

VIN PLATE DECODING INFORMATION

1	2	3	4	5	6	7	8	9	10	11	12 thru 17
WMI	WMI	WMI	Other	Model	Model	Engine, Brake	Engine, Brake	Check Digit	Model Year	Assy. Plant	Sequence No.

The following table interprets the VIN Plate position shown above.

Position	Interpretation	Codes = Description
1	World Manufacturer Identification	W = DaimlerChrysler AG
2	World Manufacturer Identification	D = Sprinter
3	World Manufacturer Identification	0 = Dodge Wagon 1 = Sprinter Cab-Chassis 2 = Sprinter Truck 3 = Sprinter Multipurpose Passenger Vehicle 8 = Dodge Multipurpose Passenger Vehicle P = Freightliner Incomplete R = Freightliner Multipurpose Passenger Vehicle W = Dodge Bus X = Dodge Incomplete Y = Freightliner Wagon
4	Chassis Configuration	B = 4X4 - Canada P = 4X2 - U.S.
5	Model, Wheelbase, GVWR	D = Combine with position 6
6	Model, Wheelbase, GVWR	1 = C2500/P2500 3000 mm 15 in. wheel 8,001 - 9000 lbs. Class G 4 = C3500 3550 mm 15 in. wheel 9,001 - 10,000 lbs. Class H 5 = C3500 4025 mm 15in. wheel 9,001 - 10,000 lbs. Class H 6 = 2500C/C2500/P2500 3567 mm 16in. wheel 8,001 - 9,000 lbs. Class G 7 = 2500C/C2500/P2500 4042 mm 16in. wheel 8,001 - 9,000 lbs. Class G 8 = 3500C 3567 mm 16in. wheel 10,001 - 14,000 lbs. Class 3 9 = 3500C 4042 mm 16 in. wheel 10,001 - 14,000 lbs. Class 3
7	Engine, Brake	4 = Combine with position 8
8	Engine, Brake	4 = 2.7L 50 State Diesel, Hydraulic Brakes
9	Check Digit	0 = Check Digit 0 = Check Digit 0 = Check Digit 0 = Check Digit 0 = Check Digit 0 = Check Digit 0 = Check Digit 0 = Check Digit
10	Model Year	5 = 2005
11	Assembly Plant	5 = Dusseldorf
12 thru 17	Vehicle Build Sequence	Model Year Assembly Sequence

Group - 2

Front Suspension & Drive

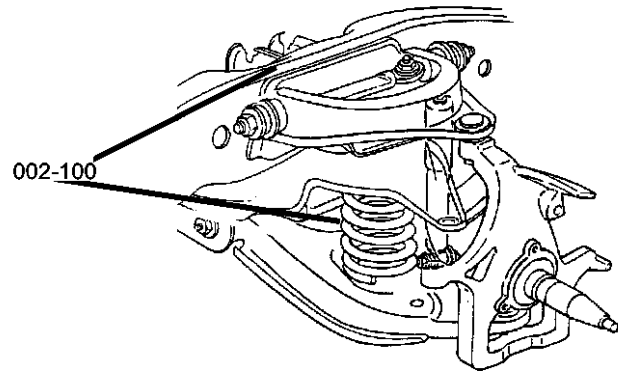
Group - 2 Front Suspension & Drive

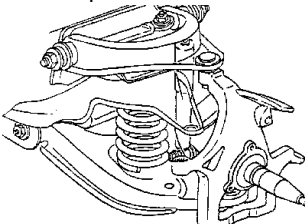
Illustration Title

Group-Fig. No.

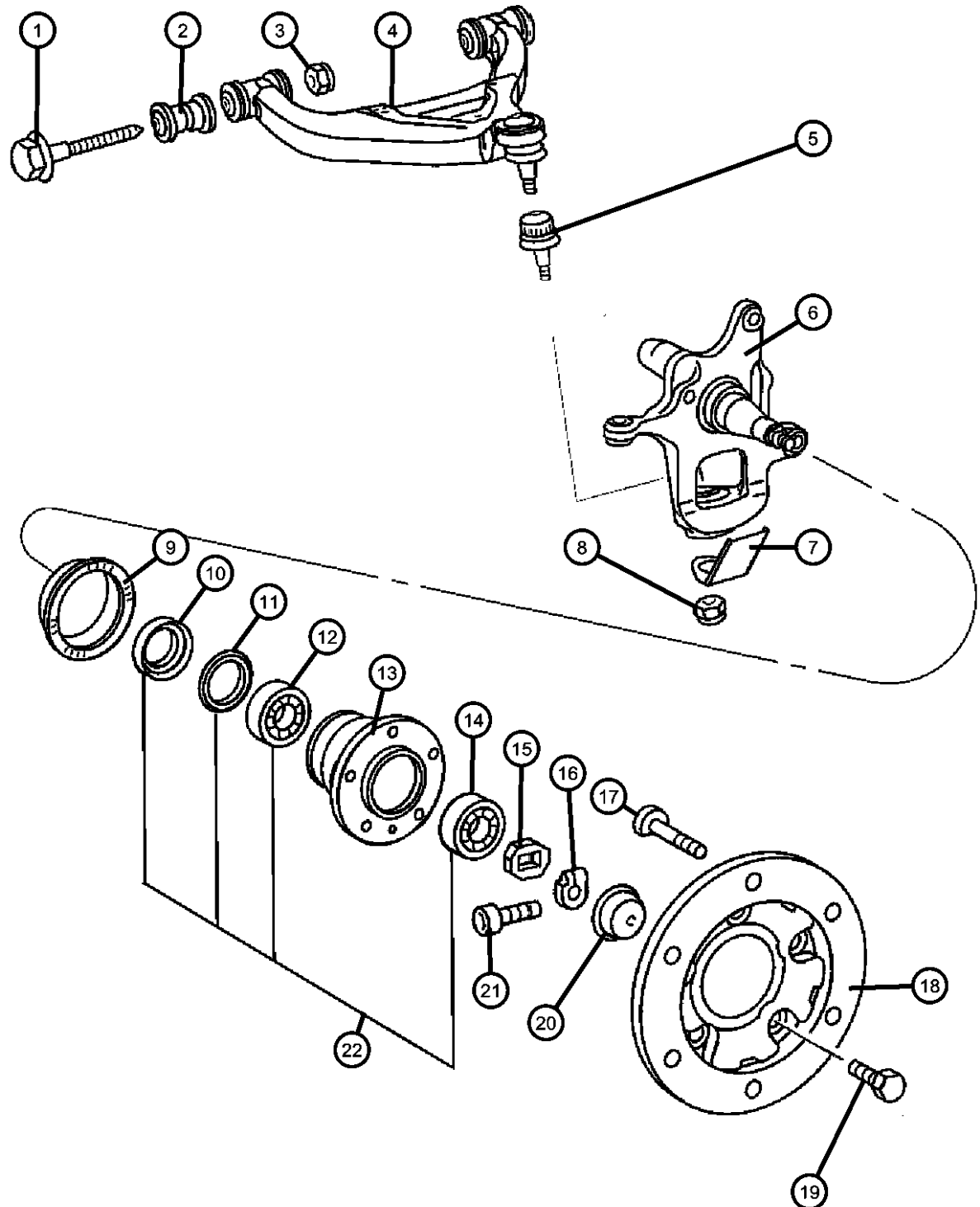
Front Suspension

Front Control Arms, Knuckles, Bearings and Hubs.....	Fig. 2 - 110
Front Shocks	Fig. 2 - 120
Front Stabilzer Bar	Fig. 2 - 130
Front Spring	Fig. 2 - 140



<p>002-100 Front Suspension</p> 			
---	--	--	--

Front Control Arms, Knuckles, Bearings and Hubs
Figure 2-110



ITEM	PART NUMBER	QTY	LINE	SERIES	BODY	ENGINE	TRANS	TRIM	DESCRIPTION
------	-------------	-----	------	--------	------	--------	-------	------	-------------

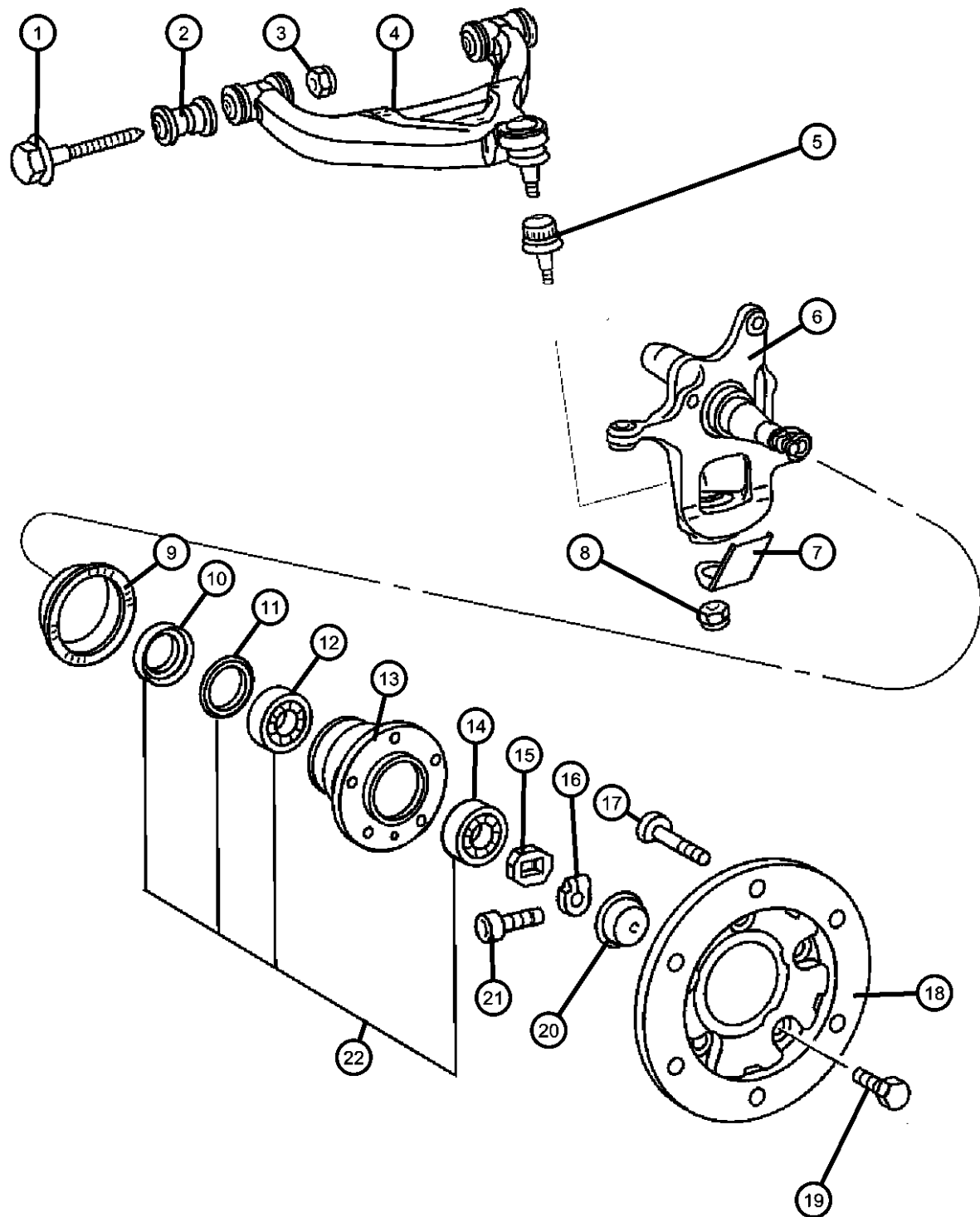
Note: Sales Codes
 Note: On Up To and From parts, you will have to refer to the Vehicle Data Card.
 [DGJ]=TRANSMISSION - 5-SPD AUTO, W5A3
 [BGK]= 4-WHEEL ANTI-LOCK

1	05133819AA	4							BOLT, Hex Head
2	05133818AA	2	2, 3, 6, 7						BUSHING, Control Arm
3									NUT
	06104719AA	2	2, 6	L	01, 02, 06				
		2	2, 6	L	11, 12, 14, 15, 16				
		2	2, 6	L	51, 52, 54, 55, 56				
		2	3, 7	L	02, 06				
		2	3, 7	L	12, 15, 16				
4									ARM, Lower Control, Front
	05104578AB	1	2, 3, 6, 7						Left
	05136057AB	1	2, 3, 6, 7						Right
5	05139559AA	2							BALL JOINT, Lower Control Arm
6									KNUCKLE, Front
	05139492AA	1	3, 7						Right
	05104579AA	1	3, 7						Left
	05135232AA	1	2, 6	L	11, 12, 14, 15, 16				Right
		1	2, 6	L	51, 52, 54, 55, 56				Right
		1	2, 6	L	01, 02, 06				Right
		1	3, 7	L	02, 06				With Special Version [504032 / 10], Right
	05135233AA	1	2, 6	L	11, 12, 14, 15, 16				Left
		1	2, 6	L	51, 52, 54, 55, 56				Left
		1	2, 6	L	01, 02, 06				Left

SPRINTER (VA)	LINE	BODY	ENGINE	TRANSMISSION
SERIES				
L = LOWLINE	3 = HD DODGE 2WD	12 = Van 140"	EX8 = Engine - 2.7L I5	DGJ = Transmission - 5-Spd Auto, MB
	8 = HD DODGE 4WD	51 = Wagon 118"	Mercedes-Benz TD	
	6 = Lt. Duty DODGE 4WD	52 = Wagon 140"		
	2 = Med. Duty DODGE 2WD	14 = Van 118"		
	7 = Med. Duty DODGE 4WD	15 = Van 140"		
	4 = TRUCK	16 = Van 158"		
		54 = Wagon 118"		
		55 = Wagon 140"		
		56 = Wagon 158"		
		01 = Chassis Forward Control		
		118"		
		02 = Chassis Forward Control		
		140"		
		06 = Front Section 158"		
		11 = Van 118"		

AR = use ase required - = Non illustrated part

Front Control Arms, Knuckles, Bearings and Hubs
Figure 2-110



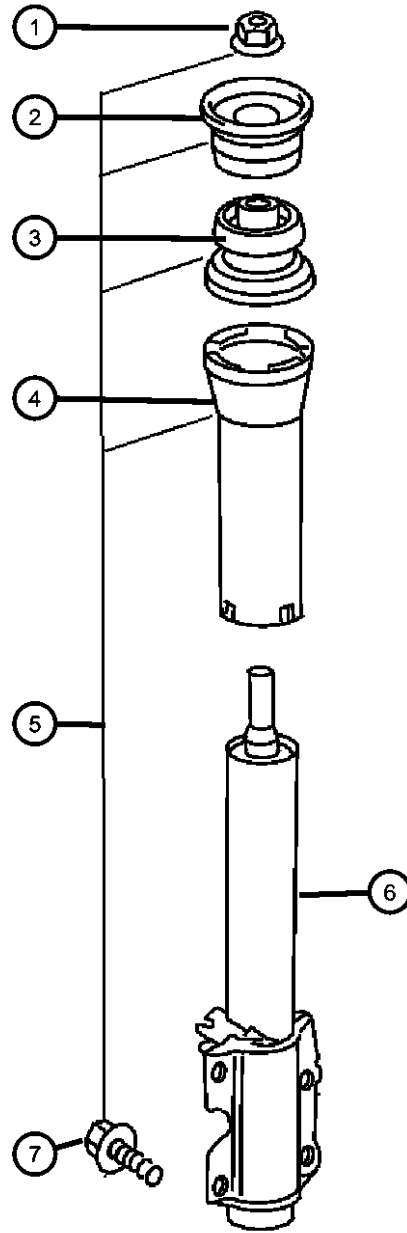
ITEM	PART NUMBER	QTY	LINE	SERIES	BODY	ENGINE	TRANS	TRIM	DESCRIPTION
		1	3, 7	L	02, 06				With Special Version [504032 / 09], Left
7	05136122AA	2							PLATE, Control Arm
8	05136123AA	1	2, 3, 6, 7						NUT, Ball Joint
9	05139358AA	2							RING, Tone
10	05103901AB	2	2, 3, 6, 7	L					SEAL, Hub
11	05139359AA	2							SEAL, Wheel Hub
12	05103779AA	2							BEARING, AxleInner
13									HUB, Front Wheel
	05139360AA	2							From Front Axle S482214/Y422060
	05104556AA	2							Up To Front Axle S482213/Y422059
14	05103869AA	2							BEARING, AxleOuter
15	05103956AA	2							WASHER, Thrust, Front
16	05097843AA	2							NUT
17	05139905AA	2	3, 7						BOLT
18	05139903AA	2	3, 7						FLANGE, Axle Output
19	06104258AA	12	3, 7	L	12, 15, 16				SCREW, Hex Flange Head
20	05103914AA	2							CAP, Wheel Hub Grease
21	05104617AA	2							SCREW
22									HUB AND BEARING PACKAGE, Kit
	05103579AA	1							From Front Axle S231916/Y245977
	05139357AA	1							Up To Front Axle S231915/Y245976

SPRINTER (VA)

SERIES	LINE	BODY	ENGINE	TRANSMISSION
L = LOWLINE	3 = HD DODGE 2WD 8 = HD DODGE 4WD 6 = Lt. Duty DODGE 4WD 2 = Med. Duty DODGE 2WD 7 = Med. Duty DODGE 4WD 4 = TRUCK	12 = Van 140" 51 = Wagon 118" 52 = Wagon 140" 14 = Van 118" 15 = Van 140" 16 = Van 158" 54 = Wagon 118" 55 = Wagon 140" 56 = Wagon 158" 01 = Chassis Forward Control 118" 02 = Chassis Forward Control 140" 06 = Front Section 158" 11 = Van 118"	EX8 = Engine - 2.7L I5 Mercedes-Benz TD	DGJ = Transmission - 5-Spd Auto, MB

AR = use ase required - = Non illustrated part

Front Shocks
Figure 2-120



ITEM	PART NUMBER	QTY	LINE	SERIES	BODY	ENGINE	TRANS	TRIM	DESCRIPTION
------	-------------	-----	------	--------	------	--------	-------	------	-------------

Note: Sales Codes:
[SHA]=Stabilizer Bar - Front
[3AT]=Rear Springs Weight 3.88T

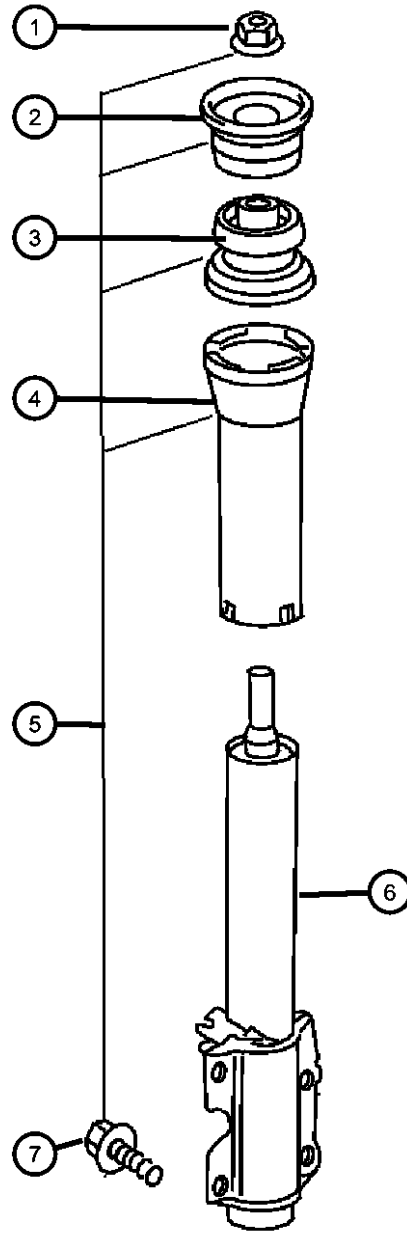
1									NUT
	05125762AA	2	2, 6	L	01, 02, 06				
		2	2, 6	L	11, 12, 14, 15, 16				
		2	2, 6	L	51, 52, 54, 55, 56				
		2	3, 7	L	02, 06				
		2	3, 7	L	12, 15, 16				
2									BUSHING, Shock Absorber
	05118718AA	2	2, 6	L	01, 02, 06				
		2	2, 6	L	11, 12, 14, 15, 16				
		2	2, 6	L	51, 52, 54, 55, 56				
		2	3, 7	L	02, 06				
		2	3, 7	L	12, 15, 16				
3									BUSHING, Shock Absorber
	05118722AA	2	2, 6	L	01, 02, 06				
		2	2, 6	L	11, 12, 14, 15, 16				
		2	2, 6	L	51, 52, 54, 55, 56				
		2	3, 7	L	02, 06				
		2	3, 7	L	12, 15, 16				
4									SHIELD, Shock Absorber Dust
	05118728AA	2	2, 6	L	01, 02, 06				
		2	2, 6	L	11, 12, 14, 15, 16				
		2	2, 6	L	51, 52, 54, 55, 56				
		2	3, 7	L	02, 06				

SPRINTER (VA)

SERIES	LINE	BODY	ENGINE	TRANSMISSION
L = LOWLINE	3 = HD DODGE 2WD	12 = Van 140"	EX8 = Engine - 2.7L I5	DGJ = Transmission - 5-Spd Auto, MB
	8 = HD DODGE 4WD	51 = Wagon 118"	Mercedes-Benz TD	
	6 = Lt. Duty DODGE 4WD	52 = Wagon 140"		
	2 = Med. Duty DODGE 2WD	14 = Van 118"		
	7 = Med. Duty DODGE 4WD	15 = Van 140"		
	4 = TRUCK	16 = Van 158"		
		54 = Wagon 118"		
		55 = Wagon 140"		
		56 = Wagon 158"		
		01 = Chassis Forward Control 118"		
		02 = Chassis Forward Control 140"		
		06 = Front Section 158"		
		11 = Van 118"		

AR = use ase required - = Non illustrated part

Front Shocks
Figure 2-120



ITEM	PART NUMBER	QTY	LINE	SERIES	BODY	ENGINE	TRANS	TRIM	DESCRIPTION
5		2	3, 7	L	12, 15, 16				PARTS KIT, Shock
	05133869AA	2	2, 6	L	01, 02, 06				
		2	2, 6	L	11, 12, 14, 15, 16				
		2	2, 6	L	51, 52, 54, 55, 56				
		2	3, 7	L	02, 06				ABSORBER, Shock
6		2	3, 7	L	12, 15, 16				
	05104063AA	2	2, 6	L					
	05128502AA	1	3, 7	L	12, 15, 16				
	05139548AA	2	2, 6						[3AT,SHA]
7	05125699AA	8							SCREW, Strut to Knuckle, Mounting

SPRINTER (VA)

SERIES

L = LOWLINE

LINE

3 = HD DODGE 2WD
 8 = HD DODGE 4WD
 6 = Lt. Duty DODGE 4WD
 2 = Med. Duty DODGE 2WD
 7 = Med. Duty DODGE 4WD
 4 = TRUCK

BODY

12 = Van 140"
 51 = Wagon 118"
 52 = Wagon 140"
 14 = Van 118"
 15 = Van 140"
 16 = Van 158"
 54 = Wagon 118"
 55 = Wagon 140"
 56 = Wagon 158"
 01 = Chassis Forward Control 118"
 02 = Chassis Forward Control 140"
 06 = Front Section 158"
 11 = Van 118"

ENGINE

EX8 = Engine - 2.7L I5
 Mercedes-Benz TD

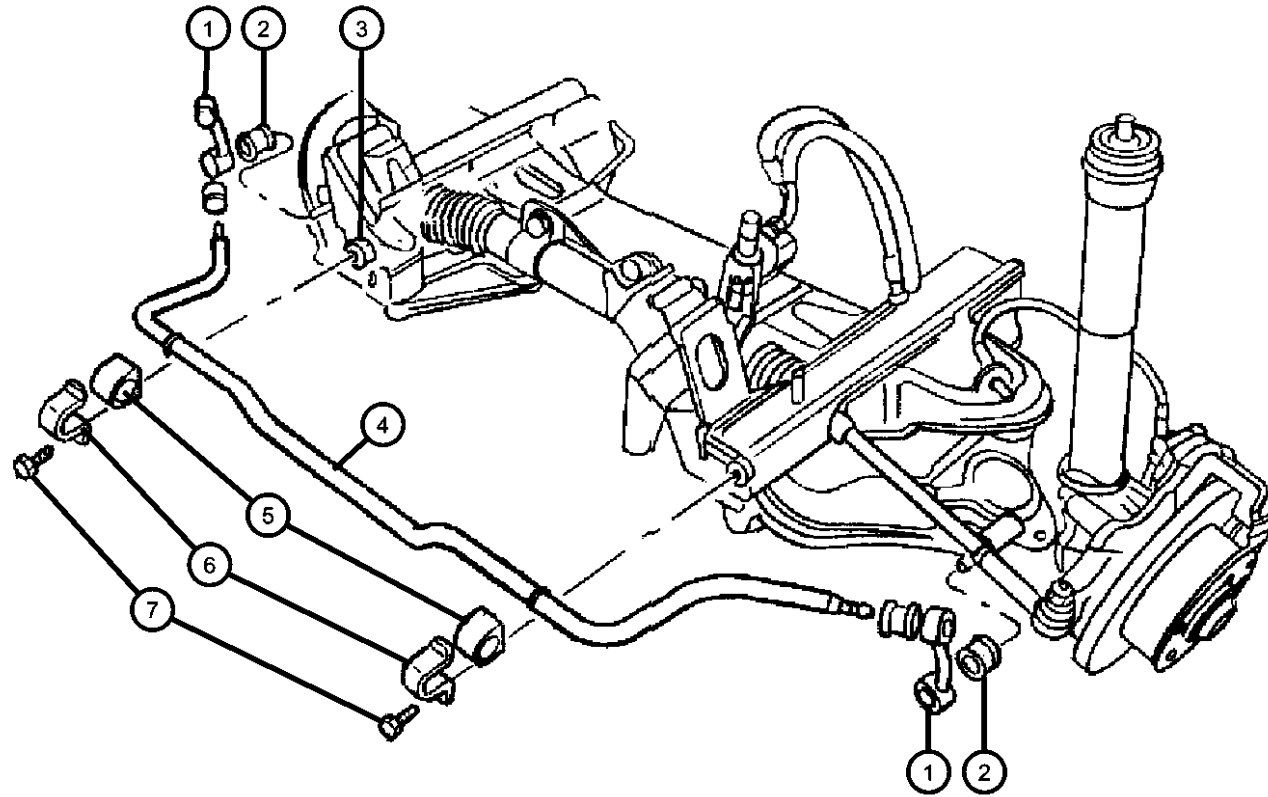
TRANSMISSION

DGJ = Transmission - 5-Spd Auto, MB

AR = use ase required - = Non illustrated part

2005 VA

**Front Stabilizer Bar
Figure 2-130**



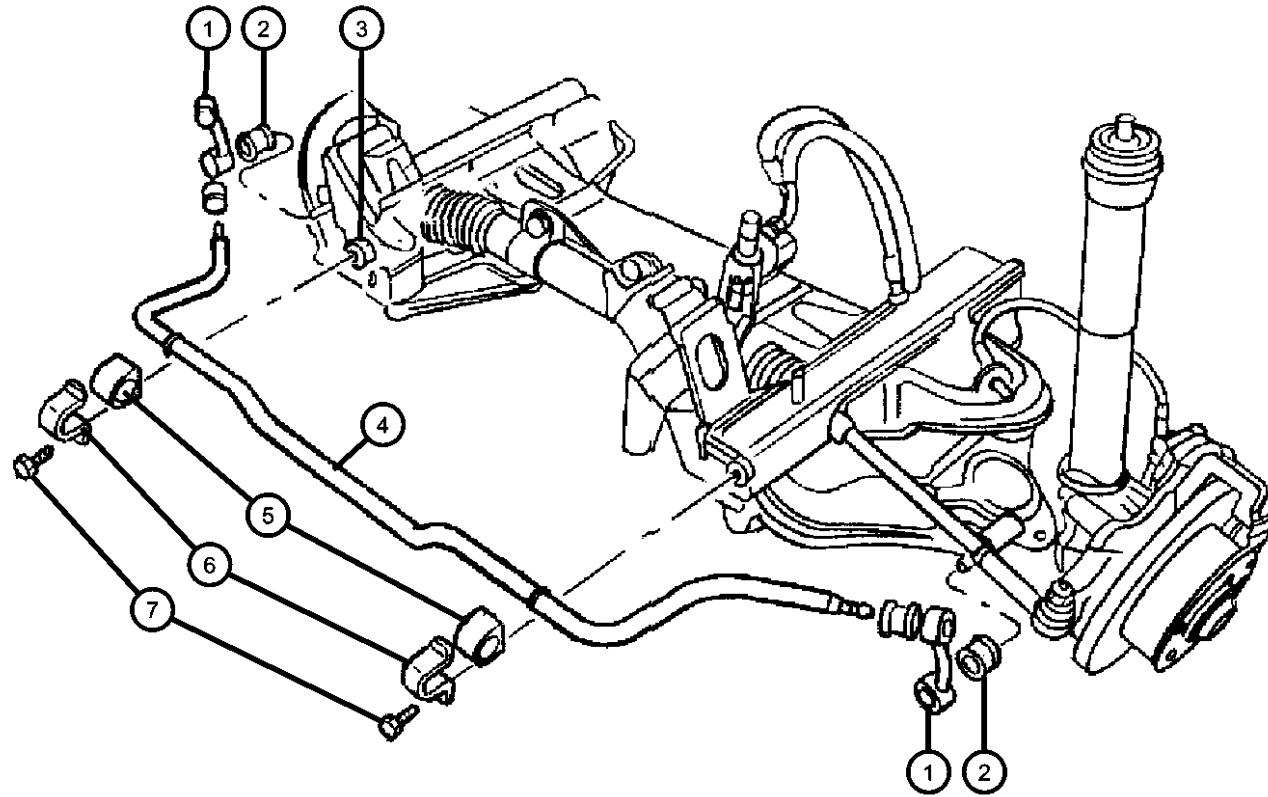
ITEM	PART NUMBER	QTY	LINE	SERIES	BODY	ENGINE	TRANS	TRIM	DESCRIPTION
Note; Sales Codes: [SHA]=Stabilizer Bar-Front [SHB]= [SHJ]= [XXX]=Tires - 215/75 R16C									
1									LINK, Stabilizer Bar
	05104059AA	1	2, 6	L	01, 02, 06				Left
		1	2, 6	L	11, 12, 14, 15, 16				Left
		1	2, 6	L	51, 52, 54, 55, 56				Left
		1	3, 7	L	02, 06				Left
		1	3, 7	L	12, 15, 16				Left
	05104060AA	1	2, 6	L	01, 02, 06				Right
		1	2, 6	L	11, 12, 14, 15, 16				Right
		1	2, 6	L	51, 52, 54, 55, 56				Right
		1	3, 7	L	02, 06				Right
		1	3, 7	L	12, 15, 16				Right
2									BUSHING
	05104066AA	4	2, 6	L	01, 02, 06				
		4	2, 6	L	11, 12, 14, 15, 16				
		4	2, 6	L	51, 52, 54, 55, 56				
		4	3, 7	L	02, 06				
		4	3, 7	L	12, 15, 16				
3									NUT
	05104677AA	2	3, 7	L	12, 15, 16				
		2	2, 6	L	01, 02, 06				
		2	2, 6	L	11, 12, 14, 15, 16				

SPRINTER (VA)

SERIES	LINE	BODY	ENGINE	TRANSMISSION
L = LOWLINE	3 = HD DODGE 2WD 8 = HD DODGE 4WD 6 = Lt. Duty DODGE 4WD 2 = Med. Duty DODGE 2WD 7 = Med. Duty DODGE 4WD 4 = TRUCK	12 = Van 140" 51 = Wagon 118" 52 = Wagon 140" 14 = Van 118" 15 = Van 140" 16 = Van 158" 54 = Wagon 118" 55 = Wagon 140" 56 = Wagon 158"	EX8 = Engine - 2.7L I5 Mercedes-Benz TD	DGJ = Transmission - 5-Spd Auto, MB
		01 = Chassis Forward Control 118" 02 = Chassis Forward Control 140" 06 = Front Section 158" 11 = Van 118"		

AR = use ase required - = Non illustrated part

Front Stabilizer Bar
Figure 2-130



ITEM	PART NUMBER	QTY	LINE	SERIES	BODY	ENGINE	TRANS	TRIM	DESCRIPTION
		2	2, 6	L	51, 52, 54, 55, 56				
		2	3, 7	L	02, 06				
4									BAR, Front Sway
	05128572AA	1	2, 6	L	51, 52, 54, 55, 56				[SHJ]
	05104576AA	1	2, 6	L	01, 02, 06				[SHA]
		1	2, 6	L	11, 12, 14, 15, 16				[SHA]
		1	2, 6	L	51, 52, 54, 55, 56				[SHA]
		1	3, 7	L	02, 06				[SHJ]
		1	3, 7	L	12, 15, 16				[SHJ]
	05127272AA	1	2, 6	L	11, 12, 14, 15, 16				[SHB]
		1	2, 6	L	01, 02, 06				[SHJ]
		1	2, 6	L	11, 12, 14, 15, 16				[SHJ]
5									BUSHING, Stabilizer Bar
	05104577AA	2	2, 6	L	01, 02, 06				
		2	2, 6	L	11, 12, 14, 15, 16				
		2	2, 6	L	51, 52, 54, 55, 56				
		2	3, 7	L	02, 06				
		2	3, 7	L	12, 15, 16				
6									RETAINER, Stabilizer Bar Grommet
	05104067AA	2	2, 6	L	01, 02, 06				[SHA,SHJ]
		2	2, 6	L	11, 12, 14, 15, 16				[SHA,SHJ]
		2	2, 6	L	51, 52, 54, 55, 56				[SHA,SHJ]
		2	3, 7	L	02, 06				[SHJ]

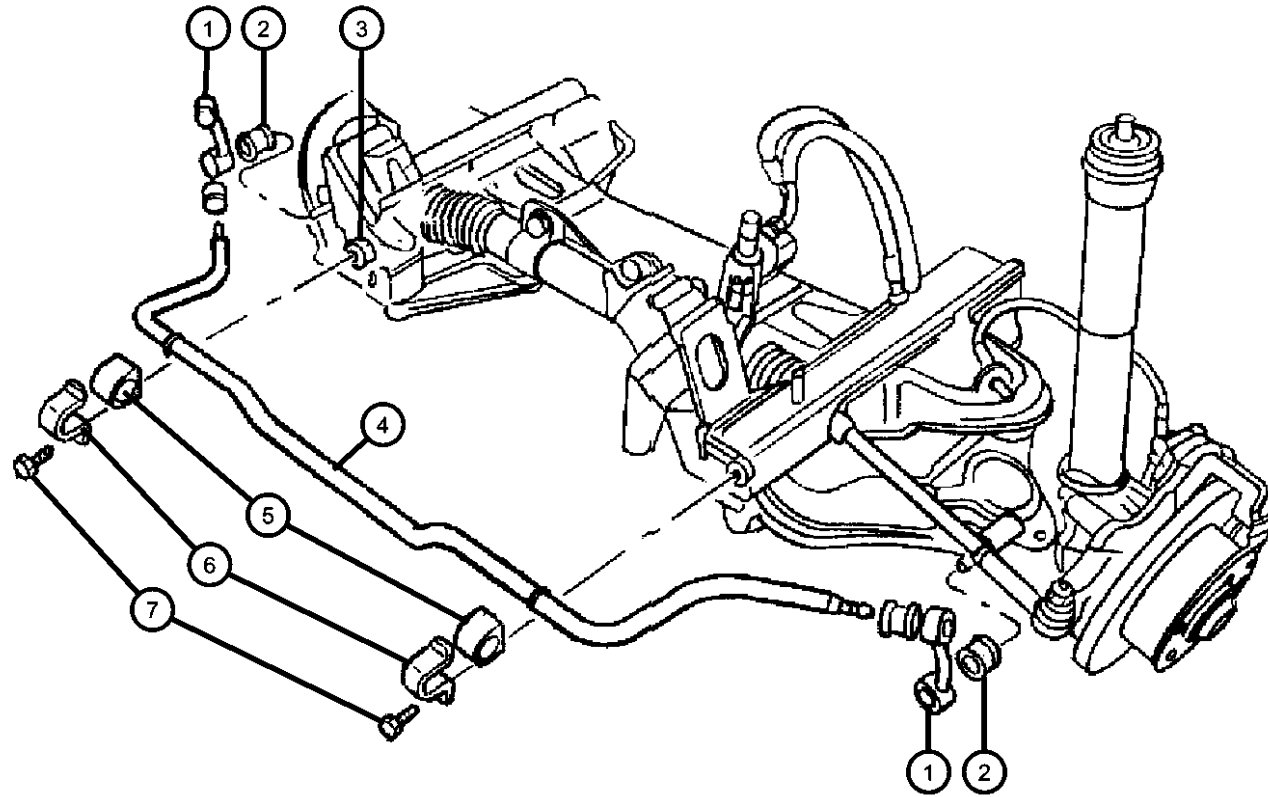
SPRINTER (VA)

SERIES	LINE	BODY	ENGINE	TRANSMISSION
L = LOWLINE	3 = HD DODGE 2WD 8 = HD DODGE 4WD 6 = Lt. Duty DODGE 4WD 2 = Med. Duty DODGE 2WD 7 = Med. Duty DODGE 4WD 4 = TRUCK	12 = Van 140" 51 = Wagon 118" 52 = Wagon 140" 14 = Van 118" 15 = Van 140" 16 = Van 158" 54 = Wagon 118" 55 = Wagon 140" 56 = Wagon 158" 01 = Chassis Forward Control 118" 02 = Chassis Forward Control 140" 06 = Front Section 158" 11 = Van 118"	EX8 = Engine - 2.7L I5 Mercedes-Benz TD	DGJ = Transmission - 5-Spd Auto, MB

AR = use ase required - = Non illustrated part

Front Stabilizer Bar
Figure 2-130

ITEM	PART NUMBER	QTY	LINE	SERIES	BODY	ENGINE	TRANS	TRIM	DESCRIPTION
		2	3, 7	L	12, 15, 16				[SHJ]
	05127274AA	2	2, 6	L	11, 12, 14, 15, 16				[SHB]
7									BOLT
	05104656AA	2	7, 3	L	02, 06				
		2	3, 7	L	12, 15, 16				
		2	2, 6	L	01, 02, 06				
		2	2, 6	L	11, 12, 14, 15, 16				
		2	2, 6	L	51, 52, 54, 55, 56				

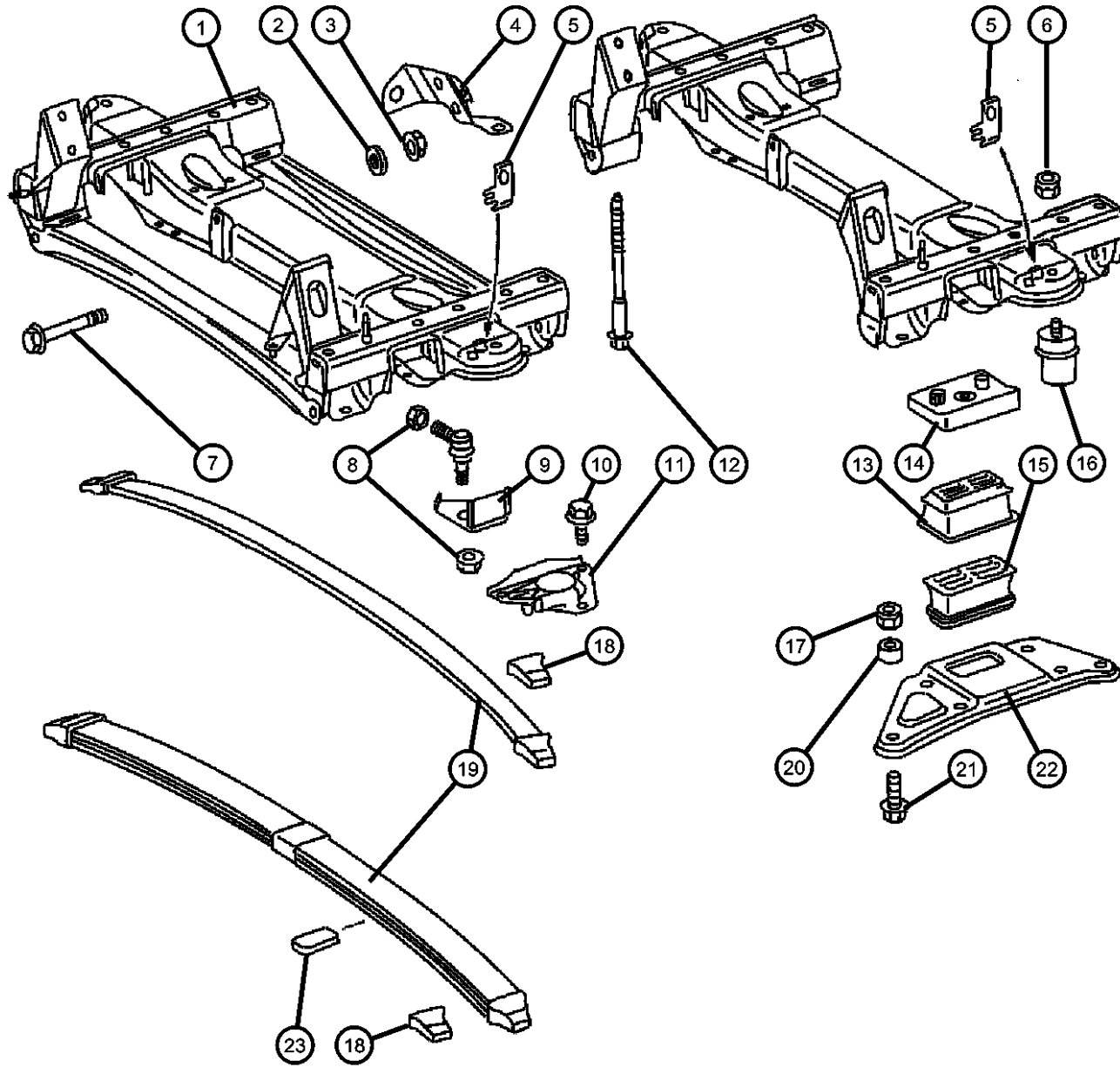


SPRINTER (VA)

SERIES	LINE	BODY	ENGINE	TRANSMISSION
L = LOWLINE	3 = HD DODGE 2WD 8 = HD DODGE 4WD 6 = Lt. Duty DODGE 4WD 2 = Med. Duty DODGE 2WD 7 = Med. Duty DODGE 4WD 4 = TRUCK	12 = Van 140" 51 = Wagon 118" 52 = Wagon 140" 14 = Van 118" 15 = Van 140" 16 = Van 158" 54 = Wagon 118" 55 = Wagon 140" 56 = Wagon 158" 01 = Chassis Forward Control 118" 02 = Chassis Forward Control 140" 06 = Front Section 158" 11 = Van 118"	EX8 = Engine - 2.7L I5 Mercedes-Benz TD	DGJ = Transmission - 5-Spd Auto, MB

AR = use ase required - = Non illustrated part

Front Spring
Figure 2-140



ITEM	PART NUMBER	QTY	LINE	SERIES	BODY	ENGINE	TRANS	TRIM	DESCRIPTION
------	-------------	-----	------	--------	------	--------	-------	------	-------------

Note: Sales Codes
 Note: On Up To and From parts, you will have to refer to the Vehicle Data Card.
 Note: On SV#s [Special Version codes], refer to the Vehicle Data Card.

1	05104074AA	1	2, 6						CROSSMEMBER, Front Axle With Special Version Number [500021 / 03]
	05139740AA	1							With Special Version Number [500021 / 02]
2	05139740AA	1							WASHER, (NOT SERVICED),
3									NUT
	06104718AA	2	2, 6	L	01, 02, 06				
		2	2, 6	L	11, 12, 14, 15, 16				
		2	3, 7	L	02, 06				
		2	3, 7	L	12, 15, 16				
		2	2, 6	L	51, 52, 54, 55, 56				
4	05119553AA	1							BRACKET, Steering Gear
5	05119553AA	1							BRACKET, (NOT SERVICED)
6									NUT
	05132896AA	6	2, 6	L	11, 12, 14, 15, 16				
		6	6, 2	L	51, 52, 54, 55, 56				
7	05125714AA	4							SCREW
8									NUT
	05125761AA	2	2, 6	L	01, 02, 06				
		2	2, 6	L	11, 12, 14, 15, 16				
		2	2, 6	L	51, 52, 54, 55, 56				
9									PLATE, Backing
	05119249AA	2	2, 6	L	51, 52, 54, 55, 56				

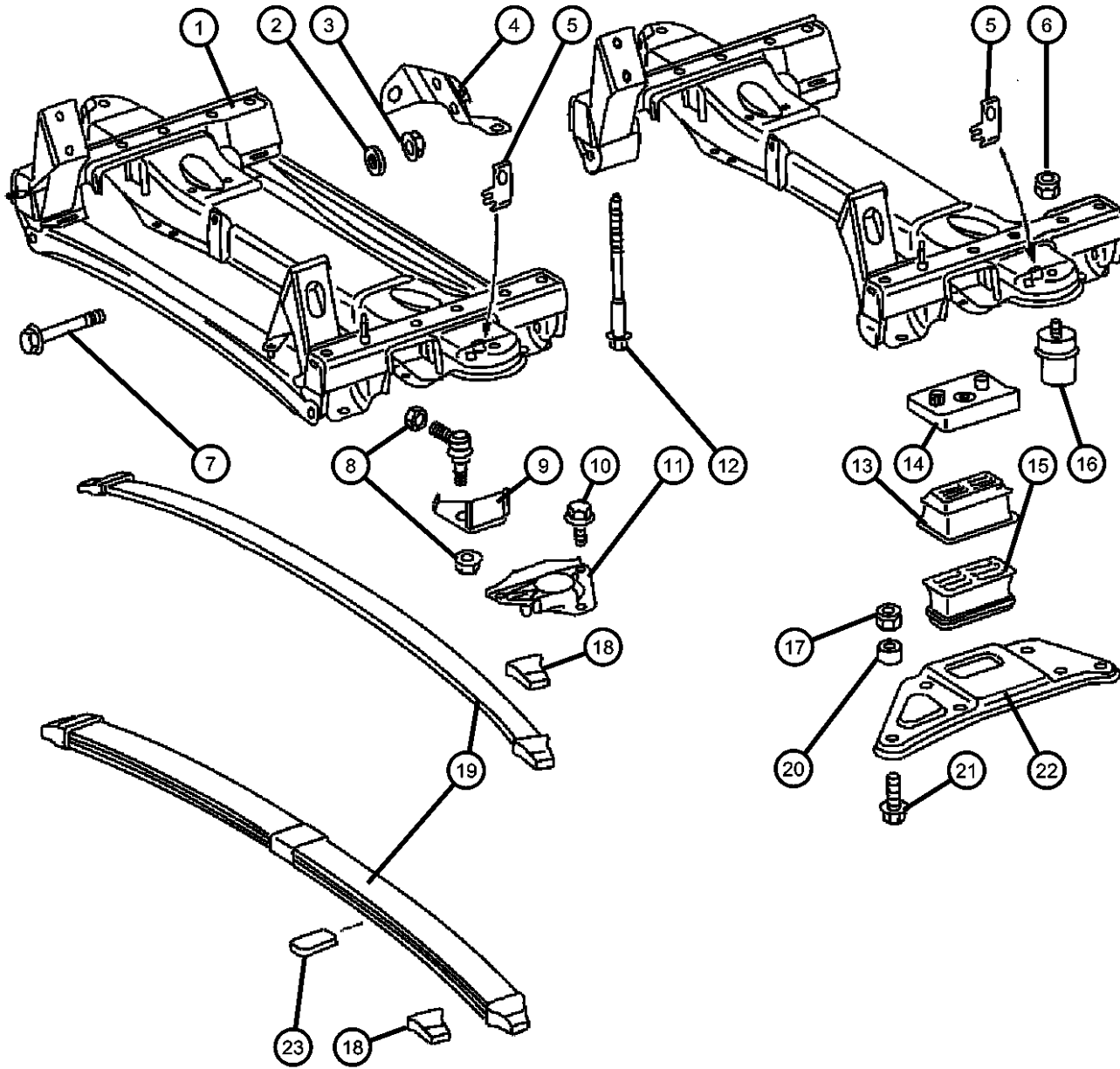
SPRINTER (VA)

SERIES	LINE	BODY	ENGINE	TRANSMISSION
L = LOWLINE	3 = HD DODGE 2WD 8 = HD DODGE 4WD 6 = Lt. Duty DODGE 4WD 2 = Med. Duty DODGE 2WD 7 = Med. Duty DODGE 4WD 4 = TRUCK	12 = Van 140" 51 = Wagon 118" 52 = Wagon 140" 14 = Van 118" 15 = Van 140" 16 = Van 158" 54 = Wagon 118" 55 = Wagon 140" 56 = Wagon 158" 01 = Chassis Forward Control 118" 02 = Chassis Forward Control 140" 06 = Front Section 158" 11 = Van 118"	EX8 = Engine - 2.7L I5 Mercedes-Benz TD	DGJ = Transmission - 5-Spd Auto, MB

AR = use ase required - = Non illustrated part

2005 VA

Front Spring
Figure 2-140



ITEM	PART NUMBER	QTY	LINE	SERIES	BODY	ENGINE	TRANS	TRIM	DESCRIPTION
		2	2, 6	L	01, 02, 06				
		2	2, 6	L	11, 12, 14, 15, 16				
10	05126233AA	6	2, 6	L	01, 02, 06				BOLT
		6	2, 6	L	11, 12, 14, 15, 16				
		6	2, 6	L	51, 52, 54, 55, 56				
11	05104064AA	1	2, 6	L	01, 02, 06				PLATE, Stabilizer Bar
		1	2, 6	L	11, 12, 14, 15, 16				Right
		1	2, 6	L	51, 52, 54, 55, 56				Right
		1	3, 7	L	02, 06				Right
	05118705AA	1	3, 7	L	12, 15, 16				Right
	05118707AA	2	3, 7						Right or Left
		1	2, 6	L	01, 02, 06				Left
		1	6, 2	L	11, 12, 14, 15, 16				Left
		1	2, 6	L	51, 52, 54, 55, 56				Left
		1	3, 7	L	02, 06				Left
		1	3, 7	L	12, 15, 16				Left
12	05125725AA	8	2, 6	L	01, 02, 06				SCREW AND WASHER, Hex
		8	2, 6	L	11, 12, 14, 15, 16				
		8	2, 6	L	51, 52, 54, 55, 56				
	05125726AA	8	3, 7	L	02, 06				
		8	3, 7	L	12, 15, 16				

SPRINTER (VA)

SERIES

L = LOWLINE

LINE

3 = HD DODGE 2WD
 8 = HD DODGE 4WD
 6 = Lt. Duty DODGE 4WD
 2 = Med. Duty DODGE 2WD
 7 = Med. Duty DODGE 4WD
 4 = TRUCK

BODY

12 = Van 140"
 51 = Wagon 118"
 52 = Wagon 140"
 14 = Van 118"
 15 = Van 140"
 16 = Van 158"
 54 = Wagon 118"
 55 = Wagon 140"
 56 = Wagon 158"
 01 = Chassis Forward Control 118"
 02 = Chassis Forward Control 140"
 06 = Front Section 158"
 11 = Van 118"

ENGINE

EX8 = Engine - 2.7L I5
 Mercedes-Benz TD

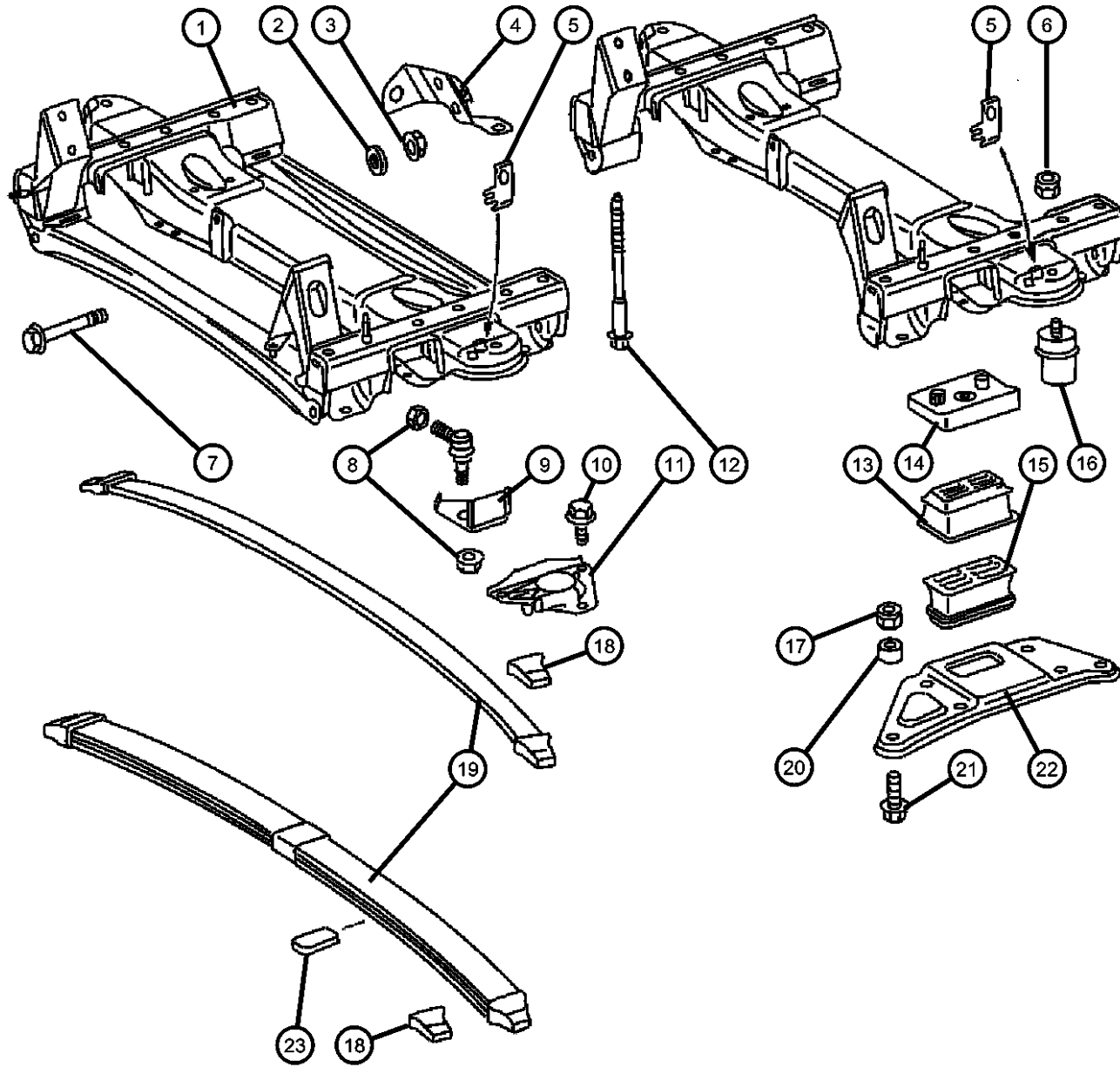
TRANSMISSION

DGJ = Transmission - 5-Spd Auto, MB

AR = use ase required - = Non illustrated part

2005 VA

Front Spring
Figure 2-140



ITEM	PART NUMBER	QTY	LINE	SERIES	BODY	ENGINE	TRANS	TRIM	DESCRIPTION
13	05139190AB	2							SEAT, Spring To Frame With SV#500323/03
	05139558AA	2							To Frame With SV#500323/02
14	05139552AA	1							SHIM, Spring Seat Left
	05139554AA	1							Right
15	05139188AA	1							SEAT, Spring Left
	05139189AA	1							Right
16	05139555AA	2							BUMPER, Suspension Jounce
17	06104717AA	2	2, 6	L	01, 02, 06				NUT M10x1.5
		2	2, 6	L	11, 12, 14, 15, 16				M10x1.5
		2	2, 6	L	51, 52, 54, 55, 56				M10x1.5
	06104718AA	2	2, 6	L	01, 02, 06				M12x1.5
		2	3, 7	L	02, 06				M10x1.5
		2	3, 7	L	12, 15, 16				M10x1.5
		2	2, 6	L	51, 52, 54, 55, 56				M12x1.5
		2	2, 6	L	11, 12, 14, 15, 16				M12x1.5
		2	3, 7	L	02, 06				M12x1.5
		2	3, 7	L	12, 15, 16				M12x1.5
18	05139556AA	2							SEAT, Spring
19	05139112AA	1							SPRING, Front Leaf
20	05139737AA	4							BUSHING, Spring
21	06104233AA	4							BOLT, Hex Head
22									PLATE, Suspension

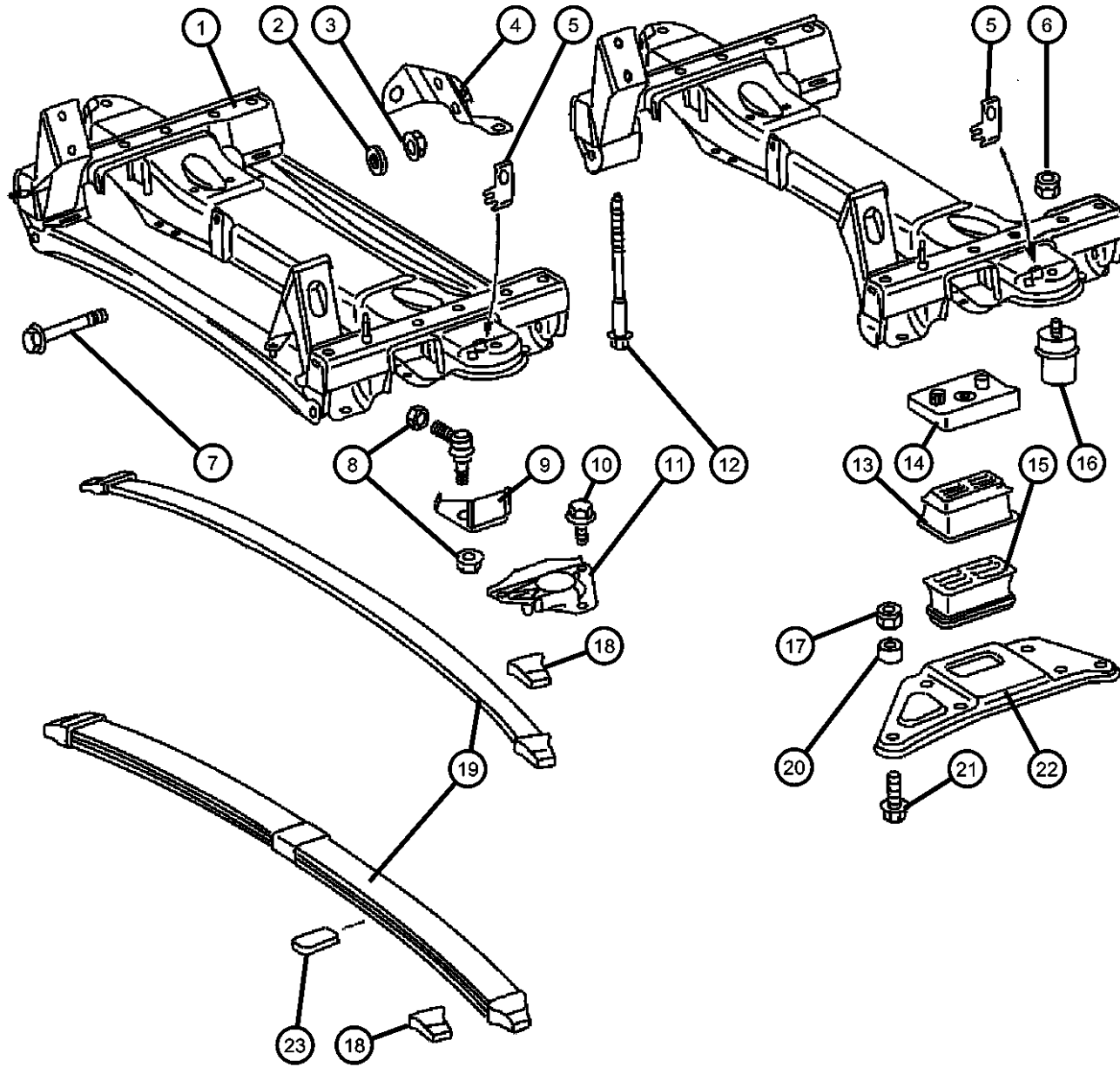
SPRINTER (VA)

SERIES	LINE	BODY	ENGINE	TRANSMISSION
L = LOWLINE	3 = HD DODGE 2WD 8 = HD DODGE 4WD 6 = Lt. Duty DODGE 4WD 2 = Med. Duty DODGE 2WD 7 = Med. Duty DODGE 4WD 4 = TRUCK	12 = Van 140" 51 = Wagon 118" 52 = Wagon 140" 14 = Van 118" 15 = Van 140" 16 = Van 158" 54 = Wagon 118" 55 = Wagon 140" 56 = Wagon 158" 01 = Chassis Forward Control 118" 02 = Chassis Forward Control 140" 06 = Front Section 158" 11 = Van 118"	EX8 = Engine - 2.7L I5 Mercedes-Benz TD	DGJ = Transmission - 5-Spd Auto, MB

AR = use ase required - = Non illustrated part

2005 VA

Front Spring
Figure 2-140



ITEM	PART NUMBER	QTY	LINE	SERIES	BODY	ENGINE	TRANS	TRIM	DESCRIPTION
	05139186AA	1							Left
	05139187AA	1							Right
23	05139187AA	1							SHIM, (NOT SERVICED)

SPRINTER (VA)

SERIES	LINE	BODY	ENGINE	TRANSMISSION
L = LOWLINE	3 = HD DODGE 2WD 8 = HD DODGE 4WD 6 = Lt. Duty DODGE 4WD 2 = Med. Duty DODGE 2WD 7 = Med. Duty DODGE 4WD 4 = TRUCK	12 = Van 140" 51 = Wagon 118" 52 = Wagon 140" 14 = Van 118" 15 = Van 140" 16 = Van 158" 54 = Wagon 118" 55 = Wagon 140" 56 = Wagon 158"	EX8 = Engine - 2.7L I5 Mercedes-Benz TD	DGJ = Transmission - 5-Spd Auto, MB
		01 = Chassis Forward Control 118" 02 = Chassis Forward Control 140" 06 = Front Section 158" 11 = Van 118"		

AR = use ase required - = Non illustrated part

Group - 3

Rear Axle

Group - 3 Rear Axle

Group-Fig. No.

Illustration Title

Rear Axle

Differential Assembly,Rear Fig. 3 - 110

Differential and Housing

Internal Differential Parts,Rear Fig. 3 - 210

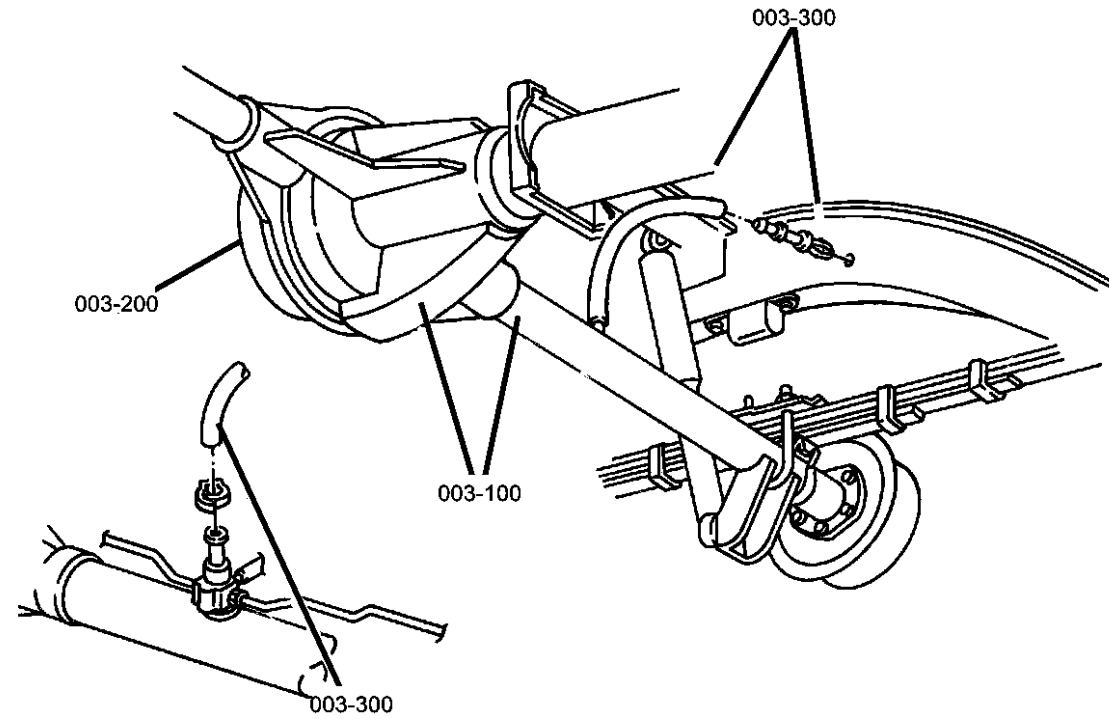
Differential Housing,Rear Fig. 3 - 220

Axle Shaft and Wheel Bearings,Single Rear Wheels Fig. 3 - 230

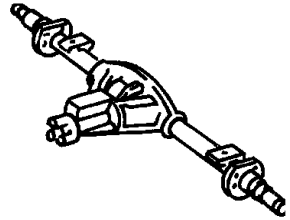
Axle Shaft and Wheel Bearings,Dual Rear Wheels Fig. 3 - 240

Rear Axle Vent

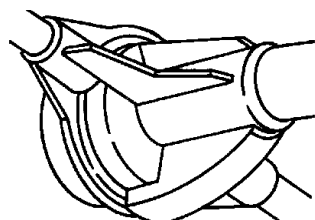
Vent,Rear Axle Fig. 3 - 310



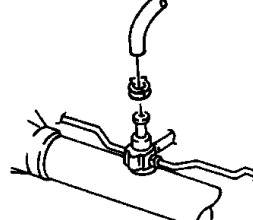
003-100
Rear Axle



003-200
Differential and Housing



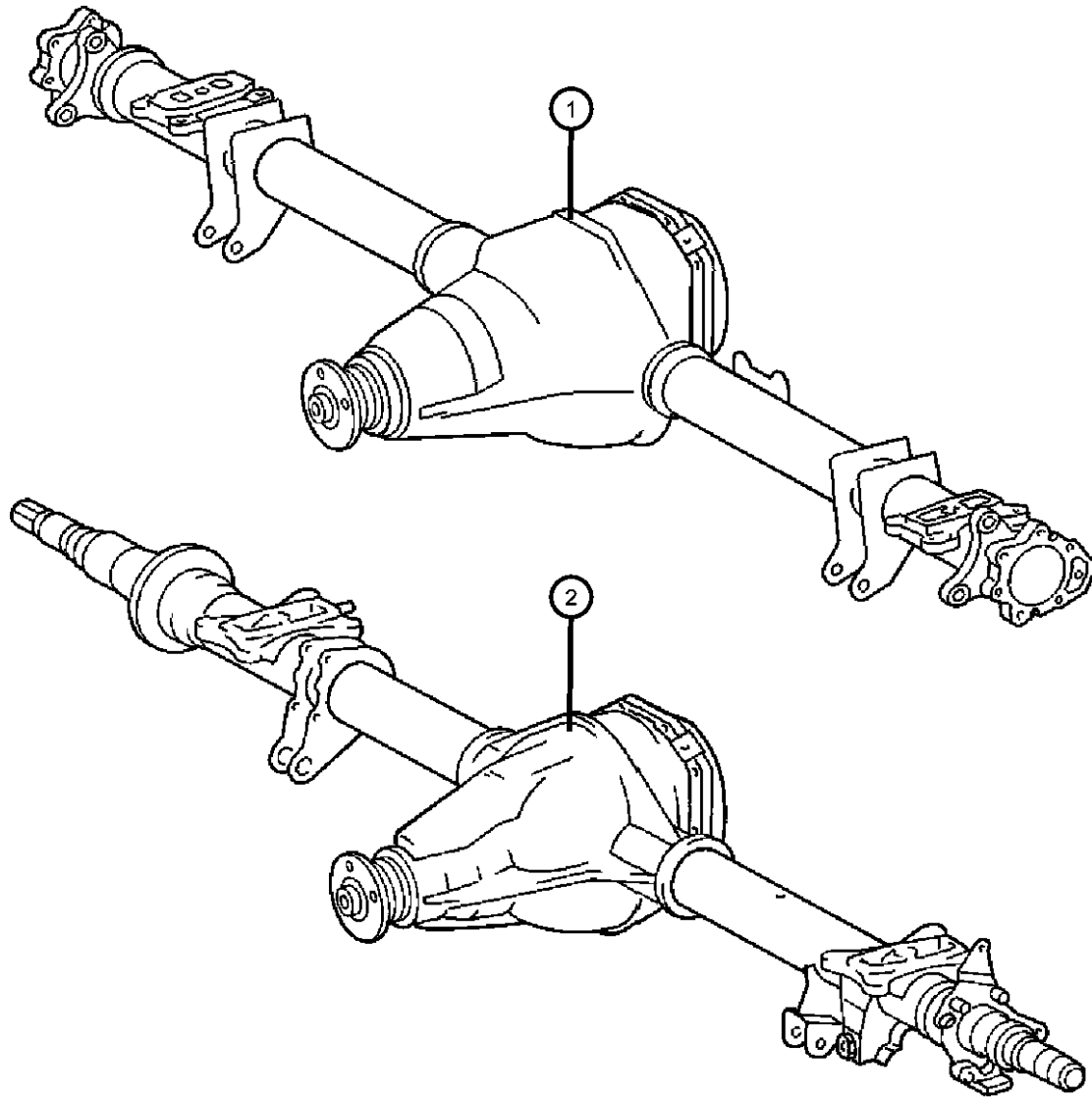
003-300
Rear Axle Vent



Differential Assembly,Rear
Figure 3-110

ITEM	PART NUMBER	QTY	LINE	SERIES	BODY	ENGINE	TRANS	TRIM	DESCRIPTION
------	-------------	-----	------	--------	------	--------	-------	------	-------------

Note: Sales Codes:
 DRW means Dual Rear Wheels
 SRW means Single Rear Wheels
 [BGK]=4-WHEEL ANTI-LOCK BRAKES
 [DME]=Axle Ratio - 3.72
 [DMF]=Axle Ratio - 4.11
 [4JR]=Dual Rear Wheel Chassis With/16" TIRES



1	05137591AA	1	2, 6						AXLE, Service Rear [DMF,BGK] SRW
	05136033AA								Mopar SAE 90 Gear Lube Quart for Sprinter Axles
	05137755AA	1	2, 6	L					[DME,BGK] SRW
	05136033AA								Mopar SAE 90 Gear Lube Quart for Sprinter Axles
2	05135823AA	1	3, 7	L	12, 15, 16				AXLE, Service Rear [DME,BGK] With 15 Inch DRW
	05136033AA								Mopar SAE 90 Gear Lube Quart for Sprinter Axles
	05135928AA	1	3, 7	L					[DMF,BGK] With 15 Inch DRW
	05136033AA								Mopar SAE 90 Gear Lube Quart for Sprinter Axles
	05140855AB	1	3, 7	L	02, 06				[DMF,BGK.4JR] With 16 Inch DRW
		1	3, 7	L	12, 15, 16				[DMF,BGK.4JR] With 16 Inch DRW
	05140856AB	1	3, 7	L	02, 06				[DME,BGK.4JR] With 16 Inch DRW
	05136033AA								Mopar SAE 90 Gear Lube Quart for Sprinter Axles
		1	3, 7	L	12, 15, 16				[DME,BGK.4JR] With 16 Inch DRW
	05136033AA								Mopar SAE 90 Gear Lube Quart for Sprinter Axles

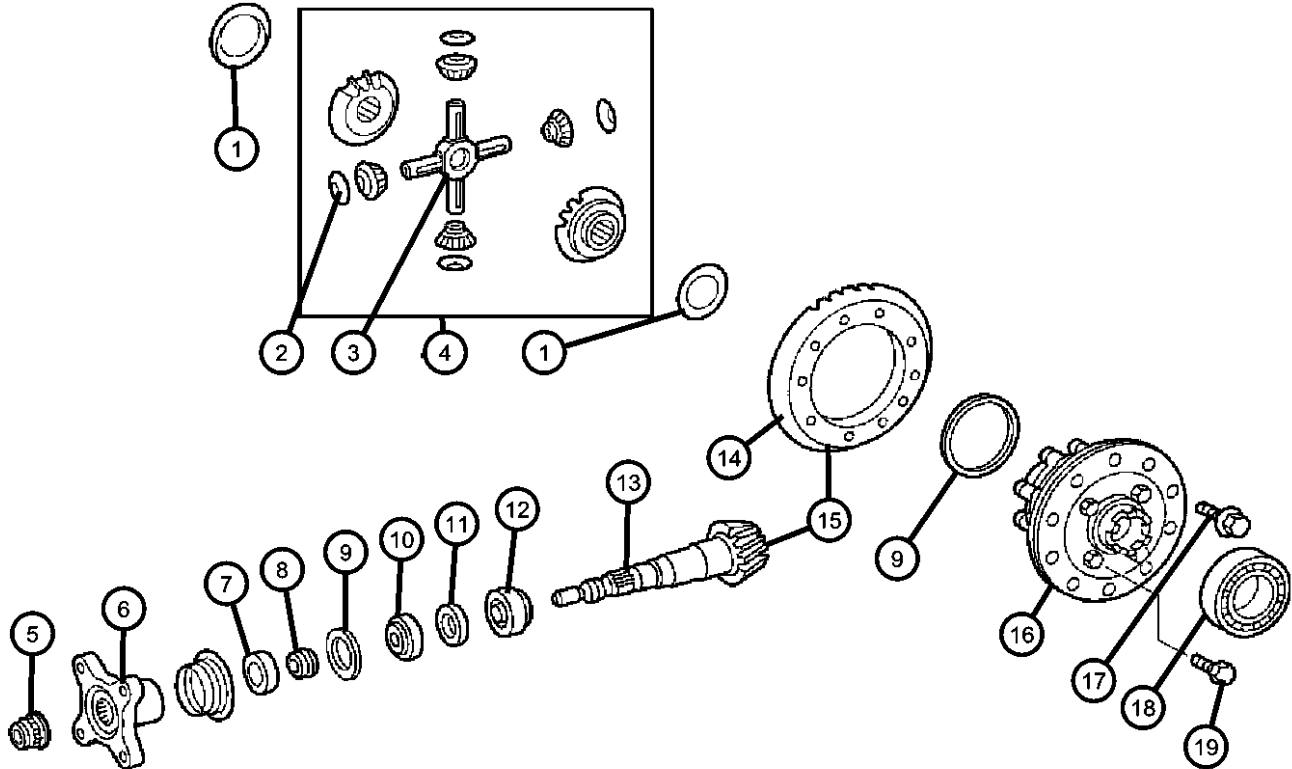
SPRINTER (VA)

SERIES	LINE	BODY	ENGINE	TRANSMISSION
L = LOWLINE	3 = HD DODGE 2WD 8 = HD DODGE 4WD 6 = Lt. Duty DODGE 4WD 2 = Med. Duty DODGE 2WD 7 = Med. Duty DODGE 4WD 4 = TRUCK	12 = Van 140" 51 = Wagon 118" 52 = Wagon 140" 14 = Van 118" 15 = Van 140" 16 = Van 158" 54 = Wagon 118" 55 = Wagon 140" 56 = Wagon 158" 01 = Chassis Forward Control 118" 02 = Chassis Forward Control 140" 06 = Front Section 158" 11 = Van 118"	EX8 = Engine - 2.7L I5 Mercedes-Benz TD	DGJ = Transmission - 5-Spd Auto, MB

AR = use ase required - = Non illustrated part

2005 VA

Internal Differential Parts,Rear
Figure 3-210



ITEM	PART NUMBER	QTY	LINE	SERIES	BODY	ENGINE	TRANS	TRIM	DESCRIPTION
------	-------------	-----	------	--------	------	--------	-------	------	-------------

Note:Sales Codes
[DME]=3.72 Axle Ratio
[DMF]=4.10 Axle Ratio

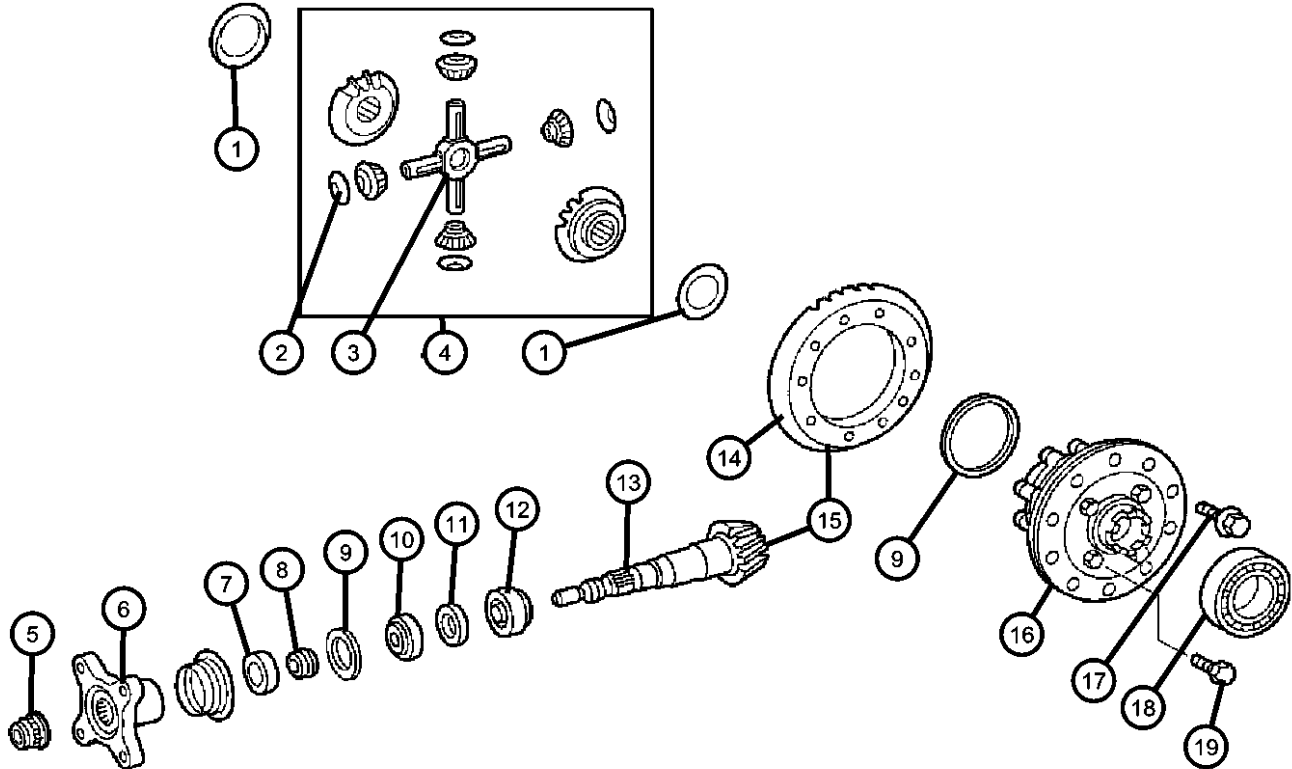
1									WASHER, Side Gear Thrust
	05136792AA	AR	3, 7	L					[1.30 MM Steel]
	05136810AA	AR	3, 7	L					[1.30 MM Brass]
	05136819AA	AR	2, 3, 6, 7	L					[1.40 MM Brass]
	05136820AA	AR	3, 7	L					[1.40 MM Steel]
	05136822AA	AR	3, 7	L					[1.50 MM Steel]
	05136829AA	AR	3, 7	L					[1.70 MM Steel]
	05136830AA	AR	3, 7	L					[1.70 MM Brass]
	05136834AA	AR	3, 7	L					[1.80 MM Steel]
	05136823AA	AR	3, 7	L					[1.50 MM Brass]
	05136826AA	AR	3, 7	L					[1.60 MM Steel]
	05136827AA	AR	3, 7	L					[1.60 MM Brass]
	05136835AA	AR	3, 7	L					[1.80 MM Brass]
	05136841AA	AR	3, 7	L					[1.90 MM Steel]
2									WASHER, Pinion Gear
	05136148AA	4	3, 7						Thrust
		4	6, 2						Thrust
3	05136150AA	1	3, 7						SHAFT, Differential Pinion
4	05137602AA	1	2, 3, 6, 7						GEAR PACKAGE, Differential
5									NUT, Pinion Yoke
	05103957AA	1							Up To Axle L538154 or X004694
	05103958AA	1							From Axle L538155 or X004695
6	05134541AA	1		L					FLANGE, Driveshaft Yoke
7	05103966AA	1		L					RING, Pinion flange
8	68000011AA	1		L					SPACER, Drive Pinion Bearing
9									SHIM, Axle

SPRINTER (VA)

SERIES	LINE	BODY	ENGINE	TRANSMISSION
L = LOWLINE	3 = HD DODGE 2WD 8 = HD DODGE 4WD 6 = Lt. Duty DODGE 4WD 2 = Med. Duty DODGE 2WD 7 = Med. Duty DODGE 4WD 4 = TRUCK	12 = Van 140" 51 = Wagon 118" 52 = Wagon 140" 14 = Van 118" 15 = Van 140" 16 = Van 158" 54 = Wagon 118" 55 = Wagon 140" 56 = Wagon 158" 01 = Chassis Forward Control 118" 02 = Chassis Forward Control 140" 06 = Front Section 158" 11 = Van 118"	EX8 = Engine - 2.7L I5 Mercedes-Benz TD	DGJ = Transmission - 5-Spd Auto, MB

AR = use ase required - = Non illustrated part

Internal Differential Parts,Rear
Figure 3-210



ITEM	PART NUMBER	QTY	LINE	SERIES	BODY	ENGINE	TRANS	TRIM	DESCRIPTION
	05134415AA	1	2, 3, 6, 7						[4.90 MM]
	05134416AA	1	2, 3, 6, 7						[4.92 MM]
	05134417AA	1	2, 3, 6, 7						[4.94 MM]
	05134418AB	1	2, 3, 6, 7						[4.96 MM]
	05134419AA	1	2, 3, 6, 7						[5.00 MM]
	05134420AA	1	2, 3, 6, 7						[5.02 MM]
	05134421AA	1	2, 3, 6, 7						[5.04 MM]
	05134422AB	1	2, 3, 6, 7						[5.06 MM]
	05134423AA	1	2, 3, 6, 7						[5.12 MM]
	05134425AA	1	2, 3, 6, 7		L				[5.20 MM]
	05134427AA	2	2, 3, 6, 7		L				[5.24 MM]
	05134428AA	2	2, 3, 6, 7		L				[5.28 MM]
	05134429AA	2	2, 3, 6, 7		L				[5.32 MM]
	05134430AA	2	2, 3, 6, 7		L				[5.36 MM]
	05134431AA	2	2, 3, 6, 7		L				[5.40 MM]
	05134432AA	2	2, 3, 6, 7		L				[5.50 MM]
	05134433AA	2	2, 3, 6, 7		L				[5.60 MM]
	05134434AA	2	2, 3, 6, 7		L				[5.72 MM]
	05134435AA	2	2, 3, 6, 7		L				[5.78 MM]
	05134436AA	2	2, 3, 6, 7		L				[5.80 MM]
	05134437AA	2	2, 3, 6, 7		L				[5.84 MM]
	05134438AA	2	2, 3, 6, 7		L				[5.88 MM]
	05134440AA	1	2, 3, 6, 7						[5.96 MM]
	05134441AA	2	2, 3, 6, 7		L				[6.00 MM]
	05134466AA	1	2, 3, 6, 7		L				[6.10 MM]
	05134467AA	1	2, 3, 6, 7		L				[6.20 MM]
	05134468AB	1	2, 3, 6, 7		L				[6.30 MM]
	05134469AA	1	3, 6, 7, 2		L				[6.38 MM]

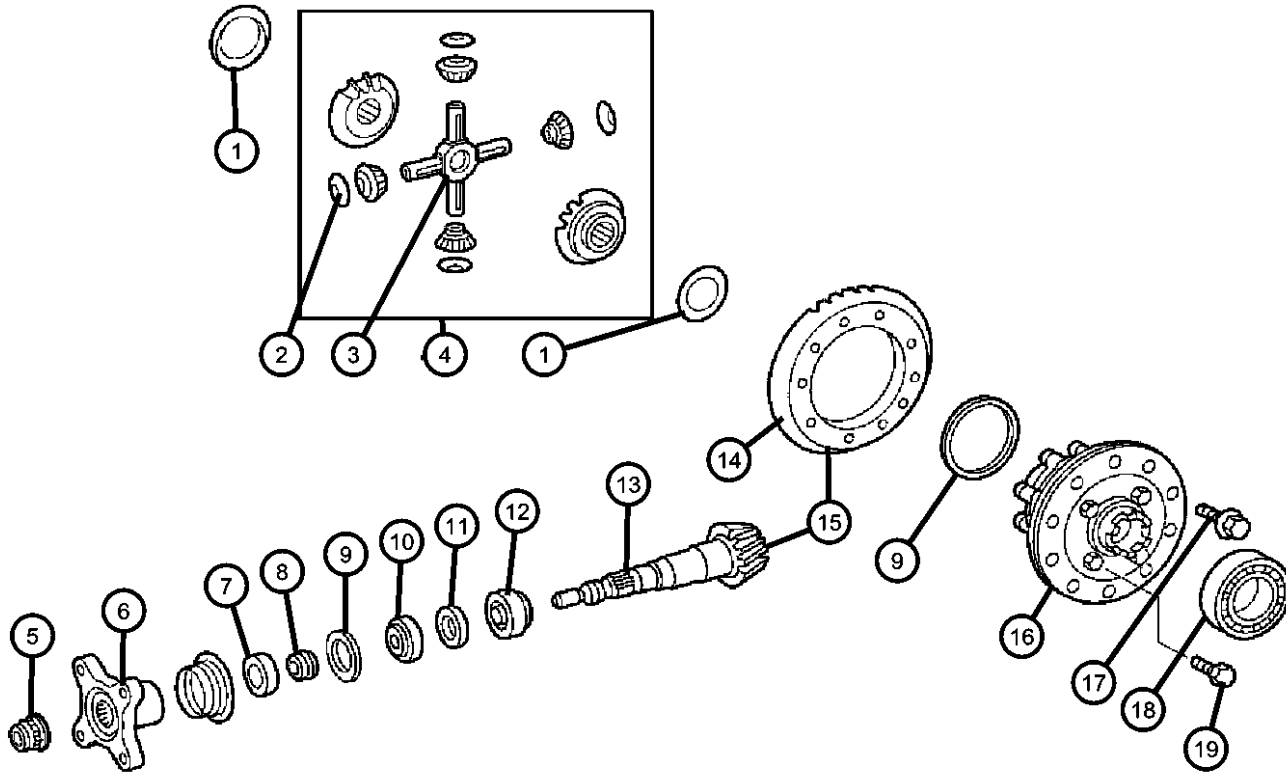
SPRINTER (VA)

SERIES	LINE	BODY	ENGINE	TRANSMISSION
L = LOWLINE	3 = HD DODGE 2WD 8 = HD DODGE 4WD 6 = Lt. Duty DODGE 4WD 2 = Med. Duty DODGE 2WD 7 = Med. Duty DODGE 4WD 4 = TRUCK	12 = Van 140" 51 = Wagon 118" 52 = Wagon 140" 14 = Van 118" 15 = Van 140" 16 = Van 158" 54 = Wagon 118" 55 = Wagon 140" 56 = Wagon 158" 01 = Chassis Forward Control 118" 02 = Chassis Forward Control 140" 06 = Front Section 158" 11 = Van 118"	EX8 = Engine - 2.7L I5 Mercedes-Benz TD	DGJ = Transmission - 5-Spd Auto, MB

AR = use ase required - = Non illustrated part

Internal Differential Parts,Rear
Figure 3-210

ITEM	PART NUMBER	QTY	LINE	SERIES	BODY	ENGINE	TRANS	TRIM	DESCRIPTION
	05134439AA	2	2, 3, 6, 7	L					[5.92 MM]
10	05136772AA	1		L					BEARINGFront
11	05103900AA	1		L					SEAL, Drive Pinion
12	05134442AA	1		L					BEARING, Drive PinionRear
13	05136773AA	1	2, 3, 6, 7	L					PINION, Differential, [DME]
14	05136774AA	1		L					GEAR, Differential Ring, [DME]
15	05136156AA	1	2, 3, 6, 7	L	11, 12, 14, 15, 16				GEAR KIT, Ring And Pinion [DMF]
		1	2, 3, 6, 7	L	51, 52, 54, 55, 56				[DMF]
16	05136172AA	1	3, 7		11, 12, 14, 15, 16				CASE, Differential [DMF]
	05137618AA	1	2, 3, 6, 7						[DME]
17	05103849AA	10	2, 3, 6, 7	L					BOLT, Ring Gear, Mounting
18	05097700AA	1	2, 3, 6, 7						BEARING, Differential
19	05136178AA	8							SCREW, Differential, Differential Case Half, Mounting

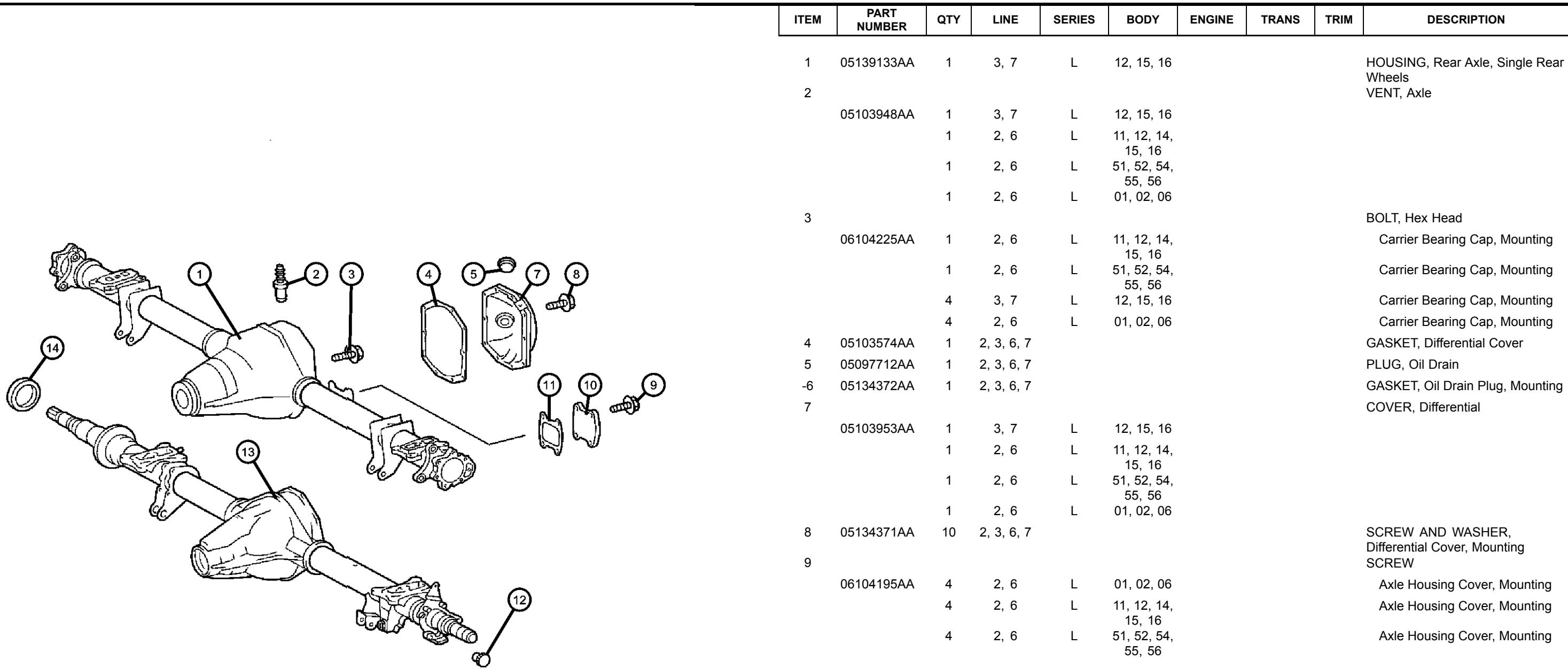


SPRINTER (VA)

SERIES	LINE	BODY	ENGINE	TRANSMISSION
L = LOWLINE	3 = HD DODGE 2WD 8 = HD DODGE 4WD 6 = Lt. Duty DODGE 4WD 2 = Med. Duty DODGE 2WD 7 = Med. Duty DODGE 4WD 4 = TRUCK	12 = Van 140" 51 = Wagon 118" 52 = Wagon 140" 14 = Van 118" 15 = Van 140" 16 = Van 158" 54 = Wagon 118" 55 = Wagon 140" 56 = Wagon 158"	EX8 = Engine - 2.7L I5 Mercedes-Benz TD	DGJ = Transmission - 5-Spd Auto, MB
		01 = Chassis Forward Control 118" 02 = Chassis Forward Control 140" 06 = Front Section 158" 11 = Van 118"		

AR = use ase required - = Non illustrated part

Differential Housing,Rear
Figure 3-220



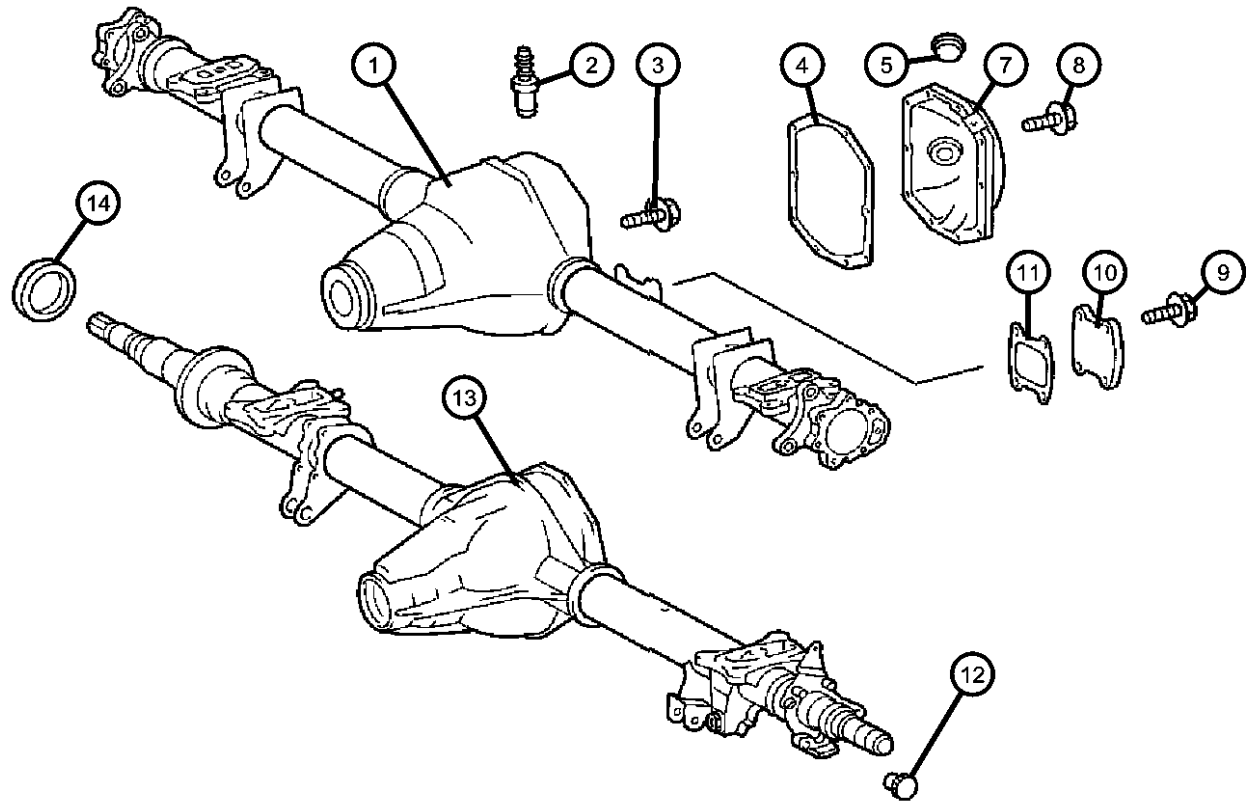
ITEM	PART NUMBER	QTY	LINE	SERIES	BODY	ENGINE	TRANS	TRIM	DESCRIPTION
1	05139133AA	1	3, 7	L	12, 15, 16				HOUSING, Rear Axle, Single Rear Wheels
2	05103948AA	1	3, 7	L	12, 15, 16				VENT, Axle
		1	2, 6	L	11, 12, 14, 15, 16				
		1	2, 6	L	51, 52, 54, 55, 56				
		1	2, 6	L	01, 02, 06				
3	06104225AA	1	2, 6	L	11, 12, 14, 15, 16				BOLT, Hex Head Carrier Bearing Cap, Mounting
		1	2, 6	L	51, 52, 54, 55, 56				Carrier Bearing Cap, Mounting
		4	3, 7	L	12, 15, 16				Carrier Bearing Cap, Mounting
		4	2, 6	L	01, 02, 06				Carrier Bearing Cap, Mounting
4	05103574AA	1	2, 3, 6, 7						GASKET, Differential Cover
5	05097712AA	1	2, 3, 6, 7						PLUG, Oil Drain
-6	05134372AA	1	2, 3, 6, 7						GASKET, Oil Drain Plug, Mounting
7	05103953AA	1	3, 7	L	12, 15, 16				COVER, Differential
		1	2, 6	L	11, 12, 14, 15, 16				
		1	2, 6	L	51, 52, 54, 55, 56				
		1	2, 6	L	01, 02, 06				
8	05134371AA	10	2, 3, 6, 7						SCREW AND WASHER, Differential Cover, Mounting
9	06104195AA	4	2, 6	L	01, 02, 06				Axle Housing Cover, Mounting
		4	2, 6	L	11, 12, 14, 15, 16				Axle Housing Cover, Mounting
		4	2, 6	L	51, 52, 54, 55, 56				Axle Housing Cover, Mounting

SPRINTER (VA)

SERIES	LINE	BODY	ENGINE	TRANSMISSION
L = LOWLINE	3 = HD DODGE 2WD 8 = HD DODGE 4WD 6 = Lt. Duty DODGE 4WD 2 = Med. Duty DODGE 2WD 7 = Med. Duty DODGE 4WD 4 = TRUCK	12 = Van 140" 51 = Wagon 118" 52 = Wagon 140" 14 = Van 118" 15 = Van 140" 16 = Van 158" 54 = Wagon 118" 55 = Wagon 140" 56 = Wagon 158" 01 = Chassis Forward Control 118" 02 = Chassis Forward Control 140" 06 = Front Section 158" 11 = Van 118"	EX8 = Engine - 2.7L I5 Mercedes-Benz TD	DGJ = Transmission - 5-Spd Auto, MB

AR = use ase required - = Non illustrated part

Differential Housing,Rear
Figure 3-220



ITEM	PART NUMBER	QTY	LINE	SERIES	BODY	ENGINE	TRANS	TRIM	DESCRIPTION
		4	3, 7	L	02, 06				Axle Housing Cover, Mounting
		4	3, 7	L	12, 15, 16				Axle Housing Cover, Mounting
10	05134668AA	1	2, 6	L	11, 12, 14, 15, 16				COVER Axle Housing
		1	2, 6	L	51, 52, 54, 55, 56				Axle Housing
		1	2, 6	L	01, 02, 06				Axle Housing
11	05134669AA	1	2, 6	L	11, 12, 14, 15, 16				GASKET Axle Housing Cover, Mounting
		1	2, 6	L	51, 52, 54, 55, 56				Axle Housing Cover, Mounting
		1	2, 6	L	01, 02, 06				Axle Housing Cover, Mounting
12	05133367AA	1	2, 6	L	01, 02, 06				PLUG To Lock Holes for ABS
		1	2, 6	L	11, 12, 14, 15, 16				To Lock Holes for ABS
		1	2, 6	L	51, 52, 54, 55, 56				To Lock Holes for ABS
		1	3, 7	L	02, 06				To Lock Holes for ABS
		1	3, 7	L	12, 15, 16				To Lock Holes for ABS
13	05139133AA	1	3, 7	L	12, 15, 16				HOUSING, Rear Axle, For Dual Rear Wheels
14	05104027AA	1	3, 7	L	12, 15, 16				THRUST RING Right
	05134665AA	1	3, 7	L	12, 15, 16				Left

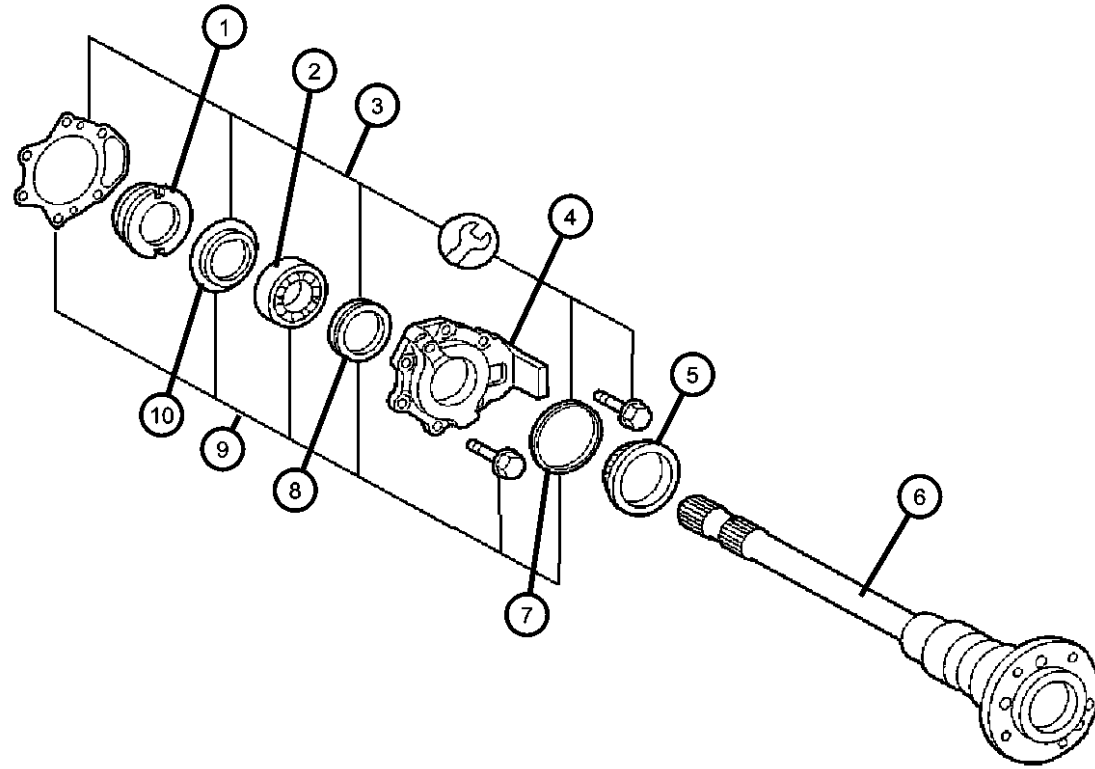
SPRINTER (VA)

SERIES	LINE	BODY	ENGINE	TRANSMISSION
L = LOWLINE	3 = HD DODGE 2WD 8 = HD DODGE 4WD 6 = Lt. Duty DODGE 4WD 2 = Med. Duty DODGE 2WD 7 = Med. Duty DODGE 4WD 4 = TRUCK	12 = Van 140" 51 = Wagon 118" 52 = Wagon 140" 14 = Van 118" 15 = Van 140" 16 = Van 158" 54 = Wagon 118" 55 = Wagon 140" 56 = Wagon 158" 01 = Chassis Forward Control 118" 02 = Chassis Forward Control 140" 06 = Front Section 158" 11 = Van 118"	EX8 = Engine - 2.7L I5 Mercedes-Benz TD	DGJ = Transmission - 5-Spd Auto, MB

AR = use ase required - = Non illustrated part

Axle Shaft and Wheel Bearings, Single Rear Wheels
Figure 3-230

ITEM	PART NUMBER	QTY	LINE	SERIES	BODY	ENGINE	TRANS	TRIM	DESCRIPTION
1									NUT, Axle shaft
	05134634AA	1	2, 6	L					Right
	05134635AA	1	2, 6	L					Left
2	05103883AA	2	2, 6	L					BEARING, WheelRight or Left
3	05104559AA	2	2, 6	L					SEAL KIT, Axle shaftRight or Left
4									COVER, Axle bearing
	05134638AA	1	2, 6	L					Right
	05134639AA	1	2, 6	L					Left
5	05134641AA	2	2, 6	L					TONE RING, SensorRight or Left
6									SHAFT, Axle
	05179119AA	1	2, 6	L					Left
	05179120AA	1	2, 6	L					Right
7	05104566AA	2	2, 6						SEAL, Rear Axle Flange
8	05139760AA	2	2, 6						SEAL, Rear Axle Flange
9	05103601AA	2	2, 6	L					BEARING KIT, Axle shaft
10	05139738AA	2	2, 6						LOCK, Hub Nut



SPRINTER (VA)

SERIES

L = LOWLINE

LINE

3 = HD DODGE 2WD
 8 = HD DODGE 4WD
 6 = Lt. Duty DODGE 4WD
 2 = Med. Duty DODGE 2WD
 7 = Med. Duty DODGE 4WD
 4 = TRUCK

BODY

12 = Van 140"
 51 = Wagon 118"
 52 = Wagon 140"
 14 = Van 118"
 15 = Van 140"
 16 = Van 158"
 54 = Wagon 118"
 55 = Wagon 140"
 56 = Wagon 158"
 01 = Chassis Forward Control
 118"
 02 = Chassis Forward Control
 140"
 06 = Front Section 158"
 11 = Van 118"

ENGINE

EX8 = Engine - 2.7L I5
 Mercedes-Benz TD

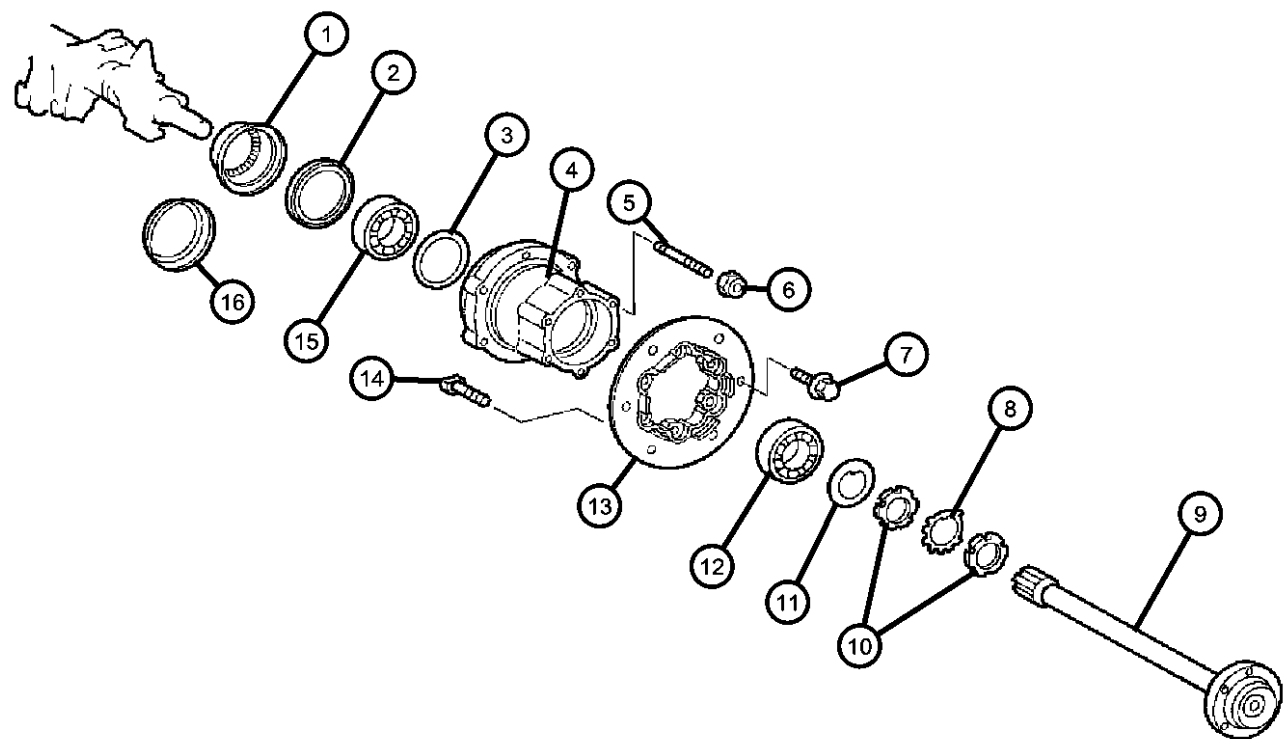
TRANSMISSION

DGJ = Transmission - 5-Spd Auto, MB

AR = use ase required - = Non illustrated part

2005 VA

Axle Shaft and Wheel Bearings, Dual Rear Wheels
Figure 3-240



ITEM	PART NUMBER	QTY	LINE	SERIES	BODY	ENGINE	TRANS	TRIM	DESCRIPTION
1	05161914AA	2	3, 7	L					TONE RING, Sensor, ABS
2	05103566AA	2	3, 7	L	12, 15, 16				SEAL, Wheel Bearing
3	05134706AA	2	3, 7	L					SPACER
4	05104580AA	2	3, 7	L					HUB, WheelRight or Left
5	05134714AA	12	3, 7	L					STUD, Hub, Axle, Mounting
6	05134715AA	12	3, 7	L					NUT, Hex Lock, Axle, Mounting
7	06104258AA	12	3, 7	L					SCREW, Hex Flange Head
8	05103578AA	2	3, 7	L					LOCK, Bearing Adjusting Nut
9									SHAFT, Axle
	05166553AA	2	3, 7	L					Right or Left
	05175047AA	2	3, 7	L	02, 06, 12, 15, 16				Right or Left
10	05134720AA	2	3, 7	L					NUT, Bearing Adjusting
11	05134719AA	2	3, 7						SPACER
12	05103547AA	2	3, 7	L					BEARING, WheelOuter
13	05134718AA	2	3, 7	L					FLANGE, Axle OutputRight or Left
14	05103938AA	12	3, 7	L					STUD, Wheel
15	05103562AA	2	3, 7	L					BEARING, WheelInner
16	05134709AA	2	3, 7	L					SLINGER, OilRight or Left

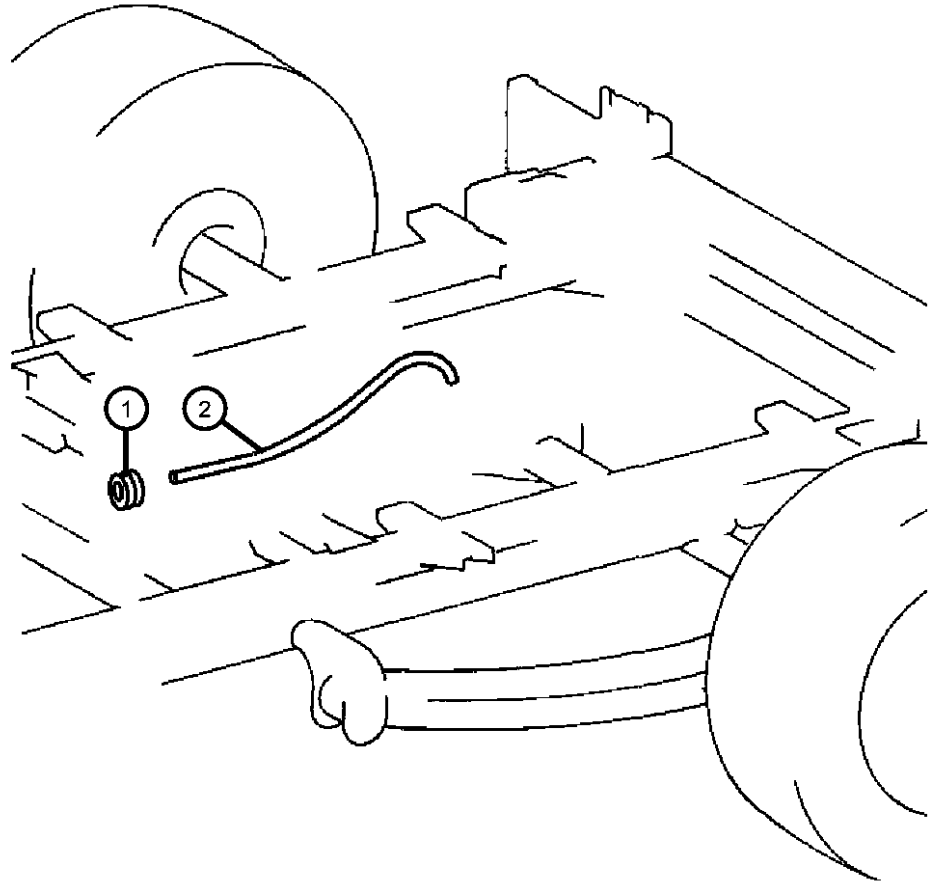
SPRINTER (VA)

SERIES	LINE	BODY	ENGINE	TRANSMISSION
L = LOWLINE	3 = HD DODGE 2WD 8 = HD DODGE 4WD 6 = Lt. Duty DODGE 4WD 2 = Med. Duty DODGE 2WD 7 = Med. Duty DODGE 4WD 4 = TRUCK	12 = Van 140" 51 = Wagon 118" 52 = Wagon 140" 14 = Van 118" 15 = Van 140" 16 = Van 158" 54 = Wagon 118" 55 = Wagon 140" 56 = Wagon 158" 01 = Chassis Forward Control 118" 02 = Chassis Forward Control 140" 06 = Front Section 158" 11 = Van 118"	EX8 = Engine - 2.7L I5 Mercedes-Benz TD	DGJ = Transmission - 5-Spd Auto, MB

AR = use ase required - = Non illustrated part

Vent,Rear Axle
Figure 3-310

ITEM	PART NUMBER	QTY	LINE	SERIES	BODY	ENGINE	TRANS	TRIM	DESCRIPTION
1									GROMMET
	05125930AA	1	2, 6	L	01, 02, 06				
		1	2, 6	L	11, 12, 14, 15, 16				
		1	2, 6	L	51, 52, 54, 55, 56				
		1	3, 7	L	02, 06				
		1	3, 7	L	12, 15, 16				
2									HOSE, Axle Vent
	05104076AA	1	2, 6	L	01, 02, 06				
		1	2, 6	L	11, 12, 14, 15, 16				
		1	2, 6	L	51, 52, 54, 55, 56				
		1	3, 7	L	02, 06				
		1	3, 7	L	12, 15, 16				



SPRINTER (VA)

SERIES	LINE	BODY	ENGINE	TRANSMISSION
L = LOWLINE	3 = HD DODGE 2WD 8 = HD DODGE 4WD 6 = Lt. Duty DODGE 4WD 2 = Med. Duty DODGE 2WD 7 = Med. Duty DODGE 4WD 4 = TRUCK	12 = Van 140" 51 = Wagon 118" 52 = Wagon 140" 14 = Van 118" 15 = Van 140" 16 = Van 158" 54 = Wagon 118" 55 = Wagon 140" 56 = Wagon 158" 01 = Chassis Forward Control 118" 02 = Chassis Forward Control 140" 06 = Front Section 158" 11 = Van 118"	EX8 = Engine - 2.7L I5 Mercedes-Benz TD	DGJ = Transmission - 5-Spd Auto, MB

AR = use ase required - = Non illustrated part

2005 VA

Group - 4

Parking Brake

Group - 4 Parking Brake

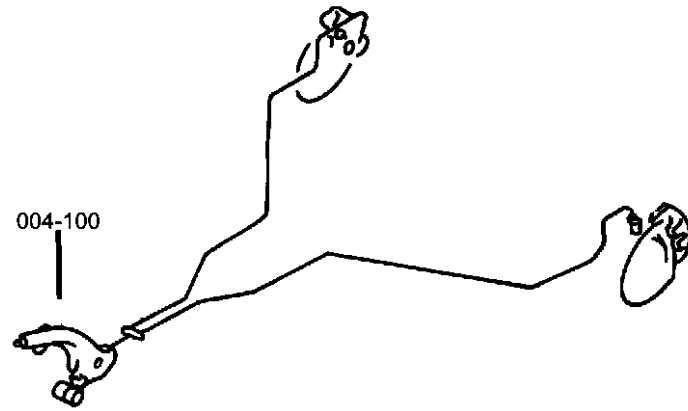
Illustration Title

Group-Fig. No.

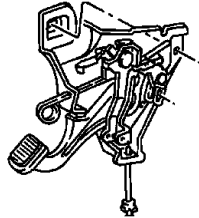
Parking Brake Lever and Cables

Parking Brake Lever Assembly Fig. 4 - 110

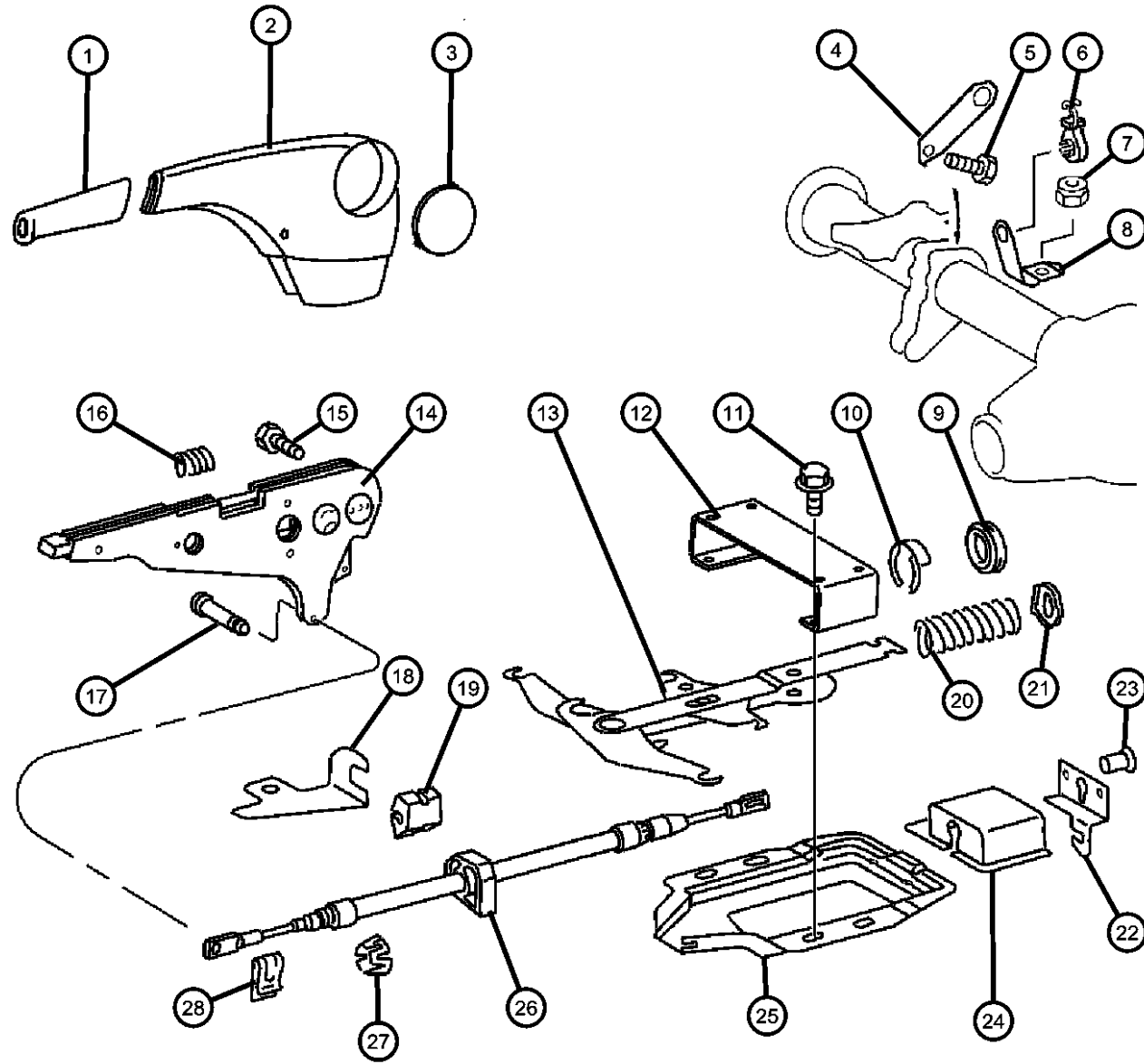
Parking Brake Assembly..... Fig. 4 - 120



004-100
Parking Brake Lever and Cables



**Parking Brake Lever Assembly
Figure 4-110**



ITEM	PART NUMBER	QTY	LINE	SERIES	BODY	ENGINE	TRANS	TRIM	DESCRIPTION
------	-------------	-----	------	--------	------	--------	-------	------	-------------

Note;Sales Codes;
[5AC]=118" Wheelbase
[5AE]=140" Wheelbase
[5AF]=158" Wheelbase

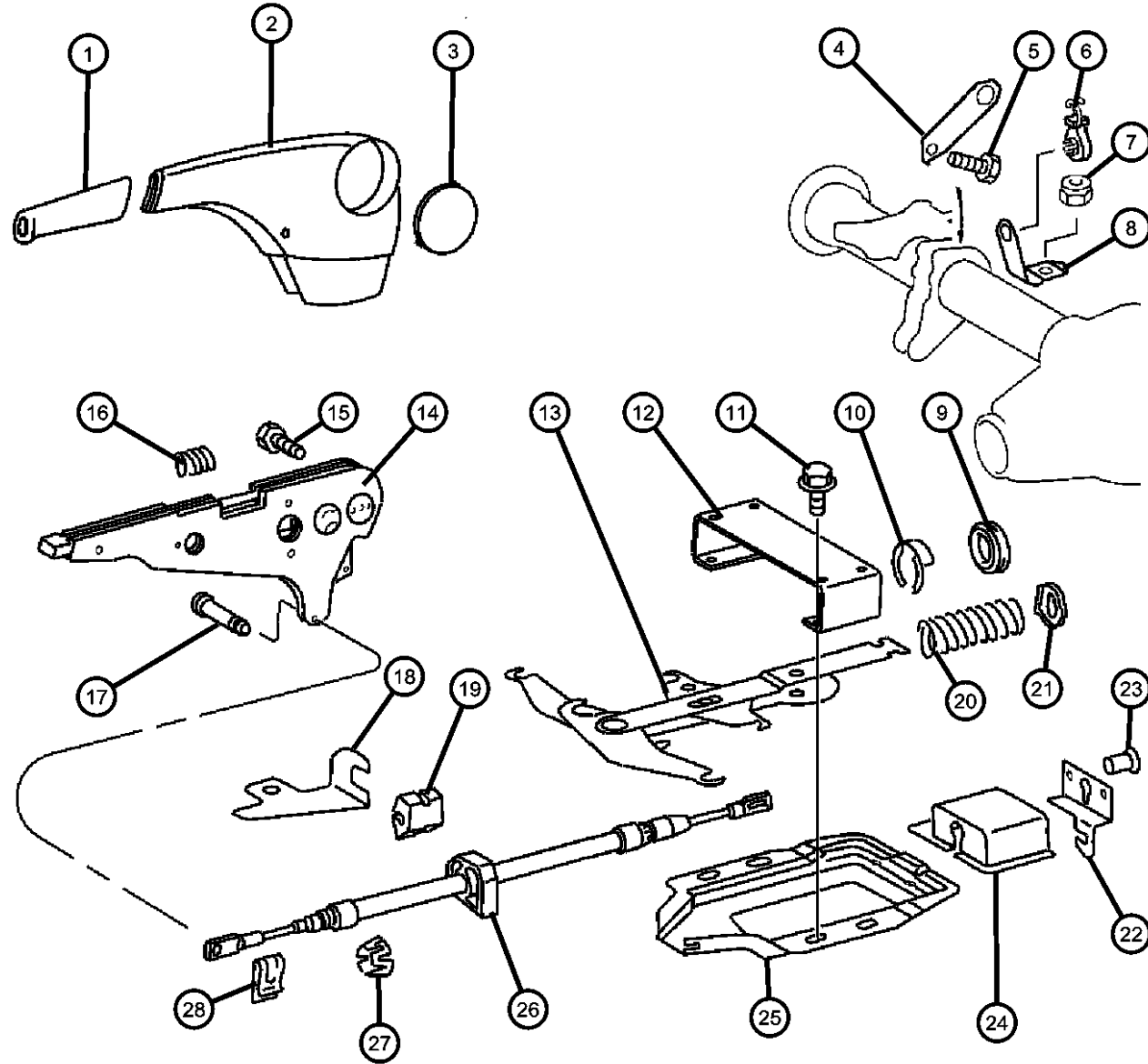
1									HANDLE, Parking Brake
	05119259AA	1	3, 7		02, 06				
		1	3, 7		12, 15, 16				
		1	2, 6						
2									COVER, Parking Brake Housing
	05119264AA	1	2, 6		01, 02, 06				
		1	2, 6		11, 12, 14, 15, 16				
		1	2, 6		51, 52, 54, 55, 56				
		1	3, 7		02, 06				
		1	3, 7		12, 15, 16				
3									COVER, Parking Brake
	05104086AA	1	2, 6		51, 52, 54, 55, 56				
		1	3, 7		02, 06				
		1	3, 7		12, 15, 16				
		1	2, 6		01, 02, 06				
		1	2, 6		11, 12, 14, 15, 16				
4									BRACKET
	05119274AA	1	2, 6		01, 02, 06				Left
		1	2, 6		11, 12, 14, 15, 16				Left
		1	2, 6		51, 52, 54, 55, 56				Left
	05119277AA	1	2, 6		01, 02, 06				Right
		1	2, 6		11, 12, 14, 15, 16				Right

SPRINTER (VA)

SERIES	LINE	BODY	ENGINE	TRANSMISSION
L = LOWLINE	3 = HD DODGE 2WD	12 = Van 140"	EX8 = Engine - 2.7L I5	DGJ = Transmission - 5-Spd Auto, MB
	8 = HD DODGE 4WD	51 = Wagon 118"	Mercedes-Benz TD	
	6 = Lt. Duty DODGE 4WD	52 = Wagon 140"		
	2 = Med. Duty DODGE 2WD	14 = Van 118"		
	7 = Med. Duty DODGE 4WD	15 = Van 140"		
	4 = TRUCK	16 = Van 158"		
		54 = Wagon 118"		
		55 = Wagon 140"		
		56 = Wagon 158"		
		01 = Chassis Forward Control 118"		
		02 = Chassis Forward Control 140"		
		06 = Front Section 158"		
		11 = Van 118"		

AR = use ase required - = Non illustrated part

**Parking Brake Lever Assembly
Figure 4-110**



ITEM	PART NUMBER	QTY	LINE	SERIES	BODY	ENGINE	TRANS	TRIM	DESCRIPTION
		1	2, 6		51, 52, 54, 55, 56				Right
	05136069AA	1	3, 7		02, 06				Right
		1	3, 7		12, 15, 16				Right
	05136070AA	1	3, 7		02, 06				Left
		1	3, 7		12, 15, 16				Left
5									BOLT
	05104655AA	2	2, 6		01, 02, 06				
		2	3, 7		12, 15, 16				
		2	2, 6		11, 12, 14, 15, 16				
		2	2, 6		51, 52, 54, 55, 56				
		2	3, 7		02, 06				
6									CLIP, Parking Brake Cable
	05119283AA	6	3, 7		02, 06				
		6	3, 7		12, 15, 16				
		4	2, 6		01, 02, 06				
		4	2, 6		11, 12, 14, 15, 16				
		4	2, 6		51, 52, 54, 55, 56				
7									NUT, Hex, M6
	05127449AA	2	2, 6		51, 52, 54, 55, 56				
		2	3, 7		02, 06				
		2	2, 6		01, 02, 06				
		2	2, 6		11, 12, 14, 15, 16				
		2	3, 7		12, 15, 16				
8									BRACKET, Parking Brake Cable Guide

SPRINTER (VA)

SERIES

L = LOWLINE

LINE

3 = HD DODGE 2WD
 8 = HD DODGE 4WD
 6 = Lt. Duty DODGE 4WD
 2 = Med. Duty DODGE 2WD
 7 = Med. Duty DODGE 4WD
 4 = TRUCK

BODY

12 = Van 140"
 51 = Wagon 118"
 52 = Wagon 140"
 14 = Van 118"
 15 = Van 140"
 16 = Van 158"
 54 = Wagon 118"
 55 = Wagon 140"
 56 = Wagon 158"
 01 = Chassis Forward Control
 118"
 02 = Chassis Forward Control
 140"
 06 = Front Section 158"
 11 = Van 118"

ENGINE

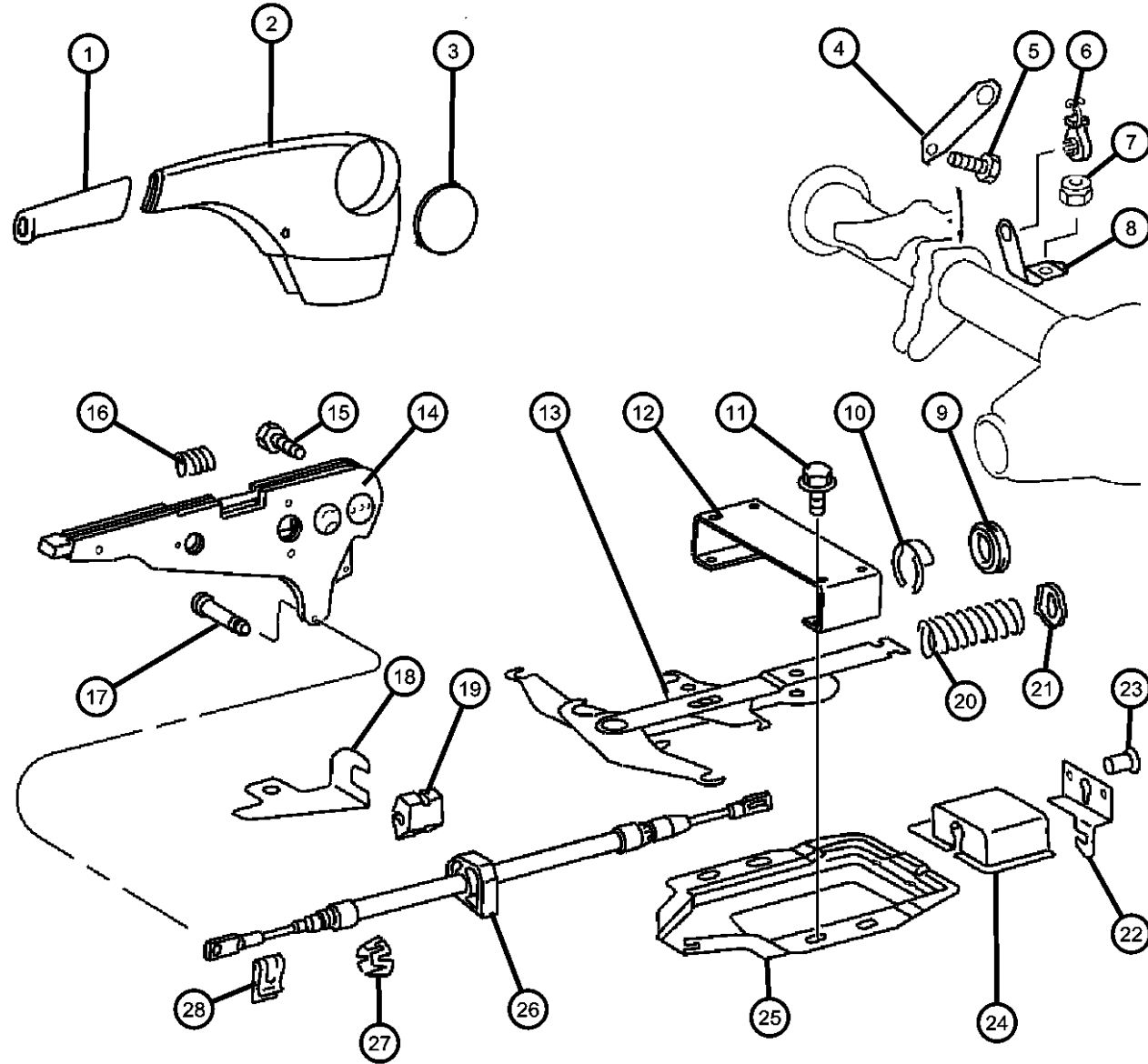
EX8 = Engine - 2.7L I5
 Mercedes-Benz TD

TRANSMISSION

DGJ = Transmission - 5-Spd Auto, MB

AR = use ase required - = Non illustrated part

**Parking Brake Lever Assembly
Figure 4-110**



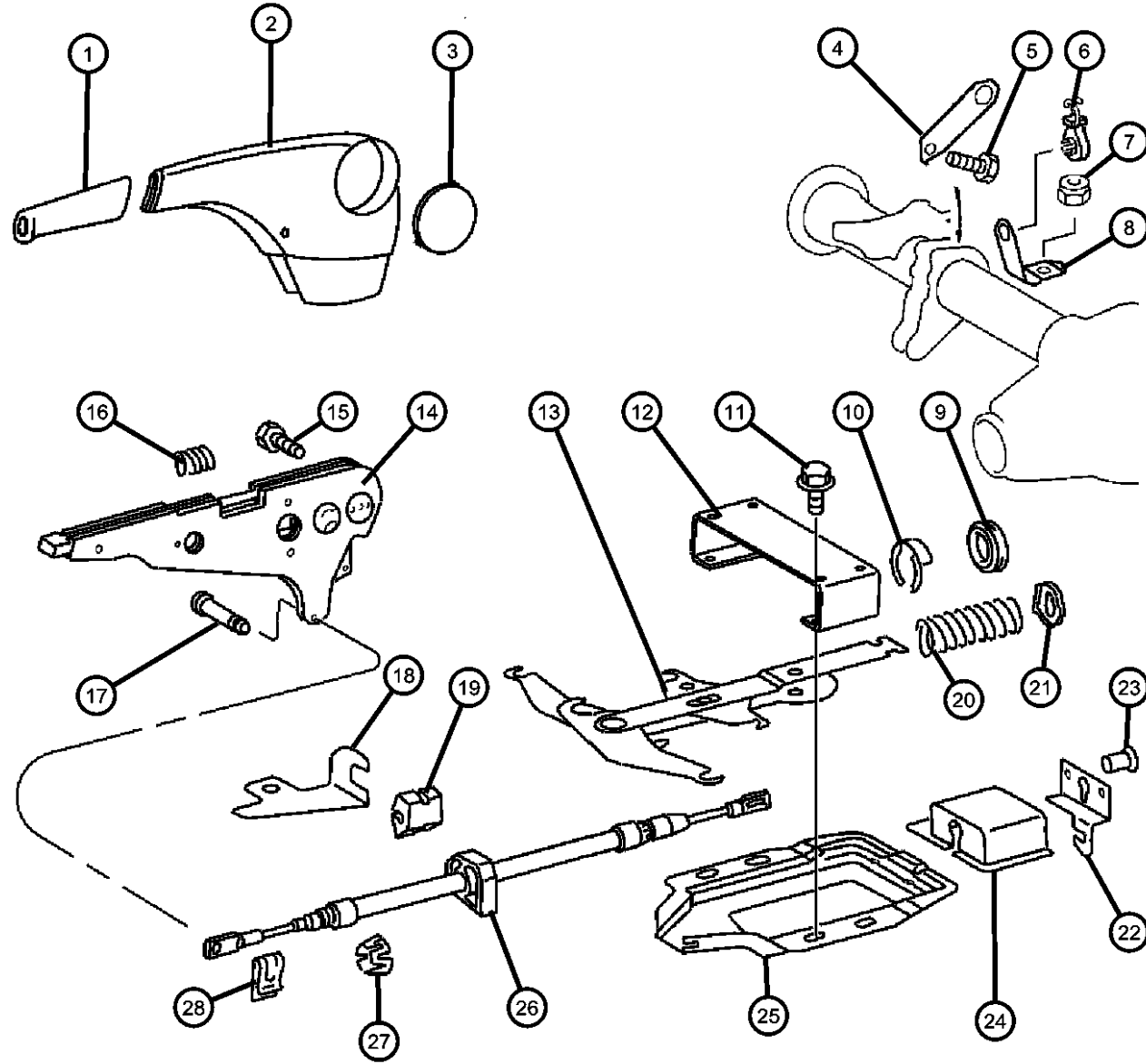
ITEM	PART NUMBER	QTY	LINE	SERIES	BODY	ENGINE	TRANS	TRIM	DESCRIPTION
	05119270AA	1	2, 6		01, 02, 06				Left
		1	2, 6		11, 12, 14, 15, 16				Left
		1	2, 6		51, 52, 54, 55, 56				Left
	05119273AA	1	2, 6		01, 02, 06				Right
		1	2, 6		11, 12, 14, 15, 16				Right
		1	2, 6		51, 52, 54, 55, 56				Right
9									GROMMET, Parking Brake Cable
	05125927AA	1	2, 6		01, 02, 06				
		1	2, 6		51, 52, 54, 55, 56				
		1	3, 7		02, 06				
		1	3, 7		12, 15, 16				
		1	2, 6		11, 12, 14, 15, 16				
10									CLIP, Spring
	05125586AA	1	2, 6		01, 02, 06				
		1	2, 6		11, 12, 14, 15, 16				
		1	2, 6		51, 52, 54, 55, 56				
		1	3, 7		02, 06				
		1	3, 7		12, 15, 16				
11									SCREW
	05126264AA	4	2, 6		01, 02, 06				
		4	2, 6		11, 12, 14, 15, 16				
		4	2, 6		51, 52, 54, 55, 56				
		4	3, 7		02, 06				

SPRINTER (VA)

SERIES	LINE	BODY	ENGINE	TRANSMISSION
L = LOWLINE	3 = HD DODGE 2WD	12 = Van 140"	EX8 = Engine - 2.7L I5	DGJ = Transmission - 5-Spd Auto, MB
	8 = HD DODGE 4WD	51 = Wagon 118"	Mercedes-Benz TD	
	6 = Lt. Duty DODGE 4WD	52 = Wagon 140"		
	2 = Med. Duty DODGE 2WD	14 = Van 118"		
	7 = Med. Duty DODGE 4WD	15 = Van 140"		
	4 = TRUCK	16 = Van 158"		
		54 = Wagon 118"		
		55 = Wagon 140"		
		56 = Wagon 158"		
		01 = Chassis Forward Control 118"		
		02 = Chassis Forward Control 140"		
		06 = Front Section 158"		
		11 = Van 118"		

AR = use ase required - = Non illustrated part

**Parking Brake Lever Assembly
Figure 4-110**



ITEM	PART NUMBER	QTY	LINE	SERIES	BODY	ENGINE	TRANS	TRIM	DESCRIPTION
12		4	3, 7		12, 15, 16				BRACKET
	05133901AA	1	3, 7		02, 06				
13		1	3, 7		12, 15, 16				EQUALIZER, Parking Brake Cable Without [4JR]
	05119232AA	1	3, 7		02, 06				
	05140766AA	1	3, 7		12, 15, 16				With [4JR]
	05119231AA	1	2, 6		01, 02, 06				
14		1	2, 6		11, 12, 14, 15, 16				LEVER, Park Brake
	05119146AA	1	2, 6		01, 02, 06				
		1	2, 6		11, 12, 14, 15, 16				
		1	2, 6		51, 52, 54, 55, 56				
		1	3, 7		02, 06				
15		1	3, 7		12, 15, 16				SCREW, M8x20
	05097692AA	2	2, 6		01, 02, 06				
		2	2, 6		11, 12, 14, 15, 16				
		2	2, 6		51, 52, 54, 55, 56				
		2	3, 7		02, 06				
16		2	3, 7		12, 15, 16				SPRING
	05125844AA	1	3, 7		02, 06				

SPRINTER (VA)

SERIES

L = LOWLINE
 3 = HD DODGE 2WD
 8 = HD DODGE 4WD
 6 = Lt. Duty DODGE 4WD
 2 = Med. Duty DODGE 2WD
 7 = Med. Duty DODGE 4WD
 4 = TRUCK

LINE

BODY

12 = Van 140"
 51 = Wagon 118"
 52 = Wagon 140"
 14 = Van 118"
 15 = Van 140"
 16 = Van 158"
 54 = Wagon 118"
 55 = Wagon 140"
 56 = Wagon 158"
 01 = Chassis Forward Control
 118"
 02 = Chassis Forward Control
 140"
 06 = Front Section 158"
 11 = Van 118"

ENGINE

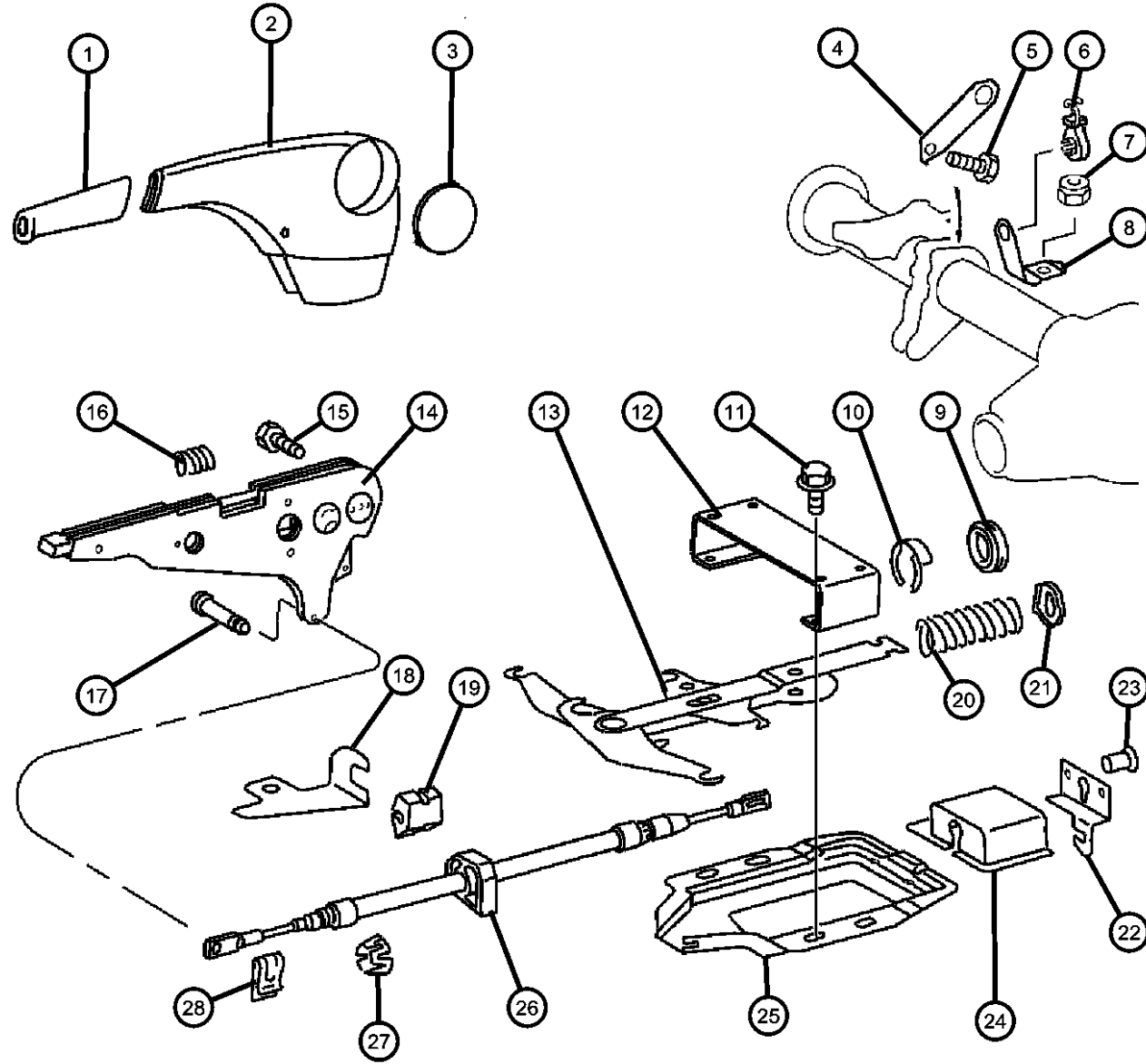
EX8 = Engine - 2.7L I5
 Mercedes-Benz TD

TRANSMISSION

DGJ = Transmission - 5-Spd Auto, MB

AR = use ase required - = Non illustrated part

**Parking Brake Lever Assembly
Figure 4-110**



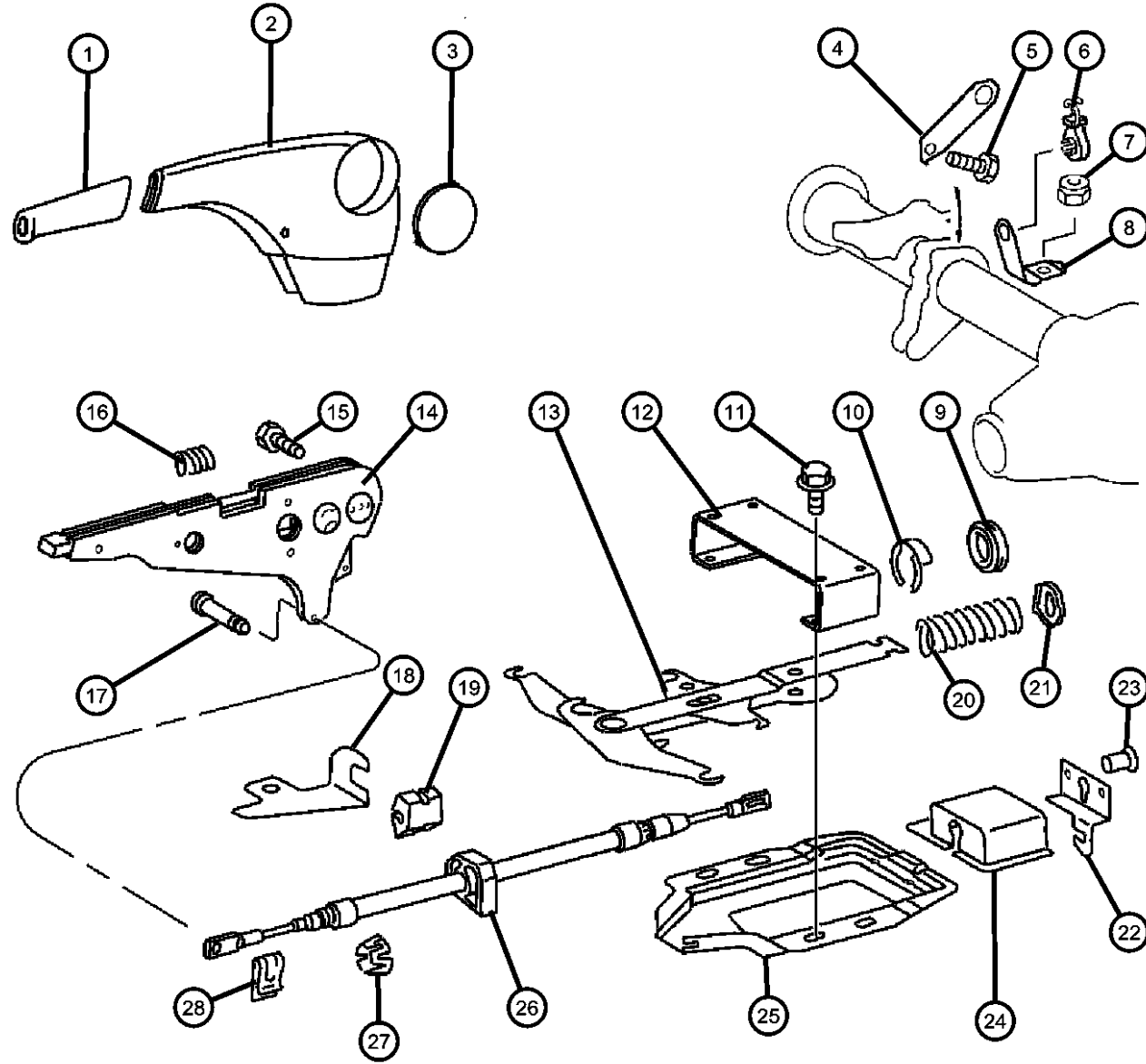
ITEM	PART NUMBER	QTY	LINE	SERIES	BODY	ENGINE	TRANS	TRIM	DESCRIPTION
17		1	3, 7		12, 15, 16				PIN, Parking Brake Handle
	05119284AA	1	2, 6		01, 02, 06				
		1	2, 6		11, 12, 14, 15, 16				
		1	2, 6		51, 52, 54, 55, 56				
		1	3, 7		02, 06				
		1	3, 7		12, 15, 16				
18									BRACKET, Hand Brake
	05119275AA	1	2, 6		52, 55				
		1	2, 6		02				
		1	2, 6		12, 15				
		1	3, 7		02				
		1	3, 7		12, 15				
19									GROMMET, Parking Brake Cable
	05119295AA	2	2, 6		02				
		2	2, 6		12, 15				
		2	2, 6		52, 55				
		2	3, 7		02				
		2	3, 7		06				
		2	3, 7		12, 15				
		2	3, 7		16				
20									SPRING, Parking Brake Release
	05119260AA	1	2, 6		01, 02, 06				
		1	2, 6		11, 12, 14, 15, 16				
		1	2, 6		51, 52, 54, 55, 56				
		1	3, 7		02, 06				

SPRINTER (VA)

SERIES	LINE	BODY	ENGINE	TRANSMISSION
L = LOWLINE	3 = HD DODGE 2WD 8 = HD DODGE 4WD 6 = Lt. Duty DODGE 4WD 2 = Med. Duty DODGE 2WD 7 = Med. Duty DODGE 4WD 4 = TRUCK	12 = Van 140" 51 = Wagon 118" 52 = Wagon 140" 14 = Van 118" 15 = Van 140" 16 = Van 158" 54 = Wagon 118" 55 = Wagon 140" 56 = Wagon 158" 01 = Chassis Forward Control 118" 02 = Chassis Forward Control 140" 06 = Front Section 158" 11 = Van 118"	EX8 = Engine - 2.7L I5 Mercedes-Benz TD	DGJ = Transmission - 5-Spd Auto, MB

AR = use ase required - = Non illustrated part

**Parking Brake Lever Assembly
Figure 4-110**



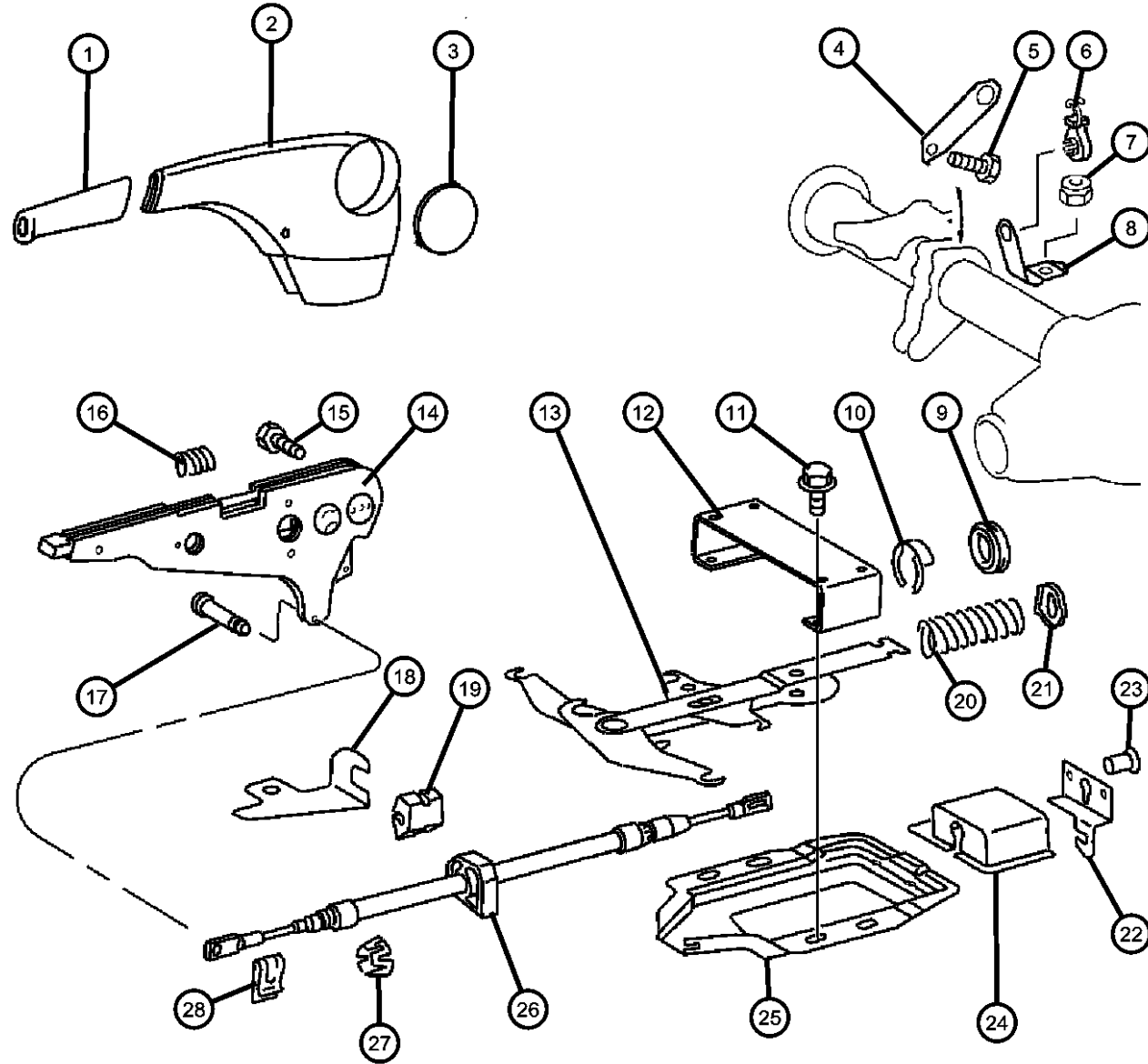
ITEM	PART NUMBER	QTY	LINE	SERIES	BODY	ENGINE	TRANS	TRIM	DESCRIPTION
		1	3, 7		12, 15, 16				
21									WASHER
	05119287AA	1	2, 6		01, 02, 06				
		1	2, 6		11, 12, 14, 15, 16				
		1	2, 6		51, 52, 54, 55, 56				
		1	3, 7		02, 06				
		1	3, 7		12, 15, 16				
22									REINFORCEMENT, Park Brake Mounting
	05118455AA	1	2, 6		06				
		1	2, 6		01, 02				
		1	2, 6		11, 12, 14, 15				
		1	3, 7		06				
		1	3, 7		02				
		1	3, 7		12, 15				
23									RIVET, Blind Bulb
	05133417AA	3	3, 7		12, 15, 16				
		3	2, 6		01, 02, 06				
		3	2, 6		11, 12, 14, 15, 16				
		3	2, 6		51, 52, 54, 55, 56				
		3	3, 7		02, 06				
24									COVER, Parking Brake Cable
	05118469AA	1	2, 6		01, 02, 06				
		1	2, 6		11, 12, 14, 15, 16				
		1	2, 6		51, 52, 54, 55, 56				

SPRINTER (VA)

SERIES	LINE	BODY	ENGINE	TRANSMISSION
L = LOWLINE	3 = HD DODGE 2WD 8 = HD DODGE 4WD 6 = Lt. Duty DODGE 4WD 2 = Med. Duty DODGE 2WD 7 = Med. Duty DODGE 4WD 4 = TRUCK	12 = Van 140" 51 = Wagon 118" 52 = Wagon 140" 14 = Van 118" 15 = Van 140" 16 = Van 158" 54 = Wagon 118" 55 = Wagon 140" 56 = Wagon 158"	EX8 = Engine - 2.7L I5 Mercedes-Benz TD	DGJ = Transmission - 5-Spd Auto, MB
		01 = Chassis Forward Control 118" 02 = Chassis Forward Control 140" 06 = Front Section 158" 11 = Van 118"		

AR = use ase required - = Non illustrated part

**Parking Brake Lever Assembly
Figure 4-110**



ITEM	PART NUMBER	QTY	LINE	SERIES	BODY	ENGINE	TRANS	TRIM	DESCRIPTION
		1	3, 7		02, 06				
		1	3, 7		12, 15, 16				
25	05119224AA	1	2, 6		11, 12, 14, 15, 16				COVER, Equalizer
		1	2, 6		51, 52, 54, 55, 56				
		1	3, 7		02, 06				
		1	3, 7		12, 15, 16				
		1	2, 6		01, 02, 06				
26	05119245AA	1	2, 6		02				CABLE, Parking Brake [5AE]
		1	2, 6		12, 15				[5AE]
		1	2, 6		52, 55				[5AE]
		1	3, 7		02				[5AE]
		1	3, 7		12, 15				[5AE]
	05119247AA	1	2, 6		06				[5AF]
		1	2, 6		16				[5AE]
		1	2, 6		56				[5AF]
		1	3, 7		06				[5AF]
		1	3, 7		16				[5AF]
	05129192AA	1	2, 6		01				[5AC]
		1	2, 6		11, 14				[5AC]
		1	2, 6		51, 54				[5AC]
27	05119298AA	1	2, 6		01, 02, 06				CLIP, Cable
		1	2, 6		11, 12, 14, 15, 16				
		1	2, 6		51, 52, 54, 55, 56				

SPRINTER (VA)

SERIES

L = LOWLINE

LINE

- 3 = HD DODGE 2WD
- 8 = HD DODGE 4WD
- 6 = Lt. Duty DODGE 4WD
- 2 = Med. Duty DODGE 2WD
- 7 = Med. Duty DODGE 4WD
- 4 = TRUCK

BODY

- 12 = Van 140"
- 51 = Wagon 118"
- 52 = Wagon 140"
- 14 = Van 118"
- 15 = Van 140"
- 16 = Van 158"
- 54 = Wagon 118"
- 55 = Wagon 140"
- 56 = Wagon 158"
- 01 = Chassis Forward Control 118"
- 02 = Chassis Forward Control 140"
- 06 = Front Section 158"
- 11 = Van 118"

ENGINE

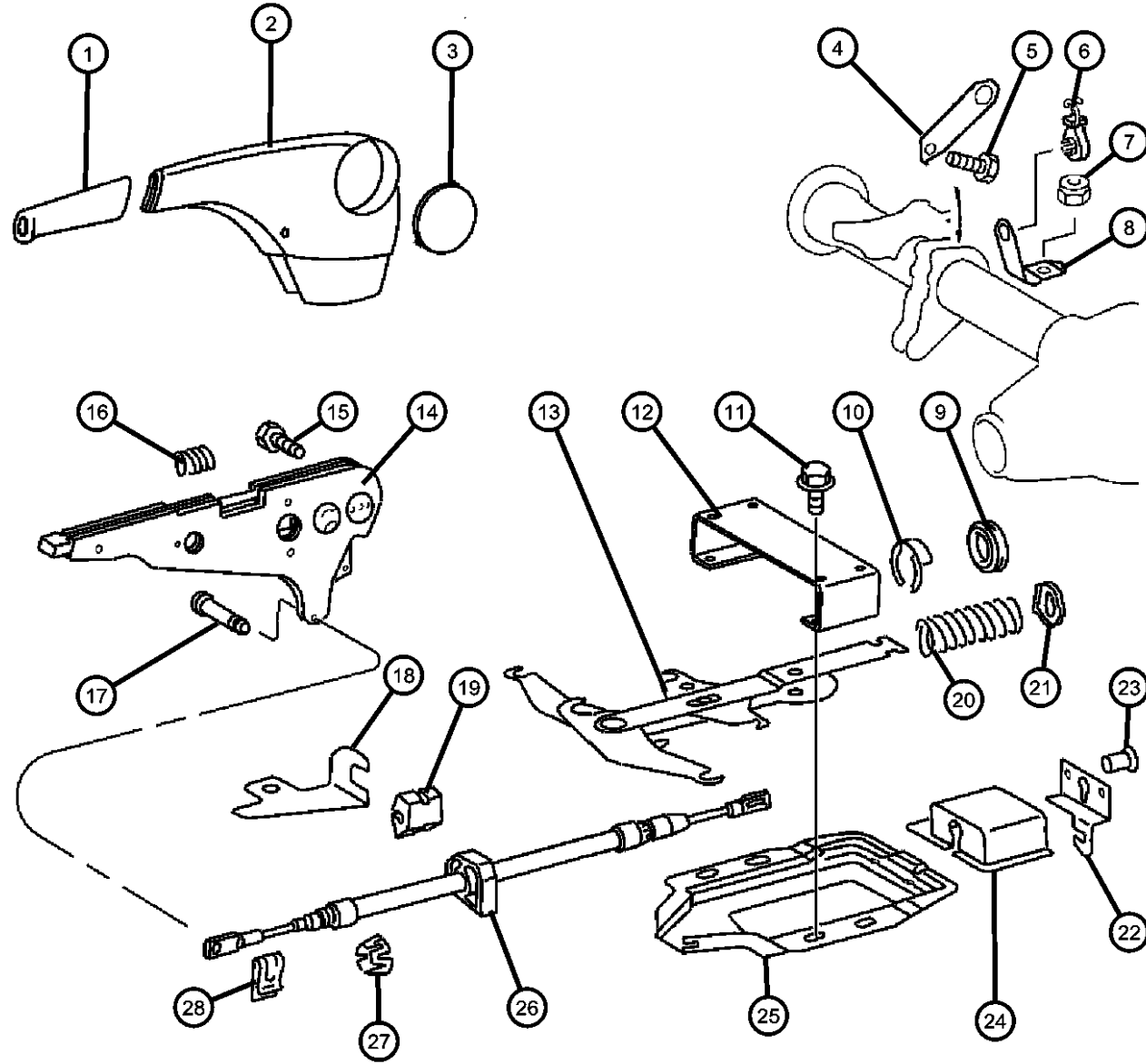
- EX8 = Engine - 2.7L I5
- Mercedes-Benz TD

TRANSMISSION

- DGJ = Transmission - 5-Spd Auto, MB

AR = use ase required - = Non illustrated part

**Parking Brake Lever Assembly
Figure 4-110**

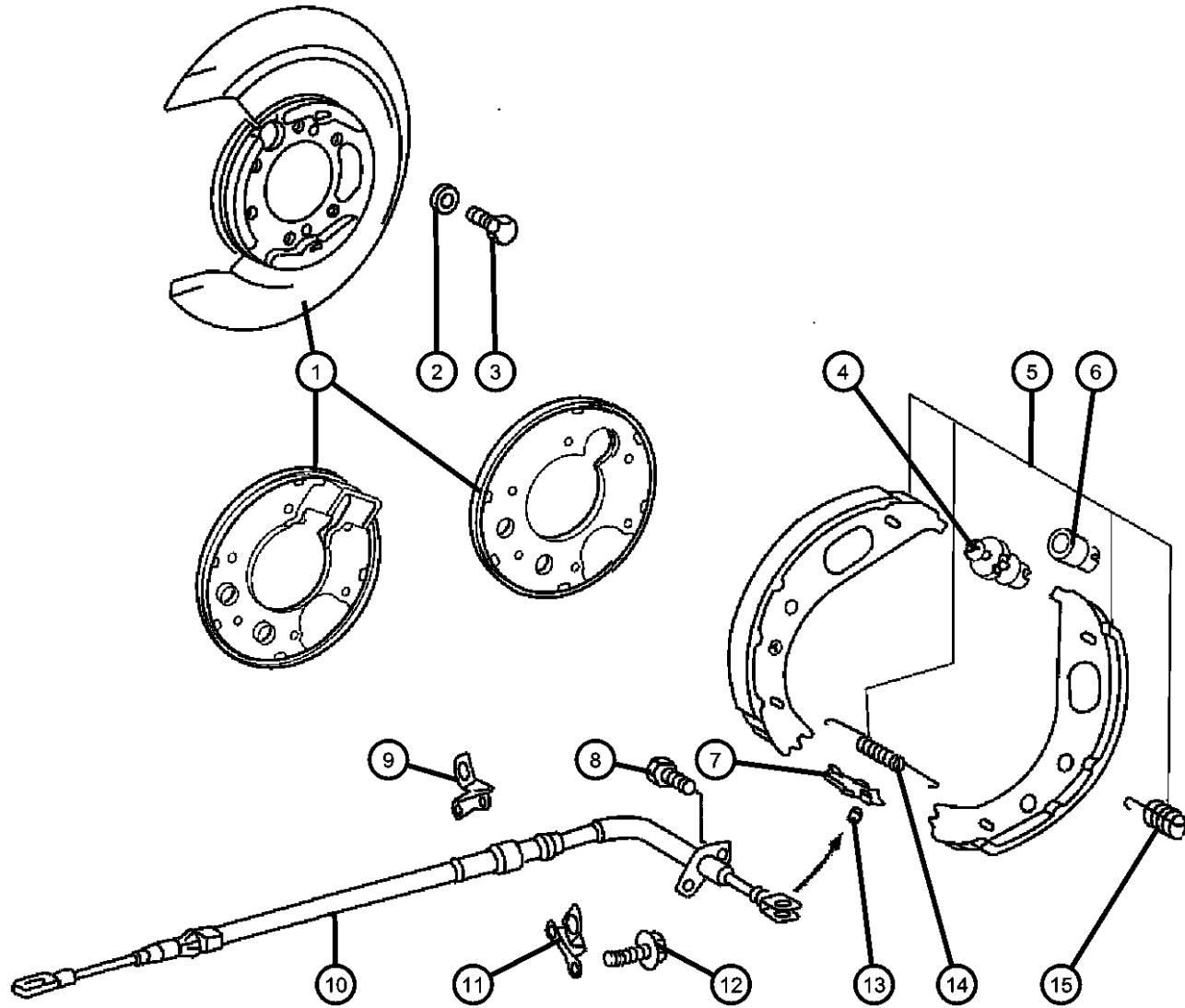


ITEM	PART NUMBER	QTY	LINE	SERIES	BODY	ENGINE	TRANS	TRIM	DESCRIPTION
		1	3, 7		02, 06				
		1	3, 7		12, 15, 16				
28	05126243AA	1	2, 6		01, 02, 06				CLIP, Retaining
		1	2, 6		11, 12, 14, 15, 16				
		1	2, 6		51, 52, 54, 55, 56				
		1	3, 7		02, 06				
		1	3, 7		12, 15, 16				

SPRINTER (VA)				
SERIES	LINE	BODY	ENGINE	TRANSMISSION
L = LOWLINE	3 = HD DODGE 2WD 8 = HD DODGE 4WD 6 = Lt. Duty DODGE 4WD 2 = Med. Duty DODGE 2WD 7 = Med. Duty DODGE 4WD 4 = TRUCK	12 = Van 140" 51 = Wagon 118" 52 = Wagon 140" 14 = Van 118" 15 = Van 140" 16 = Van 158" 54 = Wagon 118" 55 = Wagon 140" 56 = Wagon 158"	EX8 = Engine - 2.7L I5 Mercedes-Benz TD	DGJ = Transmission - 5-Spd Auto, MB
		01 = Chassis Forward Control 118" 02 = Chassis Forward Control 140" 06 = Front Section 158" 11 = Van 118"		

AR = use ase required - = Non illustrated part

**Parking Brake Assembly
Figure 4-120**



ITEM	PART NUMBER	QTY	LINE	SERIES	BODY	ENGINE	TRANS	TRIM	DESCRIPTION
1									PLATE, Brake Backing
	05103952AA	1	2, 6						Left
	05139222AA	1	2, 6						Right
	05139223AA	1	3, 7						Right
	05139224AA	1	3, 7						Left
2	05139232AA	4	3, 7						WASHER
3	05139231AA	4							SCREW
4	05139234AA	2	2, 3, 6, 7						ADJUSTER, Parking Brake
5									SHOE AND LINING, Parking Brake
	05103792AA	1	2, 6						
	05103793AA	1	3, 7						
6	05139233AA	2	2, 3, 6, 7						BUSHING
7	05101691AA	2							PLATE, Brake Shoe Guide
8	05098124AA	2							SCREW
9	05139229AA	1	3, 7						BRACKET, Parking BrakeRight Rear
10									CABLE, Parking Brake
	05139225AA	2	2, 6						Right or Left
	05139226AA	1	3, 7						Left
	05139227AA	1	3, 7						Right
11	05139228AA	1	3, 7						BRACKET, Parking BrakeLeft Rear
12	05134371AA	10	2, 3, 6, 7						SCREW AND WASHER
13	05098414AA	2							PIN
14									SPRING, Brake Shoe to Shoe
	05139480AA	2							
	05139736AA	2	2, 6						
15	05139479AA	4	2, 6						SPRING, Brake Shoe Hold Down
-16									BOLT
	05104655AA	4	2, 6		01, 02, 06				Cable to Shock, Mounting

SPRINTER (VA)

SERIES

L = LOWLINE

LINE

3 = HD DODGE 2WD
 8 = HD DODGE 4WD
 6 = Lt. Duty DODGE 4WD
 2 = Med. Duty DODGE 2WD
 7 = Med. Duty DODGE 4WD
 4 = TRUCK

BODY

12 = Van 140"
 51 = Wagon 118"
 52 = Wagon 140"
 14 = Van 118"
 15 = Van 140"
 16 = Van 158"
 54 = Wagon 118"
 55 = Wagon 140"
 56 = Wagon 158"
 01 = Chassis Forward Control
 118"
 02 = Chassis Forward Control
 140"
 06 = Front Section 158"
 11 = Van 118"

ENGINE

EX8 = Engine - 2.7L I5
 Mercedes-Benz TD

TRANSMISSION

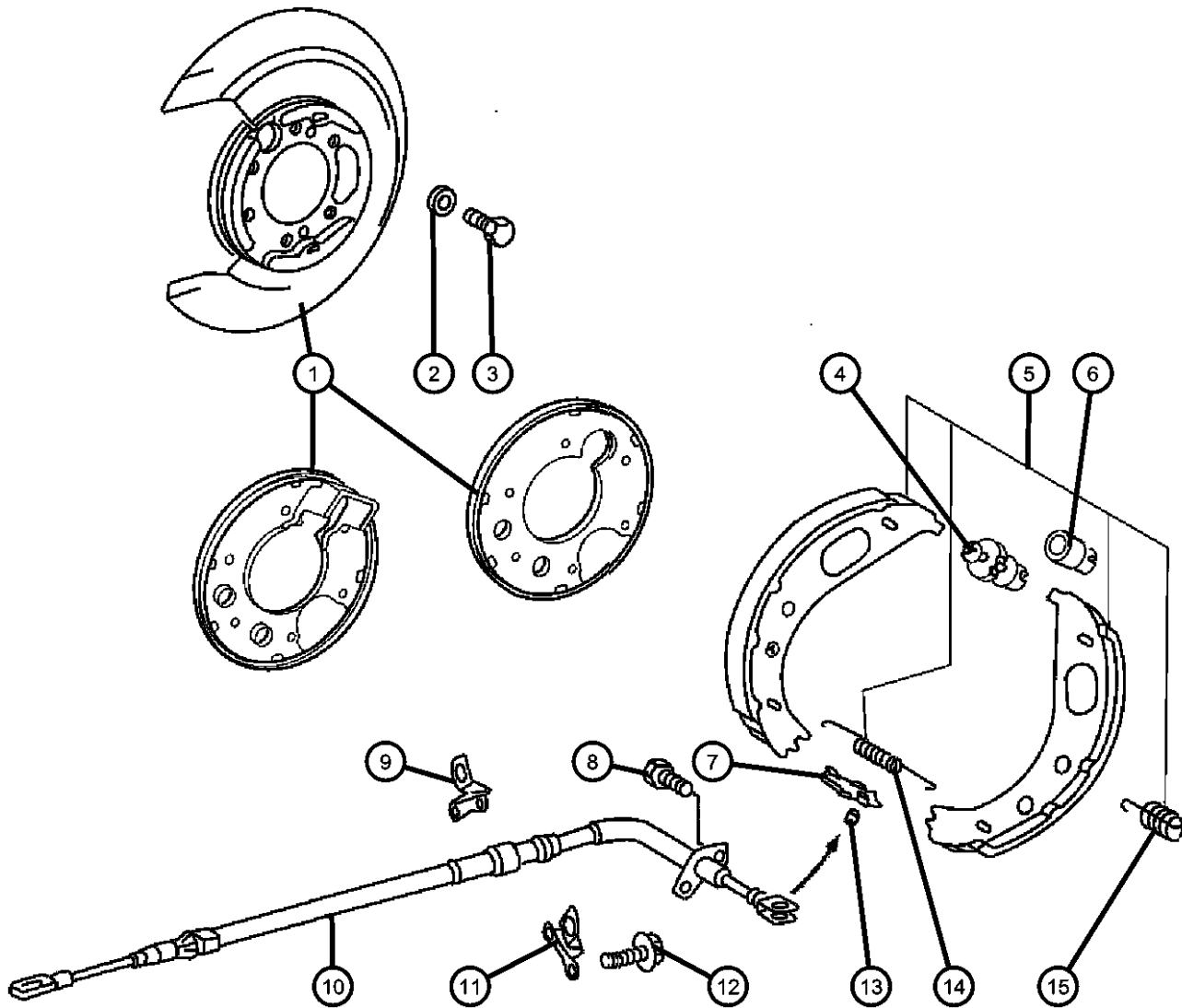
DGJ = Transmission - 5-Spd Auto, MB

AR = use ase required - = Non illustrated part

**Parking Brake Assembly
Figure 4-120**

ITEM	PART NUMBER	QTY	LINE	SERIES	BODY	ENGINE	TRANS	TRIM	DESCRIPTION
------	-------------	-----	------	--------	------	--------	-------	------	-------------

		4	2, 6		11, 12, 14, 15, 16				Cable to Shock, Mounting
		4	2, 6		51, 52, 54, 55, 56				Cable to Shock, Mounting



SPRINTER (VA)

SERIES

L = LOWLINE

LINE

3 = HD DODGE 2WD
8 = HD DODGE 4WD
6 = Lt. Duty DODGE 4WD
2 = Med. Duty DODGE 2WD
7 = Med. Duty DODGE 4WD
4 = TRUCK

BODY

12 = Van 140"
51 = Wagon 118"
52 = Wagon 140"
14 = Van 118"
15 = Van 140"
16 = Van 158"
54 = Wagon 118"
55 = Wagon 140"
56 = Wagon 158"
01 = Chassis Forward Control
118"
02 = Chassis Forward Control
140"
06 = Front Section 158"
11 = Van 118"

ENGINE

EX8 = Engine - 2.7L I5
Mercedes-Benz TD

TRANSMISSION

DGJ = Transmission - 5-Spd Auto, MB

AR = use ase required - = Non illustrated part

2005 VA

Group - 5

Service Brakes

Group - 5 Service Brakes

Illustration Title

Group-Fig. No.

Front Brakes

Brakes, Front Fig. 5 - 110

Rear Brakes

Brakes,Rear,272MM / [2500] Series Fig. 5 - 210

Brakes,Rear,285MM / [3500] Series Fig. 5 - 220

Power Brake Booster

Booster Fig. 5 - 310

Vacuum Lines Fig. 5 - 320

Vacuum Reservoir Fig. 5 - 330

Brake Master Cylinder

Master Cylinder Fig. 5 - 410

Hydraulic Control Unit and ABS Module Fig. 5 - 420

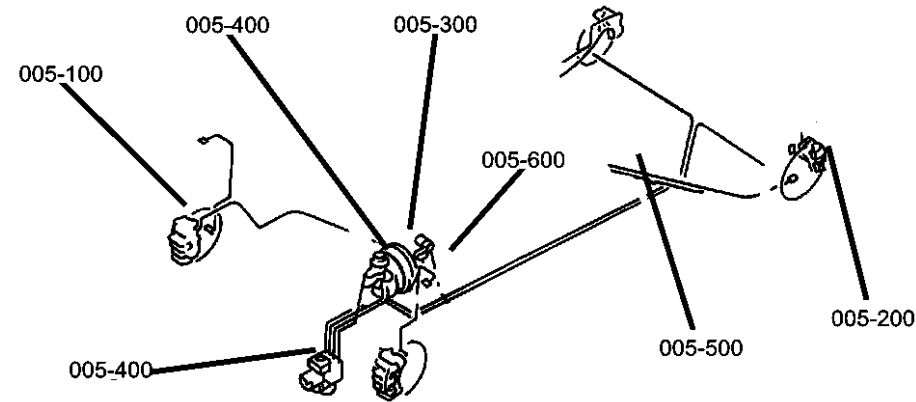
Brake Lines and Hoses

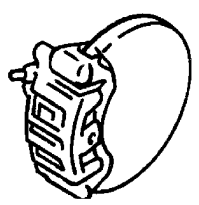
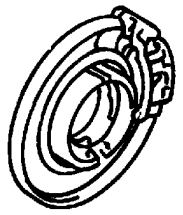
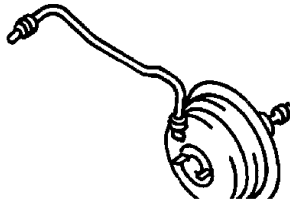
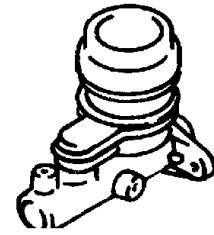
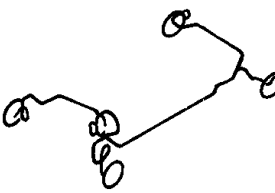

Lines,Brake,With ABS,2500/3500 Series Fig. 5 - 510

Brake, Power Regulator Fig. 5 - 520

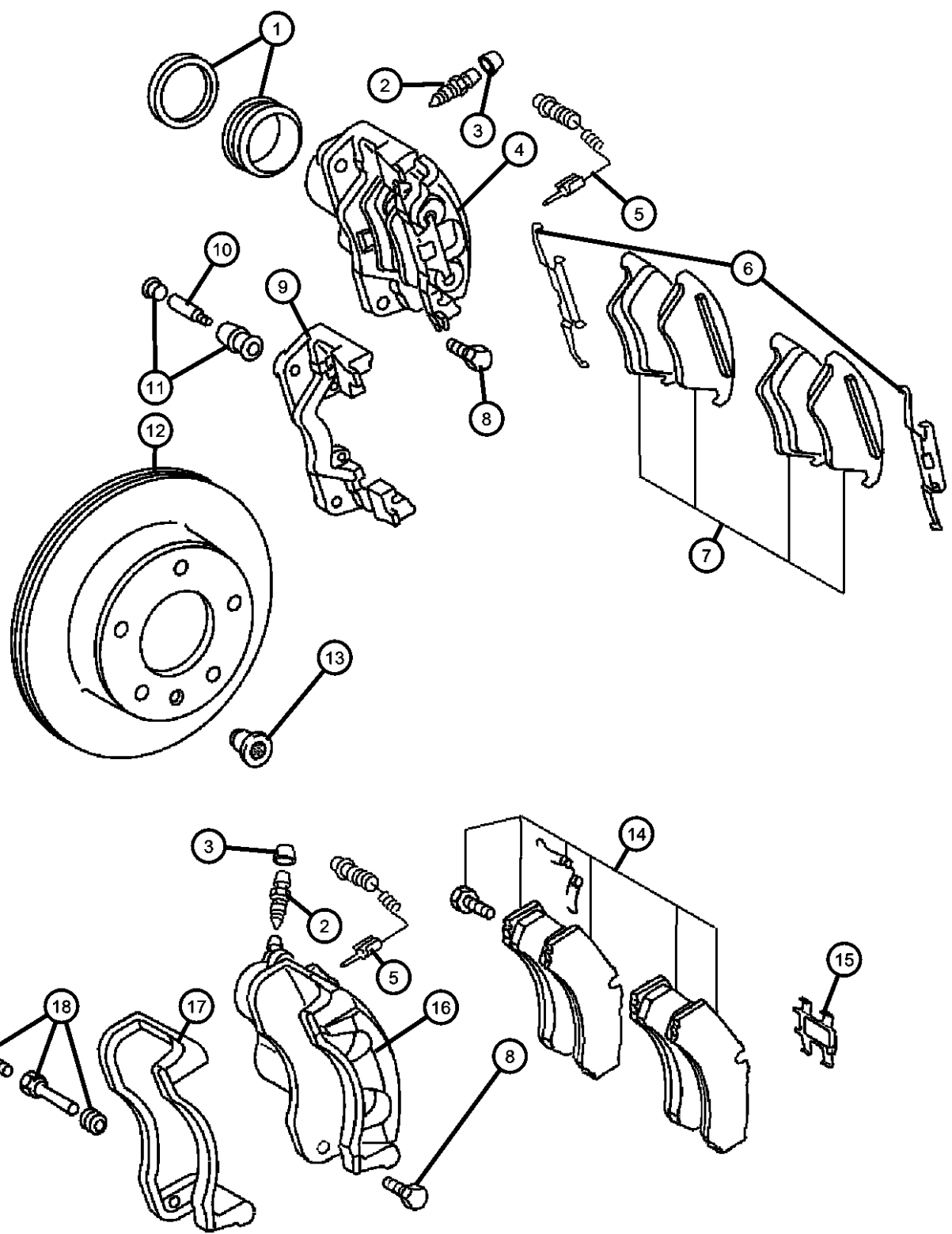
Brake Pedals

Pedal Brake Fig. 5 - 610



<p>005-100 Front Brakes</p> 	<p>005-200 Rear Brakes</p> 	<p>005-300 Power Brake Booster</p> 	<p>005-400 Brake Master Cylinder</p> 
<p>005-500 Brake Lines and Hoses</p> 	<p>005-600 Brake Pedals</p> 		

Brakes, Front
Figure 5-110



ITEM	PART NUMBER	QTY	LINE	SERIES	BODY	ENGINE	TRANS	TRIM	DESCRIPTION
------	-------------	-----	------	--------	------	--------	-------	------	-------------

Note: You must check the brand name on the old caliper to determine which one to order.
Note: On item 7, either part number can be used for item 4.

1	05139261AA	1							SEAL, Caliper Piston
2	05139258AA	1	2, 6						BLEEDER SCREW, Brake
3	05126309AA	1	2, 3, 6, 7						CAP, Bleeder
4									CALIPER, Disc Brake
	05135642AA	1							Teves/Jurid, Right
	05135643AA	1							Teves/Jurid, Left
5	05103583AB	2	2, 3, 6, 7						SENSOR, Brake wearRight or Left
6	05139906AA	2	2, 6						SPRING, Brake Pad Retraction
7									PAD KIT, Disc Brake
	05103556AC	1	2, 6						Bosch
	VP101790								Mopar V-Line Alternative Part
		1	3, 7						Bosch
	VP101790								Mopar V-Line Alternative Part
	05103794AA	1							Galfer
	05135895AA	1							Teves
8	05139464AA	4							SCREW
9	05103631AA	1							ADAPTER, Disc Brake Caliper
10	05103632AA	1							PIN KIT, Disc Brake
11	05114556AA	1							BUSHING, Caliper
12									ROTOR, Brake
	05103602AC	1							With 15 Inch Wheels-From Front Axle S 482214/Y422060, Right or Left
	05104561AA	1							With 15 Inch Wheels-Up To Front Axle S482213/Y422060, Right or Left
	05114479AA	1							With 16 Inch Wheels, Right or Left
13									SCREW

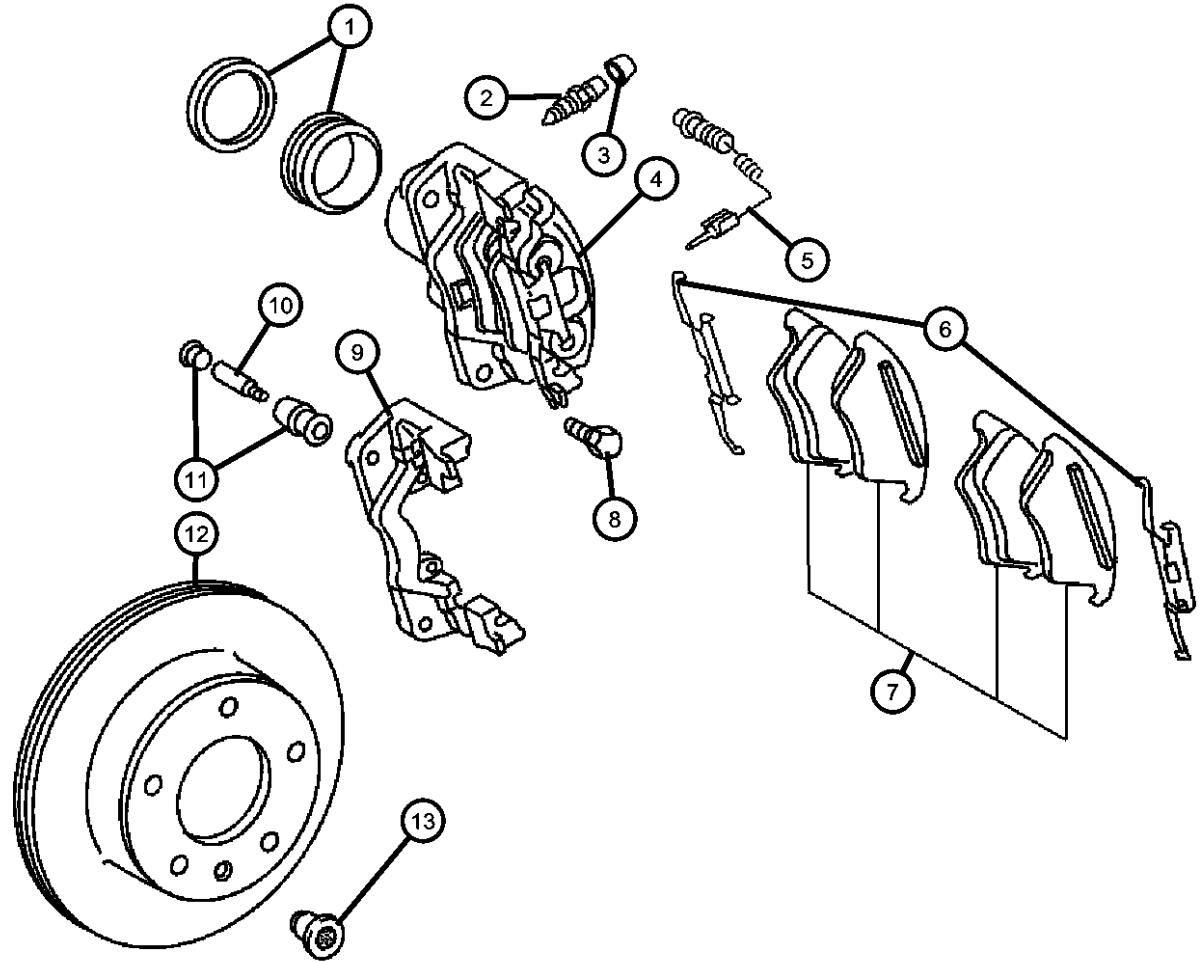
SPRINTER (VA)

SERIES	LINE	BODY	ENGINE	TRANSMISSION
L = LOWLINE	3 = HD DODGE 2WD 8 = HD DODGE 4WD 6 = Lt. Duty DODGE 4WD 2 = Med. Duty DODGE 2WD 7 = Med. Duty DODGE 4WD 4 = TRUCK	12 = Van 140" 51 = Wagon 118" 52 = Wagon 140" 14 = Van 118" 15 = Van 140" 16 = Van 158" 54 = Wagon 118" 55 = Wagon 140" 56 = Wagon 158" 01 = Chassis Forward Control 118" 02 = Chassis Forward Control 140" 06 = Front Section 158" 11 = Van 118"	EX8 = Engine - 2.7L I5 Mercedes-Benz TD	DGJ = Transmission - 5-Spd Auto, MB

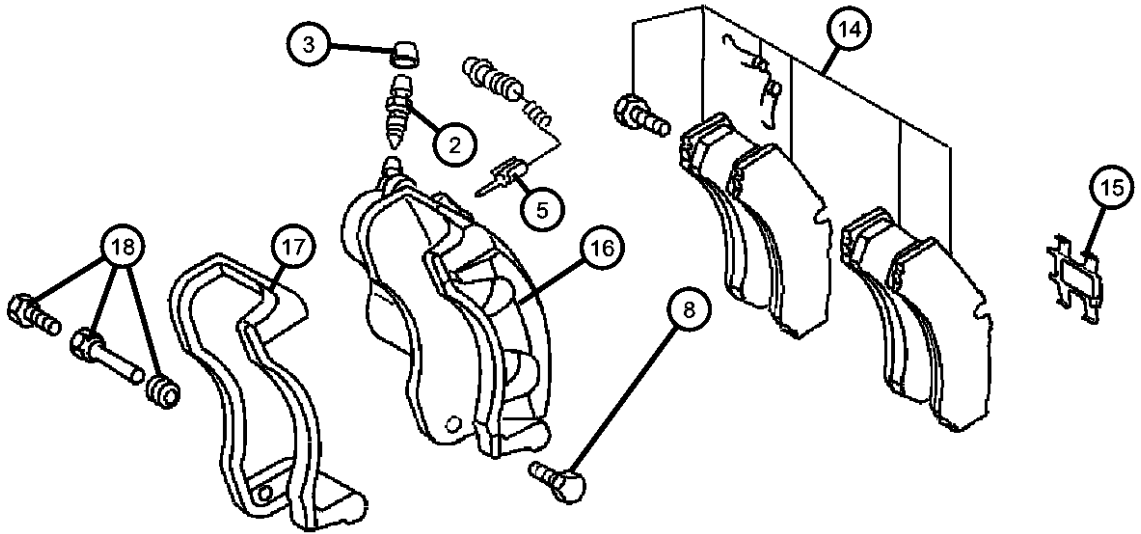
AR = use ase required - = Non illustrated part

2005 VA

Brakes, Front
Figure 5-110



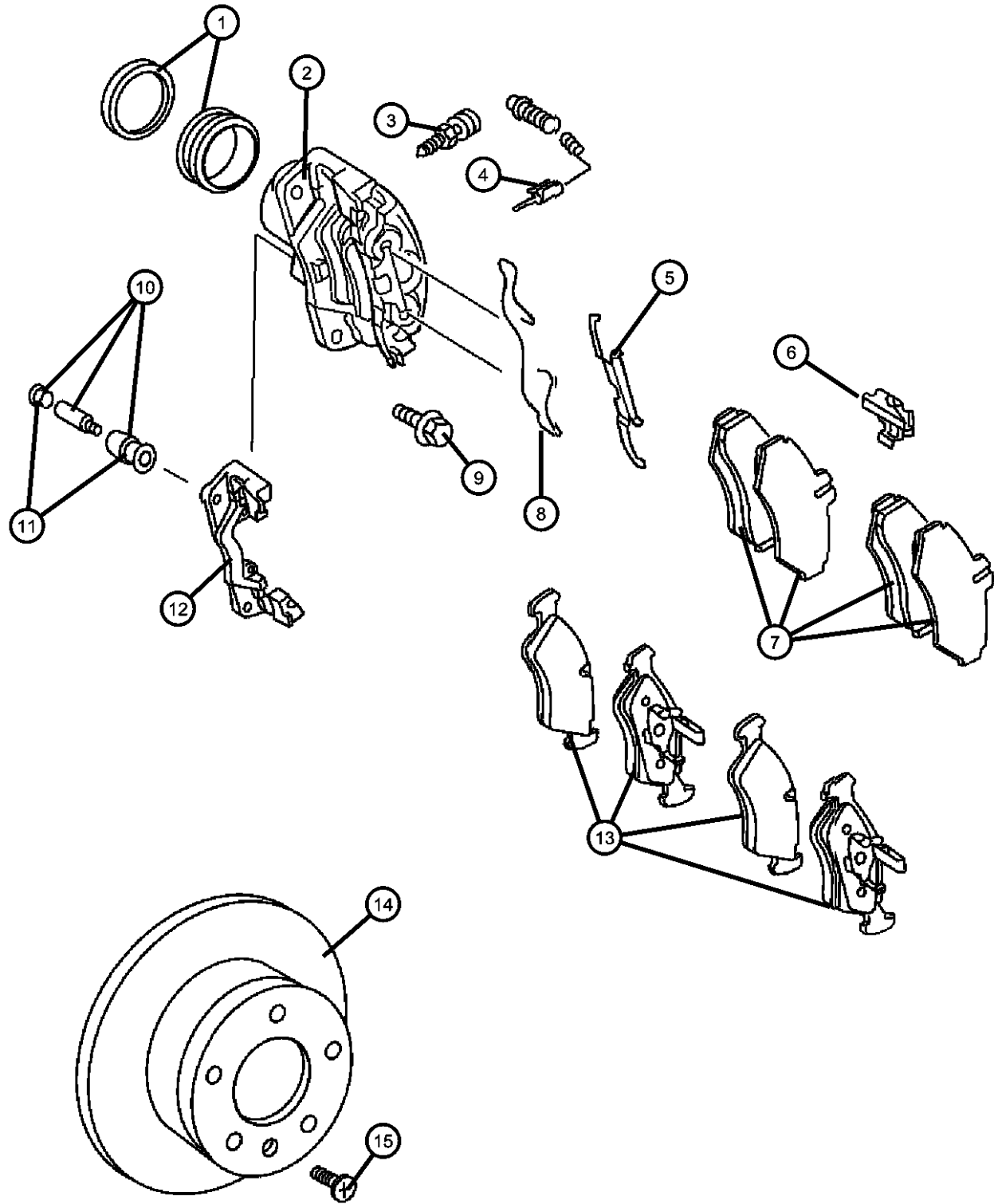
ITEM	PART NUMBER	QTY	LINE	SERIES	BODY	ENGINE	TRANS	TRIM	DESCRIPTION
	05104621AA	2							M8-Up To Front Axle S482213/Y422060
	05139361AA	2							M12-From Front Axle S 482214/Y422060
14									PAD KIT, Disc Brake
	05103556AC	2	2, 6						Without Wabco/Perrot
	VP101790								Mopar V-Line Alternative Part
		2	3, 7						Without Wabco/Perrot
	VP101790								Mopar V-Line Alternative Part
	05103790AA	1							Wabco/Perrot
	VP101790								Mopar V-Line Alternative Part
15	05103635AA	2							RETAINER, Brake Hold Down Spring
16									CALIPER, Disc Brake
	05127482AA	1							Bosch, Right
	05127483AA	1							Bosch, Left
	05127486AA	1							Wabco/Perrot, Right
	05135215AA	1							Wabco/Perrot, Left
17									ADAPTER, Disc Brake Caliper
	05135915AA	1							Bosch
	05135916AA	1							Wabco/Perrot
18									PIN KIT, Disc Brake
	05103729AA	1							Bosch
	05103630AA	1							Wabco/Perrot



SPRINTER (VA)				
SERIES	LINE	BODY	ENGINE	TRANSMISSION
L = LOWLINE	3 = HD DODGE 2WD 8 = HD DODGE 4WD 6 = Lt. Duty DODGE 4WD 2 = Med. Duty DODGE 2WD 7 = Med. Duty DODGE 4WD 4 = TRUCK	12 = Van 140" 51 = Wagon 118" 52 = Wagon 140" 14 = Van 118" 15 = Van 140" 16 = Van 158" 54 = Wagon 118" 55 = Wagon 140" 56 = Wagon 158" 01 = Chassis Forward Control 118" 02 = Chassis Forward Control 140" 06 = Front Section 158" 11 = Van 118"	EX8 = Engine - 2.7L I5 Mercedes-Benz TD	DGJ = Transmission - 5-Spd Auto, MB

AR = use ase required - = Non illustrated part

**Brakes,Rear,272MM / [2500] Series
Figure 5-210**



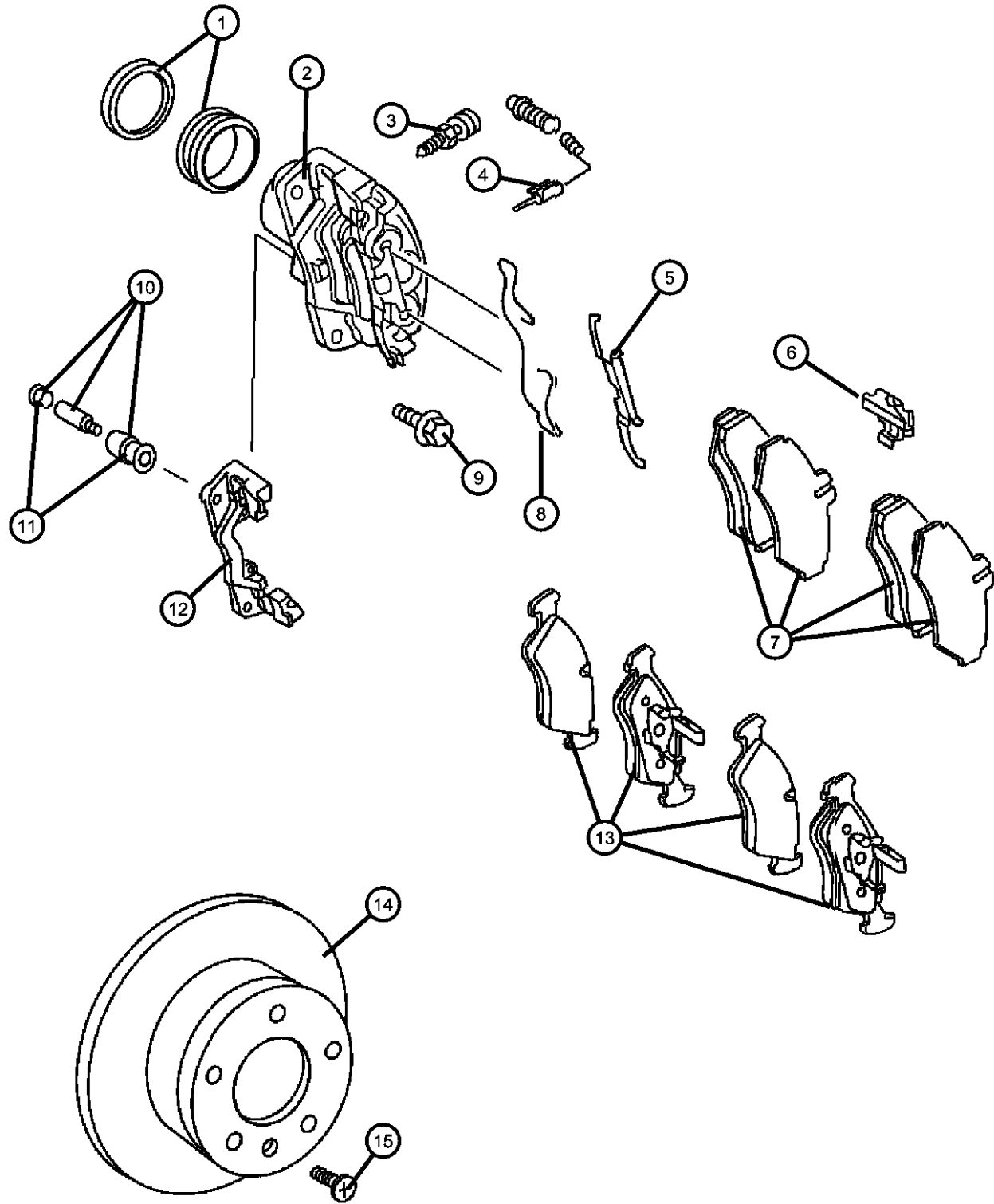
ITEM	PART NUMBER	QTY	LINE	SERIES	BODY	ENGINE	TRANS	TRIM	DESCRIPTION
1	05139263AA	1	2, 6						SEAL, Caliper Piston Teves
	05139264AA	1	2, 6						Bosch
2	05135897AA	1	2, 6						CALIPER, Disc Brake Teves, Right
	05135898AA	1	2, 6						Teves, Left
	05103741AA	1	2, 6						Bosch, Left
	05103742AA	1	2, 6						Bosch, Right
3	05139245AA	1	6, 2						BLEEDER SCREW, Brake Teves
	05139258AA	1	2, 6						Bosch
4	05103583AB	2	2, 3, 6, 7						SENSOR, Brake wearRight or Left
5	05139265AA	1	2, 3, 6, 7						SPRING, Retainer, Teves,Jurid, Right or Left
6	05103634AA	1	2, 6						CLIP, Brake Anti-Rattle
7	05103557AA	1	2, 6						PAD KIT, Disc Brake Bosch,Ferodo
	05139260AA	1	2, 6						Bosch,Jurid
8	05139266AA	1	2, 6						SPRING, Retainer, Teves,Textar, Right or Left
9	06104234AA	2							SCREW
10	05103632AA	1							PIN KIT, Disc Brake Teves
	05103729AA	1							Bosch
11	05114556AA	1							BUSHING, Caliper, Teves
12	05103633AA	1							ADAPTER, Disc Brake Caliper Bosch, Right or Left
	05135747AA	1							Teves, Right or Left

SPRINTER (VA)

SERIES	LINE	BODY	ENGINE	TRANSMISSION
L = LOWLINE	3 = HD DODGE 2WD 8 = HD DODGE 4WD 6 = Lt. Duty DODGE 4WD 2 = Med. Duty DODGE 2WD 7 = Med. Duty DODGE 4WD 4 = TRUCK	12 = Van 140" 51 = Wagon 118" 52 = Wagon 140" 14 = Van 118" 15 = Van 140" 16 = Van 158" 54 = Wagon 118" 55 = Wagon 140" 56 = Wagon 158" 01 = Chassis Forward Control 118" 02 = Chassis Forward Control 140" 06 = Front Section 158" 11 = Van 118"	EX8 = Engine - 2.7L I5 Mercedes-Benz TD	DGJ = Transmission - 5-Spd Auto, MB

AR = use ase required - = Non illustrated part

**Brakes,Rear,272MM / [2500] Series
Figure 5-210**



ITEM	PART NUMBER	QTY	LINE	SERIES	BODY	ENGINE	TRANS	TRIM	DESCRIPTION
13	05103550AA	1	2, 3, 6, 7						PAD KIT, Disc Brake, Teves
14	05103603AA	2	2, 6		11, 12, 14, 15, 16				ROTOR, Brake Right or Left
		2	2, 6		51, 52, 54, 55, 56				Right or Left
15	05139361AA	2							SCREW

SPRINTER (VA)

SERIES

L = LOWLINE

LINE

3 = HD DODGE 2WD
8 = HD DODGE 4WD
6 = Lt. Duty DODGE 4WD
2 = Med. Duty DODGE 2WD
7 = Med. Duty DODGE 4WD
4 = TRUCK

BODY

12 = Van 140"
51 = Wagon 118"
52 = Wagon 140"
14 = Van 118"
15 = Van 140"
16 = Van 158"
54 = Wagon 118"
55 = Wagon 140"
56 = Wagon 158"
01 = Chassis Forward Control
118"
02 = Chassis Forward Control
140"
06 = Front Section 158"
11 = Van 118"

ENGINE

EX8 = Engine - 2.7L I5
Mercedes-Benz TD

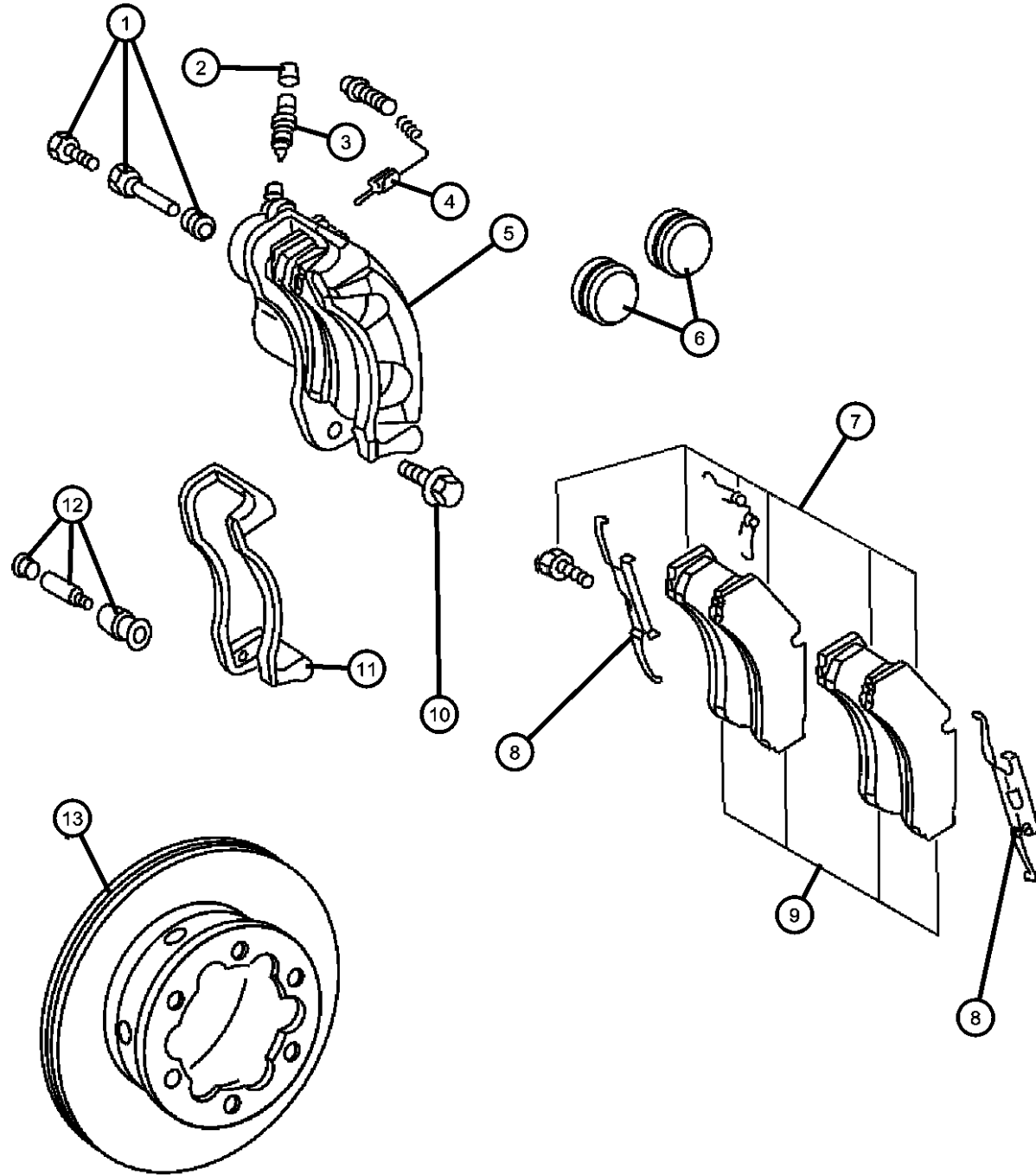
TRANSMISSION

DGJ = Transmission - 5-Spd Auto, MB

AR = use ase required - = Non illustrated part

2005 VA

**Brakes,Rear,285MM / [3500] Series
Figure 5-220**



ITEM	PART NUMBER	QTY	LINE	SERIES	BODY	ENGINE	TRANS	TRIM	DESCRIPTION
------	-------------	-----	------	--------	------	--------	-------	------	-------------

Note: You must check the brand name on the old caliper to determine which one to order.

1	05103630AA	1							PIN KIT, Disc BrakeRight or Left
2	05126309AA	1	2, 3, 6, 7						CAP, Bleeder
3									BLEEDER SCREW, Brake
	05139258AA	1	2, 6						Bosch
	05139259AA	1							Perrot/Wabco,Textar
4	05103583AB	2	2, 3, 6, 7						SENSOR, Brake wearRight or Left
5									CALIPER, Disc Brake
	05127486AA	1							Wabco, Right
	05135215AA	1							Wabco, Left
	05135917AA	1	3, 7						Bosch, Right
	05135918AA	1	3, 7						Bosch, Left
6	05139261AA	1							SEAL, Caliper Piston, Bosch,Textar
7	05103790AA	1							PAD KIT, Disc Brake, Perrot/Wabco,Textar
	VP101790								Mopar V-Line Alternative Part
8	05103635AA	2							RETAINER, Brake Hold Down Spring, Bosch,Textar
9									PAD KIT, Disc Brake
	05103556AC	2	2, 6						Bosch,Textar
	VP101790								Mopar V-Line Alternative Part
		2	3, 7						Bosch,Textar
	VP101790								Mopar V-Line Alternative Part
10	05139464AA	4							SCREW
11									ADAPTER, Disc Brake Caliper
	05135915AA	1							Bosch
	05135916AA	1							Wabco
12	05103729AA	1							PIN KIT, Disc Brake, Teilesatz,Bosch
13									ROTOR, Brake

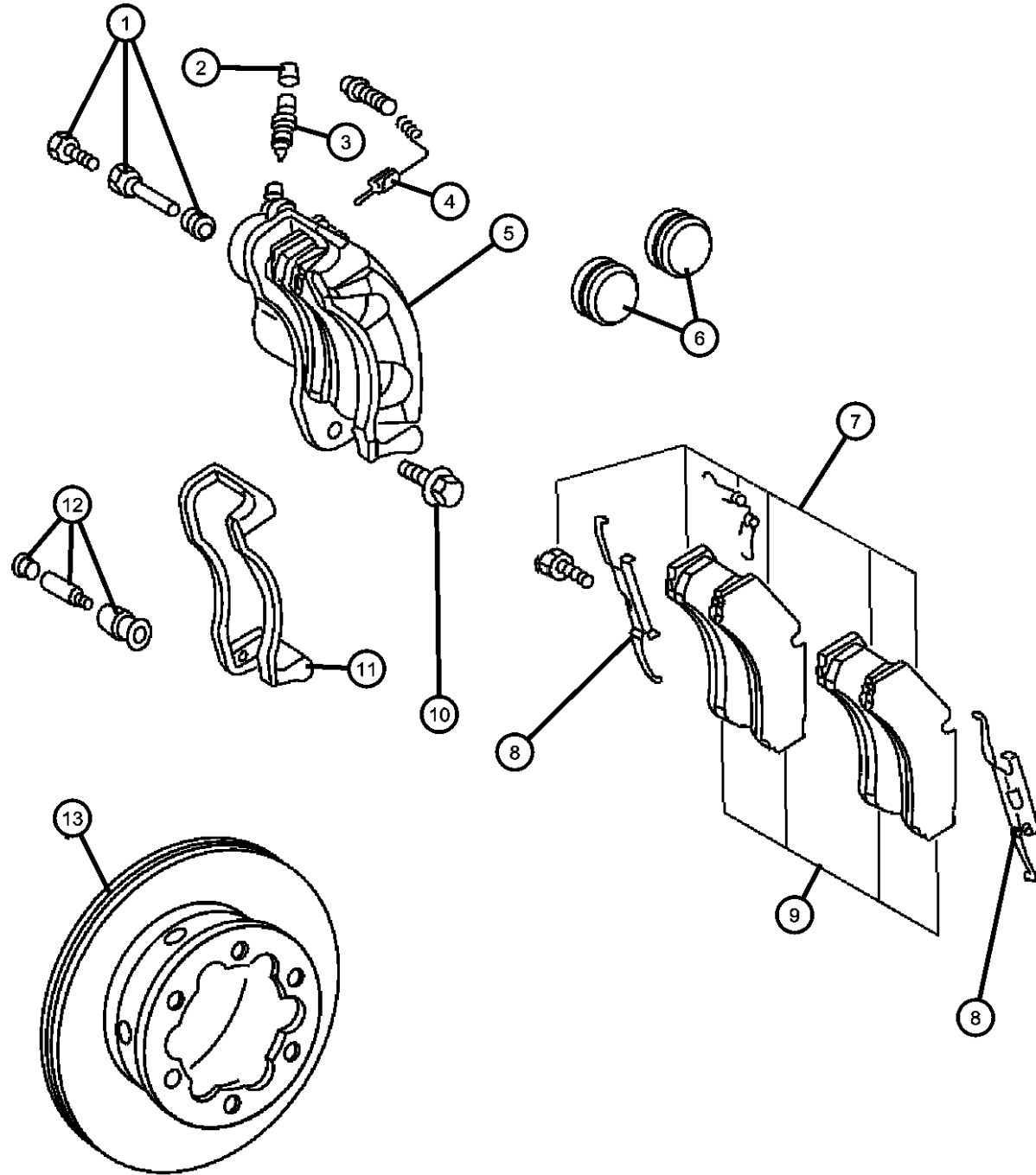
SPRINTER (VA)

SERIES	LINE	BODY	ENGINE	TRANSMISSION
L = LOWLINE	3 = HD DODGE 2WD 8 = HD DODGE 4WD 6 = Lt. Duty DODGE 4WD 2 = Med. Duty DODGE 2WD 7 = Med. Duty DODGE 4WD 4 = TRUCK	12 = Van 140" 51 = Wagon 118" 52 = Wagon 140" 14 = Van 118" 15 = Van 140" 16 = Van 158" 54 = Wagon 118" 55 = Wagon 140" 56 = Wagon 158" 01 = Chassis Forward Control 118" 02 = Chassis Forward Control 140" 06 = Front Section 158" 11 = Van 118"	EX8 = Engine - 2.7L I5 Mercedes-Benz TD	DGJ = Transmission - 5-Spd Auto, MB

AR = use ase required - = Non illustrated part

**Brakes,Rear,285MM / [3500] Series
Figure 5-220**

ITEM	PART NUMBER	QTY	LINE	SERIES	BODY	ENGINE	TRANS	TRIM	DESCRIPTION
------	-------------	-----	------	--------	------	--------	-------	------	-------------



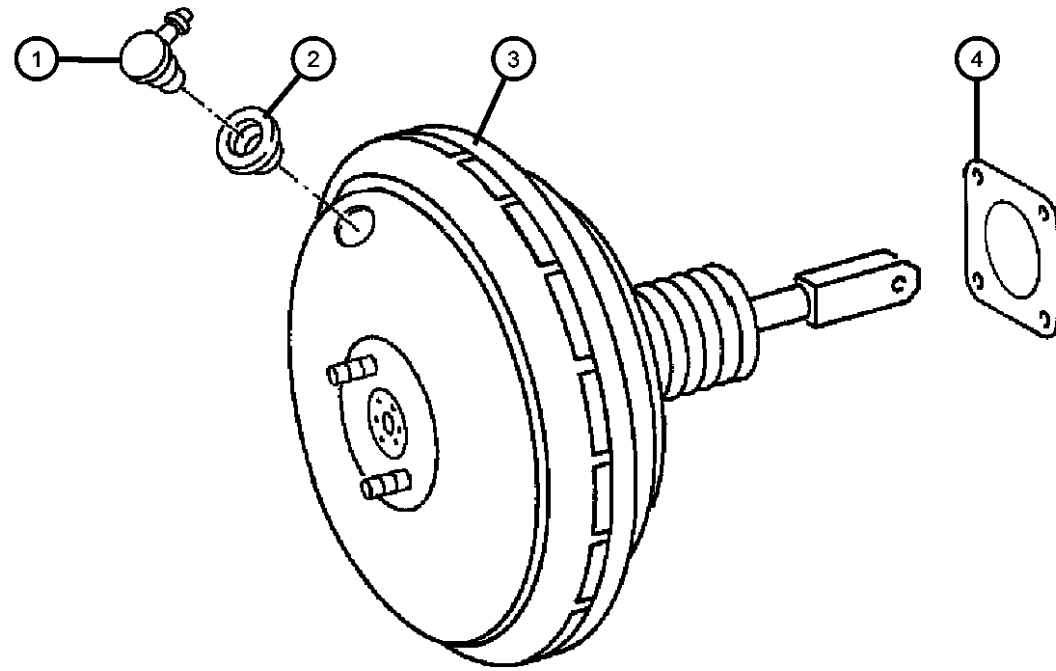
	05103603AA	2	2, 6		11, 12, 14, 15, 16				
		2	2, 6		52, 54, 55, 56, 51				
	05103606AA	2	3, 7						

SPRINTER (VA)

SERIES	LINE	BODY	ENGINE	TRANSMISSION
L = LOWLINE	3 = HD DODGE 2WD 8 = HD DODGE 4WD 6 = Lt. Duty DODGE 4WD 2 = Med. Duty DODGE 2WD 7 = Med. Duty DODGE 4WD 4 = TRUCK	12 = Van 140" 51 = Wagon 118" 52 = Wagon 140" 14 = Van 118" 15 = Van 140" 16 = Van 158" 54 = Wagon 118" 55 = Wagon 140" 56 = Wagon 158"	EX8 = Engine - 2.7L I5 Mercedes-Benz TD	DGJ = Transmission - 5-Spd Auto, MB
		01 = Chassis Forward Control 118"		
		02 = Chassis Forward Control 140"		
		06 = Front Section 158"		
		11 = Van 118"		

AR = use ase required - = Non illustrated part

Booster
Figure 5-310



ITEM	PART NUMBER	QTY	LINE	SERIES	BODY	ENGINE	TRANS	TRIM	DESCRIPTION
1									VALVE, Brake Booster Check
	05119362AA	1	2, 6		01, 02, 06				
		1	2, 6		11, 12, 14, 15, 16				
		1	2, 6		51, 52, 54, 55, 56				
		1	3, 7		02, 06				
		1	3, 7		12, 15, 16				
2									GASKET
	05133696AA	1	2, 6		01, 02, 06				Vacuum Line to Booster
		1	2, 6		11, 12, 14, 15, 16				Vacuum Line to Booster
		1	2, 6		51, 52, 54, 55, 56				Vacuum Line to Booster
		1	3, 7		02, 06				Vacuum Line to Booster
		1	3, 7		12, 15, 16				Vacuum Line to Booster
3									BOOSTER, Power Brake
	05119372AA	1	2, 6		01, 02, 06				
		1	2, 6		11, 12, 14, 15, 16				
		1	2, 6		51, 52, 54, 55, 56				
		1	3, 7		02, 06				
		1	3, 7		12, 15, 16				
4									GASKET, Booster To Dash
	05119386AA	1	2, 6		01, 02, 06				
		1	2, 6		11, 12, 14, 15, 16				
		1	2, 6		51, 52, 54, 55, 56				
		1	3, 7		02, 06				
		1	3, 7		12, 15, 16				

SPRINTER (VA)

SERIES

L = LOWLINE

LINE

3 = HD DODGE 2WD
8 = HD DODGE 4WD
6 = Lt. Duty DODGE 4WD
2 = Med. Duty DODGE 2WD
7 = Med. Duty DODGE 4WD
4 = TRUCK

BODY

12 = Van 140"
51 = Wagon 118"
52 = Wagon 140"
14 = Van 118"
15 = Van 140"
16 = Van 158"
54 = Wagon 118"
55 = Wagon 140"
56 = Wagon 158"
01 = Chassis Forward Control 118"
02 = Chassis Forward Control 140"
06 = Front Section 158"
11 = Van 118"

ENGINE

EX8 = Engine - 2.7L I5
Mercedes-Benz TD

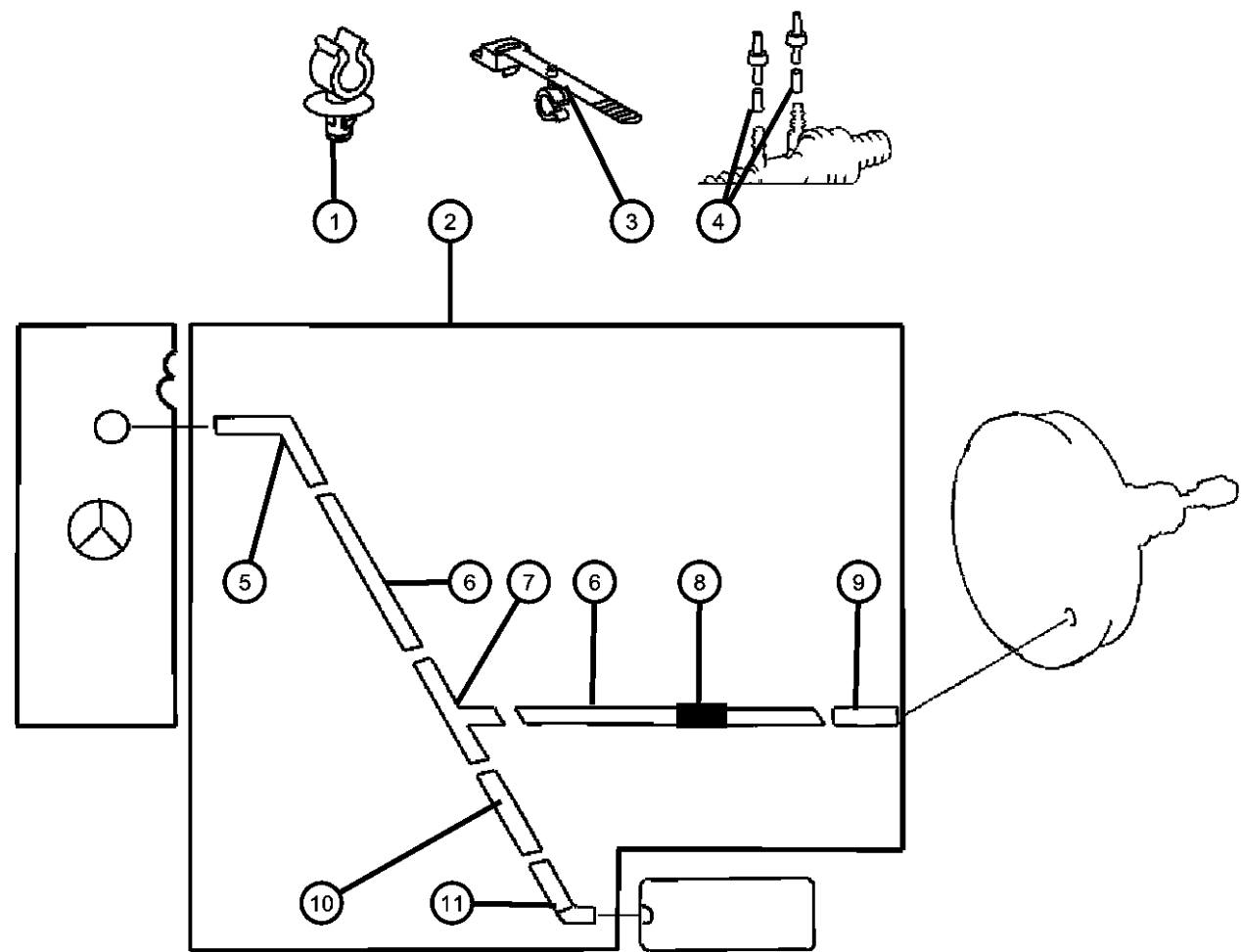
TRANSMISSION

DGJ = Transmission - 5-Spd Auto, MB

AR = use ase required - = Non illustrated part

Vacuum Lines
Figure 5-320

ITEM	PART NUMBER	QTY	LINE	SERIES	BODY	ENGINE	TRANS	TRIM	DESCRIPTION
1	05125578AA	2	3, 7		02, 06				CLIP, Brake Line
		2	3, 7		12, 15, 16				
2	05119349AA	1	3, 7		02, 06				HARNESS, Vacuum
		1	3, 7		12, 15, 16				
	05129239AA	1	2, 6		01, 02, 06				
		1	2, 6		11, 12, 14, 15, 16				
		1	2, 6		51, 52, 54, 55, 56				
3	06104770AA	1	2, 6		01, 02, 06				STRAP
		1	2, 6		11, 12, 14, 15, 16				
		1	2, 6		51, 52, 54, 55, 56				
		99	3, 7		02, 06				
		99	3, 7		12, 15, 16				
4	05080390AB	1	2, 6		01, 02, 06				HOSE
		1	2, 6		11, 12, 14, 15, 16				
		1	2, 6		51, 52, 54, 55, 56				
		1	3, 7		02, 06				
		1	3, 7		12, 15, 16				
5	05126007AA	1	3, 7		12, 15, 16				CONNECTOR
		1	2, 6		01, 02, 06				
		1	2, 6		11, 12, 14, 15, 16				

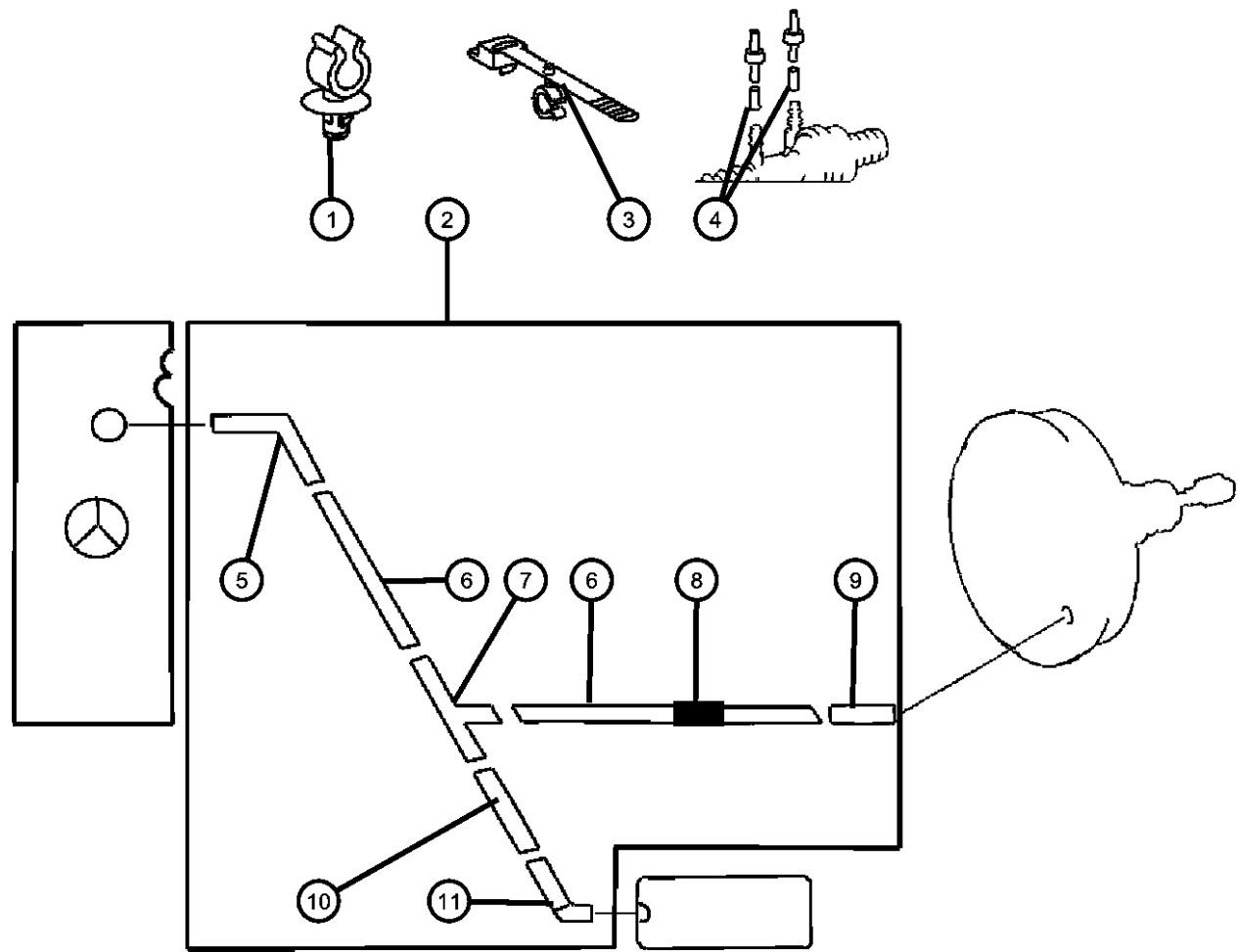


SPRINTER (VA)

SERIES	LINE	BODY	ENGINE	TRANSMISSION
L = LOWLINE	3 = HD DODGE 2WD 8 = HD DODGE 4WD 6 = Lt. Duty DODGE 4WD 2 = Med. Duty DODGE 2WD 7 = Med. Duty DODGE 4WD 4 = TRUCK	12 = Van 140" 51 = Wagon 118" 52 = Wagon 140" 14 = Van 118" 15 = Van 140" 16 = Van 158" 54 = Wagon 118" 55 = Wagon 140" 56 = Wagon 158" 01 = Chassis Forward Control 118" 02 = Chassis Forward Control 140" 06 = Front Section 158" 11 = Van 118"	EX8 = Engine - 2.7L I5 Mercedes-Benz TD	DGJ = Transmission - 5-Spd Auto, MB

AR = use ase required - = Non illustrated part

Vacuum Lines
Figure 5-320



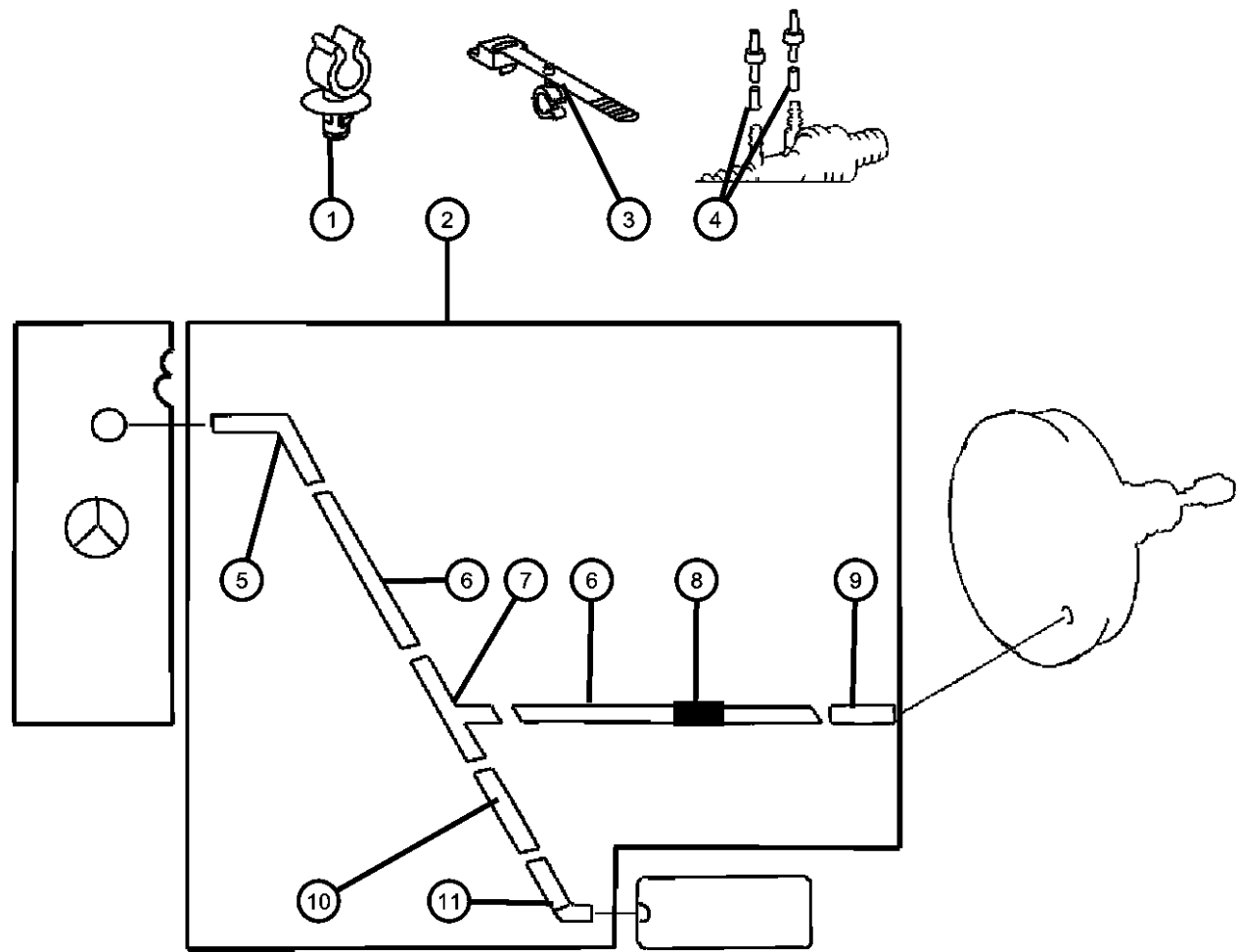
ITEM	PART NUMBER	QTY	LINE	SERIES	BODY	ENGINE	TRANS	TRIM	DESCRIPTION
		1	2, 6		51, 52, 54, 55, 56				
		1	3, 7		02, 06				
6	05119395AA	1	2, 6		01, 02, 06				HOSE, Vacuum
		1	2, 6		11, 12, 14, 15, 16				
		1	2, 6		51, 52, 54, 55, 56				
		1	3, 7		02, 06				
		1	3, 7		12, 15, 16				
7	05119363AA	1	3, 7		02, 06				TEE, Vacuum hose
		1	3, 7		12, 15, 16				
8	05125507AB	2	2, 6		01, 02, 06				WASHER
		2	2, 6		11, 12, 14, 15, 16				5 Meters Long
		2	2, 6		51, 52, 54, 55, 56				5 Meters Long
		2	3, 7		12, 15, 16				5 Meters Long
9	05119362AA	1	3, 7		12, 15, 16				VALVE, Brake Booster Check
		1	2, 6		01, 02, 06				
		1	2, 6		11, 12, 14, 15, 16				
		1	2, 6		51, 52, 54, 55, 56				
		1	3, 7		02, 06				
10	05119397AA	1	3, 7		02, 06				HOSE, Vacuum
		1	3, 7		12, 15, 16				

SPRINTER (VA)				
SERIES	LINE	BODY	ENGINE	TRANSMISSION
L = LOWLINE	3 = HD DODGE 2WD 8 = HD DODGE 4WD 6 = Lt. Duty DODGE 4WD 2 = Med. Duty DODGE 2WD 7 = Med. Duty DODGE 4WD 4 = TRUCK	12 = Van 140" 51 = Wagon 118" 52 = Wagon 140" 14 = Van 118" 15 = Van 140" 16 = Van 158" 54 = Wagon 118" 55 = Wagon 140" 56 = Wagon 158" 01 = Chassis Forward Control 118" 02 = Chassis Forward Control 140" 06 = Front Section 158" 11 = Van 118"	EX8 = Engine - 2.7L I5 Mercedes-Benz TD	DGJ = Transmission - 5-Spd Auto, MB

AR = use ase required - = Non illustrated part

Vacuum Lines
Figure 5-320

ITEM	PART NUMBER	QTY	LINE	SERIES	BODY	ENGINE	TRANS	TRIM	DESCRIPTION
	05119392AA	1							
11									COUPLING, Male
	05125804AA	1	3, 7		02, 06				
		1	3, 7		12, 15, 16				
-12	05098383AA	1	2, 3, 6, 7						CAP, Nut

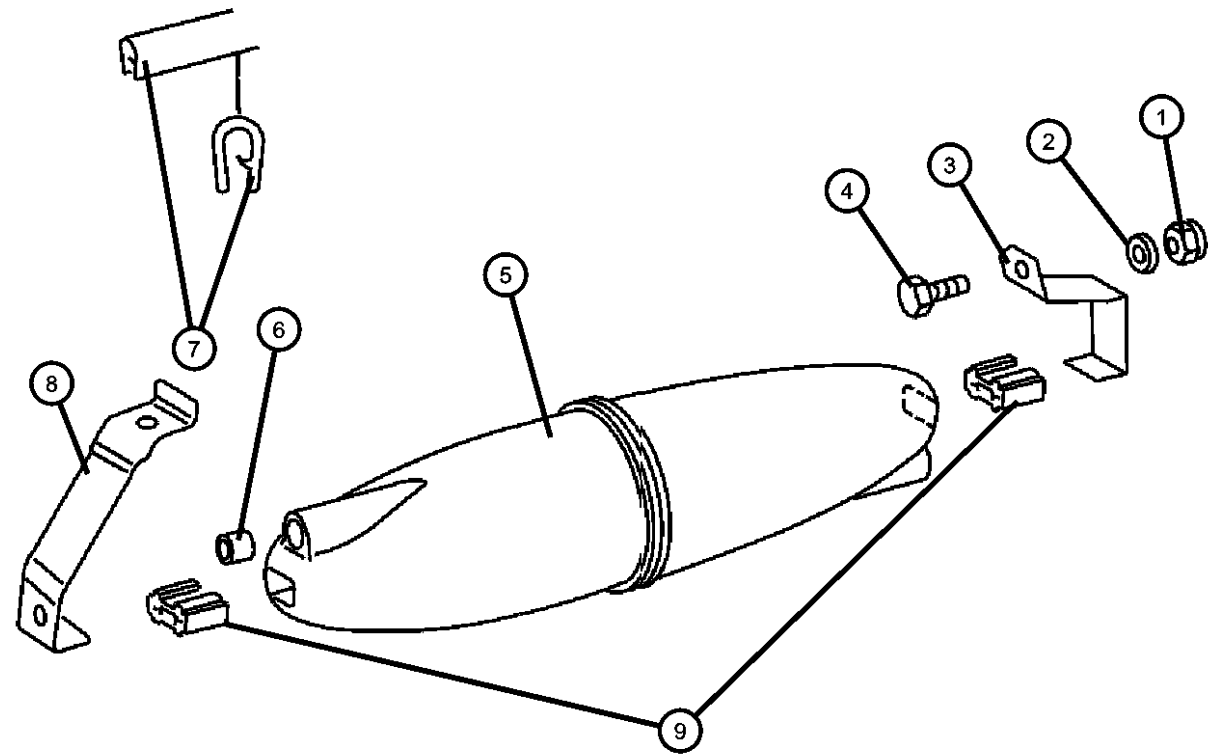


SPRINTER (VA)

SERIES	LINE	BODY	ENGINE	TRANSMISSION
L = LOWLINE	3 = HD DODGE 2WD 8 = HD DODGE 4WD 6 = Lt. Duty DODGE 4WD 2 = Med. Duty DODGE 2WD 7 = Med. Duty DODGE 4WD 4 = TRUCK	12 = Van 140" 51 = Wagon 118" 52 = Wagon 140" 14 = Van 118" 15 = Van 140" 16 = Van 158" 54 = Wagon 118" 55 = Wagon 140" 56 = Wagon 158" 01 = Chassis Forward Control 118" 02 = Chassis Forward Control 140" 06 = Front Section 158" 11 = Van 118"	EX8 = Engine - 2.7L I5 Mercedes-Benz TD	DGJ = Transmission - 5-Spd Auto, MB

AR = use ase required - = Non illustrated part

Vacuum Reservoir
Figure 5-330



ITEM	PART NUMBER	QTY	LINE	SERIES	BODY	ENGINE	TRANS	TRIM	DESCRIPTION
1									NUT, Hex
	05126237AA	4	2, 6		01, 02, 06				
		4	2, 6		11, 12, 14, 15, 16				
		4	2, 6		51, 52, 54, 55, 56				
		2	3, 7		02, 06				
		2	3, 7		12, 15, 16				
2		2							WASHER, Flat, M8, (NOT SERVICED)
3									BRACKET, Vacuum Reservoir
	05119388AA	1	3, 7		02, 06				
		1	3, 7		12, 15, 16				
4									BOLT
	05104655AA	1	2, 6		01, 02, 06				
		1	2, 6		11, 12, 14, 15, 16				
		1	2, 6		51, 52, 54, 55, 56				
		1	3, 7		02, 06				
		1	3, 7		12, 15, 16				
5									RESERVOIR, Vacuum
	05119357AA	1	3, 7		02, 06				
		1	3, 7		12, 15, 16				
6									SEAL, Vacuum Line
	05119400AA	1	3, 7		02, 06				
		1	3, 7		12, 15, 16				
7									GUARD, Edge
	05132721AA	100	3, 7		02, 06				10 Meters Long
		100	3, 7		12, 15, 16				10 Meters Long
8									BRACKET, Vacuum Reservoir

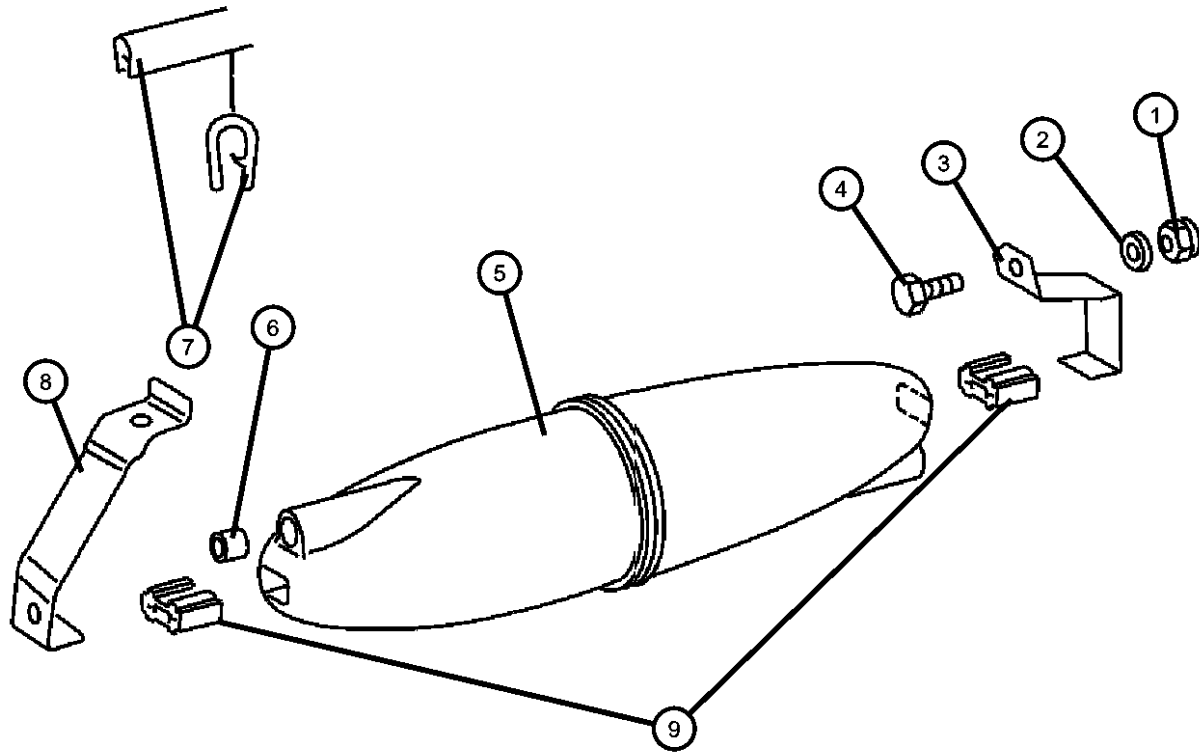
SPRINTER (VA)

SERIES	LINE	BODY	ENGINE	TRANSMISSION
L = LOWLINE	3 = HD DODGE 2WD	12 = Van 140"	EX8 = Engine - 2.7L I5	DGJ = Transmission - 5-Spd Auto, MB
	8 = HD DODGE 4WD	51 = Wagon 118"	Mercedes-Benz TD	
	6 = Lt. Duty DODGE 4WD	52 = Wagon 140"		
	2 = Med. Duty DODGE 2WD	14 = Van 118"		
	7 = Med. Duty DODGE 4WD	15 = Van 140"		
	4 = TRUCK	16 = Van 158"		
		54 = Wagon 118"		
		55 = Wagon 140"		
		56 = Wagon 158"		
		01 = Chassis Forward Control 118"		
		02 = Chassis Forward Control 140"		
		06 = Front Section 158"		
		11 = Van 118"		

AR = use ase required - = Non illustrated part

Vacuum Reservoir
Figure 5-330

ITEM	PART NUMBER	QTY	LINE	SERIES	BODY	ENGINE	TRANS	TRIM	DESCRIPTION
	05119388AA	1	3, 7		12, 15, 16				
		1	3, 7		02, 06				
9	05125498AA	2	3, 7		02, 06				ISOLATOR
		2	3, 7		12, 15, 16				

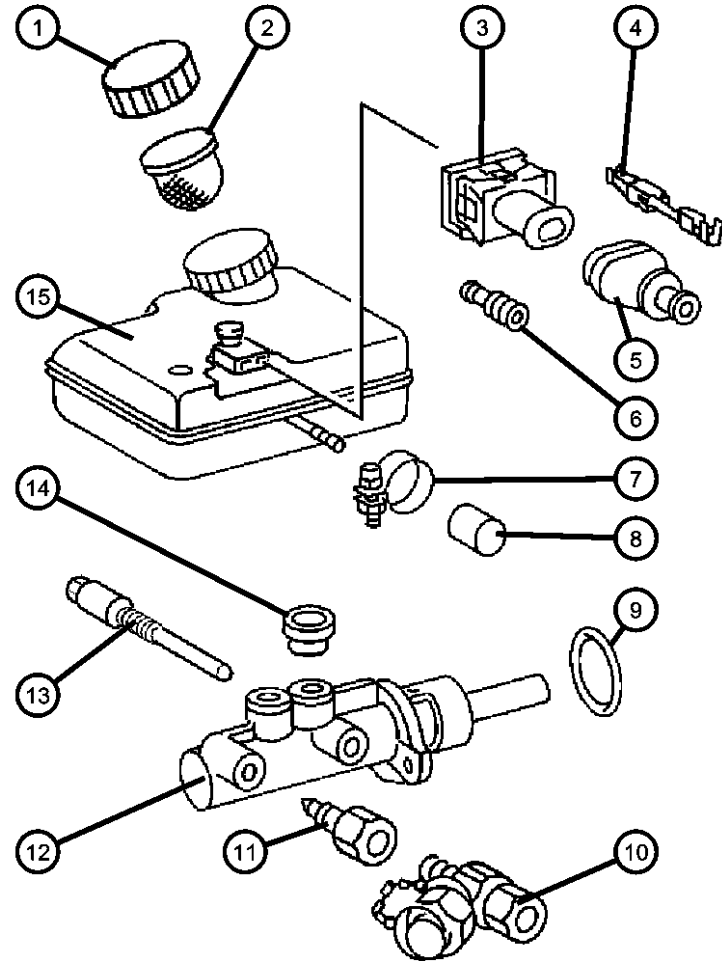


SPRINTER (VA)

SERIES	LINE	BODY	ENGINE	TRANSMISSION
L = LOWLINE	3 = HD DODGE 2WD 8 = HD DODGE 4WD 6 = Lt. Duty DODGE 4WD 2 = Med. Duty DODGE 2WD 7 = Med. Duty DODGE 4WD 4 = TRUCK	12 = Van 140" 51 = Wagon 118" 52 = Wagon 140" 14 = Van 118" 15 = Van 140" 16 = Van 158" 54 = Wagon 118" 55 = Wagon 140" 56 = Wagon 158" 01 = Chassis Forward Control 118" 02 = Chassis Forward Control 140" 06 = Front Section 158" 11 = Van 118"	EX8 = Engine - 2.7L I5 Mercedes-Benz TD	DGJ = Transmission - 5-Spd Auto, MB

AR = use ase required - = Non illustrated part

**Master Cylinder
Figure 5-410**



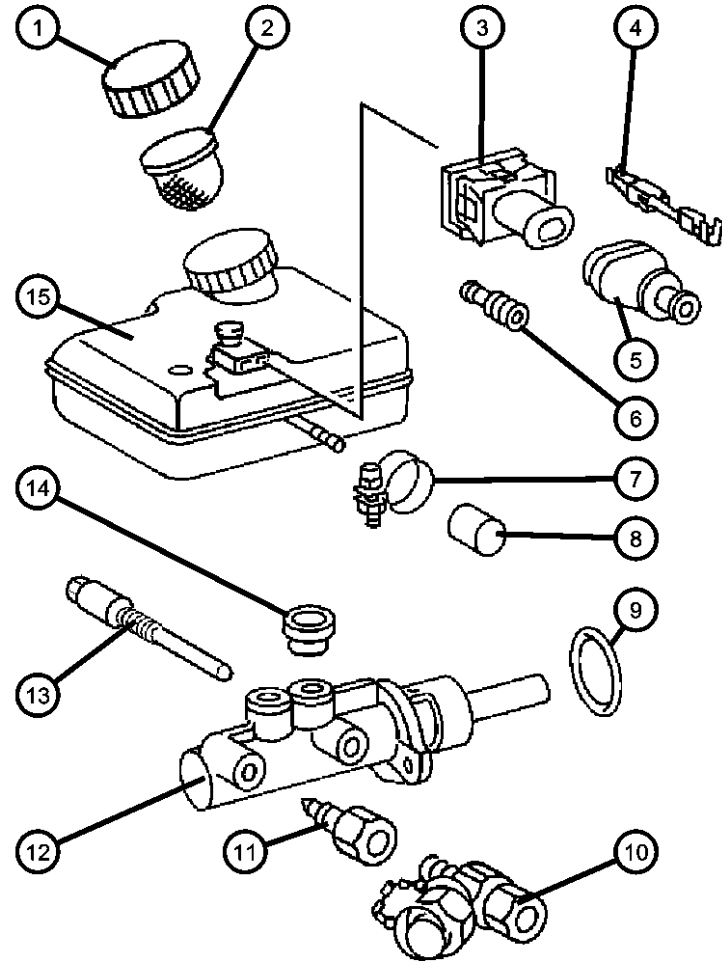
ITEM	PART NUMBER	QTY	LINE	SERIES	BODY	ENGINE	TRANS	TRIM	DESCRIPTION
Note: Sales Codes: [4DR]=Weight Variant 3.88T									
1									CAP, Master Cylinder Reservoir
	05098710AA	1	2, 6		01, 02, 06				
		1	2, 6		11, 12, 14, 15, 16				
		1	2, 6		51, 52, 54, 55, 56				
		1	3, 7		02, 06				
		1	3, 7		12, 15, 16				
2									FILTER, Brake Master Cylinder
	05119374AA	1	2, 6		01, 02, 06				
		1	2, 6		11, 12, 14, 15, 16				
		1	2, 6		51, 52, 54, 55, 56				
		1	3, 7		02, 06				
		1	3, 7		12, 15, 16				
3									CONNECTOR
	05120749AA	1	2, 6		01, 02, 06				
		1	2, 6		11, 12, 14, 15, 16				
		1	2, 6		51, 52, 54, 55, 56				
		1	3, 7		02, 06				
		1	3, 7		12, 15, 16				
4									TERMINAL
	05103880AA	99	2, 6		01, 02, 06				
		99	2, 6		11, 12, 14, 15, 16				
		99	2, 6		51, 52, 54, 55, 56				
		99	3, 7		02, 06				

SPRINTER (VA)

SERIES	LINE	BODY	ENGINE	TRANSMISSION
L = LOWLINE	3 = HD DODGE 2WD 8 = HD DODGE 4WD 6 = Lt. Duty DODGE 4WD 2 = Med. Duty DODGE 2WD 7 = Med. Duty DODGE 4WD 4 = TRUCK	12 = Van 140" 51 = Wagon 118" 52 = Wagon 140" 14 = Van 118" 15 = Van 140" 16 = Van 158" 54 = Wagon 118" 55 = Wagon 140" 56 = Wagon 158"	EX8 = Engine - 2.7L I5 Mercedes-Benz TD	DGJ = Transmission - 5-Spd Auto, MB
		01 = Chassis Forward Control 118" 02 = Chassis Forward Control 140" 06 = Front Section 158" 11 = Van 118"		

AR = use ase required - = Non illustrated part

Master Cylinder
Figure 5-410



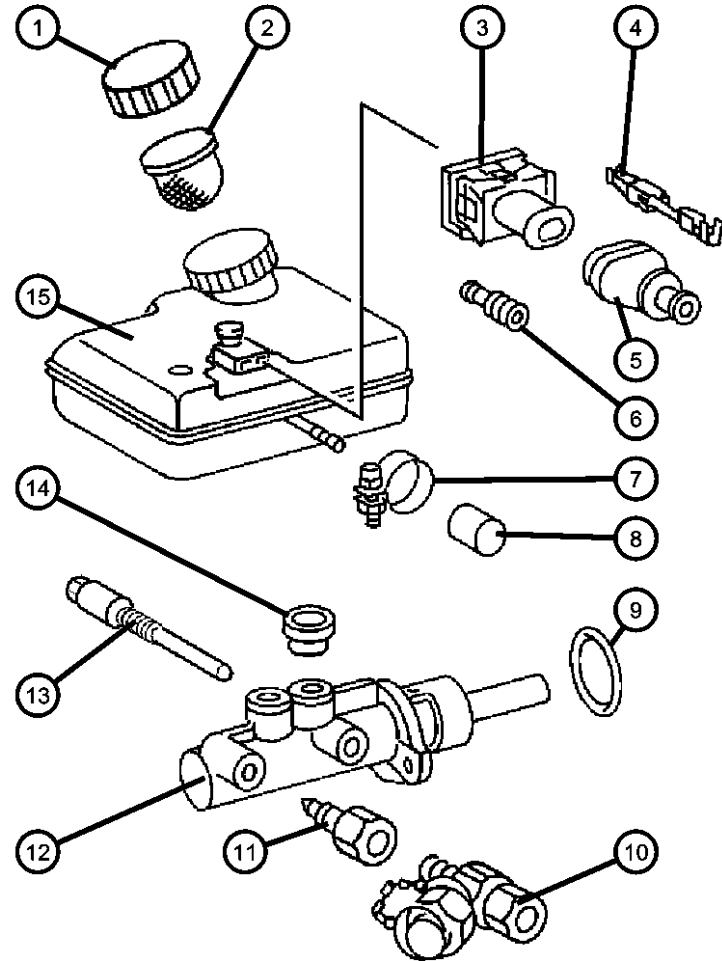
ITEM	PART NUMBER	QTY	LINE	SERIES	BODY	ENGINE	TRANS	TRIM	DESCRIPTION
5		99	3, 7		12, 15, 16				BOOT
	05120881AA	1	2, 6		01, 02, 06				
		1	2, 6		11, 12, 14, 15, 16				
		1	2, 6		51, 52, 54, 55, 56				
		1	3, 7		02, 06				
		1	3, 7		12, 15, 16				
6	05103661AA	1	2, 6		01, 02, 06				GASKET
		1	2, 6		11, 12, 14, 15, 16				
		1	2, 6		51, 52, 54, 55, 56				
		1	3, 7		02, 06				
		1	3, 7		12, 15, 16				
7	05080440AB	1	2, 6		01, 02, 06				CLAMP
		1	2, 6		11, 12, 14, 15, 16				
		1	2, 6		51, 52, 54, 55, 56				
		1	3, 7		02, 06				
		1	3, 7		12, 15, 16				
8	05119387AA	1	2, 6		01, 02, 06				CAP
		1	2, 6		11, 12, 14, 15, 16				
		1	2, 6		51, 52, 54, 55, 56				
		1	3, 7		02, 06				

SPRINTER (VA)

SERIES	LINE	BODY	ENGINE	TRANSMISSION
L = LOWLINE	3 = HD DODGE 2WD 8 = HD DODGE 4WD 6 = Lt. Duty DODGE 4WD 2 = Med. Duty DODGE 2WD 7 = Med. Duty DODGE 4WD 4 = TRUCK	12 = Van 140" 51 = Wagon 118" 52 = Wagon 140" 14 = Van 118" 15 = Van 140" 16 = Van 158" 54 = Wagon 118" 55 = Wagon 140" 56 = Wagon 158" 01 = Chassis Forward Control 118" 02 = Chassis Forward Control 140" 06 = Front Section 158" 11 = Van 118"	EX8 = Engine - 2.7L I5 Mercedes-Benz TD	DGJ = Transmission - 5-Spd Auto, MB

AR = use ase required - = Non illustrated part

Master Cylinder
Figure 5-410



ITEM	PART NUMBER	QTY	LINE	SERIES	BODY	ENGINE	TRANS	TRIM	DESCRIPTION
9		1	3, 7		12, 15, 16				GASKET
	05133695AA	1							
	05133696AA	1	2, 6		01, 02, 06				
10		2	2, 6		01, 02, 06				TEST, Heat treated hex head
	05103640AA	2	2, 6		01, 02, 06				
		2	2, 6		11, 12, 14, 15, 16				
		2	2, 6		51, 52, 54, 55, 56				
		1	3, 7		02, 06				
		1	3, 7		12, 15, 16				
11		1							FITTING, (NOT SERVICED)
12		1							CYLINDER, Brake Master
	05119354AA	1	2, 6		01, 02, 06				With [4DR]
		1	2, 6		11, 12, 14, 15, 16				With [4DR]
		1	2, 6		51, 52, 54, 55, 56				With [4DR]
		1	3, 7		02, 06				
		1	3, 7		12, 15, 16				
	05119355AA	1	2, 6		01, 02, 06				Without [4DR]
		1	2, 6		11, 12, 14, 15, 16				Without [4DR]
		1	2, 6		51, 52, 54, 55, 56				Without [4DR]
13		1							SCREW, (NOT SERVICED),
14	05103637AA	2							SEAL, Brake Cylinder To Reservoir
15		1							RESERVOIR, Brake Master Cylinder
	05119356AA	1	2, 6		01, 02, 06				

SPRINTER (VA)

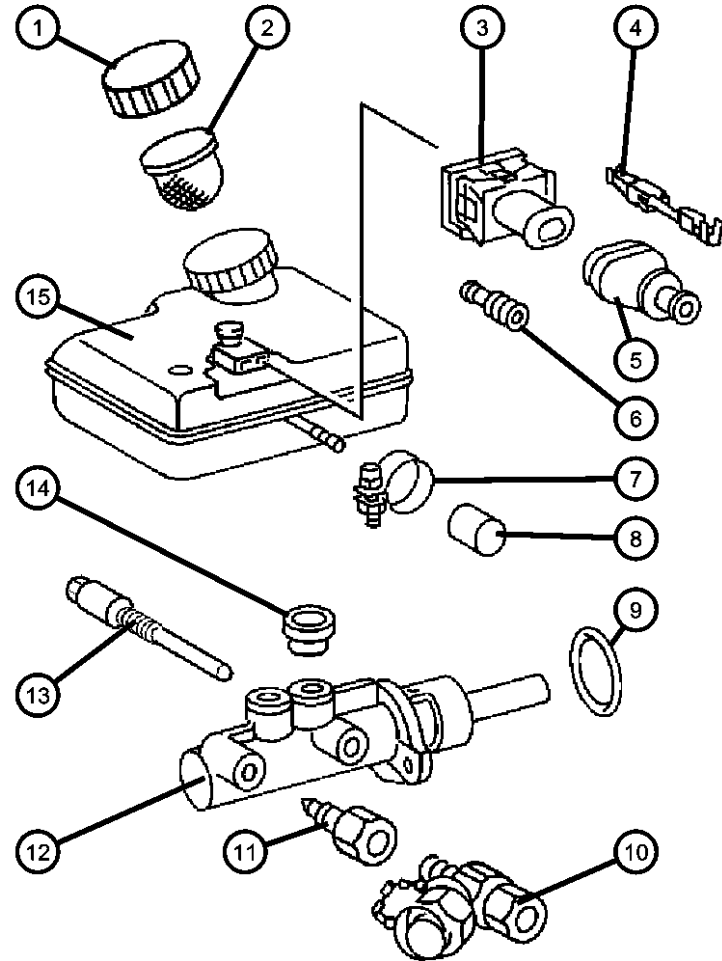
SERIES	LINE	BODY	ENGINE	TRANSMISSION
L = LOWLINE	3 = HD DODGE 2WD 8 = HD DODGE 4WD 6 = Lt. Duty DODGE 4WD 2 = Med. Duty DODGE 2WD 7 = Med. Duty DODGE 4WD 4 = TRUCK	12 = Van 140" 51 = Wagon 118" 52 = Wagon 140" 14 = Van 118" 15 = Van 140" 16 = Van 158" 54 = Wagon 118" 55 = Wagon 140" 56 = Wagon 158" 01 = Chassis Forward Control 118" 02 = Chassis Forward Control 140" 06 = Front Section 158" 11 = Van 118"	EX8 = Engine - 2.7L I5 Mercedes-Benz TD	DGJ = Transmission - 5-Spd Auto, MB

AR = use ase required - = Non illustrated part

2005 VA

**Master Cylinder
Figure 5-410**

ITEM	PART NUMBER	QTY	LINE	SERIES	BODY	ENGINE	TRANS	TRIM	DESCRIPTION
------	-------------	-----	------	--------	------	--------	-------	------	-------------



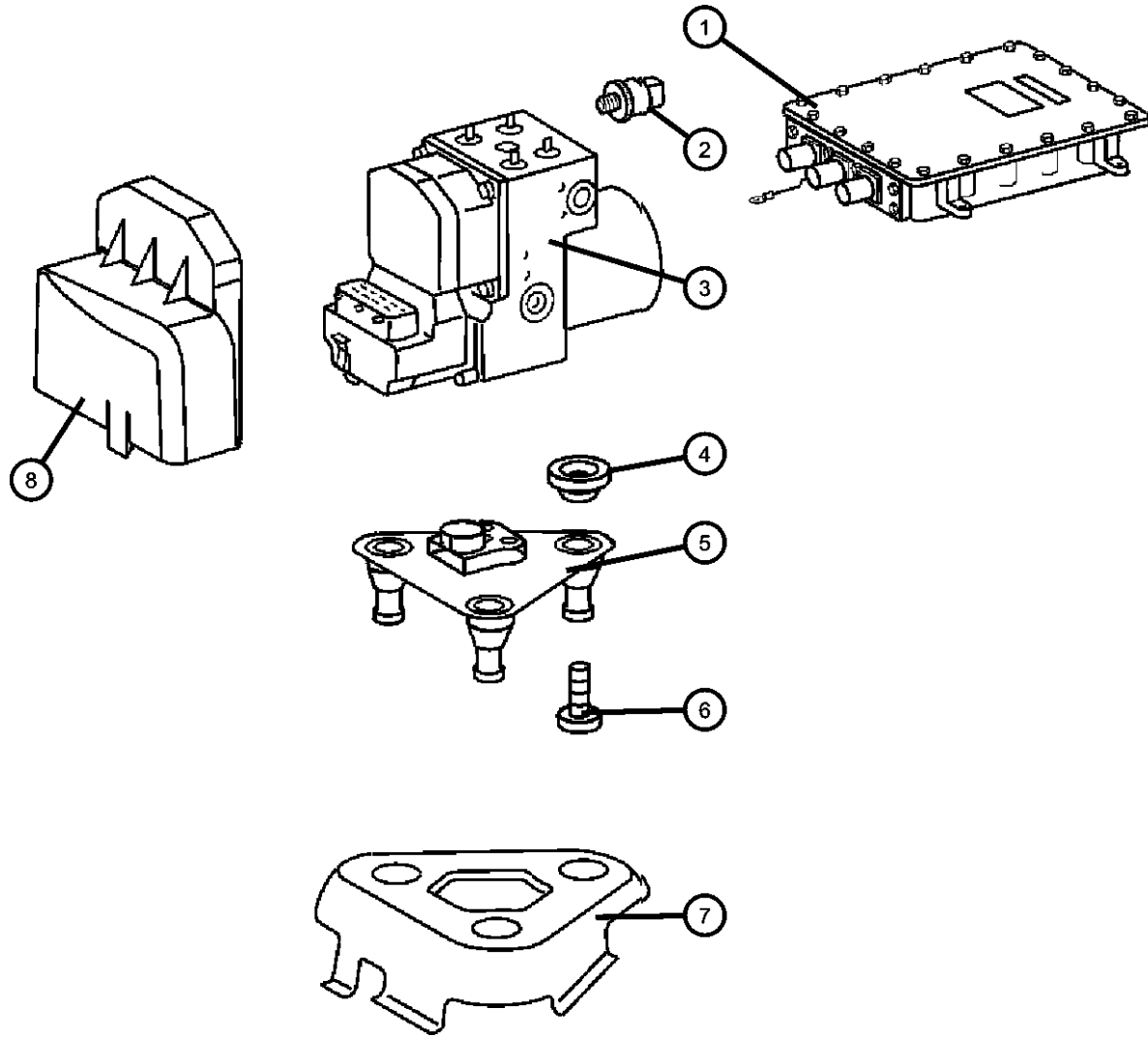
		1	2, 6		11, 12, 14, 15, 16				
		1	2, 6		51, 52, 54, 55, 56				
		1	3, 7		02, 06				
		1	3, 7		12, 15, 16				

SPRINTER (VA)

SERIES	LINE	BODY	ENGINE	TRANSMISSION
L = LOWLINE	3 = HD DODGE 2WD 8 = HD DODGE 4WD 6 = Lt. Duty DODGE 4WD 2 = Med. Duty DODGE 2WD 7 = Med. Duty DODGE 4WD 4 = TRUCK	12 = Van 140" 51 = Wagon 118" 52 = Wagon 140" 14 = Van 118" 15 = Van 140" 16 = Van 158" 54 = Wagon 118" 55 = Wagon 140" 56 = Wagon 158"	EX8 = Engine - 2.7L I5 Mercedes-Benz TD	DGJ = Transmission - 5-Spd Auto, MB
		01 = Chassis Forward Control 118"		
		02 = Chassis Forward Control 140"		
		06 = Front Section 158"		
		11 = Van 118"		

AR = use ase required - = Non illustrated part

Hydraulic Control Unit and ABS Module
Figure 5-420



ITEM	PART NUMBER	QTY	LINE	SERIES	BODY	ENGINE	TRANS	TRIM	DESCRIPTION
------	-------------	-----	------	--------	------	--------	-------	------	-------------

Note: IF ANTI-CONTROL MODULE IS NOT LISTED FOR VEHICLE COMPLETE [HCU] MUST BE REPLACED

Sales Codes
 [BGK]=4-Wheel Anti-Lock Brakes
 [BNB]=Electronic Stability Program
 [4DR]=Weight Variant 3.88T

1	05161052AA	1	2, 6		01, 02, 06				MODULE, Anti-lock Brakes, See Note
2	05133702AA	1	3, 7		02, 06				SENDING UNIT
3	05127536AA	1	3, 7		12, 15, 16				CONTROL UNIT, Anti-Lock Brake, See Note
	05129374AA	1	2, 6		01, 02, 06				With [BGK]
		1	2, 6		11, 12, 14, 15, 16				With [BGK + 4DR]
		1	2, 6		51, 52, 54, 55, 56				With [BGK + 4DR]
	05136077AA	1	2, 6		11, 12, 14, 15, 16				With [BGK + BNB]
		1	2, 6		51, 52, 54, 55, 56				With [BGK + BNB]
	05140695AB	1	2, 6		01, 02, 06				With [BGK + BNB + 4DR]
		1	2, 6		11, 12, 14, 15, 16				With [BGK + BNB + 4DR]
		1	2, 6		51, 52, 54, 55, 56				With [BGK + BNB + 4DR]
	05161051AA	1	2, 6		01, 02, 06				With [BGK + BNB]
4	05099283AA	3	2, 6		01, 02, 06				GROMMET, Hydraulic Control Unit
		3	2, 6		11, 12, 14, 15, 16				
		3	2, 6		51, 52, 54, 55, 56				
		3	3, 7		02, 06				

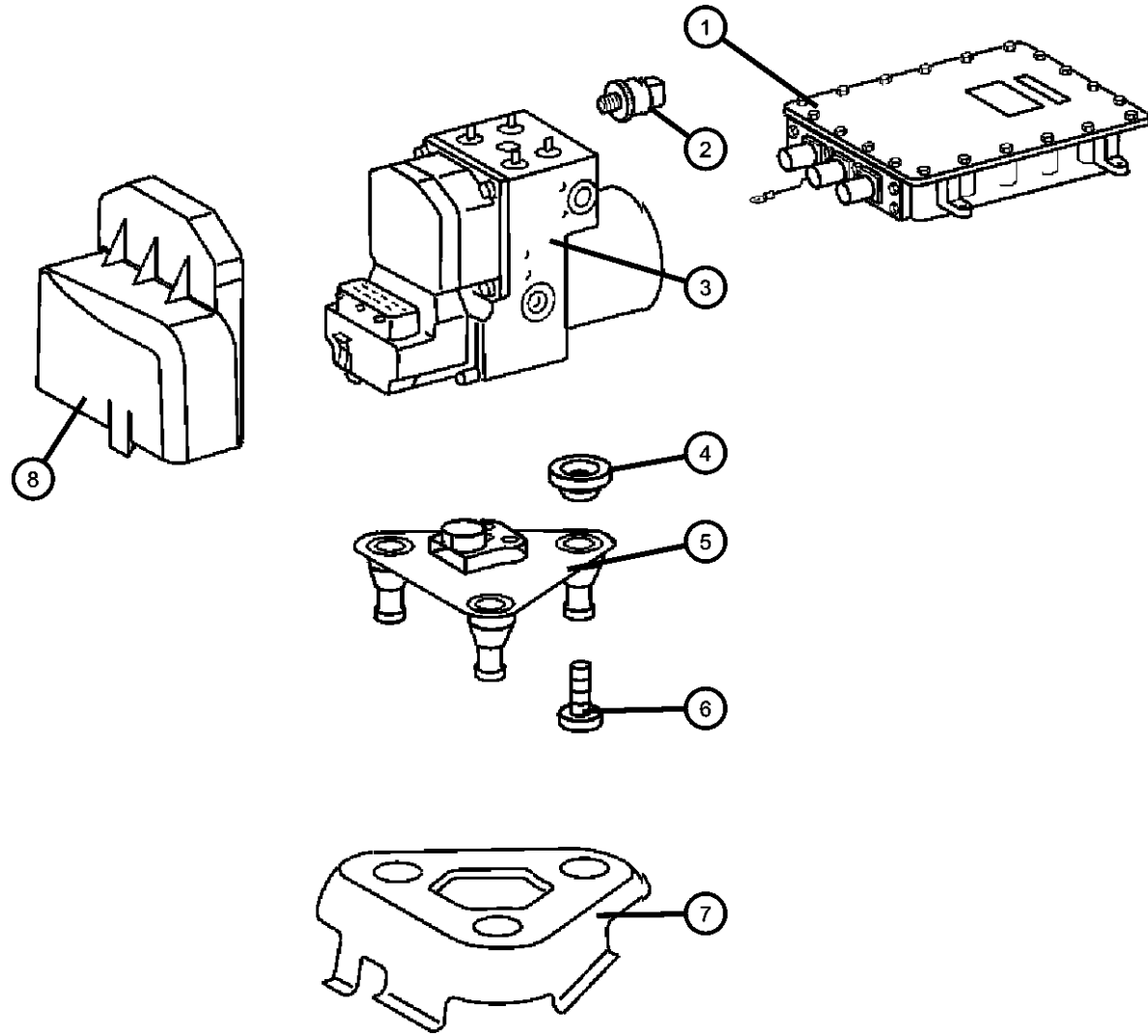
SPRINTER (VA)

SERIES	LINE	BODY	ENGINE	TRANSMISSION
L = LOWLINE	3 = HD DODGE 2WD 8 = HD DODGE 4WD 6 = Lt. Duty DODGE 4WD 2 = Med. Duty DODGE 2WD 7 = Med. Duty DODGE 4WD 4 = TRUCK	12 = Van 140" 51 = Wagon 118" 52 = Wagon 140" 14 = Van 118" 15 = Van 140" 16 = Van 158" 54 = Wagon 118" 55 = Wagon 140" 56 = Wagon 158"	EX8 = Engine - 2.7L I5 Mercedes-Benz TD	DGJ = Transmission - 5-Spd Auto, MB
		01 = Chassis Forward Control 118"		
		02 = Chassis Forward Control 140"		
		06 = Front Section 158"		
		11 = Van 118"		

AR = use ase required - = Non illustrated part

2005 VA

**Hydraulic Control Unit and ABS Module
Figure 5-420**



ITEM	PART NUMBER	QTY	LINE	SERIES	BODY	ENGINE	TRANS	TRIM	DESCRIPTION
5		3	3, 7		12, 15, 16				BRACKET, Hydraulic control unit, Upper
	05119383AA	1	2, 6		01, 02, 06				
		1	2, 6		11, 12, 14, 15, 16				
		1	2, 6		51, 52, 54, 55, 56				
		1	3, 7		02, 06				
6		1	3, 7		12, 15, 16				SCREW
	05126138AA	2	2, 6		01, 02, 06				
		2	2, 6		11, 12, 14, 15, 16				
		2	2, 6		51, 52, 54, 55, 56				
		2	3, 7		02, 06				
		2	3, 7		12, 15, 16				
7									BRACKET, Hydraulic control unit, Lower
	05104088AA	1	2, 6		01, 02, 06				
		1	2, 6		11, 12, 14, 15, 16				
		1	3, 7		02, 06				
		1	3, 7		12, 15, 16				
		1	2, 6		51, 52, 54, 55, 56				
8									COVER, Hydraulic Control Unit
	05120888AA	1	2, 6		11, 12, 14, 15, 16				
		1	2, 6		51, 52, 54, 55, 56				
		1	3, 7		02, 06				

SPRINTER (VA)

SERIES

L = LOWLINE

LINE

3 = HD DODGE 2WD
 8 = HD DODGE 4WD
 6 = Lt. Duty DODGE 4WD
 2 = Med. Duty DODGE 2WD
 7 = Med. Duty DODGE 4WD
 4 = TRUCK

BODY

12 = Van 140"
 51 = Wagon 118"
 52 = Wagon 140"
 14 = Van 118"
 15 = Van 140"
 16 = Van 158"
 54 = Wagon 118"
 55 = Wagon 140"
 56 = Wagon 158"
 01 = Chassis Forward Control 118"
 02 = Chassis Forward Control 140"
 06 = Front Section 158"
 11 = Van 118"

ENGINE

EX8 = Engine - 2.7L I5
 Mercedes-Benz TD

TRANSMISSION

DGJ = Transmission - 5-Spd Auto, MB

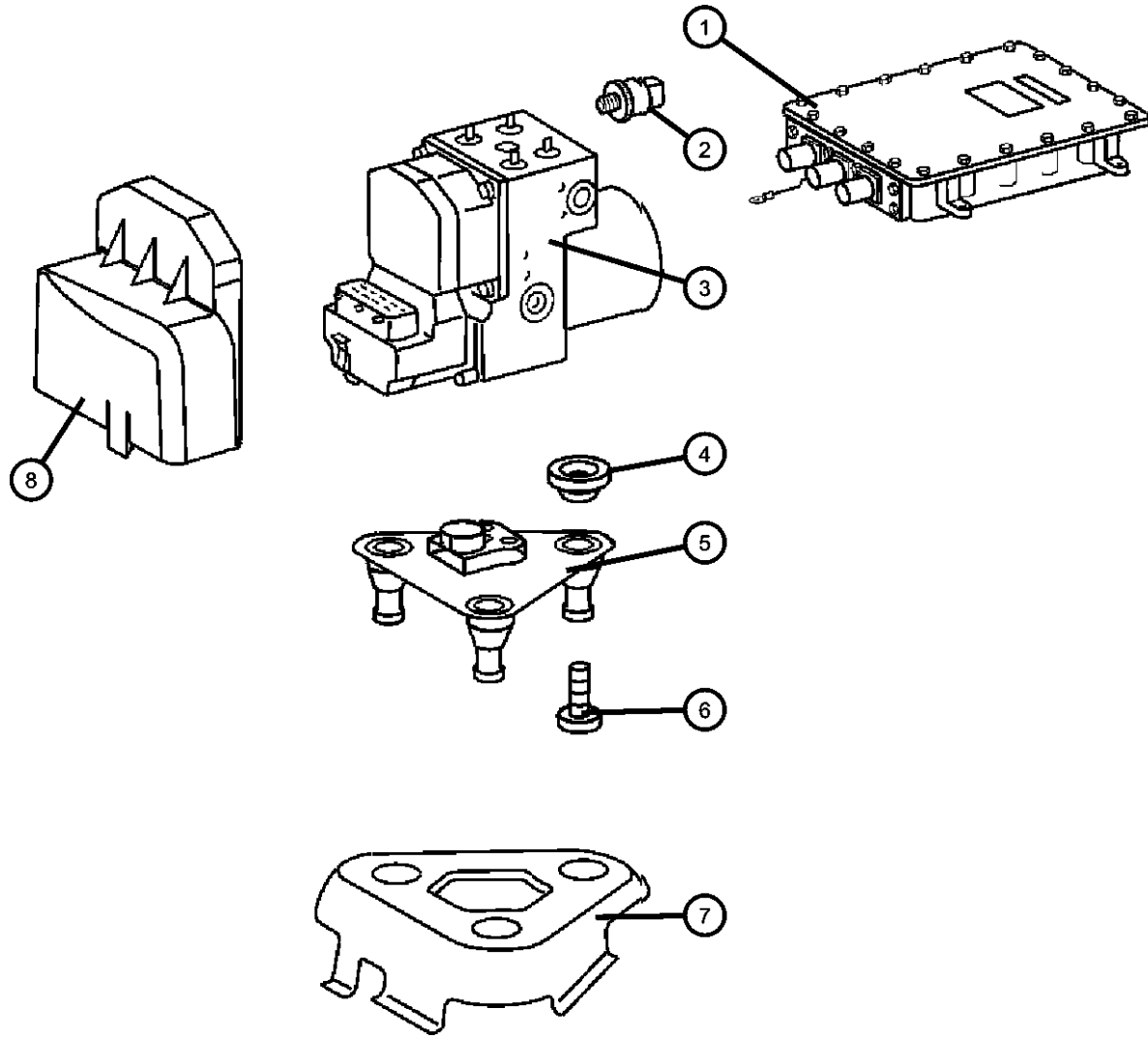
AR = use ase required - = Non illustrated part

2005 VA

Hydraulic Control Unit and ABS Module
Figure 5-420

ITEM	PART NUMBER	QTY	LINE	SERIES	BODY	ENGINE	TRANS	TRIM	DESCRIPTION
------	-------------	-----	------	--------	------	--------	-------	------	-------------

1	3, 7	12, 15, 16
1	2, 6	01, 02, 06



SPRINTER (VA)

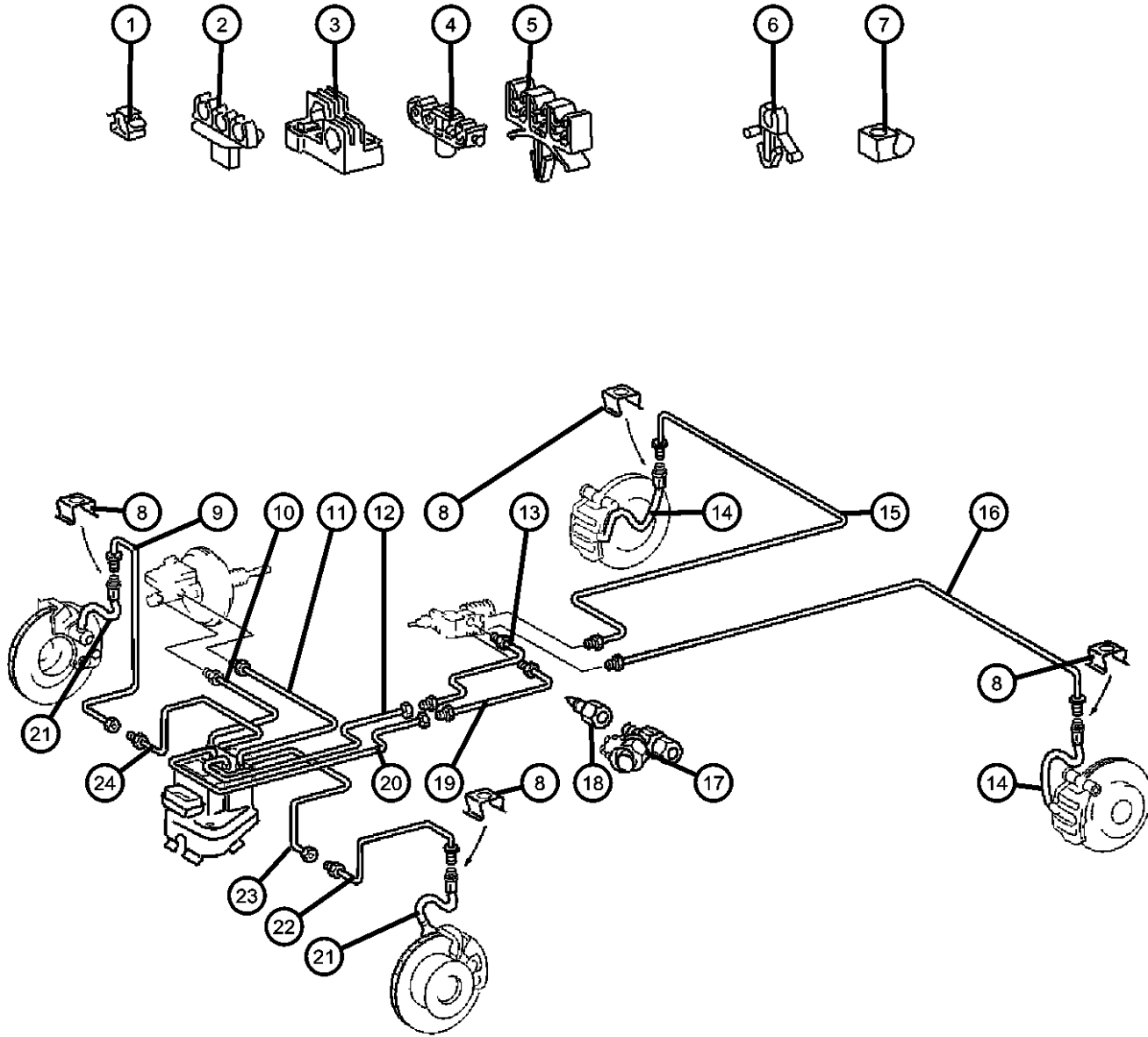
SERIES	LINE	BODY	ENGINE	TRANSMISSION
L = LOWLINE	3 = HD DODGE 2WD 8 = HD DODGE 4WD 6 = Lt. Duty DODGE 4WD 2 = Med. Duty DODGE 2WD 7 = Med. Duty DODGE 4WD 4 = TRUCK	12 = Van 140" 51 = Wagon 118" 52 = Wagon 140" 14 = Van 118" 15 = Van 140" 16 = Van 158" 54 = Wagon 118" 55 = Wagon 140" 56 = Wagon 158" 01 = Chassis Forward Control 118" 02 = Chassis Forward Control 140" 06 = Front Section 158" 11 = Van 118"	EX8 = Engine - 2.7L I5 Mercedes-Benz TD	DGJ = Transmission - 5-Spd Auto, MB

AR = use ase required - = Non illustrated part

Lines,Brake,With ABS,2500/3500 Series
Figure 5-510

ITEM	PART NUMBER	QTY	LINE	SERIES	BODY	ENGINE	TRANS	TRIM	DESCRIPTION
------	-------------	-----	------	--------	------	--------	-------	------	-------------

Note;Sales Codes;
 [WDG]=Wheels - 16 X 6 STEEL
 [3S6]=Test Connections Hydraulic Brake
 [5AC]=118" Wheelbase
 [5AE]=140" Wheelbase
 [5AF]=158" Wheelbase



1	05119689AA	4	2, 6		01, 02, 06				CLIP, Brake Line
		4	2, 6		11, 12, 14, 15, 16				
		4	2, 6		51, 52, 54, 55, 56				
		4	3, 7		02, 06				
		4	3, 7		12, 15, 16				
2	05132788AA	4							CLIP, Brake Line
3	05119331AA	1	2, 6		01, 02, 06				BRACKET, Brake Tube
		1	2, 6		11, 12, 14, 15, 16				
		1	2, 6		51, 52, 54, 55, 56				
		1	3, 7		02, 06				
		1	3, 7		12, 15, 16				
4	05119330AA	2	2, 6		01, 02, 06				CLIP, Brake Line
		2	2, 6		11, 12, 14, 15, 16				
		2	2, 6		51, 52, 54, 55, 56				
		2	3, 7		02, 06				
		2	3, 7		12, 15, 16				
5	05119328AA	1	2, 6		11, 12, 14, 15, 16				CLIP, Brake Line

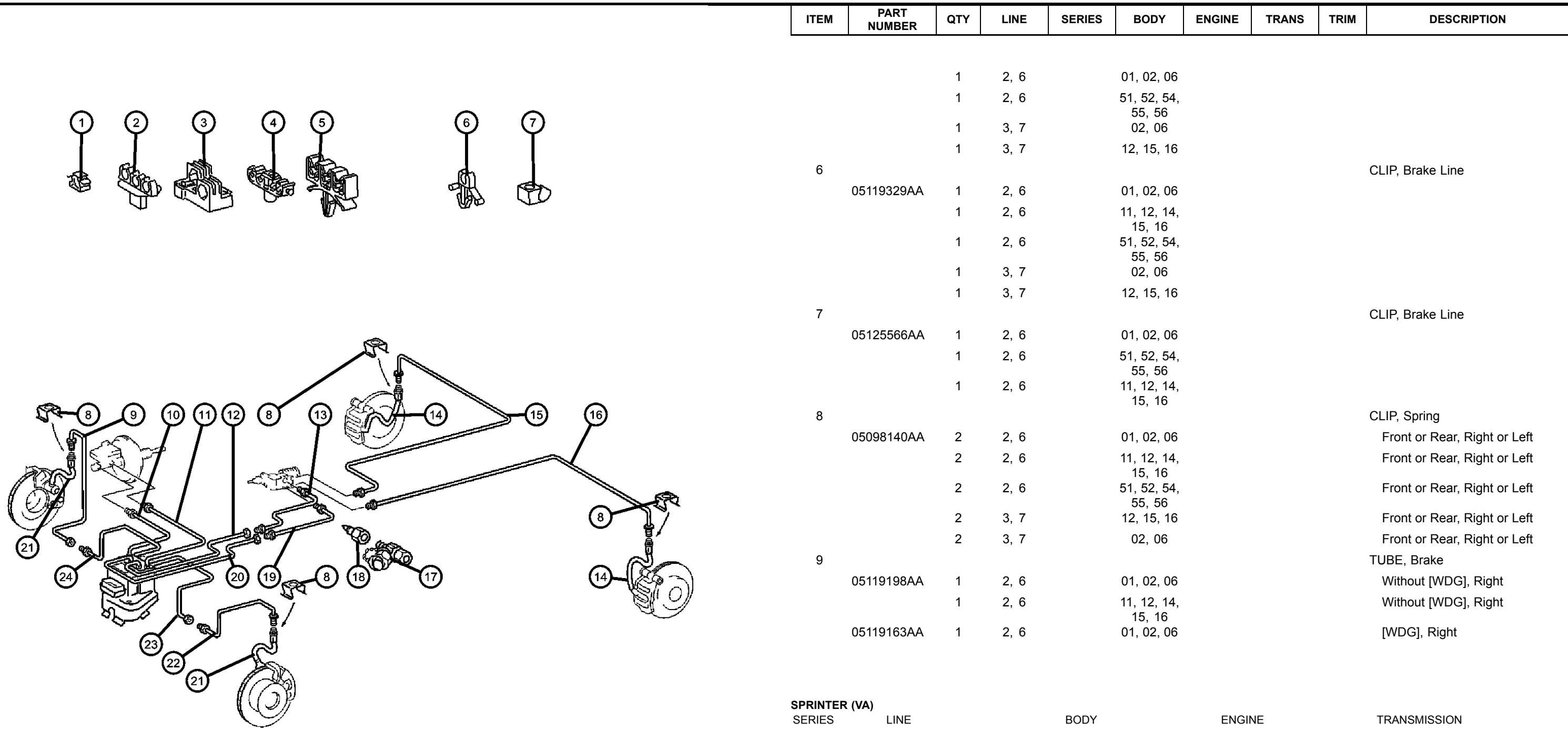
SPRINTER (VA)

SERIES	LINE	BODY	ENGINE	TRANSMISSION
L = LOWLINE	3 = HD DODGE 2WD 8 = HD DODGE 4WD 6 = Lt. Duty DODGE 4WD 2 = Med. Duty DODGE 2WD 7 = Med. Duty DODGE 4WD 4 = TRUCK	12 = Van 140" 51 = Wagon 118" 52 = Wagon 140" 14 = Van 118" 15 = Van 140" 16 = Van 158" 54 = Wagon 118" 55 = Wagon 140" 56 = Wagon 158"	EX8 = Engine - 2.7L I5 Mercedes-Benz TD	DGJ = Transmission - 5-Spd Auto, MB
		01 = Chassis Forward Control 118"		
		02 = Chassis Forward Control 140"		
		06 = Front Section 158"		
		11 = Van 118"		

AR = use ase required - = Non illustrated part

2005 VA

Lines,Brake,With ABS,2500/3500 Series
Figure 5-510



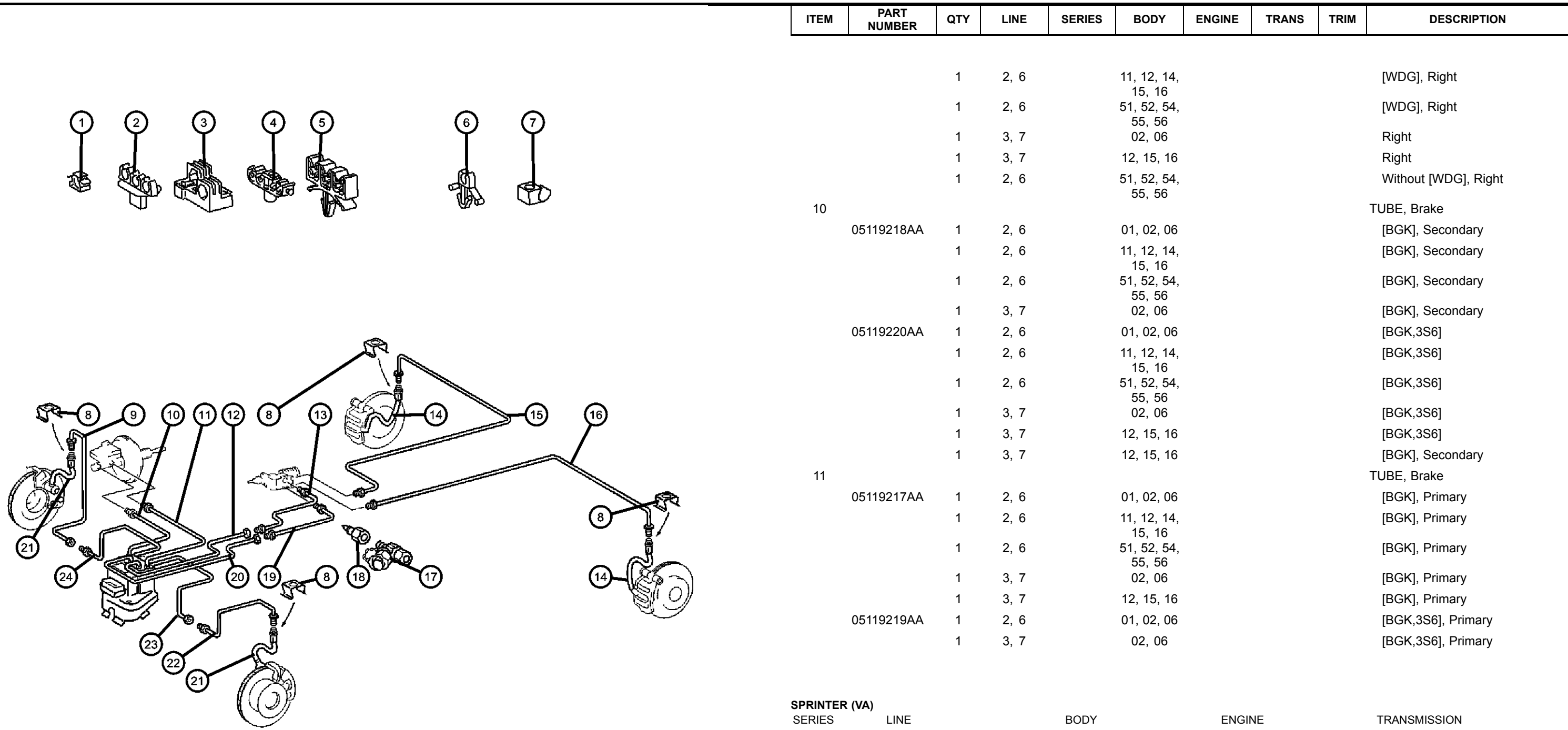
ITEM	PART NUMBER	QTY	LINE	SERIES	BODY	ENGINE	TRANS	TRIM	DESCRIPTION
		1	2, 6		01, 02, 06				
		1	2, 6		51, 52, 54, 55, 56				
		1	3, 7		02, 06				
		1	3, 7		12, 15, 16				
6	05119329AA	1	2, 6		01, 02, 06				CLIP, Brake Line
		1	2, 6		11, 12, 14, 15, 16				
		1	2, 6		51, 52, 54, 55, 56				
		1	3, 7		02, 06				
		1	3, 7		12, 15, 16				
7	05125566AA	1	2, 6		01, 02, 06				CLIP, Brake Line
		1	2, 6		51, 52, 54, 55, 56				
		1	2, 6		11, 12, 14, 15, 16				
8	05098140AA	2	2, 6		01, 02, 06				CLIP, Spring
		2	2, 6		11, 12, 14, 15, 16				Front or Rear, Right or Left
		2	2, 6		51, 52, 54, 55, 56				Front or Rear, Right or Left
		2	3, 7		12, 15, 16				Front or Rear, Right or Left
		2	3, 7		02, 06				Front or Rear, Right or Left
9	05119198AA	1	2, 6		01, 02, 06				TUBE, Brake
		1	2, 6		11, 12, 14, 15, 16				Without [WDG], Right
	05119163AA	1	2, 6		01, 02, 06				[WDG], Right

SPRINTER (VA)

SERIES	LINE	BODY	ENGINE	TRANSMISSION
L = LOWLINE	3 = HD DODGE 2WD 8 = HD DODGE 4WD 6 = Lt. Duty DODGE 4WD 2 = Med. Duty DODGE 2WD 7 = Med. Duty DODGE 4WD 4 = TRUCK	12 = Van 140" 51 = Wagon 118" 52 = Wagon 140" 14 = Van 118" 15 = Van 140" 16 = Van 158" 54 = Wagon 118" 55 = Wagon 140" 56 = Wagon 158" 01 = Chassis Forward Control 118" 02 = Chassis Forward Control 140" 06 = Front Section 158" 11 = Van 118"	EX8 = Engine - 2.7L I5 Mercedes-Benz TD	DGJ = Transmission - 5-Spd Auto, MB

AR = use ase required - = Non illustrated part

Lines,Brake,With ABS,2500/3500 Series
Figure 5-510



ITEM	PART NUMBER	QTY	LINE	SERIES	BODY	ENGINE	TRANS	TRIM	DESCRIPTION
		1	2, 6		11, 12, 14, 15, 16				[WDG], Right
		1	2, 6		51, 52, 54, 55, 56				[WDG], Right
		1	3, 7		02, 06				Right
		1	3, 7		12, 15, 16				Right
		1	2, 6		51, 52, 54, 55, 56				Without [WDG], Right
10									TUBE, Brake
	05119218AA	1	2, 6		01, 02, 06				[BGK], Secondary
		1	2, 6		11, 12, 14, 15, 16				[BGK], Secondary
		1	2, 6		51, 52, 54, 55, 56				[BGK], Secondary
		1	3, 7		02, 06				[BGK], Secondary
	05119220AA	1	2, 6		01, 02, 06				[BGK,3S6]
		1	2, 6		11, 12, 14, 15, 16				[BGK,3S6]
		1	2, 6		51, 52, 54, 55, 56				[BGK,3S6]
		1	3, 7		02, 06				[BGK,3S6]
		1	3, 7		12, 15, 16				[BGK,3S6]
		1	3, 7		12, 15, 16				[BGK], Secondary
11									TUBE, Brake
	05119217AA	1	2, 6		01, 02, 06				[BGK], Primary
		1	2, 6		11, 12, 14, 15, 16				[BGK], Primary
		1	2, 6		51, 52, 54, 55, 56				[BGK], Primary
		1	3, 7		02, 06				[BGK], Primary
		1	3, 7		12, 15, 16				[BGK], Primary
	05119219AA	1	2, 6		01, 02, 06				[BGK,3S6], Primary
		1	3, 7		02, 06				[BGK,3S6], Primary

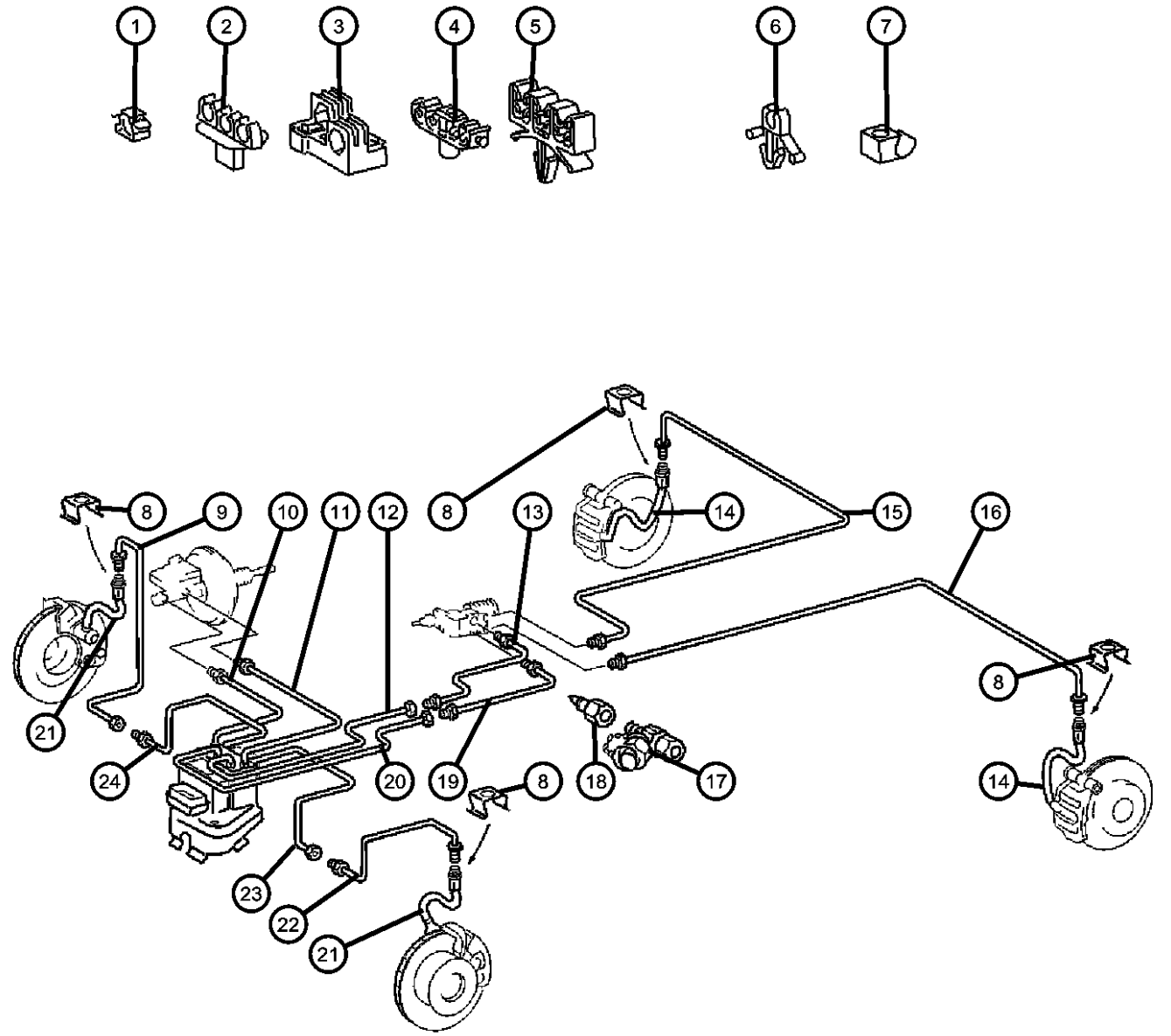
SPRINTER (VA)

SERIES	LINE	BODY	ENGINE	TRANSMISSION
L = LOWLINE	3 = HD DODGE 2WD 8 = HD DODGE 4WD 6 = Lt. Duty DODGE 4WD 2 = Med. Duty DODGE 2WD 7 = Med. Duty DODGE 4WD 4 = TRUCK	12 = Van 140" 51 = Wagon 118" 52 = Wagon 140" 14 = Van 118" 15 = Van 140" 16 = Van 158" 54 = Wagon 118" 55 = Wagon 140" 56 = Wagon 158" 01 = Chassis Forward Control 118" 02 = Chassis Forward Control 140" 06 = Front Section 158" 11 = Van 118"	EX8 = Engine - 2.7L I5 Mercedes-Benz TD	DGJ = Transmission - 5-Spd Auto, MB

AR = use ase required - = Non illustrated part

Lines,Brake,With ABS,2500/3500 Series
Figure 5-510

ITEM	PART NUMBER	QTY	LINE	SERIES	BODY	ENGINE	TRANS	TRIM	DESCRIPTION
		1	3, 7		12, 15, 16				[BGK,3S6], Primary
		1	2, 6		11, 12, 14, 15, 16				[BGK,3S6], Primary
		1	2, 6		51, 52, 54, 55, 56				[BGK,3S6], Primary
12	05119197AA	1	2, 6		51, 52, 54, 55, 56				TUBE, Brake Right Rear
		1	3, 7		02, 06				Right Rear
		1	3, 7		12, 15, 16				Right Rear
		1	2, 6		01, 02, 06				Right Rear
		1	2, 6		11, 12, 14, 15, 16				Right Rear
13	05133704AA	1	2, 6		01				TUBE, Brake
		1	2, 6		11, 14				
	05133709AA	1	2, 6		51, 54				
		1	2, 6		02				
		1	2, 6		12, 15				
	05133728AA	1	2, 6		52, 55				
		1	2, 6		16				
	05133710AA	1	2, 6		56				
	05133711AA	1	3, 7		16				
		1	3, 7		12, 15				
		1	2, 6		06				
14	05104087AA	1	2, 6		01, 02, 06				HOSE, Brake Rear, Right or Left
		1	2, 6		11, 12, 14, 15, 16				Rear, Right or Left
		1	2, 6		51, 52, 54, 55, 56				Rear, Right or Left



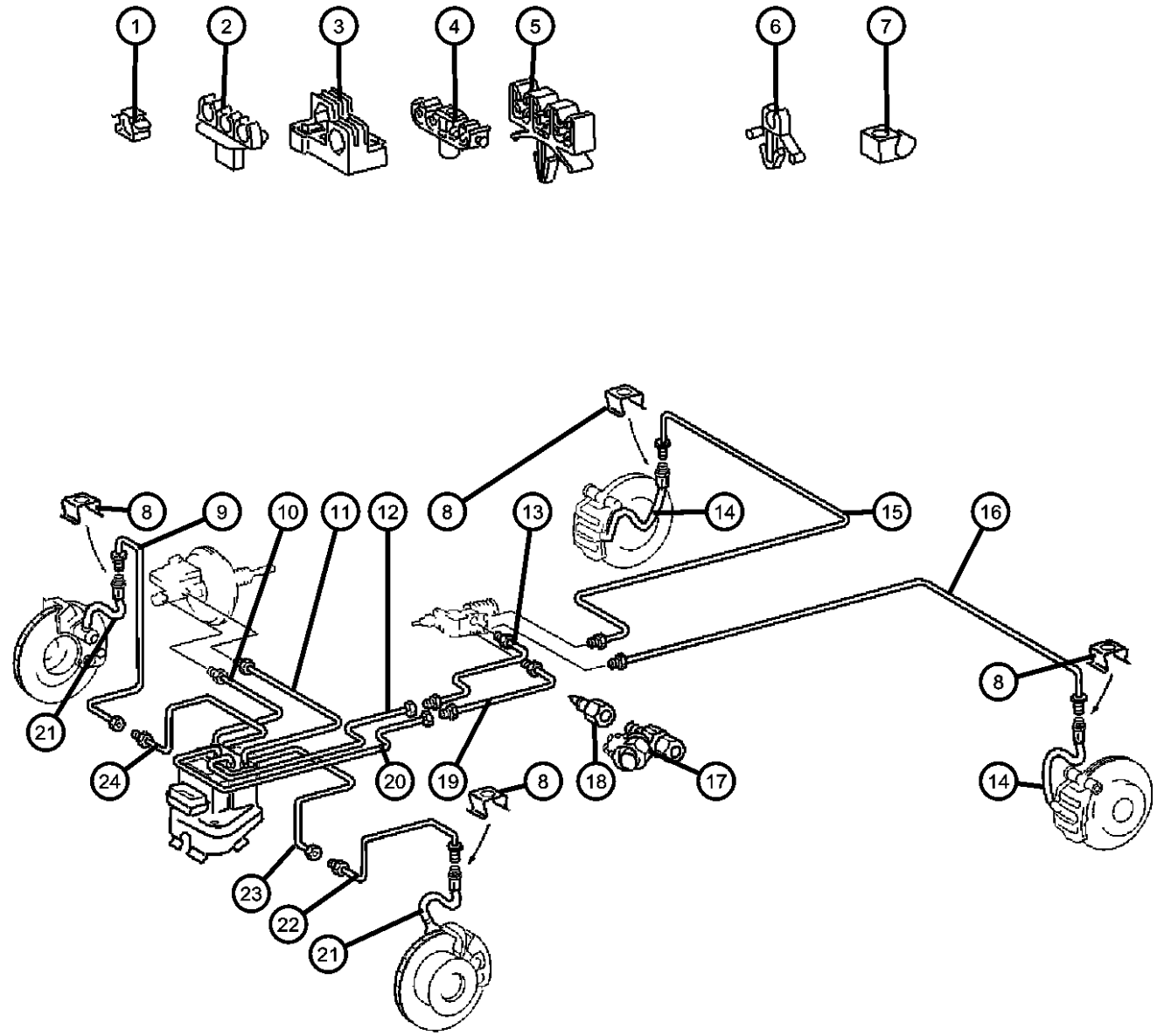
SPRINTER (VA)

SERIES	LINE	BODY	ENGINE	TRANSMISSION
L = LOWLINE	3 = HD DODGE 2WD 8 = HD DODGE 4WD 6 = Lt. Duty DODGE 4WD 2 = Med. Duty DODGE 2WD 7 = Med. Duty DODGE 4WD 4 = TRUCK	12 = Van 140" 51 = Wagon 118" 52 = Wagon 140" 14 = Van 118" 15 = Van 140" 16 = Van 158" 54 = Wagon 118" 55 = Wagon 140" 56 = Wagon 158" 01 = Chassis Forward Control 118" 02 = Chassis Forward Control 140" 06 = Front Section 158" 11 = Van 118"	EX8 = Engine - 2.7L I5 Mercedes-Benz TD	DGJ = Transmission - 5-Spd Auto, MB

AR = use ase required - = Non illustrated part

Lines,Brake,With ABS,2500/3500 Series
Figure 5-510

ITEM	PART NUMBER	QTY	LINE	SERIES	BODY	ENGINE	TRANS	TRIM	DESCRIPTION
	05119313AA	2	3, 7		02, 06				Rear, Right or Left
		2	3, 7		12, 15, 16				Rear, Right or Left
15	05133712AA	1	2, 6		11, 12, 14, 15, 16				TUBE, Brake Without [5NZ]
		1	2, 6		51, 52, 54, 55, 56				Without [5NZ]
		1	3, 7		02, 06				[BGK]
		1	3, 7		12, 15, 16				[BGK]
		1	2, 6		01, 02, 06				Without [5NZ]
	05133731AA	1	2, 6		56				[5NZ]
	05133715AA	1	3, 7		12, 15, 16				[BGK] With/without [3S6]
		1	2, 6		06				[5NZ]
		1	2, 6		16				[5NZ]
16	05133708AA	1	2, 6		01, 02, 06				TUBE, Brake [BGK,BNB], Left
		1	2, 6		11, 12, 14, 15, 16				[BGK,BNB], Left
		1	2, 6		51, 52, 54, 55, 56				[BGK,BNB], Left
	05133712AA	1	3, 7		02, 06				Left
		1	3, 7		12, 15, 16				Left
	05133732AA	1	2, 6		11, 12, 14, 15, 16				Without [5NZ], Left
		1	2, 6		51, 52, 54, 55, 56				Without [5NZ], Left
	05133729AA	1	2, 6		06				[5NZ], Left
		1	2, 6		16				[5NZ], Left
		1	2, 6		56				[5NZ], Left
		1	2, 6		01, 02, 06				Without [5NZ], Left
17									TEST, Heat treated hex head

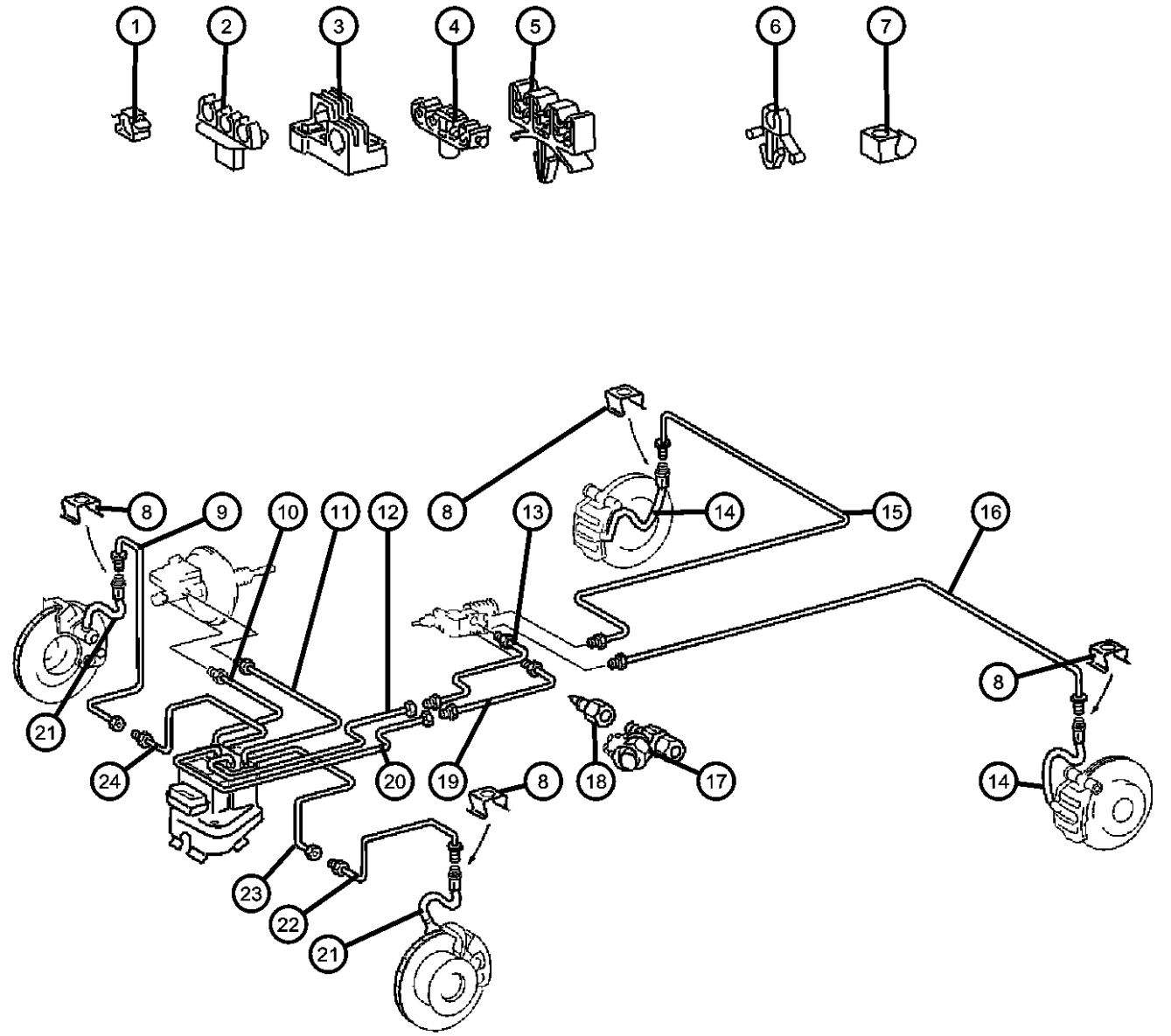


SPRINTER (VA)
SERIES **LINE** **BODY** **ENGINE** **TRANSMISSION**
L = LOWLINE 3 = HD DODGE 2WD 12 = Van 140" EX8 = Engine - 2.7L I5 DGJ = Transmission - 5-Spd Auto, MB
 8 = HD DODGE 4WD 51 = Wagon 118" Mercedes-Benz TD
 6 = Lt. Duty DODGE 4WD 52 = Wagon 140"
 2 = Med. Duty DODGE 2WD 14 = Van 118"
 7 = Med. Duty DODGE 4WD 15 = Van 140"
 4 = TRUCK 16 = Van 158"
 54 = Wagon 118"
 55 = Wagon 140"
 56 = Wagon 158"
 01 = Chassis Forward Control
 118"
 02 = Chassis Forward Control
 140"
 06 = Front Section 158"
 11 = Van 118"

AR = use ase required - = Non illustrated part

Lines,Brake,With ABS,2500/3500 Series
Figure 5-510

ITEM	PART NUMBER	QTY	LINE	SERIES	BODY	ENGINE	TRANS	TRIM	DESCRIPTION
	05103640AA	2	2, 6		01, 02, 06				[3S6]
		2	2, 6		11, 12, 14, 15, 16				[3S6]
		2	2, 6		51, 52, 54, 55, 56				[3S6]
		2	3, 7		02, 06				[3S6]
		2	3, 7		12, 15, 16				[3S6]
18	05103636AA	2	2, 6		11, 12, 14, 15, 16				FITTING, Orifice [3S6]
		2	2, 6		51, 52, 54, 55, 56				[3S6]
		2	3, 7		02, 06				[3S6]
		2	3, 7		12, 15, 16				[3S6]
19	05133704AA	1	2, 6		11, 14				TUBE, Brake
		1	2, 6		51, 54				
	05133709AA	1	2, 6		02				
		1	2, 6		12, 15				
		1	2, 6		52, 55				
	05133710AA	1	2, 6		01				
	05133728AA	1	3, 7		16				
		1	2, 6		06				
		1	3, 7		12, 15				
		1	2, 6		16				
		1	2, 6		56				
20	05119196AA	1	2, 6		01, 02, 06				TUBE, Brake Left Rear
		1	2, 6		11, 12, 14, 15, 16				Left Rear

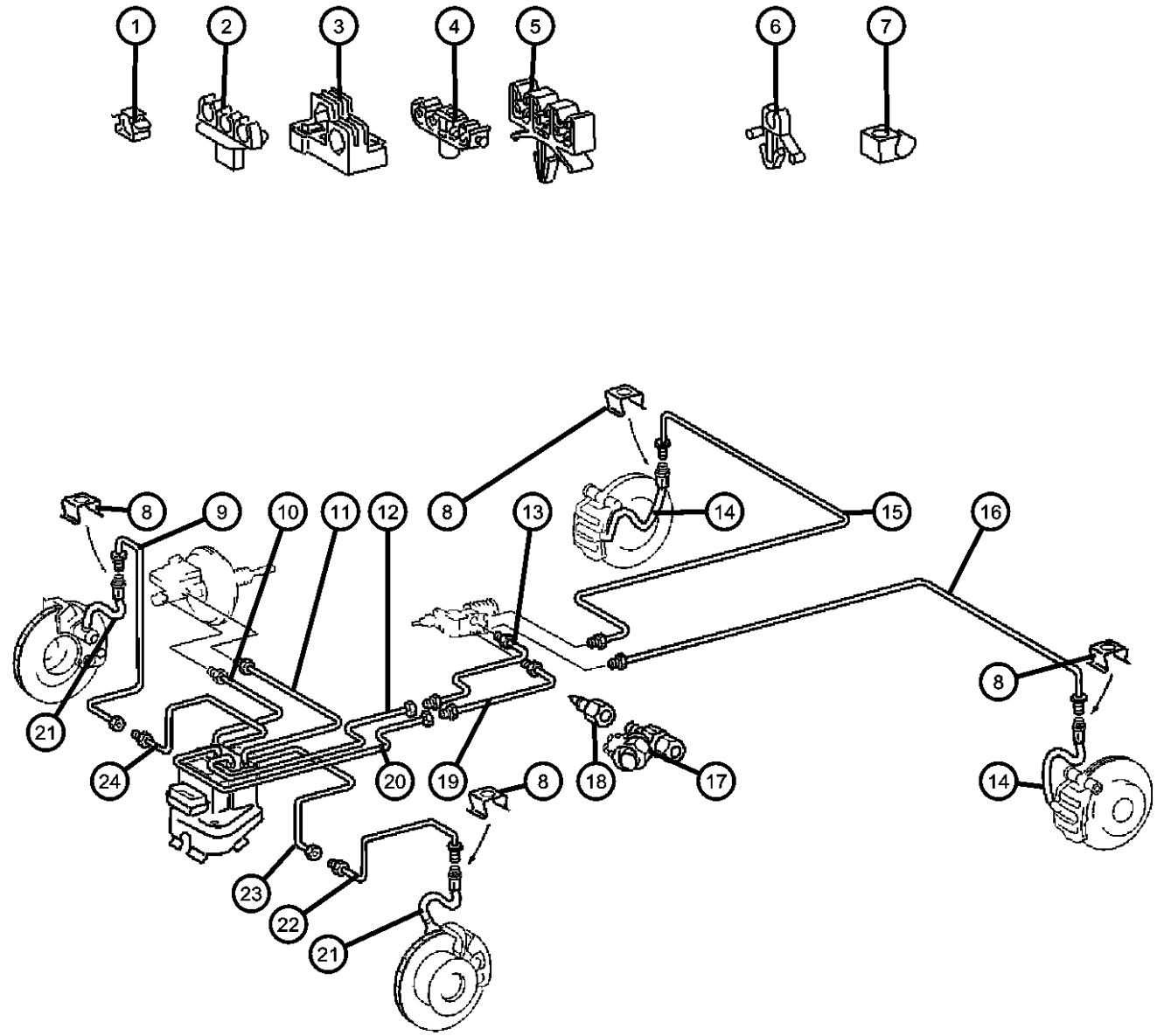


SPRINTER (VA)
 SERIES LINE BODY ENGINE TRANSMISSION
 L = LOWLINE 3 = HD DODGE 2WD 12 = Van 140" EX8 = Engine - 2.7L I5 DGJ = Transmission - 5-Spd Auto, MB
 8 = HD DODGE 4WD 51 = Wagon 118" Mercedes-Benz TD
 6 = Lt. Duty DODGE 4WD 52 = Wagon 140"
 2 = Med. Duty DODGE 2WD 14 = Van 118"
 7 = Med. Duty DODGE 4WD 15 = Van 140"
 4 = TRUCK 16 = Van 158"
 54 = Wagon 118"
 55 = Wagon 140"
 56 = Wagon 158"
 01 = Chassis Forward Control 118"
 02 = Chassis Forward Control 140"
 06 = Front Section 158"
 11 = Van 118"

AR = use ase required - = Non illustrated part

Lines,Brake,With ABS,2500/3500 Series
Figure 5-510

ITEM	PART NUMBER	QTY	LINE	SERIES	BODY	ENGINE	TRANS	TRIM	DESCRIPTION
		1	2, 6		51, 52, 54, 55, 56				Left Rear
		1	3, 7		02, 06				Left Rear
		1	3, 7		12, 15, 16				Left Rear
21									HOSE, Brake
	05104087AA	2	2, 6		01, 02, 06				Front
		2	2, 6		11, 12, 14, 15, 16				Front
		2	2, 6		51, 52, 54, 55, 56				Front
22									TUBE, Brake
	05119160AA	1	2, 6		01, 02, 06				[BGK,BNB,WDG], Left
	05119185AA	1	2, 6		11, 12, 14, 15, 16				[BGK,BNB], Left
		1	2, 6		51, 52, 54, 55, 56				[BGK,BNB], Left
		1	2, 6		11, 12, 14, 15, 16				[BGK,BNB,WDG], Left
		1	2, 6		51, 52, 54, 55, 56				[BGK,BNB,WDG], Left
		1	3, 7		02, 06				[BGK], Left
		1	3, 7		12, 15, 16				[BGK], Left
		1	2, 6		01, 02, 06				[BGK,BNB], Left
23									TUBE, Brake
	05133706AA	1	2, 6		01, 02, 06				[BGK,BNB], Left
		1	2, 6		11, 12, 14, 15, 16				[BGK,BNB], Left
		1	2, 6		51, 52, 54, 55, 56				[BGK,BNB], Left
		1	3, 7		02, 06				[BGK], Left
		1	3, 7		12, 15, 16				[BGK], Left
24									TUBE, Brake

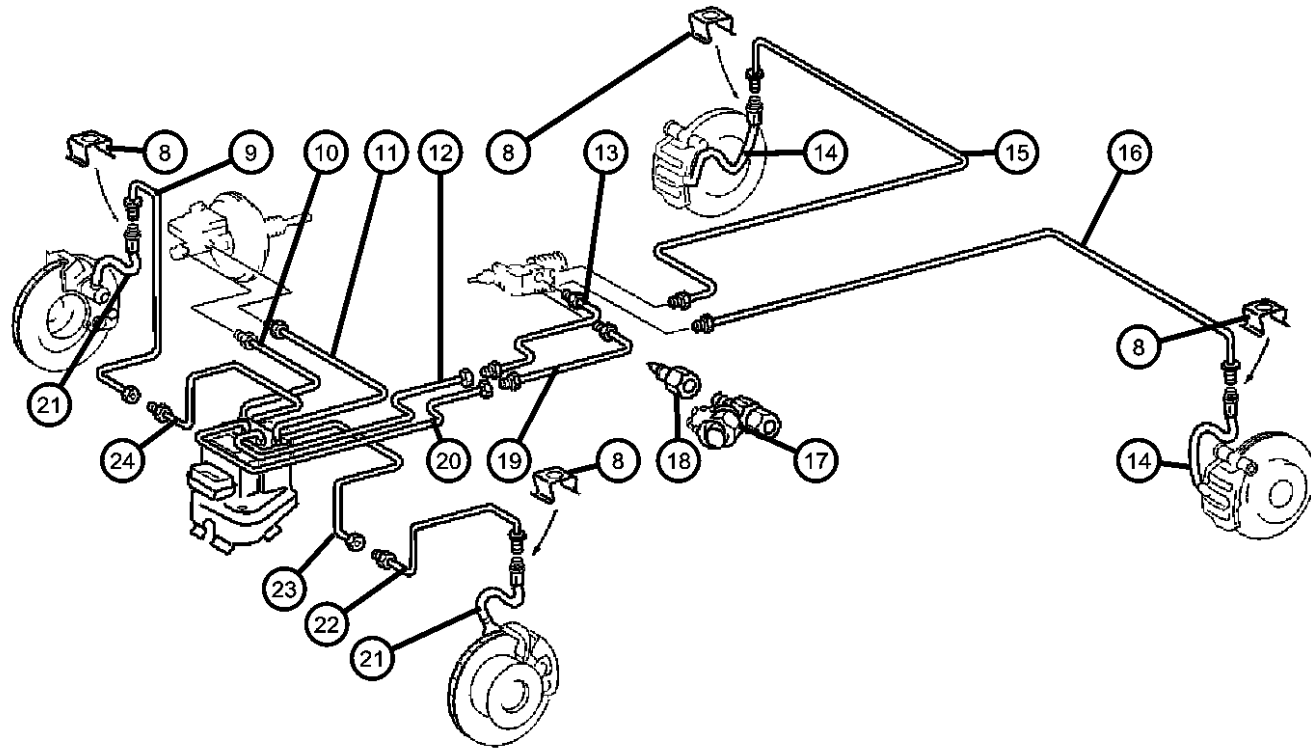
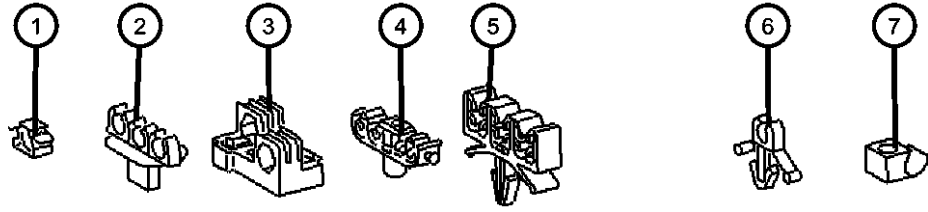


SPRINTER (VA)
 SERIES LINE BODY ENGINE TRANSMISSION
 L = LOWLINE 3 = HD DODGE 2WD 12 = Van 140" EX8 = Engine - 2.7L I5 DGJ = Transmission - 5-Spd Auto, MB
 8 = HD DODGE 4WD 51 = Wagon 118" Mercedes-Benz TD
 6 = Lt. Duty DODGE 4WD 52 = Wagon 140"
 2 = Med. Duty DODGE 2WD 14 = Van 118"
 7 = Med. Duty DODGE 4WD 15 = Van 140"
 4 = TRUCK 16 = Van 158"
 54 = Wagon 118"
 55 = Wagon 140"
 56 = Wagon 158"
 01 = Chassis Forward Control 118"
 02 = Chassis Forward Control 140"
 06 = Front Section 158"
 11 = Van 118"

AR = use ase required - = Non illustrated part

Lines,Brake,With ABS,2500/3500 Series
Figure 5-510

ITEM	PART NUMBER	QTY	LINE	SERIES	BODY	ENGINE	TRANS	TRIM	DESCRIPTION
	05133708AA	1	2, 6		51, 52, 54, 55, 56				[BGK,BNB], Right
		1	3, 7		02, 06				[BGK], Right
		1	3, 7		02, 06				[BGK,3S6], Right
		1	3, 7		02, 06				Without [BGK], Right
		1	3, 7		12, 15, 16				[BGK], Right
		1	3, 7		12, 15, 16				[BGK,3S6], Right
		1	3, 7		12, 15, 16				Without [BGK], Right
		1	2, 6		01, 02, 06				[BGK,BNB], Right
		1	2, 6		11, 12, 14, 15, 16				[BGK,BNB], Right
	-25								UNION, Brake Line Repair
	05098485AA	1	2, 6		01, 02, 06				
		1	2, 6		11, 12, 14, 15, 16				
		1	2, 6		51, 52, 54, 55, 56				



SPRINTER (VA)

SERIES

L = LOWLINE

LINE

3 = HD DODGE 2WD
8 = HD DODGE 4WD
6 = Lt. Duty DODGE 4WD
2 = Med. Duty DODGE 2WD
7 = Med. Duty DODGE 4WD
4 = TRUCK

BODY

12 = Van 140"
51 = Wagon 118"
52 = Wagon 140"
14 = Van 118"
15 = Van 140"
16 = Van 158"
54 = Wagon 118"
55 = Wagon 140"
56 = Wagon 158"
01 = Chassis Forward Control
118"
02 = Chassis Forward Control
140"
06 = Front Section 158"
11 = Van 118"

ENGINE

EX8 = Engine - 2.7L I5
Mercedes-Benz TD

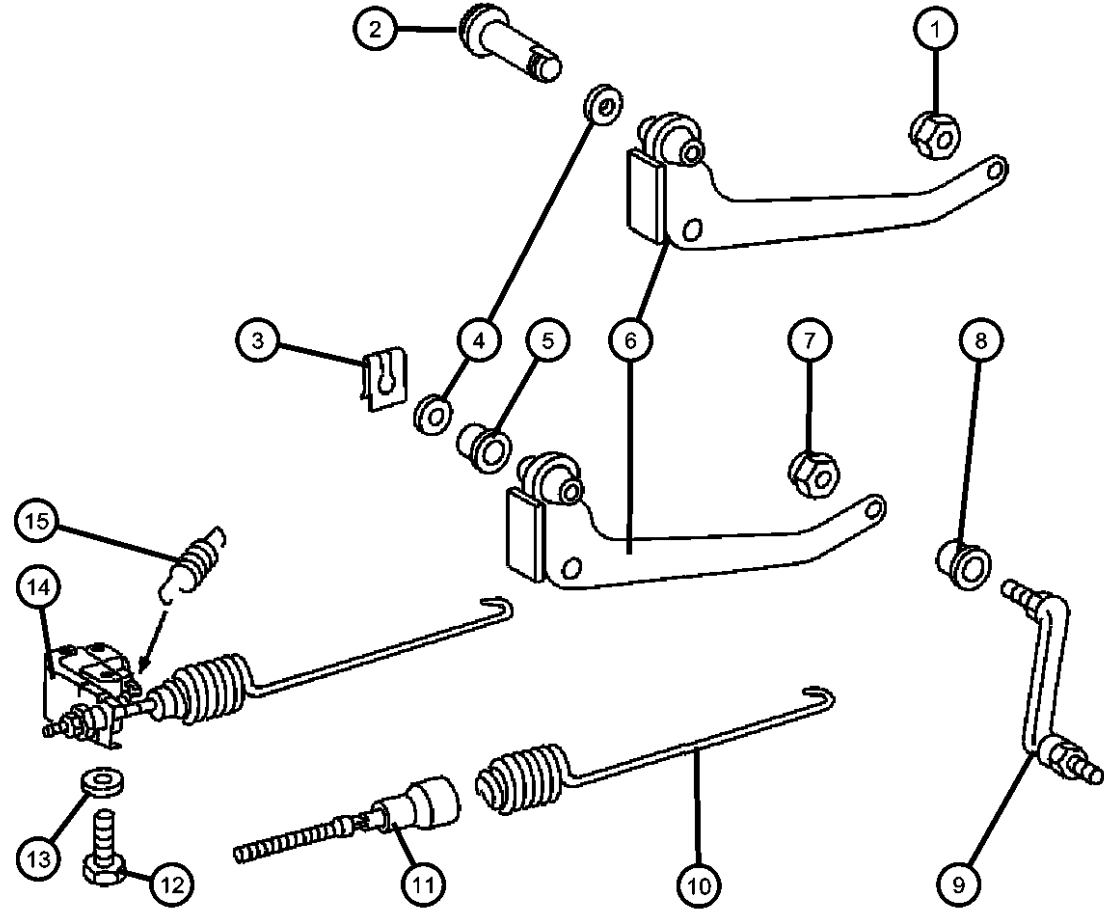
TRANSMISSION

DGJ = Transmission - 5-Spd Auto, MB

AR = use ase required - = Non illustrated part

2005 VA

**Brake, Power Regulator
Figure 5-520**



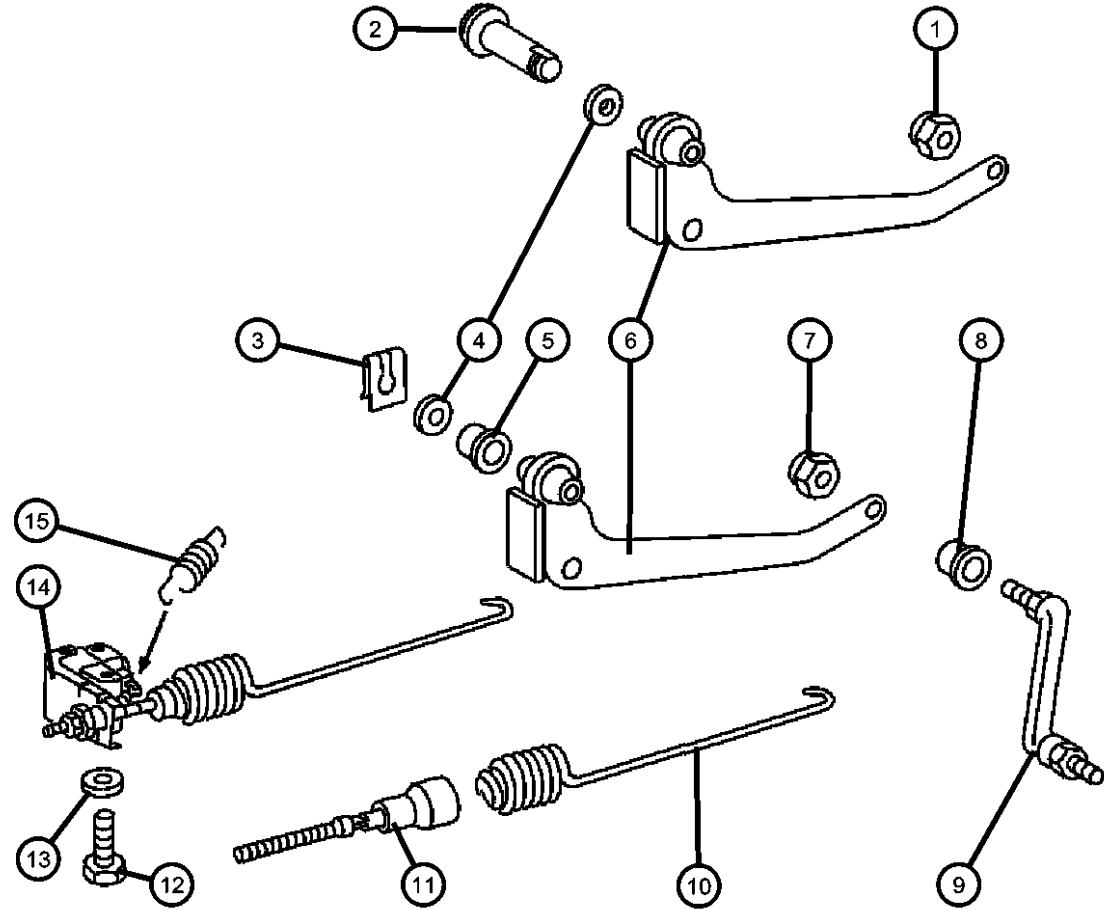
ITEM	PART NUMBER	QTY	LINE	SERIES	BODY	ENGINE	TRANS	TRIM	DESCRIPTION
Note: Sales Codes [BGK]= 4-WHEEL ANTI-LOCK [5AF]=158" WHEELBASE									
1	05097684AA	2	2, 3, 6, 7						NUT
2	05119385AA	1	3, 7		02, 06				PIN
		1	3, 7		12, 15, 16				
3	05126244AA	1	2, 6		01, 02, 06				CLIP, Retaining
		1	2, 6		11, 12, 14, 15, 16				
		1	2, 6		51, 52, 54, 55, 56				
		1	3, 7		02, 06				
		1	3, 7		12, 15, 16				
4	05133725AA	1	2, 6		01, 02, 06				WASHER
		1	2, 6		11, 12, 14, 15, 16				
		1	2, 6		51, 52, 54, 55, 56				
		1	3, 7		02, 06				
		1	3, 7		12, 15, 16				
5	05096550AA	2	2, 6		01, 02, 06				BUSHING, Pedal Shaft
		2	2, 6		11, 12, 14, 15, 16				
		2	3, 7		02, 06				
		2	3, 7		12, 15, 16				
		2	2, 6		51, 52, 54, 55, 56				
6									LEVER, Load Sensing

SPRINTER (VA)

SERIES	LINE	BODY	ENGINE	TRANSMISSION
L = LOWLINE	3 = HD DODGE 2WD 8 = HD DODGE 4WD 6 = Lt. Duty DODGE 4WD 2 = Med. Duty DODGE 2WD 7 = Med. Duty DODGE 4WD 4 = TRUCK	12 = Van 140" 51 = Wagon 118" 52 = Wagon 140" 14 = Van 118" 15 = Van 140" 16 = Van 158" 54 = Wagon 118" 55 = Wagon 140" 56 = Wagon 158" 01 = Chassis Forward Control 118" 02 = Chassis Forward Control 140" 06 = Front Section 158" 11 = Van 118"	EX8 = Engine - 2.7L I5 Mercedes-Benz TD	DGJ = Transmission - 5-Spd Auto, MB

AR = use ase required - = Non illustrated part

**Brake, Power Regulator
Figure 5-520**



ITEM	PART NUMBER	QTY	LINE	SERIES	BODY	ENGINE	TRANS	TRIM	DESCRIPTION
	05119337AA	1	2, 6		01, 02, 06				
		1	2, 6		11, 12, 14, 15, 16				
		1	2, 6		51, 52, 54, 55, 56				
	05119339AA	1	3, 7		02, 06				
7		1	3, 7		12, 15, 16				NUT, Hex
	05097685AA	2	6, 2		01, 02, 06				
		2	2, 6		11, 12, 14, 15, 16				
		2	2, 6		51, 52, 54, 55, 56				
		2	3, 7		02, 06				
		2	3, 7		12, 15, 16				
8									BUSHING
	05118723AA	2	2, 6		01, 02, 06				
		2	2, 6		11, 12, 14, 15, 16				
		2	2, 6		51, 52, 54, 55, 56				
		2	3, 7		02, 06				
		2	3, 7		12, 15, 16				
9									LINK, Load Sensing
	05103920AA	1	2, 6		01, 02, 06				
		1	2, 6		11, 12, 14, 15, 16				
		1	3, 7		12, 15, 16				
		1	2, 6		51, 52, 54, 55, 56				
		1	3, 7		02, 06				
10									SPRING, Load Sensing Lever

SPRINTER (VA)

SERIES

L = LOWLINE

LINE

3 = HD DODGE 2WD
8 = HD DODGE 4WD
6 = Lt. Duty DODGE 4WD
2 = Med. Duty DODGE 2WD
7 = Med. Duty DODGE 4WD
4 = TRUCK

BODY

12 = Van 140"
51 = Wagon 118"
52 = Wagon 140"
14 = Van 118"
15 = Van 140"
16 = Van 158"
54 = Wagon 118"
55 = Wagon 140"
56 = Wagon 158"
01 = Chassis Forward Control
118"
02 = Chassis Forward Control
140"
06 = Front Section 158"
11 = Van 118"

ENGINE

EX8 = Engine - 2.7L I5
Mercedes-Benz TD

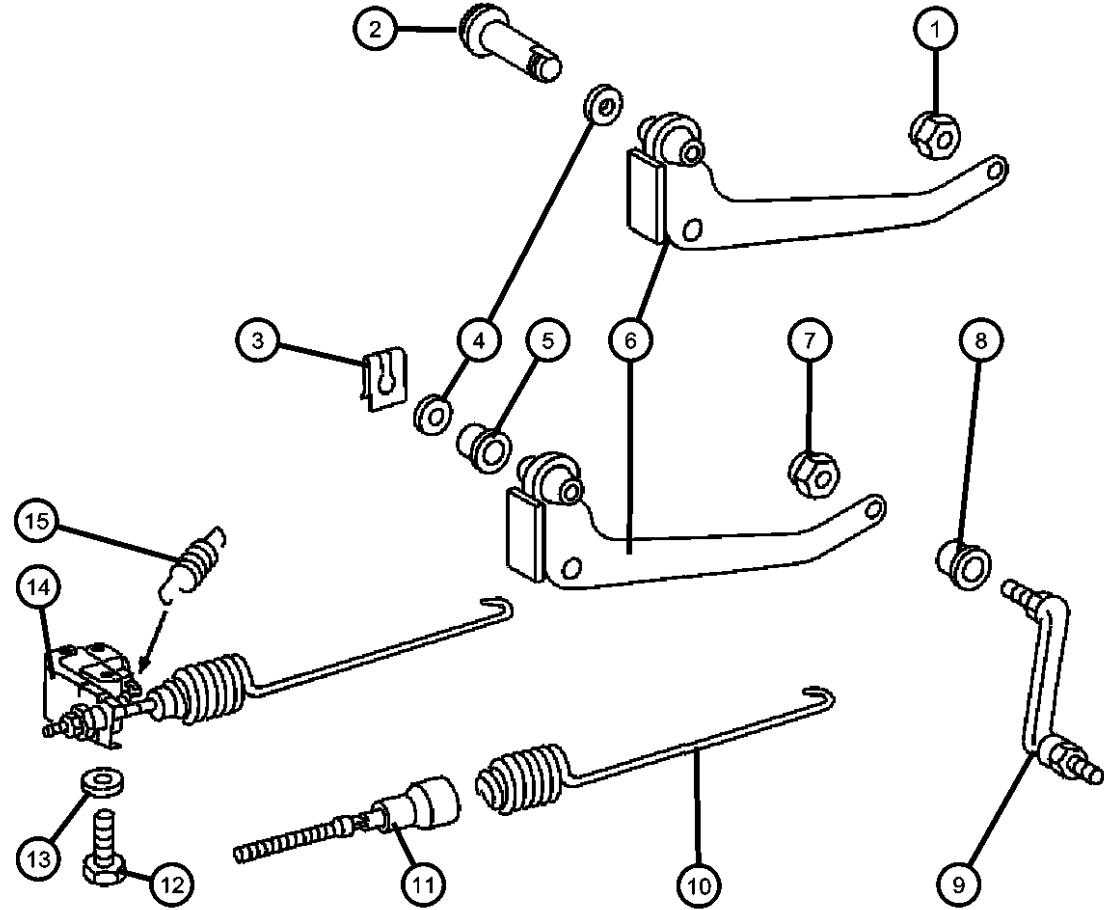
TRANSMISSION

DGJ = Transmission - 5-Spd Auto, MB

AR = use ase required - = Non illustrated part

2005 VA

**Brake, Power Regulator
Figure 5-520**



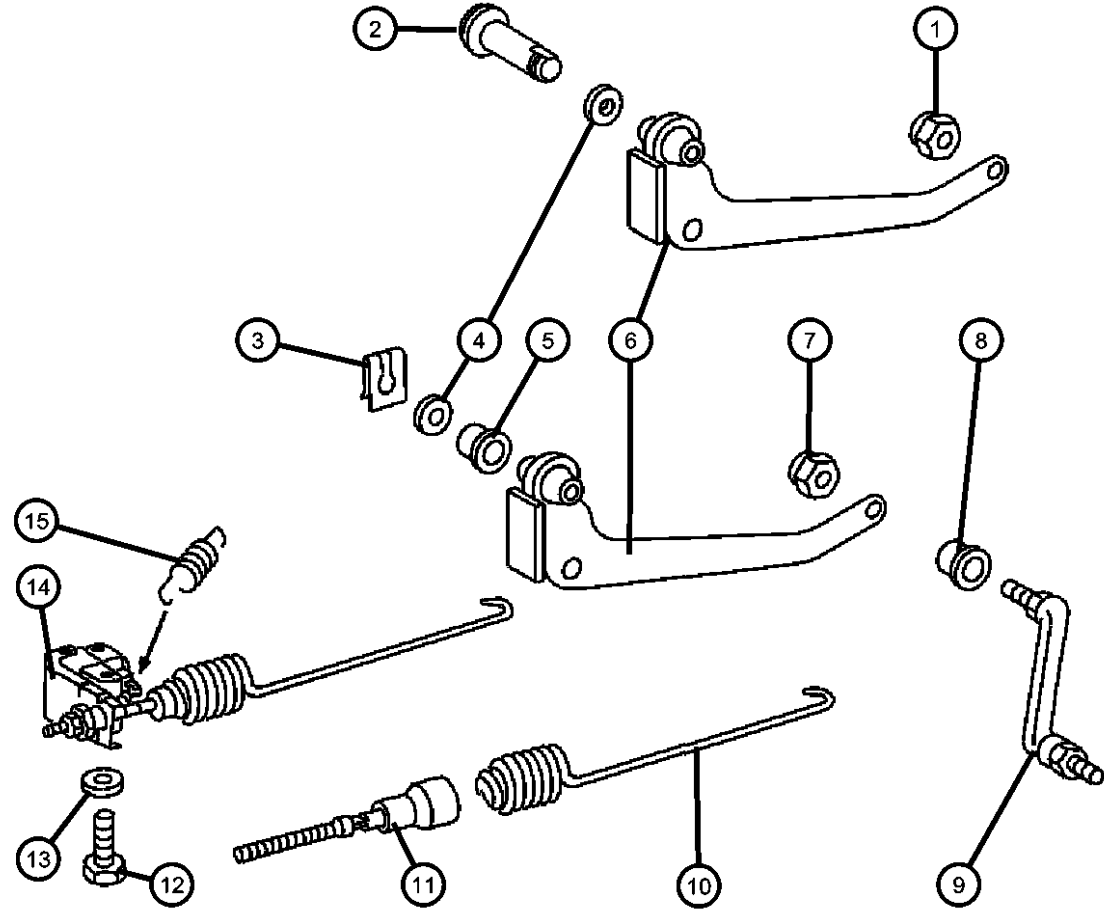
ITEM	PART NUMBER	QTY	LINE	SERIES	BODY	ENGINE	TRANS	TRIM	DESCRIPTION
	05133722AA	1	2, 6		01, 02, 06				
		1	2, 6		11, 12, 14, 15, 16				
		1	2, 6		51, 52, 54, 55, 56				
		1	3, 7		02, 06				
11		1	3, 7		12, 15, 16				SCREW, Load Sensing Adjustment
	05133723AA	1	2, 6		01, 02, 06				
		1	2, 6		11, 12, 14, 15, 16				
		1	2, 6		51, 52, 54, 55, 56				
		1	3, 7		02, 06				
		1	3, 7		12, 15, 16				
12		1	3, 7		12, 15, 16				BOLT, M8
	05133724AA	2	2, 6		01, 02, 06				
		2	2, 6		11, 12, 14, 15, 16				
		2	2, 6		51, 52, 54, 55, 56				
		2	3, 7		02, 06				
		2	3, 7		12, 15, 16				
13		2	3, 7		12, 15, 16				WASHER
	05104613AA	1	2, 6		01, 02, 06				
		1	2, 6		11, 12, 14, 15, 16				
		1	2, 6		51, 52, 54, 55, 56				
	05104614AA	1	3, 7		12, 15, 16				
		1	3, 7		02, 06				
14		1	3, 7		02, 06				VALVE, Load sensing

SPRINTER (VA)

SERIES	LINE	BODY	ENGINE	TRANSMISSION
L = LOWLINE	3 = HD DODGE 2WD 8 = HD DODGE 4WD 6 = Lt. Duty DODGE 4WD 2 = Med. Duty DODGE 2WD 7 = Med. Duty DODGE 4WD 4 = TRUCK	12 = Van 140" 51 = Wagon 118" 52 = Wagon 140" 14 = Van 118" 15 = Van 140" 16 = Van 158" 54 = Wagon 118" 55 = Wagon 140" 56 = Wagon 158" 01 = Chassis Forward Control 118" 02 = Chassis Forward Control 140" 06 = Front Section 158" 11 = Van 118"	EX8 = Engine - 2.7L I5 Mercedes-Benz TD	DGJ = Transmission - 5-Spd Auto, MB

AR = use ase required - = Non illustrated part

**Brake, Power Regulator
Figure 5-520**



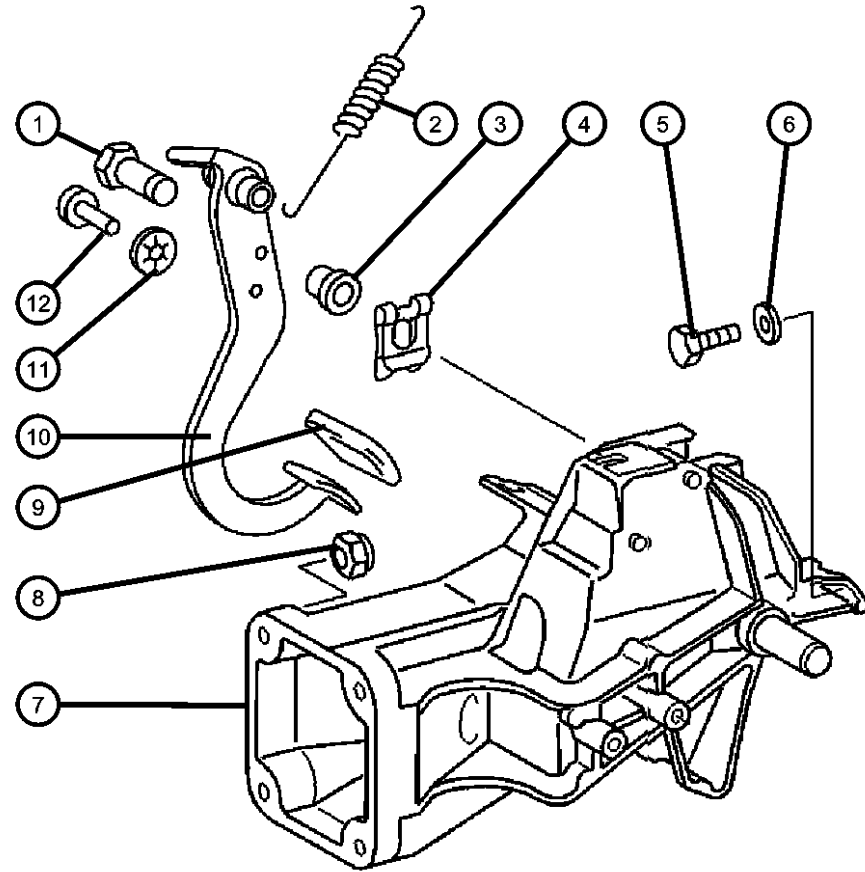
ITEM	PART NUMBER	QTY	LINE	SERIES	BODY	ENGINE	TRANS	TRIM	DESCRIPTION
	05103824AA	1	2, 6		01, 02, 06				
		1	2, 6		11, 12, 14, 15, 16				
		1	2, 6		51, 52, 54, 55, 56				
		1	3, 7		02, 06				
		1	3, 7		12, 15, 16				
15									SPRING, Load Sensing Valve
	05133720AA	1	2, 6		01, 02, 06				
		1	2, 6		11, 12, 14, 15, 16				
		1	2, 6		51, 52, 54, 55, 56				
		1	3, 7		02, 06				
		1	3, 7		12, 15, 16				

SPRINTER (VA)

SERIES	LINE	BODY	ENGINE	TRANSMISSION
L = LOWLINE	3 = HD DODGE 2WD 8 = HD DODGE 4WD 6 = Lt. Duty DODGE 4WD 2 = Med. Duty DODGE 2WD 7 = Med. Duty DODGE 4WD 4 = TRUCK	12 = Van 140" 51 = Wagon 118" 52 = Wagon 140" 14 = Van 118" 15 = Van 140" 16 = Van 158" 54 = Wagon 118" 55 = Wagon 140" 56 = Wagon 158"	EX8 = Engine - 2.7L I5 Mercedes-Benz TD	DGJ = Transmission - 5-Spd Auto, MB
		01 = Chassis Forward Control 118" 02 = Chassis Forward Control 140" 06 = Front Section 158" 11 = Van 118"		

AR = use ase required - = Non illustrated part

**Pedal Brake
Figure 5-610**



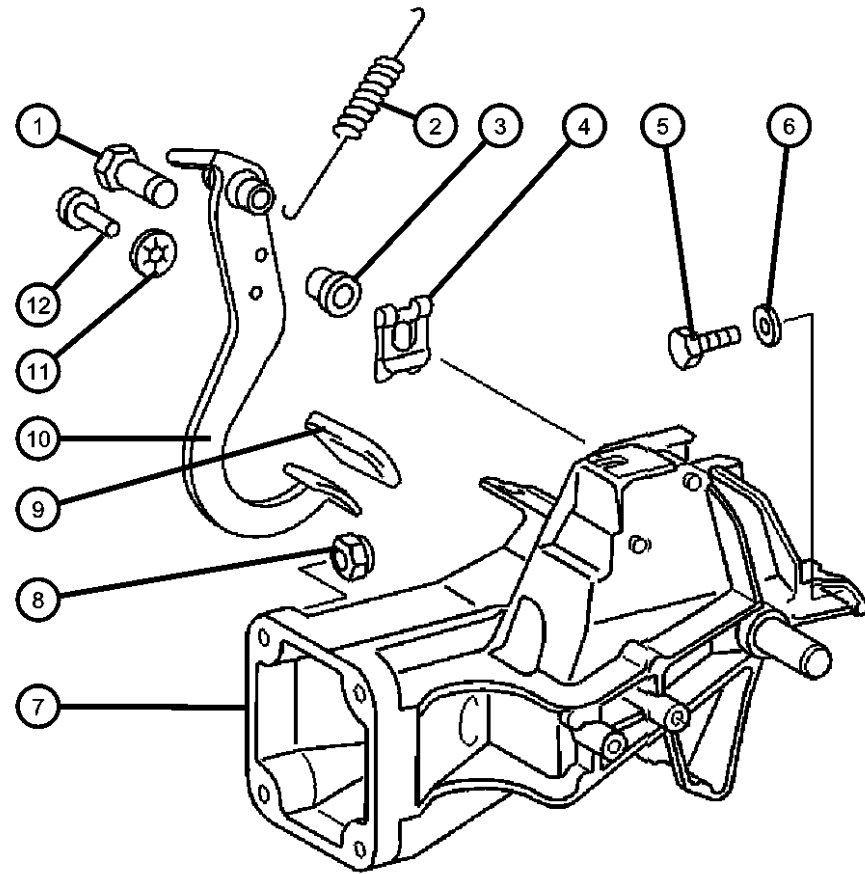
ITEM	PART NUMBER	QTY	LINE	SERIES	BODY	ENGINE	TRANS	TRIM	DESCRIPTION
1	05117911AA	1	2, 6		01, 02, 06				PIN, Brake Pedal Pivot Shaft
		1	2, 6		11, 12, 14, 15, 16				
		1	2, 6		51, 52, 54, 55, 56				
		1	3, 7		02, 06				
		1	3, 7		12, 15, 16				
2	05125847AA	1	2, 6		01, 02, 06				SPRING, Brake Pedal Return
		1	2, 6		11, 12, 14, 15, 16				
		1	2, 6		51, 52, 54, 55, 56				
		1	3, 7		02, 06				
		1	3, 7		12, 15, 16				
3	05096550AA	2	2, 6		11, 12, 14, 15, 16				BUSHING, Pedal Shaft
		2	2, 6		01, 02, 06				
		2	2, 6		51, 52, 54, 55, 56				
		2	3, 7		02, 06				
		2	3, 7		12, 15, 16				
4	05125872AA	1	3, 7		12, 15, 16				RETAINER
		1	2, 6		01, 02, 06				
		1	2, 6		11, 12, 14, 15, 16				
		1	2, 6		51, 52, 54, 55, 56				
		1	3, 7		02, 06				
5									BOLT

SPRINTER (VA)

SERIES	LINE	BODY	ENGINE	TRANSMISSION
L = LOWLINE	3 = HD DODGE 2WD 8 = HD DODGE 4WD 6 = Lt. Duty DODGE 4WD 2 = Med. Duty DODGE 2WD 7 = Med. Duty DODGE 4WD 4 = TRUCK	12 = Van 140" 51 = Wagon 118" 52 = Wagon 140" 14 = Van 118" 15 = Van 140" 16 = Van 158" 54 = Wagon 118" 55 = Wagon 140" 56 = Wagon 158" 01 = Chassis Forward Control 118" 02 = Chassis Forward Control 140" 06 = Front Section 158" 11 = Van 118"	EX8 = Engine - 2.7L I5 Mercedes-Benz TD	DGJ = Transmission - 5-Spd Auto, MB

AR = use ase required - = Non illustrated part

**Pedal Brake
Figure 5-610**



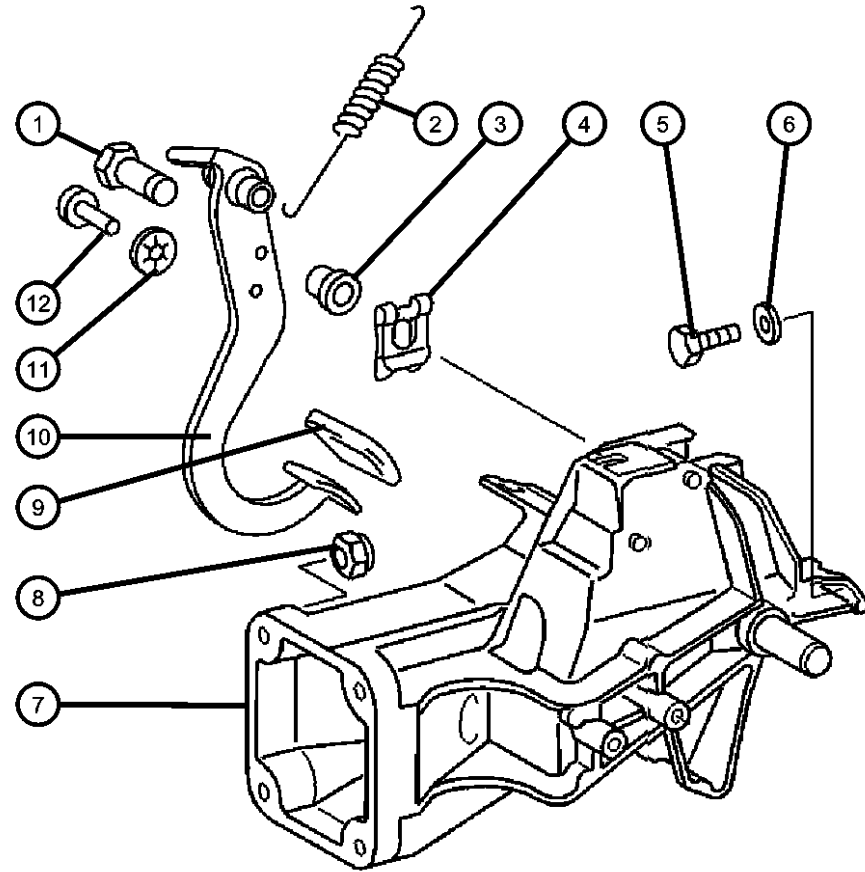
ITEM	PART NUMBER	QTY	LINE	SERIES	BODY	ENGINE	TRANS	TRIM	DESCRIPTION
	05126231AA	1	2, 6		01, 02, 06				Bracket to Firewall, Mounting
		1	2, 6		11, 12, 14, 15, 16				Bracket to Firewall, Mounting
		1	2, 6		51, 52, 54, 55, 56				Bracket to Firewall, Mounting
		1	3, 7		02, 06				Bracket to Firewall, Mounting
		1	3, 7		12, 15, 16				Bracket to Firewall, Mounting
6									WASHER, Flat
	05098108AA	1	2, 6		11, 12, 14, 15, 16				Bracket to Firewall
		1	2, 6		51, 52, 54, 55, 56				Bracket to Firewall
		1	3, 7		02, 06				Bracket to Firewall
		1	2, 6		01, 02, 06				Bracket to Firewall, Mounting
		1	3, 7		12, 15, 16				Bracket to Firewall
7									BRACKET, Brake Pedal
	05128211AA	1	2, 6		51, 52, 54, 55, 56				
		1	3, 7		02, 06				
		1	3, 7		12, 15, 16				
		1	6, 2		01, 02, 06				
		1	2, 6		11, 12, 14, 15, 16				
8									NUT
	06104716AA	4	2, 6		01, 02, 06				
		4	3, 7		02, 06				
		4	2, 6		11, 12, 14, 15, 16				
		4	2, 6		51, 52, 54, 55, 56				
		4	3, 7		12, 15, 16				
9									PAD, Pedal

SPRINTER (VA)

SERIES	LINE	BODY	ENGINE	TRANSMISSION
L = LOWLINE	3 = HD DODGE 2WD	12 = Van 140"	EX8 = Engine - 2.7L I5	DGJ = Transmission - 5-Spd Auto, MB
	8 = HD DODGE 4WD	51 = Wagon 118"	Mercedes-Benz TD	
	6 = Lt. Duty DODGE 4WD	52 = Wagon 140"		
	2 = Med. Duty DODGE 2WD	14 = Van 118"		
	7 = Med. Duty DODGE 4WD	15 = Van 140"		
	4 = TRUCK	16 = Van 158"		
		54 = Wagon 118"		
		55 = Wagon 140"		
		56 = Wagon 158"		
		01 = Chassis Forward Control 118"		
		02 = Chassis Forward Control 140"		
		06 = Front Section 158"		
		11 = Van 118"		

AR = use ase required - = Non illustrated part

**Pedal Brake
Figure 5-610**



ITEM	PART NUMBER	QTY	LINE	SERIES	BODY	ENGINE	TRANS	TRIM	DESCRIPTION
	05104017AA	1	2, 6		11, 12, 14, 15, 16				
		1	2, 6		51, 52, 54, 55, 56				
		1	3, 7		02, 06				
		1	3, 7		12, 15, 16				
		1	2, 6		01, 02, 06				
10									PEDAL, Brake
	05104045AA	1	2, 6		01, 02, 06				
		1	2, 6		11, 12, 14, 15, 16				
		1	2, 6		51, 52, 54, 55, 56				
		1	3, 7		02, 06				
		1	3, 7		12, 15, 16				
11									CLIP, Spring
	05097670AA	1	2, 6		01, 02, 06				
		1	2, 6		11, 12, 14, 15, 16				
		1	2, 6		51, 52, 54, 55, 56				
		1	3, 7		02, 06				
		1	3, 7		12, 15, 16				
12									PIN, Brake Pedal Pivot Shaft
	05117903AA	1	2, 6		01, 02, 06				
		1	2, 6		11, 12, 14, 15, 16				
		1	2, 6		51, 52, 54, 55, 56				
		1	3, 7		02, 06				
		1	3, 7		12, 15, 16				

SPRINTER (VA)

SERIES

L = LOWLINE

LINE

3 = HD DODGE 2WD
 8 = HD DODGE 4WD
 6 = Lt. Duty DODGE 4WD
 2 = Med. Duty DODGE 2WD
 7 = Med. Duty DODGE 4WD
 4 = TRUCK

BODY

12 = Van 140"
 51 = Wagon 118"
 52 = Wagon 140"
 14 = Van 118"
 15 = Van 140"
 16 = Van 158"
 54 = Wagon 118"
 55 = Wagon 140"
 56 = Wagon 158"
 01 = Chassis Forward Control
 118"
 02 = Chassis Forward Control
 140"
 06 = Front Section 158"
 11 = Van 118"

ENGINE

EX8 = Engine - 2.7L I5
 Mercedes-Benz TD

TRANSMISSION

DGJ = Transmission - 5-Spd Auto, MB

AR = use ase required - = Non illustrated part

2005 VA

Group - 7

Cooling

Group - 7 Cooling

Illustration Title

Group-Fig. No.

Radiator and Related Parts

Radiator And Related parts..... Fig. 7 - 120
 Charge Air Intercooler Fig. 7 - 130

Water Pump and Related Parts

Water Pump And Related Parts..... Fig. 7 - 210

Pulleys and Related Parts

Drive pulleys..... Fig. 7 - 410

Drive Belts

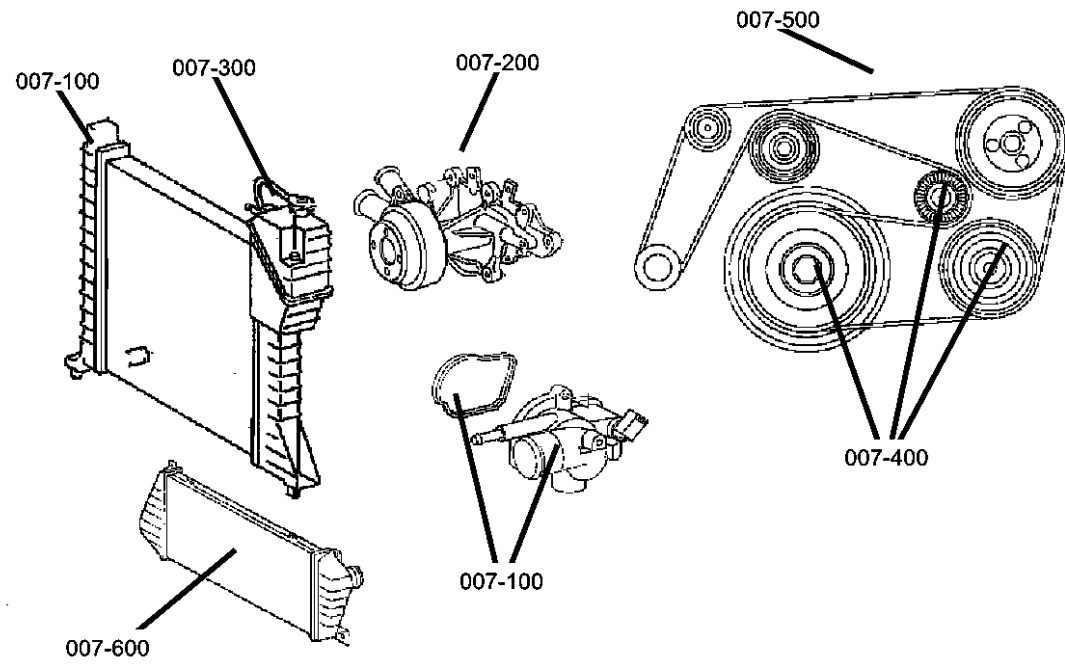
Drive Belts..... Fig. 7 - 520

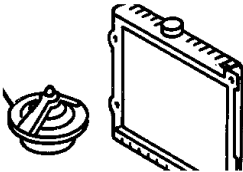
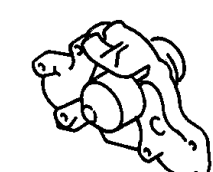
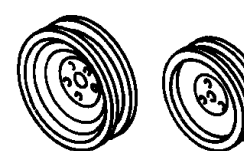
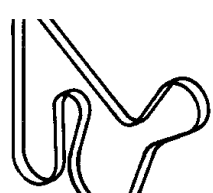
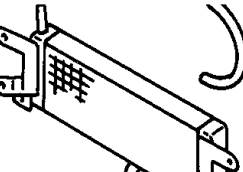
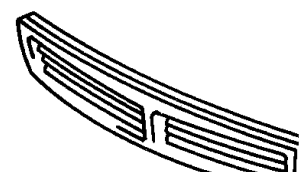
Lines, Transmission Oil Cooler

Oil Cooler Lines Fig. 7 - 610

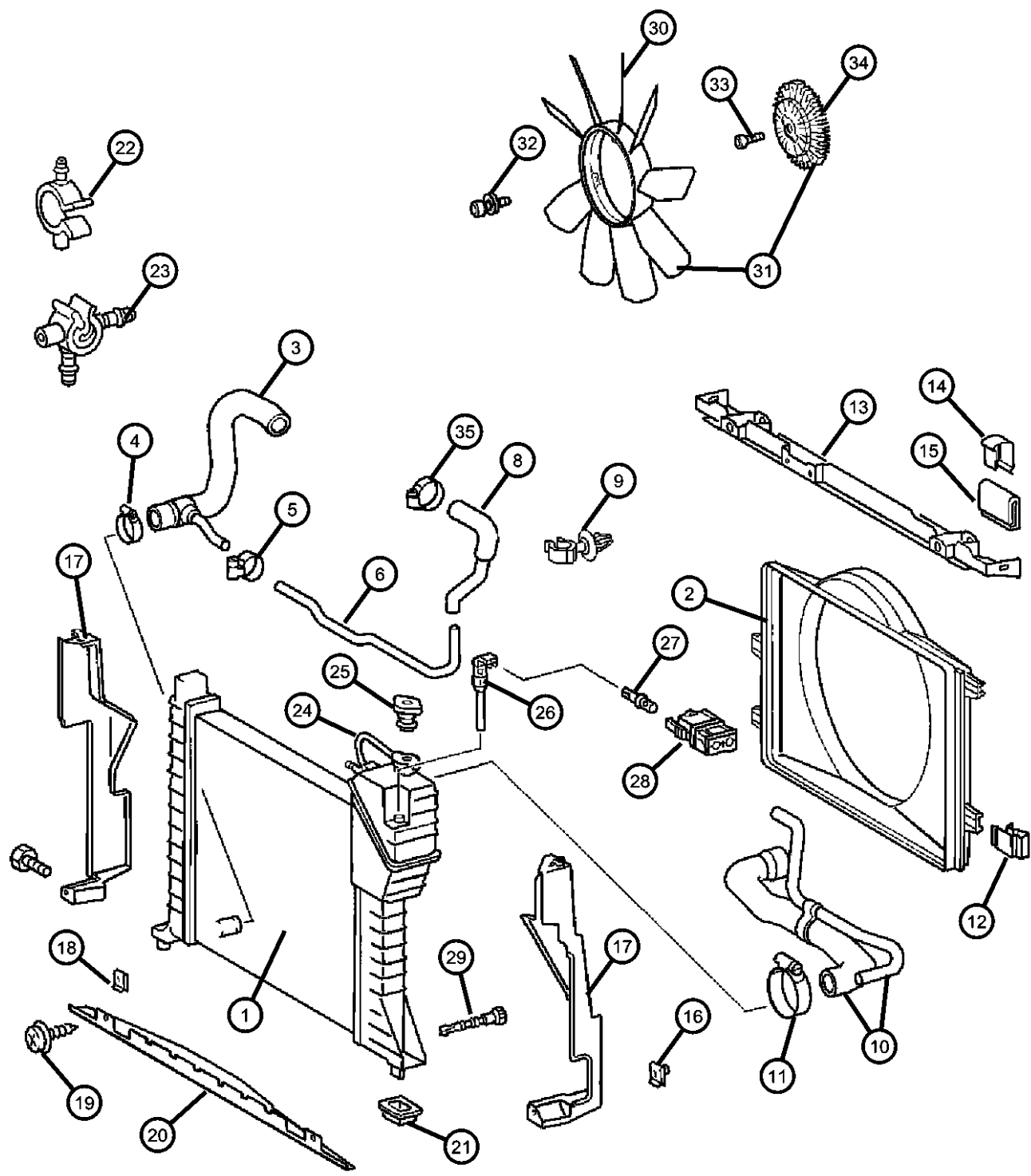
Grilles

Grille And Related Parts..... Fig. 7 - 710



<p>007-100 Radiator and Related Parts</p> 	<p>007-200 Water Pump and Related Parts</p> 	<p>007-400 Pulleys and Related Parts</p> 	<p>007-500 Drive Belts</p> 
<p>007-600 Lines, Transmission Oil Cooler</p> 	<p>007-700 Grilles</p> 		

Radiator And Related parts
Figure 7-120



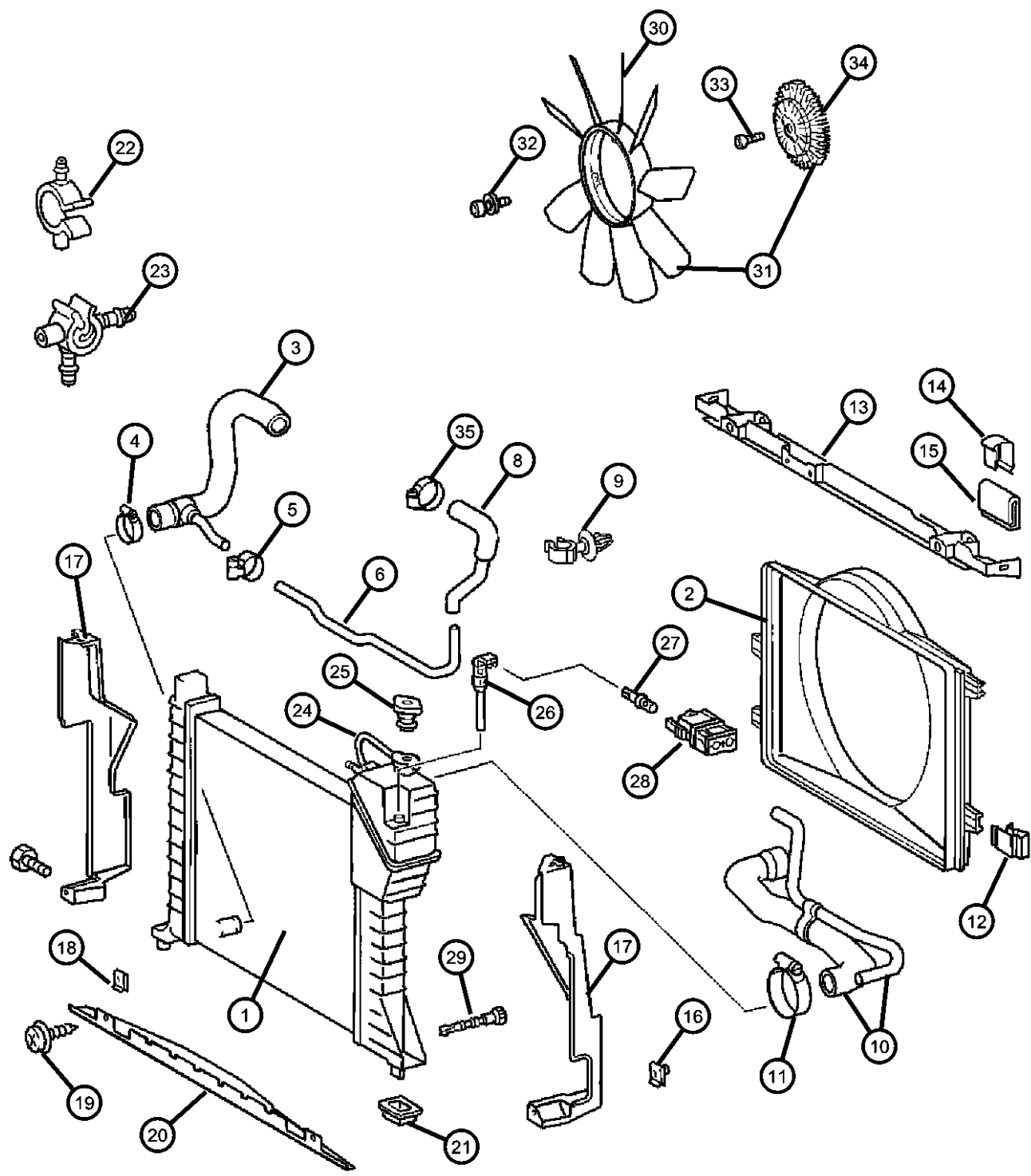
ITEM	PART NUMBER	QTY	LINE	SERIES	BODY	ENGINE	TRANS	TRIM	DESCRIPTION
1	05104117AA	1	2, 6			EX8	DGJ		RADIATOR
	05066386AA	1	3, 7			EX8	DGJ		Mopar Coolant 5 Year/100,000 Mile Formula 1 Gallon
2	05104130AA	1	2, 6			EX8	DGJ		SHROUD, Fan
	05066386AA	1	3, 7			EX8	DGJ		Mopar Coolant 5 Year/100,000 Mile Formula 1 Gallon
3	05103581AA	1	2, 6			EX8			HOSE, Radiator Outlet
		1	3, 7			EX8			
4	06104785AA	2	2, 6			EX8	DGJ		CLAMP, Hose
		2	3, 7			EX8	DGJ		
5	06104779AA	3	2, 6			EX8	DGJ		CLAMP, HOSE CLAMP
		3	3, 7			EX8	DGJ		
6	05104118AA	1	2, 6			EX8	DGJ		PIPE
-7	05135342AA	1	2, 6			EX8	DGJ		HOSE, Coolant
		1	3, 7			EX8	DGJ		
8	05103580AA	1	2, 6			EX8	DGJ		HOSE, Radiator
		1	3, 7			EX8	DGJ		
9	05125879AA	4	2, 6			EX8	DGJ		CLIP, Cable
		4	3, 7			EX8	DGJ		
10									HOSE, Radiator Inlet

SPRINTER (VA)

SERIES	LINE	BODY	ENGINE	TRANSMISSION
L = LOWLINE	3 = HD DODGE 2WD 8 = HD DODGE 4WD 6 = Lt. Duty DODGE 4WD 2 = Med. Duty DODGE 2WD 7 = Med. Duty DODGE 4WD 4 = TRUCK	12 = Van 140" 51 = Wagon 118" 52 = Wagon 140" 14 = Van 118" 15 = Van 140" 16 = Van 158" 54 = Wagon 118" 55 = Wagon 140" 56 = Wagon 158" 01 = Chassis Forward Control 118" 02 = Chassis Forward Control 140" 06 = Front Section 158" 11 = Van 118"	EX8 = Engine - 2.7L I5 Mercedes-Benz TD	DGJ = Transmission - 5-Spd Auto, MB

AR = use ase required - = Non illustrated part

Radiator And Related parts
Figure 7-120



ITEM	PART NUMBER	QTY	LINE	SERIES	BODY	ENGINE	TRANS	TRIM	DESCRIPTION
	05103582AA	1	2, 6			EX8	DGJ		
		1	3, 7			EX8	DGJ		
11	06104784AA	2	2, 6			EX8	DGJ		CLAMP, Hose
		2	3, 7			EX8	DGJ		
12	05099355AA	4	2, 6			EX8	DGJ		CLIP, Fan Shroud
		4	3, 7			EX8	DGJ		
13	05104125AA	1	2, 6			EX8	DGJ		COVER, Radiator
		1	3, 7			EX8	DGJ		
14	05104122AA	2	2, 6			EX8	DGJ		CLAMP, Radiator
		2	3, 7			EX8	DGJ		
15	05104123AA	2	2, 6			EX8	DGJ		ISOLATOR, Radiator
		2	3, 7			EX8	DGJ		
16	05103733AA	3	2, 6			EX8	DGJ		NUT
		3	3, 7			EX8	DGJ		
17	05104127AA	1	2, 6			EX8	DGJ		SHIELD, Side, Radiator Cooling
		1	3, 7			EX8	DGJ		Left
	05104128AA	1	2, 6			EX8	DGJ		Left
		1	3, 7			EX8	DGJ		Right
		1	3, 7			EX8	DGJ		Right
18	05133497AA	2	2, 6			EX8	DGJ		CLIP
		2	3, 7			EX8	DGJ		

SPRINTER (VA)

SERIES

L = LOWLINE

LINE

3 = HD DODGE 2WD
 8 = HD DODGE 4WD
 6 = Lt. Duty DODGE 4WD
 2 = Med. Duty DODGE 2WD
 7 = Med. Duty DODGE 4WD
 4 = TRUCK

BODY

12 = Van 140"
 51 = Wagon 118"
 52 = Wagon 140"
 14 = Van 118"
 15 = Van 140"
 16 = Van 158"
 54 = Wagon 118"
 55 = Wagon 140"
 56 = Wagon 158"
 01 = Chassis Forward Control
 118"
 02 = Chassis Forward Control
 140"
 06 = Front Section 158"
 11 = Van 118"

ENGINE

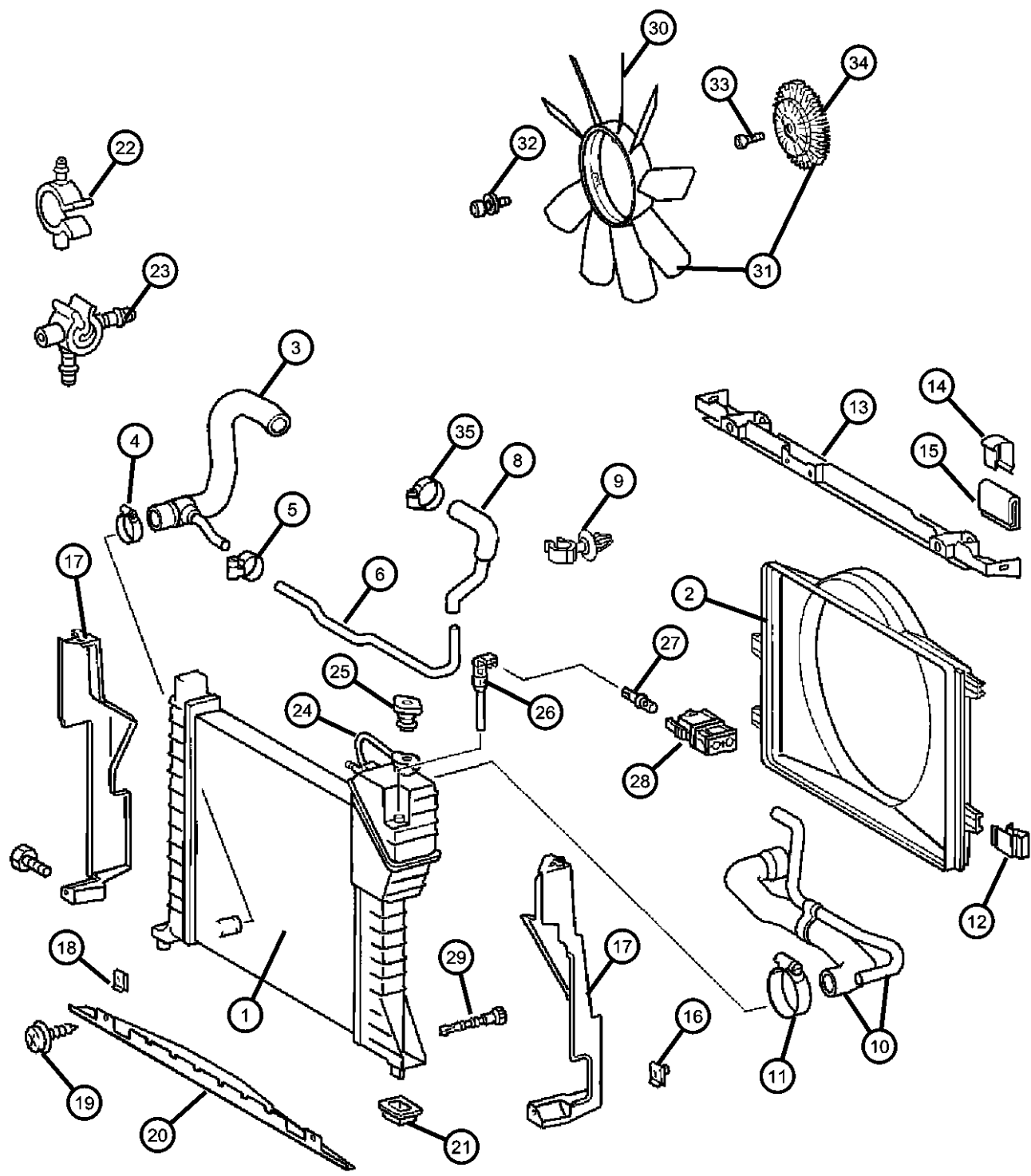
EX8 = Engine - 2.7L I5
 Mercedes-Benz TD

TRANSMISSION

DGJ = Transmission - 5-Spd Auto, MB

AR = use ase required - = Non illustrated part

Radiator And Related parts
Figure 7-120



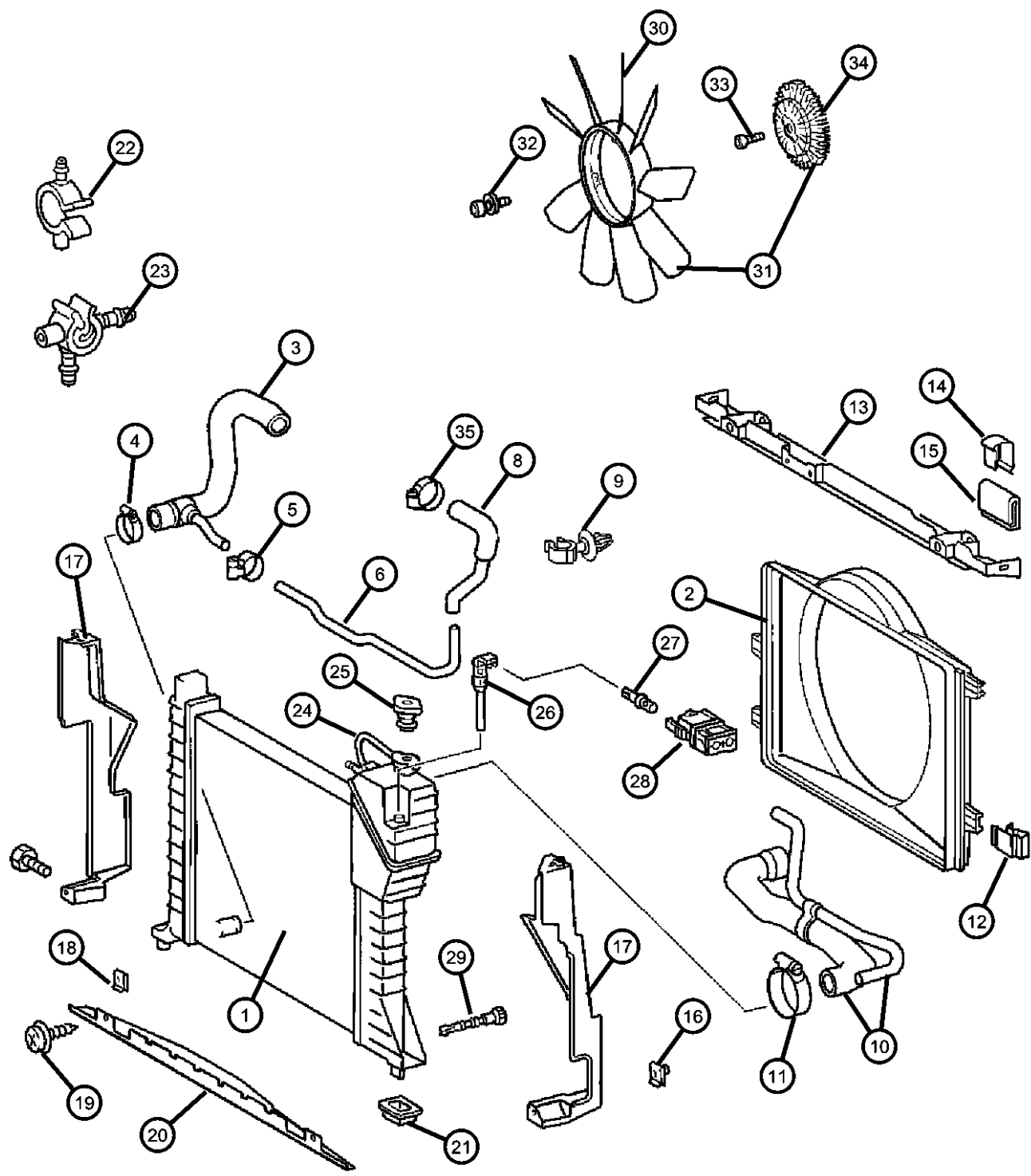
ITEM	PART NUMBER	QTY	LINE	SERIES	BODY	ENGINE	TRANS	TRIM	DESCRIPTION
19	06104574AA	2	2, 6			EX8	DGJ		SCREW, Tapping
		2	3, 7			EX8	DGJ		
20	05104129AA	1	2, 6			EX8	DGJ		SHIELD, Radiator
		1	3, 7			EX8	DGJ		
21	05104021AA	2	2, 6			EX8	DGJ		ISOLATOR, Radiator
		2	3, 7			EX8	DGJ		
22		2							CLIP, (NOT SERVICED)
23	06104924AA	1	2, 6			EX8	DGJ		CLIP, Retaining
		1	3, 7			EX8	DGJ		
24	05133493AA	900	2, 6			EX8	DGJ		HOSE 5 Meters Long
		900	3, 7			EX8	DGJ		5 Meters Long
25	05103533AA	1	2, 6			EX8	DGJ		CAP, Radiator
		1	3, 7			EX8	DGJ		
26	05120509AA	1	2, 6			EX8	DGJ		SENSOR, Coolant Level
		1	3, 7			EX8	DGJ		
27	05120519AA	1	3, 7			EX8	DGJ		TERMINAL
		1	2, 6			EX8	DGJ		
28	05120691AA	1	2, 6			EX8	DGJ		CONNECTOR
		1	3, 7			EX8	DGJ		

SPRINTER (VA)

SERIES	LINE	BODY	ENGINE	TRANSMISSION
L = LOWLINE	3 = HD DODGE 2WD 8 = HD DODGE 4WD 6 = Lt. Duty DODGE 4WD 2 = Med. Duty DODGE 2WD 7 = Med. Duty DODGE 4WD 4 = TRUCK	12 = Van 140" 51 = Wagon 118" 52 = Wagon 140" 14 = Van 118" 15 = Van 140" 16 = Van 158" 54 = Wagon 118" 55 = Wagon 140" 56 = Wagon 158" 01 = Chassis Forward Control 118" 02 = Chassis Forward Control 140" 06 = Front Section 158" 11 = Van 118"	EX8 = Engine - 2.7L I5 Mercedes-Benz TD	DGJ = Transmission - 5-Spd Auto, MB

AR = use ase required - = Non illustrated part

Radiator And Related parts
Figure 7-120



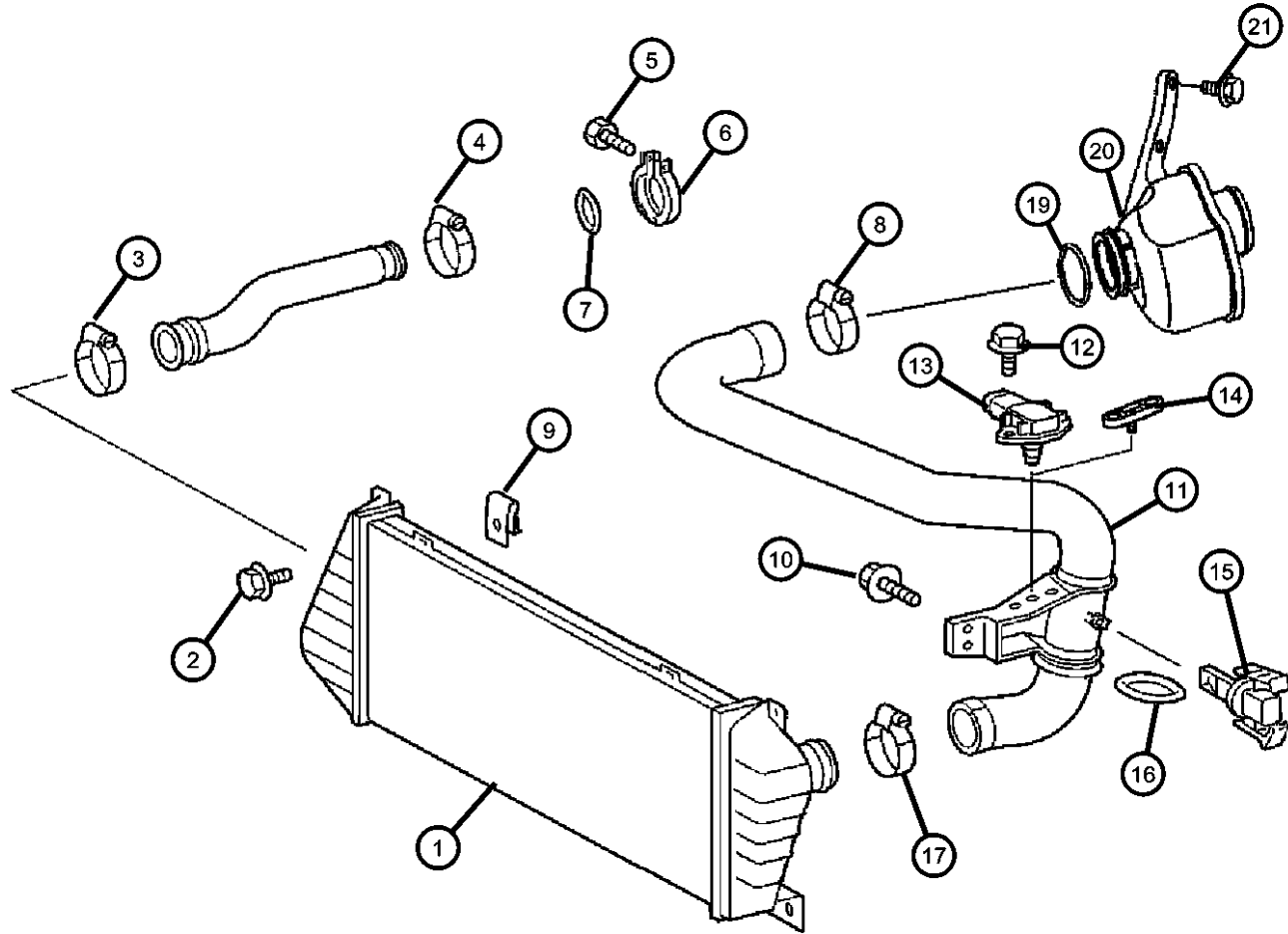
ITEM	PART NUMBER	QTY	LINE	SERIES	BODY	ENGINE	TRANS	TRIM	DESCRIPTION
29	05098834AA	1	2, 6			EX8	DGJ		DRAINCOCK, Radiator
		1	3, 7			EX8	DGJ		
30	05136052AA	1	2, 6			EX8	DGJ		FAN, Cooling
		1	3, 7			EX8	DGJ		
31	05117642AA	1	3, 7			EX8	DGJ		FAN, Cooling
		1	2, 6			EX8	DGJ		Fan Blade And Clutch Assembly
32		1							SCREW, (NOT SERVICED),
33	05104618AA	1	2, 6			EX8	DGJ		SCREW, Hitch Ball
		1	3, 7			EX8	DGJ		
34	05103623AA	1	2, 6			EX8	DGJ		DRIVE, Fan
		1	3, 7			EX8	DGJ		
35	05133494AA	1	2, 6			EX8	DGJ		CLAMP
		1	3, 7			EX8	DGJ		

SPRINTER (VA)

SERIES	LINE	BODY	ENGINE	TRANSMISSION
L = LOWLINE	3 = HD DODGE 2WD 8 = HD DODGE 4WD 6 = Lt. Duty DODGE 4WD 2 = Med. Duty DODGE 2WD 7 = Med. Duty DODGE 4WD 4 = TRUCK	12 = Van 140" 51 = Wagon 118" 52 = Wagon 140" 14 = Van 118" 15 = Van 140" 16 = Van 158" 54 = Wagon 118" 55 = Wagon 140" 56 = Wagon 158" 01 = Chassis Forward Control 118" 02 = Chassis Forward Control 140" 06 = Front Section 158" 11 = Van 118"	EX8 = Engine - 2.7L I5 Mercedes-Benz TD	DGJ = Transmission - 5-Spd Auto, MB

AR = use ase required - = Non illustrated part

Charge Air Intercooler
Figure 7-130



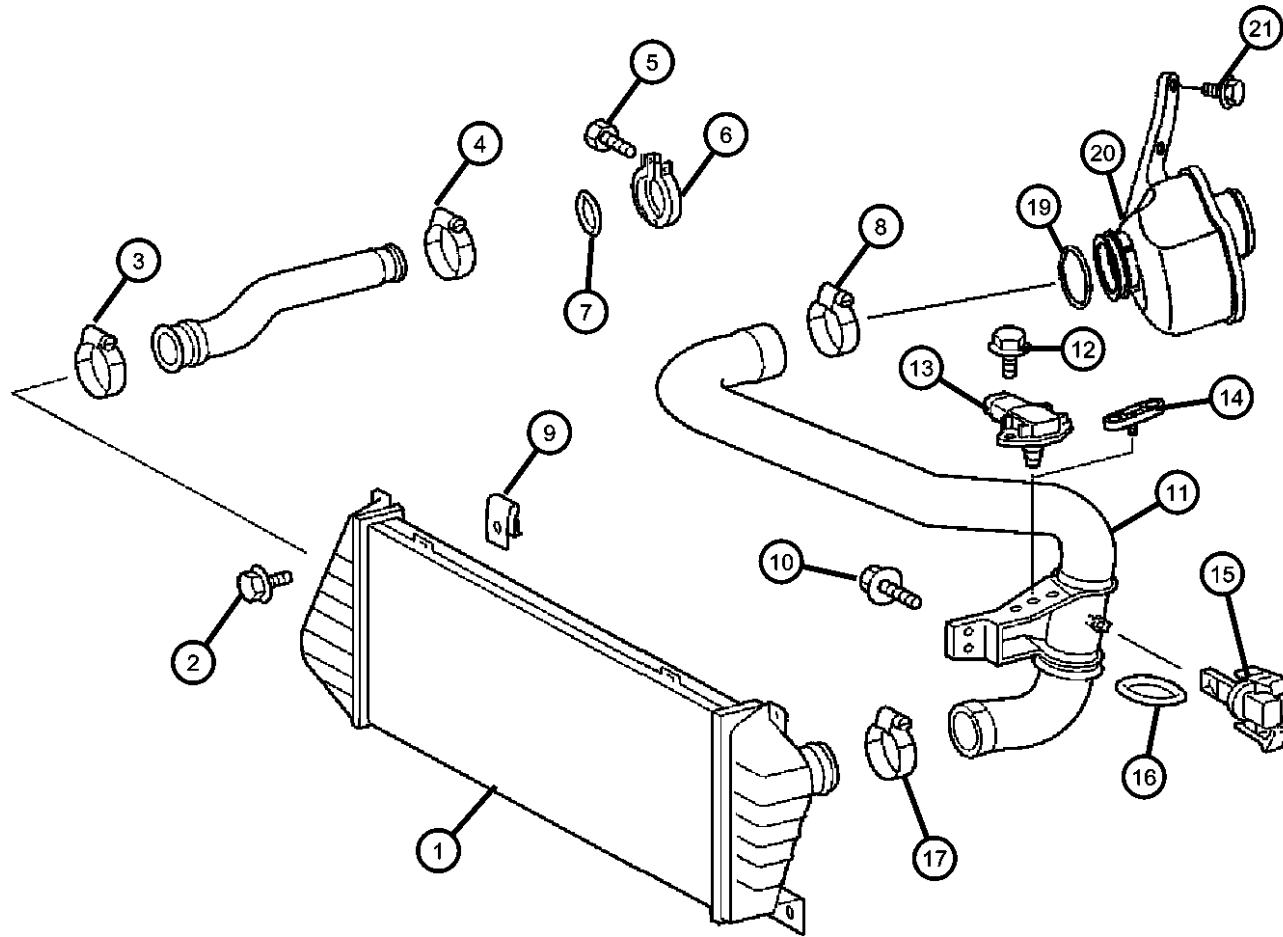
ITEM	PART NUMBER	QTY	LINE	SERIES	BODY	ENGINE	TRANS	TRIM	DESCRIPTION
1	05119997AA	1	2, 6			EX8	DGJ		COOLER, Charge Air
		1	3, 7			EX8	DGJ		
2	05133476AA	4	2, 6			EX8	DGJ		SCREW
		4	3, 7			EX8	DGJ		
3	05104602AA	1	2, 6			EX8, EX9			CLAMP
		1	3, 7			EX8, EX9			
4	05104601AA	1	2, 6			EX8	DGJ		CLAMP, Hose
		1	3, 7			EX8	DGJ		
5	05096986AA	2	2, 6			EX8	DGJ		SCREW
6	05125874AA	1	2, 6			EX8	DGJ		CLAMP, Mounting
		1	3, 7			EX8	DGJ		
7	05080311AA	1	2, 3, 6, 7			EX8	DGJ		O RING
8	05104602AA	1	2, 6			EX8, EX9			CLAMP
		1	7, 3			EX8, EX9			
9	05125863AA	4	2, 6			EX8	DGJ		U-NUT
		4	3, 7			EX8	DGJ		
10	05104610AA	2	2, 6			EX8	DGJ		SCREW
		2	3, 7			EX8	DGJ		
11	05120147AA	1	2, 6			EX8	DGJ		HOSE, Radiator

SPRINTER (VA)

SERIES	LINE	BODY	ENGINE	TRANSMISSION
L = LOWLINE	3 = HD DODGE 2WD 8 = HD DODGE 4WD 6 = Lt. Duty DODGE 4WD 2 = Med. Duty DODGE 2WD 7 = Med. Duty DODGE 4WD 4 = TRUCK	12 = Van 140" 51 = Wagon 118" 52 = Wagon 140" 14 = Van 118" 15 = Van 140" 16 = Van 158" 54 = Wagon 118" 55 = Wagon 140" 56 = Wagon 158" 01 = Chassis Forward Control 118" 02 = Chassis Forward Control 140" 06 = Front Section 158" 11 = Van 118"	EX8 = Engine - 2.7L I5 Mercedes-Benz TD	DGJ = Transmission - 5-Spd Auto, MB

AR = use ase required - = Non illustrated part

Charge Air Intercooler
Figure 7-130



ITEM	PART NUMBER	QTY	LINE	SERIES	BODY	ENGINE	TRANS	TRIM	DESCRIPTION
12		1	3, 7			EX8	DGJ		SCREW
	06104172AA	1	2, 6			EX8	DGJ		
		1	3, 7			EX8	DGJ		
13									SENSOR, MAP
	05117545AA	1	2, 6			EX8	DGJ		
		1	3, 7			EX8	DGJ		
14		1							SPACER, (NOT SERVICED)
15	05174042AA	1	2, 3, 6, 7			EX8	DGJ		SENSOR, Temperature, AIR INTAKE TEMP. SENSOR
16	05103906AA	1	3, 7			EX8	DGJ		O RING
17									CLAMP
	05104602AA	1	3, 7			EX8, EX9			
		1	2, 6			EX8, EX9			
-18	05120148AA	1	2, 6			EX8	DGJ		HOSE, Air Induction
19	05139047AA	1	2, 3, 6, 7			EX8	DGJ		O RING
20	05137154AA	1	2, 3, 6, 7			EX8	DGJ		RESONATOR, Turbo
21	06104077AA	2	2, 3, 6, 7			EX8	DGJ		SCREW

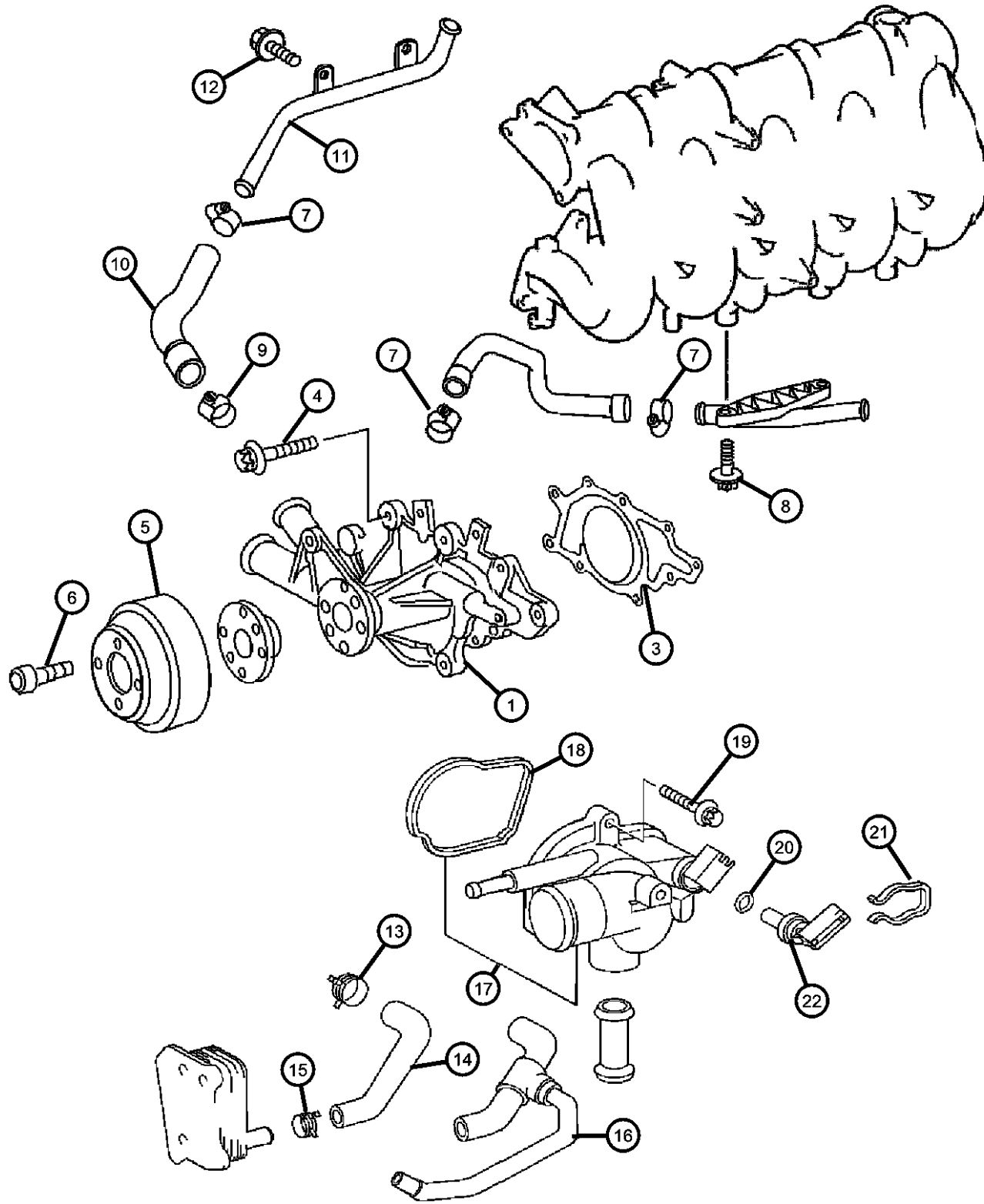
SPRINTER (VA)

SERIES	LINE	BODY	ENGINE	TRANSMISSION
L = LOWLINE	3 = HD DODGE 2WD 8 = HD DODGE 4WD 6 = Lt. Duty DODGE 4WD 2 = Med. Duty DODGE 2WD 7 = Med. Duty DODGE 4WD 4 = TRUCK	12 = Van 140" 51 = Wagon 118" 52 = Wagon 140" 14 = Van 118" 15 = Van 140" 16 = Van 158" 54 = Wagon 118" 55 = Wagon 140" 56 = Wagon 158" 01 = Chassis Forward Control 118" 02 = Chassis Forward Control 140" 06 = Front Section 158" 11 = Van 118"	EX8 = Engine - 2.7L I5 Mercedes-Benz TD	DGJ = Transmission - 5-Spd Auto, MB

AR = use ase required - = Non illustrated part

2005 VA

**Water Pump And Related Parts
Figure 7-210**



ITEM	PART NUMBER	QTY	LINE	SERIES	BODY	ENGINE	TRANS	TRIM	DESCRIPTION
1	05138057AA	1	2, 3, 6, 7			EX8	DGJ		PUMP, Water
-2	05137500AA	1	2, 3, 6, 7			EX8	DGJ		HOSE, Water Pump
3	05080144AA	1	2, 3, 6, 7			EX8	DGJ		GASKET, Water Pump, Coolant Pump
4	06104682AA	3	2, 3, 6, 7			EX8	DGJ		SCREW
5	05136764AA	1	2, 3, 6, 7			EX8	DGJ		PULLEY, Water Pump
6	06104140AA	4	2, 3, 6, 7			EX8	DGJ		SCREW
7	06104781AA	1	2, 3, 6, 7			EX8	DGJ		CLAMP, Hose
8	05096986AA	2	2, 6			EX8	DGJ		SCREW
9									CLAMP
	05133494AA	1	2, 6			EX8	DGJ		
		1	3, 7			EX8	DGJ		
10	05103985AA	1	2, 3, 6, 7			EX8	DGJ		TUBE, Heater Return
11	05117644AA	1	2, 3, 6, 7			EX8	DGJ		TUBE, Heater Return
12	06104005AA	2	2, 3, 6, 7			EX8	DGJ		SCREW
13	05080153AA	1	2, 3, 6, 7			EX8	DGJ		CLAMP, Hose
14	05103986AA	1	2, 3, 6, 7			EX8	DGJ		HOSE
15									CLAMP
	05133496AA	1	2, 6			EX8	DGJ		
		1	3, 7			EX8	DGJ		
16	05080151AA	1	2, 3, 6, 7			EX8	DGJ		HOSE, Oil Cooler
17	05080146AB	1	2, 3, 6, 7			EX8	DGJ		THERMOSTAT
18	05080150AA	1	2, 3, 6, 7			EX8	DGJ		GASKET, Thermostat
19									SCREW
	06104144AA	2	2, 6			EX8	DGJ		
		2	3, 7			EX8	DGJ		
20	05080148AA	1	2, 3, 6, 7			EX8	DGJ		O RING
21	05080149AA	1	2, 3, 6, 7			EX8	DGJ		CLIP

SPRINTER (VA)

SERIES

L = LOWLINE

LINE

3 = HD DODGE 2WD
 8 = HD DODGE 4WD
 6 = Lt. Duty DODGE 4WD
 2 = Med. Duty DODGE 2WD
 7 = Med. Duty DODGE 4WD
 4 = TRUCK

BODY

12 = Van 140"
 51 = Wagon 118"
 52 = Wagon 140"
 14 = Van 118"
 15 = Van 140"
 16 = Van 158"
 54 = Wagon 118"
 55 = Wagon 140"
 56 = Wagon 158"
 01 = Chassis Forward Control 118"
 02 = Chassis Forward Control 140"
 06 = Front Section 158"
 11 = Van 118"

ENGINE

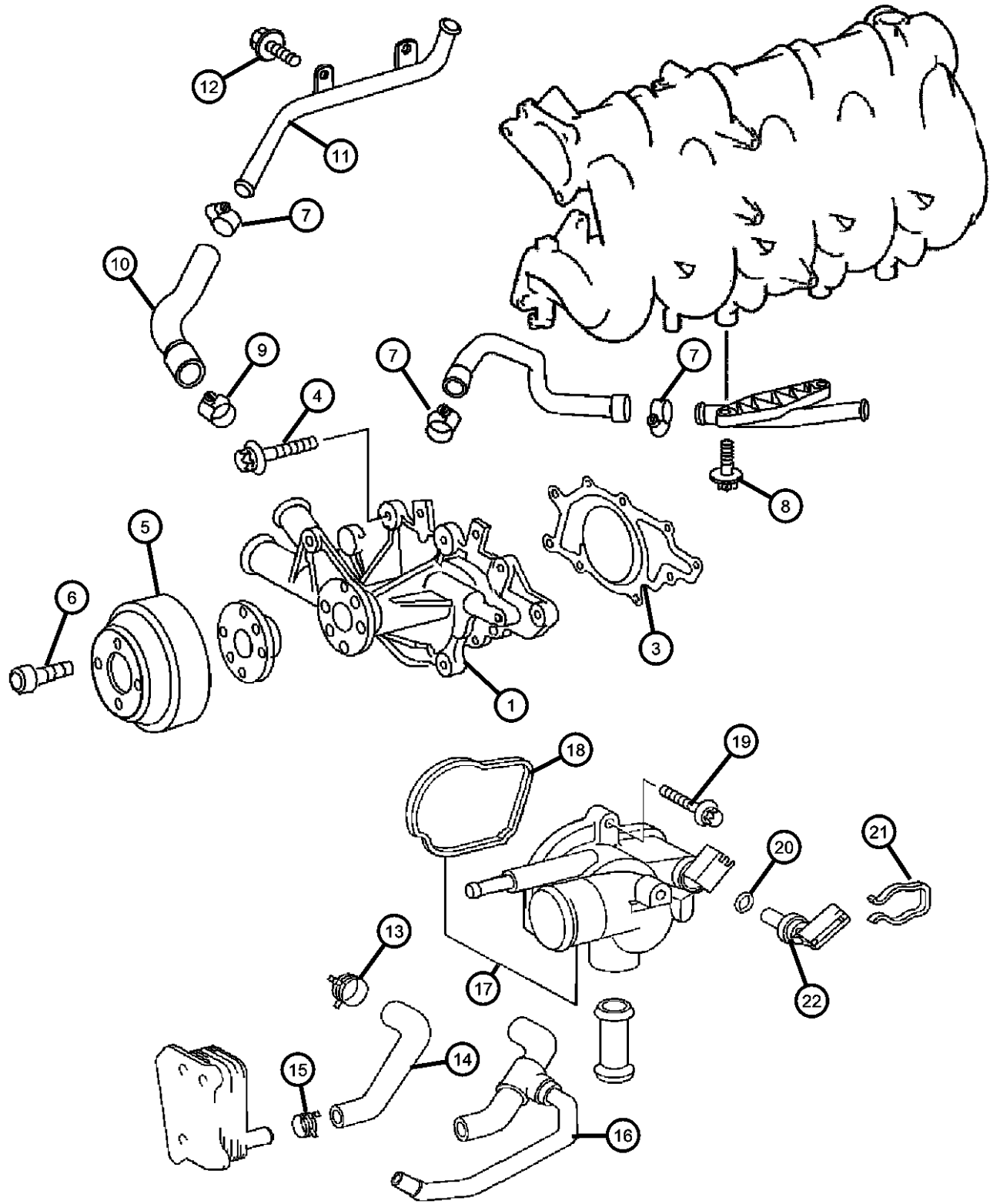
EX8 = Engine - 2.7L I5
 Mercedes-Benz TD

TRANSMISSION

DGJ = Transmission - 5-Spd Auto, MB

AR = use ase required - = Non illustrated part

Water Pump And Related Parts
Figure 7-210

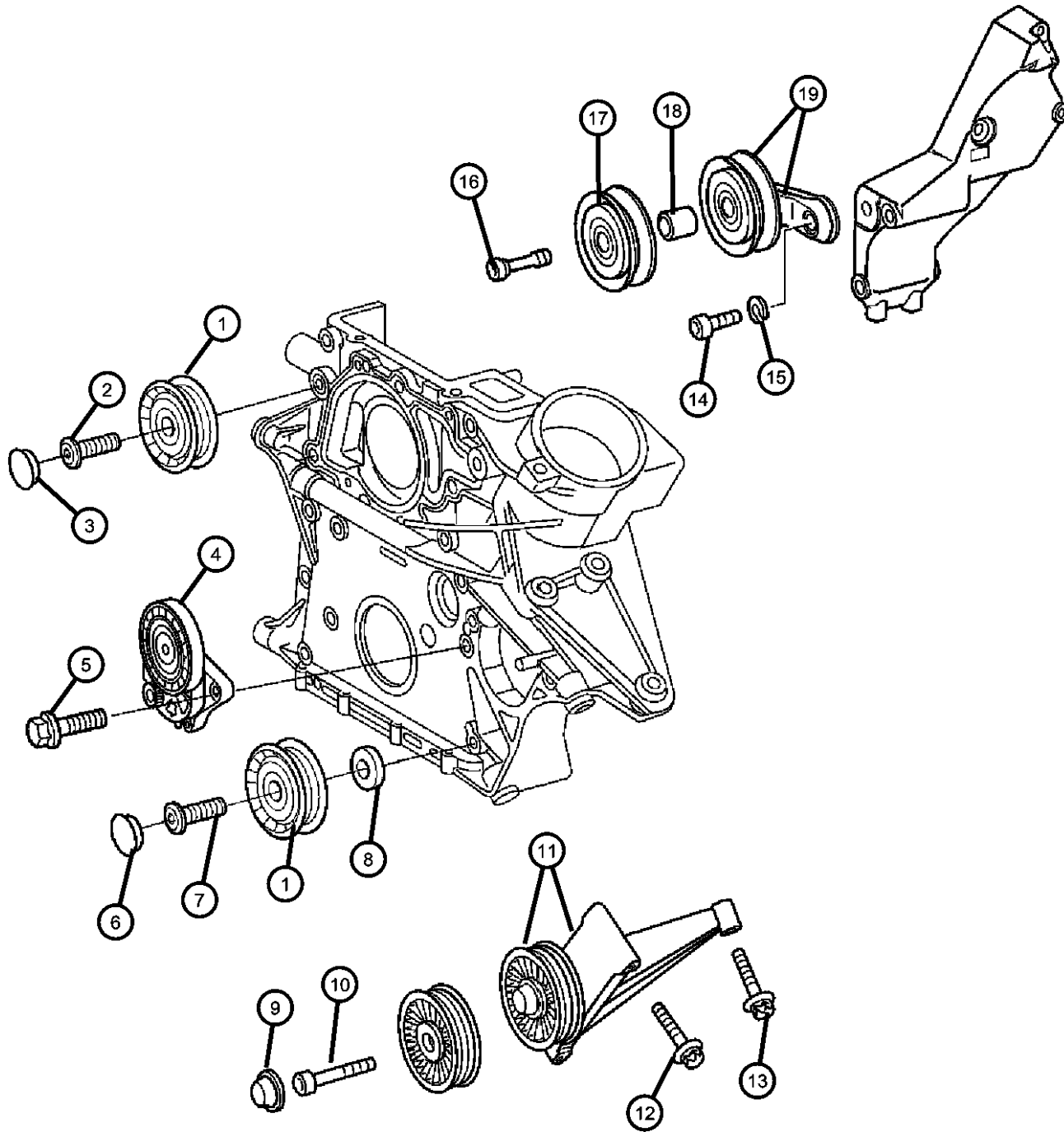


ITEM	PART NUMBER	QTY	LINE	SERIES	BODY	ENGINE	TRANS	TRIM	DESCRIPTION
22	05080147AA	1	2, 3, 6, 7			EX8	DGJ		SENDING UNIT, Temperature Gauge
-23	05137502AA	1	2, 3, 6, 7			EX8	DGJ		GASKET, Water Pump, Lower Hose/Tube to Water Pump

SPRINTER (VA)				
SERIES	LINE	BODY	ENGINE	TRANSMISSION
L = LOWLINE	3 = HD DODGE 2WD 8 = HD DODGE 4WD 6 = Lt. Duty DODGE 4WD 2 = Med. Duty DODGE 2WD 7 = Med. Duty DODGE 4WD 4 = TRUCK	12 = Van 140" 51 = Wagon 118" 52 = Wagon 140" 14 = Van 118" 15 = Van 140" 16 = Van 158" 54 = Wagon 118" 55 = Wagon 140" 56 = Wagon 158" 01 = Chassis Forward Control 118" 02 = Chassis Forward Control 140" 06 = Front Section 158" 11 = Van 118"	EX8 = Engine - 2.7L I5 Mercedes-Benz TD	DGJ = Transmission - 5-Spd Auto, MB

AR = use ase required - = Non illustrated part

Drive pulleys
Figure 7-410



ITEM	PART NUMBER	QTY	LINE	SERIES	BODY	ENGINE	TRANS	TRIM	DESCRIPTION
1	05080246AA	2	2, 3, 6, 7			EX8	DGJ		PULLEY, Tensioner
2	05073902AA	1	2, 3, 6, 7			EX8	DGJ		SCREW
3	05080250AA	1	2, 3, 6, 7			EX8	DGJ		CAP, CAP
4	05080243AA	1	2, 3, 6, 7			EX8	DGJ		TENSIONER, Belt
5	05073896AA	2	2, 3, 6, 7			EX8	DGJ		SCREW
6	05080250AA	1	2, 3, 6, 7			EX8	DGJ		CAP, CAP
7	05073902AA	1	2, 3, 6, 7			EX8	DGJ		SCREW
8	05080248AA	1	2, 3, 6, 7			EX8	DGJ		WASHER
9									CAP, Screw Cover
	05125553AA	1	2, 6			EX8	DGJ		
		1	3, 7			EX8	DGJ		
10									SCREW
	05126143AA	1	2, 6			EX8	DGJ		
		1	3, 7			EX8	DGJ		
11									PULLEY, Tensioner
	05117691AA	1	2, 6			EX8	DGJ		
		1	3, 7			EX8	DGJ		
12									SCREW
	06104035AA	1	2, 6			EX8	DGJ		
		1	3, 7			EX8	DGJ		
13									BOLT, Hex Head
	05133207AA	1	2, 6			EX8	DGJ		
		1	3, 7			EX8	DGJ		
14		1							SCREW, (NOT SERVICED)
15		1							WASHER, (NOT SERVICED)
16									SCREW
	05125736AA	1	2, 6			EX8	DGJ		
		1	3, 7			EX8	DGJ		

SPRINTER (VA)

SERIES

L = LOWLINE

LINE

3 = HD DODGE 2WD
8 = HD DODGE 4WD
6 = Lt. Duty DODGE 4WD
2 = Med. Duty DODGE 2WD
7 = Med. Duty DODGE 4WD
4 = TRUCK

BODY

12 = Van 140"
51 = Wagon 118"
52 = Wagon 140"
14 = Van 118"
15 = Van 140"
16 = Van 158"
54 = Wagon 118"
55 = Wagon 140"
56 = Wagon 158"
01 = Chassis Forward Control
118"
02 = Chassis Forward Control
140"
06 = Front Section 158"
11 = Van 118"

ENGINE

EX8 = Engine - 2.7L I5
Mercedes-Benz TD

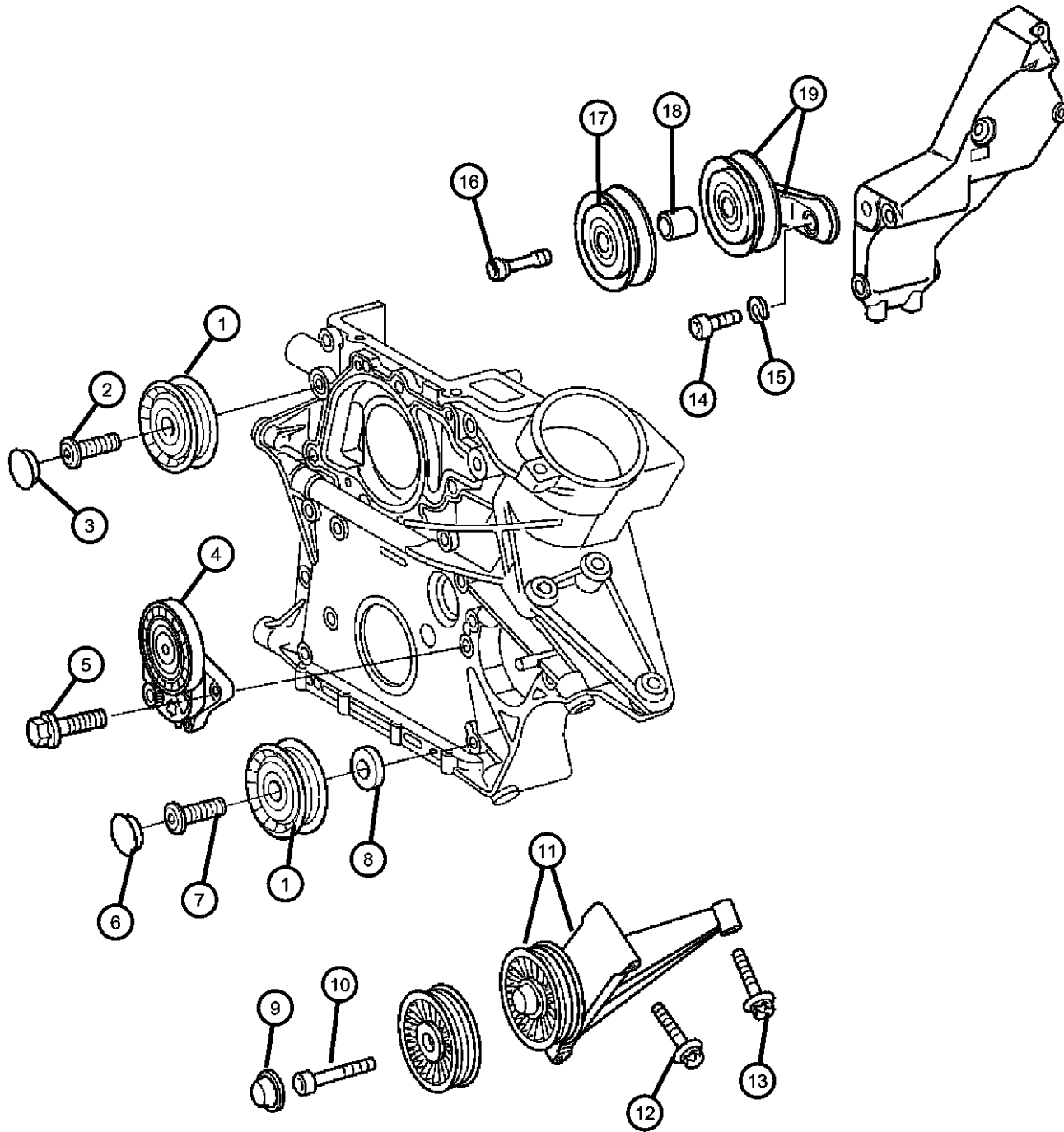
TRANSMISSION

DGJ = Transmission - 5-Spd Auto, MB

AR = use ase required - = Non illustrated part

2005 VA

Drive pulleys
Figure 7-410



ITEM	PART NUMBER	QTY	LINE	SERIES	BODY	ENGINE	TRANS	TRIM	DESCRIPTION
17	05117510AA	1	2, 6			EX8	DGJ		TENSIONER, Belt
		1	3, 7			EX8	DGJ		
18	05117516AA	1	2, 6			EX8	DGJ		BUSHING, Idler Pulley
		1	3, 7			EX8	DGJ		
19	05080243AA	1	2, 3, 6, 7			EX8	DGJ		TENSIONER, Belt

SPRINTER (VA)

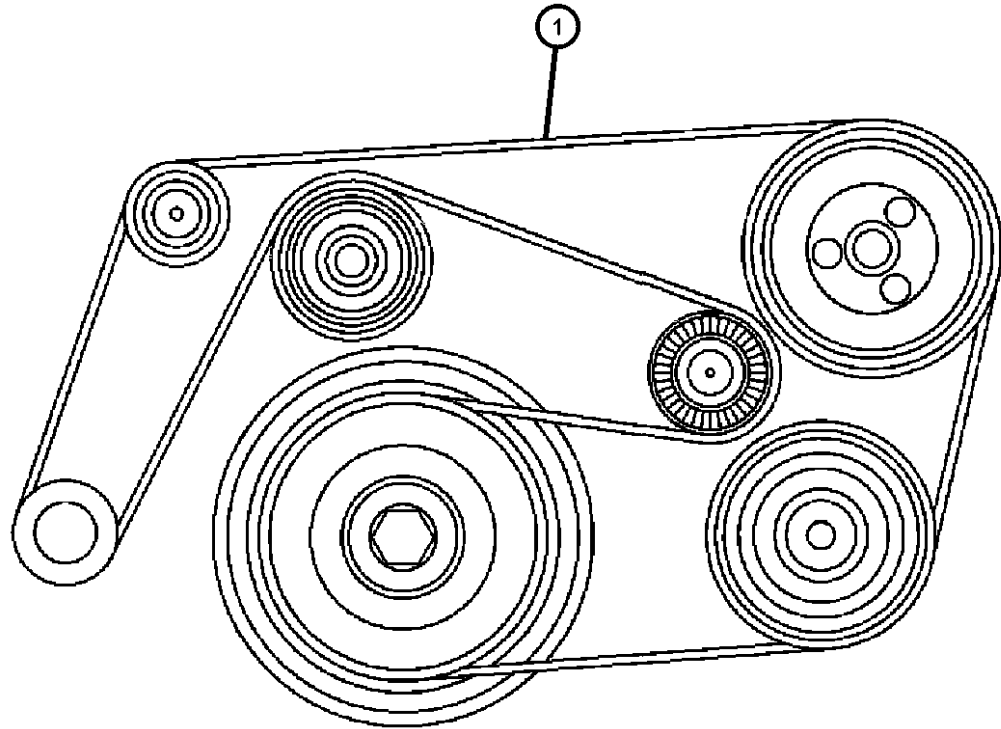
SERIES	LINE	BODY	ENGINE	TRANSMISSION
L = LOWLINE	3 = HD DODGE 2WD 8 = HD DODGE 4WD 6 = Lt. Duty DODGE 4WD 2 = Med. Duty DODGE 2WD 7 = Med. Duty DODGE 4WD 4 = TRUCK	12 = Van 140" 51 = Wagon 118" 52 = Wagon 140" 14 = Van 118" 15 = Van 140" 16 = Van 158" 54 = Wagon 118" 55 = Wagon 140" 56 = Wagon 158"	EX8 = Engine - 2.7L I5 Mercedes-Benz TD	DGJ = Transmission - 5-Spd Auto, MB
		01 = Chassis Forward Control 118" 02 = Chassis Forward Control 140" 06 = Front Section 158" 11 = Van 118"		

AR = use ase required - = Non illustrated part

**Drive Belts
Figure 7-520**

ITEM	PART NUMBER	QTY	LINE	SERIES	BODY	ENGINE	TRANS	TRIM	DESCRIPTION
------	-------------	-----	------	--------	------	--------	-------	------	-------------

NOTE:
Sales Codes:
[DGJ]=5 Speed Automatic [W5A380] Transmission
[EX8]=2.7L I-5 Turbo Diesel Engine
[EX9]=2.7L I-5 Mercedes-Benz Turbo Diesel Engine



1									BELT, Accessory Drive
	05103564AA	1	2, 6			EX8			With Air Conditioning, 21.36X2271
		1	3, 7			EX8			With Air Conditioning, 21.36X2271
	05103565AA	1	2, 6			EX8			Without Air Conditioning, 21.36X2265
		1				EX9			
	05127258AA	1	2, 6			EX8	DGJ		With Air Conditioning, 21.36X2260
		1	3, 7			EX8			Without Air Conditioning, 21.36X2265
		1	3, 7			EX8	DGJ		With Air Conditioning, 21.36X2260
		1	2, 3, 6, 7			EX8	DGJ		21.36X2260
	05132825AA	1	2, 6			EX8	DGJ		
		1	3, 7			EX8	DGJ		
		1	2, 3, 6, 7			EX8	DGJ		
-2									BELT, V-Belt
	05125848AA	1	2, 6			EX8	DGJ		
		1	3, 7			EX8	DGJ		

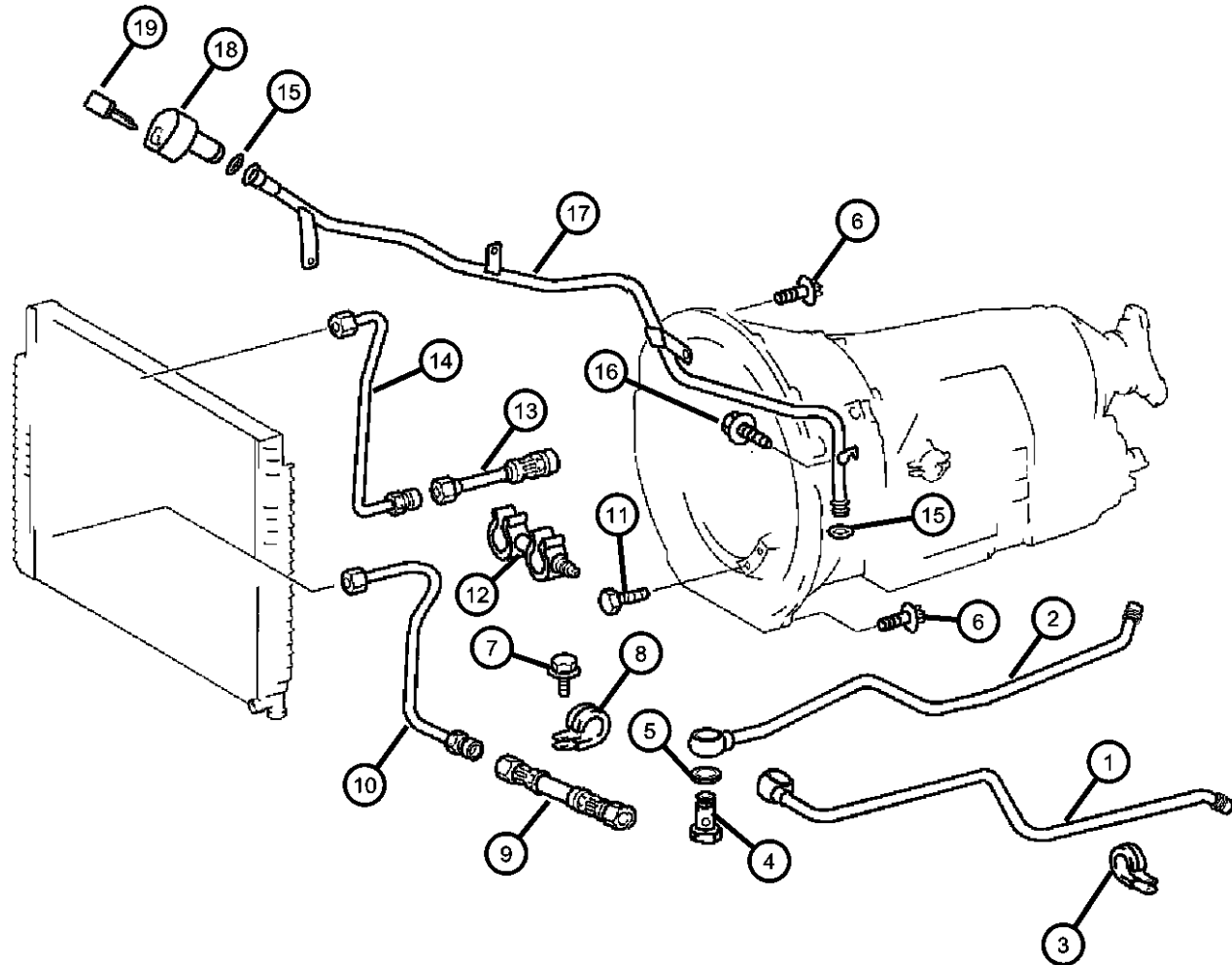
SPRINTER (VA)

SERIES	LINE	BODY	ENGINE	TRANSMISSION
L = LOWLINE	3 = HD DODGE 2WD 8 = HD DODGE 4WD 6 = Lt. Duty DODGE 4WD 2 = Med. Duty DODGE 2WD 7 = Med. Duty DODGE 4WD 4 = TRUCK	12 = Van 140" 51 = Wagon 118" 52 = Wagon 140" 14 = Van 118" 15 = Van 140" 16 = Van 158" 54 = Wagon 118" 55 = Wagon 140" 56 = Wagon 158" 01 = Chassis Forward Control 118" 02 = Chassis Forward Control 140" 06 = Front Section 158" 11 = Van 118"	EX8 = Engine - 2.7L I5 Mercedes-Benz TD	DGJ = Transmission - 5-Spd Auto, MB

AR = use ase required - = Non illustrated part

2005 VA

**Oil Cooler Lines
Figure 7-610**



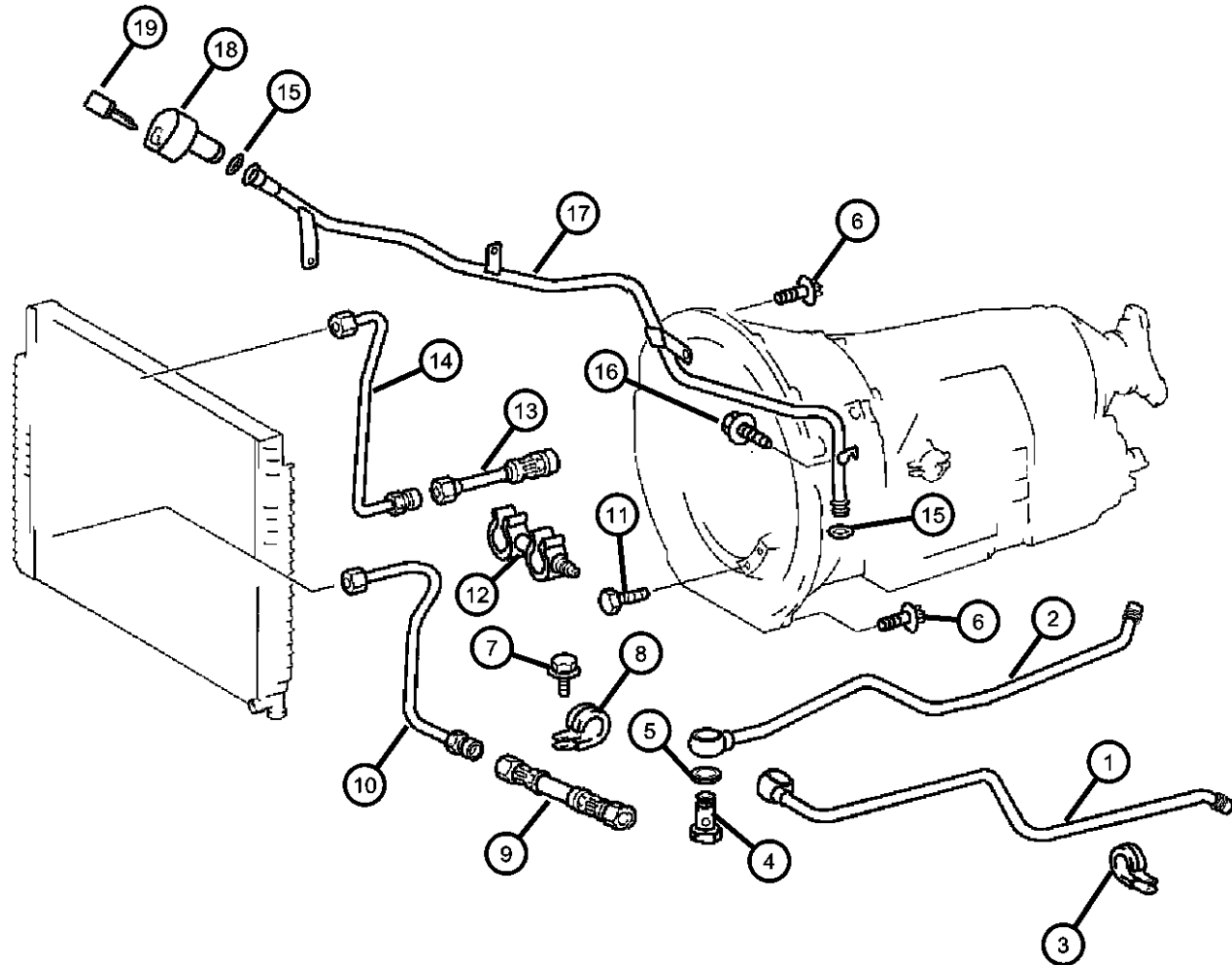
ITEM	PART NUMBER	QTY	LINE	SERIES	BODY	ENGINE	TRANS	TRIM	DESCRIPTION
1	05117855AA	1	2, 6			EX8	DGJ		TUBE, Oil Feed
		1	3, 7			EX8	DGJ		
2	05117857AA	1	2, 6			EX8	DGJ		LINE, Transmission Oil Cooler Pressure
		1	3, 7			EX8	DGJ		
3	05097689AA	1	2, 6			EX8	DGJ		CLAMP, CLAMP
		1	3, 7			EX8	DGJ		
4	06507437AA	2	2, 6			EX8	DGJ		BOLT, Banjo
		2	3, 7			EX8	DGJ		
5	06507454AA	4	2, 6			EX8	DGJ		WASHER, Banjo
		4	3, 7			EX8	DGJ		
6	06104047AA	2	2, 6			EX8	DGJ		SCREW
		2	3, 7			EX8	DGJ		
7	05073824AA	1	2, 6			EX8	DGJ		SCREW
		1	3, 7			EX8	DGJ		
8	05096952AA	1	2, 6			EX8	DGJ		CLAMP, Oil Cooler Line
		1	3, 7			EX8	DGJ		
9	05117856AA	1	2, 6			EX8	DGJ		LINE, Transmission Oil Cooler Pressure
		1	3, 7			EX8	DGJ		
10									LINE, Oil Cooler Supply

SPRINTER (VA)

SERIES	LINE	BODY	ENGINE	TRANSMISSION
L = LOWLINE	3 = HD DODGE 2WD 8 = HD DODGE 4WD 6 = Lt. Duty DODGE 4WD 2 = Med. Duty DODGE 2WD 7 = Med. Duty DODGE 4WD 4 = TRUCK	12 = Van 140" 51 = Wagon 118" 52 = Wagon 140" 14 = Van 118" 15 = Van 140" 16 = Van 158" 54 = Wagon 118" 55 = Wagon 140" 56 = Wagon 158" 01 = Chassis Forward Control 118" 02 = Chassis Forward Control 140" 06 = Front Section 158" 11 = Van 118"	EX8 = Engine - 2.7L I5 Mercedes-Benz TD	DGJ = Transmission - 5-Spd Auto, MB

AR = use ase required - = Non illustrated part

Oil Cooler Lines
Figure 7-610



ITEM	PART NUMBER	QTY	LINE	SERIES	BODY	ENGINE	TRANS	TRIM	DESCRIPTION
	05119991AA	1	2, 6			EX8	DGJ		
		1	3, 7			EX8	DGJ		
11	06507095AA	6	2, 6			EX8	DGJ		SCREW
		6	3, 7			EX8	DGJ		
12	05125878AA	2	2, 6			EX8	DGJ		BRACKET, Transmission Oil Cooler
		2	3, 7			EX8	DGJ		
13	05127830AA	1	3, 7			EX8	DGJ		TUBE AND HOSE, Oil Cooler
		1	2, 6			EX8	DGJ		
14	05119993AA	1	2, 6			EX8	DGJ		LINE, Oil Cooler Return
		1	3, 7			EX8	DGJ		
15	05101154AA	1	2, 6			EX8	DGJ		SEAL, Oil Filler Tube
		1	3, 7			EX8	DGJ		
16	05125738AA	1	2, 6			EX8	DGJ		SCREW
		1	3, 7			EX8	DGJ		
17	05117847AA	1	2, 6			EX8	DGJ		TUBE, Transmission Oil Filler
		1	3, 7			EX8	DGJ		
18	53013549AA	1	2, 6			EX8	DGJ		CAP, Oil Filler
		1	3, 7			EX8	DGJ		
19									PIN

SPRINTER (VA)

SERIES

L = LOWLINE

LINE

3 = HD DODGE 2WD
8 = HD DODGE 4WD
6 = Lt. Duty DODGE 4WD
2 = Med. Duty DODGE 2WD
7 = Med. Duty DODGE 4WD
4 = TRUCK

BODY

12 = Van 140"
51 = Wagon 118"
52 = Wagon 140"
14 = Van 118"
15 = Van 140"
16 = Van 158"
54 = Wagon 118"
55 = Wagon 140"
56 = Wagon 158"
01 = Chassis Forward Control 118"
02 = Chassis Forward Control 140"
06 = Front Section 158"
11 = Van 118"

ENGINE

EX8 = Engine - 2.7L I5 Mercedes-Benz TD

TRANSMISSION

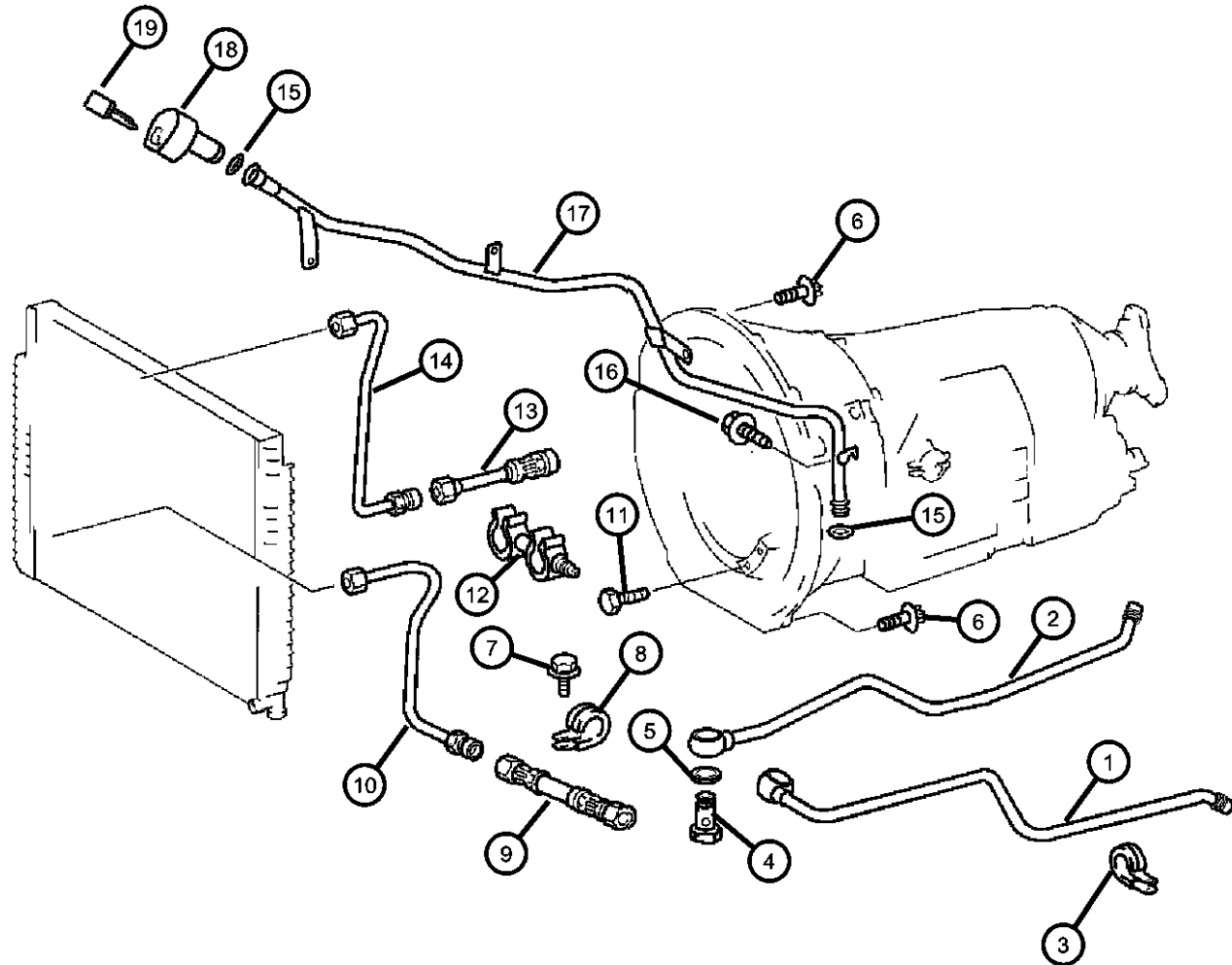
DGJ = Transmission - 5-Spd Auto, MB

AR = use ase required - = Non illustrated part

2005 VA

Oil Cooler Lines
Figure 7-610

ITEM	PART NUMBER	QTY	LINE	SERIES	BODY	ENGINE	TRANS	TRIM	DESCRIPTION
	05093746AA	1	2, 6			EX8	DGJ		
		1	3, 7			EX8	DGJ		

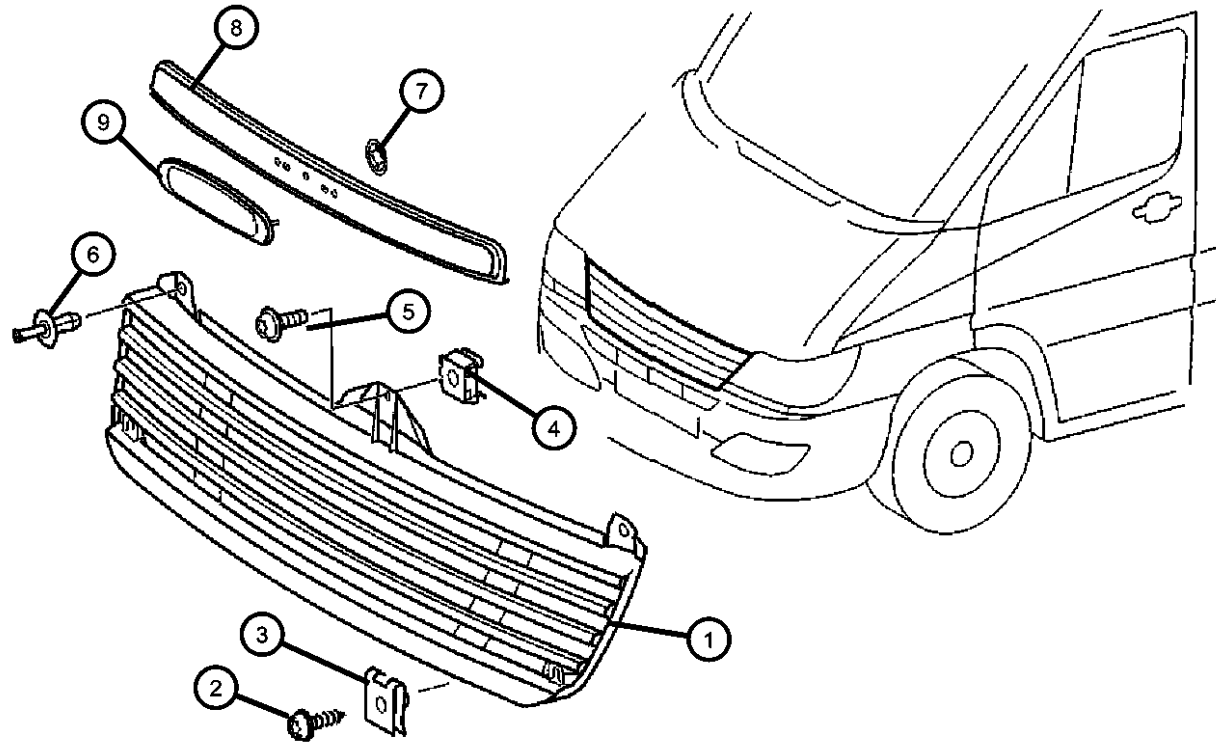


SPRINTER (VA)

SERIES	LINE	BODY	ENGINE	TRANSMISSION
L = LOWLINE	3 = HD DODGE 2WD 8 = HD DODGE 4WD 6 = Lt. Duty DODGE 4WD 2 = Med. Duty DODGE 2WD 7 = Med. Duty DODGE 4WD 4 = TRUCK	12 = Van 140" 51 = Wagon 118" 52 = Wagon 140" 14 = Van 118" 15 = Van 140" 16 = Van 158" 54 = Wagon 118" 55 = Wagon 140" 56 = Wagon 158" 01 = Chassis Forward Control 118" 02 = Chassis Forward Control 140" 06 = Front Section 158" 11 = Van 118"	EX8 = Engine - 2.7L I5 Mercedes-Benz TD	DGJ = Transmission - 5-Spd Auto, MB

AR = use ase required - = Non illustrated part

**Grille And Related Parts
Figure 7-710**



ITEM	PART NUMBER	QTY	LINE	SERIES	BODY	ENGINE	TRANS	TRIM	DESCRIPTION
1	05104507AA	1	6			EX8	DGJ		GRILLE, Radiator [MGQ], Freightliner
		1	7			EX8	DGJ		[MGQ]
	05114373AA	1	2			EX8	DGJ		[MG4], Dodge
		1	3			EX8	DGJ		[MG4], Dodge
2	06104576AA	2	6			EX8	DGJ		SCREW
		4	2			EX8	DGJ		
		2	3			EX8	DGJ		
		2	7			EX8	DGJ		
3	06104736AA	4	3, 7			EX8	DGJ		NUT, Clip-On
		4	2, 6			EX8	DGJ		
4	05126253AA	1	2, 6			EX8	DGJ		NUT
		1	3, 7			EX8	DGJ		
5	06104121AA	1	2, 6			EX8	DGJ		SCREW, Hex Flange Head
		1	3, 7			EX8	DGJ		
6	06104905AA	2	6			EX8	DGJ		PIN, Push
		2	3, 7			EX8	DGJ		
7	05096429AA	2	2, 6			EX8	DGJ		RETAINER, Hood Ornament
		2	3, 7			EX8	DGJ		
8	05104400AA	1	6			EX8	DGJ		MOLDING, Hood
	05114372AA	1	3			EX8	DGJ		

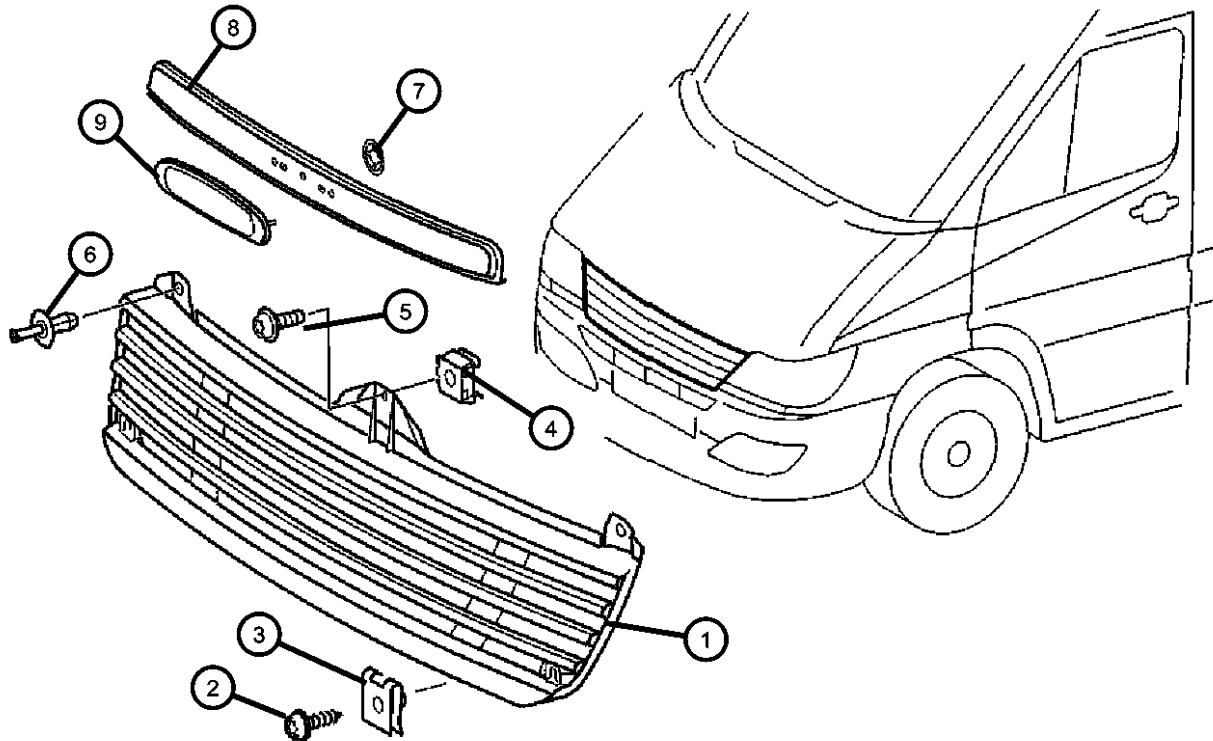
SPRINTER (VA)

SERIES	LINE	BODY	ENGINE	TRANSMISSION
L = LOWLINE	3 = HD DODGE 2WD 8 = HD DODGE 4WD 6 = Lt. Duty DODGE 4WD 2 = Med. Duty DODGE 2WD 7 = Med. Duty DODGE 4WD 4 = TRUCK	12 = Van 140" 51 = Wagon 118" 52 = Wagon 140" 14 = Van 118" 15 = Van 140" 16 = Van 158" 54 = Wagon 118" 55 = Wagon 140" 56 = Wagon 158" 01 = Chassis Forward Control 118" 02 = Chassis Forward Control 140" 06 = Front Section 158" 11 = Van 118"	EX8 = Engine - 2.7L I5 Mercedes-Benz TD	DGJ = Transmission - 5-Spd Auto, MB

AR = use ase required - = Non illustrated part

**Grille And Related Parts
Figure 7-710**

ITEM	PART NUMBER	QTY	LINE	SERIES	BODY	ENGINE	TRANS	TRIM	DESCRIPTION
		1	7			EX8	DGJ		
		1	2			EX8	DGJ		
9									NAMEPLATE, Hood
	05104449AA	1	6			EX8	DGJ		
		1	7			EX8	DGJ		



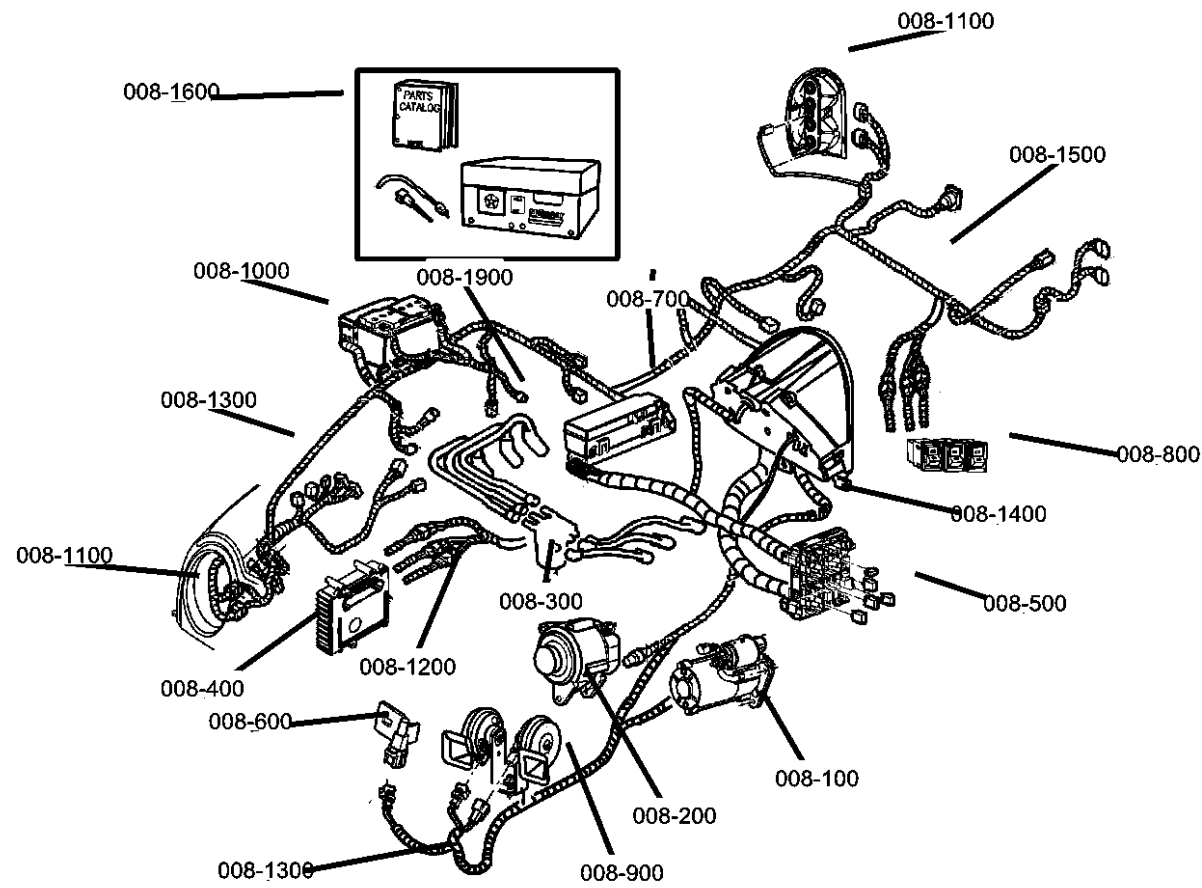
SPRINTER (VA)

SERIES	LINE	BODY	ENGINE	TRANSMISSION
L = LOWLINE	3 = HD DODGE 2WD 8 = HD DODGE 4WD 6 = Lt. Duty DODGE 4WD 2 = Med. Duty DODGE 2WD 7 = Med. Duty DODGE 4WD 4 = TRUCK	12 = Van 140" 51 = Wagon 118" 52 = Wagon 140" 14 = Van 118" 15 = Van 140" 16 = Van 158" 54 = Wagon 118" 55 = Wagon 140" 56 = Wagon 158" 01 = Chassis Forward Control 118" 02 = Chassis Forward Control 140" 06 = Front Section 158" 11 = Van 118"	EX8 = Engine - 2.7L I5 Mercedes-Benz TD	DGJ = Transmission - 5-Spd Auto, MB

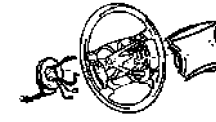
AR = use ase required - = Non illustrated part

Group - 8

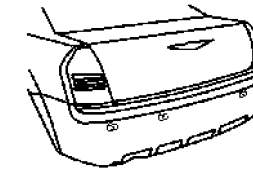
Electrical



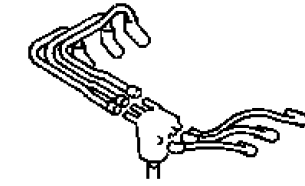
008-1700
Air Bag Systems



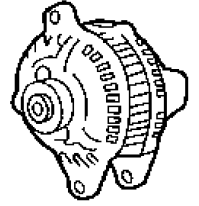
008-1800
Park Assist



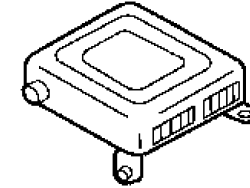
008-1900
Spark Plugs-Cables-Coils



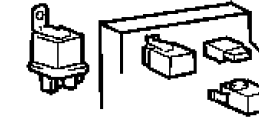
008-200
Alternators



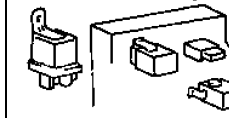
008-400
Modules



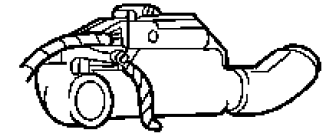
008-500
Relays



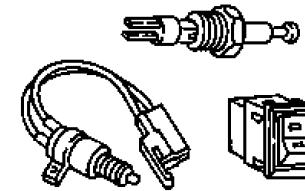
008-600
Sensors



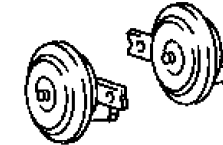
008-700
Single Board Engine Controllers



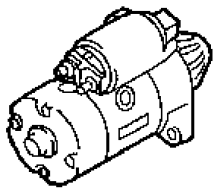
008-800
Switches



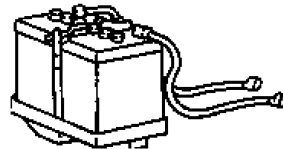
008-900
Horns



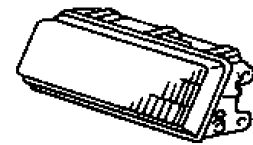
008-100
Starters



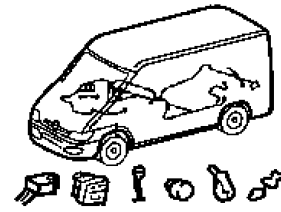
008-1000
Battery Tray and Cables



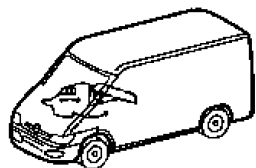
008-1100
Lamps - Front, Rear and Courtesy



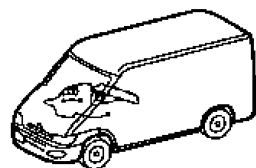
008-1200
Wiring-Engine & Related Parts



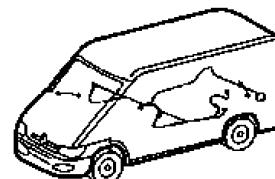
008-1300
Wiring-Headlamp to Dash



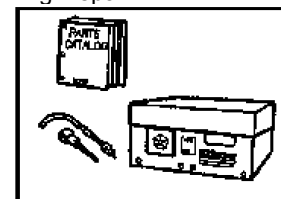
008-1400
Wiring-Instrument Panel



008-1500
Wiring-Body & Accessories



008-1600
Wiring Repair



Group - 8 Electrical

Illustration Title

Group-Fig. No.

Starters	
Starters & Mounting	Fig. 8 - 105

Alternators	
Alternators (Generator)	Fig. 8 - 205

Modules	
Modules Seating Area	Fig. 8 - 405
Modules and Related Parts	Fig. 8 - 410

Relays	
Under Seat - Relays & Fuses	Fig. 8 - 505
Instrument Panel - Relays & Fuses	Fig. 8 - 510

Sensors	
Sensors Engine	Fig. 8 - 605
Sensors - Drivetrain	Fig. 8 - 610
Sensors - Brakes	Fig. 8 - 615
Sensors Ambient Temperature and Rain	Fig. 8 - 620

Single Board Engine Controllers	
Powertrain Control	Fig. 8 - 715

Switches	
Switches - Instrument Panel	Fig. 8 - 805
Switches -Steering Column	Fig. 8 - 810
Switches - Doors	Fig. 8 - 815
Switch Brake and Clutch	Fig. 8 - 820

Horns	
Horns & Alarm	Fig. 8 - 905

Battery Tray and Cables	
Battery Tray & Cables	Fig. 8 - 1005

Lamps - Front, Rear and Courtesy	
Lamps - Front End	Fig. 8 - 1105
Lamps - Rear End	Fig. 8 - 1110
Lamps Rear End Cab and Chassis Vehicles	Fig. 8 - 1115
Lamps Interior Passenger Van	Fig. 8 - 1120
Lamps Interior Cargo Van	Fig. 8 - 1125
Lamp - Bulbs	Fig. 8 - 1130

Wiring-Engine & Related Parts	
Wiring - Engine	Fig. 8 - 1205

Wiring-Headlamp to Dash	
Wiring - Headlamp & Dash	Fig. 8 - 1305

Wiring-Instrument Panel	
Wiring - Instrument Panel	Fig. 8 - 1405

Wiring-Body & Accessories	
Wiring - Body & Accessories	Fig. 8 - 1505

Wiring Repair	
Connectors Engine Compartment	Fig. 8 - 1605
Connectors Body	Fig. 8 - 1610
Connectors Roof	Fig. 8 - 1615
Connectors Front Doors	Fig. 8 - 1620
Connectors Rear Doors	Fig. 8 - 1625
Connectors Seating Area	Fig. 8 - 1630

Air Bag Systems

Air Bag System Drivers Side	Fig. 8 - 1705
Air Bag System Passenger Side	Fig. 8 - 1710

Park Assist

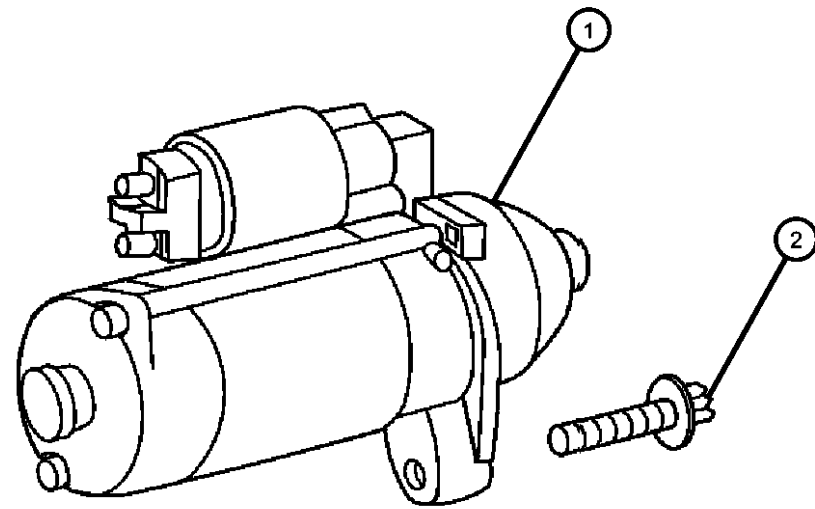
Park Assist, Back up Detection System	Fig. 8 - 1805
---	---------------

Spark Plugs-Cables-Coils

Glow Plugs	Fig. 8 - 1910
------------------	---------------

**Starters & Mounting
Figure 8-105**

ITEM	PART NUMBER	QTY	LINE	SERIES	BODY	ENGINE	TRANS	TRIM	DESCRIPTION
1									STARTER, Engine
	05134510AA	1	2, 6	L	01, 02, 06	EX8	DGJ		
		1	2, 6	L	11, 12, 14, 15, 16	EX8	DGJ		
		1	2, 6	L	51, 52, 54, 55, 56	EX8	DGJ		
		1	3, 7	L	02, 06	EX8	DGJ		
		1	3, 7	L	12, 15, 16	EX8	DGJ		
2									SCREW, Starter Motor
	06104053AA	2	2, 6	L	01, 02, 06	EX8	DGJ		
		2	2, 6	L	11, 12, 14, 15, 16	EX8	DGJ		
		2	2, 6	L	51, 52, 54, 55, 56	EX8	DGJ		
		2	3, 7	L	02, 06	EX8	DGJ		
		2	3, 7	L	12, 15, 16	EX8	DGJ		

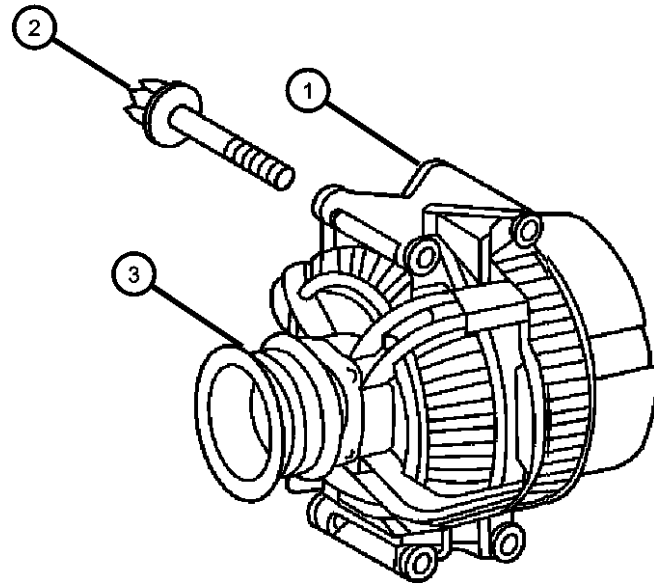


SPRINTER (VA)

SERIES	LINE	BODY	ENGINE	TRANSMISSION
L = LOWLINE	3 = HD DODGE 2WD 8 = HD DODGE 4WD 6 = Lt. Duty DODGE 4WD 2 = Med. Duty DODGE 2WD 7 = Med. Duty DODGE 4WD 4 = TRUCK	12 = Van 140" 51 = Wagon 118" 52 = Wagon 140" 14 = Van 118" 15 = Van 140" 16 = Van 158" 54 = Wagon 118" 55 = Wagon 140" 56 = Wagon 158" 01 = Chassis Forward Control 118" 02 = Chassis Forward Control 140" 06 = Front Section 158" 11 = Van 118"	EX8 = Engine - 2.7L I5 Mercedes-Benz TD	DGJ = Transmission - 5-Spd Auto, MB

AR = use ase required - = Non illustrated part

**Alternators (Generator)
Figure 8-205**



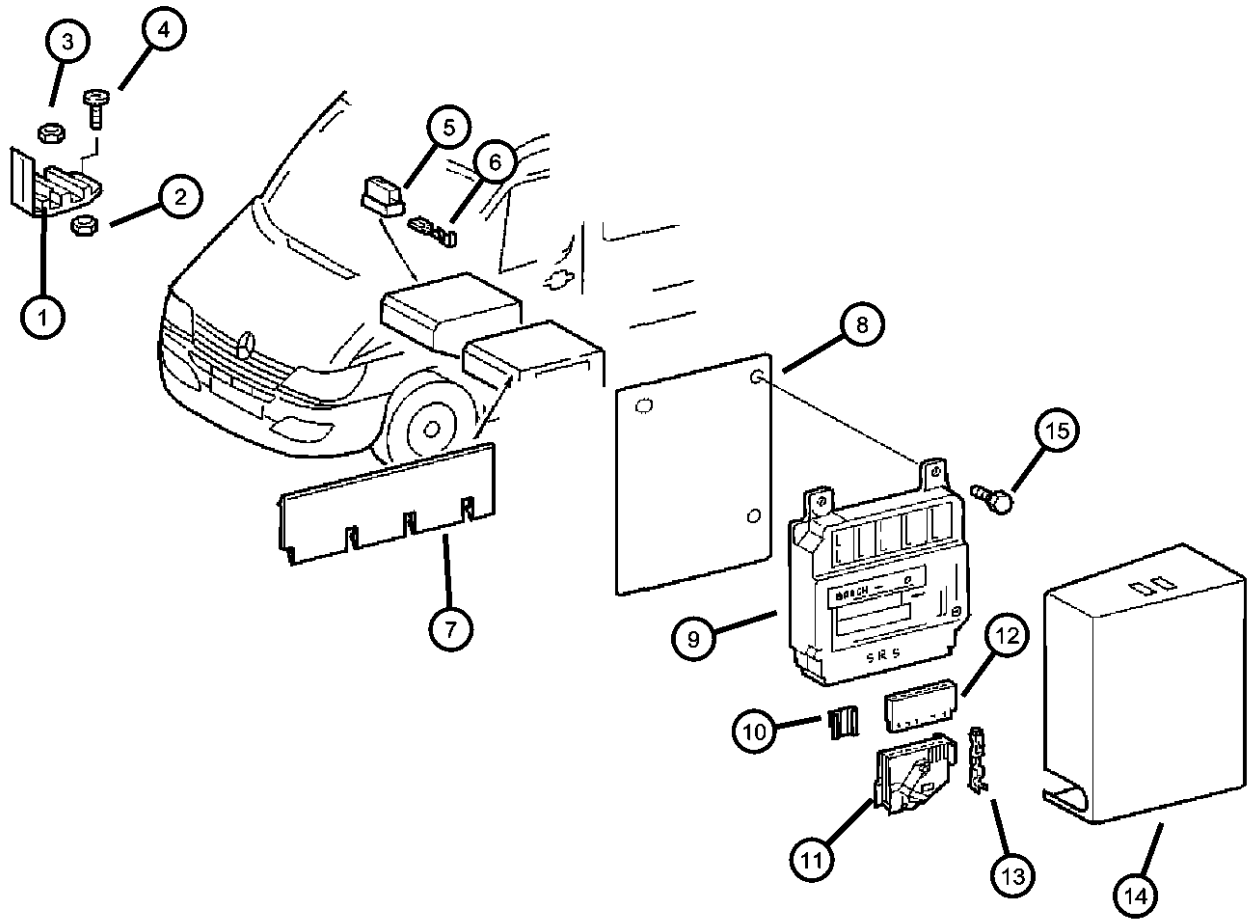
ITEM	PART NUMBER	QTY	LINE	SERIES	BODY	ENGINE	TRANS	TRIM	DESCRIPTION
1									ALTERNATOR
	05134205AA	1	2, 6	L	54, 55, 56, 51, 52	EX8, EX9			150 AMP
		1	3, 7	L	02, 06	EX8, EX9			150 AMP
		1	3, 7	L	12, 15, 16	EX8, EX9			150 AMP
	05117587AA	1	2, 6	L	01, 02, 06	EX8	DGJ		200 AMP
		1	2, 6	L	11, 12, 14, 15, 16	EX8	DGJ		200 AMP
		1	2, 6	L	51, 52, 54, 55, 56	EX8	DGJ		200 AMP
		1	3, 7	L	02, 06	EX8	DGJ		200 AMP
		1	3, 7	L	12, 15, 16	EX8	DGJ		200 AMP
	05134199AA	1	2, 3, 6, 7	L		EX8	DGJ		90 AMP
		1	2, 6	L	01, 02, 06	EX8, EX9			150 AMP
		1	2, 6	L	11, 12, 14, 15, 16	EX8, EX9			150 AMP
2									SCREW
	06104035AA	2	2, 6	L	51, 52, 54, 55, 56	EX8	DGJ		
		2	2, 6	L	01, 02, 06	EX8	DGJ		
		2	2, 6	L	11, 12, 14, 15, 16	EX8	DGJ		
		1	3, 7	L	02, 06	EX8	DGJ		
		2	3, 7	L	12, 15, 16	EX8	DGJ		
3	05117591AA	1	2, 3, 6, 7	L		EX8	DGJ		PULLEY, Alternator
-4									REGULATOR, Alternator
	05135837AA	1	2, 6	L	02, 06, 01	EX8	DGJ		
		1	2, 6	L	11, 12, 14, 15, 16	EX8	DGJ		
		1	2, 6	L	51, 52, 54, 55, 56	EX8	DGJ		
		1	3, 7	L	02, 06	EX8	DGJ		
		1	3, 7	L	12, 15, 16	EX8	DGJ		

SPRINTER (VA)

SERIES	LINE	BODY	ENGINE	TRANSMISSION
L = LOWLINE	3 = HD DODGE 2WD 8 = HD DODGE 4WD 6 = Lt. Duty DODGE 4WD 2 = Med. Duty DODGE 2WD 7 = Med. Duty DODGE 4WD 4 = TRUCK	12 = Van 140" 51 = Wagon 118" 52 = Wagon 140" 14 = Van 118" 15 = Van 140" 16 = Van 158" 54 = Wagon 118" 55 = Wagon 140" 56 = Wagon 158" 01 = Chassis Forward Control 118" 02 = Chassis Forward Control 140" 06 = Front Section 158" 11 = Van 118"	EX8 = Engine - 2.7L I5 Mercedes-Benz TD	DGJ = Transmission - 5-Spd Auto, MB

AR = use ase required - = Non illustrated part

Modules Seating Area
Figure 8-405



ITEM	PART NUMBER	QTY	LINE	SERIES	BODY	ENGINE	TRANS	TRIM	DESCRIPTION
1	05120249AA	1	2, 6	L	01, 02, 06	EX8	DGJ		RETAINER, Wiring Harness
		1	2, 6	L	11, 12, 14, 15, 16	EX8	DGJ		
		1	2, 6	L	51, 52, 54, 55, 56	EX8	DGJ		
		1	3, 7	L	02, 06	EX8	DGJ		
		1	3, 7	L	12, 15, 16	EX8	DGJ		
2	05126203AA	2	2, 6	L	01, 02, 06	EX8	DGJ		NUT
		2	2, 6	L	11, 12, 14, 15, 16	EX8	DGJ		
		2	2, 6	L	51, 52, 54, 55, 56	EX8	DGJ		
		2	3, 7	L	02, 06	EX8	DGJ		
		2	3, 7	L	12, 15, 16	EX8	DGJ		
3	05126203AA	1	2, 6	L	01, 02, 06	EX8	DGJ		NUT
		1	2, 6	L	11, 12, 14, 15, 16	EX8	DGJ		
		1	2, 6	L	51, 52, 54, 55, 56	EX8	DGJ		
		1	3, 7	L	02, 06	EX8	DGJ		
4	05126100AA	2	2, 6	L	01, 02, 06	EX8	DGJ		BOLT, Hex Head
		2	2, 6	L	11, 12, 14, 15, 16	EX8	DGJ		
		2	2, 6	L	51, 52, 54, 55, 56	EX8	DGJ		
		2	3, 7	L	02, 06	EX8	DGJ		
		2	3, 7	L	12, 15, 16	EX8	DGJ		
5	05103754AA	1	2, 6	L	01, 02, 06	EX8	DGJ		INSULATOR, 2 Way Female

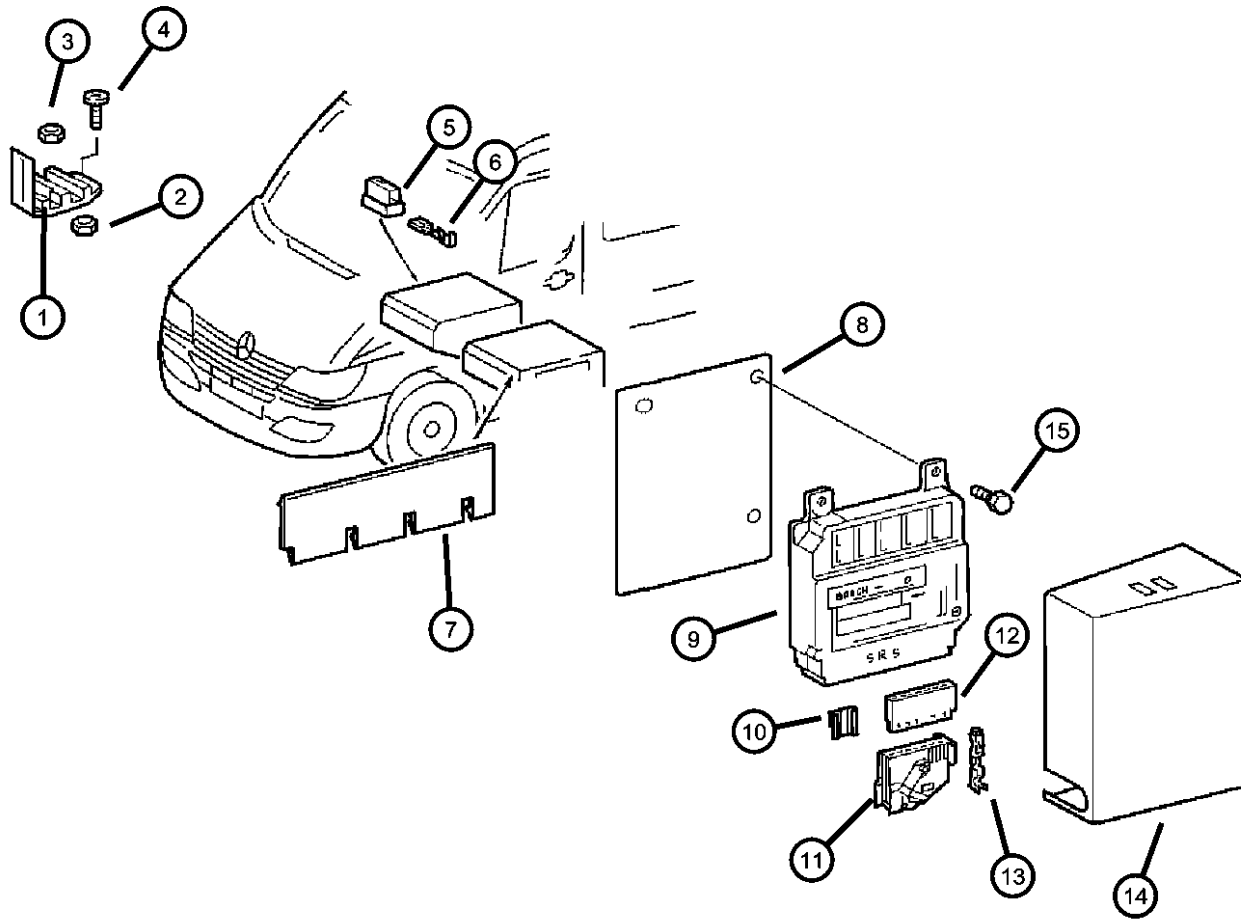
SPRINTER (VA)

SERIES	LINE	BODY	ENGINE	TRANSMISSION
L = LOWLINE	3 = HD DODGE 2WD 8 = HD DODGE 4WD 6 = Lt. Duty DODGE 4WD 2 = Med. Duty DODGE 2WD 7 = Med. Duty DODGE 4WD 4 = TRUCK	12 = Van 140" 51 = Wagon 118" 52 = Wagon 140" 14 = Van 118" 15 = Van 140" 16 = Van 158" 54 = Wagon 118" 55 = Wagon 140" 56 = Wagon 158" 01 = Chassis Forward Control 118" 02 = Chassis Forward Control 140" 06 = Front Section 158" 11 = Van 118"	EX8 = Engine - 2.7L I5 Mercedes-Benz TD	DGJ = Transmission - 5-Spd Auto, MB

AR = use ase required - = Non illustrated part

2005 VA

Modules Seating Area
Figure 8-405



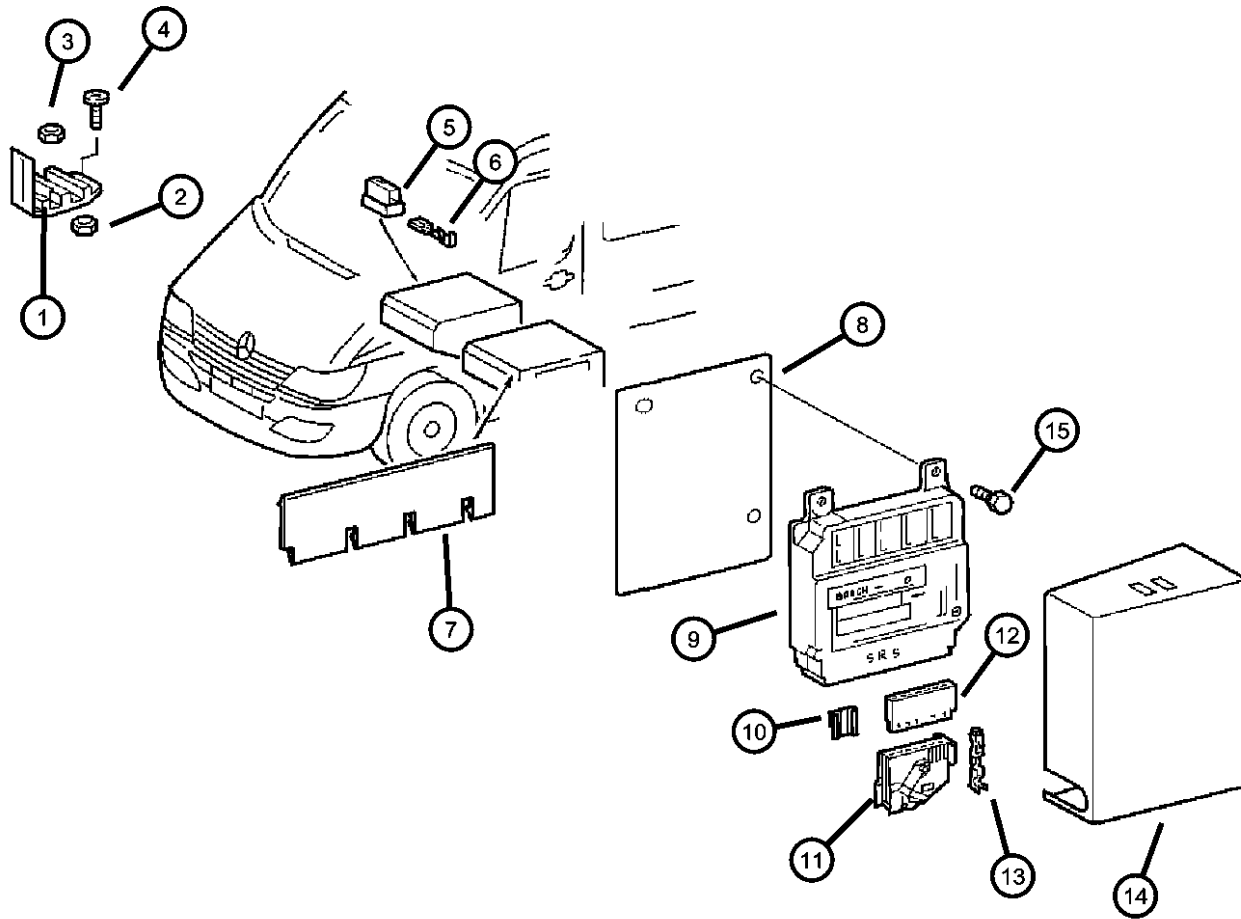
ITEM	PART NUMBER	QTY	LINE	SERIES	BODY	ENGINE	TRANS	TRIM	DESCRIPTION
		1	2, 6	L	11, 12, 14, 15, 16	EX8	DGJ		
		1	2, 6	L	51, 52, 54, 55, 56	EX8	DGJ		
		2	3, 7	L	02, 06	EX8	DGJ		
		2	3, 7	L	12, 15, 16	EX8	DGJ		
6	05133395AA	99	2, 6	L	01, 02, 06	EX8	DGJ		TERMINAL, Female
		99	2, 6	L	11, 12, 14, 15, 16	EX8	DGJ		
		99	2, 6	L	51, 52, 54, 55, 56	EX8	DGJ		
		99	3, 7	L	02, 06	EX8	DGJ		
		99	3, 7	L	12, 15, 16	EX8	DGJ		
7	05123542AA	2	2, 6	L	11, 12, 14, 15, 16	EX8	DGJ		PANEL, Seat Base
		2	2, 6	L	12, 15	EX8	DGJ		
		2	2, 6	L	51, 52, 54, 55, 56	EX8	DGJ		
		2	2, 6	L	52, 55	EX8	DGJ		
8	05120891AA	1	2, 6	L	01, 02, 06	EX8	DGJ		PLATE, Air Bag Module
		1	2, 6	L	11, 12, 14, 15, 16	EX8	DGJ		
		1	2, 6	L	51, 52, 54, 55, 56	EX8	DGJ		
		1	3, 7	L	02, 06	EX8	DGJ		
		1	3, 7	L	12, 15, 16	EX8	DGJ		
9	05119435AA	1	2, 6	L	01, 02, 06	EX8	DGJ		MODULE, Air Bag Control
		1	2, 6	L	11, 12, 14, 15, 16	EX8	DGJ		

SPRINTER (VA)

SERIES	LINE	BODY	ENGINE	TRANSMISSION
L = LOWLINE	3 = HD DODGE 2WD	12 = Van 140"	EX8 = Engine - 2.7L I5	DGJ = Transmission - 5-Spd Auto, MB
	8 = HD DODGE 4WD	51 = Wagon 118"	Mercedes-Benz TD	
	6 = Lt. Duty DODGE 4WD	52 = Wagon 140"		
	2 = Med. Duty DODGE 2WD	14 = Van 118"		
	7 = Med. Duty DODGE 4WD	15 = Van 140"		
	4 = TRUCK	16 = Van 158"		
		54 = Wagon 118"		
		55 = Wagon 140"		
		56 = Wagon 158"		
		01 = Chassis Forward Control 118"		
		02 = Chassis Forward Control 140"		
		06 = Front Section 158"		
		11 = Van 118"		

AR = use ase required - = Non illustrated part

Modules Seating Area
Figure 8-405



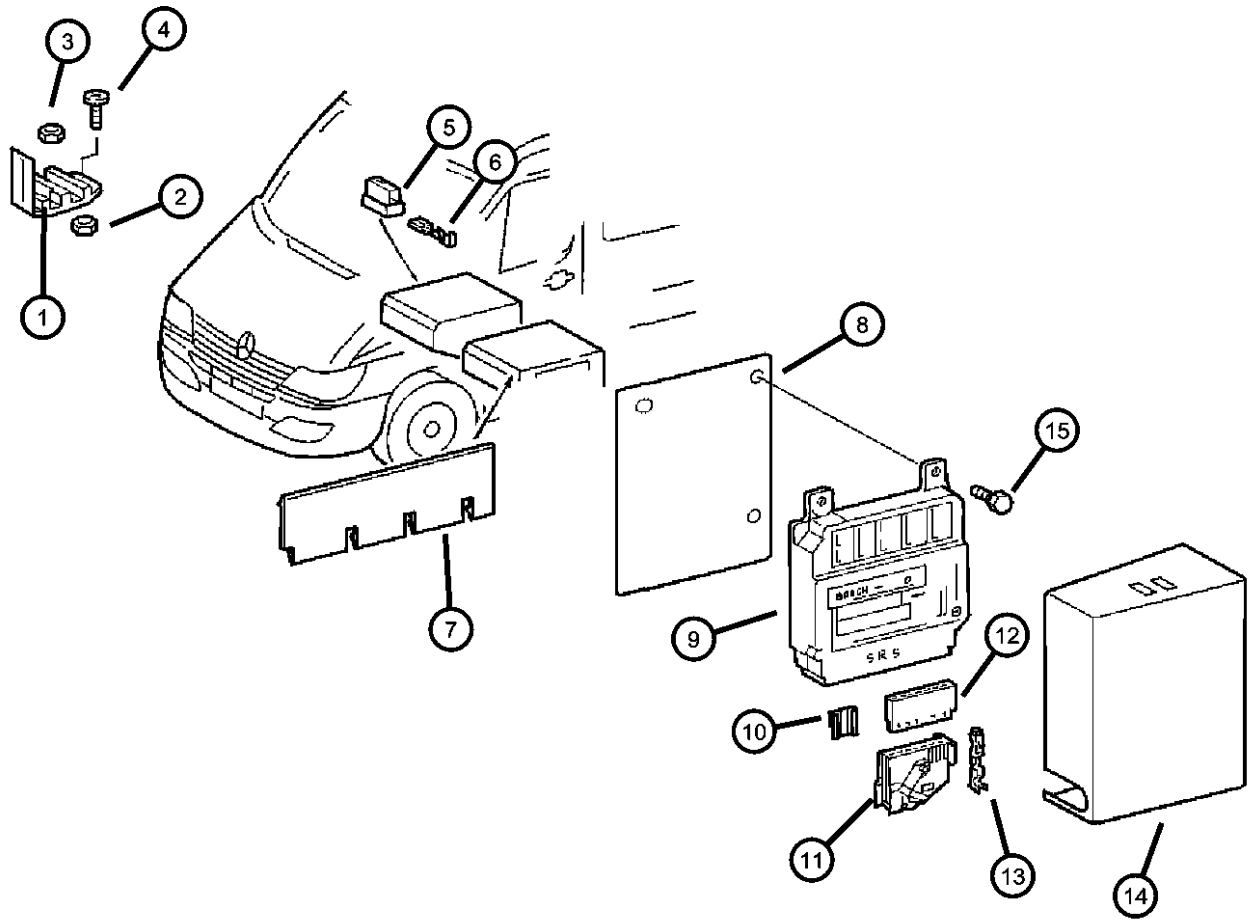
ITEM	PART NUMBER	QTY	LINE	SERIES	BODY	ENGINE	TRANS	TRIM	DESCRIPTION
		1	2, 6	L	51, 52, 54, 55, 56	EX8	DGJ		
		1	3, 7	L	02, 06	EX8	DGJ		
		1	3, 7	L	12, 15, 16	EX8	DGJ		
10									COVER, Insulator, Wiring Protection
	05120412AA	1	2, 6	L	01, 02, 06	EX8	DGJ		
		1	2, 6	L	11, 12, 14, 15, 16	EX8	DGJ		
		1	2, 6	L	51, 52, 54, 55, 56	EX8	DGJ		
		1	3, 7	L	02, 06	EX8	DGJ		
		1	3, 7	L	12, 15, 16	EX8	DGJ		
11									CONNECTOR, Wiring
	05120799AA	1	2, 6	L	01, 02, 06	EX8	DGJ		
		1	2, 6	L	11, 12, 14, 15, 16	EX8	DGJ		
		1	2, 6	L	51, 52, 54, 55, 56	EX8	DGJ		
		1	3, 7	L	02, 06	EX8	DGJ		
		1	3, 7	L	12, 15, 16	EX8	DGJ		
12									CONNECTOR
	05120834AA	1	2, 6	L	11, 12, 14, 15, 16	EX8	DGJ		
		1	2, 6	L	51, 52, 54, 55, 56	EX8	DGJ		
		1	3, 7	L	02, 06	EX8	DGJ		
		1	3, 7	L	12, 15, 16	EX8	DGJ		
13									TERMINAL
	05120549AA	1	2, 6	L	01, 02, 06	EX8	DGJ		
		1	2, 6	L	11, 12, 14, 15, 16	EX8	DGJ		

SPRINTER (VA)

SERIES	LINE	BODY	ENGINE	TRANSMISSION
L = LOWLINE	3 = HD DODGE 2WD	12 = Van 140"	EX8 = Engine - 2.7L I5	DGJ = Transmission - 5-Spd Auto, MB
	8 = HD DODGE 4WD	51 = Wagon 118"	Mercedes-Benz TD	
	6 = Lt. Duty DODGE 4WD	52 = Wagon 140"		
	2 = Med. Duty DODGE 2WD	14 = Van 118"		
	7 = Med. Duty DODGE 4WD	15 = Van 140"		
	4 = TRUCK	16 = Van 158"		
		54 = Wagon 118"		
		55 = Wagon 140"		
		56 = Wagon 158"		
		01 = Chassis Forward Control 118"		
		02 = Chassis Forward Control 140"		
		06 = Front Section 158"		
		11 = Van 118"		

AR = use ase required - = Non illustrated part

Modules Seating Area
Figure 8-405



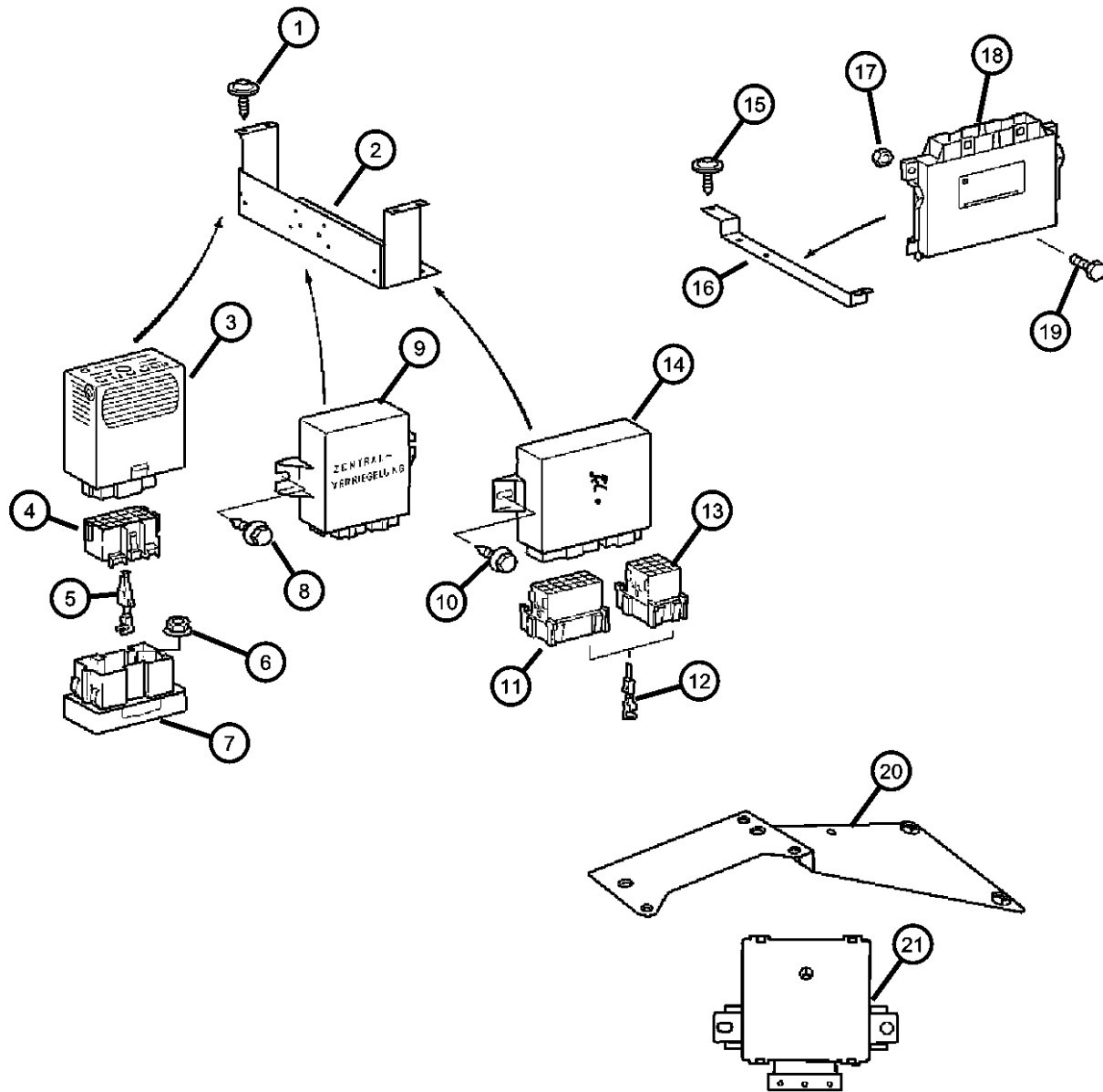
ITEM	PART NUMBER	QTY	LINE	SERIES	BODY	ENGINE	TRANS	TRIM	DESCRIPTION
		1	2, 6	L	51, 52, 54, 55, 56	EX8	DGJ		
		1	3, 7	L	02, 06	EX8	DGJ		
		1	3, 7	L	12, 15, 16	EX8	DGJ		
14									COVER, Air Bag Module
	05104148AA	1	2, 6	L	01, 02, 06	EX8	DGJ		
		1	2, 6	L	11, 12, 14, 15, 16	EX8	DGJ		
		1	2, 6	L	51, 52, 54, 55, 56	EX8	DGJ		
		1	3, 7	L	02, 06	EX8	DGJ		
		1	3, 7	L	12, 15, 16	EX8	DGJ		
15									SCREW
	06104005AA	2	2, 6	L	01, 02, 06	EX8	DGJ		
		2	2, 6	L	11, 12, 14, 15, 16	EX8	DGJ		
		2	2, 6	L	51, 52, 54, 55, 56	EX8	DGJ		
		2	3, 7	L	02, 06	EX8	DGJ		
		2	3, 7	L	12, 15, 16	EX8	DGJ		

SPRINTER (VA)

SERIES	LINE	BODY	ENGINE	TRANSMISSION
L = LOWLINE	3 = HD DODGE 2WD 8 = HD DODGE 4WD 6 = Lt. Duty DODGE 4WD 2 = Med. Duty DODGE 2WD 7 = Med. Duty DODGE 4WD 4 = TRUCK	12 = Van 140" 51 = Wagon 118" 52 = Wagon 140" 14 = Van 118" 15 = Van 140" 16 = Van 158" 54 = Wagon 118" 55 = Wagon 140" 56 = Wagon 158" 01 = Chassis Forward Control 118" 02 = Chassis Forward Control 140" 06 = Front Section 158" 11 = Van 118"	EX8 = Engine - 2.7L I5 Mercedes-Benz TD	DGJ = Transmission - 5-Spd Auto, MB

AR = use ase required - = Non illustrated part

Modules and Related Parts
Figure 8-410

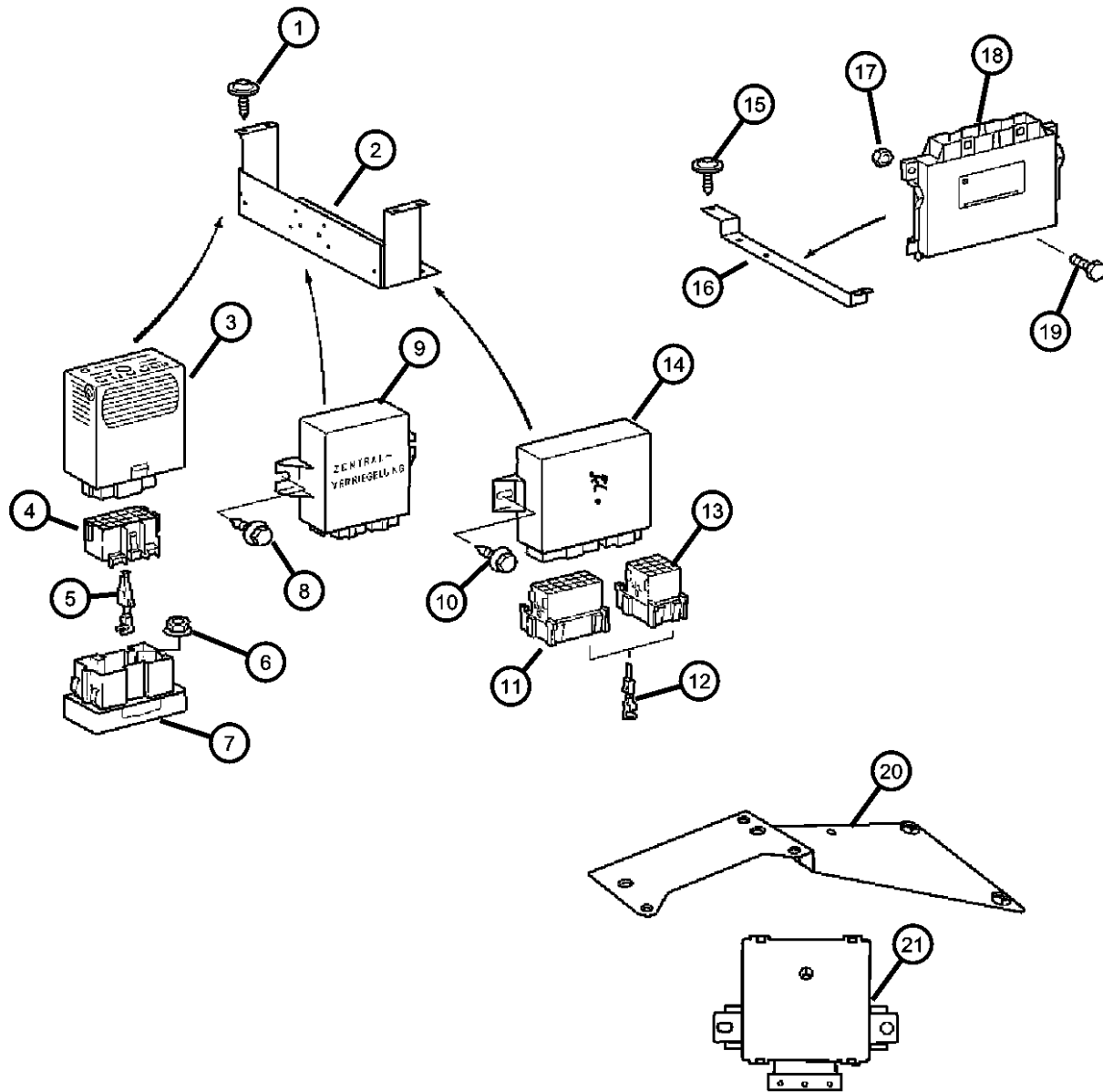


ITEM	PART NUMBER	QTY	LINE	SERIES	BODY	ENGINE	TRANS	TRIM	DESCRIPTION
1	06104573AA	4	2, 6	L	01, 02, 06	EX8	DGJ		SCREW, Tapping
		4	2, 6	L	11, 12, 14, 15, 16	EX8	DGJ		
		4	2, 6	L	51, 52, 54, 55, 56	EX8	DGJ		
		4	3, 7	L	02, 06	EX8	DGJ		
		4	3, 7	L	12, 15, 16	EX8	DGJ		
2	05120844AA	1	2, 6	L	01, 02, 06	EX8	DGJ		BRACKET, Fuse Block
		1	2, 6	L	51, 52, 54, 55, 56	EX8	DGJ		
		1	2, 6	L	11, 12, 14, 15, 16	EX8	DGJ		
		1	3, 7	L	02, 06	EX8	DGJ		
		1	3, 7	L	12, 15, 16	EX8	DGJ		
3	05139996AA	1	3, 7	L	12, 15, 16	EX8	DGJ		FLASHER MODULE, FLASHER MODULE-TURN SIGNAL
		1	2, 6	L	01, 02, 06	EX8	DGJ		
		1	2, 6	L	11, 12, 14, 15, 16	EX8	DGJ		
		1	2, 6	L	51, 52, 54, 55, 56	EX8	DGJ		
		1	3, 7	L	02, 06	EX8	DGJ		
4	05133333AA	1	2, 6	L	01, 02, 06	EX8	DGJ		CONNECTOR
		1	2, 6	L	11, 12, 14, 15, 16	EX8	DGJ		
		1	2, 6	L	51, 52, 54, 55, 56	EX8	DGJ		
		1	3, 7	L	02, 06	EX8	DGJ		
		1	3, 7	L	12, 15, 16	EX8	DGJ		
5									TERMINAL

SPRINTER (VA)
 SERIES LINE BODY ENGINE TRANSMISSION
 L = LOWLINE 3 = HD DODGE 2WD 12 = Van 140" EX8 = Engine - 2.7L I5 DGJ = Transmission - 5-Spd Auto, MB
 8 = HD DODGE 4WD 51 = Wagon 118" Mercedes-Benz TD
 6 = Lt. Duty DODGE 4WD 52 = Wagon 140"
 2 = Med. Duty DODGE 2WD 14 = Van 118"
 7 = Med. Duty DODGE 4WD 15 = Van 140"
 4 = TRUCK 16 = Van 158"
 54 = Wagon 118"
 55 = Wagon 140"
 56 = Wagon 158"
 01 = Chassis Forward Control 118"
 02 = Chassis Forward Control 140"
 06 = Front Section 158"
 11 = Van 118"

AR = use ase required - = Non illustrated part

Modules and Related Parts
Figure 8-410



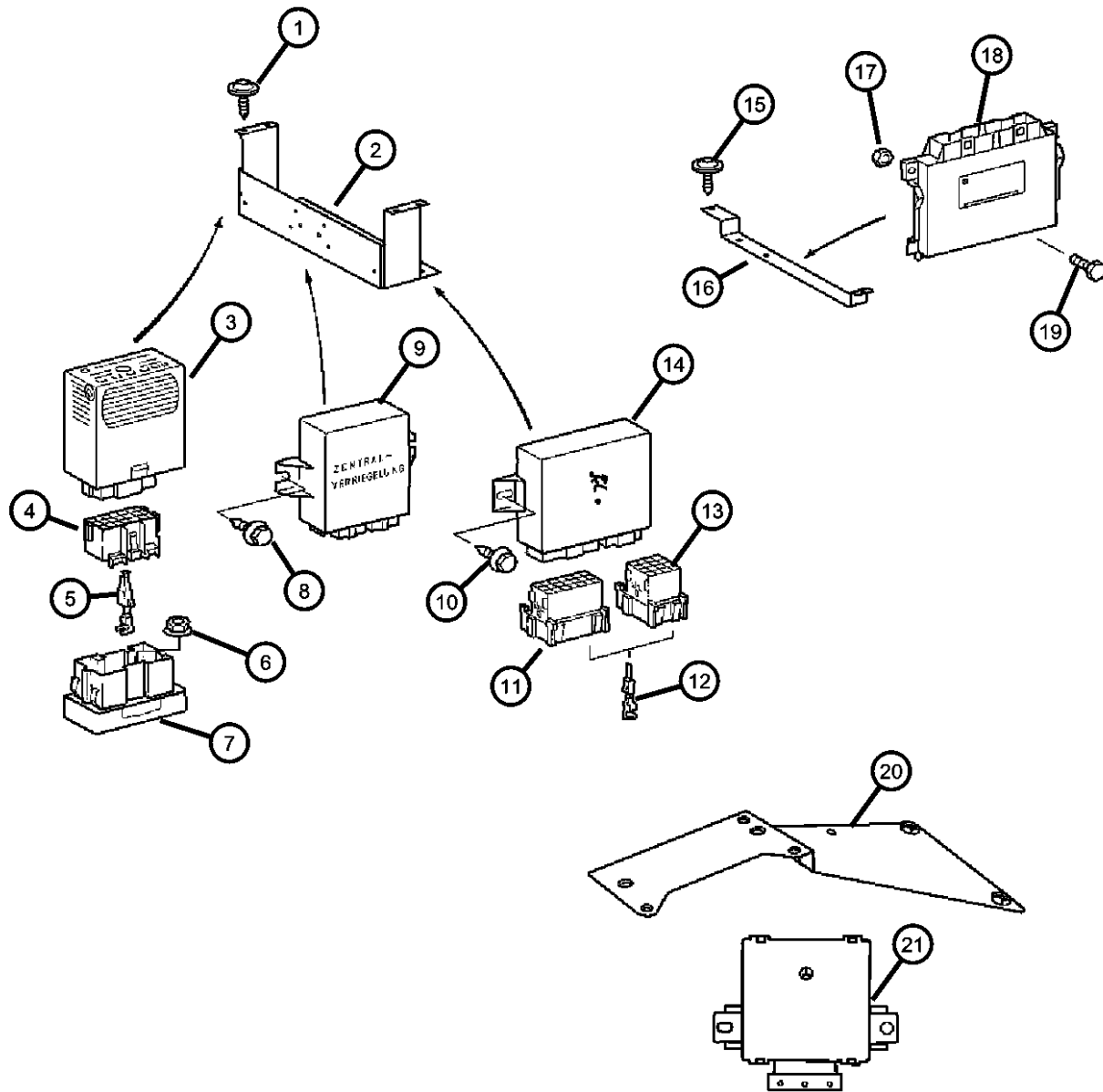
ITEM	PART NUMBER	QTY	LINE	SERIES	BODY	ENGINE	TRANS	TRIM	DESCRIPTION
	05103881AA	1	2, 6	L	11, 12, 14, 15, 16	EX8	DGJ		
		1	2, 6	L	51, 52, 54, 55, 56	EX8	DGJ		
		1	3, 7	L	02, 06	EX8	DGJ		
		1	2, 6	L	01, 02, 06	EX8	DGJ		
		99	3, 7	L	02, 06	EX8	DGJ		
6									NUT
	06104714AA	2	3, 7	L	02, 06	EX8	DGJ		
		2	3, 7	L	12, 15, 16	EX8	DGJ		
		2	2, 6	L	01, 02, 06	EX8	DGJ		
		2	2, 6	L	11, 12, 14, 15, 16	EX8	DGJ		
		2	2, 6	L	51, 52, 54, 55, 56	EX8	DGJ		
7									CONNECTOR
	05139184AA	1	2, 6	L	01, 02, 06	EX8	DGJ		
		1	2, 6	L	11, 12, 14, 15, 16	EX8	DGJ		
		1	2, 6	L	51, 52, 54, 55, 56	EX8	DGJ		
		1	3, 7	L	02, 06	EX8	DGJ		
		1	3, 7	L	12, 15, 16	EX8	DGJ		
8									SCREW
	05104609AA	1	2, 6	L	11, 12, 14, 15, 16	EX8	DGJ		
		1	2, 6	L	01, 02, 06	EX8	DGJ		
		1	2, 6	L	51, 52, 54, 55, 56	EX8	DGJ		
		1	3, 7	L	02, 06	EX8	DGJ		
		1	3, 7	L	12, 15, 16	EX8	DGJ		
9									MODULE, Central Locking

SPRINTER (VA)

SERIES	LINE	BODY	ENGINE	TRANSMISSION
L = LOWLINE	3 = HD DODGE 2WD	12 = Van 140"	EX8 = Engine - 2.7L I5	DGJ = Transmission - 5-Spd Auto, MB
	8 = HD DODGE 4WD	51 = Wagon 118"	Mercedes-Benz TD	
	6 = Lt. Duty DODGE 4WD	52 = Wagon 140"		
	2 = Med. Duty DODGE 2WD	14 = Van 118"		
	7 = Med. Duty DODGE 4WD	15 = Van 140"		
	4 = TRUCK	16 = Van 158"		
		54 = Wagon 118"		
		55 = Wagon 140"		
		56 = Wagon 158"		
		01 = Chassis Forward Control 118"		
		02 = Chassis Forward Control 140"		
		06 = Front Section 158"		
		11 = Van 118"		

AR = use ase required - = Non illustrated part

Modules and Related Parts
Figure 8-410



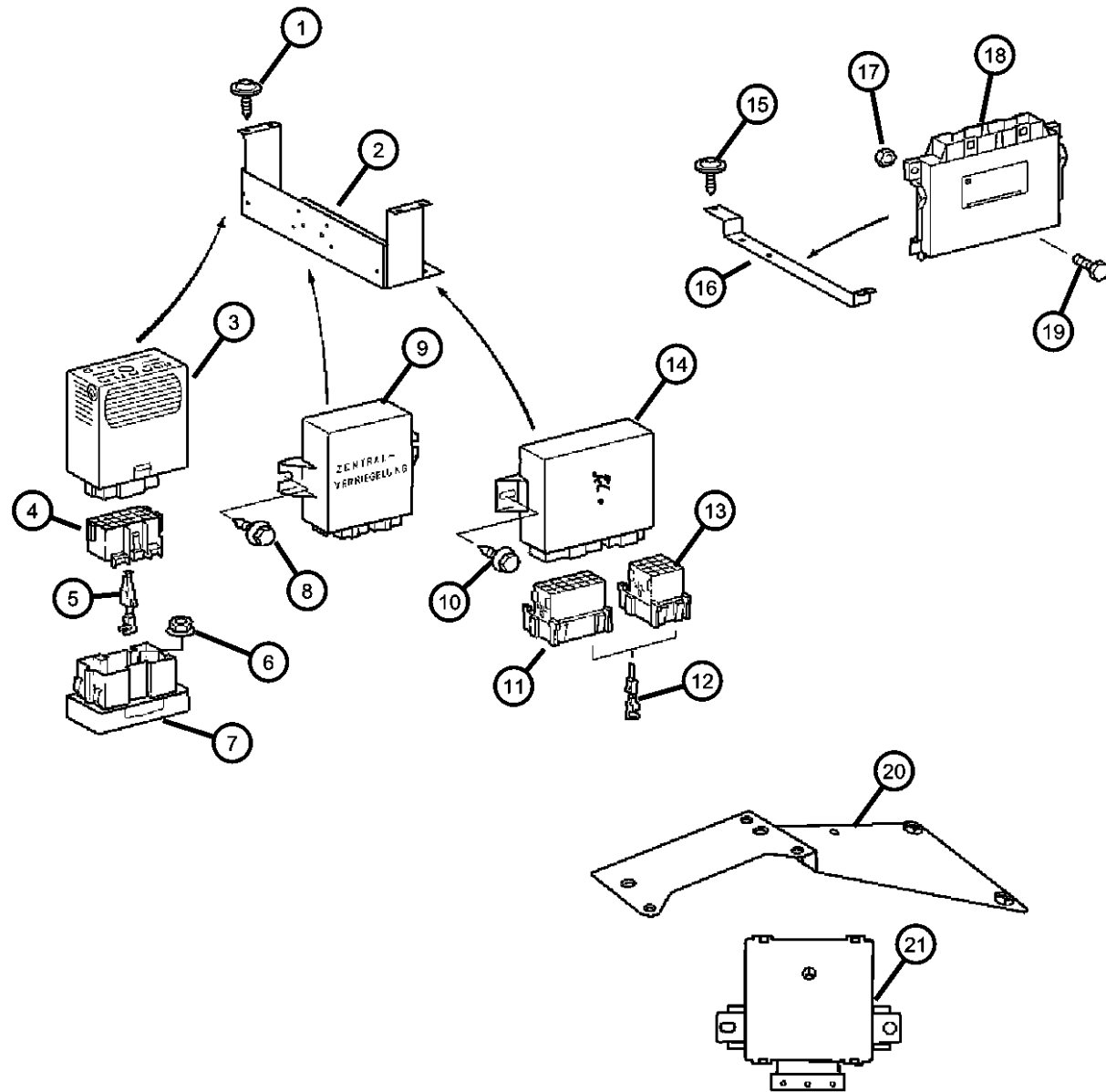
ITEM	PART NUMBER	QTY	LINE	SERIES	BODY	ENGINE	TRANS	TRIM	DESCRIPTION
	05127217AA	1	2, 6	L	01, 02, 06	EX8	DGJ		
		1	2, 6	L	11, 12, 14, 15, 16	EX8	DGJ		
		1	3, 7	L	02, 06	EX8	DGJ		
		1	3, 7	L	12, 15, 16	EX8	DGJ		
	05129301AA	1	2, 6	L	51, 52, 54, 55, 56	EX8	DGJ		
10									SCREW, Tapping
	06104574AA	3	2, 6	L	01, 02, 06	EX8	DGJ		
		3	2, 6	L	11, 12, 14, 15, 16	EX8	DGJ		
		4	2, 6	L	12, 15	EX8	DGJ		
		9	2, 6	L	11, 14, 16	EX8	DGJ		
		2	3, 7	L	02, 06	EX8	DGJ		
		2	3, 7	L	12, 15, 16	EX8	DGJ		
11									CONNECTOR
	05133333AA	1	3, 7	L	12, 15, 16	EX8	DGJ		
		1	2, 6	L	01, 02, 06	EX8	DGJ		
		1	2, 6	L	11, 12, 14, 15, 16	EX8	DGJ		
		1	2, 6	L	51, 52, 54, 55, 56	EX8	DGJ		
		1	3, 7	L	02, 06	EX8	DGJ		
12									TERMINAL
	05103882AA	1	2, 6	L	01, 02, 06	EX8	DGJ		
		1	2, 6	L	11, 12, 14, 15, 16	EX8	DGJ		
		1	2, 6	L	51, 52, 54, 55, 56	EX8	DGJ		
		1	3, 7	L	02, 06	EX8	DGJ		
		1	3, 7	L	12, 15, 16	EX8	DGJ		
13									CONNECTOR

SPRINTER (VA)

SERIES	LINE	BODY	ENGINE	TRANSMISSION
L = LOWLINE	3 = HD DODGE 2WD	12 = Van 140"	EX8 = Engine - 2.7L I5	DGJ = Transmission - 5-Spd Auto, MB
	8 = HD DODGE 4WD	51 = Wagon 118"	Mercedes-Benz TD	
	6 = Lt. Duty DODGE 4WD	52 = Wagon 140"		
	2 = Med. Duty DODGE 2WD	14 = Van 118"		
	7 = Med. Duty DODGE 4WD	15 = Van 140"		
	4 = TRUCK	16 = Van 158"		
		54 = Wagon 118"		
		55 = Wagon 140"		
		56 = Wagon 158"		
		01 = Chassis Forward Control 118"		
		02 = Chassis Forward Control 140"		
		06 = Front Section 158"		
		11 = Van 118"		

AR = use ase required - = Non illustrated part

Modules and Related Parts
Figure 8-410



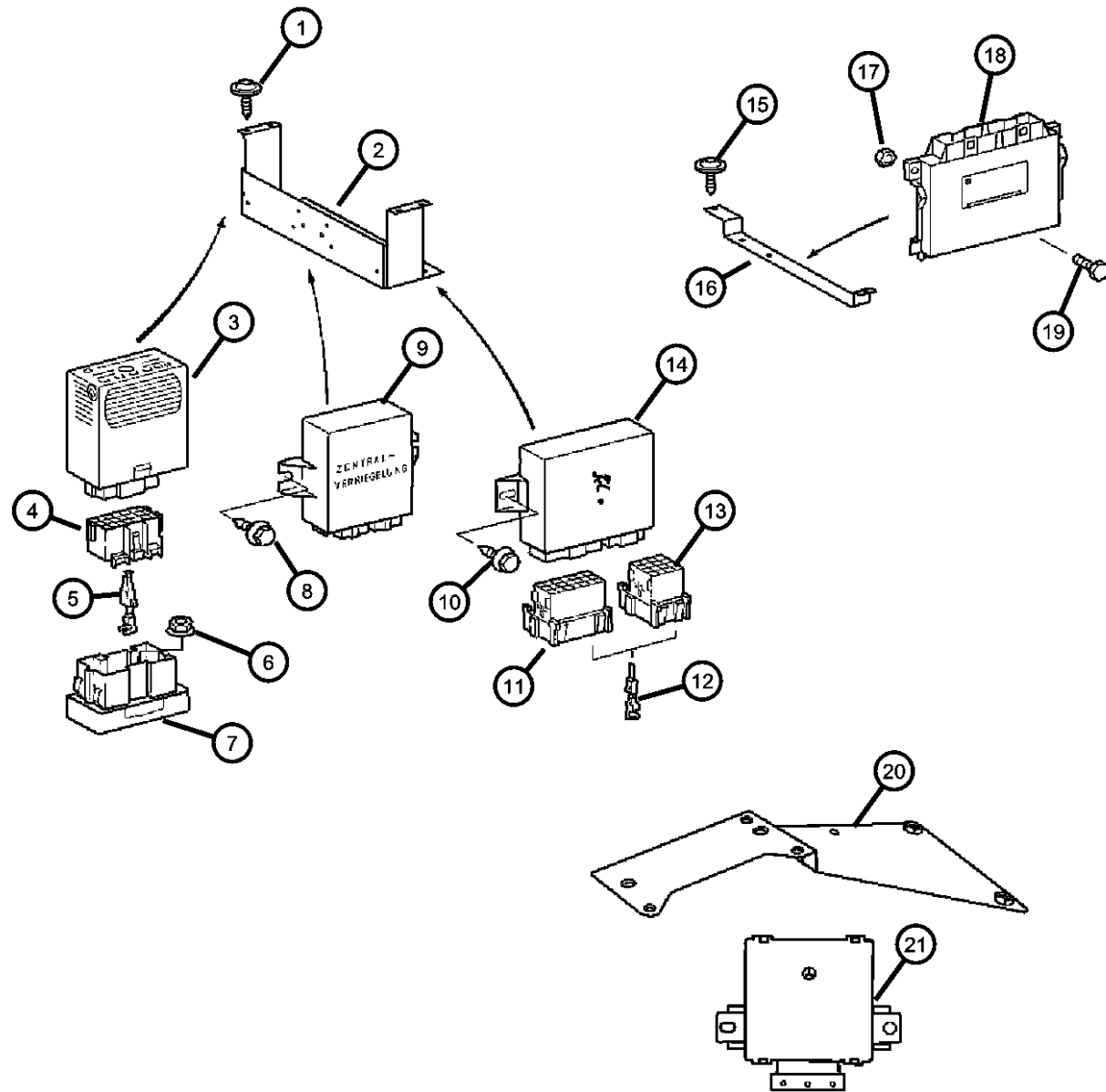
ITEM	PART NUMBER	QTY	LINE	SERIES	BODY	ENGINE	TRANS	TRIM	DESCRIPTION
	05120552AA	1	2, 6	L	01, 02, 06	EX8	DGJ		
		1	2, 6	L	11, 12, 14, 15, 16	EX8	DGJ		
		1	2, 6	L	51, 52, 54, 55, 56	EX8	DGJ		
		1	3, 7	L	02, 06	EX8	DGJ		
		1	3, 7	L	12, 15, 16	EX8	DGJ		
14									CONTROL, Theftproof
	05119439AA	1	2, 6	L	01, 02, 06	EX8	DGJ		
		1	2, 6	L	11, 12, 14, 15, 16	EX8	DGJ		
		1	2, 6	L	51, 52, 54, 55, 56	EX8	DGJ		
		1	3, 7	L	02, 06	EX8	DGJ		
		1	3, 7	L	12, 15, 16	EX8	DGJ		
15									SCREW, Tapping
	06104573AA	2	2, 6	L	01, 02, 06	EX8	DGJ		
		2	2, 6	L	11, 12, 14, 15, 16	EX8	DGJ		
		2	3, 7	L	02, 06	EX8	DGJ		
		2	3, 7	L	12, 15, 16	EX8	DGJ		
		2	2, 6	L	51, 52, 54, 55, 56	EX8	DGJ		
16									BRACKET, Control Unit
	05120842AA	2	3, 7	L	12, 15, 16	EX8	DGJ		
		2	2, 6	L	01, 02, 06	EX8	DGJ		
		2	2, 6	L	11, 12, 14, 15, 16	EX8	DGJ		
		2	2, 6	L	51, 52, 54, 55, 56	EX8	DGJ		
		2	3, 7	L	02, 06	EX8	DGJ		
17									NUT

SPRINTER (VA)

SERIES	LINE	BODY	ENGINE	TRANSMISSION
L = LOWLINE	3 = HD DODGE 2WD	12 = Van 140"	EX8 = Engine - 2.7L I5	DGJ = Transmission - 5-Spd Auto, MB
	8 = HD DODGE 4WD	51 = Wagon 118"	Mercedes-Benz TD	
	6 = Lt. Duty DODGE 4WD	52 = Wagon 140"		
	2 = Med. Duty DODGE 2WD	14 = Van 118"		
	7 = Med. Duty DODGE 4WD	15 = Van 140"		
	4 = TRUCK	16 = Van 158"		
		54 = Wagon 118"		
		55 = Wagon 140"		
		56 = Wagon 158"		
		01 = Chassis Forward Control 118"		
		02 = Chassis Forward Control 140"		
		06 = Front Section 158"		
		11 = Van 118"		

AR = use ase required - = Non illustrated part

Modules and Related Parts
Figure 8-410



ITEM	PART NUMBER	QTY	LINE	SERIES	BODY	ENGINE	TRANS	TRIM	DESCRIPTION
	06104714AA	2	2, 6	L	01, 02, 06	EX8	DGJ		
		2	2, 6	L	11, 12, 14, 15, 16	EX8	DGJ		
		2	2, 6	L	51, 52, 54, 55, 56	EX8	DGJ		
		1	3, 7	L	02, 06	EX8	DGJ		
		2	3, 7	L	12, 15, 16	EX8	DGJ		
18									MODULE, Transmission Control
	05140526AA	1	2, 6	L	01, 02, 06	EX8	DGJ		
		1	6, 2	L	11, 12, 14, 15, 16	EX8	DGJ		
		1	2, 6	L	51, 52, 54, 55, 56	EX8	DGJ		
		1	3, 7	L	02, 06	EX8	DGJ		
		1	3, 7	L	12, 15, 16	EX8	DGJ		
19									SCREW, Hex Head
	06104173AA	2	3, 7	L	12, 15, 16	EX8	DGJ		
		2	2, 6	L	01, 02, 06	EX8	DGJ		
		2	2, 6	L	11, 12, 14, 15, 16	EX8	DGJ		
		2	2, 6	L	51, 52, 54, 55, 56	EX8	DGJ		
		2	3, 7	L	02, 06	EX8	DGJ		
20									BRACKET, Module
	05120255AA	1	2, 6	L	01, 02, 06	EX8	DGJ		Rain sensor module
		1	2, 6	L	11, 12, 14, 15, 16	EX8	DGJ		Rain sensor module
		1	2, 6	L	51, 52, 54, 55, 56	EX8	DGJ		Rain sensor module
		1	3, 7	L	02, 06	EX8	DGJ		Rain sensor module
		1	3, 7	L	12, 15, 16	EX8	DGJ		Rain sensor module
21									MODULE, Rain Sensor

SPRINTER (VA)

SERIES

L = LOWLINE

LINE

3 = HD DODGE 2WD
8 = HD DODGE 4WD
6 = Lt. Duty DODGE 4WD
2 = Med. Duty DODGE 2WD
7 = Med. Duty DODGE 4WD
4 = TRUCK

BODY

12 = Van 140"
51 = Wagon 118"
52 = Wagon 140"
14 = Van 118"
15 = Van 140"
16 = Van 158"
54 = Wagon 118"
55 = Wagon 140"
56 = Wagon 158"
01 = Chassis Forward Control 118"
02 = Chassis Forward Control 140"
06 = Front Section 158"
11 = Van 118"

ENGINE

EX8 = Engine - 2.7L I5
Mercedes-Benz TD

TRANSMISSION

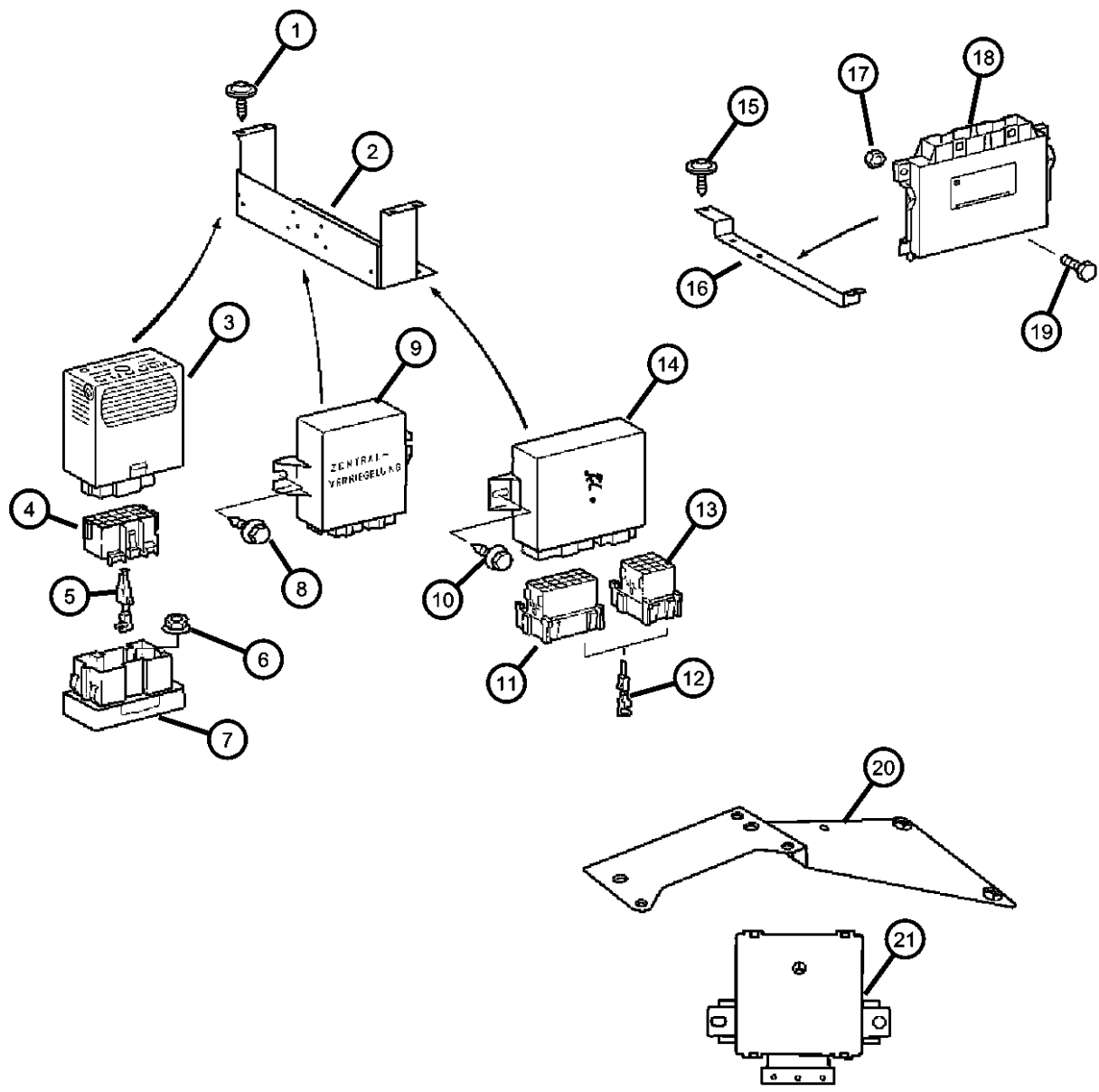
DGJ = Transmission - 5-Spd Auto, MB

AR = use ase required - = Non illustrated part

2005 VA

Modules and Related Parts
Figure 8-410

ITEM	PART NUMBER	QTY	LINE	SERIES	BODY	ENGINE	TRANS	TRIM	DESCRIPTION
	05124447AA	1	2, 6	L	01, 02, 06	EX8	DGJ		
		1	2, 6	L	11, 12, 14, 15, 16	EX8	DGJ		
		1	2, 6	L	51, 52, 54, 55, 56	EX8	DGJ		
		1	3, 7	L	02, 06	EX8	DGJ		
		1	3, 7	L	12, 15, 16	EX8	DGJ		
-22									SCREW
	06104075AA	2	2, 6	L	01, 02, 06	EX8	DGJ		Rain sensor module attaching
		2	2, 6	L	11, 12, 14, 15, 16	EX8	DGJ		Rain sensor module attaching
		2	2, 6	L	51, 52, 54, 55, 56	EX8	DGJ		Rain sensor module attaching
		2	3, 7	L	02, 06	EX8	DGJ		Rain sensor module attaching
		2	3, 7	L	12, 15, 16	EX8	DGJ		Rain sensor module attaching

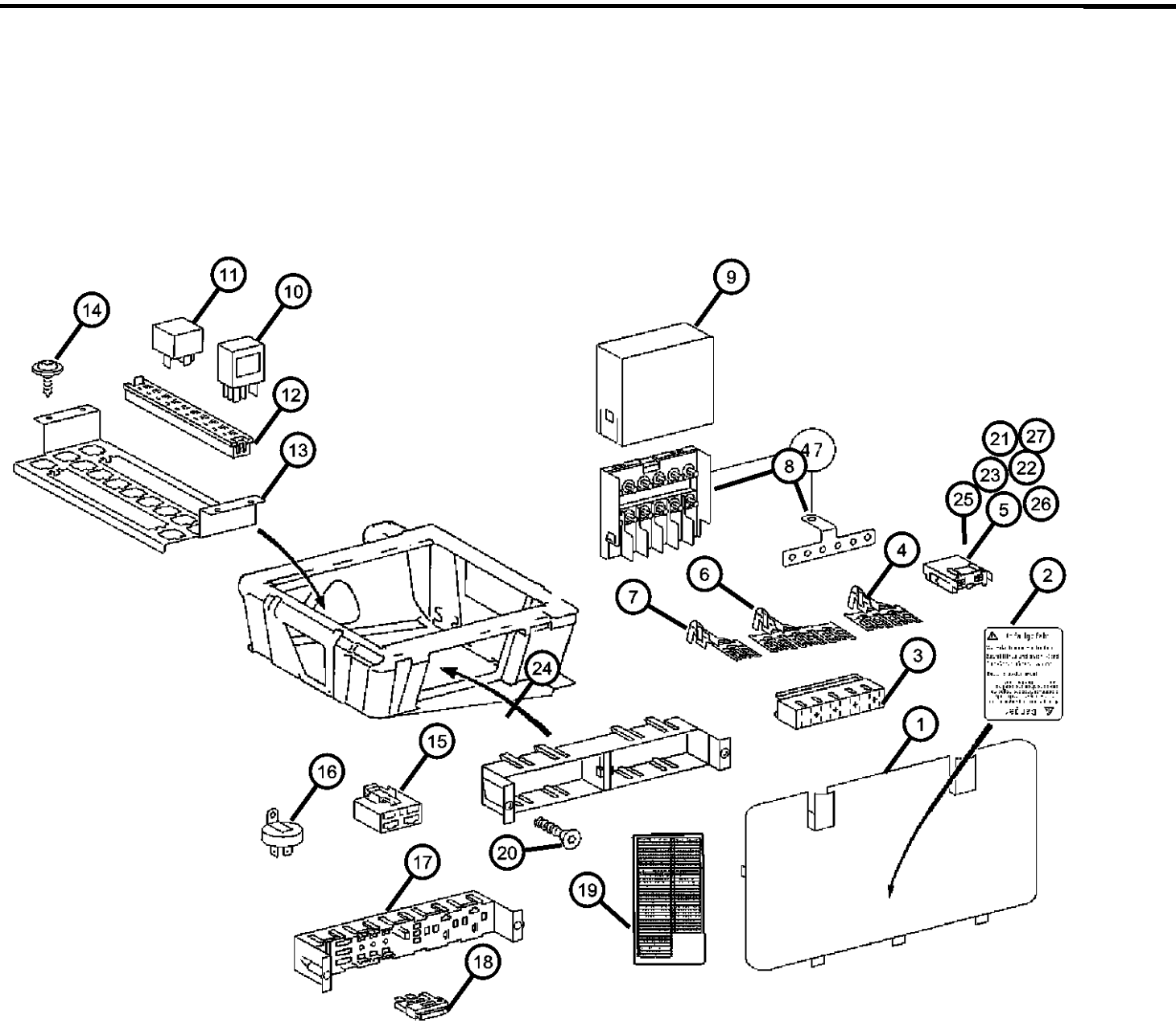


SPRINTER (VA)

SERIES	LINE	BODY	ENGINE	TRANSMISSION
L = LOWLINE	3 = HD DODGE 2WD 8 = HD DODGE 4WD 6 = Lt. Duty DODGE 4WD 2 = Med. Duty DODGE 2WD 7 = Med. Duty DODGE 4WD 4 = TRUCK	12 = Van 140" 51 = Wagon 118" 52 = Wagon 140" 14 = Van 118" 15 = Van 140" 16 = Van 158" 54 = Wagon 118" 55 = Wagon 140" 56 = Wagon 158" 01 = Chassis Forward Control 118" 02 = Chassis Forward Control 140" 06 = Front Section 158" 11 = Van 118"	EX8 = Engine - 2.7L I5 Mercedes-Benz TD	DGJ = Transmission - 5-Spd Auto, MB

AR = use ase required - = Non illustrated part

Under Seat - Relays & Fuses
Figure 8-505



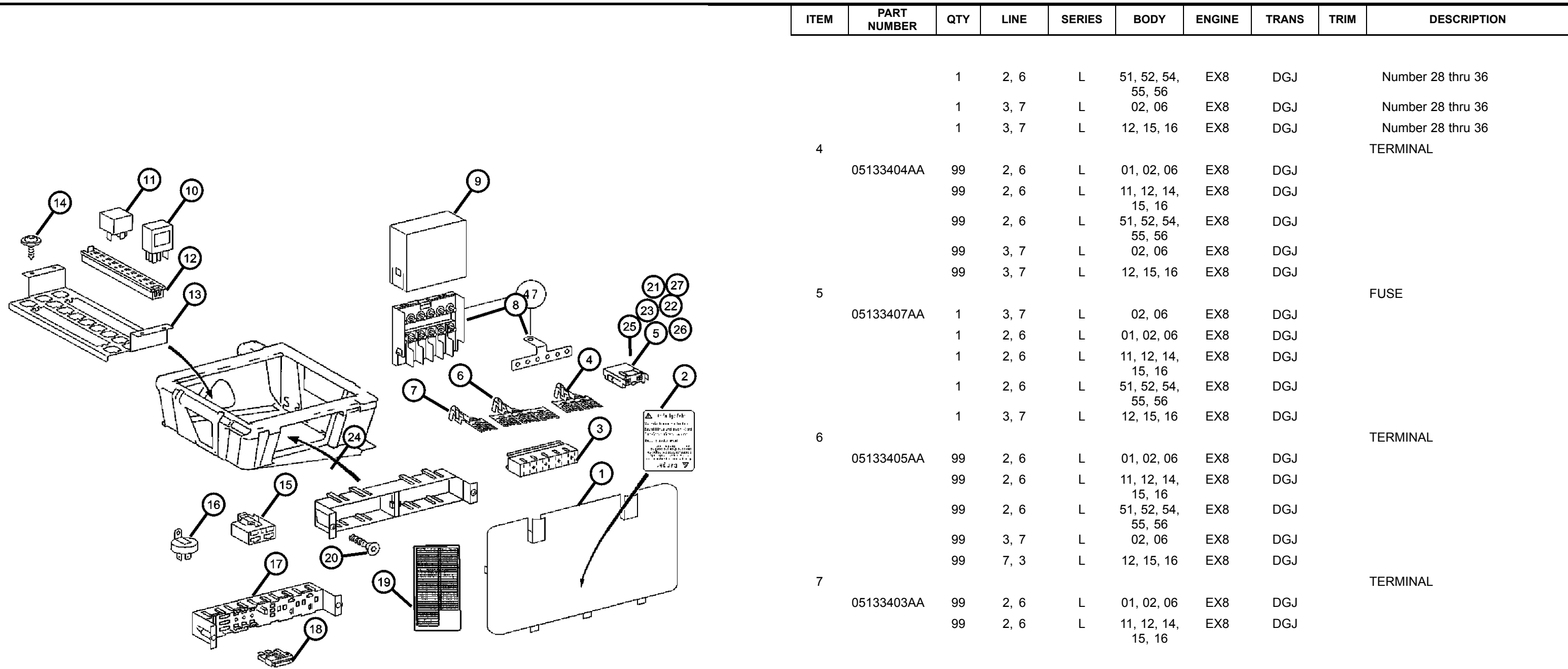
ITEM	PART NUMBER	QTY	LINE	SERIES	BODY	ENGINE	TRANS	TRIM	DESCRIPTION		
1	05103749AA	1	2, 6	L	01, 02, 06	EX8	DGJ		COVER, Fuse Access		
		1	2, 6	L	11, 12, 14, 15, 16	EX8	DGJ				
		1	2, 6	L	51, 52, 54, 55, 56	EX8	DGJ				
	05133683AA	1	3, 7	L	02, 06	EX8	DGJ				
		1	3, 7	L	12, 15, 16	EX8	DGJ				
		1	3, 7	L	12, 15, 16	EX8	DGJ				
2	05121112AA	1	2, 6	L	01, 02, 06	EX8	DGJ		LABEL, Warning		
		1	2, 6	L	11, 12, 14, 15, 16	EX8	DGJ				
		1	2, 6	L	51, 52, 54, 55, 56	EX8	DGJ				
		1	3, 7	L	02, 06	EX8	DGJ				
		1	3, 7	L	12, 15, 16	EX8	DGJ				
		1	3, 7	L	12, 15, 16	EX8	DGJ				
	3	05120401AA	1	2, 6	L	01, 02, 06	EX8	DGJ			CONNECTOR Number 1 thru 9
			1	2, 6	L	11, 12, 14, 15, 16	EX8	DGJ			
			1	2, 6	L	51, 52, 54, 55, 56	EX8	DGJ			
		05120402AA	1	3, 7	L	02, 06	EX8	DGJ			
			1	3, 7	L	12, 15, 16	EX8	DGJ			
			1	2, 6	L	01, 02, 06	EX8	DGJ			
05120403AA	05120402AA	1	2, 6	L	11, 12, 14, 15, 16	EX8	DGJ				
		1	2, 6	L	51, 52, 54, 55, 56	EX8	DGJ				
		1	3, 7	L	02, 06	EX8	DGJ				
	05120403AA	1	3, 7	L	12, 15, 16	EX8	DGJ				
		1	2, 6	L	01, 02, 06	EX8	DGJ				
		1	2, 6	L	11, 12, 14, 15, 16	EX8	DGJ				

SPRINTER (VA)

SERIES	LINE	BODY	ENGINE	TRANSMISSION
L = LOWLINE	3 = HD DODGE 2WD 8 = HD DODGE 4WD 6 = Lt. Duty DODGE 4WD 2 = Med. Duty DODGE 2WD 7 = Med. Duty DODGE 4WD 4 = TRUCK	12 = Van 140" 51 = Wagon 118" 52 = Wagon 140" 14 = Van 118" 15 = Van 140" 16 = Van 158" 54 = Wagon 118" 55 = Wagon 140" 56 = Wagon 158" 01 = Chassis Forward Control 118" 02 = Chassis Forward Control 140" 06 = Front Section 158" 11 = Van 118"	EX8 = Engine - 2.7L I5 Mercedes-Benz TD	DGJ = Transmission - 5-Spd Auto, MB

AR = use ase required - = Non illustrated part

Under Seat - Relays & Fuses
Figure 8-505



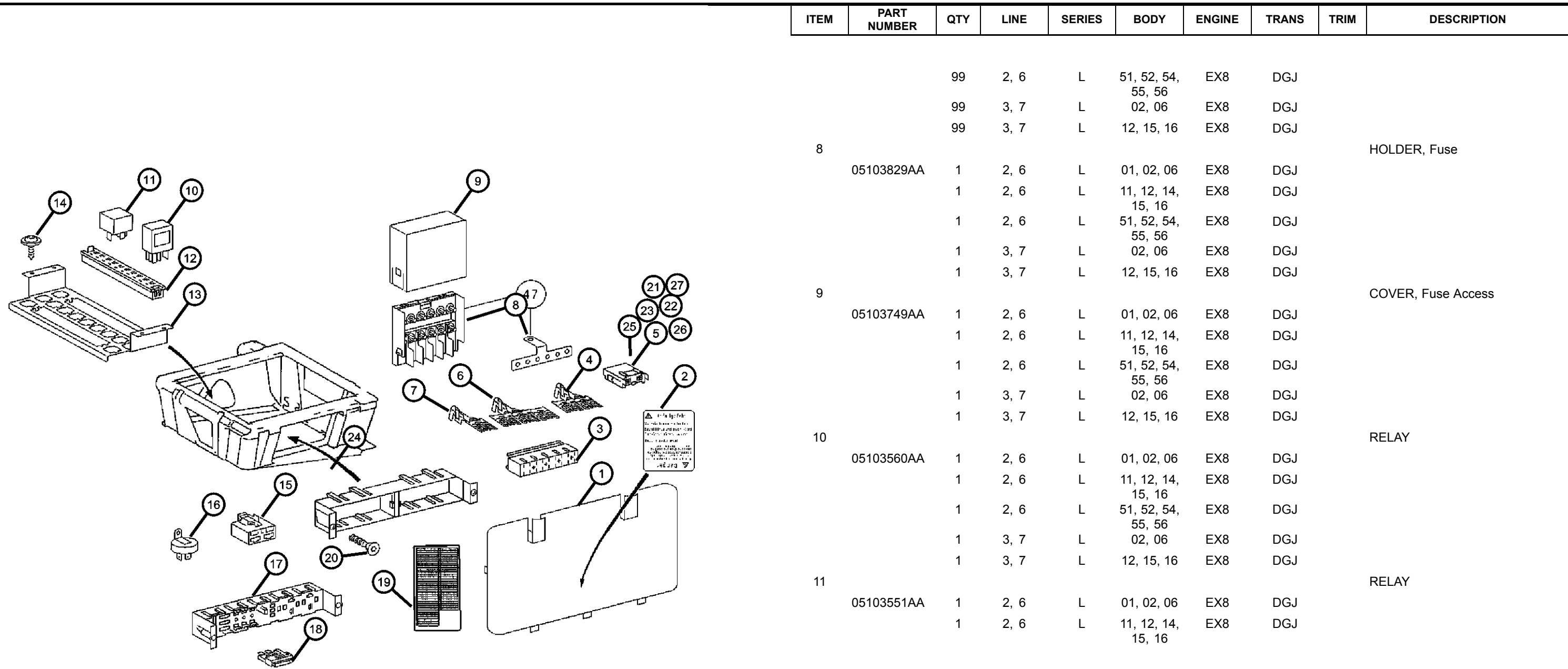
ITEM	PART NUMBER	QTY	LINE	SERIES	BODY	ENGINE	TRANS	TRIM	DESCRIPTION
4	05133404AA	1	2, 6	L	51, 52, 54, 55, 56	EX8	DGJ		Number 28 thru 36
		1	3, 7	L	02, 06	EX8	DGJ		Number 28 thru 36
		1	3, 7	L	12, 15, 16	EX8	DGJ		Number 28 thru 36
5	05133407AA	99	2, 6	L	01, 02, 06	EX8	DGJ		TERMINAL
		99	2, 6	L	11, 12, 14, 15, 16	EX8	DGJ		
		99	2, 6	L	51, 52, 54, 55, 56	EX8	DGJ		
		99	3, 7	L	02, 06	EX8	DGJ		
		99	3, 7	L	12, 15, 16	EX8	DGJ		
6	05133405AA	1	3, 7	L	02, 06	EX8	DGJ		FUSE
		1	2, 6	L	01, 02, 06	EX8	DGJ		
		1	2, 6	L	11, 12, 14, 15, 16	EX8	DGJ		
		1	2, 6	L	51, 52, 54, 55, 56	EX8	DGJ		
		1	3, 7	L	12, 15, 16	EX8	DGJ		
7	05133403AA	99	2, 6	L	01, 02, 06	EX8	DGJ		TERMINAL
		99	2, 6	L	11, 12, 14, 15, 16	EX8	DGJ		
		99	2, 6	L	51, 52, 54, 55, 56	EX8	DGJ		
		99	3, 7	L	02, 06	EX8	DGJ		

SPRINTER (VA)

SERIES	LINE	BODY	ENGINE	TRANSMISSION
L = LOWLINE	3 = HD DODGE 2WD 8 = HD DODGE 4WD 6 = Lt. Duty DODGE 4WD 2 = Med. Duty DODGE 2WD 7 = Med. Duty DODGE 4WD 4 = TRUCK	12 = Van 140" 51 = Wagon 118" 52 = Wagon 140" 14 = Van 118" 15 = Van 140" 16 = Van 158" 54 = Wagon 118" 55 = Wagon 140" 56 = Wagon 158" 01 = Chassis Forward Control 118" 02 = Chassis Forward Control 140" 06 = Front Section 158" 11 = Van 118"	EX8 = Engine - 2.7L I5 Mercedes-Benz TD	DGJ = Transmission - 5-Spd Auto, MB

AR = use ase required - = Non illustrated part

Under Seat - Relays & Fuses
Figure 8-505



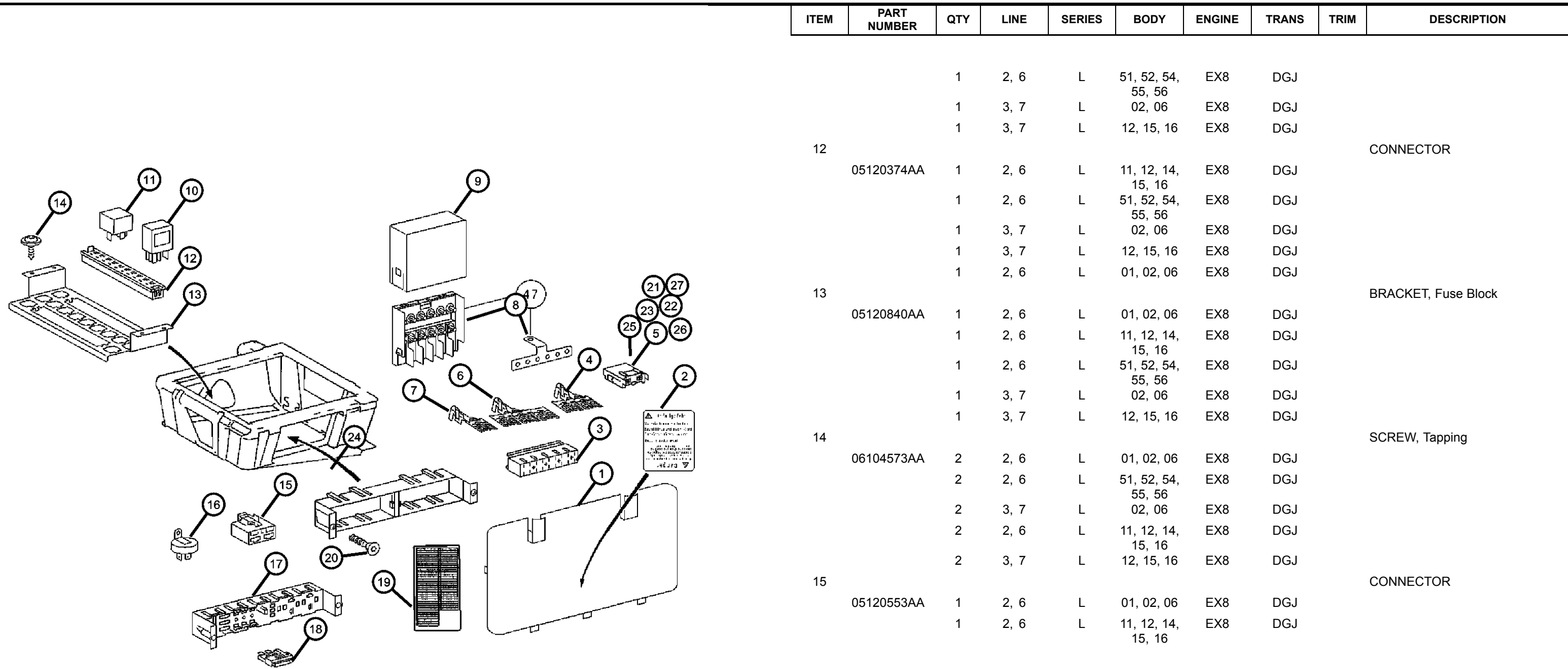
ITEM	PART NUMBER	QTY	LINE	SERIES	BODY	ENGINE	TRANS	TRIM	DESCRIPTION
8	05103829AA	99	2, 6	L	51, 52, 54, 55, 56	EX8	DGJ		HOLDER, Fuse
		99	3, 7	L	02, 06	EX8	DGJ		
		99	3, 7	L	12, 15, 16	EX8	DGJ		
		1	2, 6	L	01, 02, 06	EX8	DGJ		
		1	2, 6	L	11, 12, 14, 15, 16	EX8	DGJ		
		1	2, 6	L	51, 52, 54, 55, 56	EX8	DGJ		
9	05103749AA	1	3, 7	L	02, 06	EX8	DGJ		COVER, Fuse Access
		1	3, 7	L	12, 15, 16	EX8	DGJ		
		1	2, 6	L	01, 02, 06	EX8	DGJ		
		1	2, 6	L	11, 12, 14, 15, 16	EX8	DGJ		
		1	2, 6	L	51, 52, 54, 55, 56	EX8	DGJ		
		1	3, 7	L	02, 06	EX8	DGJ		
10	05103560AA	1	3, 7	L	12, 15, 16	EX8	DGJ		RELAY
		1	2, 6	L	01, 02, 06	EX8	DGJ		
		1	2, 6	L	11, 12, 14, 15, 16	EX8	DGJ		
		1	2, 6	L	51, 52, 54, 55, 56	EX8	DGJ		
		1	3, 7	L	02, 06	EX8	DGJ		
		1	3, 7	L	12, 15, 16	EX8	DGJ		
11	05103551AA	1	2, 6	L	01, 02, 06	EX8	DGJ		RELAY
		1	2, 6	L	11, 12, 14, 15, 16	EX8	DGJ		
		1	2, 6	L	51, 52, 54, 55, 56	EX8	DGJ		

SPRINTER (VA)

SERIES	LINE	BODY	ENGINE	TRANSMISSION
L = LOWLINE	3 = HD DODGE 2WD 8 = HD DODGE 4WD 6 = Lt. Duty DODGE 4WD 2 = Med. Duty DODGE 2WD 7 = Med. Duty DODGE 4WD 4 = TRUCK	12 = Van 140" 51 = Wagon 118" 52 = Wagon 140" 14 = Van 118" 15 = Van 140" 16 = Van 158" 54 = Wagon 118" 55 = Wagon 140" 56 = Wagon 158" 01 = Chassis Forward Control 118" 02 = Chassis Forward Control 140" 06 = Front Section 158" 11 = Van 118"	EX8 = Engine - 2.7L I5 Mercedes-Benz TD	DGJ = Transmission - 5-Spd Auto, MB

AR = use ase required - = Non illustrated part

Under Seat - Relays & Fuses
Figure 8-505



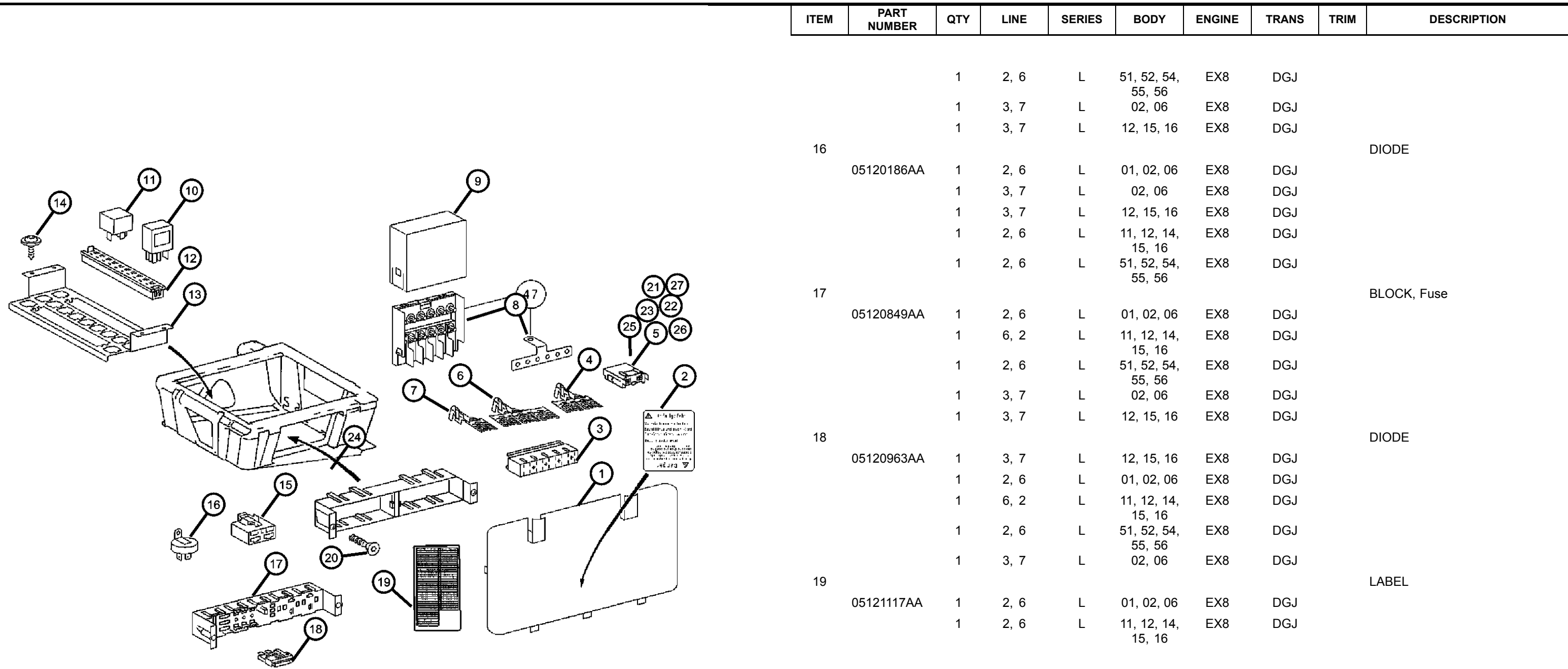
ITEM	PART NUMBER	QTY	LINE	SERIES	BODY	ENGINE	TRANS	TRIM	DESCRIPTION
		1	2, 6	L	51, 52, 54, 55, 56	EX8	DGJ		
		1	3, 7	L	02, 06	EX8	DGJ		
		1	3, 7	L	12, 15, 16	EX8	DGJ		
12	05120374AA	1	2, 6	L	11, 12, 14, 15, 16	EX8	DGJ		CONNECTOR
		1	2, 6	L	51, 52, 54, 55, 56	EX8	DGJ		
		1	3, 7	L	02, 06	EX8	DGJ		
		1	3, 7	L	12, 15, 16	EX8	DGJ		
		1	2, 6	L	01, 02, 06	EX8	DGJ		
13	05120840AA	1	2, 6	L	01, 02, 06	EX8	DGJ		BRACKET, Fuse Block
		1	2, 6	L	11, 12, 14, 15, 16	EX8	DGJ		
		1	2, 6	L	51, 52, 54, 55, 56	EX8	DGJ		
		1	3, 7	L	02, 06	EX8	DGJ		
		1	3, 7	L	12, 15, 16	EX8	DGJ		
14	06104573AA	2	2, 6	L	01, 02, 06	EX8	DGJ		SCREW, Tapping
		2	2, 6	L	51, 52, 54, 55, 56	EX8	DGJ		
		2	3, 7	L	02, 06	EX8	DGJ		
		2	2, 6	L	11, 12, 14, 15, 16	EX8	DGJ		
		2	3, 7	L	12, 15, 16	EX8	DGJ		
15	05120553AA	1	2, 6	L	01, 02, 06	EX8	DGJ		CONNECTOR
		1	2, 6	L	11, 12, 14, 15, 16	EX8	DGJ		

SPRINTER (VA)

SERIES	LINE	BODY	ENGINE	TRANSMISSION
L = LOWLINE	3 = HD DODGE 2WD 8 = HD DODGE 4WD 6 = Lt. Duty DODGE 4WD 2 = Med. Duty DODGE 2WD 7 = Med. Duty DODGE 4WD 4 = TRUCK	12 = Van 140" 51 = Wagon 118" 52 = Wagon 140" 14 = Van 118" 15 = Van 140" 16 = Van 158" 54 = Wagon 118" 55 = Wagon 140" 56 = Wagon 158" 01 = Chassis Forward Control 118" 02 = Chassis Forward Control 140" 06 = Front Section 158" 11 = Van 118"	EX8 = Engine - 2.7L I5 Mercedes-Benz TD	DGJ = Transmission - 5-Spd Auto, MB

AR = use ase required - = Non illustrated part

Under Seat - Relays & Fuses
Figure 8-505



ITEM	PART NUMBER	QTY	LINE	SERIES	BODY	ENGINE	TRANS	TRIM	DESCRIPTION
		1	2, 6	L	51, 52, 54, 55, 56	EX8	DGJ		
		1	3, 7	L	02, 06	EX8	DGJ		
		1	3, 7	L	12, 15, 16	EX8	DGJ		
16	05120186AA	1	2, 6	L	01, 02, 06	EX8	DGJ		DIODE
		1	3, 7	L	02, 06	EX8	DGJ		
		1	3, 7	L	12, 15, 16	EX8	DGJ		
		1	2, 6	L	11, 12, 14, 15, 16	EX8	DGJ		
		1	2, 6	L	51, 52, 54, 55, 56	EX8	DGJ		
17	05120849AA	1	2, 6	L	01, 02, 06	EX8	DGJ		BLOCK, Fuse
		1	6, 2	L	11, 12, 14, 15, 16	EX8	DGJ		
		1	2, 6	L	51, 52, 54, 55, 56	EX8	DGJ		
		1	3, 7	L	02, 06	EX8	DGJ		
		1	3, 7	L	12, 15, 16	EX8	DGJ		
18	05120963AA	1	3, 7	L	12, 15, 16	EX8	DGJ		DIODE
		1	2, 6	L	01, 02, 06	EX8	DGJ		
		1	6, 2	L	11, 12, 14, 15, 16	EX8	DGJ		
		1	2, 6	L	51, 52, 54, 55, 56	EX8	DGJ		
		1	3, 7	L	02, 06	EX8	DGJ		
19	05121117AA	1	2, 6	L	01, 02, 06	EX8	DGJ		LABEL
		1	2, 6	L	11, 12, 14, 15, 16	EX8	DGJ		

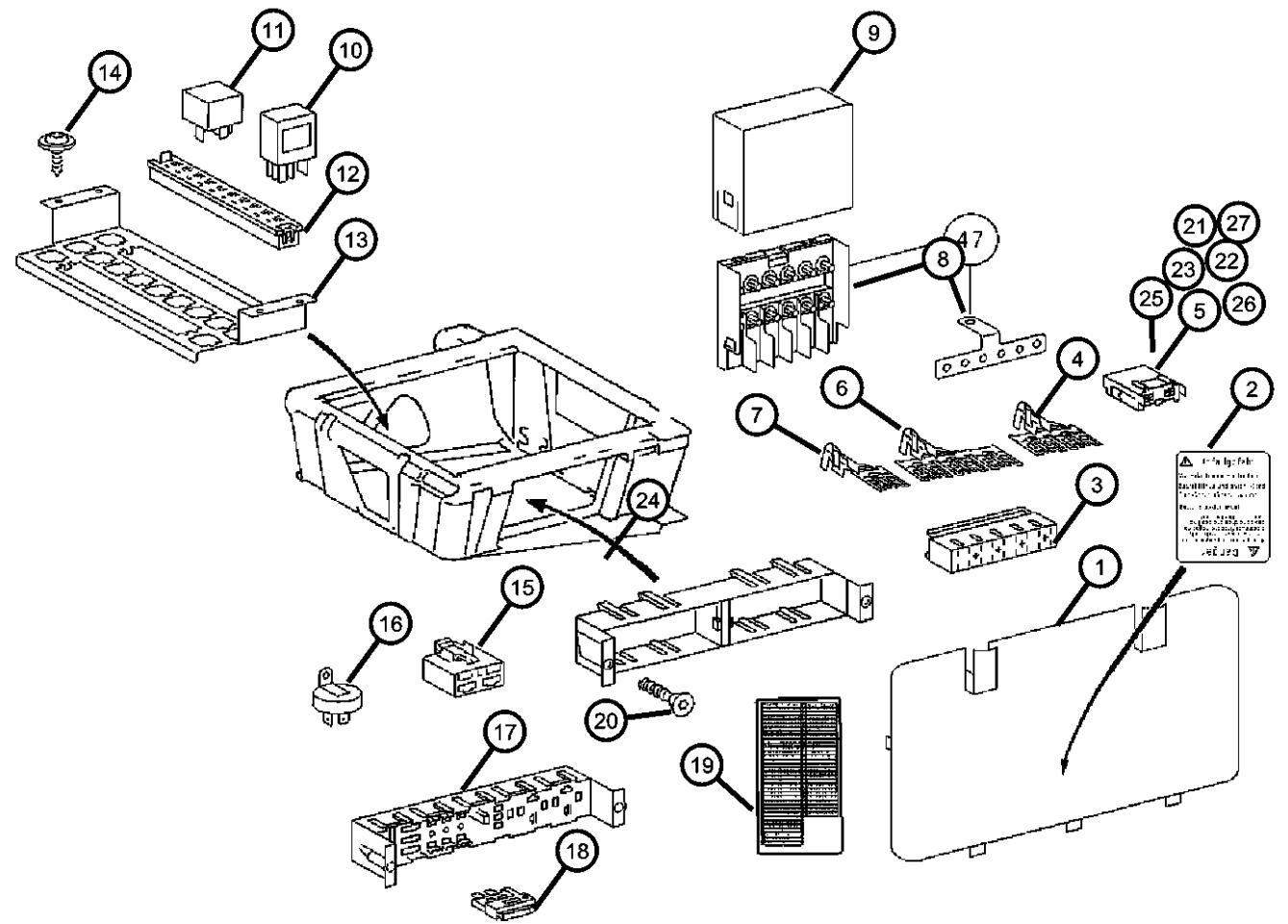
SPRINTER (VA)

SERIES	LINE	BODY	ENGINE	TRANSMISSION
L = LOWLINE	3 = HD DODGE 2WD 8 = HD DODGE 4WD 6 = Lt. Duty DODGE 4WD 2 = Med. Duty DODGE 2WD 7 = Med. Duty DODGE 4WD 4 = TRUCK	12 = Van 140" 51 = Wagon 118" 52 = Wagon 140" 14 = Van 118" 15 = Van 140" 16 = Van 158" 54 = Wagon 118" 55 = Wagon 140" 56 = Wagon 158" 01 = Chassis Forward Control 118" 02 = Chassis Forward Control 140" 06 = Front Section 158" 11 = Van 118"	EX8 = Engine - 2.7L I5 Mercedes-Benz TD	DGJ = Transmission - 5-Spd Auto, MB

AR = use ase required - = Non illustrated part

Under Seat - Relays & Fuses
Figure 8-505

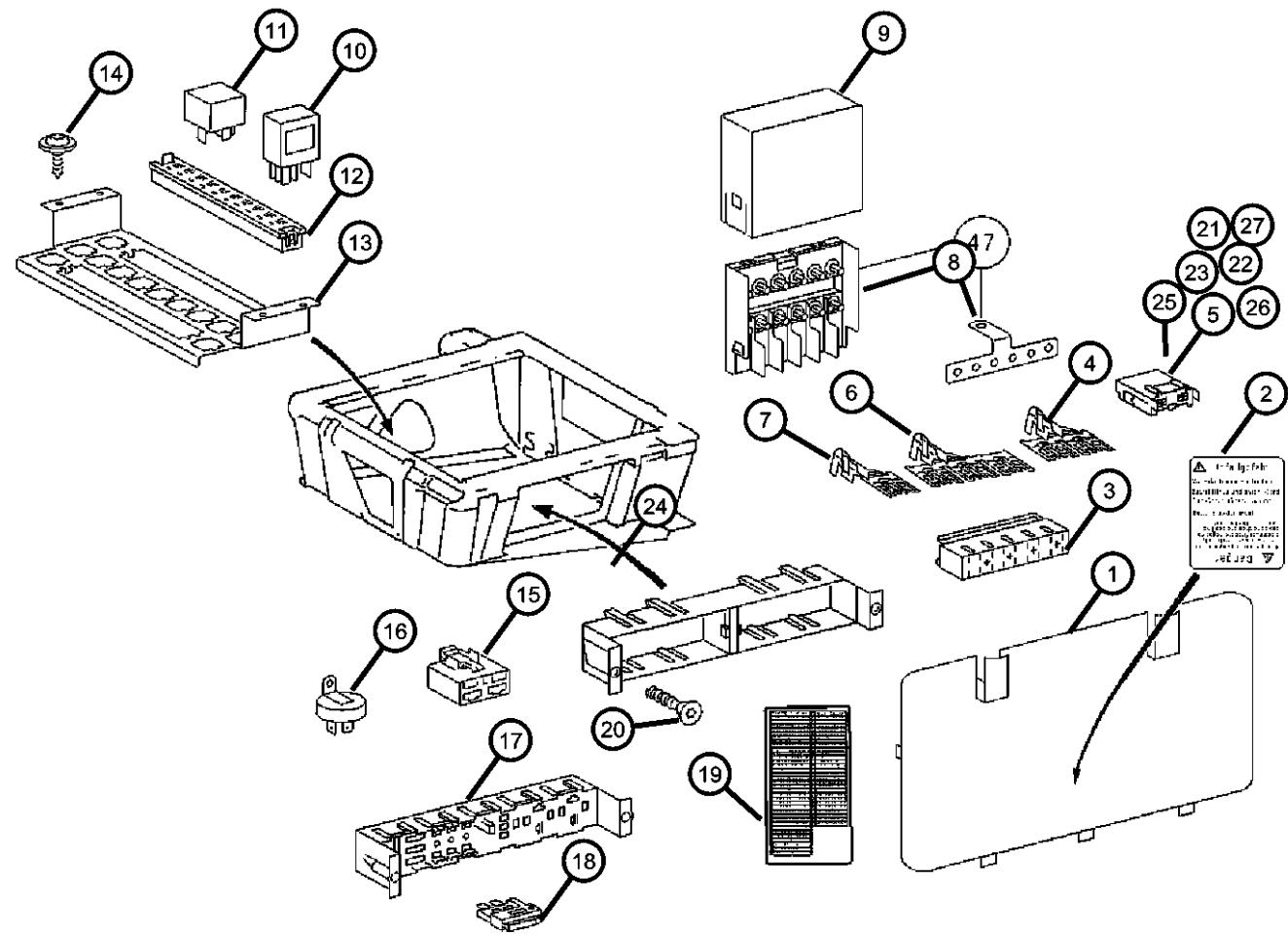
ITEM	PART NUMBER	QTY	LINE	SERIES	BODY	ENGINE	TRANS	TRIM	DESCRIPTION
		1	2, 6	L	51, 52, 54, 55, 56	EX8	DGJ		
		1	3, 7	L	02, 06	EX8	DGJ		
		1	3, 7	L	12, 15, 16	EX8	DGJ		
20									SCREW, Counter Sunk
	06104654AA	2	2, 6	L	01, 02, 06	EX8	DGJ		
		2	2, 6	L	11, 12, 14, 15, 16	EX8	DGJ		
		2	2, 6	L	51, 52, 54, 55, 56	EX8	DGJ		
		2	7, 3	L	02, 06	EX8	DGJ		
		2	3, 7	L	12, 15, 16	EX8	DGJ		
21									CONNECTOR
	05120507AA	1	3, 7	L	02, 06	EX8	DGJ		
		1	3, 7	L	12, 15, 16	EX8	DGJ		
		1	2, 6	L	01, 02, 06	EX8	DGJ		
		1	2, 6	L	11, 12, 14, 15, 16	EX8	DGJ		
		1	2, 6	L	51, 52, 54, 55, 56	EX8	DGJ		
22	05104596AA	1							FUSE, 200 AMP
23									FUSE
	05104596AA	1							200 AMP in PDC
	05166996AA	1							80 AMP in PDC
	05104598AA	1							70 AMP in PDC
24									FUSE, Maxi, 60 AMP, Blue
	05126094AA	1	2, 6	L	01, 02, 06	EX8	DGJ		
		1	2, 6	L	11, 12, 14, 15, 16	EX8	DGJ		
		1	2, 6	L	51, 52, 54, 55, 56	EX8	DGJ		
		1	3, 7	L	02, 06	EX8	DGJ		



SPRINTER (VA)
 SERIES LINE BODY ENGINE TRANSMISSION
 L = LOWLINE 3 = HD DODGE 2WD 12 = Van 140" EX8 = Engine - 2.7L I5 DGJ = Transmission - 5-Spd Auto, MB
 8 = HD DODGE 4WD 51 = Wagon 118" Mercedes-Benz TD
 6 = Lt. Duty DODGE 4WD 52 = Wagon 140"
 2 = Med. Duty DODGE 2WD 14 = Van 118"
 7 = Med. Duty DODGE 4WD 15 = Van 140"
 4 = TRUCK 16 = Van 158"
 54 = Wagon 118"
 55 = Wagon 140"
 56 = Wagon 158"
 01 = Chassis Forward Control
 118"
 02 = Chassis Forward Control
 140"
 06 = Front Section 158"
 11 = Van 118"

AR = use ase required - = Non illustrated part

**Under Seat - Relays & Fuses
Figure 8-505**



ITEM	PART NUMBER	QTY	LINE	SERIES	BODY	ENGINE	TRANS	TRIM	DESCRIPTION
25		1	3, 7	L	12, 15, 16	EX8	DGJ		FUSE, Standard, 30 AMP, Green
	05133472AA	99	2, 6	L	01, 02, 06	EX8	DGJ		
		99	2, 6	L	11, 12, 14, 15, 16	EX8	DGJ		
		99	2, 6	L	51, 52, 54, 55, 56	EX8	DGJ		
		99	3, 7	L	02, 06	EX8	DGJ		
		99	3, 7	L	12, 15, 16	EX8	DGJ		
26									FUSE, Maxi, 50 AMP, Red
	05133473AA	99	2, 6	L	01, 02, 06	EX8	DGJ		
		99	2, 6	L	11, 12, 14, 15, 16	EX8	DGJ		
		99	2, 6	L	51, 52, 54, 55, 56	EX8	DGJ		
		99	3, 7	L	02, 06	EX8	DGJ		
		99	3, 7	L	12, 15, 16	EX8	DGJ		
27									FUSE
	05138904AA	3	2, 6	L	11, 12, 14, 15, 16	EX8	DGJ		
		3	2, 6	L	51, 52, 54, 55, 56	EX8	DGJ		
		3	3, 7	L	12, 15, 16	EX8	DGJ		
-28									BRACKET, Fuse Block
	05120844AA	1	3, 7	L	02, 06	EX8	DGJ		
		1	3, 7	L	12, 15, 16	EX8	DGJ		
		1	2, 6	L	01, 02, 06	EX8	DGJ		
		1	2, 6	L	11, 12, 14, 15, 16	EX8	DGJ		
		1	2, 6	L	51, 52, 54, 55, 56	EX8	DGJ		
-29									FUSE

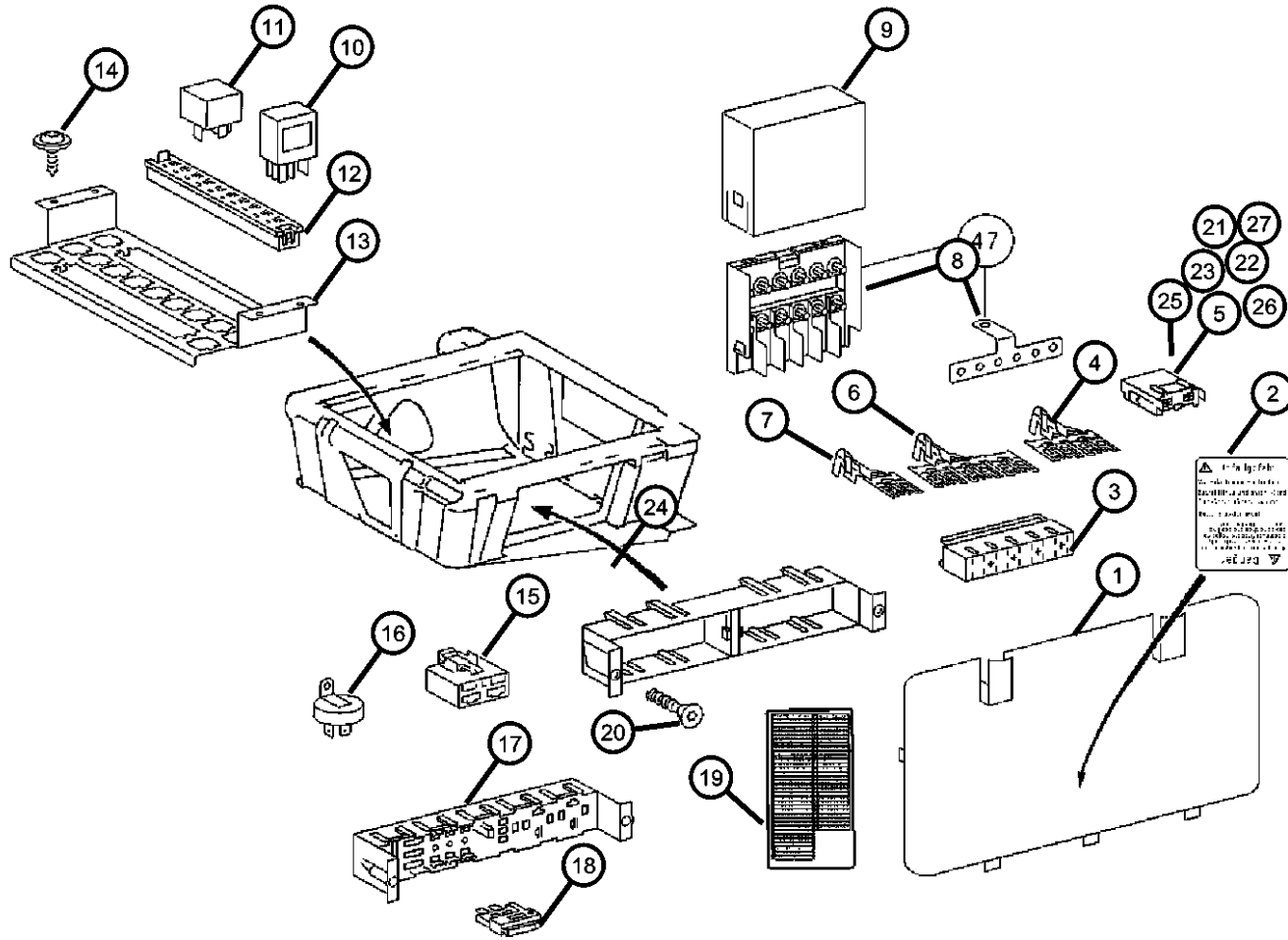
SPRINTER (VA)

SERIES	LINE	BODY	ENGINE	TRANSMISSION
L = LOWLINE	3 = HD DODGE 2WD 8 = HD DODGE 4WD 6 = Lt. Duty DODGE 4WD 2 = Med. Duty DODGE 2WD 7 = Med. Duty DODGE 4WD 4 = TRUCK	12 = Van 140" 51 = Wagon 118" 52 = Wagon 140" 14 = Van 118" 15 = Van 140" 16 = Van 158" 54 = Wagon 118" 55 = Wagon 140" 56 = Wagon 158" 01 = Chassis Forward Control 118" 02 = Chassis Forward Control 140" 06 = Front Section 158" 11 = Van 118"	EX8 = Engine - 2.7L I5 Mercedes-Benz TD	DGJ = Transmission - 5-Spd Auto, MB

AR = use ase required - = Non illustrated part

Under Seat - Relays & Fuses
Figure 8-505

ITEM	PART NUMBER	QTY	LINE	SERIES	BODY	ENGINE	TRANS	TRIM	DESCRIPTION
	05104599AA	99	2, 6	L	01, 02, 06	EX8	DGJ		100 AMP
		99	2, 6	L	11, 12, 14, 15, 16	EX8	DGJ		100 AMP
		99	2, 6	L	51, 52, 54, 55, 56	EX8	DGJ		100 AMP
		99	3, 7	L	02, 06	EX8	DGJ		100 AMP
		99	3, 7	L	12, 15, 16	EX8	DGJ		100 AMP

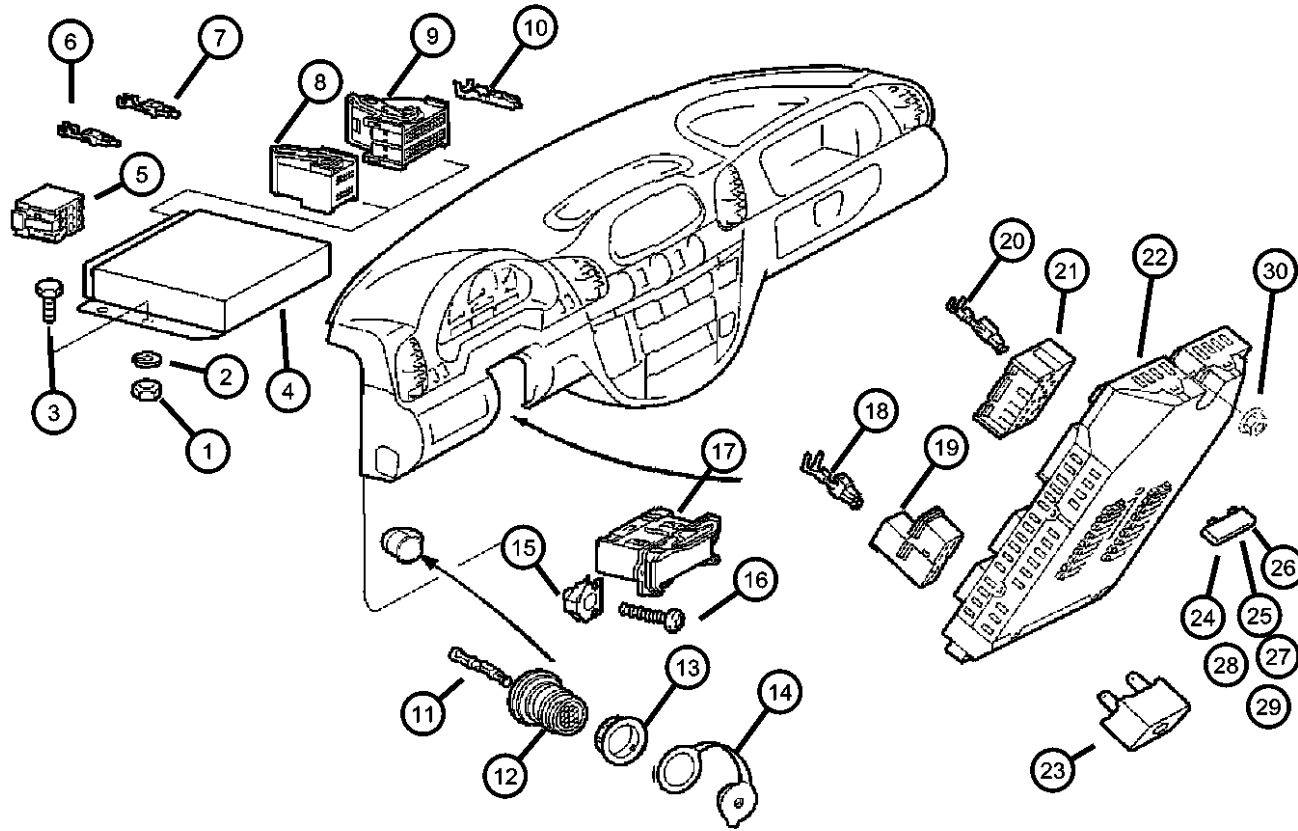


SPRINTER (VA)

SERIES	LINE	BODY	ENGINE	TRANSMISSION
L = LOWLINE	3 = HD DODGE 2WD 8 = HD DODGE 4WD 6 = Lt. Duty DODGE 4WD 2 = Med. Duty DODGE 2WD 7 = Med. Duty DODGE 4WD 4 = TRUCK	12 = Van 140" 51 = Wagon 118" 52 = Wagon 140" 14 = Van 118" 15 = Van 140" 16 = Van 158" 54 = Wagon 118" 55 = Wagon 140" 56 = Wagon 158" 01 = Chassis Forward Control 118" 02 = Chassis Forward Control 140" 06 = Front Section 158" 11 = Van 118"	EX8 = Engine - 2.7L I5 Mercedes-Benz TD	DGJ = Transmission - 5-Spd Auto, MB

AR = use ase required - = Non illustrated part

Instrument Panel - Relays & Fuses
Figure 8-510



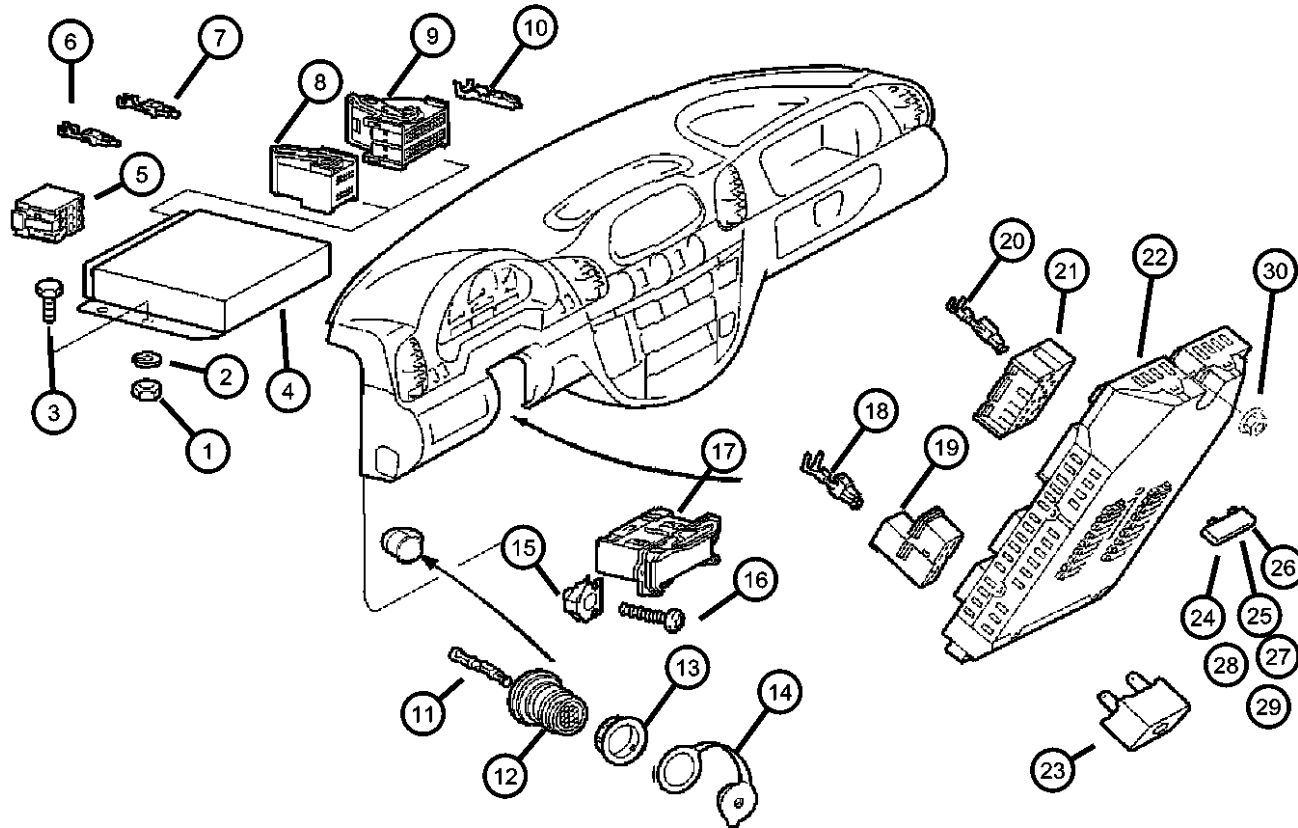
ITEM	PART NUMBER	QTY	LINE	SERIES	BODY	ENGINE	TRANS	TRIM	DESCRIPTION
1	05126198AA	4	2, 6	L	01, 02, 06	EX8	DGJ		BOLT, M6x20
		4	2, 6	L	11, 12, 14, 15, 16	EX8	DGJ		
		4	2, 6	L	51, 52, 54, 55, 56	EX8	DGJ		
		4	3, 7	L	02, 06	EX8	DGJ		
		4	3, 7	L	12, 15, 16	EX8	DGJ		
2		4							NUT, Hex, (NOT SERVICED)
3	05126240AA	1	3, 7	L	02, 06	EX8	DGJ		LOCK WASHER
		1	2, 6	L	01, 02, 06	EX8	DGJ		
		1	2, 6	L	11, 12, 14, 15, 16	EX8	DGJ		
		1	2, 6	L	51, 52, 54, 55, 56	EX8	DGJ		
		1	3, 7	L	12, 15, 16	EX8	DGJ		
4	05142780AA	1	2, 6	L	01, 02, 06	EX8	DGJ		MODULE, Powertrain Control
		1	2, 6	L	11, 12, 14, 15, 16	EX8	DGJ		
		1	2, 6	L	51, 52, 54, 55, 56	EX8	DGJ		
		1	3, 7	L	02, 06	EX8	DGJ		
		1	3, 7	L	12, 15, 16	EX8	DGJ		
5	05120752AA	1	3, 7	L	12, 15, 16	EX8	DGJ		CONNECTOR
		1	2, 6	L	01, 02, 06	EX8	DGJ		
		1	6, 2	L	11, 12, 14, 15, 16	EX8	DGJ		
		1	2, 6	L	51, 52, 54, 55, 56	EX8	DGJ		
		1	3, 7	L	02, 06	EX8	DGJ		

SPRINTER (VA)

SERIES	LINE	BODY	ENGINE	TRANSMISSION
L = LOWLINE	3 = HD DODGE 2WD 8 = HD DODGE 4WD 6 = Lt. Duty DODGE 4WD 2 = Med. Duty DODGE 2WD 7 = Med. Duty DODGE 4WD 4 = TRUCK	12 = Van 140" 51 = Wagon 118" 52 = Wagon 140" 14 = Van 118" 15 = Van 140" 16 = Van 158" 54 = Wagon 118" 55 = Wagon 140" 56 = Wagon 158" 01 = Chassis Forward Control 118" 02 = Chassis Forward Control 140" 06 = Front Section 158" 11 = Van 118"	EX8 = Engine - 2.7L I5 Mercedes-Benz TD	DGJ = Transmission - 5-Spd Auto, MB

AR = use ase required - = Non illustrated part

Instrument Panel - Relays & Fuses
Figure 8-510



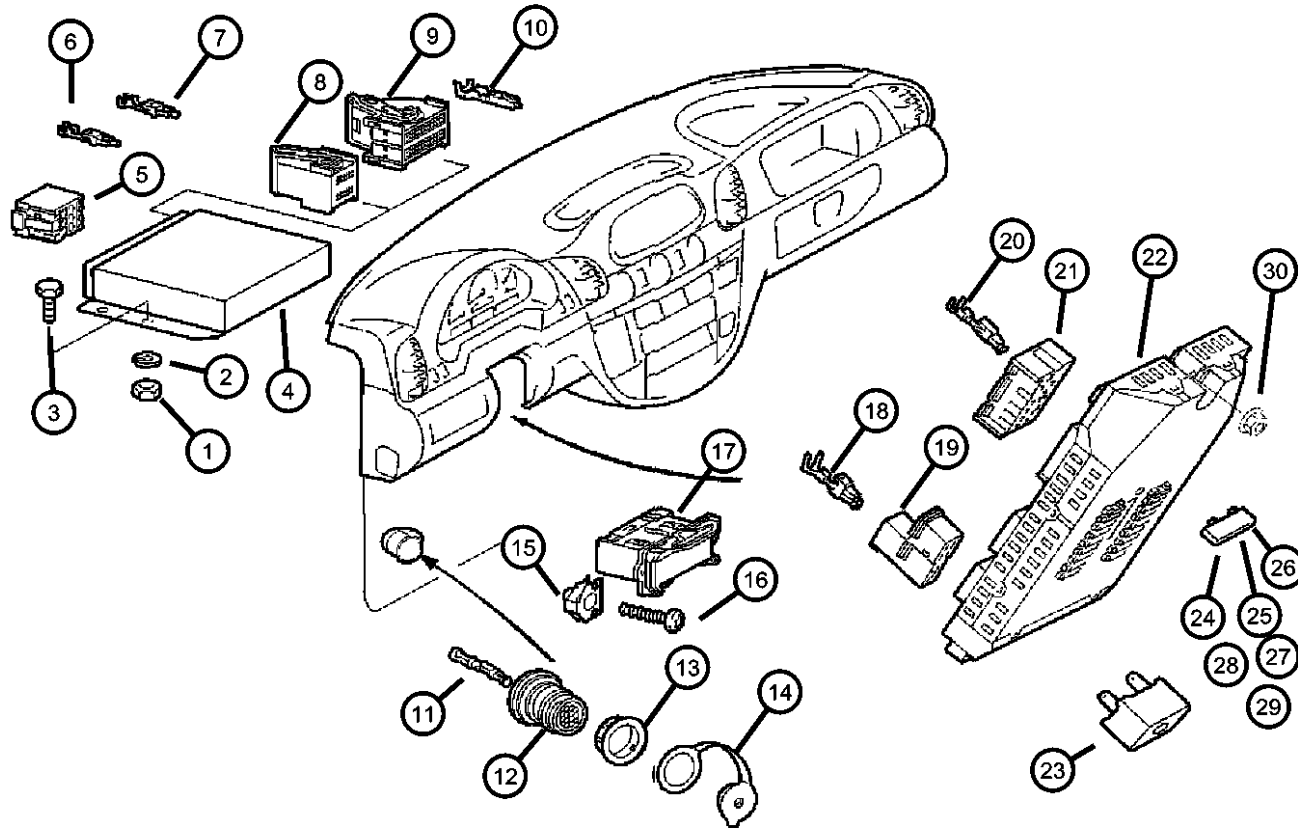
ITEM	PART NUMBER	QTY	LINE	SERIES	BODY	ENGINE	TRANS	TRIM	DESCRIPTION
6	05133372AA	1	2, 6	L	01, 02, 06	EX8	DGJ		TERMINAL
		1	2, 6	L	11, 12, 14, 15, 16	EX8	DGJ		
		1	2, 6	L	51, 52, 54, 55, 56	EX8	DGJ		
		1	3, 7	L	02, 06	EX8	DGJ		
		1	3, 7	L	12, 15, 16	EX8	DGJ		
7	05103882AA	1	3, 7	L	02, 06	EX8	DGJ		TERMINAL
		1	2, 6	L	01, 02, 06	EX8	DGJ		
		1	2, 6	L	11, 12, 14, 15, 16	EX8	DGJ		
		1	2, 6	L	51, 52, 54, 55, 56	EX8	DGJ		
		1	3, 7	L	12, 15, 16	EX8	DGJ		
8	05120753AA	1	3, 7	L	12, 15, 16	EX8	DGJ		CONNECTOR
		1	2, 6	L	01, 02, 06	EX8	DGJ		
		1	2, 6	L	11, 12, 14, 15, 16	EX8	DGJ		
		1	2, 6	L	51, 52, 54, 55, 56	EX8	DGJ		
		1	3, 7	L	02, 06	EX8	DGJ		
9	05120754AA	1	2, 6	L	01, 02, 06	EX8	DGJ		CONNECTOR
		1	2, 6	L	11, 12, 14, 15, 16	EX8	DGJ		
		1	2, 6	L	51, 52, 54, 55, 56	EX8	DGJ		
		1	3, 7	L	02, 06	EX8	DGJ		
		1	3, 7	L	12, 15, 16	EX8	DGJ		

SPRINTER (VA)

SERIES	LINE	BODY	ENGINE	TRANSMISSION
L = LOWLINE	3 = HD DODGE 2WD 8 = HD DODGE 4WD 6 = Lt. Duty DODGE 4WD 2 = Med. Duty DODGE 2WD 7 = Med. Duty DODGE 4WD 4 = TRUCK	12 = Van 140" 51 = Wagon 118" 52 = Wagon 140" 14 = Van 118" 15 = Van 140" 16 = Van 158" 54 = Wagon 118" 55 = Wagon 140" 56 = Wagon 158" 01 = Chassis Forward Control 118" 02 = Chassis Forward Control 140" 06 = Front Section 158" 11 = Van 118"	EX8 = Engine - 2.7L I5 Mercedes-Benz TD	DGJ = Transmission - 5-Spd Auto, MB

AR = use ase required - = Non illustrated part

Instrument Panel - Relays & Fuses
Figure 8-510



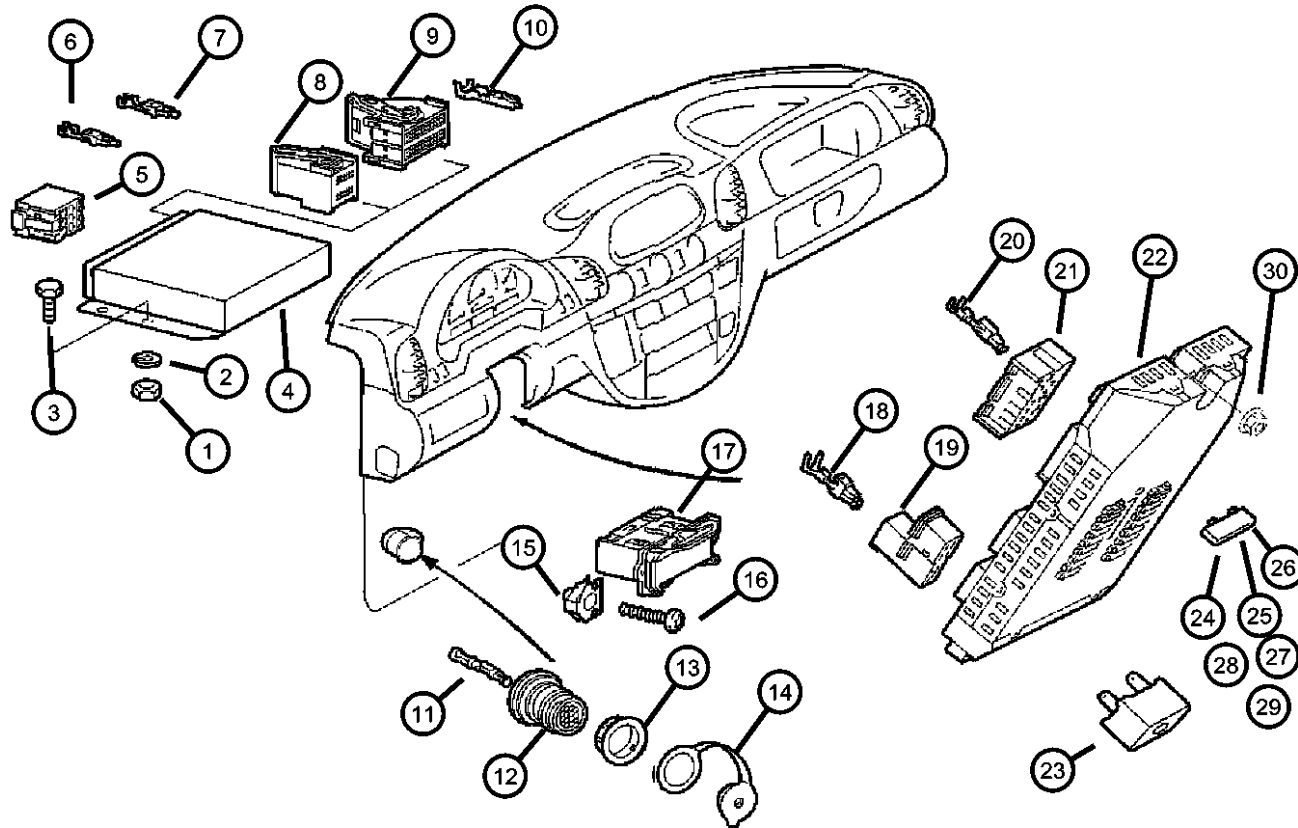
ITEM	PART NUMBER	QTY	LINE	SERIES	BODY	ENGINE	TRANS	TRIM	DESCRIPTION
10	05103874AA	99	2, 6	L	01, 02, 06	EX8	DGJ		TERMINAL
		99	2, 6	L	11, 12, 14, 15, 16	EX8	DGJ		
		99	2, 6	L	51, 52, 54, 55, 56	EX8	DGJ		
		99	3, 7	L	02, 06	EX8	DGJ		
		99	3, 7	L	12, 15, 16	EX8	DGJ		
11	05133383AB	1	2, 6	L	11, 12, 14, 15, 16				TERMINAL
		1	2, 6	L	51, 52, 54, 55, 56				
		1	2, 6	L	01, 02, 06				
		1	3, 7	L	12, 15, 16				
12	05120544AA	1	3, 7	L	12, 15, 16	EX8	DGJ		CONNECTOR
		1	2, 6	L	01, 02, 06	EX8	DGJ		
		1	2, 6	L	11, 12, 14, 15, 16	EX8	DGJ		
		1	2, 6	L	51, 52, 54, 55, 56	EX8	DGJ		
		1	3, 7	L	02, 06	EX8	DGJ		
13	05120226AA	1	2, 6	L	01, 02, 06	EX8	DGJ		STRAP, Ground
		1	2, 6	L	11, 12, 14, 15, 16	EX8	DGJ		
		1	2, 6	L	51, 52, 54, 55, 56	EX8	DGJ		
		1	3, 7	L	02, 06	EX8	DGJ		
		1	3, 7	L	12, 15, 16	EX8	DGJ		
14									PLUG, Wiring

SPRINTER (VA)

SERIES	LINE	BODY	ENGINE	TRANSMISSION
L = LOWLINE	3 = HD DODGE 2WD 8 = HD DODGE 4WD 6 = Lt. Duty DODGE 4WD 2 = Med. Duty DODGE 2WD 7 = Med. Duty DODGE 4WD 4 = TRUCK	12 = Van 140" 51 = Wagon 118" 52 = Wagon 140" 14 = Van 118" 15 = Van 140" 16 = Van 158" 54 = Wagon 118" 55 = Wagon 140" 56 = Wagon 158" 01 = Chassis Forward Control 118" 02 = Chassis Forward Control 140" 06 = Front Section 158" 11 = Van 118"	EX8 = Engine - 2.7L I5 Mercedes-Benz TD	DGJ = Transmission - 5-Spd Auto, MB

AR = use ase required - = Non illustrated part

Instrument Panel - Relays & Fuses
Figure 8-510



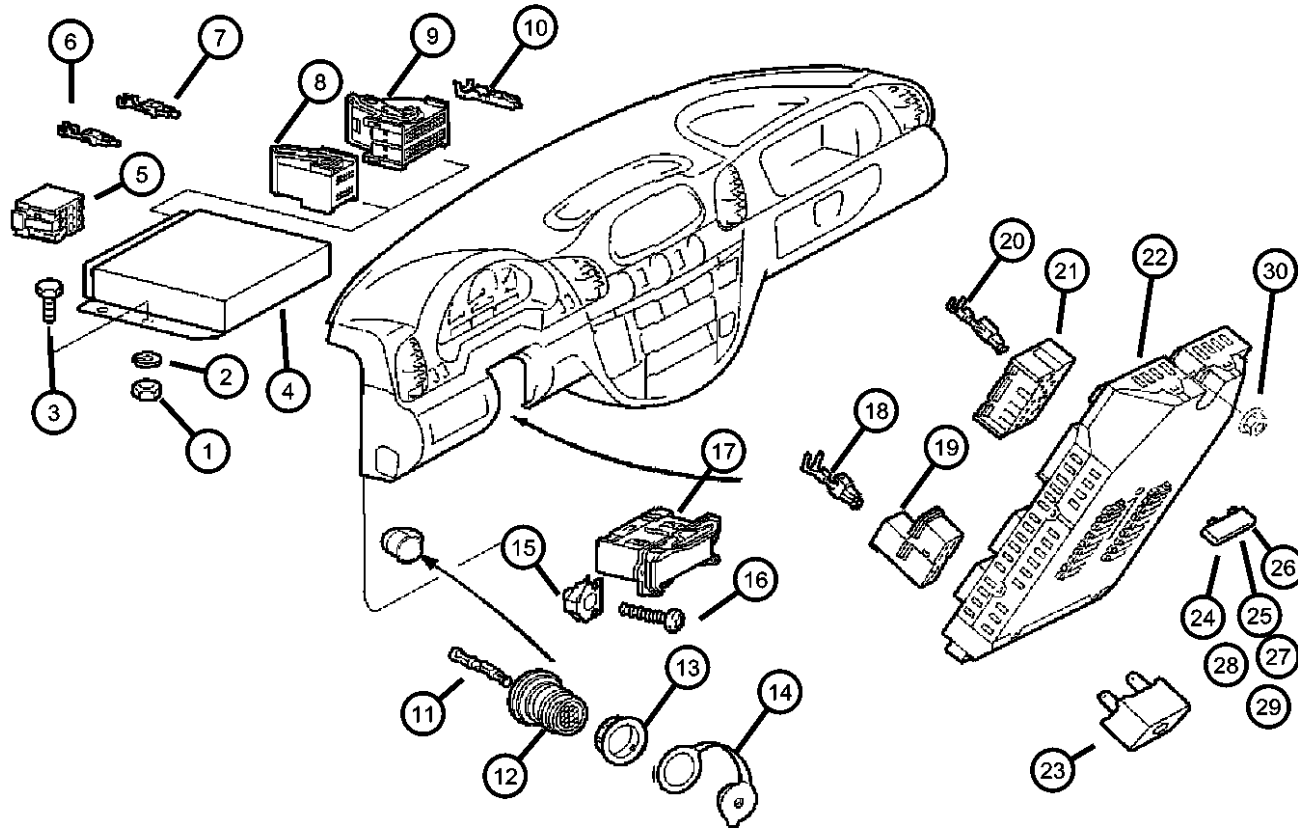
ITEM	PART NUMBER	QTY	LINE	SERIES	BODY	ENGINE	TRANS	TRIM	DESCRIPTION
	05103747AA	1	3, 7	L	02, 06				
		1	3, 7	L	12, 15, 16				
		1	2, 6	L	01, 02, 06				
		1	2, 6	L	11, 12, 14, 15, 16				
		1	2, 6	L	51, 52, 54, 55, 56				
15									NUT, Spring
	05125861AA	2	3, 7	L	02, 06	EX8	DGJ		
		2	2, 6	L	01, 02, 06	EX8	DGJ		
		2	2, 6	L	11, 12, 14, 15, 16	EX8	DGJ		
		2	2, 6	L	51, 52, 54, 55, 56	EX8	DGJ		
		2	3, 7	L	12, 15, 16	EX8	DGJ		
16									SCREW
	06104496AA	2	3, 7	L	02, 06	EX8	DGJ		
		2	2, 6	L	01, 02, 06	EX8	DGJ		
		2	2, 6	L	11, 12, 14, 15, 16	EX8	DGJ		
		2	2, 6	L	51, 52, 54, 55, 56	EX8	DGJ		
		2	3, 7	L	12, 15, 16	EX8	DGJ		
17									BRACKET, Diagnostic Module
	05098297AA	1	3, 7	L	12, 15, 16	EX8	DGJ		
		1	2, 6	L	01, 02, 06	EX8	DGJ		
		1	2, 6	L	11, 12, 14, 15, 16	EX8	DGJ		
		1	2, 6	L	51, 52, 54, 55, 56	EX8	DGJ		
		1	3, 7	L	02, 06	EX8	DGJ		
18									TERMINAL

SPRINTER (VA)

SERIES	LINE	BODY	ENGINE	TRANSMISSION
L = LOWLINE	3 = HD DODGE 2WD 8 = HD DODGE 4WD 6 = Lt. Duty DODGE 4WD 2 = Med. Duty DODGE 2WD 7 = Med. Duty DODGE 4WD 4 = TRUCK	12 = Van 140" 51 = Wagon 118" 52 = Wagon 140" 14 = Van 118" 15 = Van 140" 16 = Van 158" 54 = Wagon 118" 55 = Wagon 140" 56 = Wagon 158" 01 = Chassis Forward Control 118" 02 = Chassis Forward Control 140" 06 = Front Section 158" 11 = Van 118"	EX8 = Engine - 2.7L I5 Mercedes-Benz TD	DGJ = Transmission - 5-Spd Auto, MB

AR = use ase required - = Non illustrated part

Instrument Panel - Relays & Fuses
Figure 8-510



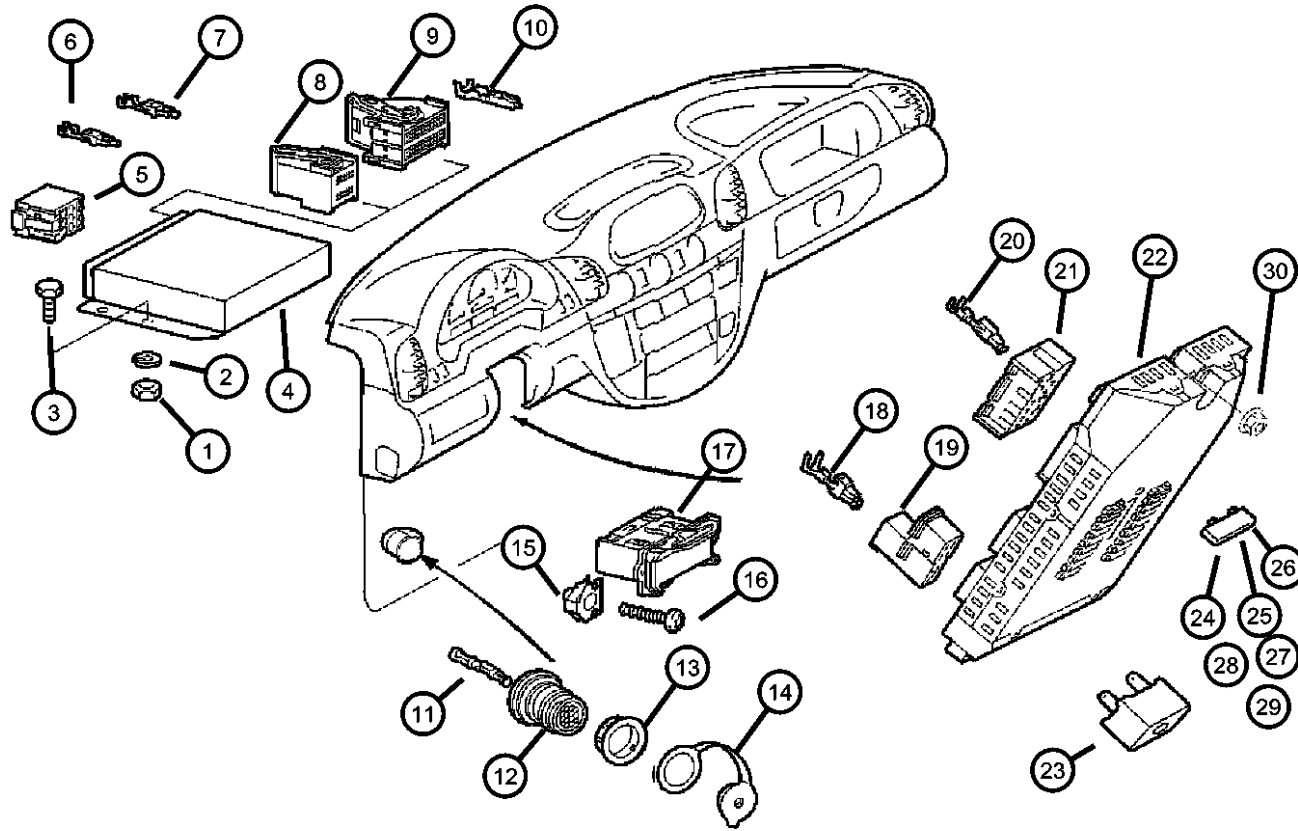
ITEM	PART NUMBER	QTY	LINE	SERIES	BODY	ENGINE	TRANS	TRIM	DESCRIPTION
	05133372AA	1	2, 6	L	01, 02, 06	EX8	DGJ		
		1	2, 6	L	11, 12, 14, 15, 16	EX8	DGJ		
		1	2, 6	L	51, 52, 54, 55, 56	EX8	DGJ		
		1	3, 7	L	02, 06	EX8	DGJ		
		1	3, 7	L	12, 15, 16	EX8	DGJ		
19									CONNECTOR
	05120555AA	1	2, 6	L	01, 02, 06	EX8	DGJ		
		1	2, 6	L	11, 12, 14, 15, 16	EX8	DGJ		
		1	2, 6	L	51, 52, 54, 55, 56	EX8	DGJ		
		1	3, 7	L	02, 06	EX8	DGJ		
		1	3, 7	L	12, 15, 16	EX8	DGJ		
20									TERMINAL
	05103893AA	99	2, 6	L	11, 12, 14, 15, 16	EX8	DGJ		
		99	2, 6	L	51, 52, 54, 55, 56	EX8	DGJ		
		99	3, 7	L	02, 06	EX8	DGJ		
		99	2, 6	L	01, 02, 06	EX8	DGJ		
		99	3, 7	L	12, 15, 16	EX8	DGJ		
21									CONNECTOR
	05120646AA	1	2, 6	L	01, 02, 06	EX8	DGJ		
		1	2, 6	L	11, 12, 14, 15, 16	EX8	DGJ		
		1	2, 6	L	51, 52, 54, 55, 56	EX8	DGJ		
		1	3, 7	L	02, 06	EX8	DGJ		
		1	3, 7	L	12, 15, 16	EX8	DGJ		
22									BLOCK, Fuse

SPRINTER (VA)

SERIES	LINE	BODY	ENGINE	TRANSMISSION
L = LOWLINE	3 = HD DODGE 2WD 8 = HD DODGE 4WD 6 = Lt. Duty DODGE 4WD 2 = Med. Duty DODGE 2WD 7 = Med. Duty DODGE 4WD 4 = TRUCK	12 = Van 140" 51 = Wagon 118" 52 = Wagon 140" 14 = Van 118" 15 = Van 140" 16 = Van 158" 54 = Wagon 118" 55 = Wagon 140" 56 = Wagon 158" 01 = Chassis Forward Control 118" 02 = Chassis Forward Control 140" 06 = Front Section 158" 11 = Van 118"	EX8 = Engine - 2.7L I5 Mercedes-Benz TD	DGJ = Transmission - 5-Spd Auto, MB

AR = use ase required - = Non illustrated part

Instrument Panel - Relays & Fuses
Figure 8-510



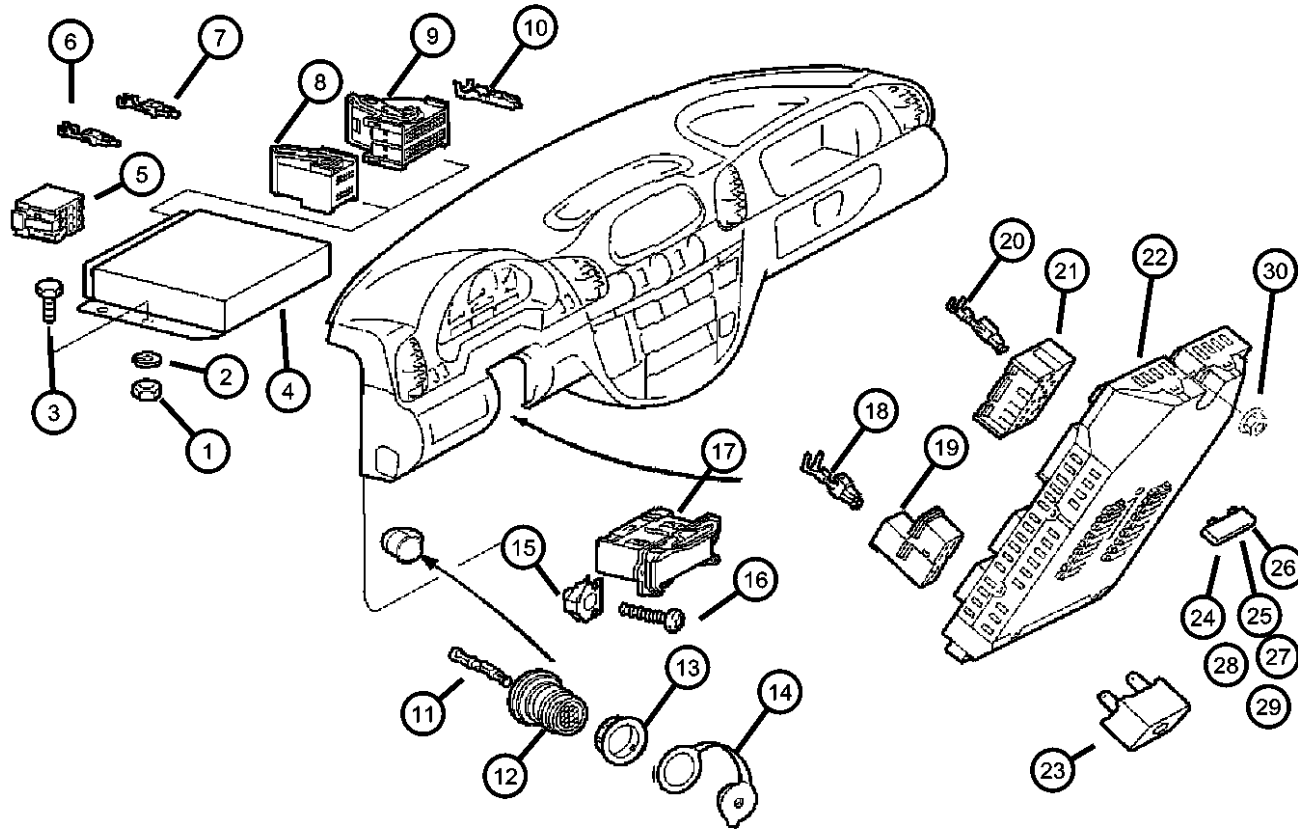
ITEM	PART NUMBER	QTY	LINE	SERIES	BODY	ENGINE	TRANS	TRIM	DESCRIPTION
	05120244AA	1	2, 6	L	11, 12, 14, 15, 16	EX8	DGJ		
		1	2, 6	L	51, 52, 54, 55, 56	EX8	DGJ		
		1	3, 7	L	02, 06	EX8	DGJ		
		1	2, 6	L	01, 02, 06	EX8	DGJ		
		1	3, 7	L	12, 15, 16	EX8	DGJ		
23									RELAY
	05103746AA	1	2, 6	L	11, 12, 14, 15, 16				
		1	2, 6	L	51, 52, 54, 55, 56				
		1	3, 7	L	12, 15, 16				
24									FUSE, Standard, 10 AMP, Red
	05104643AA	99	2, 6	L	01, 02, 06	EX8	DGJ		
		99	2, 6	L	11, 12, 14, 15, 16	EX8	DGJ		
		99	2, 6	L	51, 52, 54, 55, 56	EX8	DGJ		
		99	3, 7	L	02, 06	EX8	DGJ		
		99	3, 7	L	12, 15, 16	EX8	DGJ		
25									FUSE
	05104604AA	1	2, 6	L	11, 12, 14, 15, 16	EX8	DGJ		20 AMP
		1	2, 6	L	51, 52, 54, 55, 56	EX8	DGJ		20 AMP
		1	3, 7	L	02, 06	EX8	DGJ		20 AMP
		1	2, 6	L	01, 02, 06	EX8	DGJ		20 AMP
		1	3, 7	L	12, 15, 16	EX8	DGJ		20 AMP
26									FUSE
	05104606AA	1	3, 7	L	12, 15, 16	EX8	DGJ		40 AMP
	05104644AA	99	2, 6	L	01, 02, 06	EX8	DGJ		25 AMP

SPRINTER (VA)

SERIES	LINE	BODY	ENGINE	TRANSMISSION
L = LOWLINE	3 = HD DODGE 2WD 8 = HD DODGE 4WD 6 = Lt. Duty DODGE 4WD 2 = Med. Duty DODGE 2WD 7 = Med. Duty DODGE 4WD 4 = TRUCK	12 = Van 140" 51 = Wagon 118" 52 = Wagon 140" 14 = Van 118" 15 = Van 140" 16 = Van 158" 54 = Wagon 118" 55 = Wagon 140" 56 = Wagon 158" 01 = Chassis Forward Control 118" 02 = Chassis Forward Control 140" 06 = Front Section 158" 11 = Van 118"	EX8 = Engine - 2.7L I5 Mercedes-Benz TD	DGJ = Transmission - 5-Spd Auto, MB

AR = use ase required - = Non illustrated part

Instrument Panel - Relays & Fuses
Figure 8-510



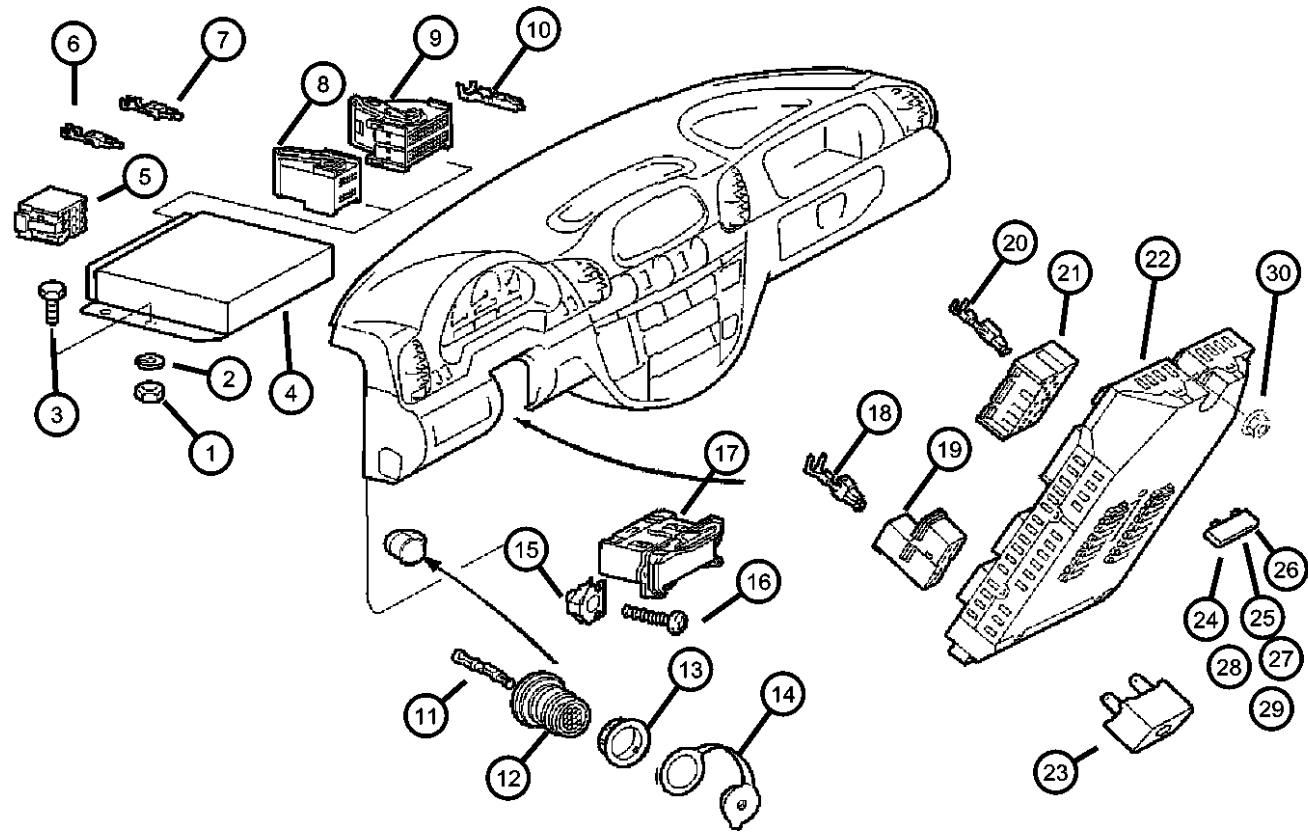
ITEM	PART NUMBER	QTY	LINE	SERIES	BODY	ENGINE	TRANS	TRIM	DESCRIPTION
		99	2, 6	L	11, 12, 14, 15, 16	EX8	DGJ		25 AMP
	05104605AA	1	2, 6	L	01, 02, 06	EX8	DGJ		30 AMP
		1	2, 6	L	11, 12, 14, 15, 16	EX8	DGJ		30 AMP
		1	2, 6	L	51, 52, 54, 55, 56	EX8	DGJ		30 AMP
		1	3, 7	L	02, 06	EX8	DGJ		30 AMP
		1	3, 7	L	12, 15, 16	EX8	DGJ		30 AMP
		1	2, 6	L	01, 02, 06	EX8	DGJ		40 AMP
		1	2, 6	L	11, 12, 14, 15, 16	EX8	DGJ		40 AMP
		1	2, 6	L	51, 52, 54, 55, 56	EX8	DGJ		40 AMP
		1	3, 7	L	02, 06	EX8	DGJ		40 AMP
		99	2, 6	L	51, 52, 54, 55, 56	EX8	DGJ		25 AMP
		99	3, 7	L	02, 06	EX8	DGJ		25 AMP
		99	3, 7	L	12, 15, 16	EX8	DGJ		25 AMP
27									FUSE, Standard, 15 AMP, Light Blue
	05101467AA	99	3, 7	L	02, 06	EX8	DGJ		
		99	3, 7	L	12, 15, 16	EX8	DGJ		
		99	2, 6	L	01, 02, 06	EX8	DGJ		
		99	2, 6	L	11, 12, 14, 15, 16	EX8	DGJ		
		99	2, 6	L	51, 52, 54, 55, 56	EX8	DGJ		
28									FUSE, Blade Type, 7.5 AMP
	05103799AA	99	2, 6	L	01, 02, 06	EX8	DGJ		
		99	2, 6	L	11, 12, 14, 15, 16	EX8	DGJ		
		99	2, 6	L	51, 52, 54, 55, 56	EX8	DGJ		

SPRINTER (VA)

SERIES	LINE	BODY	ENGINE	TRANSMISSION
L = LOWLINE	3 = HD DODGE 2WD 8 = HD DODGE 4WD 6 = Lt. Duty DODGE 4WD 2 = Med. Duty DODGE 2WD 7 = Med. Duty DODGE 4WD 4 = TRUCK	12 = Van 140" 51 = Wagon 118" 52 = Wagon 140" 14 = Van 118" 15 = Van 140" 16 = Van 158" 54 = Wagon 118" 55 = Wagon 140" 56 = Wagon 158" 01 = Chassis Forward Control 118" 02 = Chassis Forward Control 140" 06 = Front Section 158" 11 = Van 118"	EX8 = Engine - 2.7L I5 Mercedes-Benz TD	DGJ = Transmission - 5-Spd Auto, MB

AR = use ase required - = Non illustrated part

Instrument Panel - Relays & Fuses
Figure 8-510



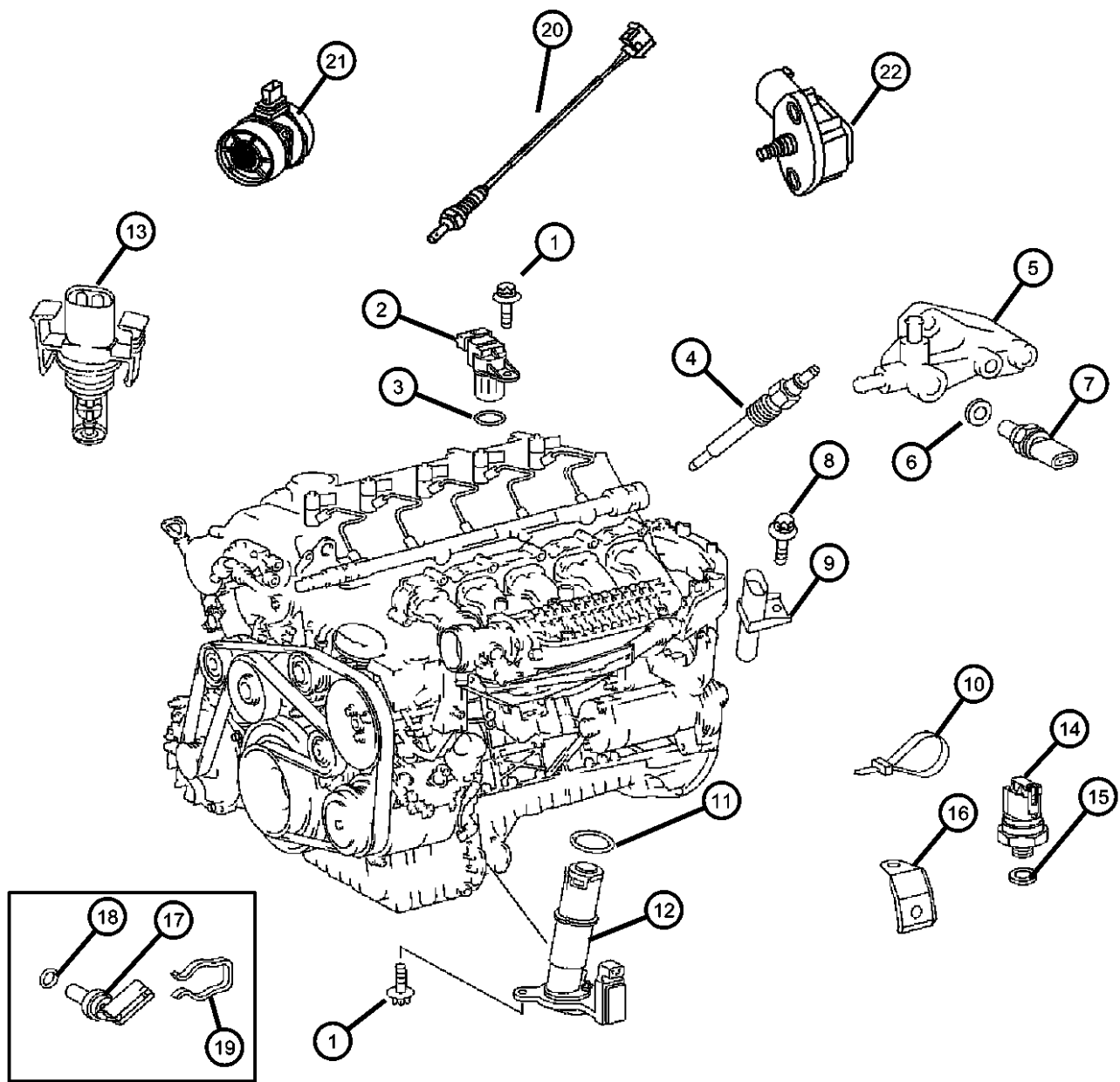
ITEM	PART NUMBER	QTY	LINE	SERIES	BODY	ENGINE	TRANS	TRIM	DESCRIPTION
		99	3, 7	L	02, 06	EX8	DGJ		
		99	3, 7	L	12, 15, 16	EX8	DGJ		
29	05138903AA	1	2, 6	L	11, 12, 14, 15, 16	EX8	DGJ		FUSE, Standard, 7.5 AMP, Brown
		1	2, 6	L	51, 52, 54, 55, 56	EX8	DGJ		
		1	3, 7	L	12, 15, 16	EX8	DGJ		
30	05097674AA	2	2, 6	L	01, 02, 06	EX8	DGJ		NUT, Hex
		2	2, 6	L	11, 12, 14, 15, 16	EX8	DGJ		
		2	2, 6	L	51, 52, 54, 55, 56	EX8	DGJ		
		2	3, 7	L	02, 06	EX8	DGJ		
		2	3, 7	L	12, 15, 16	EX8	DGJ		

SPRINTER (VA)

SERIES	LINE	BODY	ENGINE	TRANSMISSION
L = LOWLINE	3 = HD DODGE 2WD 8 = HD DODGE 4WD 6 = Lt. Duty DODGE 4WD 2 = Med. Duty DODGE 2WD 7 = Med. Duty DODGE 4WD 4 = TRUCK	12 = Van 140" 51 = Wagon 118" 52 = Wagon 140" 14 = Van 118" 15 = Van 140" 16 = Van 158" 54 = Wagon 118" 55 = Wagon 140" 56 = Wagon 158" 01 = Chassis Forward Control 118" 02 = Chassis Forward Control 140" 06 = Front Section 158" 11 = Van 118"	EX8 = Engine - 2.7L I5 Mercedes-Benz TD	DGJ = Transmission - 5-Spd Auto, MB

AR = use ase required - = Non illustrated part

Sensors Engine
Figure 8-605



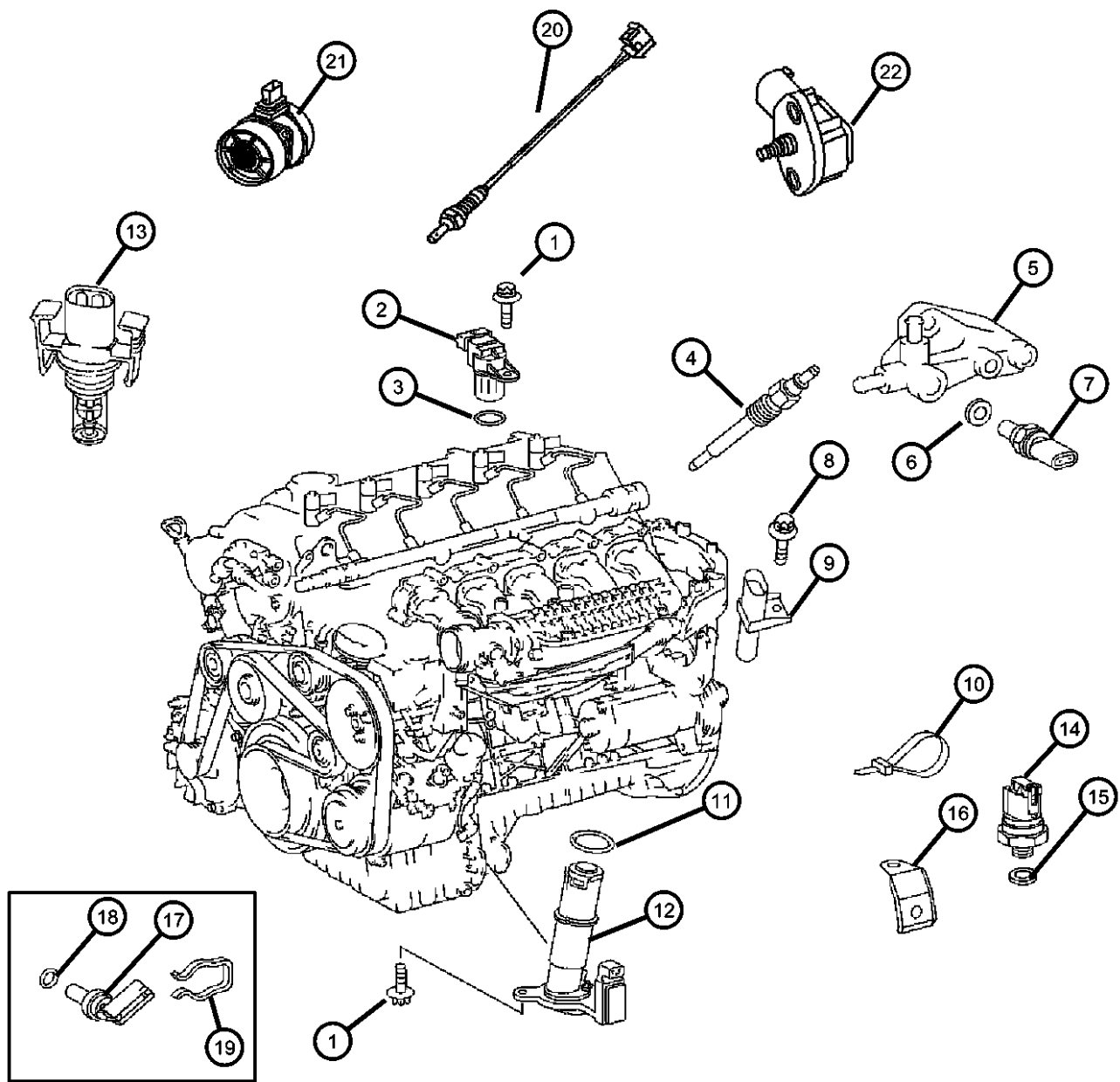
ITEM	PART NUMBER	QTY	LINE	SERIES	BODY	ENGINE	TRANS	TRIM	DESCRIPTION
1	06104682AA	1	6, 7, 2, 3	L		EX8	DGJ		SCREW
2	05080346AA	1	2, 3, 6, 7	L		EX8	DGJ		SENSOR, Camshaft
3	05080348AA	1	2, 3, 6, 7	L		EX8	DGJ		O RING
4	05117592AA	5	2, 3, 6, 7	L		EX8	DGJ		PLUG, Glow
5	05117592AA	5							BRACKET, (NOT SERVICED)
6									WASHER, Banjo
	06507454AA	4	2, 6	L	01, 02, 06	EX8	DGJ		
		4	2, 6	L	11, 12, 14, 15, 16	EX8	DGJ		
		4	6, 2	L	51, 52, 54, 55, 56	EX8	DGJ		
		4	3, 7	L	02, 06	EX8	DGJ		
		4	3, 7	L	12, 15, 16	EX8	DGJ		
7	05103534AB	1	2, 3, 6, 7	L		EX8	DGJ		SENDING UNIT, Temperature Gauge
8									SCREW
	06104076AA	1	2, 6	L	01, 02, 06	EX8	DGJ		
		1	2, 6	L	11, 12, 14, 15, 16	EX8	DGJ		
		1	2, 6	L	51, 52, 54, 55, 56	EX8	DGJ		
		1	3, 7	L	02, 06	EX8	DGJ		
		1	3, 7	L	12, 15, 16	EX8	DGJ		
9	05080352AA	1	2, 3, 6, 7	L		EX8	DGJ		SENSOR, Crankshaft
10									STRAP, Tie
	05080475AB	1	2, 6	L	01, 02, 06	EX8	DGJ		
		1	2, 6	L	11, 12, 14, 15, 16	EX8	DGJ		
		1	2, 6	L	51, 52, 54, 55, 56	EX8	DGJ		
		1	3, 7	L	02, 06	EX8	DGJ		
		1	3, 7	L	12, 15, 16	EX8	DGJ		

SPRINTER (VA)

SERIES	LINE	BODY	ENGINE	TRANSMISSION
L = LOWLINE	3 = HD DODGE 2WD 8 = HD DODGE 4WD 6 = Lt. Duty DODGE 4WD 2 = Med. Duty DODGE 2WD 7 = Med. Duty DODGE 4WD 4 = TRUCK	12 = Van 140" 51 = Wagon 118" 52 = Wagon 140" 14 = Van 118" 15 = Van 140" 16 = Van 158" 54 = Wagon 118" 55 = Wagon 140" 56 = Wagon 158" 01 = Chassis Forward Control 118" 02 = Chassis Forward Control 140" 06 = Front Section 158" 11 = Van 118"	EX8 = Engine - 2.7L I5 Mercedes-Benz TD	DGJ = Transmission - 5-Spd Auto, MB

AR = use ase required - = Non illustrated part

Sensors Engine
Figure 8-605



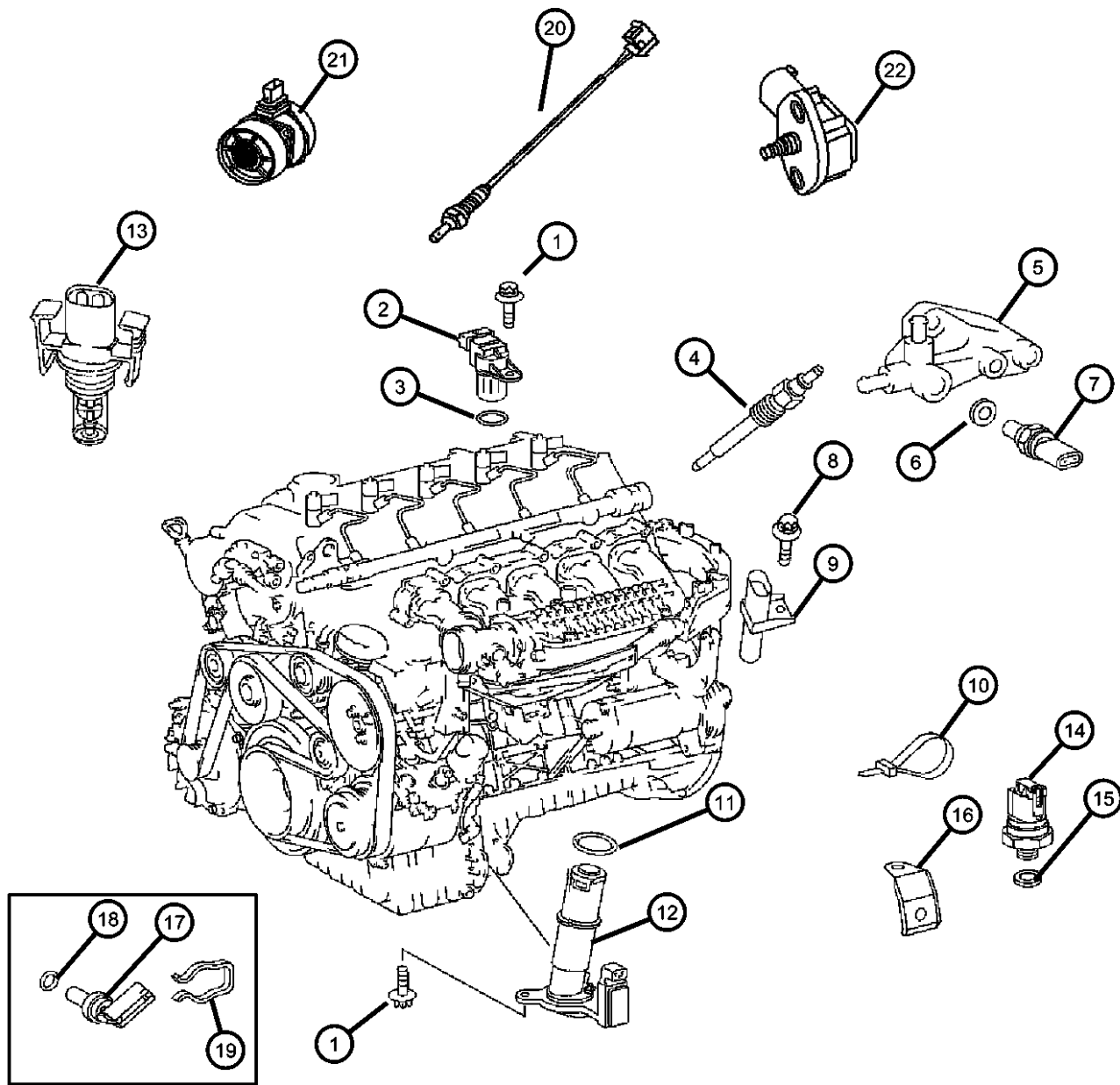
ITEM	PART NUMBER	QTY	LINE	SERIES	BODY	ENGINE	TRANS	TRIM	DESCRIPTION
11	05103567AA	1	2, 3, 6, 7	L		EX8	DGJ		SEAL RING
12	05117544AA	1	2, 3, 6, 7	L		EX8	DGJ		SENDING UNIT, Oil Pressure
13									SENSOR, Temperature
	05174042AA	1	2, 6	L	01, 02, 06	EX8	DGJ		Air Intake Temperture
		1	2, 6	L	11, 12, 14, 15, 16	EX8	DGJ		Air Intake Temperture
		1	2, 6	L	51, 52, 54, 55, 56	EX8	DGJ		Air Intake Temperture
		1	3, 7	L	02, 06	EX8	DGJ		Air Intake Temperture
		1	3, 7	L	12, 15, 16	EX8	DGJ		Air Intake Temperture
14	05117544AA	1	2, 3, 6, 7	L		EX8	DGJ		SENDING UNIT, Oil Pressure
15									WASHER
	05104638AA	99	2, 6	L	11, 12, 14, 15, 16	EX8	DGJ		
		99	2, 6	L	51, 52, 54, 55, 56	EX8	DGJ		
16	05096466AA	1	2, 3, 6, 7	L		EX8	DGJ		BRACKET, Wiring
17	05080147AA	1	2, 3, 6, 7	L		EX8	DGJ		SENDING UNIT, Temperature Gauge
18	05080148AA	1	2, 3, 6, 7	L		EX8	DGJ		O RING
19	05080149AA	1	2, 3, 6, 7	L		EX8	DGJ		CLIP
20									SENSOR, Oxygen
	05135667AA	1	2, 6	L	01, 02, 06	EX8	DGJ		
		1	2, 6	L	11, 12, 14, 15, 16	EX8	DGJ		
		1	2, 6	L	51, 52, 54, 55, 56	EX8	DGJ		
		1	3, 7	L	02, 06	EX8	DGJ		
		1	3, 7	L	12, 15, 16	EX8	DGJ		
21									SENSOR, Mass Airflow
	05117501AA	1	2, 6	L	51, 52, 54, 55, 56	EX8	DGJ		

SPRINTER (VA)

SERIES	LINE	BODY	ENGINE	TRANSMISSION
L = LOWLINE	3 = HD DODGE 2WD 8 = HD DODGE 4WD 6 = Lt. Duty DODGE 4WD 2 = Med. Duty DODGE 2WD 7 = Med. Duty DODGE 4WD 4 = TRUCK	12 = Van 140" 51 = Wagon 118" 52 = Wagon 140" 14 = Van 118" 15 = Van 140" 16 = Van 158" 54 = Wagon 118" 55 = Wagon 140" 56 = Wagon 158" 01 = Chassis Forward Control 118" 02 = Chassis Forward Control 140" 06 = Front Section 158" 11 = Van 118"	EX8 = Engine - 2.7L I5 Mercedes-Benz TD	DGJ = Transmission - 5-Spd Auto, MB

AR = use ase required - = Non illustrated part

Sensors Engine
Figure 8-605



ITEM	PART NUMBER	QTY	LINE	SERIES	BODY	ENGINE	TRANS	TRIM	DESCRIPTION
		1	3, 7	L	02, 06	EX8	DGJ		
		1	3, 7	L	12, 15, 16	EX8	DGJ		
		1	2, 6	L	01, 02, 06	EX8	DGJ		
		1	2, 6	L	11, 12, 14, 15, 16	EX8	DGJ		
22									SENSOR, MAP
	05117545AA	1	2, 6	L	01, 02, 06	EX8	DGJ		Stamped A0041538428
		1	2, 6	L	11, 12, 14, 15, 16	EX8	DGJ		Stamped A0041538428
		1	2, 6	L	51, 52, 54, 55, 56	EX8	DGJ		Stamped A0041538428
		1	3, 7	L	02, 06	EX8	DGJ		Stamped A0041538428
		1	3, 7	L	12, 15, 16	EX8	DGJ		Stamped A0041538428
		1	2, 3, 6, 7	L		EX8	DGJ		Stamped A0041538428
-23	05117542AA	1	6, 7, 2, 3	L		EX8	DGJ		SENSOR, Fuel/Water

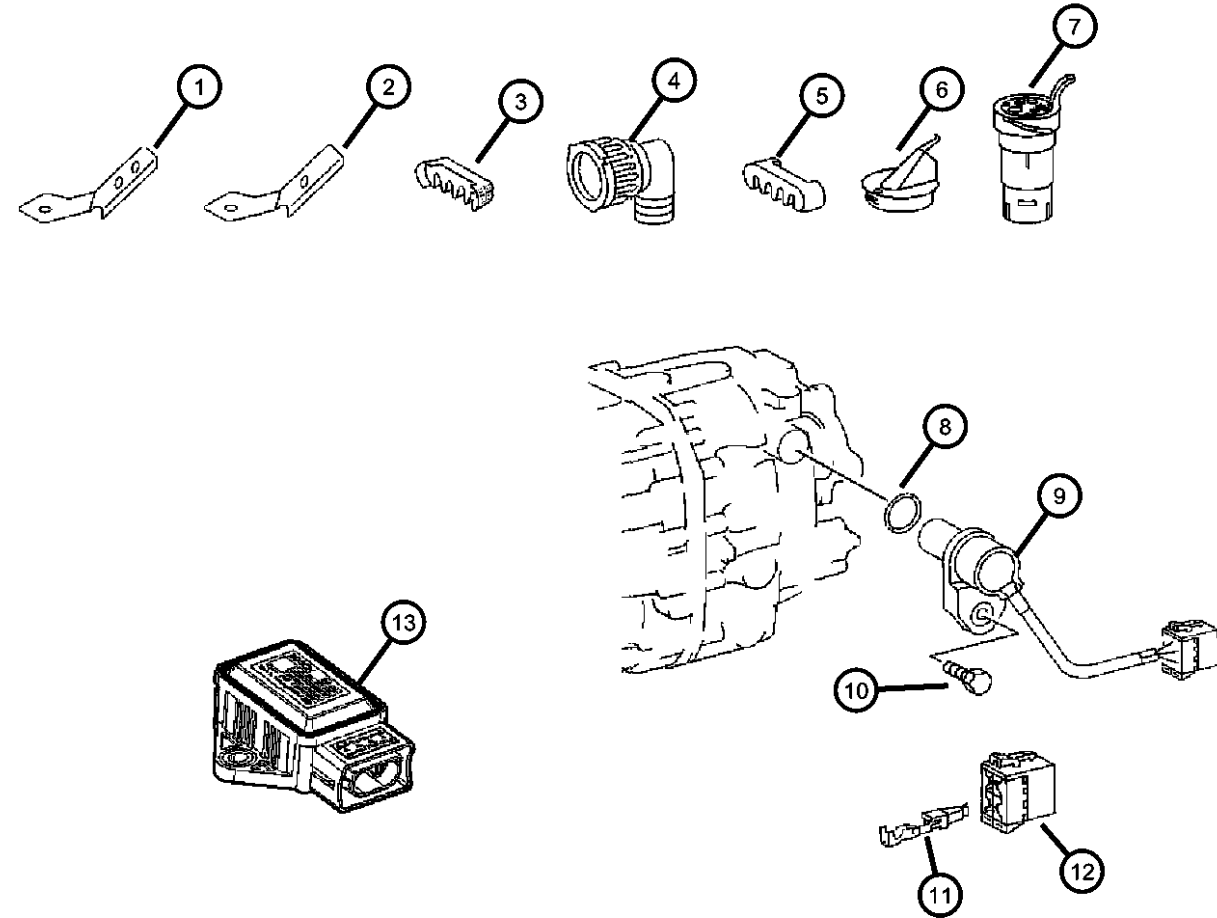
SPRINTER (VA)

SERIES	LINE	BODY	ENGINE	TRANSMISSION
L = LOWLINE	3 = HD DODGE 2WD 8 = HD DODGE 4WD 6 = Lt. Duty DODGE 4WD 2 = Med. Duty DODGE 2WD 7 = Med. Duty DODGE 4WD 4 = TRUCK	12 = Van 140" 51 = Wagon 118" 52 = Wagon 140" 14 = Van 118" 15 = Van 140" 16 = Van 158" 54 = Wagon 118" 55 = Wagon 140" 56 = Wagon 158"	EX8 = Engine - 2.7L I5 Mercedes-Benz TD	DGJ = Transmission - 5-Spd Auto, MB
		01 = Chassis Forward Control 118" 02 = Chassis Forward Control 140" 06 = Front Section 158" 11 = Van 118"		

AR = use ase required - = Non illustrated part

Sensors - Drivetrain
Figure 8-610

ITEM	PART NUMBER	QTY	LINE	SERIES	BODY	ENGINE	TRANS	TRIM	DESCRIPTION
1	05120944AA	1	2, 6	L	01, 02, 06	EX9			BRACKET
		1	2, 6	L	11, 12, 14, 15, 16	EX9			
		1	2, 6	L	51, 52, 54, 55, 56	EX9			
		1	3, 7	L	02, 06	EX9			
		1	3, 7	L	12, 15, 16	EX9			
2	05120947AA	1	2, 6	L	01, 02, 06	EX8	DGJ		BRACKET
		1	2, 6	L	11, 12, 14, 15, 16	EX8	DGJ		
		1	2, 6	L	51, 52, 54, 55, 56	EX8	DGJ		
		1	3, 7	L	02, 06	EX8	DGJ		
		1	3, 7	L	12, 15, 16	EX8	DGJ		
3	05120852AA	1	2, 6	L	01, 02, 06	EX8	DGJ		RETAINER, Wiring Harness
		1	2, 6	L	11, 12, 14, 15, 16	EX8	DGJ		
		1	2, 6	L	51, 52, 54, 55, 56	EX8	DGJ		
		1	3, 7	L	02, 06	EX8	DGJ		
		1	3, 7	L	12, 15, 16	EX8	DGJ		
4	05120915AA	1	2, 6	L	01, 02, 06	EX8	DGJ		BOOT, BOOT
		1	2, 6	L	11, 12, 14, 15, 16	EX8	DGJ		
		1	2, 6	L	51, 52, 54, 55, 56	EX8	DGJ		
		1	3, 7	L	02, 06	EX8	DGJ		
		1	3, 7	L	12, 15, 16	EX8	DGJ		
5									RETAINER, Wiring Harness



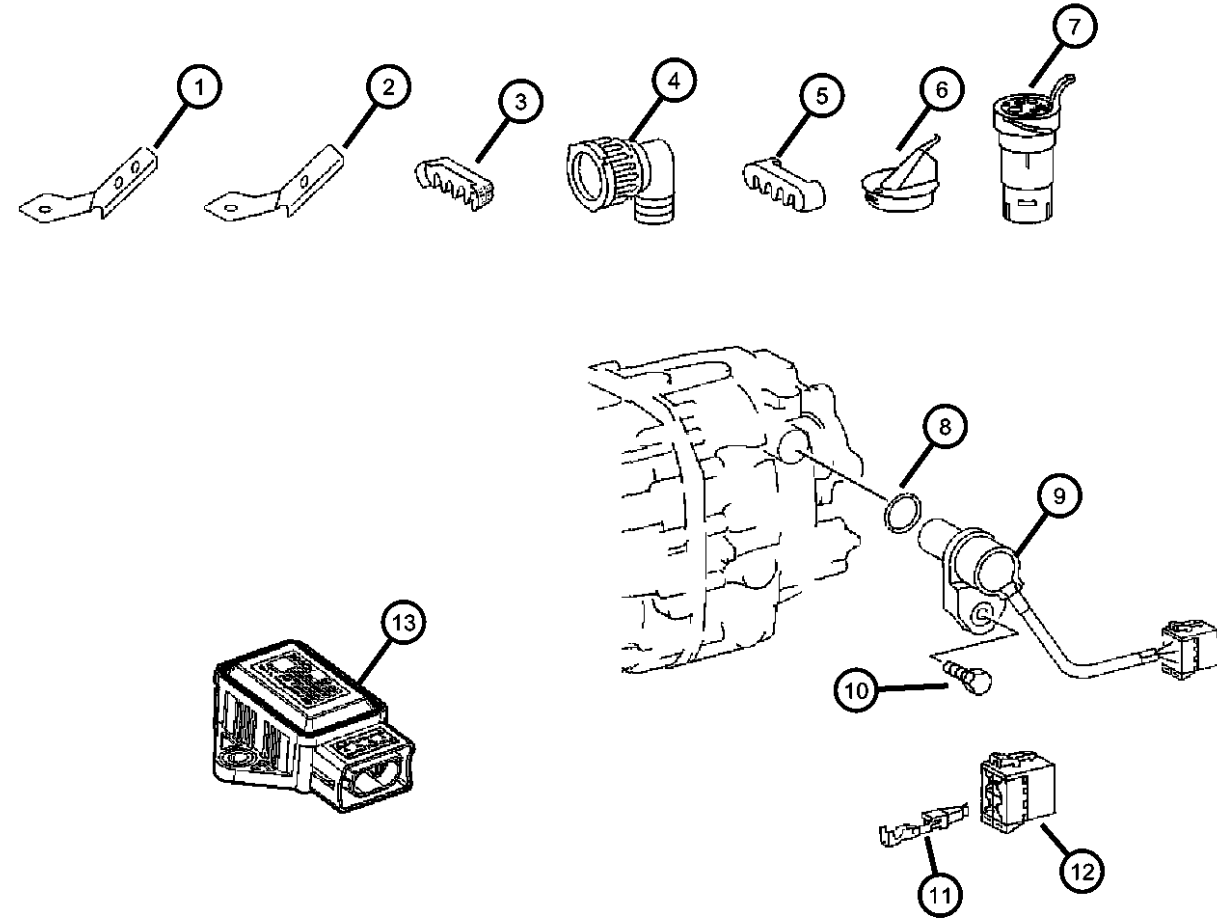
SPRINTER (VA)

SERIES	LINE	BODY	ENGINE	TRANSMISSION
L = LOWLINE	3 = HD DODGE 2WD 8 = HD DODGE 4WD 6 = Lt. Duty DODGE 4WD 2 = Med. Duty DODGE 2WD 7 = Med. Duty DODGE 4WD 4 = TRUCK	12 = Van 140" 51 = Wagon 118" 52 = Wagon 140" 14 = Van 118" 15 = Van 140" 16 = Van 158" 54 = Wagon 118" 55 = Wagon 140" 56 = Wagon 158" 01 = Chassis Forward Control 118" 02 = Chassis Forward Control 140" 06 = Front Section 158" 11 = Van 118"	EX8 = Engine - 2.7L I5 Mercedes-Benz TD	DGJ = Transmission - 5-Spd Auto, MB

AR = use ase required - = Non illustrated part

Sensors - Drivetrain
Figure 8-610

ITEM	PART NUMBER	QTY	LINE	SERIES	BODY	ENGINE	TRANS	TRIM	DESCRIPTION
	05120883AA	1	2, 6	L	01, 02, 06	EX8	DGJ		
		1	2, 6	L	11, 12, 14, 15, 16	EX8	DGJ		
		1	2, 6	L	51, 52, 54, 55, 56	EX8	DGJ		
		1	3, 7	L	02, 06	EX8	DGJ		
		1	3, 7	L	12, 15, 16	EX8	DGJ		
6	05120884AA	1	2, 6	L	01, 02, 06	EX8	DGJ		CAP
		1	2, 6	L	11, 12, 14, 15, 16	EX8	DGJ		
		1	2, 6	L	51, 52, 54, 55, 56	EX8	DGJ		
		1	3, 7	L	02, 06	EX8	DGJ		
		1	3, 7	L	12, 15, 16	EX8	DGJ		
7	05120265AA	1	2, 6	L	01, 02, 06	EX8	DGJ		CONNECTOR
		1	2, 6	L	11, 12, 14, 15, 16	EX8	DGJ		
		1	2, 6	L	51, 52, 54, 55, 56	EX8	DGJ		
		1	3, 7	L	02, 06	EX8	DGJ		
		1	3, 7	L	12, 15, 16	EX8	DGJ		
8	05125908AA	2	2, 6	L	01, 02, 06	EX8	DGJ		O RING, Sensor
		2	2, 6	L	11, 12, 14, 15, 16	EX8	DGJ		
		2	2, 6	L	51, 52, 54, 55, 56	EX8	DGJ		
		2	3, 7	L	02, 06	EX8	DGJ		
		2	3, 7	L	12, 15, 16	EX8	DGJ		
9									SENSOR, Vehicle Speed

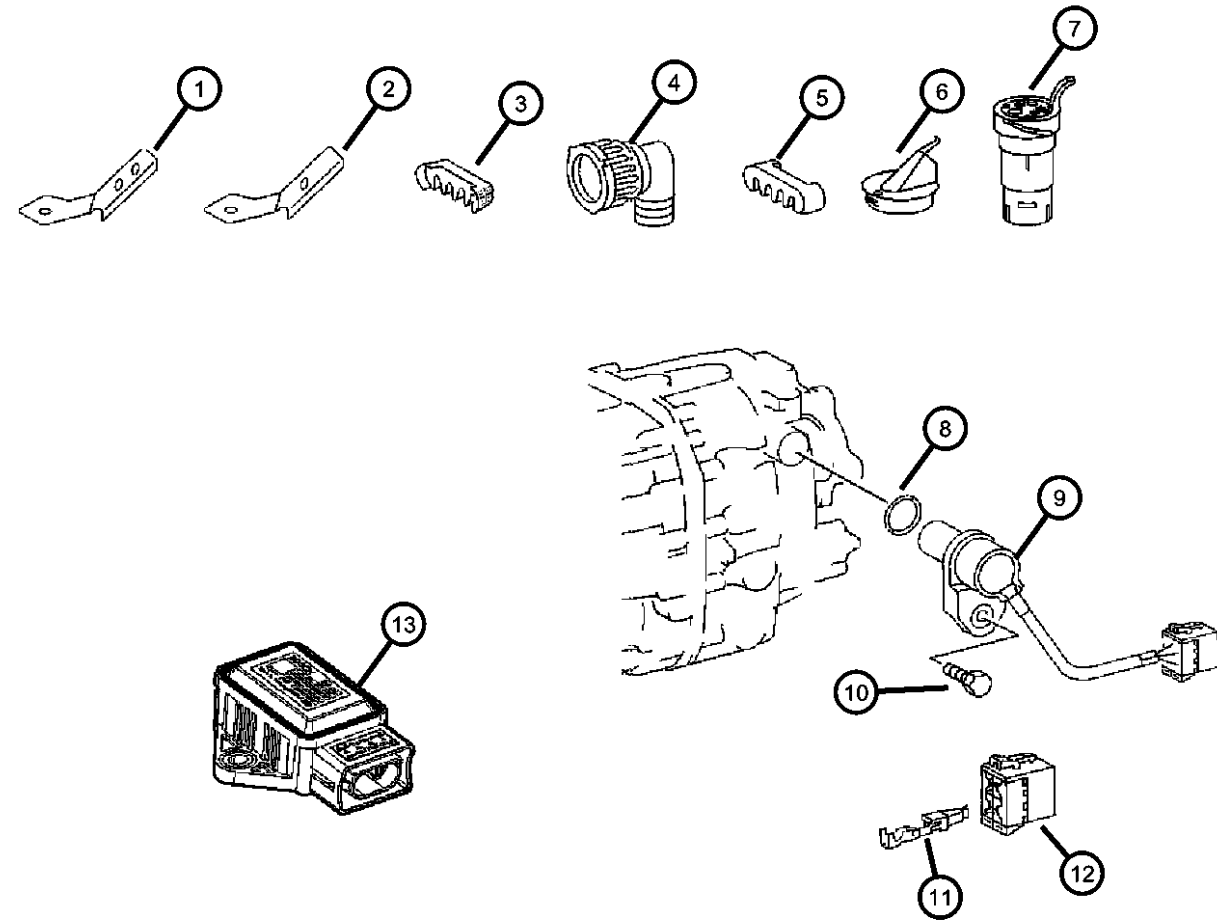


SPRINTER (VA)

SERIES	LINE	BODY	ENGINE	TRANSMISSION
L = LOWLINE	3 = HD DODGE 2WD 8 = HD DODGE 4WD 6 = Lt. Duty DODGE 4WD 2 = Med. Duty DODGE 2WD 7 = Med. Duty DODGE 4WD 4 = TRUCK	12 = Van 140" 51 = Wagon 118" 52 = Wagon 140" 14 = Van 118" 15 = Van 140" 16 = Van 158" 54 = Wagon 118" 55 = Wagon 140" 56 = Wagon 158" 01 = Chassis Forward Control 118" 02 = Chassis Forward Control 140" 06 = Front Section 158" 11 = Van 118"	EX8 = Engine - 2.7L I5 Mercedes-Benz TD	DGJ = Transmission - 5-Spd Auto, MB

AR = use ase required - = Non illustrated part

Sensors - Drivetrain
Figure 8-610



ITEM	PART NUMBER	QTY	LINE	SERIES	BODY	ENGINE	TRANS	TRIM	DESCRIPTION
	05120309AA	1	2, 6	L	01, 02, 06	EX8	DGJ		Tach pulse sensor
		1	2, 6	L	11, 12, 14, 15, 16	EX8	DGJ		Tach pulse sensor
		1	2, 6	L	51, 52, 54, 55, 56	EX8	DGJ		Tach pulse sensor
		1	3, 7	L	02, 06	EX8	DGJ		Tach pulse sensor
		1	3, 7	L	12, 15, 16	EX8	DGJ		Tach pulse sensor
	05120316AA	1	2, 6	L	01, 02, 06	EX8	DGJ		All wheel drive
		1	2, 6	L	11, 12, 14, 15, 16	EX8	DGJ		All wheel drive
		1	2, 6	L	51, 52, 54, 55, 56	EX8	DGJ		All wheel drive
		1	3, 7	L	02, 06	EX8	DGJ		All wheel drive
		1	3, 7	L	12, 15, 16	EX8	DGJ		All wheel drive
	05120317AA	1	2, 6	L	01, 02, 06	EX8	DGJ		Auto trans
		1	2, 6	L	11, 12, 14, 15, 16	EX8	DGJ		Auto trans
		1	2, 6	L	51, 52, 54, 55, 56	EX8	DGJ		Auto trans
		1	3, 7	L	02, 06	EX8	DGJ		Auto trans
		1	3, 7	L	12, 15, 16	EX8	DGJ		Auto trans
10	05126234AA	1	2, 6	L	01, 02, 06	EX8	DGJ		SCREW
		1	2, 6	L	11, 12, 14, 15, 16	EX8	DGJ		
		1	2, 6	L	51, 52, 54, 55, 56	EX8	DGJ		
		1	3, 7	L	02, 06	EX8	DGJ		
		1	3, 7	L	12, 15, 16	EX8	DGJ		
11	05103877AA	99	2, 6	L	01, 02, 06	EX8	DGJ		TERMINAL
		99	2, 6	L	11, 12, 14, 15, 16	EX8	DGJ		

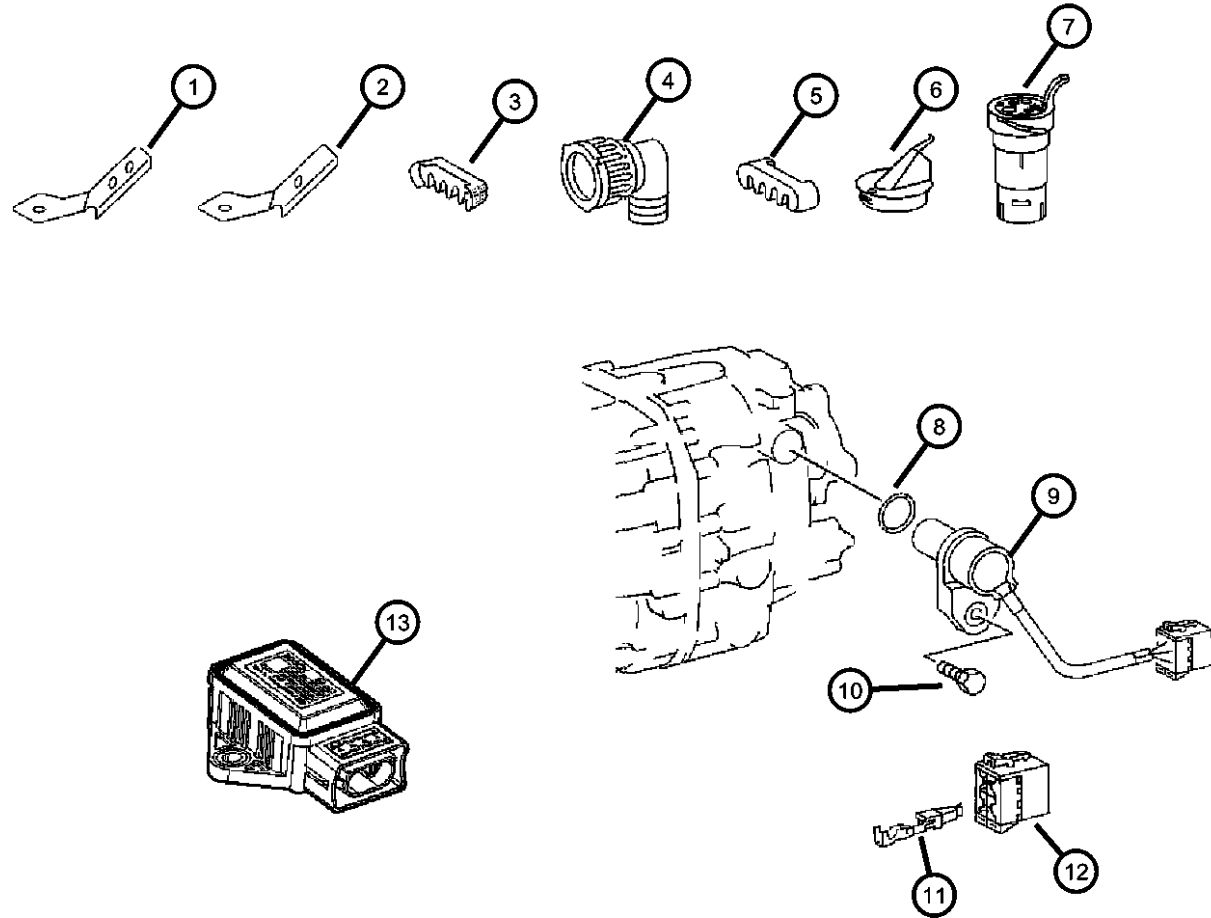
SPRINTER (VA)

SERIES	LINE	BODY	ENGINE	TRANSMISSION
L = LOWLINE	3 = HD DODGE 2WD 8 = HD DODGE 4WD 6 = Lt. Duty DODGE 4WD 2 = Med. Duty DODGE 2WD 7 = Med. Duty DODGE 4WD 4 = TRUCK	12 = Van 140" 51 = Wagon 118" 52 = Wagon 140" 14 = Van 118" 15 = Van 140" 16 = Van 158" 54 = Wagon 118" 55 = Wagon 140" 56 = Wagon 158" 01 = Chassis Forward Control 118" 02 = Chassis Forward Control 140" 06 = Front Section 158" 11 = Van 118"	EX8 = Engine - 2.7L I5 Mercedes-Benz TD	DGJ = Transmission - 5-Spd Auto, MB

AR = use ase required - = Non illustrated part

Sensors - Drivetrain
Figure 8-610

ITEM	PART NUMBER	QTY	LINE	SERIES	BODY	ENGINE	TRANS	TRIM	DESCRIPTION
		99	2, 6	L	51, 52, 54, 55, 56	EX8	DGJ		
		99	3, 7	L	02, 06	EX8	DGJ		
		99	3, 7	L	12, 15, 16	EX8	DGJ		
12	05103931AA	1	2, 6	L	01, 02, 06	EX8	DGJ		CONNECTOR
		1	2, 6	L	11, 12, 14, 15, 16	EX8	DGJ		
		1	2, 6	L	51, 52, 54, 55, 56	EX8	DGJ		
		1	3, 7	L	02, 06	EX8	DGJ		
		1	3, 7	L	12, 15, 16	EX8	DGJ		
13	05120342AB	1	2, 6	L	01, 02, 06	EX8	DGJ		SENSOR, Acceleration
		1	2, 6	L	11, 12, 14, 15, 16	EX8	DGJ		
		1	2, 6	L	51, 52, 54, 55, 56	EX8	DGJ		
		1	3, 7	L	02, 06	EX8	DGJ		
		1	3, 7	L	12, 15, 16	EX8	DGJ		



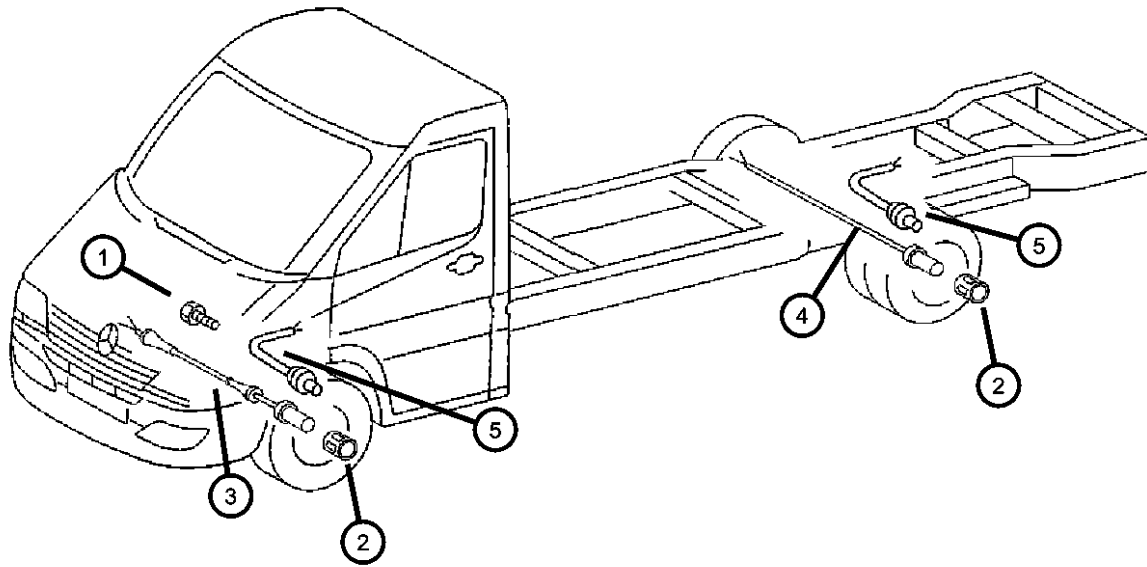
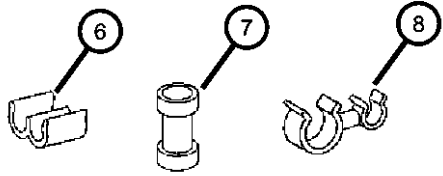
SPRINTER (VA)

SERIES	LINE	BODY	ENGINE	TRANSMISSION
L = LOWLINE	3 = HD DODGE 2WD 8 = HD DODGE 4WD 6 = Lt. Duty DODGE 4WD 2 = Med. Duty DODGE 2WD 7 = Med. Duty DODGE 4WD 4 = TRUCK	12 = Van 140" 51 = Wagon 118" 52 = Wagon 140" 14 = Van 118" 15 = Van 140" 16 = Van 158" 54 = Wagon 118" 55 = Wagon 140" 56 = Wagon 158" 01 = Chassis Forward Control 118" 02 = Chassis Forward Control 140" 06 = Front Section 158" 11 = Van 118"	EX8 = Engine - 2.7L I5 Mercedes-Benz TD	DGJ = Transmission - 5-Spd Auto, MB

AR = use ase required - = Non illustrated part

Sensors - Brakes
Figure 8-615

ITEM	PART NUMBER	QTY	LINE	SERIES	BODY	ENGINE	TRANS	TRIM	DESCRIPTION
1									SCREW
	05126269AA	2	2, 6	L	01, 02, 06	EX8	DGJ		
		2	2, 6	L	11, 12, 14, 15, 16	EX8	DGJ		
		2	2, 6	L	51, 52, 54, 55, 56	EX8	DGJ		
		2	3, 7	L	02, 06	EX8	DGJ		
		2	3, 7	L	12, 15, 16	EX8	DGJ		
2									RETAINER
	05120376AA	2	2, 6	L	01, 02, 06	EX8	DGJ		
		2	2, 6	L	11, 12, 14, 15, 16	EX8	DGJ		
		2	2, 6	L	51, 52, 54, 55, 56	EX8	DGJ		
		2	3, 7	L	02, 06	EX8	DGJ		
		2	3, 7	L	12, 15, 16	EX8	DGJ		
3									SENSOR, Wheel Speed
	05104145AA	2	2, 6	L	01, 02, 06	EX8	DGJ		ALSO ORDER 2 X 05120376AA, 1 X 05103755AA & 1 X 05103801AA
		2	2, 6	L	11, 12, 14, 15, 16	EX8	DGJ		ALSO ORDER 2 X 05120376AA, 1 X 05103755AA & 1 X 05103801AA
		2	2, 6	L	51, 52, 54, 55, 56	EX8	DGJ		ALSO ORDER 2 X 05120376AA, 1 X 05103755AA & 1 X 05103801AA
		2	3, 7	L	02, 06	EX8	DGJ		ALSO ORDER 2 X 05120376AA, 1 X 05103755AA & 1 X 05103801AA
		2	3, 7	L	12, 15, 16	EX8	DGJ		ALSO ORDER 2 X 05120376AA, 1 X 05103755AA & 1 X 05103801AA
4									SENSOR, Wheel Speed
	05104144AA	2	2, 6	L	01, 02, 06	EX8	DGJ		ALSO ORDER 2 X 05120376AA, 1 X 05103755AA & 1 X 05103801AA

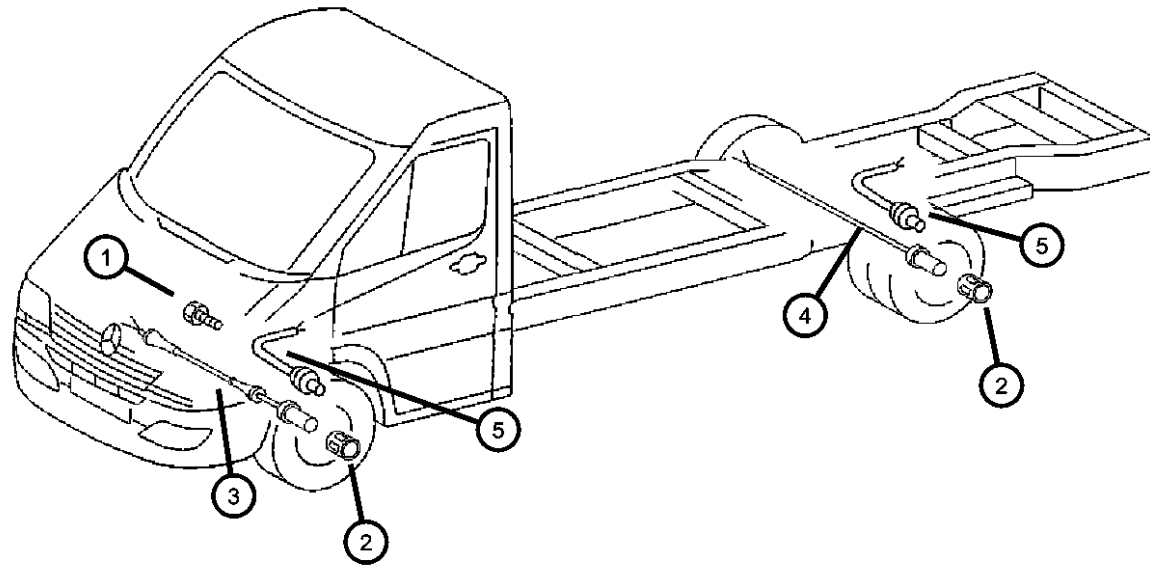
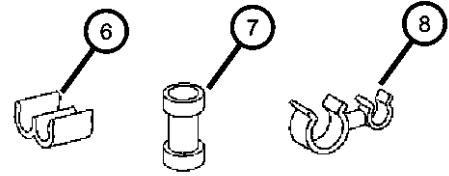


SPRINTER (VA)

SERIES	LINE	BODY	ENGINE	TRANSMISSION
L = LOWLINE	3 = HD DODGE 2WD 8 = HD DODGE 4WD 6 = Lt. Duty DODGE 4WD 2 = Med. Duty DODGE 2WD 7 = Med. Duty DODGE 4WD 4 = TRUCK	12 = Van 140" 51 = Wagon 118" 52 = Wagon 140" 14 = Van 118" 15 = Van 140" 16 = Van 158" 54 = Wagon 118" 55 = Wagon 140" 56 = Wagon 158" 01 = Chassis Forward Control 118" 02 = Chassis Forward Control 140" 06 = Front Section 158" 11 = Van 118"	EX8 = Engine - 2.7L I5 Mercedes-Benz TD	DGJ = Transmission - 5-Spd Auto, MB

AR = use ase required - = Non illustrated part

Sensors - Brakes
Figure 8-615



ITEM	PART NUMBER	QTY	LINE	SERIES	BODY	ENGINE	TRANS	TRIM	DESCRIPTION
		2	2, 6	L	11, 12, 14, 15, 16	EX8	DGJ		ALSO ORDER 2 X 05120376AA, 1 X 05103755AA & 1 X 05103801AA
		2	2, 6	L	51, 52, 54, 55, 56	EX8	DGJ		ALSO ORDER 2 X 05120376AA, 1 X 05103755AA & 1 X 05103801AA
		2	3, 7	L	02, 06	EX8	DGJ		ALSO ORDER 2 X 05120376AA, 1 X 05103755AA & 1 X 05103801AA
		2	3, 7	L	12, 15, 16	EX8	DGJ		ALSO ORDER 2 X 05120376AA, 1 X 05103755AA & 1 X 05103801AA
5	05103654AA	1	2, 6	L	01, 02, 06	EX8	DGJ		WIRING, Brake Indicator
		1	2, 6	L	11, 12, 14, 15, 16	EX8	DGJ		
		1	2, 6	L	51, 52, 54, 55, 56	EX8	DGJ		
		1	3, 7	L	02, 06	EX8	DGJ		
		1	3, 7	L	12, 15, 16	EX8	DGJ		
6	05126024AA	2	2, 6	L	01, 02, 06	EX8	DGJ		CLIP, Wiring
		2	2, 6	L	11, 12, 14, 15, 16	EX8	DGJ		
		2	2, 6	L	51, 52, 54, 55, 56	EX8	DGJ		
		2	3, 7	L	02, 06	EX8	DGJ		
		2	3, 7	L	12, 15, 16	EX8	DGJ		
7	05103755AA	99	2, 6	L	01, 02, 06	EX8	DGJ		CONNECTOR
		99	2, 6	L	11, 12, 14, 15, 16	EX8	DGJ		
		99	2, 6	L	51, 52, 54, 55, 56	EX8	DGJ		
		99	3, 7	L	02, 06	EX8	DGJ		

SPRINTER (VA)

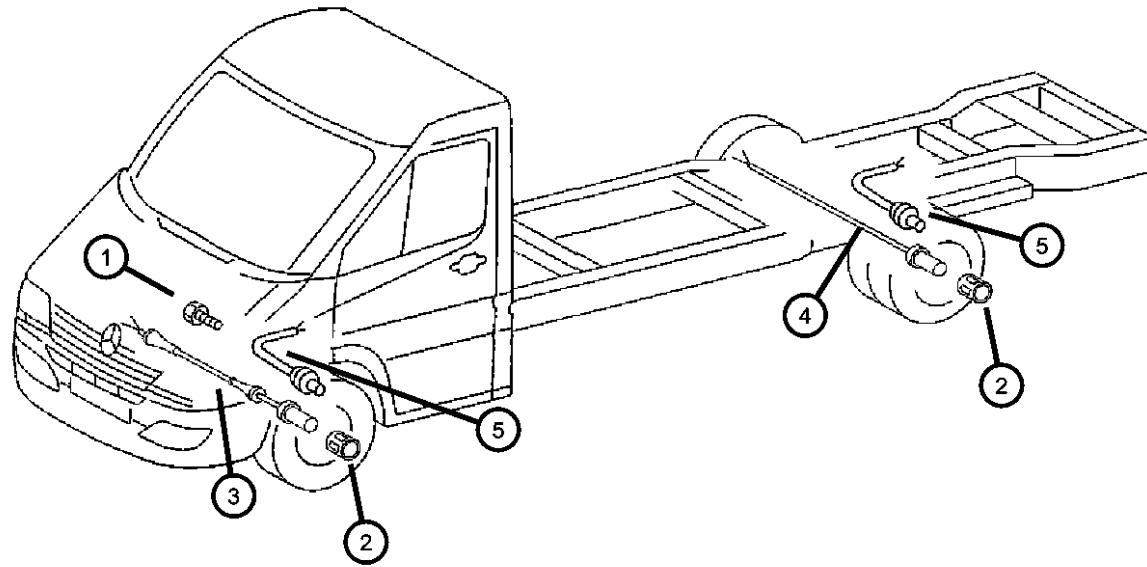
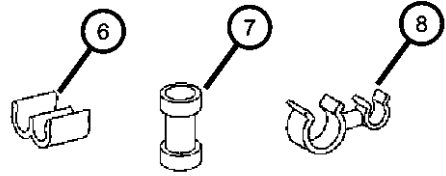
SERIES	LINE	BODY	ENGINE	TRANSMISSION
L = LOWLINE	3 = HD DODGE 2WD 8 = HD DODGE 4WD 6 = Lt. Duty DODGE 4WD 2 = Med. Duty DODGE 2WD 7 = Med. Duty DODGE 4WD 4 = TRUCK	12 = Van 140" 51 = Wagon 118" 52 = Wagon 140" 14 = Van 118" 15 = Van 140" 16 = Van 158" 54 = Wagon 118" 55 = Wagon 140" 56 = Wagon 158" 01 = Chassis Forward Control 118" 02 = Chassis Forward Control 140" 06 = Front Section 158" 11 = Van 118"	EX8 = Engine - 2.7L I5 Mercedes-Benz TD	DGJ = Transmission - 5-Spd Auto, MB

AR = use ase required - = Non illustrated part

2005 VA

Sensors - Brakes
Figure 8-615

ITEM	PART NUMBER	QTY	LINE	SERIES	BODY	ENGINE	TRANS	TRIM	DESCRIPTION
		99	3, 7	L	12, 15, 16	EX8	DGJ		
8	05120943AA	6	2, 6	L	01, 02, 06	EX8	DGJ		BRACKET
		6	2, 6	L	11, 12, 14, 15, 16	EX8	DGJ		
		6	2, 6	L	51, 52, 54, 55, 56	EX8	DGJ		
		6	3, 7	L	02, 06	EX8	DGJ		
		6	3, 7	L	12, 15, 16	EX8	DGJ		

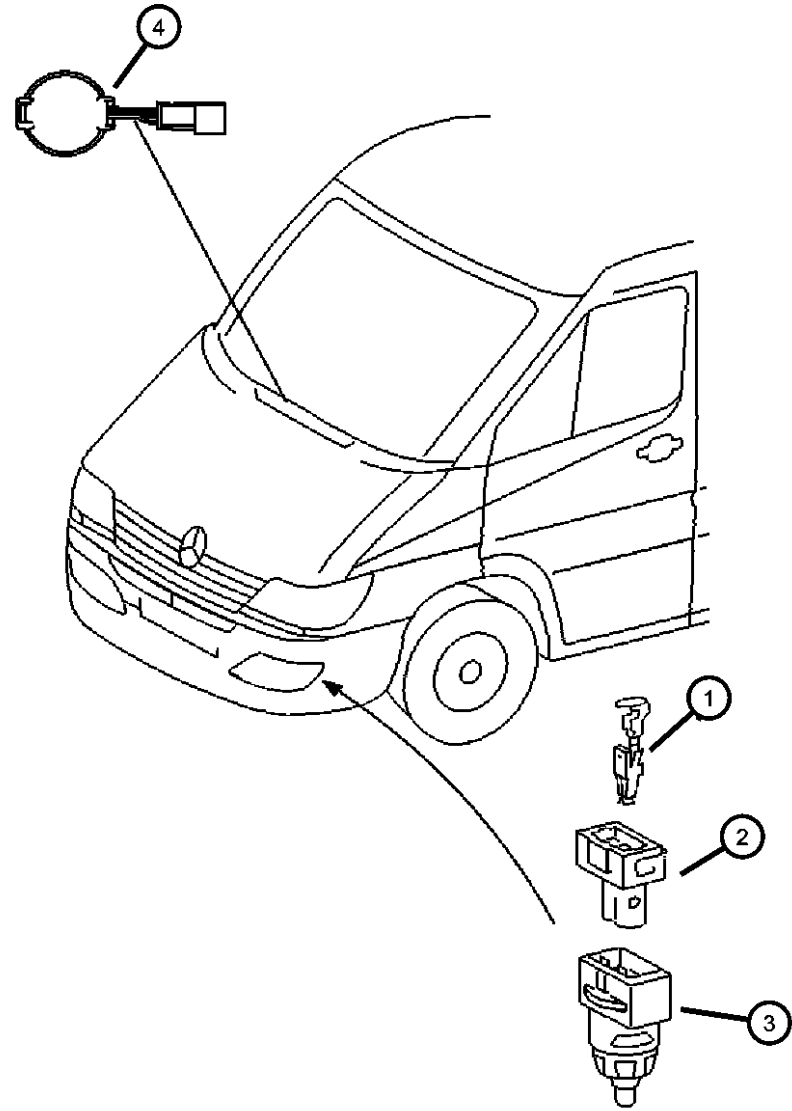


SPRINTER (VA)

SERIES	LINE	BODY	ENGINE	TRANSMISSION
L = LOWLINE	3 = HD DODGE 2WD 8 = HD DODGE 4WD 6 = Lt. Duty DODGE 4WD 2 = Med. Duty DODGE 2WD 7 = Med. Duty DODGE 4WD 4 = TRUCK	12 = Van 140" 51 = Wagon 118" 52 = Wagon 140" 14 = Van 118" 15 = Van 140" 16 = Van 158" 54 = Wagon 118" 55 = Wagon 140" 56 = Wagon 158" 01 = Chassis Forward Control 118" 02 = Chassis Forward Control 140" 06 = Front Section 158" 11 = Van 118"	EX8 = Engine - 2.7L I5 Mercedes-Benz TD	DGJ = Transmission - 5-Spd Auto, MB

AR = use ase required - = Non illustrated part

Sensors Ambient Temperature and Rain
Figure 8-620



ITEM	PART NUMBER	QTY	LINE	SERIES	BODY	ENGINE	TRANS	TRIM	DESCRIPTION
1	05103880AA	99	2, 6	L	11, 12, 14, 15, 16	EX8	DGJ		TERMINAL
		99	2, 6	L	01, 02, 06	EX8	DGJ		
		99	2, 6	L	51, 52, 54, 55, 56	EX8	DGJ		
		99	3, 7	L	02, 06	EX8	DGJ		
		99	3, 7	L	12, 15, 16	EX8	DGJ		
2	05120749AA	1	3, 7	L	02, 06	EX8	DGJ		CONNECTOR
		1	3, 7	L	12, 15, 16	EX8	DGJ		
		1	2, 6	L	01, 02, 06	EX8	DGJ		
		1	2, 6	L	11, 12, 14, 15, 16	EX8	DGJ		
		1	2, 6	L	51, 52, 54, 55, 56	EX8	DGJ		
3	05103563AA	1	2, 6	L	01, 02, 06	EX8	DGJ		SENSOR, Ambient Temperature
		1	2, 6	L	11, 12, 14, 15, 16	EX8	DGJ		
		1	2, 6	L	51, 52, 54, 55, 56	EX8	DGJ		
		1	3, 7	L	02, 06	EX8	DGJ		
		1	3, 7	L	12, 15, 16	EX8	DGJ		
4	05124421AA	1	2, 6	L	01, 02, 06	EX8	DGJ		SENSOR, Rain
		1	2, 6	L	11, 12, 14, 15, 16	EX8	DGJ		
		1	2, 6	L	51, 52, 54, 55, 56	EX8	DGJ		
		1	7, 3	L	02, 06	EX8	DGJ		
		1	3, 7	L	12, 15, 16	EX8	DGJ		

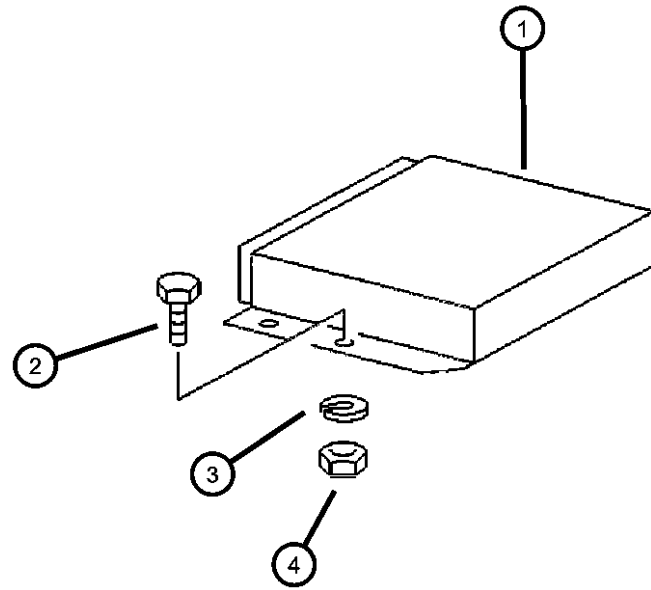
SPRINTER (VA)

SERIES	LINE	BODY	ENGINE	TRANSMISSION
L = LOWLINE	3 = HD DODGE 2WD 8 = HD DODGE 4WD 6 = Lt. Duty DODGE 4WD 2 = Med. Duty DODGE 2WD 7 = Med. Duty DODGE 4WD 4 = TRUCK	12 = Van 140" 51 = Wagon 118" 52 = Wagon 140" 14 = Van 118" 15 = Van 140" 16 = Van 158" 54 = Wagon 118" 55 = Wagon 140" 56 = Wagon 158" 01 = Chassis Forward Control 118" 02 = Chassis Forward Control 140" 06 = Front Section 158" 11 = Van 118"	EX8 = Engine - 2.7L I5 Mercedes-Benz TD	DGJ = Transmission - 5-Spd Auto, MB

AR = use ase required - = Non illustrated part

**Powertrain Control
Figure 8-715**

ITEM	PART NUMBER	QTY	LINE	SERIES	BODY	ENGINE	TRANS	TRIM	DESCRIPTION
									DG0=All Speed Automatic Transmission DGG=3 Speed Automatic Transmission DGT=4 Speed Automatic Transmission EH0=3.9L Engine ELF=5.2L SMPI 'MAGNUM' Engine ELN=5.2L MPI CNG Engine EM0=5.9L Engine
1									MODULE, Powertrain Control
	05166760AA	1	2, 6	L	01, 02, 06	EX8	DGJ		
		1	2, 6	L	11, 12, 14, 15, 16	EX8	DGJ		
		1	2, 6	L	51, 52, 54, 55, 56	EX8	DGJ		
		1	3, 7	L	02, 06	EX8	DGJ		
		1	3, 7	L	12, 15, 16	EX8	DGJ		
2									BOLT, M6x20
	05126198AA	4	3, 7	L	12, 15, 16	EX8	DGJ		
		4	2, 6	L	01, 02, 06	EX8	DGJ		
		4	2, 6	L	11, 12, 14, 15, 16	EX8	DGJ		
		4	2, 6	L	51, 52, 54, 55, 56	EX8	DGJ		
		4	3, 7	L	02, 06	EX8	DGJ		
3									LOCK WASHER
	05126240AA	4	2, 6	L	01, 02, 06	EX8	DGJ		
		4	2, 6	L	11, 12, 14, 15, 16	EX8	DGJ		
		4	2, 6	L	51, 52, 54, 55, 56	EX8	DGJ		
		4	3, 7	L	02, 06	EX8	DGJ		
		4	3, 7	L	12, 15, 16	EX8	DGJ		
4		4							NUT, Hex, (NOT SERVICED)
-5									MODULE, Transmission Control
	05140526AA	1	2, 6	L	01, 02, 06	EX8	DGJ		



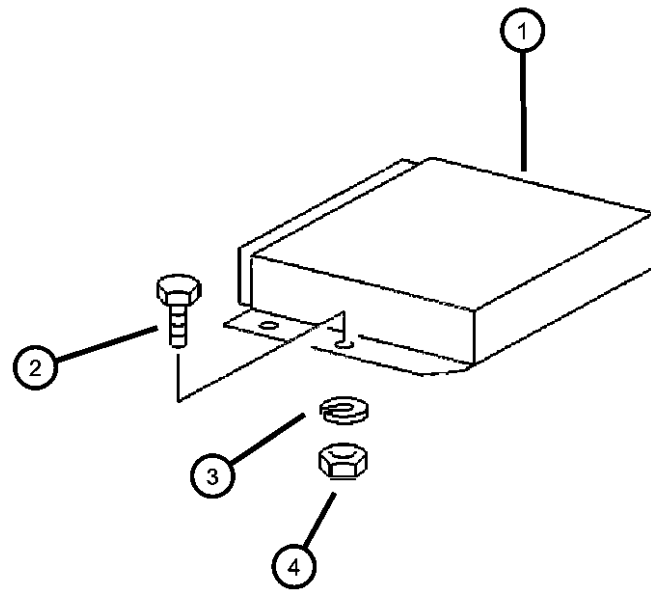
SPRINTER (VA)

SERIES	LINE	BODY	ENGINE	TRANSMISSION
L = LOWLINE	3 = HD DODGE 2WD 8 = HD DODGE 4WD 6 = Lt. Duty DODGE 4WD 2 = Med. Duty DODGE 2WD 7 = Med. Duty DODGE 4WD 4 = TRUCK	12 = Van 140" 51 = Wagon 118" 52 = Wagon 140" 14 = Van 118" 15 = Van 140" 16 = Van 158" 54 = Wagon 118" 55 = Wagon 140" 56 = Wagon 158" 01 = Chassis Forward Control 118" 02 = Chassis Forward Control 140" 06 = Front Section 158" 11 = Van 118"	EX8 = Engine - 2.7L I5 Mercedes-Benz TD	DGJ = Transmission - 5-Spd Auto, MB

AR = use ase required - = Non illustrated part

**Powertrain Control
Figure 8-715**

ITEM	PART NUMBER	QTY	LINE	SERIES	BODY	ENGINE	TRANS	TRIM	DESCRIPTION
		1	2, 6	L	11, 12, 14, 15, 16	EX8	DGJ		
		1	2, 6	L	51, 52, 54, 55, 56	EX8	DGJ		
		1	3, 7	L	02, 06	EX8	DGJ		
		1	3, 7	L	12, 15, 16	EX8	DGJ		

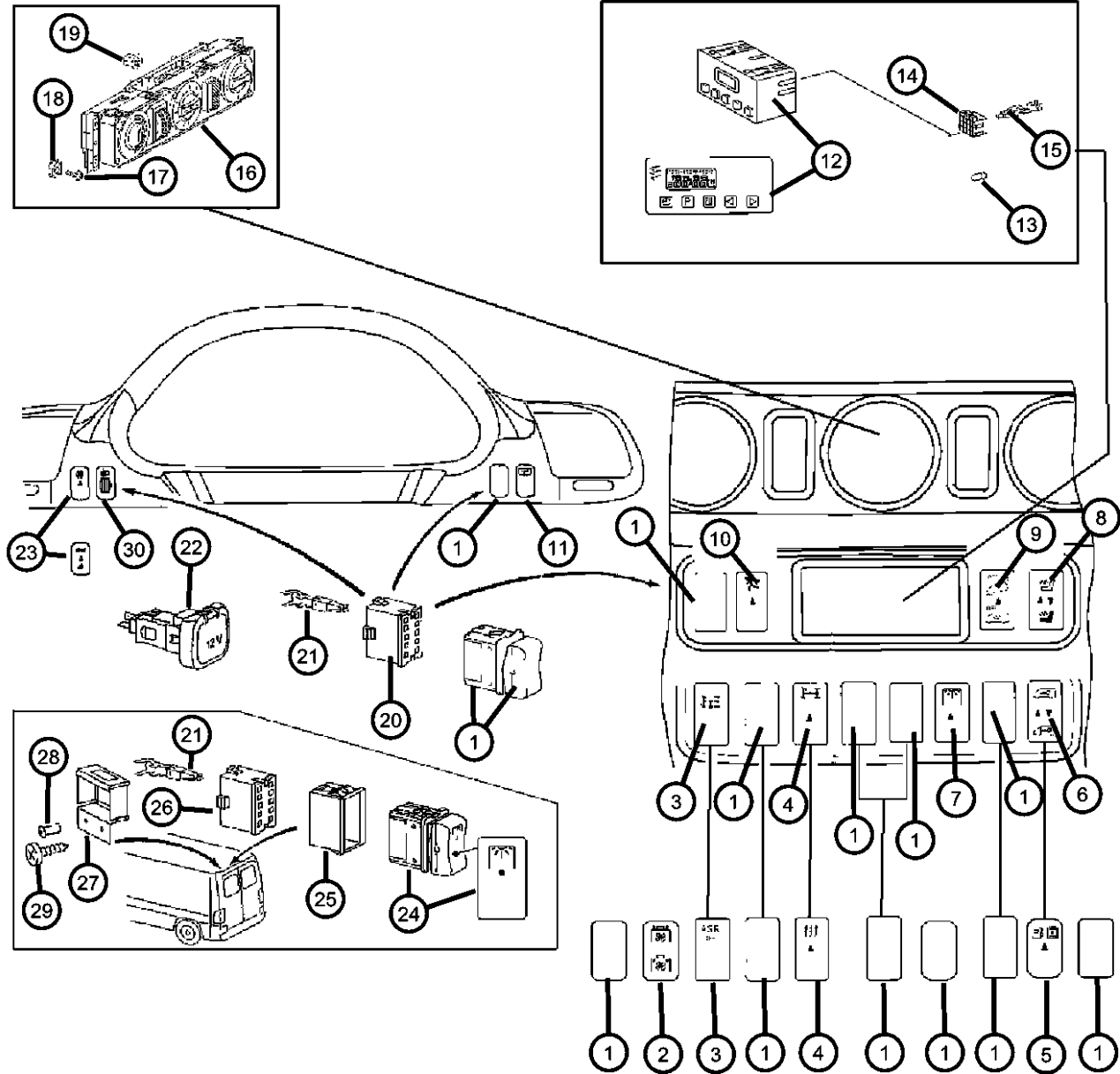


SPRINTER (VA)

SERIES	LINE	BODY	ENGINE	TRANSMISSION
L = LOWLINE	3 = HD DODGE 2WD 8 = HD DODGE 4WD 6 = Lt. Duty DODGE 4WD 2 = Med. Duty DODGE 2WD 7 = Med. Duty DODGE 4WD 4 = TRUCK	12 = Van 140" 51 = Wagon 118" 52 = Wagon 140" 14 = Van 118" 15 = Van 140" 16 = Van 158" 54 = Wagon 118" 55 = Wagon 140" 56 = Wagon 158" 01 = Chassis Forward Control 118" 02 = Chassis Forward Control 140" 06 = Front Section 158" 11 = Van 118"	EX8 = Engine - 2.7L I5 Mercedes-Benz TD	DGJ = Transmission - 5-Spd Auto, MB

AR = use ase required - = Non illustrated part

Switches - Instrument Panel
Figure 8-805



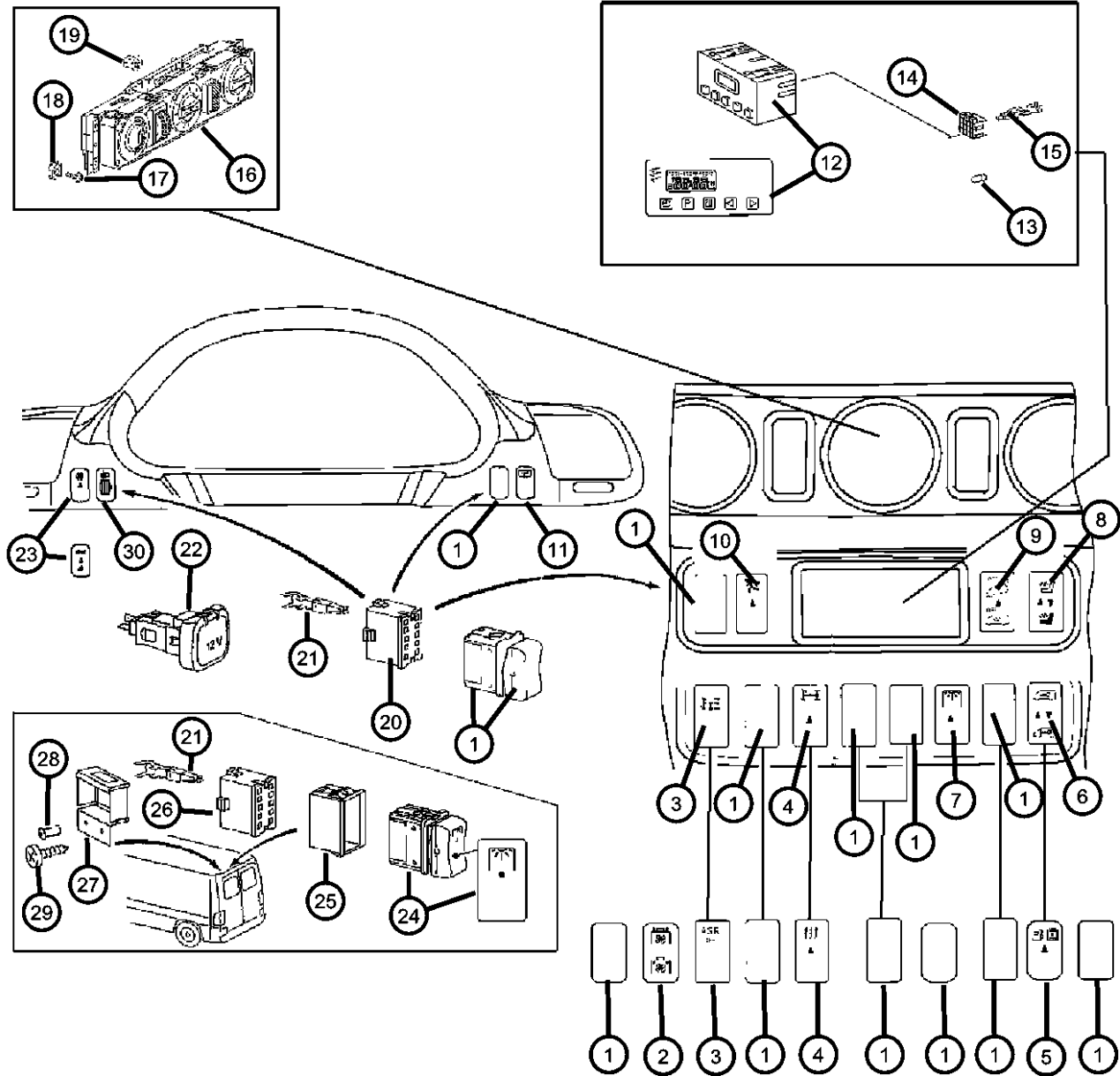
ITEM	PART NUMBER	QTY	LINE	SERIES	BODY	ENGINE	TRANS	TRIM	DESCRIPTION
1	05122925AA	3	3, 7	L	02, 06	EX8	DGJ		COVER, Switch Opening
		3	2, 6	L	01, 02, 06	EX8	DGJ		
		3	2, 6	L	11, 12, 14, 15, 16	EX8	DGJ		
		3	2, 6	L	51, 52, 54, 55, 56	EX8	DGJ		
		3	3, 7	L	12, 15, 16	EX8	DGJ		
2	05120490AA	1	2, 6	L	11, 12, 14, 15, 16	EX8	DGJ		SWITCH, Ventilator
		1	2, 6	L	51, 52, 54, 55, 56	EX8	DGJ		
		1	7, 3	L	12, 15, 16	EX8	DGJ		
3	05120472AA	1	2, 6	L	01, 02	EX8	DGJ		SWITCH, Traction Control
		1	2, 6	L	11, 12, 14, 15, 16	EX8	DGJ		
		1	2, 6	L	51, 52, 54, 55, 56	EX8	DGJ		
		1	3, 7	L	02, 06	EX8	DGJ		
		1	3, 7	L	12, 15, 16	EX8	DGJ		
4	05103853AA	1	2, 6	L	01, 02, 06	EX8	DGJ		SWITCH, Rear Blower
		1	2, 6	L	11, 12, 14, 15, 16	EX8	DGJ		
		1	2, 6	L	51, 52, 54, 55, 56	EX8	DGJ		
		1	3, 7	L	02, 06	EX8	DGJ		
		1	3, 7	L	12, 15, 16	EX8	DGJ		
5	05124392AA	1	2, 6	L	01, 02, 06	EX8	DGJ		SWITCH, Wiper and Washer
		1	2, 6	L	11, 12, 14, 15, 16	EX8	DGJ		

SPRINTER (VA)

SERIES	LINE	BODY	ENGINE	TRANSMISSION
L = LOWLINE	3 = HD DODGE 2WD 8 = HD DODGE 4WD 6 = Lt. Duty DODGE 4WD 2 = Med. Duty DODGE 2WD 7 = Med. Duty DODGE 4WD 4 = TRUCK	12 = Van 140" 51 = Wagon 118" 52 = Wagon 140" 14 = Van 118" 15 = Van 140" 16 = Van 158" 54 = Wagon 118" 55 = Wagon 140" 56 = Wagon 158" 01 = Chassis Forward Control 118" 02 = Chassis Forward Control 140" 06 = Front Section 158" 11 = Van 118"	EX8 = Engine - 2.7L I5 Mercedes-Benz TD	DGJ = Transmission - 5-Spd Auto, MB

AR = use ase required - = Non illustrated part

Switches - Instrument Panel
Figure 8-805



ITEM	PART NUMBER	QTY	LINE	SERIES	BODY	ENGINE	TRANS	TRIM	DESCRIPTION
6	05103855AA	1	2, 6	L	51, 52, 54, 55, 56	EX8	DGJ		SWITCH, Central Locking
		1	3, 7	L	02, 06	EX8	DGJ		
		1	3, 7	L	12, 15, 16	EX8	DGJ		
		1	2, 6	L	01, 02, 06	EX8	DGJ		
		1	2, 6	L	11, 12, 14, 15, 16	EX8	DGJ		
		1	2, 6	L	51, 52, 54, 55, 56	EX8	DGJ		
7	05103844AA	1	2, 6	L	11, 12, 14, 15, 16	EX8	DGJ		SWITCH, Cargo Lamp
		1	3, 7	L	02, 06	EX8	DGJ		
		1	3, 7	L	12, 15, 16	EX8	DGJ		
8	05120444AA	2	2, 6	L	01, 02, 06	EX8	DGJ		SWITCH, Heated Seat
		2	2, 6	L	11, 12, 14, 15, 16	EX8	DGJ		
		2	2, 6	L	51, 52, 54, 55, 56	EX8	DGJ		
		2	3, 7	L	02, 06	EX8	DGJ		
		2	3, 7	L	12, 15, 16	EX8	DGJ		
		2	3, 7	L	12, 15, 16	EX8	DGJ		
9	05120465AA	1	2, 6	L	01, 02, 06	EX8	DGJ		SWITCH, Security Alarm
		1	2, 6	L	11, 12, 14, 15, 16	EX8	DGJ		
		1	2, 6	L	51, 52, 54, 55, 56	EX8	DGJ		
		1	3, 7	L	02, 06	EX8	DGJ		
		1	3, 7	L	02, 06	EX8	DGJ		

SPRINTER (VA)

SERIES

L = LOWLINE

LINE

3 = HD DODGE 2WD
8 = HD DODGE 4WD
6 = Lt. Duty DODGE 4WD
2 = Med. Duty DODGE 2WD
7 = Med. Duty DODGE 4WD
4 = TRUCK

BODY

12 = Van 140"
51 = Wagon 118"
52 = Wagon 140"
14 = Van 118"
15 = Van 140"
16 = Van 158"
54 = Wagon 118"
55 = Wagon 140"
56 = Wagon 158"
01 = Chassis Forward Control
118"
02 = Chassis Forward Control
140"
06 = Front Section 158"
11 = Van 118"

ENGINE

EX8 = Engine - 2.7L I5
Mercedes-Benz TD

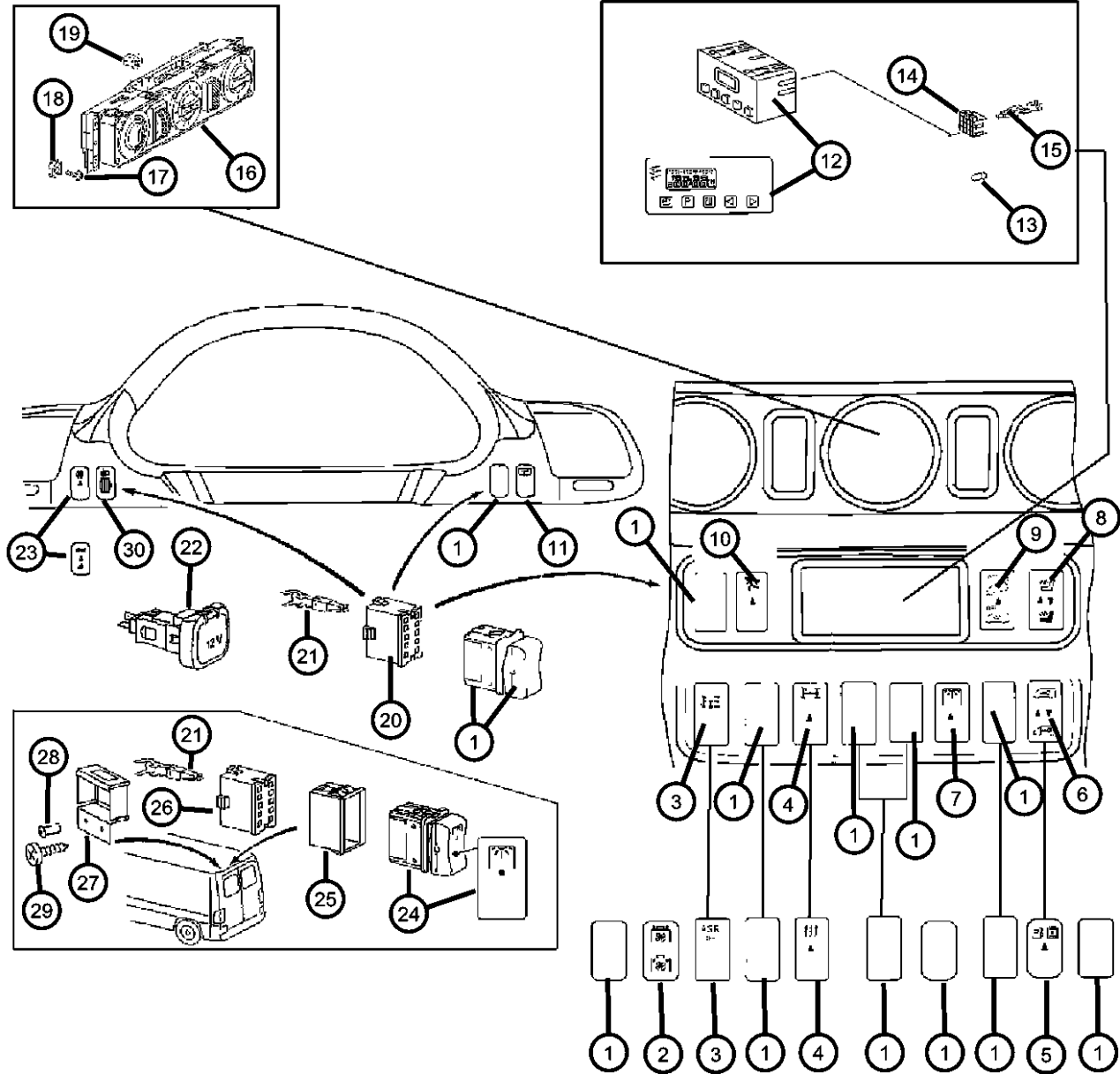
TRANSMISSION

DGJ = Transmission - 5-Spd Auto, MB

AR = use ase required - = Non illustrated part

2005 VA

Switches - Instrument Panel
Figure 8-805

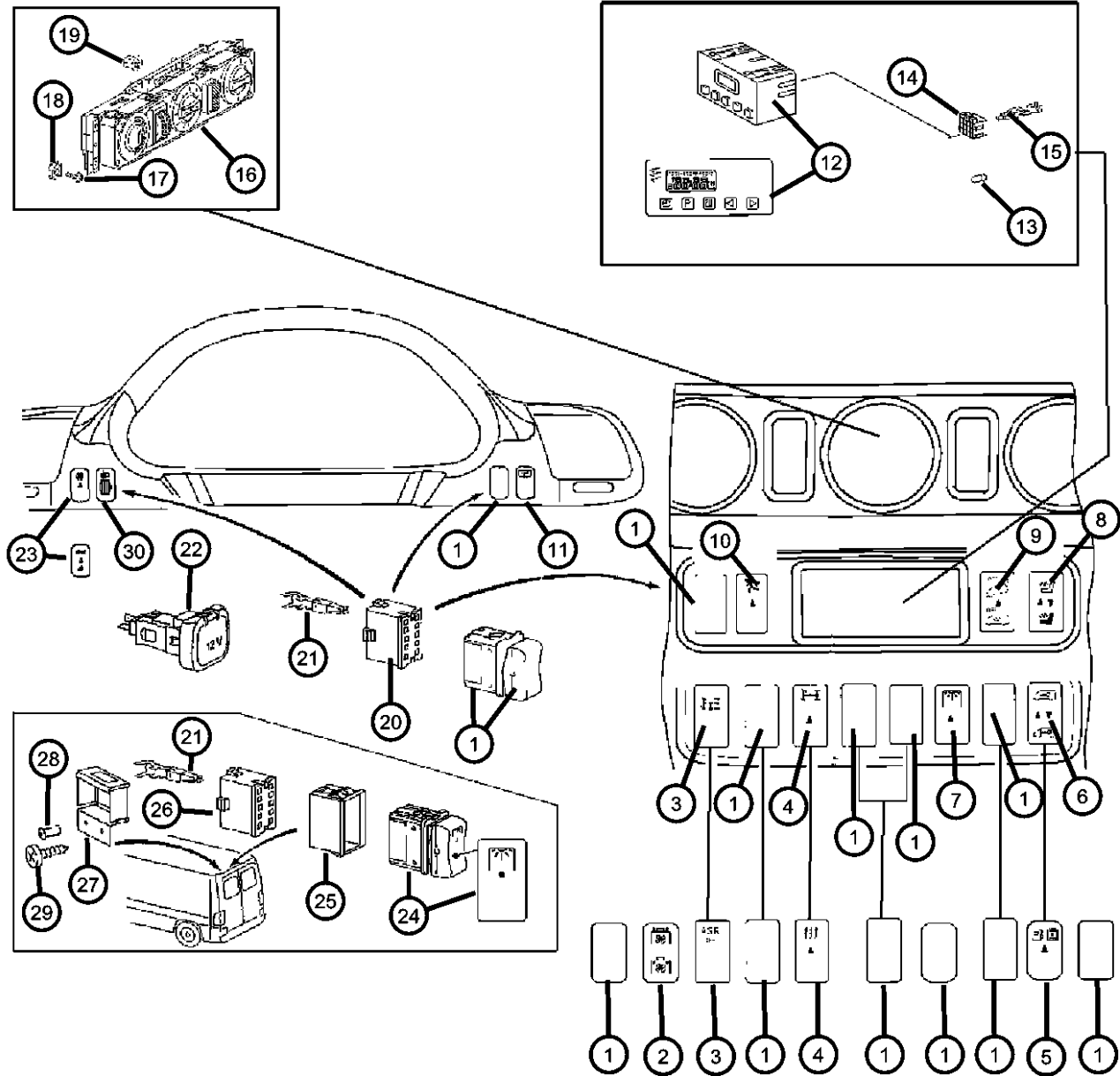


ITEM	PART NUMBER	QTY	LINE	SERIES	BODY	ENGINE	TRANS	TRIM	DESCRIPTION
10		1	3, 7	L	12, 15, 16	EX8	DGJ		SWITCH, Security Alarm
	05120466AA	1	2, 6	L	01, 02, 06	EX8	DGJ		
		1	2, 6	L	11, 12, 14, 15, 16	EX8	DGJ		
		1	2, 6	L	51, 52, 54, 55, 56	EX8	DGJ		
		1	3, 7	L	02, 06	EX8	DGJ		
		1	3, 7	L	12, 15, 16	EX8	DGJ		
11		1	2, 6	L	11, 12, 14, 15, 16	EX8	DGJ		SWITCH, Defogger
	05120438AA	1	2, 6	L	11, 12, 14, 15, 16	EX8	DGJ		
		1	2, 6	L	51, 52, 54, 55, 56	EX8	DGJ		
		1	3, 7	L	12, 15, 16	EX8	DGJ		
12		1	2, 6	L	01, 02, 06	EX8	DGJ		CLOCK
	05120301AA	1	2, 6	L	01, 02, 06	EX8	DGJ		
		1	2, 6	L	11, 12, 14, 15, 16	EX8	DGJ		
		1	2, 6	L	51, 52, 54, 55, 56	EX8	DGJ		
		1	3, 7	L	02, 06	EX8	DGJ		
		1	3, 7	L	12, 15, 16	EX8	DGJ		
13		1	2, 6	L	01, 02, 06	EX8	DGJ		BULB, 12V 1.5W
	05133469AA	1	2, 6	L	01, 02, 06	EX8	DGJ		
		1	2, 6	L	11, 12, 14, 15, 16	EX8	DGJ		
		1	2, 6	L	51, 52, 54, 55, 56	EX8	DGJ		
		1	3, 7	L	02, 06	EX8	DGJ		
		1	3, 7	L	12, 15, 16	EX8	DGJ		
14									CONNECTOR

SPRINTER (VA)
 SERIES L = LOWLINE
 LINE 3 = HD DODGE 2WD
 8 = HD DODGE 4WD
 6 = Lt. Duty DODGE 4WD
 2 = Med. Duty DODGE 2WD
 7 = Med. Duty DODGE 4WD
 4 = TRUCK
 BODY 12 = Van 140"
 51 = Wagon 118"
 52 = Wagon 140"
 14 = Van 118"
 15 = Van 140"
 16 = Van 158"
 54 = Wagon 118"
 55 = Wagon 140"
 56 = Wagon 158"
 01 = Chassis Forward Control 118"
 02 = Chassis Forward Control 140"
 06 = Front Section 158"
 11 = Van 118"
 ENGINE EX8 = Engine - 2.7L I5 Mercedes-Benz TD
 TRANSMISSION DGJ = Transmission - 5-Spd Auto, MB

AR = use ase required - = Non illustrated part

Switches - Instrument Panel
Figure 8-805



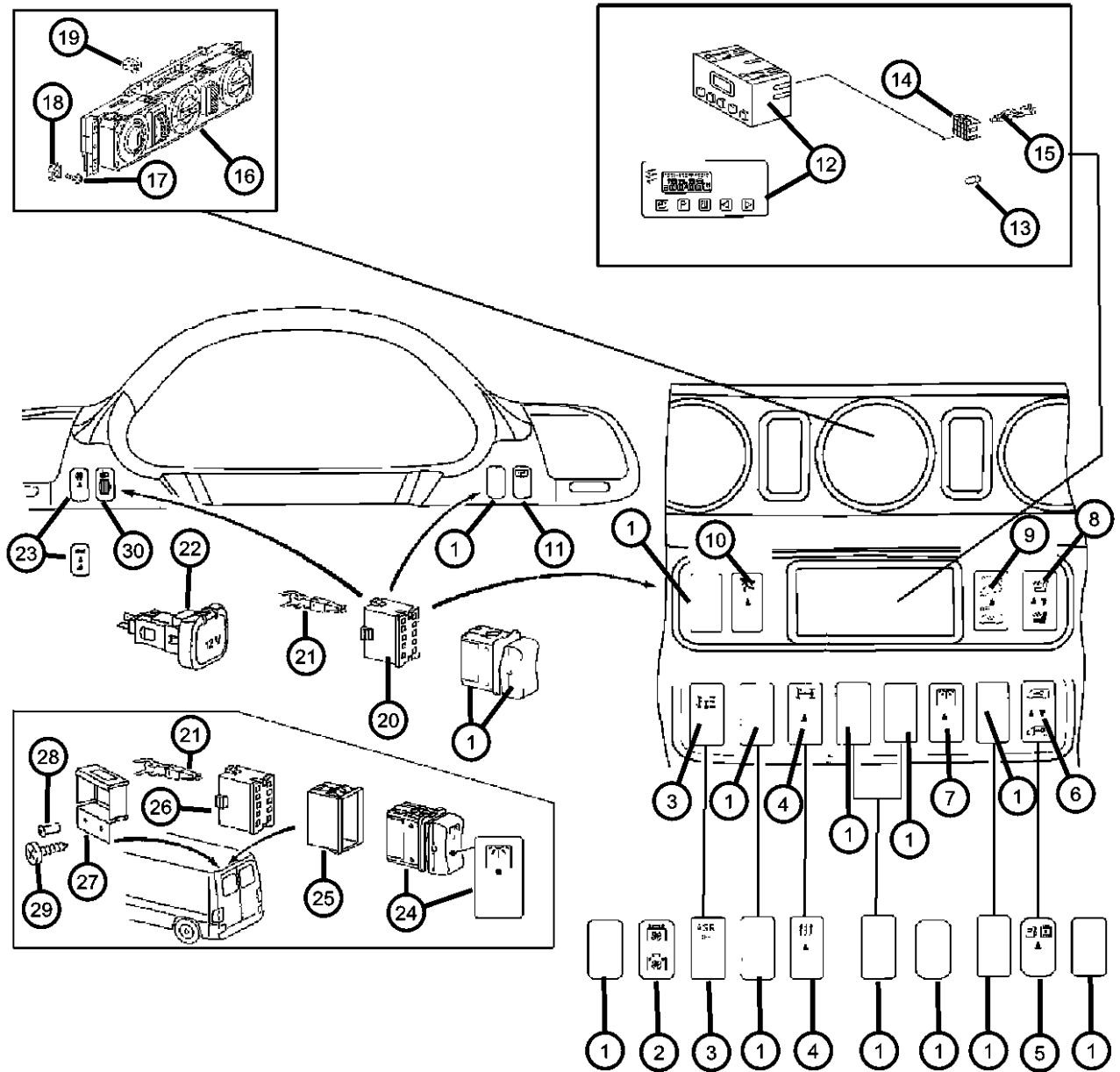
ITEM	PART NUMBER	QTY	LINE	SERIES	BODY	ENGINE	TRANS	TRIM	DESCRIPTION
	05120552AA	1	2, 6	L	01, 02, 06	EX8	DGJ		
		1	2, 6	L	11, 12, 14, 15, 16	EX8	DGJ		
		1	2, 6	L	51, 52, 54, 55, 56	EX8	DGJ		
		1	3, 7	L	02, 06	EX8	DGJ		
		1	3, 7	L	12, 15, 16	EX8	DGJ		
15	05103881AA	99	2, 6	L	01, 02, 06	EX8	DGJ		TERMINAL
		99	2, 6	L	11, 12, 14, 15, 16	EX8	DGJ		
		99	2, 6	L	51, 52, 54, 55, 56	EX8	DGJ		
		99	3, 7	L	02, 06	EX8	DGJ		
		99	3, 7	L	12, 15, 16	EX8	DGJ		
16	05103643AA	1	2, 6	L	01, 02, 06	EX8	DGJ		CONTROL, A/C And Heater [HAB]
		1	2, 6	L	11, 12, 14, 15, 16	EX8	DGJ		[HAB]
		1	2, 6	L	51, 52, 54, 55, 56	EX8	DGJ		[HAB]
		1	3, 7	L	02, 06	EX8	DGJ		[HAB]
		1	3, 7	L	12, 15, 16	EX8	DGJ		[HAB]
	05103644AA	1	2, 6	L	01, 02, 06	EX8	DGJ		[HAB,3JV]
		1	2, 6	L	11, 12, 14, 15, 16	EX8	DGJ		[HAB,3JV]
		1	2, 6	L	51, 52, 54, 55, 56	EX8	DGJ		[HAB,3JV]
		1	3, 7	L	02, 06	EX8	DGJ		[HAB,3JV]
		1	3, 7	L	12, 15, 16	EX8	DGJ		[HAB,3JV]
	05103690AA	1	2, 6	L	01, 02, 06	EX8	DGJ		
		1	2, 6	L	11, 12, 14, 15, 16	EX8	DGJ		

SPRINTER (VA)

SERIES	LINE	BODY	ENGINE	TRANSMISSION
L = LOWLINE	3 = HD DODGE 2WD 8 = HD DODGE 4WD 6 = Lt. Duty DODGE 4WD 2 = Med. Duty DODGE 2WD 7 = Med. Duty DODGE 4WD 4 = TRUCK	12 = Van 140" 51 = Wagon 118" 52 = Wagon 140" 14 = Van 118" 15 = Van 140" 16 = Van 158" 54 = Wagon 118" 55 = Wagon 140" 56 = Wagon 158" 01 = Chassis Forward Control 118" 02 = Chassis Forward Control 140" 06 = Front Section 158" 11 = Van 118"	EX8 = Engine - 2.7L I5 Mercedes-Benz TD	DGJ = Transmission - 5-Spd Auto, MB

AR = use ase required - = Non illustrated part

Switches - Instrument Panel
Figure 8-805

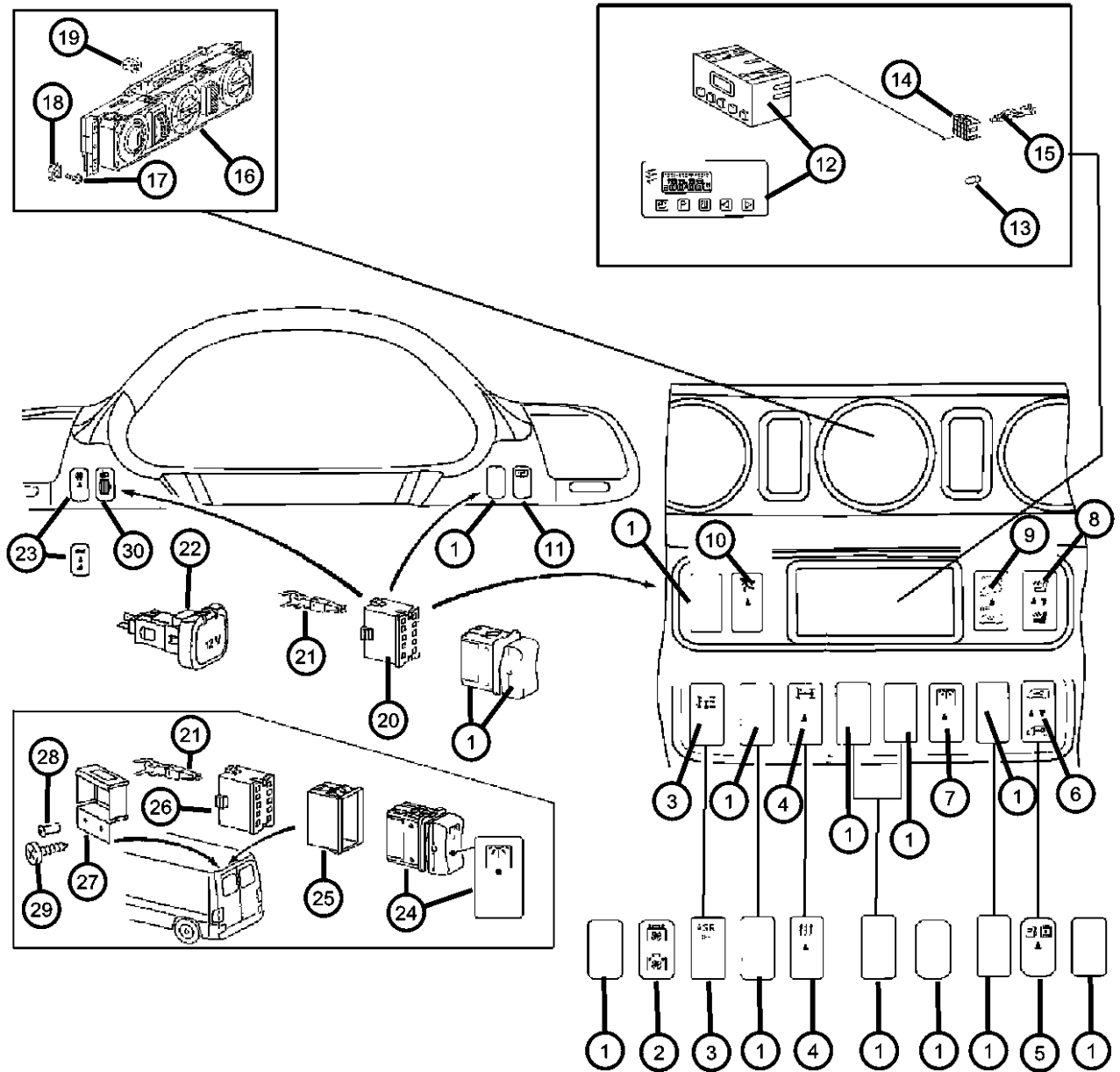


ITEM	PART NUMBER	QTY	LINE	SERIES	BODY	ENGINE	TRANS	TRIM	DESCRIPTION
		1	2, 6	L	51, 52, 54, 55, 56	EX8	DGJ		
		1	3, 7	L	02, 06	EX8	DGJ		
		1	3, 7	L	12, 15, 16	EX8	DGJ		
17	06104610AA	2	6, 2	L	01, 02, 06	EX8	DGJ		SCREW
		2	2, 6	L	11, 12, 14, 15, 16	EX8	DGJ		
		2	2, 6	L	51, 52, 54, 55, 56	EX8	DGJ		
		2	3, 7	L	02, 06	EX8	DGJ		
		2	3, 7	L	12, 15, 16	EX8	DGJ		
18	05125861AA	2	2, 6	L	01, 02, 06	EX8	DGJ		NUT, Spring
		2	2, 6	L	11, 12, 14, 15, 16	EX8	DGJ		
		2	3, 7	L	02, 06	EX8	DGJ		
		1	3, 7	L	12, 15, 16	EX8	DGJ		
		2	2, 6	L	51, 52, 54, 55, 56	EX8	DGJ		
19	05133468AA	1	2, 6	L	01, 02, 06	EX8	DGJ		BULB
		1	6, 2	L	11, 12, 14, 15, 16	EX8	DGJ		
		1	2, 6	L	51, 52, 54, 55, 56	EX8	DGJ		
		1	3, 7	L	02, 06	EX8	DGJ		
		1	3, 7	L	12, 15, 16	EX8	DGJ		
20	05120633AA	99	2, 6	L	51, 52, 54, 55, 56	EX8	DGJ		CONNECTOR
		99	2, 6	L	01, 02, 06	EX8	DGJ		

SPRINTER (VA)
 SERIES LINE BODY ENGINE TRANSMISSION
 L = LOWLINE 3 = HD DODGE 2WD 12 = Van 140" EX8 = Engine - 2.7L I5 DGJ = Transmission - 5-Spd Auto, MB
 8 = HD DODGE 4WD 51 = Wagon 118" Mercedes-Benz TD
 6 = Lt. Duty DODGE 4WD 52 = Wagon 140"
 2 = Med. Duty DODGE 2WD 14 = Van 118"
 7 = Med. Duty DODGE 4WD 15 = Van 140"
 4 = TRUCK 16 = Van 158"
 54 = Wagon 118"
 55 = Wagon 140"
 56 = Wagon 158"
 01 = Chassis Forward Control 118"
 02 = Chassis Forward Control 140"
 06 = Front Section 158"
 11 = Van 118"

AR = use ase required - = Non illustrated part

Switches - Instrument Panel
Figure 8-805

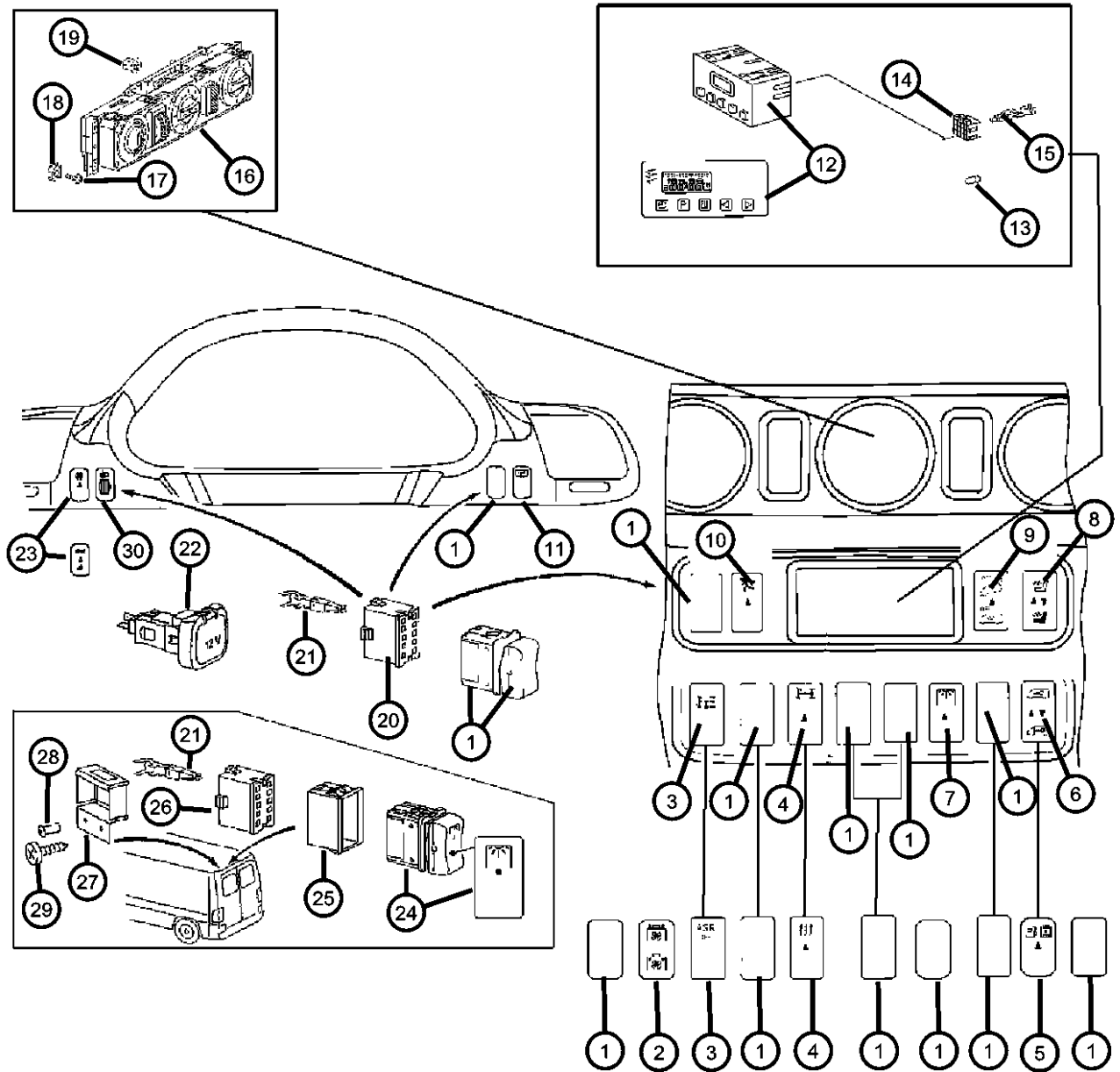


ITEM	PART NUMBER	QTY	LINE	SERIES	BODY	ENGINE	TRANS	TRIM	DESCRIPTION
		99	2, 6	L	11, 12, 14, 15, 16	EX8	DGJ		
		99	3, 7	L	02, 06	EX8	DGJ		
		99	3, 7	L	12, 15, 16	EX8	DGJ		
21	05103882AA	1	2, 6	L	01, 02, 06	EX8	DGJ		TERMINAL
		1	2, 6	L	11, 12, 14, 15, 16	EX8	DGJ		
		1	2, 6	L	51, 52, 54, 55, 56	EX8	DGJ		
		1	3, 7	L	02, 06	EX8	DGJ		
		1	3, 7	L	12, 15, 16	EX8	DGJ		
22	05103907AA	1	2, 6	L	11, 12, 14, 15, 16	EX8	DGJ		CONTROL, Air Conditioning
		1	2, 6	L	51, 52, 54, 55, 56	EX8	DGJ		
		1	3, 7	L	12, 15, 16	EX8	DGJ		
23	05103864AA	1	2, 6	L	01, 02, 06	EX8	DGJ		SWITCH, Fog Lamp
		1	2, 6	L	11, 12, 14, 15, 16	EX8	DGJ		
		1	2, 6	L	51, 52, 54, 55, 56	EX8	DGJ		
		1	3, 7	L	02, 06	EX8	DGJ		
		1	3, 7	L	12, 15, 16	EX8	DGJ		
24	05103844AA	1	2, 6	L	11, 12, 14, 15, 16	EX8	DGJ		SWITCH, Cargo Lamp
		1	3, 7	L	02, 06	EX8	DGJ		
	05120450AA	1	2, 6	L	01, 02, 06	EX8	DGJ		[XZG]
		1	3, 7	L	02, 06	EX8	DGJ		[XZG]

SPRINTER (VA)
 SERIES LINE BODY ENGINE TRANSMISSION
 L = LOWLINE 3 = HD DODGE 2WD 12 = Van 140" EX8 = Engine - 2.7L I5 DGJ = Transmission - 5-Spd Auto, MB
 8 = HD DODGE 4WD 51 = Wagon 118" Mercedes-Benz TD
 6 = Lt. Duty DODGE 4WD 52 = Wagon 140"
 2 = Med. Duty DODGE 2WD 14 = Van 118"
 7 = Med. Duty DODGE 4WD 15 = Van 140"
 4 = TRUCK 16 = Van 158"
 54 = Wagon 118"
 55 = Wagon 140"
 56 = Wagon 158"
 01 = Chassis Forward Control 118"
 02 = Chassis Forward Control 140"
 06 = Front Section 158"
 11 = Van 118"

AR = use ase required - = Non illustrated part

Switches - Instrument Panel
Figure 8-805



ITEM	PART NUMBER	QTY	LINE	SERIES	BODY	ENGINE	TRANS	TRIM	DESCRIPTION
		1	3, 7	L	12, 15, 16	EX8	DGJ		[XZG]
		1	3, 7	L	12, 15, 16	EX8	DGJ		
25									HOUSING, Switch
	05120247AA	2	3, 7	L	12, 15, 16	EX8	DGJ		
		2	2, 6	L	11, 12, 14, 15, 16	EX8	DGJ		
26									CONNECTOR
	05120596AA	2	2, 6	L	11, 12, 14, 15, 16	EX8	DGJ		
		2	3, 7	L	12, 15, 16	EX8	DGJ		
27									COVER, Switch
	05104354AA	2	2, 6	L	01, 02, 06	EX8	DGJ		
		2	2, 6	L	11, 12, 14, 15, 16	EX8	DGJ		
		2	2, 6	L	51, 52, 54, 55, 56	EX8	DGJ		
		2	3, 7	L	02, 06	EX8	DGJ		
		2	3, 7	L	12, 15, 16	EX8	DGJ		
28									RIVET
	05103838AA	4	2, 6	L	01, 02, 06	EX8	DGJ		
		4	2, 6	L	11, 12, 14, 15, 16	EX8	DGJ		
		4	2, 6	L	51, 52, 54, 55, 56	EX8	DGJ		
		4	3, 7	L	02, 06	EX8	DGJ		
		4	3, 7	L	12, 15, 16	EX8	DGJ		
29									SCREW
	05126272AA	1	2, 6	L	51, 52, 54, 55, 56	EX8	DGJ		
		1	3, 7	L	12, 15, 16	EX8	DGJ		
		1	2, 6	L	11, 12, 14, 15, 16	EX8	DGJ		

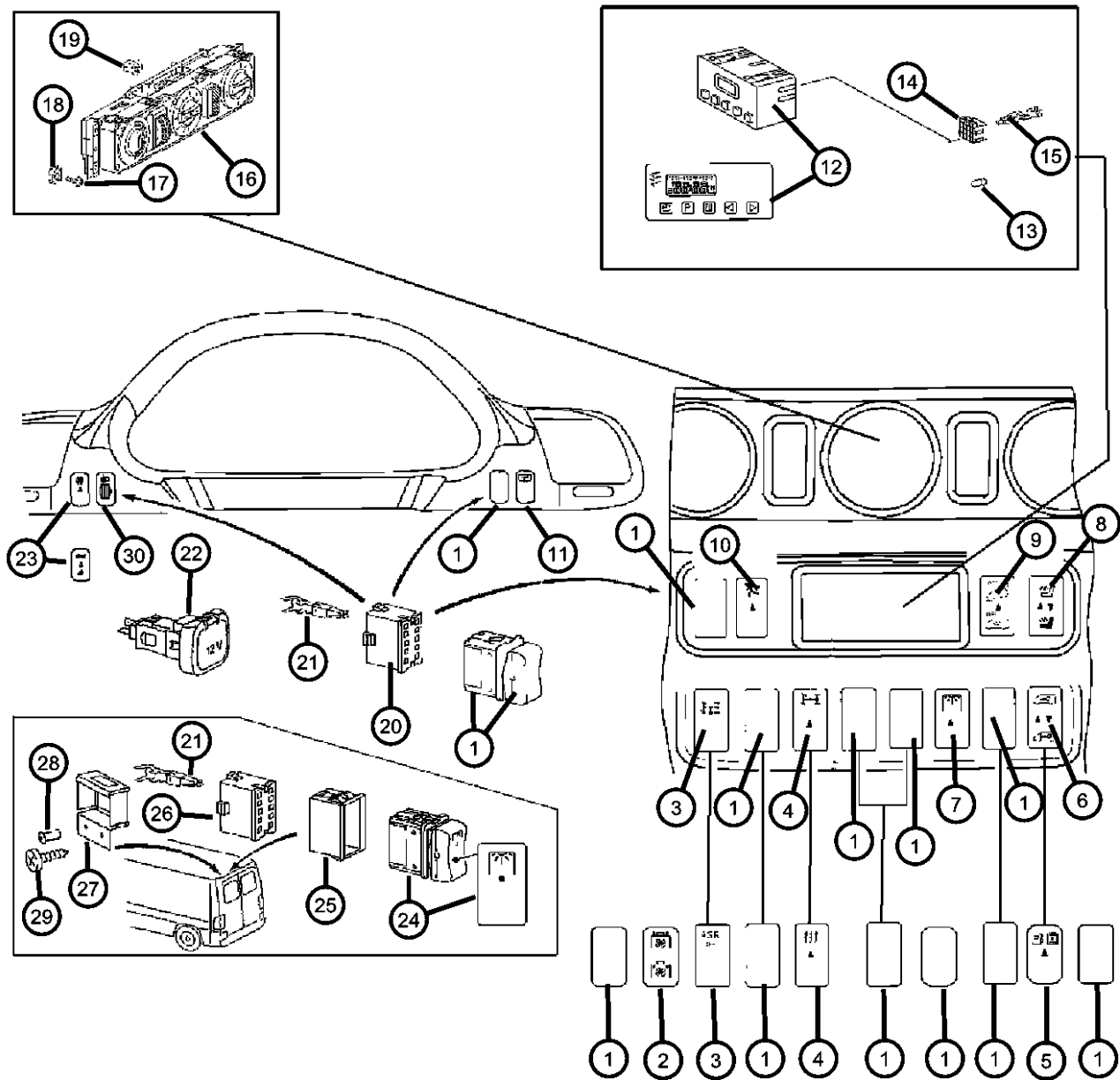
SPRINTER (VA)

SERIES	LINE	BODY	ENGINE	TRANSMISSION
L = LOWLINE	3 = HD DODGE 2WD 8 = HD DODGE 4WD 6 = Lt. Duty DODGE 4WD 2 = Med. Duty DODGE 2WD 7 = Med. Duty DODGE 4WD 4 = TRUCK	12 = Van 140" 51 = Wagon 118" 52 = Wagon 140" 14 = Van 118" 15 = Van 140" 16 = Van 158" 54 = Wagon 118" 55 = Wagon 140" 56 = Wagon 158" 01 = Chassis Forward Control 118" 02 = Chassis Forward Control 140" 06 = Front Section 158" 11 = Van 118"	EX8 = Engine - 2.7L I5 Mercedes-Benz TD	DGJ = Transmission - 5-Spd Auto, MB

AR = use ase required - = Non illustrated part

Switches - Instrument Panel
Figure 8-805

ITEM	PART NUMBER	QTY	LINE	SERIES	BODY	ENGINE	TRANS	TRIM	DESCRIPTION
30									SWITCH, Headlamp Leveling
	05103658AA	1	2, 6	L	01, 02, 06	EX8	DGJ		
		1	2, 6	L	11, 12, 14, 15, 16	EX8	DGJ		
		1	2, 6	L	51, 52, 54, 55, 56	EX8	DGJ		
		1	3, 7	L	02, 06	EX8	DGJ		
		1	3, 7	L	12, 15, 16	EX8	DGJ		



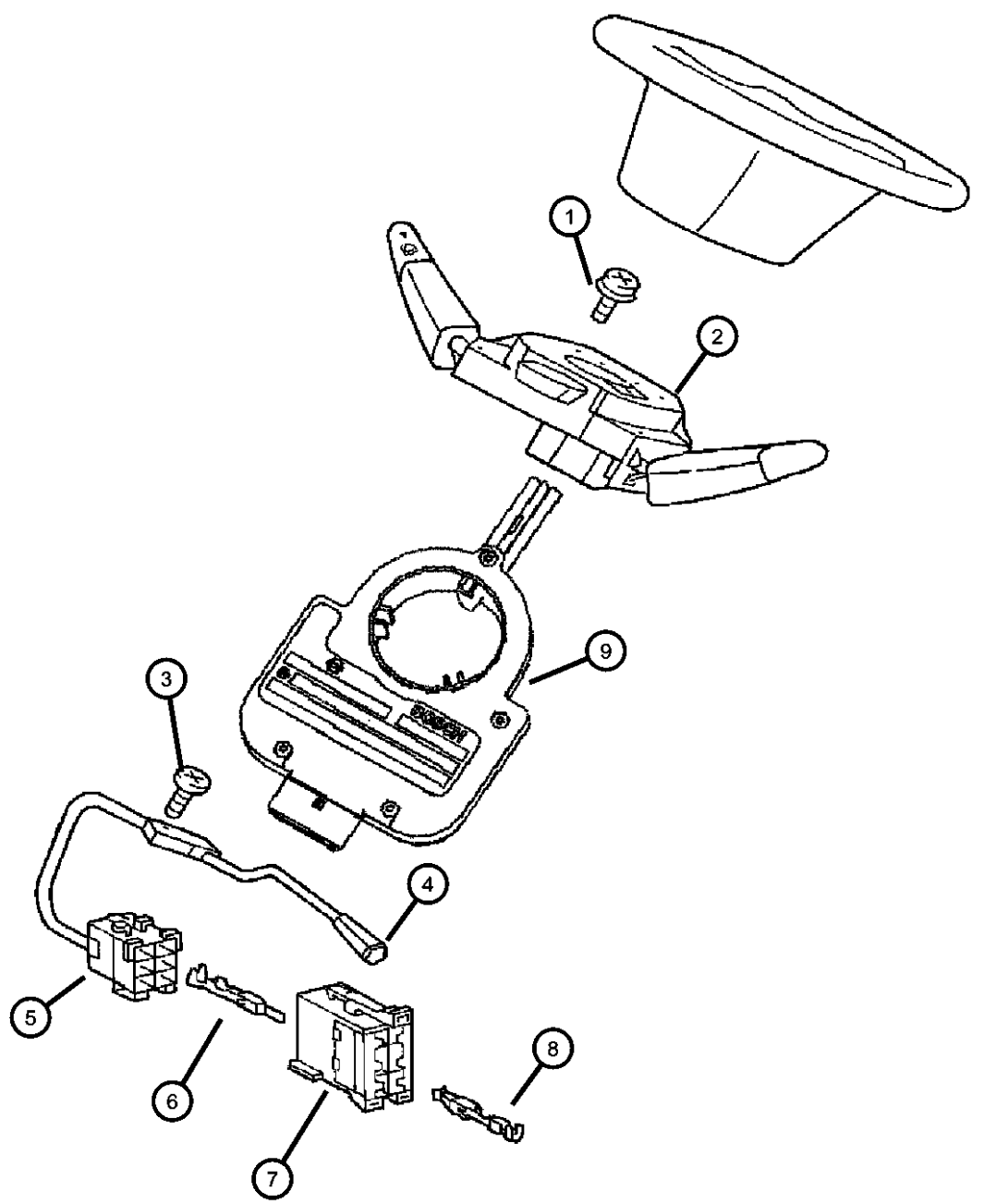
SPRINTER (VA)

SERIES	LINE	BODY	ENGINE	TRANSMISSION
L = LOWLINE	3 = HD DODGE 2WD 8 = HD DODGE 4WD 6 = Lt. Duty DODGE 4WD 2 = Med. Duty DODGE 2WD 7 = Med. Duty DODGE 4WD 4 = TRUCK	12 = Van 140" 51 = Wagon 118" 52 = Wagon 140" 14 = Van 118" 15 = Van 140" 16 = Van 158" 54 = Wagon 118" 55 = Wagon 140" 56 = Wagon 158" 01 = Chassis Forward Control 118" 02 = Chassis Forward Control 140" 06 = Front Section 158" 11 = Van 118"	EX8 = Engine - 2.7L I5 Mercedes-Benz TD	DGJ = Transmission - 5-Spd Auto, MB

AR = use ase required - = Non illustrated part

Switches -Steering Column
Figure 8-810

ITEM	PART NUMBER	QTY	LINE	SERIES	BODY	ENGINE	TRANS	TRIM	DESCRIPTION
------	-------------	-----	------	--------	------	--------	-------	------	-------------



1									SCREW
	05104636AA	2	2, 6	L	01, 02, 06	EX8	DGJ		
		2	2, 6	L	11, 12, 14, 15, 16	EX8	DGJ		
		2	2, 6	L	51, 52, 54, 55, 56	EX8	DGJ		
		2	3, 7	L	02, 06	EX8	DGJ		
		2	3, 7	L	12, 15, 16	EX8	DGJ		
2									SWITCH, Steering column
	05103539AA	1	2, 6	L	01, 02	EX8	DGJ		158' WB
		1	2, 6	L	06	EX8	DGJ		158' WB
		1	2, 6	L	16	EX8	DGJ		158' WB
		1	2, 6	L	56	EX8	DGJ		158' WB
		1	3, 7	L	02	EX8	DGJ		158' WB
	05103745AA	1	2, 6	L	01, 02	EX8	DGJ		118 and 140' WB
		1	2, 6	L	11, 12, 14, 15	EX8	DGJ		118 and 140' WB
		1	3, 7	L	12, 15	EX8	DGJ		118 and 140' WB
		1	2, 6	L	51, 52, 54, 55	EX8	DGJ		118 and 140' WB
3									SCREW
	05126175AA	1	2, 6	L	01, 02, 06	EX8	DGJ		
		1	2, 6	L	11, 12, 14, 15, 16	EX8	DGJ		
		1	2, 6	L	51, 52, 54, 55, 56	EX8	DGJ		
		1	3, 7	L	02, 06	EX8	DGJ		
		1	3, 7	L	12, 15, 16	EX8	DGJ		
4									SWITCH, Speed Control
	05103744AA	1	2, 6	L	01, 02, 06	EX8	DGJ		
		1	2, 6	L	11, 12, 14, 15, 16	EX8	DGJ		

SPRINTER (VA)

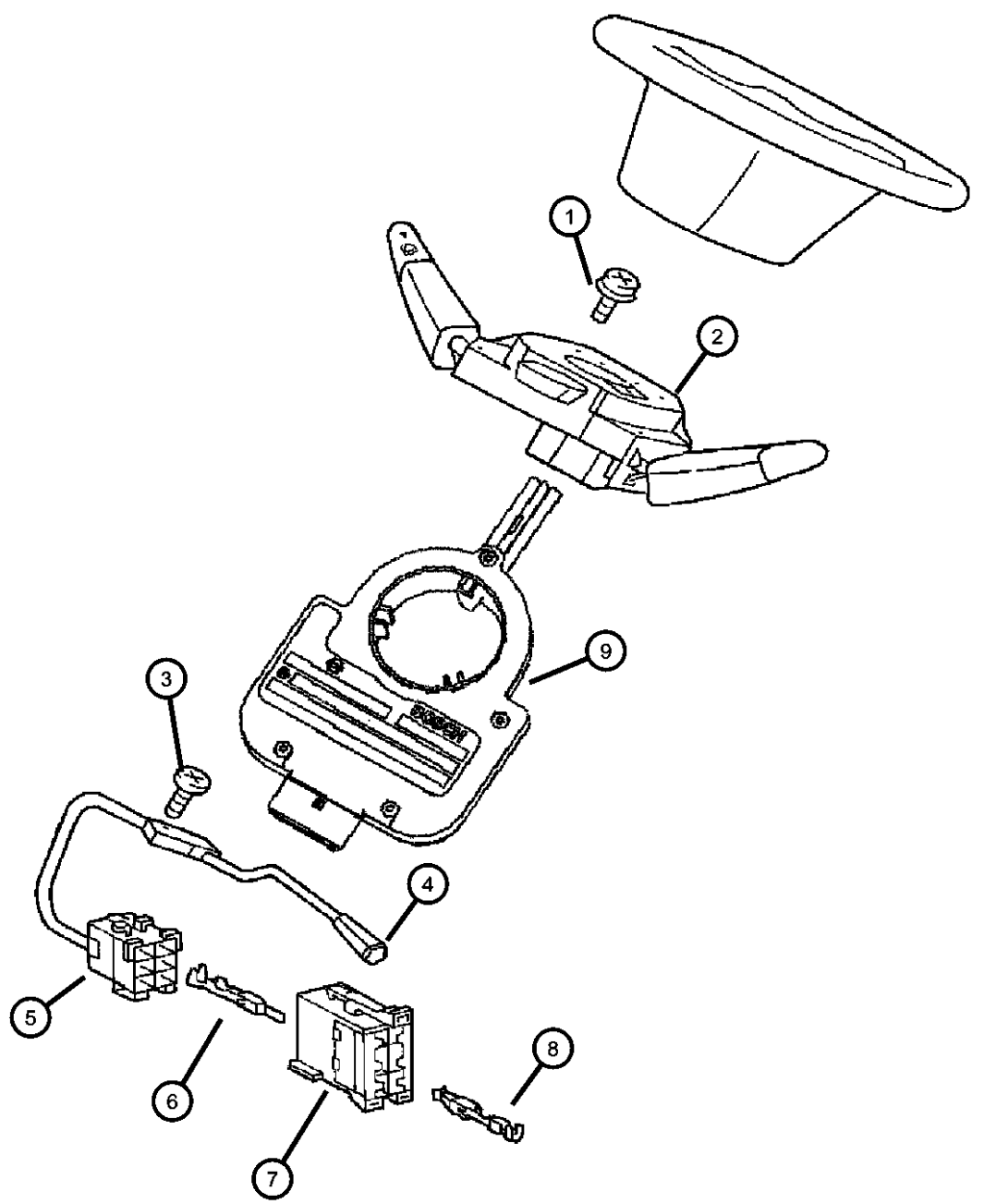
SERIES	LINE	BODY	ENGINE	TRANSMISSION
L = LOWLINE	3 = HD DODGE 2WD	12 = Van 140"	EX8 = Engine - 2.7L I5	DGJ = Transmission - 5-Spd Auto, MB
	8 = HD DODGE 4WD	51 = Wagon 118"	Mercedes-Benz TD	
	6 = Lt. Duty DODGE 4WD	52 = Wagon 140"		
	2 = Med. Duty DODGE 2WD	14 = Van 118"		
	7 = Med. Duty DODGE 4WD	15 = Van 140"		
	4 = TRUCK	16 = Van 158"		
		54 = Wagon 118"		
		55 = Wagon 140"		
		56 = Wagon 158"		
		01 = Chassis Forward Control		
		118"		
		02 = Chassis Forward Control		
		140"		
		06 = Front Section 158"		
		11 = Van 118"		

AR = use ase required - = Non illustrated part

2005 VA

Switches -Steering Column
Figure 8-810

ITEM	PART NUMBER	QTY	LINE	SERIES	BODY	ENGINE	TRANS	TRIM	DESCRIPTION
------	-------------	-----	------	--------	------	--------	-------	------	-------------



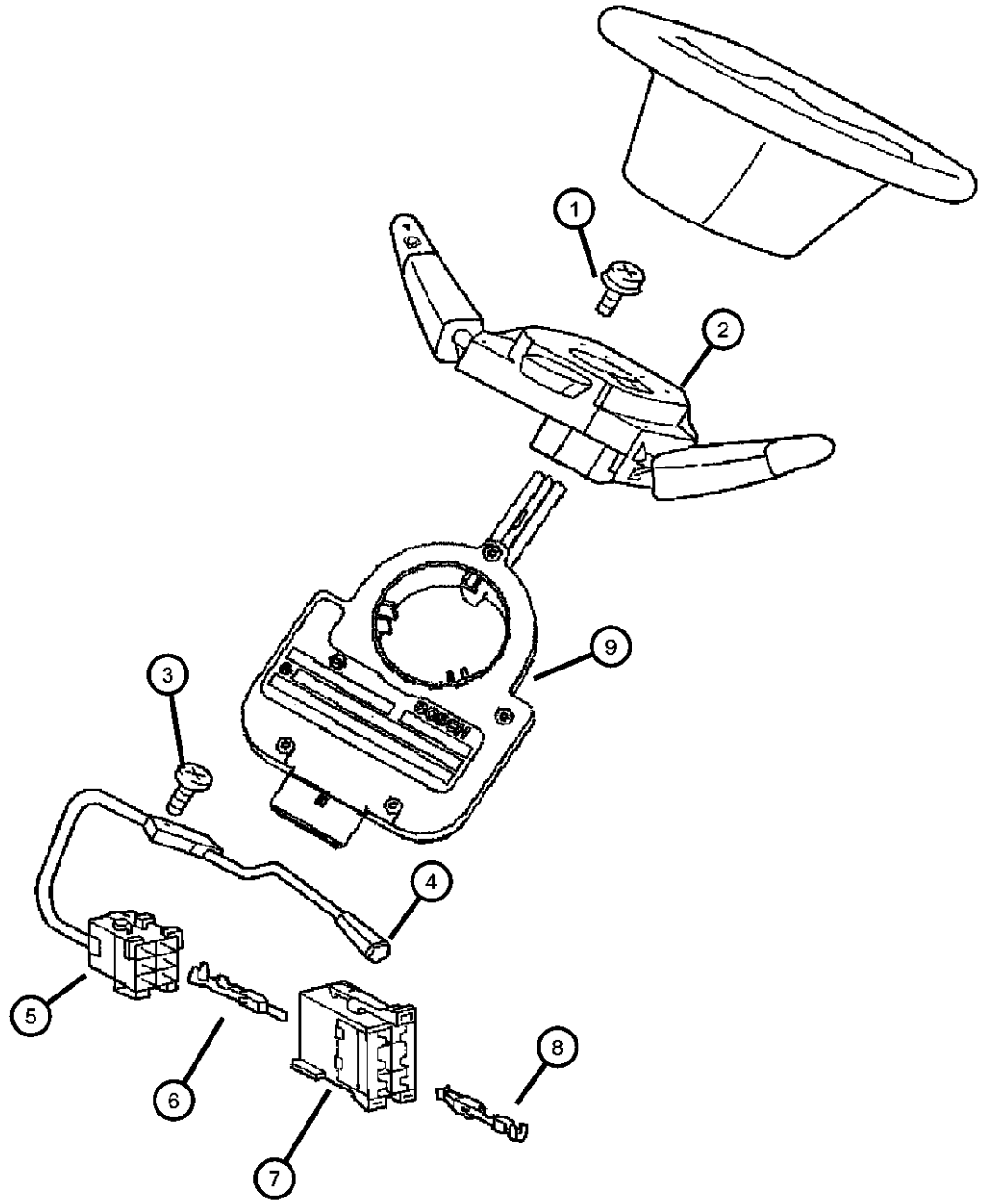
		1	2, 6	L	51, 52, 54, 55, 56	EX8	DGJ		
		1	3, 7	L	02, 06	EX8	DGJ		
		1	3, 7	L	12, 15, 16	EX8	DGJ		
5	05120792AA	1	2, 6	L	11, 12, 14, 15, 16	EX8	DGJ		INSULATOR, 6 Way
		1	2, 6	L	51, 52, 54, 55, 56	EX8	DGJ		
		1	3, 7	L	02, 06	EX8	DGJ		
		1	3, 7	L	12, 15, 16	EX8	DGJ		
		1	2, 6	L	01, 02, 06	EX8	DGJ		
6	05133909AA	99	2, 6	L	01, 02, 06	EX8	DGJ		TERMINAL, Male
		99	2, 6	L	11, 12, 14, 15, 16	EX8	DGJ		
		99	2, 6	L	51, 52, 54, 55, 56	EX8	DGJ		
		99	3, 7	L	02, 06	EX8	DGJ		
		99	3, 7	L	12, 15, 16	EX8	DGJ		
7	05120786AA	1	2, 6	L	11, 12, 14, 15, 16	EX8	DGJ		CONNECTOR
		1	2, 6	L	51, 52, 54, 55, 56	EX8	DGJ		
		1	3, 7	L	02, 06	EX8	DGJ		
		1	3, 7	L	12, 15, 16	EX8	DGJ		
		1	2, 6	L	01, 02, 06	EX8	DGJ		
8	05133478AA	99	2, 6	L	01, 02, 06	EX8	DGJ		TERMINAL
		99	2, 6	L	11, 12, 14, 15, 16	EX8	DGJ		

SPRINTER (VA)

SERIES	LINE	BODY	ENGINE	TRANSMISSION
L = LOWLINE	3 = HD DODGE 2WD 8 = HD DODGE 4WD 6 = Lt. Duty DODGE 4WD 2 = Med. Duty DODGE 2WD 7 = Med. Duty DODGE 4WD 4 = TRUCK	12 = Van 140" 51 = Wagon 118" 52 = Wagon 140" 14 = Van 118" 15 = Van 140" 16 = Van 158" 54 = Wagon 118" 55 = Wagon 140" 56 = Wagon 158" 01 = Chassis Forward Control 118" 02 = Chassis Forward Control 140" 06 = Front Section 158" 11 = Van 118"	EX8 = Engine - 2.7L I5 Mercedes-Benz TD	DGJ = Transmission - 5-Spd Auto, MB

Switches -Steering Column
Figure 8-810

ITEM	PART NUMBER	QTY	LINE	SERIES	BODY	ENGINE	TRANS	TRIM	DESCRIPTION
------	-------------	-----	------	--------	------	--------	-------	------	-------------



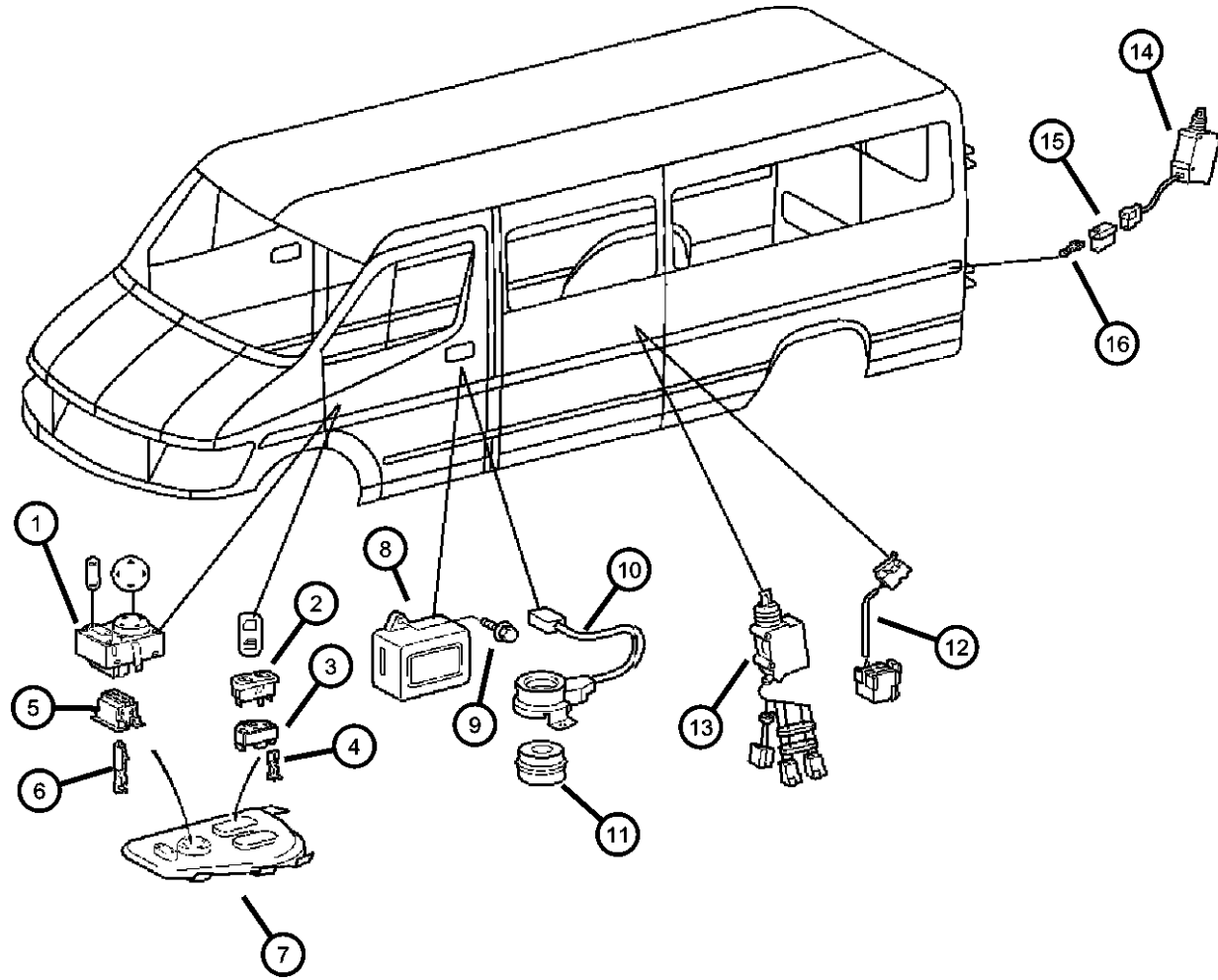
		99	3, 7	L	02, 06	EX8	DGJ		
		99	3, 7	L	12, 15, 16	EX8	DGJ		
		99	2, 6	L	51, 52, 54, 55, 56	EX8	DGJ		
9	05129606AA	1	2, 6	L	01, 02, 06	EX8	DGJ		SENSOR, Steering Wheel Angle
		1	2, 6	L	11, 12, 14, 15, 16	EX8	DGJ		
		1	2, 6	L	51, 52, 54, 55, 56	EX8	DGJ		

SPRINTER (VA)

SERIES	LINE	BODY	ENGINE	TRANSMISSION
L = LOWLINE	3 = HD DODGE 2WD	12 = Van 140"	EX8 = Engine - 2.7L I5	DGJ = Transmission - 5-Spd Auto, MB
	8 = HD DODGE 4WD	51 = Wagon 118"	Mercedes-Benz TD	
	6 = Lt. Duty DODGE 4WD	52 = Wagon 140"		
	2 = Med. Duty DODGE 2WD	14 = Van 118"		
	7 = Med. Duty DODGE 4WD	15 = Van 140"		
	4 = TRUCK	16 = Van 158"		
		54 = Wagon 118"		
		55 = Wagon 140"		
		56 = Wagon 158"		
		01 = Chassis Forward Control 118"		
		02 = Chassis Forward Control 140"		
		06 = Front Section 158"		
		11 = Van 118"		

AR = use ase required - = Non illustrated part

Switches - Doors
Figure 8-815



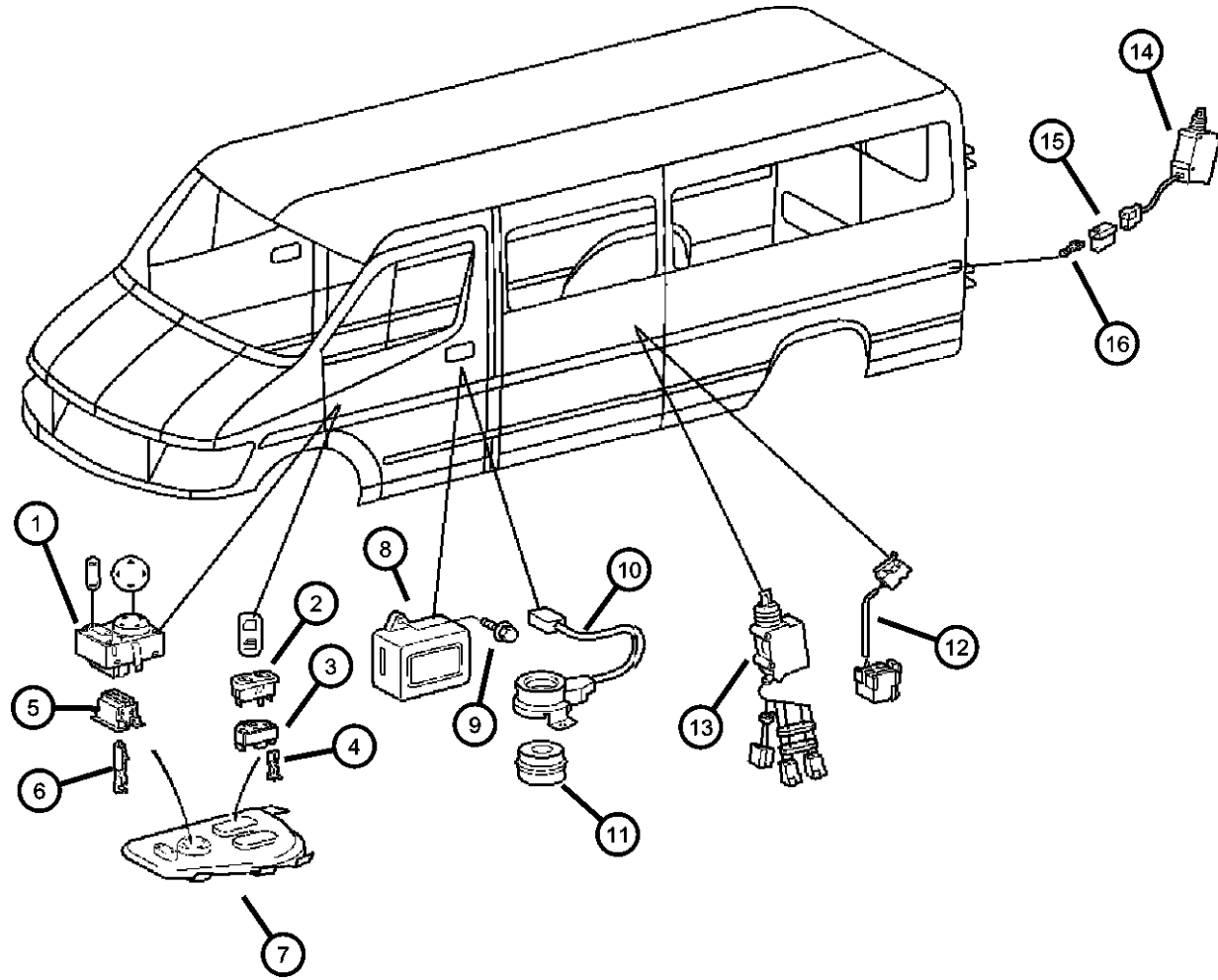
ITEM	PART NUMBER	QTY	LINE	SERIES	BODY	ENGINE	TRANS	TRIM	DESCRIPTION
1	05103845AA	1	2, 6	L	01, 02, 06	EX8	DGJ		SWITCH, Mirror [GTB]
		1	6, 2	L	11, 12, 14, 15, 16	EX8	DGJ		[GTB]
		1	2, 6	L	51, 52, 54, 55, 56	EX8	DGJ		[GTB]
		1	3, 7	L	02, 06	EX8	DGJ		[GTB]
		1	3, 7	L	12, 15, 16	EX8	DGJ		[GTB]
2	05103856AA	2	2, 6	L	01, 02, 06	EX8	DGJ		SWITCH, Power Window
		2	3, 7	L	02, 06	EX8	DGJ		
		2	2, 6	L	11, 12, 14, 15, 16	EX8	DGJ		
		2	2, 6	L	51, 52, 54, 55, 56	EX8	DGJ		
		2	3, 7	L	12, 15, 16	EX8	DGJ		
3	05120604AA	1	2, 6	L	01, 02, 06	EX8	DGJ		CONNECTOR
		1	2, 6	L	11, 12, 14, 15, 16	EX8	DGJ		
		1	2, 6	L	51, 52, 54, 55, 56	EX8	DGJ		
		1	3, 7	L	02, 06	EX8	DGJ		
		1	3, 7	L	12, 15, 16	EX8	DGJ		
4	05133519AA	99	2, 6	L	01, 02, 06	EX8	DGJ		TERMINAL, Female
		99	2, 6	L	11, 12, 14, 15, 16	EX8	DGJ		
		99	2, 6	L	51, 52, 54, 55, 56	EX8	DGJ		
		99	3, 7	L	02, 06	EX8	DGJ		
		99	3, 7	L	12, 15, 16	EX8	DGJ		
5								CONNECTOR	

SPRINTER (VA)

SERIES	LINE	BODY	ENGINE	TRANSMISSION
L = LOWLINE	3 = HD DODGE 2WD 8 = HD DODGE 4WD 6 = Lt. Duty DODGE 4WD 2 = Med. Duty DODGE 2WD 7 = Med. Duty DODGE 4WD 4 = TRUCK	12 = Van 140" 51 = Wagon 118" 52 = Wagon 140" 14 = Van 118" 15 = Van 140" 16 = Van 158" 54 = Wagon 118" 55 = Wagon 140" 56 = Wagon 158" 01 = Chassis Forward Control 118" 02 = Chassis Forward Control 140" 06 = Front Section 158" 11 = Van 118"	EX8 = Engine - 2.7L I5 Mercedes-Benz TD	DGJ = Transmission - 5-Spd Auto, MB

AR = use ase required - = Non illustrated part

Switches - Doors
Figure 8-815



ITEM	PART NUMBER	QTY	LINE	SERIES	BODY	ENGINE	TRANS	TRIM	DESCRIPTION
	05120782AA	1	2, 6	L	01, 02, 06	EX8	DGJ		
		1	2, 6	L	11, 12, 14, 15, 16	EX8	DGJ		
		1	2, 6	L	51, 52, 54, 55, 56	EX8	DGJ		
		1	3, 7	L	02, 06	EX8	DGJ		
		1	3, 7	L	12, 15, 16	EX8	DGJ		
6	05103873AA	99	2, 6	L	01, 02, 06	EX8	DGJ		TERMINAL
		99	2, 6	L	11, 12, 14, 15, 16	EX8	DGJ		
		99	2, 6	L	51, 52, 54, 55, 56	EX8	DGJ		
		99	3, 7	L	02, 06	EX8	DGJ		
		99	3, 7	L	12, 15, 16	EX8	DGJ		
7	05123790AA	1	2, 6	L	01, 02, 06	EX8	DGJ		BEZEL, Power Window/Door Lock Switch Left
		1	2, 6	L	11, 12, 14, 15, 16	EX8	DGJ		Left
		1	2, 6	L	51, 52, 54, 55, 56	EX8	DGJ		Left
	05123791AA	1	2, 6	L	11, 12, 14, 15, 16	EX8	DGJ		Right
		1	2, 6	L	51, 52, 54, 55, 56	EX8	DGJ		Right
		1	3, 7	L	02, 06	EX8	DGJ		Right
		1	3, 7	L	02, 06	EX8	DGJ		Left
		1	3, 7	L	12, 15, 16	EX8	DGJ		Left
		1	2, 6	L	01, 02, 06	EX8	DGJ		Right
		1	3, 7	L	12, 15, 16	EX8	DGJ		Right
8									WSP CONTROL UNIT, Remote Control Key

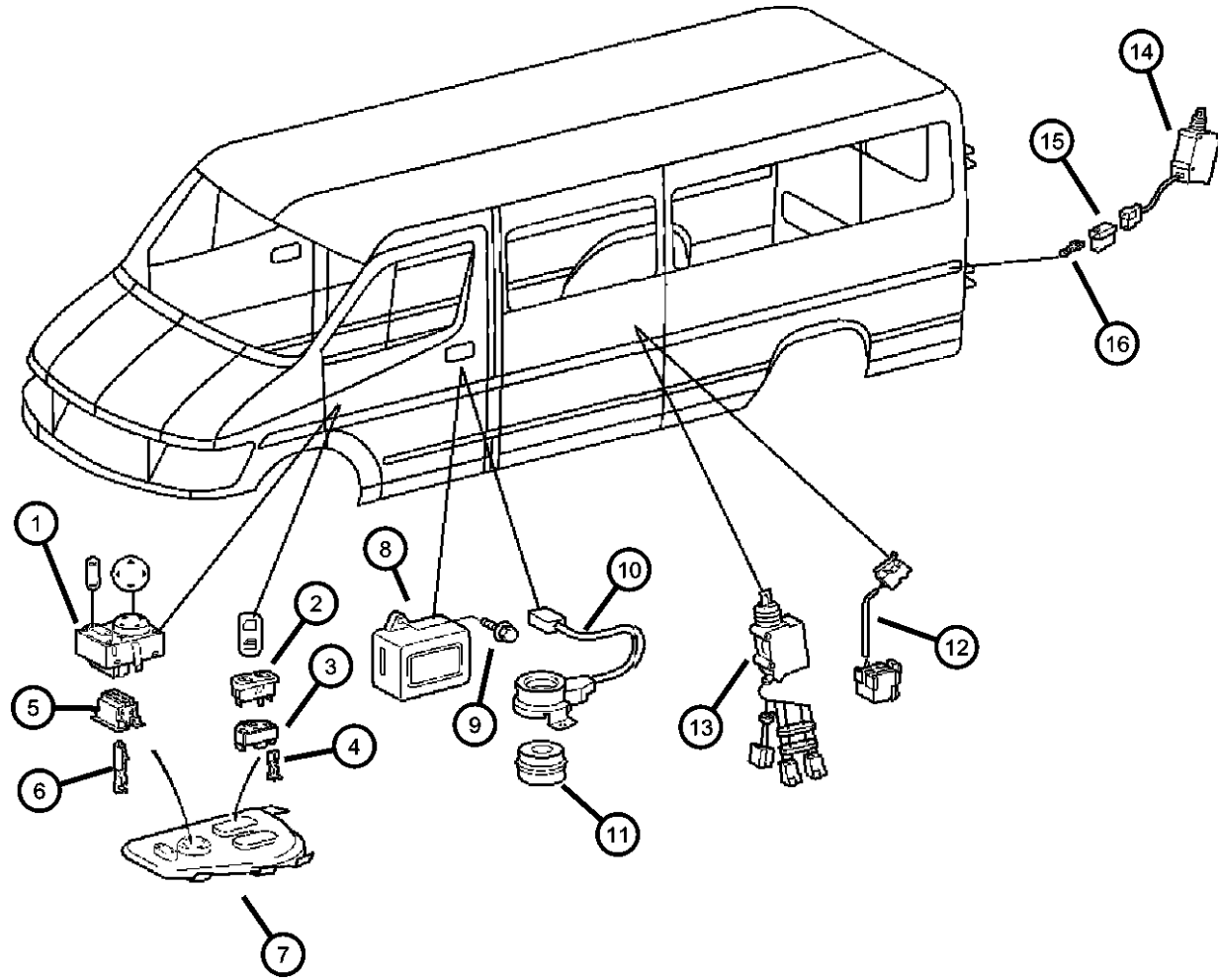
SPRINTER (VA)

SERIES	LINE	BODY	ENGINE	TRANSMISSION
L = LOWLINE	3 = HD DODGE 2WD	12 = Van 140"	EX8 = Engine - 2.7L I5	DGJ = Transmission - 5-Spd Auto, MB
	8 = HD DODGE 4WD	51 = Wagon 118"	Mercedes-Benz TD	
	6 = Lt. Duty DODGE 4WD	52 = Wagon 140"		
	2 = Med. Duty DODGE 2WD	14 = Van 118"		
	7 = Med. Duty DODGE 4WD	15 = Van 140"		
	4 = TRUCK	16 = Van 158"		
		54 = Wagon 118"		
		55 = Wagon 140"		
		56 = Wagon 158"		
		01 = Chassis Forward Control		
		118"		
		02 = Chassis Forward Control		
		140"		
		06 = Front Section 158"		
		11 = Van 118"		

AR = use ase required - = Non illustrated part

2005 VA

Switches - Doors
Figure 8-815



ITEM	PART NUMBER	QTY	LINE	SERIES	BODY	ENGINE	TRANS	TRIM	DESCRIPTION
	05135344AA	1	2, 6	L	11, 12, 14, 15, 16	EX8	DGJ		
		1	6, 2	L	51, 52, 54, 55, 56	EX8	DGJ		
		1	3, 7	L	02, 06	EX8	DGJ		
		1	3, 7	L	12, 15, 16	EX8	DGJ		
	05135345AA	1	2, 6	L	01, 02, 06	EX8	DGJ		[JPB]
		1	2, 6	L	11, 12, 14, 15, 16	EX8	DGJ		[JPB]
		1	2, 6	L	51, 52, 54, 55, 56	EX8	DGJ		[JPB]
		1	3, 7	L	02, 06	EX8	DGJ		[JPB]
		1	3, 7	L	12, 15, 16	EX8	DGJ		[JPB]
		1	2, 6	L	01, 02, 06	EX8	DGJ		[JPB]
9									SCREW, Tapping
	06104574AA	2	2, 6	L	11, 12, 14, 15, 16	EX8	DGJ		
		2	2, 6	L	51, 52, 54, 55, 56	EX8	DGJ		
		2	3, 7	L	02, 06	EX8	DGJ		
		2	3, 7	L	12, 15, 16	EX8	DGJ		
10									TRANSPONDER, Steering Wheel
	05120812AA	1	2, 6	L	01, 02, 06	EX8	DGJ		
		1	2, 6	L	11, 12, 14, 15, 16	EX8	DGJ		
		1	2, 6	L	51, 52, 54, 55, 56	EX8	DGJ		
		1	3, 7	L	02, 06	EX8	DGJ		
		1	3, 7	L	12, 15, 16	EX8	DGJ		
11									RING
	05104593AA	1	2, 6	L	01, 02, 06	EX8	DGJ		
		1	2, 6	L	11, 12, 14, 15, 16	EX8	DGJ		

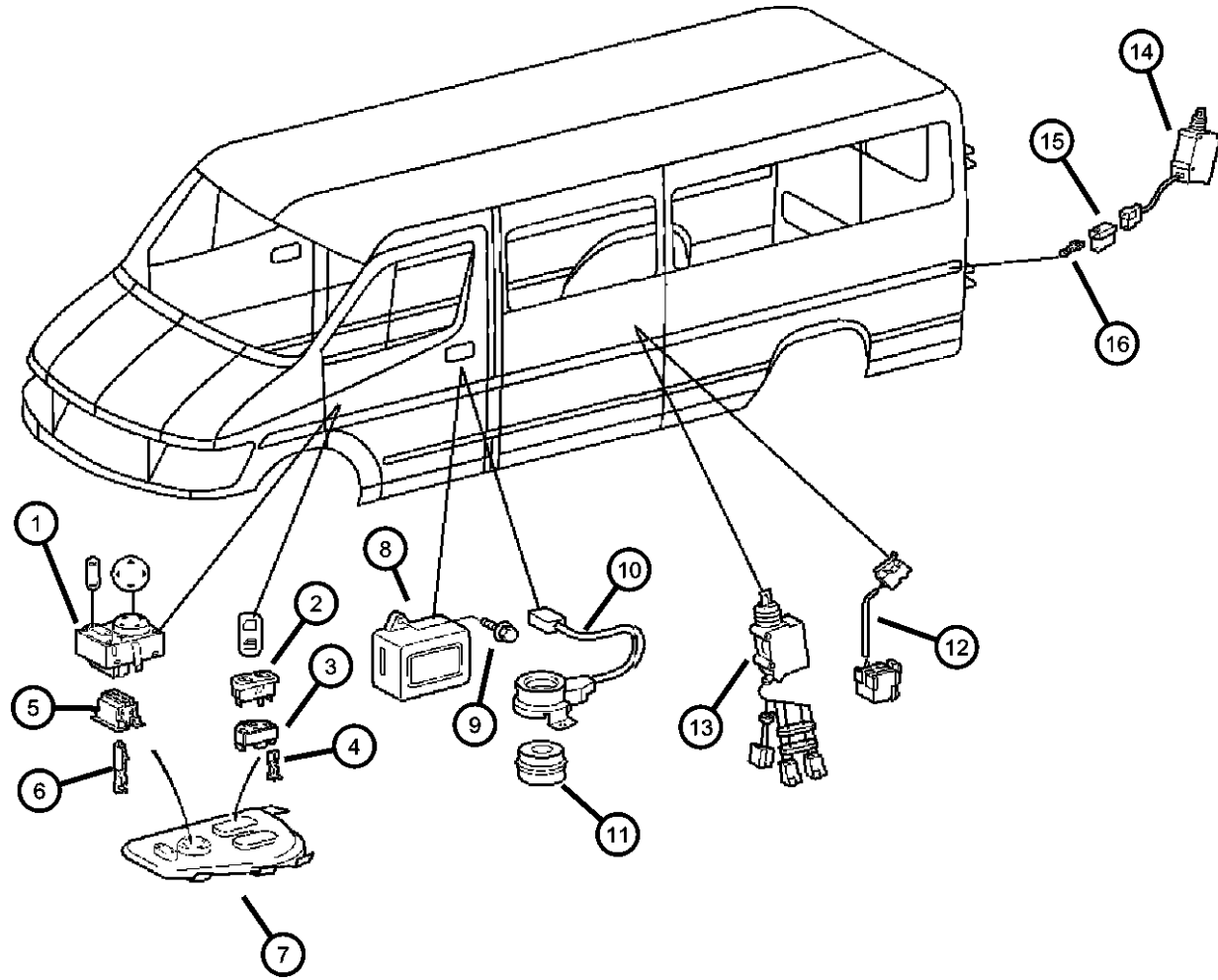
SPRINTER (VA)

SERIES	LINE	BODY	ENGINE	TRANSMISSION
L = LOWLINE	3 = HD DODGE 2WD	12 = Van 140"	EX8 = Engine - 2.7L I5	DGJ = Transmission - 5-Spd Auto, MB
	8 = HD DODGE 4WD	51 = Wagon 118"	Mercedes-Benz TD	
	6 = Lt. Duty DODGE 4WD	52 = Wagon 140"		
	2 = Med. Duty DODGE 2WD	14 = Van 118"		
	7 = Med. Duty DODGE 4WD	15 = Van 140"		
	4 = TRUCK	16 = Van 158"		
		54 = Wagon 118"		
		55 = Wagon 140"		
		56 = Wagon 158"		
		01 = Chassis Forward Control 118"		
		02 = Chassis Forward Control 140"		
		06 = Front Section 158"		
		11 = Van 118"		

AR = use ase required - = Non illustrated part

2005 VA

Switches - Doors
Figure 8-815



ITEM	PART NUMBER	QTY	LINE	SERIES	BODY	ENGINE	TRANS	TRIM	DESCRIPTION
		1	2, 6	L	51, 52, 54, 55, 56	EX8	DGJ		
		1	3, 7	L	02, 06	EX8	DGJ		
		1	3, 7	L	12, 15, 16	EX8	DGJ		
12	05133527AA	1	2, 6	L	11, 12, 14, 15, 16	EX8	DGJ		SWITCH, Door Lock Right
		1	2, 6	L	51, 52, 54, 55, 56	EX8	DGJ		Right
		1	3, 7	L	12, 15, 16	EX8	DGJ		Right
	05133999AA	1	2, 6	L	11, 12, 14, 15, 16	EX8	DGJ		Left
		1	2, 6	L	51, 52, 54, 55, 56	EX8	DGJ		Left
		1	3, 7	L	12, 15, 16	EX8	DGJ		Left
13	05103756AA	1	2, 6	L	11, 12, 14, 15, 16	EX8	DGJ		ACTUATOR, Power Door Lock
		1	2, 6	L	51, 52, 54, 55, 56	EX8	DGJ		
		1	3, 7	L	12, 15, 16	EX8	DGJ		
14	05133998AA	1	2, 6	L	11, 12, 14, 15, 16	EX8	DGJ		ACTUATOR, Power Door Lock
		1	2, 6	L	51, 52, 54, 55, 56	EX8	DGJ		
		1	3, 7	L	12, 15, 16	EX8	DGJ		
15	05103754AA	2	2, 6	L	01, 02, 06	EX8	DGJ		INSULATOR, 2 Way Female
		2	2, 6	L	11, 12, 14, 15, 16	EX8	DGJ		
		2	2, 6	L	51, 52, 54, 55, 56	EX8	DGJ		
		2	3, 7	L	02, 06	EX8	DGJ		

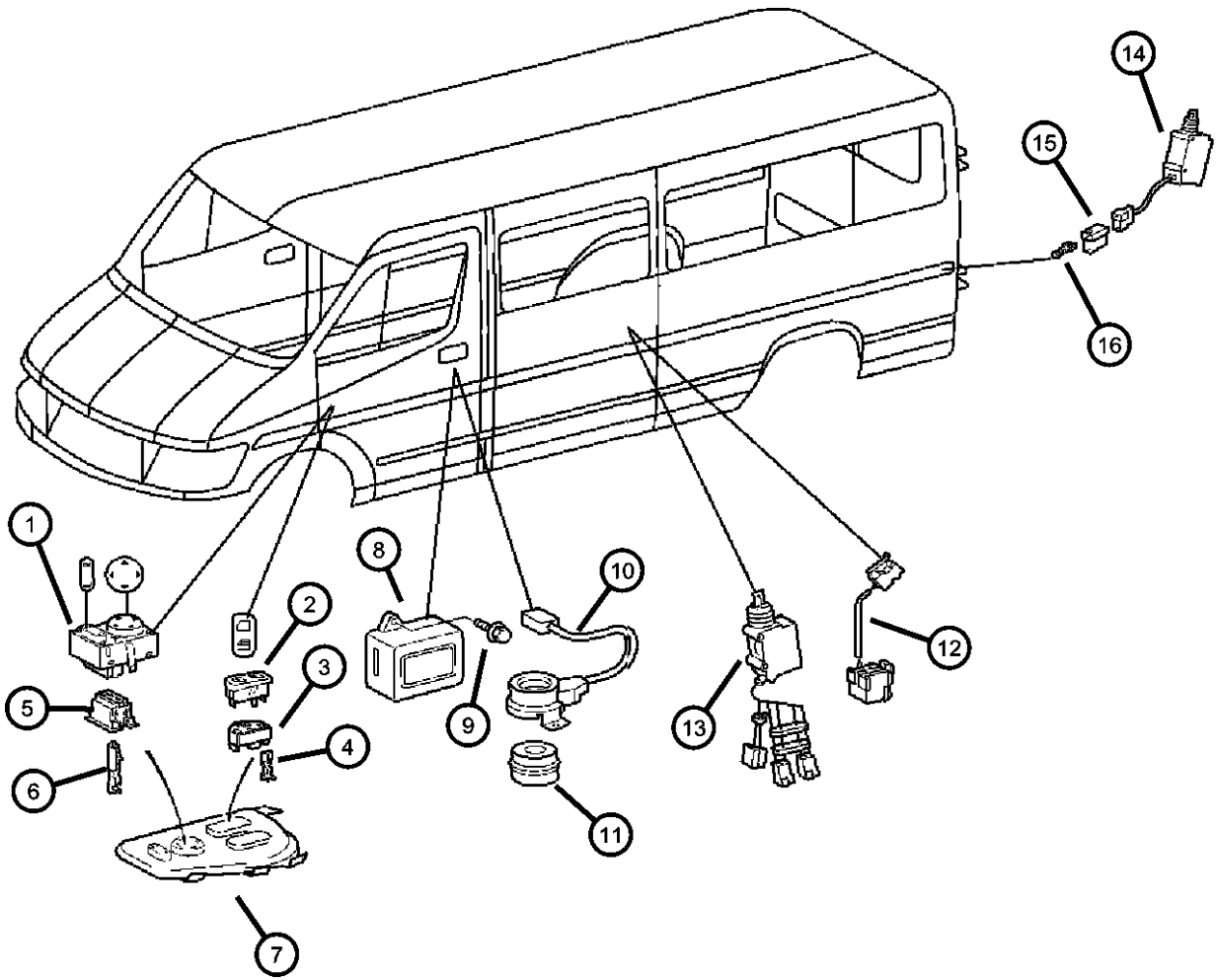
SPRINTER (VA)

SERIES	LINE	BODY	ENGINE	TRANSMISSION
L = LOWLINE	3 = HD DODGE 2WD	12 = Van 140"	EX8 = Engine - 2.7L I5	DGJ = Transmission - 5-Spd Auto, MB
	8 = HD DODGE 4WD	51 = Wagon 118"	Mercedes-Benz TD	
	6 = Lt. Duty DODGE 4WD	52 = Wagon 140"		
	2 = Med. Duty DODGE 2WD	14 = Van 118"		
	7 = Med. Duty DODGE 4WD	15 = Van 140"		
	4 = TRUCK	16 = Van 158"		
		54 = Wagon 118"		
		55 = Wagon 140"		
		56 = Wagon 158"		
		01 = Chassis Forward Control		
		118"		
		02 = Chassis Forward Control		
		140"		
		06 = Front Section 158"		
		11 = Van 118"		

AR = use ase required - = Non illustrated part

Switches - Doors
Figure 8-815

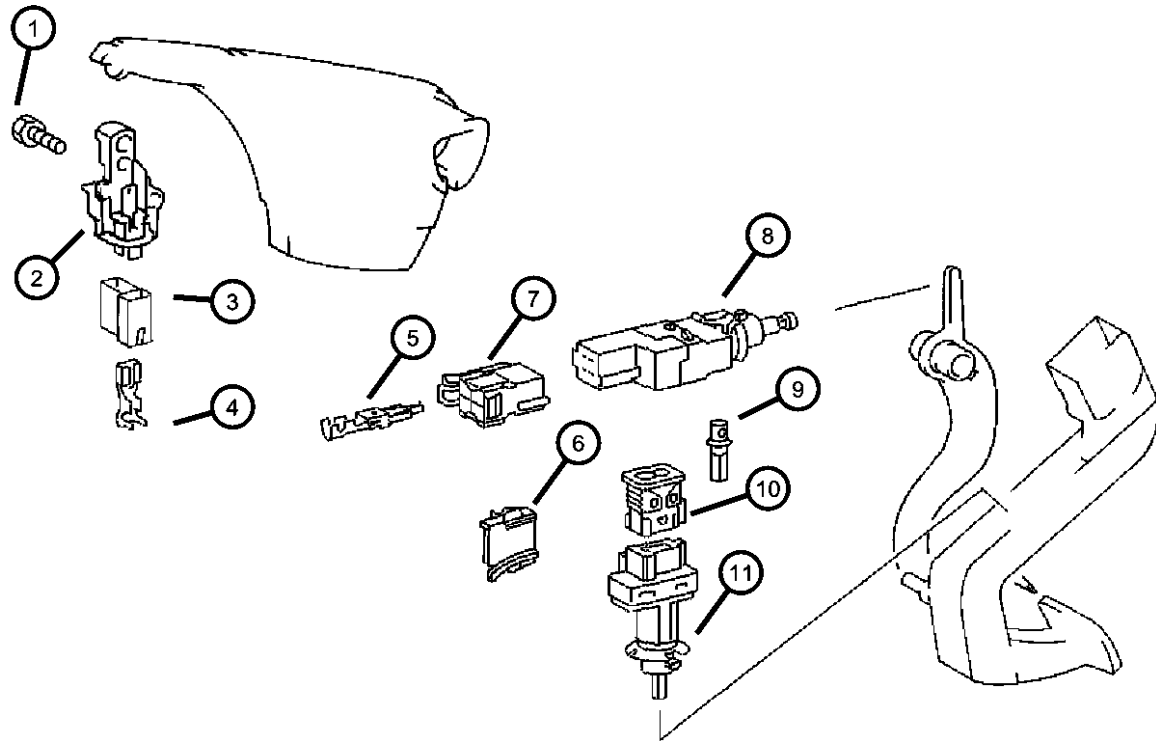
ITEM	PART NUMBER	QTY	LINE	SERIES	BODY	ENGINE	TRANS	TRIM	DESCRIPTION
		2	3, 7	L	12, 15, 16	EX8	DGJ		
16	05133395AA	99	2, 6	L	01, 02, 06	EX8	DGJ		TERMINAL, Female
		99	2, 6	L	11, 12, 14, 15, 16	EX8	DGJ		
		99	2, 6	L	51, 52, 54, 55, 56	EX8	DGJ		
		99	3, 7	L	02, 06	EX8	DGJ		
		99	3, 7	L	12, 15, 16	EX8	DGJ		



SPRINTER (VA)				
SERIES	LINE	BODY	ENGINE	TRANSMISSION
L = LOWLINE	3 = HD DODGE 2WD 8 = HD DODGE 4WD 6 = Lt. Duty DODGE 4WD 2 = Med. Duty DODGE 2WD 7 = Med. Duty DODGE 4WD 4 = TRUCK	12 = Van 140" 51 = Wagon 118" 52 = Wagon 140" 14 = Van 118" 15 = Van 140" 16 = Van 158" 54 = Wagon 118" 55 = Wagon 140" 56 = Wagon 158" 01 = Chassis Forward Control 118" 02 = Chassis Forward Control 140" 06 = Front Section 158" 11 = Van 118"	EX8 = Engine - 2.7L I5 Mercedes-Benz TD	DGJ = Transmission - 5-Spd Auto, MB

AR = use ase required - = Non illustrated part

**Switch Brake and Clutch
Figure 8-820**



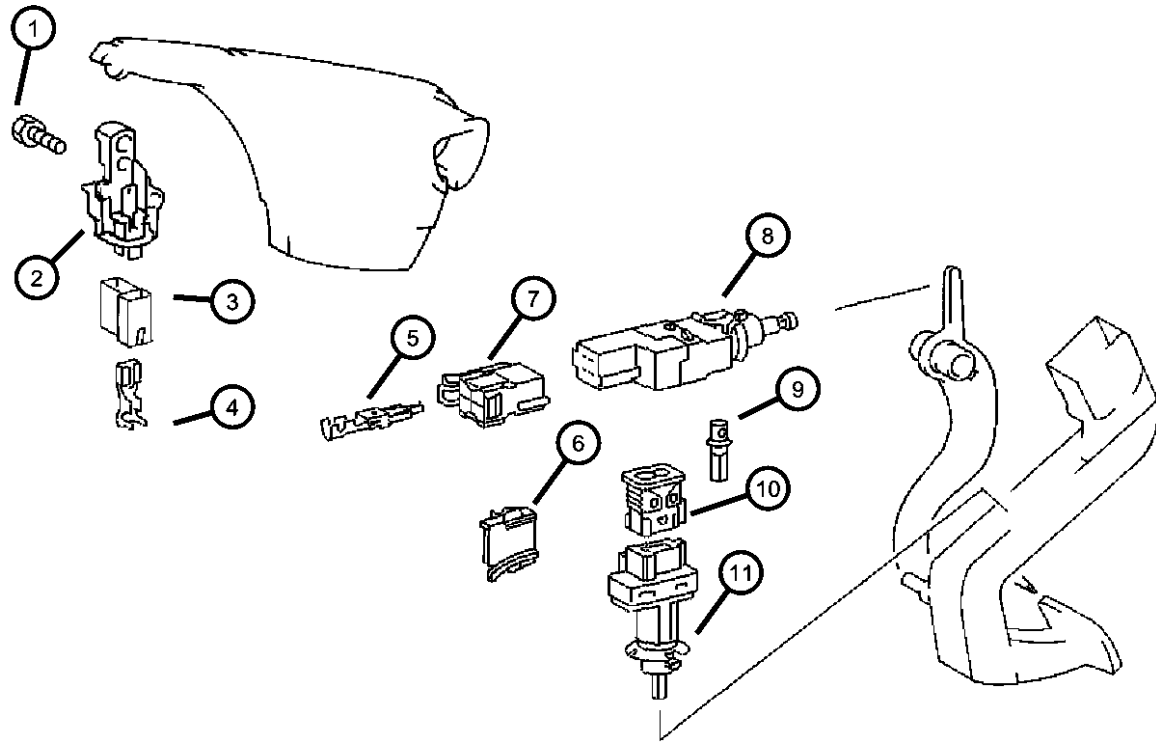
ITEM	PART NUMBER	QTY	LINE	SERIES	BODY	ENGINE	TRANS	TRIM	DESCRIPTION
	05103881AA	99	2, 6	L	01, 02, 06	EX8	DGJ		
		99	2, 6	L	11, 12, 14, 15, 16	EX8	DGJ		
		99	2, 6	L	51, 52, 54, 55, 56	EX8	DGJ		
		99	3, 7	L	02, 06	EX8	DGJ		
		99	3, 7	L	12, 15, 16	EX8	DGJ		
6	05120772AA	1	2, 6	L	01, 02, 06	EX8	DGJ		CONNECTOR
		1	2, 6	L	11, 12, 14, 15, 16	EX8	DGJ		
		1	2, 6	L	51, 52, 54, 55, 56	EX8	DGJ		
		1	3, 7	L	02, 06	EX8	DGJ		
		1	3, 7	L	12, 15, 16	EX8	DGJ		
7	05120776AA	1	2, 6	L	01, 02, 06	EX8	DGJ		INSULATOR, 4 Way
		1	2, 6	L	11, 12, 14, 15, 16	EX8	DGJ		
		1	2, 6	L	51, 52, 54, 55, 56	EX8	DGJ		
		1	3, 7	L	02, 06	EX8	DGJ		
		1	3, 7	L	12, 15, 16	EX8	DGJ		
8	05101496AA	1	2, 6	L	01, 02, 06	EX8	DGJ		SWITCH, Stop Lamp
		1	2, 6	L	11, 12, 14, 15, 16	EX8	DGJ		
		1	2, 6	L	51, 52, 54, 55, 56	EX8	DGJ		
	05103748AA	1	2, 6	L	01, 02, 06	EX8	DGJ		[BNB]
		1	2, 6	L	11, 12, 14, 15, 16	EX8	DGJ		[BNB]

SPRINTER (VA)

SERIES	LINE	BODY	ENGINE	TRANSMISSION
L = LOWLINE	3 = HD DODGE 2WD 8 = HD DODGE 4WD 6 = Lt. Duty DODGE 4WD 2 = Med. Duty DODGE 2WD 7 = Med. Duty DODGE 4WD 4 = TRUCK	12 = Van 140" 51 = Wagon 118" 52 = Wagon 140" 14 = Van 118" 15 = Van 140" 16 = Van 158" 54 = Wagon 118" 55 = Wagon 140" 56 = Wagon 158" 01 = Chassis Forward Control 118" 02 = Chassis Forward Control 140" 06 = Front Section 158" 11 = Van 118"	EX8 = Engine - 2.7L I5 Mercedes-Benz TD	DGJ = Transmission - 5-Spd Auto, MB

AR = use ase required - = Non illustrated part

**Switch Brake and Clutch
Figure 8-820**



ITEM	PART NUMBER	QTY	LINE	SERIES	BODY	ENGINE	TRANS	TRIM	DESCRIPTION
		1	2, 6	L	51, 52, 54, 55, 56	EX8	DGJ		[BNB]
		1	3, 7	L	02, 06	EX8	DGJ		
		1	3, 7	L	12, 15, 16	EX8	DGJ		
9	05133478AA	99	2, 6	L	01, 02, 06	EX8	DGJ		TERMINAL
		99	2, 6	L	11, 12, 14, 15, 16	EX8	DGJ		
		99	2, 6	L	51, 52, 54, 55, 56	EX8	DGJ		
		99	3, 7	L	02, 06	EX8	DGJ		
		99	3, 7	L	12, 15, 16	EX8	DGJ		
10	05120725AA	1	2, 6	L	01, 02, 06	EX8	DGJ		INSULATOR, 2 Way Female
		1	2, 6	L	11, 12, 14, 15, 16	EX8	DGJ		
		1	2, 6	L	51, 52, 54, 55, 56	EX8	DGJ		
		1	3, 7	L	02, 06	EX8	DGJ		
		1	3, 7	L	12, 15, 16	EX8	DGJ		
11	05098407AA	1	2, 6	L	01, 02, 06	EX8	DGJ		SWITCH, Clutch
		1	2, 6	L	11, 12, 14, 15, 16	EX8	DGJ		
		1	2, 6	L	51, 52, 54, 55, 56	EX8	DGJ		
		1	3, 7	L	02, 06	EX8	DGJ		
		1	3, 7	L	12, 15, 16	EX8	DGJ		

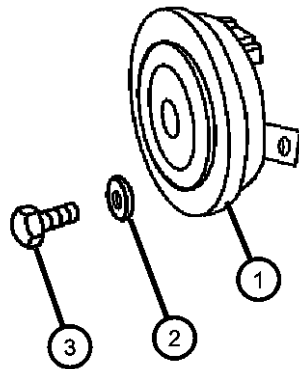
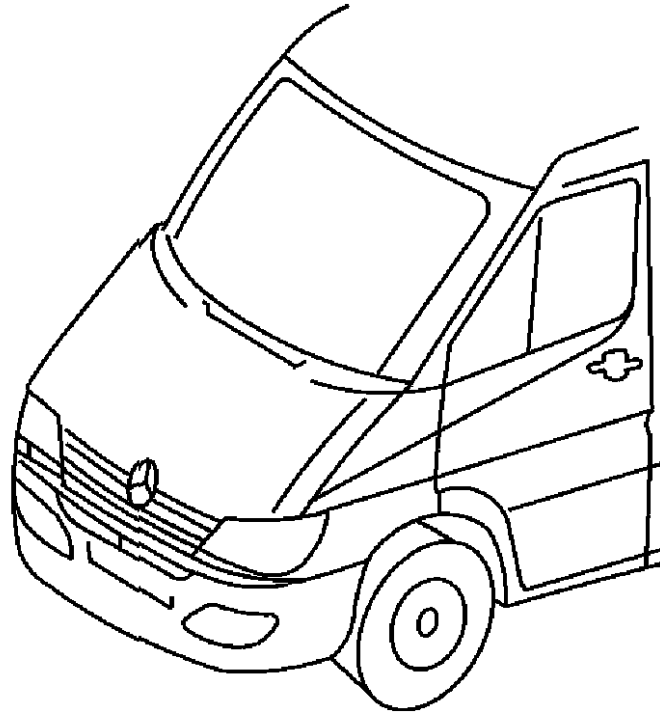
SPRINTER (VA)

SERIES	LINE	BODY	ENGINE	TRANSMISSION
L = LOWLINE	3 = HD DODGE 2WD 8 = HD DODGE 4WD 6 = Lt. Duty DODGE 4WD 2 = Med. Duty DODGE 2WD 7 = Med. Duty DODGE 4WD 4 = TRUCK	12 = Van 140" 51 = Wagon 118" 52 = Wagon 140" 14 = Van 118" 15 = Van 140" 16 = Van 158" 54 = Wagon 118" 55 = Wagon 140" 56 = Wagon 158" 01 = Chassis Forward Control 118" 02 = Chassis Forward Control 140" 06 = Front Section 158" 11 = Van 118"	EX8 = Engine - 2.7L I5 Mercedes-Benz TD	DGJ = Transmission - 5-Spd Auto, MB

AR = use ase required - = Non illustrated part

Horns & Alarm
Figure 8-905

ITEM	PART NUMBER	QTY	LINE	SERIES	BODY	ENGINE	TRANS	TRIM	DESCRIPTION
1									HORN
	05120370AA	1	2, 6	L	01, 02, 06	EX8	DGJ		
		1	2, 6	L	11, 12, 14, 15, 16	EX8	DGJ		
		1	2, 6	L	51, 52, 54, 55, 56	EX8	DGJ		
		1	3, 7	L	02, 06	EX8	DGJ		
		1	3, 7	L	12, 15, 16	EX8	DGJ		
2									LOCK WASHER
	05104669AA	1	2, 6	L	01, 02, 06	EX8	DGJ		
		1	2, 6	L	11, 12, 14, 15, 16	EX8	DGJ		
		1	2, 6	L	51, 52, 54, 55, 56	EX8	DGJ		
		1	3, 7	L	02, 06	EX8	DGJ		
		1	3, 7	L	12, 15, 16	EX8	DGJ		
3									SCREW
	06104022AA	1	2, 6	L	01, 02, 06	EX8	DGJ		
		1	2, 6	L	11, 12, 14, 15, 16	EX8	DGJ		
		1	2, 6	L	51, 52, 54, 55, 56	EX8	DGJ		
		1	3, 7	L	02, 06	EX8	DGJ		
		1	3, 7	L	12, 15, 16	EX8	DGJ		



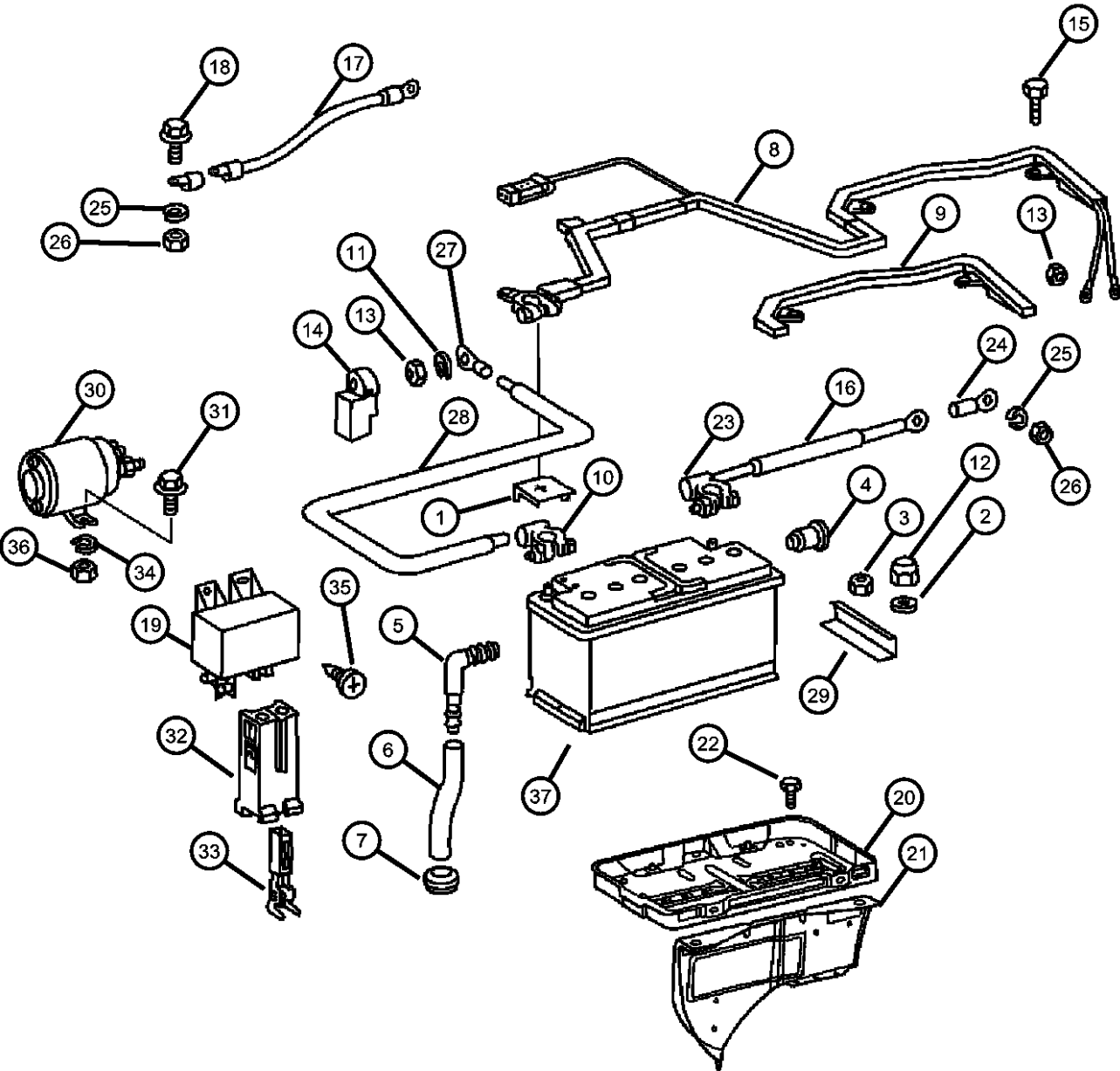
SPRINTER (VA)

SERIES	LINE	BODY	ENGINE	TRANSMISSION
L = LOWLINE	3 = HD DODGE 2WD 8 = HD DODGE 4WD 6 = Lt. Duty DODGE 4WD 2 = Med. Duty DODGE 2WD 7 = Med. Duty DODGE 4WD 4 = TRUCK	12 = Van 140" 51 = Wagon 118" 52 = Wagon 140" 14 = Van 118" 15 = Van 140" 16 = Van 158" 54 = Wagon 118" 55 = Wagon 140" 56 = Wagon 158" 01 = Chassis Forward Control 118" 02 = Chassis Forward Control 140" 06 = Front Section 158" 11 = Van 118"	EX8 = Engine - 2.7L I5 Mercedes-Benz TD	DGJ = Transmission - 5-Spd Auto, MB

AR = use ase required - = Non illustrated part

2005 VA

Battery Tray & Cables
Figure 8-1005

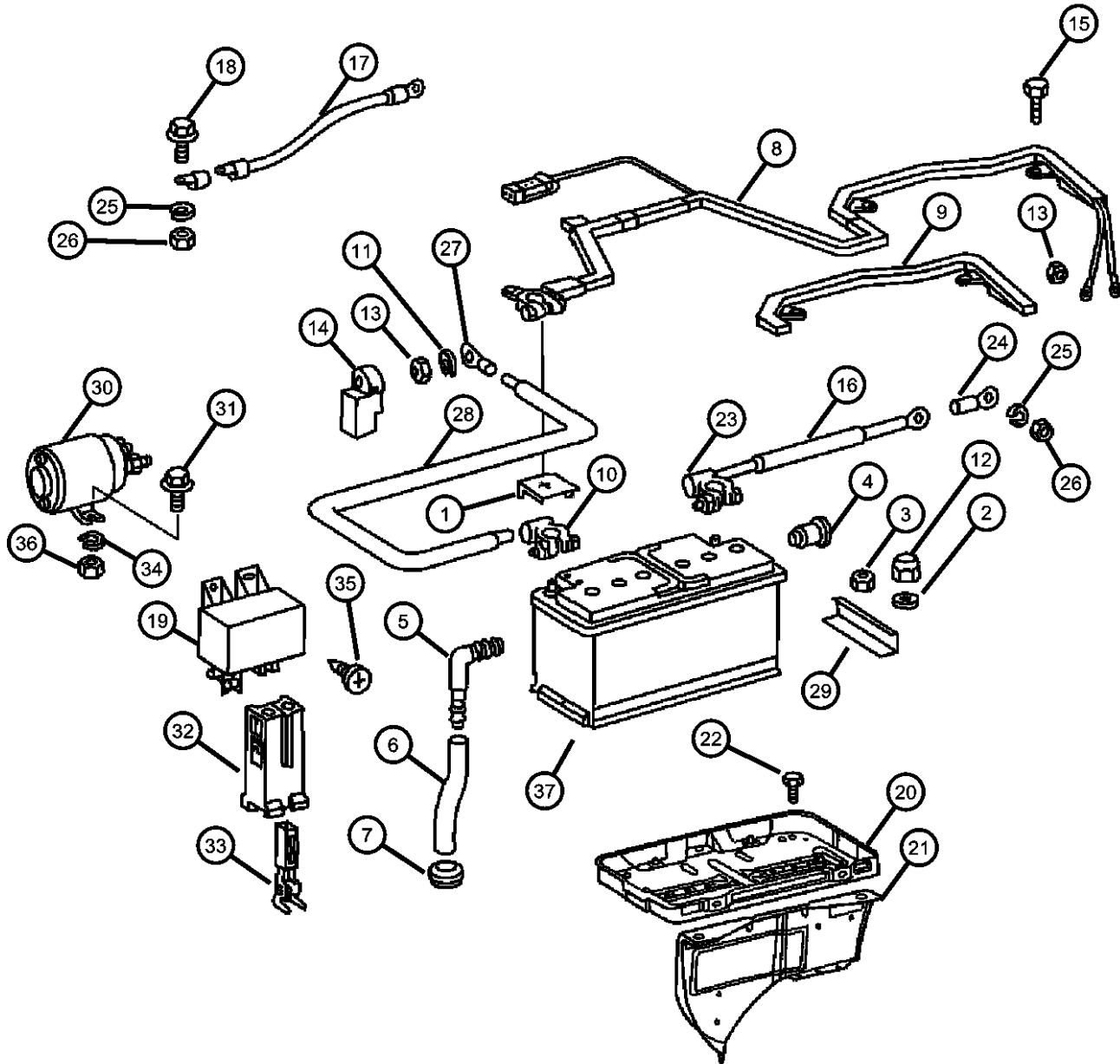


ITEM	PART NUMBER	QTY	LINE	SERIES	BODY	ENGINE	TRANS	TRIM	DESCRIPTION
1	05098850AA	1	2, 6	L	11, 12, 14, 15, 16	EX8	DGJ		COVER, Battery Terminal
		1	2, 6	L	01, 02, 06	EX8	DGJ		
		1	2, 6	L	51, 52, 54, 55, 56	EX8	DGJ		
		1	3, 7	L	02, 06	EX8	DGJ		
		1	3, 7	L	12, 15, 16	EX8	DGJ		
2	05104612AA	99	2, 6	L	01, 02, 06	EX8	DGJ		WASHER, Flat
		99	2, 6	L	11, 12, 14, 15, 16	EX8	DGJ		
		99	2, 6	L	51, 52, 54, 55, 56	EX8	DGJ		
		8	3, 7	L	02, 06	EX8	DGJ		
		8	3, 7	L	12, 15, 16	EX8	DGJ		
3		8							NUT, Hex, M6, (NOT SERVICED)
4	05099303AA	1	2, 6	L	01, 02, 06	EX8	DGJ		PLUG
		1	2, 6	L	11, 12, 14, 15, 16	EX8	DGJ		
		1	2, 6	L	51, 52, 54, 55, 56	EX8	DGJ		
		1	3, 7	L	02, 06	EX8	DGJ		
		1	3, 7	L	12, 15, 16	EX8	DGJ		
5	05125802AA	1	2, 6	L	01, 02, 06	EX8	DGJ		ELBOW, Male Adapter
		1	2, 6	L	11, 12, 14, 15, 16	EX8	DGJ		
		1	2, 6	L	51, 52, 54, 55, 56	EX8	DGJ		
		1	3, 7	L	02, 06	EX8	DGJ		
		1	3, 7	L	12, 15, 16	EX8	DGJ		

SPRINTER (VA)
SERIES **LINE** **BODY** **ENGINE** **TRANSMISSION**
L = LOWLINE 3 = HD DODGE 2WD 12 = Van 140" EX8 = Engine - 2.7L I5 DGJ = Transmission - 5-Spd Auto, MB
 8 = HD DODGE 4WD 51 = Wagon 118" Mercedes-Benz TD
 6 = Lt. Duty DODGE 4WD 52 = Wagon 140"
 2 = Med. Duty DODGE 2WD 14 = Van 118"
 7 = Med. Duty DODGE 4WD 15 = Van 140"
 4 = TRUCK 16 = Van 158"
 54 = Wagon 118"
 55 = Wagon 140"
 56 = Wagon 158"
 01 = Chassis Forward Control 118"
 02 = Chassis Forward Control 140"
 06 = Front Section 158"
 11 = Van 118"

AR = use ase required - = Non illustrated part

Battery Tray & Cables
Figure 8-1005



ITEM	PART NUMBER	QTY	LINE	SERIES	BODY	ENGINE	TRANS	TRIM	DESCRIPTION
6	05125962AA	40	2, 6	L	01, 02, 06	EX8	DGJ		HOSE, Battery Vent 10 Meters Long
		40	2, 6	L	11, 12, 14, 15, 16	EX8	DGJ		10 Meters Long
		40	3, 7	L	02, 06	EX8	DGJ		10 Meters Long
		40	2, 6	L	51, 52, 54, 55, 56	EX8	DGJ		10 Meters Long
		40	3, 7	L	12, 15, 16	EX8	DGJ		10 Meters Long
7	05125940AA	1	2, 6	L	01, 02, 06	EX8	DGJ		GROMMET, Floor
		1	2, 6	L	11, 12, 14, 15, 16	EX8	DGJ		
		1	2, 6	L	51, 52, 54, 55, 56	EX8	DGJ		
		1	3, 7	L	02, 06	EX8	DGJ		
		1	3, 7	L	12, 15, 16	EX8	DGJ		
8	05133949AA	900	2, 6	L	01, 02, 06	EX8	DGJ		CABLE, Battery Positive 10 Meters Long
		900	2, 6	L	11, 12, 14, 15, 16	EX8	DGJ		10 Meters Long
		900	2, 6	L	51, 52, 54, 55, 56	EX8	DGJ		10 Meters Long
		900	3, 7	L	02, 06	EX8	DGJ		10 Meters Long
		900	3, 7	L	12, 15, 16	EX8	DGJ		10 Meters Long
9	05120950AA	1	2, 6	L	01, 02, 06	EX8	DGJ		COVER, Wiring Protector
		1	2, 6	L	11, 12, 14, 15, 16	EX8	DGJ		
		1	3, 7	L	02, 06	EX8	DGJ		
		1	7, 3	L	12, 15, 16	EX8	DGJ		
		1	2, 6	L	51, 52, 54, 55, 56	EX8	DGJ		

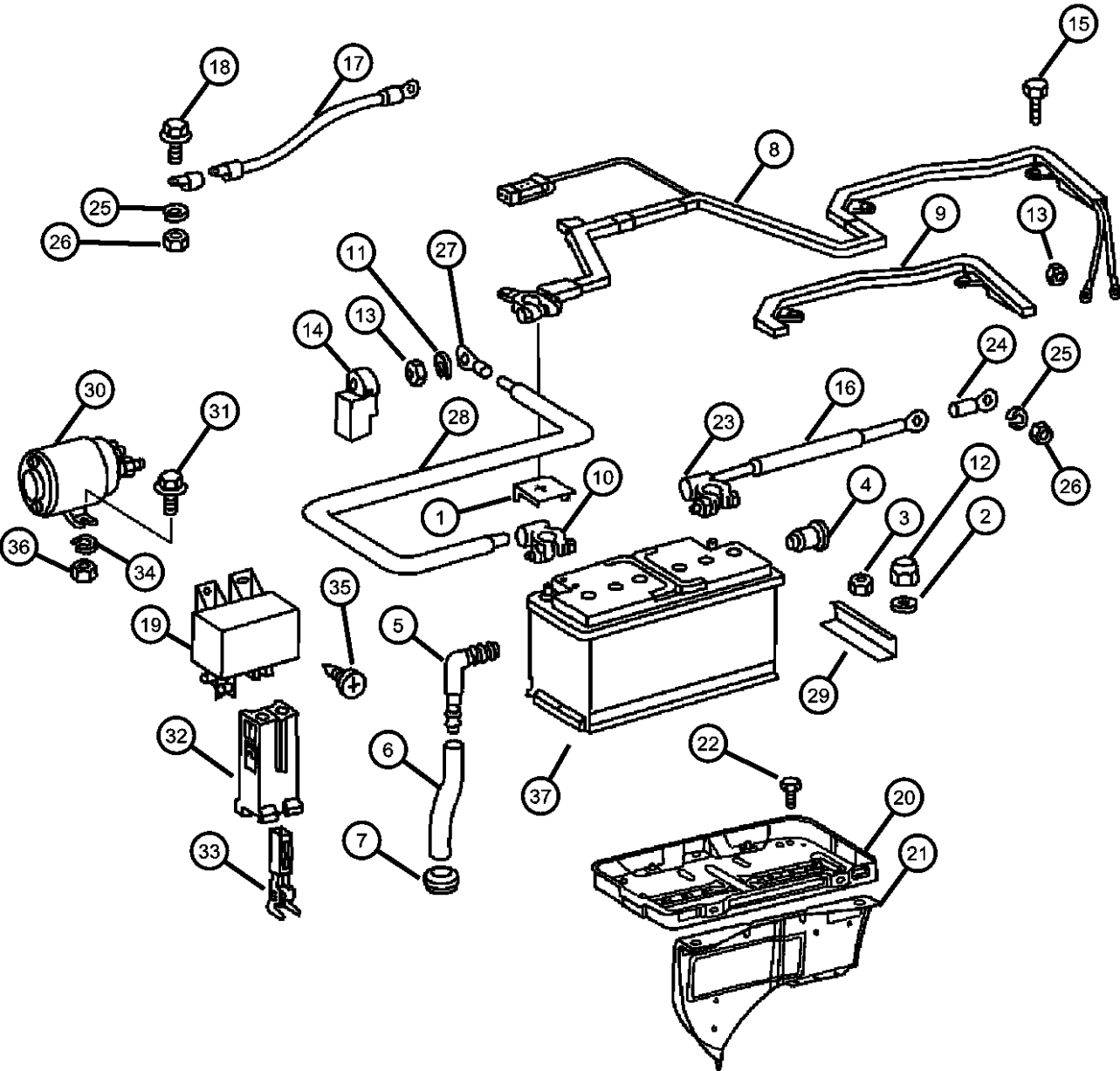
SPRINTER (VA)

SERIES	LINE	BODY	ENGINE	TRANSMISSION
L = LOWLINE	3 = HD DODGE 2WD 8 = HD DODGE 4WD 6 = Lt. Duty DODGE 4WD 2 = Med. Duty DODGE 2WD 7 = Med. Duty DODGE 4WD 4 = TRUCK	12 = Van 140" 51 = Wagon 118" 52 = Wagon 140" 14 = Van 118" 15 = Van 140" 16 = Van 158" 54 = Wagon 118" 55 = Wagon 140" 56 = Wagon 158" 01 = Chassis Forward Control 118" 02 = Chassis Forward Control 140" 06 = Front Section 158" 11 = Van 118"	EX8 = Engine - 2.7L I5 Mercedes-Benz TD	DGJ = Transmission - 5-Spd Auto, MB

AR = use ase required - = Non illustrated part

Battery Tray & Cables

Figure 8-1005



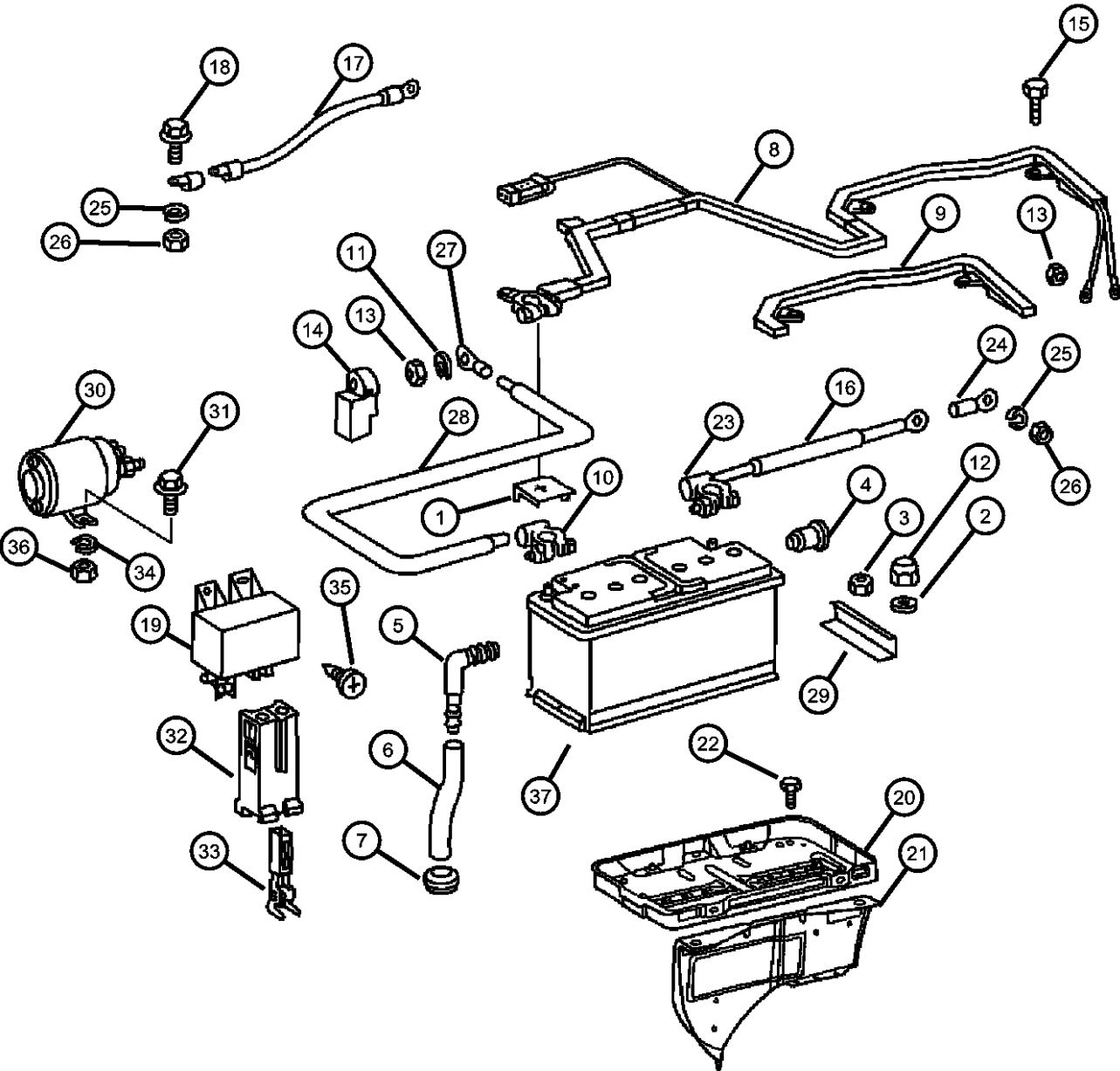
ITEM	PART NUMBER	QTY	LINE	SERIES	BODY	ENGINE	TRANS	TRIM	DESCRIPTION
10	05120949AA	1	2, 6	L	01, 02, 06	EX8	DGJ		TERMINAL, Battery
		1	2, 6	L	11, 12, 14, 15, 16	EX8	DGJ		
		1	2, 6	L	51, 52, 54, 55, 56	EX8	DGJ		
		1	3, 7	L	02, 06	EX8	DGJ		
		1	3, 7	L	12, 15, 16	EX8	DGJ		
11	05104669AA	1	2, 6	L	01, 02, 06	EX8	DGJ		LOCK WASHER
		1	2, 6	L	11, 12, 14, 15, 16	EX8	DGJ		
		1	2, 6	L	51, 52, 54, 55, 56	EX8	DGJ		
		1	3, 7	L	02, 06	EX8	DGJ		
		1	3, 7	L	12, 15, 16	EX8	DGJ		
12	05133943AA	2	2, 6	L	01, 02, 06	EX8	DGJ		NUT
		2	2, 6	L	11, 12, 14, 15, 16	EX8	DGJ		
		2	2, 6	L	51, 52, 54, 55, 56	EX8	DGJ		
		99	3, 7	L	02, 06	EX8	DGJ		
		99	3, 7	L	12, 15, 16	EX8	DGJ		
13	06104709AA	4	2, 6	L	01, 02, 06	EX8	DGJ		NUT, M8
		4	2, 6	L	11, 12, 14, 15, 16	EX8	DGJ		
		4	2, 6	L	51, 52, 54, 55, 56	EX8	DGJ		
		4	3, 7	L	02, 06	EX8	DGJ		
		4	3, 7	L	12, 15, 16	EX8	DGJ		

SPRINTER (VA)

SERIES	LINE	BODY	ENGINE	TRANSMISSION
L = LOWLINE	3 = HD DODGE 2WD 8 = HD DODGE 4WD 6 = Lt. Duty DODGE 4WD 2 = Med. Duty DODGE 2WD 7 = Med. Duty DODGE 4WD 4 = TRUCK	12 = Van 140" 51 = Wagon 118" 52 = Wagon 140" 14 = Van 118" 15 = Van 140" 16 = Van 158" 54 = Wagon 118" 55 = Wagon 140" 56 = Wagon 158" 01 = Chassis Forward Control 118" 02 = Chassis Forward Control 140" 06 = Front Section 158" 11 = Van 118"	EX8 = Engine - 2.7L I5 Mercedes-Benz TD	DGJ = Transmission - 5-Spd Auto, MB

AR = use ase required - = Non illustrated part

Battery Tray & Cables
Figure 8-1005

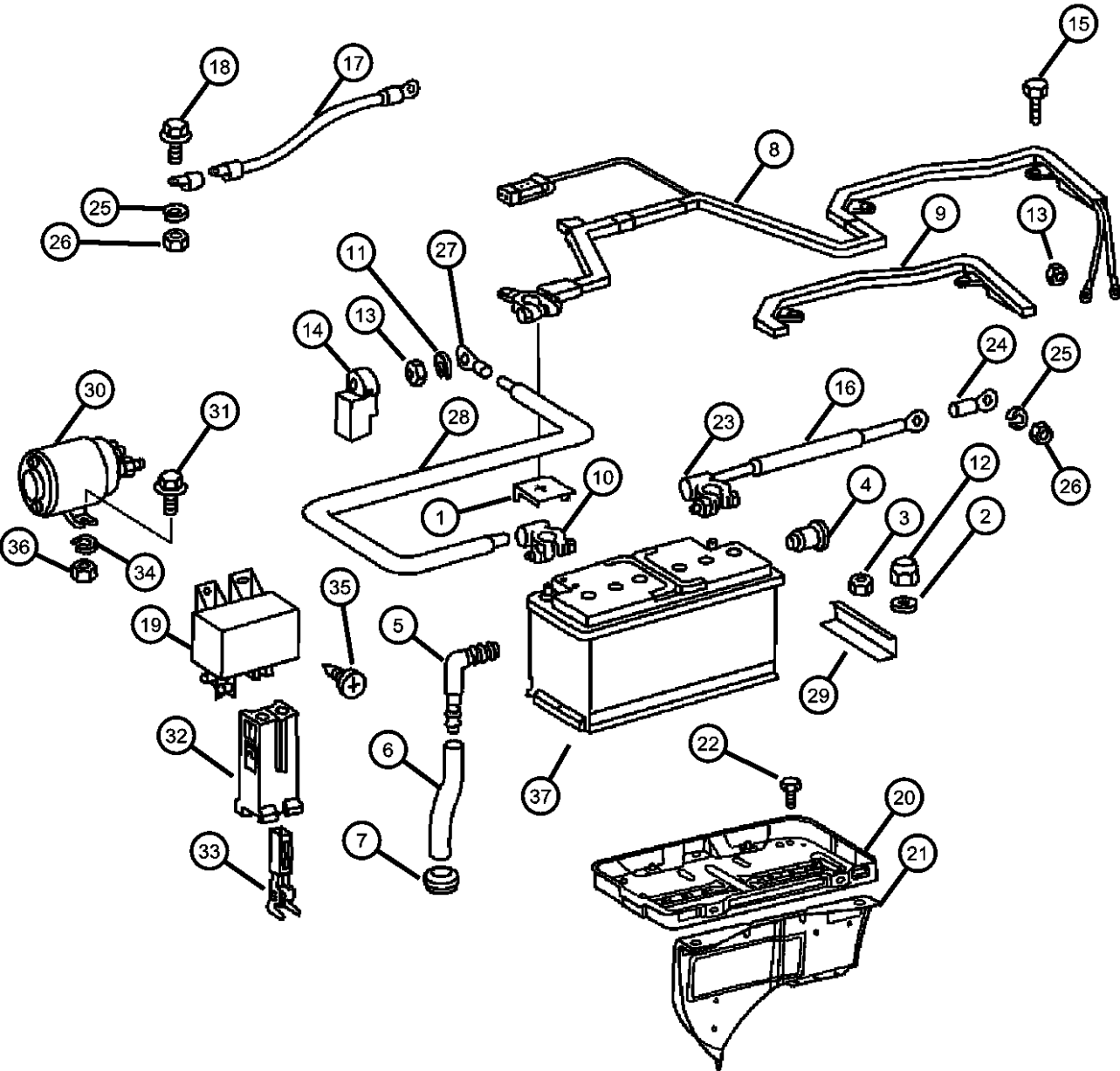


ITEM	PART NUMBER	QTY	LINE	SERIES	BODY	ENGINE	TRANS	TRIM	DESCRIPTION
14	05120925AA	1	2, 6	L	01, 02, 06	EX8	DGJ		COVER, Battery Terminal
		1	2, 6	L	11, 12, 14, 15, 16	EX8	DGJ		
		1	2, 6	L	51, 52, 54, 55, 56	EX8	DGJ		
		1	3, 7	L	02, 06	EX8	DGJ		
		1	3, 7	L	12, 15, 16	EX8	DGJ		
15	05073824AA	2	2, 6	L	11, 12, 14, 15, 16	EX8	DGJ		SCREW
		2	2, 6	L	01, 02, 06	EX8	DGJ		
		2	2, 6	L	51, 52, 54, 55, 56	EX8	DGJ		
		2	3, 7	L	02, 06	EX8	DGJ		
		2	3, 7	L	12, 15, 16	EX8	DGJ		
16	05120219AA	1	2, 6	L	01, 02, 06	EX8	DGJ		CABLE, Battery Negative
		1	2, 6	L	11, 12, 14, 15, 16	EX8	DGJ		
		1	2, 6	L	51, 52, 54, 55, 56	EX8	DGJ		
		1	3, 7	L	02, 06	EX8	DGJ		
		1	3, 7	L	12, 15, 16	EX8	DGJ		
	05133954AA	100	2, 6	L	01, 02, 06	EX8	DGJ		[BC1] 10 Meters Long
		100	2, 6	L	11, 12, 14, 15, 16	EX8	DGJ		[BC1] 10 Meters Long
		100	2, 6	L	51, 52, 54, 55, 56	EX8	DGJ		[BC1] 10 Meters Long
		100	3, 7	L	02, 06	EX8	DGJ		[BC1] 10 Meters Long
		100	3, 7	L	12, 15, 16	EX8	DGJ		[BC1] 10 Meters Long
17									STRAP, Ground

SPRINTER (VA)
SERIES **LINE** **BODY** **ENGINE** **TRANSMISSION**
L = LOWLINE 3 = HD DODGE 2WD 12 = Van 140" EX8 = Engine - 2.7L I5 DGJ = Transmission - 5-Spd Auto, MB
 8 = HD DODGE 4WD 51 = Wagon 118" Mercedes-Benz TD
 6 = Lt. Duty DODGE 4WD 52 = Wagon 140"
 2 = Med. Duty DODGE 2WD 14 = Van 118"
 7 = Med. Duty DODGE 4WD 15 = Van 140"
 4 = TRUCK 16 = Van 158"
 54 = Wagon 118"
 55 = Wagon 140"
 56 = Wagon 158"
 01 = Chassis Forward Control
 118"
 02 = Chassis Forward Control
 140"
 06 = Front Section 158"
 11 = Van 118"

AR = use ase required - = Non illustrated part

Battery Tray & Cables
Figure 8-1005



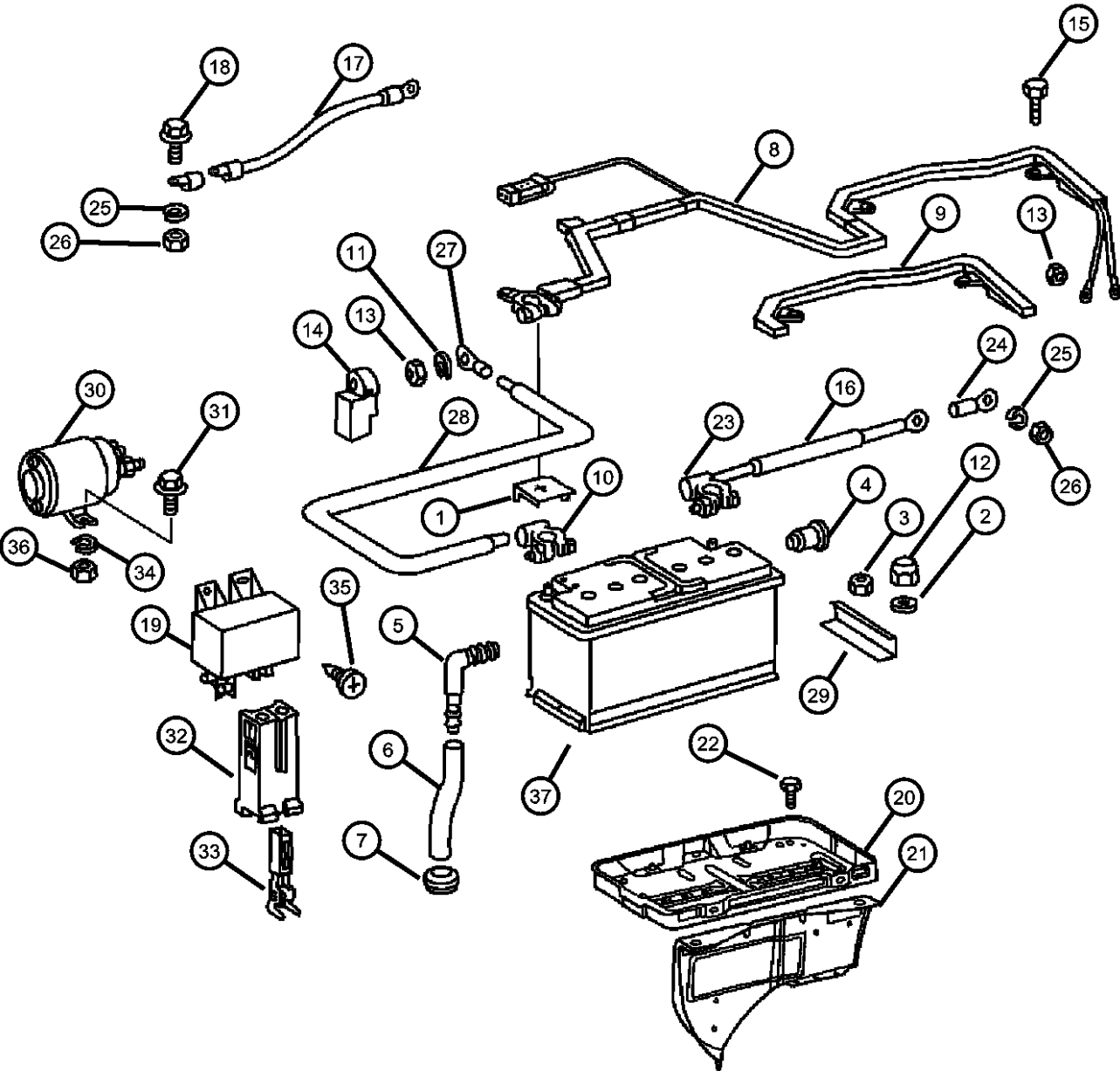
ITEM	PART NUMBER	QTY	LINE	SERIES	BODY	ENGINE	TRANS	TRIM	DESCRIPTION
	05120226AA	1	2, 6	L	01, 02, 06	EX8	DGJ		
		1	2, 6	L	11, 12, 14, 15, 16	EX8	DGJ		
		1	2, 6	L	51, 52, 54, 55, 56	EX8	DGJ		
		1	3, 7	L	02, 06	EX8	DGJ		
		1	3, 7	L	12, 15, 16	EX8	DGJ		
18									BOLT
	05126259AA	1	2, 6	L	01, 02, 06	EX8	DGJ		Ground cable to firewall
		1	2, 6	L	11, 12, 14, 15, 16	EX8	DGJ		Ground cable to firewall
		1	2, 6	L	51, 52, 54, 55, 56	EX8	DGJ		Ground cable to firewall
		1	3, 7	L	02, 06	EX8	DGJ		Ground cable to firewall
		1	3, 7	L	12, 15, 16	EX8	DGJ		Ground cable to firewall
	05126260AA	1	2, 6	L	01, 02, 06	EX8	DGJ		Ground cable to body
		1	2, 6	L	11, 12, 14, 15, 16	EX8	DGJ		Ground cable to body
		1	2, 6	L	51, 52, 54, 55, 56	EX8	DGJ		Ground cable to body
		1	3, 7	L	02, 06	EX8	DGJ		Ground cable to body
		1	3, 7	L	12, 15, 16	EX8	DGJ		Ground cable to body
19									RELAY
	05120361AA	1	2, 6	L	01, 02, 06	EX8	DGJ		
		1	2, 6	L	11, 12, 14, 15, 16	EX8	DGJ		
		1	2, 6	L	51, 52, 54, 55, 56	EX8	DGJ		
		1	3, 7	L	02, 06	EX8	DGJ		
		1	3, 7	L	12, 15, 16	EX8	DGJ		
20									TRAY, Battery
	05122170AA	1	2, 6	L	01, 02, 06	EX8	DGJ		[BC1]

SPRINTER (VA)

SERIES	LINE	BODY	ENGINE	TRANSMISSION
L = LOWLINE	3 = HD DODGE 2WD 8 = HD DODGE 4WD 6 = Lt. Duty DODGE 4WD 2 = Med. Duty DODGE 2WD 7 = Med. Duty DODGE 4WD 4 = TRUCK	12 = Van 140" 51 = Wagon 118" 52 = Wagon 140" 14 = Van 118" 15 = Van 140" 16 = Van 158" 54 = Wagon 118" 55 = Wagon 140" 56 = Wagon 158" 01 = Chassis Forward Control 118" 02 = Chassis Forward Control 140" 06 = Front Section 158" 11 = Van 118"	EX8 = Engine - 2.7L I5 Mercedes-Benz TD	DGJ = Transmission - 5-Spd Auto, MB

AR = use ase required - = Non illustrated part

Battery Tray & Cables
Figure 8-1005



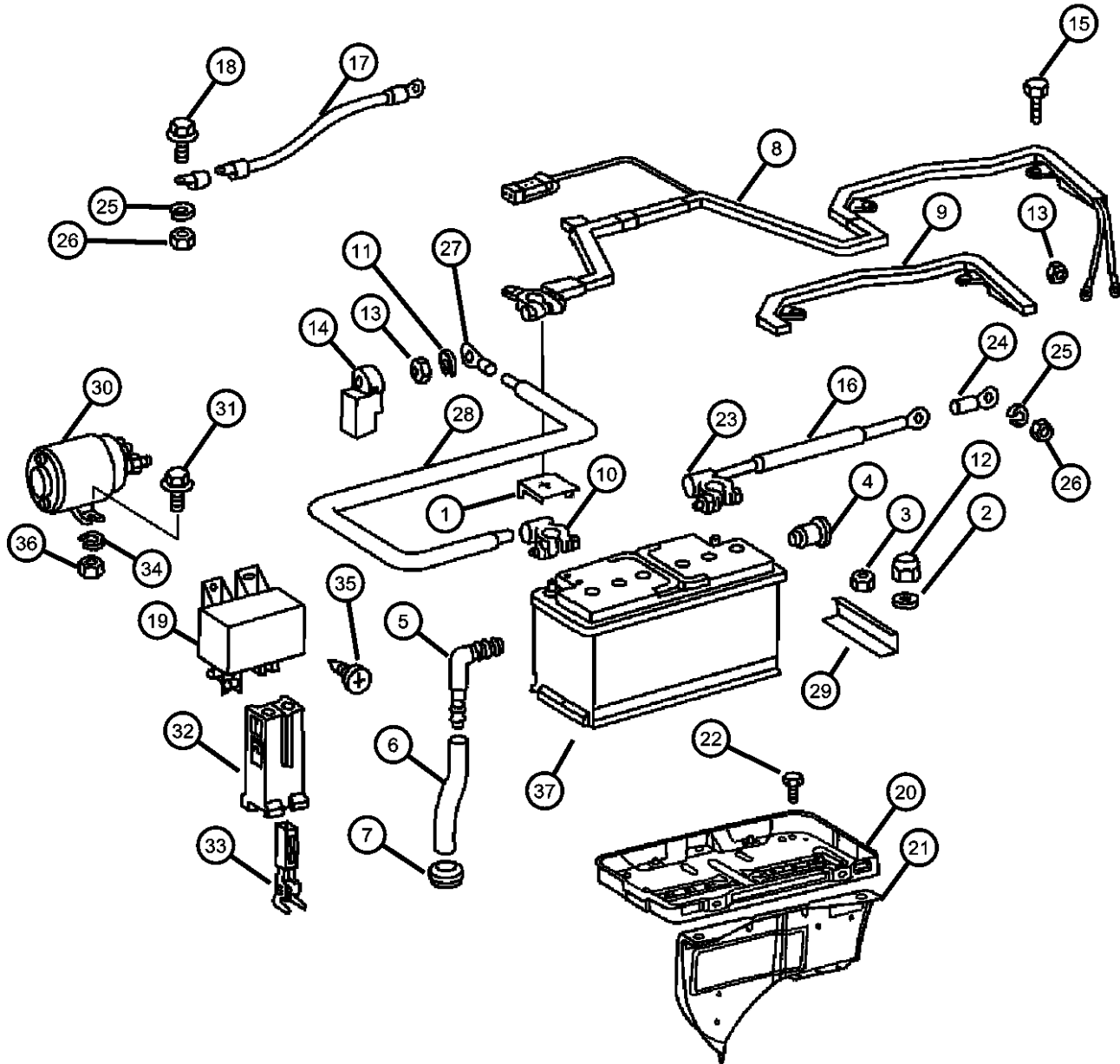
ITEM	PART NUMBER	QTY	LINE	SERIES	BODY	ENGINE	TRANS	TRIM	DESCRIPTION
	0VU01205								Repair Battery Terminal End Top Post (Ten Per Box)
	0VU01207								Repair Battery Terminal End Side Post (Ten Per Box)
		1	2, 6	L	11, 12, 14, 15, 16	EX8	DGJ		[BC1]
	0VU01205								Repair Battery Terminal End Top Post (Ten Per Box)
	0VU01207								Repair Battery Terminal End Side Post (Ten Per Box)
		1	2, 6	L	51, 52, 54, 55, 56	EX8	DGJ		[BC1]
	0VU01205								Repair Battery Terminal End Top Post (Ten Per Box)
	0VU01207								Repair Battery Terminal End Side Post (Ten Per Box)
		1	3, 7	L	02, 06	EX8	DGJ		[BC1]
	0VU01205								Repair Battery Terminal End Top Post (Ten Per Box)
	0VU01207								Repair Battery Terminal End Side Post (Ten Per Box)
		1	3, 7	L	12, 15, 16	EX8	DGJ		[BC1]
	0VU01205								Repair Battery Terminal End Top Post (Ten Per Box)
	0VU01207								Repair Battery Terminal End Side Post (Ten Per Box)
	05125223AA	1	2, 6	L	01, 02, 06	EX8	DGJ		
	0VU01205								Repair Battery Terminal End Top Post (Ten Per Box)
	0VU01207								Repair Battery Terminal End Side Post (Ten Per Box)
	BA049850EX								Mopar Power Pro 6
		1	2, 6	L	11, 12, 14, 15, 16	EX8	DGJ		
	0VU01205								Repair Battery Terminal End Top Post (Ten Per Box)
	0VU01207								Repair Battery Terminal End Side Post (Ten Per Box)

SPRINTER (VA)

SERIES	LINE	BODY	ENGINE	TRANSMISSION
L = LOWLINE	3 = HD DODGE 2WD 8 = HD DODGE 4WD 6 = Lt. Duty DODGE 4WD 2 = Med. Duty DODGE 2WD 7 = Med. Duty DODGE 4WD 4 = TRUCK	12 = Van 140" 51 = Wagon 118" 52 = Wagon 140" 14 = Van 118" 15 = Van 140" 16 = Van 158" 54 = Wagon 118" 55 = Wagon 140" 56 = Wagon 158" 01 = Chassis Forward Control 118" 02 = Chassis Forward Control 140" 06 = Front Section 158" 11 = Van 118"	EX8 = Engine - 2.7L I5 Mercedes-Benz TD	DGJ = Transmission - 5-Spd Auto, MB

AR = use ase required - = Non illustrated part

Battery Tray & Cables
Figure 8-1005



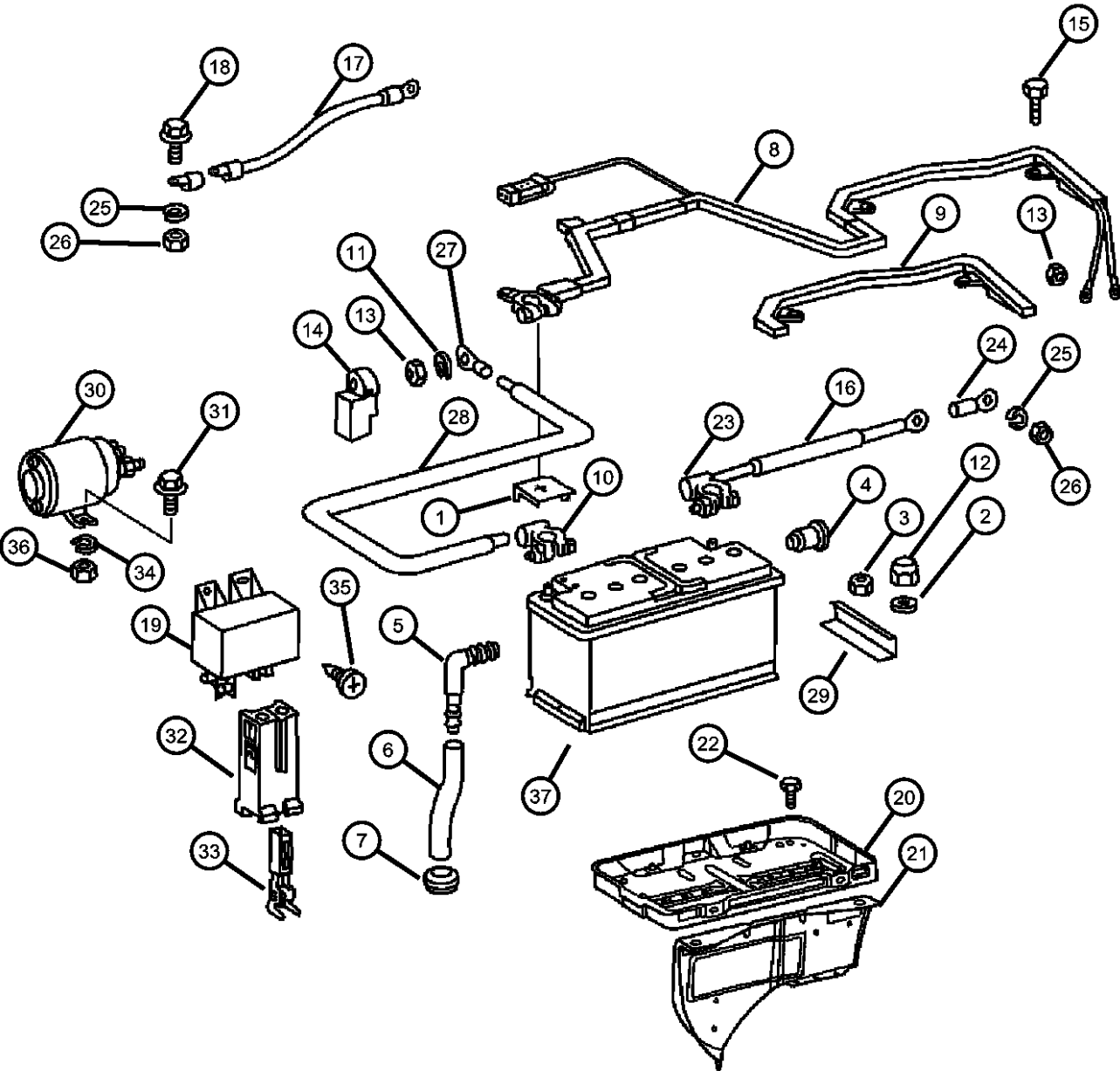
ITEM	PART NUMBER	QTY	LINE	SERIES	BODY	ENGINE	TRANS	TRIM	DESCRIPTION
	BA049850EX	1	2, 6	L	51, 52, 54, 55, 56	EX8	DGJ		Mopar Power Pro 6
	0VU01205								Repair Battery Terminal End Top Post (Ten Per Box)
	0VU01207								Repair Battery Terminal End Side Post (Ten Per Box)
	BA049850EX	1	3, 7	L	02, 06	EX8	DGJ		Mopar Power Pro 6
	0VU01205								Repair Battery Terminal End Top Post (Ten Per Box)
	0VU01207								Repair Battery Terminal End Side Post (Ten Per Box)
	BA049850EX	1	3, 7	L	12, 15, 16	EX8	DGJ		Mopar Power Pro 6
	0VU01205								Repair Battery Terminal End Top Post (Ten Per Box)
	0VU01207								Repair Battery Terminal End Side Post (Ten Per Box)
	BA049850EX	1	3, 7	L	12, 15, 16	EX8	DGJ		Mopar Power Pro 6
21	05104157AA	1	2, 6	L	01, 02, 06	EX8	DGJ		BRACKET, Battery Tray
	05104157AA	1	2, 6	L	51, 52, 54, 55, 56	EX8	DGJ		
		1	3, 7	L	02, 06	EX8	DGJ		
		1	3, 7	L	12, 15, 16	EX8	DGJ		
		1	2, 6	L	11, 12, 14, 15, 16	EX8	DGJ		
22	05126227AA	2	2, 6	L	01, 02, 06	EX8	DGJ		BOLT, Hex Head
		2	2, 6	L	11, 12, 14, 15, 16	EX8	DGJ		
		2	2, 6	L	51, 52, 54, 55, 56	EX8	DGJ		

SPRINTER (VA)

SERIES	LINE	BODY	ENGINE	TRANSMISSION
L = LOWLINE	3 = HD DODGE 2WD 8 = HD DODGE 4WD 6 = Lt. Duty DODGE 4WD 2 = Med. Duty DODGE 2WD 7 = Med. Duty DODGE 4WD 4 = TRUCK	12 = Van 140" 51 = Wagon 118" 52 = Wagon 140" 14 = Van 118" 15 = Van 140" 16 = Van 158" 54 = Wagon 118" 55 = Wagon 140" 56 = Wagon 158" 01 = Chassis Forward Control 118" 02 = Chassis Forward Control 140" 06 = Front Section 158" 11 = Van 118"	EX8 = Engine - 2.7L I5 Mercedes-Benz TD	DGJ = Transmission - 5-Spd Auto, MB

AR = use ase required - = Non illustrated part

Battery Tray & Cables
Figure 8-1005

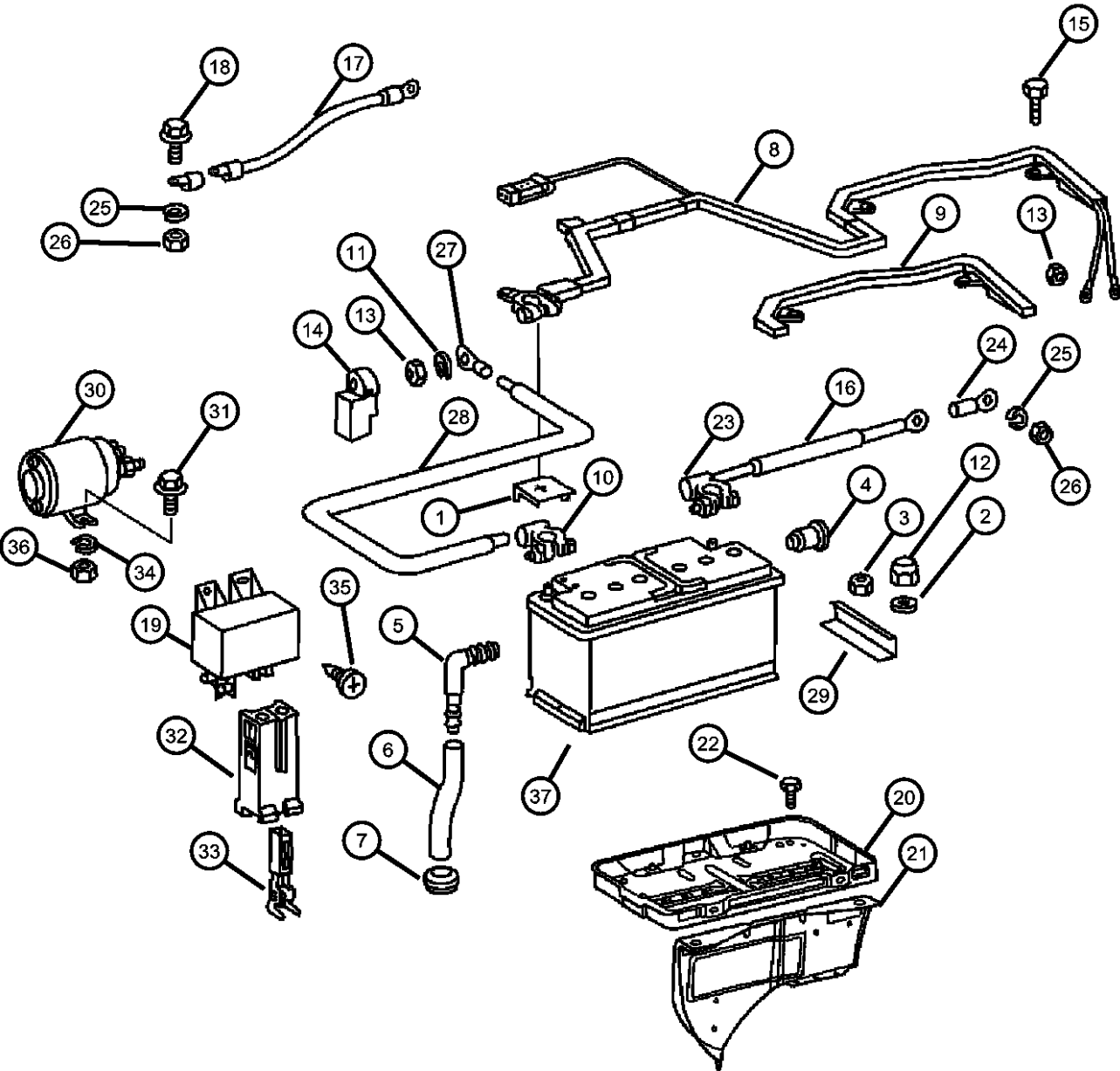


ITEM	PART NUMBER	QTY	LINE	SERIES	BODY	ENGINE	TRANS	TRIM	DESCRIPTION
		2	3, 7	L	02, 06	EX8	DGJ		
		2	3, 7	L	12, 15, 16	EX8	DGJ		
23	05133952AA	1	2, 6	L	01, 02, 06	EX8	DGJ		TERMINAL, Battery
		1	2, 6	L	11, 12, 14, 15, 16	EX8	DGJ		
		1	2, 6	L	51, 52, 54, 55, 56	EX8	DGJ		
		1	3, 7	L	02, 06	EX8	DGJ		
		1	3, 7	L	12, 15, 16	EX8	DGJ		
24	05133953AA	1	2, 6	L	01, 02, 06	EX8	DGJ		TERMINAL, Eyelet
		1	2, 6	L	51, 52, 54, 55, 56	EX8	DGJ		
		1	3, 7	L	02, 06	EX8	DGJ		
		1	2, 6	L	11, 12, 14, 15, 16	EX8	DGJ		
		1	3, 7	L	12, 15, 16	EX8	DGJ		
25	05104669AA	1	2, 6	L	11, 12, 14, 15, 16	EX8	DGJ		LOCK WASHER
		1	2, 6	L	01, 02, 06	EX8	DGJ		
		1	2, 6	L	51, 52, 54, 55, 56	EX8	DGJ		
		1	7, 3	L	12, 15, 16	EX8	DGJ		
		1	3, 7	L	02, 06	EX8	DGJ		
26	05126206AA	4	2, 6	L	01, 02, 06	EX8	DGJ		NUT
		99	2, 6	L	51, 52, 54, 55, 56	EX8	DGJ		
		6	3, 7	L	02, 06	EX8	DGJ		

SPRINTER (VA)
 SERIES LINE BODY ENGINE TRANSMISSION
 L = LOWLINE 3 = HD DODGE 2WD 12 = Van 140" EX8 = Engine - 2.7L I5 DGJ = Transmission - 5-Spd Auto, MB
 8 = HD DODGE 4WD 51 = Wagon 118" Mercedes-Benz TD
 6 = Lt. Duty DODGE 4WD 52 = Wagon 140"
 2 = Med. Duty DODGE 2WD 14 = Van 118"
 7 = Med. Duty DODGE 4WD 15 = Van 140"
 4 = TRUCK 16 = Van 158"
 54 = Wagon 118"
 55 = Wagon 140"
 56 = Wagon 158"
 01 = Chassis Forward Control
 118"
 02 = Chassis Forward Control
 140"
 06 = Front Section 158"
 11 = Van 118"

AR = use ase required - = Non illustrated part

Battery Tray & Cables
Figure 8-1005



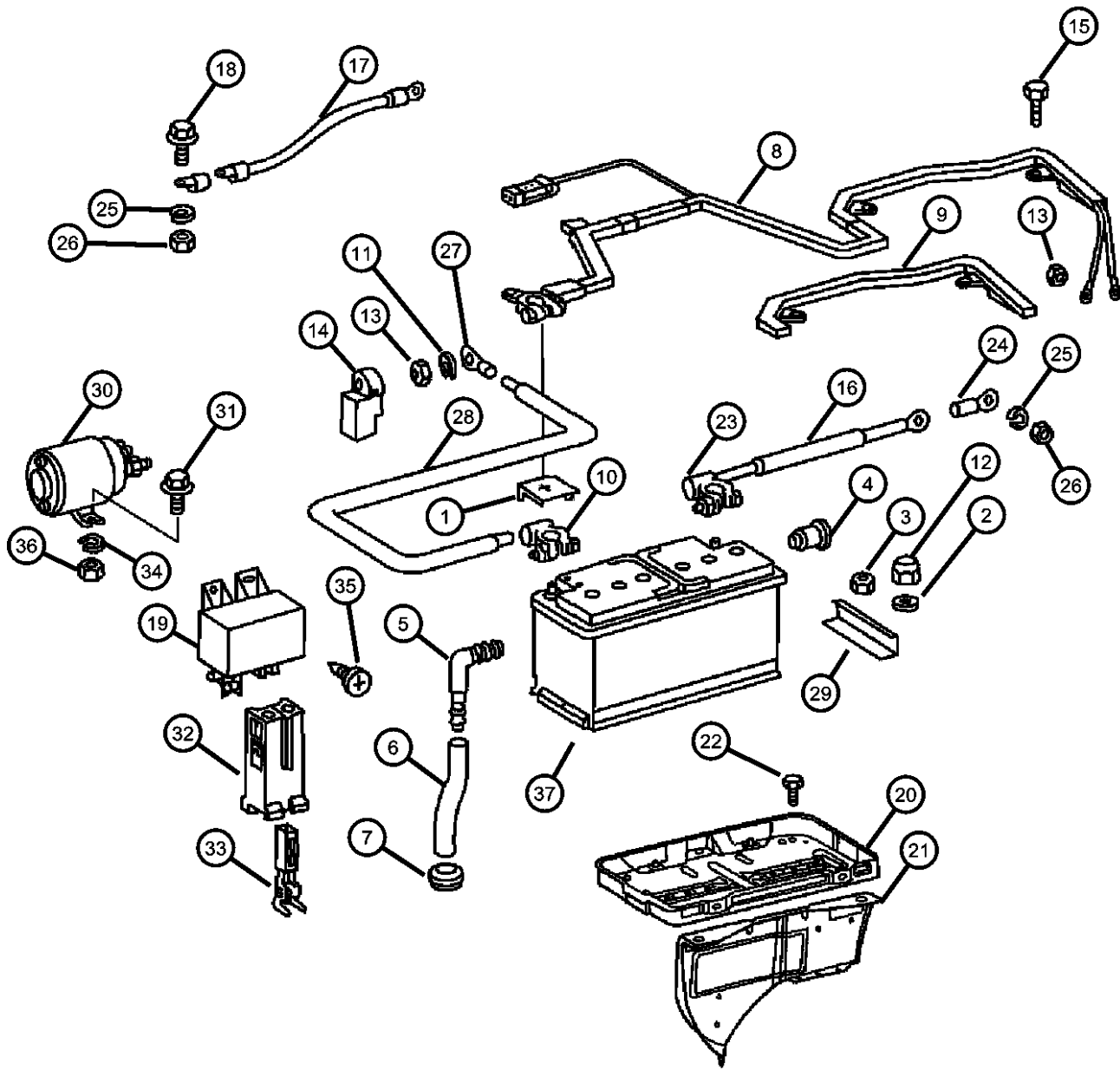
ITEM	PART NUMBER	QTY	LINE	SERIES	BODY	ENGINE	TRANS	TRIM	DESCRIPTION
		99	2, 6	L	11, 12, 14, 15, 16	EX8	DGJ		
		99	3, 7	L	12, 15, 16	EX8	DGJ		
27	05133950AA	1	2, 6	L	01, 02, 06	EX8	DGJ		TERMINAL
		1	2, 6	L	11, 12, 14, 15, 16	EX8	DGJ		
		1	3, 7	L	12, 15, 16	EX8	DGJ		
		1	2, 6	L	51, 52, 54, 55, 56	EX8	DGJ		
		1	3, 7	L	02, 06	EX8	DGJ		
28	05133949AA	900	2, 6	L	01, 02, 06	EX8	DGJ		CABLE, Battery Positive
		900	2, 6	L	11, 12, 14, 15, 16	EX8	DGJ		Serviced in one meter length
		900	2, 6	L	51, 52, 54, 55, 56	EX8	DGJ		Serviced in one meter length
		900	3, 7	L	02, 06	EX8	DGJ		Serviced in one meter length
		900	3, 7	L	12, 15, 16	EX8	DGJ		Serviced in one meter length
29	05121607AA	2	2, 6	L	01, 02, 06	EX8	DGJ		RAIL
		2	2, 6	L	11, 12, 14, 15, 16	EX8	DGJ		
		2	2, 6	L	51, 52, 54, 55, 56	EX8	DGJ		
		2	3, 7	L	02, 06	EX8	DGJ		
		2	3, 7	L	12, 15, 16	EX8	DGJ		
30	05133946AA	1	2, 6	L	11, 12, 14, 15, 16	EX8	DGJ		RELAY
		1	2, 6	L	01, 02, 06	EX8	DGJ		
		1	2, 6	L	51, 52, 54, 55, 56	EX8	DGJ		

SPRINTER (VA)

SERIES	LINE	BODY	ENGINE	TRANSMISSION
L = LOWLINE	3 = HD DODGE 2WD 8 = HD DODGE 4WD 6 = Lt. Duty DODGE 4WD 2 = Med. Duty DODGE 2WD 7 = Med. Duty DODGE 4WD 4 = TRUCK	12 = Van 140" 51 = Wagon 118" 52 = Wagon 140" 14 = Van 118" 15 = Van 140" 16 = Van 158" 54 = Wagon 118" 55 = Wagon 140" 56 = Wagon 158" 01 = Chassis Forward Control 118" 02 = Chassis Forward Control 140" 06 = Front Section 158" 11 = Van 118"	EX8 = Engine - 2.7L I5 Mercedes-Benz TD	DGJ = Transmission - 5-Spd Auto, MB

AR = use ase required - = Non illustrated part

Battery Tray & Cables
Figure 8-1005



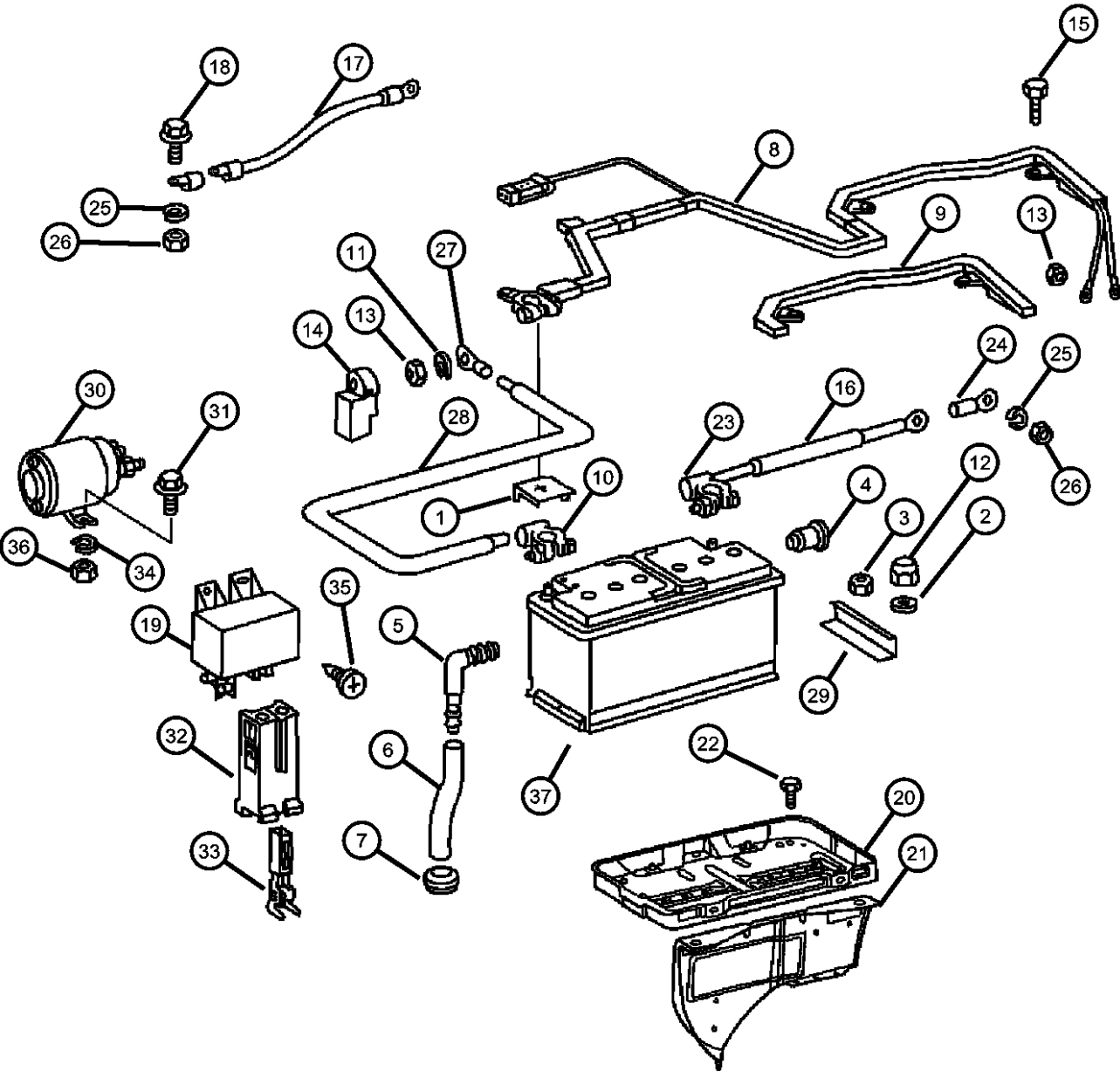
ITEM	PART NUMBER	QTY	LINE	SERIES	BODY	ENGINE	TRANS	TRIM	DESCRIPTION
		1	3, 7	L	02, 06	EX8	DGJ		
		1	3, 7	L	12, 15, 16	EX8	DGJ		
31	05133947AA	2	2, 6	L	01, 02, 06	EX8	DGJ		BOLT
		2	2, 6	L	11, 12, 14, 15, 16	EX8	DGJ		
		2	2, 6	L	51, 52, 54, 55, 56	EX8	DGJ		
		2	3, 7	L	02, 06	EX8	DGJ		
		2	3, 7	L	12, 15, 16	EX8	DGJ		
32	05133944AA	1	2, 6	L	01, 02, 06	EX8	DGJ		CONNECTOR
		1	2, 6	L	11, 12, 14, 15, 16	EX8	DGJ		
		1	2, 6	L	51, 52, 54, 55, 56	EX8	DGJ		
		1	3, 7	L	02, 06	EX8	DGJ		
		1	3, 7	L	12, 15, 16	EX8	DGJ		
33	05133945AA	1	2, 6	L	01, 02, 06	EX8	DGJ		TERMINAL
		1	2, 6	L	11, 12, 14, 15, 16	EX8	DGJ		
		1	2, 6	L	51, 52, 54, 55, 56	EX8	DGJ		
		2	3, 7	L	02, 06	EX8	DGJ		
		2	3, 7	L	12, 15, 16	EX8	DGJ		
34	05104668AA	2	2, 6	L	01, 02, 06	EX8	DGJ		WASHER, Lock
		2	3, 7	L	12, 15, 16	EX8	DGJ		
		2	2, 6	L	11, 12, 14, 15, 16	EX8	DGJ		

SPRINTER (VA)

SERIES	LINE	BODY	ENGINE	TRANSMISSION
L = LOWLINE	3 = HD DODGE 2WD	12 = Van 140"	EX8 = Engine - 2.7L I5	DGJ = Transmission - 5-Spd Auto, MB
	8 = HD DODGE 4WD	51 = Wagon 118"	Mercedes-Benz TD	
	6 = Lt. Duty DODGE 4WD	52 = Wagon 140"		
	2 = Med. Duty DODGE 2WD	14 = Van 118"		
	7 = Med. Duty DODGE 4WD	15 = Van 140"		
	4 = TRUCK	16 = Van 158"		
		54 = Wagon 118"		
		55 = Wagon 140"		
		56 = Wagon 158"		
		01 = Chassis Forward Control 118"		
		02 = Chassis Forward Control 140"		
		06 = Front Section 158"		
		11 = Van 118"		

AR = use ase required - = Non illustrated part

Battery Tray & Cables
Figure 8-1005



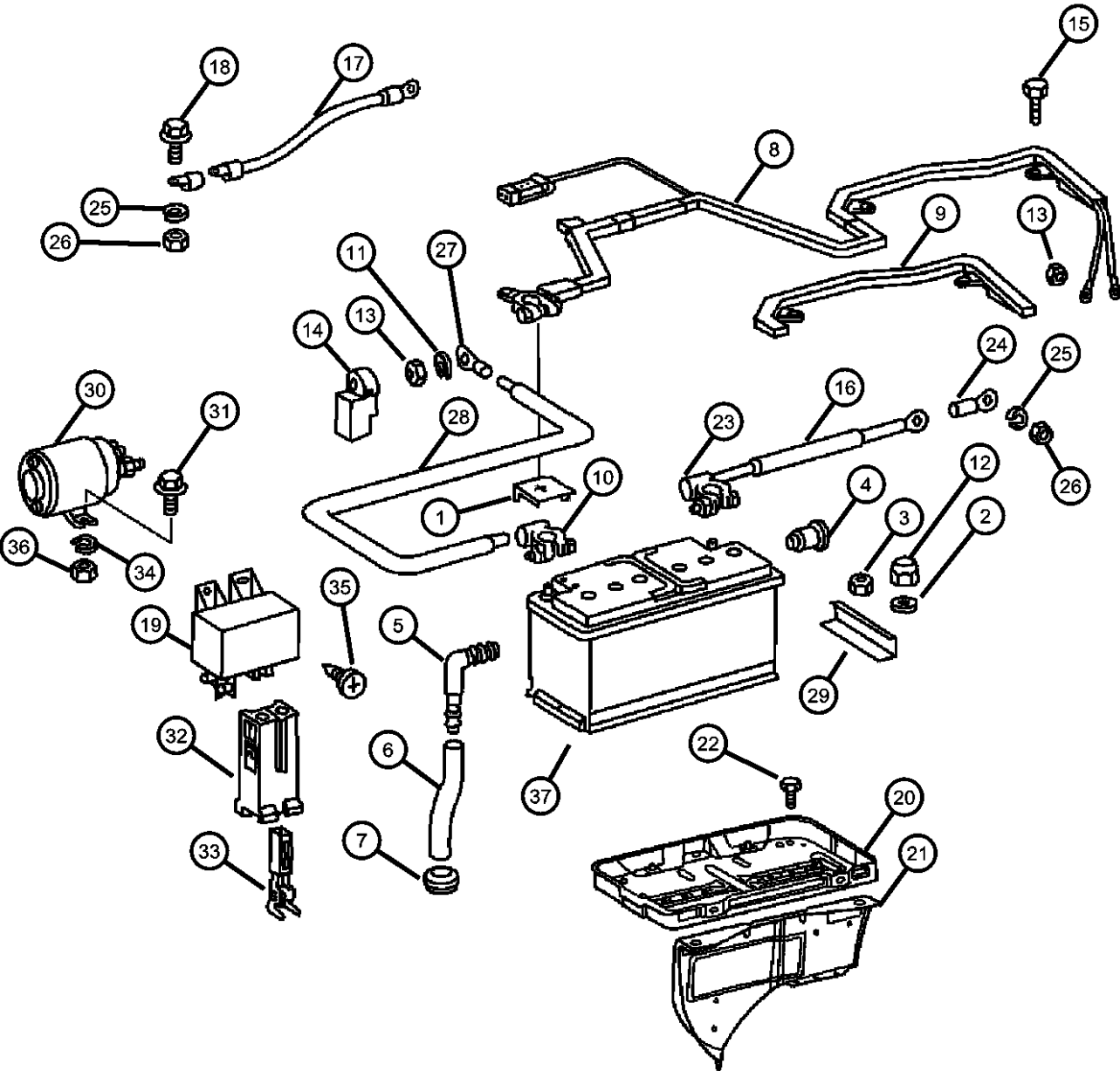
ITEM	PART NUMBER	QTY	LINE	SERIES	BODY	ENGINE	TRANS	TRIM	DESCRIPTION
		2	2, 6	L	51, 52, 54, 55, 56	EX8	DGJ		
		2	3, 7	L	02, 06	EX8	DGJ		
35	05104609AA	4	2, 6	L	01, 02, 06	EX8	DGJ		SCREW
		4	2, 6	L	11, 12, 14, 15, 16	EX8	DGJ		
		4	2, 6	L	51, 52, 54, 55, 56	EX8	DGJ		
		4	3, 7	L	02, 06	EX8	DGJ		
		2	3, 7	L	12, 15, 16	EX8	DGJ		
36	05133948AA	2	2, 6	L	01, 02, 06	EX8	DGJ		NUT, Hex
		2	2, 6	L	11, 12, 14, 15, 16	EX8	DGJ		
		2	2, 6	L	51, 52, 54, 55, 56	EX8	DGJ		
		2	3, 7	L	02, 06	EX8	DGJ		
		2	3, 7	L	12, 15, 16	EX8	DGJ		
37	05133941AA	1	3, 7	L	02, 06	EX8	DGJ		BATTERY
	BB049850AA	1	2, 6	L	01, 02, 06	EX8	DGJ		[BC1] Under seat Mopar Replacement Battery (72 Series)
	BB049850AA	1	6, 2	L	11, 12, 14, 15, 16	EX8	DGJ		[BC1] Under seat Mopar Replacement Battery (72 Series)
	BB049850AA	1	2, 6	L	51, 52, 54, 55, 56	EX8	DGJ		[BC1] Under seat Mopar Replacement Battery (72 Series)

SPRINTER (VA)
 SERIES LINE BODY ENGINE TRANSMISSION
 L = LOWLINE 3 = HD DODGE 2WD 12 = Van 140" EX8 = Engine - 2.7L I5 DGJ = Transmission - 5-Spd Auto, MB
 8 = HD DODGE 4WD 51 = Wagon 118" Mercedes-Benz TD
 6 = Lt. Duty DODGE 4WD 52 = Wagon 140"
 2 = Med. Duty DODGE 2WD 14 = Van 118"
 7 = Med. Duty DODGE 4WD 15 = Van 140"
 4 = TRUCK 16 = Van 158"
 54 = Wagon 118"
 55 = Wagon 140"
 56 = Wagon 158"
 01 = Chassis Forward Control
 118"
 02 = Chassis Forward Control
 140"
 06 = Front Section 158"
 11 = Van 118"

AR = use ase required - = Non illustrated part

Battery Tray & Cables

Figure 8-1005



ITEM	PART NUMBER	QTY	LINE	SERIES	BODY	ENGINE	TRANS	TRIM	DESCRIPTION
	BB049850AA	1	3, 7	L	12, 15, 16	EX8	DGJ		[BC1] Under seat Mopar Replacement Battery (72 Series)
	BA049850EX	1	2, 6	L	01, 02, 06	EX8			With [BDC]
		1	2, 6	L	11, 12, 14, 15, 16	EX8			With [BDC]
		1	2, 6	L	51, 52, 54, 55, 56	EX8			With [BDC]
		1	3, 7	L	02, 06	EX8			With [BDC]
		1	3, 7	L	12, 15, 16	EX8			With [BDC]

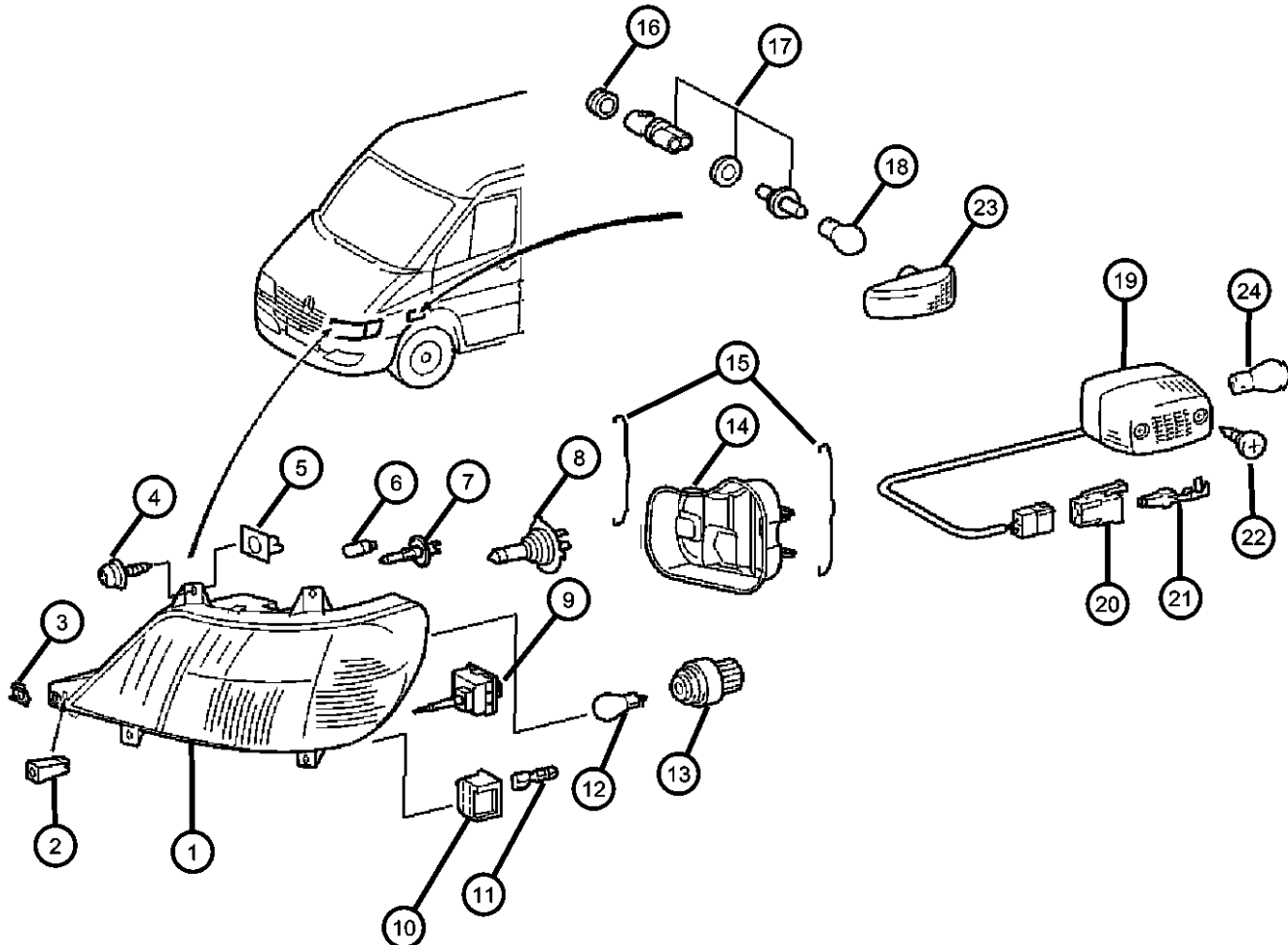
SPRINTER (VA)

SERIES	LINE	BODY	ENGINE	TRANSMISSION
L = LOWLINE	3 = HD DODGE 2WD 8 = HD DODGE 4WD 6 = Lt. Duty DODGE 4WD 2 = Med. Duty DODGE 2WD 7 = Med. Duty DODGE 4WD 4 = TRUCK	12 = Van 140" 51 = Wagon 118" 52 = Wagon 140" 14 = Van 118" 15 = Van 140" 16 = Van 158" 54 = Wagon 118" 55 = Wagon 140" 56 = Wagon 158" 01 = Chassis Forward Control 118" 02 = Chassis Forward Control 140" 06 = Front Section 158" 11 = Van 118"	EX8 = Engine - 2.7L I5 Mercedes-Benz TD	DGJ = Transmission - 5-Spd Auto, MB

AR = use ase required - = Non illustrated part

Lamps - Front End
Figure 8-1105

ITEM	PART NUMBER	QTY	LINE	SERIES	BODY	ENGINE	TRANS	TRIM	DESCRIPTION
1									LAMP, Headlamp Park And Turn
	05103598AA	1	6	L	01, 02, 06	EX8	DGJ		[MGQ], Left
		1	6	L	11, 12, 14, 15, 16	EX8	DGJ		[MGQ], Left
		1	6	L	51, 52, 54, 55, 56	EX8	DGJ		[MGQ], Left
		1	7	L	02, 06	EX8	DGJ		[MGQ], Left
		1	7	L	12, 15, 16	EX8	DGJ		[MGQ], Left
	05103599AA	1	6	L	01, 02, 06	EX8	DGJ		[MGQ], Right
		1	6	L	11, 12, 14, 15, 16	EX8	DGJ		[MGQ], Right
		1	6	L	51, 52, 54, 55, 56	EX8	DGJ		[MGQ], Right
		1	7	L	12, 15, 16	EX8	DGJ		[MGQ], Right
	05104469AA	1	6	L	01, 02, 06	EX8	DGJ		[LNJ,MGQ], Right
		1	6	L	11, 12, 14, 15, 16	EX8	DGJ		[LNJ,MGQ], Right
		1	7	L	02, 06	EX8	DGJ		[MGQ], Right
		1	6	L	51, 52, 54, 55, 56	EX8	DGJ		[LNJ,MGQ], Right
		1	7	L	02, 06	EX8	DGJ		[LNJ,MGQ], Right
		1	7	L	12, 15, 16	EX8	DGJ		[LNJ,MGQ], Right
	05124510AA	1	6	L	01, 02, 06	EX8	DGJ		[LNJ,MGQ], Left
		1	6	L	51, 52, 54, 55, 56	EX8	DGJ		[LNJ,MGQ], Left
		1	7	L	02, 06	EX8	DGJ		[LNJ,MGQ], Left
		1	7	L	12, 15, 16	EX8	DGJ		[LNJ,MGQ], Left
	05124526AA	1	2	L	01, 02, 06	EX8	DGJ		[MG4], Left
		1	6	L	11, 12, 14, 15, 16	EX8	DGJ		[LNJ,MGQ], Left
		1	2	L	11, 12, 14, 15, 16	EX8	DGJ		[MG4], Left
		1	2	L	51, 52, 54, 55, 56	EX8	DGJ		[MG4], Left



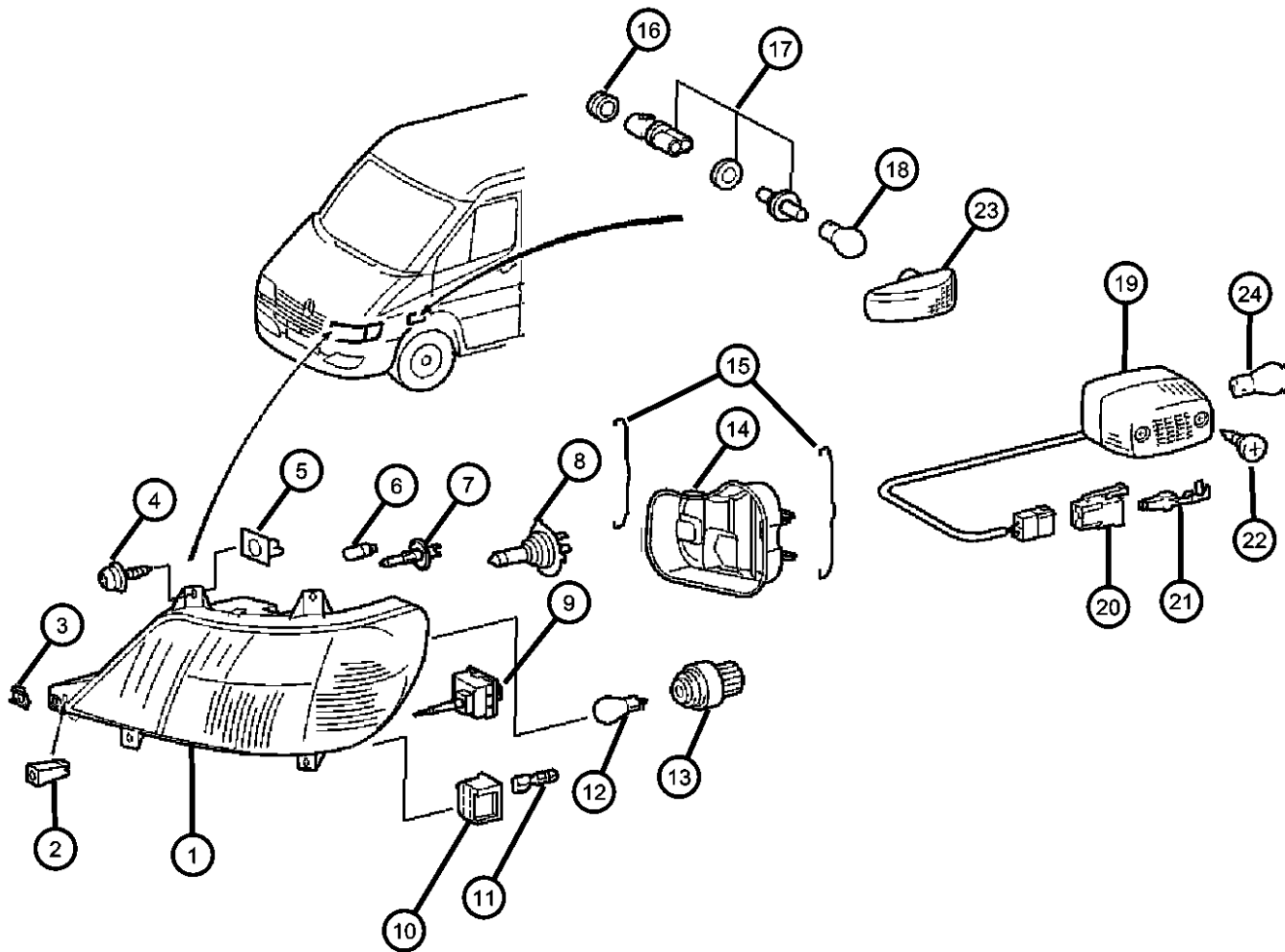
SPRINTER (VA)

SERIES	LINE	BODY	ENGINE	TRANSMISSION
L = LOWLINE	3 = HD DODGE 2WD 8 = HD DODGE 4WD 6 = Lt. Duty DODGE 4WD 2 = Med. Duty DODGE 2WD 7 = Med. Duty DODGE 4WD 4 = TRUCK	12 = Van 140" 51 = Wagon 118" 52 = Wagon 140" 14 = Van 118" 15 = Van 140" 16 = Van 158" 54 = Wagon 118" 55 = Wagon 140" 56 = Wagon 158" 01 = Chassis Forward Control 118" 02 = Chassis Forward Control 140" 06 = Front Section 158" 11 = Van 118"	EX8 = Engine - 2.7L I5 Mercedes-Benz TD	DGJ = Transmission - 5-Spd Auto, MB

AR = use ase required - = Non illustrated part

2005 VA

Lamps - Front End
Figure 8-1105



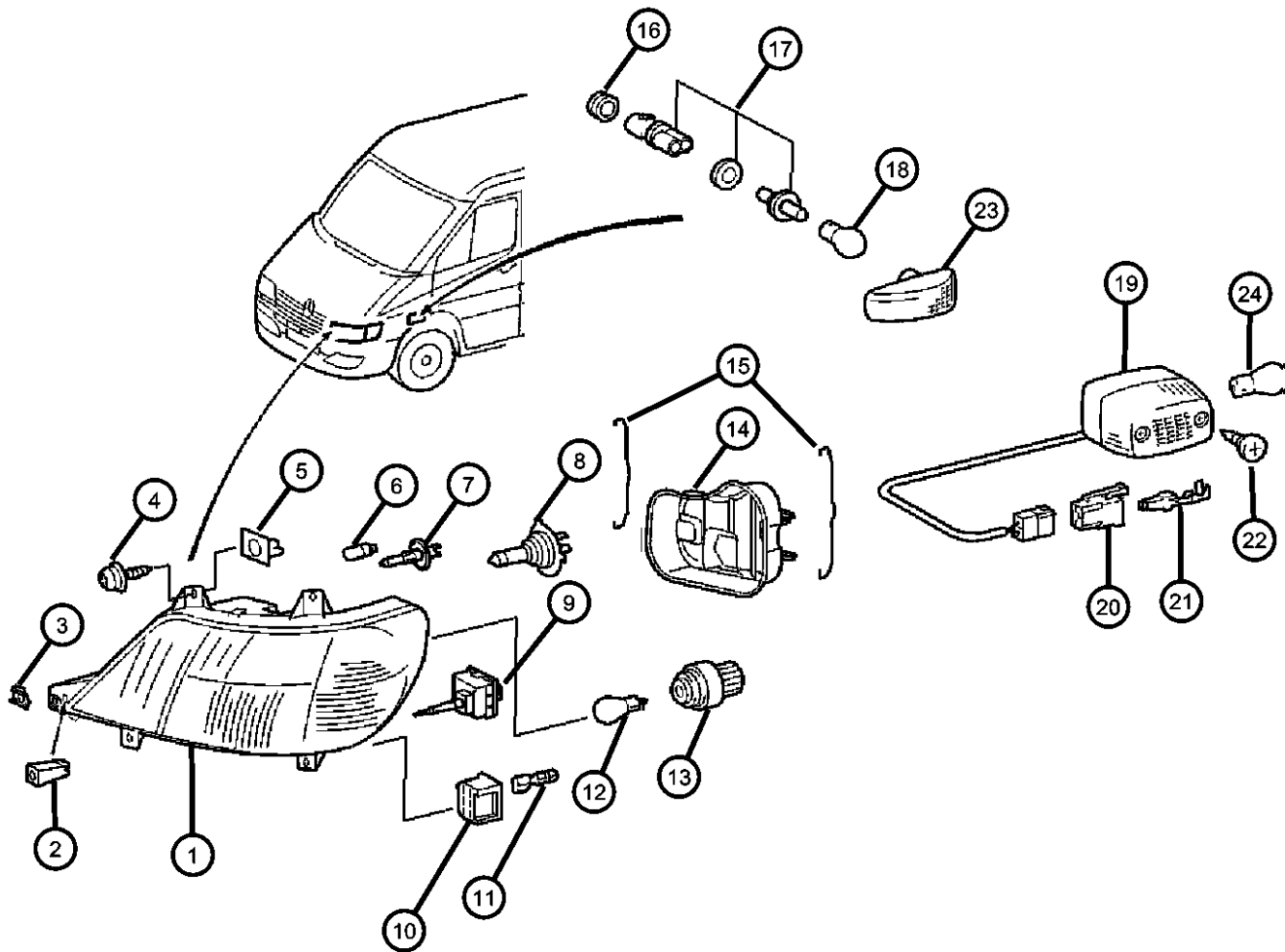
ITEM	PART NUMBER	QTY	LINE	SERIES	BODY	ENGINE	TRANS	TRIM	DESCRIPTION
		1	3	L	02, 06	EX8	DGJ		[MG4], Left
		1	3	L	12, 15, 16	EX8	DGJ		[MG4], Left
	05124528AA	1	2	L	11, 12, 14, 15, 16	EX8	DGJ		[MG4], Right
		1	2	L	51, 52, 54, 55, 56	EX8	DGJ		[MG4], Right
		1	3	L	02, 06	EX8	DGJ		[MG4], Right
		1	2	L	01, 02, 06	EX8	DGJ		[MG4], Right
	05124529AA	1	3	L	12, 15, 16	EX8	DGJ		[MG4], Right
		1	2	L	01, 02, 06	EX8	DGJ		[MG4, LNJ], Left
		1	2	L	11, 12, 14, 15, 16	EX8	DGJ		[MG4, LNJ], Left
		1	2	L	51, 52, 54, 55, 56	EX8	DGJ		[MG4, LNJ], Left
		1	3	L	02, 06	EX8	DGJ		[MG4, LNJ], Left
	05124531AA	1	3	L	12, 15, 16	EX8	DGJ		[MG4, LNJ], Left
		1	2	L	01, 02, 06	EX8	DGJ		[MG4, LNJ], Right
		1	2	L	11, 12, 14, 15, 16	EX8	DGJ		[MG4, LNJ], Right
		1	2	L	51, 52, 54, 55, 56	EX8	DGJ		[MG4, LNJ], Right
		1	3	L	02, 06	EX8	DGJ		[MG4, LNJ], Right
		1	3	L	12, 15, 16	EX8	DGJ		[MG4, LNJ], Right
2	05103784AA	2	2, 6	L	11, 12, 14, 15, 16	EX8	DGJ		NUT, Push In
		2	2, 6	L	01, 02, 06	EX8	DGJ		
		2	2, 6	L	51, 52, 54, 55, 56	EX8	DGJ		
		2	3, 7	L	02, 06	EX8	DGJ		
3		2	3, 7	L	12, 15, 16	EX8	DGJ		NUT, Spring U Type

SPRINTER (VA)

SERIES	LINE	BODY	ENGINE	TRANSMISSION
L = LOWLINE	3 = HD DODGE 2WD 8 = HD DODGE 4WD 6 = Lt. Duty DODGE 4WD 2 = Med. Duty DODGE 2WD 7 = Med. Duty DODGE 4WD 4 = TRUCK	12 = Van 140" 51 = Wagon 118" 52 = Wagon 140" 14 = Van 118" 15 = Van 140" 16 = Van 158" 54 = Wagon 118" 55 = Wagon 140" 56 = Wagon 158" 01 = Chassis Forward Control 118" 02 = Chassis Forward Control 140" 06 = Front Section 158" 11 = Van 118"	EX8 = Engine - 2.7L I5 Mercedes-Benz TD	DGJ = Transmission - 5-Spd Auto, MB

AR = use ase required - = Non illustrated part

Lamps - Front End
Figure 8-1105



ITEM	PART NUMBER	QTY	LINE	SERIES	BODY	ENGINE	TRANS	TRIM	DESCRIPTION
	05103850AA	2	2, 6	L	11, 12, 14, 15, 16	EX8	DGJ		
		2	2, 6	L	51, 52, 54, 55, 56	EX8	DGJ		
		2	3, 7	L	02, 06	EX8	DGJ		
		2	2, 6	L	01, 02, 06	EX8	DGJ		
		2	3, 7	L	12, 15, 16	EX8	DGJ		
4									SCREW
	06104614AA	16	2, 6	L	11, 12, 14, 15, 16	EX8	DGJ		
		16	2, 6	L	51, 52, 54, 55, 56	EX8	DGJ		
		16	3, 7	L	12, 15, 16	EX8	DGJ		
5									NUT, Plastic Snap-in
	05098837AA	2	2, 6	L	01, 02, 06	EX8	DGJ		
		2	2, 6	L	11, 12, 14, 15, 16	EX8	DGJ		
		2	2, 6	L	51, 52, 54, 55, 56	EX8	DGJ		
		2	3, 7	L	12, 15, 16	EX8	DGJ		
		2	3, 7	L	02, 06	EX8	DGJ		
6									BULB, 12V 5W
	05096968AA	2	2, 6	L	11, 12, 14, 15, 16	EX8	DGJ		
		2	2, 6	L	51, 52, 54, 55, 56	EX8	DGJ		
		2	3, 7	L	12, 15, 16	EX8	DGJ		
		2	2, 6	L	01, 02, 06	EX8	DGJ		
		2	3, 7	L	02, 06	EX8	DGJ		
7									BULB, Fog Lamp, H-3 55 WATT
	05104608AA	2	2, 6	L	01, 02, 06	EX8	DGJ		
		2	3, 7	L	02, 06	EX8	DGJ		
	05133960AA	2	2, 6	L	01, 02, 06	EX8	DGJ		
		2	3, 7	L	02, 06	EX8	DGJ		

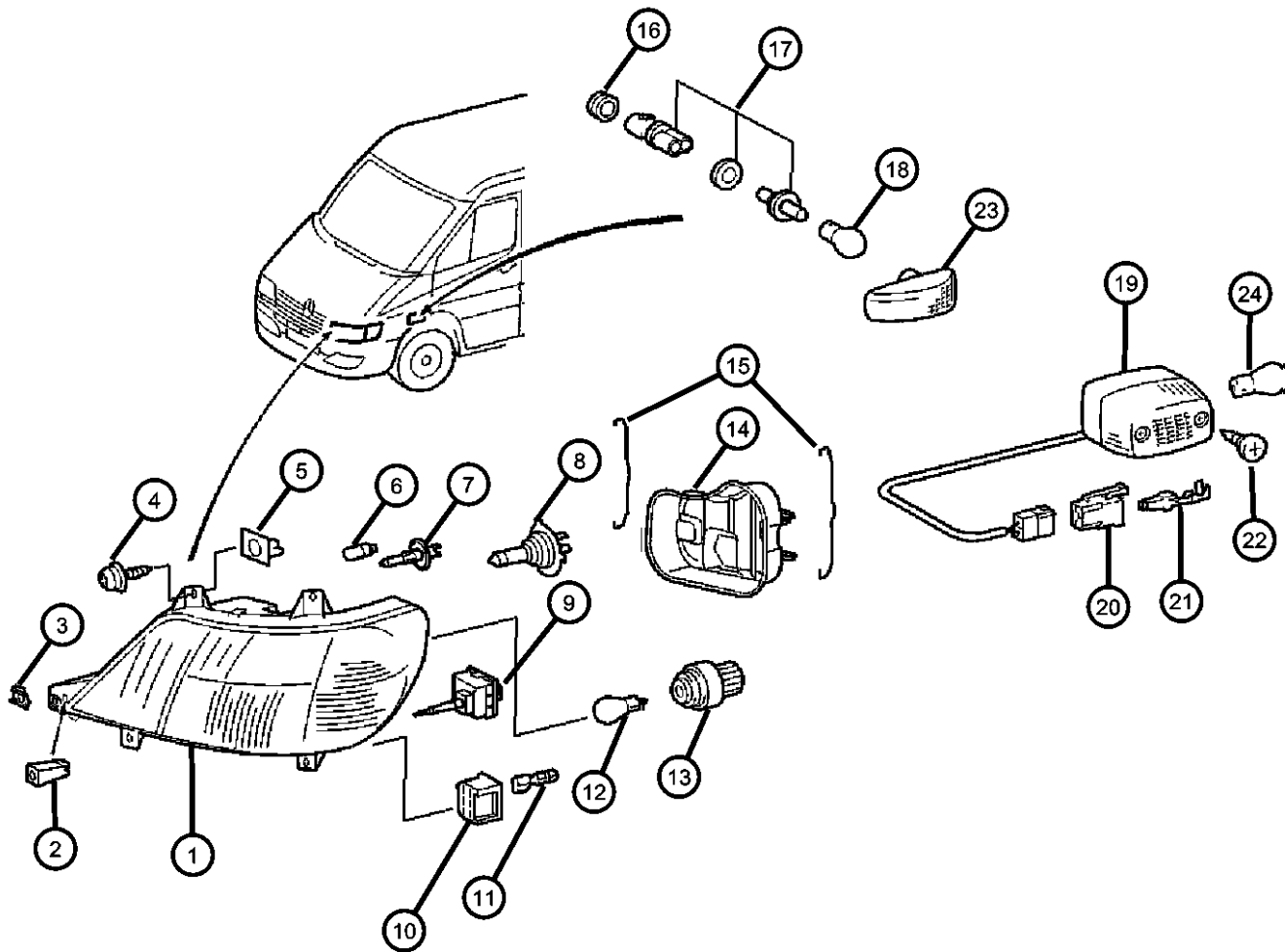
SPRINTER (VA)

SERIES	LINE	BODY	ENGINE	TRANSMISSION
L = LOWLINE	3 = HD DODGE 2WD	12 = Van 140"	EX8 = Engine - 2.7L I5	DGJ = Transmission - 5-Spd Auto, MB
	8 = HD DODGE 4WD	51 = Wagon 118"	Mercedes-Benz TD	
	6 = Lt. Duty DODGE 4WD	52 = Wagon 140"		
	2 = Med. Duty DODGE 2WD	14 = Van 118"		
	7 = Med. Duty DODGE 4WD	15 = Van 140"		
	4 = TRUCK	16 = Van 158"		
		54 = Wagon 118"		
		55 = Wagon 140"		
		56 = Wagon 158"		
		01 = Chassis Forward Control		
		118"		
		02 = Chassis Forward Control		
		140"		
		06 = Front Section 158"		
		11 = Van 118"		

AR = use ase required - = Non illustrated part

2005 VA

Lamps - Front End
Figure 8-1105



ITEM	PART NUMBER	QTY	LINE	SERIES	BODY	ENGINE	TRANS	TRIM	DESCRIPTION
		2	3, 7	L	12, 15, 16	EX8	DGJ		
		2	2, 6	L	11, 12, 14, 15, 16	EX8	DGJ		
		2	2, 6	L	51, 52, 54, 55, 56	EX8	DGJ		
8	05104684AA	2	2, 6	L	01, 02, 06	EX8	DGJ		BULB, Headlamp, H-7
		2	2, 6	L	11, 12, 14, 15, 16	EX8	DGJ		
		2	2, 6	L	51, 52, 54, 55, 56	EX8	DGJ		
		2	3, 7	L	02, 06	EX8	DGJ		
		2	3, 7	L	12, 15, 16	EX8	DGJ		
9	05103688AA	2	6, 2	L	01, 02, 06	EX8	DGJ		MOTOR, Headlamp Leveling
		2	2, 6	L	11, 12, 14, 15, 16	EX8	DGJ		
		2	2, 6	L	51, 52, 54, 55, 56	EX8	DGJ		
		2	3, 7	L	02, 06	EX8	DGJ		
		2	3, 7	L	12, 15, 16	EX8	DGJ		
10	05103896AA	2	2, 6	L	01, 02, 06	EX8	DGJ		CONNECTOR
		2	2, 6	L	11, 12, 14, 15, 16	EX8	DGJ		
		2	3, 7	L	02, 06	EX8	DGJ		
		2	2, 6	L	51, 52, 54, 55, 56	EX8	DGJ		
		1	3, 7	L	12, 15, 16	EX8	DGJ		
11	05103898AA	99	2, 6	L	01, 02, 06	EX8	DGJ		TERMINAL, Female
		99	2, 6	L	11, 12, 14, 15, 16	EX8	DGJ		

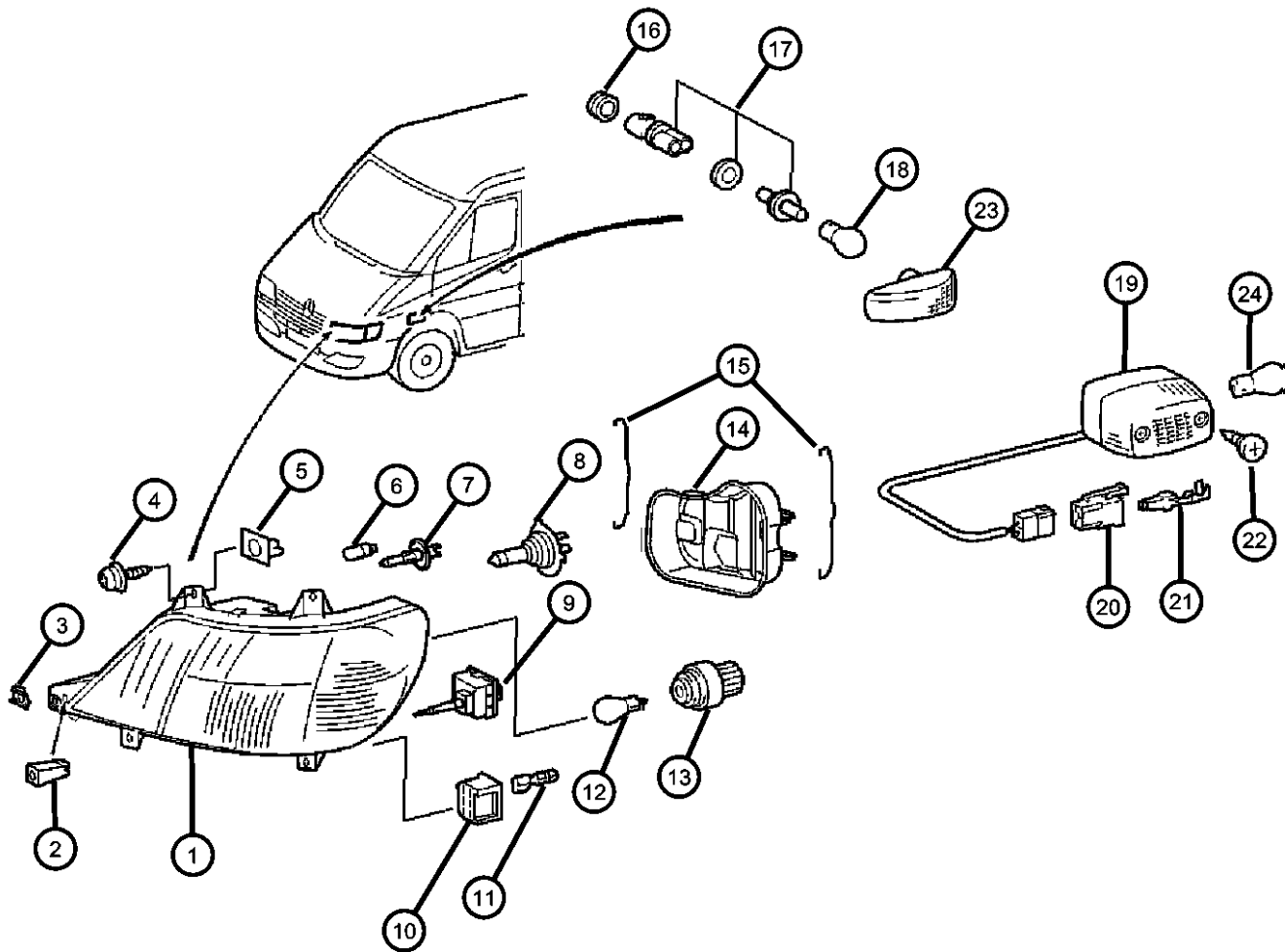
SPRINTER (VA)

SERIES	LINE	BODY	ENGINE	TRANSMISSION
L = LOWLINE	3 = HD DODGE 2WD	12 = Van 140"	EX8 = Engine - 2.7L I5	DGJ = Transmission - 5-Spd Auto, MB
	8 = HD DODGE 4WD	51 = Wagon 118"	Mercedes-Benz TD	
	6 = Lt. Duty DODGE 4WD	52 = Wagon 140"		
	2 = Med. Duty DODGE 2WD	14 = Van 118"		
	7 = Med. Duty DODGE 4WD	15 = Van 140"		
	4 = TRUCK	16 = Van 158"		
		54 = Wagon 118"		
		55 = Wagon 140"		
		56 = Wagon 158"		
		01 = Chassis Forward Control 118"		
		02 = Chassis Forward Control 140"		
		06 = Front Section 158"		
		11 = Van 118"		

AR = use ase required - = Non illustrated part

2005 VA

Lamps - Front End
Figure 8-1105



ITEM	PART NUMBER	QTY	LINE	SERIES	BODY	ENGINE	TRANS	TRIM	DESCRIPTION
		99	2, 6	L	51, 52, 54, 55, 56	EX8	DGJ		
		99	3, 7	L	02, 06	EX8	DGJ		
		99	3, 7	L	12, 15, 16	EX8	DGJ		
12	05104662AA	2	2, 6	L	11, 12, 14, 15, 16	EX8	DGJ		BULB, TAIL LAMP
		2	2, 6	L	51, 52, 54, 55, 56	EX8	DGJ		
		2	3, 7	L	02, 06	EX8	DGJ		
		2	2, 6	L	01, 02, 06	EX8	DGJ		
		2	3, 7	L	12, 15, 16	EX8	DGJ		
13	05103769AA	2	2, 6	L	01, 02, 06	EX8	DGJ		SOCKET, Lamp
		2	2, 6	L	11, 12, 14, 15, 16	EX8	DGJ		
		2	2, 6	L	51, 52, 54, 55, 56	EX8	DGJ		
		2	3, 7	L	02, 06	EX8	DGJ		
		2	3, 7	L	12, 15, 16	EX8	DGJ		
14	05103685AA	1	2, 6	L	01, 02, 06	EX8	DGJ		COVER, Lamp
		1	2, 6	L	11, 12, 14, 15, 16	EX8	DGJ		
		1	2, 6	L	51, 52, 54, 55, 56	EX8	DGJ		
		1	3, 7	L	02, 06	EX8	DGJ		
		1	3, 7	L	12, 15, 16	EX8	DGJ		
15	05103681AA	2	2, 6	L	01, 02, 06	EX8	DGJ		SPRING, Retainer Inside of Lamp
		2	2, 6	L	11, 12, 14, 15, 16	EX8	DGJ		Inside of Lamp

SPRINTER (VA)

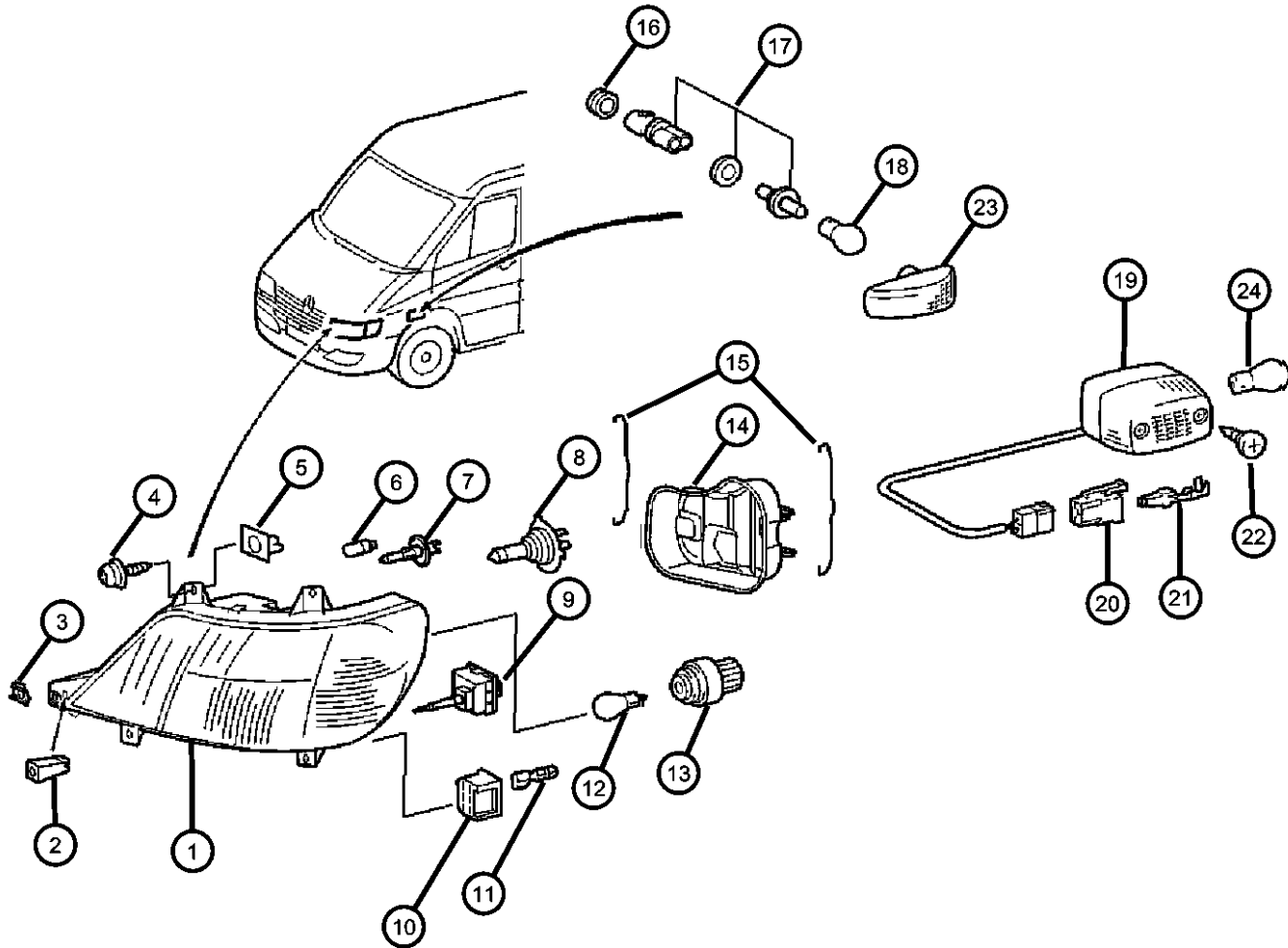
SERIES	LINE	BODY	ENGINE	TRANSMISSION
L = LOWLINE	3 = HD DODGE 2WD	12 = Van 140"	EX8 = Engine - 2.7L I5	DGJ = Transmission - 5-Spd Auto, MB
	8 = HD DODGE 4WD	51 = Wagon 118"	Mercedes-Benz TD	
	6 = Lt. Duty DODGE 4WD	52 = Wagon 140"		
	2 = Med. Duty DODGE 2WD	14 = Van 118"		
	7 = Med. Duty DODGE 4WD	15 = Van 140"		
	4 = TRUCK	16 = Van 158"		
		54 = Wagon 118"		
		55 = Wagon 140"		
		56 = Wagon 158"		
		01 = Chassis Forward Control 118"		
		02 = Chassis Forward Control 140"		
		06 = Front Section 158"		
		11 = Van 118"		

AR = use ase required - = Non illustrated part

2005 VA

Lamps - Front End
Figure 8-1105

ITEM	PART NUMBER	QTY	LINE	SERIES	BODY	ENGINE	TRANS	TRIM	DESCRIPTION
		2	3, 7	L	12, 15, 16	EX8	DGJ		
	05104648AA	99	3, 7	L	12, 15, 16	EX8	DGJ		
19									LAMP, Turn Signal
	05124426AA	1	3, 7	L	02, 06				[LEH]
	05103935AA	2	2, 6	L	01, 02, 06				
		2	2, 6	L	11, 12, 14, 15, 16				
		2	6, 2	L	51, 52, 54, 55, 56				
		2	3, 7	L	02, 06				
		2	3, 7	L	12, 15, 16				
		1	2, 6	L	01, 02, 06				[LEH]
		1	2, 6	L	11, 12, 14, 15, 16				[LEH]
		1	2, 6	L	51, 52, 54, 55, 56				[LEH]
		1	3, 7	L	12, 15, 16				[LEH]
20									CONNECTOR
	05120679AA	2	2, 6	L	01, 02, 06	EX8	DGJ		
		2	2, 6	L	11, 12, 14, 15, 16	EX8	DGJ		
		2	2, 6	L	51, 52, 54, 55, 56	EX8	DGJ		
		2	3, 7	L	02, 06	EX8	DGJ		
		2	3, 7	L	12, 15, 16	EX8	DGJ		
21									TERMINAL
	05103881AA	99	2, 6	L	01, 02, 06	EX8	DGJ		
		99	2, 6	L	51, 52, 54, 55, 56	EX8	DGJ		
		99	3, 7	L	02, 06	EX8	DGJ		
		99	3, 7	L	12, 15, 16	EX8	DGJ		



SPRINTER (VA)

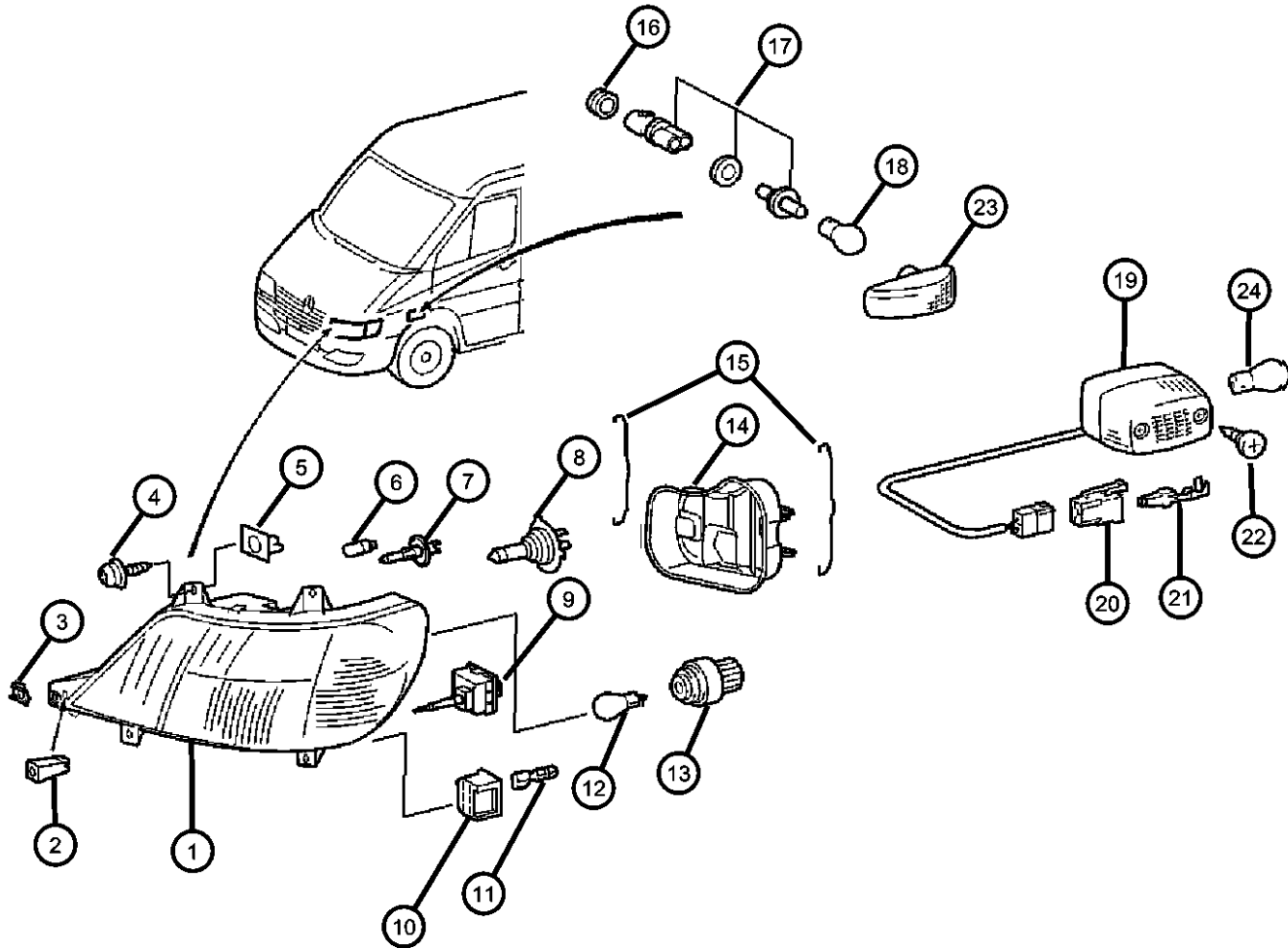
SERIES	LINE	BODY	ENGINE	TRANSMISSION
L = LOWLINE	3 = HD DODGE 2WD 8 = HD DODGE 4WD 6 = Lt. Duty DODGE 4WD 2 = Med. Duty DODGE 2WD 7 = Med. Duty DODGE 4WD 4 = TRUCK	12 = Van 140" 51 = Wagon 118" 52 = Wagon 140" 14 = Van 118" 15 = Van 140" 16 = Van 158" 54 = Wagon 118" 55 = Wagon 140" 56 = Wagon 158" 01 = Chassis Forward Control 118" 02 = Chassis Forward Control 140" 06 = Front Section 158" 11 = Van 118"	EX8 = Engine - 2.7L I5 Mercedes-Benz TD	DGJ = Transmission - 5-Spd Auto, MB

AR = use ase required - = Non illustrated part

2005 VA

Lamps - Front End
Figure 8-1105

ITEM	PART NUMBER	QTY	LINE	SERIES	BODY	ENGINE	TRANS	TRIM	DESCRIPTION
		99	2, 6	L	11, 12, 14, 15, 16	EX8	DGJ		
22	06104498AA	4	2, 6	L	11, 12, 14, 15, 16	EX8	DGJ		SCREW
		4	2, 6	L	51, 52, 54, 55, 56	EX8	DGJ		
		4	3, 7	L	12, 15, 16	EX8	DGJ		
23	05124431AA	2	3, 7	L	02, 06	EX8	DGJ		LAMP, Side Repeater
		2	3, 7	L	12, 15, 16	EX8	DGJ		
		2	2, 6	L	01, 02, 06	EX8	DGJ		
		2	2, 6	L	11, 12, 14, 15, 16	EX8	DGJ		
		2	2, 6	L	51, 52, 54, 55, 56	EX8	DGJ		
24	05104646AA	6	2, 6	L	01, 02, 06	EX8	DGJ		BULB
		4	2, 6	L	11, 12, 14, 15, 16	EX8	DGJ		
		4	2, 6	L	51, 52, 54, 55, 56	EX8	DGJ		
		6	3, 7	L	02, 06	EX8	DGJ		
		4	3, 7	L	12, 15, 16	EX8	DGJ		

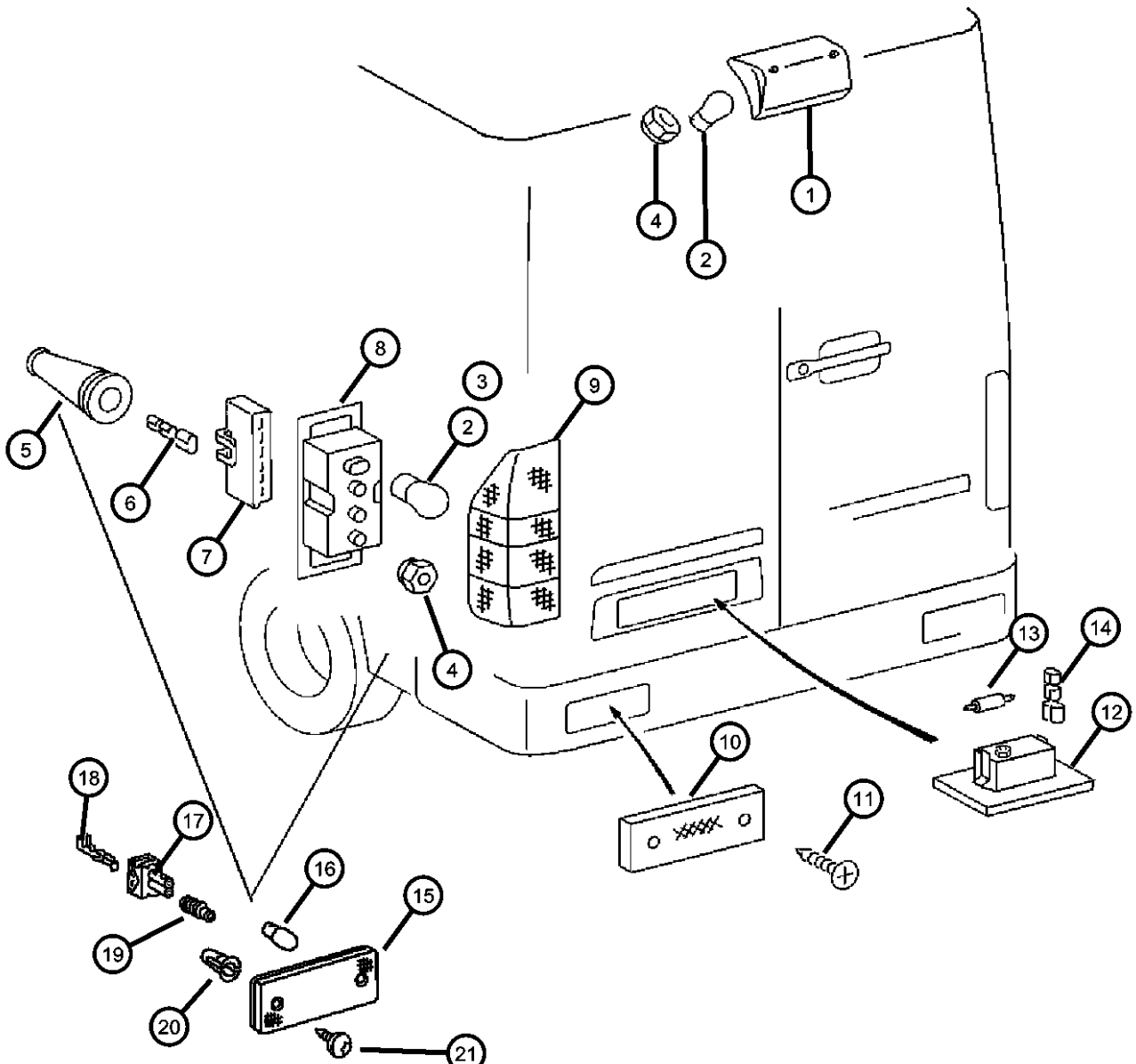


SPRINTER (VA)

SERIES	LINE	BODY	ENGINE	TRANSMISSION
L = LOWLINE	3 = HD DODGE 2WD 8 = HD DODGE 4WD 6 = Lt. Duty DODGE 4WD 2 = Med. Duty DODGE 2WD 7 = Med. Duty DODGE 4WD 4 = TRUCK	12 = Van 140" 51 = Wagon 118" 52 = Wagon 140" 14 = Van 118" 15 = Van 140" 16 = Van 158" 54 = Wagon 118" 55 = Wagon 140" 56 = Wagon 158" 01 = Chassis Forward Control 118" 02 = Chassis Forward Control 140" 06 = Front Section 158" 11 = Van 118"	EX8 = Engine - 2.7L I5 Mercedes-Benz TD	DGJ = Transmission - 5-Spd Auto, MB

AR = use ase required - = Non illustrated part

Lamps - Rear End
Figure 8-1110



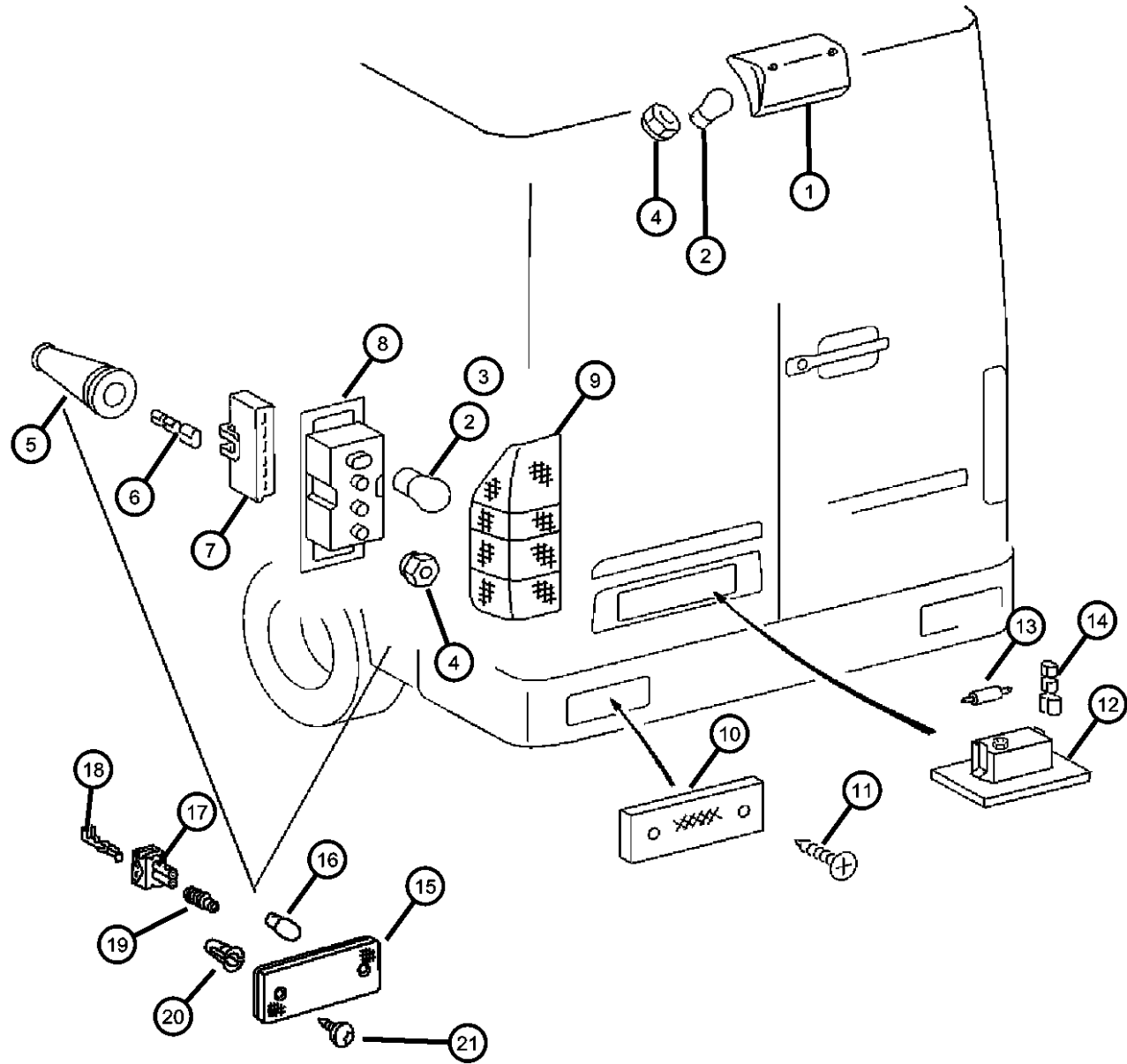
ITEM	PART NUMBER	QTY	LINE	SERIES	BODY	ENGINE	TRANS	TRIM	DESCRIPTION
1									LAMP, Center High Mounted Stop
	05103804AA	1	2, 6	L	14, 15, 16	EX8	DGJ		
		1	2, 6	L	54, 55, 56	EX8	DGJ		
		1	3, 7	L	15, 16	EX8	DGJ		
	05124473AA	1	2, 6	L	11, 12	EX8	DGJ		
		1	2, 6	L	51, 52	EX8	DGJ		
		1	3, 7	L	12	EX8	DGJ		
2									BULB
	05104646AA	1	2, 6	L	11, 12, 14, 15, 16	EX8	DGJ		
		1	2, 6	L	51, 52, 54, 55, 56	EX8	DGJ		
		1	3, 7	L	12, 15, 16	EX8	DGJ		
3									BULB, TAIL LAMP
	05104647AA	2	2, 6	L	11, 12, 14, 15, 16	EX8	DGJ		Dual filament
		2	2, 6	L	51, 52, 54, 55, 56	EX8	DGJ		Dual filament
		2	3, 7	L	12, 15, 16	EX8	DGJ		Dual filament
4									NUT, M5
	06104707AA	8	2, 6	L	11, 12, 14, 15, 16	EX8	DGJ		
		8	2, 6	L	51, 52, 54, 55, 56	EX8	DGJ		
		1	3, 7	L	02, 06	EX8	DGJ		
		1	3, 7	L	12, 15, 16	EX8	DGJ		
5									GROMMET, GROMMET
	05133963AA	1	2, 6	L	11, 12, 14, 15, 16	EX8	DGJ		
		1	2, 6	L	51, 52, 54, 55, 56	EX8	DGJ		
		1	3, 7	L	12, 15, 16	EX8	DGJ		
6									CONNECTOR

SPRINTER (VA)

SERIES	LINE	BODY	ENGINE	TRANSMISSION
L = LOWLINE	3 = HD DODGE 2WD 8 = HD DODGE 4WD 6 = Lt. Duty DODGE 4WD 2 = Med. Duty DODGE 2WD 7 = Med. Duty DODGE 4WD 4 = TRUCK	12 = Van 140" 51 = Wagon 118" 52 = Wagon 140" 14 = Van 118" 15 = Van 140" 16 = Van 158" 54 = Wagon 118" 55 = Wagon 140" 56 = Wagon 158" 01 = Chassis Forward Control 118" 02 = Chassis Forward Control 140" 06 = Front Section 158" 11 = Van 118"	EX8 = Engine - 2.7L I5 Mercedes-Benz TD	DGJ = Transmission - 5-Spd Auto, MB

AR = use ase required - = Non illustrated part

Lamps - Rear End
Figure 8-1110



ITEM	PART NUMBER	QTY	LINE	SERIES	BODY	ENGINE	TRANS	TRIM	DESCRIPTION
	05120596AA	2	3, 7	L	12, 15, 16	EX8	DGJ		
		2	2, 6	L	11, 12, 14, 15, 16	EX8	DGJ		
7									CONNECTOR
	05120543AA	1	2, 6	L	01, 02, 06	EX8	DGJ		
		2	2, 6	L	11, 12, 14, 15, 16	EX8	DGJ		
		2	2, 6	L	51, 52, 54, 55, 56	EX8	DGJ		
		1	3, 7	L	02, 06	EX8	DGJ		
		2	3, 7	L	12, 15, 16	EX8	DGJ		
8									LAMP, Tail Stop Turn
	05103597AA	1	3, 7	L	12, 15, 16	EX8	DGJ		Right
	05103596AA	1	2, 6	L	11, 12, 14, 15, 16	EX8	DGJ		Left
		1	2, 6	L	51, 52, 54, 55, 56	EX8	DGJ		Left
		1	3, 7	L	12, 15, 16	EX8	DGJ		Left
		1	2, 6	L	11, 12, 14, 15, 16	EX8	DGJ		Right
		1	2, 6	L	51, 52, 54, 55, 56	EX8	DGJ		Right
9		1							LENS, Taillamp, Serviced in Lamp Assembly, (NOT SERVICED)
10									REFLECTOR, Fascia
	05103684AA	2	2, 6	L	11, 12, 14, 15, 16	EX8	DGJ		
		2	2, 6	L	51, 52, 54, 55, 56	EX8	DGJ		
		2	3, 7	L	12, 15, 16	EX8	DGJ		
11									SCREW
	06104498AA	4	6, 2	L	11, 12, 14, 15, 16	EX8	DGJ		
		4	2, 6	L	51, 52, 54, 55, 56	EX8	DGJ		

SPRINTER (VA)

SERIES

L = LOWLINE

LINE

3 = HD DODGE 2WD
8 = HD DODGE 4WD
6 = Lt. Duty DODGE 4WD
2 = Med. Duty DODGE 2WD
7 = Med. Duty DODGE 4WD
4 = TRUCK

BODY

12 = Van 140"
51 = Wagon 118"
52 = Wagon 140"
14 = Van 118"
15 = Van 140"
16 = Van 158"
54 = Wagon 118"
55 = Wagon 140"
56 = Wagon 158"
01 = Chassis Forward Control 118"
02 = Chassis Forward Control 140"
06 = Front Section 158"
11 = Van 118"

ENGINE

EX8 = Engine - 2.7L I5 Mercedes-Benz TD

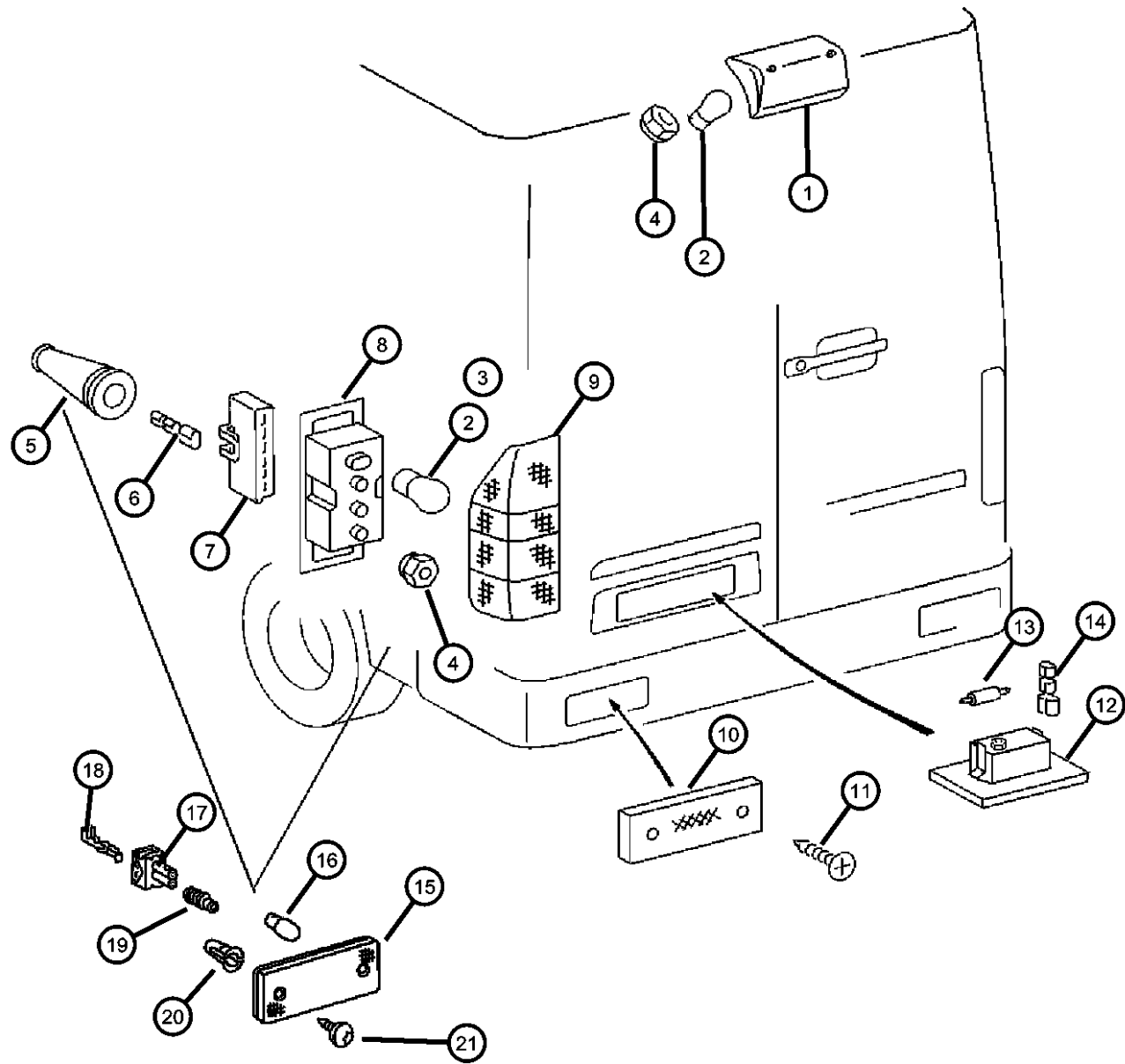
TRANSMISSION

DGJ = Transmission - 5-Spd Auto, MB

AR = use ase required - = Non illustrated part

2005 VA

Lamps - Rear End
Figure 8-1110



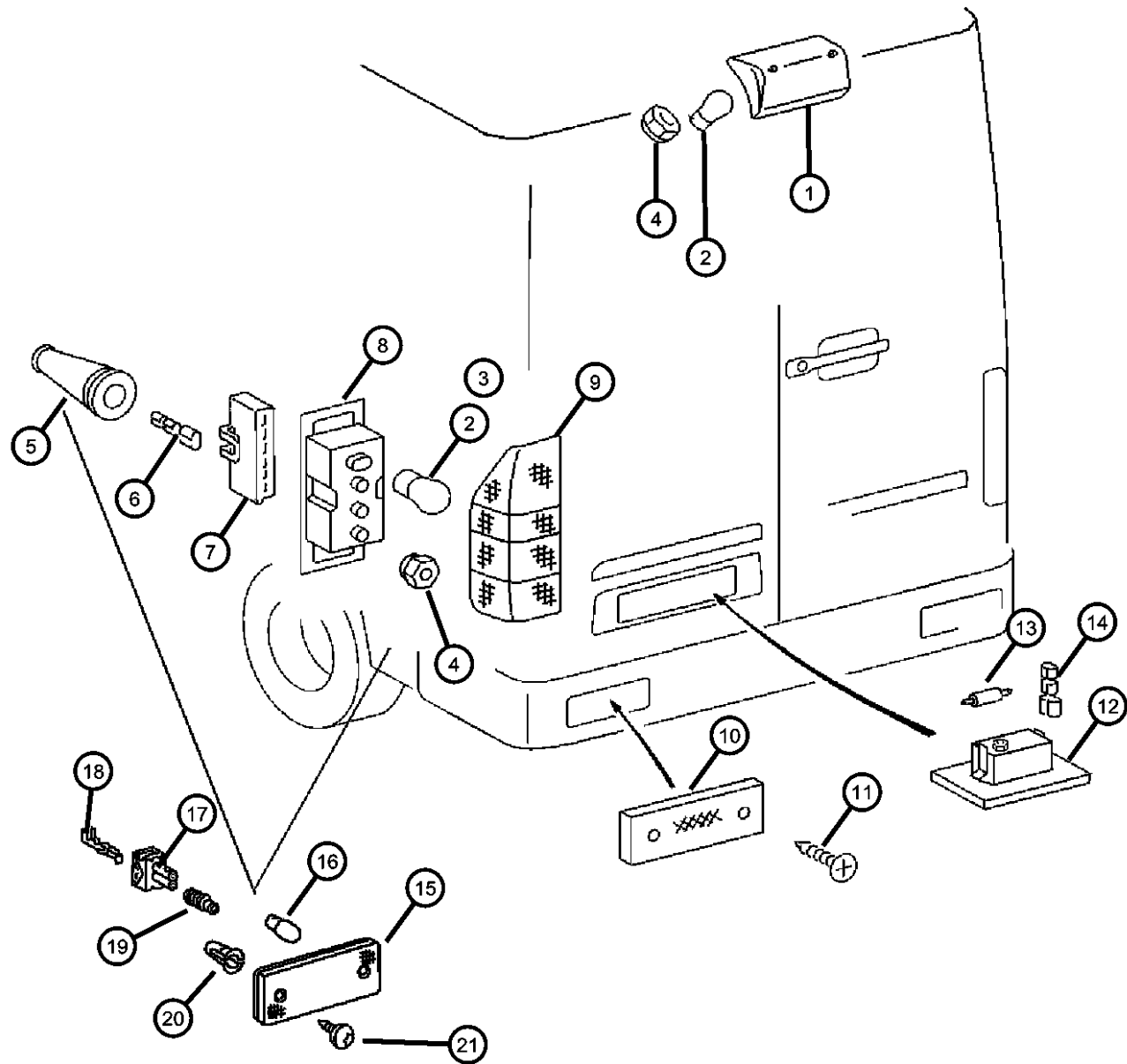
ITEM	PART NUMBER	QTY	LINE	SERIES	BODY	ENGINE	TRANS	TRIM	DESCRIPTION
12		4	3, 7	L	12, 15, 16	EX8	DGJ		LAMP, License Plate
	05104462AA	2	2, 6	L	11, 12, 14, 15, 16	EX8	DGJ		
		2	2, 6	L	51, 52, 54, 55, 56	EX8	DGJ		
13		2	3, 7	L	12, 15, 16	EX8	DGJ		BULB, 12V 5W
	05096968AA	2	2, 6	L	11, 12, 14, 15, 16	EX8	DGJ		
		2	2, 6	L	51, 52, 54, 55, 56	EX8	DGJ		
14		2	3, 7	L	12, 15, 16	EX8	DGJ		TERMINAL, Female
	05133927AA	99	2, 6	L	11, 12, 14, 15, 16	EX8	DGJ		
		99	2, 6	L	51, 52, 54, 55, 56	EX8	DGJ		
15		99	3, 7	L	12, 15, 16	EX8	DGJ		LAMP, Side Marker
	05124477AA	6	2, 6	L	16				
		4	2, 6	L	11, 12, 14, 15, 16				
		6	2, 6	L	56				
		4	2, 6	L	51, 52, 54, 55, 56				
		4	3, 7	L	12, 15				
16		6	3, 7	L	16				BULB
	05104649AA	2	2, 6	L	11, 12, 14, 15, 16	EX8	DGJ		
		2	2, 6	L	51, 52, 54, 55, 56	EX8	DGJ		

SPRINTER (VA)

SERIES	LINE	BODY	ENGINE	TRANSMISSION
L = LOWLINE	3 = HD DODGE 2WD 8 = HD DODGE 4WD 6 = Lt. Duty DODGE 4WD 2 = Med. Duty DODGE 2WD 7 = Med. Duty DODGE 4WD 4 = TRUCK	12 = Van 140" 51 = Wagon 118" 52 = Wagon 140" 14 = Van 118" 15 = Van 140" 16 = Van 158" 54 = Wagon 118" 55 = Wagon 140" 56 = Wagon 158" 01 = Chassis Forward Control 118" 02 = Chassis Forward Control 140" 06 = Front Section 158" 11 = Van 118"	EX8 = Engine - 2.7L I5 Mercedes-Benz TD	DGJ = Transmission - 5-Spd Auto, MB

AR = use ase required - = Non illustrated part

Lamps - Rear End
Figure 8-1110



ITEM	PART NUMBER	QTY	LINE	SERIES	BODY	ENGINE	TRANS	TRIM	DESCRIPTION
		6	3, 7	L	02, 06	EX8	DGJ		
		2	3, 7	L	12, 15, 16	EX8	DGJ		
		6	2, 6	L	01, 02, 06	EX8	DGJ		
17									CONNECTOR
	05103879AA	99	2, 6	L	51, 52, 54, 55, 56	EX8	DGJ		
		99	3, 7	L	02, 06	EX8	DGJ		
		99	2, 6	L	01, 02, 06	EX8	DGJ		
		99	2, 6	L	11, 12, 14, 15, 16	EX8	DGJ		
		99	3, 7	L	12, 15, 16	EX8	DGJ		
18									TERMINAL
	05102935AA	99	2, 6	L	01, 02, 06	EX8	DGJ		
		99	2, 6	L	11, 12, 14, 15, 16	EX8	DGJ		
		99	2, 6	L	51, 52, 54, 55, 56	EX8	DGJ		
		99	3, 7	L	02, 06	EX8	DGJ		
		99	3, 7	L	12, 15, 16	EX8	DGJ		
19									GASKET
	05103661AA	99	2, 6	L	01, 02, 06	EX8	DGJ		
		99	2, 6	L	11, 12, 14, 15, 16	EX8	DGJ		
		99	2, 6	L	51, 52, 54, 55, 56	EX8	DGJ		
		99	3, 7	L	02, 06	EX8	DGJ		
		99	3, 7	L	12, 15, 16	EX8	DGJ		
20									NUT, Push In
	05103841AA	4	2, 6	L	11, 12, 14, 15, 16	EX8	DGJ		
		4	2, 6	L	01, 02, 06	EX8	DGJ		

SPRINTER (VA)

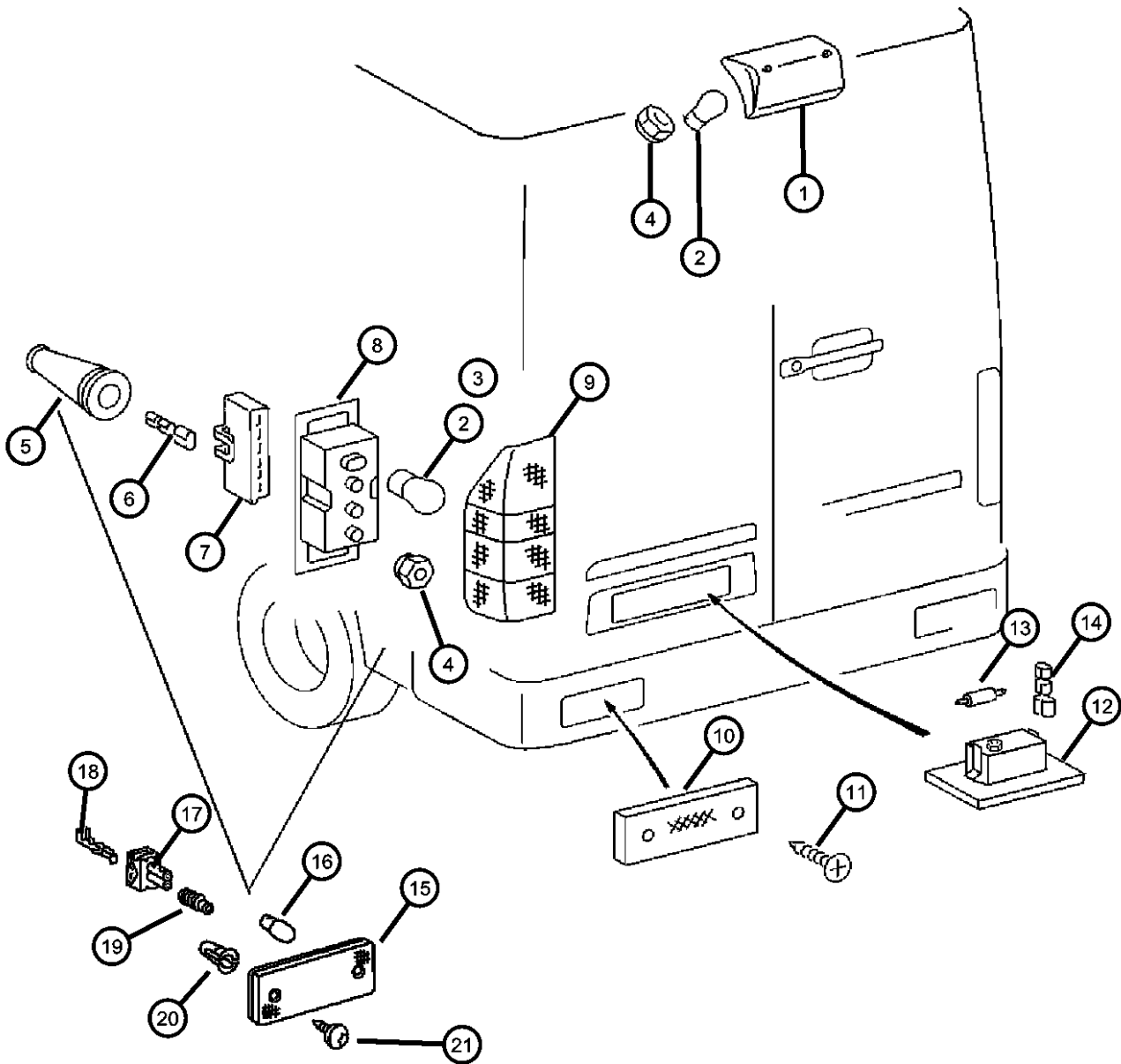
SERIES	LINE	BODY	ENGINE	TRANSMISSION
L = LOWLINE	3 = HD DODGE 2WD	12 = Van 140"	EX8 = Engine - 2.7L I5	DGJ = Transmission - 5-Spd Auto, MB
	8 = HD DODGE 4WD	51 = Wagon 118"	Mercedes-Benz TD	
	6 = Lt. Duty DODGE 4WD	52 = Wagon 140"		
	2 = Med. Duty DODGE 2WD	14 = Van 118"		
	7 = Med. Duty DODGE 4WD	15 = Van 140"		
	4 = TRUCK	16 = Van 158"		
		54 = Wagon 118"		
		55 = Wagon 140"		
		56 = Wagon 158"		
		01 = Chassis Forward Control 118"		
		02 = Chassis Forward Control 140"		
		06 = Front Section 158"		
		11 = Van 118"		

AR = use ase required - = Non illustrated part

2005 VA

Lamps - Rear End
Figure 8-1110

ITEM	PART NUMBER	QTY	LINE	SERIES	BODY	ENGINE	TRANS	TRIM	DESCRIPTION
		4	2, 6	L	51, 52, 54, 55, 56	EX8	DGJ		
		4	3, 7	L	02, 06	EX8	DGJ		
		4	3, 7	L	12, 15, 16	EX8	DGJ		
21	06104498AA	4	2, 6	L	11, 12, 14, 15, 16	EX8	DGJ		SCREW
		4	2, 6	L	51, 52, 54, 55, 56	EX8	DGJ		
		4	3, 7	L	12, 15, 16	EX8	DGJ		
-22	05124605AA	4	2, 6	L	11, 12, 14, 15, 16	EX8	DGJ		LENS Side panel reflector
		4	2, 6	L	51, 52, 54, 55, 56	EX8	DGJ		Side panel reflector
		4	3, 7	L	16	EX8	DGJ		Side panel reflector



SPRINTER (VA)

SERIES

L = LOWLINE

LINE

3 = HD DODGE 2WD
8 = HD DODGE 4WD
6 = Lt. Duty DODGE 4WD
2 = Med. Duty DODGE 2WD
7 = Med. Duty DODGE 4WD
4 = TRUCK

BODY

12 = Van 140"
51 = Wagon 118"
52 = Wagon 140"
14 = Van 118"
15 = Van 140"
16 = Van 158"
54 = Wagon 118"
55 = Wagon 140"
56 = Wagon 158"
01 = Chassis Forward Control
118"
02 = Chassis Forward Control
140"
06 = Front Section 158"
11 = Van 118"

ENGINE

EX8 = Engine - 2.7L I5
Mercedes-Benz TD

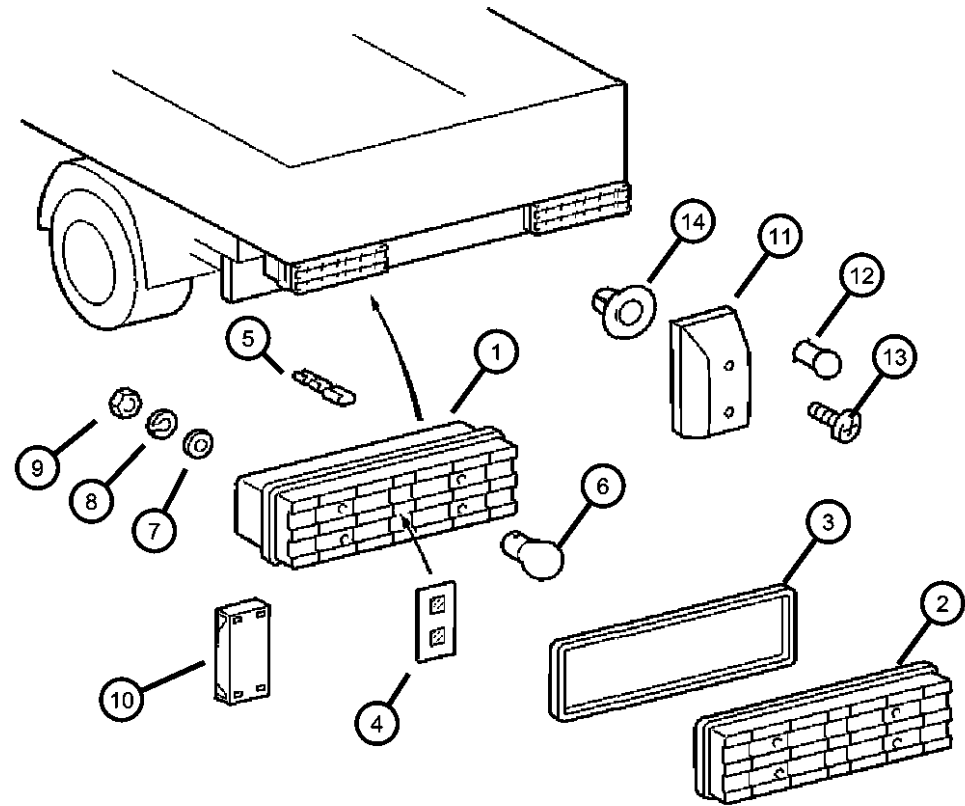
TRANSMISSION

DGJ = Transmission - 5-Spd Auto, MB

AR = use ase required - = Non illustrated part

2005 VA

Lamps Rear End Cab and Chassis Vehicles
Figure 8-1115



ITEM	PART NUMBER	QTY	LINE	SERIES	BODY	ENGINE	TRANS	TRIM	DESCRIPTION
1									LAMP, Tail Stop Turn
	05124543AA	1	2, 6	L	01, 02, 06	EX8	DGJ		Left
		1	3, 7	L	02, 06	EX8	DGJ		Left
	05124545AA	1	2, 6	L	01, 02, 06	EX8	DGJ		Right
		1	3, 7	L	02, 06	EX8	DGJ		Right
2		1							LENS, Serviced in lamp assembly, (NOT SERVICED)
3		1							GASKET, Tail Lamp, Serviced in lamp assembly, (NOT SERVICED)
4		1							REFLECTOR, Tail Lamp, (NOT SERVICED)
5									TERMINAL, Female
	05114451AA	99	2, 6	L	01, 02, 06	EX8	DGJ		
		99	2, 6	L	11, 12, 14, 15, 16	EX8	DGJ		
		99	2, 6	L	51, 52, 54, 55, 56	EX8	DGJ		
		99	3, 7	L	02, 06	EX8	DGJ		
		99	3, 7	L	12, 15, 16	EX8	DGJ		
6									BULB
	05104646AA	1	3, 7	L	12, 15, 16	EX8	DGJ		
		4	3, 7	L	12, 15, 16	EX8	DGJ		
7		4							WASHER, (NOT SERVICED)
8									WASHER, Lock
	05126241AA	4	2, 6	L	01, 02, 06	EX8	DGJ		
		4	3, 7	L	02, 06	EX8	DGJ		
9									NUT
	05126206AA	6	3, 7	L	02, 06	EX8	DGJ		
		99	3, 7	L	12, 15, 16	EX8	DGJ		
10	05136991AA	1	2, 3, 6, 7	L		EX8	DGJ		CAP
11	05136991AA	1							LAMP, License Plate, (NOT SERVICED)

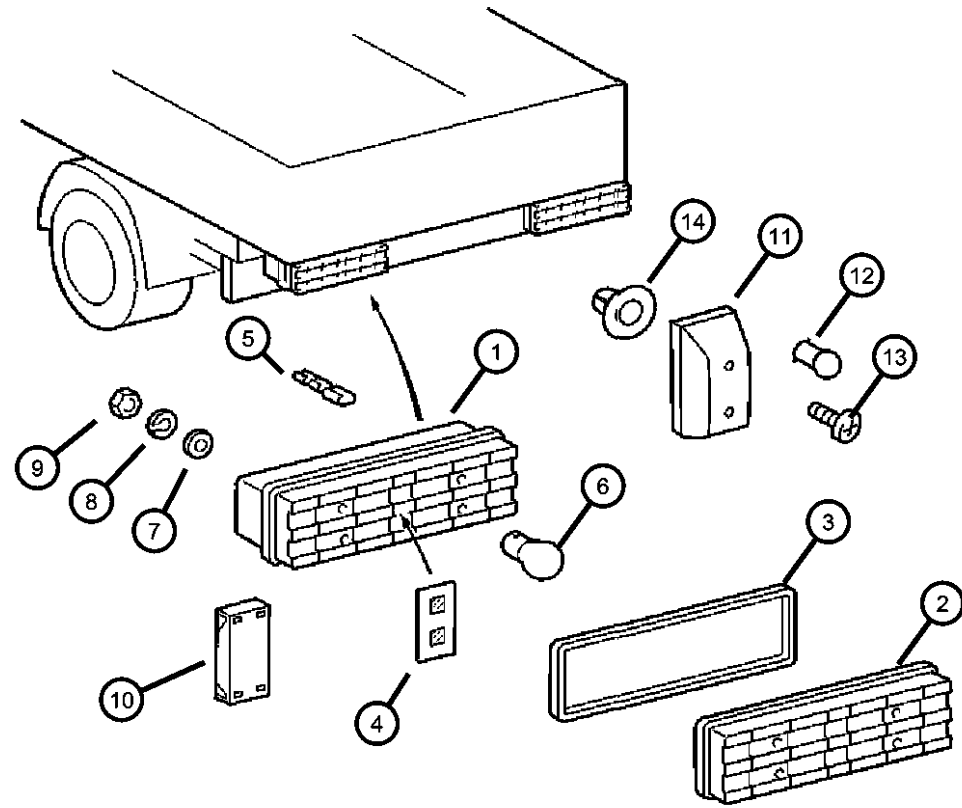
SPRINTER (VA)

SERIES	LINE	BODY	ENGINE	TRANSMISSION
L = LOWLINE	3 = HD DODGE 2WD	12 = Van 140"	EX8 = Engine - 2.7L I5	DGJ = Transmission - 5-Spd Auto, MB
	8 = HD DODGE 4WD	51 = Wagon 118"	Mercedes-Benz TD	
	6 = Lt. Duty DODGE 4WD	52 = Wagon 140"		
	2 = Med. Duty DODGE 2WD	14 = Van 118"		
	7 = Med. Duty DODGE 4WD	15 = Van 140"		
	4 = TRUCK	16 = Van 158"		
		54 = Wagon 118"		
		55 = Wagon 140"		
		56 = Wagon 158"		
		01 = Chassis Forward Control 118"		
		02 = Chassis Forward Control 140"		
		06 = Front Section 158"		
		11 = Van 118"		

AR = use ase required - = Non illustrated part

Lamps Rear End Cab and Chassis Vehicles
Figure 8-1115

ITEM	PART NUMBER	QTY	LINE	SERIES	BODY	ENGINE	TRANS	TRIM	DESCRIPTION
12	05136991AA	1							BULB, 12V 10W, (NOT SERVICED)
13	05136991AA	1							SCREW, (NOT SERVICED)
14									NUT, Push In
	05103841AA	8	2, 6	L	16	EX8	DGJ		
		8	2, 6	L	56	EX8	DGJ		
		4	3, 7	L	02, 06	EX8	DGJ		
		4	3, 7	L	12, 15, 16	EX8	DGJ		

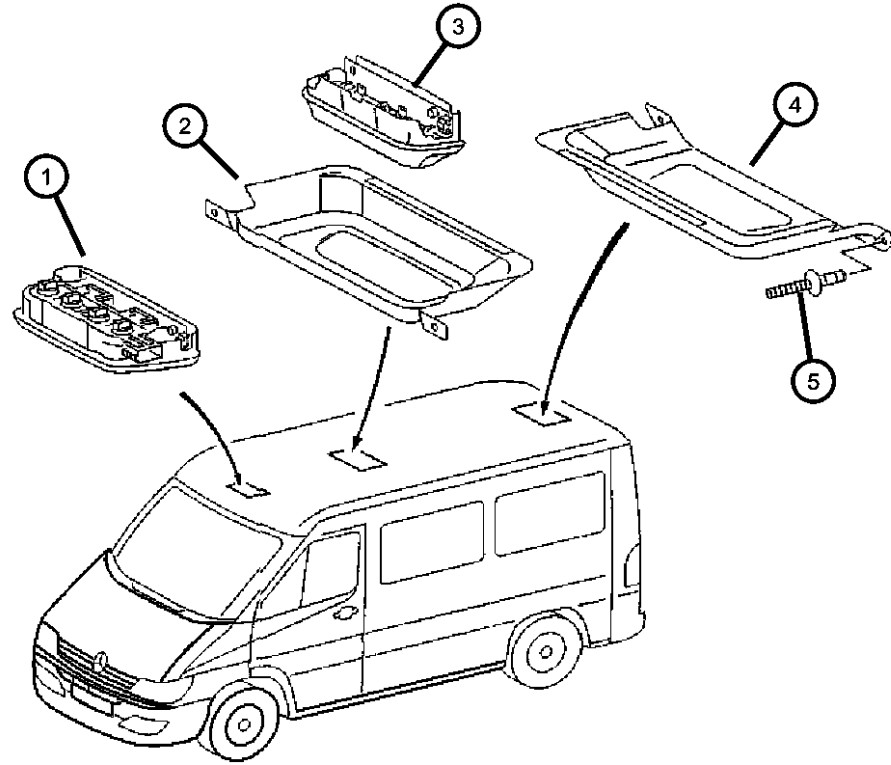


SPRINTER (VA)

SERIES	LINE	BODY	ENGINE	TRANSMISSION
L = LOWLINE	3 = HD DODGE 2WD 8 = HD DODGE 4WD 6 = Lt. Duty DODGE 4WD 2 = Med. Duty DODGE 2WD 7 = Med. Duty DODGE 4WD 4 = TRUCK	12 = Van 140" 51 = Wagon 118" 52 = Wagon 140" 14 = Van 118" 15 = Van 140" 16 = Van 158" 54 = Wagon 118" 55 = Wagon 140" 56 = Wagon 158" 01 = Chassis Forward Control 118" 02 = Chassis Forward Control 140" 06 = Front Section 158" 11 = Van 118"	EX8 = Engine - 2.7L I5 Mercedes-Benz TD	DGJ = Transmission - 5-Spd Auto, MB

AR = use ase required - = Non illustrated part

Lamps Interior Passenger Van
Figure 8-1120



ITEM	PART NUMBER	QTY	LINE	SERIES	BODY	ENGINE	TRANS	TRIM	DESCRIPTION
1									LAMP, Reading
	05124399AA	1	2, 6	L	01, 02, 06	EX8	DGJ		
		1	2, 6	L	11, 12, 14, 15, 16	EX8	DGJ		
		1	2, 6	L	51, 52, 54, 55, 56	EX8	DGJ		
		1	3, 7	L	02, 06	EX8	DGJ		
		1	3, 7	L	12, 15, 16	EX8	DGJ		
2									BRACKET
	1BD98RC3AA	1	2, 6	L	11, 12, 14, 15, 16	EX8	DGJ		
		1	2, 6	L	51, 52, 54, 55, 56	EX8	DGJ		
		1	3, 7	L	12, 15, 16	EX8	DGJ		
3									SWITCH
	0ZF50RC3AA	2	2, 6	L	11, 12, 14, 15, 16	EX8	DGJ		
		2	2, 6	L	51, 52, 54, 55, 56	EX8	DGJ		
		2	3, 7	L	12, 15, 16	EX8	DGJ		
4									BRACKET
	1BD99RC3AA	1	2, 6	L	11, 12, 14, 15, 16	EX8	DGJ		
		1	2, 6	L	51, 52, 54, 55, 56	EX8	DGJ		
		1	3, 7	L	12, 15, 16	EX8	DGJ		
5									RIVET, M4.8
	05133934AA	4	2, 6	L	11, 12, 14, 15, 16	EX8	DGJ		
		4	2, 6	L	51, 52, 54, 55, 56	EX8	DGJ		
		1	3, 7	L	02, 06	EX8	DGJ		
		10	3, 7	L	12, 15, 16	EX8	DGJ		
		1	2, 6	L	01, 02, 06	EX8	DGJ		

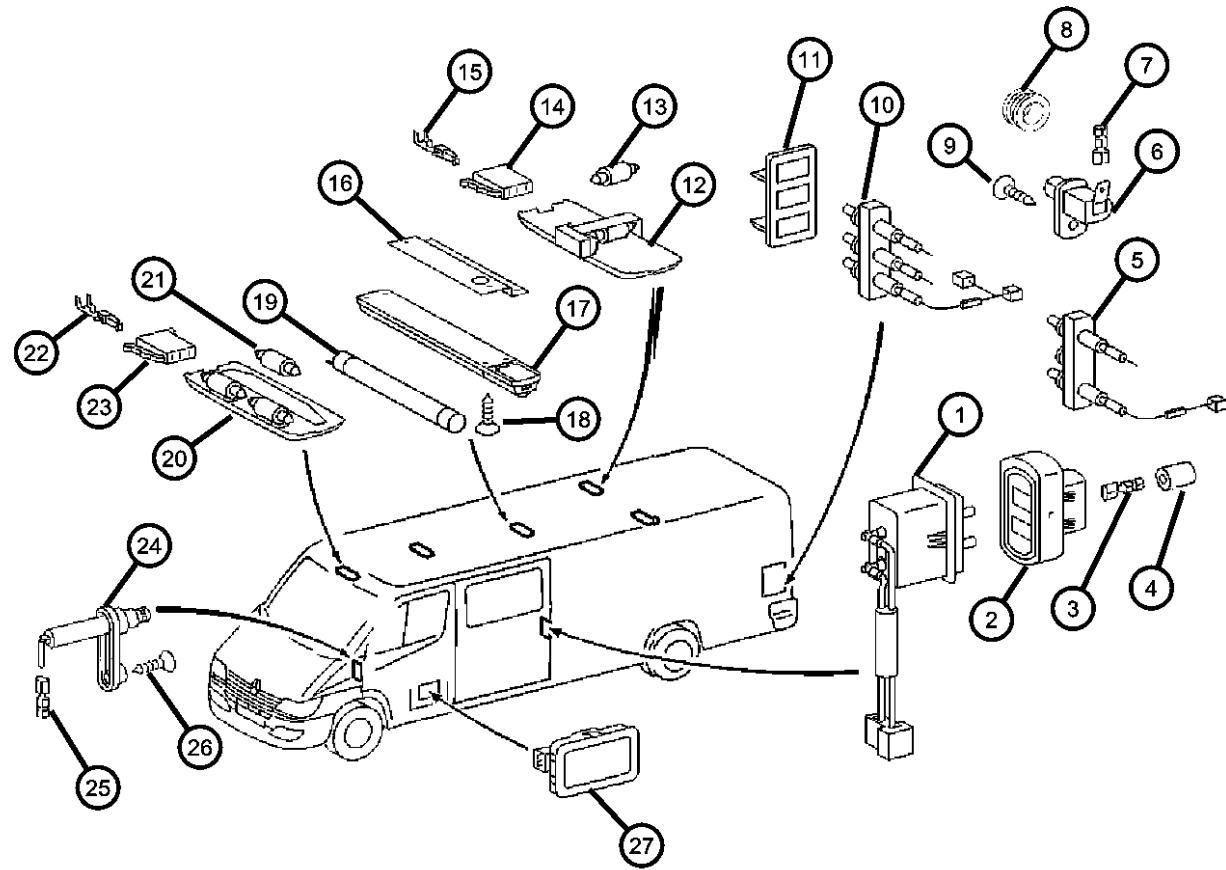
SPRINTER (VA)

SERIES	LINE	BODY	ENGINE	TRANSMISSION
L = LOWLINE	3 = HD DODGE 2WD 8 = HD DODGE 4WD 6 = Lt. Duty DODGE 4WD 2 = Med. Duty DODGE 2WD 7 = Med. Duty DODGE 4WD 4 = TRUCK	12 = Van 140" 51 = Wagon 118" 52 = Wagon 140" 14 = Van 118" 15 = Van 140" 16 = Van 158" 54 = Wagon 118" 55 = Wagon 140" 56 = Wagon 158" 01 = Chassis Forward Control 118" 02 = Chassis Forward Control 140" 06 = Front Section 158" 11 = Van 118"	EX8 = Engine - 2.7L I5 Mercedes-Benz TD	DGJ = Transmission - 5-Spd Auto, MB

AR = use ase required - = Non illustrated part

2005 VA

Lamps Interior Cargo Van
Figure 8-1125



ITEM	PART NUMBER	QTY	LINE	SERIES	BODY	ENGINE	TRANS	TRIM	DESCRIPTION
1	05104463AA	2	3, 7	L	12, 15, 16	EX8	DGJ		CONTACT, Power Door Lock
		2	2, 6	L	11, 12, 14, 15, 16	EX8	DGJ		
		2	2, 6	L	51, 52, 54, 55, 56	EX8	DGJ		
2	05104461AA	2	2, 6	L	11, 12, 14, 15, 16	EX8	DGJ		CONTACT, Power Door Lock
		2	2, 6	L	51, 52, 54, 55, 56	EX8	DGJ		
		2	3, 7	L	12, 15, 16	EX8	DGJ		
3	05114451AA	99	2, 6	L	01, 02, 06	EX8	DGJ		TERMINAL, Female
		99	2, 6	L	11, 12, 14, 15, 16	EX8	DGJ		
		99	2, 6	L	51, 52, 54, 55, 56	EX8	DGJ		
		99	3, 7	L	02, 06	EX8	DGJ		
		99	3, 7	L	12, 15, 16	EX8	DGJ		
4	05133968AA	2	2, 6	L	11, 12, 14, 15, 16	EX8	DGJ		GROMMET
		2	2, 6	L	51, 52, 54, 55, 56	EX8	DGJ		
		2	3, 7	L	02, 06	EX8	DGJ		
		2	3, 7	L	12, 15, 16	EX8	DGJ		
		2	6, 2	L	01, 02, 06	EX8	DGJ		
5	05104016AA	3	2, 6	L	11, 12, 14, 15, 16	EX8	DGJ		CONTACT, Power Door Lock
		3	2, 6	L	51, 52, 54, 55, 56	EX8	DGJ		
		3	3, 7	L	12, 15, 16	EX8	DGJ		

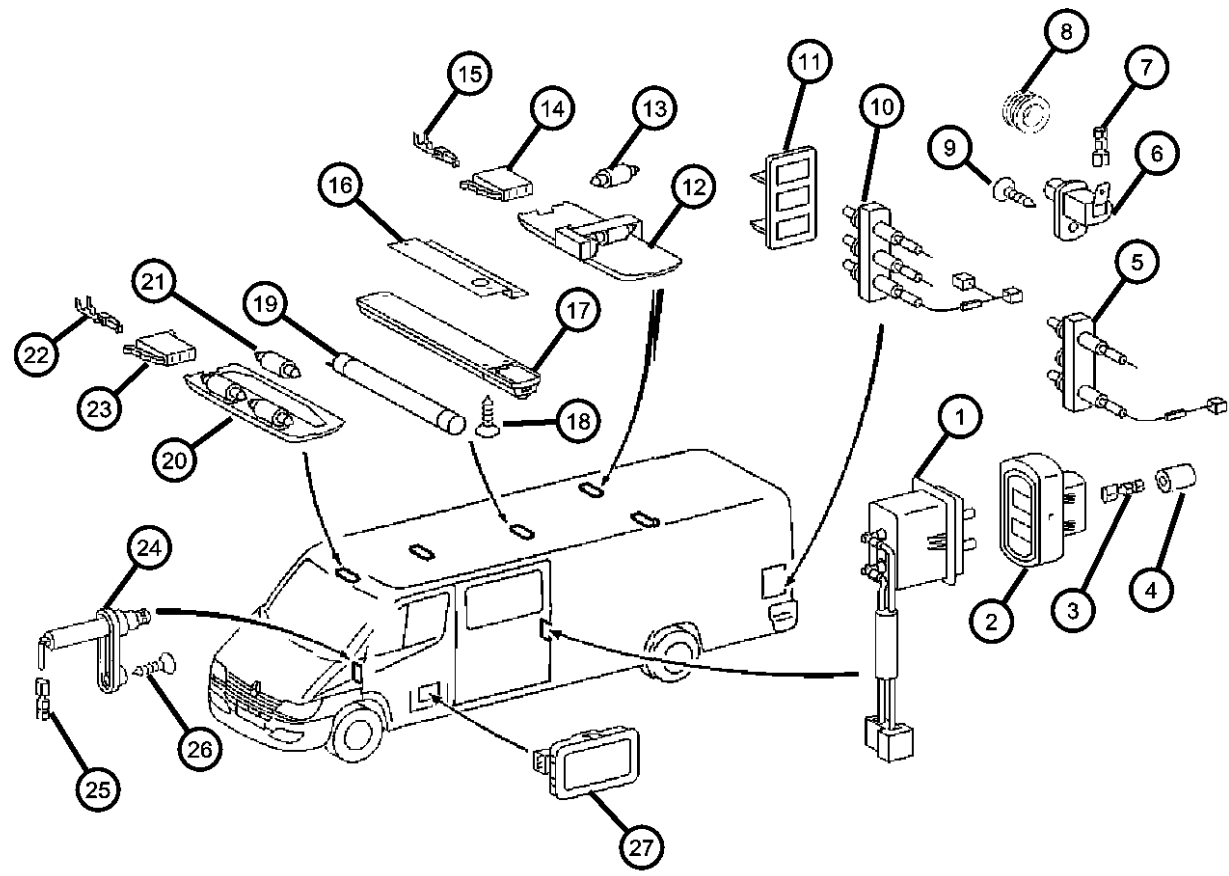
SPRINTER (VA)

SERIES	LINE	BODY	ENGINE	TRANSMISSION
L = LOWLINE	3 = HD DODGE 2WD	12 = Van 140"	EX8 = Engine - 2.7L I5	DGJ = Transmission - 5-Spd Auto, MB
	8 = HD DODGE 4WD	51 = Wagon 118"	Mercedes-Benz TD	
	6 = Lt. Duty DODGE 4WD	52 = Wagon 140"		
	2 = Med. Duty DODGE 2WD	14 = Van 118"		
	7 = Med. Duty DODGE 4WD	15 = Van 140"		
	4 = TRUCK	16 = Van 158"		
		54 = Wagon 118"		
		55 = Wagon 140"		
		56 = Wagon 158"		
		01 = Chassis Forward Control 118"		
		02 = Chassis Forward Control 140"		
		06 = Front Section 158"		
		11 = Van 118"		

AR = use ase required - = Non illustrated part

2005 VA

Lamps Interior Cargo Van
Figure 8-1125



ITEM	PART NUMBER	QTY	LINE	SERIES	BODY	ENGINE	TRANS	TRIM	DESCRIPTION
6	05103678AA	1	2, 6	L	51, 52, 54, 55, 56	EX8	DGJ		SWITCH
		1	3, 7	L	12, 15, 16	EX8	DGJ		
		1	2, 6	L	11, 12, 14, 15, 16	EX8	DGJ		
7	05133359AA	1	2, 6	L	01, 02, 06	EX8	DGJ		TERMINAL, Female
		1	2, 6	L	11, 12, 14, 15, 16	EX8	DGJ		
		1	2, 6	L	51, 52, 54, 55, 56	EX8	DGJ		
		1	3, 7	L	02, 06	EX8	DGJ		
		1	3, 7	L	12, 15, 16	EX8	DGJ		
8	05125931AA	1	2, 6	L	51, 52, 54, 55, 56	EX8	DGJ		GROMMET
		2	3, 7	L	12, 15, 16	EX8	DGJ		
		1	2, 6	L	01, 02, 06	EX8	DGJ		
		1	2, 6	L	11, 12, 14, 15, 16	EX8	DGJ		
9	05126106AA	2	2, 6	L	01, 02, 06	EX8	DGJ		SCREW
		2	2, 6	L	11, 12, 14, 15, 16	EX8	DGJ		
		2	3, 7	L	12, 15, 16	EX8	DGJ		
		2	2, 6	L	51, 52, 54, 55, 56	EX8	DGJ		
10	05104015AA	3	2, 6	L	11, 12, 14, 15, 16	EX8	DGJ		TERMINAL, Heated Rear Window
		3	2, 6	L	51, 52, 54, 55, 56	EX8	DGJ		

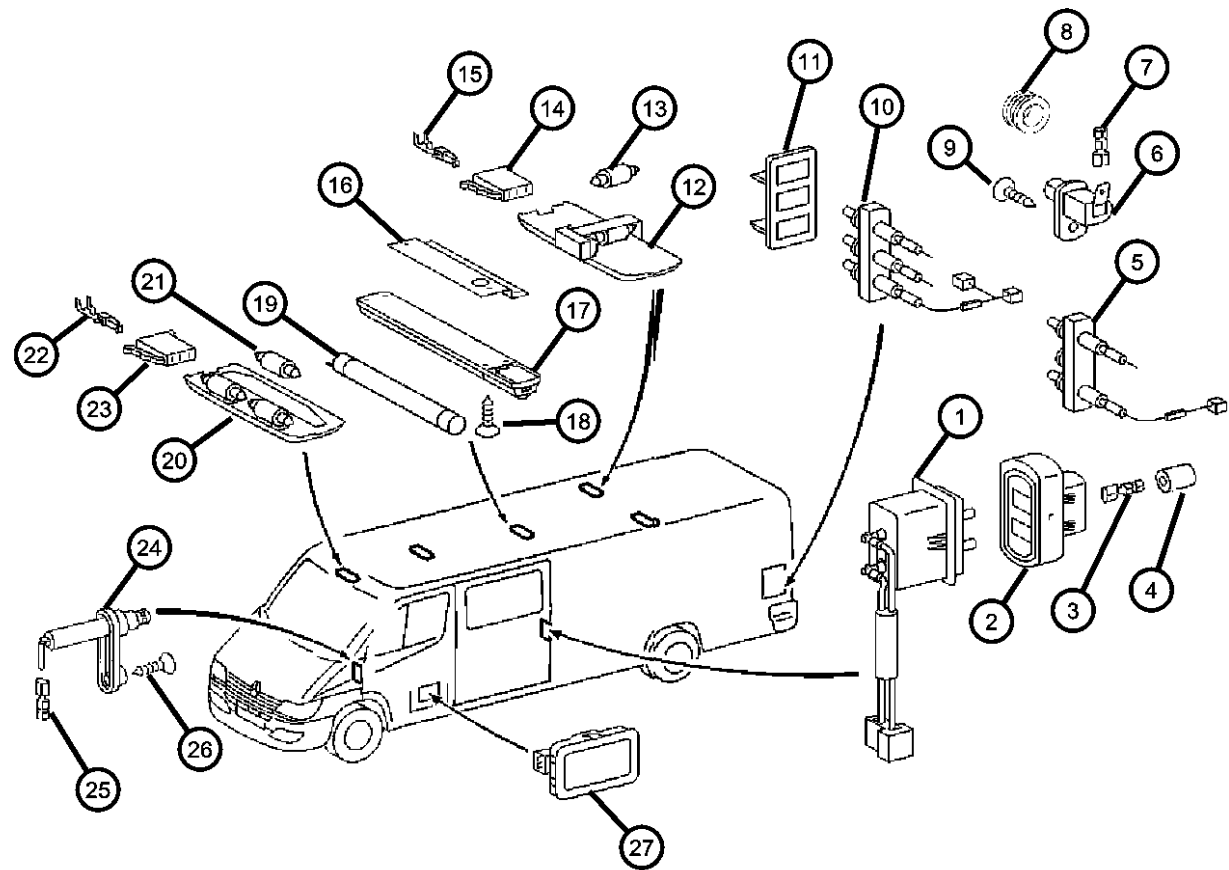
SPRINTER (VA)

SERIES	LINE	BODY	ENGINE	TRANSMISSION
L = LOWLINE	3 = HD DODGE 2WD 8 = HD DODGE 4WD 6 = Lt. Duty DODGE 4WD 2 = Med. Duty DODGE 2WD 7 = Med. Duty DODGE 4WD 4 = TRUCK	12 = Van 140" 51 = Wagon 118" 52 = Wagon 140" 14 = Van 118" 15 = Van 140" 16 = Van 158" 54 = Wagon 118" 55 = Wagon 140" 56 = Wagon 158" 01 = Chassis Forward Control 118" 02 = Chassis Forward Control 140" 06 = Front Section 158" 11 = Van 118"	EX8 = Engine - 2.7L I5 Mercedes-Benz TD	DGJ = Transmission - 5-Spd Auto, MB

AR = use ase required - = Non illustrated part

2005 VA

Lamps Interior Cargo Van
Figure 8-1125



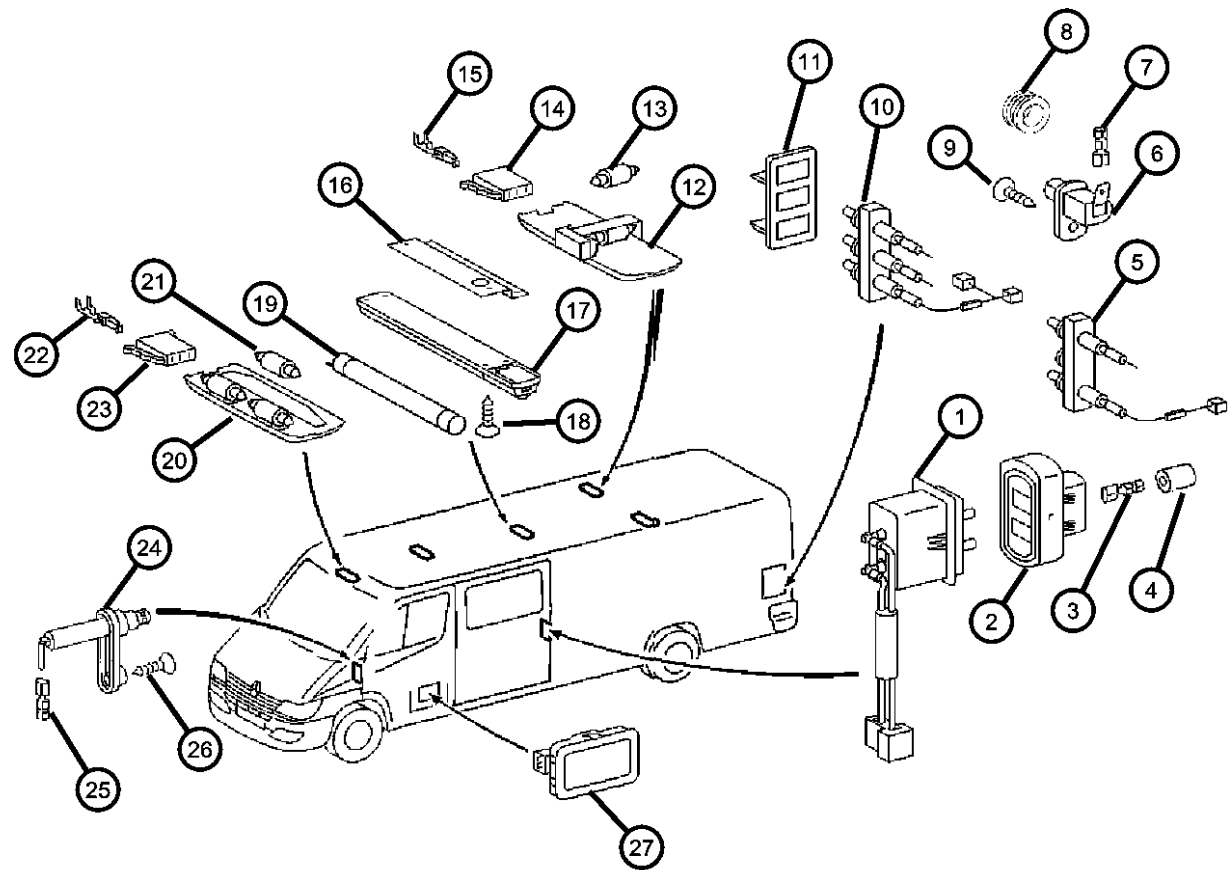
ITEM	PART NUMBER	QTY	LINE	SERIES	BODY	ENGINE	TRANS	TRIM	DESCRIPTION
11		3	3, 7	L	12, 15, 16	EX8	DGJ		CONTACT, Power Door Lock
	05104465AA	3	2, 6	L	51, 52, 54, 55, 56	EX8	DGJ		2 contact
		3	3, 7	L	12, 15, 16	EX8	DGJ		2 contact
		3	2, 6	L	11, 12, 14, 15, 16	EX8	DGJ		2 contact
	05124466AA	1	2, 6	L	11, 12, 14, 15, 16	EX8	DGJ		3 contact
		1	2, 6	L	51, 52, 54, 55, 56	EX8	DGJ		3 contact
12		1	3, 7	L	12, 15, 16	EX8	DGJ		3 contact LAMP, Cargo
	05104459AA	1	2, 6	L	11, 12, 14, 15, 16	EX8	DGJ		
		3	2, 6	L	12, 15	EX8	DGJ		
		1	2, 6	L	01, 02, 06	EX8	DGJ		
		1	2, 6	L	51, 52, 54, 55, 56	EX8	DGJ		
		1	3, 7	L	02, 06	EX8	DGJ		
		1	3, 7	L	12, 15, 16	EX8	DGJ		
13									BULB
	05104645AA	1	2, 6	L	11, 12, 14, 15, 16	EX8	DGJ		
		1	2, 6	L	01, 02, 06	EX8	DGJ		
		1	2, 6	L	51, 52, 54, 55, 56	EX8	DGJ		
		1	3, 7	L	12, 15, 16	EX8	DGJ		
		1	3, 7	L	02, 06	EX8	DGJ		
14									CONNECTOR
	05120545AA	1	6, 2	L	01, 02, 06	EX8	DGJ		
		1	2, 6	L	11, 12, 14, 15, 16	EX8	DGJ		

SPRINTER (VA)

SERIES	LINE	BODY	ENGINE	TRANSMISSION
L = LOWLINE	3 = HD DODGE 2WD	12 = Van 140"	EX8 = Engine - 2.7L I5	DGJ = Transmission - 5-Spd Auto, MB
	8 = HD DODGE 4WD	51 = Wagon 118"	Mercedes-Benz TD	
	6 = Lt. Duty DODGE 4WD	52 = Wagon 140"		
	2 = Med. Duty DODGE 2WD	14 = Van 118"		
	7 = Med. Duty DODGE 4WD	15 = Van 140"		
	4 = TRUCK	16 = Van 158"		
		54 = Wagon 118"		
		55 = Wagon 140"		
		56 = Wagon 158"		
		01 = Chassis Forward Control 118"		
		02 = Chassis Forward Control 140"		
		06 = Front Section 158"		
		11 = Van 118"		

AR = use ase required - = Non illustrated part

Lamps Interior Cargo Van
Figure 8-1125



ITEM	PART NUMBER	QTY	LINE	SERIES	BODY	ENGINE	TRANS	TRIM	DESCRIPTION
		1	2, 6	L	51, 52, 54, 55, 56	EX8	DGJ		
		1	3, 7	L	02, 06	EX8	DGJ		
		1	3, 7	L	12, 15, 16	EX8	DGJ		
15									TERMINAL
	05103881AA	1	2, 6	L	01, 02, 06	EX8	DGJ		
		1	2, 6	L	11, 12, 14, 15, 16	EX8	DGJ		
		1	2, 6	L	51, 52, 54, 55, 56	EX8	DGJ		
		1	3, 7	L	02, 06	EX8	DGJ		
		1	3, 7	L	12, 15, 16	EX8	DGJ		
16									BRACKET
	05121426AA	1	2, 6	L	15	EX8	DGJ		Cargo lamp
		1	3, 7	L	15	EX8	DGJ		Cargo lamp
	05121429AA	2	2, 6	L	11, 12	EX8	DGJ		Cargo lamp
17									LAMP, Cargo
	05103764AA	1	2, 6	L	11, 12, 14, 15, 16	EX8	DGJ		
		1	3, 7	L	12, 15, 16	EX8	DGJ		
18									SCREW
	06104527AA	4	2, 6	L	11, 12, 14, 15, 16	EX8	DGJ		
		4	3, 7	L	12, 15, 16	EX8	DGJ		
19									BULB, 12V 8W
	05133563AA	1	2, 6	L	11, 12, 14, 15, 16	EX8	DGJ		
		99	3, 7	L	12, 15, 16	EX8	DGJ		
20									LAMP, Dome
	05133561AA	1	2, 6	L	01, 02, 06	EX8	DGJ		
		1	2, 6	L	11, 12, 14, 15, 16	EX8	DGJ		

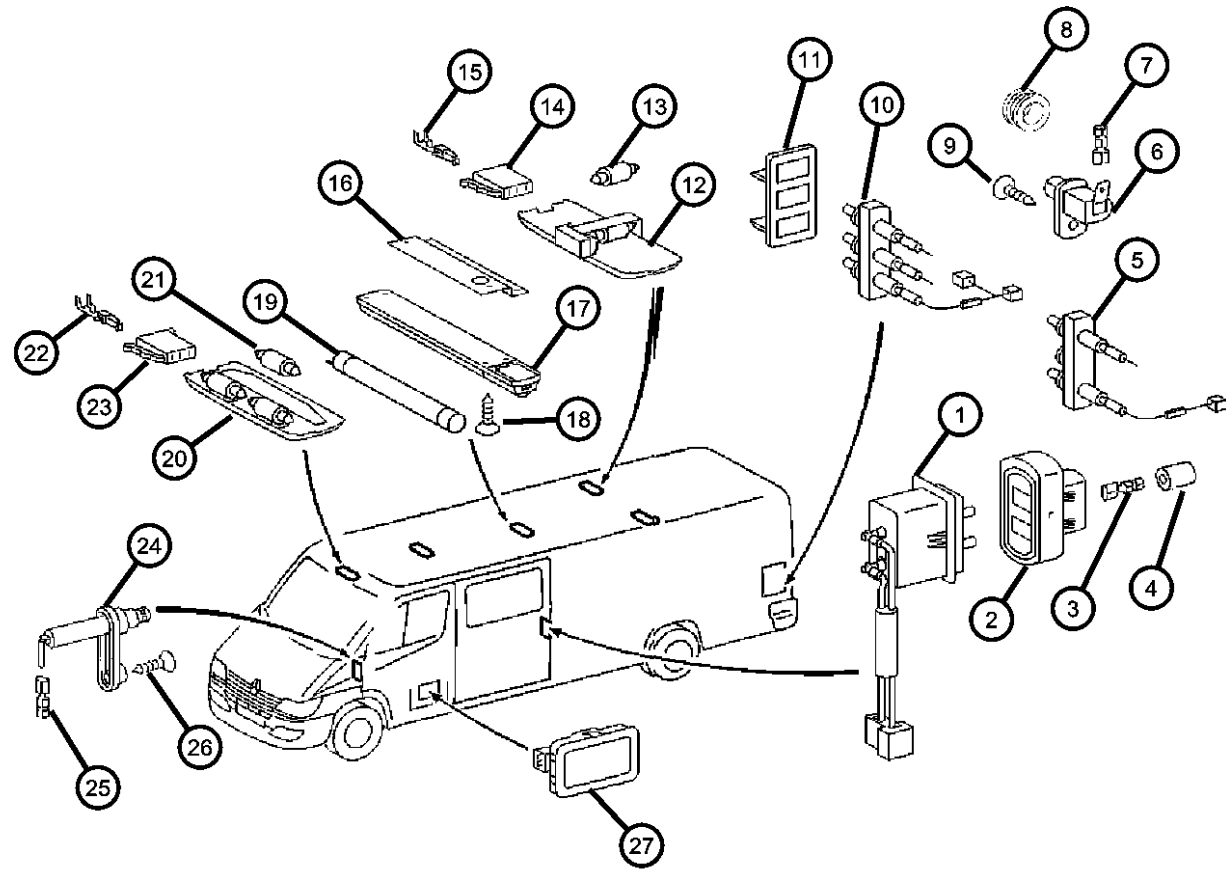
SPRINTER (VA)

SERIES	LINE	BODY	ENGINE	TRANSMISSION
L = LOWLINE	3 = HD DODGE 2WD 8 = HD DODGE 4WD 6 = Lt. Duty DODGE 4WD 2 = Med. Duty DODGE 2WD 7 = Med. Duty DODGE 4WD 4 = TRUCK	12 = Van 140" 51 = Wagon 118" 52 = Wagon 140" 14 = Van 118" 15 = Van 140" 16 = Van 158" 54 = Wagon 118" 55 = Wagon 140" 56 = Wagon 158" 01 = Chassis Forward Control 118" 02 = Chassis Forward Control 140" 06 = Front Section 158" 11 = Van 118"	EX8 = Engine - 2.7L I5 Mercedes-Benz TD	DGJ = Transmission - 5-Spd Auto, MB

AR = use ase required - = Non illustrated part

2005 VA

Lamps Interior Cargo Van
Figure 8-1125



ITEM	PART NUMBER	QTY	LINE	SERIES	BODY	ENGINE	TRANS	TRIM	DESCRIPTION
21	05096967AA	1	2, 6	L	51, 52, 54, 55, 56	EX8	DGJ		BULB, 12V 10W
		1	3, 7	L	02, 06	EX8	DGJ		
		1	3, 7	L	12, 15, 16	EX8	DGJ		
		2	2, 6	L	01, 02, 06	EX8	DGJ		
		2	2, 6	L	11, 12, 14, 15, 16	EX8	DGJ		
		2	2, 6	L	51, 52, 54, 55, 56	EX8	DGJ		
22	05103882AA	2	3, 7	L	02, 06	EX8	DGJ		TERMINAL
		2	3, 7	L	12, 15, 16	EX8	DGJ		
		1	2, 6	L	01, 02, 06	EX8	DGJ		
		1	2, 6	L	11, 12, 14, 15, 16	EX8	DGJ		
		1	2, 6	L	51, 52, 54, 55, 56	EX8	DGJ		
		1	3, 7	L	02, 06	EX8	DGJ		
23	05120545AA	1	3, 7	L	12, 15, 16	EX8	DGJ		CONNECTOR
		1	2, 6	L	01, 02, 06	EX8	DGJ		
		1	2, 6	L	11, 12, 14, 15, 16	EX8	DGJ		
		1	2, 6	L	51, 52, 54, 55, 56	EX8	DGJ		
		1	3, 7	L	02, 06	EX8	DGJ		
		1	3, 7	L	12, 15, 16	EX8	DGJ		
24	05103861AA	2	2, 6	L	01, 02, 06	EX8	DGJ		SWITCH, Door Ajar
		2	2, 6	L	11, 12, 14, 15, 16	EX8	DGJ		

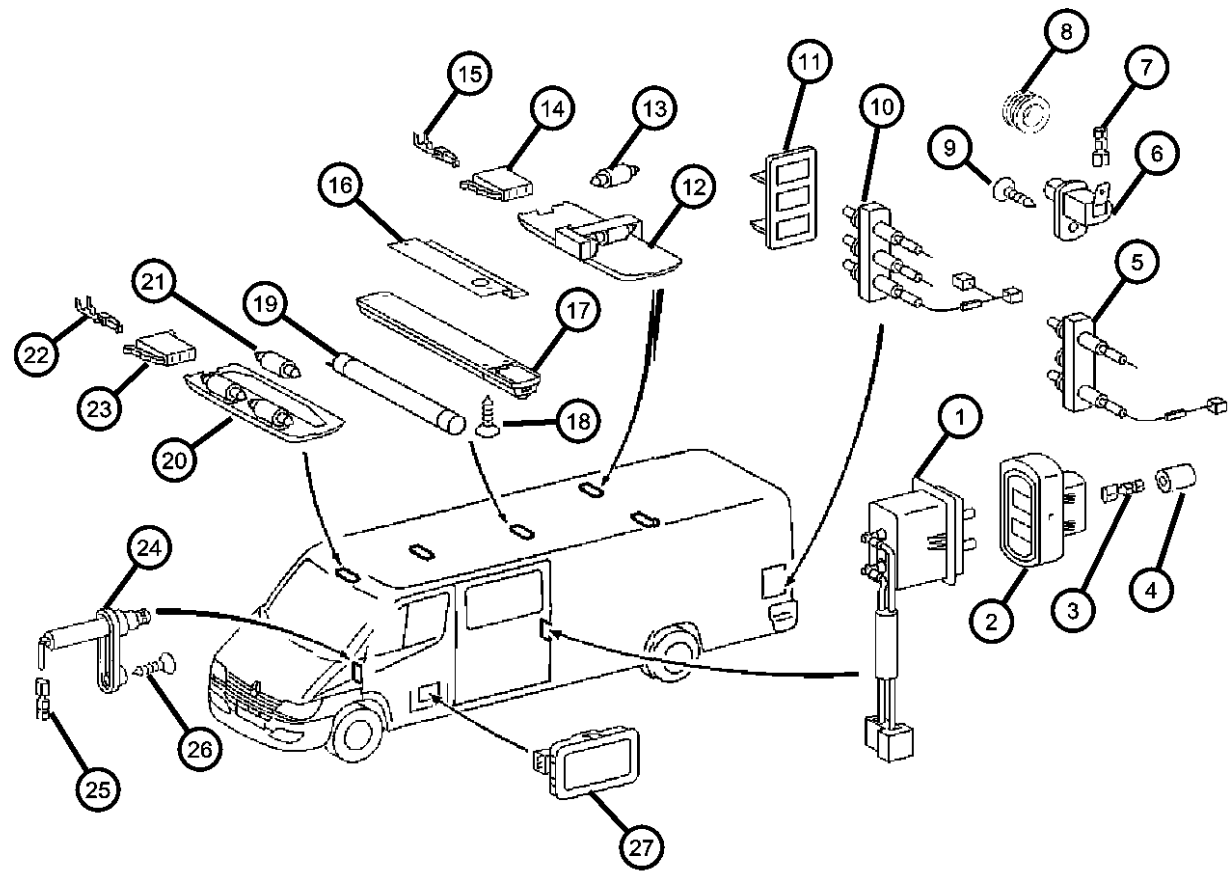
SPRINTER (VA)

SERIES	LINE	BODY	ENGINE	TRANSMISSION
L = LOWLINE	3 = HD DODGE 2WD 8 = HD DODGE 4WD 6 = Lt. Duty DODGE 4WD 2 = Med. Duty DODGE 2WD 7 = Med. Duty DODGE 4WD 4 = TRUCK	12 = Van 140" 51 = Wagon 118" 52 = Wagon 140" 14 = Van 118" 15 = Van 140" 16 = Van 158" 54 = Wagon 118" 55 = Wagon 140" 56 = Wagon 158" 01 = Chassis Forward Control 118" 02 = Chassis Forward Control 140" 06 = Front Section 158" 11 = Van 118"	EX8 = Engine - 2.7L I5 Mercedes-Benz TD	DGJ = Transmission - 5-Spd Auto, MB

AR = use ase required - = Non illustrated part

2005 VA

Lamps Interior Cargo Van
Figure 8-1125



ITEM	PART NUMBER	QTY	LINE	SERIES	BODY	ENGINE	TRANS	TRIM	DESCRIPTION
25	05133359AA	2	2, 6	L	51, 52, 54, 55, 56	EX8	DGJ		TERMINAL, Female
		2	3, 7	L	12, 15, 16	EX8	DGJ		
		1	2, 6	L	01, 02, 06	EX8	DGJ		
		1	2, 6	L	11, 12, 14, 15, 16	EX8	DGJ		
		1	2, 6	L	51, 52, 54, 55, 56	EX8	DGJ		
		1	3, 7	L	12, 15, 16	EX8	DGJ		
26	05126106AA	1	3, 7	L	02, 06	EX8	DGJ		SCREW
		2	2, 6	L	01, 02, 06	EX8	DGJ		
		2	2, 6	L	11, 12, 14, 15, 16	EX8	DGJ		
		2	2, 6	L	51, 52, 54, 55, 56	EX8	DGJ		
		2	3, 7	L	12, 15, 16	EX8	DGJ		
		2	3, 7	L	02, 06	EX8	DGJ		
27	05103765AA	2	2, 6	L	01, 02, 06	EX8	DGJ		LAMP, Courtesy
		2	2, 6	L	11, 12, 14, 15, 16	EX8	DGJ		
		2	2, 6	L	51, 52, 54, 55, 56	EX8	DGJ		
		2	3, 7	L	12, 15, 16	EX8	DGJ		
		2	3, 7	L	02, 06	EX8	DGJ		
		2	3, 7	L	02, 06	EX8	DGJ		

SPRINTER (VA)

SERIES	LINE	BODY	ENGINE	TRANSMISSION
L = LOWLINE	3 = HD DODGE 2WD 8 = HD DODGE 4WD 6 = Lt. Duty DODGE 4WD 2 = Med. Duty DODGE 2WD 7 = Med. Duty DODGE 4WD 4 = TRUCK	12 = Van 140" 51 = Wagon 118" 52 = Wagon 140" 14 = Van 118" 15 = Van 140" 16 = Van 158" 54 = Wagon 118" 55 = Wagon 140" 56 = Wagon 158" 01 = Chassis Forward Control 118" 02 = Chassis Forward Control 140" 06 = Front Section 158" 11 = Van 118"	EX8 = Engine - 2.7L I5 Mercedes-Benz TD	DGJ = Transmission - 5-Spd Auto, MB

AR = use ase required - = Non illustrated part

Lamp - Bulbs
Figure 8-1130

BULB SPECIFICATIONS

LAMP	BULB
Backup	P21W - 12V 21W (1)
Brake & Rear Park	P21/5W - 12V 21/5W (1)
Center High Mounted Stop	P21W - 12V 21W (1)
Clearance	W3W - 12V 3W
Front Fog	H1 - 12V 55W (3)
Front Position	W5W - 12V 5W (6)
Front Turn, Park & Side Marker	3457 NA - 12V 28/7.5W Amber Glass (2) (5)
Low Beam Headlamp	H7 - 12V 55W (4)
High Beam Headlamp	H1 - 12V 55W (3)
License Plate	C5W - 12V 5W (8)
Rear Side Marker	R5W - 12V 5W (9)
Rear Turn	P21W - 12V 21W (10)
Side Repeater	W5W - 12V 3W (11)

LAMP	BULB
Cargo/Dome Lamp	K - 12V 18W (7)
Dome/Reading Lamp	K - 12V 10W (12)
Dome Lamp w/Intrusion Sensor	K - 12V 6W
Entry/Exit Lamp	W5W - 12V 5W (13)

ITEM	PART NUMBER	QTY	LINE	SERIES	BODY	ENGINE	TRANS	TRIM	DESCRIPTION
1	05104646AA	1	2, 6	L	11, 12, 14, 15, 16	EX8	DGJ		BULB
		6	3, 7	L	02, 06	EX8	DGJ		
		4	3, 7	L	12, 15, 16	EX8	DGJ		
		1	2, 6	L	51, 52, 54, 55, 56	EX8	DGJ		
2	05104608AA	2	2, 6	L	01, 02, 06	EX8	DGJ		BULB, 12V 5W
		2	2, 6	L	11, 12, 14, 15, 16	EX8	DGJ		
		2	2, 6	L	51, 52, 54, 55, 56	EX8	DGJ		
		2	3, 7	L	02, 06	EX8	DGJ		
		2	3, 7	L	12, 15, 16	EX8	DGJ		
3	05104682AA	99	2, 6	L	01, 02, 06	EX8	DGJ		BULB, Fog Lamp, 12V 55W
		99	2, 6	L	11, 12, 14, 15, 16	EX8	DGJ		
		99	2, 6	L	51, 52, 54, 55, 56	EX8	DGJ		
		2	3, 7	L	02, 06	EX8	DGJ		
		2	3, 7	L	12, 15, 16	EX8	DGJ		
4	05104684AA	2	3, 7	L	02, 06	EX8	DGJ		BULB, Headlamp, H-7
		2	2, 6	L	01, 02, 06	EX8	DGJ		
		2	2, 6	L	11, 12, 14, 15, 16	EX8	DGJ		
		2	2, 6	L	51, 52, 54, 55, 56	EX8	DGJ		
		2	3, 7	L	12, 15, 16	EX8	DGJ		
5	05104647AA	2	2, 6	L	51, 52, 54, 55, 56	EX8	DGJ		BULB, TAIL LAMP

SPRINTER (VA)

SERIES

L = LOWLINE

LINE

3 = HD DODGE 2WD
8 = HD DODGE 4WD
6 = Lt. Duty DODGE 4WD
2 = Med. Duty DODGE 2WD
7 = Med. Duty DODGE 4WD
4 = TRUCK

BODY

12 = Van 140"
51 = Wagon 118"
52 = Wagon 140"
14 = Van 118"
15 = Van 140"
16 = Van 158"
54 = Wagon 118"
55 = Wagon 140"
56 = Wagon 158"
01 = Chassis Forward Control 118"
02 = Chassis Forward Control 140"
06 = Front Section 158"
11 = Van 118"

ENGINE

EX8 = Engine - 2.7L I5 Mercedes-Benz TD

TRANSMISSION

DGJ = Transmission - 5-Spd Auto, MB

Lamp - Bulbs
Figure 8-1130

BULB SPECIFICATIONS

ITEM	PART NUMBER	QTY	LINE	SERIES	BODY	ENGINE	TRANS	TRIM	DESCRIPTION
		2	3, 7	L	12, 15, 16	EX8	DGJ		
		2	2, 6	L	11, 12, 14, 15, 16	EX8	DGJ		
6	05104648AA	99	3, 7	L	12, 15, 16	EX8	DGJ		BULB, 12V 5W
7	05104645AA	1	2, 6	L	01, 02, 06	EX8	DGJ		BULB
		3	2, 6	L	12, 15	EX8	DGJ		
		1	2, 6	L	11, 12, 14, 15, 16	EX8	DGJ		
		1	2, 6	L	16	EX8	DGJ		
		3	2, 6	L	52, 55	EX8	DGJ		
		1	2, 6	L	52, 55	EX8	DGJ		
		1	2, 6	L	56	EX8	DGJ		
		1	3, 7	L	02, 06	EX8	DGJ		
8		1	7, 3	L	12, 15, 16	EX8	DGJ		BULB
	05104649AA	6	2, 6	L	01, 02, 06	EX8	DGJ		
		2	2, 6	L	51, 52, 54, 55, 56	EX8	DGJ		
		2	2, 6	L	11, 12, 14, 15, 16	EX8	DGJ		
		6	3, 7	L	02, 06	EX8	DGJ		
		2	3, 7	L	12, 15, 16	EX8	DGJ		
9		2	2, 6	L	01, 02, 06	EX8	DGJ		BULB, 12V 5W
	05104608AA	2	2, 6	L	11, 12, 14, 15, 16	EX8	DGJ		
		2	2, 6	L	51, 52, 54, 55, 56	EX8	DGJ		
		2	3, 7	L	02, 06	EX8	DGJ		
		2	3, 7	L	12, 15, 16	EX8	DGJ		

LAMP	BULB
Backup	P21W - 12V 21W (1)
Brake & Rear Park	P21/5W - 12V 21/5W (1)
Center High Mounted Stop	P21W - 12V 21W (1)
Clearance	W3W - 12V 3W
Front Fog	H1 - 12V 55W (3)
Front Position	W5W - 12V 5W (6)
Front Turn, Park & Side Marker	3457 NA - 12V 28/7.5W Amber Glass (2) (5)
Low Beam Headlamp	H7 - 12V 55W (4)
High Beam Headlamp	H1 - 12V 55W (3)
License Plate	C5W - 12V 5W (8)
Rear Side Marker	R5W - 12V 5W (9)
Rear Turn	P21W - 12V 21W (10)
Side Repeater	W5W - 12V 3W (11)

LAMP	BULB
Cargo/Dome Lamp	K - 12V 18W (7)
Dome/Reading Lamp	K - 12V 10W (12)
Dome Lamp w/Intrusion Sensor	K - 12V 6W
Entry/Exit Lamp	W5W - 12V 5W (13)

SPRINTER (VA)

SERIES

L = LOWLINE

LINE

3 = HD DODGE 2WD
8 = HD DODGE 4WD
6 = Lt. Duty DODGE 4WD
2 = Med. Duty DODGE 2WD
7 = Med. Duty DODGE 4WD
4 = TRUCK

BODY

12 = Van 140"
51 = Wagon 118"
52 = Wagon 140"
14 = Van 118"
15 = Van 140"
16 = Van 158"
54 = Wagon 118"
55 = Wagon 140"
56 = Wagon 158"
01 = Chassis Forward Control 118"
02 = Chassis Forward Control 140"
06 = Front Section 158"
11 = Van 118"

ENGINE

EX8 = Engine - 2.7L I5 Mercedes-Benz TD

TRANSMISSION

DGJ = Transmission - 5-Spd Auto, MB

Lamp - Bulbs
Figure 8-1130

BULB SPECIFICATIONS

LAMP	BULB
Backup	P21W - 12V 21W (1)
Brake & Rear Park	P21/5W - 12V 21/5W (1)
Center High Mounted Stop	P21W - 12V 21W (1)
Clearance	W3W - 12V 3W
Front Fog	H1 - 12V 55W (3)
Front Position	W5W - 12V 5W (6)
Front Turn, Park & Side Marker	3457 NA - 12V 28/7.5W Amber Glass (2) (5)
Low Beam Headlamp	H7 - 12V 55W (4)
High Beam Headlamp	H1 - 12V 55W (3)
License Plate	C5W - 12V 5W (8)
Rear Side Marker	R5W - 12V 5W (9)
Rear Turn	P21W - 12V 21W (10)
Side Repeater	W5W - 12V 3W (11)

ITEM	PART NUMBER	QTY	LINE	SERIES	BODY	ENGINE	TRANS	TRIM	DESCRIPTION
10	05104646AA	6	2, 6	L	01, 02, 06	EX8	DGJ		BULB
		4	2, 6	L	11, 12, 14, 15, 16	EX8	DGJ		
		4	2, 6	L	51, 52, 54, 55, 56	EX8	DGJ		
		6	3, 7	L	02, 06	EX8	DGJ		
		1	3, 7	L	12, 15, 16	EX8	DGJ		
11	05126194AA	2	2, 6	L	01, 02, 06	EX8	DGJ		BULB, 12V 5W
		2	2, 6	L	11, 12, 14, 15, 16	EX8	DGJ		
		2	2, 6	L	51, 52, 54, 55, 56	EX8	DGJ		
		2	3, 7	L	02, 06	EX8	DGJ		
		2	3, 7	L	12, 15, 16	EX8	DGJ		
12	05096967AA	2	2, 6	L	51, 52, 54, 55, 56	EX8	DGJ		BULB, 12V 10W
		2	3, 7	L	02, 06	EX8	DGJ		
		2	3, 7	L	12, 15, 16	EX8	DGJ		
		2	2, 6	L	01, 02, 06	EX8	DGJ		
		2	2, 6	L	11, 12, 14, 15, 16	EX8	DGJ		
13	05133563AA	1	2, 6	L	11, 12, 14, 15, 16	EX8	DGJ		BULB, 12V 8W
		99	3, 7	L	12, 15, 16	EX8	DGJ		
-14	05175563AB	1		L					BULB KIT, CONTENTS 1 PC EACH 64210 LONGLIFE H7 L000000H7 64150 LONGLIFE H1 05104682AA 7507 PY21W 05104662AA 2825 W5W 05104608AA

SPRINTER (VA)

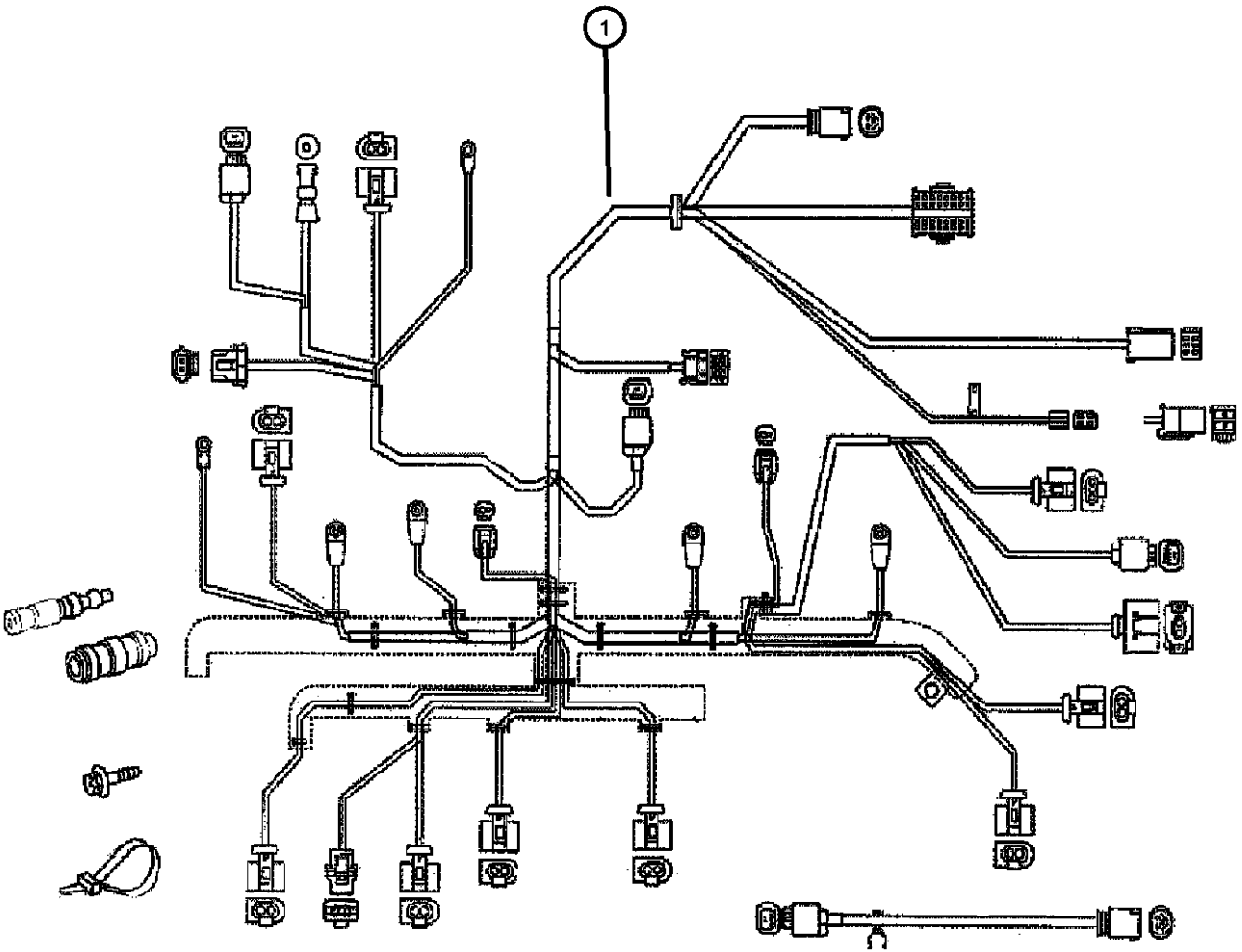
SERIES	LINE	BODY	ENGINE	TRANSMISSION
L = LOWLINE	3 = HD DODGE 2WD 8 = HD DODGE 4WD 6 = Lt. Duty DODGE 4WD 2 = Med. Duty DODGE 2WD 7 = Med. Duty DODGE 4WD 4 = TRUCK	12 = Van 140" 51 = Wagon 118" 52 = Wagon 140" 14 = Van 118" 15 = Van 140" 16 = Van 158" 54 = Wagon 118" 55 = Wagon 140" 56 = Wagon 158" 01 = Chassis Forward Control 118" 02 = Chassis Forward Control 140" 06 = Front Section 158" 11 = Van 118"	EX8 = Engine - 2.7L I5 Mercedes-Benz TD	DGJ = Transmission - 5-Spd Auto, MB

LAMP	BULB
Cargo/Dome Lamp	K - 12V 18W (7)
Dome/Reading Lamp	K - 12V 10W (12)
Dome Lamp w/Intrusion Sensor	K - 12V 6W
Entry/Exit Lamp	W5W - 12V 5W (13)

AR = use ase required - = Non illustrated part

Wiring - Engine
Figure 8-1205

ITEM	PART NUMBER	QTY	LINE	SERIES	BODY	ENGINE	TRANS	TRIM	DESCRIPTION
1	05120167AA	1	2, 3, 6, 7	L		EX8	DGJ		WIRING, Engine
-2	05103881AA	99	2, 6	L	01, 02, 06	EX8	DGJ		TERMINAL
		99	2, 6	L	11, 12, 14, 15, 16	EX8	DGJ		
		99	2, 6	L	51, 52, 54, 55, 56	EX8	DGJ		
		99	3, 7	L	02, 06	EX8	DGJ		
		99	3, 7	L	12, 15, 16	EX8	DGJ		
-3	05133396AA	1	2, 6	L	01, 02, 06	EX8	DGJ		CONNECTOR, Wiring
		1	2, 6	L	11, 12, 14, 15, 16	EX8	DGJ		
		1	2, 6	L	51, 52, 54, 55, 56	EX8	DGJ		
		1	3, 7	L	02, 06	EX8	DGJ		
		1	3, 7	L	12, 15, 16	EX8	DGJ		
-4	05103753AA	99	2, 6	L	01, 02, 06	EX8	DGJ		CONNECTOR
		99	2, 6	L	11, 12, 14, 15, 16	EX8	DGJ		
		99	2, 6	L	51, 52, 54, 55, 56	EX8	DGJ		
		99	3, 7	L	02, 06	EX8	DGJ		
		99	3, 7	L	12, 15, 16	EX8	DGJ		
-5	05114451AA	99	2, 6	L	01, 02, 06	EX8	DGJ		TERMINAL, Female
		99	2, 6	L	11, 12, 14, 15, 16	EX8	DGJ		
		99	2, 6	L	51, 52, 54, 55, 56	EX8	DGJ		
		99	3, 7	L	02, 06	EX8	DGJ		



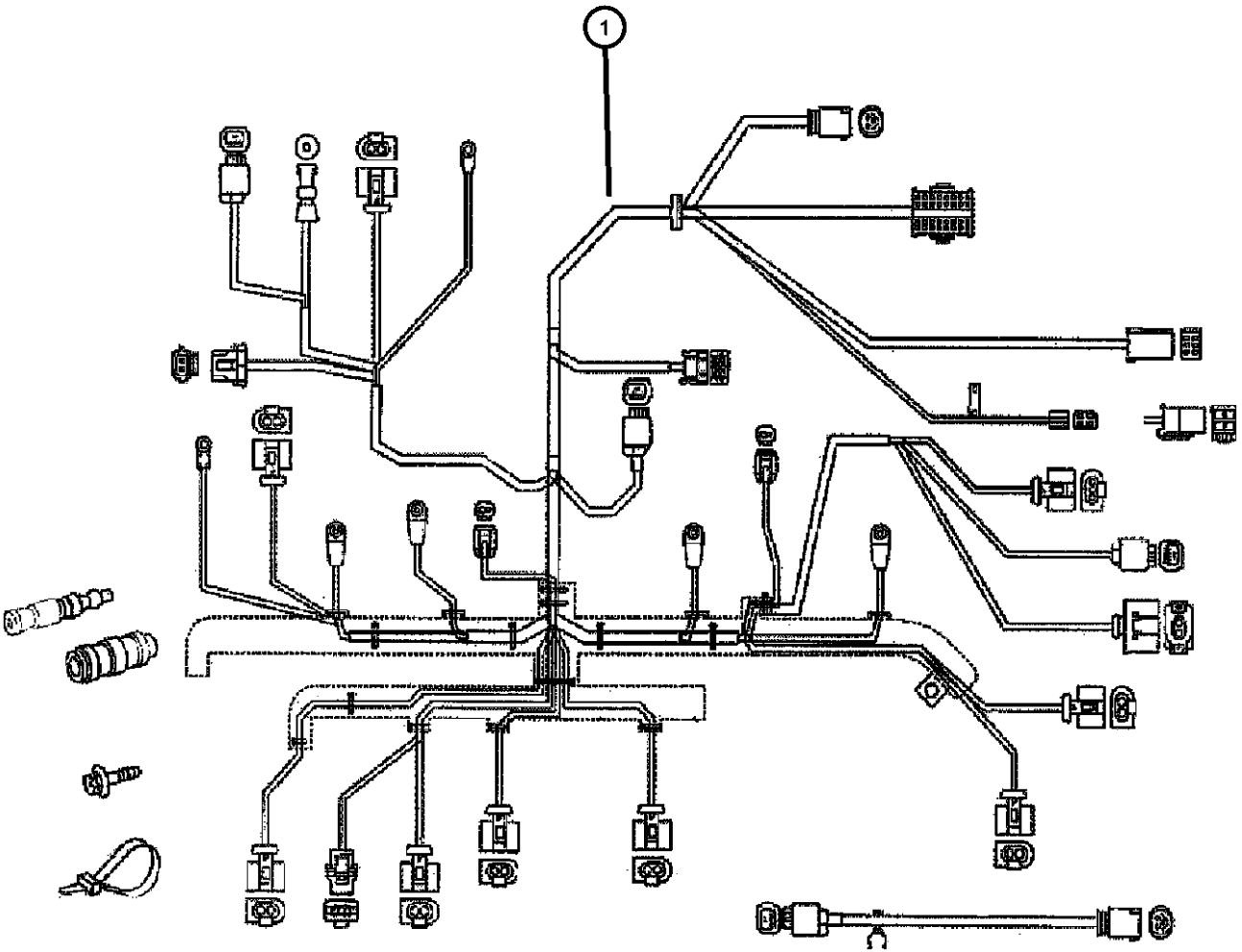
SPRINTER (VA)

SERIES	LINE	BODY	ENGINE	TRANSMISSION
L = LOWLINE	3 = HD DODGE 2WD 8 = HD DODGE 4WD 6 = Lt. Duty DODGE 4WD 2 = Med. Duty DODGE 2WD 7 = Med. Duty DODGE 4WD 4 = TRUCK	12 = Van 140" 51 = Wagon 118" 52 = Wagon 140" 14 = Van 118" 15 = Van 140" 16 = Van 158" 54 = Wagon 118" 55 = Wagon 140" 56 = Wagon 158" 01 = Chassis Forward Control 118" 02 = Chassis Forward Control 140" 06 = Front Section 158" 11 = Van 118"	EX8 = Engine - 2.7L I5 Mercedes-Benz TD	DGJ = Transmission - 5-Spd Auto, MB

AR = use ase required - = Non illustrated part

Wiring - Engine
Figure 8-1205

ITEM	PART NUMBER	QTY	LINE	SERIES	BODY	ENGINE	TRANS	TRIM	DESCRIPTION
		99	3, 7	L	12, 15, 16	EX8	DGJ		
-6	05135801AA	99	2, 3, 6, 7	L		EX8	DGJ		WIRING REPAIR KIT, Diesel Engine, 2 MM diamter repair



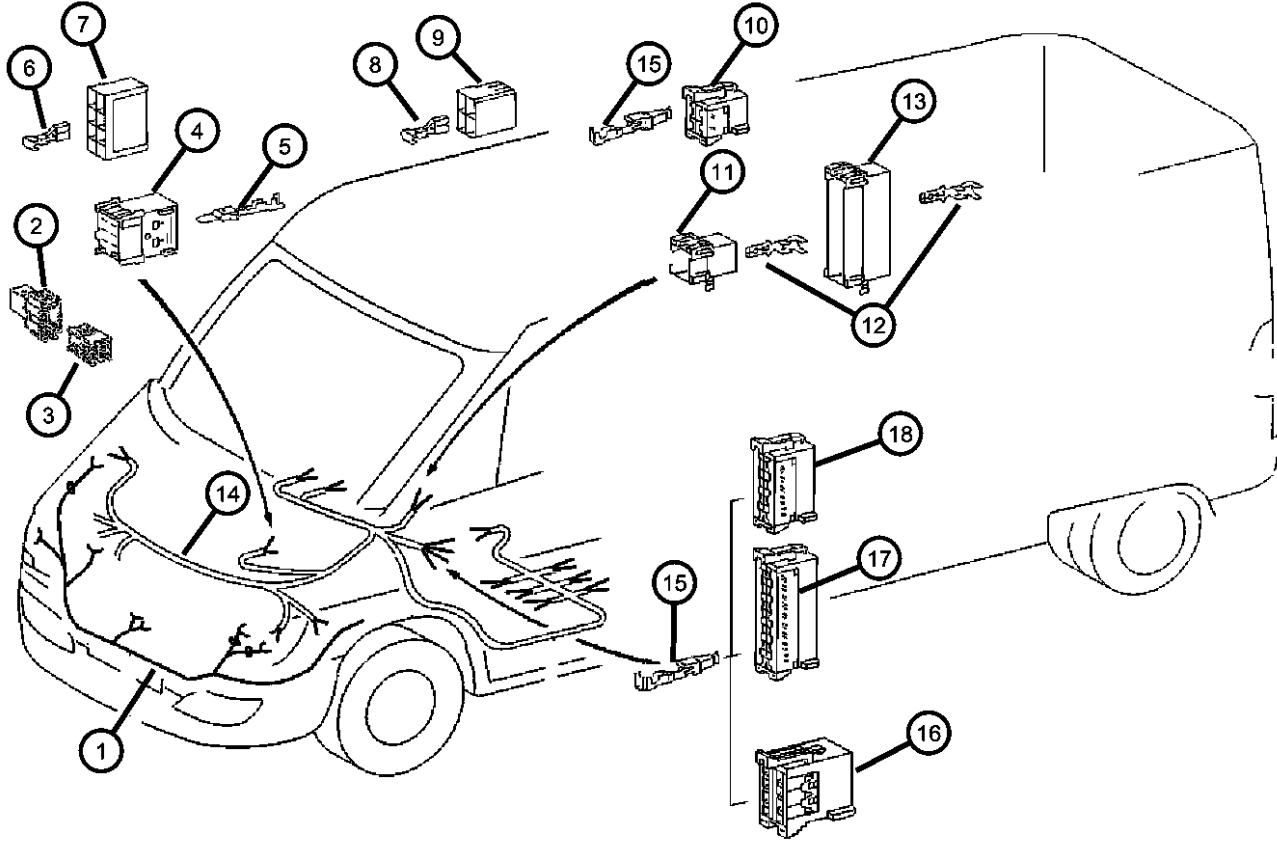
SPRINTER (VA)

SERIES	LINE	BODY	ENGINE	TRANSMISSION
L = LOWLINE	3 = HD DODGE 2WD 8 = HD DODGE 4WD 6 = Lt. Duty DODGE 4WD 2 = Med. Duty DODGE 2WD 7 = Med. Duty DODGE 4WD 4 = TRUCK	12 = Van 140" 51 = Wagon 118" 52 = Wagon 140" 14 = Van 118" 15 = Van 140" 16 = Van 158" 54 = Wagon 118" 55 = Wagon 140" 56 = Wagon 158" 01 = Chassis Forward Control 118" 02 = Chassis Forward Control 140" 06 = Front Section 158" 11 = Van 118"	EX8 = Engine - 2.7L I5 Mercedes-Benz TD	DGJ = Transmission - 5-Spd Auto, MB

AR = use ase required - = Non illustrated part

2005 VA

Wiring - Headlamp & Dash
Figure 8-1305



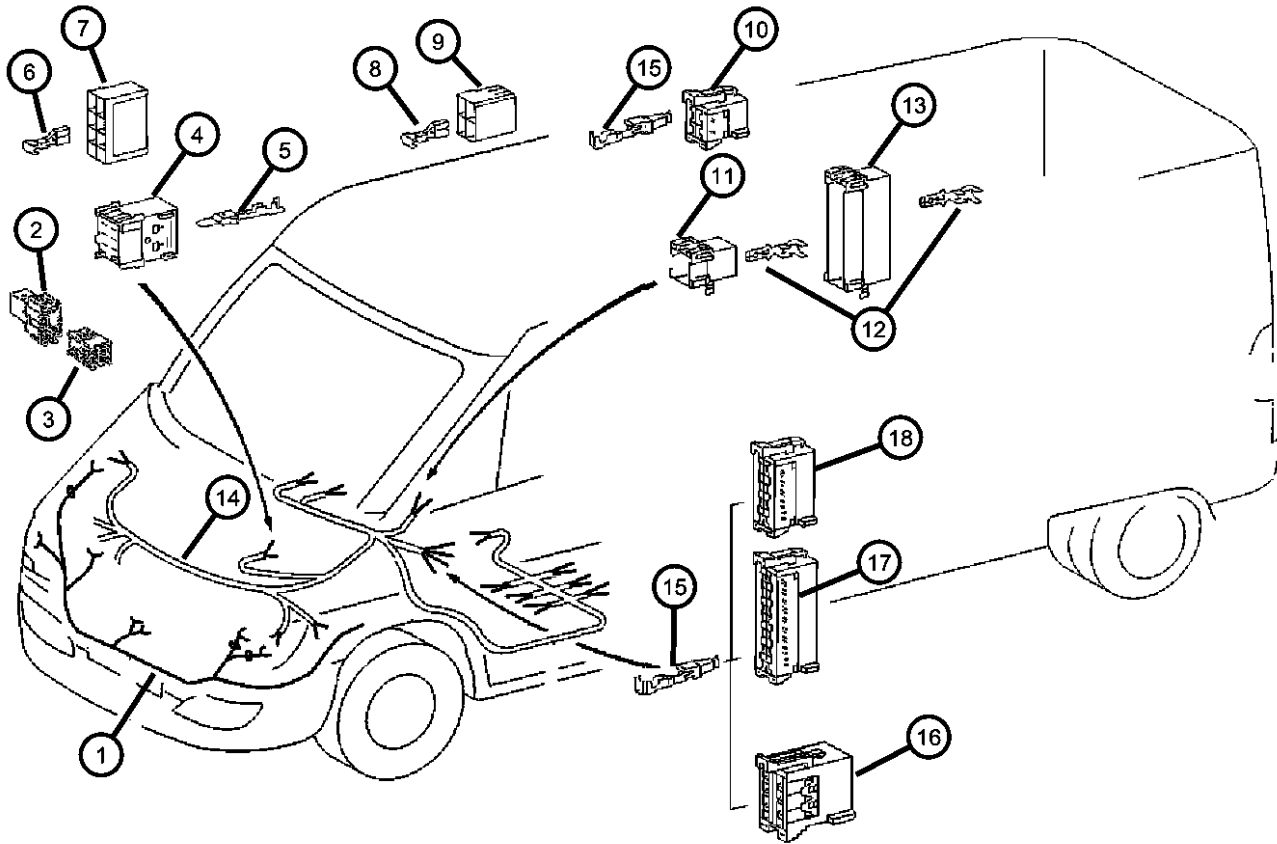
ITEM	PART NUMBER	QTY	LINE	SERIES	BODY	ENGINE	TRANS	TRIM	DESCRIPTION
1	05133398AB	1	2, 6	L	01, 02, 06	EX8	DGJ		WIRING, Headlamp
		1	2, 6	L	11, 12, 14, 15, 16	EX8	DGJ		
		1	2, 6	L	51, 52, 54, 55, 56	EX8	DGJ		
		1	3, 7	L	02, 06	EX8	DGJ		
		1	3, 7	L	12, 15, 16	EX8	DGJ		
2	05133397AA	1	2, 6	L	01, 02, 06	EX8	DGJ		INSULATOR, 4 Way Male
		1	2, 6	L	11, 12, 14, 15, 16	EX8	DGJ		
		1	2, 6	L	51, 52, 54, 55, 56	EX8	DGJ		
		1	3, 7	L	02, 06	EX8	DGJ		
		1	3, 7	L	12, 15, 16	EX8	DGJ		
3	05133396AA	1	2, 6	L	01, 02, 06	EX8	DGJ		CONNECTOR, Wiring
		1	2, 6	L	11, 12, 14, 15, 16	EX8	DGJ		
		1	2, 6	L	51, 52, 54, 55, 56	EX8	DGJ		
		1	3, 7	L	02, 06	EX8	DGJ		
		1	3, 7	L	12, 15, 16	EX8	DGJ		
4	05133327AA	1	2, 6	L	01, 02, 06	EX8	DGJ		INSULATOR, 6 Way Male
		1	2, 6	L	11, 12, 14, 15, 16	EX8	DGJ		
		1	2, 6	L	51, 52, 54, 55, 56	EX8	DGJ		
		1	3, 7	L	02, 06	EX8	DGJ		
		1	3, 7	L	12, 15, 16	EX8	DGJ		
5									TERMINAL, Male

SPRINTER (VA)

SERIES	LINE	BODY	ENGINE	TRANSMISSION
L = LOWLINE	3 = HD DODGE 2WD 8 = HD DODGE 4WD 6 = Lt. Duty DODGE 4WD 2 = Med. Duty DODGE 2WD 7 = Med. Duty DODGE 4WD 4 = TRUCK	12 = Van 140" 51 = Wagon 118" 52 = Wagon 140" 14 = Van 118" 15 = Van 140" 16 = Van 158" 54 = Wagon 118" 55 = Wagon 140" 56 = Wagon 158" 01 = Chassis Forward Control 118" 02 = Chassis Forward Control 140" 06 = Front Section 158" 11 = Van 118"	EX8 = Engine - 2.7L I5 Mercedes-Benz TD	DGJ = Transmission - 5-Spd Auto, MB

AR = use ase required - = Non illustrated part

Wiring - Headlamp & Dash
Figure 8-1305



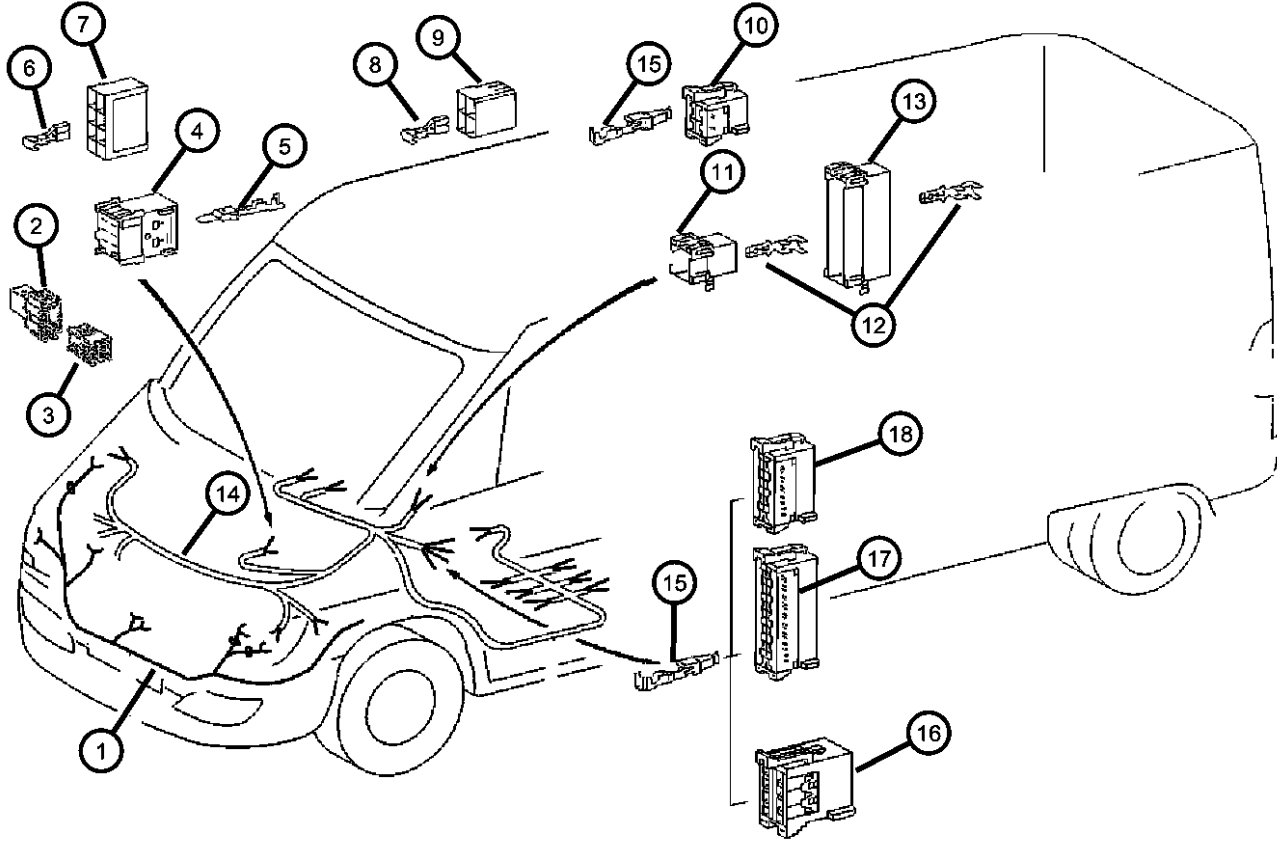
ITEM	PART NUMBER	QTY	LINE	SERIES	BODY	ENGINE	TRANS	TRIM	DESCRIPTION
	05103909AA	1	2, 6	L	01, 02, 06	EX8	DGJ		
		1	2, 6	L	11, 12, 14, 15, 16	EX8	DGJ		
		1	2, 6	L	51, 52, 54, 55, 56	EX8	DGJ		
		1	3, 7	L	02, 06	EX8	DGJ		
		1	3, 7	L	12, 15, 16	EX8	DGJ		
6									TERMINAL, Female
	05133359AA	99	2, 6	L	01, 02, 06	EX8	DGJ		
		99	2, 6	L	11, 12, 14, 15, 16	EX8	DGJ		
		99	2, 6	L	51, 52, 54, 55, 56	EX8	DGJ		
		99	3, 7	L	02, 06	EX8	DGJ		
		99	3, 7	L	12, 15, 16	EX8	DGJ		
7									CONNECTOR
	05103752AA	1	2, 6	L	01, 02, 06	EX8	DGJ		
		1	2, 6	L	11, 12, 14, 15, 16	EX8	DGJ		
		1	2, 6	L	51, 52, 54, 55, 56	EX8	DGJ		
		1	3, 7	L	02, 06	EX8	DGJ		
		1	3, 7	L	12, 15, 16	EX8	DGJ		
8									TERMINAL, Female
	05133360AA	99	2, 6	L	01, 02, 06	EX8	DGJ		
		99	2, 6	L	11, 12, 14, 15, 16	EX8	DGJ		
		99	2, 6	L	51, 52, 54, 55, 56	EX8	DGJ		
		99	3, 7	L	02, 06	EX8	DGJ		
		99	3, 7	L	12, 15, 16	EX8	DGJ		
9									CONNECTOR

SPRINTER (VA)

SERIES	LINE	BODY	ENGINE	TRANSMISSION
L = LOWLINE	3 = HD DODGE 2WD	12 = Van 140"	EX8 = Engine - 2.7L I5	DGJ = Transmission - 5-Spd Auto, MB
	8 = HD DODGE 4WD	51 = Wagon 118"	Mercedes-Benz TD	
	6 = Lt. Duty DODGE 4WD	52 = Wagon 140"		
	2 = Med. Duty DODGE 2WD	14 = Van 118"		
	7 = Med. Duty DODGE 4WD	15 = Van 140"		
	4 = TRUCK	16 = Van 158"		
		54 = Wagon 118"		
		55 = Wagon 140"		
		56 = Wagon 158"		
		01 = Chassis Forward Control 118"		
		02 = Chassis Forward Control 140"		
		06 = Front Section 158"		
		11 = Van 118"		

AR = use ase required - = Non illustrated part

Wiring - Headlamp & Dash
Figure 8-1305



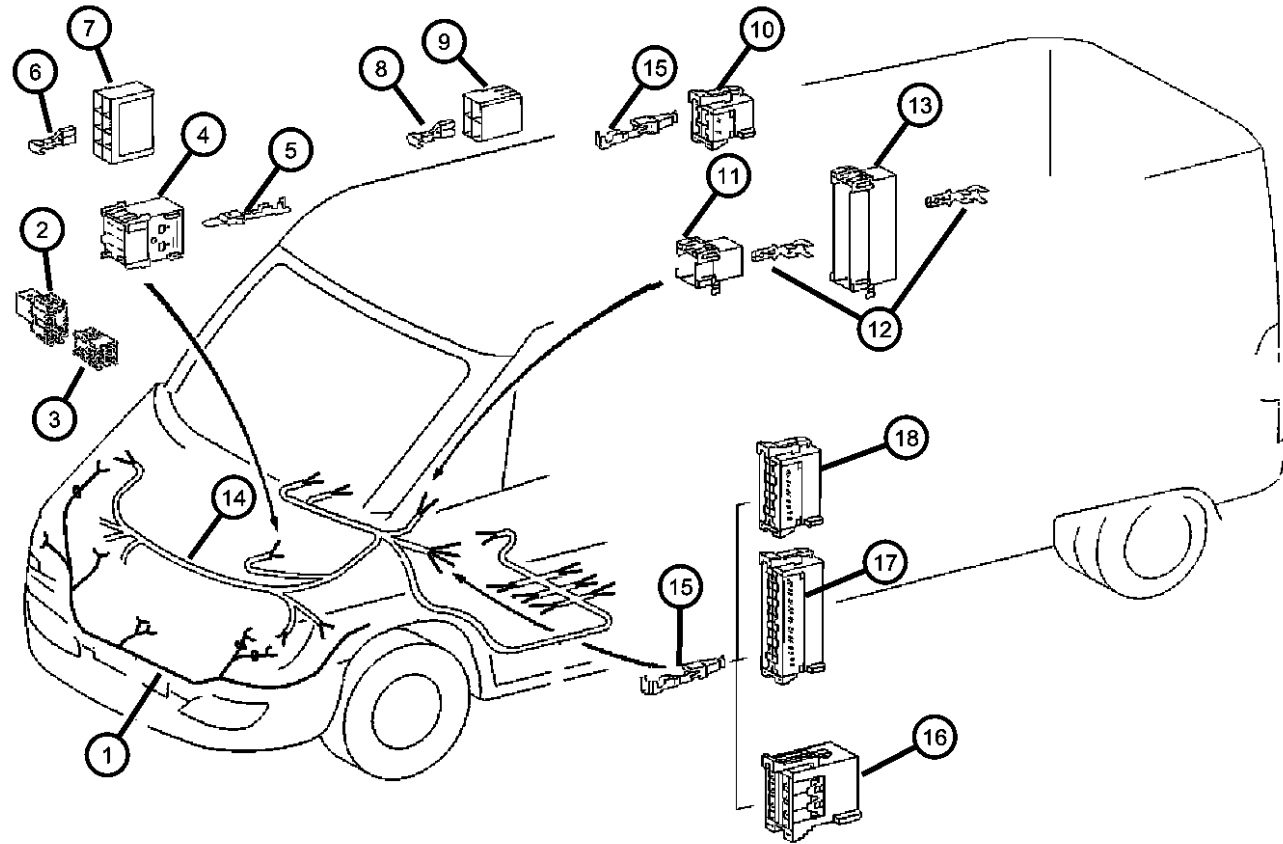
ITEM	PART NUMBER	QTY	LINE	SERIES	BODY	ENGINE	TRANS	TRIM	DESCRIPTION
	05103753AA	99	2, 6	L	01, 02, 06	EX8	DGJ		
		99	2, 6	L	11, 12, 14, 15, 16	EX8	DGJ		
		99	2, 6	L	51, 52, 54, 55, 56	EX8	DGJ		
		99	3, 7	L	02, 06	EX8	DGJ		
		99	3, 7	L	12, 15, 16	EX8	DGJ		
10									CONNECTOR
	05120785AA	1	2, 6	L	01, 02, 06	EX8	DGJ		
		1	2, 6	L	11, 12, 14, 15, 16	EX8	DGJ		
		1	2, 6	L	51, 52, 54, 55, 56	EX8	DGJ		
		1	3, 7	L	02, 06	EX8	DGJ		
		1	3, 7	L	12, 15, 16	EX8	DGJ		
11									CONNECTOR
	05120791AA	1	2, 6	L	01, 02, 06	EX8	DGJ		
		1	2, 6	L	11, 12, 14, 15, 16	EX8	DGJ		
		1	2, 6	L	51, 52, 54, 55, 56	EX8	DGJ		
		1	3, 7	L	02, 06	EX8	DGJ		
		1	3, 7	L	12, 15, 16	EX8	DGJ		
12									TERMINAL, Male
	05133377AA	1	2, 6	L	01, 02, 06	EX8	DGJ		
		1	2, 6	L	11, 12, 14, 15, 16	EX8	DGJ		
		1	2, 6	L	51, 52, 54, 55, 56	EX8	DGJ		
		1	3, 7	L	02, 06	EX8	DGJ		
		1	3, 7	L	12, 15, 16	EX8	DGJ		
13									CONNECTOR

SPRINTER (VA)

SERIES	LINE	BODY	ENGINE	TRANSMISSION
L = LOWLINE	3 = HD DODGE 2WD 8 = HD DODGE 4WD 6 = Lt. Duty DODGE 4WD 2 = Med. Duty DODGE 2WD 7 = Med. Duty DODGE 4WD 4 = TRUCK	12 = Van 140" 51 = Wagon 118" 52 = Wagon 140" 14 = Van 118" 15 = Van 140" 16 = Van 158" 54 = Wagon 118" 55 = Wagon 140" 56 = Wagon 158" 01 = Chassis Forward Control 118" 02 = Chassis Forward Control 140" 06 = Front Section 158" 11 = Van 118"	EX8 = Engine - 2.7L I5 Mercedes-Benz TD	DGJ = Transmission - 5-Spd Auto, MB

AR = use ase required - = Non illustrated part

Wiring - Headlamp & Dash
Figure 8-1305



ITEM	PART NUMBER	QTY	LINE	SERIES	BODY	ENGINE	TRANS	TRIM	DESCRIPTION
	05120794AA	1	2, 6	L	01, 02, 06	EX8	DGJ		
		1	2, 6	L	11, 12, 14, 15, 16	EX8	DGJ		
		1	2, 6	L	51, 52, 54, 55, 56	EX8	DGJ		
		1	3, 7	L	02, 06	EX8	DGJ		
		1	3, 7	L	12, 15, 16	EX8	DGJ		
14									WIRING, Headlamp to Dash
	05114935AA	1	2, 6	L	01, 02, 06	EX8	DGJ		
		1	2, 6	L	11, 12, 14, 15, 16	EX8	DGJ		
		1	2, 6	L	51, 52, 54, 55, 56	EX8	DGJ		
		1	3, 7	L	02, 06	EX8	DGJ		
		1	3, 7	L	12, 15, 16	EX8	DGJ		
15									TERMINAL
	05103881AA	99	2, 6	L	01, 02, 06	EX8	DGJ		
		99	2, 6	L	11, 12, 14, 15, 16	EX8	DGJ		
		99	2, 6	L	51, 52, 54, 55, 56	EX8	DGJ		
		99	3, 7	L	02, 06	EX8	DGJ		
		99	3, 7	L	12, 15, 16	EX8	DGJ		
16									CONNECTOR
	05120796AA	1	2, 6	L	01, 02, 06	EX8	DGJ		
		1	2, 6	L	11, 12, 14, 15, 16	EX8	DGJ		
		1	2, 6	L	51, 52, 54, 55, 56	EX8	DGJ		
		1	3, 7	L	02, 06	EX8	DGJ		
		1	3, 7	L	12, 15, 16	EX8	DGJ		
17									CONNECTOR

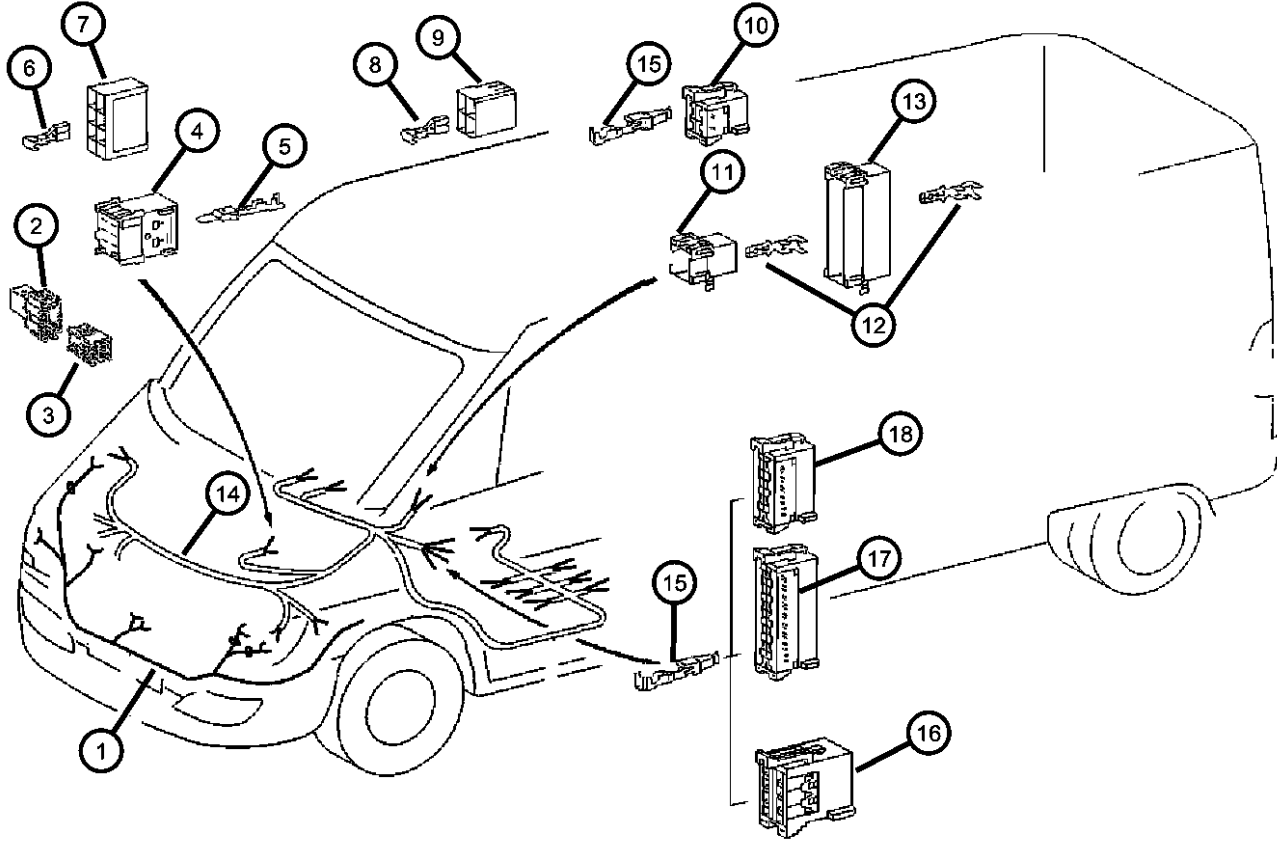
SPRINTER (VA)

SERIES	LINE	BODY	ENGINE	TRANSMISSION
L = LOWLINE	3 = HD DODGE 2WD	12 = Van 140"	EX8 = Engine - 2.7L I5	DGJ = Transmission - 5-Spd Auto, MB
	8 = HD DODGE 4WD	51 = Wagon 118"	Mercedes-Benz TD	
	6 = Lt. Duty DODGE 4WD	52 = Wagon 140"		
	2 = Med. Duty DODGE 2WD	14 = Van 118"		
	7 = Med. Duty DODGE 4WD	15 = Van 140"		
	4 = TRUCK	16 = Van 158"		
		54 = Wagon 118"		
		55 = Wagon 140"		
		56 = Wagon 158"		
		01 = Chassis Forward Control 118"		
		02 = Chassis Forward Control 140"		
		06 = Front Section 158"		
		11 = Van 118"		

AR = use ase required - = Non illustrated part

**Wiring - Headlamp & Dash
Figure 8-1305**

ITEM	PART NUMBER	QTY	LINE	SERIES	BODY	ENGINE	TRANS	TRIM	DESCRIPTION
	05120789AA	1	2, 6	L	01, 02, 06	EX8	DGJ		
		1	2, 6	L	11, 12, 14, 15, 16	EX8	DGJ		
		1	2, 6	L	51, 52, 54, 55, 56	EX8	DGJ		
		1	3, 7	L	02, 06	EX8	DGJ		
		1	3, 7	L	12, 15, 16	EX8	DGJ		
18									CONNECTOR
	05120788AA	1	2, 6	L	01, 02, 06	EX8	DGJ		
		1	2, 6	L	11, 12, 14, 15, 16	EX8	DGJ		
		1	2, 6	L	51, 52, 54, 55, 56	EX8	DGJ		
		1	3, 7	L	02, 06	EX8	DGJ		
		1	3, 7	L	12, 15, 16	EX8	DGJ		

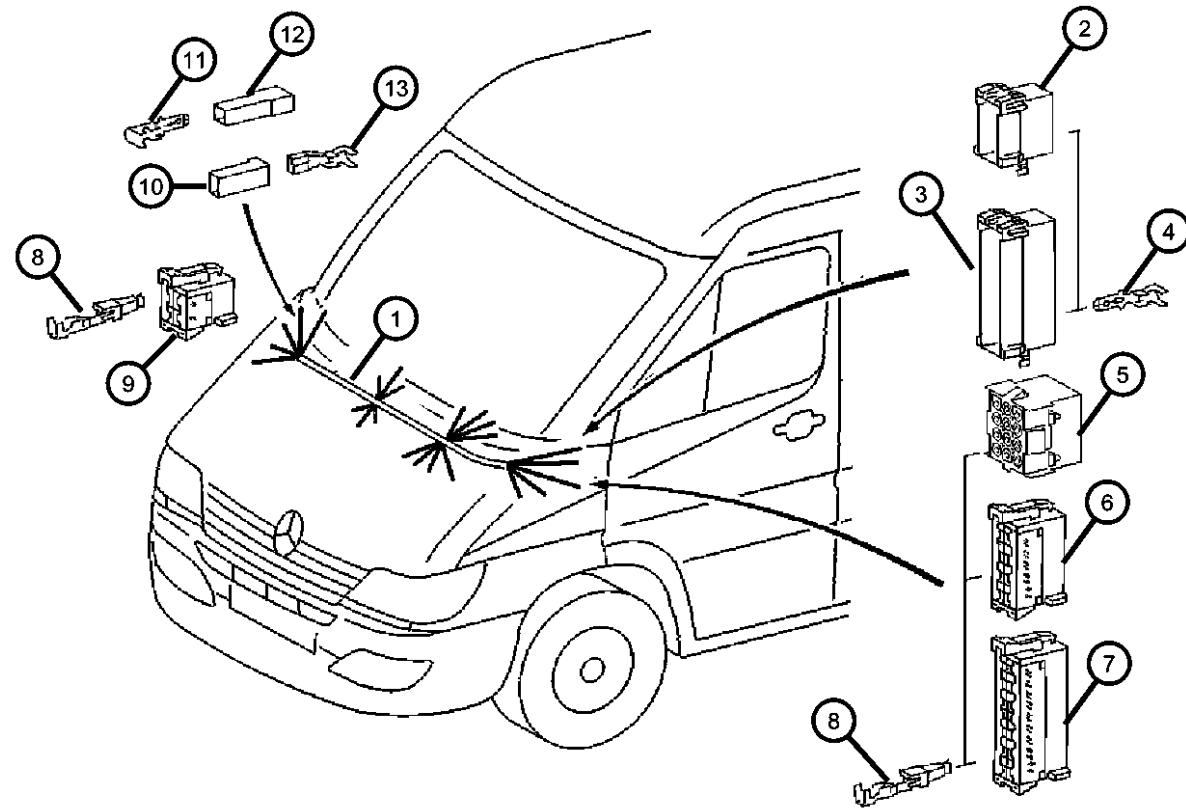


SPRINTER (VA)

SERIES	LINE	BODY	ENGINE	TRANSMISSION
L = LOWLINE	3 = HD DODGE 2WD 8 = HD DODGE 4WD 6 = Lt. Duty DODGE 4WD 2 = Med. Duty DODGE 2WD 7 = Med. Duty DODGE 4WD 4 = TRUCK	12 = Van 140" 51 = Wagon 118" 52 = Wagon 140" 14 = Van 118" 15 = Van 140" 16 = Van 158" 54 = Wagon 118" 55 = Wagon 140" 56 = Wagon 158" 01 = Chassis Forward Control 118" 02 = Chassis Forward Control 140" 06 = Front Section 158" 11 = Van 118"	EX8 = Engine - 2.7L I5 Mercedes-Benz TD	DGJ = Transmission - 5-Spd Auto, MB

AR = use ase required - = Non illustrated part

Wiring - Instrument Panel
Figure 8-1405



ITEM	PART NUMBER	QTY	LINE	SERIES	BODY	ENGINE	TRANS	TRIM	DESCRIPTION
1									WIRING, Instrument Panel
	05114933AA	1	2, 6	L	01, 02, 06	EX8	DGJ		
		1	2, 6	L	11, 12, 14, 15, 16	EX8	DGJ		
		1	2, 6	L	51, 52, 54, 55, 56	EX8	DGJ		
		1	3, 7	L	02, 06	EX8	DGJ		
		1	3, 7	L	12, 15, 16	EX8	DGJ		
2									INSULATOR
	05133393AA	1	2, 6	L	01, 02, 06	EX8	DGJ		
		1	2, 6	L	11, 12, 14, 15, 16	EX8	DGJ		
		1	2, 6	L	51, 52, 54, 55, 56	EX8	DGJ		
		1	3, 7	L	02, 06	EX8	DGJ		
		1	3, 7	L	12, 15, 16	EX8	DGJ		
3									CONNECTOR
	05120793AA	1	2, 6	L	01, 02, 06	EX8	DGJ		
		1	2, 6	L	11, 12, 14, 15, 16	EX8	DGJ		
		1	2, 6	L	51, 52, 54, 55, 56	EX8	DGJ		
		1	3, 7	L	02, 06	EX8	DGJ		
		1	3, 7	L	12, 15, 16	EX8	DGJ		
4									TERMINAL, Male
	05133377AA	1	2, 6	L	01, 02, 06	EX8	DGJ		
		1	2, 6	L	11, 12, 14, 15, 16	EX8	DGJ		
		1	2, 6	L	51, 52, 54, 55, 56	EX8	DGJ		
		1	3, 7	L	02, 06	EX8	DGJ		
		1	3, 7	L	12, 15, 16	EX8	DGJ		
5									CONNECTOR

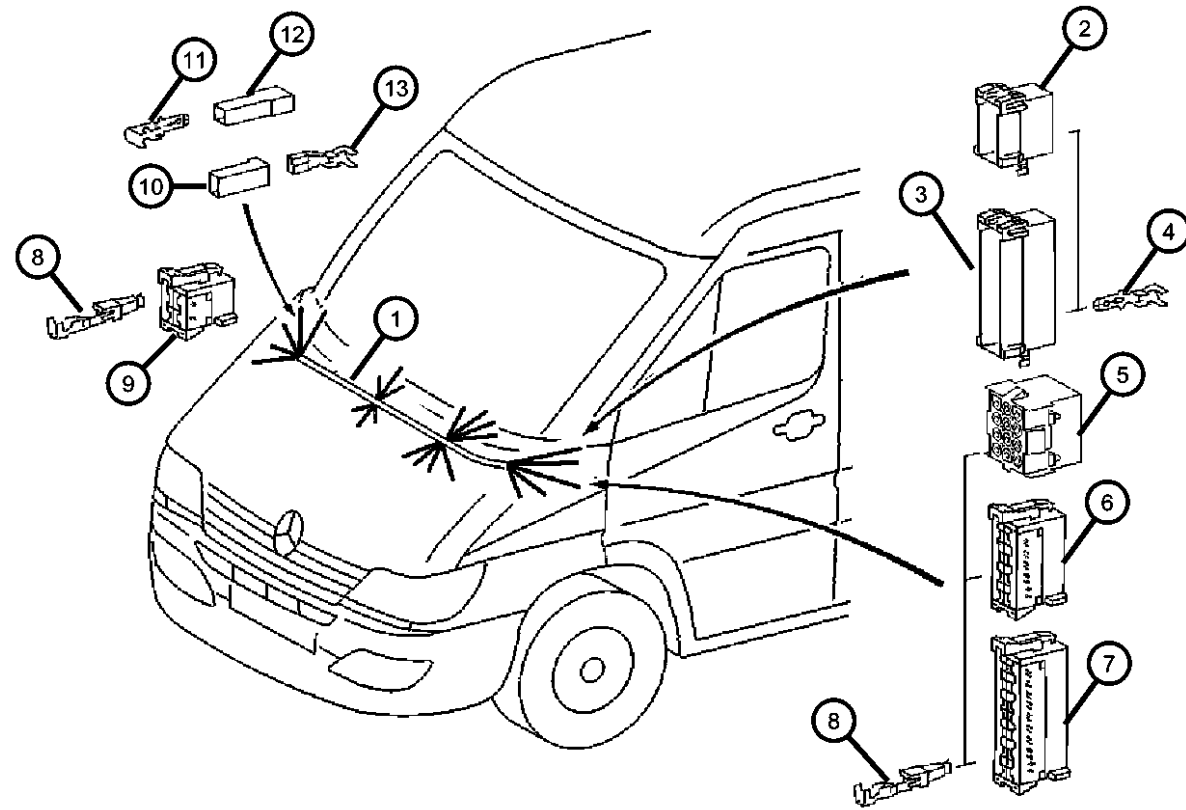
SPRINTER (VA)

SERIES	LINE	BODY	ENGINE	TRANSMISSION
L = LOWLINE	3 = HD DODGE 2WD 8 = HD DODGE 4WD 6 = Lt. Duty DODGE 4WD 2 = Med. Duty DODGE 2WD 7 = Med. Duty DODGE 4WD 4 = TRUCK	12 = Van 140" 51 = Wagon 118" 52 = Wagon 140" 14 = Van 118" 15 = Van 140" 16 = Van 158" 54 = Wagon 118" 55 = Wagon 140" 56 = Wagon 158" 01 = Chassis Forward Control 118" 02 = Chassis Forward Control 140" 06 = Front Section 158" 11 = Van 118"	EX8 = Engine - 2.7L I5 Mercedes-Benz TD	DGJ = Transmission - 5-Spd Auto, MB

AR = use ase required - = Non illustrated part

2005 VA

Wiring - Instrument Panel
Figure 8-1405



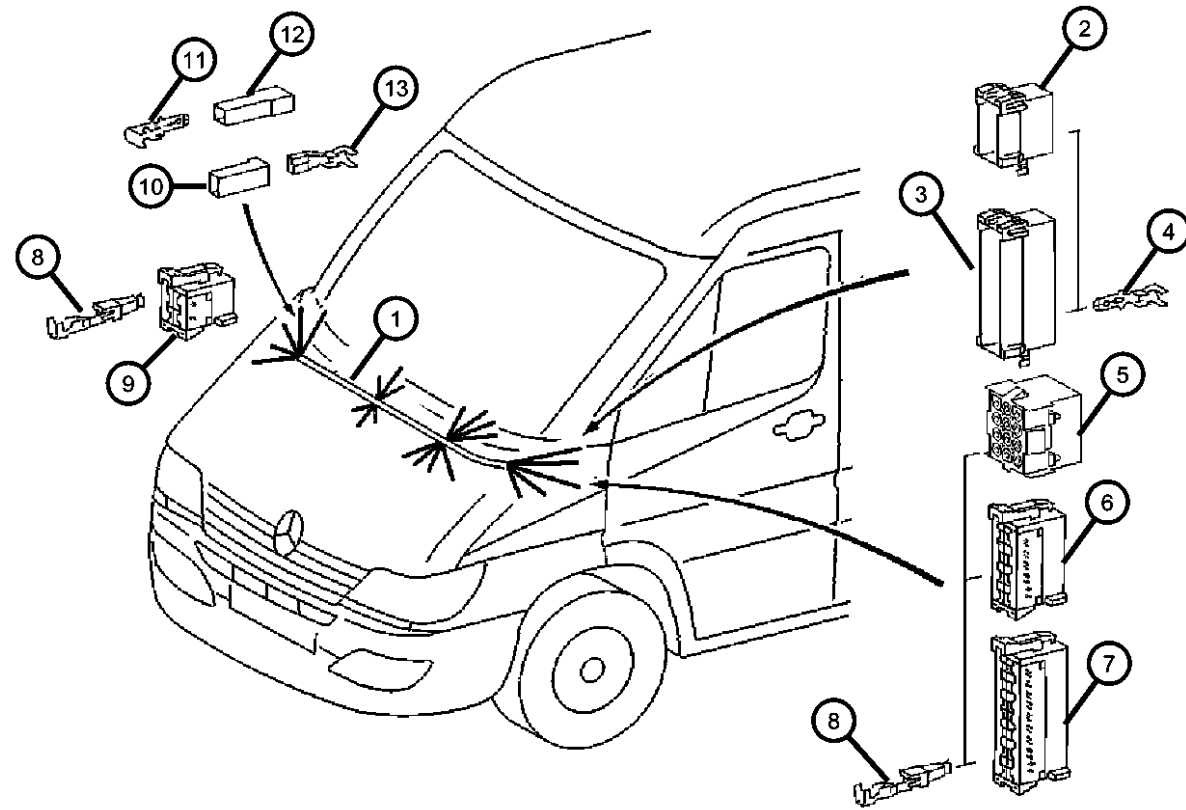
ITEM	PART NUMBER	QTY	LINE	SERIES	BODY	ENGINE	TRANS	TRIM	DESCRIPTION
6	05120675AA	1	2, 6	L	01, 02, 06	EX8	DGJ		CONNECTOR
		1	2, 6	L	11, 12, 14, 15, 16	EX8	DGJ		
		1	2, 6	L	51, 52, 54, 55, 56	EX8	DGJ		
		1	3, 7	L	02, 06	EX8	DGJ		
		1	3, 7	L	12, 15, 16	EX8	DGJ		
7	05120787AA	1	2, 6	L	01, 02, 06	EX8	DGJ		CONNECTOR
		1	2, 6	L	11, 12, 14, 15, 16	EX8	DGJ		
		1	2, 6	L	51, 52, 54, 55, 56	EX8	DGJ		
		1	3, 7	L	02, 06	EX8	DGJ		
		1	3, 7	L	12, 15, 16	EX8	DGJ		
8	05120789AA	1	2, 6	L	01, 02, 06	EX8	DGJ		TERMINAL
		1	2, 6	L	11, 12, 14, 15, 16	EX8	DGJ		
		1	2, 6	L	51, 52, 54, 55, 56	EX8	DGJ		
		1	3, 7	L	02, 06	EX8	DGJ		
		1	3, 7	L	12, 15, 16	EX8	DGJ		
9	05103881AA	99	2, 6	L	01, 02, 06	EX8	DGJ		CONNECTOR
		99	2, 6	L	11, 12, 14, 15, 16	EX8	DGJ		
		99	2, 6	L	51, 52, 54, 55, 56	EX8	DGJ		
		99	3, 7	L	02, 06	EX8	DGJ		
		99	3, 7	L	12, 15, 16	EX8	DGJ		

SPRINTER (VA)

SERIES	LINE	BODY	ENGINE	TRANSMISSION
L = LOWLINE	3 = HD DODGE 2WD 8 = HD DODGE 4WD 6 = Lt. Duty DODGE 4WD 2 = Med. Duty DODGE 2WD 7 = Med. Duty DODGE 4WD 4 = TRUCK	12 = Van 140" 51 = Wagon 118" 52 = Wagon 140" 14 = Van 118" 15 = Van 140" 16 = Van 158" 54 = Wagon 118" 55 = Wagon 140" 56 = Wagon 158" 01 = Chassis Forward Control 118" 02 = Chassis Forward Control 140" 06 = Front Section 158" 11 = Van 118"	EX8 = Engine - 2.7L I5 Mercedes-Benz TD	DGJ = Transmission - 5-Spd Auto, MB

AR = use ase required - = Non illustrated part

Wiring - Instrument Panel
Figure 8-1405



ITEM	PART NUMBER	QTY	LINE	SERIES	BODY	ENGINE	TRANS	TRIM	DESCRIPTION
	05120785AA	1	2, 6	L	01, 02, 06	EX8	DGJ		
		1	2, 6	L	11, 12, 14, 15, 16	EX8	DGJ		
		1	2, 6	L	51, 52, 54, 55, 56	EX8	DGJ		
		1	3, 7	L	02, 06	EX8	DGJ		
		1	3, 7	L	12, 15, 16	EX8	DGJ		
10									CONNECTOR
	05120684AA	1	2, 6	L	01, 02, 06	EX8	DGJ		
		1	2, 6	L	11, 12, 14, 15, 16	EX8	DGJ		
		1	2, 6	L	51, 52, 54, 55, 56	EX8	DGJ		
		1	3, 7	L	02, 06	EX8	DGJ		
		1	3, 7	L	12, 15, 16	EX8	DGJ		
11									TERMINAL, Male
	05133391AA	99	2, 6	L	01, 02, 06	EX8	DGJ		
		99	2, 6	L	11, 12, 14, 15, 16	EX8	DGJ		
		99	2, 6	L	51, 52, 54, 55, 56	EX8	DGJ		
		99	3, 7	L	02, 06	EX8	DGJ		
		99	3, 7	L	12, 15, 16	EX8	DGJ		
12									INSULATOR
	05120685AA	1	2, 6	L	01, 02, 06	EX8	DGJ		
		2	2, 6	L	11, 12, 14, 15, 16	EX8	DGJ		
		2	2, 6	L	51, 52, 54, 55, 56	EX8	DGJ		
		1	3, 7	L	02, 06	EX8	DGJ		
		2	3, 7	L	12, 15, 16	EX8	DGJ		
13									TERMINAL, Female

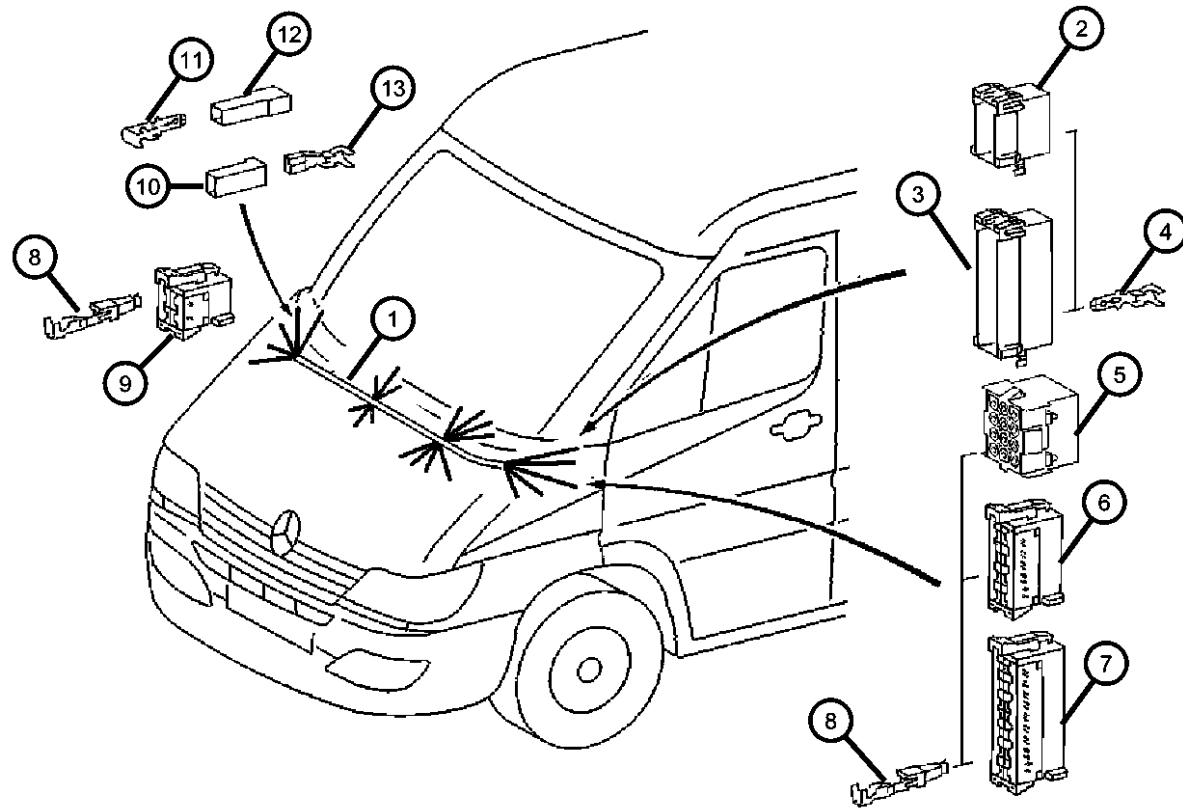
SPRINTER (VA)

SERIES	LINE	BODY	ENGINE	TRANSMISSION
L = LOWLINE	3 = HD DODGE 2WD	12 = Van 140"	EX8 = Engine - 2.7L I5	DGJ = Transmission - 5-Spd Auto, MB
	8 = HD DODGE 4WD	51 = Wagon 118"	Mercedes-Benz TD	
	6 = Lt. Duty DODGE 4WD	52 = Wagon 140"		
	2 = Med. Duty DODGE 2WD	14 = Van 118"		
	7 = Med. Duty DODGE 4WD	15 = Van 140"		
	4 = TRUCK	16 = Van 158"		
		54 = Wagon 118"		
		55 = Wagon 140"		
		56 = Wagon 158"		
		01 = Chassis Forward Control		
		118"		
		02 = Chassis Forward Control		
		140"		
		06 = Front Section 158"		
		11 = Van 118"		

AR = use ase required - = Non illustrated part

Wiring - Instrument Panel
Figure 8-1405

ITEM	PART NUMBER	QTY	LINE	SERIES	BODY	ENGINE	TRANS	TRIM	DESCRIPTION
	05103871AA	1	2, 6	L	01, 02, 06	EX8	DGJ		
		1	2, 6	L	11, 12, 14, 15, 16	EX8	DGJ		
		1	2, 6	L	51, 52, 54, 55, 56	EX8	DGJ		
		1	3, 7	L	02, 06	EX8	DGJ		
		1	3, 7	L	12, 15, 16	EX8	DGJ		
-14									WIRING, Instrument Panel Jumper
	05133418AA	1	2, 6	L	01, 02, 06	EX8	DGJ		Ash tray
		1	2, 6	L	11, 12, 14, 15, 16	EX8	DGJ		Ash tray
		1	2, 6	L	51, 52, 54, 55, 56	EX8	DGJ		Ash tray
		1	3, 7	L	02, 06	EX8	DGJ		Ash tray
		1	3, 7	L	12, 15, 16	EX8	DGJ		Ash tray



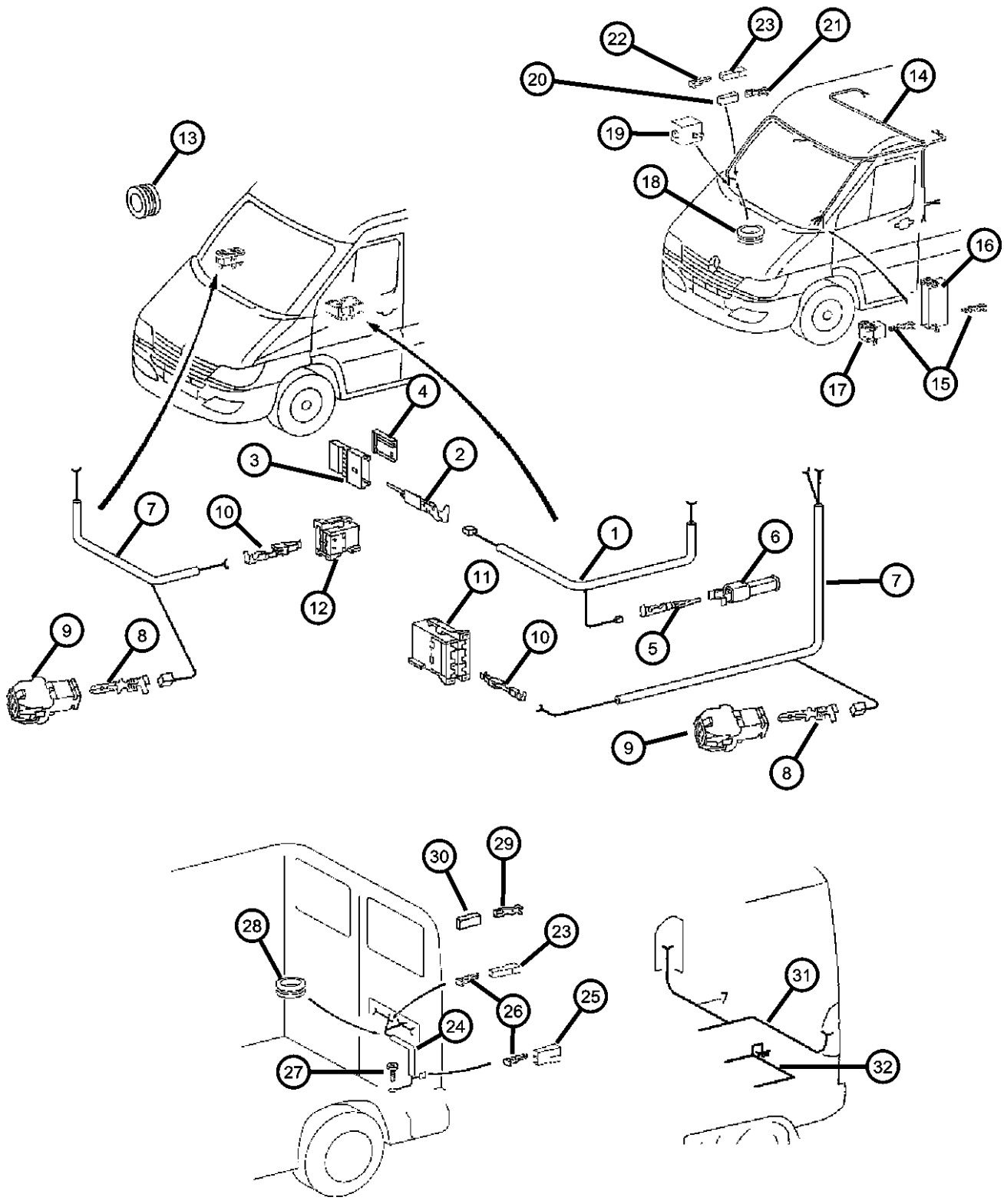
SPRINTER (VA)

SERIES	LINE	BODY	ENGINE	TRANSMISSION
L = LOWLINE	3 = HD DODGE 2WD 8 = HD DODGE 4WD 6 = Lt. Duty DODGE 4WD 2 = Med. Duty DODGE 2WD 7 = Med. Duty DODGE 4WD 4 = TRUCK	12 = Van 140" 51 = Wagon 118" 52 = Wagon 140" 14 = Van 118" 15 = Van 140" 16 = Van 158" 54 = Wagon 118" 55 = Wagon 140" 56 = Wagon 158" 01 = Chassis Forward Control 118" 02 = Chassis Forward Control 140" 06 = Front Section 158" 11 = Van 118"	EX8 = Engine - 2.7L I5 Mercedes-Benz TD	DGJ = Transmission - 5-Spd Auto, MB

AR = use ase required - = Non illustrated part

2005 VA

Wiring - Body & Accessories
Figure 8-1505



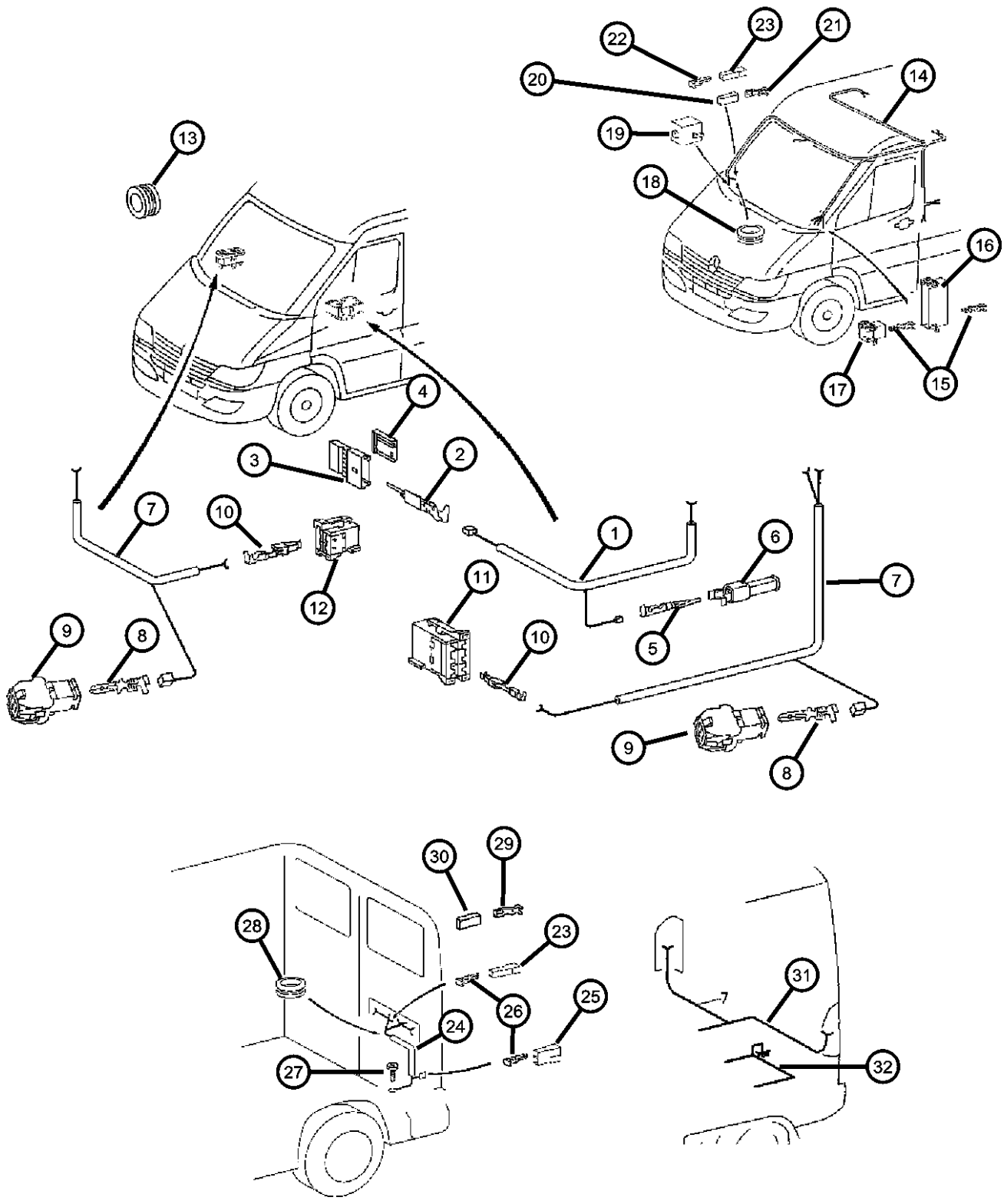
ITEM	PART NUMBER	QTY	LINE	SERIES	BODY	ENGINE	TRANS	TRIM	DESCRIPTION
1									WIRING, Mirror Jumper
	05133502AA	1	2, 6	L	51, 52, 54, 55, 56	EX8	DGJ		
	05120224AB	1	2, 6	L	01, 02, 06	EX8	DGJ		[GTB]
		1	2, 6	L	11, 12, 14, 15, 16	EX8	DGJ		[GTB]
		1	2, 6	L	51, 52, 54, 55, 56	EX8	DGJ		[GTB]
		1	3, 7	L	02, 06	EX8	DGJ		[GTB]
		1	3, 7	L	12, 15, 16	EX8	DGJ		[GTB]
		1	2, 6	L	01, 02, 06	EX8	DGJ		
		1	2, 6	L	11, 12, 14, 15, 16	EX8	DGJ		
		1	3, 7	L	02, 06	EX8	DGJ		
		1	3, 7	L	12, 15, 16	EX8	DGJ		
2									TERMINAL, Male
	05133990AA	99	2, 6	L	01, 02, 06	EX8	DGJ		
		99	2, 6	L	11, 12, 14, 15, 16	EX8	DGJ		
		99	2, 6	L	51, 52, 54, 55, 56	EX8	DGJ		
		99	3, 7	L	02, 06	EX8	DGJ		
		99	3, 7	L	12, 15, 16	EX8	DGJ		
3									INSULATOR, 6 Way
	05133330AA	1	2, 6	L	01, 02, 06	EX8	DGJ		
		1	2, 6	L	11, 12, 14, 15, 16	EX8	DGJ		
		1	2, 6	L	51, 52, 54, 55, 56	EX8	DGJ		
		1	3, 7	L	02, 06	EX8	DGJ		
		1	3, 7	L	12, 15, 16	EX8	DGJ		
4									CONNECTOR, Instrument cluster
	05133331AA	1	2, 6	L	01, 02, 06	EX8	DGJ		

SPRINTER (VA)

SERIES	LINE	BODY	ENGINE	TRANSMISSION
L = LOWLINE	3 = HD DODGE 2WD 8 = HD DODGE 4WD 6 = Lt. Duty DODGE 4WD 2 = Med. Duty DODGE 2WD 7 = Med. Duty DODGE 4WD 4 = TRUCK	12 = Van 140" 51 = Wagon 118" 52 = Wagon 140" 14 = Van 118" 15 = Van 140" 16 = Van 158" 54 = Wagon 118" 55 = Wagon 140" 56 = Wagon 158" 01 = Chassis Forward Control 118" 02 = Chassis Forward Control 140" 06 = Front Section 158" 11 = Van 118"	EX8 = Engine - 2.7L I5 Mercedes-Benz TD	DGJ = Transmission - 5-Spd Auto, MB

AR = use ase required - = Non illustrated part

Wiring - Body & Accessories
Figure 8-1505



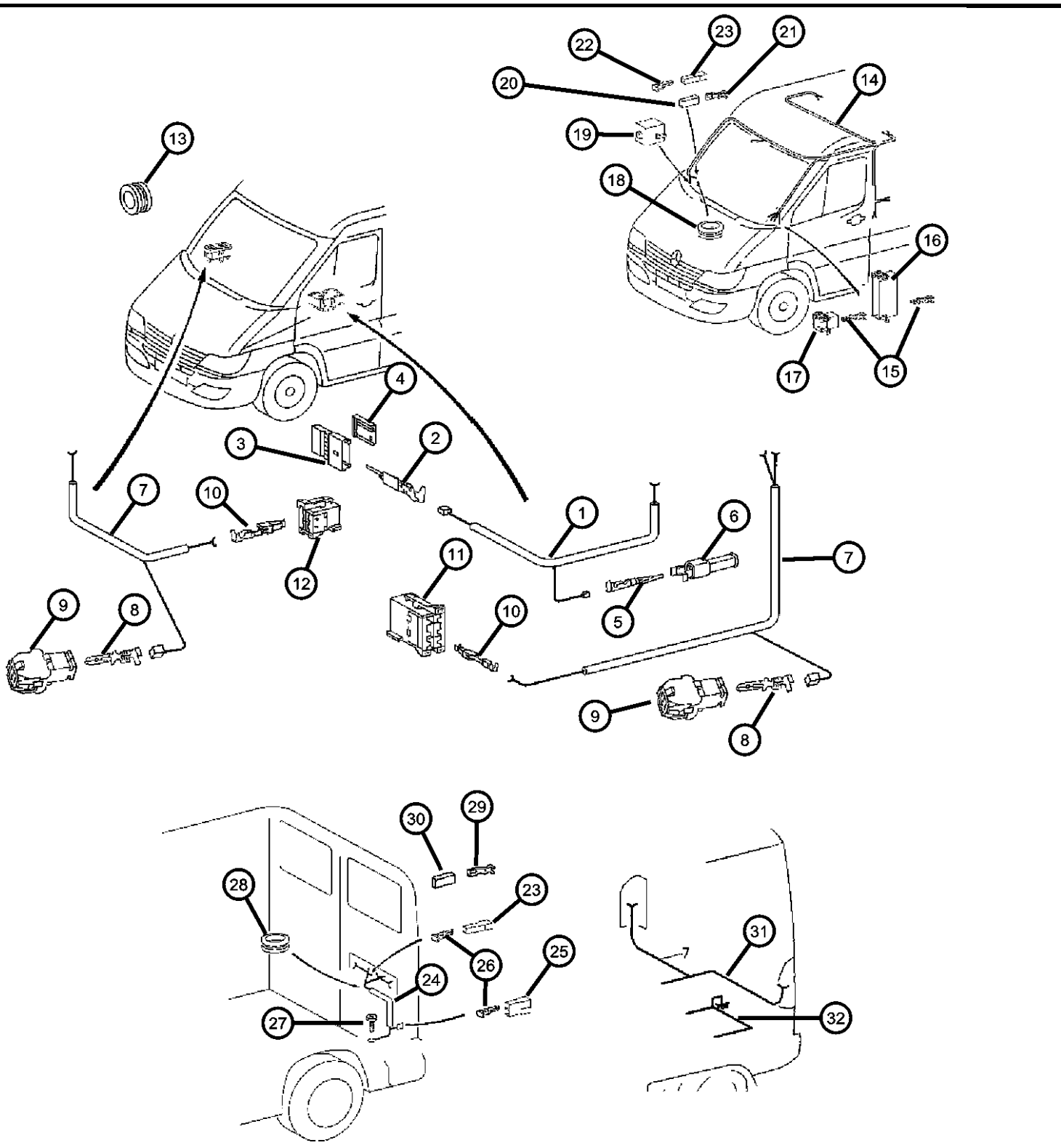
ITEM	PART NUMBER	QTY	LINE	SERIES	BODY	ENGINE	TRANS	TRIM	DESCRIPTION
5	05133387AA	1	2, 6	L	51, 52, 54, 55, 56	EX8	DGJ		TERMINAL
		1	3, 7	L	02, 06	EX8	DGJ		
		1	3, 7	L	12, 15, 16	EX8	DGJ		
		1	2, 6	L	11, 12, 14, 15, 16	EX8	DGJ		
		5	2, 6	L	01, 02, 06	EX8	DGJ		
6	05120744AA	5	2, 6	L	11, 12, 14, 15, 16	EX8	DGJ		CONNECTOR
		5	2, 6	L	51, 52, 54, 55, 56	EX8	DGJ		
		5	3, 7	L	02, 06	EX8	DGJ		
		5	3, 7	L	12, 15, 16	EX8	DGJ		
		1	2, 6	L	01, 02, 06	EX8	DGJ		
7	05120222AB	1	2, 6	L	11, 12, 14, 15, 16	EX8	DGJ		WIRING, Power Window Passenger Side
		1	2, 6	L	51, 52, 54, 55, 56	EX8	DGJ		
		1	3, 7	L	02, 06	EX8	DGJ		
		1	3, 7	L	12, 15, 16	EX8	DGJ		
		1	2, 6	L	01, 02, 06	EX8	DGJ		
		1	2, 6	L	11, 12, 14, 15, 16	EX8	DGJ		
		1	2, 6	L	51, 52, 54, 55, 56	EX8	DGJ		
7	05120220AB	1	3, 7	L	02, 06	EX8	DGJ		Passenger Side
		1	3, 7	L	12, 15, 16	EX8	DGJ		
		1	2, 6	L	01, 02, 06	EX8	DGJ		
7	05120220AB	1	2, 6	L	11, 12, 14, 15, 16	EX8	DGJ		Drivers Side
		1	2, 6	L	11, 12, 14, 15, 16	EX8	DGJ		

SPRINTER (VA)

SERIES	LINE	BODY	ENGINE	TRANSMISSION
L = LOWLINE	3 = HD DODGE 2WD 8 = HD DODGE 4WD 6 = Lt. Duty DODGE 4WD 2 = Med. Duty DODGE 2WD 7 = Med. Duty DODGE 4WD 4 = TRUCK	12 = Van 140" 51 = Wagon 118" 52 = Wagon 140" 14 = Van 118" 15 = Van 140" 16 = Van 158" 54 = Wagon 118" 55 = Wagon 140" 56 = Wagon 158" 01 = Chassis Forward Control 118" 02 = Chassis Forward Control 140" 06 = Front Section 158" 11 = Van 118"	EX8 = Engine - 2.7L I5 Mercedes-Benz TD	DGJ = Transmission - 5-Spd Auto, MB

AR = use ase required - = Non illustrated part

Wiring - Body & Accessories
Figure 8-1505



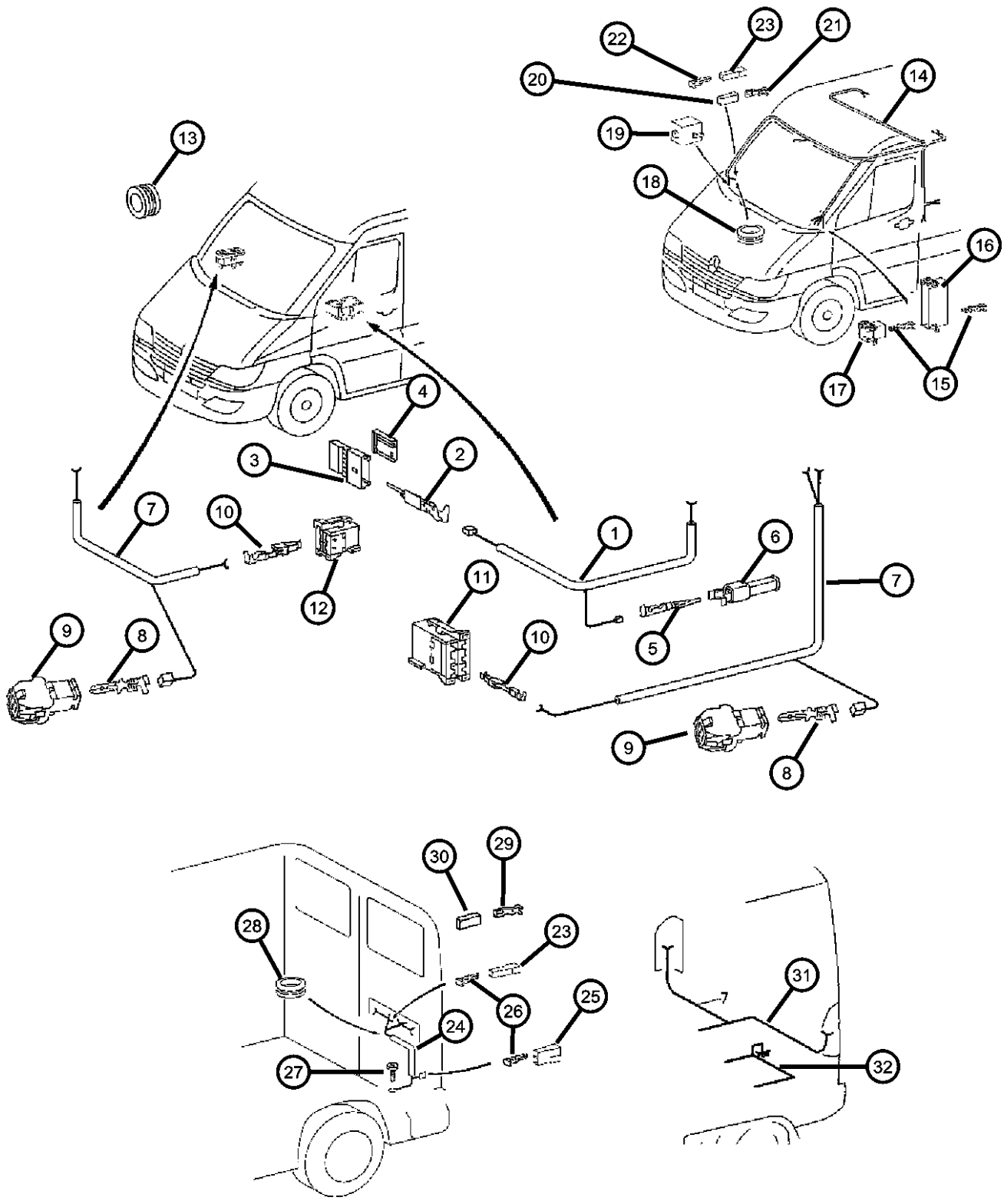
ITEM	PART NUMBER	QTY	LINE	SERIES	BODY	ENGINE	TRANS	TRIM	DESCRIPTION
8	05133378AA	1	2, 6	L	51, 52, 54, 55, 56	EX8	DGJ		Drivers Side
		1	7, 3	L	02, 06	EX8	DGJ		Drivers Side
		1	3, 7	L	12, 15, 16	EX8	DGJ		Drivers Side
		99	2, 6	L	01, 02, 06	EX8	DGJ		TERMINAL, Male
		99	2, 6	L	11, 12, 14, 15, 16	EX8	DGJ		
		99	2, 6	L	51, 52, 54, 55, 56	EX8	DGJ		
9	05103895AA	1	3, 7	L	12, 15, 16	EX8	DGJ		CONNECTOR
		1	2, 6	L	01, 02, 06	EX8	DGJ		
		1	2, 6	L	11, 12, 14, 15, 16	EX8	DGJ		
		1	2, 6	L	51, 52, 54, 55, 56	EX8	DGJ		
		1	3, 7	L	02, 06	EX8	DGJ		
		99	3, 7	L	12, 15, 16	EX8	DGJ		
10	05103881AA	1	2, 6	L	01, 02, 06	EX8	DGJ		TERMINAL
		99	2, 6	L	11, 12, 14, 15, 16	EX8	DGJ		
		99	2, 6	L	51, 52, 54, 55, 56	EX8	DGJ		
		99	3, 7	L	02, 06	EX8	DGJ		
		99	3, 7	L	12, 15, 16	EX8	DGJ		
		99	3, 7	L	12, 15, 16	EX8	DGJ		
11	05120786AA	1	2, 6	L	01, 02, 06	EX8	DGJ		CONNECTOR
		1	2, 6	L	11, 12, 14, 15, 16	EX8	DGJ		

SPRINTER (VA)

SERIES	LINE	BODY	ENGINE	TRANSMISSION
L = LOWLINE	3 = HD DODGE 2WD 8 = HD DODGE 4WD 6 = Lt. Duty DODGE 4WD 2 = Med. Duty DODGE 2WD 7 = Med. Duty DODGE 4WD 4 = TRUCK	12 = Van 140" 51 = Wagon 118" 52 = Wagon 140" 14 = Van 118" 15 = Van 140" 16 = Van 158" 54 = Wagon 118" 55 = Wagon 140" 56 = Wagon 158" 01 = Chassis Forward Control 118" 02 = Chassis Forward Control 140" 06 = Front Section 158" 11 = Van 118"	EX8 = Engine - 2.7L I5 Mercedes-Benz TD	DGJ = Transmission - 5-Spd Auto, MB

AR = use ase required - = Non illustrated part

Wiring - Body & Accessories
Figure 8-1505



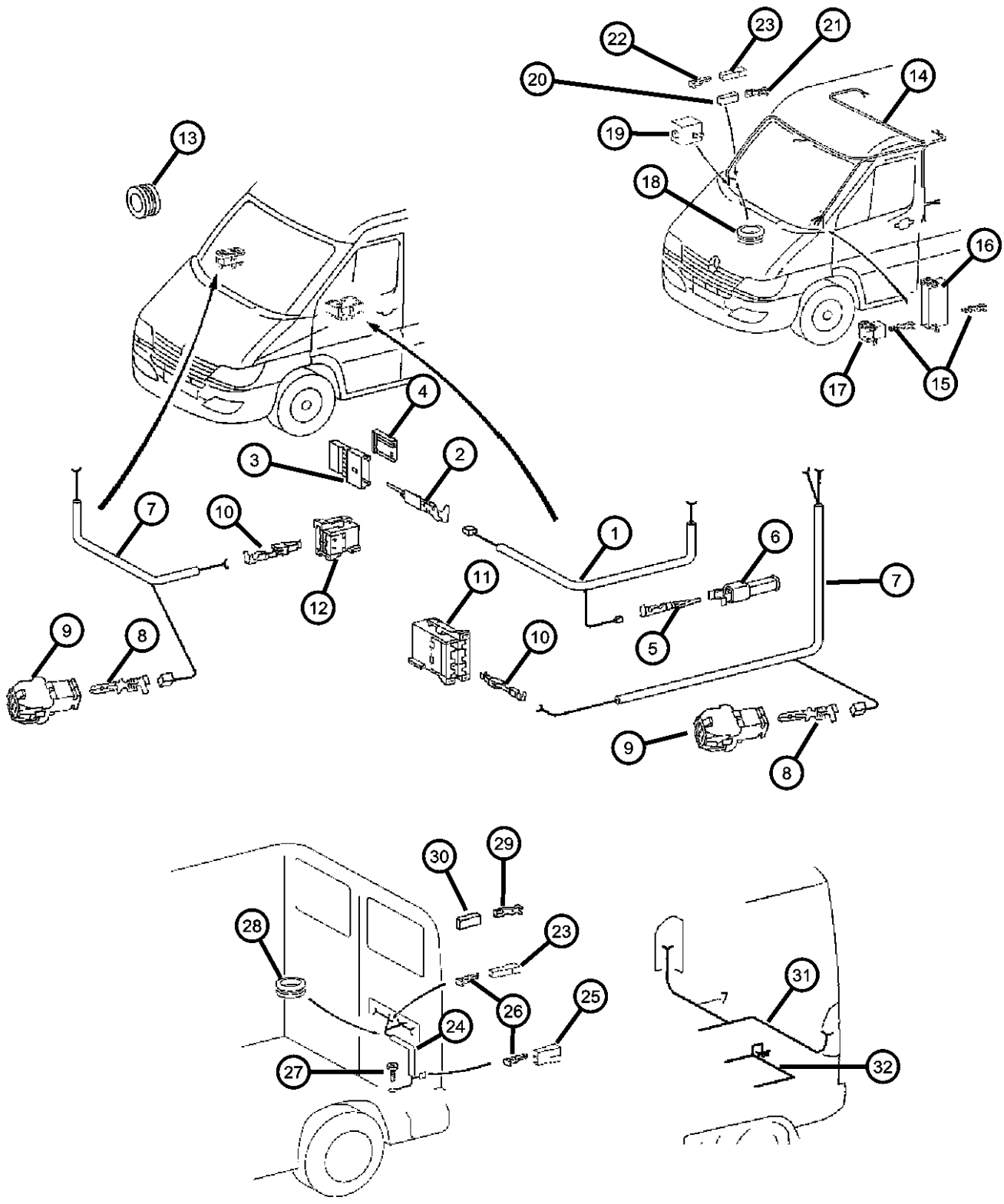
ITEM	PART NUMBER	QTY	LINE	SERIES	BODY	ENGINE	TRANS	TRIM	DESCRIPTION
12	05120785AA	1	2, 6	L	51, 52, 54, 55, 56	EX8	DGJ		CONNECTOR
		1	3, 7	L	02, 06	EX8	DGJ		
		1	3, 7	L	12, 15, 16	EX8	DGJ		
		1	2, 6	L	01, 02, 06	EX8	DGJ		
		1	2, 6	L	11, 12, 14, 15, 16	EX8	DGJ		
		1	2, 6	L	51, 52, 54, 55, 56	EX8	DGJ		
13	05125942AA	2	2, 6	L	11, 12, 14, 15, 16	EX8	DGJ		GROMMET
		2	2, 6	L	51, 52, 54, 55, 56	EX8	DGJ		
		2	2, 6	L	01, 02, 06	EX8	DGJ		
		2	3, 7	L	02, 06	EX8	DGJ		
		2	3, 7	L	12, 15, 16	EX8	DGJ		
		2	3, 7	L	12, 15, 16	EX8	DGJ		
14	05114931AA	1	2, 6	L	51, 52, 54, 55, 56	EX8	DGJ		WIRING, Body
		1	3, 7	L	02, 06	EX8	DGJ		
		1	3, 7	L	12, 15, 16	EX8	DGJ		
		1	2, 6	L	01, 02, 06	EX8	DGJ		
		1	2, 6	L	11, 12, 14, 15, 16	EX8	DGJ		
		1	2, 6	L	11, 12, 14, 15, 16	EX8	DGJ		
15	05133377AA	1	2, 6	L	01, 02, 06	EX8	DGJ		TERMINAL, Male
		1	2, 6	L	11, 12, 14, 15, 16	EX8	DGJ		

SPRINTER (VA)

SERIES	LINE	BODY	ENGINE	TRANSMISSION
L = LOWLINE	3 = HD DODGE 2WD 8 = HD DODGE 4WD 6 = Lt. Duty DODGE 4WD 2 = Med. Duty DODGE 2WD 7 = Med. Duty DODGE 4WD 4 = TRUCK	12 = Van 140" 51 = Wagon 118" 52 = Wagon 140" 14 = Van 118" 15 = Van 140" 16 = Van 158" 54 = Wagon 118" 55 = Wagon 140" 56 = Wagon 158" 01 = Chassis Forward Control 118" 02 = Chassis Forward Control 140" 06 = Front Section 158" 11 = Van 118"	EX8 = Engine - 2.7L I5 Mercedes-Benz TD	DGJ = Transmission - 5-Spd Auto, MB

AR = use ase required - = Non illustrated part

Wiring - Body & Accessories
Figure 8-1505



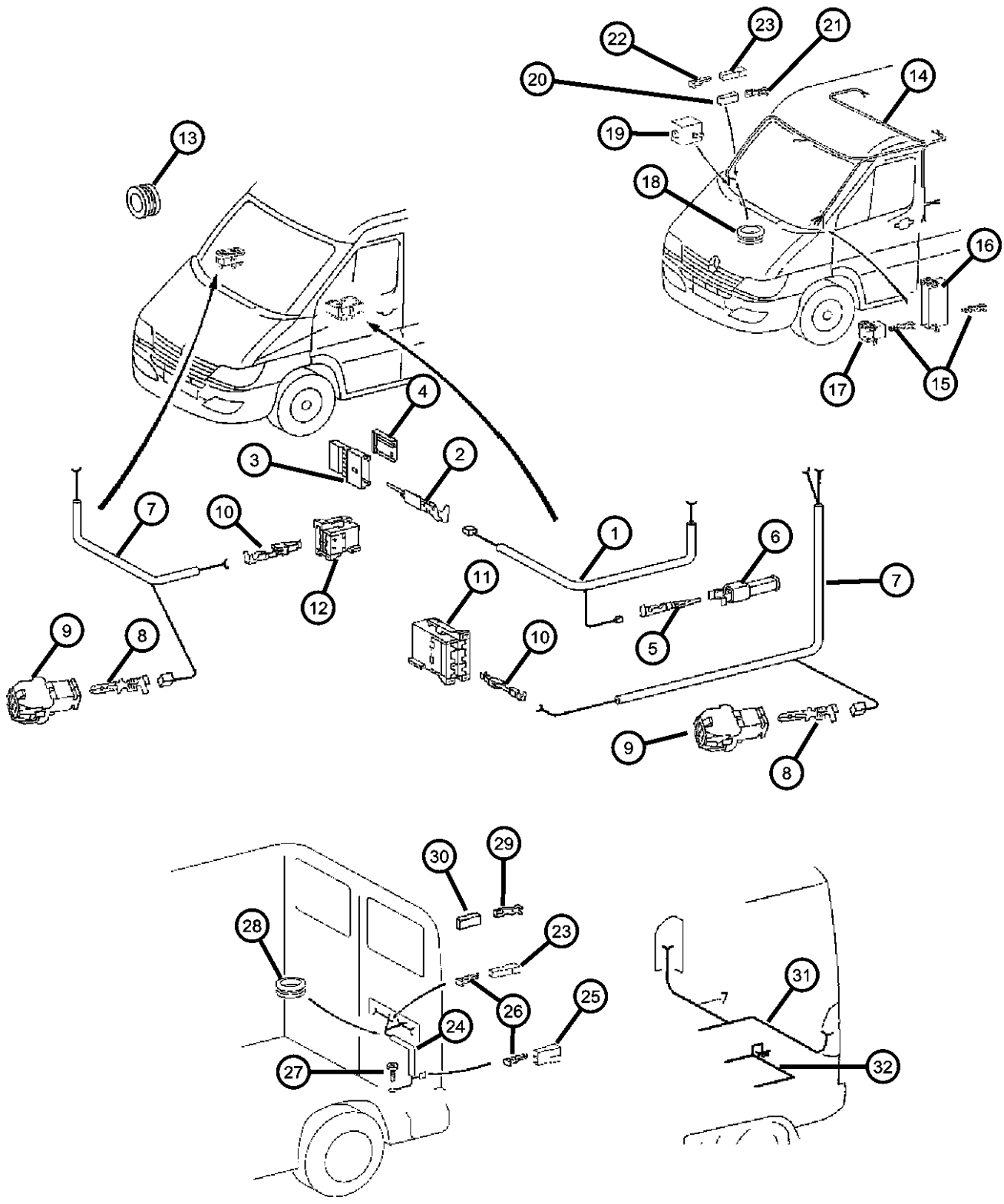
ITEM	PART NUMBER	QTY	LINE	SERIES	BODY	ENGINE	TRANS	TRIM	DESCRIPTION
16	05120794AA	1	2, 6	L	51, 52, 54, 55, 56	EX8	DGJ		CONNECTOR
		1	3, 7	L	02, 06	EX8	DGJ		
		1	3, 7	L	12, 15, 16	EX8	DGJ		
		1	2, 6	L	01, 02, 06	EX8	DGJ		
		1	2, 6	L	11, 12, 14, 15, 16	EX8	DGJ		
		1	2, 6	L	51, 52, 54, 55, 56	EX8	DGJ		
17	05120791AA	1	3, 7	L	02, 06	EX8	DGJ		CONNECTOR
		1	3, 7	L	12, 15, 16	EX8	DGJ		
		1	2, 6	L	01, 02, 06	EX8	DGJ		
		1	2, 6	L	11, 12, 14, 15, 16	EX8	DGJ		
		1	2, 6	L	51, 52, 54, 55, 56	EX8	DGJ		
		1	3, 7	L	02, 06	EX8	DGJ		
18	05133408AA	1	3, 7	L	12, 15, 16	EX8	DGJ		GROMMET, Chassis Wiring
		1	6, 2	L	01, 02, 06	EX8	DGJ		
		1	2, 6	L	11, 12, 14, 15, 16	EX8	DGJ		
		1	2, 6	L	51, 52, 54, 55, 56	EX8	DGJ		
		1	3, 7	L	02, 06	EX8	DGJ		
		1	3, 7	L	12, 15, 16	EX8	DGJ		
19	05133401AA	1	2, 6	L	01, 02, 06	EX8	DGJ		INSULATOR, 2 Way
		1	2, 6	L	11, 12, 14, 15, 16	EX8	DGJ		
		1	2, 6	L	11, 12, 14, 15, 16	EX8	DGJ		

SPRINTER (VA)

SERIES	LINE	BODY	ENGINE	TRANSMISSION
L = LOWLINE	3 = HD DODGE 2WD 8 = HD DODGE 4WD 6 = Lt. Duty DODGE 4WD 2 = Med. Duty DODGE 2WD 7 = Med. Duty DODGE 4WD 4 = TRUCK	12 = Van 140" 51 = Wagon 118" 52 = Wagon 140" 14 = Van 118" 15 = Van 140" 16 = Van 158" 54 = Wagon 118" 55 = Wagon 140" 56 = Wagon 158" 01 = Chassis Forward Control 118" 02 = Chassis Forward Control 140" 06 = Front Section 158" 11 = Van 118"	EX8 = Engine - 2.7L I5 Mercedes-Benz TD	DGJ = Transmission - 5-Spd Auto, MB

AR = use ase required - = Non illustrated part

Wiring - Body & Accessories
Figure 8-1505



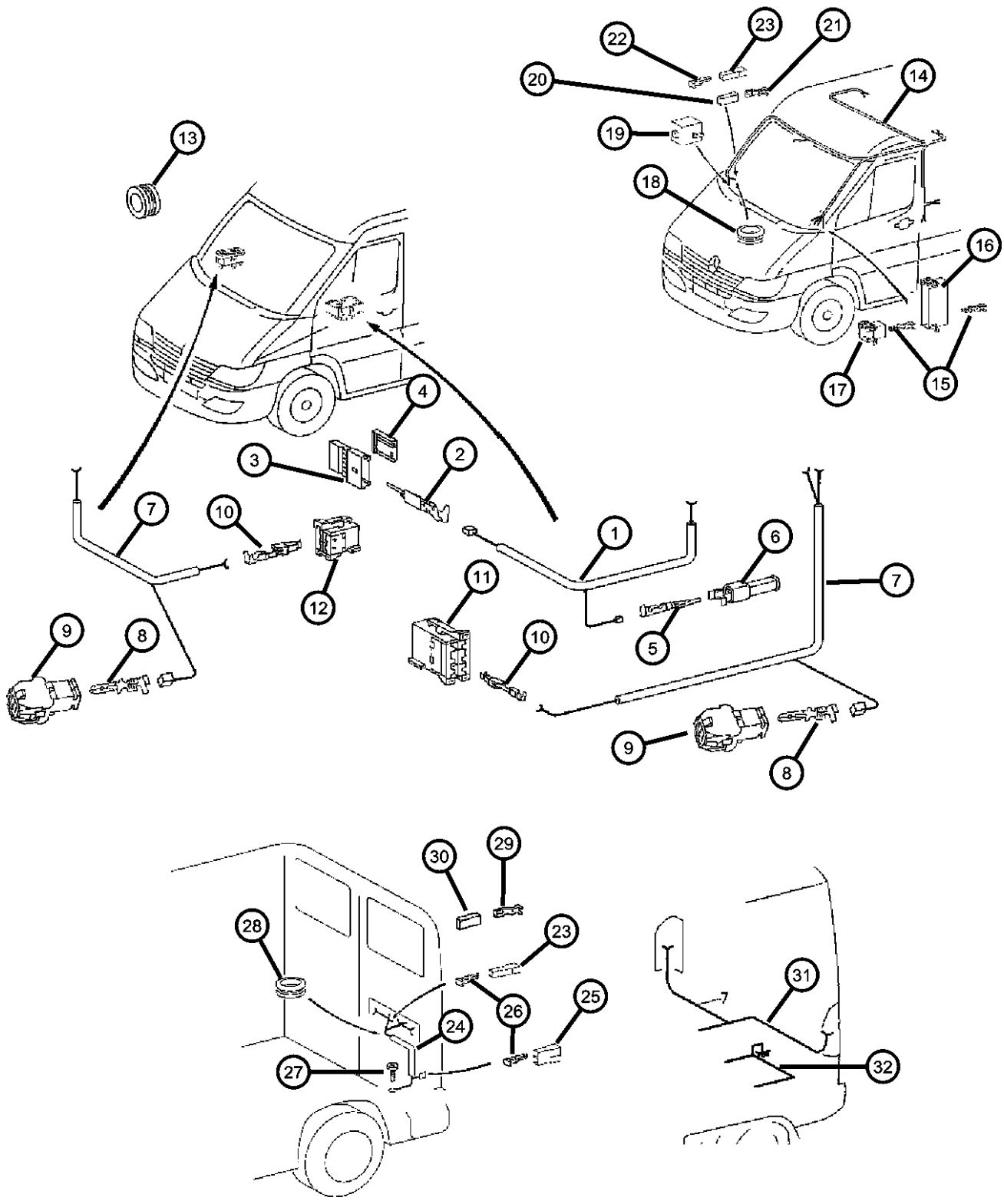
ITEM	PART NUMBER	QTY	LINE	SERIES	BODY	ENGINE	TRANS	TRIM	DESCRIPTION
20	05120684AA	1	2, 6	L	51, 52, 54, 55, 56	EX8	DGJ		CONNECTOR
		1	3, 7	L	02, 06	EX8	DGJ		
		1	3, 7	L	12, 15, 16	EX8	DGJ		
		1	2, 6	L	01, 02, 06	EX8	DGJ		
		1	2, 6	L	11, 12, 14, 15, 16	EX8	DGJ		
		1	2, 6	L	51, 52, 54, 55, 56	EX8	DGJ		
21	05103871AA	1	3, 7	L	02, 06	EX8	DGJ		TERMINAL, Female
		1	3, 7	L	12, 15, 16	EX8	DGJ		
		1	2, 6	L	01, 02, 06	EX8	DGJ		
		1	2, 6	L	11, 12, 14, 15, 16	EX8	DGJ		
		1	2, 6	L	51, 52, 54, 55, 56	EX8	DGJ		
		1	3, 7	L	02, 06	EX8	DGJ		
22	05133358AA	99	3, 7	L	12, 15, 16	EX8	DGJ		TERMINAL, Male
		1	2, 6	L	01, 02, 06	EX8	DGJ		
		1	2, 6	L	11, 12, 14, 15, 16	EX8	DGJ		
		1	2, 6	L	51, 52, 54, 55, 56	EX8	DGJ		
		1	3, 7	L	02, 06	EX8	DGJ		
		1	3, 7	L	12, 15, 16	EX8	DGJ		
23	05120685AA	1	2, 6	L	01, 02, 06	EX8	DGJ		INSULATOR
		2	2, 6	L	11, 12, 14, 15, 16	EX8	DGJ		
		2	2, 6	L	11, 12, 14, 15, 16	EX8	DGJ		

SPRINTER (VA)

SERIES	LINE	BODY	ENGINE	TRANSMISSION
L = LOWLINE	3 = HD DODGE 2WD 8 = HD DODGE 4WD 6 = Lt. Duty DODGE 4WD 2 = Med. Duty DODGE 2WD 7 = Med. Duty DODGE 4WD 4 = TRUCK	12 = Van 140" 51 = Wagon 118" 52 = Wagon 140" 14 = Van 118" 15 = Van 140" 16 = Van 158" 54 = Wagon 118" 55 = Wagon 140" 56 = Wagon 158" 01 = Chassis Forward Control 118" 02 = Chassis Forward Control 140" 06 = Front Section 158" 11 = Van 118"	EX8 = Engine - 2.7L I5 Mercedes-Benz TD	DGJ = Transmission - 5-Spd Auto, MB

AR = use ase required - = Non illustrated part

Wiring - Body & Accessories
Figure 8-1505



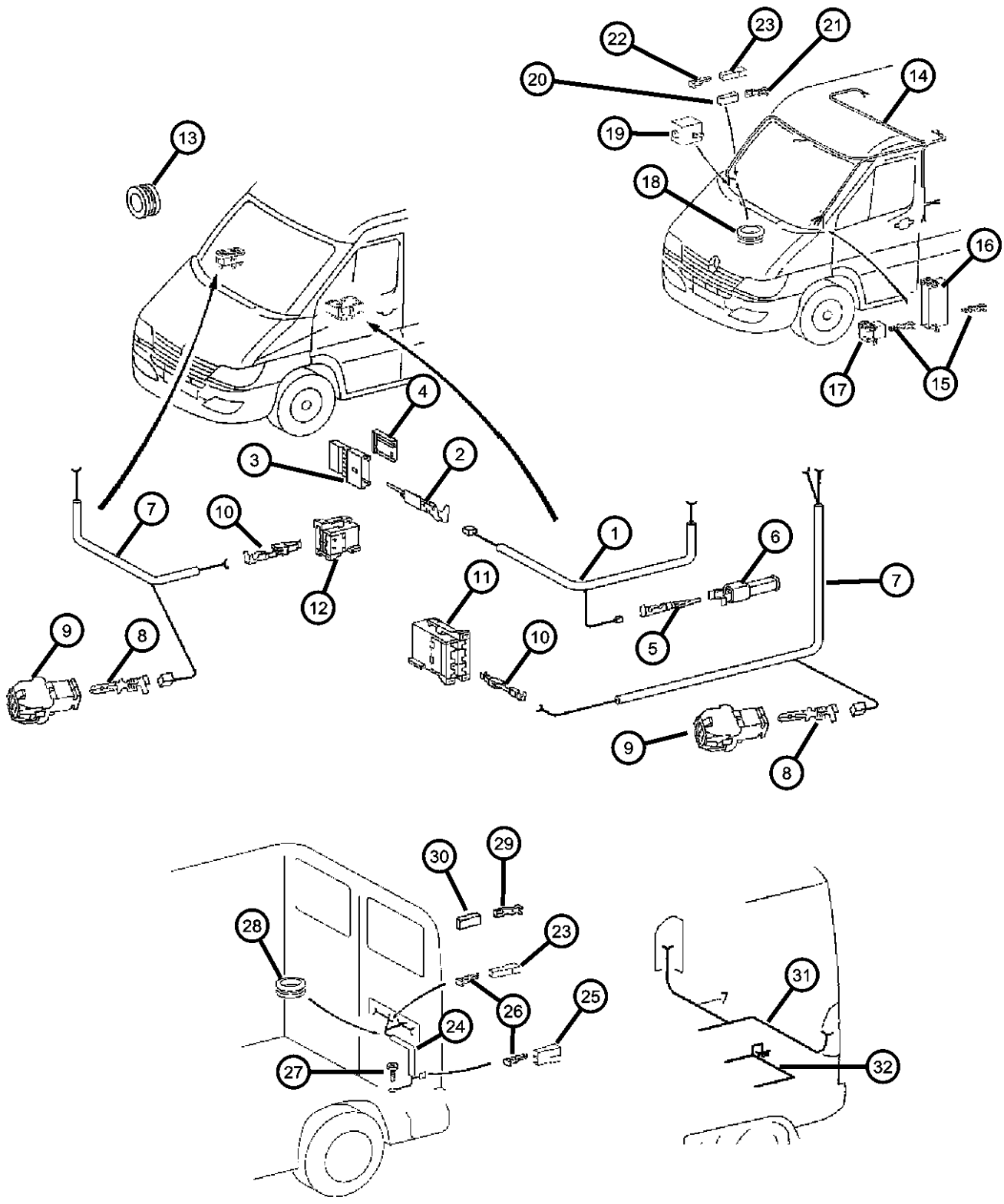
ITEM	PART NUMBER	QTY	LINE	SERIES	BODY	ENGINE	TRANS	TRIM	DESCRIPTION
24	05129584AA	2	2, 6	L	51, 52, 54, 55, 56	EX8	DGJ		WIRING, Rear Door
		1	3, 7	L	02, 06	EX8	DGJ		
		2	3, 7	L	12, 15, 16	EX8	DGJ		
25	05103751AA	1	2, 6	L	11, 12, 14, 15, 16	EX8	DGJ		CONNECTOR
		1	2, 6	L	51, 52, 54, 55, 56	EX8	DGJ		
26	05103798AA	1	2, 6	L	01, 02, 06	EX8	DGJ		TERMINAL, Male
		99	2, 6	L	11, 12, 14, 15, 16	EX8	DGJ		
		99	2, 6	L	51, 52, 54, 55, 56	EX8	DGJ		
		1	3, 7	L	02, 06	EX8	DGJ		
27	05132835AA	99	3, 7	L	12, 15, 16	EX8	DGJ		SCREW, Tapping
		1	2, 6	L	11, 12, 14, 15, 16				
		1	2, 6	L	51, 52, 54, 55, 56				
28	05133935AA	1	2, 6	L	01, 02, 06	EX8	DGJ		GROMMET, Door Wiring

SPRINTER (VA)

SERIES	LINE	BODY	ENGINE	TRANSMISSION
L = LOWLINE	3 = HD DODGE 2WD 8 = HD DODGE 4WD 6 = Lt. Duty DODGE 4WD 2 = Med. Duty DODGE 2WD 7 = Med. Duty DODGE 4WD 4 = TRUCK	12 = Van 140" 51 = Wagon 118" 52 = Wagon 140" 14 = Van 118" 15 = Van 140" 16 = Van 158" 54 = Wagon 118" 55 = Wagon 140" 56 = Wagon 158" 01 = Chassis Forward Control 118" 02 = Chassis Forward Control 140" 06 = Front Section 158" 11 = Van 118"	EX8 = Engine - 2.7L I5 Mercedes-Benz TD	DGJ = Transmission - 5-Spd Auto, MB

AR = use ase required - = Non illustrated part

Wiring - Body & Accessories
Figure 8-1505



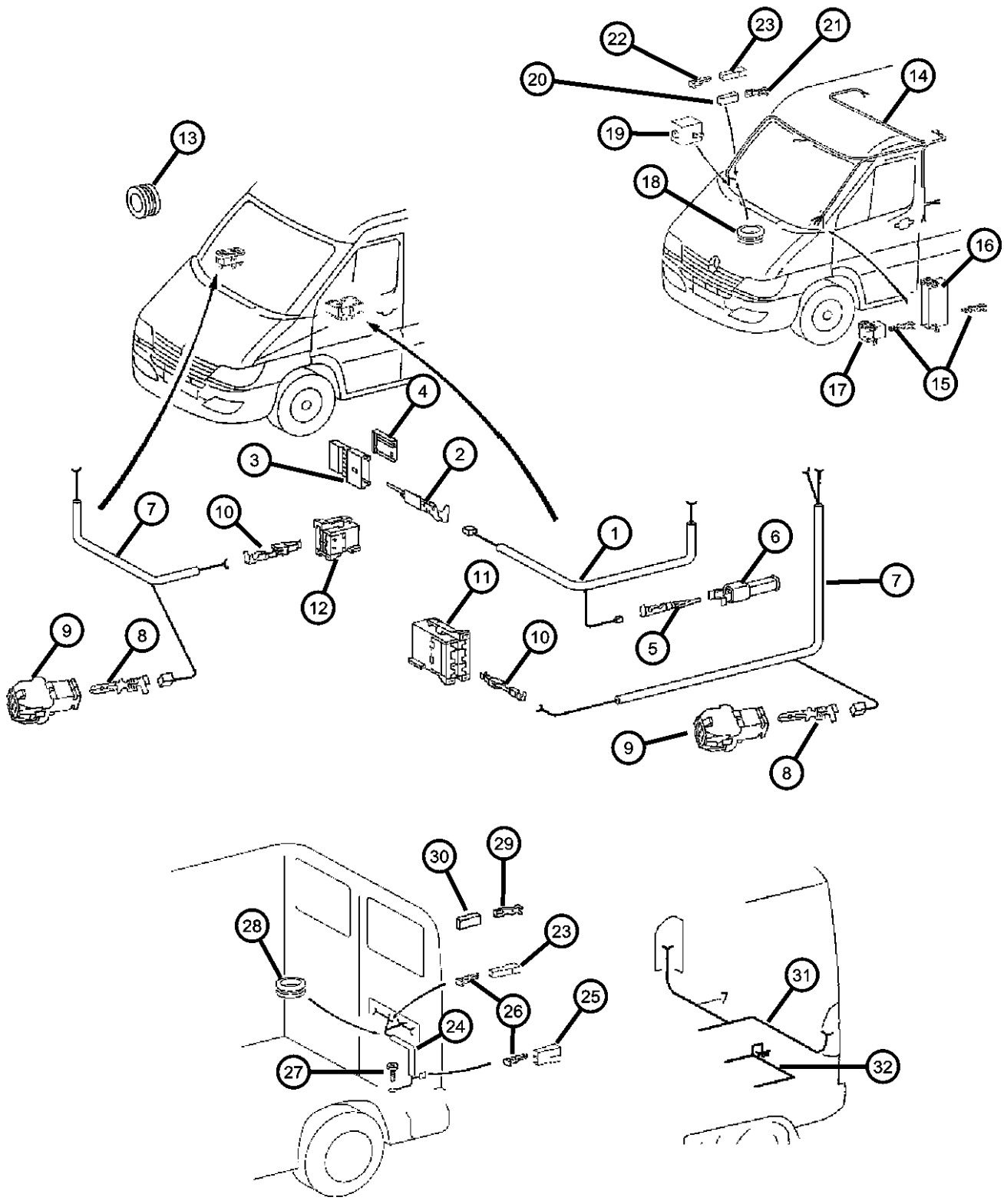
ITEM	PART NUMBER	QTY	LINE	SERIES	BODY	ENGINE	TRANS	TRIM	DESCRIPTION
29	05120684AA	1	2, 6	L	11, 12, 14, 15, 16	EX8	DGJ		CONNECTOR
		1	2, 6	L	51, 52, 54, 55, 56	EX8	DGJ		
		2	3, 7	L	12, 15, 16	EX8	DGJ		
		1	2, 6	L	01, 02, 06	EX8	DGJ		
		1	2, 6	L	11, 12, 14, 15, 16	EX8	DGJ		
		1	2, 6	L	51, 52, 54, 55, 56	EX8	DGJ		
30	05114451AA	1	3, 7	L	02, 06	EX8	DGJ		TERMINAL, Female
		1	3, 7	L	12, 15, 16	EX8	DGJ		
		99	2, 6	L	01, 02, 06	EX8	DGJ		
		99	2, 6	L	51, 52, 54, 55, 56	EX8	DGJ		
		99	3, 7	L	02, 06	EX8	DGJ		
31	05133399AB	1	3, 7	L	12, 15, 16	EX8	DGJ		WIRING, Rear Body
		1	2, 6	L	11, 12, 14, 15, 16	EX8	DGJ		
		1	2, 6	L	51, 52, 54, 55, 56	EX8	DGJ		
		1	3, 7	L	12, 15, 16	EX8	DGJ		
		1	2, 6	L	11, 12, 14, 15, 16	EX8	DGJ		
32	05133400AA	1	2, 6	L	01, 02, 06	EX8	DGJ		WIRING, Trailer Tow
		1	2, 6	L	11, 12, 14, 15, 16	EX8	DGJ		
		1	2, 6	L	51, 52, 54, 55, 56	EX8	DGJ		

SPRINTER (VA)

SERIES	LINE	BODY	ENGINE	TRANSMISSION
L = LOWLINE	3 = HD DODGE 2WD 8 = HD DODGE 4WD 6 = Lt. Duty DODGE 4WD 2 = Med. Duty DODGE 2WD 7 = Med. Duty DODGE 4WD 4 = TRUCK	12 = Van 140" 51 = Wagon 118" 52 = Wagon 140" 14 = Van 118" 15 = Van 140" 16 = Van 158" 54 = Wagon 118" 55 = Wagon 140" 56 = Wagon 158" 01 = Chassis Forward Control 118" 02 = Chassis Forward Control 140" 06 = Front Section 158" 11 = Van 118"	EX8 = Engine - 2.7L I5 Mercedes-Benz TD	DGJ = Transmission - 5-Spd Auto, MB

AR = use ase required - = Non illustrated part

Wiring - Body & Accessories
Figure 8-1505



ITEM	PART NUMBER	QTY	LINE	SERIES	BODY	ENGINE	TRANS	TRIM	DESCRIPTION
------	-------------	-----	------	--------	------	--------	-------	------	-------------

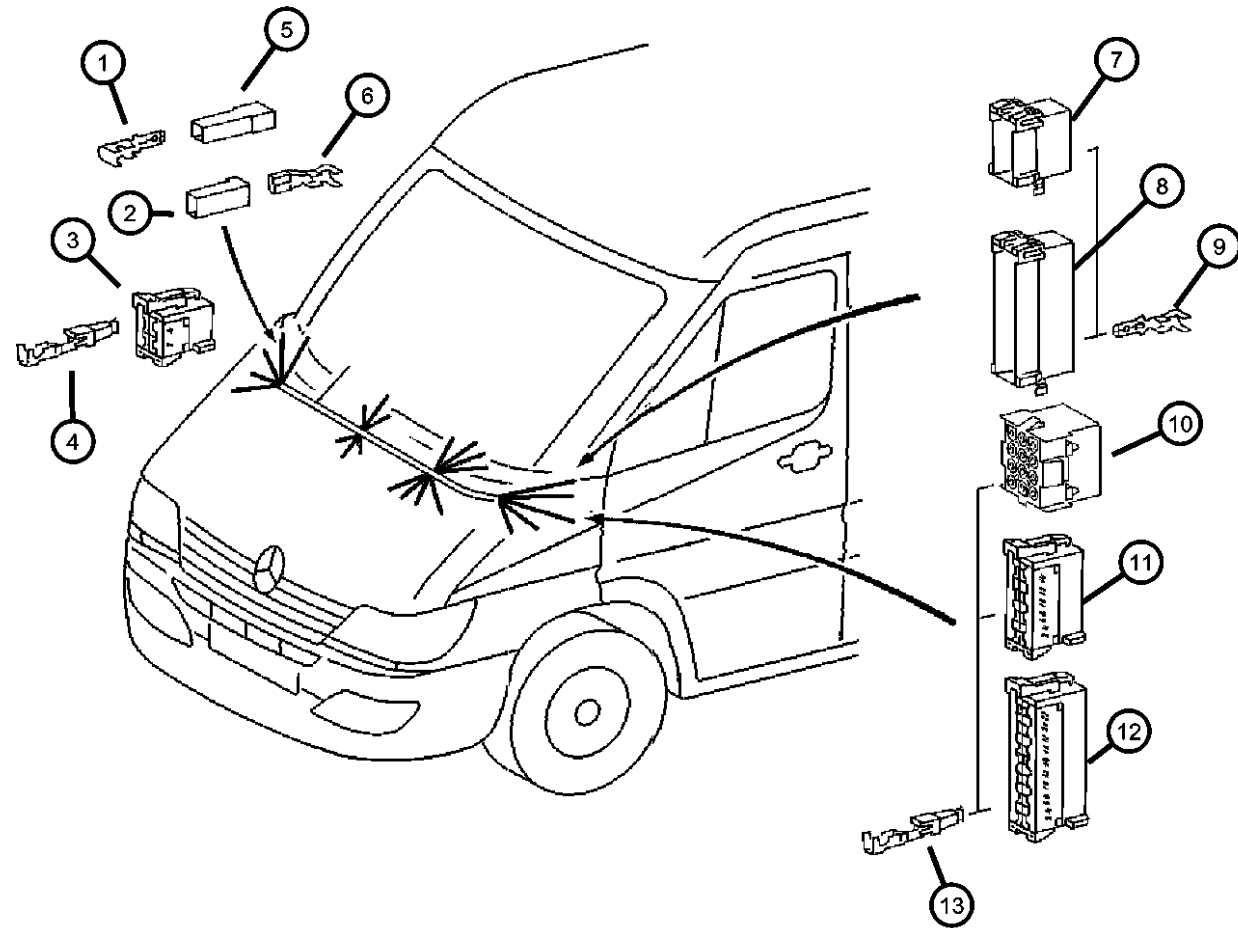
		1	3, 7	L	02, 06	EX8	DGJ		
		1	3, 7	L	12, 15, 16	EX8	DGJ		

SPRINTER (VA)

SERIES	LINE	BODY	ENGINE	TRANSMISSION
L = LOWLINE	3 = HD DODGE 2WD	12 = Van 140"	EX8 = Engine - 2.7L I5	DGJ = Transmission - 5-Spd Auto, MB
	8 = HD DODGE 4WD	51 = Wagon 118"	Mercedes-Benz TD	
	6 = Lt. Duty DODGE 4WD	52 = Wagon 140"		
	2 = Med. Duty DODGE 2WD	14 = Van 118"		
	7 = Med. Duty DODGE 4WD	15 = Van 140"		
	4 = TRUCK	16 = Van 158"		
		54 = Wagon 118"		
		55 = Wagon 140"		
		56 = Wagon 158"		
		01 = Chassis Forward Control 118"		
		02 = Chassis Forward Control 140"		
		06 = Front Section 158"		
		11 = Van 118"		

AR = use ase required - = Non illustrated part

**Connectors Engine Compartment
Figure 8-1605**



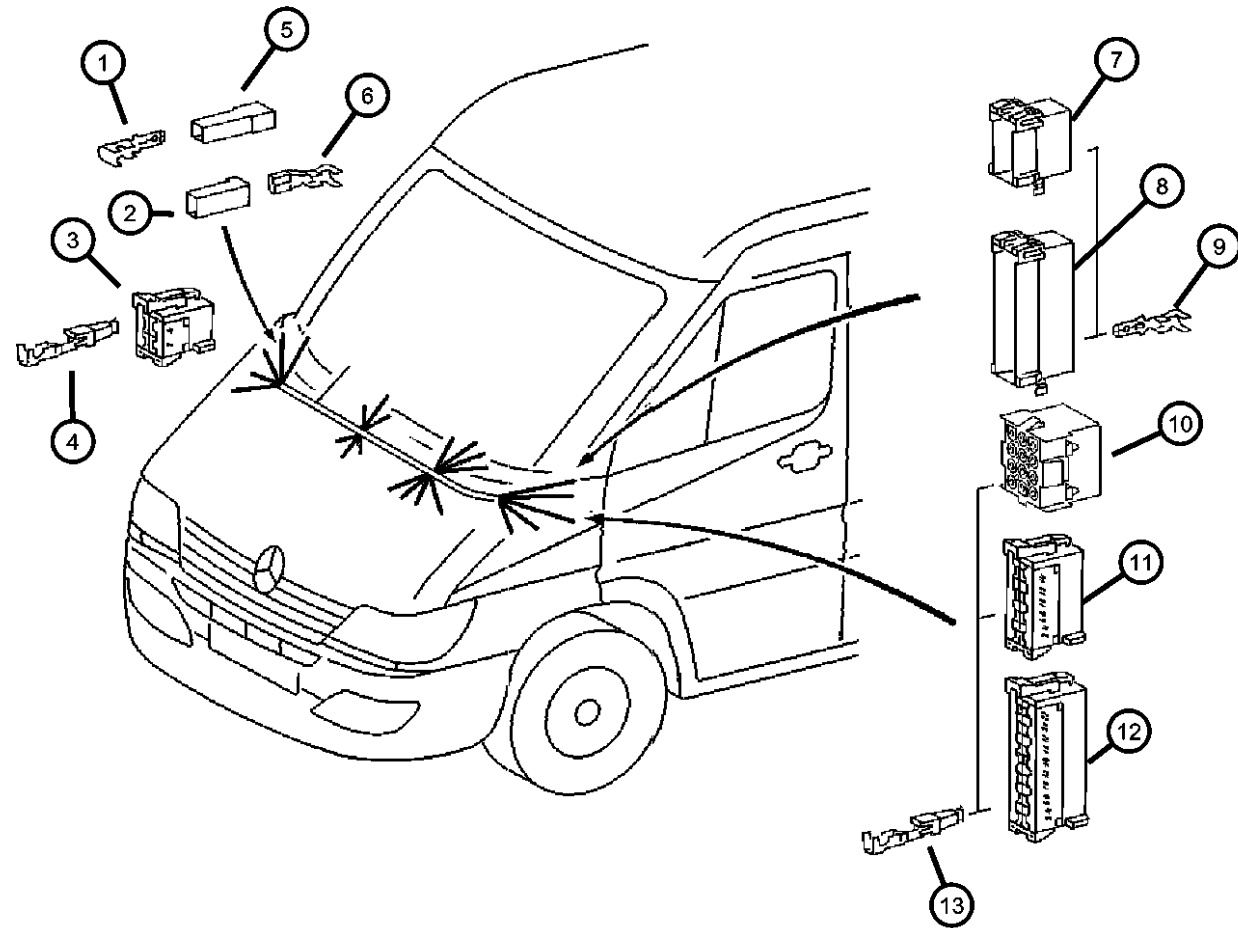
ITEM	PART NUMBER	QTY	LINE	SERIES	BODY	ENGINE	TRANS	TRIM	DESCRIPTION
1	05133391AA	99	2, 6	L	01, 02, 06	EX8	DGJ		TERMINAL, Male
		99	2, 6	L	11, 12, 14, 15, 16	EX8	DGJ		
		99	2, 6	L	51, 52, 54, 55, 56	EX8	DGJ		
		99	3, 7	L	02, 06	EX8	DGJ		
		99	3, 7	L	12, 15, 16	EX8	DGJ		
2	05120684AA	1	2, 6	L	01, 02, 06	EX8	DGJ		CONNECTOR
		1	2, 6	L	11, 12, 14, 15, 16	EX8	DGJ		
		1	2, 6	L	51, 52, 54, 55, 56	EX8	DGJ		
		1	3, 7	L	02, 06	EX8	DGJ		
		1	3, 7	L	12, 15, 16	EX8	DGJ		
3	05103882AA	99	2, 6	L	01, 02, 06	EX8	DGJ		TERMINAL
		1	2, 6	L	11, 12, 14, 15, 16	EX8	DGJ		
		1	2, 6	L	51, 52, 54, 55, 56	EX8	DGJ		
		1	3, 7	L	02, 06	EX8	DGJ		
		1	3, 7	L	12, 15, 16	EX8	DGJ		
4	05120785AA	1	2, 6	L	01, 02, 06	EX8	DGJ		CONNECTOR
		1	2, 6	L	11, 12, 14, 15, 16	EX8	DGJ		
		1	2, 6	L	51, 52, 54, 55, 56	EX8	DGJ		
		1	3, 7	L	02, 06	EX8	DGJ		
		1	3, 7	L	12, 15, 16	EX8	DGJ		
5								INSULATOR	

SPRINTER (VA)

SERIES	LINE	BODY	ENGINE	TRANSMISSION
L = LOWLINE	3 = HD DODGE 2WD 8 = HD DODGE 4WD 6 = Lt. Duty DODGE 4WD 2 = Med. Duty DODGE 2WD 7 = Med. Duty DODGE 4WD 4 = TRUCK	12 = Van 140" 51 = Wagon 118" 52 = Wagon 140" 14 = Van 118" 15 = Van 140" 16 = Van 158" 54 = Wagon 118" 55 = Wagon 140" 56 = Wagon 158" 01 = Chassis Forward Control 118" 02 = Chassis Forward Control 140" 06 = Front Section 158" 11 = Van 118"	EX8 = Engine - 2.7L I5 Mercedes-Benz TD	DGJ = Transmission - 5-Spd Auto, MB

AR = use ase required - = Non illustrated part

**Connectors Engine Compartment
Figure 8-1605**



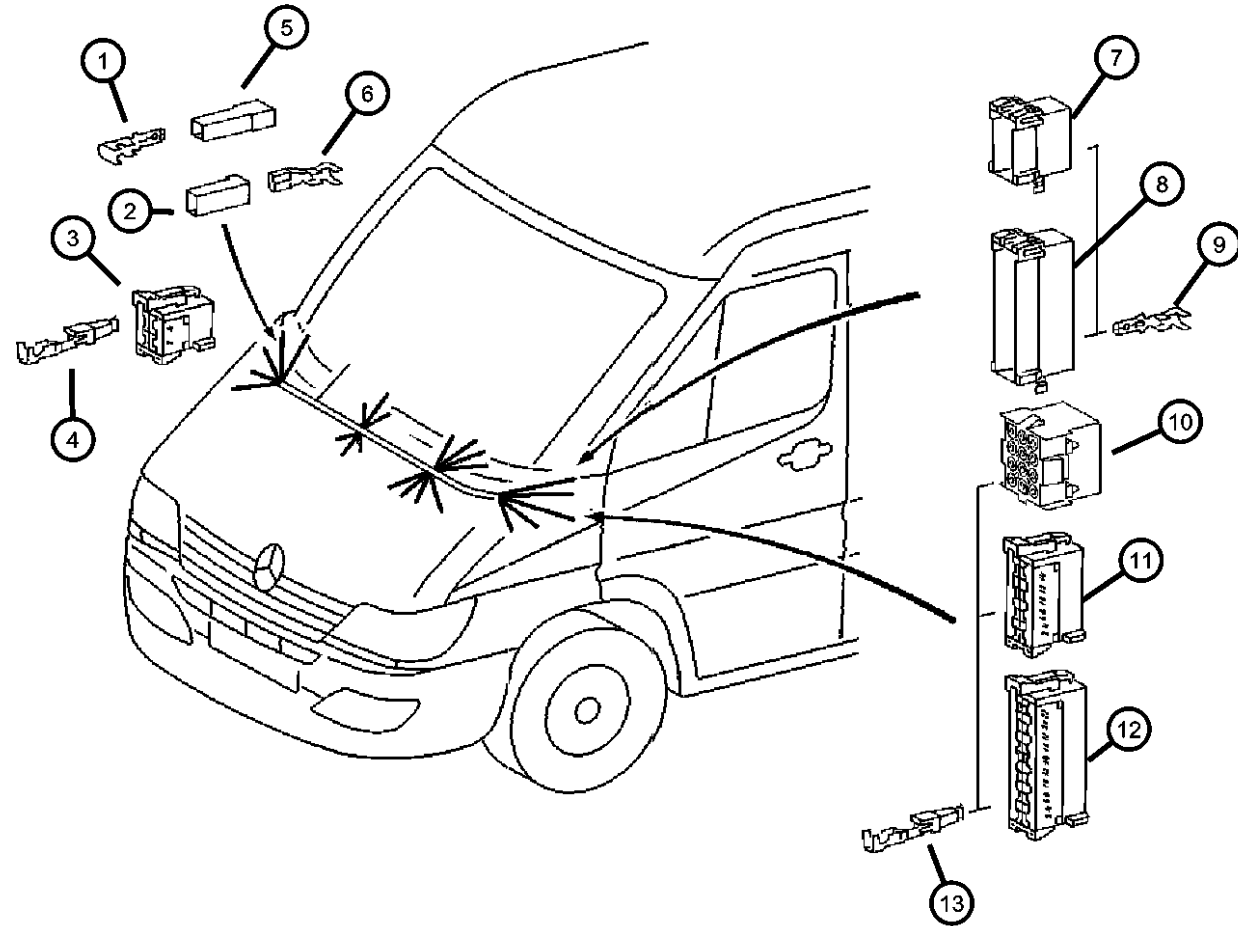
ITEM	PART NUMBER	QTY	LINE	SERIES	BODY	ENGINE	TRANS	TRIM	DESCRIPTION
	05120685AA	1	2, 6	L	01, 02, 06	EX8	DGJ		
		2	2, 6	L	11, 12, 14, 15, 16	EX8	DGJ		
		2	2, 6	L	51, 52, 54, 55, 56	EX8	DGJ		
		1	3, 7	L	02, 06	EX8	DGJ		
		2	3, 7	L	12, 15, 16	EX8	DGJ		
6									TERMINAL, Female
	05103871AA	99	2, 6	L	01, 02, 06	EX8	DGJ		
		1	2, 6	L	11, 12, 14, 15, 16	EX8	DGJ		
		1	2, 6	L	51, 52, 54, 55, 56	EX8	DGJ		
		1	3, 7	L	02, 06	EX8	DGJ		
		99	3, 7	L	12, 15, 16	EX8	DGJ		
7									INSULATOR
	05133393AA	1	2, 6	L	01, 02, 06	EX8	DGJ		
		1	2, 6	L	11, 12, 14, 15, 16	EX8	DGJ		
		1	2, 6	L	51, 52, 54, 55, 56	EX8	DGJ		
		1	3, 7	L	02, 06	EX8	DGJ		
		1	3, 7	L	12, 15, 16	EX8	DGJ		
8									CONNECTOR
	05120793AA	1	2, 6	L	01, 02, 06	EX8	DGJ		
		1	2, 6	L	11, 12, 14, 15, 16	EX8	DGJ		
		1	2, 6	L	51, 52, 54, 55, 56	EX8	DGJ		
		1	3, 7	L	02, 06	EX8	DGJ		
		1	3, 7	L	12, 15, 16	EX8	DGJ		
9									TERMINAL, Male

SPRINTER (VA)

SERIES	LINE	BODY	ENGINE	TRANSMISSION
L = LOWLINE	3 = HD DODGE 2WD 8 = HD DODGE 4WD 6 = Lt. Duty DODGE 4WD 2 = Med. Duty DODGE 2WD 7 = Med. Duty DODGE 4WD 4 = TRUCK	12 = Van 140" 51 = Wagon 118" 52 = Wagon 140" 14 = Van 118" 15 = Van 140" 16 = Van 158" 54 = Wagon 118" 55 = Wagon 140" 56 = Wagon 158" 01 = Chassis Forward Control 118" 02 = Chassis Forward Control 140" 06 = Front Section 158" 11 = Van 118"	EX8 = Engine - 2.7L I5 Mercedes-Benz TD	DGJ = Transmission - 5-Spd Auto, MB

AR = use ase required - = Non illustrated part

**Connectors Engine Compartment
Figure 8-1605**



ITEM	PART NUMBER	QTY	LINE	SERIES	BODY	ENGINE	TRANS	TRIM	DESCRIPTION
	05133371AA	1	2, 6	L	01, 02, 06	EX8	DGJ		
		1	2, 6	L	11, 12, 14, 15, 16	EX8	DGJ		
		1	2, 6	L	51, 52, 54, 55, 56	EX8	DGJ		
		1	3, 7	L	02, 06	EX8	DGJ		
		1	3, 7	L	12, 15, 16	EX8	DGJ		
10									CONNECTOR
	05120675AA	1	2, 6	L	01, 02, 06	EX8	DGJ		
		1	2, 6	L	11, 12, 14, 15, 16	EX8	DGJ		
		1	2, 6	L	51, 52, 54, 55, 56	EX8	DGJ		
		1	3, 7	L	02, 06	EX8	DGJ		
		1	3, 7	L	12, 15, 16	EX8	DGJ		
11									CONNECTOR
	05120787AA	1	2, 6	L	01, 02, 06	EX8	DGJ		
		1	2, 6	L	11, 12, 14, 15, 16	EX8	DGJ		
		1	2, 6	L	51, 52, 54, 55, 56	EX8	DGJ		
		1	3, 7	L	02, 06	EX8	DGJ		
		1	3, 7	L	12, 15, 16	EX8	DGJ		
12									CONNECTOR
	05120789AA	1	2, 6	L	01, 02, 06	EX8	DGJ		
		1	2, 6	L	11, 12, 14, 15, 16	EX8	DGJ		
		1	2, 6	L	51, 52, 54, 55, 56	EX8	DGJ		
		1	3, 7	L	02, 06	EX8	DGJ		
		1	3, 7	L	12, 15, 16	EX8	DGJ		
13									TERMINAL

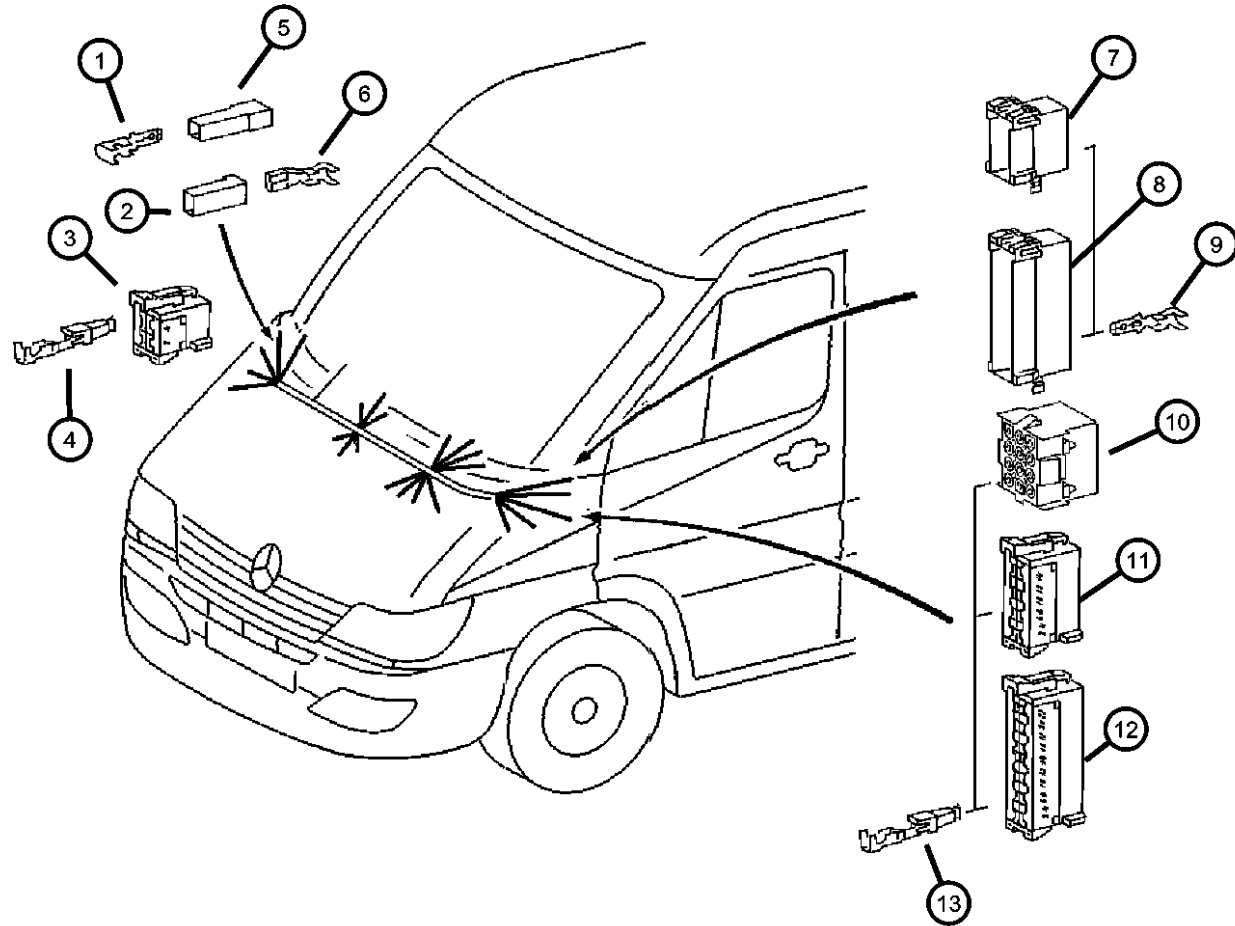
SPRINTER (VA)

SERIES	LINE	BODY	ENGINE	TRANSMISSION
L = LOWLINE	3 = HD DODGE 2WD	12 = Van 140"	EX8 = Engine - 2.7L I5	DGJ = Transmission - 5-Spd Auto, MB
	8 = HD DODGE 4WD	51 = Wagon 118"	Mercedes-Benz TD	
	6 = Lt. Duty DODGE 4WD	52 = Wagon 140"		
	2 = Med. Duty DODGE 2WD	14 = Van 118"		
	7 = Med. Duty DODGE 4WD	15 = Van 140"		
	4 = TRUCK	16 = Van 158"		
		54 = Wagon 118"		
		55 = Wagon 140"		
		56 = Wagon 158"		
		01 = Chassis Forward Control		
		118"		
		02 = Chassis Forward Control		
		140"		
		06 = Front Section 158"		
		11 = Van 118"		

AR = use ase required - = Non illustrated part

**Connectors Engine Compartment
Figure 8-1605**

ITEM	PART NUMBER	QTY	LINE	SERIES	BODY	ENGINE	TRANS	TRIM	DESCRIPTION
	05103881AA	99	2, 6	L	01, 02, 06	EX8	DGJ		
		99	2, 6	L	11, 12, 14, 15, 16	EX8	DGJ		
		99	2, 6	L	51, 52, 54, 55, 56	EX8	DGJ		
		99	3, 7	L	02, 06	EX8	DGJ		
		99	3, 7	L	12, 15, 16	EX8	DGJ		

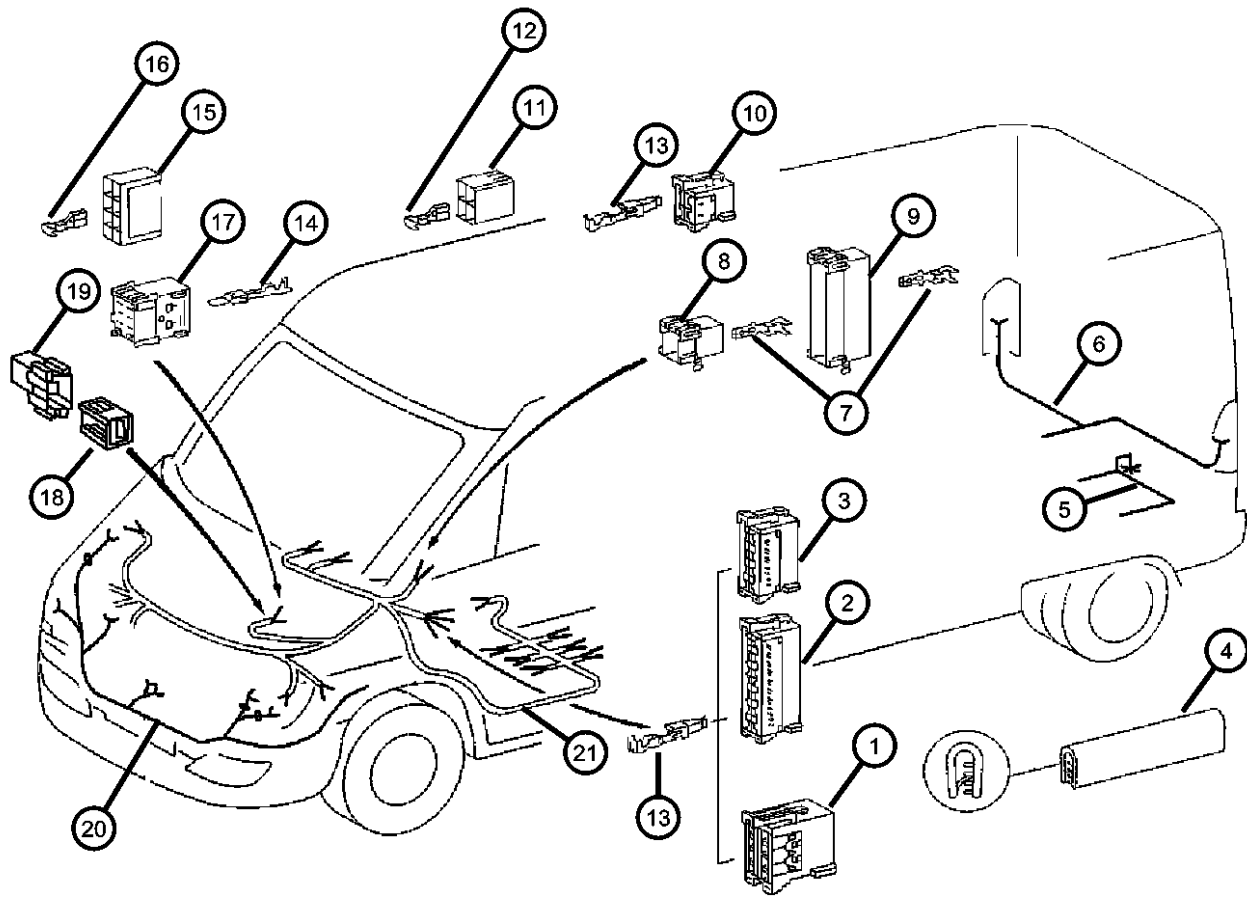


SPRINTER (VA)

SERIES	LINE	BODY	ENGINE	TRANSMISSION
L = LOWLINE	3 = HD DODGE 2WD 8 = HD DODGE 4WD 6 = Lt. Duty DODGE 4WD 2 = Med. Duty DODGE 2WD 7 = Med. Duty DODGE 4WD 4 = TRUCK	12 = Van 140" 51 = Wagon 118" 52 = Wagon 140" 14 = Van 118" 15 = Van 140" 16 = Van 158" 54 = Wagon 118" 55 = Wagon 140" 56 = Wagon 158" 01 = Chassis Forward Control 118" 02 = Chassis Forward Control 140" 06 = Front Section 158" 11 = Van 118"	EX8 = Engine - 2.7L I5 Mercedes-Benz TD	DGJ = Transmission - 5-Spd Auto, MB

AR = use ase required - = Non illustrated part

Connectors Body
Figure 8-1610



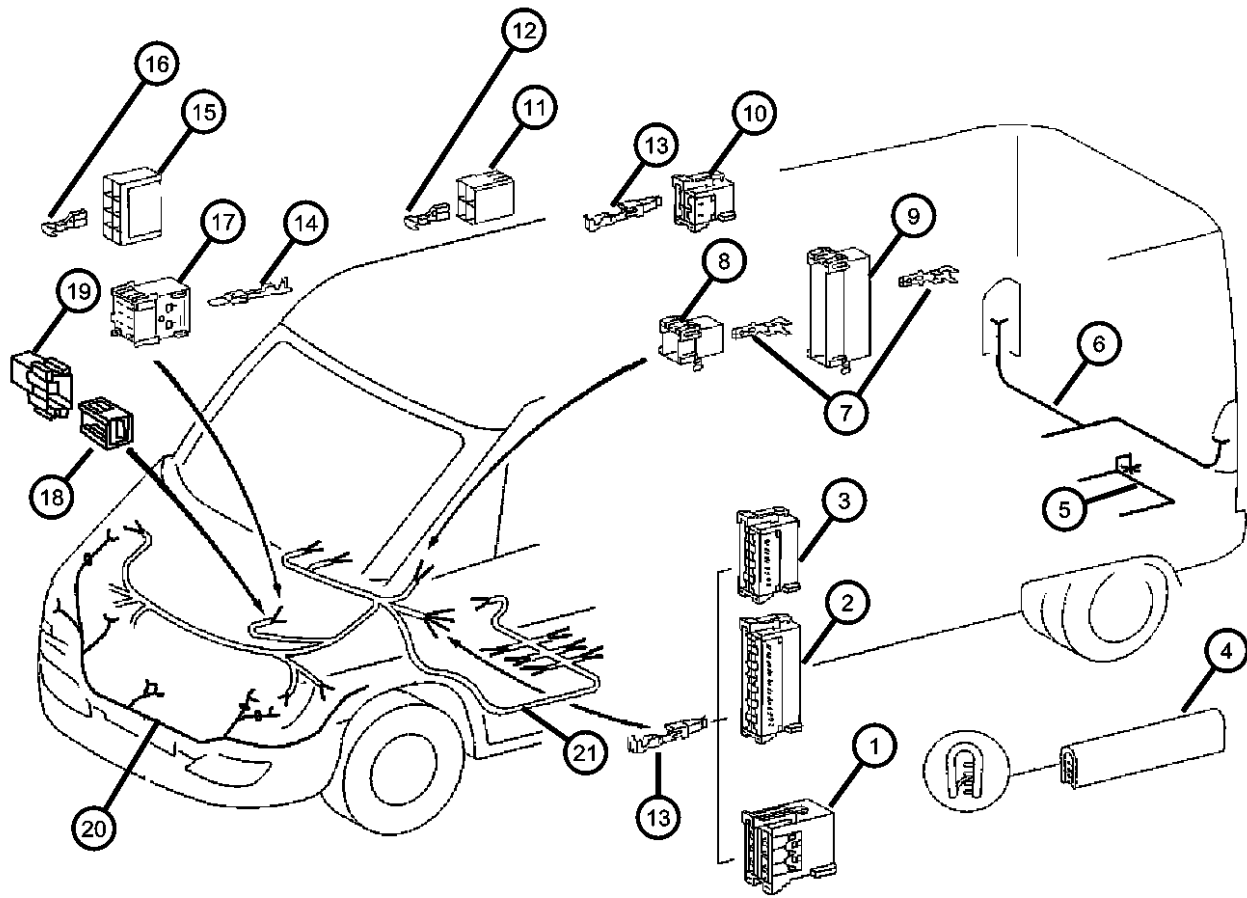
ITEM	PART NUMBER	QTY	LINE	SERIES	BODY	ENGINE	TRANS	TRIM	DESCRIPTION		
1	05120796AA	1	2, 6	L	01, 02, 06	EX8	DGJ		CONNECTOR		
		1	2, 6	L	11, 12, 14, 15, 16	EX8	DGJ				
		1	2, 6	L	51, 52, 54, 55, 56	EX8	DGJ				
		1	3, 7	L	02, 06	EX8	DGJ				
		1	3, 7	L	12, 15, 16	EX8	DGJ				
2	05120789AA	1	2, 6	L	01, 02, 06	EX8	DGJ		CONNECTOR		
		1	2, 6	L	11, 12, 14, 15, 16	EX8	DGJ				
		1	2, 6	L	51, 52, 54, 55, 56	EX8	DGJ				
		1	3, 7	L	02, 06	EX8	DGJ				
		1	3, 7	L	12, 15, 16	EX8	DGJ				
3	05120788AA	1	2, 6	L	01, 02, 06	EX8	DGJ		CONNECTOR		
		1	2, 6	L	11, 12, 14, 15, 16	EX8	DGJ				
		1	2, 6	L	51, 52, 54, 55, 56	EX8	DGJ				
		1	3, 7	L	02, 06	EX8	DGJ				
		1	3, 7	L	12, 15, 16	EX8	DGJ				
4	05132391AA	1	2, 6	L	12, 15	EX8	DGJ		PROTECTOR		
		2	2, 6	L	11, 14, 16	EX8	DGJ				
		1	2, 6	L	52, 55	EX8	DGJ				
		2	2, 6	L	51, 54, 56	EX8	DGJ				
		7	3, 7	L	16	EX8	DGJ				
		5	05133400AA	1	2, 6	L	01, 02, 06	EX8		DGJ	WIRING, Trailer Tow

SPRINTER (VA)

SERIES	LINE	BODY	ENGINE	TRANSMISSION
L = LOWLINE	3 = HD DODGE 2WD 8 = HD DODGE 4WD 6 = Lt. Duty DODGE 4WD 2 = Med. Duty DODGE 2WD 7 = Med. Duty DODGE 4WD 4 = TRUCK	12 = Van 140" 51 = Wagon 118" 52 = Wagon 140" 14 = Van 118" 15 = Van 140" 16 = Van 158" 54 = Wagon 118" 55 = Wagon 140" 56 = Wagon 158" 01 = Chassis Forward Control 118" 02 = Chassis Forward Control 140" 06 = Front Section 158" 11 = Van 118"	EX8 = Engine - 2.7L I5 Mercedes-Benz TD	DGJ = Transmission - 5-Spd Auto, MB

AR = use ase required - = Non illustrated part

**Connectors Body
Figure 8-1610**



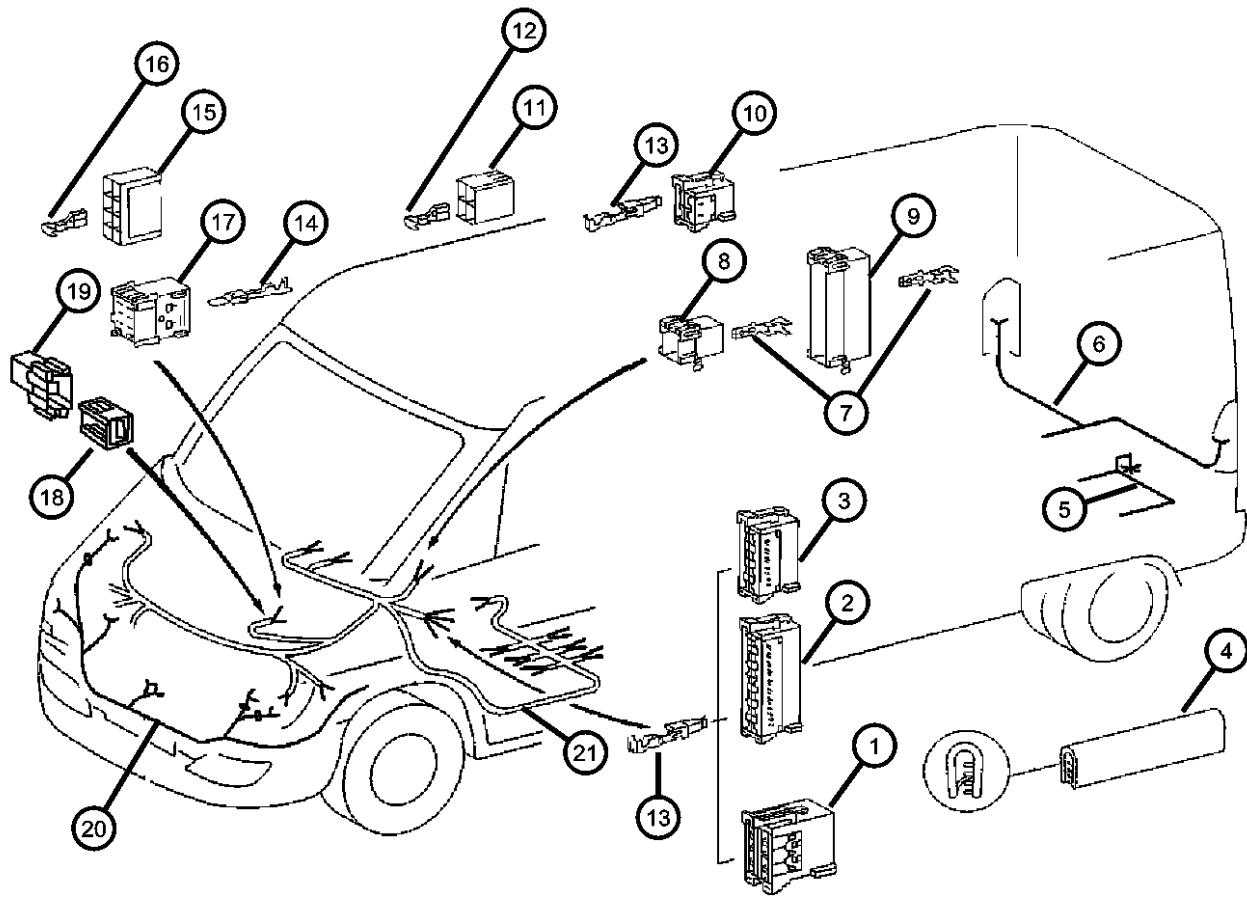
ITEM	PART NUMBER	QTY	LINE	SERIES	BODY	ENGINE	TRANS	TRIM	DESCRIPTION
6	05133399AB	1	2, 6	L	11, 12, 14, 15, 16	EX8	DGJ		WIRING, Rear Body
		1	2, 6	L	51, 52, 54, 55, 56	EX8	DGJ		
		1	3, 7	L	02, 06	EX8	DGJ		
		1	3, 7	L	12, 15, 16	EX8	DGJ		
7	05133377AA	1	2, 6	L	01, 02, 06	EX8	DGJ		TERMINAL, Male
		1	2, 6	L	11, 12, 14, 15, 16	EX8	DGJ		
		1	2, 6	L	51, 52, 54, 55, 56	EX8	DGJ		
		1	3, 7	L	02, 06	EX8	DGJ		
8	05120791AA	1	3, 7	L	12, 15, 16	EX8	DGJ		CONNECTOR
		1	2, 6	L	01, 02, 06	EX8	DGJ		
		1	2, 6	L	11, 12, 14, 15, 16	EX8	DGJ		
		1	2, 6	L	51, 52, 54, 55, 56	EX8	DGJ		
9	05120794AA	1	3, 7	L	02, 06	EX8	DGJ		CONNECTOR
		1	3, 7	L	12, 15, 16	EX8	DGJ		
		1	2, 6	L	01, 02, 06	EX8	DGJ		
		1	2, 6	L	11, 12, 14, 15, 16	EX8	DGJ		

SPRINTER (VA)

SERIES	LINE	BODY	ENGINE	TRANSMISSION
L = LOWLINE	3 = HD DODGE 2WD 8 = HD DODGE 4WD 6 = Lt. Duty DODGE 4WD 2 = Med. Duty DODGE 2WD 7 = Med. Duty DODGE 4WD 4 = TRUCK	12 = Van 140" 51 = Wagon 118" 52 = Wagon 140" 14 = Van 118" 15 = Van 140" 16 = Van 158" 54 = Wagon 118" 55 = Wagon 140" 56 = Wagon 158" 01 = Chassis Forward Control 118" 02 = Chassis Forward Control 140" 06 = Front Section 158" 11 = Van 118"	EX8 = Engine - 2.7L I5 Mercedes-Benz TD	DGJ = Transmission - 5-Spd Auto, MB

AR = use ase required - = Non illustrated part

**Connectors Body
Figure 8-1610**



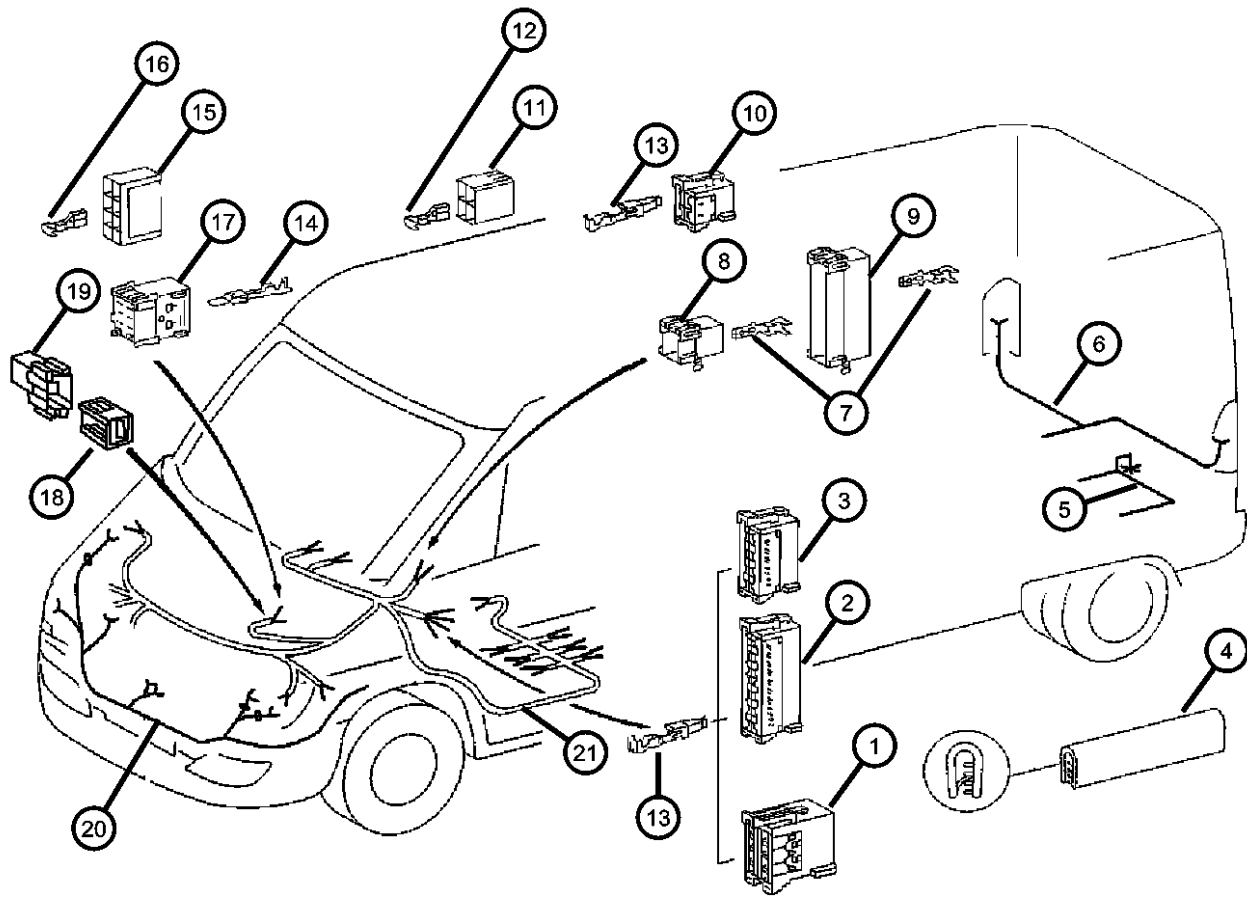
ITEM	PART NUMBER	QTY	LINE	SERIES	BODY	ENGINE	TRANS	TRIM	DESCRIPTION
		1	2, 6	L	51, 52, 54, 55, 56	EX8	DGJ		
		1	3, 7	L	02, 06	EX8	DGJ		
		1	3, 7	L	12, 15, 16	EX8	DGJ		
10									CONNECTOR
	05120785AA	1	2, 6	L	01, 02, 06	EX8	DGJ		
		1	2, 6	L	11, 12, 14, 15, 16	EX8	DGJ		
		1	2, 6	L	51, 52, 54, 55, 56	EX8	DGJ		
		1	3, 7	L	02, 06	EX8	DGJ		
		1	3, 7	L	12, 15, 16	EX8	DGJ		
11									CONNECTOR
	05103753AA	99	2, 6	L	01, 02, 06	EX8	DGJ		
		99	2, 6	L	11, 12, 14, 15, 16	EX8	DGJ		
		99	2, 6	L	51, 52, 54, 55, 56	EX8	DGJ		
		99	3, 7	L	02, 06	EX8	DGJ		
		99	3, 7	L	12, 15, 16	EX8	DGJ		
12									TERMINAL, Female
	05133360AA	99	2, 6	L	01, 02, 06	EX8	DGJ		
		99	2, 6	L	11, 12, 14, 15, 16	EX8	DGJ		
		99	2, 6	L	51, 52, 54, 55, 56	EX8	DGJ		
		99	3, 7	L	02, 06	EX8	DGJ		
		99	3, 7	L	12, 15, 16	EX8	DGJ		
13									TERMINAL
	05103881AA	99	2, 6	L	01, 02, 06	EX8	DGJ		
		99	2, 6	L	11, 12, 14, 15, 16	EX8	DGJ		

SPRINTER (VA)

SERIES	LINE	BODY	ENGINE	TRANSMISSION
L = LOWLINE	3 = HD DODGE 2WD 8 = HD DODGE 4WD 6 = Lt. Duty DODGE 4WD 2 = Med. Duty DODGE 2WD 7 = Med. Duty DODGE 4WD 4 = TRUCK	12 = Van 140" 51 = Wagon 118" 52 = Wagon 140" 14 = Van 118" 15 = Van 140" 16 = Van 158" 54 = Wagon 118" 55 = Wagon 140" 56 = Wagon 158" 01 = Chassis Forward Control 118" 02 = Chassis Forward Control 140" 06 = Front Section 158" 11 = Van 118"	EX8 = Engine - 2.7L I5 Mercedes-Benz TD	DGJ = Transmission - 5-Spd Auto, MB

AR = use ase required - = Non illustrated part

**Connectors Body
Figure 8-1610**



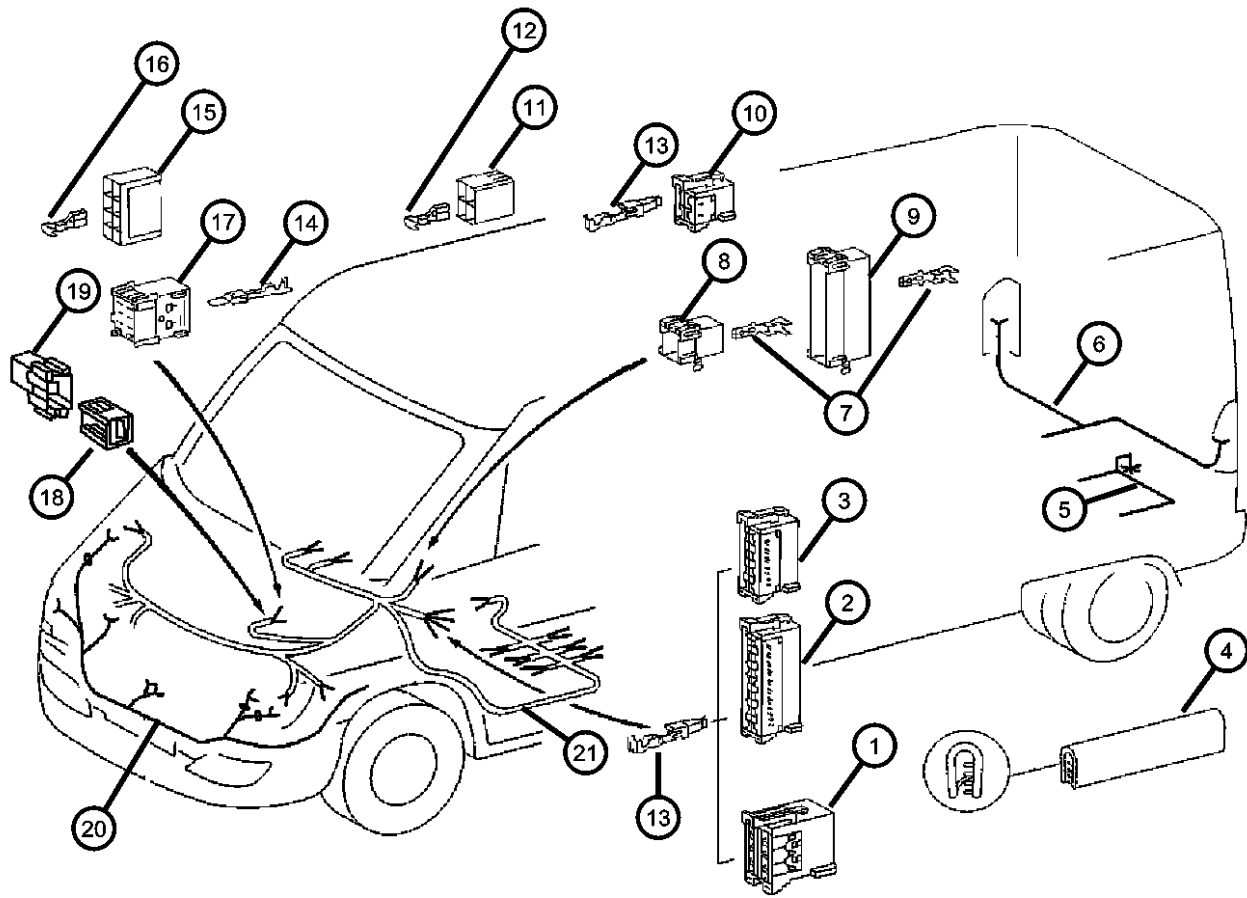
ITEM	PART NUMBER	QTY	LINE	SERIES	BODY	ENGINE	TRANS	TRIM	DESCRIPTION
		99	2, 6	L	51, 52, 54, 55, 56	EX8	DGJ		
		99	3, 7	L	02, 06	EX8	DGJ		
		99	3, 7	L	12, 15, 16	EX8	DGJ		
14									TERMINAL, Male
	05103909AA	1	2, 6	L	01, 02, 06	EX8	DGJ		
		1	2, 6	L	11, 12, 14, 15, 16	EX8	DGJ		
		1	2, 6	L	51, 52, 54, 55, 56	EX8	DGJ		
		1	3, 7	L	02, 06	EX8	DGJ		
		1	3, 7	L	12, 15, 16	EX8	DGJ		
15									CONNECTOR
	05103752AA	1	2, 6	L	01, 02, 06	EX8	DGJ		
		1	2, 6	L	11, 12, 14, 15, 16	EX8	DGJ		
		1	2, 6	L	51, 52, 54, 55, 56	EX8	DGJ		
		1	3, 7	L	02, 06	EX8	DGJ		
		1	3, 7	L	12, 15, 16	EX8	DGJ		
16									TERMINAL, Female
	05133359AA	1	2, 6	L	01, 02, 06	EX8	DGJ		
		1	2, 6	L	11, 12, 14, 15, 16	EX8	DGJ		
		1	2, 6	L	51, 52, 54, 55, 56	EX8	DGJ		
		1	3, 7	L	02, 06	EX8	DGJ		
		1	3, 7	L	12, 15, 16	EX8	DGJ		
17									INSULATOR, 6 Way Male
	05133327AA	1	2, 6	L	01, 02, 06	EX8	DGJ		
		1	2, 6	L	11, 12, 14, 15, 16	EX8	DGJ		

SPRINTER (VA)

SERIES	LINE	BODY	ENGINE	TRANSMISSION
L = LOWLINE	3 = HD DODGE 2WD 8 = HD DODGE 4WD 6 = Lt. Duty DODGE 4WD 2 = Med. Duty DODGE 2WD 7 = Med. Duty DODGE 4WD 4 = TRUCK	12 = Van 140" 51 = Wagon 118" 52 = Wagon 140" 14 = Van 118" 15 = Van 140" 16 = Van 158" 54 = Wagon 118" 55 = Wagon 140" 56 = Wagon 158" 01 = Chassis Forward Control 118" 02 = Chassis Forward Control 140" 06 = Front Section 158" 11 = Van 118"	EX8 = Engine - 2.7L I5 Mercedes-Benz TD	DGJ = Transmission - 5-Spd Auto, MB

AR = use ase required - = Non illustrated part

**Connectors Body
Figure 8-1610**



ITEM	PART NUMBER	QTY	LINE	SERIES	BODY	ENGINE	TRANS	TRIM	DESCRIPTION
		1	2, 6	L	51, 52, 54, 55, 56	EX8	DGJ		
		1	3, 7	L	02, 06	EX8	DGJ		
		1	3, 7	L	12, 15, 16	EX8	DGJ		
18	05133396AA	1	2, 6	L	01, 02, 06	EX8	DGJ		CONNECTOR, Wiring
		1	2, 6	L	11, 12, 14, 15, 16	EX8	DGJ		
		1	2, 6	L	51, 52, 54, 55, 56	EX8	DGJ		
		1	3, 7	L	02, 06	EX8	DGJ		
		1	3, 7	L	12, 15, 16	EX8	DGJ		
19	05133397AA	1	2, 6	L	01, 02, 06	EX8	DGJ		INSULATOR, 4 Way Male
		1	2, 6	L	11, 12, 14, 15, 16	EX8	DGJ		
		1	2, 6	L	51, 52, 54, 55, 56	EX8	DGJ		
		1	3, 7	L	02, 06	EX8	DGJ		
		1	3, 7	L	12, 15, 16	EX8	DGJ		
20	05133398AB	1	2, 6	L	01, 02, 06	EX8	DGJ		WIRING, Headlamp
		1	2, 6	L	11, 12, 14, 15, 16	EX8	DGJ		
		1	2, 6	L	51, 52, 54, 55, 56	EX8	DGJ		
		1	3, 7	L	02, 06	EX8	DGJ		
		1	3, 7	L	12, 15, 16	EX8	DGJ		
21	05114935AA	1	2, 6	L	01, 02, 06	EX8	DGJ		WIRING, Headlamp to Dash
		1	2, 6	L	11, 12, 14, 15, 16	EX8	DGJ		

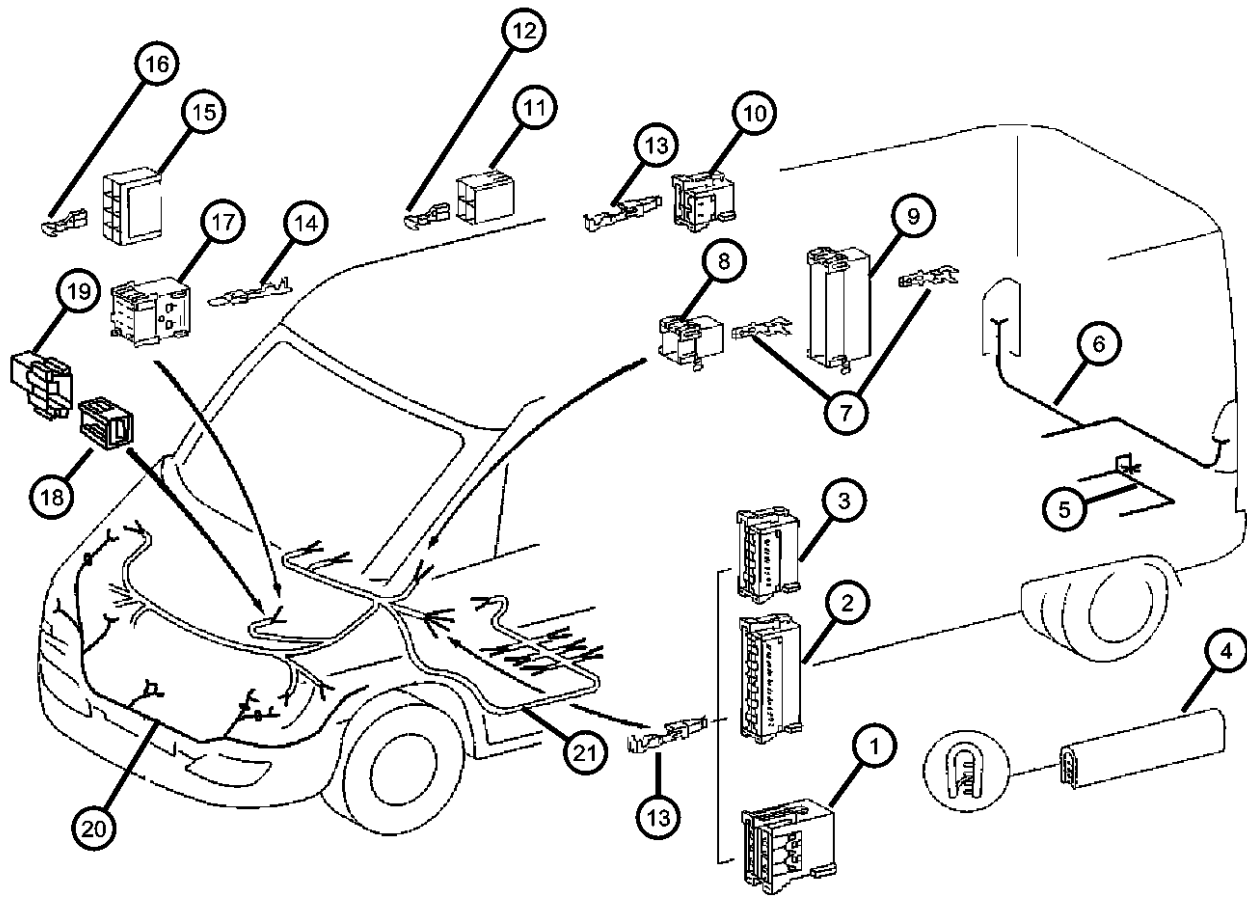
SPRINTER (VA)

SERIES	LINE	BODY	ENGINE	TRANSMISSION
L = LOWLINE	3 = HD DODGE 2WD 8 = HD DODGE 4WD 6 = Lt. Duty DODGE 4WD 2 = Med. Duty DODGE 2WD 7 = Med. Duty DODGE 4WD 4 = TRUCK	12 = Van 140" 51 = Wagon 118" 52 = Wagon 140" 14 = Van 118" 15 = Van 140" 16 = Van 158" 54 = Wagon 118" 55 = Wagon 140" 56 = Wagon 158" 01 = Chassis Forward Control 118" 02 = Chassis Forward Control 140" 06 = Front Section 158" 11 = Van 118"	EX8 = Engine - 2.7L I5 Mercedes-Benz TD	DGJ = Transmission - 5-Spd Auto, MB

AR = use ase required - = Non illustrated part

Connectors Body
Figure 8-1610

ITEM	PART NUMBER	QTY	LINE	SERIES	BODY	ENGINE	TRANS	TRIM	DESCRIPTION
		1	2, 6	L	51, 52, 54, 55, 56	EX8	DGJ		
		1	3, 7	L	02, 06	EX8	DGJ		
		1	3, 7	L	12, 15, 16	EX8	DGJ		

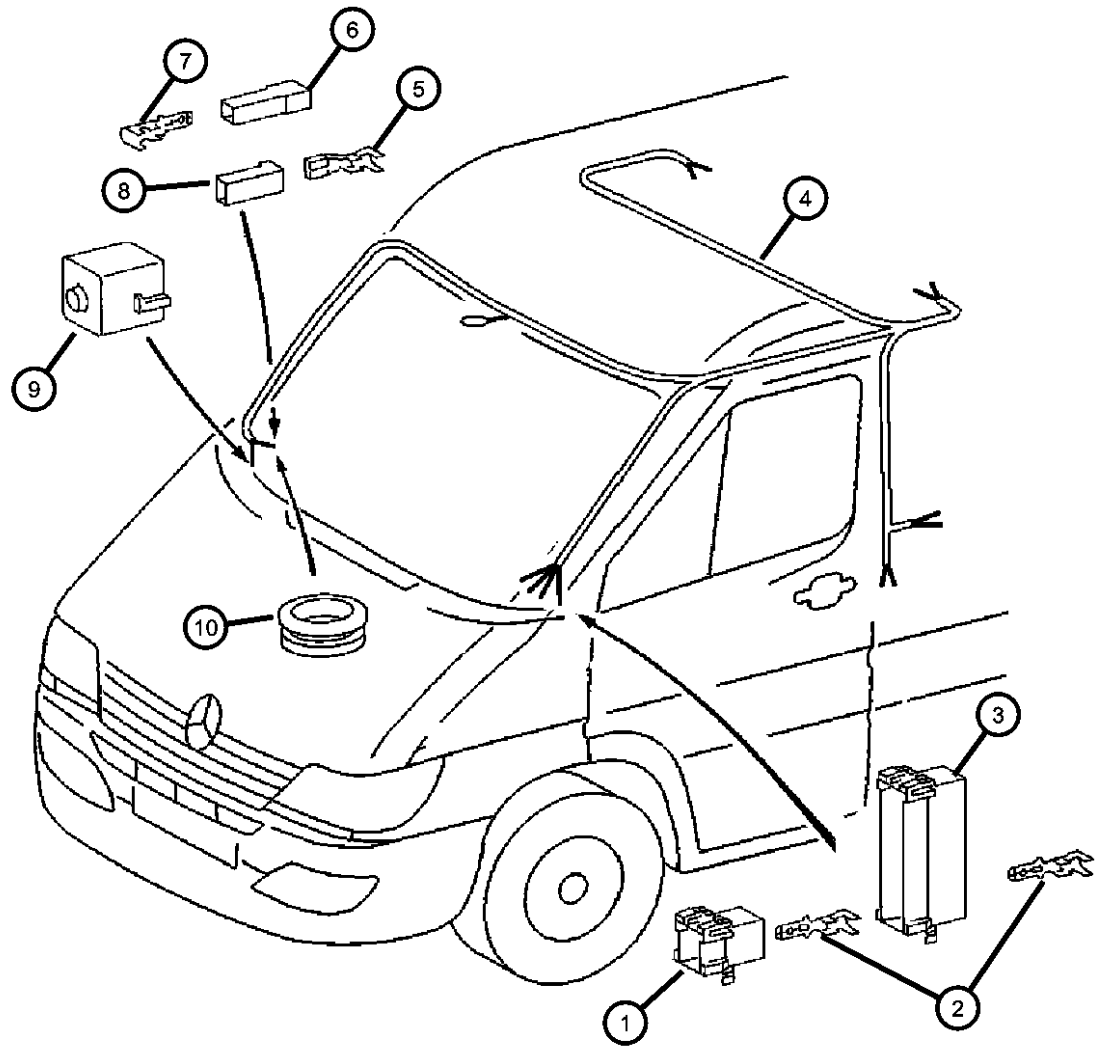


SPRINTER (VA)

SERIES	LINE	BODY	ENGINE	TRANSMISSION
L = LOWLINE	3 = HD DODGE 2WD 8 = HD DODGE 4WD 6 = Lt. Duty DODGE 4WD 2 = Med. Duty DODGE 2WD 7 = Med. Duty DODGE 4WD 4 = TRUCK	12 = Van 140" 51 = Wagon 118" 52 = Wagon 140" 14 = Van 118" 15 = Van 140" 16 = Van 158" 54 = Wagon 118" 55 = Wagon 140" 56 = Wagon 158" 01 = Chassis Forward Control 118" 02 = Chassis Forward Control 140" 06 = Front Section 158" 11 = Van 118"	EX8 = Engine - 2.7L I5 Mercedes-Benz TD	DGJ = Transmission - 5-Spd Auto, MB

AR = use ase required - = Non illustrated part

**Connectors Roof
Figure 8-1615**



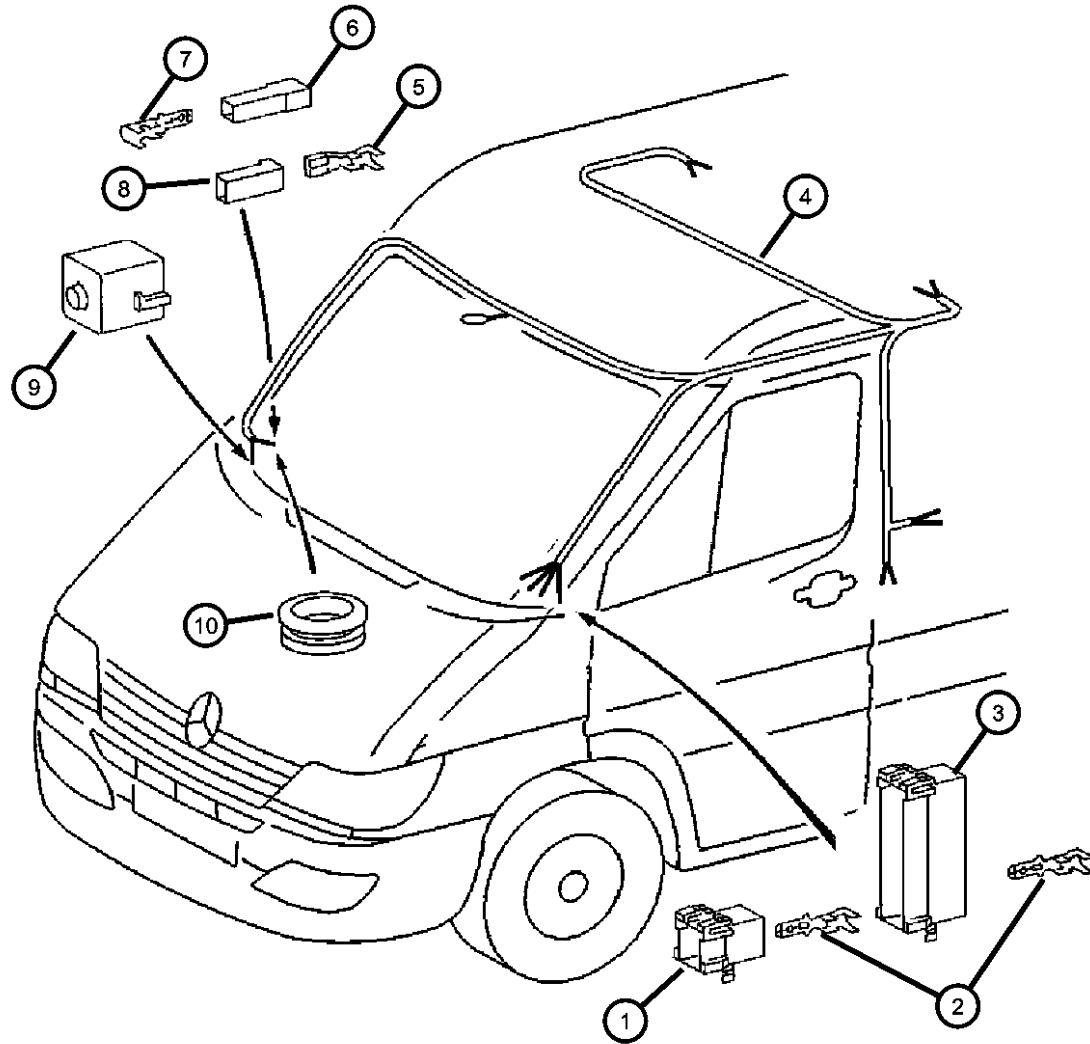
ITEM	PART NUMBER	QTY	LINE	SERIES	BODY	ENGINE	TRANS	TRIM	DESCRIPTION
1	05120791AA	1	2, 6	L	01, 02, 06	EX8	DGJ		CONNECTOR
		1	2, 6	L	11, 12, 14, 15, 16	EX8	DGJ		
		1	2, 6	L	51, 52, 54, 55, 56	EX8	DGJ		
		1	3, 7	L	02, 06	EX8	DGJ		
		1	3, 7	L	12, 15, 16	EX8	DGJ		
2	05133377AA	1	2, 6	L	01, 02, 06	EX8	DGJ		TERMINAL, Male
		1	2, 6	L	11, 12, 14, 15, 16	EX8	DGJ		Small
		1	2, 6	L	51, 52, 54, 55, 56	EX8	DGJ		Small
		1	3, 7	L	02, 06	EX8	DGJ		Small
		1	3, 7	L	12, 15, 16	EX8	DGJ		Small
		1	2, 6	L	01, 02, 06	EX8	DGJ		Large
		99	2, 6	L	11, 12, 14, 15, 16	EX8	DGJ		Large
		99	2, 6	L	51, 52, 54, 55, 56	EX8	DGJ		Large
		99	3, 7	L	02, 06	EX8	DGJ		Large
		99	3, 7	L	12, 15, 16	EX8	DGJ		Large
3	05120794AA	1	2, 6	L	01, 02, 06	EX8	DGJ		CONNECTOR
		1	2, 6	L	11, 12, 14, 15, 16	EX8	DGJ		
		1	2, 6	L	51, 52, 54, 55, 56	EX8	DGJ		
		1	3, 7	L	02, 06	EX8	DGJ		
		1	3, 7	L	12, 15, 16	EX8	DGJ		
4	05114931AA	1	2, 6	L	01, 02, 06	EX8	DGJ		WIRING, Body

SPRINTER (VA)

SERIES	LINE	BODY	ENGINE	TRANSMISSION
L = LOWLINE	3 = HD DODGE 2WD 8 = HD DODGE 4WD 6 = Lt. Duty DODGE 4WD 2 = Med. Duty DODGE 2WD 7 = Med. Duty DODGE 4WD 4 = TRUCK	12 = Van 140" 51 = Wagon 118" 52 = Wagon 140" 14 = Van 118" 15 = Van 140" 16 = Van 158" 54 = Wagon 118" 55 = Wagon 140" 56 = Wagon 158" 01 = Chassis Forward Control 118" 02 = Chassis Forward Control 140" 06 = Front Section 158" 11 = Van 118"	EX8 = Engine - 2.7L I5 Mercedes-Benz TD	DGJ = Transmission - 5-Spd Auto, MB

AR = use ase required - = Non illustrated part

**Connectors Roof
Figure 8-1615**



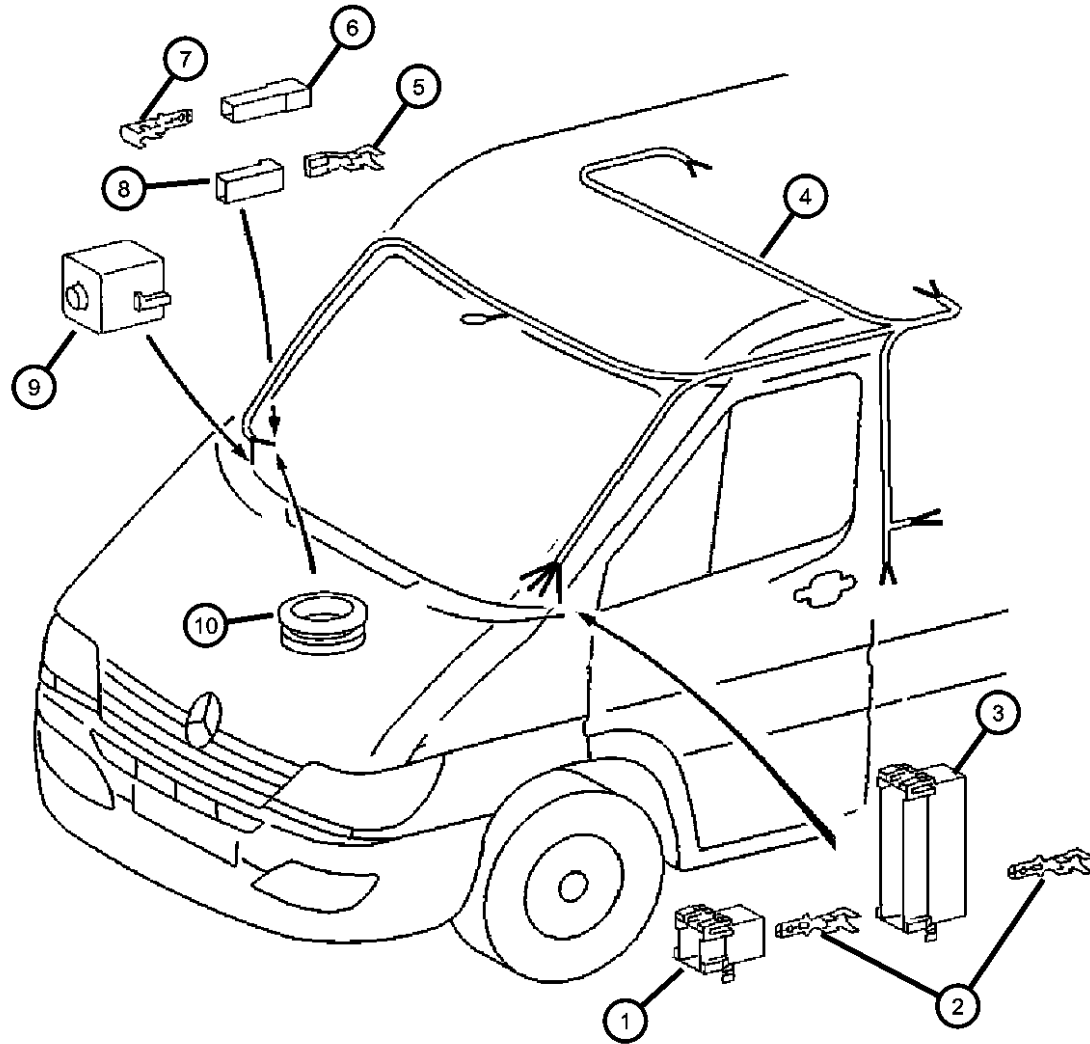
ITEM	PART NUMBER	QTY	LINE	SERIES	BODY	ENGINE	TRANS	TRIM	DESCRIPTION
		1	2, 6	L	11, 12, 14, 15, 16	EX8	DGJ		
		1	2, 6	L	51, 52, 54, 55, 56	EX8	DGJ		
		1	3, 7	L	02, 06	EX8	DGJ		
		1	3, 7	L	12, 15, 16	EX8	DGJ		
5									TERMINAL, Female
	05103871AA	1	2, 6	L	01, 02, 06	EX8	DGJ		
		1	2, 6	L	11, 12, 14, 15, 16	EX8	DGJ		
		1	2, 6	L	51, 52, 54, 55, 56	EX8	DGJ		
		1	3, 7	L	02, 06	EX8	DGJ		
		99	3, 7	L	12, 15, 16	EX8	DGJ		
6									INSULATOR
	05120685AA	1	2, 6	L	01, 02, 06	EX8	DGJ		
		2	2, 6	L	11, 12, 14, 15, 16	EX8	DGJ		
		2	2, 6	L	51, 52, 54, 55, 56	EX8	DGJ		
		1	2, 6	L	51, 52, 54, 55, 56	EX8	DGJ		
		2	3, 7	L	12, 15, 16	EX8	DGJ		
7									TERMINAL, Male
	05133358AA	1	2, 6	L	01, 02, 06	EX8	DGJ		
		1	2, 6	L	11, 12, 14, 15, 16	EX8	DGJ		
		1	2, 6	L	51, 52, 54, 55, 56	EX8	DGJ		
		1	3, 7	L	02, 06	EX8	DGJ		
		1	3, 7	L	12, 15, 16	EX8	DGJ		
8									CONNECTOR
	05120684AA	1	2, 6	L	01, 02, 06	EX8	DGJ		

SPRINTER (VA)

SERIES	LINE	BODY	ENGINE	TRANSMISSION
L = LOWLINE	3 = HD DODGE 2WD 8 = HD DODGE 4WD 6 = Lt. Duty DODGE 4WD 2 = Med. Duty DODGE 2WD 7 = Med. Duty DODGE 4WD 4 = TRUCK	12 = Van 140" 51 = Wagon 118" 52 = Wagon 140" 14 = Van 118" 15 = Van 140" 16 = Van 158" 54 = Wagon 118" 55 = Wagon 140" 56 = Wagon 158" 01 = Chassis Forward Control 118" 02 = Chassis Forward Control 140" 06 = Front Section 158" 11 = Van 118"	EX8 = Engine - 2.7L I5 Mercedes-Benz TD	DGJ = Transmission - 5-Spd Auto, MB

AR = use ase required - = Non illustrated part

**Connectors Roof
Figure 8-1615**



ITEM	PART NUMBER	QTY	LINE	SERIES	BODY	ENGINE	TRANS	TRIM	DESCRIPTION
		1	2, 6	L	11, 12, 14, 15, 16	EX8	DGJ		
		1	2, 6	L	51, 52, 54, 55, 56	EX8	DGJ		
		1	3, 7	L	02, 06	EX8	DGJ		
		1	3, 7	L	12, 15, 16	EX8	DGJ		
9	05133401AA	1	2, 6	L	01, 02, 06	EX8	DGJ		INSULATOR, 2 Way
		1	2, 6	L	11, 12, 14, 15, 16	EX8	DGJ		
		1	2, 6	L	51, 52, 54, 55, 56	EX8	DGJ		
		1	3, 7	L	02, 06	EX8	DGJ		
		1	3, 7	L	12, 15, 16	EX8	DGJ		
10	05133408AA	1	2, 6	L	01, 02, 06	EX8	DGJ		GROMMET, Chassis Wiring
		1	2, 6	L	11, 12, 14, 15, 16	EX8	DGJ		
		1	2, 6	L	51, 52, 54, 55, 56	EX8	DGJ		
		1	3, 7	L	02, 06	EX8	DGJ		
		1	3, 7	L	12, 15, 16	EX8	DGJ		

SPRINTER (VA)

SERIES

L = LOWLINE

LINE

3 = HD DODGE 2WD
 8 = HD DODGE 4WD
 6 = Lt. Duty DODGE 4WD
 2 = Med. Duty DODGE 2WD
 7 = Med. Duty DODGE 4WD
 4 = TRUCK

BODY

12 = Van 140"
 51 = Wagon 118"
 52 = Wagon 140"
 14 = Van 118"
 15 = Van 140"
 16 = Van 158"
 54 = Wagon 118"
 55 = Wagon 140"
 56 = Wagon 158"
 01 = Chassis Forward Control 118"
 02 = Chassis Forward Control 140"
 06 = Front Section 158"
 11 = Van 118"

ENGINE

EX8 = Engine - 2.7L I5 Mercedes-Benz TD

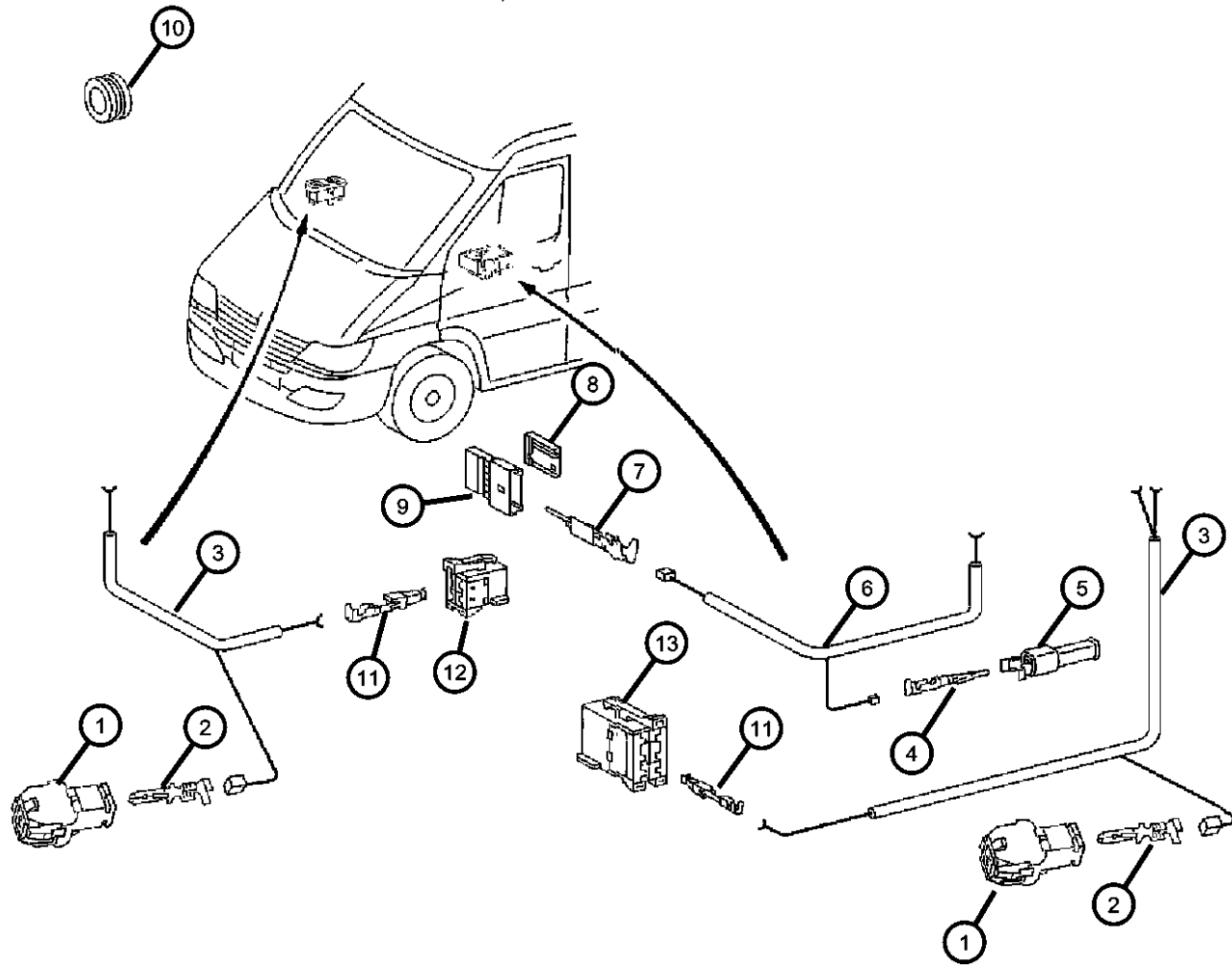
TRANSMISSION

DGJ = Transmission - 5-Spd Auto, MB

AR = use ase required - = Non illustrated part

2005 VA

**Connectors Front Doors
Figure 8-1620**



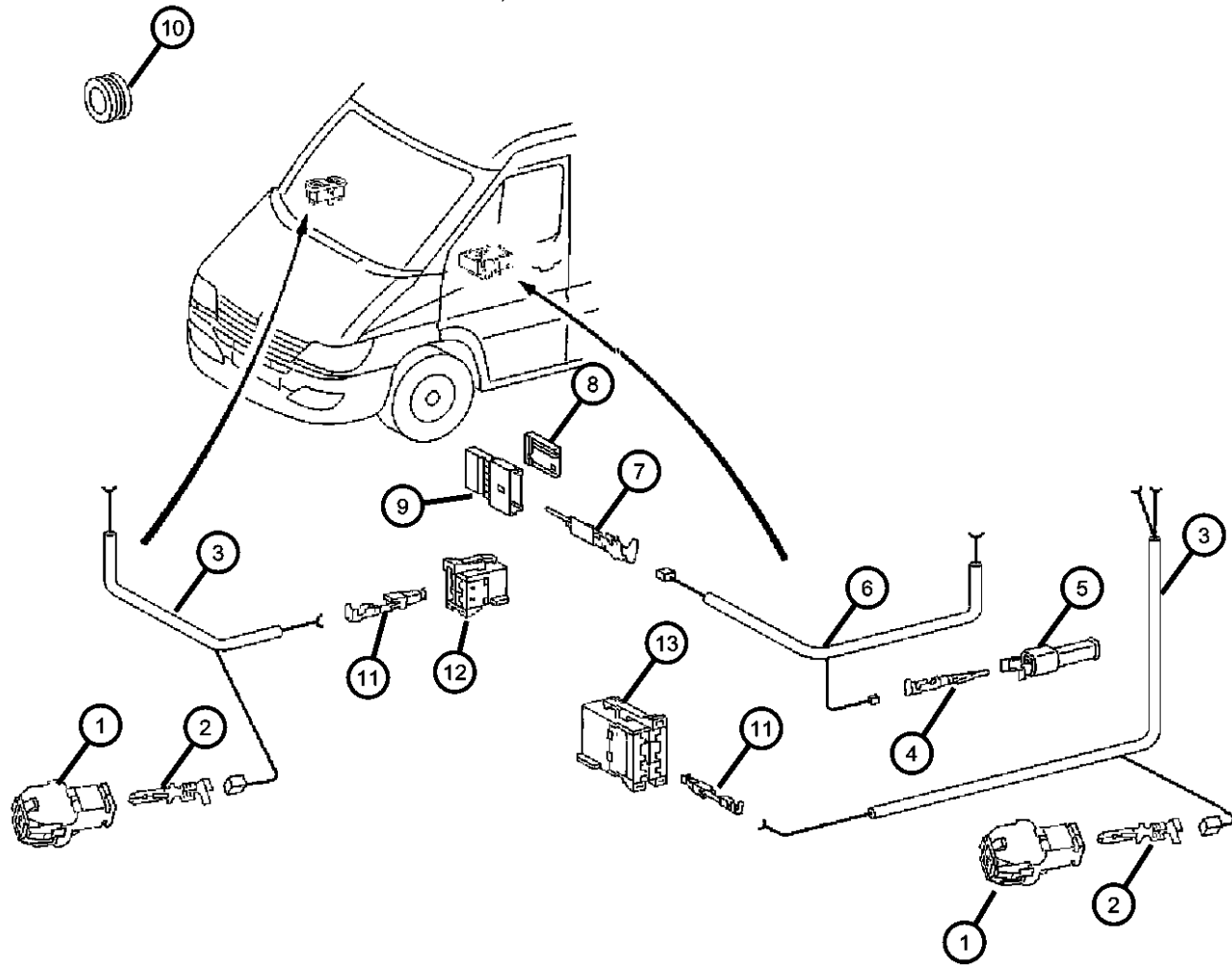
ITEM	PART NUMBER	QTY	LINE	SERIES	BODY	ENGINE	TRANS	TRIM	DESCRIPTION
1									CONNECTOR
	05120795AA	1	2, 6	L	01, 02, 06	EX8	DGJ		
		1	3, 7	L	02, 06	EX8	DGJ		
		1	3, 7	L	12, 15, 16	EX8	DGJ		
		1	2, 6	L	11, 12, 14, 15, 16	EX8	DGJ		
		1	2, 6	L	51, 52, 54, 55, 56	EX8	DGJ		
2									TERMINAL, Male
	05133378AA	99	2, 6	L	01, 02, 06	EX8	DGJ		
		99	2, 6	L	11, 12, 14, 15, 16	EX8	DGJ		
		99	2, 6	L	51, 52, 54, 55, 56	EX8	DGJ		
		99	3, 7	L	02, 06	EX8	DGJ		
		99	3, 7	L	12, 15, 16	EX8	DGJ		
3									WIRING, Power Window
	05120220AB	1	2, 6	L	01, 02, 06	EX8	DGJ		Drivers door
		1	2, 6	L	11, 12, 14, 15, 16	EX8	DGJ		Drivers door
		1	2, 6	L	51, 52, 54, 55, 56	EX8	DGJ		Drivers door
	05120222AB	1	3, 7	L	02, 06	EX8	DGJ		Drivers door
		1	2, 6	L	11, 12, 14, 15, 16	EX8	DGJ		Passenger door
		1	2, 6	L	51, 52, 54, 55, 56	EX8	DGJ		Passenger door
		1	3, 7	L	02, 06	EX8	DGJ		Passenger door
		1	3, 7	L	12, 15, 16	EX8	DGJ		Passenger door
		1	3, 7	L	12, 15, 16	EX8	DGJ		Drivers door
		1	2, 6	L	01, 02, 06	EX8	DGJ		Passenger door
4									TERMINAL
	05133387AA	5	2, 6	L	01, 02, 06	EX8	DGJ		

SPRINTER (VA)

SERIES	LINE	BODY	ENGINE	TRANSMISSION
L = LOWLINE	3 = HD DODGE 2WD 8 = HD DODGE 4WD 6 = Lt. Duty DODGE 4WD 2 = Med. Duty DODGE 2WD 7 = Med. Duty DODGE 4WD 4 = TRUCK	12 = Van 140" 51 = Wagon 118" 52 = Wagon 140" 14 = Van 118" 15 = Van 140" 16 = Van 158" 54 = Wagon 118" 55 = Wagon 140" 56 = Wagon 158" 01 = Chassis Forward Control 118" 02 = Chassis Forward Control 140" 06 = Front Section 158" 11 = Van 118"	EX8 = Engine - 2.7L I5 Mercedes-Benz TD	DGJ = Transmission - 5-Spd Auto, MB

AR = use ase required - = Non illustrated part

**Connectors Front Doors
Figure 8-1620**



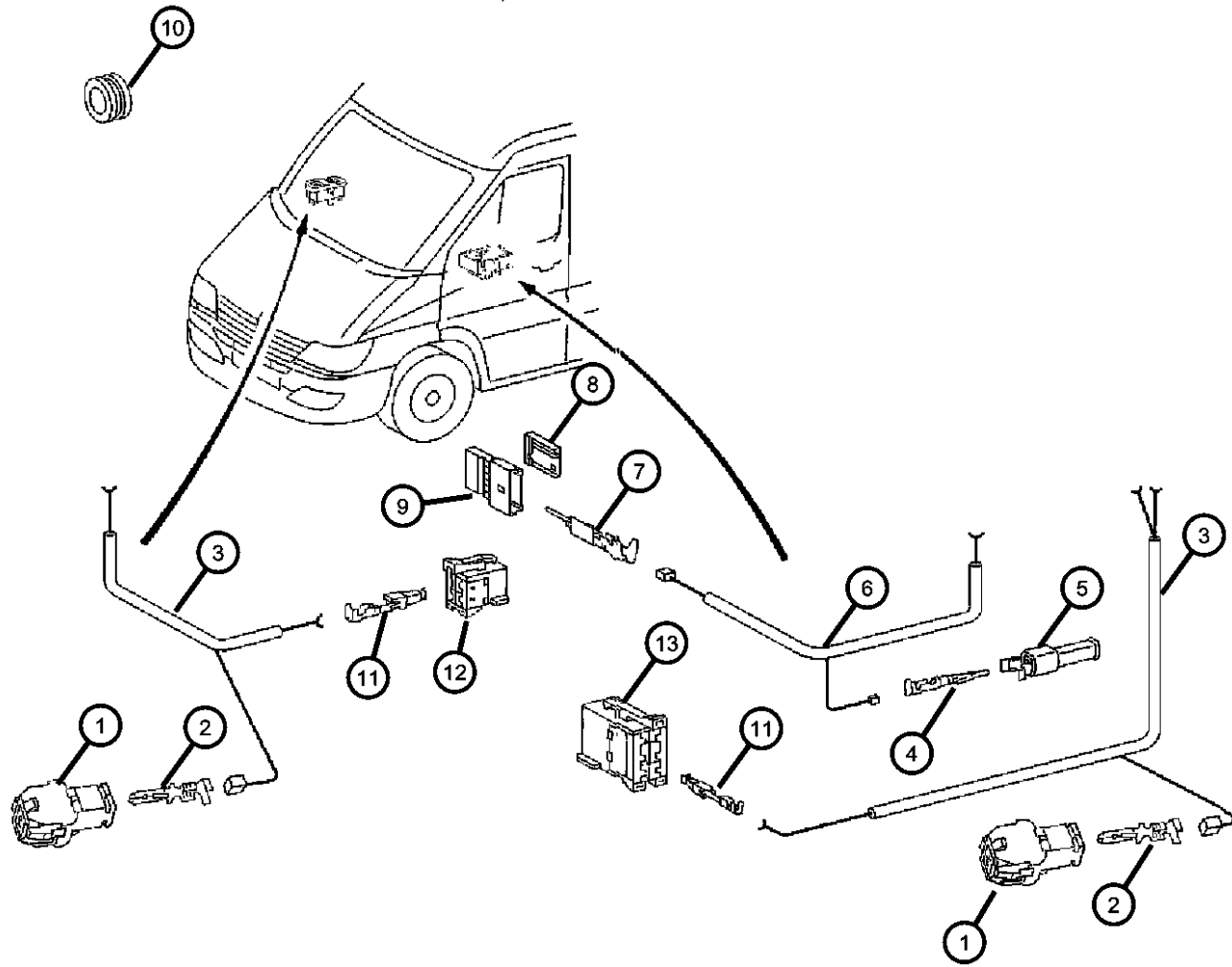
ITEM	PART NUMBER	QTY	LINE	SERIES	BODY	ENGINE	TRANS	TRIM	DESCRIPTION
5	05120744AA	5	2, 6	L	11, 12, 14, 15, 16	EX8	DGJ		CONNECTOR
		5	2, 6	L	51, 52, 54, 55, 56	EX8	DGJ		
		5	3, 7	L	02, 06	EX8	DGJ		
		5	3, 7	L	12, 15, 16	EX8	DGJ		
		1	2, 6	L	01, 02, 06	EX8	DGJ		
6	05120224AB	1	2, 6	L	11, 12, 14, 15, 16	EX8	DGJ		WIRING, Mirror Jumper
		1	2, 6	L	51, 52, 54, 55, 56	EX8	DGJ		
		1	2, 6	L	01, 02, 06	EX8	DGJ		
		1	3, 7	L	02, 06	EX8	DGJ		
		1	3, 7	L	12, 15, 16	EX8	DGJ		
7	05133990AA	99	2, 6	L	01, 02, 06	EX8	DGJ		TERMINAL, Male
		99	2, 6	L	11, 12, 14, 15, 16	EX8	DGJ		
		99	2, 6	L	51, 52, 54, 55, 56	EX8	DGJ		
		99	3, 7	L	02, 06	EX8	DGJ		
		99	3, 7	L	12, 15, 16	EX8	DGJ		
8	05133331AA	1	2, 6	L	51, 52, 54, 55, 56	EX8	DGJ		CONNECTOR, Instrument cluster

SPRINTER (VA)

SERIES	LINE	BODY	ENGINE	TRANSMISSION
L = LOWLINE	3 = HD DODGE 2WD 8 = HD DODGE 4WD 6 = Lt. Duty DODGE 4WD 2 = Med. Duty DODGE 2WD 7 = Med. Duty DODGE 4WD 4 = TRUCK	12 = Van 140" 51 = Wagon 118" 52 = Wagon 140" 14 = Van 118" 15 = Van 140" 16 = Van 158" 54 = Wagon 118" 55 = Wagon 140" 56 = Wagon 158"	EX8 = Engine - 2.7L I5 Mercedes-Benz TD	DGJ = Transmission - 5-Spd Auto, MB
		01 = Chassis Forward Control 118"		
		02 = Chassis Forward Control 140"		
		06 = Front Section 158"		
		11 = Van 118"		

AR = use ase required - = Non illustrated part

Connectors Front Doors
Figure 8-1620



ITEM	PART NUMBER	QTY	LINE	SERIES	BODY	ENGINE	TRANS	TRIM	DESCRIPTION
		1	3, 7	L	02, 06	EX8	DGJ		
		1	3, 7	L	12, 15, 16	EX8	DGJ		
		1	2, 6	L	01, 02, 06	EX8	DGJ		
		1	2, 6	L	11, 12, 14, 15, 16	EX8	DGJ		
9									INSULATOR, 6 Way
	05133330AA	1	2, 6	L	01, 02, 06	EX8	DGJ		
		1	2, 6	L	11, 12, 14, 15, 16	EX8	DGJ		
		1	2, 6	L	51, 52, 54, 55, 56	EX8	DGJ		
		1	3, 7	L	02, 06	EX8	DGJ		
		1	3, 7	L	12, 15, 16	EX8	DGJ		
10									GROMMET
	05125942AA	2	2, 6	L	01, 02, 06	EX8	DGJ		
		2	2, 6	L	51, 52, 54, 55, 56	EX8	DGJ		
		2	3, 7	L	02, 06	EX8	DGJ		
		2	2, 6	L	11, 12, 14, 15, 16	EX8	DGJ		
		2	3, 7	L	12, 15, 16	EX8	DGJ		
11									TERMINAL
	05103881AA	1	2, 6	L	01, 02, 06	EX8	DGJ		
		99	2, 6	L	11, 12, 14, 15, 16	EX8	DGJ		
		1	2, 6	L	51, 52, 54, 55, 56	EX8	DGJ		
		99	3, 7	L	02, 06	EX8	DGJ		
		99	3, 7	L	12, 15, 16	EX8	DGJ		
12									CONNECTOR
	05120785AA	1	2, 6	L	01, 02, 06	EX8	DGJ		
		1	3, 7	L	12, 15, 16	EX8	DGJ		

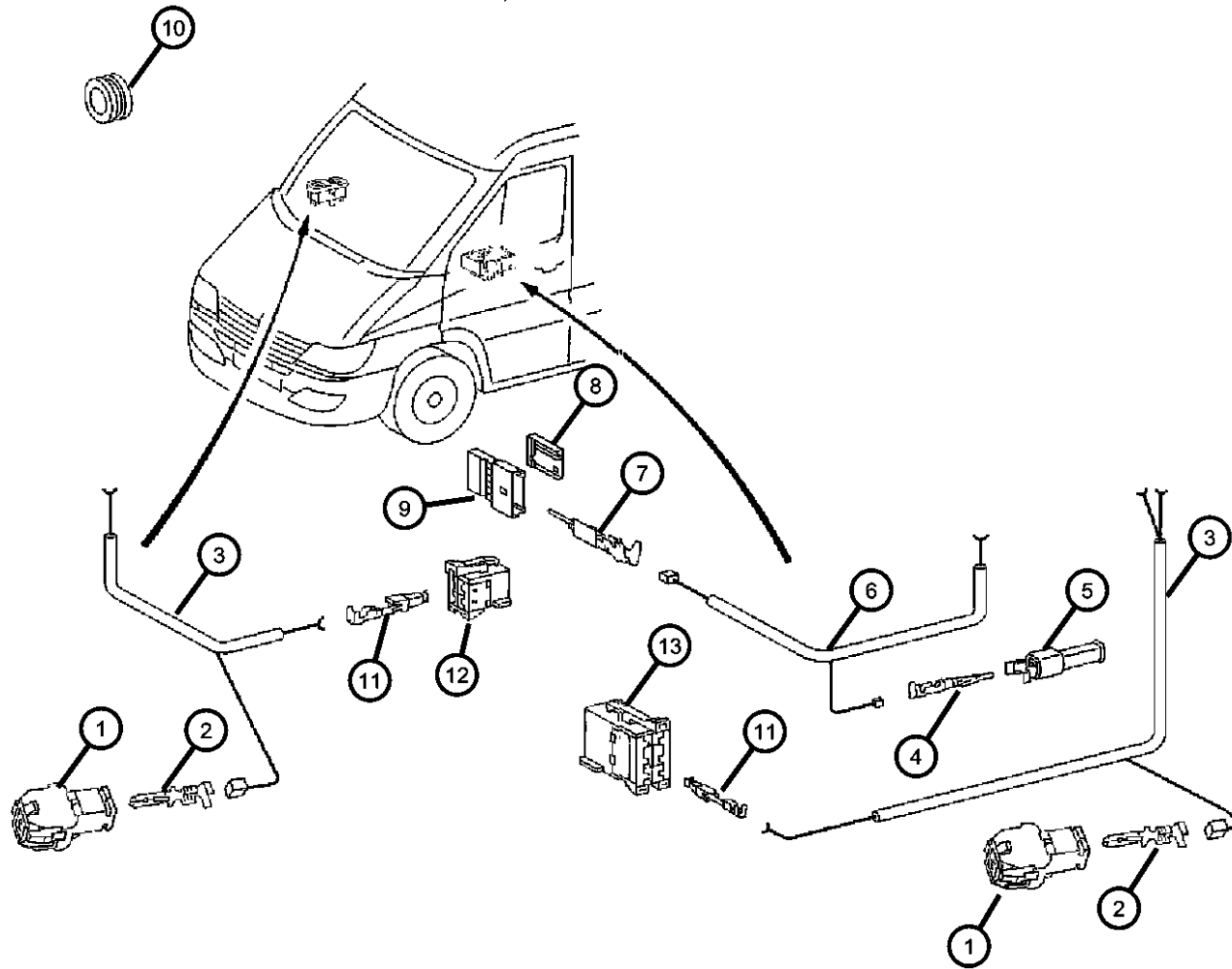
SPRINTER (VA)

SERIES	LINE	BODY	ENGINE	TRANSMISSION
L = LOWLINE	3 = HD DODGE 2WD	12 = Van 140"	EX8 = Engine - 2.7L I5	DGJ = Transmission - 5-Spd Auto, MB
	8 = HD DODGE 4WD	51 = Wagon 118"	Mercedes-Benz TD	
	6 = Lt. Duty DODGE 4WD	52 = Wagon 140"		
	2 = Med. Duty DODGE 2WD	14 = Van 118"		
	7 = Med. Duty DODGE 4WD	15 = Van 140"		
	4 = TRUCK	16 = Van 158"		
		54 = Wagon 118"		
		55 = Wagon 140"		
		56 = Wagon 158"		
		01 = Chassis Forward Control		
		118"		
		02 = Chassis Forward Control		
		140"		
		06 = Front Section 158"		
		11 = Van 118"		

AR = use ase required - = Non illustrated part

Connectors Front Doors
Figure 8-1620

ITEM	PART NUMBER	QTY	LINE	SERIES	BODY	ENGINE	TRANS	TRIM	DESCRIPTION
		1	2, 6	L	11, 12, 14, 15, 16	EX8	DGJ		
		1	2, 6	L	51, 52, 54, 55, 56	EX8	DGJ		
		1	3, 7	L	02, 06	EX8	DGJ		
13									CONNECTOR
	05120786AA	1	2, 6	L	01, 02, 06	EX8	DGJ		
		1	2, 6	L	11, 12, 14, 15, 16	EX8	DGJ		
		1	2, 6	L	51, 52, 54, 55, 56	EX8	DGJ		
		1	3, 7	L	02, 06	EX8	DGJ		
		1	3, 7	L	12, 15, 16	EX8	DGJ		



SPRINTER (VA)

SERIES

L = LOWLINE

LINE

3 = HD DODGE 2WD
8 = HD DODGE 4WD
6 = Lt. Duty DODGE 4WD
2 = Med. Duty DODGE 2WD
7 = Med. Duty DODGE 4WD
4 = TRUCK

BODY

12 = Van 140"
51 = Wagon 118"
52 = Wagon 140"
14 = Van 118"
15 = Van 140"
16 = Van 158"
54 = Wagon 118"
55 = Wagon 140"
56 = Wagon 158"
01 = Chassis Forward Control
118"
02 = Chassis Forward Control
140"
06 = Front Section 158"
11 = Van 118"

ENGINE

EX8 = Engine - 2.7L I5
Mercedes-Benz TD

TRANSMISSION

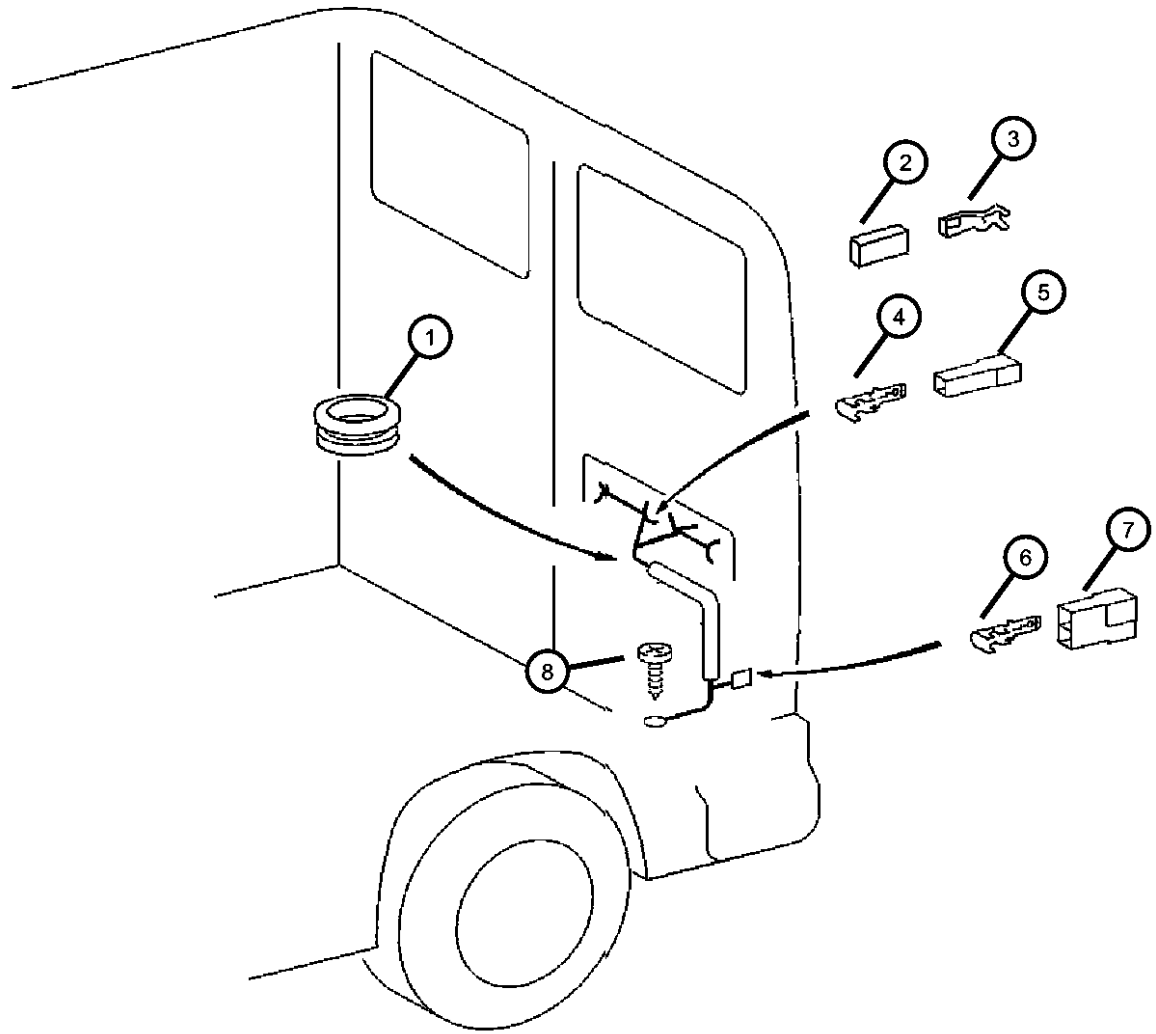
DGJ = Transmission - 5-Spd Auto, MB

AR = use ase required - = Non illustrated part

2005 VA

**Connectors Rear Doors
Figure 8-1625**

ITEM	PART NUMBER	QTY	LINE	SERIES	BODY	ENGINE	TRANS	TRIM	DESCRIPTION
1	05125931AA	1	2, 6	L	01, 02, 06	EX8	DGJ		GROMMET
		1	2, 6	L	11, 12, 14, 15, 16	EX8	DGJ		
		1	2, 6	L	51, 52, 54, 55, 56	EX8	DGJ		
		2	3, 7	L	12, 15, 16	EX8	DGJ		
		2	2, 6	L	01, 02, 06	EX8	DGJ		
2	05120684AA	1	2, 6	L	01, 02, 06	EX8	DGJ		CONNECTOR
		1	2, 6	L	11, 12, 14, 15, 16	EX8	DGJ		
		1	2, 6	L	51, 52, 54, 55, 56	EX8	DGJ		
		1	3, 7	L	02, 06	EX8	DGJ		
		1	3, 7	L	12, 15, 16	EX8	DGJ		
3	05114451AA	99	2, 6	L	01, 02, 06	EX8	DGJ		TERMINAL, Female
		99	2, 6	L	11, 12, 14, 15, 16	EX8	DGJ		
		99	2, 6	L	51, 52, 54, 55, 56	EX8	DGJ		
		99	3, 7	L	02, 06	EX8	DGJ		
		99	3, 7	L	12, 15, 16	EX8	DGJ		
4	05103798AA	1	2, 6	L	01, 02, 06	EX8	DGJ		TERMINAL, Male
		99	2, 6	L	11, 12, 14, 15, 16	EX8	DGJ		
		99	2, 6	L	51, 52, 54, 55, 56	EX8	DGJ		
		1	3, 7	L	02, 06	EX8	DGJ		
		99	3, 7	L	12, 15, 16	EX8	DGJ		
5									INSULATOR



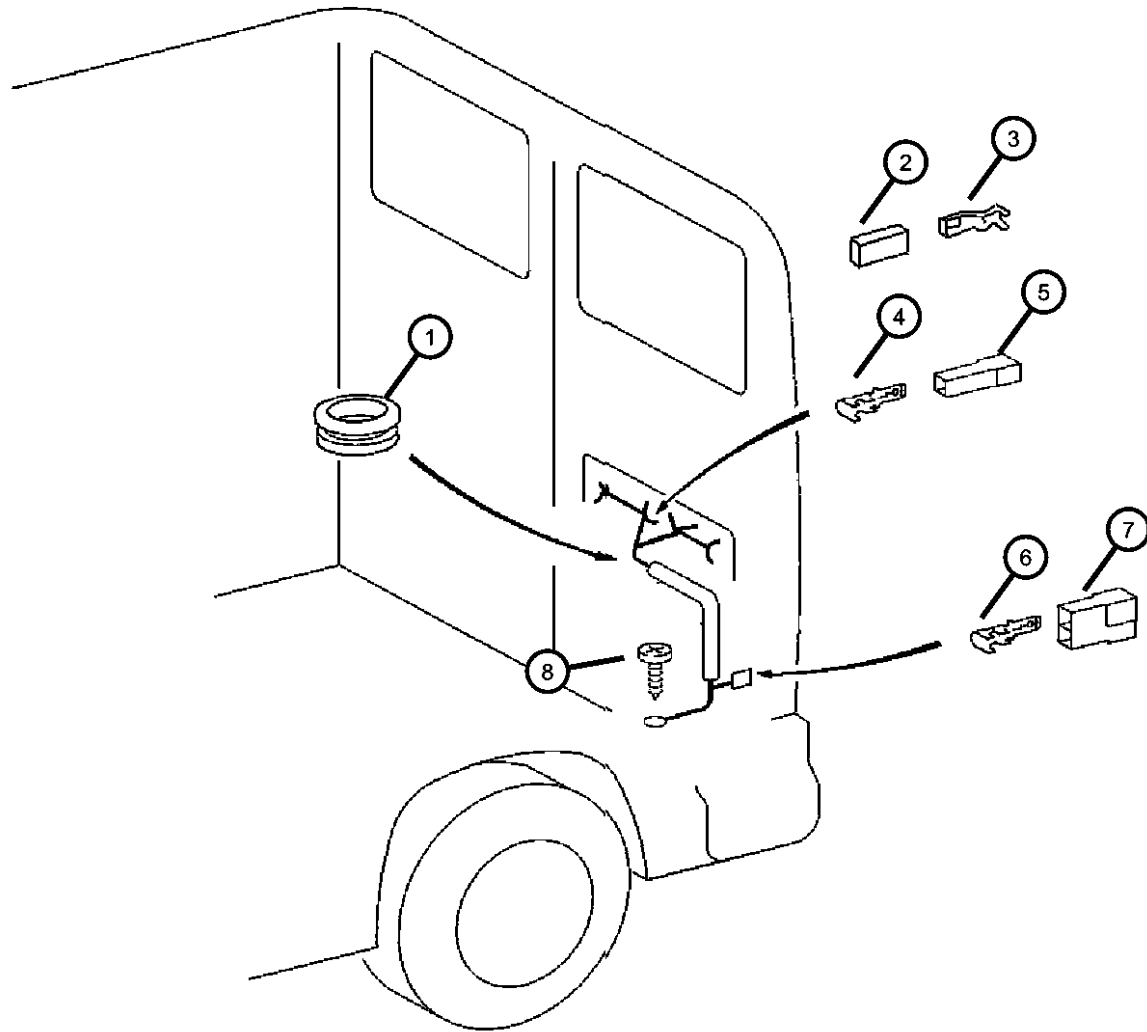
SPRINTER (VA)

SERIES	LINE	BODY	ENGINE	TRANSMISSION
L = LOWLINE	3 = HD DODGE 2WD 8 = HD DODGE 4WD 6 = Lt. Duty DODGE 4WD 2 = Med. Duty DODGE 2WD 7 = Med. Duty DODGE 4WD 4 = TRUCK	12 = Van 140" 51 = Wagon 118" 52 = Wagon 140" 14 = Van 118" 15 = Van 140" 16 = Van 158" 54 = Wagon 118" 55 = Wagon 140" 56 = Wagon 158" 01 = Chassis Forward Control 118" 02 = Chassis Forward Control 140" 06 = Front Section 158" 11 = Van 118"	EX8 = Engine - 2.7L I5 Mercedes-Benz TD	DGJ = Transmission - 5-Spd Auto, MB

AR = use ase required - = Non illustrated part

**Connectors Rear Doors
Figure 8-1625**

ITEM	PART NUMBER	QTY	LINE	SERIES	BODY	ENGINE	TRANS	TRIM	DESCRIPTION
	05120685AA	1	2, 6	L	01, 02, 06	EX8	DGJ		
		2	2, 6	L	11, 12, 14, 15, 16	EX8	DGJ		
		2	2, 6	L	51, 52, 54, 55, 56	EX8	DGJ		
		1	3, 7	L	02, 06	EX8	DGJ		
		2	3, 7	L	12, 15, 16	EX8	DGJ		
6	05103751AA	1	2, 6	L	11, 12, 14, 15, 16	EX8	DGJ		CONNECTOR
		1	2, 6	L	51, 52, 54, 55, 56	EX8	DGJ		
		1	3, 7	L	12, 15, 16	EX8	DGJ		
7	05103798AA	1	2, 6	L	01, 02, 06	EX8	DGJ		TERMINAL, Male
		99	2, 6	L	11, 12, 14, 15, 16	EX8	DGJ		
		99	2, 6	L	51, 52, 54, 55, 56	EX8	DGJ		
		1	3, 7	L	02, 06	EX8	DGJ		
		99	3, 7	L	12, 15, 16	EX8	DGJ		
8		99							SCREW, Tapping. (NOT SERVICED)

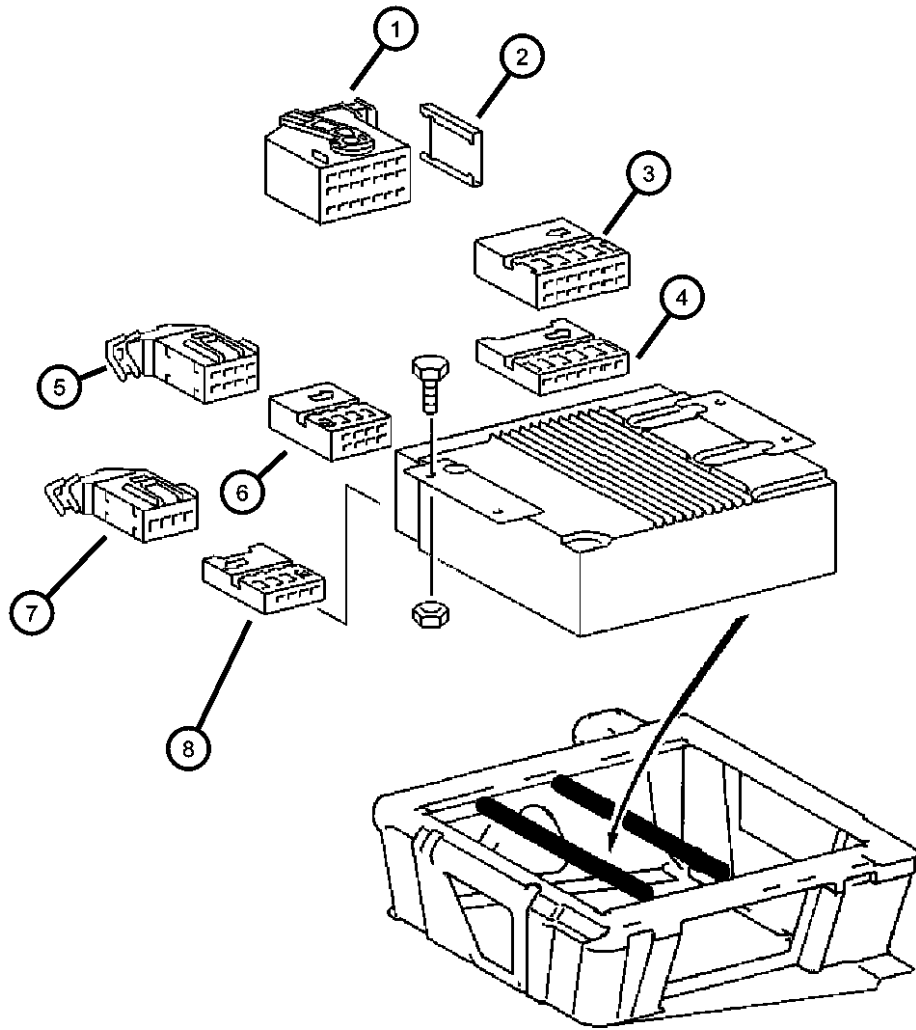


SPRINTER (VA)

SERIES	LINE	BODY	ENGINE	TRANSMISSION
L = LOWLINE	3 = HD DODGE 2WD 8 = HD DODGE 4WD 6 = Lt. Duty DODGE 4WD 2 = Med. Duty DODGE 2WD 7 = Med. Duty DODGE 4WD 4 = TRUCK	12 = Van 140" 51 = Wagon 118" 52 = Wagon 140" 14 = Van 118" 15 = Van 140" 16 = Van 158" 54 = Wagon 118" 55 = Wagon 140" 56 = Wagon 158" 01 = Chassis Forward Control 118" 02 = Chassis Forward Control 140" 06 = Front Section 158" 11 = Van 118"	EX8 = Engine - 2.7L I5 Mercedes-Benz TD	DGJ = Transmission - 5-Spd Auto, MB

AR = use ase required - = Non illustrated part

Connectors Seating Area
Figure 8-1630



ITEM	PART NUMBER	QTY	LINE	SERIES	BODY	ENGINE	TRANS	TRIM	DESCRIPTION
1	05102941AA	1	2, 6	L	01, 02, 06	EX8	DGJ		INSULATOR
		1	2, 6	L	11, 12, 14, 15, 16	EX8	DGJ		
		1	2, 6	L	51, 52, 54, 55, 56	EX8	DGJ		
		1	3, 7	L	02, 06	EX8	DGJ		
		1	3, 7	L	12, 15, 16	EX8	DGJ		
2	05102945AA	1	2, 6	L	01, 02, 06	EX8	DGJ		CONNECTOR
		1	2, 6	L	11, 12, 14, 15, 16	EX8	DGJ		
		1	2, 6	L	51, 52, 54, 55, 56	EX8	DGJ		
		1	3, 7	L	02, 06	EX8	DGJ		
		1	3, 7	L	12, 15, 16	EX8	DGJ		
3	05102943AA	1	2, 6	L	01, 02, 06	EX8	DGJ		CONNECTOR
		1	2, 6	L	11, 12, 14, 15, 16	EX8	DGJ		
		1	2, 6	L	51, 52, 54, 55, 56	EX8	DGJ		
		1	3, 7	L	02, 06	EX8	DGJ		
		1	3, 7	L	12, 15, 16	EX8	DGJ		
4	05102944AA	1	2, 6	L	01, 02, 06	EX8	DGJ		CONNECTOR, 7 Way
		1	2, 6	L	11, 12, 14, 15, 16	EX8	DGJ		
		1	2, 6	L	51, 52, 54, 55, 56	EX8	DGJ		
		1	3, 7	L	02, 06	EX8	DGJ		
		1	3, 7	L	12, 15, 16	EX8	DGJ		
5									INSULATOR, 8 Way

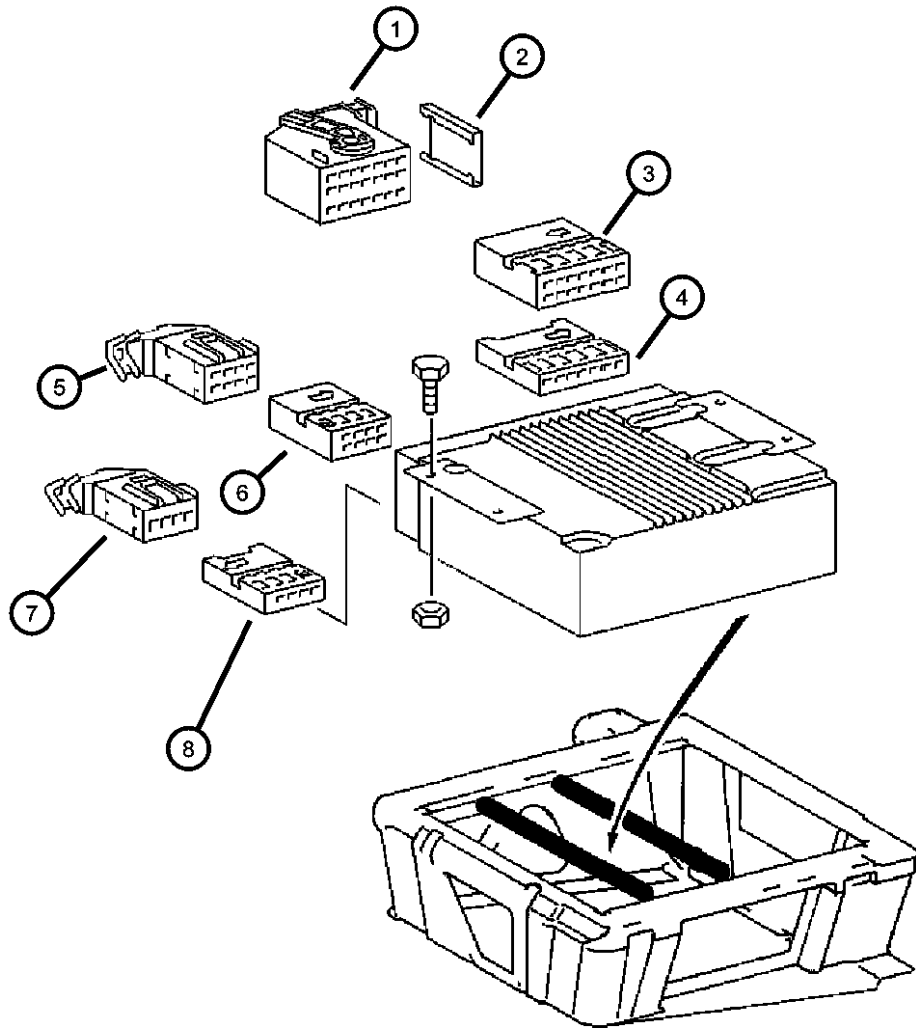
SPRINTER (VA)

SERIES	LINE	BODY	ENGINE	TRANSMISSION
L = LOWLINE	3 = HD DODGE 2WD 8 = HD DODGE 4WD 6 = Lt. Duty DODGE 4WD 2 = Med. Duty DODGE 2WD 7 = Med. Duty DODGE 4WD 4 = TRUCK	12 = Van 140" 51 = Wagon 118" 52 = Wagon 140" 14 = Van 118" 15 = Van 140" 16 = Van 158" 54 = Wagon 118" 55 = Wagon 140" 56 = Wagon 158" 01 = Chassis Forward Control 118" 02 = Chassis Forward Control 140" 06 = Front Section 158" 11 = Van 118"	EX8 = Engine - 2.7L I5 Mercedes-Benz TD	DGJ = Transmission - 5-Spd Auto, MB

AR = use ase required - = Non illustrated part

Connectors Seating Area
Figure 8-1630

ITEM	PART NUMBER	QTY	LINE	SERIES	BODY	ENGINE	TRANS	TRIM	DESCRIPTION
	05133339AA	1	2, 6	L	01, 02, 06	EX8	DGJ		
		1	2, 6	L	11, 12, 14, 15, 16	EX8	DGJ		
		1	2, 6	L	51, 52, 54, 55, 56	EX8	DGJ		
		1	3, 7	L	02, 06	EX8	DGJ		
		1	3, 7	L	12, 15, 16	EX8	DGJ		
6	05133340AA	1	2, 6	L	01, 02, 06	EX8	DGJ		INSULATOR, 8 Way
		1	2, 6	L	11, 12, 14, 15, 16	EX8	DGJ		
		1	2, 6	L	51, 52, 54, 55, 56	EX8	DGJ		
		1	3, 7	L	02, 06	EX8	DGJ		
		1	3, 7	L	12, 15, 16	EX8	DGJ		
7	05133342AA	1	2, 6	L	01, 02, 06	EX8	DGJ		INSULATOR, 8 Way
		1	2, 6	L	11, 12, 14, 15, 16	EX8	DGJ		
		1	2, 6	L	51, 52, 54, 55, 56	EX8	DGJ		
		1	3, 7	L	02, 06	EX8	DGJ		
		1	3, 7	L	12, 15, 16	EX8	DGJ		
8	05133341AA	1	2, 6	L	01, 02, 06	EX8	DGJ		INSULATOR, 8 Way
		1	2, 6	L	11, 12, 14, 15, 16	EX8	DGJ		
		1	2, 6	L	51, 52, 54, 55, 56	EX8	DGJ		
		1	3, 7	L	02, 06	EX8	DGJ		
		1	3, 7	L	12, 15, 16	EX8	DGJ		



SPRINTER (VA)

SERIES

L = LOWLINE

LINE

3 = HD DODGE 2WD
8 = HD DODGE 4WD
6 = Lt. Duty DODGE 4WD
2 = Med. Duty DODGE 2WD
7 = Med. Duty DODGE 4WD
4 = TRUCK

BODY

12 = Van 140"
51 = Wagon 118"
52 = Wagon 140"
14 = Van 118"
15 = Van 140"
16 = Van 158"
54 = Wagon 118"
55 = Wagon 140"
56 = Wagon 158"
01 = Chassis Forward Control
118"
02 = Chassis Forward Control
140"
06 = Front Section 158"
11 = Van 118"

ENGINE

EX8 = Engine - 2.7L I5
Mercedes-Benz TD

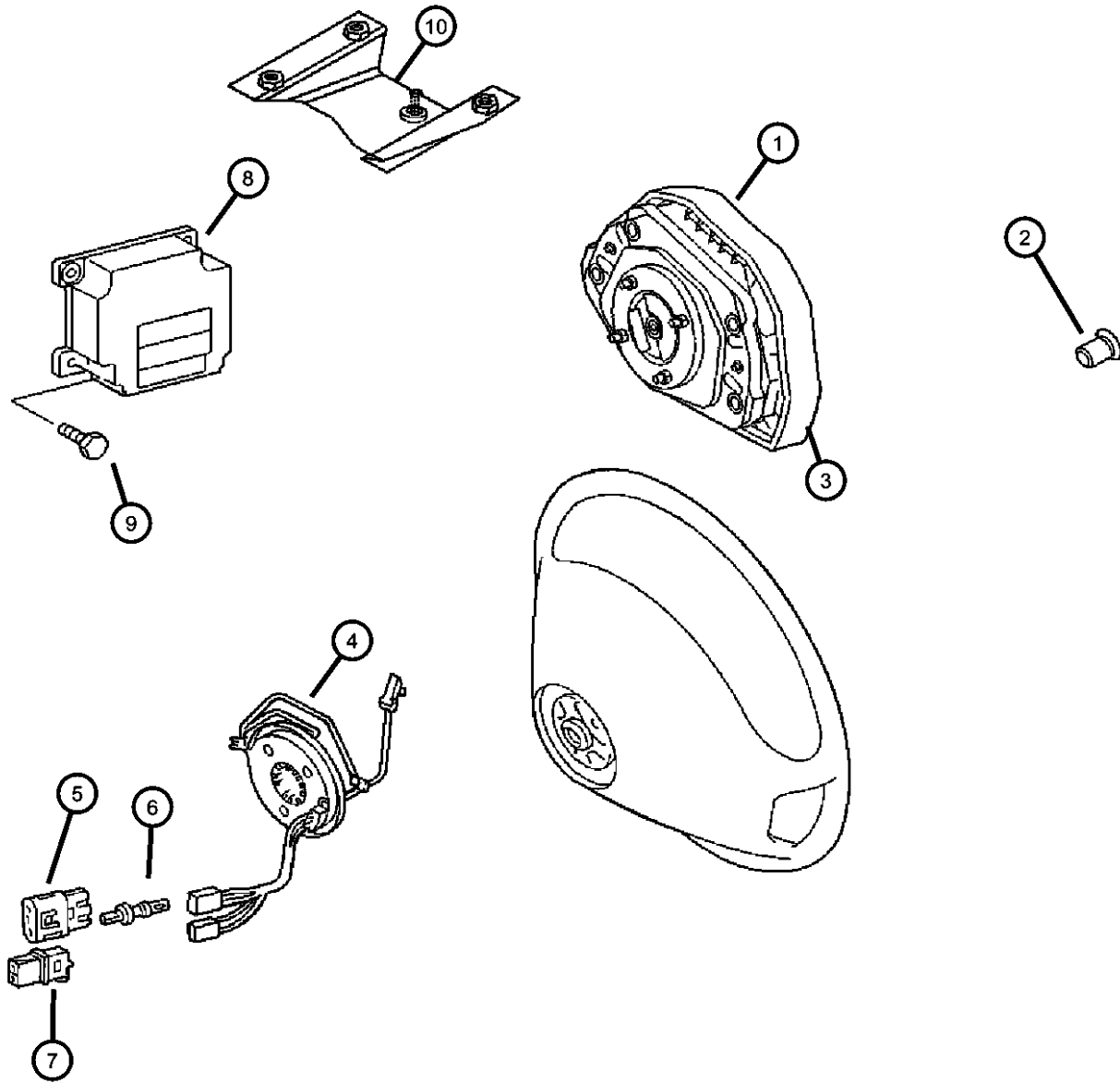
TRANSMISSION

DGJ = Transmission - 5-Spd Auto, MB

AR = use ase required - = Non illustrated part

2005 VA

**Air Bag System Drivers Side
Figure 8-1705**



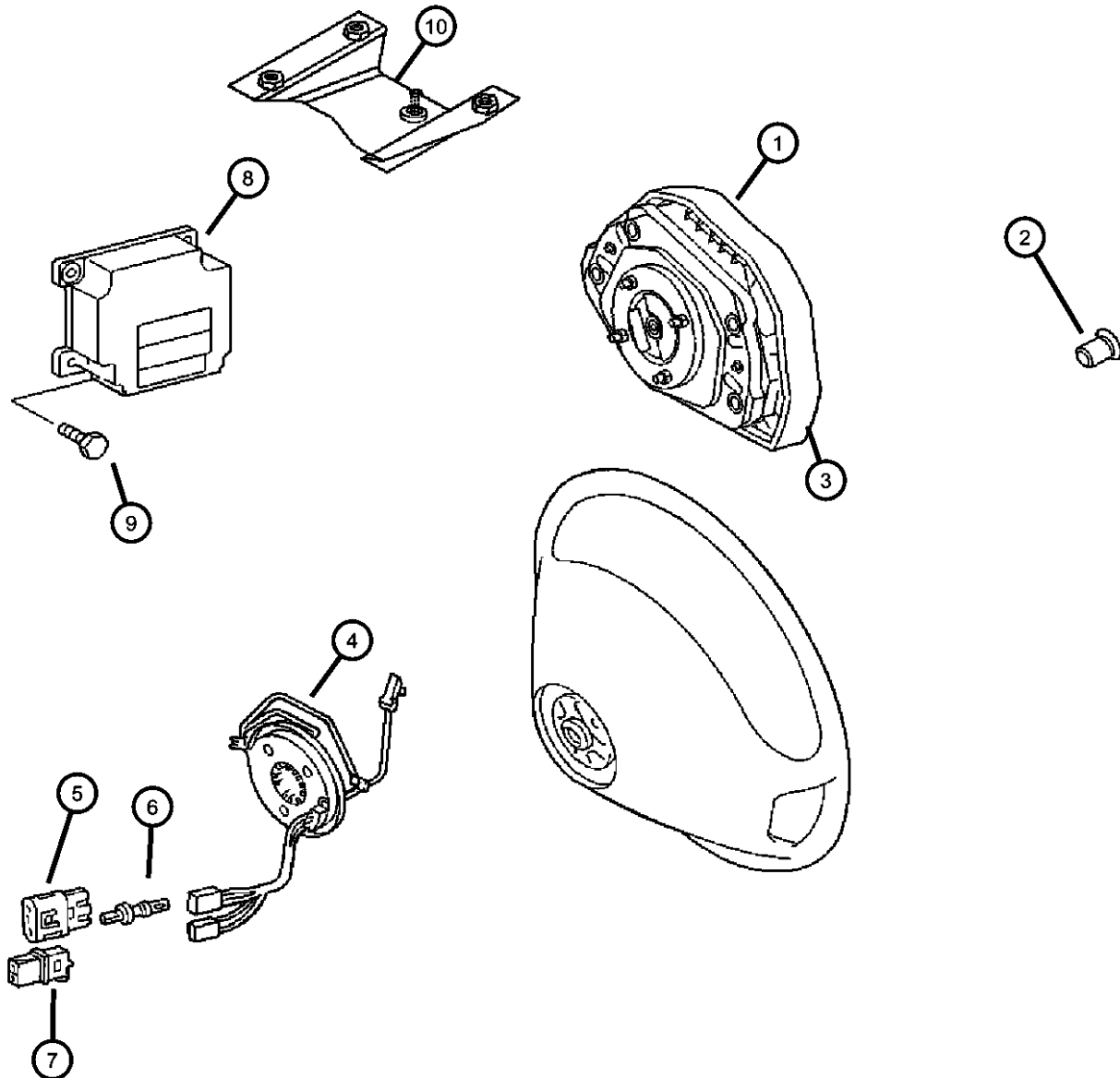
ITEM	PART NUMBER	QTY	LINE	SERIES	BODY	ENGINE	TRANS	TRIM	DESCRIPTION
1									AIR BAG, Driver
	05119529AA	1	2	L	11, 12, 14, 15, 16	EX8	DGJ		Dodge emblem
		1	2	L	51, 52, 54, 55, 56	EX8	DGJ		Dodge emblem
		1	3	L	02, 06	EX8	DGJ		Dodge emblem
	1AR08CSSAA	1	3	L	12, 15, 16	EX8	DGJ		Dodge emblem
		1	6	L	01, 02, 06	EX8	DGJ		Freightliner emblem
		1	2	L	01, 02, 06	EX8	DGJ		Dodge emblem
		1	6	L	11, 12, 14, 15, 16	EX8	DGJ		Freightliner emblem
		1	6	L	51, 52, 54, 55, 56	EX8	DGJ		Freightliner emblem
		1	7	L	02, 06	EX8	DGJ		Freightliner emblem
		1	7	L	12, 15, 16	EX8	DGJ		Freightliner emblem
2									SCREW
	05103604AA	1	2, 6	L	01, 02, 06	EX8	DGJ		
		1	2, 6	L	11, 12, 14, 15, 16	EX8	DGJ		
		1	2, 6	L	51, 52, 54, 55, 56	EX8	DGJ		
		1	3, 7	L	02, 06	EX8	DGJ		
		1	3, 7	L	12, 15, 16	EX8	DGJ		
3		1							COVER, Steering Wheel, (NOT SERVICED)
4									CLOCKSPRING
	05104089AA	1	2, 6	L	01, 02, 06	EX8	DGJ		
		1	2, 6	L	11, 12, 14, 15, 16	EX8	DGJ		
		1	3, 7	L	12, 15, 16	EX8	DGJ		
		1	2, 6	L	51, 52, 54, 55, 56	EX8	DGJ		
		1	3, 7	L	02, 06	EX8	DGJ		
5									CONNECTOR

SPRINTER (VA)

SERIES	LINE	BODY	ENGINE	TRANSMISSION
L = LOWLINE	3 = HD DODGE 2WD	12 = Van 140"	EX8 = Engine - 2.7L I5	DGJ = Transmission - 5-Spd Auto, MB
	8 = HD DODGE 4WD	51 = Wagon 118"	Mercedes-Benz TD	
	6 = Lt. Duty DODGE 4WD	52 = Wagon 140"		
	2 = Med. Duty DODGE 2WD	14 = Van 118"		
	7 = Med. Duty DODGE 4WD	15 = Van 140"		
	4 = TRUCK	16 = Van 158"		
		54 = Wagon 118"		
		55 = Wagon 140"		
		56 = Wagon 158"		
		01 = Chassis Forward Control 118"		
		02 = Chassis Forward Control 140"		
		06 = Front Section 158"		
		11 = Van 118"		

AR = use ase required - = Non illustrated part

**Air Bag System Drivers Side
Figure 8-1705**



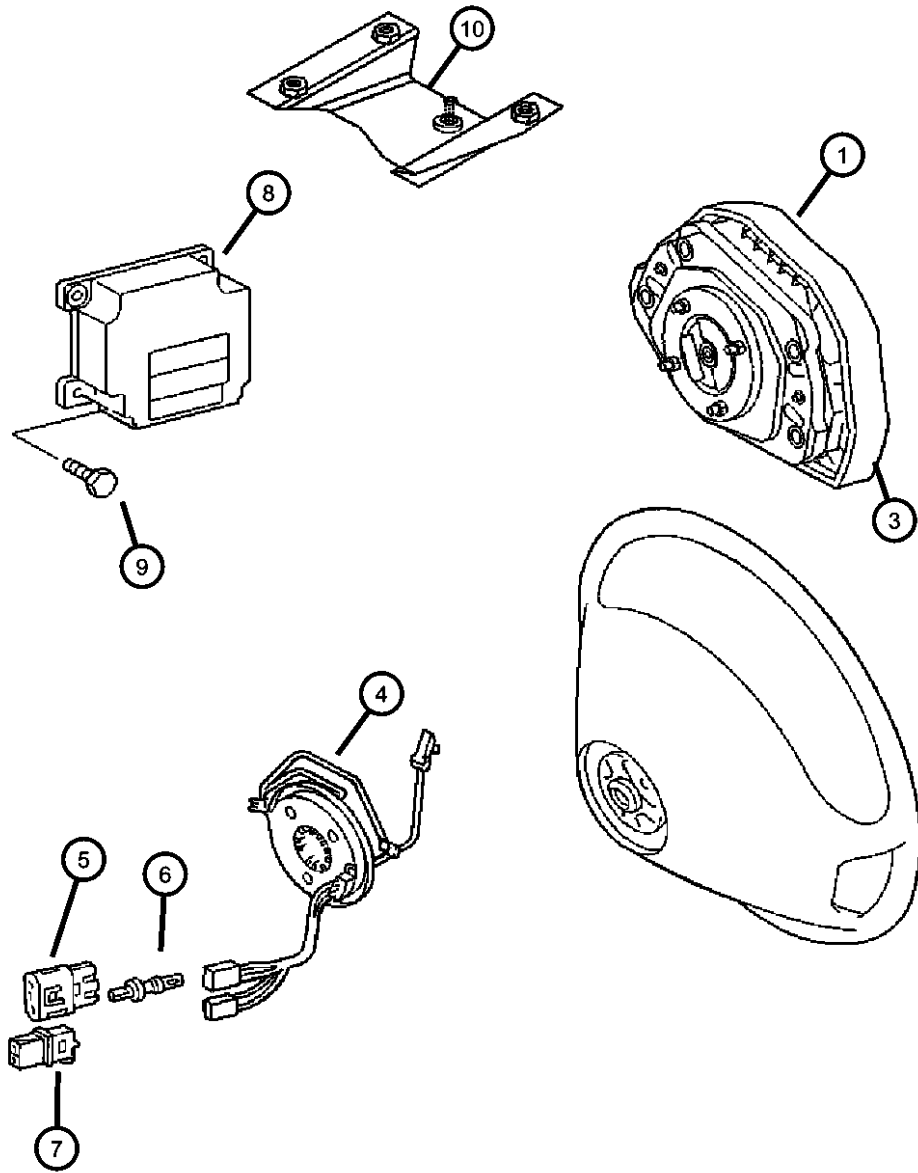
ITEM	PART NUMBER	QTY	LINE	SERIES	BODY	ENGINE	TRANS	TRIM	DESCRIPTION
6	05103904AA	1	2, 6	L	01, 02, 06	EX8	DGJ		
		1	2, 6	L	11, 12, 14, 15, 16	EX8	DGJ		
		1	2, 6	L	51, 52, 54, 55, 56	EX8	DGJ		
		1	3, 7	L	02, 06	EX8	DGJ		
		1	3, 7	L	12, 15, 16	EX8	DGJ		TERMINAL
7	05103828AA	99	2, 6	L	01, 02, 06	EX8	DGJ		
		99	2, 6	L	11, 12, 14, 15, 16	EX8	DGJ		
		99	3, 7	L	12, 15, 16	EX8	DGJ		
		99	2, 6	L	51, 52, 54, 55, 56	EX8	DGJ		
		99	3, 7	L	02, 06	EX8	DGJ		CONNECTOR
8	05103902AA	1	2, 6	L	01, 02, 06	EX8	DGJ		
		1	2, 6	L	11, 12, 14, 15, 16	EX8	DGJ		
		1	2, 6	L	51, 52, 54, 55, 56	EX8	DGJ		
		1	3, 7	L	02, 06	EX8	DGJ		
		1	3, 7	L	12, 15, 16	EX8	DGJ		MODULE, Air Bag Control
9	05119435AA	1	2, 6	L	51, 52, 54, 55, 56	EX8	DGJ		
		1	3, 7	L	02, 06	EX8	DGJ		
		1	3, 7	L	12, 15, 16	EX8	DGJ		
		1	2, 6	L	01, 02, 06	EX8	DGJ		
		1	2, 6	L	11, 12, 14, 15, 16	EX8	DGJ		SCREW

SPRINTER (VA)

SERIES	LINE	BODY	ENGINE	TRANSMISSION
L = LOWLINE	3 = HD DODGE 2WD 8 = HD DODGE 4WD 6 = Lt. Duty DODGE 4WD 2 = Med. Duty DODGE 2WD 7 = Med. Duty DODGE 4WD 4 = TRUCK	12 = Van 140" 51 = Wagon 118" 52 = Wagon 140" 14 = Van 118" 15 = Van 140" 16 = Van 158" 54 = Wagon 118" 55 = Wagon 140" 56 = Wagon 158" 01 = Chassis Forward Control 118" 02 = Chassis Forward Control 140" 06 = Front Section 158" 11 = Van 118"	EX8 = Engine - 2.7L I5 Mercedes-Benz TD	DGJ = Transmission - 5-Spd Auto, MB

AR = use ase required - = Non illustrated part

**Air Bag System Drivers Side
Figure 8-1705**



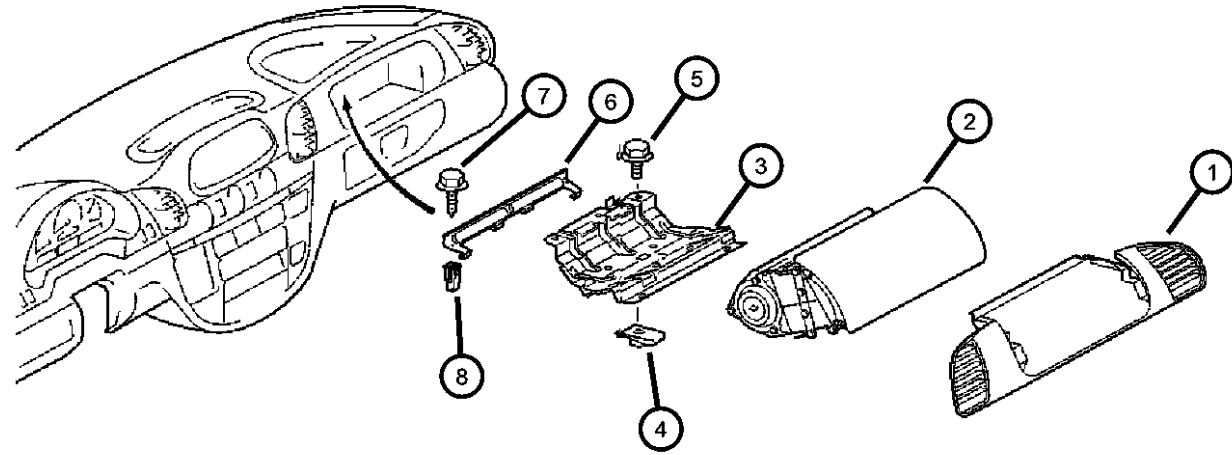
ITEM	PART NUMBER	QTY	LINE	SERIES	BODY	ENGINE	TRANS	TRIM	DESCRIPTION
	06104005AA	3	2, 6	L	01, 02, 06	EX8	DGJ		
		2	2, 6	L	11, 12, 14, 15, 16	EX8	DGJ		
		2	2, 6	L	51, 52, 54, 55, 56	EX8	DGJ		
		2	3, 7	L	02, 06	EX8	DGJ		
		2	3, 7	L	12, 15, 16	EX8	DGJ		
10	05121455AA	1	2, 6	L	01, 02, 06	EX8	DGJ		BRACKET, Air Bag Control Module
		1	2, 6	L	11, 12, 14, 15, 16	EX8	DGJ		
		1	2, 6	L	51, 52, 54, 55, 56	EX8	DGJ		
		1	3, 7	L	02, 06	EX8	DGJ		
		1	3, 7	L	12, 15, 16	EX8	DGJ		

SPRINTER (VA)

SERIES	LINE	BODY	ENGINE	TRANSMISSION
L = LOWLINE	3 = HD DODGE 2WD 8 = HD DODGE 4WD 6 = Lt. Duty DODGE 4WD 2 = Med. Duty DODGE 2WD 7 = Med. Duty DODGE 4WD 4 = TRUCK	12 = Van 140" 51 = Wagon 118" 52 = Wagon 140" 14 = Van 118" 15 = Van 140" 16 = Van 158" 54 = Wagon 118" 55 = Wagon 140" 56 = Wagon 158" 01 = Chassis Forward Control 118" 02 = Chassis Forward Control 140" 06 = Front Section 158" 11 = Van 118"	EX8 = Engine - 2.7L I5 Mercedes-Benz TD	DGJ = Transmission - 5-Spd Auto, MB

AR = use ase required - = Non illustrated part

**Air Bag System Passenger Side
Figure 8-1710**



ITEM	PART NUMBER	QTY	LINE	SERIES	BODY	ENGINE	TRANS	TRIM	DESCRIPTION
1									DOOR, Passenger Air Bag
	05104261AA	1	2, 6	L	01, 02, 06	EX8	DGJ		
		1	2, 6	L	11, 12, 14, 15, 16	EX8	DGJ		
		1	2, 6	L	51, 52, 54, 55, 56	EX8	DGJ		
		1	3, 7	L	02, 06	EX8	DGJ		
		1	3, 7	L	12, 15, 16	EX8	DGJ		
2									AIR BAG, Passenger
	05124934AA	1	2, 6	L	01, 02, 06	EX8	DGJ		
		1	2, 6	L	11, 12, 14, 15, 16	EX8	DGJ		
		1	2, 6	L	51, 52, 54, 55, 56	EX8	DGJ		
		1	3, 7	L	02, 06	EX8	DGJ		
		1	3, 7	L	12, 15, 16	EX8	DGJ		
3									BRACKET, Air Bag
	05122938AA	1	6, 2	L	01, 02, 06	EX8	DGJ		
		1	2, 6	L	11, 12, 14, 15, 16	EX8	DGJ		
		1	2, 6	L	51, 52, 54, 55, 56	EX8	DGJ		
		1	3, 7	L	02, 06	EX8	DGJ		
		1	3, 7	L	12, 15, 16	EX8	DGJ		
4									NUT, Clip-On
	05133420AA	2	2, 6	L	01, 02, 06	EX8	DGJ		
		2	2, 6	L	11, 12, 14, 15, 16	EX8	DGJ		
		2	2, 6	L	51, 52, 54, 55, 56	EX8	DGJ		
		1	3, 7	L	02, 06	EX8	DGJ		
		1	3, 7	L	12, 15, 16	EX8	DGJ		
5									SCREW

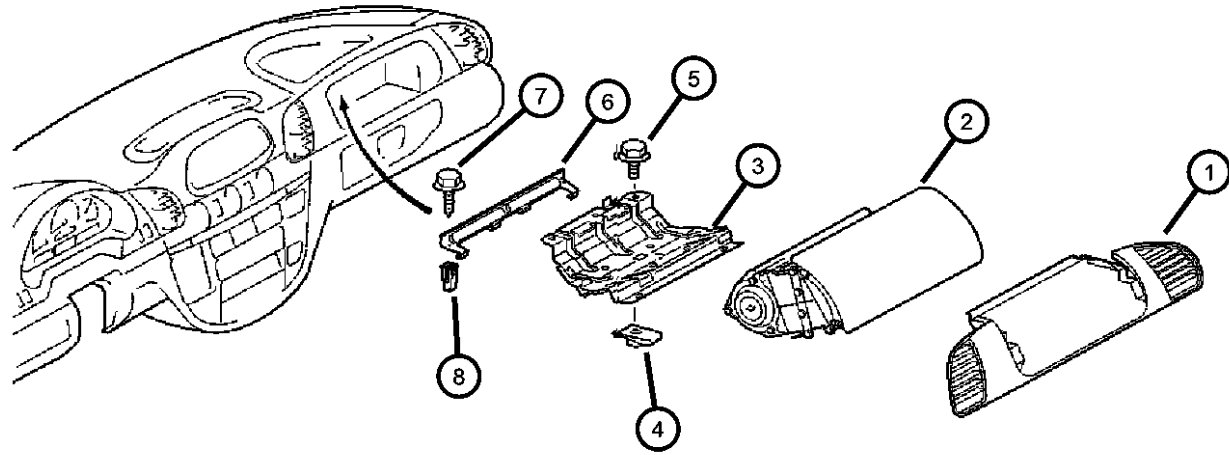
SPRINTER (VA)

SERIES	LINE	BODY	ENGINE	TRANSMISSION
L = LOWLINE	3 = HD DODGE 2WD 8 = HD DODGE 4WD 6 = Lt. Duty DODGE 4WD 2 = Med. Duty DODGE 2WD 7 = Med. Duty DODGE 4WD 4 = TRUCK	12 = Van 140" 51 = Wagon 118" 52 = Wagon 140" 14 = Van 118" 15 = Van 140" 16 = Van 158" 54 = Wagon 118" 55 = Wagon 140" 56 = Wagon 158" 01 = Chassis Forward Control 118" 02 = Chassis Forward Control 140" 06 = Front Section 158" 11 = Van 118"	EX8 = Engine - 2.7L I5 Mercedes-Benz TD	DGJ = Transmission - 5-Spd Auto, MB

AR = use ase required - = Non illustrated part

**Air Bag System Passenger Side
Figure 8-1710**

ITEM	PART NUMBER	QTY	LINE	SERIES	BODY	ENGINE	TRANS	TRIM	DESCRIPTION
	06104565AA	2	2, 6	L	01, 02, 06	EX8	DGJ		
		2	2, 6	L	11, 12, 14, 15, 16	EX8	DGJ		
		2	2, 6	L	51, 52, 54, 55, 56	EX8	DGJ		
		2	3, 7	L	02, 06	EX8	DGJ		
		2	3, 7	L	12, 15, 16	EX8	DGJ		
6									BRACKET, Instrument Panel
	05122388AA	1	2, 6	L	11, 12, 14, 15, 16	EX8			
		1	2, 6	L	51, 52, 54, 55, 56	EX8			
		1	3, 7	L	02, 06	EX8			
		1	3, 7	L	12, 15, 16	EX8			
		1	2, 6	L	01, 02, 06	EX8			
7		1							SCREW, (NOT SERVICED)
8									NUT, Plastic Snap-in
	05125576AA	2	2, 6	L	01, 02, 06	EX8	DGJ		
		2	2, 6	L	11, 12, 14, 15, 16	EX8	DGJ		
		2	2, 6	L	51, 52, 54, 55, 56	EX8	DGJ		
		2	3, 7	L	02, 06	EX8	DGJ		
		2	3, 7	L	12, 15, 16	EX8	DGJ		



SPRINTER (VA)

SERIES	LINE	BODY	ENGINE	TRANSMISSION
L = LOWLINE	3 = HD DODGE 2WD 8 = HD DODGE 4WD 6 = Lt. Duty DODGE 4WD 2 = Med. Duty DODGE 2WD 7 = Med. Duty DODGE 4WD 4 = TRUCK	12 = Van 140" 51 = Wagon 118" 52 = Wagon 140" 14 = Van 118" 15 = Van 140" 16 = Van 158" 54 = Wagon 118" 55 = Wagon 140" 56 = Wagon 158" 01 = Chassis Forward Control 118" 02 = Chassis Forward Control 140" 06 = Front Section 158" 11 = Van 118"	EX8 = Engine - 2.7L I5 Mercedes-Benz TD	DGJ = Transmission - 5-Spd Auto, MB

AR = use ase required - = Non illustrated part

2005 VA

**Park Assist, Back up Detection System
Figure 8-1805**

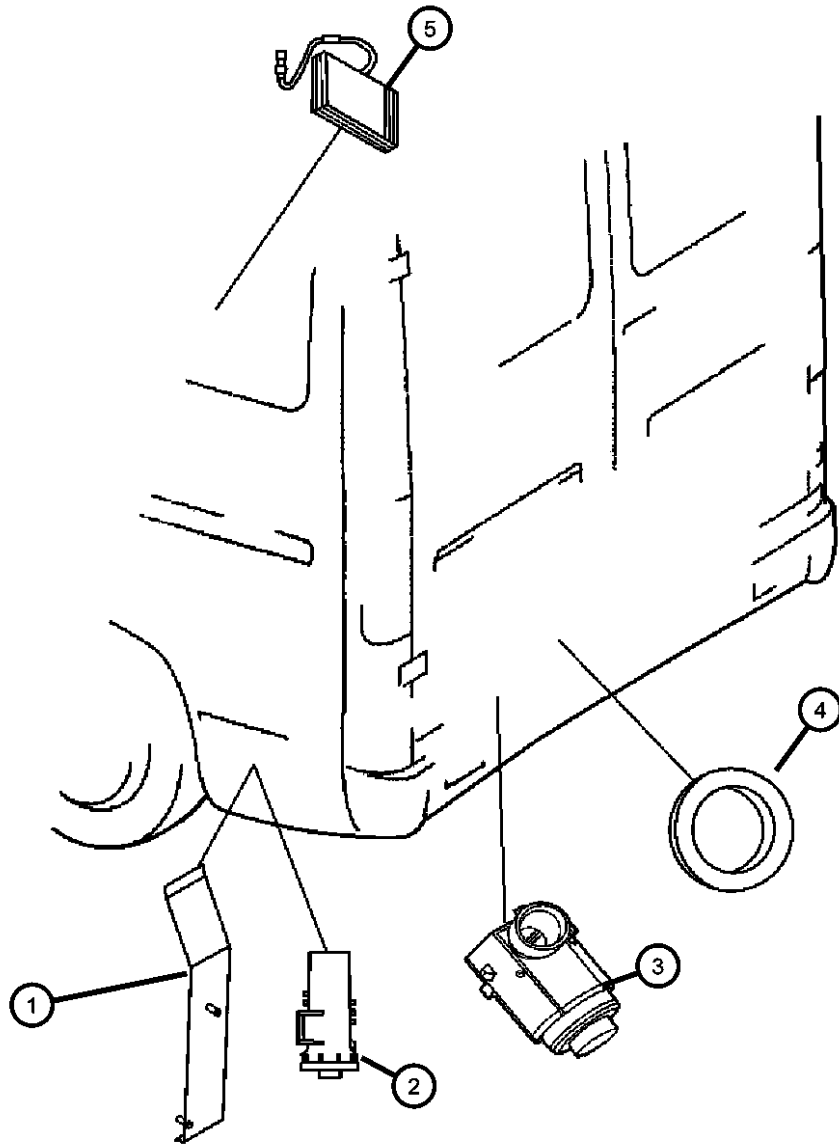
ITEM	PART NUMBER	QTY	LINE	SERIES	BODY	ENGINE	TRANS	TRIM	DESCRIPTION
1	05121731AA	1	2, 6	L	11, 12, 14, 15, 16	EX8	DGJ		BRACKET, Parktronics
		1	2, 6	L	51, 52, 54, 55, 56	EX8	DGJ		
		1	3, 7	L	12, 15, 16	EX8	DGJ		
2	05120828AA	1	2, 6	L	11, 12, 14, 15, 16	EX8	DGJ		MODULE, Parking Assist
		1	2, 6	L	51, 52, 54, 55, 56	EX8	DGJ		
		1	3, 7	L	12, 15, 16	EX8	DGJ		
3	05120341AA	4	2, 6	L	11, 12, 14, 15, 16	EX8	DGJ		SENSOR, Park Assist
		4	2, 6	L	51, 52, 54, 55, 56	EX8	DGJ		
		4	3, 7	L	12, 15, 16	EX8	DGJ		
4	05120375AA	4	2, 6	L	11, 12, 14, 15, 16	EX8	DGJ		SPACER, Sensor
		4	2, 6	L	51, 52, 54, 55, 56	EX8	DGJ		
		4	3, 7	L	12, 15, 16	EX8	DGJ		
5		4							DISPLAY, Parking Assist, AUDIOVOX SPECIALIZED APPLICATIONS, INC (ASA) 23319 COOPER DRIVE ELKHART, IN 48514 (219) 254-3135, (NOT SERVICED) ALARM
-6	05135946AA	1	2, 6	L	01, 02, 06	EX8	DGJ		
		1	2, 6	L	11, 12, 14, 15, 16	EX8	DGJ		
		1	2, 6	L	51, 52, 54, 55, 56	EX8	DGJ		

SPRINTER (VA)

SERIES	LINE	BODY	ENGINE	TRANSMISSION
L = LOWLINE	3 = HD DODGE 2WD 8 = HD DODGE 4WD 6 = Lt. Duty DODGE 4WD 2 = Med. Duty DODGE 2WD 7 = Med. Duty DODGE 4WD 4 = TRUCK	12 = Van 140" 51 = Wagon 118" 52 = Wagon 140" 14 = Van 118" 15 = Van 140" 16 = Van 158" 54 = Wagon 118" 55 = Wagon 140" 56 = Wagon 158" 01 = Chassis Forward Control 118" 02 = Chassis Forward Control 140" 06 = Front Section 158" 11 = Van 118"	EX8 = Engine - 2.7L I5 Mercedes-Benz TD	DGJ = Transmission - 5-Spd Auto, MB

AR = use ase required - = Non illustrated part

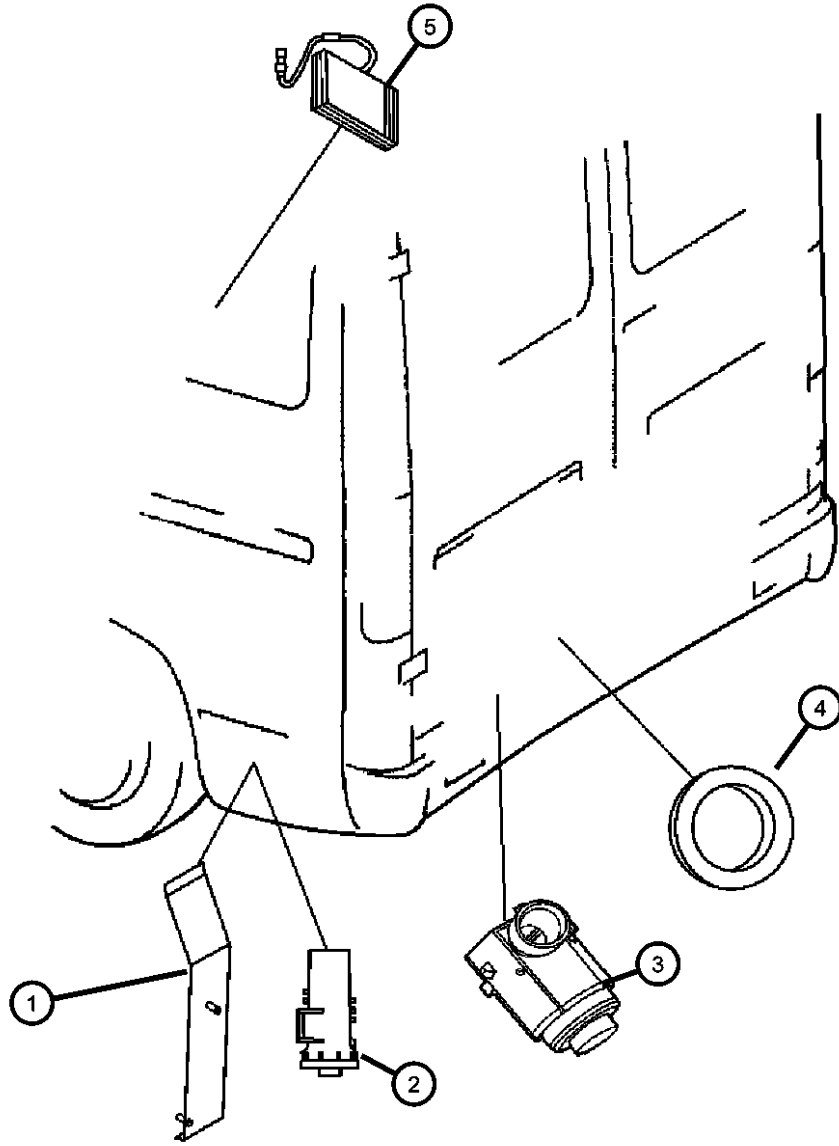
2005 VA



**Park Assist, Back up Detection System
Figure 8-1805**

ITEM	PART NUMBER	QTY	LINE	SERIES	BODY	ENGINE	TRANS	TRIM	DESCRIPTION
------	-------------	-----	------	--------	------	--------	-------	------	-------------

		1	3, 7	L	02, 06	EX8	DGJ		
		1	3, 7	L	12, 15, 16	EX8	DGJ		



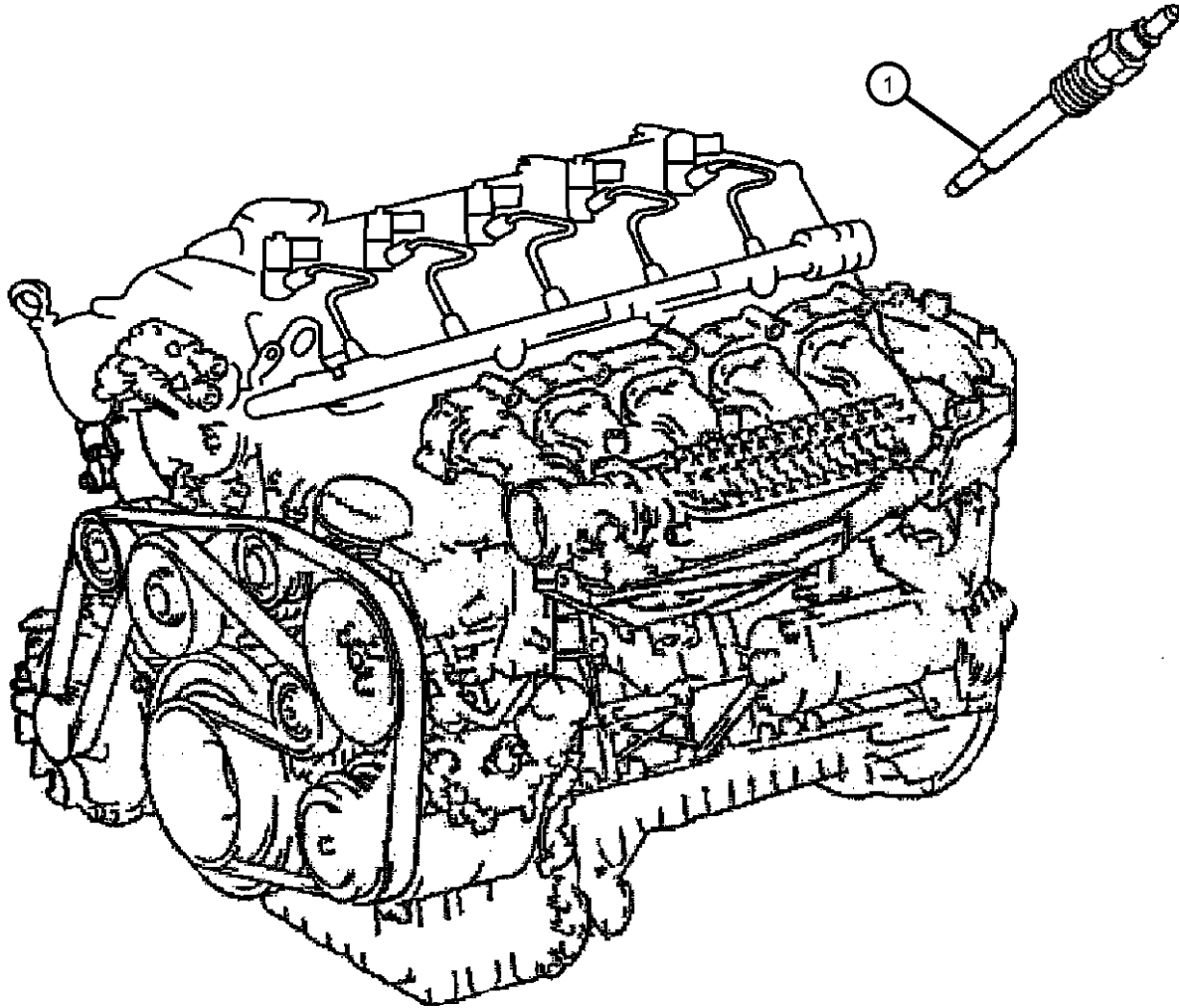
SPRINTER (VA)

SERIES	LINE	BODY	ENGINE	TRANSMISSION
L = LOWLINE	3 = HD DODGE 2WD 8 = HD DODGE 4WD 6 = Lt. Duty DODGE 4WD 2 = Med. Duty DODGE 2WD 7 = Med. Duty DODGE 4WD 4 = TRUCK	12 = Van 140" 51 = Wagon 118" 52 = Wagon 140" 14 = Van 118" 15 = Van 140" 16 = Van 158" 54 = Wagon 118" 55 = Wagon 140" 56 = Wagon 158" 01 = Chassis Forward Control 118" 02 = Chassis Forward Control 140" 06 = Front Section 158" 11 = Van 118"	EX8 = Engine - 2.7L I5 Mercedes-Benz TD	DGJ = Transmission - 5-Spd Auto, MB

AR = use ase required - = Non illustrated part

Glow Plugs
Figure 8-1910

ITEM	PART NUMBER	QTY	LINE	SERIES	BODY	ENGINE	TRANS	TRIM	DESCRIPTION
1	05117592AA	5	2, 3, 6, 7	L		EX8	DGJ		PLUG, Glow
-2	05103568AA	1	2, 6	L	01, 02, 06	EX8	DGJ		RELAY, Electrical
		1	2, 6	L	11, 12, 14, 15, 16	EX8	DGJ		
		1	2, 6	L	51, 52, 54, 55, 56	EX8	DGJ		
		1	3, 7	L	02, 06	EX8	DGJ		
		1	3, 7	L	12, 15, 16	EX8	DGJ		



SPRINTER (VA)

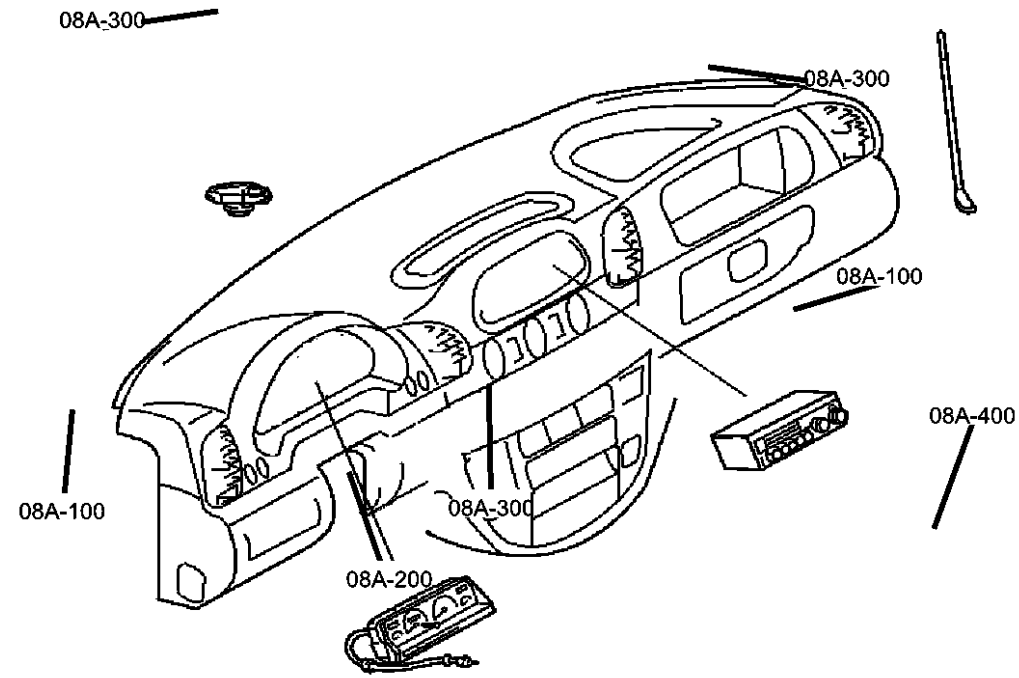
SERIES	LINE	BODY	ENGINE	TRANSMISSION
L = LOWLINE	3 = HD DODGE 2WD 8 = HD DODGE 4WD 6 = Lt. Duty DODGE 4WD 2 = Med. Duty DODGE 2WD 7 = Med. Duty DODGE 4WD 4 = TRUCK	12 = Van 140" 51 = Wagon 118" 52 = Wagon 140" 14 = Van 118" 15 = Van 140" 16 = Van 158" 54 = Wagon 118" 55 = Wagon 140" 56 = Wagon 158" 01 = Chassis Forward Control 118" 02 = Chassis Forward Control 140" 06 = Front Section 158" 11 = Van 118"	EX8 = Engine - 2.7L I5 Mercedes-Benz TD	DGJ = Transmission - 5-Spd Auto, MB

AR = use ase required - = Non illustrated part

2005 VA

Group - 08A

Instrument Panel and Radios and Consoles



Group - 08A Instrument Panel and Radios and Consoles

Illustration Title

Group-Fig. No.

Instrument Panel

Instrument Panel	Fig. 08A - 105
Instrument Panel Bezel and Related Parts	Fig. 08A - 110
Ash Receiver and Glove Box	Fig. 08A - 115
Instrument Panel Cover and Related Parts	Fig. 08A - 120
Instrument Panel Reinforcement	Fig. 08A - 125

Instrument Panel Cluster

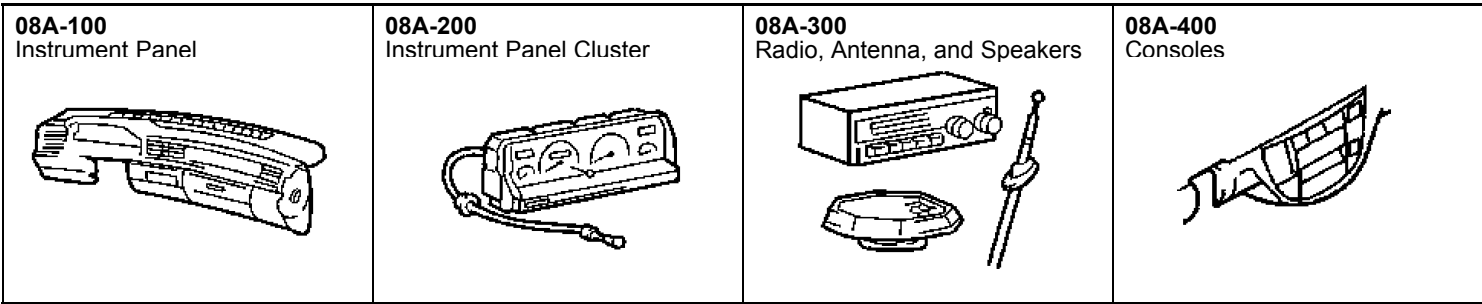
Instrument Panel Cluster	Fig. 08A - 205
--------------------------------	----------------

Radio, Antenna, and Speakers

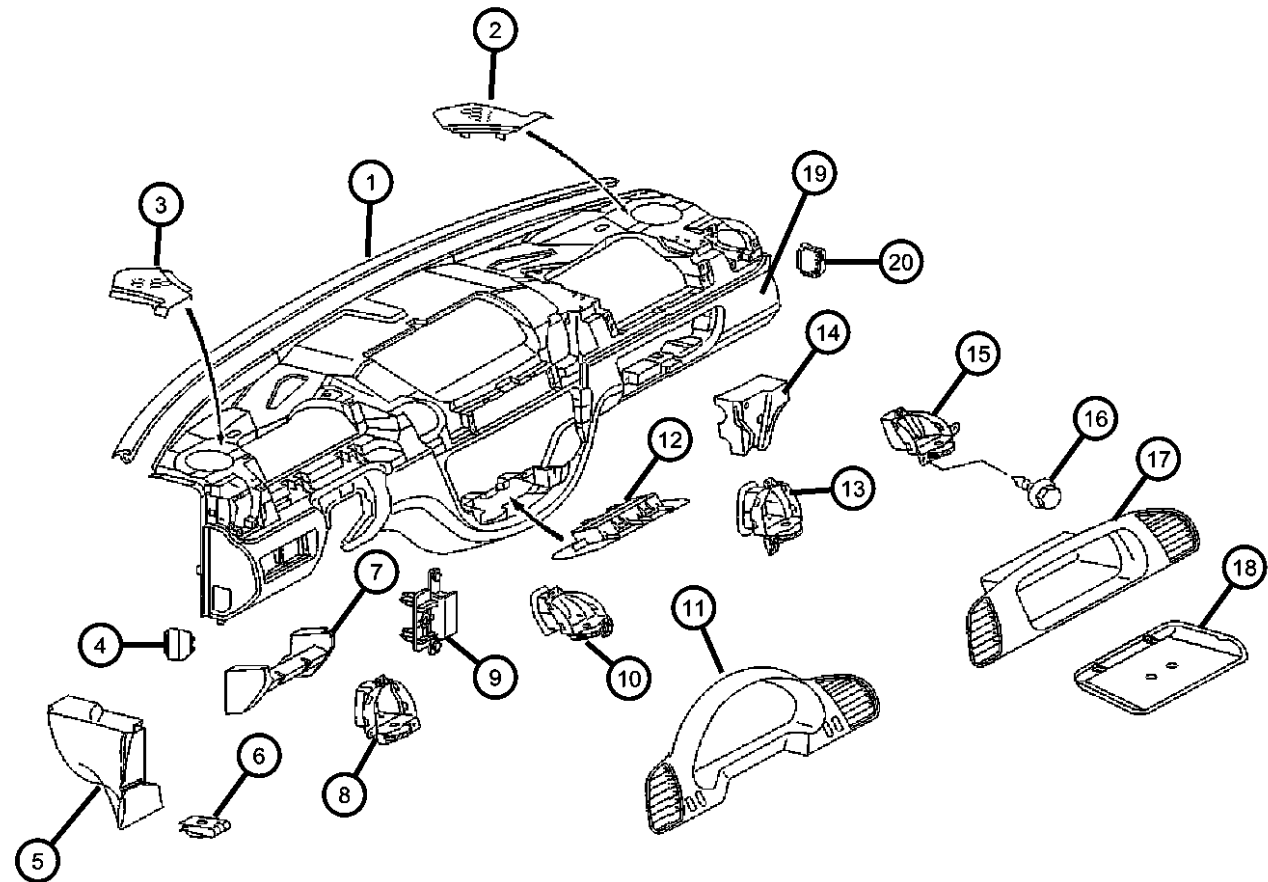
Radio	Fig. 08A - 305
Antenna	Fig. 08A - 310
Speakers	Fig. 08A - 315

Consoles

Console Cup Holder	Fig. 08A - 405
--------------------------	----------------



**Instrument Panel
Figure 08A-105**



ITEM	PART NUMBER	QTY	LINE	SERIES	BODY	ENGINE	TRANS	TRIM	DESCRIPTION
									NOTES: Sales Codes [DGJ] = 5 Speed Auto W5A580 Transmission [EX8] = 2.7L I5 Mercedes-Benz TD Engine
1									SEAL, Windshield
	05122955AA	1	2, 6	L	01, 02, 06	EX8	DGJ		
		1	2, 6	L	11, 12, 14, 15, 16	EX8	DGJ		
		1	2, 6	L	51, 52, 54, 55, 56	EX8	DGJ		
		1	3, 7	L	02, 06	EX8	DGJ		
		1	3, 7	L	12, 15, 16	EX8	DGJ		
2									COVER, Speaker Opening
	05104270AA	1	2, 6	L	01, 02, 06	EX8	DGJ		
		1	2, 6	L	11, 12, 14, 15, 16	EX8	DGJ		
		1	2, 6	L	51, 52, 54, 55, 56	EX8	DGJ		
		1	3, 7	L	02, 06	EX8	DGJ		
		1	3, 7	L	12, 15, 16	EX8	DGJ		
3									COVER, Speaker Opening
	05104269AA	1	2, 6	L	11, 12, 14, 15, 16	EX8	DGJ		
		1	2, 6	L	01, 02, 06	EX8	DGJ		
		1	2, 6	L	51, 52, 54, 55, 56	EX8	DGJ		
		1	3, 7	L	02, 06	EX8	DGJ		
		1	3, 7	L	12, 15, 16	EX8	DGJ		
4									PLUG, Instrument Panel
	05103919AA	2	2, 6	L	01, 02, 06	EX8	DGJ		
		2	2, 6	L	11, 12, 14, 15, 16	EX8	DGJ		
		2	2, 6	L	51, 52, 54, 55, 56	EX8	DGJ		

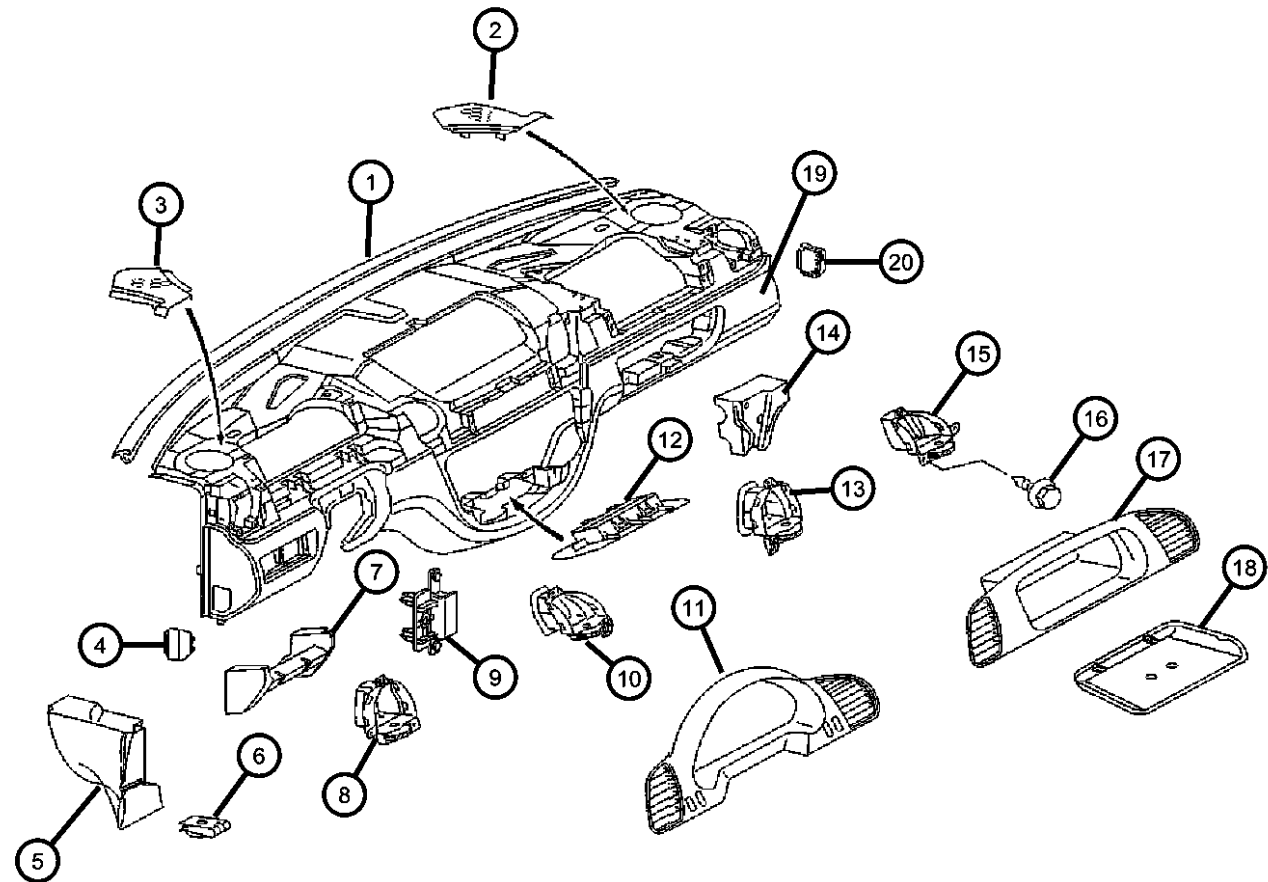
SPRINTER (VA)

SERIES	LINE	BODY	ENGINE	TRANSMISSION
L = LOWLINE	3 = HD DODGE 2WD 8 = HD DODGE 4WD 6 = Lt. Duty DODGE 4WD 2 = Med. Duty DODGE 2WD 7 = Med. Duty DODGE 4WD 4 = TRUCK	12 = Van 140" 51 = Wagon 118" 52 = Wagon 140" 14 = Van 118" 15 = Van 140" 16 = Van 158" 54 = Wagon 118" 55 = Wagon 140" 56 = Wagon 158" 01 = Chassis Forward Control 118" 02 = Chassis Forward Control 140" 06 = Front Section 158" 11 = Van 118"	EX8 = Engine - 2.7L I5 Mercedes-Benz TD	DGJ = Transmission - 5-Spd Auto, MB

AR = use ase required - = Non illustrated part

**Instrument Panel
Figure 08A-105**

ITEM	PART NUMBER	QTY	LINE	SERIES	BODY	ENGINE	TRANS	TRIM	DESCRIPTION
		2	3, 7	L	02, 06	EX8	DGJ		
		2	3, 7	L	12, 15, 16	EX8	DGJ		
5	05122934AA	1	3, 7	L	12, 15, 16	EX8	DGJ		END CAP, Instrument Panel
		1	2, 6	L	01, 02, 06	EX8	DGJ		
		1	2, 6	L	11, 12, 14, 15, 16	EX8	DGJ		
		1	2, 6	L	51, 52, 54, 55, 56	EX8	DGJ		
		1	3, 7	L	02, 06	EX8	DGJ		
6	05133416AA	99	2, 6	L	01, 02, 06	EX8	DGJ		NUT, Spring U Type
		99	2, 6	L	11, 12, 14, 15, 16	EX8	DGJ		
		99	2, 6	L	51, 52, 54, 55, 56	EX8	DGJ		
		4	3, 7	L	02, 06	EX8	DGJ		
		4	3, 7	L	12, 15, 16	EX8	DGJ		
7	05122933AA	1	2, 6	L	01, 02, 06	EX8	DGJ		PAD, Instrument Panel
		1	2, 6	L	11, 12, 14, 15, 16	EX8	DGJ		
		1	2, 6	L	51, 52, 54, 55, 56	EX8	DGJ		
		1	3, 7	L	02, 06	EX8	DGJ		
		1	3, 7	L	12, 15, 16	EX8	DGJ		
8	05104252AA	1	2, 6	L	51, 52, 54, 55, 56	EX8	DGJ		OUTLET, Air Left, Cluster Bezel
		1	2, 6	L	01, 02, 06	EX8	DGJ		Left, Cluster Bezel
		1	2, 6	L	11, 12, 14, 15, 16	EX8	DGJ		Left, Cluster Bezel

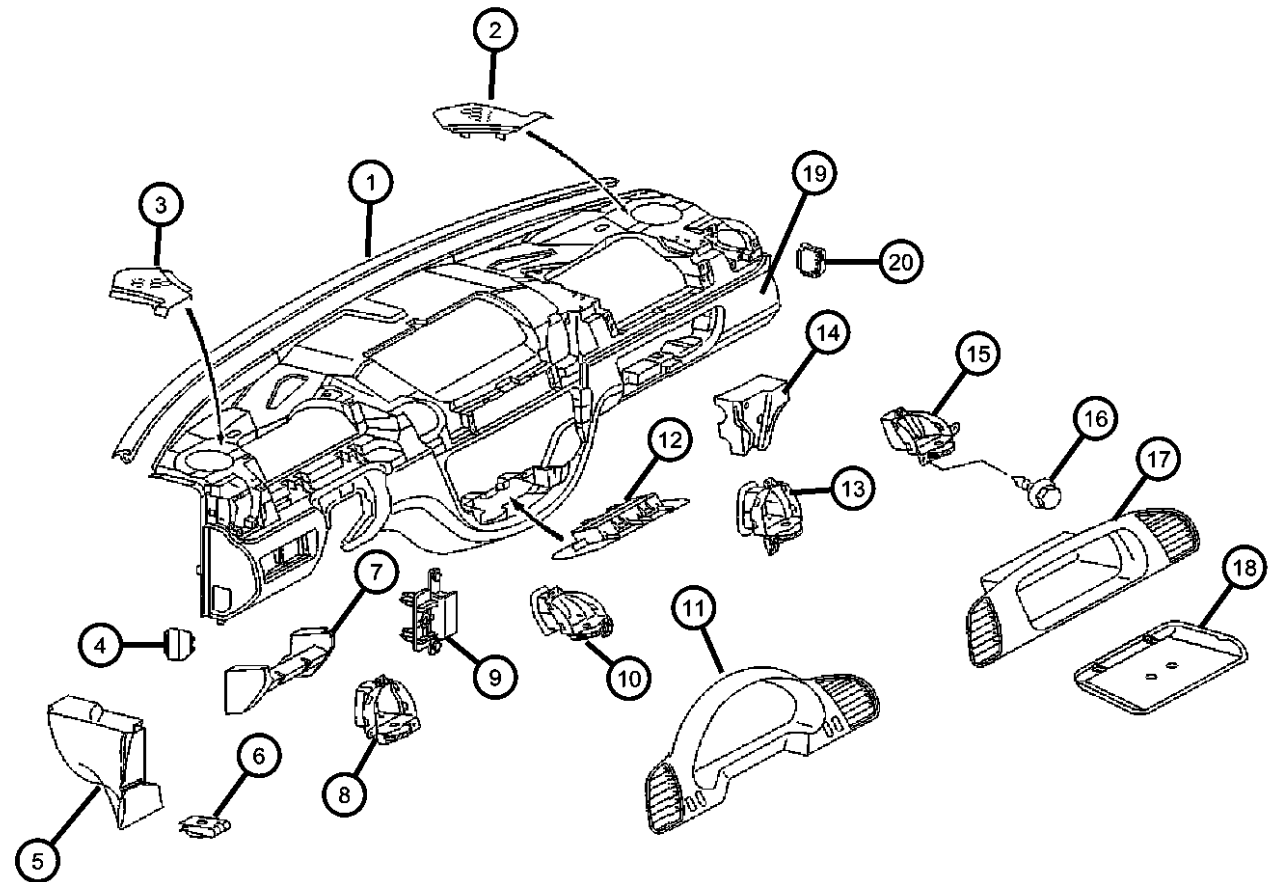


SPRINTER (VA)

SERIES	LINE	BODY	ENGINE	TRANSMISSION
L = LOWLINE	3 = HD DODGE 2WD 8 = HD DODGE 4WD 6 = Lt. Duty DODGE 4WD 2 = Med. Duty DODGE 2WD 7 = Med. Duty DODGE 4WD 4 = TRUCK	12 = Van 140" 51 = Wagon 118" 52 = Wagon 140" 14 = Van 118" 15 = Van 140" 16 = Van 158" 54 = Wagon 118" 55 = Wagon 140" 56 = Wagon 158" 01 = Chassis Forward Control 118" 02 = Chassis Forward Control 140" 06 = Front Section 158" 11 = Van 118"	EX8 = Engine - 2.7L I5 Mercedes-Benz TD	DGJ = Transmission - 5-Spd Auto, MB

AR = use ase required - = Non illustrated part

**Instrument Panel
Figure 08A-105**



ITEM	PART NUMBER	QTY	LINE	SERIES	BODY	ENGINE	TRANS	TRIM	DESCRIPTION
		1	3, 7	L	02, 06	EX8	DGJ		Left
		1	3, 7	L	12, 15, 16	EX8	DGJ		Left
9									BRACKET, Mounting
	05122891AA	2	2, 6	L	01, 02, 06	EX8	DGJ		Heater Control
		2	2, 6	L	11, 12, 14, 15, 16	EX8	DGJ		Heater Control
		2	2, 6	L	51, 52, 54, 55, 56	EX8	DGJ		Heater Control
		2	3, 7	L	02, 06	EX8	DGJ		Heater Control
		2	3, 7	L	12, 15, 16	EX8	DGJ		Heater Control
10									OUTLET, Air
	05104253AA	1	2, 6	L	01, 02, 06	EX8	DGJ		Right, Cluster Bezel
		1	2, 6	L	11, 12, 14, 15, 16	EX8	DGJ		Right, Cluster Bezel
		1	2, 6	L	51, 52, 54, 55, 56	EX8	DGJ		Right, Cluster Bezel
		1	3, 7	L	02, 06	EX8	DGJ		Right, Cluster Bezel
		1	3, 7	L	12, 15, 16	EX8	DGJ		Right, Cluster Bezel
11									BEZEL, Cluster
	05104262AA	1	2, 6	L	01, 02, 06	EX8	DGJ		
		1	2, 6	L	11, 12, 14, 15, 16	EX8	DGJ		
		1	2, 6	L	51, 52, 54, 55, 56	EX8	DGJ		
		1	3, 7	L	02, 06	EX8	DGJ		
		1	3, 7	L	12, 15, 16	EX8	DGJ		
12									COVER, Instrument Panel
	05122927AA	1	2, 6	L	01, 02, 06	EX8	DGJ		End Cap
		1	2, 6	L	11, 12, 14, 15, 16	EX8	DGJ		End Cap
		1	2, 6	L	51, 52, 54, 55, 56	EX8	DGJ		End Cap

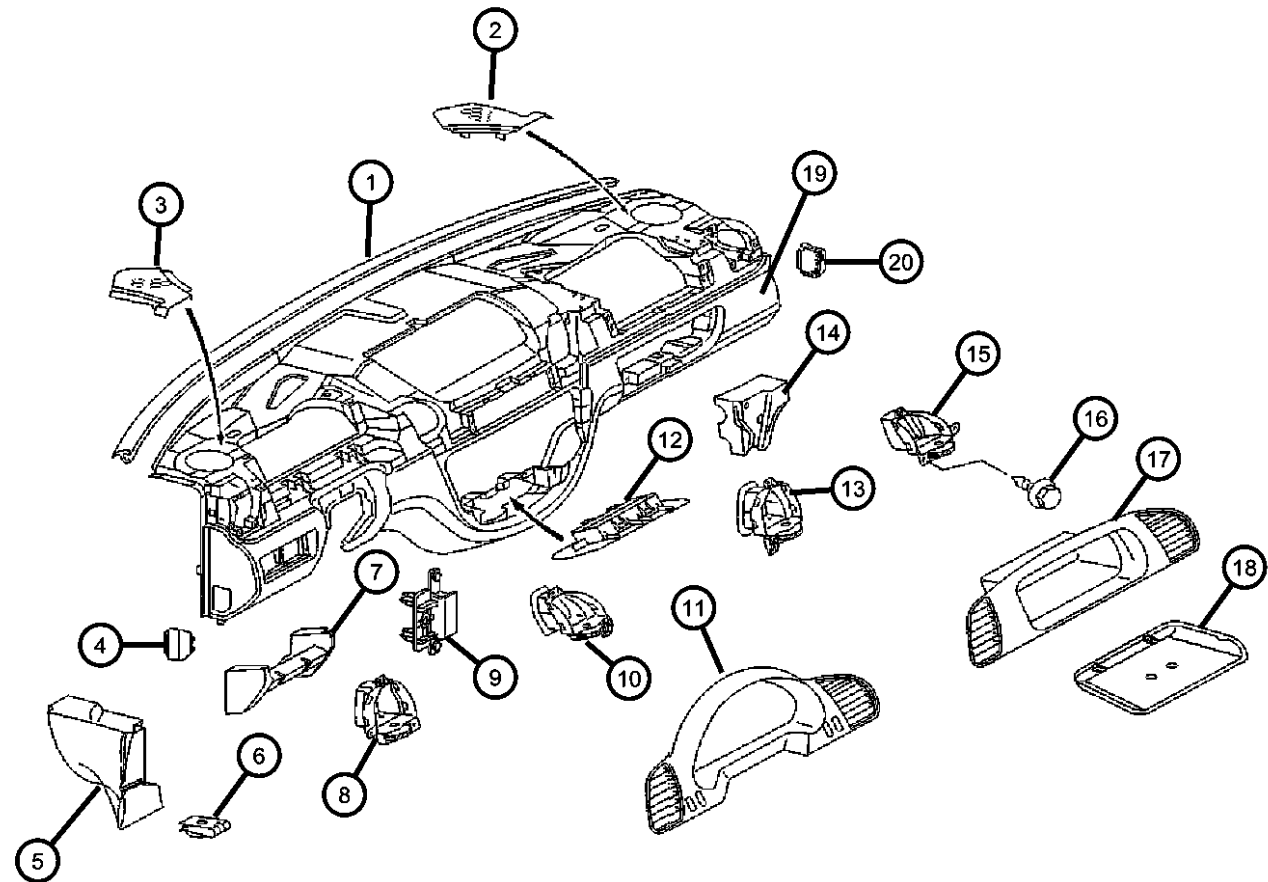
SPRINTER (VA)

SERIES	LINE	BODY	ENGINE	TRANSMISSION
L = LOWLINE	3 = HD DODGE 2WD 8 = HD DODGE 4WD 6 = Lt. Duty DODGE 4WD 2 = Med. Duty DODGE 2WD 7 = Med. Duty DODGE 4WD 4 = TRUCK	12 = Van 140" 51 = Wagon 118" 52 = Wagon 140" 14 = Van 118" 15 = Van 140" 16 = Van 158" 54 = Wagon 118" 55 = Wagon 140" 56 = Wagon 158" 01 = Chassis Forward Control 118" 02 = Chassis Forward Control 140" 06 = Front Section 158" 11 = Van 118"	EX8 = Engine - 2.7L I5 Mercedes-Benz TD	DGJ = Transmission - 5-Spd Auto, MB

AR = use ase required - = Non illustrated part

2005 VA

**Instrument Panel
Figure 08A-105**



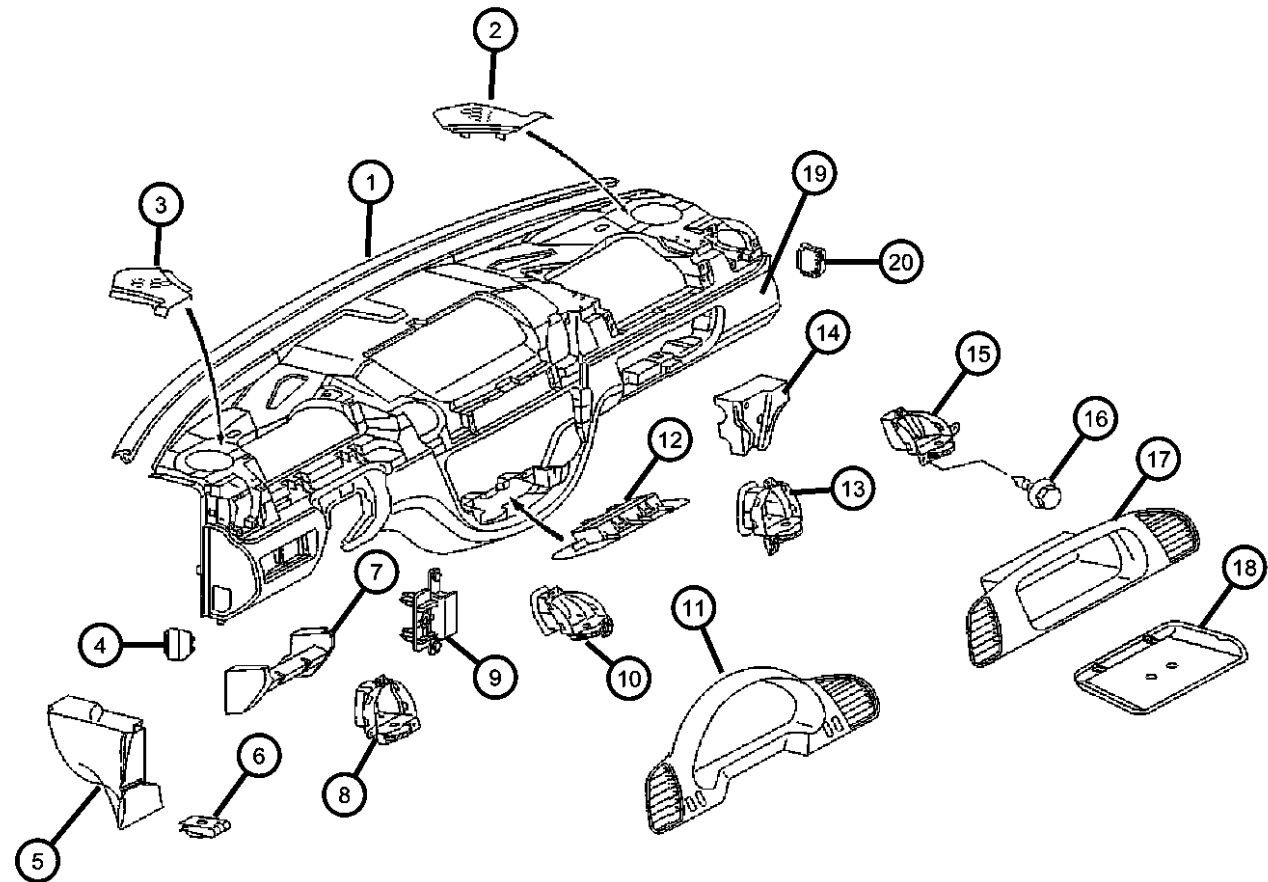
ITEM	PART NUMBER	QTY	LINE	SERIES	BODY	ENGINE	TRANS	TRIM	DESCRIPTION
		1	3, 7	L	02, 06	EX8	DGJ		End Cap
		1	3, 7	L	12, 15, 16	EX8	DGJ		End Cap
13									OUTLET, Air
	05104256AA	1	2, 6	L	01, 02, 06	EX8	DGJ		
		1	2, 6	L	11, 12, 14, 15, 16	EX8	DGJ		
		1	2, 6	L	51, 52, 54, 55, 56	EX8	DGJ		
		1	3, 7	L	02, 06	EX8	DGJ		
		1	3, 7	L	12, 15, 16	EX8	DGJ		
14									PAD, Instrument Panel
	05122932AA	1	2, 6	L	01, 02, 06	EX8	DGJ		
		1	2, 6	L	11, 12, 14, 15, 16	EX8	DGJ		
		1	2, 6	L	51, 52, 54, 55, 56	EX8	DGJ		
		1	3, 7	L	02, 06	EX8	DGJ		
		1	3, 7	L	12, 15, 16	EX8	DGJ		
15									OUTLET, Air
	05104258AA	1	2, 6	L	01, 02, 06	EX8	DGJ		
		1	2, 6	L	11, 12, 14, 15, 16	EX8	DGJ		
		1	2, 6	L	51, 52, 54, 55, 56	EX8	DGJ		
		1	3, 7	L	02, 06	EX8	DGJ		
		1	3, 7	L	12, 15, 16	EX8	DGJ		
16									SCREW
	06104610AA	8	2, 6	L	01, 02, 06	EX8	DGJ		
		5	2, 6	L	11, 12, 14, 15, 16	EX8	DGJ		
		5	2, 6	L	51, 52, 54, 55, 56	EX8	DGJ		

SPRINTER (VA)

SERIES	LINE	BODY	ENGINE	TRANSMISSION
L = LOWLINE	3 = HD DODGE 2WD 8 = HD DODGE 4WD 6 = Lt. Duty DODGE 4WD 2 = Med. Duty DODGE 2WD 7 = Med. Duty DODGE 4WD 4 = TRUCK	12 = Van 140" 51 = Wagon 118" 52 = Wagon 140" 14 = Van 118" 15 = Van 140" 16 = Van 158" 54 = Wagon 118" 55 = Wagon 140" 56 = Wagon 158" 01 = Chassis Forward Control 118" 02 = Chassis Forward Control 140" 06 = Front Section 158" 11 = Van 118"	EX8 = Engine - 2.7L I5 Mercedes-Benz TD	DGJ = Transmission - 5-Spd Auto, MB

AR = use ase required - = Non illustrated part

**Instrument Panel
Figure 08A-105**



ITEM	PART NUMBER	QTY	LINE	SERIES	BODY	ENGINE	TRANS	TRIM	DESCRIPTION
		8	3, 7	L	02, 06	EX8	DGJ		
		8	3, 7	L	12, 15, 16	EX8	DGJ		
17	05104261AA	1	2, 6	L	01, 02, 06	EX8	DGJ		DOOR, Passenger Air Bag
		1	2, 6	L	11, 12, 14, 15, 16	EX8	DGJ		Passenger Side, Without Air Bag
		1	2, 6	L	51, 52, 54, 55, 56	EX8	DGJ		Passenger Side, Without Air Bag
		1	3, 7	L	02, 06	EX8	DGJ		Passenger Side, Without Air Bag
		1	3, 7	L	12, 15, 16	EX8	DGJ		Passenger Side, Without Air Bag
18	05122952AA	1	2, 6	L	01, 02, 06	EX8	DGJ		TRAY, Instrument Panel
		1	2, 6	L	11, 12, 14, 15, 16	EX8	DGJ		
		1	2, 6	L	51, 52, 54, 55, 56	EX8	DGJ		
		1	3, 7	L	02, 06	EX8	DGJ		
		1	3, 7	L	12, 15, 16	EX8	DGJ		
19	05122362AA	1	2, 6	L	01, 02, 06	EX8	DGJ		PANEL, Instrument
		1	2, 6	L	11, 12, 14, 15, 16	EX8	DGJ		
		1	2, 6	L	51, 52, 54, 55, 56	EX8	DGJ		
		1	3, 7	L	02, 06	EX8	DGJ		
		1	3, 7	L	12, 15, 16	EX8	DGJ		
20	05122919AA	1	2, 6	L	01, 02, 06	EX8	DGJ		PLUG, Instrument Panel
		1	2, 6	L	11, 12, 14, 15, 16	EX8	DGJ		Left
		1	2, 6	L	51, 52, 54, 55, 56	EX8	DGJ		Left

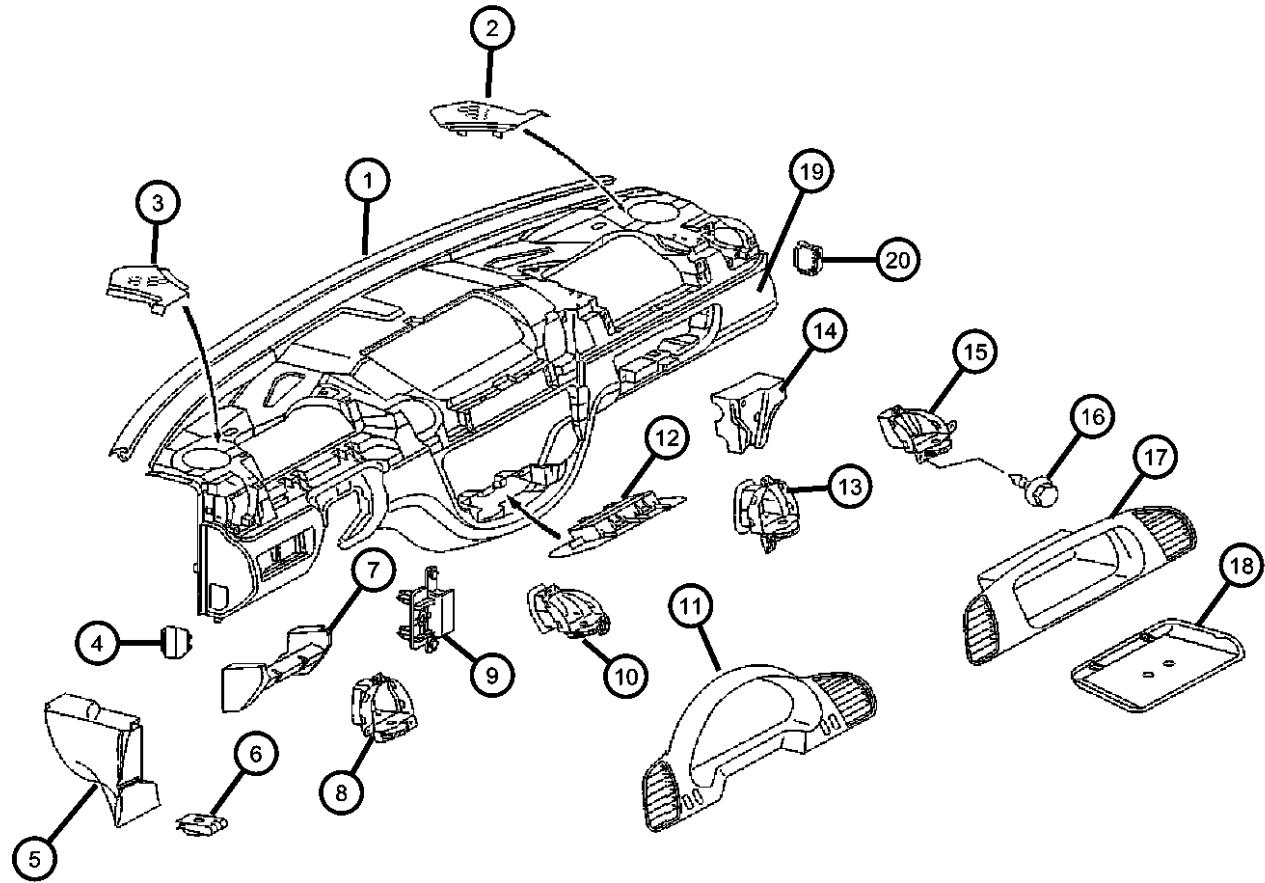
SPRINTER (VA)

SERIES	LINE	BODY	ENGINE	TRANSMISSION
L = LOWLINE	3 = HD DODGE 2WD 8 = HD DODGE 4WD 6 = Lt. Duty DODGE 4WD 2 = Med. Duty DODGE 2WD 7 = Med. Duty DODGE 4WD 4 = TRUCK	12 = Van 140" 51 = Wagon 118" 52 = Wagon 140" 14 = Van 118" 15 = Van 140" 16 = Van 158" 54 = Wagon 118" 55 = Wagon 140" 56 = Wagon 158" 01 = Chassis Forward Control 118" 02 = Chassis Forward Control 140" 06 = Front Section 158" 11 = Van 118"	EX8 = Engine - 2.7L I5 Mercedes-Benz TD	DGJ = Transmission - 5-Spd Auto, MB

AR = use ase required - = Non illustrated part

**Instrument Panel
Figure 08A-105**

ITEM	PART NUMBER	QTY	LINE	SERIES	BODY	ENGINE	TRANS	TRIM	DESCRIPTION
		1	3, 7	L	02, 06	EX8	DGJ		Left
		1	3, 7	L	12, 15, 16	EX8	DGJ		Left
	05122921AA	1	2, 6	L	01, 02, 06	EX8	DGJ		Right
		1	2, 6	L	11, 12, 14, 15, 16	EX8	DGJ		Right
		1	2, 6	L	51, 52, 54, 55, 56	EX8	DGJ		Right
		1	3, 7	L	02, 06	EX8	DGJ		Right
		1	3, 7	L	12, 15, 16	EX8	DGJ		Right



SPRINTER (VA)

SERIES

L = LOWLINE

LINE

3 = HD DODGE 2WD
 8 = HD DODGE 4WD
 6 = Lt. Duty DODGE 4WD
 2 = Med. Duty DODGE 2WD
 7 = Med. Duty DODGE 4WD
 4 = TRUCK

BODY

12 = Van 140"
 51 = Wagon 118"
 52 = Wagon 140"
 14 = Van 118"
 15 = Van 140"
 16 = Van 158"
 54 = Wagon 118"
 55 = Wagon 140"
 56 = Wagon 158"
 01 = Chassis Forward Control
 118"
 02 = Chassis Forward Control
 140"
 06 = Front Section 158"
 11 = Van 118"

ENGINE

EX8 = Engine - 2.7L I5
 Mercedes-Benz TD

TRANSMISSION

DGJ = Transmission - 5-Spd Auto, MB

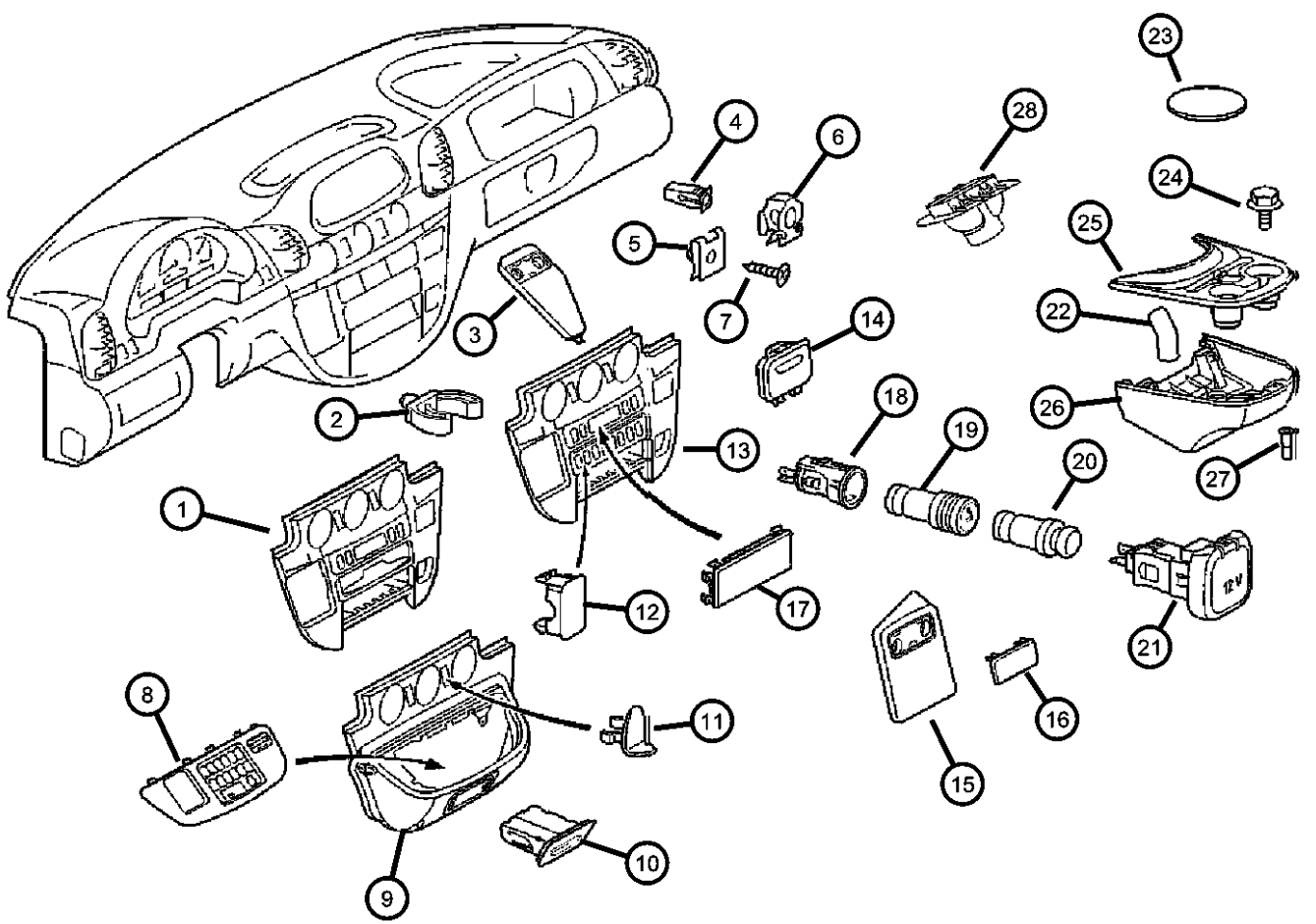
AR = use ase required - = Non illustrated part

2005 VA

Instrument Panel Bezel and Related Parts
Figure 08A-110

ITEM	PART NUMBER	QTY	LINE	SERIES	BODY	ENGINE	TRANS	TRIM	DESCRIPTION
------	-------------	-----	------	--------	------	--------	-------	------	-------------

NOTES:
Sales Codes:
[DGJ] = 5 Speed Auto W5A580 Transmission
[EX8] = 2.7L I5 Mercedes-Benz TD Engine



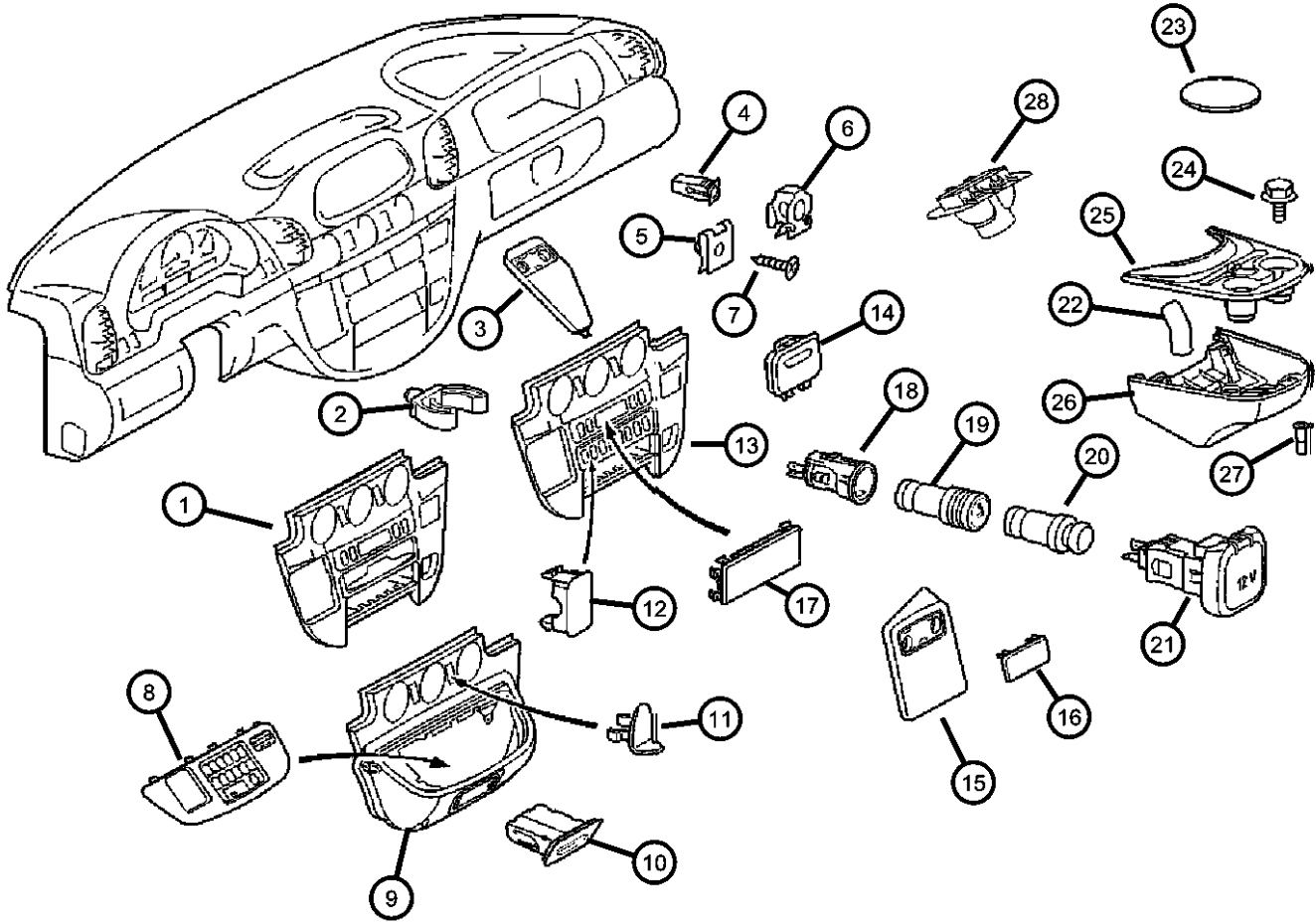
1									BEZEL, Instrument Panel, Center
	05122372AA	1	2, 6	L	01, 02, 06			DGJ	
		1	2, 6	L	11, 12, 14, 15, 16			DGJ	
		1	2, 6	L	51, 52, 54, 55, 56			DGJ	
		1	3, 7	L	02, 06			DGJ	
		1	3, 7	L	12, 15, 16			DGJ	
2									CLIP, U Type
	05125582AA	2	2, 6	L	01, 02, 06	EX8		DGJ	Paneling to Right B Pillar
		6	2, 6	L	11, 12, 14, 15, 16	EX8		DGJ	Paneling to Right B Pillar
		6	2, 6	L	51, 52, 54, 55, 56	EX8		DGJ	Paneling to Right B Pillar
		2	3, 7	L	02, 06	EX8		DGJ	Paneling to Right B Pillar
		6	3, 7	L	12, 15, 16	EX8		DGJ	Paneling to Right B Pillar
3									BRACKET, Instrument Panel
	05122388AA	1	2, 6	L	51, 52, 54, 55, 56	EX8			
		1	3, 7	L	02, 06	EX8			
		1	2, 6	L	01, 02, 06	EX8			
		1	2, 6	L	11, 12, 14, 15, 16	EX8			
		1	3, 7	L	12, 15, 16	EX8			
4									NUT, Plastic Snap-in
	05125576AA	2	2, 6	L	51, 52, 54, 55, 56	EX8		DGJ	
		2	2, 6	L	01, 02, 06	EX8		DGJ	
		2	2, 6	L	11, 12, 14, 15, 16	EX8		DGJ	

SPRINTER (VA)

SERIES	LINE	BODY	ENGINE	TRANSMISSION
L = LOWLINE	3 = HD DODGE 2WD	12 = Van 140"	EX8 = Engine - 2.7L I5 Mercedes-Benz TD	DGJ = Transmission - 5-Spd Auto, MB
	8 = HD DODGE 4WD	51 = Wagon 118"		
	6 = Lt. Duty DODGE 4WD	52 = Wagon 140"		
	2 = Med. Duty DODGE 2WD	14 = Van 118"		
	7 = Med. Duty DODGE 4WD	15 = Van 140"		
	4 = TRUCK	16 = Van 158"		
		54 = Wagon 118"		
		55 = Wagon 140"		
		56 = Wagon 158"		
		01 = Chassis Forward Control 118"		
		02 = Chassis Forward Control 140"		
		06 = Front Section 158"		
		11 = Van 118"		

AR = use ase required - = Non illustrated part

**Instrument Panel Bezel and Related Parts
Figure 08A-110**

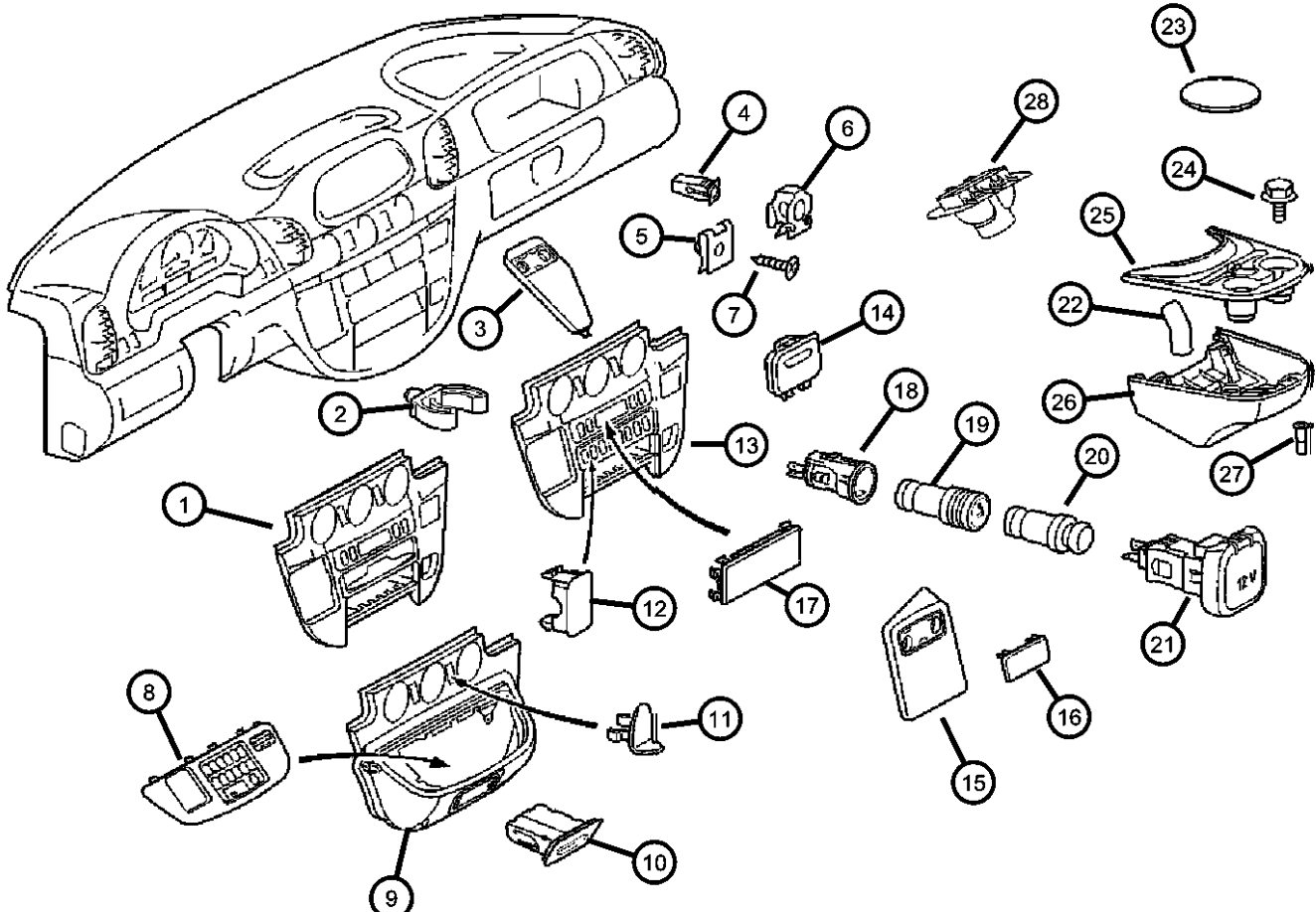


ITEM	PART NUMBER	QTY	LINE	SERIES	BODY	ENGINE	TRANS	TRIM	DESCRIPTION
		2	3, 7	L	02, 06	EX8	DGJ		
		2	3, 7	L	12, 15, 16	EX8	DGJ		
5	05125857AA	5	3, 7	L	12, 15, 16	EX8	DGJ		NUT, Clip-On
		5	2, 6	L	01, 02, 06	EX8	DGJ		
		5	2, 6	L	11, 12, 14, 15, 16	EX8	DGJ		
		5	2, 6	L	51, 52, 54, 55, 56	EX8	DGJ		
		5	3, 7	L	02, 06	EX8	DGJ		
6	05125861AA	2	2, 6	L	01, 02, 06	EX8	DGJ		NUT, Spring
		2	2, 6	L	11, 12, 14, 15, 16	EX8	DGJ		
		2	2, 6	L	51, 52, 54, 55, 56	EX8	DGJ		
		2	3, 7	L	02, 06	EX8	DGJ		
		2	3, 7	L	12, 15, 16	EX8	DGJ		
7	06104610AA	5	2, 6	L	11, 12, 14, 15, 16	EX8	DGJ		SCREW
		5	2, 6	L	01, 02, 06	EX8	DGJ		
		5	3, 7	L	02, 06	EX8	DGJ		
		5	3, 7	L	12, 15, 16	EX8	DGJ		
		5	2, 6	L	51, 52, 54, 55, 56	EX8	DGJ		
8	05122928AA	1	2, 6	L	11, 12, 14, 15, 16	EX8	DGJ		BEZEL, Center Console
		1	2, 6	L	51, 52, 54, 55, 56	EX8	DGJ		
		1	3, 7	L	02, 06	EX8	DGJ		

SPRINTER (VA)
 SERIES LINE BODY ENGINE TRANSMISSION
 L = LOWLINE 3 = HD DODGE 2WD 12 = Van 140" EX8 = Engine - 2.7L I5 DGJ = Transmission - 5-Spd Auto, MB
 8 = HD DODGE 4WD 51 = Wagon 118" Mercedes-Benz TD
 6 = Lt. Duty DODGE 4WD 52 = Wagon 140"
 2 = Med. Duty DODGE 2WD 14 = Van 118"
 7 = Med. Duty DODGE 4WD 15 = Van 140"
 4 = TRUCK 16 = Van 158"
 54 = Wagon 118"
 55 = Wagon 140"
 56 = Wagon 158"
 01 = Chassis Forward Control
 118"
 02 = Chassis Forward Control
 140"
 06 = Front Section 158"
 11 = Van 118"

AR = use ase required - = Non illustrated part

**Instrument Panel Bezel and Related Parts
Figure 08A-110**

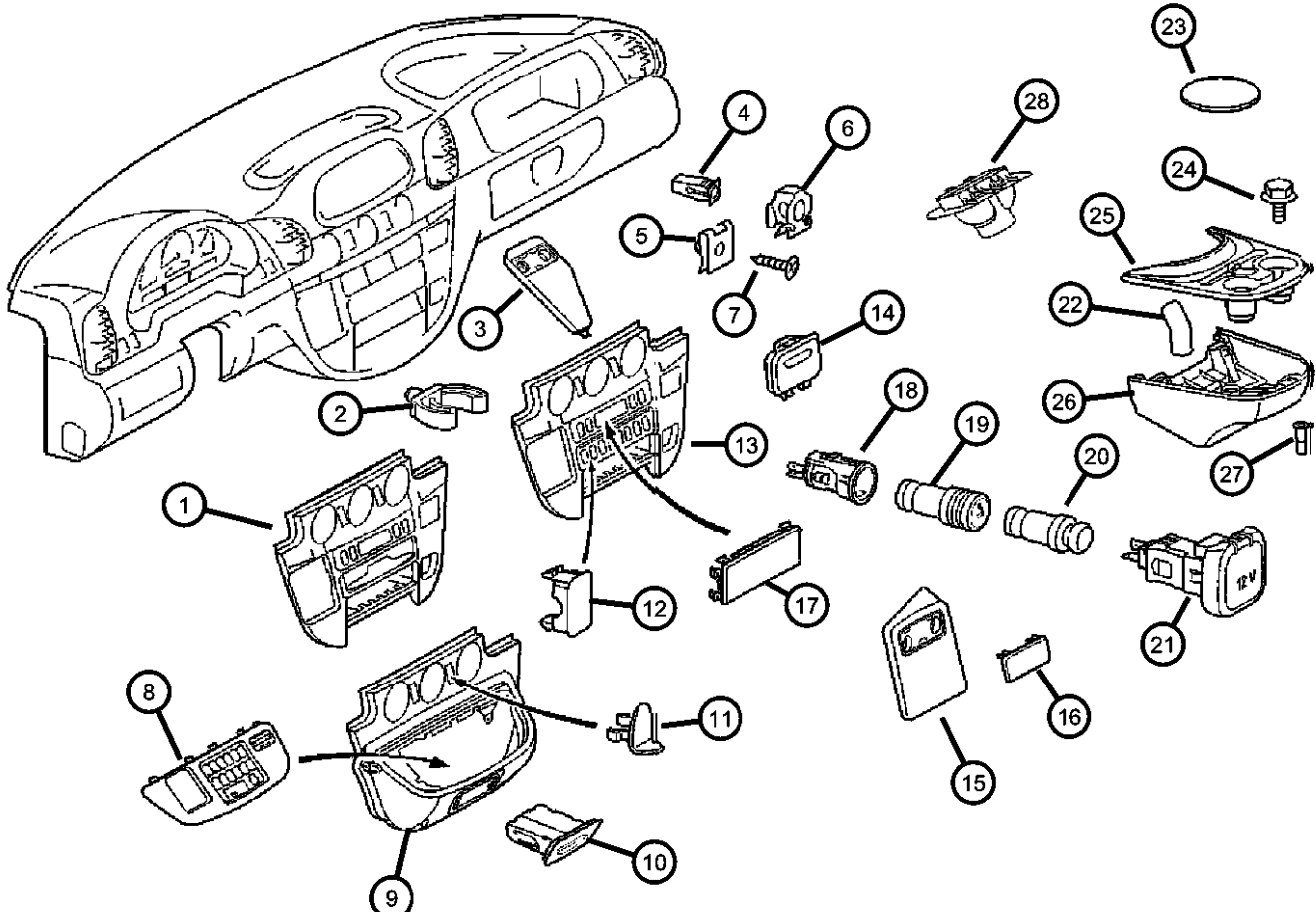


ITEM	PART NUMBER	QTY	LINE	SERIES	BODY	ENGINE	TRANS	TRIM	DESCRIPTION
9		1	3, 7	L	12, 15, 16	EX8	DGJ		CONSOLE, Instrument Panel
		1	2, 6	L	01, 02, 06	EX8	DGJ		
	05122880AA	1	2, 6	L	01, 02, 06	EX8	DGJ		
		1	2, 6	L	11, 12, 14, 15, 16	EX8	DGJ		
		1	2, 6	L	51, 52, 54, 55, 56	EX8	DGJ		
10		1	3, 7	L	02, 06	EX8	DGJ		ASH RECEIVER, Instrument Panel
		1	3, 7	L	12, 15, 16	EX8	DGJ		
	05124226AA	1	2, 6	L	01, 02, 06	EX8	DGJ		
		1	2, 6	L	11, 12, 14, 15, 16	EX8	DGJ		
		1	2, 6	L	51, 52, 54, 55, 56	EX8	DGJ		
11		1	3, 7	L	02, 06	EX8	DGJ		COVER, Center Console
		1	3, 7	L	12, 15, 16	EX8	DGJ		
	05122885AA	1	2, 6	L	01, 02, 06	EX8	DGJ		
		1	2, 6	L	11, 12, 14, 15, 16	EX8	DGJ		
		1	2, 6	L	51, 52, 54, 55, 56	EX8	DGJ		
12		1	3, 7	L	02, 06	EX8	DGJ		COVER, Switch Opening
		1	3, 7	L	12, 15, 16	EX8	DGJ		
	05122925AA	3	3, 7	L	12, 15, 16	EX8	DGJ		
		3	2, 6	L	01, 02, 06	EX8	DGJ		
		3	2, 6	L	11, 12, 14, 15, 16	EX8	DGJ		

SPRINTER (VA)
 SERIES LINE BODY ENGINE TRANSMISSION
 L = LOWLINE 3 = HD DODGE 2WD 12 = Van 140" EX8 = Engine - 2.7L I5 Mercedes-Benz TD DGJ = Transmission - 5-Spd Auto, MB
 8 = HD DODGE 4WD 51 = Wagon 118"
 6 = Lt. Duty DODGE 4WD 52 = Wagon 140"
 2 = Med. Duty DODGE 2WD 14 = Van 118"
 7 = Med. Duty DODGE 4WD 15 = Van 140"
 4 = TRUCK 16 = Van 158"
 54 = Wagon 118"
 55 = Wagon 140"
 56 = Wagon 158"
 01 = Chassis Forward Control 118"
 02 = Chassis Forward Control 140"
 06 = Front Section 158"
 11 = Van 118"

AR = use ase required - = Non illustrated part

Instrument Panel Bezel and Related Parts
Figure 08A-110

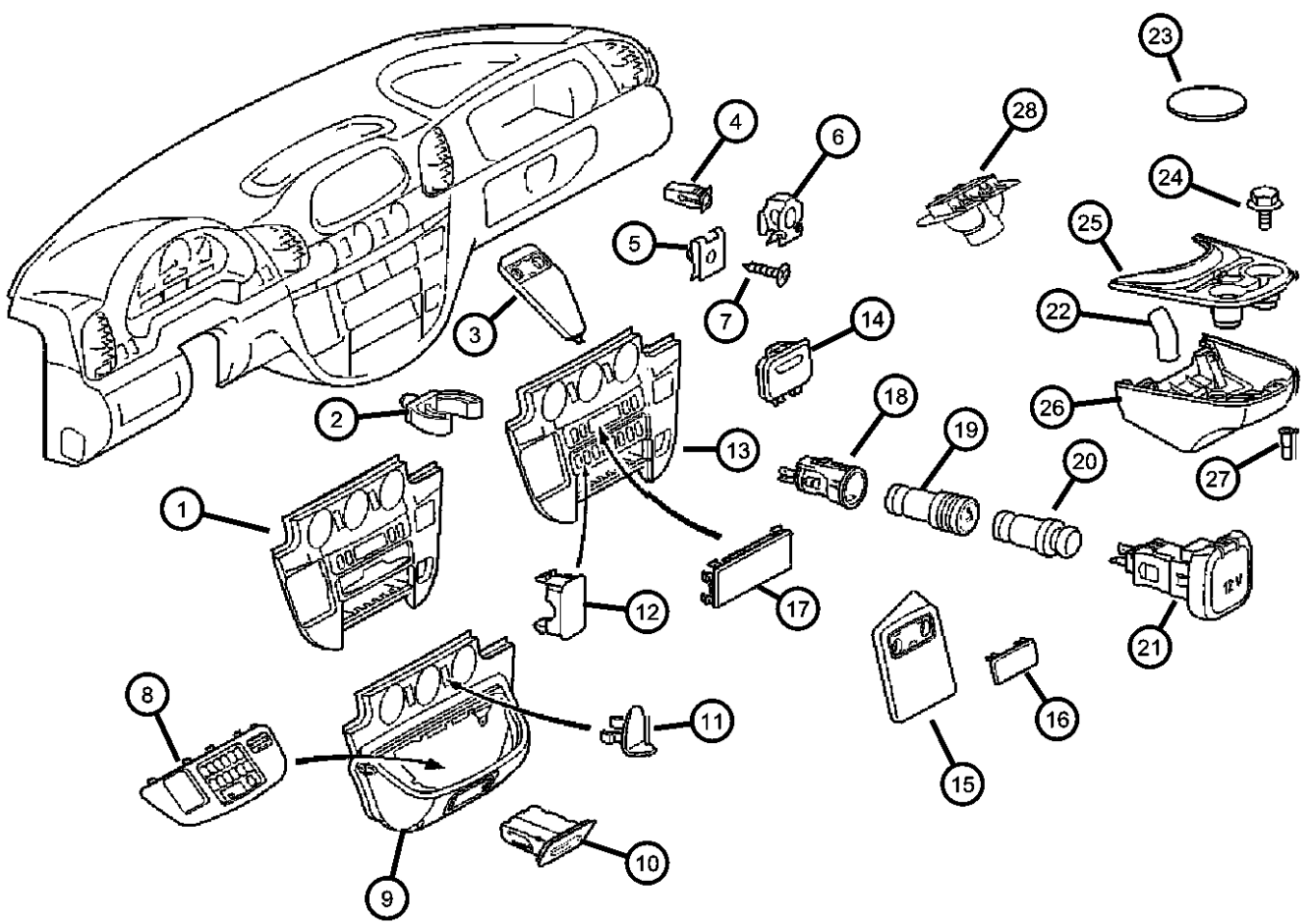


ITEM	PART NUMBER	QTY	LINE	SERIES	BODY	ENGINE	TRANS	TRIM	DESCRIPTION
		3	2, 6	L	51, 52, 54, 55, 56	EX8	DGJ		
		3	3, 7	L	02, 06	EX8	DGJ		
13	05122873AA	1	2, 6	L	01, 02, 06		DGJ		BEZEL, Instrument Panel, Center
		1	2, 6	L	11, 12, 14, 15, 16		DGJ		
		1	2, 6	L	51, 52, 54, 55, 56		DGJ		
		1	3, 7	L	02, 06		DGJ		
		1	3, 7	L	12, 15, 16		DGJ		
14	05122391AA	1	3, 7	L	02, 06	EX8	DGJ		COVER, Instrument Panel
		1	3, 7	L	12, 15, 16	EX8	DGJ		Paper clip
		1	2, 6	L	01, 02, 06	EX8	DGJ		Paper clip
		1	2, 6	L	11, 12, 14, 15, 16	EX8	DGJ		Paper clip
		1	2, 6	L	51, 52, 54, 55, 56	EX8	DGJ		Paper clip
15	05122939AA	1	2, 6	L	01, 02, 06	EX8	DGJ		BEZEL, Instrument Panel
		1	2, 6	L	11, 12, 14, 15, 16	EX8	DGJ		
		1	2, 6	L	51, 52, 54, 55, 56	EX8	DGJ		
		1	3, 7	L	02, 06	EX8	DGJ		
		1	3, 7	L	12, 15, 16	EX8	DGJ		
16	05122878AA	1	2, 6	L	01, 02, 06	EX8	DGJ		COVER, Instrument Panel
		1	2, 6	L	11, 12, 14, 15, 16	EX8	DGJ		
		1	2, 6	L	51, 52, 54, 55, 56	EX8	DGJ		

SPRINTER (VA)
SERIES **LINE** **BODY** **ENGINE** **TRANSMISSION**
L = LOWLINE 3 = HD DODGE 2WD 12 = Van 140" EX8 = Engine - 2.7L I5 DGJ = Transmission - 5-Spd Auto, MB
 8 = HD DODGE 4WD 51 = Wagon 118" Mercedes-Benz TD
 6 = Lt. Duty DODGE 4WD 52 = Wagon 140"
 2 = Med. Duty DODGE 2WD 14 = Van 118"
 7 = Med. Duty DODGE 4WD 15 = Van 140"
 4 = TRUCK 16 = Van 158"
 54 = Wagon 118"
 55 = Wagon 140"
 56 = Wagon 158"
 01 = Chassis Forward Control
 118"
 02 = Chassis Forward Control
 140"
 06 = Front Section 158"
 11 = Van 118"

AR = use ase required - = Non illustrated part

**Instrument Panel Bezel and Related Parts
Figure 08A-110**

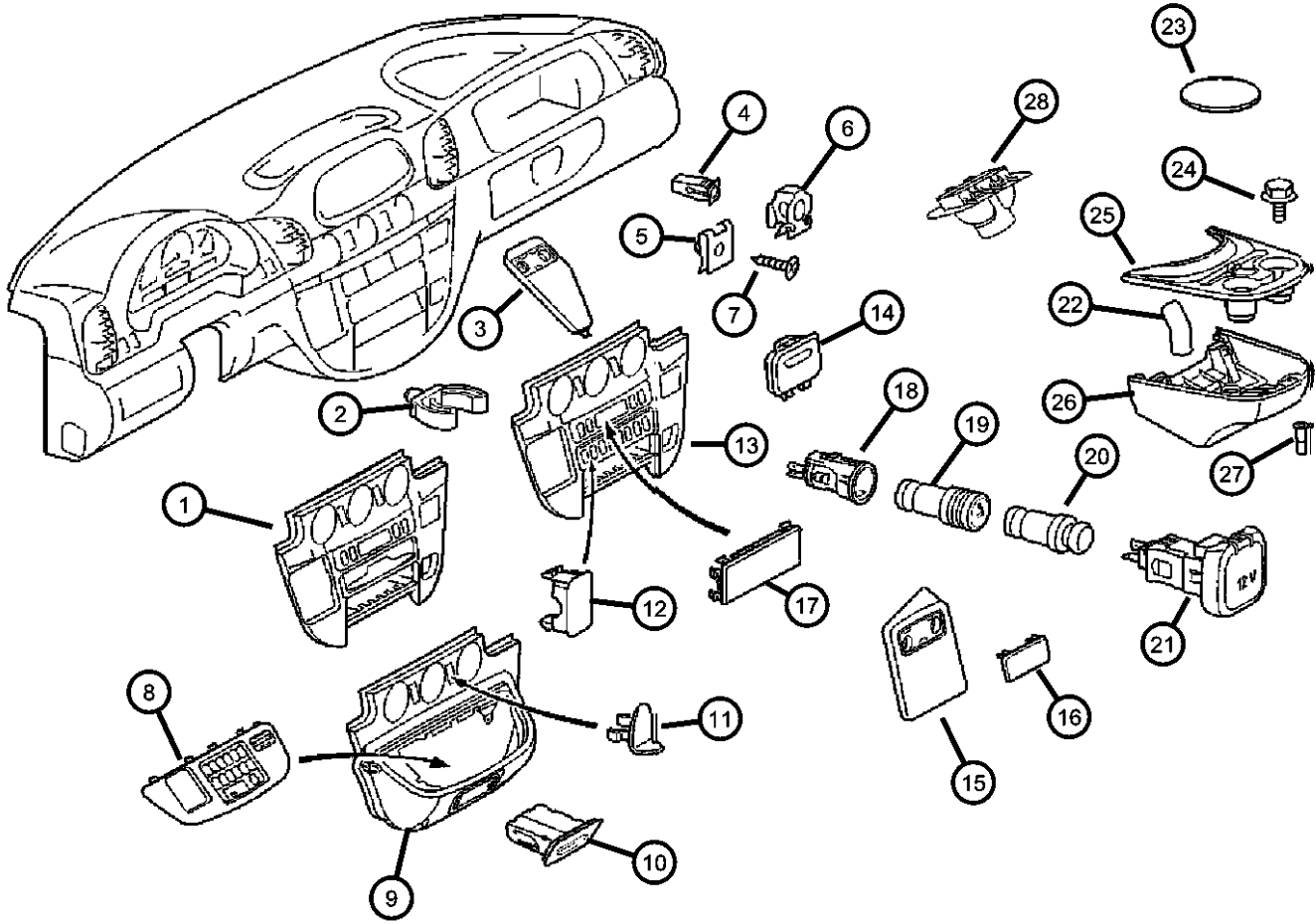


ITEM	PART NUMBER	QTY	LINE	SERIES	BODY	ENGINE	TRANS	TRIM	DESCRIPTION
		1	3, 7	L	02, 06	EX8	DGJ		
		1	3, 7	L	12, 15, 16	EX8	DGJ		
17	05103928AA	1	2, 6	L	01, 02, 06	EX8	DGJ		COVER, Radio Opening
		1	2, 6	L	11, 12, 14, 15, 16	EX8	DGJ		
		1	3, 7	L	02, 06	EX8	DGJ		
		1	3, 7	L	12, 15, 16	EX8	DGJ		
		1	2, 6	L	51, 52, 54, 55, 56	EX8	DGJ		
18	05124456AA	1	2, 6	L	01, 02, 06	EX8	DGJ		BASE, Cigar Lighter
		1	2, 6	L	11, 12, 14, 15, 16	EX8	DGJ		
		1	2, 6	L	51, 52, 54, 55, 56	EX8	DGJ		
		1	3, 7	L	02, 06	EX8	DGJ		
		1	3, 7	L	12, 15, 16	EX8	DGJ		
19	05103679AA	1	2, 6	L	01, 02, 06	EX8	DGJ		ELEMENT, Cigar Lighter
		1	2, 6	L	11, 12, 14, 15, 16	EX8	DGJ		
		1	2, 6	L	51, 52, 54, 55, 56	EX8	DGJ		
		1	3, 7	L	02, 06	EX8	DGJ		
		1	3, 7	L	12, 15, 16	EX8	DGJ		
20	05124598AA	1	2, 6	L	51, 52, 54, 55, 56	EX8	DGJ		SOCKET, Accessory
		1	3, 7	L	02, 06	EX8	DGJ		
		1	3, 7	L	12, 15, 16	EX8	DGJ		
		1	2, 6	L	01, 02, 06	EX8	DGJ		

SPRINTER (VA)
SERIES **LINE** **BODY** **ENGINE** **TRANSMISSION**
L = LOWLINE 3 = HD DODGE 2WD 12 = Van 140" EX8 = Engine - 2.7L I5 DGJ = Transmission - 5-Spd Auto, MB
 8 = HD DODGE 4WD 51 = Wagon 118" Mercedes-Benz TD
 6 = Lt. Duty DODGE 4WD 52 = Wagon 140"
 2 = Med. Duty DODGE 2WD 14 = Van 118"
 7 = Med. Duty DODGE 4WD 15 = Van 140"
 4 = TRUCK 16 = Van 158"
 54 = Wagon 118"
 55 = Wagon 140"
 56 = Wagon 158"
 01 = Chassis Forward Control
 118"
 02 = Chassis Forward Control
 140"
 06 = Front Section 158"
 11 = Van 118"

AR = use ase required - = Non illustrated part

**Instrument Panel Bezel and Related Parts
Figure 08A-110**

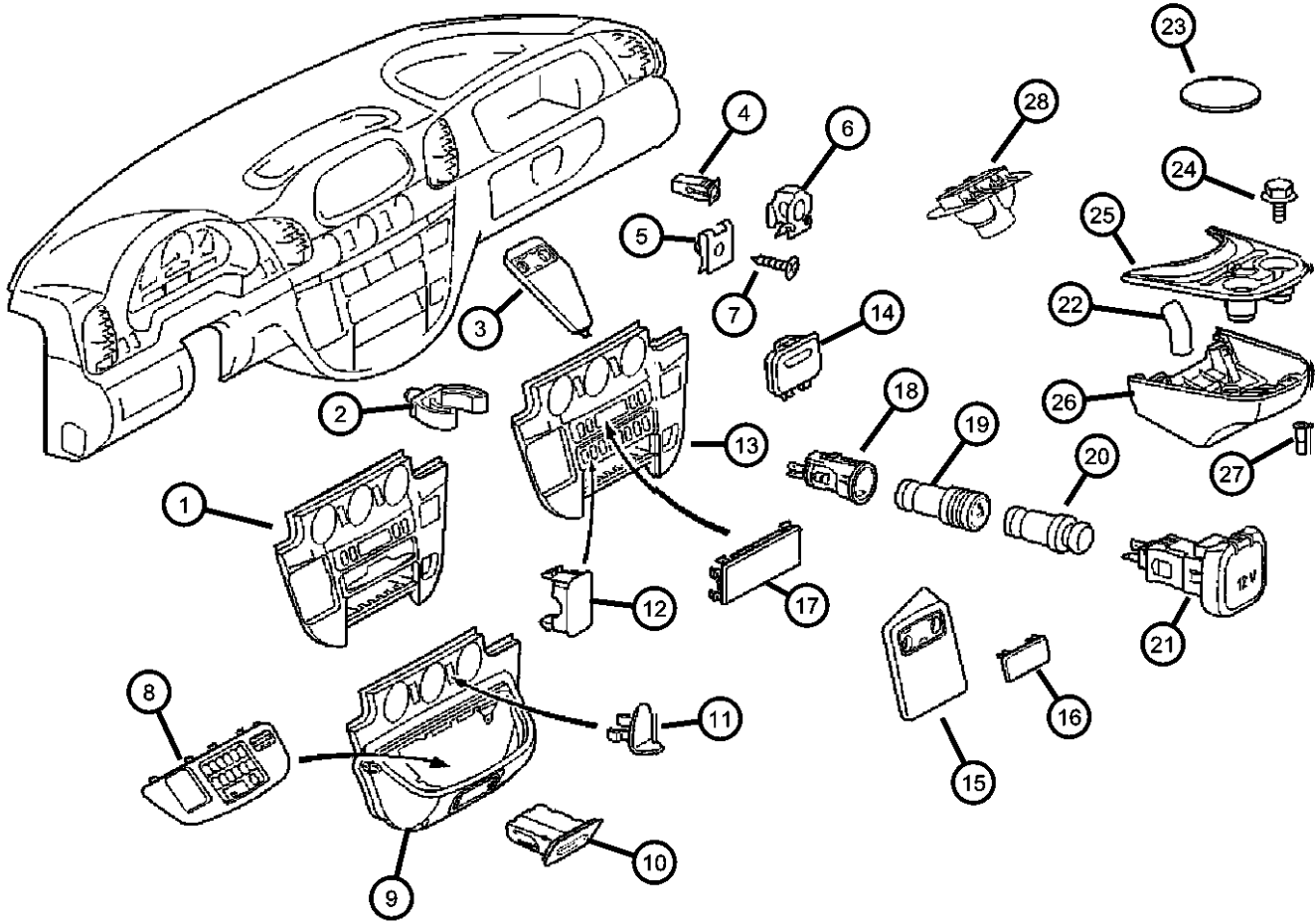


ITEM	PART NUMBER	QTY	LINE	SERIES	BODY	ENGINE	TRANS	TRIM	DESCRIPTION
21		1	2, 6	L	11, 12, 14, 15, 16	EX8	DGJ		POWER OUTLET
	05124458AA	1	2, 6	L	01, 02, 06	EX8	DGJ		
		1	2, 6	L	11, 12, 14, 15, 16	EX8	DGJ		
		1	2, 6	L	51, 52, 54, 55, 56	EX8	DGJ		
		1	3, 7	L	02, 06	EX8	DGJ		
		1	3, 7	L	12, 15, 16	EX8	DGJ		
22									HOSE
	05104488AA	1	2, 6	L	01, 02, 06	EX8	DGJ		Air Duct Adapter
		1	2, 6	L	11, 12, 14, 15, 16	EX8	DGJ		Air Duct Adapter
		1	2, 6	L	51, 52, 54, 55, 56	EX8	DGJ		Air Duct Adapter
		1	3, 7	L	02, 06	EX8	DGJ		Air Duct Adapter
		1	3, 7	L	12, 15, 16	EX8	DGJ		Air Duct Adapter
23									MAT, Single Cup
	05122953AA	2	2, 6	L	11, 12, 14, 15, 16	EX8	DGJ		
		2	2, 6	L	51, 52, 54, 55, 56	EX8	DGJ		
		2	3, 7	L	02, 06	EX8	DGJ		
		2	3, 7	L	12, 15, 16	EX8	DGJ		
		2	2, 6	L	01, 02, 06	EX8	DGJ		
24									SCREW, Hex Flange Head
	06104121AA	4	2, 6	L	01, 02, 06	EX8	DGJ		
		4	3, 7	L	02, 06	EX8	DGJ		
		4	3, 7	L	12, 15, 16	EX8	DGJ		
		4	2, 6	L	11, 12, 14, 15, 16	EX8	DGJ		

SPRINTER (VA)
SERIES **LINE** **BODY** **ENGINE** **TRANSMISSION**
L = LOWLINE 3 = HD DODGE 2WD 12 = Van 140" EX8 = Engine - 2.7L I5 DGJ = Transmission - 5-Spd Auto, MB
 8 = HD DODGE 4WD 51 = Wagon 118" Mercedes-Benz TD
 6 = Lt. Duty DODGE 4WD 52 = Wagon 140"
 2 = Med. Duty DODGE 2WD 14 = Van 118"
 7 = Med. Duty DODGE 4WD 15 = Van 140"
 4 = TRUCK 16 = Van 158"
 54 = Wagon 118"
 55 = Wagon 140"
 56 = Wagon 158"
 01 = Chassis Forward Control
 118"
 02 = Chassis Forward Control
 140"
 06 = Front Section 158"
 11 = Van 118"

AR = use ase required - = Non illustrated part

**Instrument Panel Bezel and Related Parts
Figure 08A-110**



ITEM	PART NUMBER	QTY	LINE	SERIES	BODY	ENGINE	TRANS	TRIM	DESCRIPTION
		4	2, 6	L	51, 52, 54, 55, 56	EX8	DGJ		
25	05104254AA	1	2, 6	L	01, 02, 06	EX8	DGJ		CUP HOLDER, Lid
		1	2, 6	L	11, 12, 14, 15, 16	EX8	DGJ		
		1	2, 6	L	51, 52, 54, 55, 56	EX8	DGJ		
		1	3, 7	L	02, 06	EX8	DGJ		
		1	3, 7	L	12, 15, 16	EX8	DGJ		
26	05104255AA	1	2, 6	L	51, 52, 54, 55, 56	EX8	DGJ		HOUSING, Cup Holder
		1	3, 7	L	02, 06	EX8	DGJ		
		1	3, 7	L	12, 15, 16	EX8	DGJ		
		1	2, 6	L	01, 02, 06	EX8	DGJ		
		1	2, 6	L	11, 12, 14, 15, 16	EX8	DGJ		
27	05133975AA	4	2, 6	L	01, 02, 06	EX8	DGJ		NUT, Rivet
		4	3, 7	L	12, 15, 16	EX8	DGJ		
		4	2, 6	L	11, 12, 14, 15, 16	EX8	DGJ		
		4	2, 6	L	51, 52, 54, 55, 56	EX8	DGJ		
		4	3, 7	L	02, 06	EX8	DGJ		
28	05104267AA	1	2, 6	L	01, 02, 06	EX8	DGJ		ADAPTER, Air Duct
		1	2, 6	L	11, 12, 14, 15, 16	EX8	DGJ		
		1	6, 2	L	51, 52, 54, 55, 56	EX8	DGJ		

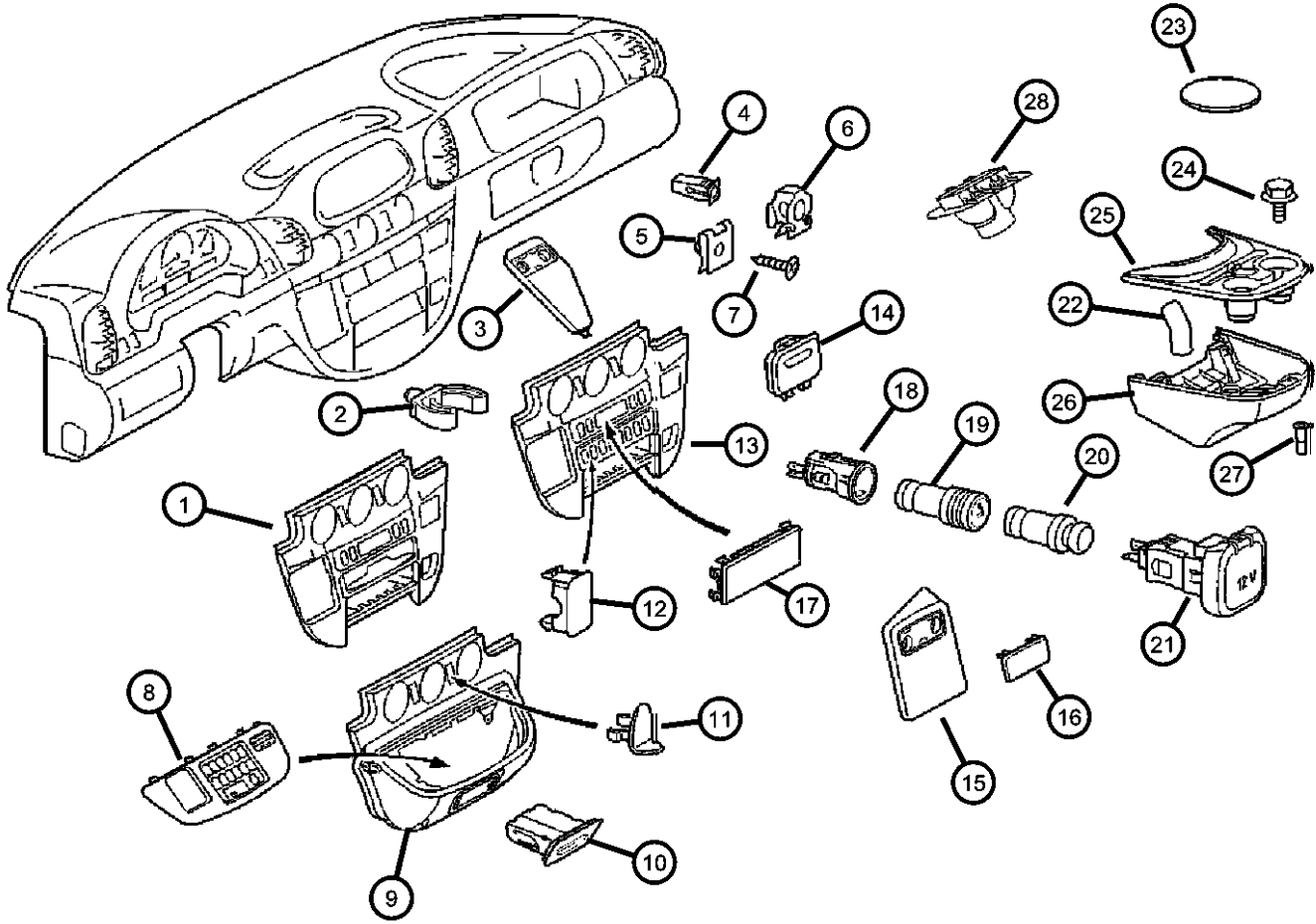
SPRINTER (VA)
 SERIES LINE BODY ENGINE TRANSMISSION
 L = LOWLINE 3 = HD DODGE 2WD 12 = Van 140" EX8 = Engine - 2.7L I5 Mercedes-Benz TD DGJ = Transmission - 5-Spd Auto, MB
 8 = HD DODGE 4WD 51 = Wagon 118"
 6 = Lt. Duty DODGE 4WD 52 = Wagon 140"
 2 = Med. Duty DODGE 2WD 14 = Van 118"
 7 = Med. Duty DODGE 4WD 15 = Van 140"
 4 = TRUCK 16 = Van 158"
 54 = Wagon 118"
 55 = Wagon 140"
 56 = Wagon 158"
 01 = Chassis Forward Control 118"
 02 = Chassis Forward Control 140"
 06 = Front Section 158"
 11 = Van 118"

AR = use ase required - = Non illustrated part

**Instrument Panel Bezel and Related Parts
Figure 08A-110**

ITEM	PART NUMBER	QTY	LINE	SERIES	BODY	ENGINE	TRANS	TRIM	DESCRIPTION
------	-------------	-----	------	--------	------	--------	-------	------	-------------

		1	3, 7	L	02, 06	EX8	DGJ		
		1	3, 7	L	12, 15, 16	EX8	DGJ		



SPRINTER (VA)

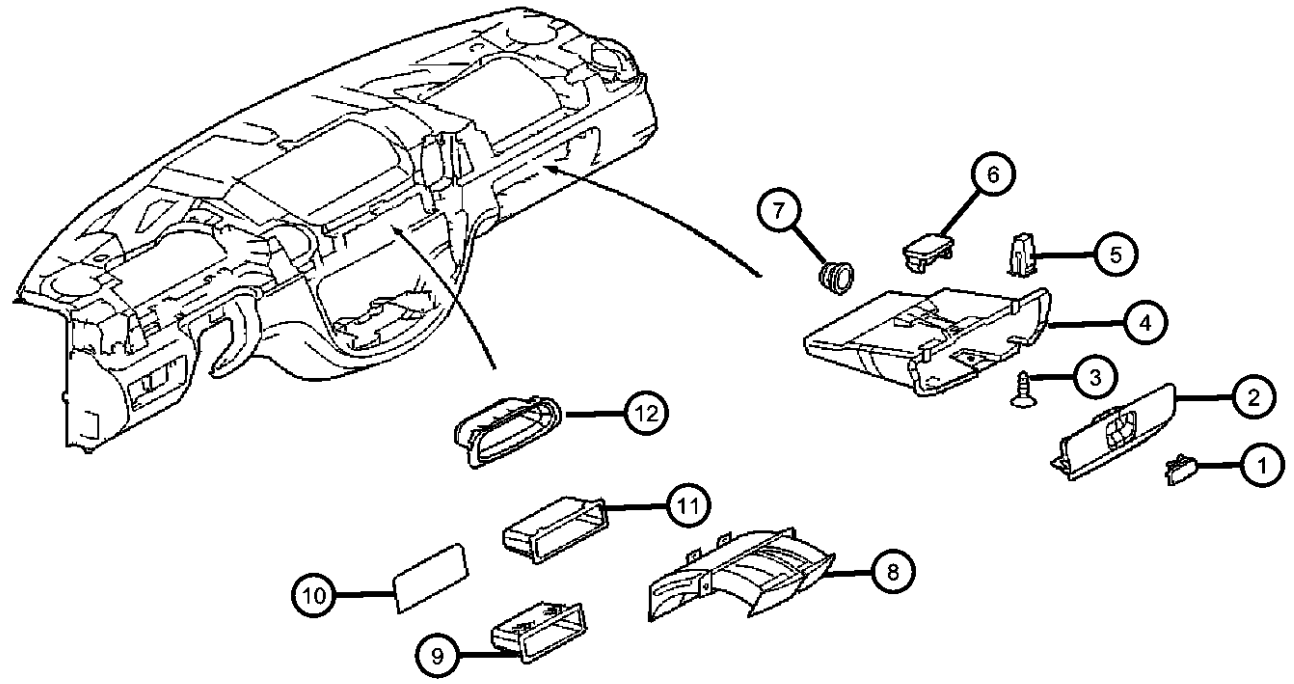
SERIES	LINE	BODY	ENGINE	TRANSMISSION
L = LOWLINE	3 = HD DODGE 2WD 8 = HD DODGE 4WD 6 = Lt. Duty DODGE 4WD 2 = Med. Duty DODGE 2WD 7 = Med. Duty DODGE 4WD 4 = TRUCK	12 = Van 140" 51 = Wagon 118" 52 = Wagon 140" 14 = Van 118" 15 = Van 140" 16 = Van 158" 54 = Wagon 118" 55 = Wagon 140" 56 = Wagon 158" 01 = Chassis Forward Control 118" 02 = Chassis Forward Control 140" 06 = Front Section 158" 11 = Van 118"	EX8 = Engine - 2.7L I5 Mercedes-Benz TD	DGJ = Transmission - 5-Spd Auto, MB

AR = use ase required - = Non illustrated part

2005 VA

**Ash Reciever and Glove Box
Figure 08A-115**

ITEM	PART NUMBER	QTY	LINE	SERIES	BODY	ENGINE	TRANS	TRIM	DESCRIPTION
NOTES: Sales Codes: [DGJ] = 5 Speed Auto W5A580 Transmission [EX8] = 2.7L I5 Mercedes-Benz TD Engine									
1									LATCH, Glovebox
	05104257AA	1	2, 6	L	01, 02, 06	EX8	DGJ		
		1	2, 6	L	11, 12, 14, 15, 16	EX8	DGJ		
		1	2, 6	L	51, 52, 54, 55, 56	EX8	DGJ		
		1	3, 7	L	02, 06	EX8	DGJ		
		1	3, 7	L	12, 15, 16	EX8	DGJ		
2									DOOR, Glove Box
	05104260AA	1	2, 6	L	01, 02, 06	EX8	DGJ		
		1	2, 6	L	11, 12, 14, 15, 16	EX8	DGJ		
		1	2, 6	L	51, 52, 54, 55, 56	EX8	DGJ		
		1	3, 7	L	02, 06	EX8	DGJ		
		1	3, 7	L	12, 15, 16	EX8	DGJ		
3									SCREW
	06104610AA	5	2, 6	L	01, 02, 06	EX8	DGJ		
		5	2, 6	L	11, 12, 14, 15, 16	EX8	DGJ		
		5	2, 6	L	51, 52, 54, 55, 56	EX8	DGJ		
		5	3, 7	L	02, 06	EX8	DGJ		
		5	7, 3	L	12, 15, 16	EX8	DGJ		
4									GLOVE BOX, Instrument Panel
	05122413AA	1	2, 6	L	01, 02, 06	EX8	DGJ		
		1	2, 6	L	11, 12, 14, 15, 16	EX8	DGJ		
		1	2, 6	L	51, 52, 54, 55, 56	EX8	DGJ		

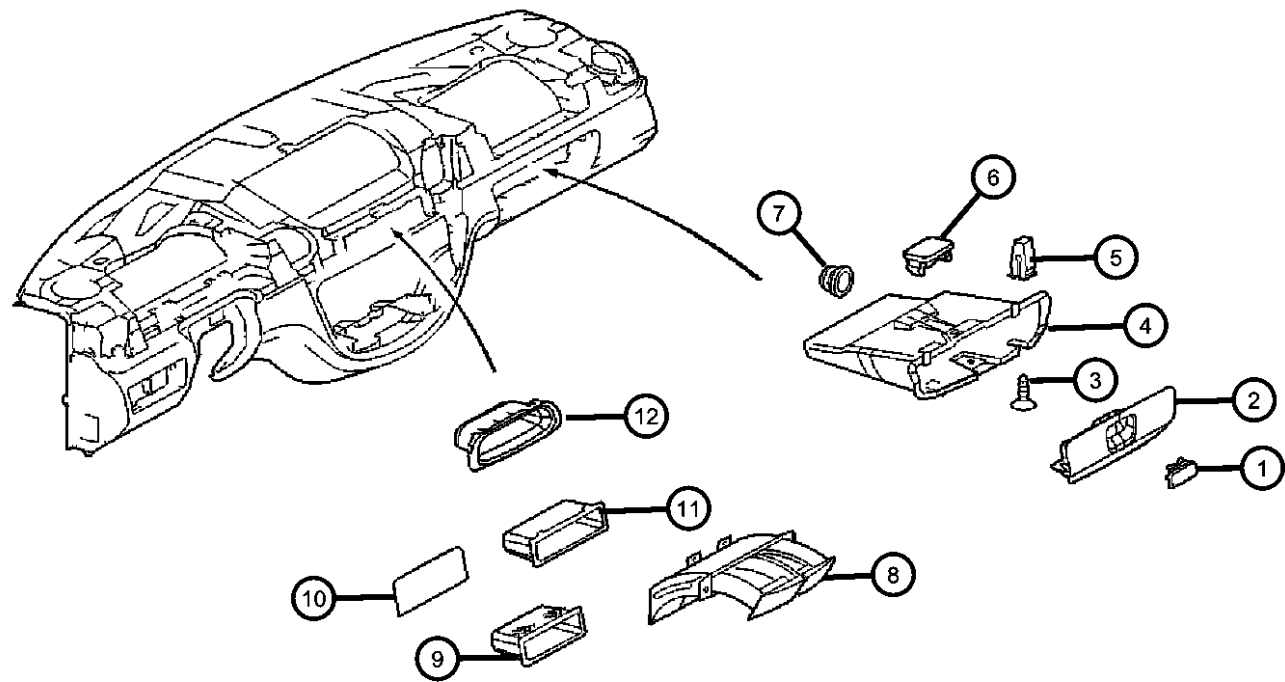


SPRINTER (VA)

SERIES	LINE	BODY	ENGINE	TRANSMISSION
L = LOWLINE	3 = HD DODGE 2WD 8 = HD DODGE 4WD 6 = Lt. Duty DODGE 4WD 2 = Med. Duty DODGE 2WD 7 = Med. Duty DODGE 4WD 4 = TRUCK	12 = Van 140" 51 = Wagon 118" 52 = Wagon 140" 14 = Van 118" 15 = Van 140" 16 = Van 158" 54 = Wagon 118" 55 = Wagon 140" 56 = Wagon 158" 01 = Chassis Forward Control 118" 02 = Chassis Forward Control 140" 06 = Front Section 158" 11 = Van 118"	EX8 = Engine - 2.7L I5 Mercedes-Benz TD	DGJ = Transmission - 5-Spd Auto, MB

AR = use ase required - = Non illustrated part

**Ash Reciever and Glove Box
Figure 08A-115**



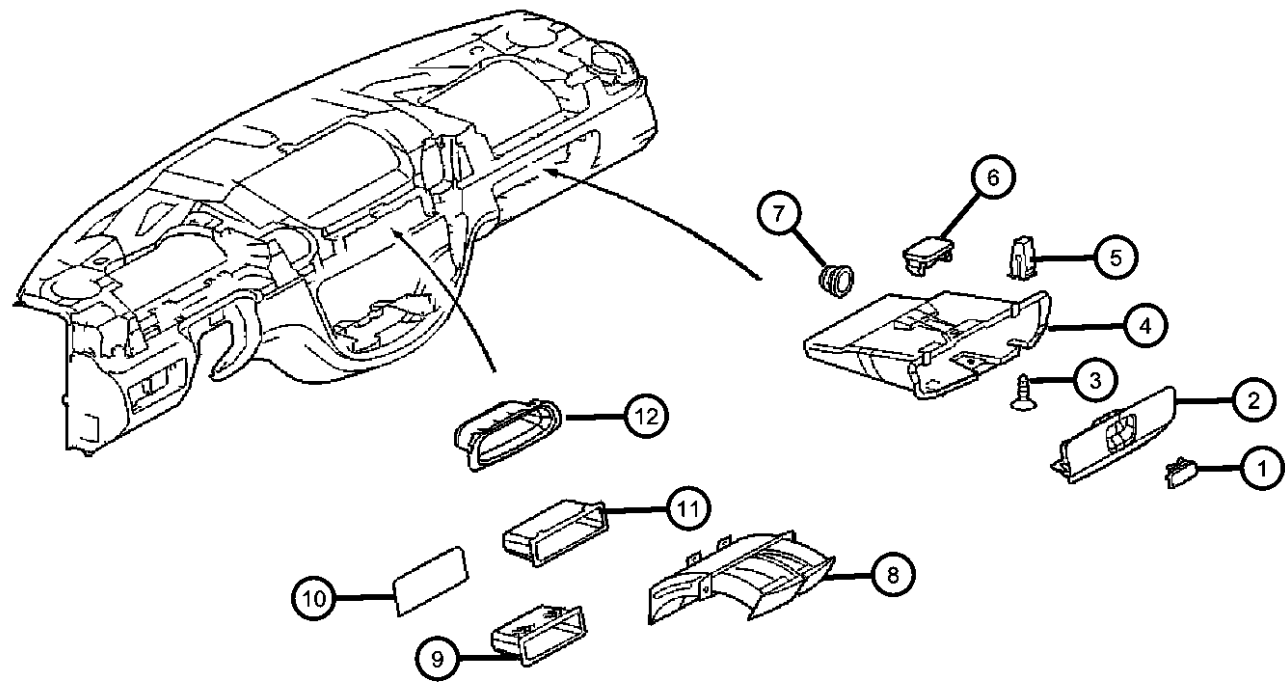
ITEM	PART NUMBER	QTY	LINE	SERIES	BODY	ENGINE	TRANS	TRIM	DESCRIPTION
5	05125576AA	1	3, 7	L	02, 06	EX8	DGJ		NUT, Plastic Snap-in
		1	3, 7	L	12, 15, 16	EX8	DGJ		
		2	2, 6	L	01, 02, 06	EX8	DGJ		
		2	2, 6	L	11, 12, 14, 15, 16	EX8	DGJ		
		2	2, 6	L	51, 52, 54, 55, 56	EX8	DGJ		
6	05125551AA	2	3, 7	L	02, 06	EX8	DGJ		PLUG
		2	3, 7	L	12, 15, 16	EX8	DGJ		
		2	2, 6	L	01, 02, 06	EX8	DGJ		
		2	2, 6	L	11, 12, 14, 15, 16	EX8	DGJ		
		2	2, 6	L	51, 52, 54, 55, 56	EX8	DGJ		
7	05122919AA	1	2, 6	L	01, 02, 06	EX8	DGJ		PLUG, Instrument Panel
		1	2, 6	L	11, 12, 14, 15, 16	EX8	DGJ		
		1	2, 6	L	51, 52, 54, 55, 56	EX8	DGJ		
		1	3, 7	L	02, 06	EX8	DGJ		
		1	3, 7	L	12, 15, 16	EX8	DGJ		
8	05124226AA	1	2, 6	L	01, 02, 06	EX8	DGJ		ASH RECEIVER, Instrument Panel
		1	2, 6	L	11, 12, 14, 15, 16	EX8	DGJ		
		1	2, 6	L	51, 52, 54, 55, 56	EX8	DGJ		

SPRINTER (VA)

SERIES	LINE	BODY	ENGINE	TRANSMISSION
L = LOWLINE	3 = HD DODGE 2WD 8 = HD DODGE 4WD 6 = Lt. Duty DODGE 4WD 2 = Med. Duty DODGE 2WD 7 = Med. Duty DODGE 4WD 4 = TRUCK	12 = Van 140" 51 = Wagon 118" 52 = Wagon 140" 14 = Van 118" 15 = Van 140" 16 = Van 158" 54 = Wagon 118" 55 = Wagon 140" 56 = Wagon 158" 01 = Chassis Forward Control 118" 02 = Chassis Forward Control 140" 06 = Front Section 158" 11 = Van 118"	EX8 = Engine - 2.7L I5 Mercedes-Benz TD	DGJ = Transmission - 5-Spd Auto, MB

AR = use ase required - = Non illustrated part

**Ash Reciever and Glove Box
Figure 08A-115**



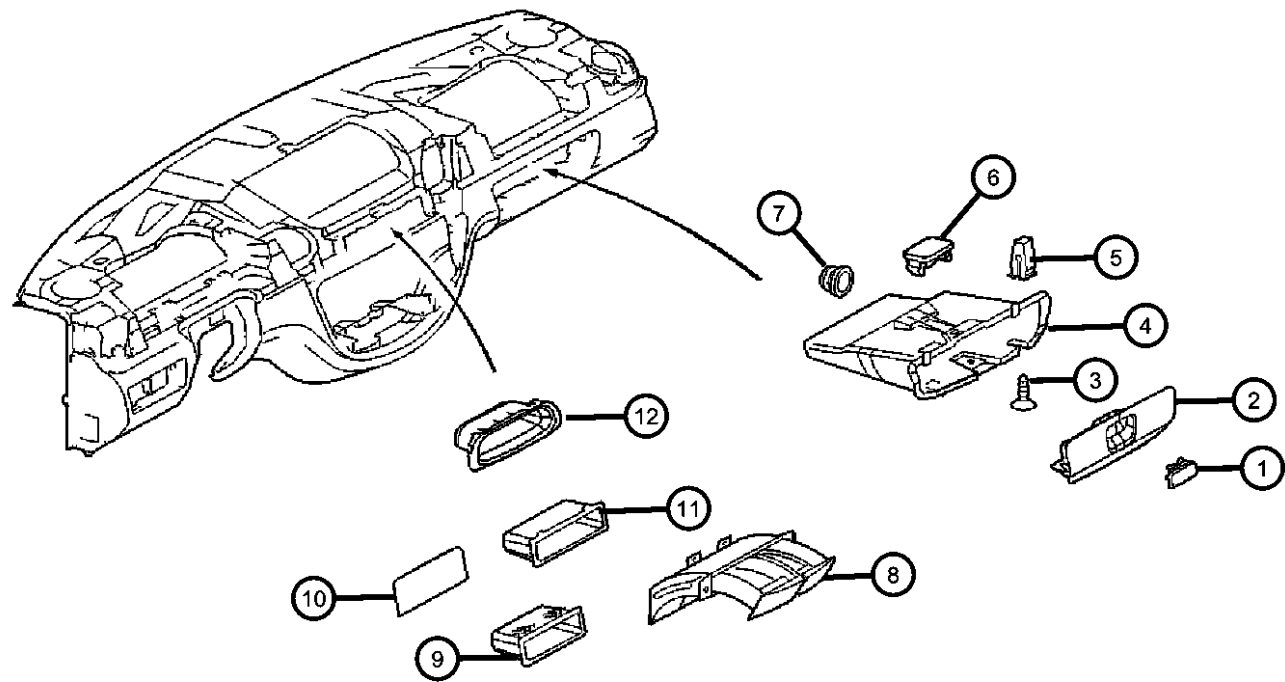
ITEM	PART NUMBER	QTY	LINE	SERIES	BODY	ENGINE	TRANS	TRIM	DESCRIPTION
9	05122945AA	1	3, 7	L	02, 06	EX8	DGJ		CUBBY BOX, Instrument Panel
		1	3, 7	L	12, 15, 16	EX8	DGJ		
		1	2, 6	L	01, 02, 06	EX8	DGJ		
		1	2, 6	L	11, 12, 14, 15, 16	EX8	DGJ		
		1	2, 6	L	51, 52, 54, 55, 56	EX8	DGJ		
10	05122951AA	1	3, 7	L	02, 06	EX8	DGJ		PAD, Backing
		1	3, 7	L	12, 15, 16	EX8	DGJ		
		1	2, 6	L	01, 02, 06	EX8	DGJ		
		1	2, 6	L	11, 12, 14, 15, 16	EX8	DGJ		
		1	2, 6	L	51, 52, 54, 55, 56	EX8	DGJ		
11	05122948AA	1	3, 7	L	02, 06	EX8	DGJ		CUBBY BOX, Instrument Panel
		1	3, 7	L	12, 15, 16	EX8	DGJ		
		1	2, 6	L	01, 02, 06	EX8	DGJ		
		1	2, 6	L	11, 12, 14, 15, 16	EX8	DGJ		
		1	2, 6	L	51, 52, 54, 55, 56	EX8	DGJ		
12	05122943AA	1	3, 7	L	02, 06	EX8	DGJ		CUBBY BOX, Instrument Panel
		1	3, 7	L	12, 15, 16	EX8	DGJ		
		1	2, 6	L	01, 02, 06	EX8	DGJ		

SPRINTER (VA)
 SERIES LINE BODY ENGINE TRANSMISSION
 L = LOWLINE 3 = HD DODGE 2WD 12 = Van 140" EX8 = Engine - 2.7L I5 Mercedes-Benz TD DGJ = Transmission - 5-Spd Auto, MB
 8 = HD DODGE 4WD 51 = Wagon 118"
 6 = Lt. Duty DODGE 4WD 52 = Wagon 140"
 2 = Med. Duty DODGE 2WD 14 = Van 118"
 7 = Med. Duty DODGE 4WD 15 = Van 140"
 4 = TRUCK 16 = Van 158"
 54 = Wagon 118"
 55 = Wagon 140"
 56 = Wagon 158"
 01 = Chassis Forward Control 118"
 02 = Chassis Forward Control 140"
 06 = Front Section 158"
 11 = Van 118"

AR = use ase required - = Non illustrated part

**Ash Reciever and Glove Box
Figure 08A-115**

ITEM	PART NUMBER	QTY	LINE	SERIES	BODY	ENGINE	TRANS	TRIM	DESCRIPTION
		1	3, 7	L	02, 06	EX8	DGJ		
		1	3, 7	L	12, 15, 16	EX8	DGJ		



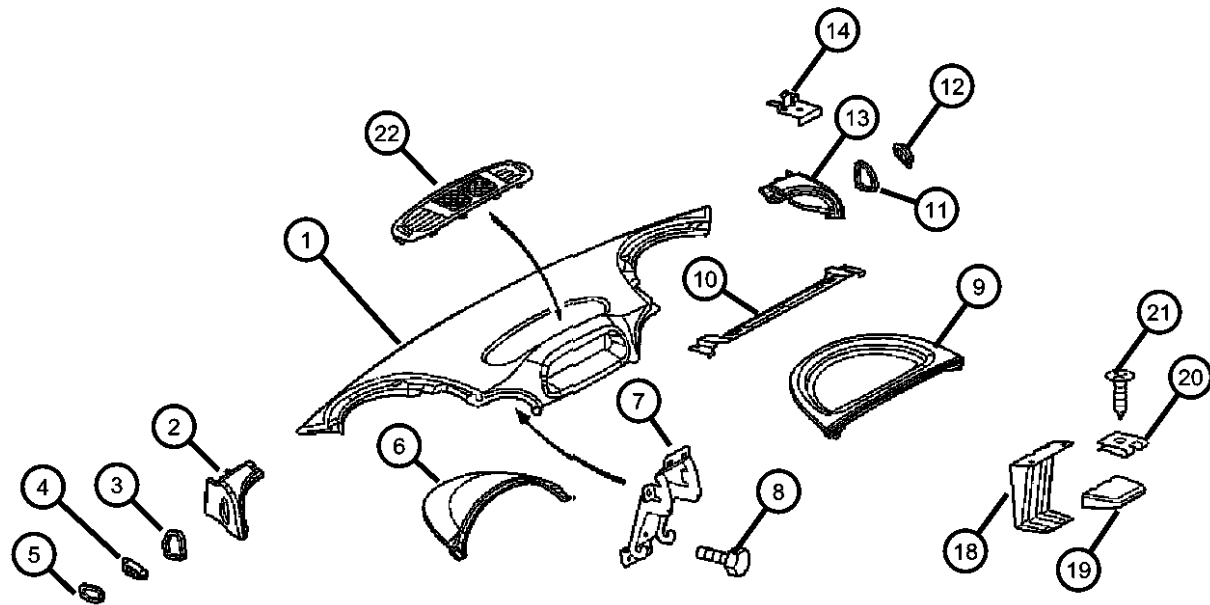
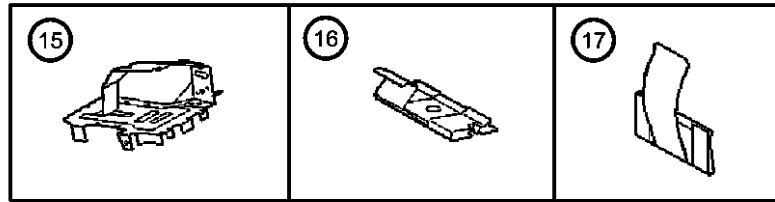
SPRINTER (VA)

SERIES	LINE	BODY	ENGINE	TRANSMISSION
L = LOWLINE	3 = HD DODGE 2WD 8 = HD DODGE 4WD 6 = Lt. Duty DODGE 4WD 2 = Med. Duty DODGE 2WD 7 = Med. Duty DODGE 4WD 4 = TRUCK	12 = Van 140" 51 = Wagon 118" 52 = Wagon 140" 14 = Van 118" 15 = Van 140" 16 = Van 158" 54 = Wagon 118" 55 = Wagon 140" 56 = Wagon 158" 01 = Chassis Forward Control 118" 02 = Chassis Forward Control 140" 06 = Front Section 158" 11 = Van 118"	EX8 = Engine - 2.7L I5 Mercedes-Benz TD	DGJ = Transmission - 5-Spd Auto, MB

AR = use ase required - = Non illustrated part

**Instrument Panel Cover and Related Parts
Figure 08A-120**

ITEM	PART NUMBER	QTY	LINE	SERIES	BODY	ENGINE	TRANS	TRIM	DESCRIPTION
1	05122364AA	1	2, 6	L	01, 02, 06	EX8	DGJ		COVER, Instrument Panel With Comfort/Soft Look Dash
		1	2, 6	L	11, 12, 14, 15, 16	EX8	DGJ		With Comfort/Soft Look Dash
		1	3, 7	L	12, 15, 16	EX8	DGJ		With Comfort/Soft Look Dash
		1	2, 6	L	51, 52, 54, 55, 56	EX8	DGJ		With Comfort/Soft Look Dash
		1	3, 7	L	02, 06	EX8	DGJ		With Comfort/Soft Look Dash
2	05122876AA	1	2, 6	L	01, 02, 06	EX8	DGJ		HOUSING, Air Outlet Left
		1	2, 6	L	11, 12, 14, 15, 16	EX8	DGJ		Left
		1	3, 7	L	02, 06	EX8	DGJ		Left
		1	3, 7	L	12, 15, 16	EX8	DGJ		Left
3	05124784AA	1	2, 6	L	51, 52, 54, 55, 56	EX8	DGJ		SEAL Left Demister to Instrument Panel
		1	3, 7	L	02, 06	EX8	DGJ		Left Demister to Instrument Panel
		1	3, 7	L	12, 15, 16	EX8	DGJ		Left Demister to Instrument Panel
		1	2, 6	L	01, 02, 06	EX8	DGJ		Left Demister to Instrument Panel
		1	2, 6	L	11, 12, 14, 15, 16	EX8	DGJ		Left Demister to Instrument Panel
4	05124910AA	1	2, 6	L	01, 02, 06	EX8	DGJ		GRILLE, Demister Left
		1	6, 2	L	11, 12, 14, 15, 16	EX8	DGJ		Left
		1	2, 6	L	51, 52, 54, 55, 56	EX8	DGJ		Left
		1	3, 7	L	02, 06	EX8	DGJ		Left
		1	3, 7	L	12, 15, 16	EX8	DGJ		Left
5								SEAL	



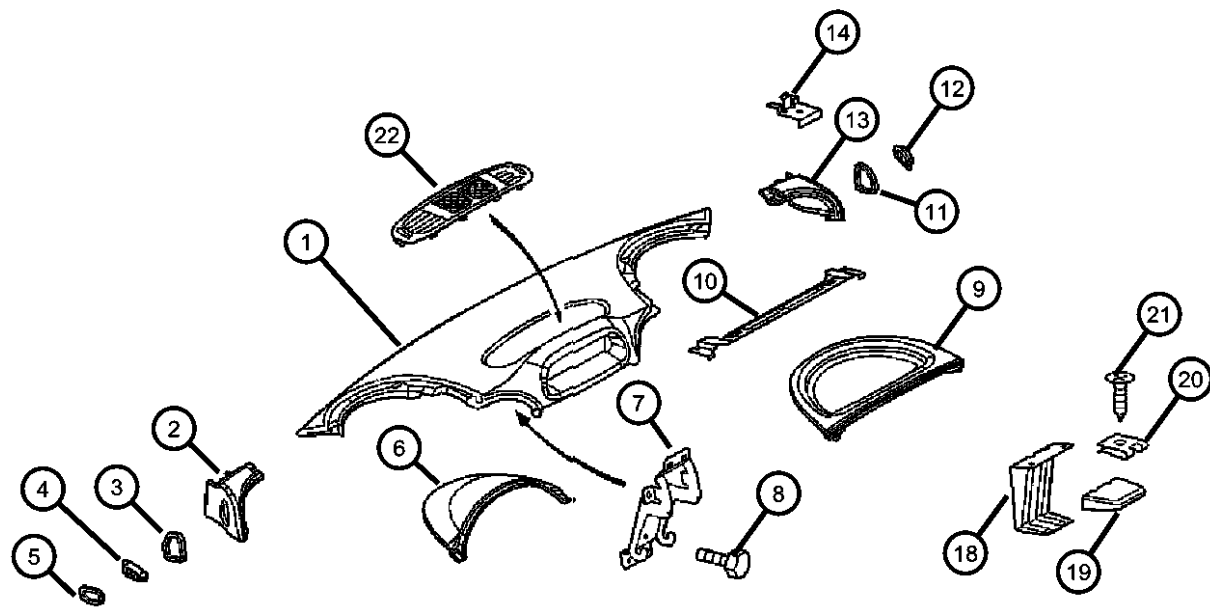
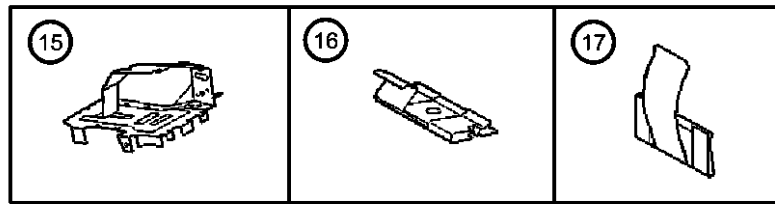
SPRINTER (VA)

SERIES	LINE	BODY	ENGINE	TRANSMISSION
L = LOWLINE	3 = HD DODGE 2WD 8 = HD DODGE 4WD 6 = Lt. Duty DODGE 4WD 2 = Med. Duty DODGE 2WD 7 = Med. Duty DODGE 4WD 4 = TRUCK	12 = Van 140" 51 = Wagon 118" 52 = Wagon 140" 14 = Van 118" 15 = Van 140" 16 = Van 158" 54 = Wagon 118" 55 = Wagon 140" 56 = Wagon 158" 01 = Chassis Forward Control 118" 02 = Chassis Forward Control 140" 06 = Front Section 158" 11 = Van 118"	EX8 = Engine - 2.7L I5 Mercedes-Benz TD	DGJ = Transmission - 5-Spd Auto, MB

AR = use ase required - = Non illustrated part

**Instrument Panel Cover and Related Parts
Figure 08A-120**

ITEM	PART NUMBER	QTY	LINE	SERIES	BODY	ENGINE	TRANS	TRIM	DESCRIPTION
6	05124781AA	1	2, 6	L	01, 02, 06	EX8	DGJ		COVER
		1	2, 6	L	11, 12, 14, 15, 16	EX8	DGJ	Left	
		1	2, 6	L	51, 52, 54, 55, 56	EX8	DGJ	Left	
		1	3, 7	L	02, 06	EX8	DGJ	Left	
		1	3, 7	L	12, 15, 16	EX8	DGJ	Left	
7	05122369AA	1	2, 6	L	01, 02, 06	EX8	DGJ		BRACKET, Instrument Panel Struts/KT/Ablage
		1	2, 6	L	11, 12, 14, 15, 16	EX8	DGJ	Left	
		1	2, 6	L	51, 52, 54, 55, 56	EX8	DGJ	Left	
		1	3, 7	L	02, 06	EX8	DGJ	Left	
		1	3, 7	L	12, 15, 16	EX8	DGJ	Left	
8	05122906AA	1	2, 6	L	01, 02, 06	EX8	DGJ		SCREW
		1	2, 6	L	11, 12, 14, 15, 16	EX8	DGJ		
		1	2, 6	L	51, 52, 54, 55, 56	EX8	DGJ		
		1	3, 7	L	02, 06	EX8	DGJ		
		1	3, 7	L	12, 15, 16	EX8	DGJ		
9	05104663AA	4	2, 6	L	01, 02, 06	EX8	DGJ		BEZEL, Instrument Panel
		4	2, 6	L	11, 12, 14, 15, 16	EX8	DGJ		
		4	2, 6	L	51, 52, 54, 55, 56	EX8	DGJ		
		4	3, 7	L	02, 06	EX8	DGJ		



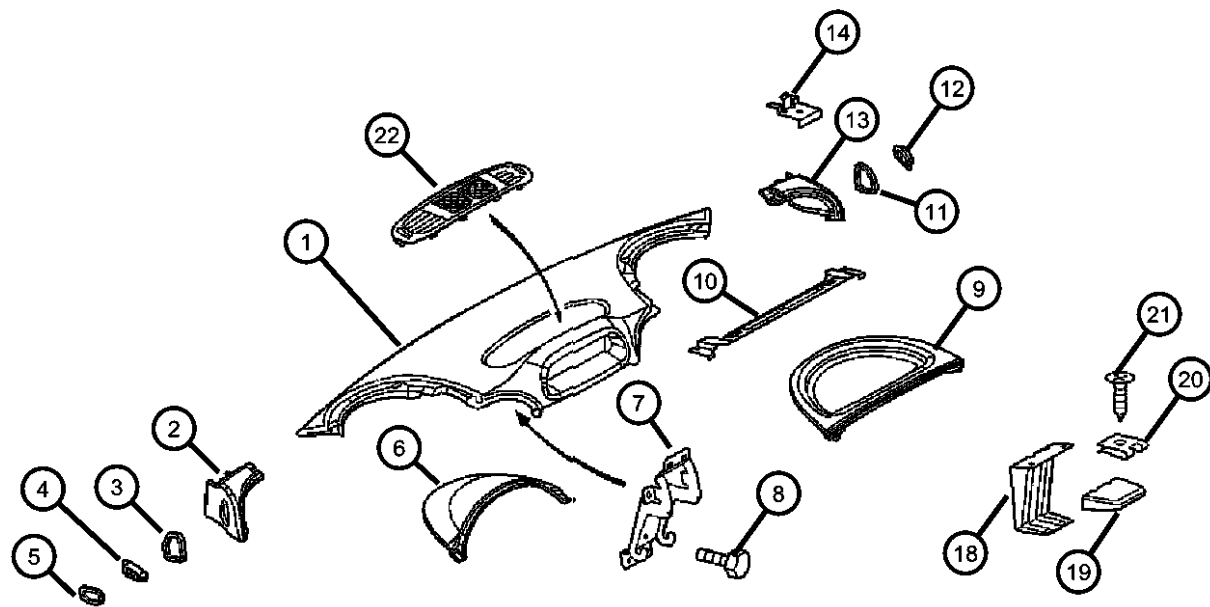
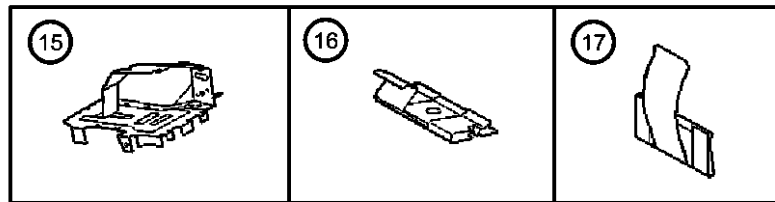
SPRINTER (VA)

SERIES	LINE	BODY	ENGINE	TRANSMISSION
L = LOWLINE	3 = HD DODGE 2WD 8 = HD DODGE 4WD 6 = Lt. Duty DODGE 4WD 2 = Med. Duty DODGE 2WD 7 = Med. Duty DODGE 4WD 4 = TRUCK	12 = Van 140" 51 = Wagon 118" 52 = Wagon 140" 14 = Van 118" 15 = Van 140" 16 = Van 158" 54 = Wagon 118" 55 = Wagon 140" 56 = Wagon 158" 01 = Chassis Forward Control 118" 02 = Chassis Forward Control 140" 06 = Front Section 158" 11 = Van 118"	EX8 = Engine - 2.7L I5 Mercedes-Benz TD	DGJ = Transmission - 5-Spd Auto, MB

AR = use ase required - = Non illustrated part

**Instrument Panel Cover and Related Parts
Figure 08A-120**

ITEM	PART NUMBER	QTY	LINE	SERIES	BODY	ENGINE	TRANS	TRIM	DESCRIPTION
	05104268AA	1	2, 6	L	01, 02, 06	EX8	DGJ		Pigeon Hole Top, Right
		1	2, 6	L	11, 12, 14, 15, 16	EX8	DGJ		Pigeon Hole Top, Right
		1	2, 6	L	51, 52, 54, 55, 56	EX8	DGJ		Pigeon Hole Top, Right
		1	3, 7	L	02, 06	EX8	DGJ		Pigeon Hole Top, Right
		1	3, 7	L	12, 15, 16	EX8	DGJ		Pigeon Hole Top, Right
10									BRACKET, Instrument Panel
	05122390AA	1	3, 7	L	02, 06	EX8	DGJ		
		1	3, 7	L	12, 15, 16	EX8	DGJ		
		1	2, 6	L	01, 02, 06	EX8	DGJ		
		1	2, 6	L	11, 12, 14, 15, 16	EX8	DGJ		
		1	2, 6	L	51, 52, 54, 55, 56	EX8	DGJ		
11									SEAL
	05124784AA	1	2, 6	L	01, 02, 06	EX8	DGJ		Demister to Instrument Panel, Right
		1	2, 6	L	11, 12, 14, 15, 16	EX8	DGJ		Demister to Instrument Panel, Right
		1	2, 6	L	51, 52, 54, 55, 56	EX8	DGJ		Demister to Instrument Panel, Right
		1	3, 7	L	02, 06	EX8	DGJ		Demister to Instrument Panel, Right
		1	3, 7	L	12, 15, 16	EX8	DGJ		Demister to Instrument Panel, Right
12									GRILLE, Demister
	05124911AA	1	2, 6	L	01, 02, 06	EX8	DGJ		Right
		1	2, 6	L	11, 12, 14, 15, 16	EX8	DGJ		Right
		1	2, 6	L	51, 52, 54, 55, 56	EX8	DGJ		Right
		1	3, 7	L	02, 06	EX8	DGJ		Right
		1	3, 7	L	12, 15, 16	EX8	DGJ		Right



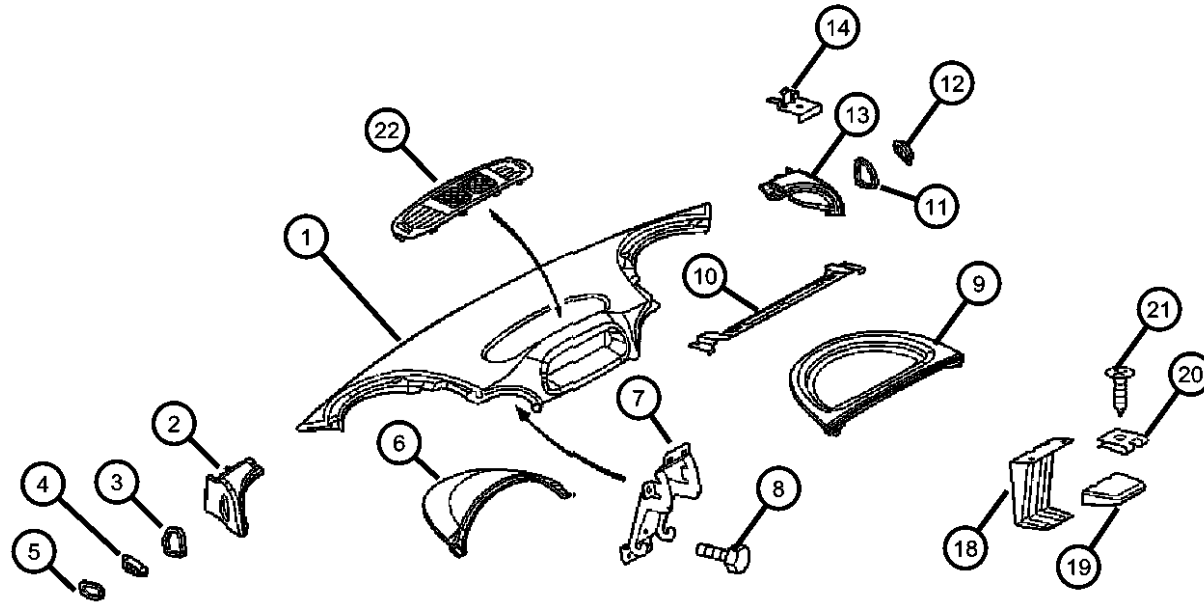
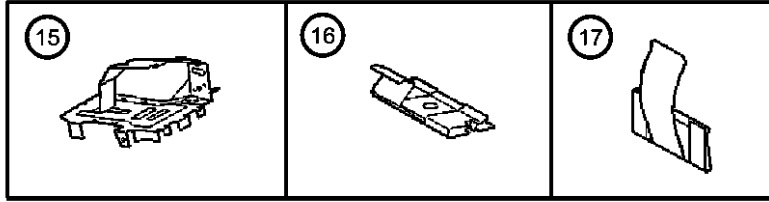
SPRINTER (VA)

SERIES	LINE	BODY	ENGINE	TRANSMISSION
L = LOWLINE	3 = HD DODGE 2WD 8 = HD DODGE 4WD 6 = Lt. Duty DODGE 4WD 2 = Med. Duty DODGE 2WD 7 = Med. Duty DODGE 4WD 4 = TRUCK	12 = Van 140" 51 = Wagon 118" 52 = Wagon 140" 14 = Van 118" 15 = Van 140" 16 = Van 158" 54 = Wagon 118" 55 = Wagon 140" 56 = Wagon 158" 01 = Chassis Forward Control 118" 02 = Chassis Forward Control 140" 06 = Front Section 158" 11 = Van 118"	EX8 = Engine - 2.7L I5 Mercedes-Benz TD	DGJ = Transmission - 5-Spd Auto, MB

AR = use ase required - = Non illustrated part

**Instrument Panel Cover and Related Parts
Figure 08A-120**

ITEM	PART NUMBER	QTY	LINE	SERIES	BODY	ENGINE	TRANS	TRIM	DESCRIPTION
13	05122877AA	1	3, 7	L	02, 06	EX8	DGJ		HOUSING, Air Outlet Right
		1	3, 7	L	12, 15, 16	EX8	DGJ		Right
		1	2, 6	L	01, 02, 06	EX8	DGJ		Right
		1	2, 6	L	11, 12, 14, 15, 16	EX8	DGJ		Right
14	05122889AA	2	2, 6	L	01, 02, 06	EX8	DGJ		BRACKET, Instrument Panel
		2	2, 6	L	11, 12, 14, 15, 16	EX8	DGJ		
		2	2, 6	L	51, 52, 54, 55, 56	EX8	DGJ		
		2	3, 7	L	02, 06	EX8	DGJ		
		2	3, 7	L	12, 15, 16	EX8	DGJ		
15	05122388AA	1	2, 6	L	01, 02, 06	EX8			BRACKET, Instrument Panel
		1	2, 6	L	11, 12, 14, 15, 16	EX8			
		1	2, 6	L	51, 52, 54, 55, 56	EX8			
		1	3, 7	L	02, 06	EX8			
		1	7, 3	L	12, 15, 16	EX8			
16	05125589AA	2	2, 6	L	11, 12, 14, 15, 16	EX8			CLIP, Bracket
		2	2, 6	L	01, 02, 06	EX8			
		2	2, 6	L	51, 52, 54, 55, 56	EX8			
		2	3, 7	L	02, 06	EX8			
		2	3, 7	L	12, 15, 16	EX8			
17	05125590AA	1	2, 6	L	01, 02, 06	EX8	DGJ		CLIP, Spring



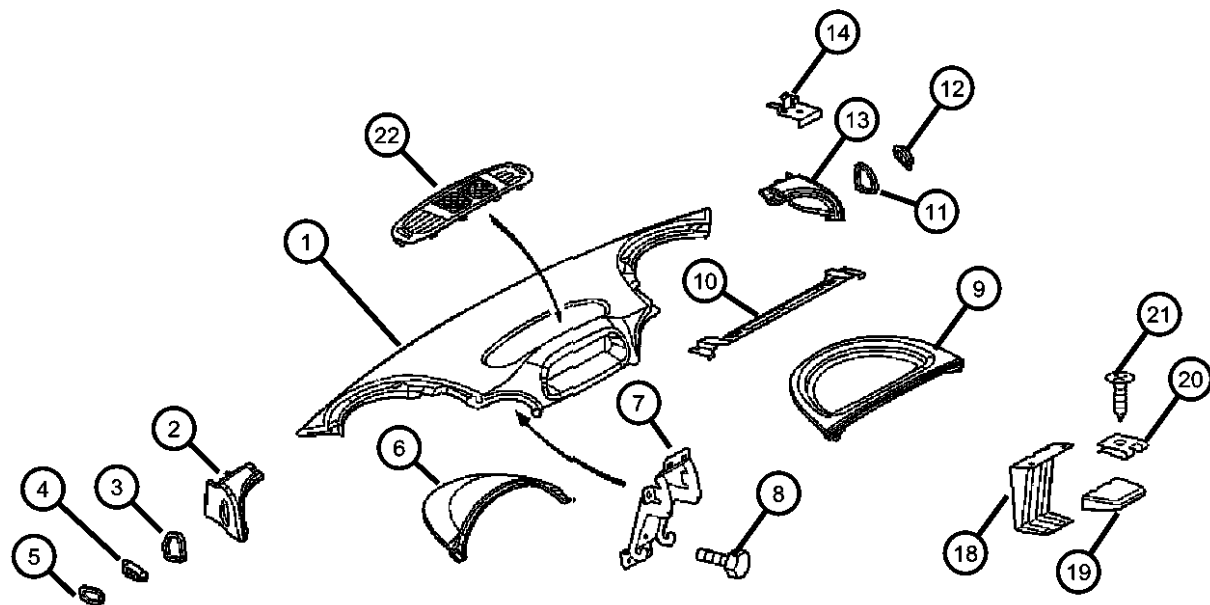
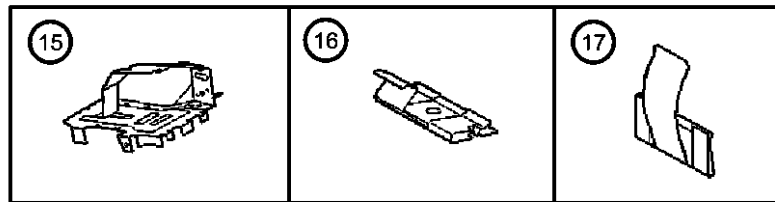
SPRINTER (VA)

SERIES	LINE	BODY	ENGINE	TRANSMISSION
L = LOWLINE	3 = HD DODGE 2WD 8 = HD DODGE 4WD 6 = Lt. Duty DODGE 4WD 2 = Med. Duty DODGE 2WD 7 = Med. Duty DODGE 4WD 4 = TRUCK	12 = Van 140" 51 = Wagon 118" 52 = Wagon 140" 14 = Van 118" 15 = Van 140" 16 = Van 158" 54 = Wagon 118" 55 = Wagon 140" 56 = Wagon 158" 01 = Chassis Forward Control 118" 02 = Chassis Forward Control 140" 06 = Front Section 158" 11 = Van 118"	EX8 = Engine - 2.7L I5 Mercedes-Benz TD	DGJ = Transmission - 5-Spd Auto, MB

AR = use ase required - = Non illustrated part

**Instrument Panel Cover and Related Parts
Figure 08A-120**

ITEM	PART NUMBER	QTY	LINE	SERIES	BODY	ENGINE	TRANS	TRIM	DESCRIPTION
		1	2, 6	L	11, 12, 14, 15, 16	EX8	DGJ		
		1	2, 6	L	51, 52, 54, 55, 56	EX8	DGJ		
		1	3, 7	L	02, 06	EX8	DGJ		
		1	3, 7	L	12, 15, 16	EX8	DGJ		
18	05122394AA	1	2, 6	L	01, 02, 06	EX8	DGJ		BRACKET, Instrument Panel
		1	2, 6	L	11, 12, 14, 15, 16	EX8	DGJ		
		1	2, 6	L	51, 52, 54, 55, 56	EX8	DGJ		
		1	3, 7	L	02, 06	EX8	DGJ		
		1	3, 7	L	12, 15, 16	EX8	DGJ		
19	05122942AA	1	2, 6	L	01, 02, 06	EX8	DGJ		PAD, Console Intermediate
		1	2, 6	L	11, 12, 14, 15, 16	EX8	DGJ		Intermediate
		1	2, 6	L	51, 52, 54, 55, 56	EX8	DGJ		Intermediate
		1	3, 7	L	02, 06	EX8	DGJ		Intermediate
		1	3, 7	L	12, 15, 16	EX8	DGJ		Intermediate
20	05125867AA	2	2, 6	L	01, 02, 06	EX8	DGJ		NUT, Clip-On
		2	2, 6	L	11, 12, 14, 15, 16	EX8	DGJ		
		2	2, 6	L	51, 52, 54, 55, 56	EX8	DGJ		
		2	3, 7	L	02, 06	EX8	DGJ		
		2	3, 7	L	12, 15, 16	EX8	DGJ		
21	06104610AA	1	2, 6	L	01, 02, 06	EX8	DGJ		SCREW



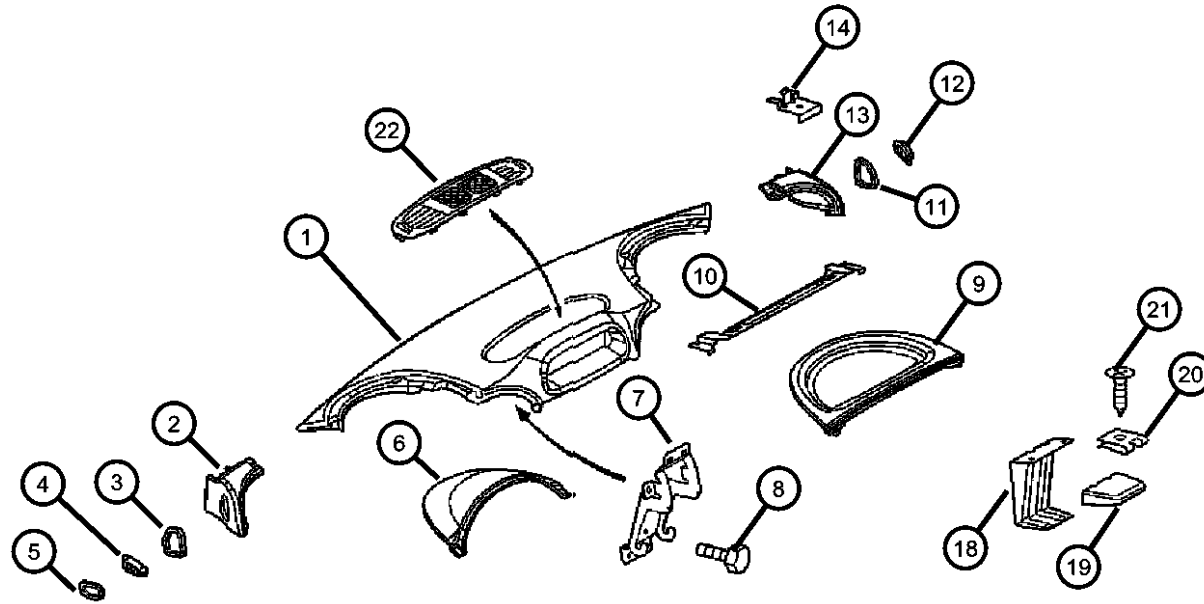
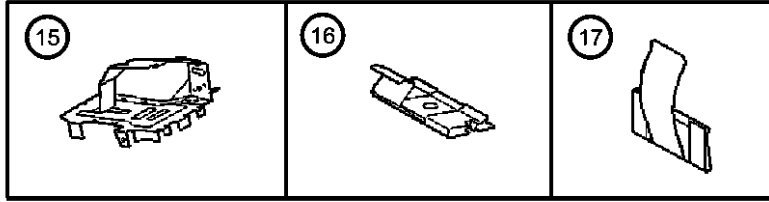
SPRINTER (VA)

SERIES	LINE	BODY	ENGINE	TRANSMISSION
L = LOWLINE	3 = HD DODGE 2WD 8 = HD DODGE 4WD 6 = Lt. Duty DODGE 4WD 2 = Med. Duty DODGE 2WD 7 = Med. Duty DODGE 4WD 4 = TRUCK	12 = Van 140" 51 = Wagon 118" 52 = Wagon 140" 14 = Van 118" 15 = Van 140" 16 = Van 158" 54 = Wagon 118" 55 = Wagon 140" 56 = Wagon 158" 01 = Chassis Forward Control 118" 02 = Chassis Forward Control 140" 06 = Front Section 158" 11 = Van 118"	EX8 = Engine - 2.7L I5 Mercedes-Benz TD	DGJ = Transmission - 5-Spd Auto, MB

AR = use ase required - = Non illustrated part

**Instrument Panel Cover and Related Parts
Figure 08A-120**

ITEM	PART NUMBER	QTY	LINE	SERIES	BODY	ENGINE	TRANS	TRIM	DESCRIPTION
		1	2, 6	L	11, 12, 14, 15, 16	EX8	DGJ		
		1	3, 7	L	12, 15, 16	EX8	DGJ		
		1	2, 6	L	51, 52, 54, 55, 56	EX8	DGJ		
		1	3, 7	L	02, 06	EX8	DGJ		
22	05104271AA	1	2, 6	L	01, 02, 06	EX8	DGJ		GRILLE, Defroster
		1	2, 6	L	11, 12, 14, 15, 16	EX8	DGJ		
		1	2, 6	L	51, 52, 54, 55, 56	EX8	DGJ		
		1	3, 7	L	02, 06	EX8	DGJ		
		1	3, 7	L	12, 15, 16	EX8	DGJ		

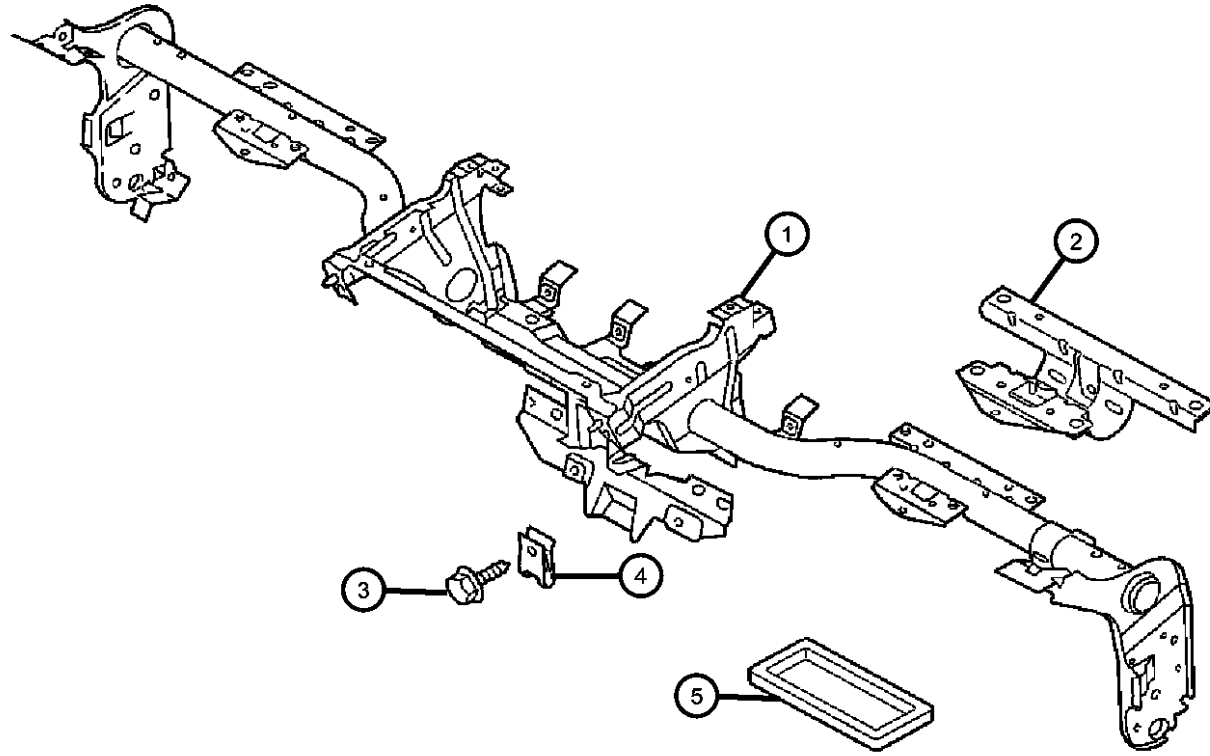


SPRINTER (VA)

SERIES	LINE	BODY	ENGINE	TRANSMISSION
L = LOWLINE	3 = HD DODGE 2WD 8 = HD DODGE 4WD 6 = Lt. Duty DODGE 4WD 2 = Med. Duty DODGE 2WD 7 = Med. Duty DODGE 4WD 4 = TRUCK	12 = Van 140" 51 = Wagon 118" 52 = Wagon 140" 14 = Van 118" 15 = Van 140" 16 = Van 158" 54 = Wagon 118" 55 = Wagon 140" 56 = Wagon 158" 01 = Chassis Forward Control 118" 02 = Chassis Forward Control 140" 06 = Front Section 158" 11 = Van 118"	EX8 = Engine - 2.7L I5 Mercedes-Benz TD	DGJ = Transmission - 5-Spd Auto, MB

AR = use ase required - = Non illustrated part

**Instrument Panel Reinforcement
Figure 08A-125**



ITEM	PART NUMBER	QTY	LINE	SERIES	BODY	ENGINE	TRANS	TRIM	DESCRIPTION
NOTES: Sales Codes [DGJ] = 5 Speed Auto W5A580 Transmission [EX8] = 2.7L I5 Mercedes-Benz TD Engine									
1									FRAME, Instrument Panel
	05133470AA	1	3, 7	L	02, 06	EX8	DGJ		Main Support, Cross Member
		1	3, 7	L	12, 15, 16	EX8	DGJ		Main Support, Cross Member
		1	2, 6	L	01, 02, 06	EX8	DGJ		Main Support, Cross Member
		1	2, 6	L	11, 12, 14, 15, 16	EX8	DGJ		Main Support, Cross Member
		1	2, 6	L	51, 52, 54, 55, 56	EX8	DGJ		Main Support, Cross Member
2									SUPPORT, Instrument Panel
	05122400AA	1	2, 6	L	01, 02, 06	EX8	DGJ		Passenger
		1	2, 6	L	11, 12, 14, 15, 16	EX8	DGJ		Passenger
		1	2, 6	L	51, 52, 54, 55, 56	EX8	DGJ		Passenger
		1	3, 7	L	02, 06	EX8	DGJ		
		1	3, 7	L	12, 15, 16	EX8	DGJ		
3									SCREW
	06104567AA	4	2, 6	L	01, 02, 06	EX8	DGJ		
		4	2, 6	L	11, 12, 14, 15, 16	EX8	DGJ		
		4	2, 6	L	51, 52, 54, 55, 56	EX8	DGJ		
		4	3, 7	L	02, 06	EX8	DGJ		
		4	3, 7	L	12, 15, 16	EX8	DGJ		
4									NUT, Clip-On
	05125853AA	8	2, 6	L	51, 52, 54, 55, 56	EX8	DGJ		
		8	3, 7	L	12, 15, 16	EX8	DGJ		
		8	2, 6	L	11, 12, 14, 15, 16	EX8	DGJ		

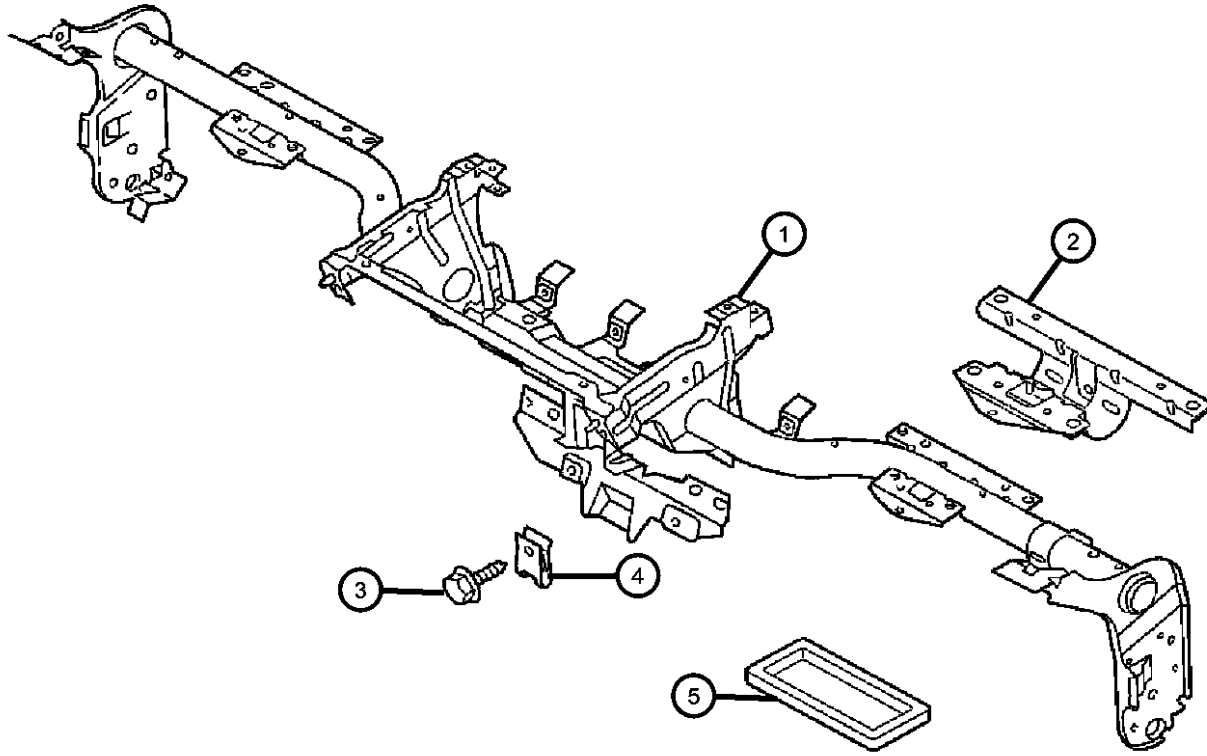
SPRINTER (VA)

SERIES	LINE	BODY	ENGINE	TRANSMISSION
L = LOWLINE	3 = HD DODGE 2WD 8 = HD DODGE 4WD 6 = Lt. Duty DODGE 4WD 2 = Med. Duty DODGE 2WD 7 = Med. Duty DODGE 4WD 4 = TRUCK	12 = Van 140" 51 = Wagon 118" 52 = Wagon 140" 14 = Van 118" 15 = Van 140" 16 = Van 158" 54 = Wagon 118" 55 = Wagon 140" 56 = Wagon 158" 01 = Chassis Forward Control 118" 02 = Chassis Forward Control 140" 06 = Front Section 158" 11 = Van 118"	EX8 = Engine - 2.7L I5 Mercedes-Benz TD	DGJ = Transmission - 5-Spd Auto, MB

AR = use ase required - = Non illustrated part

**Instrument Panel Reinforcement
Figure 08A-125**

ITEM	PART NUMBER	QTY	LINE	SERIES	BODY	ENGINE	TRANS	TRIM	DESCRIPTION
5									SEAL
	05124783AA	2	2, 6	L	01, 02, 06	EX8	DGJ		
		2	2, 6	L	11, 12, 14, 15, 16	EX8	DGJ		
		2	2, 6	L	51, 52, 54, 55, 56	EX8	DGJ		
		2	7, 3	L	02, 06	EX8	DGJ		
		2	3, 7	L	12, 15, 16	EX8	DGJ		



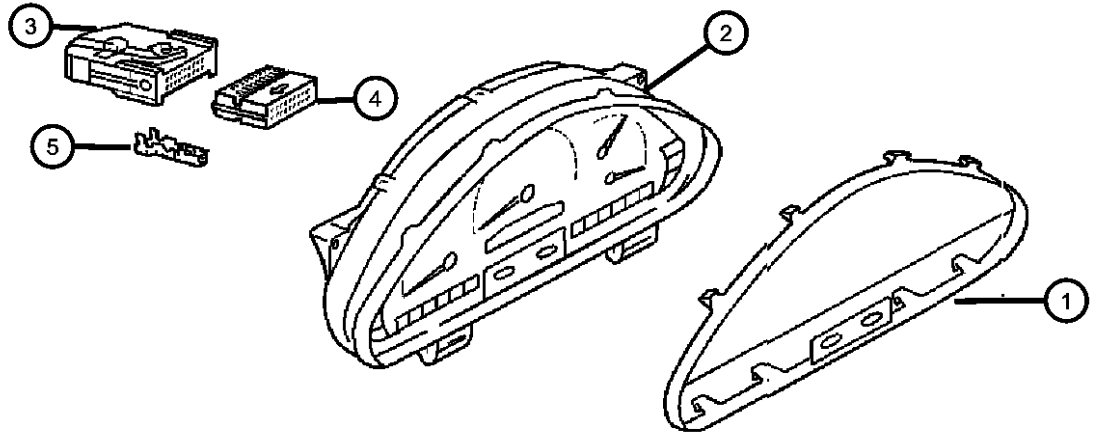
SPRINTER (VA)

SERIES	LINE	BODY	ENGINE	TRANSMISSION
L = LOWLINE	3 = HD DODGE 2WD 8 = HD DODGE 4WD 6 = Lt. Duty DODGE 4WD 2 = Med. Duty DODGE 2WD 7 = Med. Duty DODGE 4WD 4 = TRUCK	12 = Van 140" 51 = Wagon 118" 52 = Wagon 140" 14 = Van 118" 15 = Van 140" 16 = Van 158" 54 = Wagon 118" 55 = Wagon 140" 56 = Wagon 158" 01 = Chassis Forward Control 118" 02 = Chassis Forward Control 140" 06 = Front Section 158" 11 = Van 118"	EX8 = Engine - 2.7L I5 Mercedes-Benz TD	DGJ = Transmission - 5-Spd Auto, MB

AR = use ase required - = Non illustrated part

**Instrument Panel Cluster
Figure 08A-205**

ITEM	PART NUMBER	QTY	LINE	SERIES	BODY	ENGINE	TRANS	TRIM	DESCRIPTION
1									LENS, Cluster
	05103657AA	1	2, 6	L	01, 02, 06	EX8	DGJ		
		1	2, 6	L	11, 12, 14, 15, 16	EX8	DGJ		
		1	2, 6	L	51, 52, 54, 55, 56	EX8	DGJ		
		1	3, 7	L	02, 06	EX8	DGJ		
		1	3, 7	L	12, 15, 16	EX8	DGJ		
2									CLUSTER, Instrument Panel
	05166724AA	1	2, 6	L	01, 02, 06	EX8	DGJ		[4Z2,4Z1]
		1	2, 6	L	11, 12, 14, 15, 16	EX8	DGJ		[4Z2,4Z1]
		1	2, 6	L	51, 52, 54, 55, 56	EX8	DGJ		[4Z2,4Z1]
		1	3, 7	L	02, 06	EX8	DGJ		[4Z2,4Z1]
		1	3, 7	L	12, 15, 16	EX8	DGJ		[4Z2,4Z1]
	05166725AA	1	2, 6	L	11, 12, 14, 15, 16	EX8	DGJ		[3SL,4XS]
		1	2, 6	L	51, 52, 54, 55, 56	EX8	DGJ		[3SL,4XS]
		1	2, 6	L	01, 02, 06	EX8	DGJ		[3SL,4XS]
		1	3, 7	L	12, 15, 16	EX8	DGJ		[3SL,4XS]
		1	3, 7	L	02, 06	EX8	DGJ		[3SL,4XS]
3									CONNECTOR, Wiring
	05103662AA	1	2, 6	L	01, 02, 06	EX8	DGJ		
		1	2, 6	L	11, 12, 14, 15, 16	EX8	DGJ		
		1	2, 6	L	51, 52, 54, 55, 56	EX8	DGJ		
		1	3, 7	L	02, 06	EX8	DGJ		
		1	3, 7	L	12, 15, 16	EX8	DGJ		
4									CONNECTOR
	05103750AA	1	2, 6	L	01, 02, 06	EX8	DGJ		

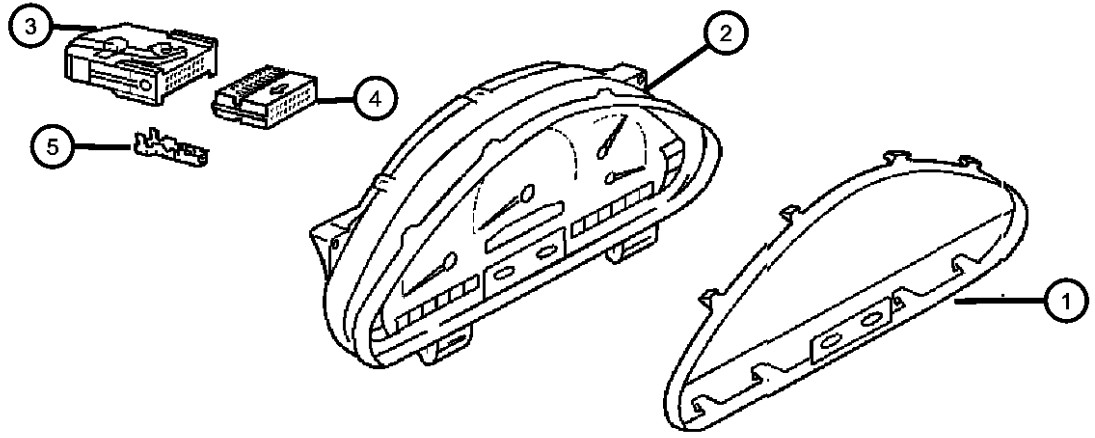


SPRINTER (VA)
 SERIES LINE BODY ENGINE TRANSMISSION
 L = LOWLINE 3 = HD DODGE 2WD 12 = Van 140" EX8 = Engine - 2.7L I5 Mercedes-Benz TD DGJ = Transmission - 5-Spd Auto, MB
 8 = HD DODGE 4WD 51 = Wagon 118"
 6 = Lt. Duty DODGE 4WD 52 = Wagon 140"
 2 = Med. Duty DODGE 2WD 14 = Van 118"
 7 = Med. Duty DODGE 4WD 15 = Van 140"
 4 = TRUCK 16 = Van 158"
 54 = Wagon 118"
 55 = Wagon 140"
 56 = Wagon 158"
 01 = Chassis Forward Control 118"
 02 = Chassis Forward Control 140"
 06 = Front Section 158"
 11 = Van 118"

AR = use ase required - = Non illustrated part

**Instrument Panel Cluster
Figure 08A-205**

ITEM	PART NUMBER	QTY	LINE	SERIES	BODY	ENGINE	TRANS	TRIM	DESCRIPTION
		1	2, 6	L	11, 12, 14, 15, 16	EX8	DGJ		
		1	2, 6	L	51, 52, 54, 55, 56	EX8	DGJ		
		1	3, 7	L	02, 06	EX8	DGJ		
		1	3, 7	L	12, 15, 16	EX8	DGJ		
5	05103873AA	99	2, 6	L	01, 02, 06	EX8	DGJ		TERMINAL Door Panel Wiring
		99	2, 6	L	11, 12, 14, 15, 16	EX8	DGJ		Door Panel Wiring
		99	2, 6	L	51, 52, 54, 55, 56	EX8	DGJ		Door Panel Wiring
		99	3, 7	L	02, 06	EX8	DGJ		Door Panel Wiring
		99	3, 7	L	12, 15, 16	EX8	DGJ		Door Panel Wiring



SPRINTER (VA)

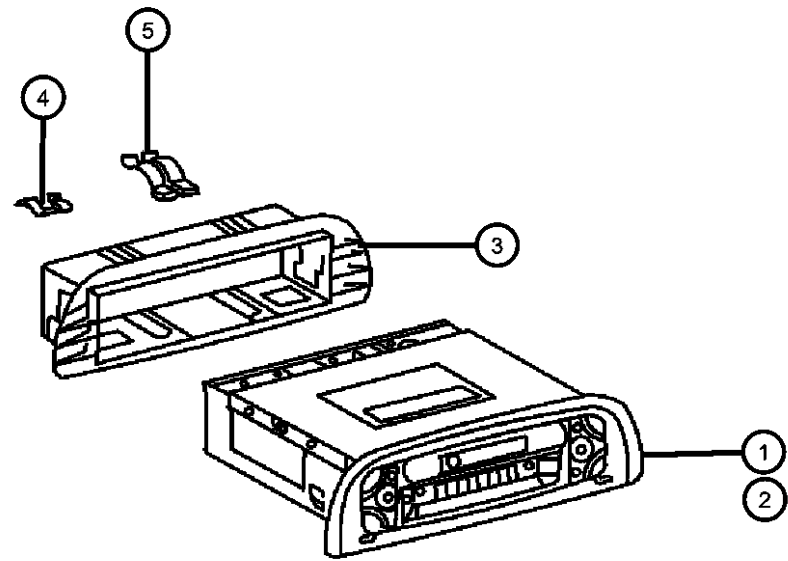
SERIES	LINE	BODY	ENGINE	TRANSMISSION
L = LOWLINE	3 = HD DODGE 2WD 8 = HD DODGE 4WD 6 = Lt. Duty DODGE 4WD 2 = Med. Duty DODGE 2WD 7 = Med. Duty DODGE 4WD 4 = TRUCK	12 = Van 140" 51 = Wagon 118" 52 = Wagon 140" 14 = Van 118" 15 = Van 140" 16 = Van 158" 54 = Wagon 118" 55 = Wagon 140" 56 = Wagon 158" 01 = Chassis Forward Control 118" 02 = Chassis Forward Control 140" 06 = Front Section 158" 11 = Van 118"	EX8 = Engine - 2.7L I5 Mercedes-Benz TD	DGJ = Transmission - 5-Spd Auto, MB

AR = use ase required - = Non illustrated part

Radio
Figure 08A-305

ITEM	PART NUMBER	QTY	LINE	SERIES	BODY	ENGINE	TRANS	TRIM	DESCRIPTION
------	-------------	-----	------	--------	------	--------	-------	------	-------------

NOTES:
Sales Codes:
[EX8] = 2.7L I5 Mercedes-Benz TD Engine



1	05124583AA	1	2, 6	L	01, 02, 06	EX8	DGJ		RADIO [RAF]
		1	2, 6	L	11, 12, 14, 15, 16	EX8	DGJ		[RAF]
		1	3, 7	L	02, 06	EX8	DGJ		[RAF]
		1	3, 7	L	12, 15, 16	EX8	DGJ		[RAF]
		1	2, 6	L	51, 52, 54, 55, 56	EX8	DGJ		[RAF]
2	05124585AA	1	2, 6	L	51, 52, 54, 55, 56	EX8	DGJ		RADIO, AM/FM with CD [RBE]
		1	3, 7	L	02, 06	EX8	DGJ		[RBE]
		1	2, 6	L	01, 02, 06	EX8	DGJ		[RBE]
		1	2, 6	L	11, 12, 14, 15, 16	EX8	DGJ		[RBE]
		1	3, 7	L	12, 15, 16	EX8	DGJ		[RBE]
3	05122939AA	1	2, 6	L	01, 02, 06	EX8	DGJ		BEZEL, Instrument Panel, Radio Housing
		1	2, 6	L	11, 12, 14, 15, 16	EX8	DGJ		
		1	2, 6	L	51, 52, 54, 55, 56	EX8	DGJ		
		1	3, 7	L	02, 06	EX8	DGJ		
		1	3, 7	L	12, 15, 16	EX8	DGJ		
4	05124612AA	2	2, 6	L	01, 02, 06	EX8	DGJ		CLIP, Spring
		2	2, 6	L	11, 12, 14, 15, 16	EX8	DGJ		
		2	2, 6	L	51, 52, 54, 55, 56	EX8	DGJ		

SPRINTER (VA)

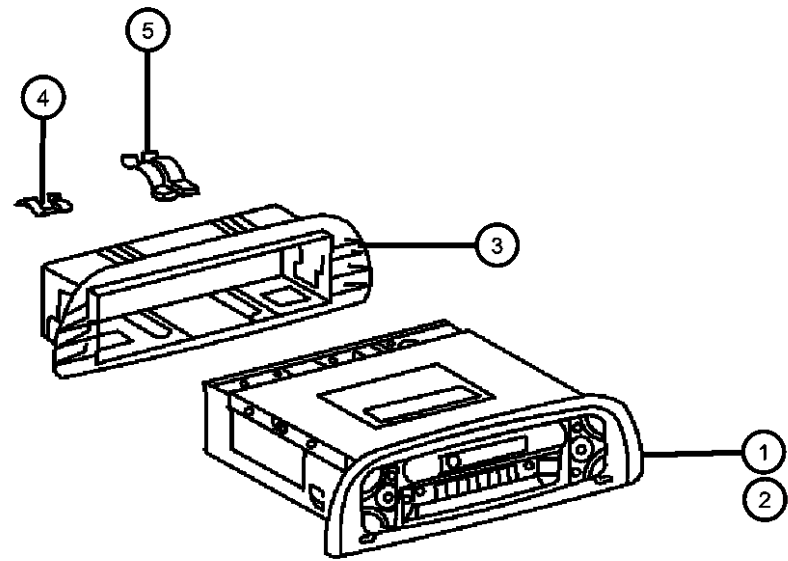
SERIES	LINE	BODY	ENGINE	TRANSMISSION
L = LOWLINE	3 = HD DODGE 2WD 8 = HD DODGE 4WD 6 = Lt. Duty DODGE 4WD 2 = Med. Duty DODGE 2WD 7 = Med. Duty DODGE 4WD 4 = TRUCK	12 = Van 140" 51 = Wagon 118" 52 = Wagon 140" 14 = Van 118" 15 = Van 140" 16 = Van 158" 54 = Wagon 118" 55 = Wagon 140" 56 = Wagon 158" 01 = Chassis Forward Control 118" 02 = Chassis Forward Control 140" 06 = Front Section 158" 11 = Van 118"	EX8 = Engine - 2.7L I5 Mercedes-Benz TD	DGJ = Transmission - 5-Spd Auto, MB

AR = use ase required - = Non illustrated part

2005 VA

**Radio
Figure 08A-305**

ITEM	PART NUMBER	QTY	LINE	SERIES	BODY	ENGINE	TRANS	TRIM	DESCRIPTION
		2	3, 7	L	02, 06	EX8	DGJ		
		2	3, 7	L	12, 15, 16	EX8	DGJ		
5	05124613AA	2	2, 6	L	01, 02, 06	EX8	DGJ		CLIP, Spring
		2	2, 6	L	11, 12, 14, 15, 16	EX8	DGJ		
		2	3, 7	L	12, 15, 16	EX8	DGJ		
		2	2, 6	L	51, 52, 54, 55, 56	EX8	DGJ		
		2	3, 7	L	02, 06	EX8	DGJ		

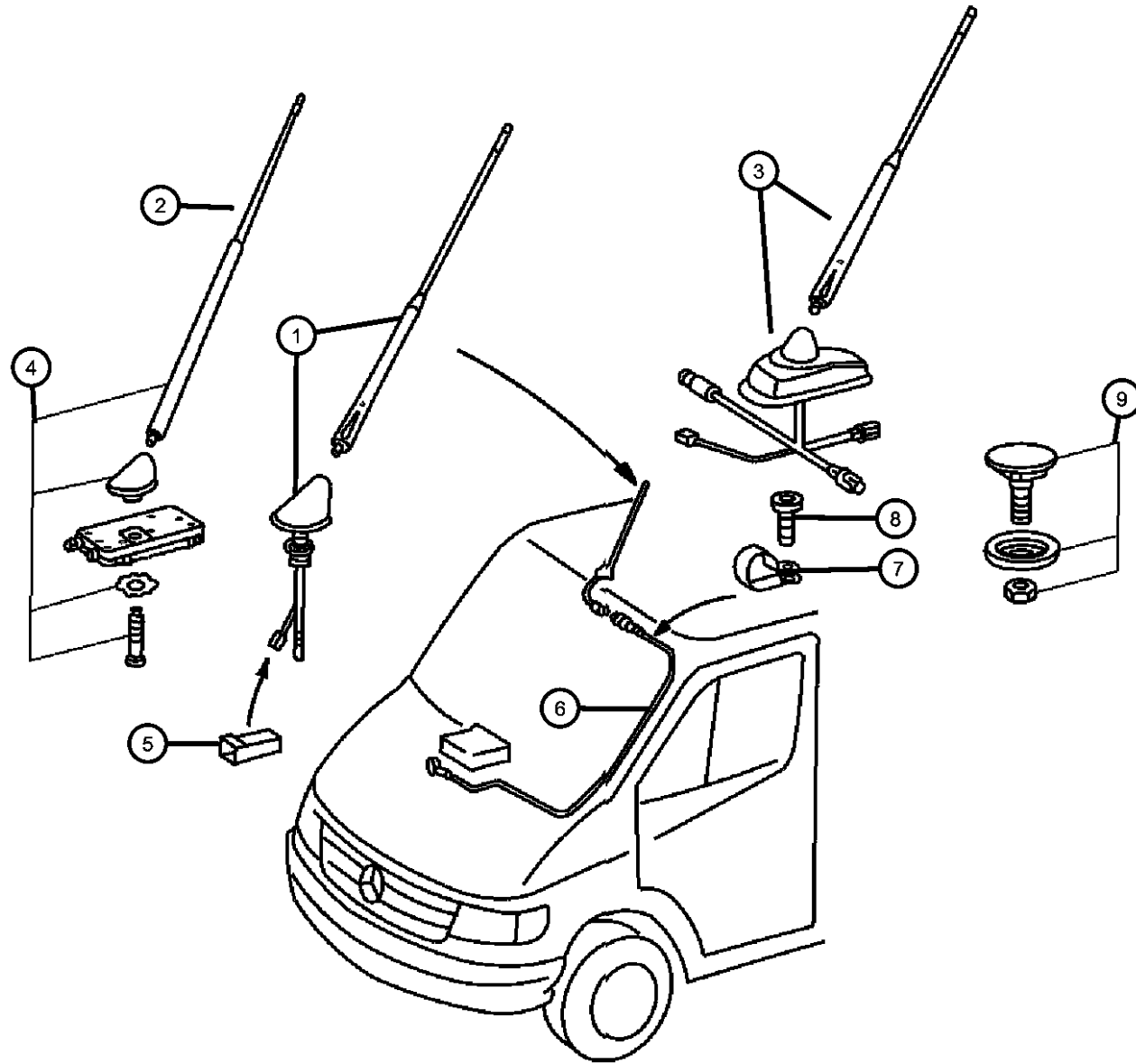


SPRINTER (VA)

SERIES	LINE	BODY	ENGINE	TRANSMISSION
L = LOWLINE	3 = HD DODGE 2WD 8 = HD DODGE 4WD 6 = Lt. Duty DODGE 4WD 2 = Med. Duty DODGE 2WD 7 = Med. Duty DODGE 4WD 4 = TRUCK	12 = Van 140" 51 = Wagon 118" 52 = Wagon 140" 14 = Van 118" 15 = Van 140" 16 = Van 158" 54 = Wagon 118" 55 = Wagon 140" 56 = Wagon 158" 01 = Chassis Forward Control 118" 02 = Chassis Forward Control 140" 06 = Front Section 158" 11 = Van 118"	EX8 = Engine - 2.7L I5 Mercedes-Benz TD	DGJ = Transmission - 5-Spd Auto, MB

AR = use ase required - = Non illustrated part

**Antenna
Figure 08A-310**



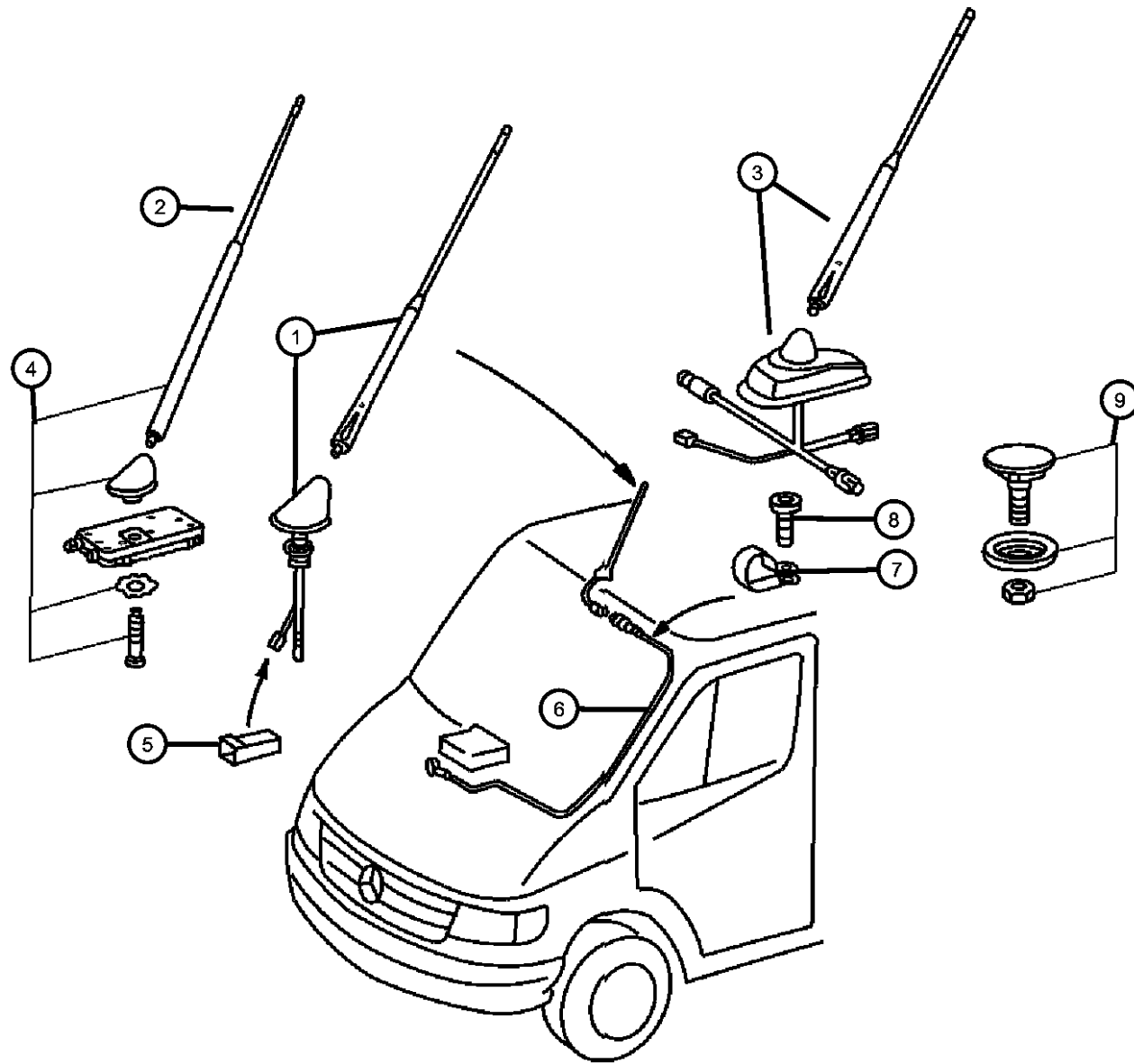
ITEM	PART NUMBER	QTY	LINE	SERIES	BODY	ENGINE	TRANS	TRIM	DESCRIPTION
1	05124563AA	1	2, 6	L	01, 02, 06	EX8	DGJ		ANTENNA
		1	2, 6	L	11, 12, 14, 15, 16	EX8	DGJ		
		1	2, 6	L	51, 52, 54, 55, 56	EX8	DGJ		
		1	3, 7	L	02, 06	EX8	DGJ		
		1	3, 7	L	12, 15, 16	EX8	DGJ		
2	05133980AA	1	2, 6	L	01, 02, 06	EX8	DGJ		ANTENNA
		1	2, 6	L	11, 12, 14, 15, 16	EX8	DGJ		
		1	2, 6	L	51, 52, 54, 55, 56	EX8	DGJ		
		1	3, 7	L	02, 06	EX8	DGJ		
		1	3, 7	L	12, 15, 16	EX8	DGJ		
3	05124561AA	1	2, 6	L	01, 02, 06	EX8	DGJ		ANTENNA
		1	2, 6	L	11, 12, 14, 15, 16	EX8	DGJ		
		1	2, 6	L	51, 52, 54, 55, 56	EX8	DGJ		
		1	3, 7	L	02, 06	EX8	DGJ		
		1	3, 7	L	12, 15, 16	EX8	DGJ		
4	05124561AA	1	2, 6	L	01, 02, 06	EX8	DGJ		ANTENNA
		1	2, 6	L	11, 12, 14, 15, 16	EX8	DGJ		
		1	2, 6	L	51, 52, 54, 55, 56	EX8	DGJ		
		1	3, 7	L	02, 06	EX8	DGJ		
		1	3, 7	L	12, 15, 16	EX8	DGJ		
5								CONNECTOR	

SPRINTER (VA)

SERIES	LINE	BODY	ENGINE	TRANSMISSION
L = LOWLINE	3 = HD DODGE 2WD 8 = HD DODGE 4WD 6 = Lt. Duty DODGE 4WD 2 = Med. Duty DODGE 2WD 7 = Med. Duty DODGE 4WD 4 = TRUCK	12 = Van 140" 51 = Wagon 118" 52 = Wagon 140" 14 = Van 118" 15 = Van 140" 16 = Van 158" 54 = Wagon 118" 55 = Wagon 140" 56 = Wagon 158" 01 = Chassis Forward Control 118" 02 = Chassis Forward Control 140" 06 = Front Section 158" 11 = Van 118"	EX8 = Engine - 2.7L I5 Mercedes-Benz TD	DGJ = Transmission - 5-Spd Auto, MB

AR = use ase required - = Non illustrated part

**Antenna
Figure 08A-310**



ITEM	PART NUMBER	QTY	LINE	SERIES	BODY	ENGINE	TRANS	TRIM	DESCRIPTION
6	05120596AA	2	2, 6	L	11, 12, 14, 15, 16	EX8	DGJ		CABLE, Antenna
		2	3, 7	L	12, 15, 16	EX8	DGJ		
	05133983AA	1	2, 6	L	01, 02, 06	EX8	DGJ		
		1	2, 6	L	11, 12, 14, 15, 16	EX8	DGJ		
		1	2, 6	L	51, 52, 54, 55, 56	EX8	DGJ		
		1	3, 7	L	02, 06	EX8	DGJ		
7		1	3, 7	L	12, 15, 16	EX8	DGJ		CLAMP, Mounting
	05125874AA	1	2, 6	L	01, 02, 06	EX8	DGJ		
		1	2, 6	L	11, 12, 14, 15, 16	EX8	DGJ		
		1	2, 6	L	51, 52, 54, 55, 56	EX8	DGJ		
8		1	3, 7	L	02, 06	EX8	DGJ		SCREW
		1	3, 7	L	12, 15, 16	EX8	DGJ		
	06104504AA	1	2, 6	L	01, 02, 06	EX8	DGJ		
		1	2, 6	L	11, 12, 14, 15, 16	EX8	DGJ		
9		1	2, 6	L	51, 52, 54, 55, 56	EX8	DGJ		PANEL
		1	3, 7	L	02, 06	EX8	DGJ		
		1	3, 7	L	12, 15, 16	EX8	DGJ		
	05124422AA	1	2, 6	L	01, 02, 06	EX8	DGJ		
	1	2, 6	L	11, 12, 14, 15, 16	EX8	DGJ			
	1	2, 6	L	51, 52, 54, 55, 56	EX8	DGJ			

SPRINTER (VA)

SERIES

L = LOWLINE

LINE

3 = HD DODGE 2WD
 8 = HD DODGE 4WD
 6 = Lt. Duty DODGE 4WD
 2 = Med. Duty DODGE 2WD
 7 = Med. Duty DODGE 4WD
 4 = TRUCK

BODY

12 = Van 140"
 51 = Wagon 118"
 52 = Wagon 140"
 14 = Van 118"
 15 = Van 140"
 16 = Van 158"
 54 = Wagon 118"
 55 = Wagon 140"
 56 = Wagon 158"
 01 = Chassis Forward Control
 118"
 02 = Chassis Forward Control
 140"
 06 = Front Section 158"
 11 = Van 118"

ENGINE

EX8 = Engine - 2.7L I5
 Mercedes-Benz TD

TRANSMISSION

DGJ = Transmission - 5-Spd Auto, MB

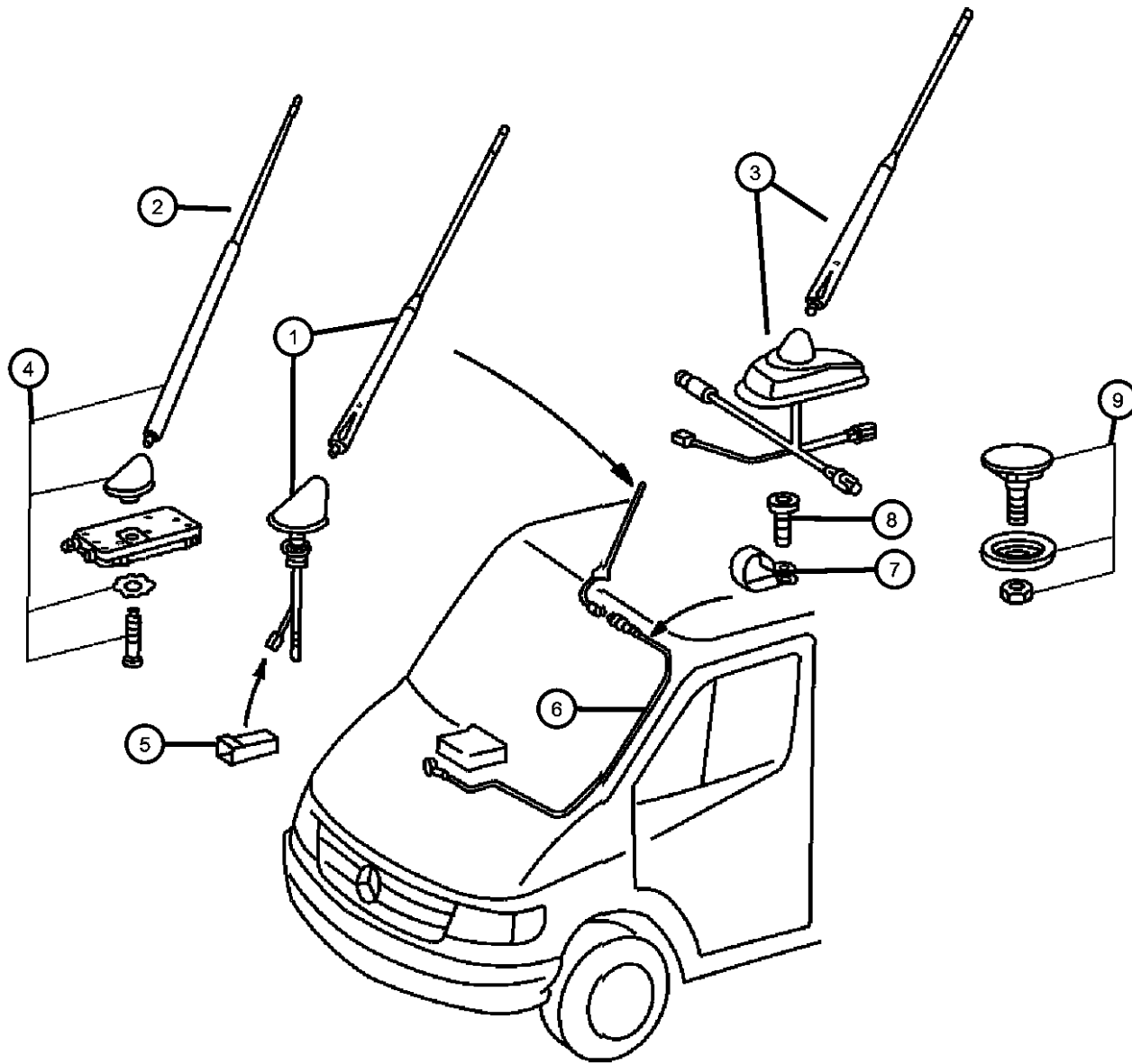
AR = use ase required - = Non illustrated part

2005 VA

Antenna
Figure 08A-310

ITEM	PART NUMBER	QTY	LINE	SERIES	BODY	ENGINE	TRANS	TRIM	DESCRIPTION
------	-------------	-----	------	--------	------	--------	-------	------	-------------

		1	3, 7	L	02, 06	EX8	DGJ		
		1	3, 7	L	12, 15, 16	EX8	DGJ		



SPRINTER (VA)

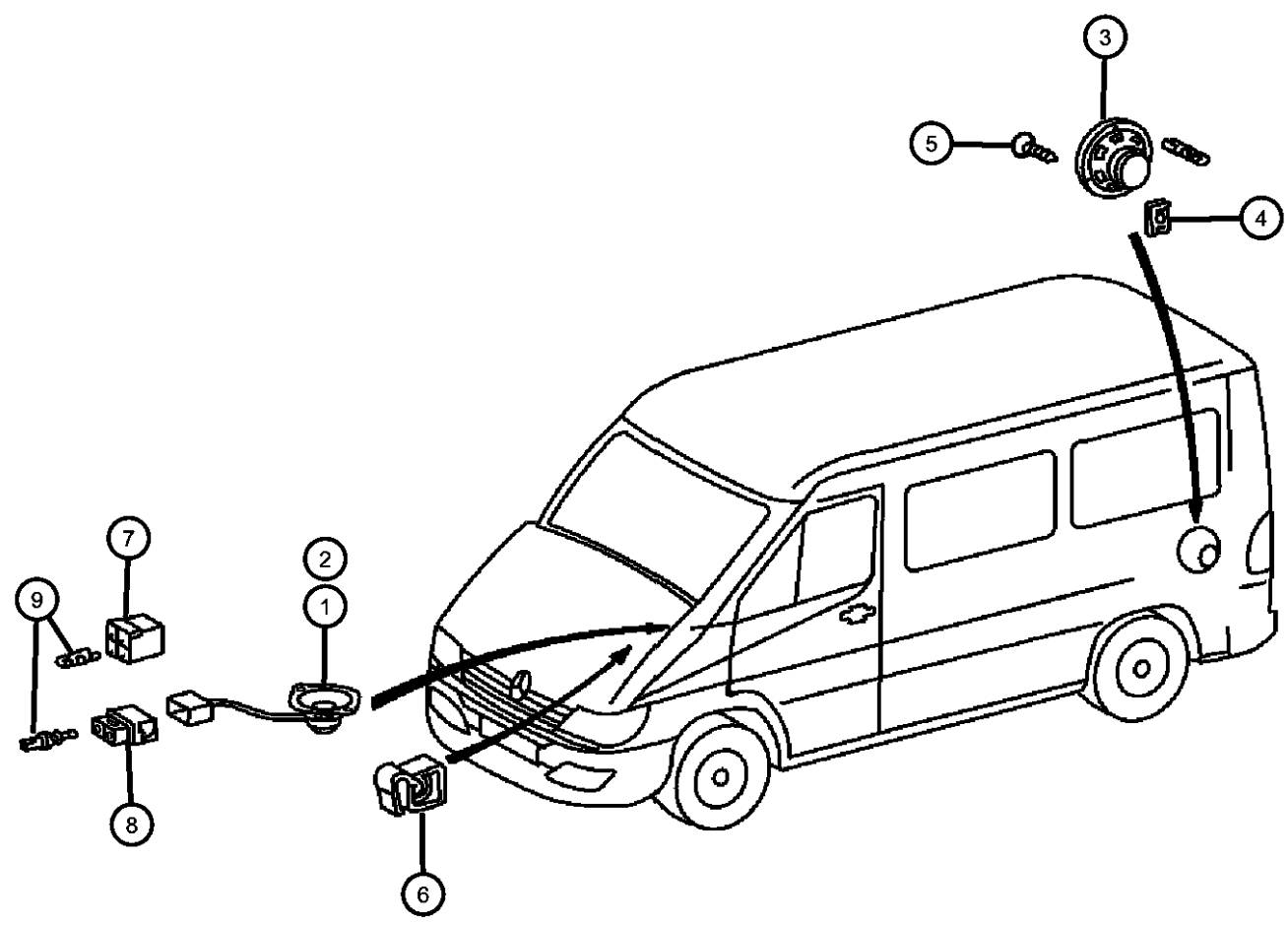
SERIES	LINE	BODY	ENGINE	TRANSMISSION
L = LOWLINE	3 = HD DODGE 2WD 8 = HD DODGE 4WD 6 = Lt. Duty DODGE 4WD 2 = Med. Duty DODGE 2WD 7 = Med. Duty DODGE 4WD 4 = TRUCK	12 = Van 140" 51 = Wagon 118" 52 = Wagon 140" 14 = Van 118" 15 = Van 140" 16 = Van 158" 54 = Wagon 118" 55 = Wagon 140" 56 = Wagon 158" 01 = Chassis Forward Control 118" 02 = Chassis Forward Control 140" 06 = Front Section 158" 11 = Van 118"	EX8 = Engine - 2.7L I5 Mercedes-Benz TD	DGJ = Transmission - 5-Spd Auto, MB

AR = use ase required - = Non illustrated part

2005 VA

**Speakers
Figure 08A-315**

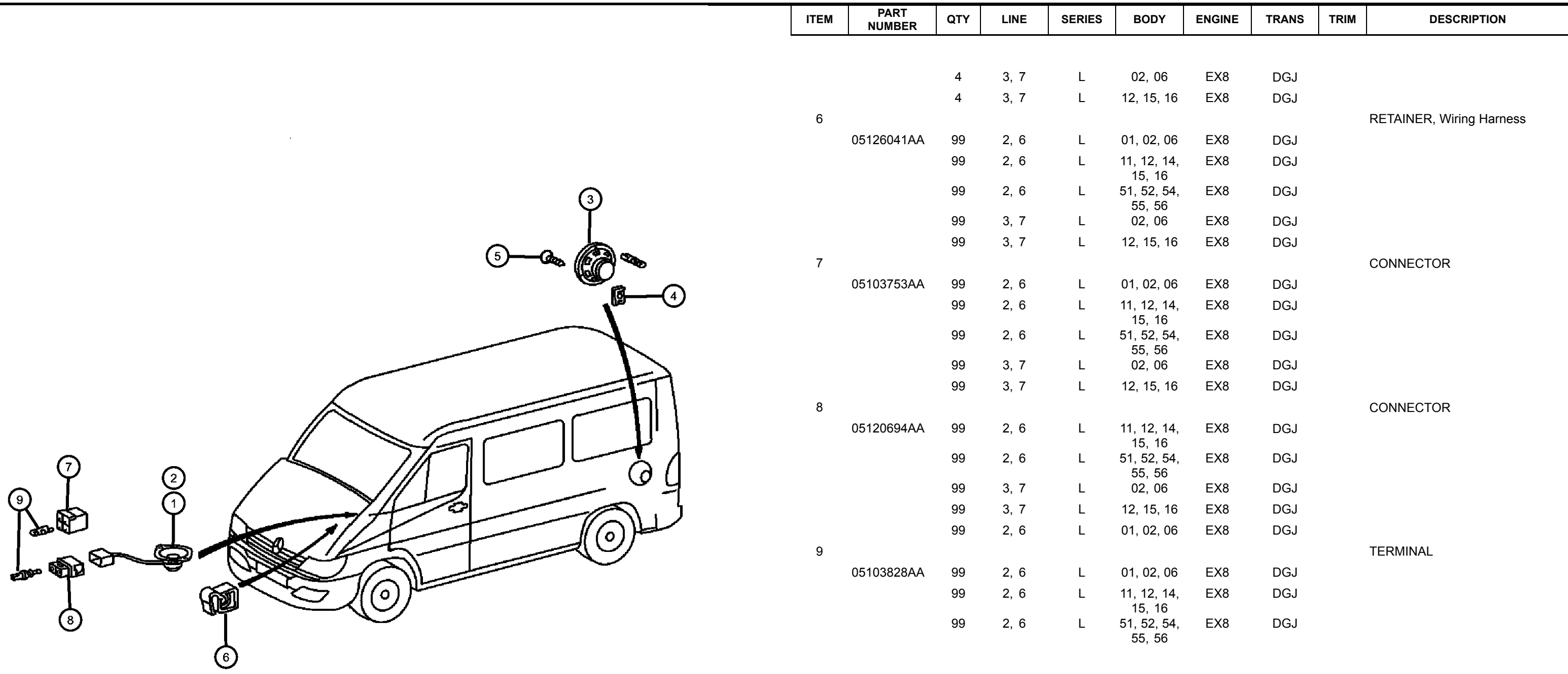
ITEM	PART NUMBER	QTY	LINE	SERIES	BODY	ENGINE	TRANS	TRIM	DESCRIPTION
1	05103762AA	2	2, 6	L	51, 52, 54, 55, 56				SPEAKER, Front
		2	3, 7	L	02, 06				
		2	2, 6	L	01, 02, 06				
		2	2, 6	L	11, 12, 14, 15, 16				
		2	3, 7	L	12, 15, 16				
2	05124409AA	1	2, 6	L	01, 02, 06				SPEAKER
		1	2, 6	L	11, 12, 14, 15, 16				
		1	2, 6	L	51, 52, 54, 55, 56				
		1	3, 7	L	02, 06				
		1	3, 7	L	12, 15, 16				
3	05124619AA	2	2, 6	L	11, 12, 14, 15, 16				SPEAKER, Rear
		2	2, 6	L	51, 52, 54, 55, 56				
		2	3, 7	L	12, 15, 16				
4	05125853AA	8	2, 6	L	11, 12, 14, 15, 16	EX8	DGJ		NUT, Clip-On
		8	2, 6	L	51, 52, 54, 55, 56	EX8	DGJ		
		8	3, 7	L	12, 15, 16	EX8	DGJ		
5	06104615AA	4	2, 6	L	01, 02, 06	EX8	DGJ		SCREW, Tapping
		4	2, 6	L	11, 12, 14, 15, 16	EX8	DGJ		
		4	2, 6	L	51, 52, 54, 55, 56	EX8	DGJ		



SPRINTER (VA)
 SERIES LINE BODY ENGINE TRANSMISSION
 L = LOWLINE 3 = HD DODGE 2WD 12 = Van 140" EX8 = Engine - 2.7L I5 DGJ = Transmission - 5-Spd Auto, MB
 8 = HD DODGE 4WD 51 = Wagon 118" Mercedes-Benz TD
 6 = Lt. Duty DODGE 4WD 52 = Wagon 140"
 2 = Med. Duty DODGE 2WD 14 = Van 118"
 7 = Med. Duty DODGE 4WD 15 = Van 140"
 4 = TRUCK 16 = Van 158"
 54 = Wagon 118"
 55 = Wagon 140"
 56 = Wagon 158"
 01 = Chassis Forward Control
 118"
 02 = Chassis Forward Control
 140"
 06 = Front Section 158"
 11 = Van 118"

AR = use ase required - = Non illustrated part

**Speakers
Figure 08A-315**



ITEM	PART NUMBER	QTY	LINE	SERIES	BODY	ENGINE	TRANS	TRIM	DESCRIPTION
		4	3, 7	L	02, 06	EX8	DGJ		
		4	3, 7	L	12, 15, 16	EX8	DGJ		
6	05126041AA	99	2, 6	L	01, 02, 06	EX8	DGJ		RETAINER, Wiring Harness
		99	2, 6	L	11, 12, 14, 15, 16	EX8	DGJ		
		99	2, 6	L	51, 52, 54, 55, 56	EX8	DGJ		
		99	3, 7	L	02, 06	EX8	DGJ		
		99	3, 7	L	12, 15, 16	EX8	DGJ		
7	05103753AA	99	2, 6	L	01, 02, 06	EX8	DGJ		CONNECTOR
		99	2, 6	L	11, 12, 14, 15, 16	EX8	DGJ		
		99	2, 6	L	51, 52, 54, 55, 56	EX8	DGJ		
		99	3, 7	L	02, 06	EX8	DGJ		
		99	3, 7	L	12, 15, 16	EX8	DGJ		
8	05120694AA	99	2, 6	L	11, 12, 14, 15, 16	EX8	DGJ		CONNECTOR
		99	2, 6	L	51, 52, 54, 55, 56	EX8	DGJ		
		99	3, 7	L	02, 06	EX8	DGJ		
		99	3, 7	L	12, 15, 16	EX8	DGJ		
		99	2, 6	L	01, 02, 06	EX8	DGJ		
9	05103828AA	99	2, 6	L	01, 02, 06	EX8	DGJ		TERMINAL
		99	2, 6	L	11, 12, 14, 15, 16	EX8	DGJ		
		99	2, 6	L	51, 52, 54, 55, 56	EX8	DGJ		

SPRINTER (VA)

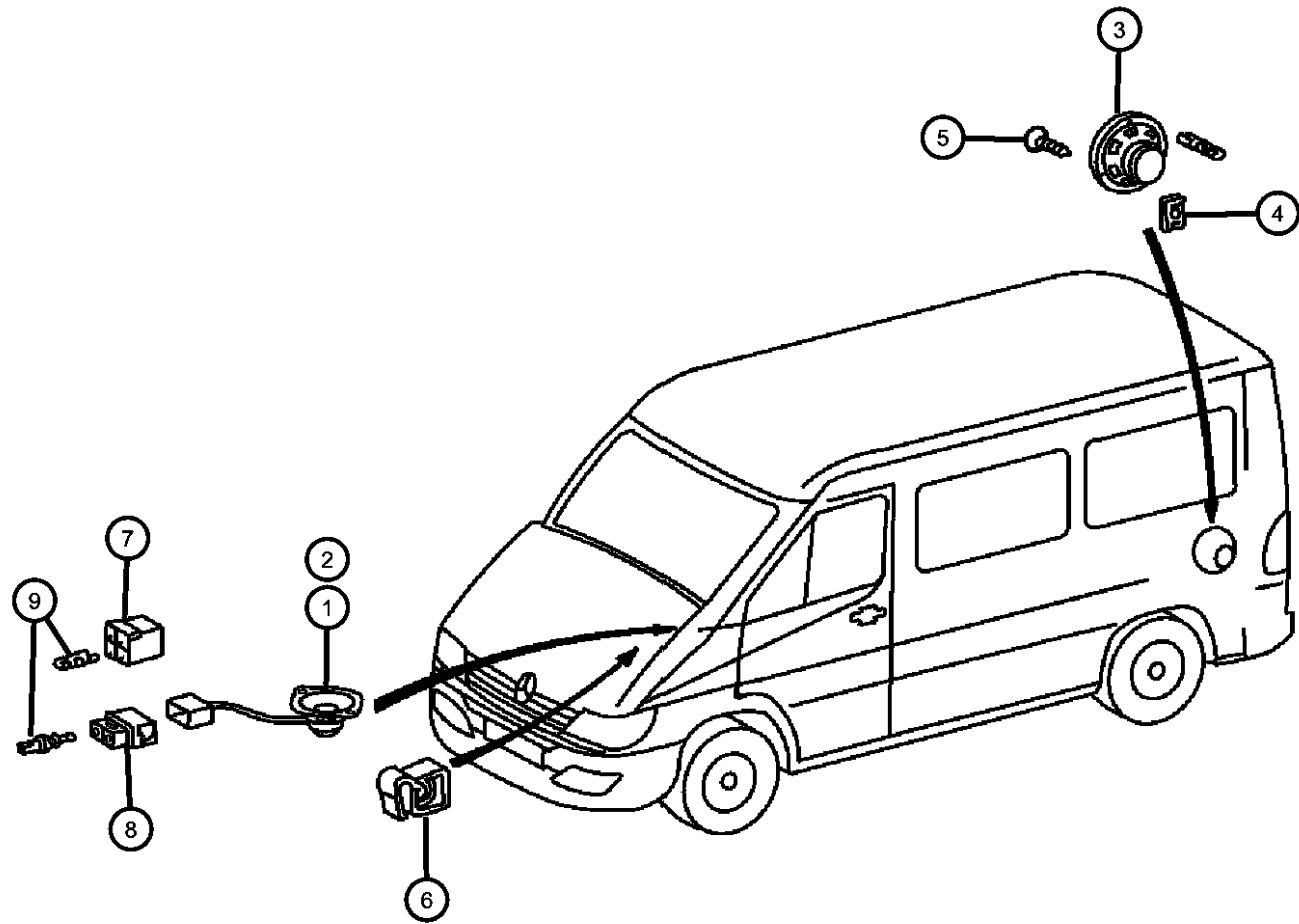
SERIES	LINE	BODY	ENGINE	TRANSMISSION
L = LOWLINE	3 = HD DODGE 2WD 8 = HD DODGE 4WD 6 = Lt. Duty DODGE 4WD 2 = Med. Duty DODGE 2WD 7 = Med. Duty DODGE 4WD 4 = TRUCK	12 = Van 140" 51 = Wagon 118" 52 = Wagon 140" 14 = Van 118" 15 = Van 140" 16 = Van 158" 54 = Wagon 118" 55 = Wagon 140" 56 = Wagon 158" 01 = Chassis Forward Control 118" 02 = Chassis Forward Control 140" 06 = Front Section 158" 11 = Van 118"	EX8 = Engine - 2.7L I5 Mercedes-Benz TD	DGJ = Transmission - 5-Spd Auto, MB

AR = use ase required - = Non illustrated part

Speakers
Figure 08A-315

ITEM	PART NUMBER	QTY	LINE	SERIES	BODY	ENGINE	TRANS	TRIM	DESCRIPTION
------	-------------	-----	------	--------	------	--------	-------	------	-------------

		99	3, 7	L	02, 06	EX8	DGJ		
		99	3, 7	L	12, 15, 16	EX8	DGJ		



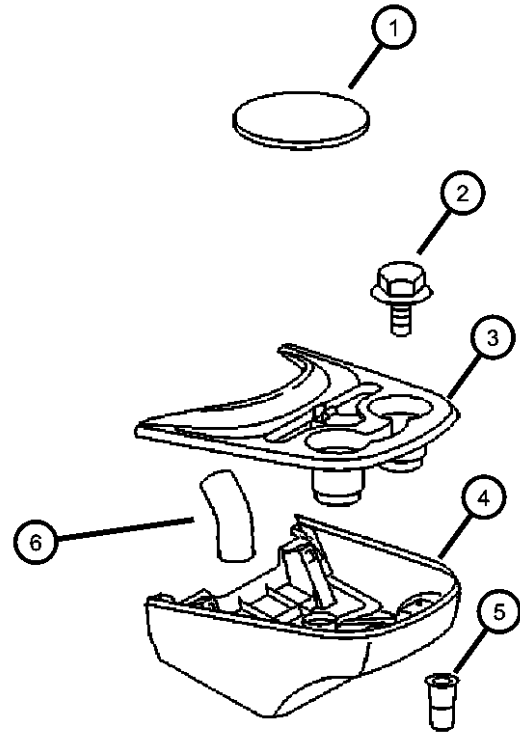
SPRINTER (VA)

SERIES	LINE	BODY	ENGINE	TRANSMISSION
L = LOWLINE	3 = HD DODGE 2WD 8 = HD DODGE 4WD 6 = Lt. Duty DODGE 4WD 2 = Med. Duty DODGE 2WD 7 = Med. Duty DODGE 4WD 4 = TRUCK	12 = Van 140" 51 = Wagon 118" 52 = Wagon 140" 14 = Van 118" 15 = Van 140" 16 = Van 158" 54 = Wagon 118" 55 = Wagon 140" 56 = Wagon 158" 01 = Chassis Forward Control 118" 02 = Chassis Forward Control 140" 06 = Front Section 158" 11 = Van 118"	EX8 = Engine - 2.7L I5 Mercedes-Benz TD	DGJ = Transmission - 5-Spd Auto, MB

AR = use ase required - = Non illustrated part

2005 VA

**Console Cup Holder
Figure 08A-405**



ITEM	PART NUMBER	QTY	LINE	SERIES	BODY	ENGINE	TRANS	TRIM	DESCRIPTION
1									MAT, Single Cup
	05122953AA	2	2, 6	L	01, 02, 06	EX8	DGJ		
		2	2, 6	L	11, 12, 14, 15, 16	EX8	DGJ		
		2	2, 6	L	51, 52, 54, 55, 56	EX8	DGJ		
		2	3, 7	L	02, 06	EX8	DGJ		
		2	3, 7	L	12, 15, 16	EX8	DGJ		
2									SCREW, Hex Flange Head
	06104121AA	4	2, 6	L	01, 02, 06	EX8	DGJ		Lid Lock, Rear
		4	2, 6	L	11, 12, 14, 15, 16	EX8	DGJ		Lid Lock, Rear
		4	2, 6	L	51, 52, 54, 55, 56	EX8	DGJ		Lid Lock, Rear
		4	3, 7	L	02, 06	EX8	DGJ		Lid Lock, Rear
		4	3, 7	L	12, 15, 16	EX8	DGJ		Lid Lock, Rear
3									CUP HOLDER, Lid
	05104254AA	1	2, 6	L	01, 02, 06	EX8	DGJ		
		1	2, 6	L	11, 12, 14, 15, 16	EX8	DGJ		
		1	2, 6	L	51, 52, 54, 55, 56	EX8	DGJ		
		1	3, 7	L	02, 06	EX8	DGJ		
		1	3, 7	L	12, 15, 16	EX8	DGJ		
4									HOUSING, Cup Holder
	05104255AA	1	2, 6	L	01, 02, 06	EX8	DGJ		
		1	2, 6	L	11, 12, 14, 15, 16	EX8	DGJ		
		1	2, 6	L	51, 52, 54, 55, 56	EX8	DGJ		
		1	3, 7	L	02, 06	EX8	DGJ		
		1	3, 7	L	12, 15, 16	EX8	DGJ		
5									NUT, Rivet

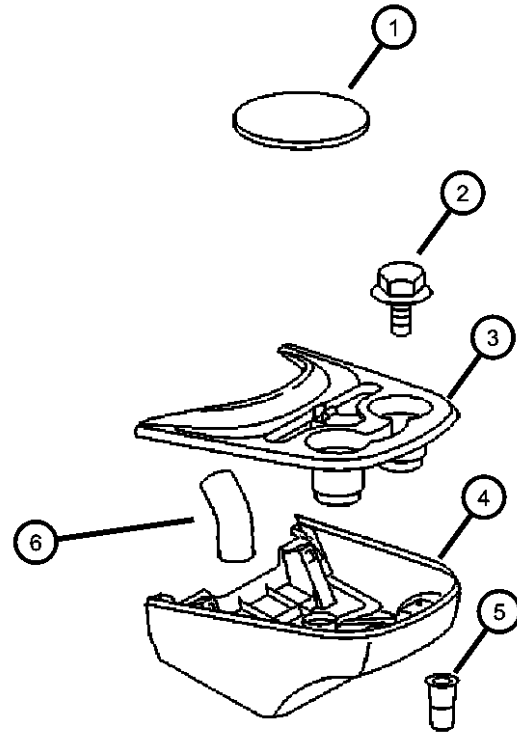
SPRINTER (VA)

SERIES	LINE	BODY	ENGINE	TRANSMISSION
L = LOWLINE	3 = HD DODGE 2WD 8 = HD DODGE 4WD 6 = Lt. Duty DODGE 4WD 2 = Med. Duty DODGE 2WD 7 = Med. Duty DODGE 4WD 4 = TRUCK	12 = Van 140" 51 = Wagon 118" 52 = Wagon 140" 14 = Van 118" 15 = Van 140" 16 = Van 158" 54 = Wagon 118" 55 = Wagon 140" 56 = Wagon 158" 01 = Chassis Forward Control 118" 02 = Chassis Forward Control 140" 06 = Front Section 158" 11 = Van 118"	EX8 = Engine - 2.7L I5 Mercedes-Benz TD	DGJ = Transmission - 5-Spd Auto, MB

AR = use ase required - = Non illustrated part

**Console Cup Holder
Figure 08A-405**

ITEM	PART NUMBER	QTY	LINE	SERIES	BODY	ENGINE	TRANS	TRIM	DESCRIPTION
	05133975AA	4	2, 6	L	01, 02, 06	EX8	DGJ		
		4	2, 6	L	11, 12, 14, 15, 16	EX8	DGJ		
		4	2, 6	L	51, 52, 54, 55, 56	EX8	DGJ		
		4	3, 7	L	02, 06	EX8	DGJ		
		4	3, 7	L	12, 15, 16	EX8	DGJ		
6	05104488AA	1	2, 6	L	01, 02, 06	EX8	DGJ		HOSE
		1	2, 6	L	11, 12, 14, 15, 16	EX8	DGJ		
		1	2, 6	L	51, 52, 54, 55, 56	EX8	DGJ		
		1	3, 7	L	02, 06	EX8	DGJ		
		1	3, 7	L	12, 15, 16	EX8	DGJ		



SPRINTER (VA)

SERIES	LINE	BODY	ENGINE	TRANSMISSION
L = LOWLINE	3 = HD DODGE 2WD 8 = HD DODGE 4WD 6 = Lt. Duty DODGE 4WD 2 = Med. Duty DODGE 2WD 7 = Med. Duty DODGE 4WD 4 = TRUCK	12 = Van 140" 51 = Wagon 118" 52 = Wagon 140" 14 = Van 118" 15 = Van 140" 16 = Van 158" 54 = Wagon 118" 55 = Wagon 140" 56 = Wagon 158" 01 = Chassis Forward Control 118" 02 = Chassis Forward Control 140" 06 = Front Section 158" 11 = Van 118"	EX8 = Engine - 2.7L I5 Mercedes-Benz TD	DGJ = Transmission - 5-Spd Auto, MB

AR = use ase required - = Non illustrated part

Group - 9

Engine Mounting

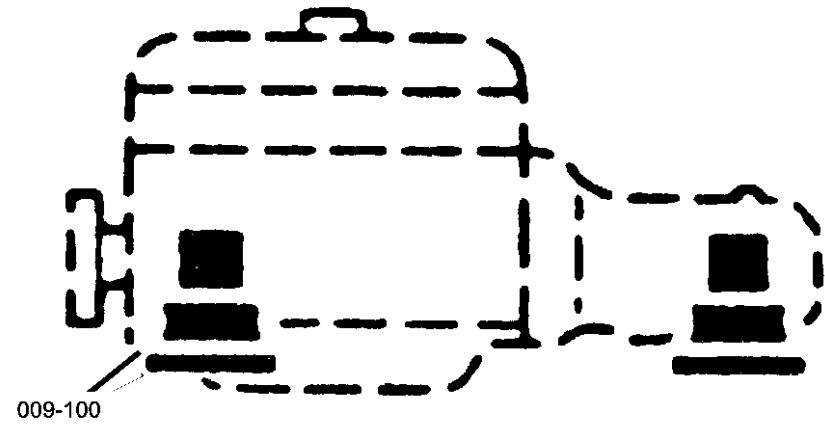
Group - 9 Engine Mounting

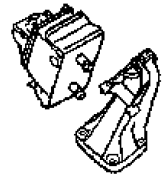
Group-Fig. No.

Illustration Title

Engine Mounting

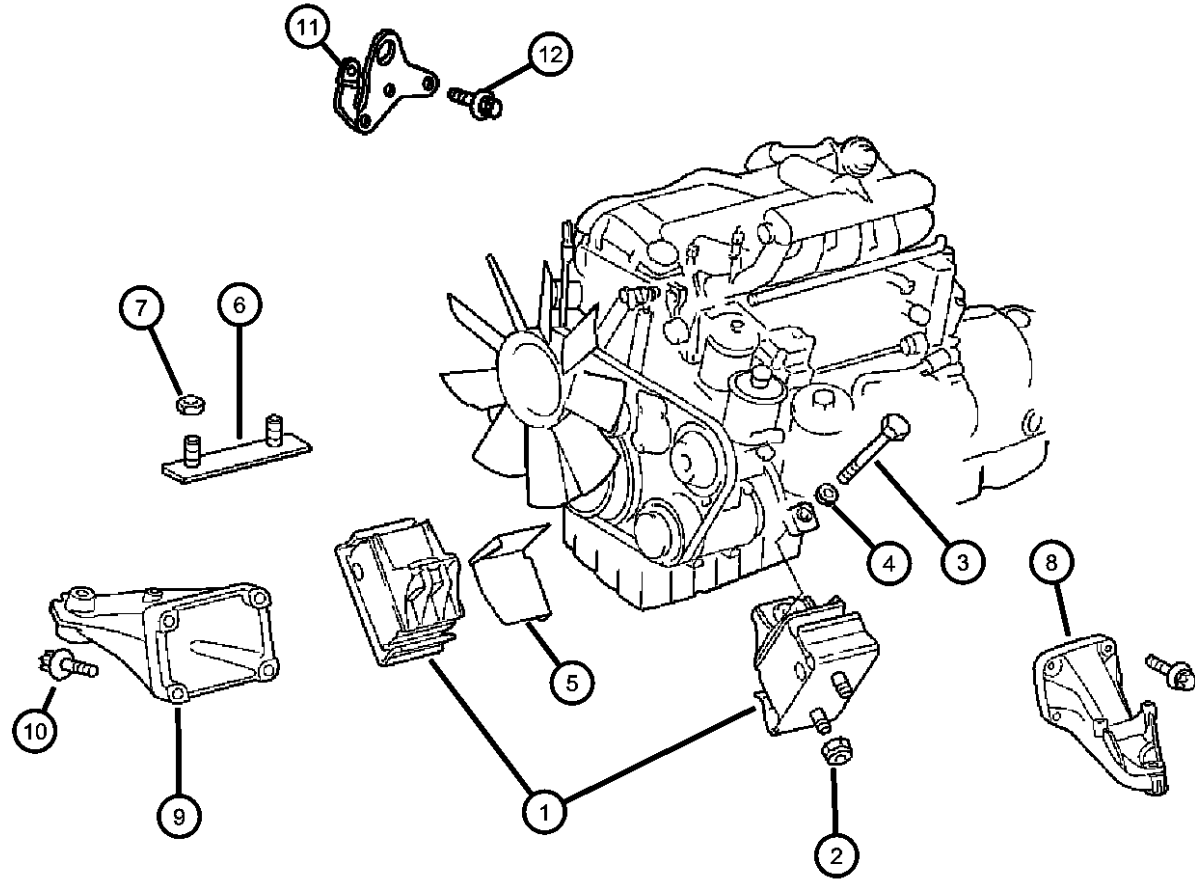
Engine Mounting	Fig. 9 - 110
Transmission Mounting	Fig. 9 - 120



<p>009-100 Engine Mounting</p> 			
---	--	--	--

**Engine Mounting
Figure 9-110**

ITEM	PART NUMBER	QTY	LINE	SERIES	BODY	ENGINE	TRANS	TRIM	DESCRIPTION
Note: Sales Codes: [DGJ] = 5 Speed Automatic Transmission - [W5A380] [EX8]= 2.7L I Five MERCEDES BENZ-TD Engine									
1									RUBBER, RUBBER-MOUNT
	05104035AA	2	2, 6			EX8	DGJ		
		2	3, 7			EX8	DGJ		
2									NUT
	06104717AA	4	2, 6			EX8	DGJ		
		4	3, 7			EX8	DGJ		
3									BOLT
	06104239AA	2	2, 6			EX8	DGJ		
		2	3, 7			EX8	DGJ		
4									WASHER
	05104613AA	1	3, 7			EX8	DGJ		
		1	2, 3, 6, 7			EX8	DGJ		
5									SHIELD, Engine Mount
	05117714AA	1	2, 6			EX8	DGJ		
		1	3, 7			EX8	DGJ		
6									PLATE, Engine Mount
	05117695AA	1	2, 6			EX8	DGJ		
		1	3, 7			EX8	DGJ		
7									NUT, Hex, M6
	05127449AA	2	2, 6			EX8	DGJ		
		2	3, 7			EX8	DGJ		
8									BRACKET, Engine Mount
	05117659AA	1	2, 3, 6, 7			EX8	DGJ		
9									SUPPORT, Engine
	05103988AA	1	2, 3, 6, 7			EX8	DGJ		
10									SCREW
	06104027AA	1	3, 7			EX8	DGJ		
		4	2, 3, 6, 7			EX8	DGJ		



SPRINTER (VA)

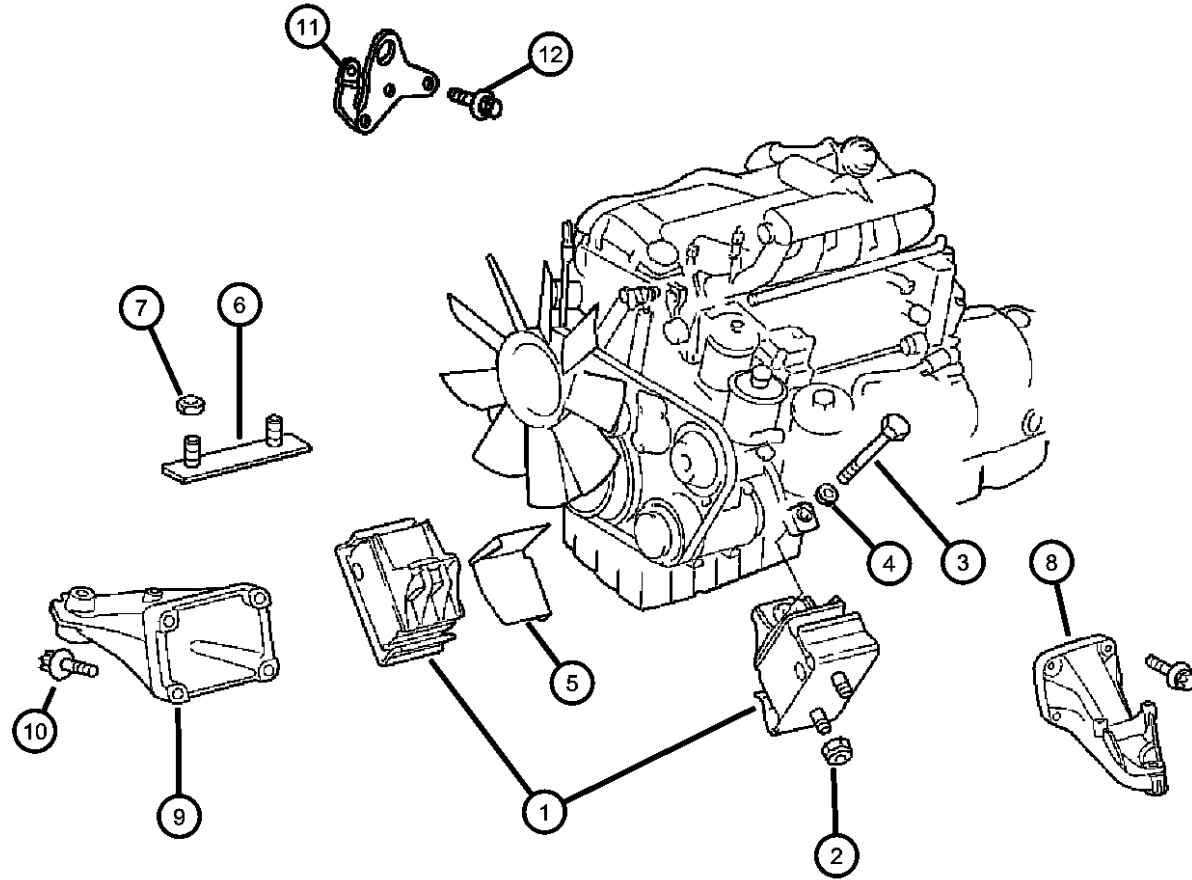
SERIES	LINE	BODY	ENGINE	TRANSMISSION
L = LOWLINE	3 = HD DODGE 2WD 8 = HD DODGE 4WD 6 = Lt. Duty DODGE 4WD 2 = Med. Duty DODGE 2WD 7 = Med. Duty DODGE 4WD 4 = TRUCK	12 = Van 140" 51 = Wagon 118" 52 = Wagon 140" 14 = Van 118" 15 = Van 140" 16 = Van 158" 54 = Wagon 118" 55 = Wagon 140" 56 = Wagon 158" 01 = Chassis Forward Control 118" 02 = Chassis Forward Control 140" 06 = Front Section 158" 11 = Van 118"	EX8 = Engine - 2.7L I5 Mercedes-Benz TD	DGJ = Transmission - 5-Spd Auto, MB

AR = use ase required - = Non illustrated part

2005 VA

**Engine Mounting
Figure 9-110**

ITEM	PART NUMBER	QTY	LINE	SERIES	BODY	ENGINE	TRANS	TRIM	DESCRIPTION
11	05136757AA	1	2, 3, 6, 7			EX8	DGJ		BRACKET, Engine Lift
12	05073723AB	3	2, 3, 6, 7			EX8	DGJ		SCREW

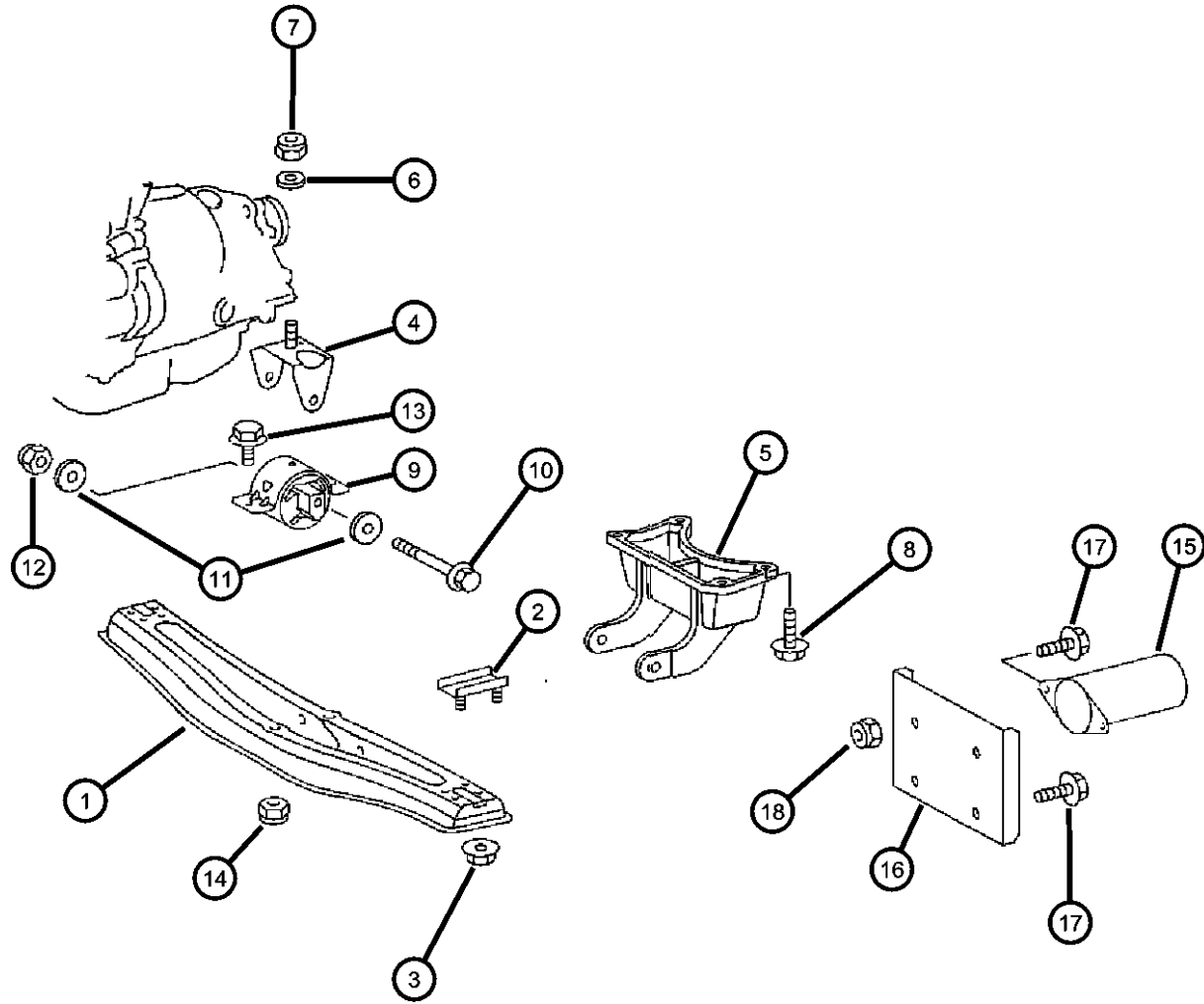


SPRINTER (VA)

SERIES	LINE	BODY	ENGINE	TRANSMISSION
L = LOWLINE	3 = HD DODGE 2WD 8 = HD DODGE 4WD 6 = Lt. Duty DODGE 4WD 2 = Med. Duty DODGE 2WD 7 = Med. Duty DODGE 4WD 4 = TRUCK	12 = Van 140" 51 = Wagon 118" 52 = Wagon 140" 14 = Van 118" 15 = Van 140" 16 = Van 158" 54 = Wagon 118" 55 = Wagon 140" 56 = Wagon 158" 01 = Chassis Forward Control 118" 02 = Chassis Forward Control 140" 06 = Front Section 158" 11 = Van 118"	EX8 = Engine - 2.7L I5 Mercedes-Benz TD	DGJ = Transmission - 5-Spd Auto, MB

AR = use ase required - = Non illustrated part

**Transmission Mounting
Figure 9-120**



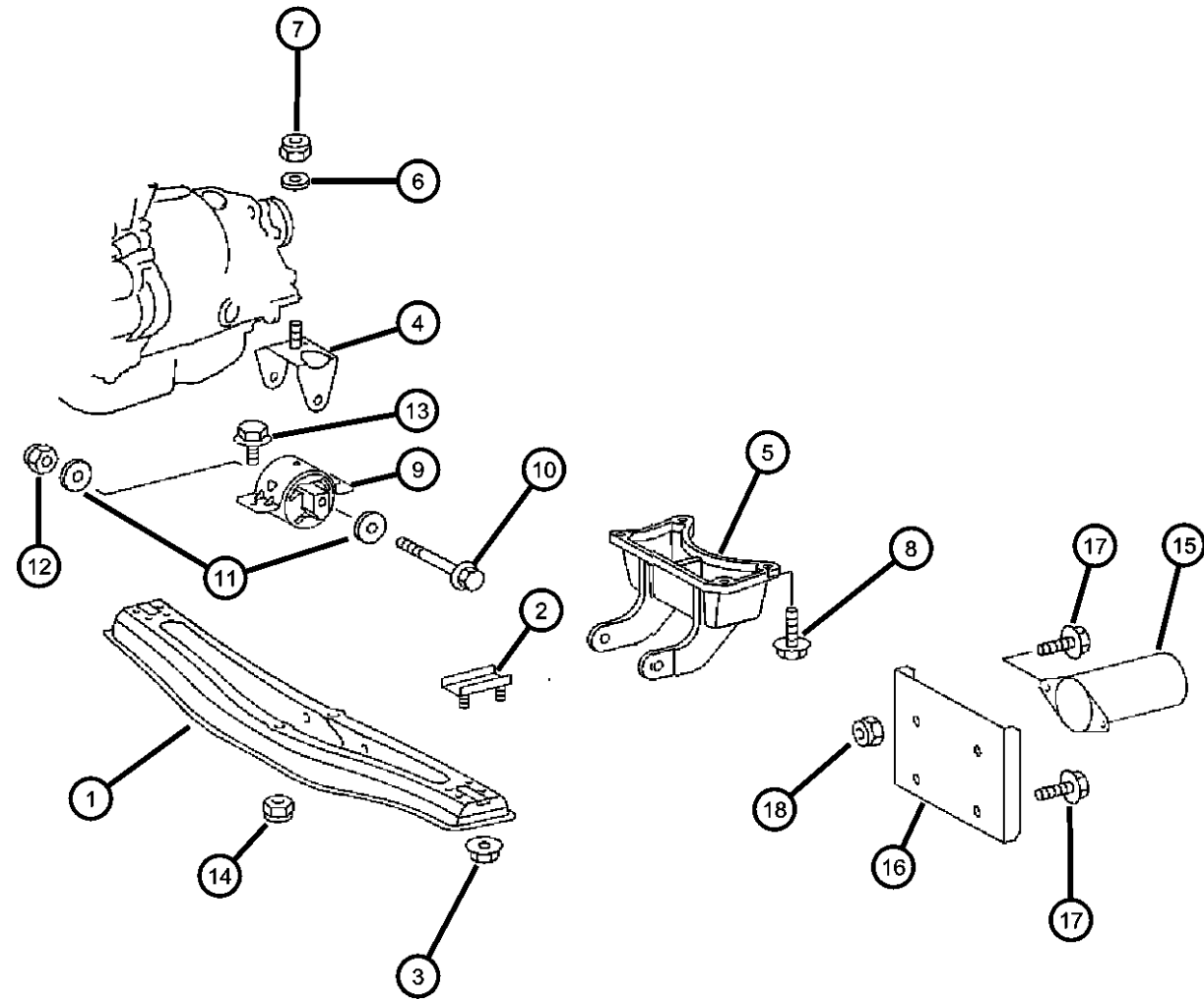
ITEM	PART NUMBER	QTY	LINE	SERIES	BODY	ENGINE	TRANS	TRIM	DESCRIPTION
1	05104036AA	1	2, 6			EX8	DGJ		SUPPORT, Engine
		1	3, 7			EX8	DGJ		
2	05117698AA	1	2, 6			EX8	DGJ		BRACKET, Engine Mount
		1	3, 7			EX8	DGJ		
3	06104717AA	4	2, 6			EX8	DGJ		NUT
		4	3, 7			EX8	DGJ		
4	05117712AA	1	3, 7			EX8	DGJ		BRACKET, Engine Mount
		1	2, 6			EX8	DGJ		
5	05104037AA	1	2, 6			EX8	DGJ		BRACKET, Transmission Mount
		1	3, 7			EX8	DGJ		
6	05132839AA	1	3, 7			EX8	DGJ		WASHER
7	06104718AA	1	2, 6			EX8	DGJ		NUT
		1	3, 7			EX8	DGJ		With[4XS]
		1	3, 7			EX8	DGJ		W/O[4XS]
8	06104198AA	4	2, 6			EX8	DGJ		BOLT, Hex Head
		4	3, 7			EX8	DGJ		
9	05104038AA	1	2, 6			EX8	DGJ		RUBBER, RUBBER-MOUNT
		1	3, 7			EX8	DGJ		

SPRINTER (VA)

SERIES	LINE	BODY	ENGINE	TRANSMISSION
L = LOWLINE	3 = HD DODGE 2WD	12 = Van 140"	EX8 = Engine - 2.7L I5	DGJ = Transmission - 5-Spd Auto, MB
	8 = HD DODGE 4WD	51 = Wagon 118"	Mercedes-Benz TD	
	6 = Lt. Duty DODGE 4WD	52 = Wagon 140"		
	2 = Med. Duty DODGE 2WD	14 = Van 118"		
	7 = Med. Duty DODGE 4WD	15 = Van 140"		
	4 = TRUCK	16 = Van 158"		
		54 = Wagon 118"		
		55 = Wagon 140"		
		56 = Wagon 158"		
		01 = Chassis Forward Control		
		118"		
		02 = Chassis Forward Control		
		140"		
		06 = Front Section 158"		
		11 = Van 118"		

AR = use ase required - = Non illustrated part

**Transmission Mounting
Figure 9-120**



ITEM	PART NUMBER	QTY	LINE	SERIES	BODY	ENGINE	TRANS	TRIM	DESCRIPTION
10	06104229AA	1	2, 6			EX8	DGJ		BOLT
		1	3, 7			EX8	DGJ		
11	05104641AA	2	2, 6			EX8	DGJ		WASHER, Flat
		2	3, 7			EX8	DGJ		
12	06104717AA	1	2, 6			EX8	DGJ		NUT
		1	3, 7			EX8	DGJ		
13	06104215AA	2	2, 6			EX8	DGJ		BOLT, Hex Flange Head, M10x1.50x25
		2	3, 7			EX8	DGJ		
14	06104717AA	2	2, 6			EX8	DGJ		NUT
		2	3, 7			EX8	DGJ		
15	05117716AA	1	2, 6			EX8	DGJ		ISOLATOR, Engine Mount
		1	3, 7			EX8	DGJ		
16	05133781AA	1	2, 6			EX8	DGJ		BRACKET, Engine Roll Dampener
		1	3, 7			EX8	DGJ		
17	06104195AA	2	2, 6			EX8	DGJ		SCREW
		2	3, 7			EX8	DGJ		
18	06104716AA	2	2, 6			EX8	DGJ		NUT
		2	3, 7			EX8	DGJ		

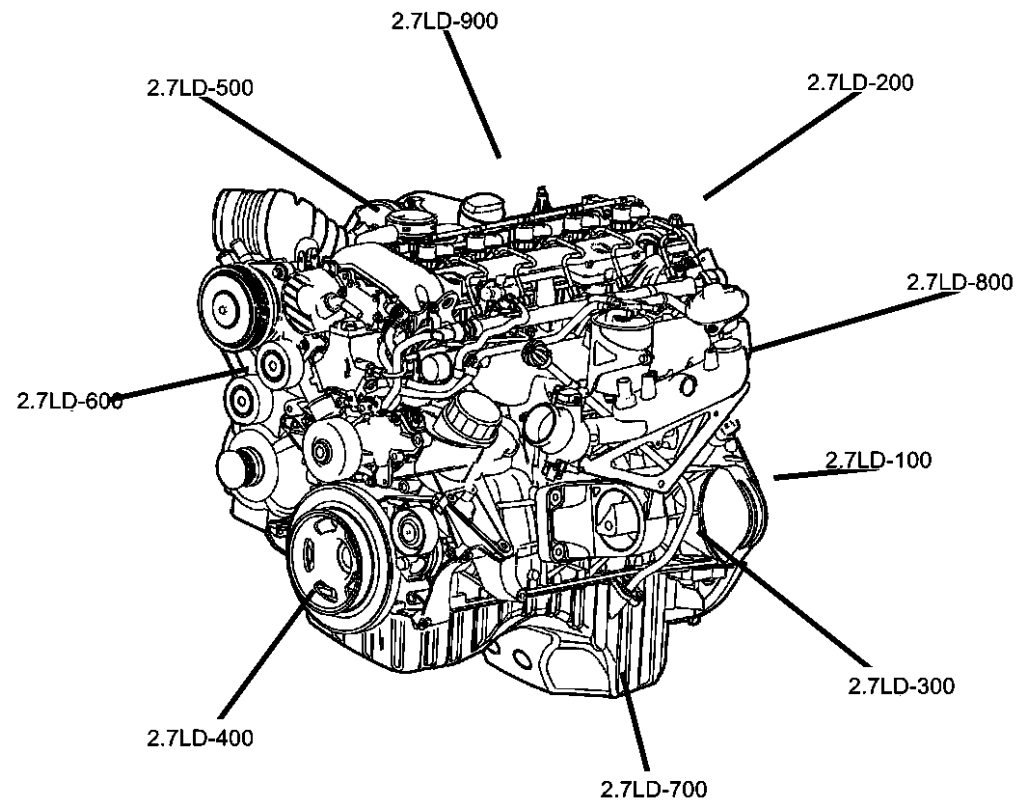
SPRINTER (VA)

SERIES	LINE	BODY	ENGINE	TRANSMISSION
L = LOWLINE	3 = HD DODGE 2WD 8 = HD DODGE 4WD 6 = Lt. Duty DODGE 4WD 2 = Med. Duty DODGE 2WD 7 = Med. Duty DODGE 4WD 4 = TRUCK	12 = Van 140" 51 = Wagon 118" 52 = Wagon 140" 14 = Van 118" 15 = Van 140" 16 = Van 158" 54 = Wagon 118" 55 = Wagon 140" 56 = Wagon 158" 01 = Chassis Forward Control 118" 02 = Chassis Forward Control 140" 06 = Front Section 158" 11 = Van 118"	EX8 = Engine - 2.7L I5 Mercedes-Benz TD	DGJ = Transmission - 5-Spd Auto, MB

AR = use ase required - = Non illustrated part

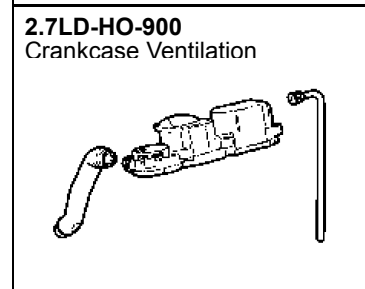
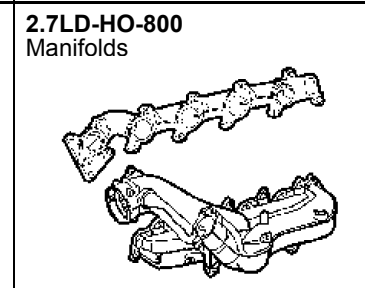
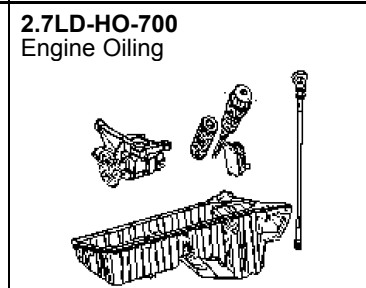
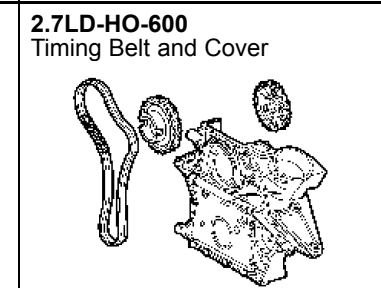
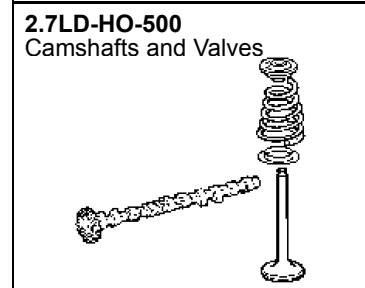
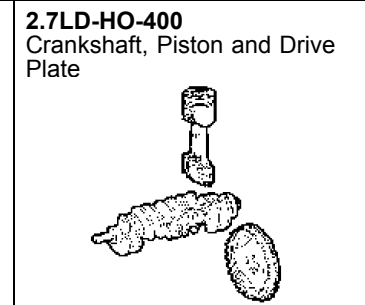
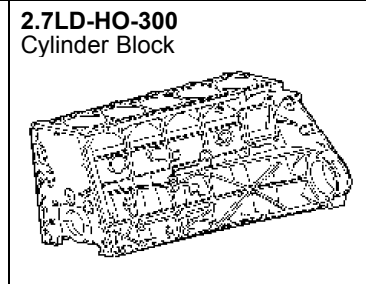
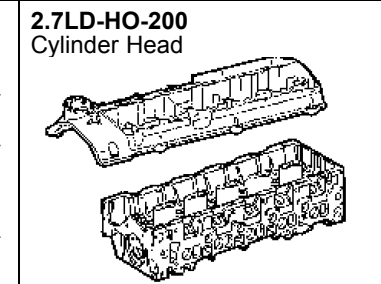
Group - 2.7LD-HO

2.7L Diesel - Mercedes Benz [EX8]



2.7LD-HO-100
Engine Identification

X Model Year	X Manufacturing Plant	XXXXX Component Code/Usage	XXXX Month/Day	XXXXXXXXXX Serial Code
Last digit of model year	S Setilo S T Trenton T K Tokoo K	Engine 3.3L - 3.8L Usage Pass Car PC Truck T		Last 8 Digits of VIN



Group - 2.7LD-HO 2.7L Diesel - Mercedes Benz [EX8]

Illustration Title	Group-Fig. No.
Engine Identification	
Engine Assemblies.....	Fig. 2.7LD-HO - 110
Cylinder Head	
Cylinder Head	Fig. 2.7LD-HO - 210
Cylinder Head Cover.....	Fig. 2.7LD-HO - 220
Cylinder Block	
Cylinder Block and Related Parts.....	Fig. 2.7LD-HO - 310
Crankshaft, Piston and Drive Plate	
Crankshaft and Pistons.....	Fig. 2.7LD-HO - 410
Camshafts and Valves	
Camshaft and Valves	Fig. 2.7LD-HO - 510
Timing Belt and Cover	
Timing Cover and Chain.....	Fig. 2.7LD-HO - 610
Vaccum Pump	Fig. 2.7LD-HO - 620
Engine Oiling	
Oil Pump	Fig. 2.7LD-HO - 710
Oil Cooler and Filter.....	Fig. 2.7LD-HO - 720
Oil Pan	Fig. 2.7LD-HO - 730
Turbo, Oil Feed and Return Lines	Fig. 2.7LD-HO - 740
Manifolds	
Intake Manifold	Fig. 2.7LD-HO - 810
Exhaust Manifold.....	Fig. 2.7LD-HO - 820
Crankcase Ventilation	
Crankcase Ventilation.....	Fig. 2.7LD-HO - 910

Engine Assemblies
Figure 2.7LD-HO-110

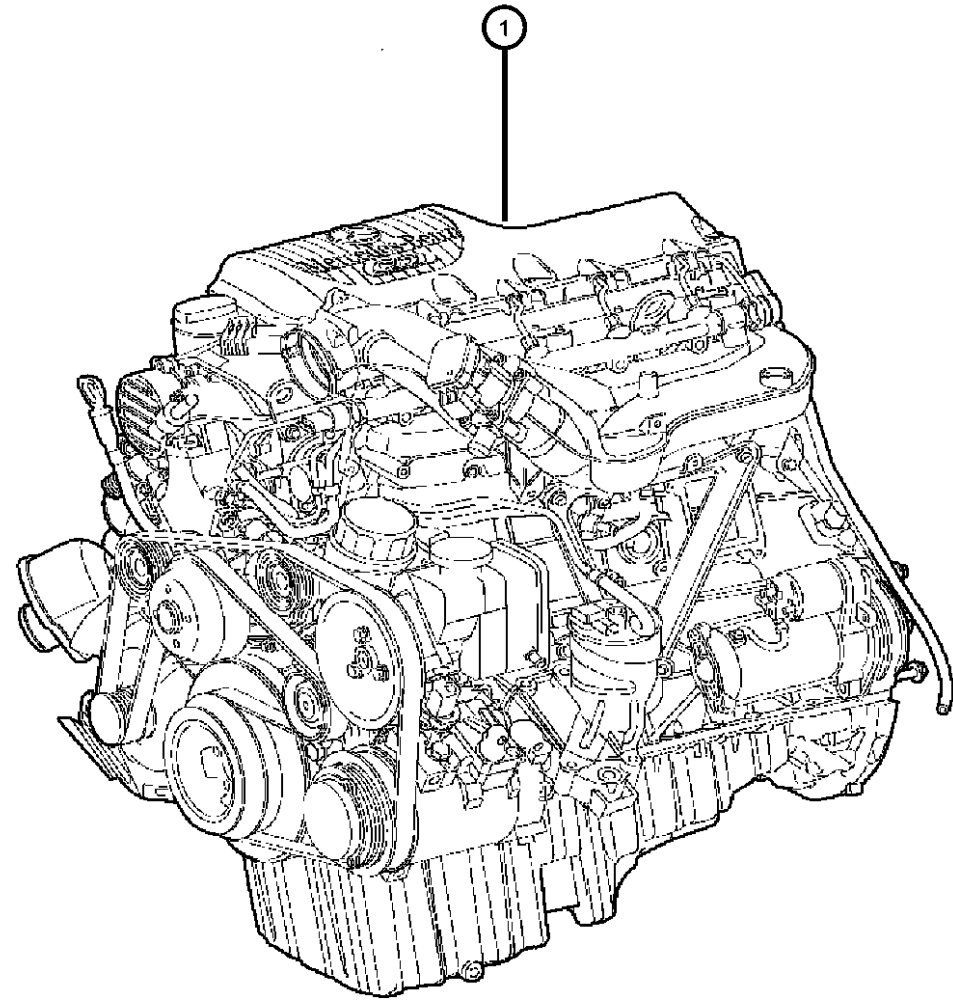
ITEM	PART NUMBER	QTY	LINE	SERIES	BODY	ENGINE	TRANS	TRIM	DESCRIPTION
------	-------------	-----	------	--------	------	--------	-------	------	-------------

Notes:

Sales Codes:

[EX8] = 2.7L Inline 5 Cylinder High Output Turbo Diesel Engine- [OM647]

1	05117145AA	1	2, 3, 6, 7			EX8	DGJ		ENGINE, Complete, Diesel
	04798231AD								Mopar 15W-40 Engine Oil Quart
	04798232AD								Mopar 15W-40 Engine Oil Gallon



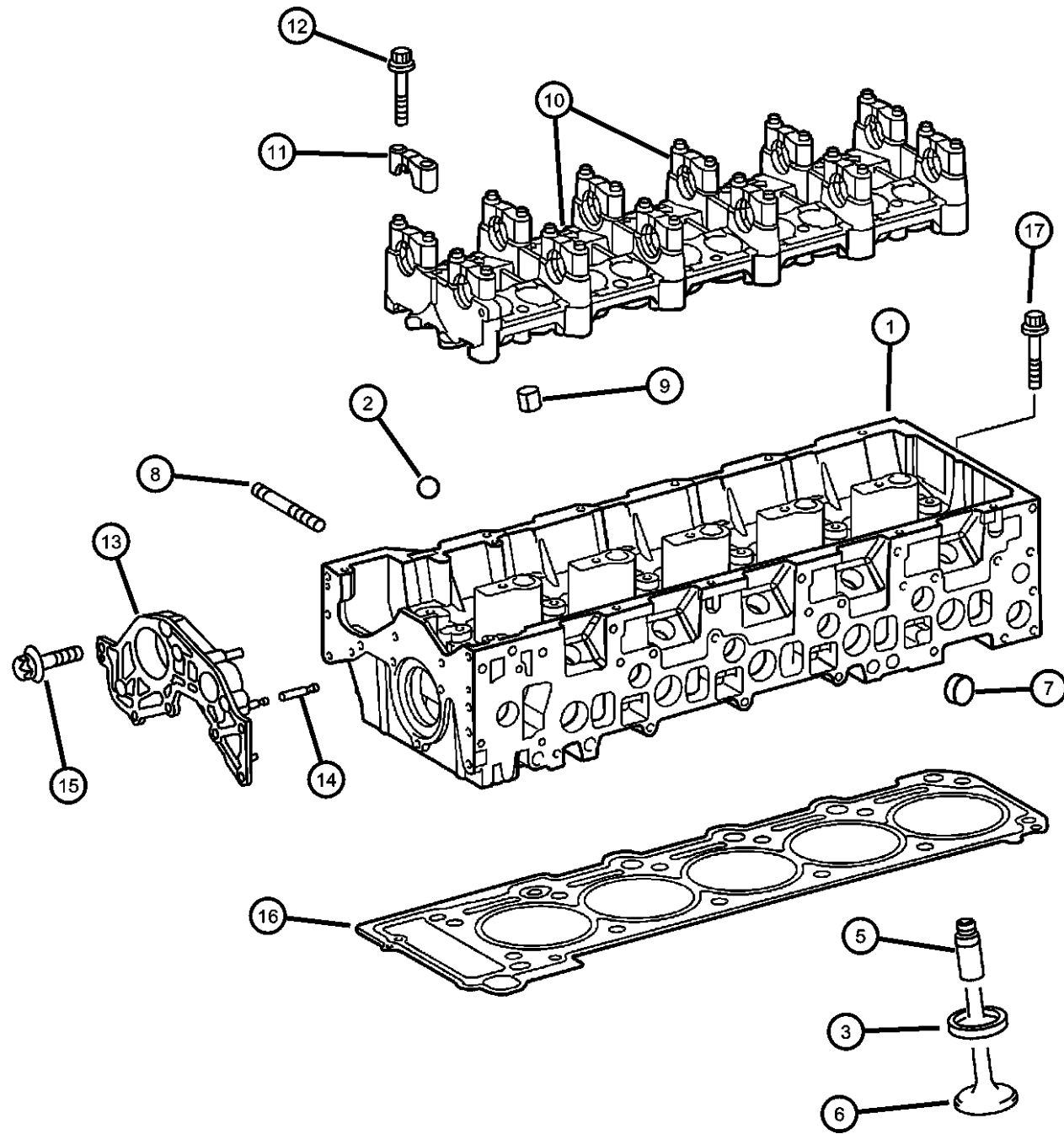
SPRINTER (VA)

SERIES	LINE	BODY	ENGINE	TRANSMISSION
L = LOWLINE	3 = HD DODGE 2WD 8 = HD DODGE 4WD 6 = Lt. Duty DODGE 4WD 2 = Med. Duty DODGE 2WD 7 = Med. Duty DODGE 4WD 4 = TRUCK	12 = Van 140" 51 = Wagon 118" 52 = Wagon 140" 14 = Van 118" 15 = Van 140" 16 = Van 158" 54 = Wagon 118" 55 = Wagon 140" 56 = Wagon 158" 01 = Chassis Forward Control 118" 02 = Chassis Forward Control 140" 06 = Front Section 158" 11 = Van 118"	EX8 = Engine - 2.7L I5 Mercedes-Benz TD	DGJ = Transmission - 5-Spd Auto, MB

AR = use ase required - = Non illustrated part

2005 VA

Cylinder Head
Figure 2.7LD-HO-210



ITEM	PART NUMBER	QTY	LINE	SERIES	BODY	ENGINE	TRANS	TRIM	DESCRIPTION
------	-------------	-----	------	--------	------	--------	-------	------	-------------

NOTE:

Sales Codes:

[EX8] = 2.7L Inline 5 Cylinder High Output Turbo Diesel Engine - [OM647]

1	05136759AA	1	2, 3, 6, 7			EX8	DGJ		HEAD, Cylinder
2	05080045AA	5	2, 3, 6, 7			EX8	DGJ		BALL
3									SEAT, Intake Valve
	05117409AA	10	2, 3, 6, 7			EX8	DGJ		[29.47mm]
	05135830AA	10	2, 3, 6, 7			EX8	DGJ		[31.22mm]
-4									SEAT, Exhaust Valve
	05117410AA	10	2, 3, 6, 7			EX8	DGJ		27.67mm]
	05135831AA	10	2, 3, 6, 7			EX8	DGJ		[30.12mm]
5	05080044AB	20	2, 3, 6, 7			EX8	DGJ		GUIDE, Intake/Exhaust Valve, Standard Size, Valve
6	05080044AB	20							VALVE, See Camshaft Illustration, (NOT SERVICED)
7	05133514AA	1	3, 7			EX8	DGJ		PLUG, Expansion
8	05080027AA	11	2, 3, 6, 7			EX8	DGJ		STUD
9	05073868AA	2	2, 3, 6, 7			EX8	DGJ		SLEEVE
10	05080072AA	1	2, 3, 6, 7			EX8	DGJ		HOUSING, Camshaft Bearing, With Covers
11	05080072AA	1							COVER, Serviced with Housing, (NOT SERVICED)
12	05073921AA	24	2, 3, 6, 7			EX8	DGJ		SCREW
13	05117223AA	1	2, 3, 6, 7			EX8	DGJ		RETAINER, Crankshaft Rear Oil Seal
14	05080080AA	1	2, 3, 6, 7			EX8	DGJ		PIN
15	05073701AA	6	2, 3, 6, 7			EX8	DGJ		SCREW
16	05134783AA	1	2, 3, 6, 7			EX8	DGJ		GASKET, Cylinder Head
17	05073703AA	12	2, 3, 6, 7			EX8	DGJ		BOLT, Cylinder Head

SPRINTER (VA)

SERIES

L = LOWLINE

LINE

3 = HD DODGE 2WD
8 = HD DODGE 4WD
6 = Lt. Duty DODGE 4WD
2 = Med. Duty DODGE 2WD
7 = Med. Duty DODGE 4WD
4 = TRUCK

BODY

12 = Van 140"
51 = Wagon 118"
52 = Wagon 140"
14 = Van 118"
15 = Van 140"
16 = Van 158"
54 = Wagon 118"
55 = Wagon 140"
56 = Wagon 158"
01 = Chassis Forward Control
118"
02 = Chassis Forward Control
140"
06 = Front Section 158"
11 = Van 118"

ENGINE

EX8 = Engine - 2.7L I5
Mercedes-Benz TD

TRANSMISSION

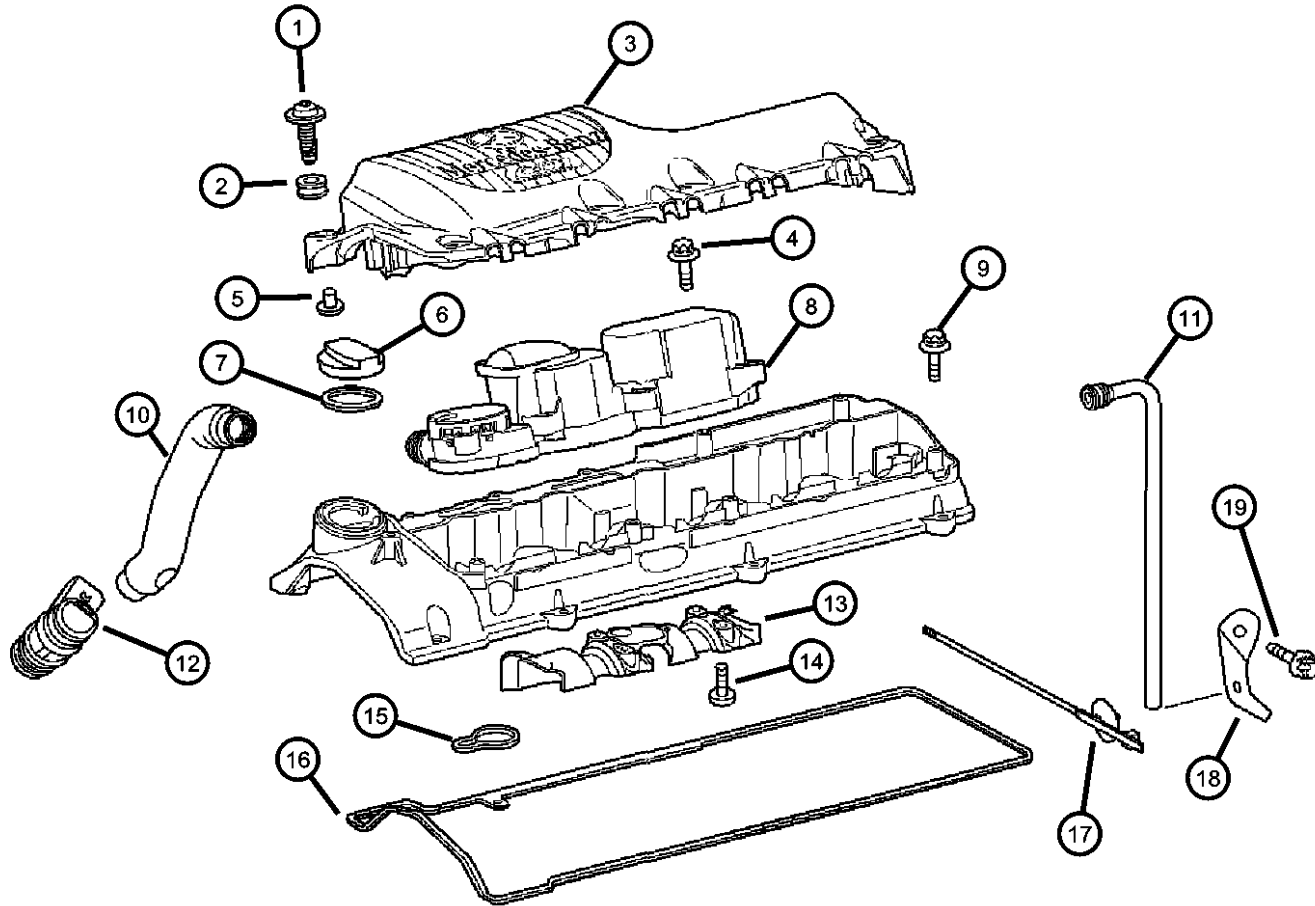
DGJ = Transmission - 5-Spd Auto, MB

AR = use ase required - = Non illustrated part

2005 VA

**Cylinder Head Cover
Figure 2.7LD-HO-220**

ITEM	PART NUMBER	QTY	LINE	SERIES	BODY	ENGINE	TRANS	TRIM	DESCRIPTION
NOTE: Sales Codes: [EX8] = 2.7L Inline 5 Cylinder High Output Turbo Diesel Engine - [OM647]									
1	05103968AA	7	2, 3, 6, 7			EX8	DGJ		SCREW
2	05125944AA	4	2, 3, 6, 7			EX8	DGJ		GROMMET
3	05117287AA	1	2, 3, 6, 7			EX8	DGJ		COVER, Engine
4	06104684AA	7	2, 3, 6, 7			EX8	DGJ		SCREW
5	05125840AA	7	2, 3, 6, 7			EX8	DGJ		SLEEVE
6	05080172AA	1	2, 3, 6, 7			EX8	DGJ		CAP, Oil Filler
7	05080088AA	1	2, 3, 6, 7			EX8	DGJ		GASKET, Oil Filler Cap
8	05137030AA	1	2, 3, 6, 7			EX8	DGJ		SEPERATOR, Oil
9	05117166AA	1	2, 3, 6, 7			EX8	DGJ		COVER, Cylinder Head
10	06104008AA	8	2, 3, 6, 7			EX8	DGJ		SCREW
11	05117234AA	1	2, 3, 6, 7			EX8	DGJ		HOSE, Air Induction
12	05117291AA	1	2, 3, 6, 7			EX8	DGJ		HOSE
13	05117289AA	1	2, 3, 6, 7			EX8	DGJ		TUBE, Crankcase Vent Valve
14	05080168AA	1	2, 3, 6, 7			EX8	DGJ		PLATE
15	05073705AA	2	2, 3, 6, 7			EX8	DGJ		SCREW
16	05080083AA	5	2, 3, 6, 7			EX8	DGJ		GASKETInjector
17	05117284AA	1	2, 3, 6, 7			EX8	DGJ		GASKETRocker Arm Cover
18	05126078AA	99	2, 3, 6, 7			EX8	DGJ		TIE STRAP, Push In
19	05080302AB	5	2, 3, 6, 7			EX8	DGJ		RETAINER, Fuel Injector
20	05073824AA	2	2, 3, 6, 7			EX8	DGJ		SCREW



SPRINTER (VA)

SERIES	LINE	BODY	ENGINE	TRANSMISSION
L = LOWLINE	3 = HD DODGE 2WD 8 = HD DODGE 4WD 6 = Lt. Duty DODGE 4WD 2 = Med. Duty DODGE 2WD 7 = Med. Duty DODGE 4WD 4 = TRUCK	12 = Van 140" 51 = Wagon 118" 52 = Wagon 140" 14 = Van 118" 15 = Van 140" 16 = Van 158" 54 = Wagon 118" 55 = Wagon 140" 56 = Wagon 158" 01 = Chassis Forward Control 118" 02 = Chassis Forward Control 140" 06 = Front Section 158" 11 = Van 118"	EX8 = Engine - 2.7L I5 Mercedes-Benz TD	DGJ = Transmission - 5-Spd Auto, MB

AR = use ase required - = Non illustrated part

**Cylinder Block and Related Parts
Figure 2.7LD-HO-310**

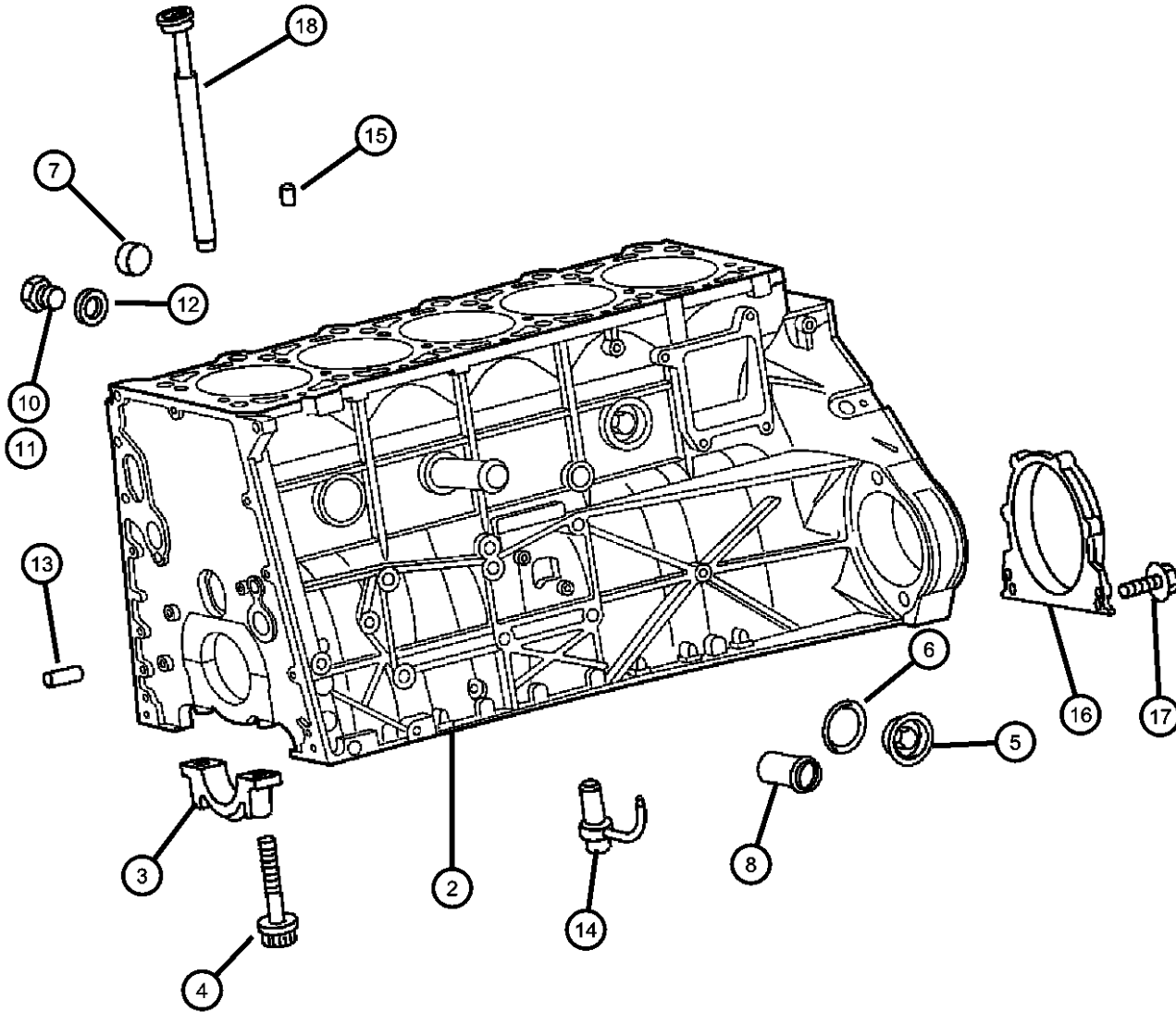
ITEM	PART NUMBER	QTY	LINE	SERIES	BODY	ENGINE	TRANS	TRIM	DESCRIPTION
------	-------------	-----	------	--------	------	--------	-------	------	-------------

NOTE:

Sales Codes:

[EX8] = 2.7L Inline 5 Cylinder High Output Turbo Diesel Engine - [OM647]

-1	05103994AA	1	2, 3, 6, 7			EX8	DGJ		GASKET KIT, Engine, Lower
2	05073918AB	1	2, 3, 6, 7			EX8	DGJ		BLOCK, Cylinder
	04798231AD								Mopar 15W-40 Engine Oil Quart
	04798232AD								Mopar 15W-40 Engine Oil Gallon
3	05073918AB	1							CAP, Main, Serviced With # 1, (NOT SERVICED)
4	05073918AB	1							BOLT, Main Bearing Cap, Serviced With # 1, (NOT SERVICED)
5	05073837AA	2	2, 3, 6, 7			EX8	DGJ		PLUG, Screw, Cylinder Block
6	05073850AA	2	2, 3, 6, 7			EX8	DGJ		O RING
7	05073860AA	3	2, 3, 6, 7			EX8	DGJ		PLUG, Expansion
8	05073861AA	1	2, 3, 6, 7			EX8	DGJ		CONNECTOR
-9	05073864AA	1	2, 3, 6, 7			EX8	DGJ		BALL
10	06104463AA	1	2, 3, 6, 7			EX8	DGJ		PLUG
11	05073890AA	1	2, 3, 6, 7			EX8	DGJ		PLUG
12	05073891AA	1	2, 3, 6, 7			EX8	DGJ		O RING
13	05073869AA	2	2, 3, 6, 7			EX8	DGJ		DOWEL
14	05073895AA	5	2, 3, 6, 7			EX8	DGJ		JET, Piston Oil Cooler
15	05073868AA	2	2, 3, 6, 7			EX8	DGJ		SLEEVE
16	05073887AB	1	2, 3, 6, 7			EX8	DGJ		COVER
17	06104006AA	6	2, 3, 6, 7			EX8	DGJ		BOLT
18	05073894AA	1	2, 3, 6, 7			EX8	DGJ		PIPE, Oil Return
-19	05135855AA	1							HEATER, Engine Block



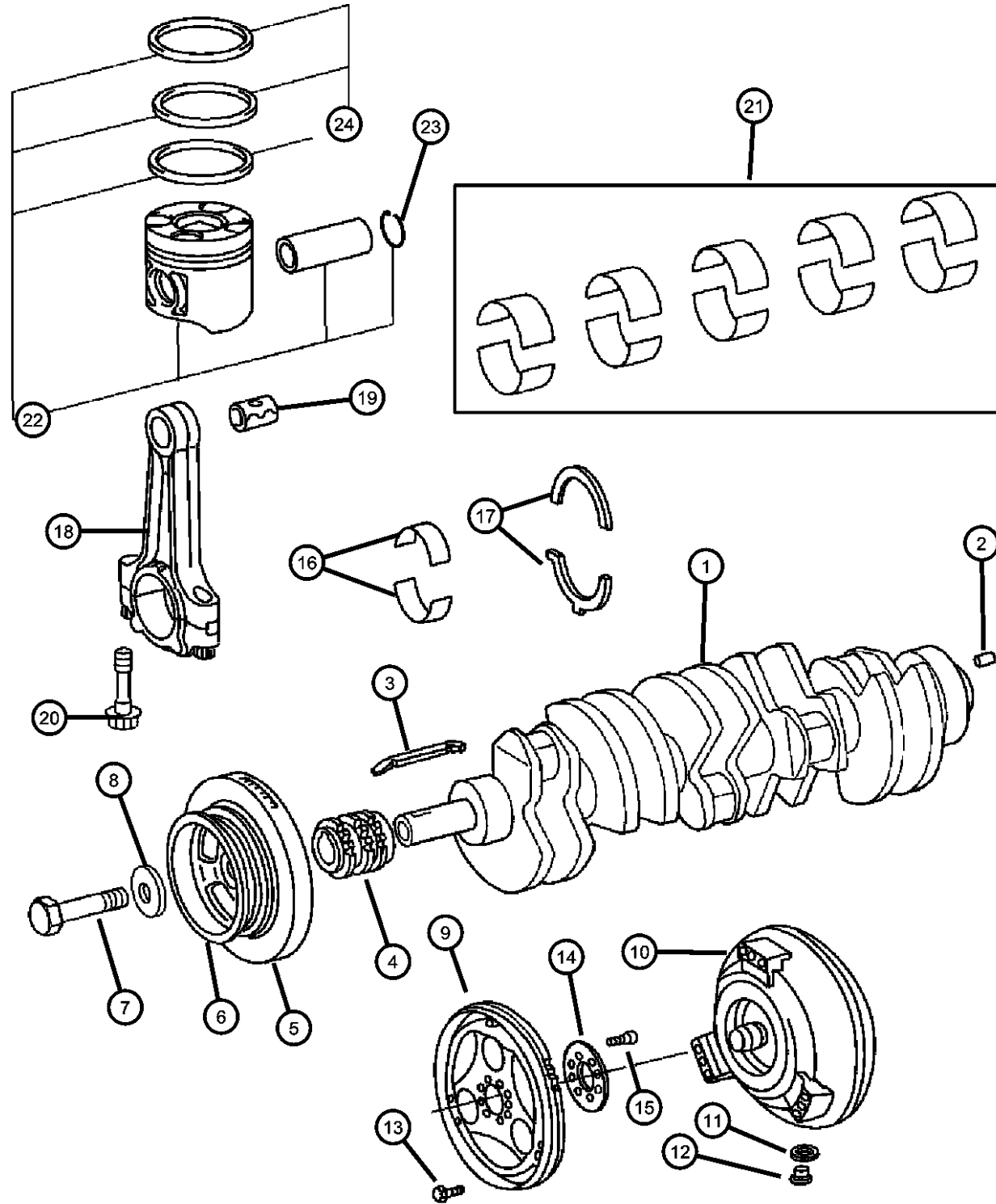
SPRINTER (VA)

SERIES	LINE	BODY	ENGINE	TRANSMISSION
L = LOWLINE	3 = HD DODGE 2WD 8 = HD DODGE 4WD 6 = Lt. Duty DODGE 4WD 2 = Med. Duty DODGE 2WD 7 = Med. Duty DODGE 4WD 4 = TRUCK	12 = Van 140" 51 = Wagon 118" 52 = Wagon 140" 14 = Van 118" 15 = Van 140" 16 = Van 158" 54 = Wagon 118" 55 = Wagon 140" 56 = Wagon 158" 01 = Chassis Forward Control 118" 02 = Chassis Forward Control 140" 06 = Front Section 158" 11 = Van 118"	EX8 = Engine - 2.7L I5 Mercedes-Benz TD	DGJ = Transmission - 5-Spd Auto, MB

AR = use ase required - = Non illustrated part

2005 VA

**Crankshaft and Pistons
Figure 2.7LD-HO-410**



ITEM	PART NUMBER	QTY	LINE	SERIES	BODY	ENGINE	TRANS	TRIM	DESCRIPTION
NOTE: Sales Codes: [EX8] = 2.7L Inline 5 Cylinder High Output Turbo Diesel Engine - [OM647]									
1	05080012AA	1	2, 3, 6, 7			EX8	DGJ		CRANKSHAFT, Engine, See [TSB 09-003-06]
2	05080024AA	1	2, 3, 6, 7			EX8	DGJ		DOWEL
3	05073998AA	1	2, 3, 6, 7			EX8	DGJ		KEY, Woodruff
4	05117378AA	1	2, 3, 6, 7			EX8	DGJ		GEAR, Crankshaft
5	05103972AA	1	2, 3, 6, 7			EX8	DGJ		DAMPER, Crankshaft
6	05103998AB	1				EX8			PULLEY, Crankshaft, With Auxiliary Drive Belt
7	05073696AA	1	2, 3, 6, 7			EX8	DGJ		SCREW
8	05080005AA	1	2, 3, 6, 7			EX8	DGJ		WASHER
9	05137274AA	1				EX8			FLEX PLATE
10	05104567AA	1	2, 3, 6, 7			EX8	DGJ		CONVERTER, Torque
11	05080014AA	1	2, 3, 6, 7			EX8	DGJ		O RING
12	05080398AA	1	2, 3, 6, 7			EX8	DGJ		PLUG
13									SCREW
	06507095AA	6	2, 6			EX8	DGJ		
		6	3, 7			EX8	DGJ		
14	05080066AA	1				EX8	DGJ		WASHER
15	05103968AA	7	2, 3, 6, 7			EX8	DGJ		SCREW
16									BEARING, Crankshaft
	05073953AB	AR	2, 3, 6, 7			EX8	DGJ		Color [White] - See [TSB 09-003-06] Main Bearing Cap Only
	05102127AA	AR							Color [Blue] - See [TSB 09-003-06]
	05102128AA	AR							Color [Yellow] - See [TSB 09-003-06]
	05102129AA	AR							Color [Red] - See [TSB 09-003-06]

SPRINTER (VA)

SERIES

L = LOWLINE

LINE

3 = HD DODGE 2WD
8 = HD DODGE 4WD
6 = Lt. Duty DODGE 4WD
2 = Med. Duty DODGE 2WD
7 = Med. Duty DODGE 4WD
4 = TRUCK

BODY

12 = Van 140"
51 = Wagon 118"
52 = Wagon 140"
14 = Van 118"
15 = Van 140"
16 = Van 158"
54 = Wagon 118"
55 = Wagon 140"
56 = Wagon 158"
01 = Chassis Forward Control 118"
02 = Chassis Forward Control 140"
06 = Front Section 158"
11 = Van 118"

ENGINE

EX8 = Engine - 2.7L I5 Mercedes-Benz TD

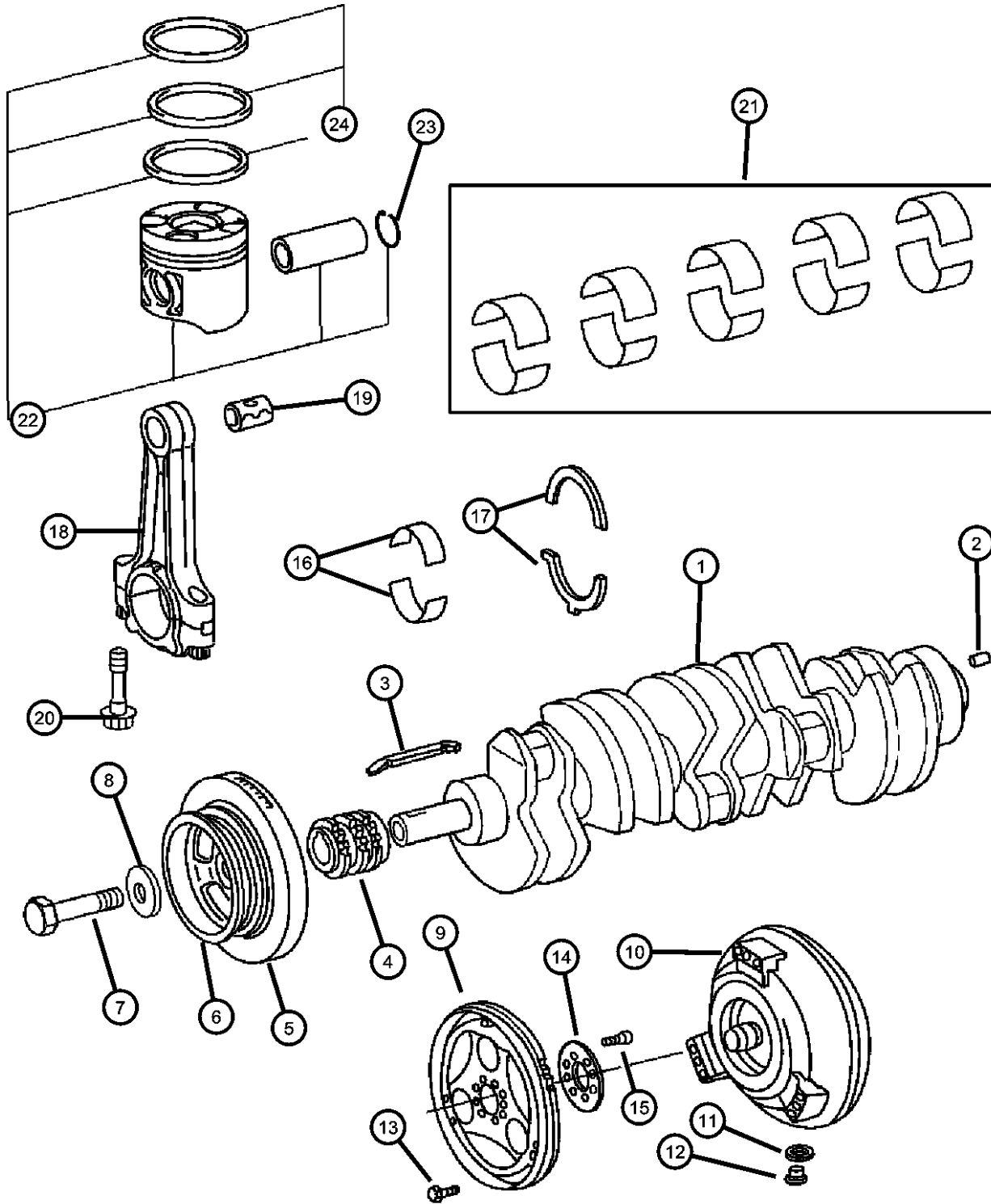
TRANSMISSION

DGJ = Transmission - 5-Spd Auto, MB

AR = use ase required - = Non illustrated part

2005 VA

**Crankshaft and Pistons
Figure 2.7LD-HO-410**



ITEM	PART NUMBER	QTY	LINE	SERIES	BODY	ENGINE	TRANS	TRIM	DESCRIPTION
	05179498AA	AR	2, 3, 6, 7			EX8	DGJ		Color [Violet] - See [TSB 09-003-06] Main Bearing Cap Only
17	05086295AA	2	2, 3, 6, 7			EX8	DGJ		BEARING, Crankshaft
18	05117318AA	5	2, 3, 6, 7			EX8	DGJ		ROD, Connecting
19	05117367AA	5	2, 3, 6, 7			EX8	DGJ		BUSHING, Connecting Rod
20	05073698AA	10	2, 3, 6, 7			EX8	DGJ		BOLT, Connecting Rod
21	05086153AA	1	2, 3, 6, 7			EX8	DGJ		BEARING, Connecting Rod, STD.
22	05117317AB	5				EX8			PISTON
23	05080034AA	10	2, 3, 6, 7			EX8	DGJ		RING, Piston Pin
24	05138004AA	5	2, 3, 6, 7			EX8	DGJ		RING KIT, Piston

SPRINTER (VA)

SERIES

L = LOWLINE

LINE

3 = HD DODGE 2WD
 8 = HD DODGE 4WD
 6 = Lt. Duty DODGE 4WD
 2 = Med. Duty DODGE 2WD
 7 = Med. Duty DODGE 4WD
 4 = TRUCK

BODY

12 = Van 140"
 51 = Wagon 118"
 52 = Wagon 140"
 14 = Van 118"
 15 = Van 140"
 16 = Van 158"
 54 = Wagon 118"
 55 = Wagon 140"
 56 = Wagon 158"
 01 = Chassis Forward Control 118"
 02 = Chassis Forward Control 140"
 06 = Front Section 158"
 11 = Van 118"

ENGINE

EX8 = Engine - 2.7L I5 Mercedes-Benz TD

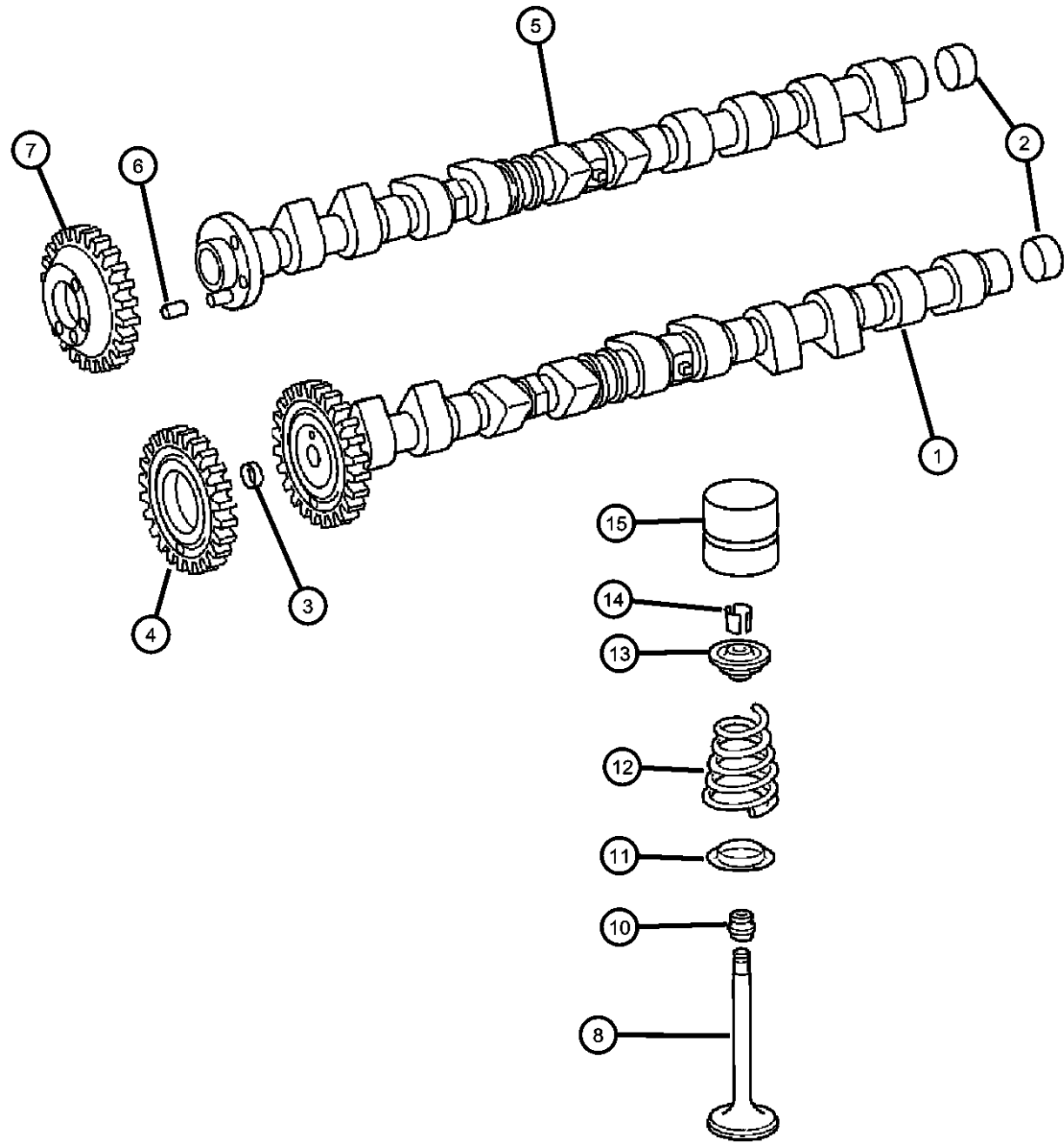
TRANSMISSION

DGJ = Transmission - 5-Spd Auto, MB

AR = use ase required - = Non illustrated part

2005 VA

Camshaft and Valves
Figure 2.7LD-HO-510



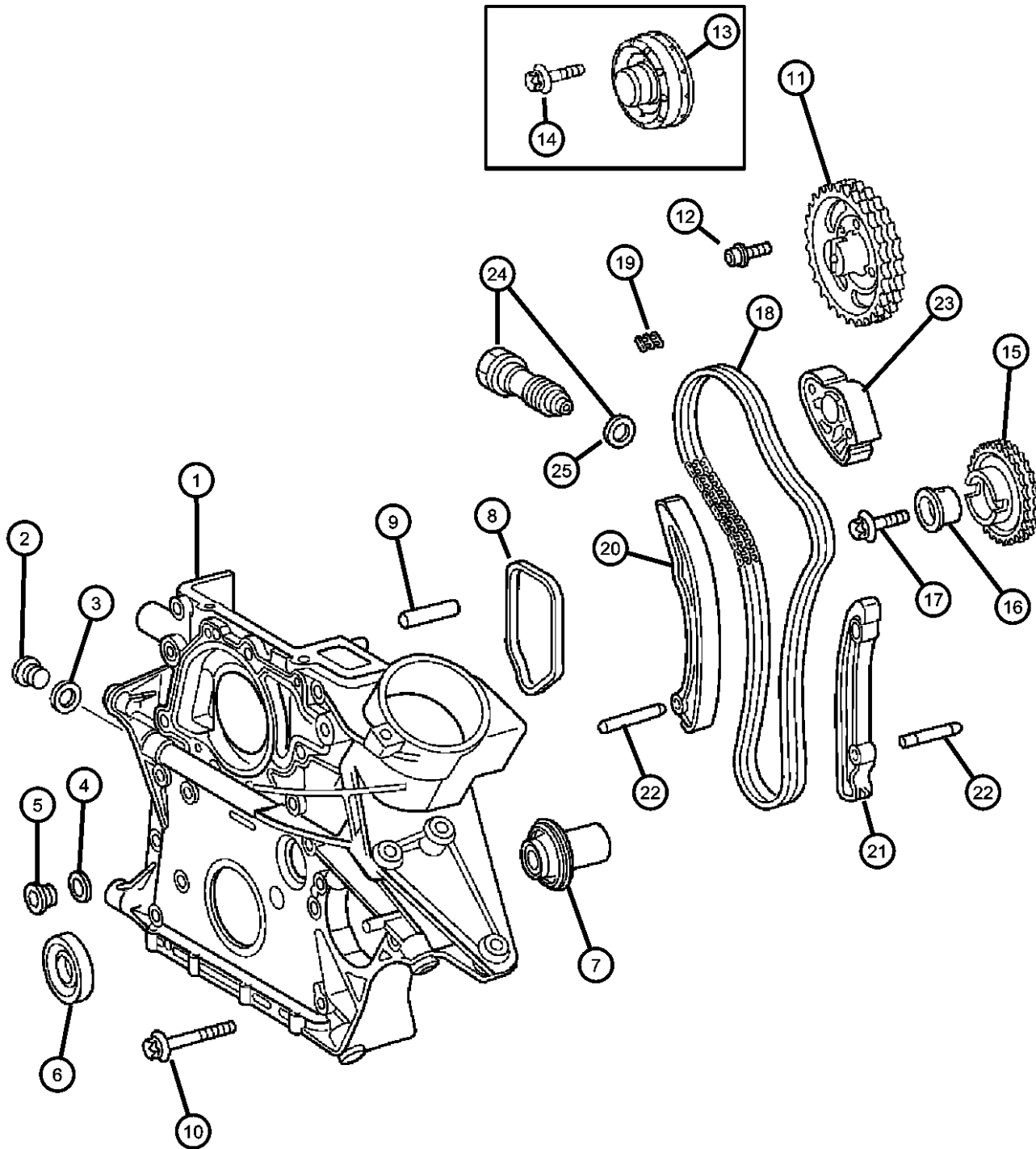
ITEM	PART NUMBER	QTY	LINE	SERIES	BODY	ENGINE	TRANS	TRIM	DESCRIPTION
1	05117371AA	1	2, 3, 6, 7			EX8	DGJ		CAMSHAFT Intake
2	05080071AA	1	2, 3, 6, 7			EX8	DGJ		PLUG, Expansion Exhaust
3	05080188AA	1	2, 3, 6, 7			EX8	DGJ		PLUG, Expansion Intake
4	05080110AA	1	2, 3, 6, 7			EX8	DGJ		GEAR, Camshaft Intake
5	05080095AA	1	2, 3, 6, 7			EX8	DGJ		CAMSHAFT, Exhaust
6	05080096AA	1	2, 3, 6, 7			EX8	DGJ		PIN, Dowel
7	05073814AA	1	2, 3, 6, 7			EX8	DGJ		GEAR, Camshaft Exhaust
8	05117399AA	10	2, 3, 6, 7			EX8	DGJ		VALVE, Intake, Standard
-9	05117402AA	10	2, 3, 6, 7			EX8	DGJ		VALVE, Engine Exhaust
10	05086290AA	5	2, 3, 6, 7			EX8	DGJ		SEAL, Valve Guide, Parts Kit
11	05080055AA	20	2, 3, 6, 7			EX8	DGJ		RETAINER, Valve Spring, Bottom
12	05080054AA	10	2, 3, 6, 7			EX8	DGJ		SPRING, Valve Intake
	05117403AA	10	2, 3, 6, 7			EX8	DGJ		Exhaust
13	05080052AA	20	2, 3, 6, 7			EX8	DGJ		RETAINER, Valve Spring, Top
14	05080051AA	40	2, 3, 6, 7			EX8	DGJ		LOCK, Valve Spring Retainer
15	05080060AB	20	2, 3, 6, 7			EX8	DGJ		TAPPET, Valve

NOTE:
 Sales Codes:
 [EX8] = 2.7L Inline 5 Cylinder High Output Turbo Diesel Engine - [OM647]

SPRINTER (VA)				
SERIES	LINE	BODY	ENGINE	TRANSMISSION
L = LOWLINE	3 = HD DODGE 2WD 8 = HD DODGE 4WD 6 = Lt. Duty DODGE 4WD 2 = Med. Duty DODGE 2WD 7 = Med. Duty DODGE 4WD 4 = TRUCK	12 = Van 140" 51 = Wagon 118" 52 = Wagon 140" 14 = Van 118" 15 = Van 140" 16 = Van 158" 54 = Wagon 118" 55 = Wagon 140" 56 = Wagon 158" 01 = Chassis Forward Control 118" 02 = Chassis Forward Control 140" 06 = Front Section 158" 11 = Van 118"	EX8 = Engine - 2.7L I5 Mercedes-Benz TD	DGJ = Transmission - 5-Spd Auto, MB

AR = use ase required - = Non illustrated part

**Timing Cover and Chain
Figure 2.7LD-HO-610**



ITEM	PART NUMBER	QTY	LINE	SERIES	BODY	ENGINE	TRANS	TRIM	DESCRIPTION
------	-------------	-----	------	--------	------	--------	-------	------	-------------

NOTE:
Sales Codes:

1	05103969AA	1	2, 3, 6, 7			EX8	DGJ		COVER, Timing Case
2	05080071AA	1	2, 3, 6, 7			EX8	DGJ		PLUG, Expansion
3	05080015AA	1	2, 3, 6, 7			EX8	DGJ		O RING
4	05080014AA	1	2, 3, 6, 7			EX8	DGJ		O RING
5	05080398AA	1	2, 3, 6, 7			EX8	DGJ		PLUG
6	05073675AB	1	2, 3, 6, 7			EX8	DGJ		OIL SEAL
7	05080179AA	1	2, 3, 6, 7			EX8	DGJ		VALVE, Pressure Relief
8	05073677AA	1	2, 3, 6, 7			EX8	DGJ		GASKET, Timing Cover
9	05073936AA	1	2, 3, 6, 7			EX8	DGJ		DOWEL
10									SCREW
	05137660AA	3	2, 3, 6, 7			EX8	DGJ		[M8x1.25x80.0]
	06104031AA	2	2, 3, 6, 7			EX8	DGJ		[M8x1.25x60.00]
	06104035AA	4	2, 3, 6, 7			EX8	DGJ		[M8x1.25x90.00]
11	05080110AA	1	2, 3, 6, 7			EX8	DGJ		GEAR, Camshaft
12	05073901AA	3	2, 3, 6, 7			EX8	DGJ		SCREW
13	05137030AA	1	2, 3, 6, 7			EX8	DGJ		SEPERATOR, OilCamshaft
14	06104684AA	5	2, 3, 6, 7			EX8	DGJ		SCREW
15	05117380AA	1	2, 3, 6, 7			EX8	DGJ		GEAR, Intermediate
16	05080098AA	1	2, 3, 6, 7			EX8	DGJ		BEARING
17	05073707AA	1	2, 3, 6, 7			EX8	DGJ		SCREW
18	05080209AA	1	2, 3, 6, 7			EX8	DGJ		CHAIN, Timing
19	05086196AA	1	2, 3, 6, 7			EX8	DGJ		LINK, Chain
20	05080099AA	1	2, 3, 6, 7			EX8	DGJ		GUIDE, Timing Chain
21	05080100AA	1	2, 3, 6, 7			EX8	DGJ		GUIDE, Timing Chain
22	05073870AA	2	2, 3, 6, 7			EX8	DGJ		DOWEL
23	05080101AA	1	2, 3, 6, 7			EX8	DGJ		GUIDE, Timing Chain

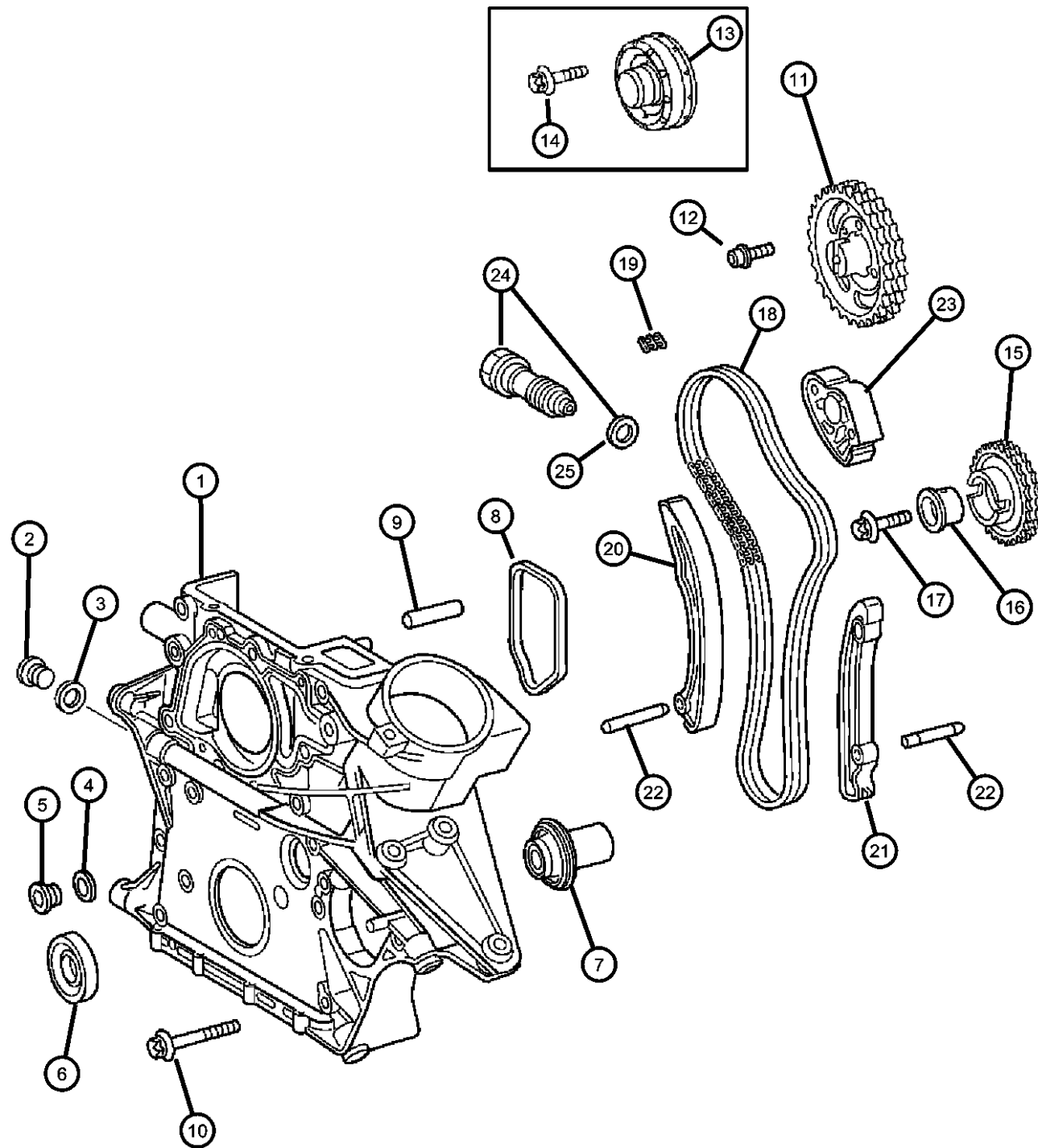
SPRINTER (VA)

SERIES	LINE	BODY	ENGINE	TRANSMISSION
L = LOWLINE	3 = HD DODGE 2WD 8 = HD DODGE 4WD 6 = Lt. Duty DODGE 4WD 2 = Med. Duty DODGE 2WD 7 = Med. Duty DODGE 4WD 4 = TRUCK	12 = Van 140" 51 = Wagon 118" 52 = Wagon 140" 14 = Van 118" 15 = Van 140" 16 = Van 158" 54 = Wagon 118" 55 = Wagon 140" 56 = Wagon 158" 01 = Chassis Forward Control 118" 02 = Chassis Forward Control 140" 06 = Front Section 158" 11 = Van 118"	EX8 = Engine - 2.7L I5 Mercedes-Benz TD	DGJ = Transmission - 5-Spd Auto, MB

AR = use ase required - = Non illustrated part

2005 VA

Timing Cover and Chain
Figure 2.7LD-HO-610



ITEM	PART NUMBER	QTY	LINE	SERIES	BODY	ENGINE	TRANS	TRIM	DESCRIPTION
------	-------------	-----	------	--------	------	--------	-------	------	-------------

24	05080102AB	1	2, 3, 6, 7			EX8	DGJ		TENSIONER, Chain
25	05125905AA	1	2, 3, 6, 7			EX8	DGJ		O RING

SPRINTER (VA)

SERIES

L = LOWLINE

LINE

3 = HD DODGE 2WD
8 = HD DODGE 4WD
6 = Lt. Duty DODGE 4WD
2 = Med. Duty DODGE 2WD
7 = Med. Duty DODGE 4WD
4 = TRUCK

BODY

12 = Van 140"
51 = Wagon 118"
52 = Wagon 140"
14 = Van 118"
15 = Van 140"
16 = Van 158"
54 = Wagon 118"
55 = Wagon 140"
56 = Wagon 158"
01 = Chassis Forward Control
118"
02 = Chassis Forward Control
140"
06 = Front Section 158"
11 = Van 118"

ENGINE

EX8 = Engine - 2.7L I5
Mercedes-Benz TD

TRANSMISSION

DGJ = Transmission - 5-Spd Auto, MB

AR = use ase required - = Non illustrated part

2005 VA

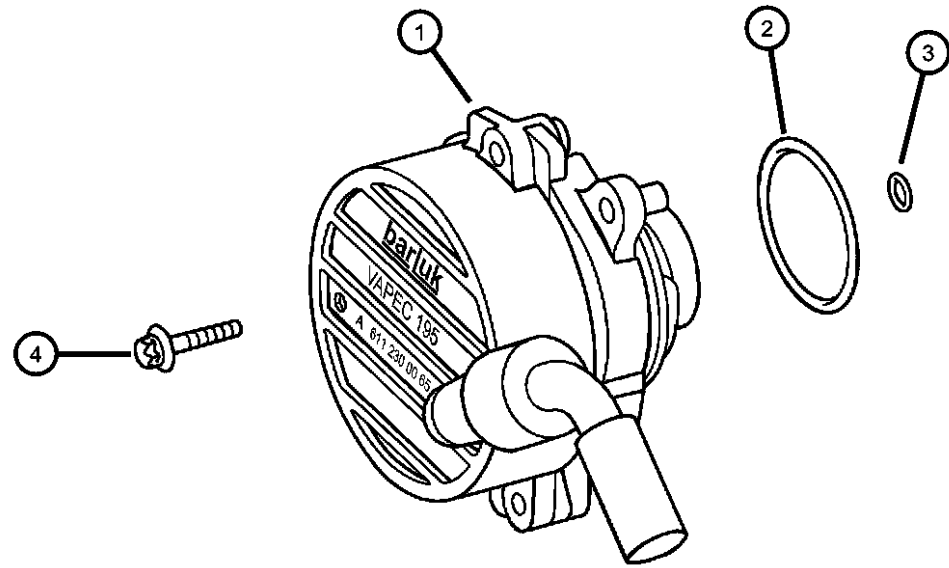
Vaccum Pump
Figure 2.7LD-HO-620

ITEM	PART NUMBER	QTY	LINE	SERIES	BODY	ENGINE	TRANS	TRIM	DESCRIPTION
------	-------------	-----	------	--------	------	--------	-------	------	-------------

NOTE:

Sales Codes:

1	05117675AA	1	2, 3, 6, 7			EX8	DGJ		PUMP, Vacuum
2	05080334AA	1	2, 3, 6, 7			EX8	DGJ		O RING
3	05080335AA	1	2, 3, 6, 7			EX8	DGJ		O RING
4	05073702AA	2	2, 3, 6, 7			EX8	DGJ		SCREW



SPRINTER (VA)

SERIES	LINE	BODY	ENGINE	TRANSMISSION
L = LOWLINE	3 = HD DODGE 2WD 8 = HD DODGE 4WD 6 = Lt. Duty DODGE 4WD 2 = Med. Duty DODGE 2WD 7 = Med. Duty DODGE 4WD 4 = TRUCK	12 = Van 140" 51 = Wagon 118" 52 = Wagon 140" 14 = Van 118" 15 = Van 140" 16 = Van 158" 54 = Wagon 118" 55 = Wagon 140" 56 = Wagon 158"	EX8 = Engine - 2.7L I5 Mercedes-Benz TD	DGJ = Transmission - 5-Spd Auto, MB
		01 = Chassis Forward Control 118"		
		02 = Chassis Forward Control 140"		
		06 = Front Section 158"		
		11 = Van 118"		

AR = use ase required - = Non illustrated part

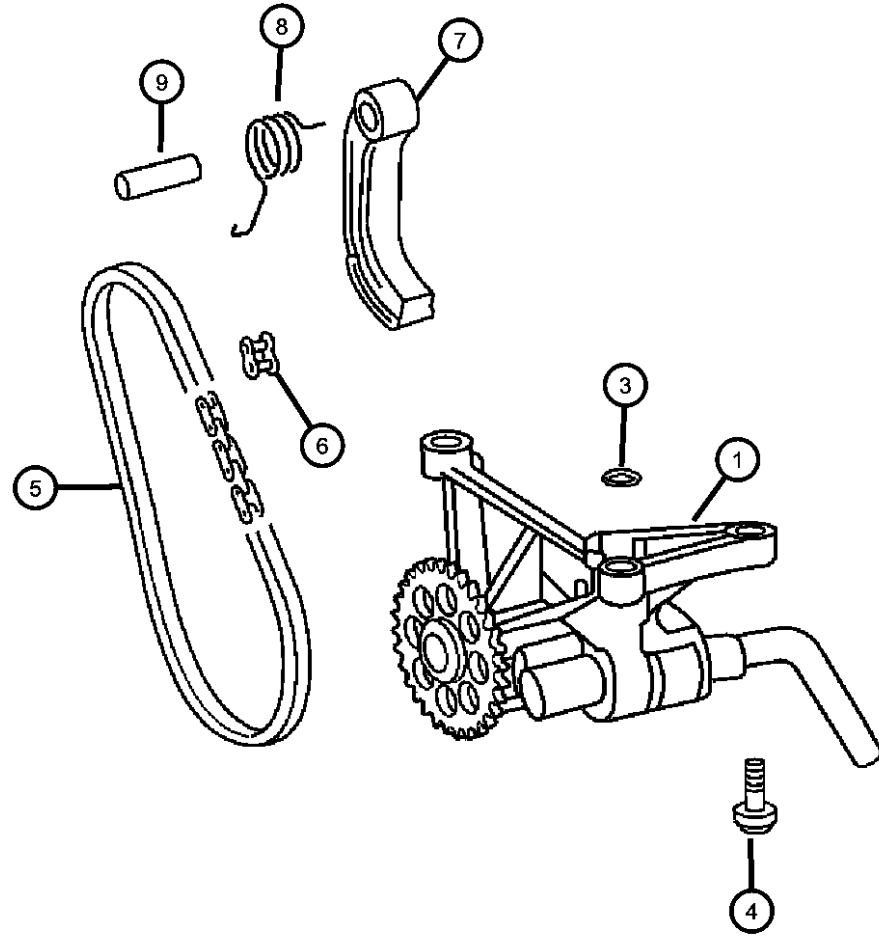
2005 VA

Oil Pump
Figure 2.7LD-HO-710

ITEM	PART NUMBER	QTY	LINE	SERIES	BODY	ENGINE	TRANS	TRIM	DESCRIPTION
------	-------------	-----	------	--------	------	--------	-------	------	-------------

NOTE:
Sales Codes:

1	05117594AA	1	2, 3, 6, 7			EX8	DGJ		PUMP, Engine Oil
-2	05080119AA	1	2, 3, 6, 7			EX8	DGJ		SNAP RING
3	05080123AA	1	2, 3, 6, 7			EX8	DGJ		O RING
4	05073710AA	3	2, 3, 6, 7			EX8	DGJ		SCREW
5	05080128AA	1	2, 3, 6, 7			EX8	DGJ		CHAIN, Pump Drive
6	05080129AA	1	2, 3, 6, 7			EX8	DGJ		LINK, Chain
7	05080121AA	1	2, 3, 6, 7			EX8	DGJ		ARM, Tensioner
8	05080120AA	1	2, 3, 6, 7			EX8	DGJ		SPRING
9	05073871AA	1	2, 3, 6, 7			EX8	DGJ		DOWEL



SPRINTER (VA)

SERIES	LINE	BODY	ENGINE	TRANSMISSION
L = LOWLINE	3 = HD DODGE 2WD 8 = HD DODGE 4WD 6 = Lt. Duty DODGE 4WD 2 = Med. Duty DODGE 2WD 7 = Med. Duty DODGE 4WD 4 = TRUCK	12 = Van 140" 51 = Wagon 118" 52 = Wagon 140" 14 = Van 118" 15 = Van 140" 16 = Van 158" 54 = Wagon 118" 55 = Wagon 140" 56 = Wagon 158" 01 = Chassis Forward Control 118" 02 = Chassis Forward Control 140" 06 = Front Section 158" 11 = Van 118"	EX8 = Engine - 2.7L I5 Mercedes-Benz TD	DGJ = Transmission - 5-Spd Auto, MB

AR = use ase required - = Non illustrated part

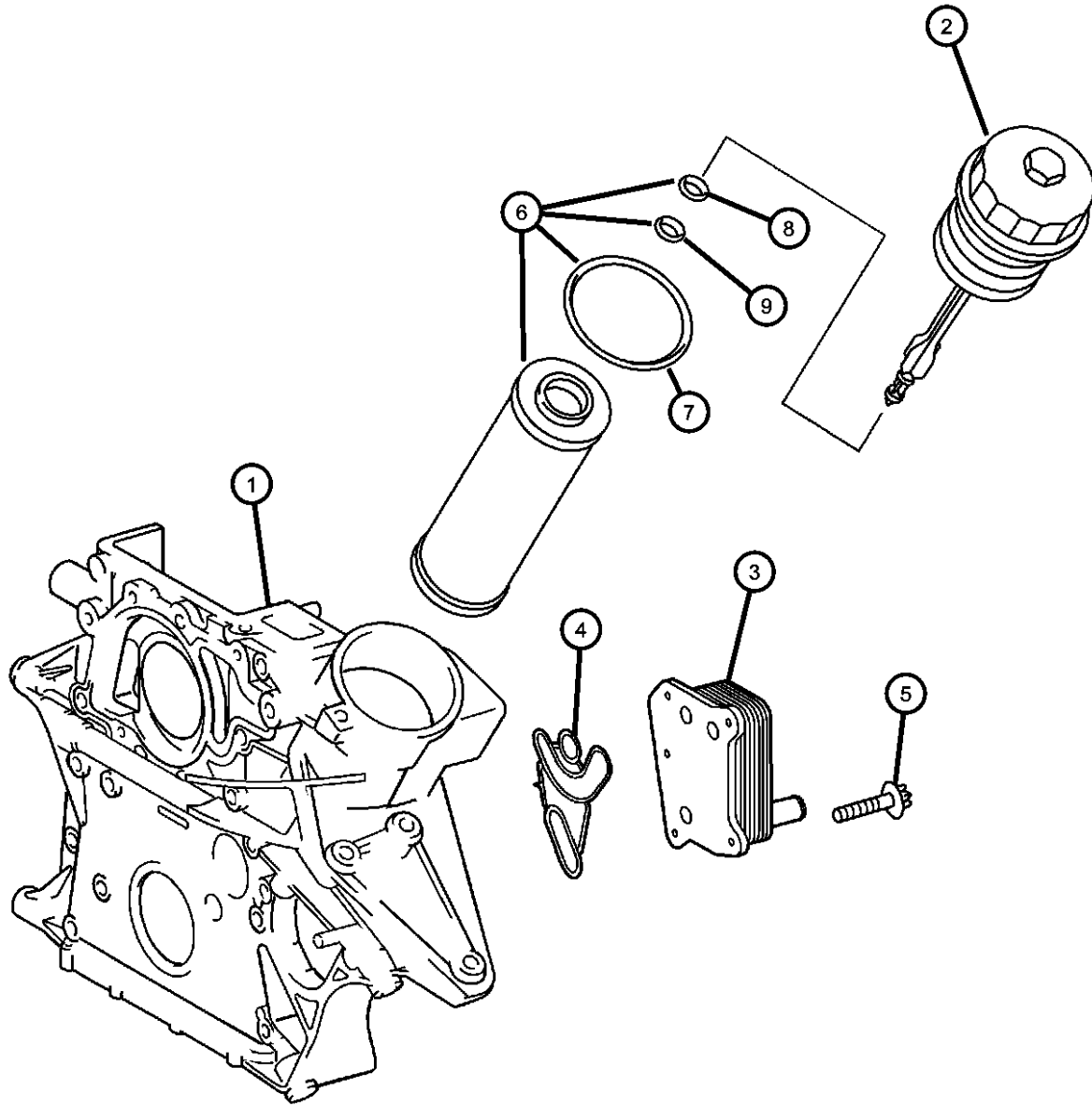
2005 VA

**Oil Cooler and Filter
Figure 2.7LD-HO-720**

ITEM	PART NUMBER	QTY	LINE	SERIES	BODY	ENGINE	TRANS	TRIM	DESCRIPTION
------	-------------	-----	------	--------	------	--------	-------	------	-------------

NOTE:
Sales Codes:

1	05103969AA	1	2, 3, 6, 7			EX8	DGJ		COVER, Timing Case
2	05080029AA	1	2, 3, 6, 7			EX8	DGJ		HEAD, Oil Filter
3	05080402AA	1	2, 3, 6, 7			EX8	DGJ		COOLER, Oil
4	05080141AA	1	2, 3, 6, 7			EX8	DGJ		GASKET, Oil Cooler
5	06104681AA	5	2, 3, 6, 7			EX8	DGJ		SCREW
6	05086301AA	1	2, 3, 6, 7			EX8	DGJ		FILTER, Engine Oil
7	05080242AA	1	2, 3, 6, 7			EX8	DGJ		O RING
8	05080242AA	1	2, 3, 6, 7			EX8	DGJ		O RING
9	05086297AA	1	2, 3, 6, 7			EX8	DGJ		O RING



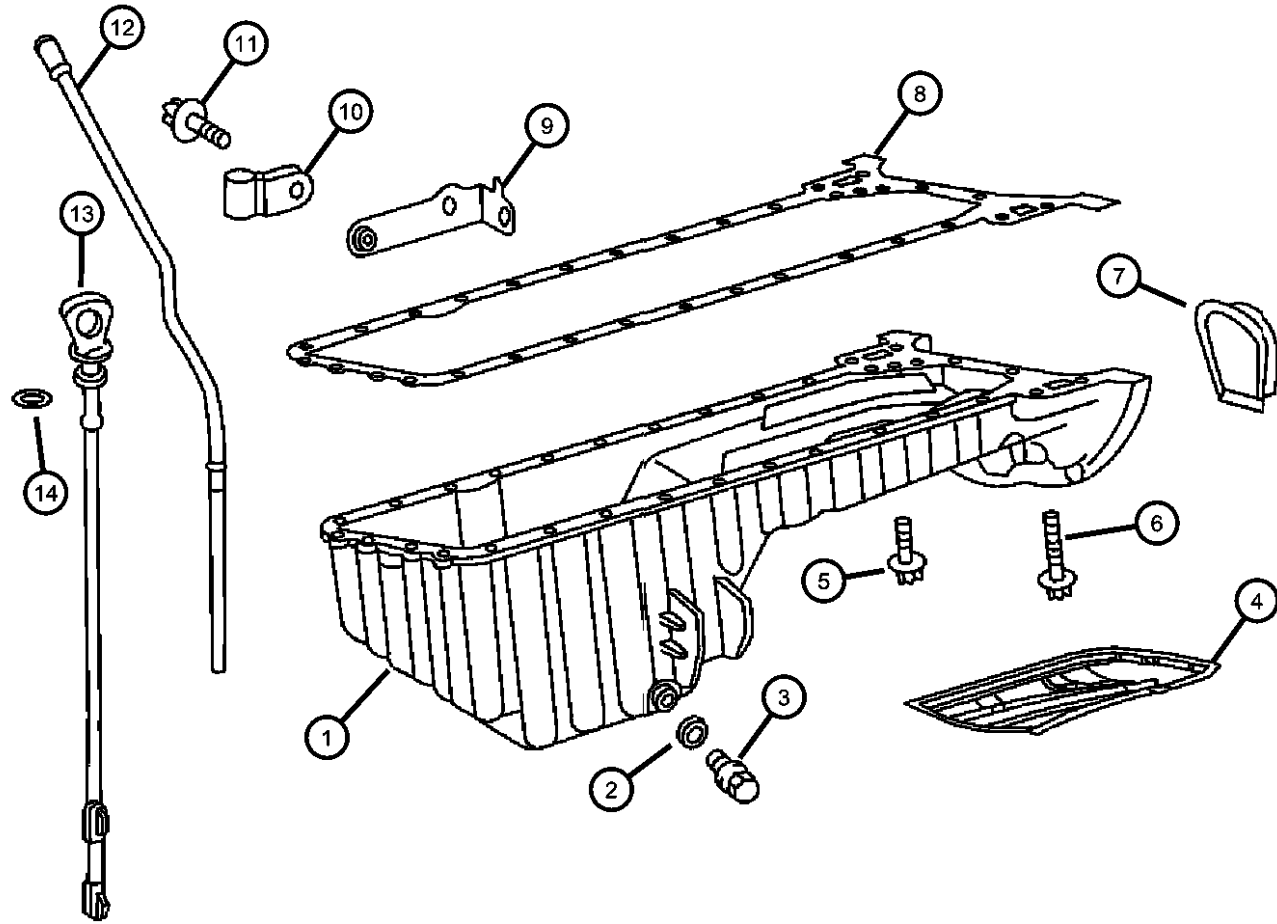
SPRINTER (VA)

SERIES	LINE	BODY	ENGINE	TRANSMISSION
L = LOWLINE	3 = HD DODGE 2WD 8 = HD DODGE 4WD 6 = Lt. Duty DODGE 4WD 2 = Med. Duty DODGE 2WD 7 = Med. Duty DODGE 4WD 4 = TRUCK	12 = Van 140" 51 = Wagon 118" 52 = Wagon 140" 14 = Van 118" 15 = Van 140" 16 = Van 158" 54 = Wagon 118" 55 = Wagon 140" 56 = Wagon 158" 01 = Chassis Forward Control 118" 02 = Chassis Forward Control 140" 06 = Front Section 158" 11 = Van 118"	EX8 = Engine - 2.7L I5 Mercedes-Benz TD	DGJ = Transmission - 5-Spd Auto, MB

AR = use ase required - = Non illustrated part

2005 VA

Oil Pan
Figure 2.7LD-HO-730



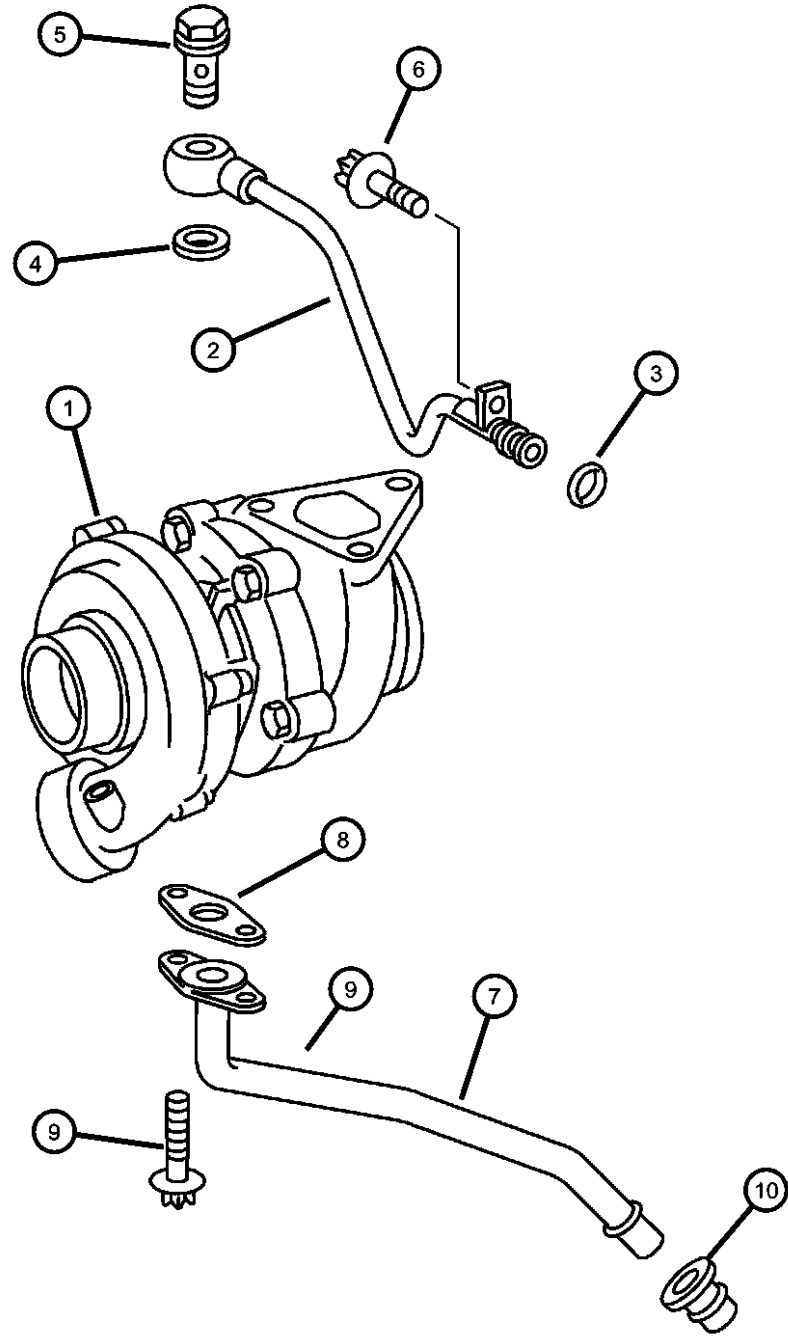
ITEM	PART NUMBER	QTY	LINE	SERIES	BODY	ENGINE	TRANS	TRIM	DESCRIPTION
NOTE:									
Sales Codes:									
1	05117152AA	1	2, 3, 6, 7			EX8	DGJ		PAN, Oil
2	05073946AA	1	2, 3, 6, 7			EX8	DGJ		GASKET, Drain Plug
3	05073945AA	1	2, 3, 6, 7			EX8	DGJ		PLUG, Oil Drain
4	05117250AA	1	2, 3, 6, 7			EX8	DGJ		PAN, OilWindage Tray
5									BOLT, M6x20
	05126198AA	4	2, 6			EX8	DGJ		
		4	3, 7			EX8	DGJ		
6									BOLT
	06104006AA	18	2, 3, 6, 7			EX8	DGJ		[M6x1.0x20]
	06104029AA	2	2, 3, 6, 7			EX8	DGJ		[M8x1.25x50]
7	05103911AA	1	2, 3, 6, 7			EX8	DGJ		COVER
8	05080064AA	1	2, 3, 6, 7			EX8	DGJ		GASKET, Oil Pan
9	05117308AA	1	2, 3, 6, 7			EX8	DGJ		BRACKET
10	06104827AA	1	2, 3, 6, 7			EX8	DGJ		CLAMP, Tube Retaining
11	05135828AA	1	2, 3, 6, 7			EX8	DGJ		SCREW
12	05117302AA	1	2, 3, 6, 7			EX8	DGJ		TUBE, Engine Oil Indicator
13	05103962AA	1	2, 3, 6, 7			EX8	DGJ		INDICATOR, Engine Oil Level
14	05073943AA	1	2, 3, 6, 7			EX8	DGJ		O RING, Engine Oil Level Tube
-15	05073692AA	2	2, 3, 6, 7			EX8	DGJ		SCREW

SPRINTER (VA)

SERIES	LINE	BODY	ENGINE	TRANSMISSION
L = LOWLINE	3 = HD DODGE 2WD 8 = HD DODGE 4WD 6 = Lt. Duty DODGE 4WD 2 = Med. Duty DODGE 2WD 7 = Med. Duty DODGE 4WD 4 = TRUCK	12 = Van 140" 51 = Wagon 118" 52 = Wagon 140" 14 = Van 118" 15 = Van 140" 16 = Van 158" 54 = Wagon 118" 55 = Wagon 140" 56 = Wagon 158" 01 = Chassis Forward Control 118" 02 = Chassis Forward Control 140" 06 = Front Section 158" 11 = Van 118"	EX8 = Engine - 2.7L I5 Mercedes-Benz TD	DGJ = Transmission - 5-Spd Auto, MB

AR = use ase required - = Non illustrated part

Turbo, Oil Feed and Return Lines
Figure 2.7LD-HO-740



ITEM	PART NUMBER	QTY	LINE	SERIES	BODY	ENGINE	TRANS	TRIM	DESCRIPTION
------	-------------	-----	------	--------	------	--------	-------	------	-------------

NOTE:
Sales Codes:

1	05142494AA	1	2, 3, 6, 7			EX8	DGJ		TURBOCHARGER
2	05103984AA	1	2, 3, 6, 7			EX8	DGJ		TUBE, Turbo Oil Feed
3	05080135AA	1	2, 3, 6, 7			EX8	DGJ		O RING
4	05080136AB	2	2, 3, 6, 7			EX8	DGJ		O RING
5	05080137AA	1	2, 3, 6, 7			EX8	DGJ		SCREW
6	06104005AA	1	2, 3, 6, 7			EX8	DGJ		SCREW
7	05103983AA	1	2, 3, 6, 7			EX8	DGJ		TUBE, Turbo Oil Return
8	05117624AA	1	2, 3, 6, 7			EX8	DGJ		GASKET, Turbo Oil Return Pipe
9	06104005AA	2	2, 3, 6, 7			EX8	DGJ		SCREW
10	05080140AB	1	2, 3, 6, 7			EX8	DGJ		GASKET, Turbo Oil Return Pipe

SPRINTER (VA)

SERIES	LINE	BODY	ENGINE	TRANSMISSION
L = LOWLINE	3 = HD DODGE 2WD 8 = HD DODGE 4WD 6 = Lt. Duty DODGE 4WD 2 = Med. Duty DODGE 2WD 7 = Med. Duty DODGE 4WD 4 = TRUCK	12 = Van 140" 51 = Wagon 118" 52 = Wagon 140" 14 = Van 118" 15 = Van 140" 16 = Van 158" 54 = Wagon 118" 55 = Wagon 140" 56 = Wagon 158" 01 = Chassis Forward Control 118" 02 = Chassis Forward Control 140" 06 = Front Section 158" 11 = Van 118"	EX8 = Engine - 2.7L I5 Mercedes-Benz TD	DGJ = Transmission - 5-Spd Auto, MB

AR = use ase required - = Non illustrated part

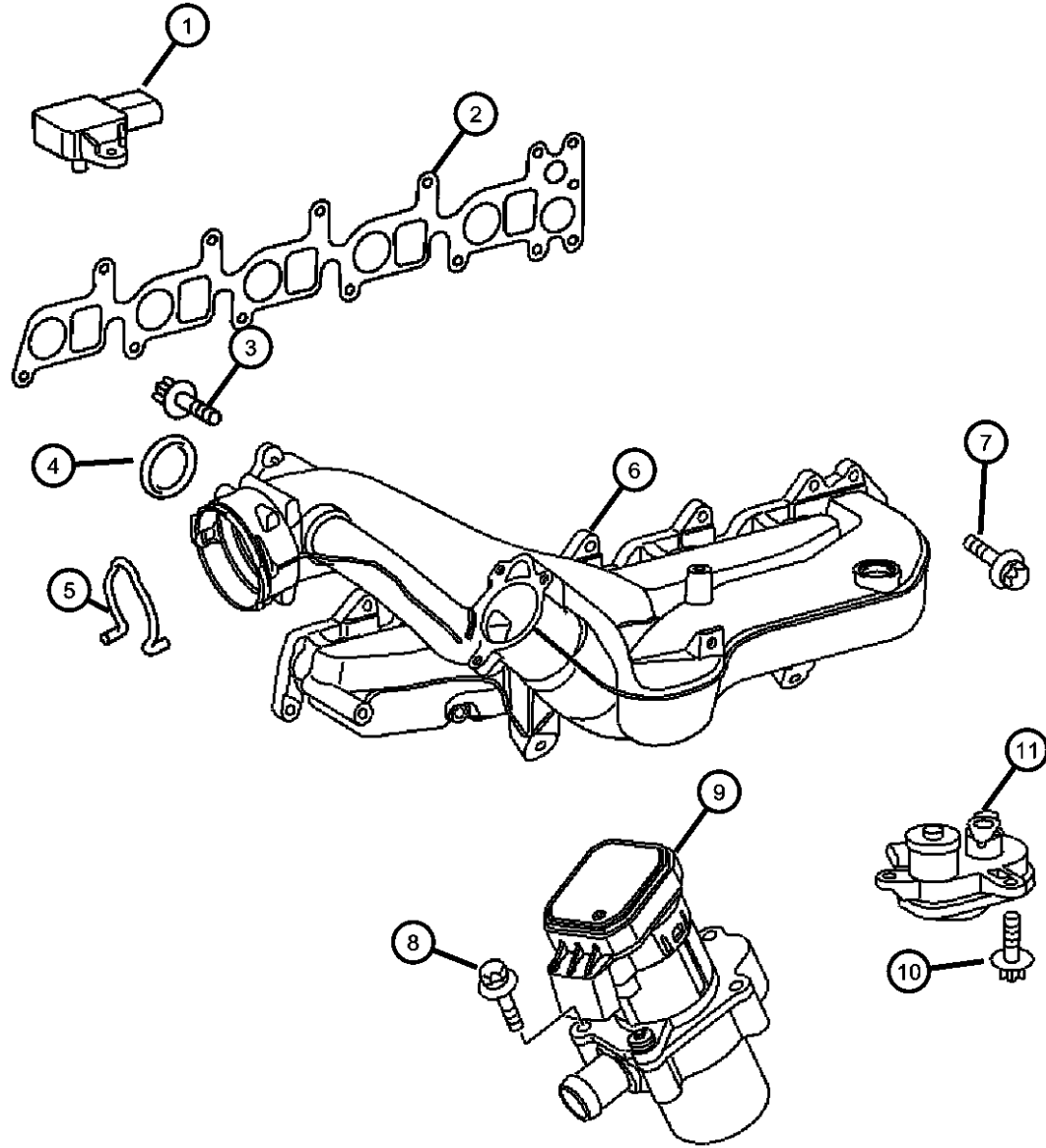
2005 VA

**Intake Manifold
Figure 2.7LD-HO-810**

ITEM	PART NUMBER	QTY	LINE	SERIES	BODY	ENGINE	TRANS	TRIM	DESCRIPTION
------	-------------	-----	------	--------	------	--------	-------	------	-------------

NOTES:
Sales Codes:

1									SENSOR, Coolant Level
	05120509AA	1	2, 6			EX8	DGJ		
		1	3, 7			EX8	DGJ		
2	05080324AA	1	2, 3, 6, 7			EX8	DGJ		GASKET, Intake Manifold
3	06104005AA	2	2, 3, 6, 7			EX8	DGJ		SCREW
4	05137197AA	1	2, 3, 6, 7			EX8	DGJ		GASKET, EGR Valve
5	05136770AA	1	2, 3, 6, 7			EX8	DGJ		SPRING
6	05136769AA	1	2, 3, 6, 7			EX8	DGJ		MANIFOLD, Intake
7	05073903AA	8	2, 3, 6, 7			EX8	DGJ		SCREW
8	06104008AA	8	2, 3, 6, 7			EX8	DGJ		SCREW
9	05117525AA	1	2, 3, 6, 7			EX8	DGJ		VALVE
10	06104005AA	2	2, 3, 6, 7			EX8	DGJ		SCREW
11	05135893AA	1	2, 3, 6, 7			EX8	DGJ		MOTOR, Air Idle Speed



SPRINTER (VA)

SERIES	LINE	BODY	ENGINE	TRANSMISSION
L = LOWLINE	3 = HD DODGE 2WD 8 = HD DODGE 4WD 6 = Lt. Duty DODGE 4WD 2 = Med. Duty DODGE 2WD 7 = Med. Duty DODGE 4WD 4 = TRUCK	12 = Van 140" 51 = Wagon 118" 52 = Wagon 140" 14 = Van 118" 15 = Van 140" 16 = Van 158" 54 = Wagon 118" 55 = Wagon 140" 56 = Wagon 158" 01 = Chassis Forward Control 118" 02 = Chassis Forward Control 140" 06 = Front Section 158" 11 = Van 118"	EX8 = Engine - 2.7L I5 Mercedes-Benz TD	DGJ = Transmission - 5-Spd Auto, MB

AR = use ase required - = Non illustrated part

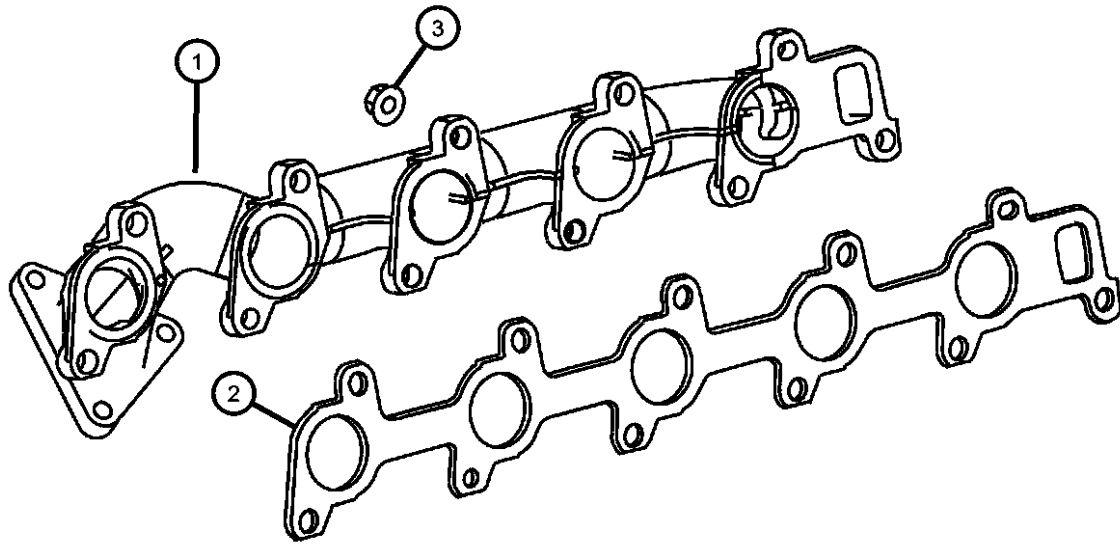
2005 VA

**Exhaust Manifold
Figure 2.7LD-HO-820**

ITEM	PART NUMBER	QTY	LINE	SERIES	BODY	ENGINE	TRANS	TRIM	DESCRIPTION
------	-------------	-----	------	--------	------	--------	-------	------	-------------

NOTE:
Sales Codes:

1	05117523AA	1	2, 3, 6, 7			EX8	DGJ		MANIFOLD, Exhaust
2	05117528AA	1	2, 3, 6, 7			EX8	DGJ		GASKET, Exhaust Manifold
3	06104729AA	11	2, 3, 6, 7			EX8	DGJ		NUT



SPRINTER (VA)

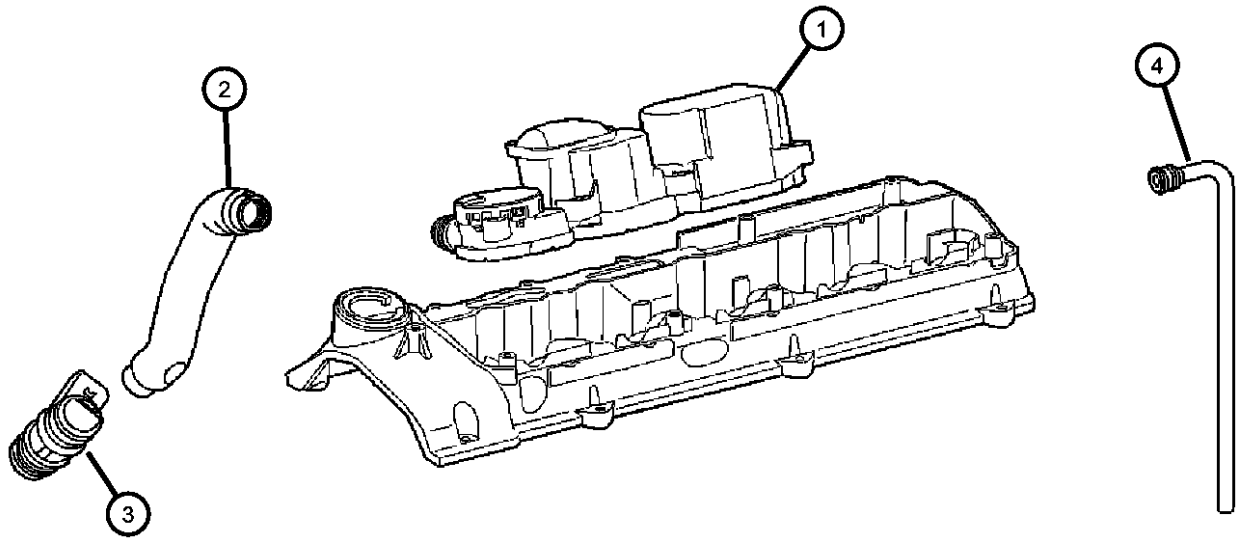
SERIES	LINE	BODY	ENGINE	TRANSMISSION
L = LOWLINE	3 = HD DODGE 2WD 8 = HD DODGE 4WD 6 = Lt. Duty DODGE 4WD 2 = Med. Duty DODGE 2WD 7 = Med. Duty DODGE 4WD 4 = TRUCK	12 = Van 140" 51 = Wagon 118" 52 = Wagon 140" 14 = Van 118" 15 = Van 140" 16 = Van 158" 54 = Wagon 118" 55 = Wagon 140" 56 = Wagon 158" 01 = Chassis Forward Control 118" 02 = Chassis Forward Control 140" 06 = Front Section 158" 11 = Van 118"	EX8 = Engine - 2.7L I5 Mercedes-Benz TD	DGJ = Transmission - 5-Spd Auto, MB

AR = use ase required - = Non illustrated part

2005 VA

**Crankcase Ventilation
Figure 2.7LD-HO-910**

ITEM	PART NUMBER	QTY	LINE	SERIES	BODY	ENGINE	TRANS	TRIM	DESCRIPTION
NOTE: Sales Codes: [EX8] = 2.7L Inline 5 Cylinder High Output Turbo Diesel Engine - [OM647]									
1	05137030AA	1	2, 3, 6, 7			EX8	DGJ		SEPERATOR, Oil
2	05117234AA	1	2, 3, 6, 7			EX8	DGJ		HOSE, Air Induction
3									TUBE, Crankcase Vent Valve
	05117289AA	1	2, 6			EX8	DGJ		
		1	3, 7			EX8	DGJ		
4	05117291AA	1	2, 3, 6, 7			EX8	DGJ		HOSE



SPRINTER (VA)				
SERIES	LINE	BODY	ENGINE	TRANSMISSION
L = LOWLINE	3 = HD DODGE 2WD 8 = HD DODGE 4WD 6 = Lt. Duty DODGE 4WD 2 = Med. Duty DODGE 2WD 7 = Med. Duty DODGE 4WD 4 = TRUCK	12 = Van 140" 51 = Wagon 118" 52 = Wagon 140" 14 = Van 118" 15 = Van 140" 16 = Van 158" 54 = Wagon 118" 55 = Wagon 140" 56 = Wagon 158" 01 = Chassis Forward Control 118" 02 = Chassis Forward Control 140" 06 = Front Section 158" 11 = Van 118"	EX8 = Engine - 2.7L I5 Mercedes-Benz TD	DGJ = Transmission - 5-Spd Auto, MB

AR = use ase required - = Non illustrated part

Group - 11

Exhaust

Group - 11 Exhaust

Illustration Title

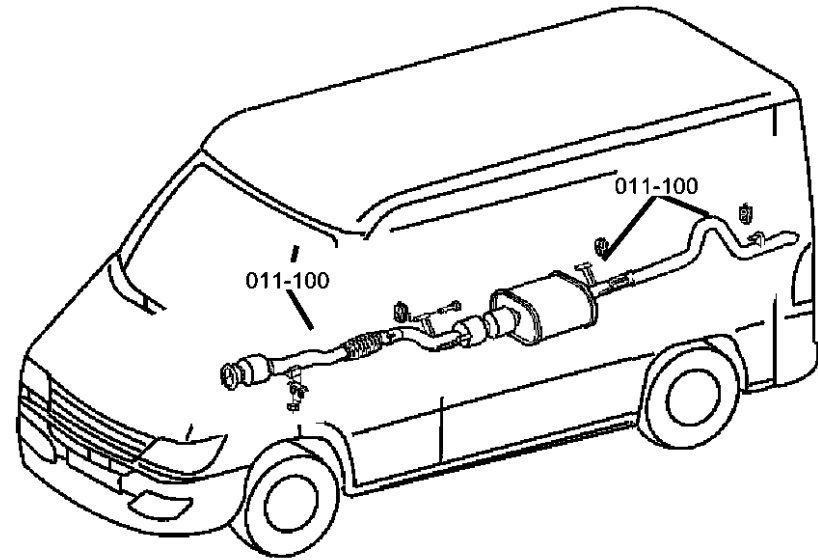
Group-Fig. No.

Exhaust System

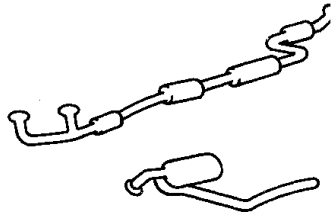
Exhaust System Fig. 11 - 110

Heat Shields

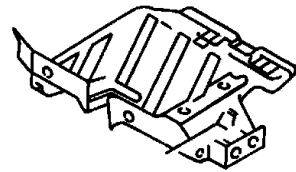
Heat Shields Exhaust Fig. 11 - 210



011-100
Exhaust System



011-200
Heat Shields

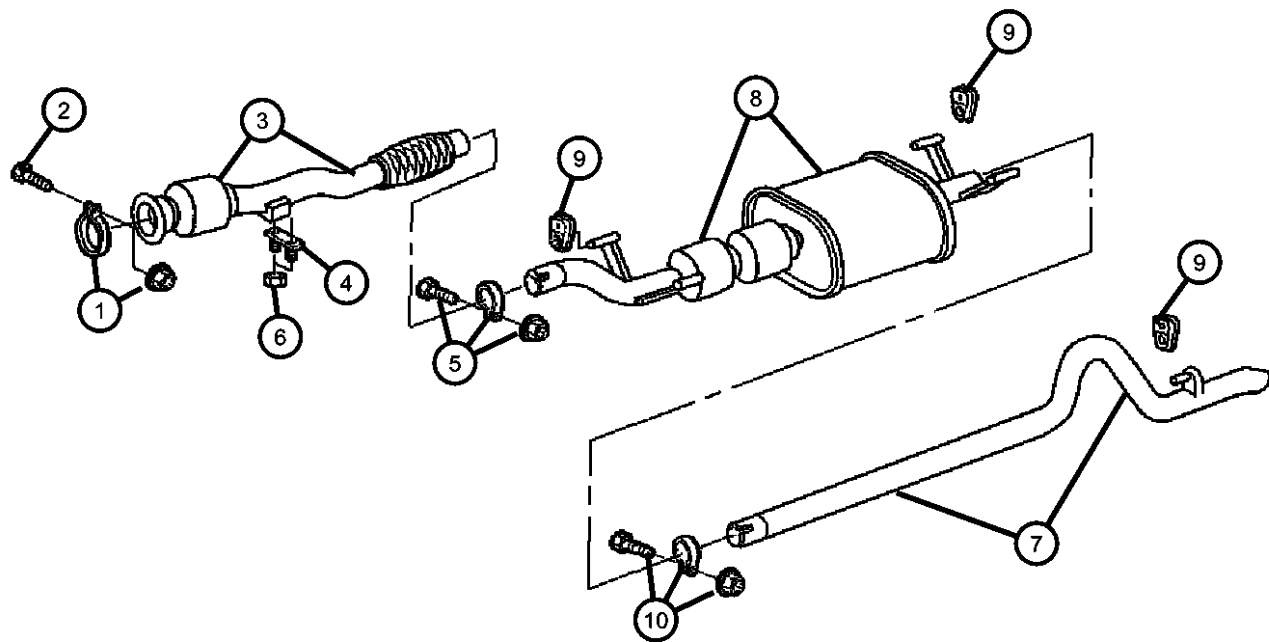


**Exhaust System
Figure 11-110**

ITEM	PART NUMBER	QTY	LINE	SERIES	BODY	ENGINE	TRANS	TRIM	DESCRIPTION
1	05117291AA	1							CLAMP, Exhaust, (NOT SERVICED)
2	06104027AA	1	2, 6	L	11, 12, 14, 15, 16	EX8	DGJ		SCREW
		1	2, 6	L	51, 52, 54, 55, 56	EX8	DGJ		
		1	3, 7	L	02, 06	EX8	DGJ		
		1	3, 7	L	12, 15, 16	EX8	DGJ		
3	05119764AA	1	2, 6	L	11, 12, 14, 15, 16	EX8	DGJ		PIPE, Exhaust
		1	2, 6	L	51, 52, 54, 55, 56	EX8	DGJ		
		1	3, 7	L	02, 06	EX8	DGJ		
	05136635AA	1	3, 7	L	12, 15, 16	EX8	DGJ		
		1	2, 6	L	06	EX8	DGJ		[5AF,NEP]
		1	2, 6	L	01, 02, 06	EX8	DGJ		
4	05119943AA	1	2, 6	L	01, 02, 06	EX8	DGJ		BRACKET, Exhaust
		1	2, 6	L	11, 12, 14, 15, 16	EX8	DGJ		
		1	2, 6	L	51, 52, 54, 55, 56	EX8	DGJ		
		1	3, 7	L	02, 06	EX8	DGJ		
		1	3, 7	L	12, 15, 16	EX8	DGJ		
5	05127230AA	1	2, 6	L	01, 02, 06	EX8	DGJ		CLAMP, Exhaust

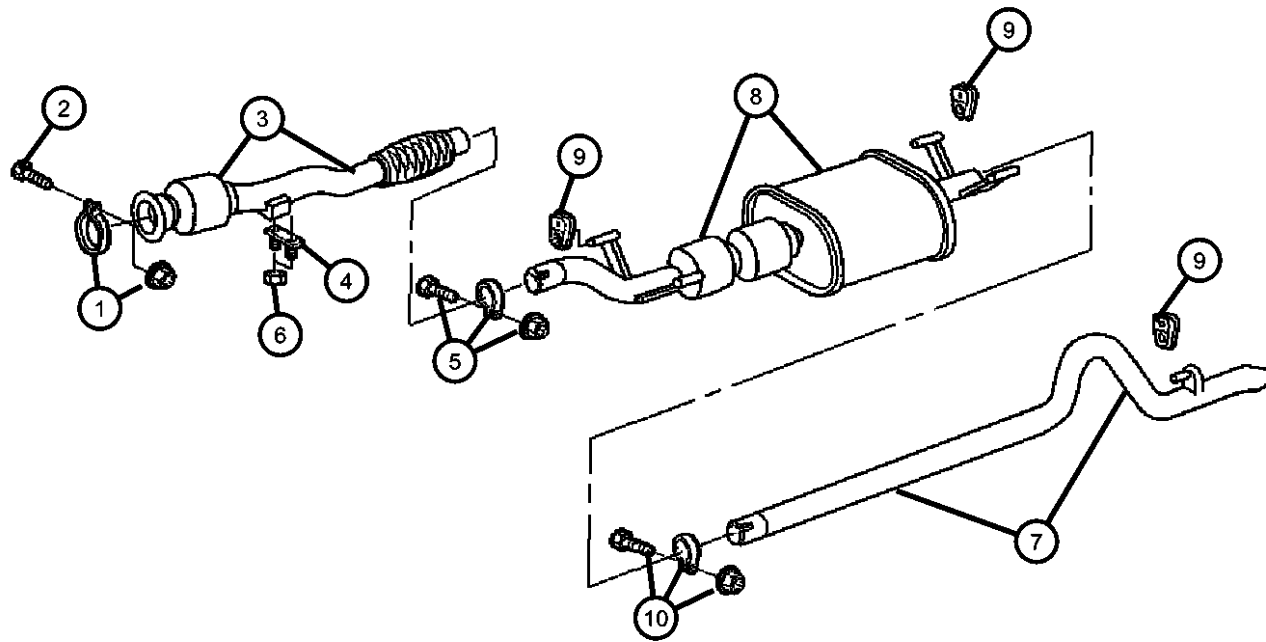
SPRINTER (VA)

SERIES	LINE	BODY	ENGINE	TRANSMISSION
L = LOWLINE	3 = HD DODGE 2WD	12 = Van 140"	EX8 = Engine - 2.7L I5	DGJ = Transmission - 5-Spd Auto, MB
	8 = HD DODGE 4WD	51 = Wagon 118"	Mercedes-Benz TD	
	6 = Lt. Duty DODGE 4WD	52 = Wagon 140"		
	2 = Med. Duty DODGE 2WD	14 = Van 118"		
	7 = Med. Duty DODGE 4WD	15 = Van 140"		
	4 = TRUCK	16 = Van 158"		
		54 = Wagon 118"		
		55 = Wagon 140"		
		56 = Wagon 158"		
		01 = Chassis Forward Control 118"		
		02 = Chassis Forward Control 140"		
		06 = Front Section 158"		
		11 = Van 118"		



AR = use ase required - = Non illustrated part

Exhaust System
Figure 11-110



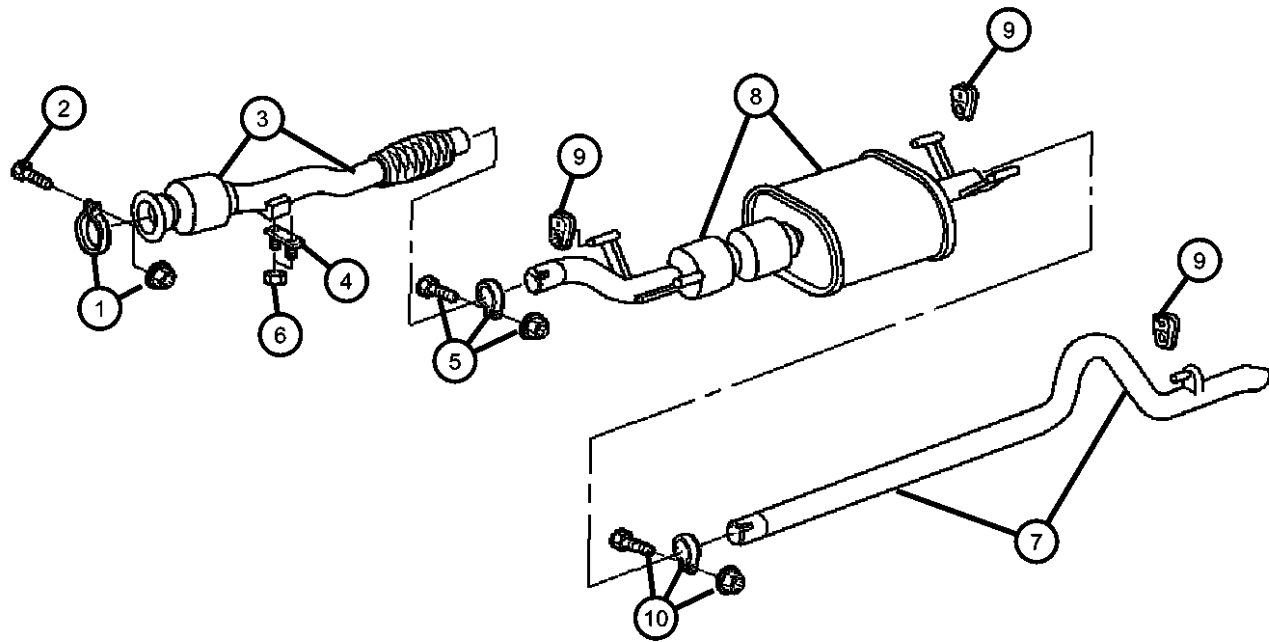
ITEM	PART NUMBER	QTY	LINE	SERIES	BODY	ENGINE	TRANS	TRIM	DESCRIPTION
		1	2, 6	L	11, 12, 14, 15, 16	EX8	DGJ		
		1	2, 6	L	51, 52, 54, 55, 56	EX8	DGJ		
		1	3, 7	L	02, 06	EX8	DGJ		
		1	7, 3	L	12, 15, 16	EX8	DGJ		
6									NUT, Catalytic Converter Mounting
	05101226AA	2	2, 6	L	01, 02, 06	EX8	DGJ		
		2	2, 6	L	11, 12, 14, 15, 16	EX8	DGJ		
		2	3, 7	L	12, 15, 16	EX8	DGJ		
		2	2, 6	L	51, 52, 54, 55, 56	EX8	DGJ		
		2	3, 7	L	02, 06	EX8	DGJ		
7									PIPE, Tail
	05104107AA	1	2, 6	L	02	EX8	DGJ		
		1	2, 6	L	12, 15	EX8	DGJ		
		1	2, 6	L	52, 55	EX8	DGJ		
	05104108AA	1	2, 6	L	16	EX8	DGJ		
		1	2, 6	L	56	EX8	DGJ		
	05119778AA	1	2, 6	L	01	EX8	DGJ		
		1	2, 6	L	11, 14	EX8	DGJ		
		1	2, 6	L	51, 54	EX8	DGJ		
	05119791AA	1	3, 7	L	02	EX8	DGJ		
		1	3, 7	L	12, 15	EX8	DGJ		
	05119793AA	1	3, 7	L	06	EX8	DGJ		
		1	3, 7	L	16	EX8	DGJ		
8									MUFFLER, Exhaust
	05119762AA	1	2, 6	L	01, 02, 06	EX8	DGJ		
		1	2, 6	L	11, 12, 14, 15, 16	EX8	DGJ		

SPRINTER (VA)

SERIES	LINE	BODY	ENGINE	TRANSMISSION
L = LOWLINE	3 = HD DODGE 2WD	12 = Van 140"	EX8 = Engine - 2.7L I5	DGJ = Transmission - 5-Spd Auto, MB
	8 = HD DODGE 4WD	51 = Wagon 118"	Mercedes-Benz TD	
	6 = Lt. Duty DODGE 4WD	52 = Wagon 140"		
	2 = Med. Duty DODGE 2WD	14 = Van 118"		
	7 = Med. Duty DODGE 4WD	15 = Van 140"		
	4 = TRUCK	16 = Van 158"		
		54 = Wagon 118"		
		55 = Wagon 140"		
		56 = Wagon 158"		
		01 = Chassis Forward Control 118"		
		02 = Chassis Forward Control 140"		
		06 = Front Section 158"		
		11 = Van 118"		

AR = use ase required - = Non illustrated part

**Exhaust System
Figure 11-110**



ITEM	PART NUMBER	QTY	LINE	SERIES	BODY	ENGINE	TRANS	TRIM	DESCRIPTION
		1	2, 6	L	51, 52, 54, 55, 56	EX8	DGJ		
		1	7, 3	L	02, 06	EX8	DGJ		
		1	3, 7	L	12, 15, 16	EX8	DGJ		
9									INSULATOR, Exhaust
	05104109AA	4	2, 6	L	01, 02, 06	EX8	DGJ		
		4	2, 6	L	11, 12, 14, 15, 16	EX8	DGJ		
		4	2, 6	L	51, 52, 54, 55, 56	EX8	DGJ		
		1	3, 7	L	02, 06	EX8	DGJ		
		4	3, 7	L	12, 15, 16	EX8	DGJ		
10									CLAMP, Exhaust
	05127230AA	1	2, 6	L	01, 02, 06	EX8	DGJ		
		1	2, 6	L	11, 12, 14, 15, 16	EX8	DGJ		
		1	2, 6	L	51, 52, 54, 55, 56	EX8	DGJ		
		1	3, 7	L	02, 06	EX8	DGJ		
		1	3, 7	L	12, 15, 16	EX8	DGJ		
-11									BRACKET, Exhaust
	05119807AA	1	2, 6	L	01, 02, 06	EX8	DGJ		
		1	2, 6	L	11, 12, 14, 15, 16	EX8	DGJ		
		1	2, 6	L	54, 55, 56, 51, 52	EX8	DGJ		
	05119931AA	1	3, 7	L	12, 15, 16	EX8	DGJ		
		1	2, 6	L	01	EX8	DGJ		
		1	3, 7	L	02, 06	EX8	DGJ		
-12									SEAL, Exhaust
	05135684AA	1	2, 6	L	01, 02, 06	EX8	DGJ		
		1	3, 7	L	02, 06	EX8	DGJ		

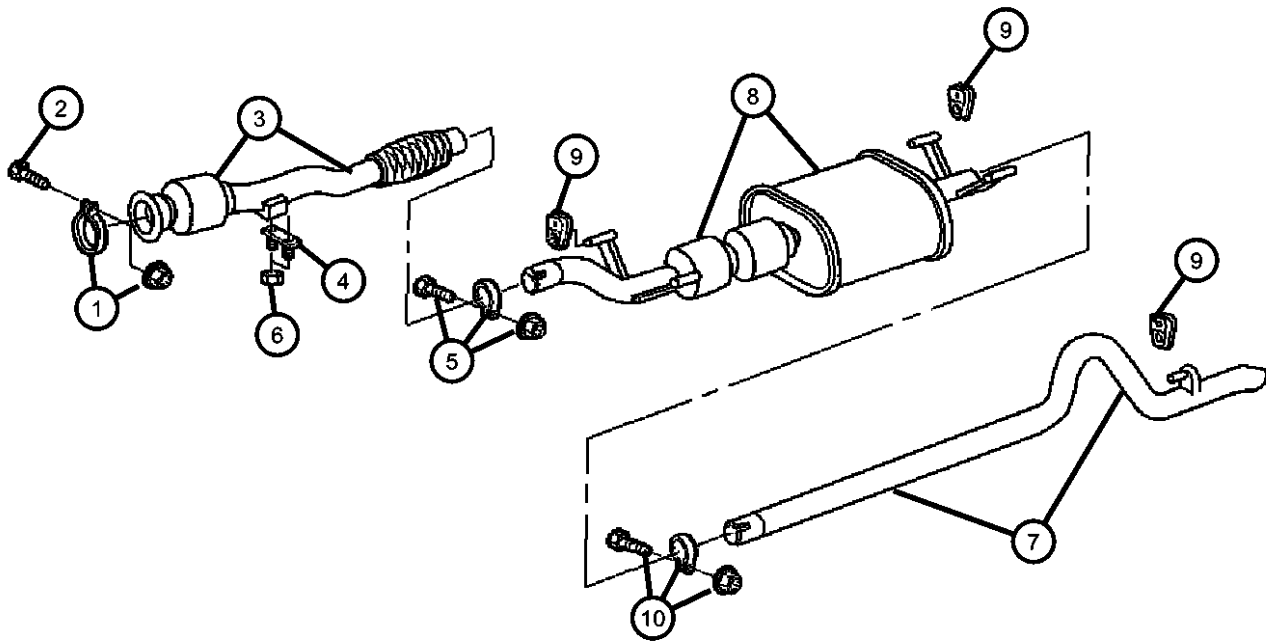
SPRINTER (VA)

SERIES	LINE	BODY	ENGINE	TRANSMISSION
L = LOWLINE	3 = HD DODGE 2WD 8 = HD DODGE 4WD 6 = Lt. Duty DODGE 4WD 2 = Med. Duty DODGE 2WD 7 = Med. Duty DODGE 4WD 4 = TRUCK	12 = Van 140" 51 = Wagon 118" 52 = Wagon 140" 14 = Van 118" 15 = Van 140" 16 = Van 158" 54 = Wagon 118" 55 = Wagon 140" 56 = Wagon 158" 01 = Chassis Forward Control 118" 02 = Chassis Forward Control 140" 06 = Front Section 158" 11 = Van 118"	EX8 = Engine - 2.7L I5 Mercedes-Benz TD	DGJ = Transmission - 5-Spd Auto, MB

AR = use ase required - = Non illustrated part

**Exhaust System
Figure 11-110**

ITEM	PART NUMBER	QTY	LINE	SERIES	BODY	ENGINE	TRANS	TRIM	DESCRIPTION
		1	3, 7	L	12, 15, 16	EX8	DGJ		
		1	2, 6	L	11, 12, 14, 15, 16	EX8	DGJ		
		1	2, 6	L	51, 52, 54, 55, 56	EX8	DGJ		



SPRINTER (VA)

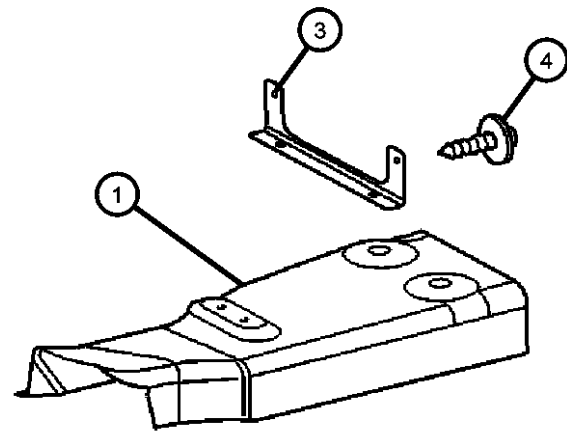
SERIES	LINE	BODY	ENGINE	TRANSMISSION
L = LOWLINE	3 = HD DODGE 2WD 8 = HD DODGE 4WD 6 = Lt. Duty DODGE 4WD 2 = Med. Duty DODGE 2WD 7 = Med. Duty DODGE 4WD 4 = TRUCK	12 = Van 140" 51 = Wagon 118" 52 = Wagon 140" 14 = Van 118" 15 = Van 140" 16 = Van 158" 54 = Wagon 118" 55 = Wagon 140" 56 = Wagon 158" 01 = Chassis Forward Control 118" 02 = Chassis Forward Control 140" 06 = Front Section 158" 11 = Van 118"	EX8 = Engine - 2.7L I5 Mercedes-Benz TD	DGJ = Transmission - 5-Spd Auto, MB

AR = use ase required - = Non illustrated part

**Heat Shields Exhaust
Figure 11-210**

ITEM	PART NUMBER	QTY	LINE	SERIES	BODY	ENGINE	TRANS	TRIM	DESCRIPTION
------	-------------	-----	------	--------	------	--------	-------	------	-------------

Sales Codes:EX8=2.7L I5 MERCEDES-BENZ
DGJ=TRANSMISSION - 5-SPD AUTO



1									SHIELD, Heat
	05135681AA	1	2, 6	L	01, 02, 06	EX8	DGJ		
		1	2, 6	L	11, 12, 14, 15, 16	EX8	DGJ		
		1	2, 6	L	51, 52, 54, 55, 56	EX8	DGJ		
		1	3, 7	L	02, 06	EX8	DGJ		
		1	3, 7	L	12, 15, 16	EX8	DGJ		
-2									SCREW, Exhaust Bracket Mounting, Shield Mounting
	05125748AA	2	2, 6	L	01, 02, 06	EX8	DGJ		
		2	2, 6	L	11, 12, 14, 15, 16	EX8	DGJ		
		2	2, 6	L	51, 52, 54, 55, 56	EX8	DGJ		
		2	3, 7	L	02, 06	EX8	DGJ		
		2	3, 7	L	12, 15, 16	EX8	DGJ		
3									BRACKET, Exhaust
	05119848AA	1	2, 6	L	01, 02, 06	EX8	DGJ		
		1	2, 6	L	11, 12, 14, 15, 16	EX8	DGJ		
		1	2, 6	L	51, 52, 54, 55, 56	EX8	DGJ		
		1	3, 7	L	02, 06	EX8	DGJ		
		1	3, 7	L	12, 15, 16	EX8	DGJ		
4									SCREW, Exhaust Bracket Mounting
	05125748AA	2	2, 6	L	01, 02, 06	EX8	DGJ		
		2	2, 6	L	11, 12, 14, 15, 16	EX8	DGJ		
		2	2, 6	L	51, 52, 54, 55, 56	EX8	DGJ		

SPRINTER (VA)

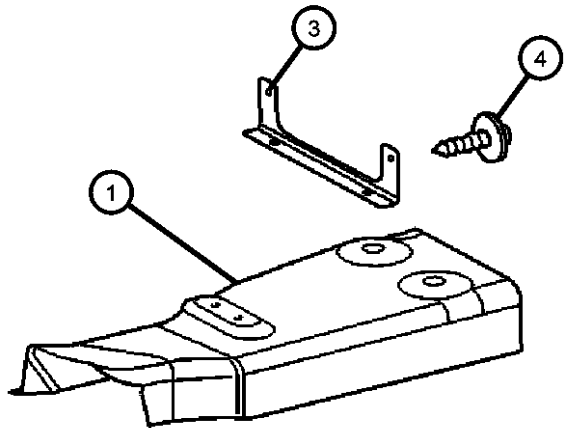
SERIES	LINE	BODY	ENGINE	TRANSMISSION
L = LOWLINE	3 = HD DODGE 2WD 8 = HD DODGE 4WD 6 = Lt. Duty DODGE 4WD 2 = Med. Duty DODGE 2WD 7 = Med. Duty DODGE 4WD 4 = TRUCK	12 = Van 140" 51 = Wagon 118" 52 = Wagon 140" 14 = Van 118" 15 = Van 140" 16 = Van 158" 54 = Wagon 118" 55 = Wagon 140" 56 = Wagon 158" 01 = Chassis Forward Control 118" 02 = Chassis Forward Control 140" 06 = Front Section 158" 11 = Van 118"	EX8 = Engine - 2.7L I5 Mercedes-Benz TD	DGJ = Transmission - 5-Spd Auto, MB

AR = use ase required - = Non illustrated part

2005 VA

**Heat Shields Exhaust
Figure 11-210**

ITEM	PART NUMBER	QTY	LINE	SERIES	BODY	ENGINE	TRANS	TRIM	DESCRIPTION
		2	3, 7	L	02, 06	EX8	DGJ		
		2	3, 7	L	12, 15, 16	EX8	DGJ		



SPRINTER (VA)

SERIES	LINE	BODY	ENGINE	TRANSMISSION
L = LOWLINE	3 = HD DODGE 2WD 8 = HD DODGE 4WD 6 = Lt. Duty DODGE 4WD 2 = Med. Duty DODGE 2WD 7 = Med. Duty DODGE 4WD 4 = TRUCK	12 = Van 140" 51 = Wagon 118" 52 = Wagon 140" 14 = Van 118" 15 = Van 140" 16 = Van 158" 54 = Wagon 118" 55 = Wagon 140" 56 = Wagon 158" 01 = Chassis Forward Control 118" 02 = Chassis Forward Control 140" 06 = Front Section 158" 11 = Van 118"	EX8 = Engine - 2.7L I5 Mercedes-Benz TD	DGJ = Transmission - 5-Spd Auto, MB

AR = use ase required - = Non illustrated part

Group - 13

Frames and Bumpers

Group - 13 Frames and Bumpers

Illustration Title

Group-Fig. No.

Frames

Front Frame Rails	Fig. 13 - 105
Side Frame Rails and Crossmembers 2500	Fig. 13 - 110
Side Frame Rails and Crossmembers 3500	Fig. 13 - 120
Brackets, Frame To Body Supports.....	Fig. 13 - 130

Front Bumper and Fascia

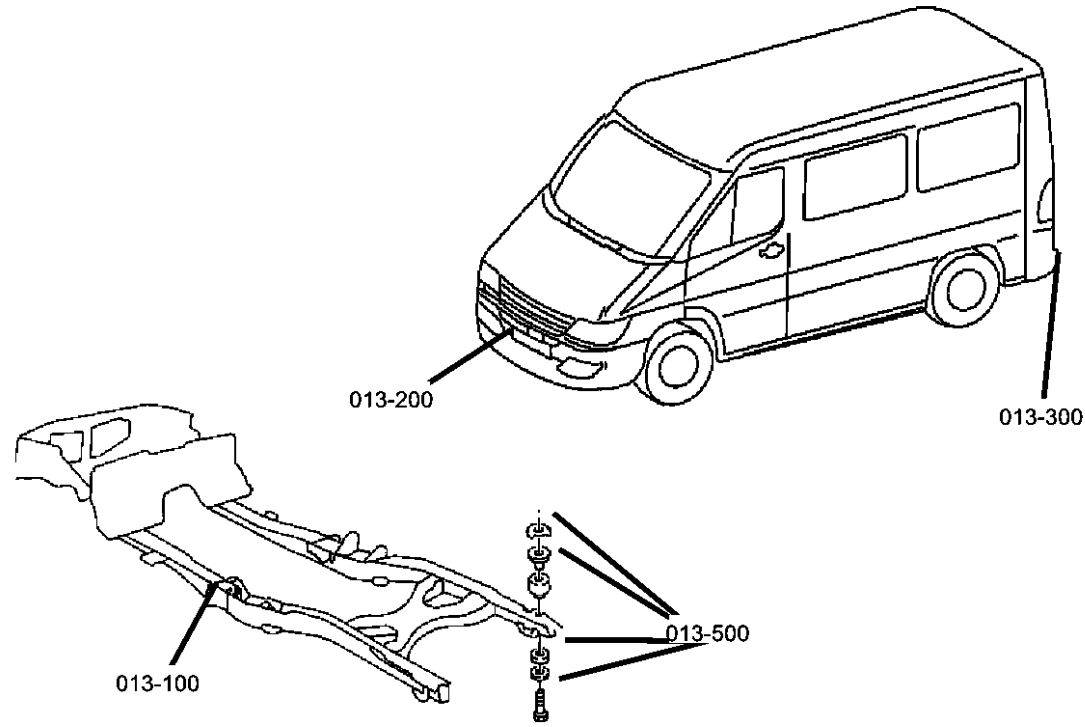
Bumper, Front	Fig. 13 - 230
---------------------	---------------

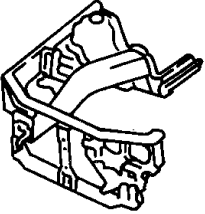
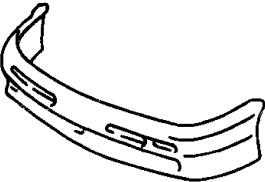

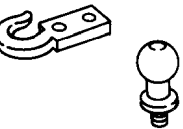
Rear Bumper and Fascia

Bumper, Rear.....	Fig. 13 - 320
-------------------	---------------

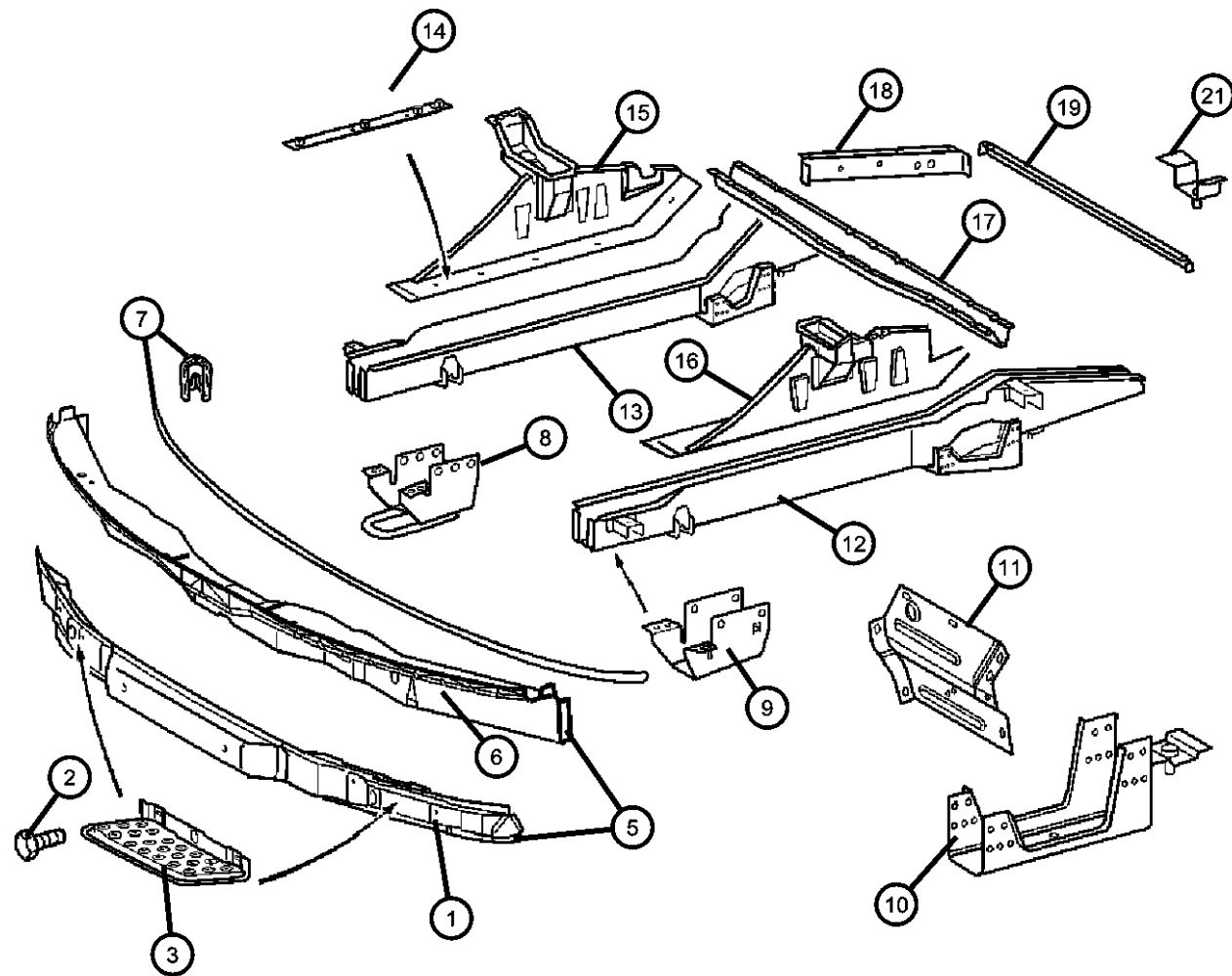
Trailer Tow

Rear Hitch	Fig. 13 - 610
Trailer Tow	Fig. 13 - 620



<p>013-100 Frames</p> 	<p>013-200 Front Bumper and Fascia</p> 	<p>013-300 Rear Bumper and Fascia</p> 	<p>013-600 Trailer Tow</p> 
--	---	---	---

Front Frame Rails
Figure 13-105



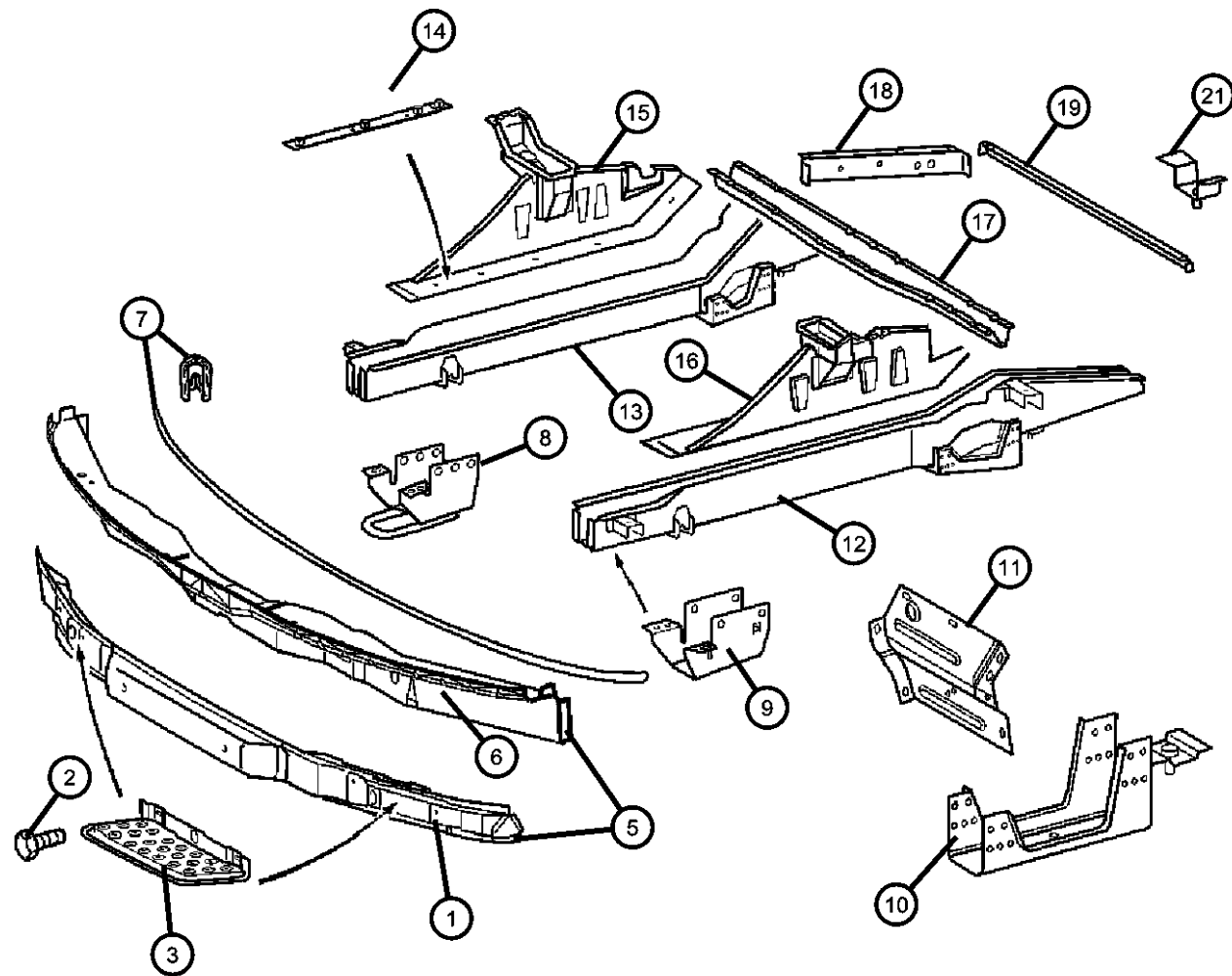
ITEM	PART NUMBER	QTY	LINE	SERIES	BODY	ENGINE	TRANS	TRIM	DESCRIPTION
1	05133848AA	1	2, 6	L	11, 12, 14, 15, 16				COVER, Crossmember
		1	2, 6	L	51, 52, 54, 55, 56				
		1	3, 7	L	02, 06				
		1	3, 7	L	12, 15, 16				
		1	2, 6	L	01, 02, 06				
2	05073723AB	4	2, 6	L	01, 02, 06				SCREW
		4	2, 6	L	11, 12, 14, 15, 16				
		4	2, 6	L	51, 52, 54, 55, 56				
		4	3, 7	L	02, 06				
		4	3, 7	L	12, 15, 16				
3	05104136AA	1	3, 7	L	02, 06				STEP, Left Side
		1	3, 7	L	12, 15, 16				
		1	2, 6	L	01, 02, 06				
		1	2, 6	L	11, 12, 14, 15, 16				
		1	2, 6	L	51, 52, 54, 55, 56				
-4	05104137AA	1	2, 6	L	01, 02, 06				STEP, Right Side
		1	2, 6	L	11, 12, 14, 15, 16				
		1	2, 6	L	51, 52, 54, 55, 56				
		1	3, 7	L	02, 06				
		1	3, 7	L	12, 15, 16				
5									REINFORCEMENT, Front Bumper

SPRINTER (VA)

SERIES	LINE	BODY	ENGINE	TRANSMISSION
L = LOWLINE	3 = HD DODGE 2WD 8 = HD DODGE 4WD 6 = Lt. Duty DODGE 4WD 2 = Med. Duty DODGE 2WD 7 = Med. Duty DODGE 4WD 4 = TRUCK	12 = Van 140" 51 = Wagon 118" 52 = Wagon 140" 14 = Van 118" 15 = Van 140" 16 = Van 158" 54 = Wagon 118" 55 = Wagon 140" 56 = Wagon 158"	EX8 = Engine - 2.7L I5 Mercedes-Benz TD	DGJ = Transmission - 5-Spd Auto, MB
		01 = Chassis Forward Control 118" 02 = Chassis Forward Control 140" 06 = Front Section 158" 11 = Van 118"		

AR = use ase required - = Non illustrated part

Front Frame Rails
Figure 13-105



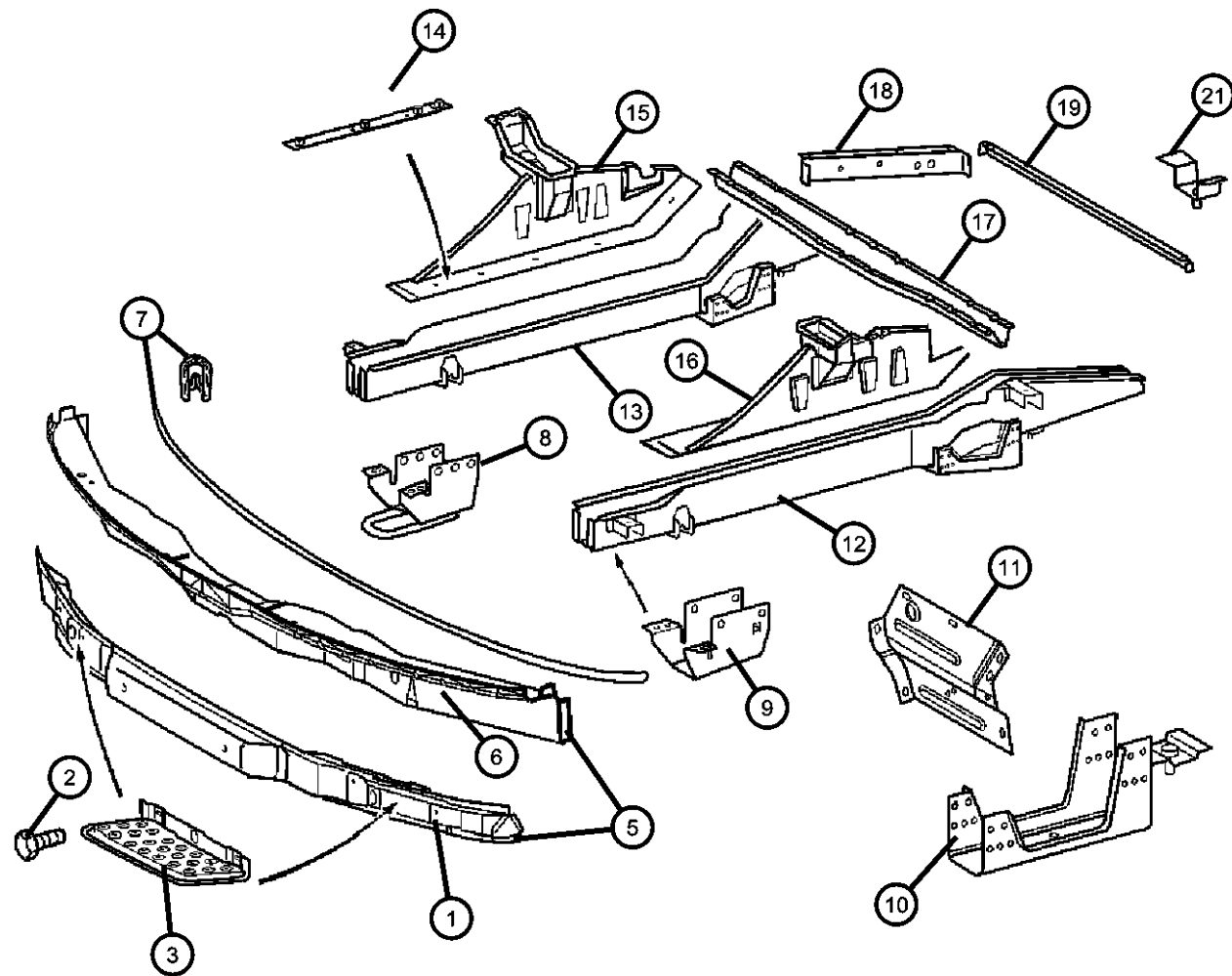
ITEM	PART NUMBER	QTY	LINE	SERIES	BODY	ENGINE	TRANS	TRIM	DESCRIPTION
	05104054AA	1	2, 6	L	01, 02, 06				
		1	2, 6	L	11, 12, 14, 15, 16				
		1	2, 6	L	51, 52, 54, 55, 56				
		1	3, 7	L	02, 06				
		1	3, 7	L	12, 15, 16				
6									REINFORCEMENT, Front Bumper
	05104054AA	1	2, 6	L	01, 02, 06				
		1	2, 6	L	11, 12, 14, 15, 16				
		1	2, 6	L	51, 52, 54, 55, 56				
		1	3, 7	L	02, 06				
		1	3, 7	L	12, 15, 16				
7									SEAL, Crossmember
	05123544AA	1	2, 6	L	01, 02, 06				
		1	2, 6	L	11, 12, 14, 15, 16				
		1	2, 6	L	51, 52, 54, 55, 56				
		1	3, 7	L	02, 06				
		1	3, 7	L	12, 15, 16				
8									HOOK, Tow
	05104053AA	1	7, 3	L	02, 06				
		1	3, 7	L	12, 15, 16				
		1	2, 6	L	01, 02, 06				
		1	2, 6	L	11, 12, 14, 15, 16				
		1	2, 6	L	51, 52, 54, 55, 56				
9									BRACKET, Frame Rail

SPRINTER (VA)

SERIES	LINE	BODY	ENGINE	TRANSMISSION
L = LOWLINE	3 = HD DODGE 2WD 8 = HD DODGE 4WD 6 = Lt. Duty DODGE 4WD 2 = Med. Duty DODGE 2WD 7 = Med. Duty DODGE 4WD 4 = TRUCK	12 = Van 140" 51 = Wagon 118" 52 = Wagon 140" 14 = Van 118" 15 = Van 140" 16 = Van 158" 54 = Wagon 118" 55 = Wagon 140" 56 = Wagon 158" 01 = Chassis Forward Control 118" 02 = Chassis Forward Control 140" 06 = Front Section 158" 11 = Van 118"	EX8 = Engine - 2.7L I5 Mercedes-Benz TD	DGJ = Transmission - 5-Spd Auto, MB

AR = use ase required - = Non illustrated part

Front Frame Rails
Figure 13-105



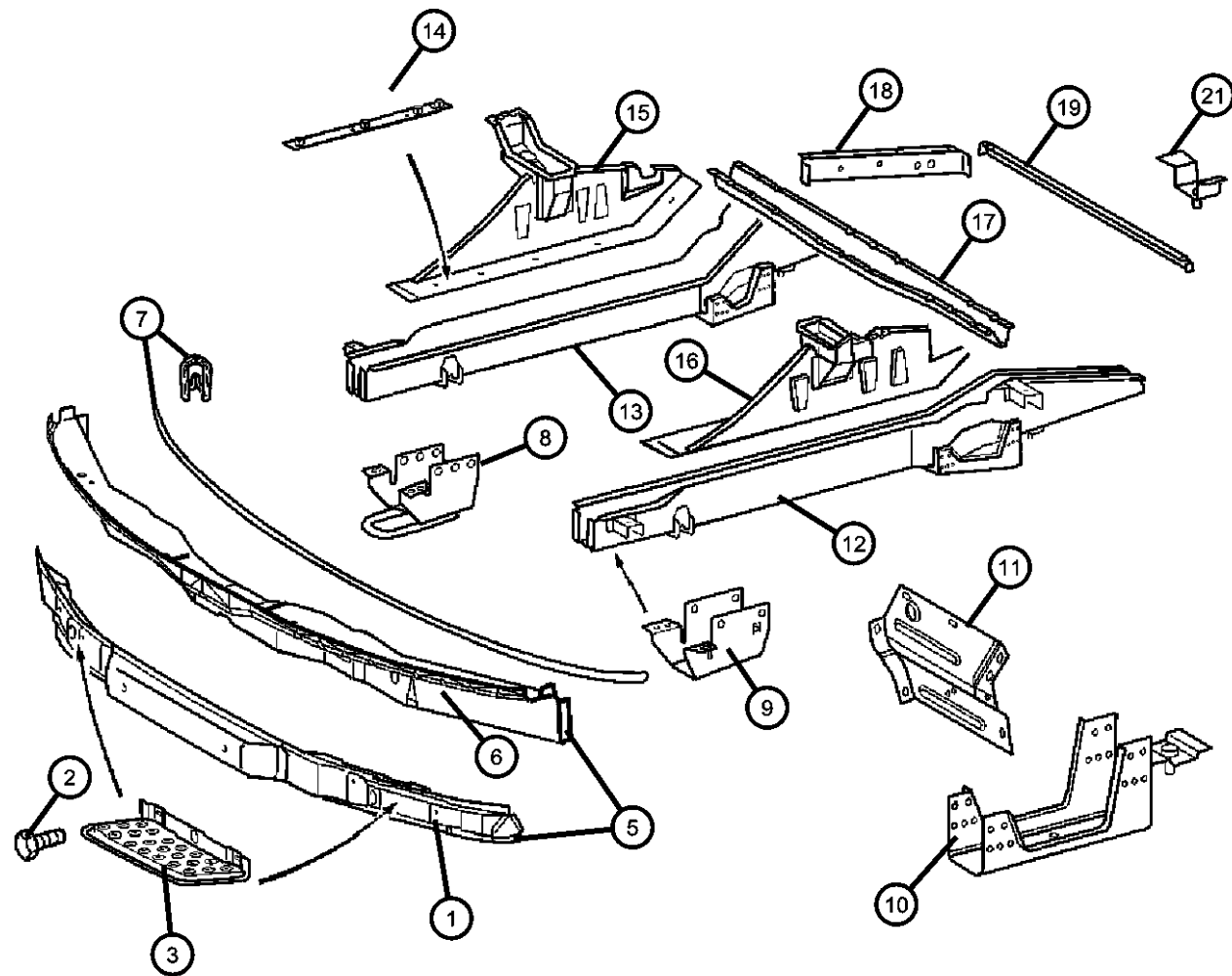
ITEM	PART NUMBER	QTY	LINE	SERIES	BODY	ENGINE	TRANS	TRIM	DESCRIPTION
	05118517AA	1	2, 6	L	01, 02, 06				
		1	2, 6	L	11, 12, 14, 15, 16				
		1	2, 6	L	51, 52, 54, 55, 56				
		1	3, 7	L	02, 06				
		1	3, 7	L	12, 15, 16				
10									REINFORCEMENT, Front Side Rail
	05104033AA	1	2, 6	L	01, 02, 06				Right
		1	2, 6	L	11, 12, 14, 15, 16				Right
	05117693AA	1	2, 6	L	11, 12, 14, 15, 16				Left
		1	2, 6	L	51, 52, 54, 55, 56				Left
		1	3, 7	L	02, 06				Left
		1	3, 7	L	12, 15, 16				Left
		1	2, 6	L	51, 52, 54, 55, 56				Right
		1	3, 7	L	02, 06				Right
		1	3, 7	L	12, 15, 16				Right
		1	2, 6	L	01, 02, 06				Left
11									REINFORCEMENT, Front Side Rail
	05118588AA	1	2, 6	L	01, 02, 06				
		1	2, 6	L	11, 12, 14, 15, 16				
		1	2, 6	L	51, 52, 54, 55, 56				
		1	3, 7	L	02, 06				
		1	3, 7	L	12, 15, 16				
12									RAIL, Frame Front

SPRINTER (VA)

SERIES	LINE	BODY	ENGINE	TRANSMISSION
L = LOWLINE	3 = HD DODGE 2WD	12 = Van 140"	EX8 = Engine - 2.7L I5	DGJ = Transmission - 5-Spd Auto, MB
	8 = HD DODGE 4WD	51 = Wagon 118"	Mercedes-Benz TD	
	6 = Lt. Duty DODGE 4WD	52 = Wagon 140"		
	2 = Med. Duty DODGE 2WD	14 = Van 118"		
	7 = Med. Duty DODGE 4WD	15 = Van 140"		
	4 = TRUCK	16 = Van 158"		
		54 = Wagon 118"		
		55 = Wagon 140"		
		56 = Wagon 158"		
		01 = Chassis Forward Control 118"		
		02 = Chassis Forward Control 140"		
		06 = Front Section 158"		
		11 = Van 118"		

AR = use ase required - = Non illustrated part

Front Frame Rails
Figure 13-105



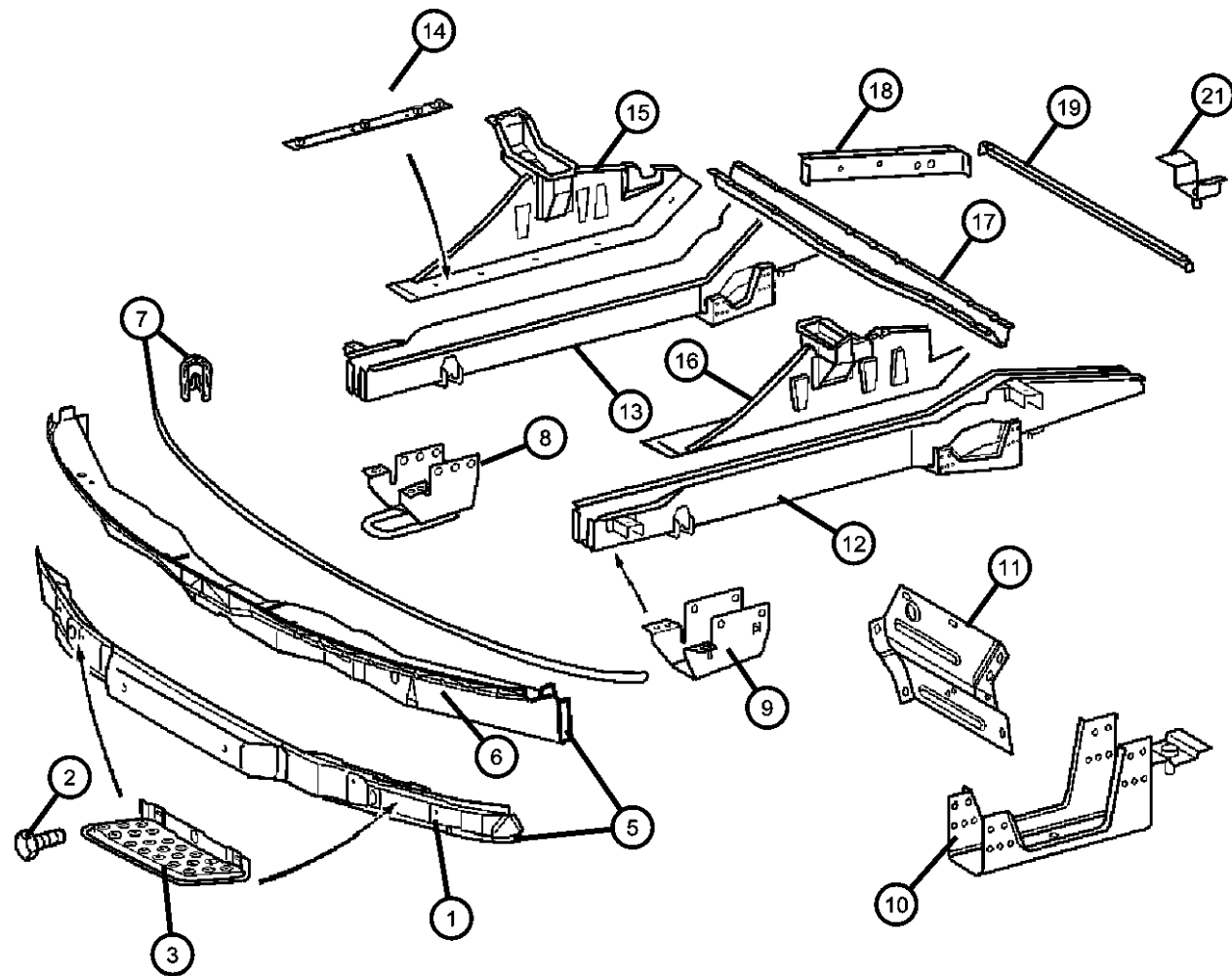
ITEM	PART NUMBER	QTY	LINE	SERIES	BODY	ENGINE	TRANS	TRIM	DESCRIPTION
	05104055AA	1	3, 7	L	12, 15, 16				
		1	2, 6	L	01, 02, 06				
		1	2, 6	L	11, 12, 14, 15, 16				
		1	2, 6	L	51, 52, 54, 55, 56				
		1	3, 7	L	02, 06				
13									RAIL, Frame Front
	05104052AA	1	2, 6	L	11, 12, 14, 15, 16				
		1	2, 6	L	51, 52, 54, 55, 56				
		1	3, 7	L	02, 06				
		1	3, 7	L	12, 15, 16				
		1	2, 6	L	01, 02, 06				
14									REINFORCEMENT, Rail Front
	05118290AA	2	2, 6	L	01, 02, 06				
		2	2, 6	L	11, 12, 14, 15, 16				
		2	2, 6	L	51, 52, 54, 55, 56				
		2	3, 7	L	02, 06				
		2	3, 7	L	12, 15, 16				
15									SUPPORT, Under Body Hold Down
	05118252AA	1	2, 6	L	01, 02, 06				Right
		1	2, 6	L	11, 12, 14, 15, 16				Right
		1	2, 6	L	51, 52, 54, 55, 56				Right
		1	3, 7	L	02, 06				Right
		1	3, 7	L	12, 15, 16				Right
16									SUPPORT, Under Body Hold Down

SPRINTER (VA)

SERIES	LINE	BODY	ENGINE	TRANSMISSION
L = LOWLINE	3 = HD DODGE 2WD	12 = Van 140"	EX8 = Engine - 2.7L I5	DGJ = Transmission - 5-Spd Auto, MB
	8 = HD DODGE 4WD	51 = Wagon 118"	Mercedes-Benz TD	
	6 = Lt. Duty DODGE 4WD	52 = Wagon 140"		
	2 = Med. Duty DODGE 2WD	14 = Van 118"		
	7 = Med. Duty DODGE 4WD	15 = Van 140"		
	4 = TRUCK	16 = Van 158"		
		54 = Wagon 118"		
		55 = Wagon 140"		
		56 = Wagon 158"		
		01 = Chassis Forward Control		
		118"		
		02 = Chassis Forward Control		
		140"		
		06 = Front Section 158"		
		11 = Van 118"		

AR = use ase required - = Non illustrated part

Front Frame Rails
Figure 13-105



ITEM	PART NUMBER	QTY	LINE	SERIES	BODY	ENGINE	TRANS	TRIM	DESCRIPTION
	05104049AA	1	2, 6	L	01, 02, 06				Left
		1	2, 6	L	11, 12, 14, 15, 16				Left
		1	2, 6	L	51, 52, 54, 55, 56				Left
		1	3, 7	L	02, 06				Left
		1	3, 7	L	12, 15, 16				Left
17									CROSSMEMBER, Front Seat Retention
	05118385AA	1	2, 6	L	01, 02, 06				
		1	2, 6	L	11, 12, 14, 15, 16				
		1	2, 6	L	51, 52, 54, 55, 56				
		1	3, 7	L	02, 06				
		1	3, 7	L	12, 15, 16				
18									REINFORCEMENT, Wheelhouse
	05118015AA	2	2, 6	L	01, 02, 06				
		2	2, 6	L	11, 12, 14, 15, 16				
		2	2, 6	L	51, 52, 54, 55, 56				
		2	3, 7	L	02, 06				
		2	3, 7	L	12, 15, 16				
19									CROSSMEMBER, Front Floor
	05118091AA	1	2, 6	L	01, 02, 06				
		1	2, 6	L	11, 12, 14, 15, 16				
		1	2, 6	L	51, 52, 54, 55, 56				
		1	3, 7	L	02, 06				
		1	3, 7	L	12, 15, 16				

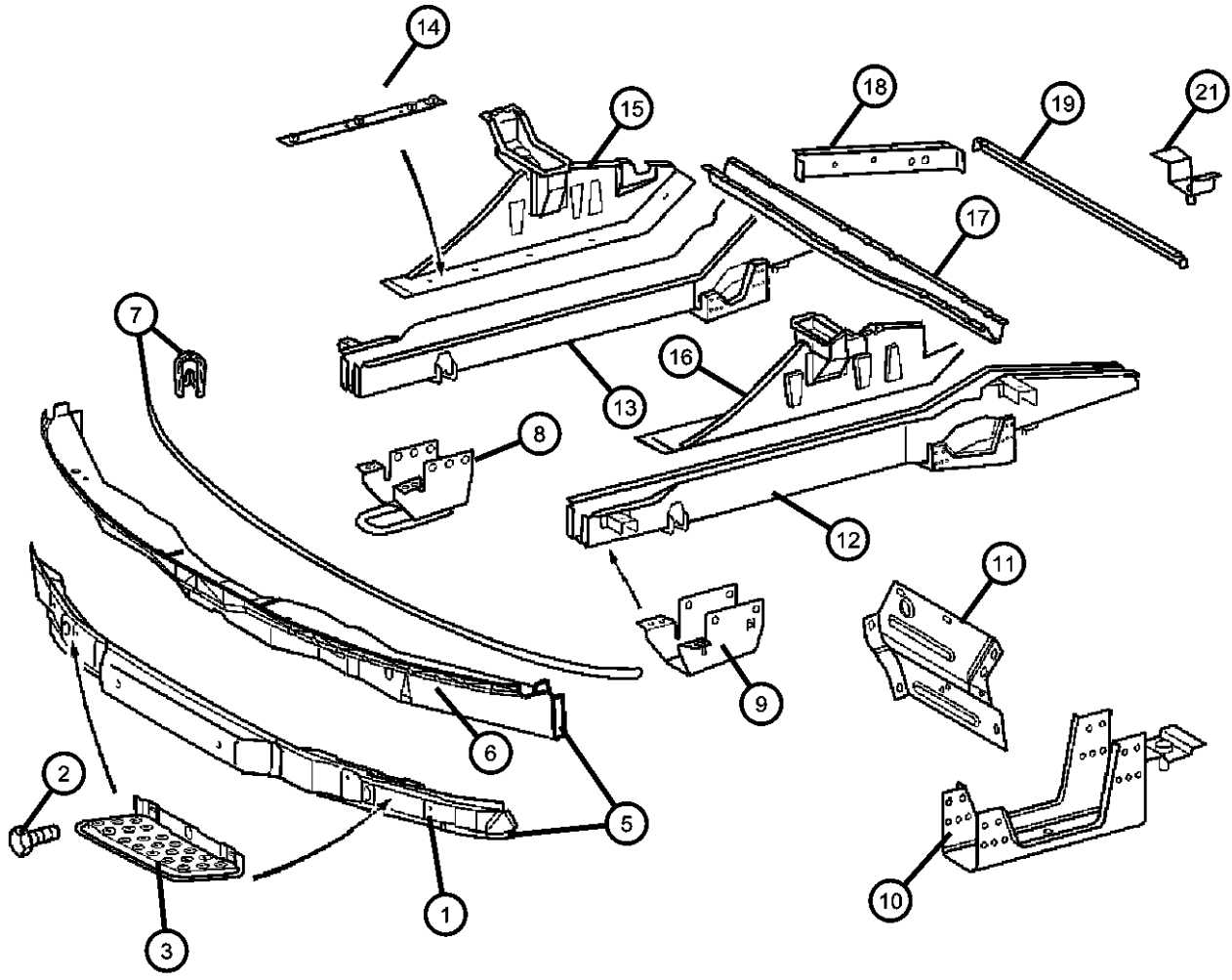
SPRINTER (VA)

SERIES	LINE	BODY	ENGINE	TRANSMISSION
L = LOWLINE	3 = HD DODGE 2WD 8 = HD DODGE 4WD 6 = Lt. Duty DODGE 4WD 2 = Med. Duty DODGE 2WD 7 = Med. Duty DODGE 4WD 4 = TRUCK	12 = Van 140" 51 = Wagon 118" 52 = Wagon 140" 14 = Van 118" 15 = Van 140" 16 = Van 158" 54 = Wagon 118" 55 = Wagon 140" 56 = Wagon 158"	EX8 = Engine - 2.7L I5 Mercedes-Benz TD	DGJ = Transmission - 5-Spd Auto, MB
		01 = Chassis Forward Control 118" 02 = Chassis Forward Control 140" 06 = Front Section 158" 11 = Van 118"		

AR = use ase required - = Non illustrated part

Front Frame Rails
Figure 13-105

ITEM	PART NUMBER	QTY	LINE	SERIES	BODY	ENGINE	TRANS	TRIM	DESCRIPTION
-20									BRACKET, Aux A/C And Heater Line
	05127245AA	1	2, 6	L	11, 12, 14, 15, 16				
		1	2, 6	L	51, 52, 54, 55, 56				
		1	7, 3	L	12, 15, 16				
21									BRACKET
	05127241AA	1	2, 6	L	11, 12, 14, 15, 16				
		1	2, 6	L	51, 52, 54, 55, 56				
		1	3, 7	L	12, 15, 16				

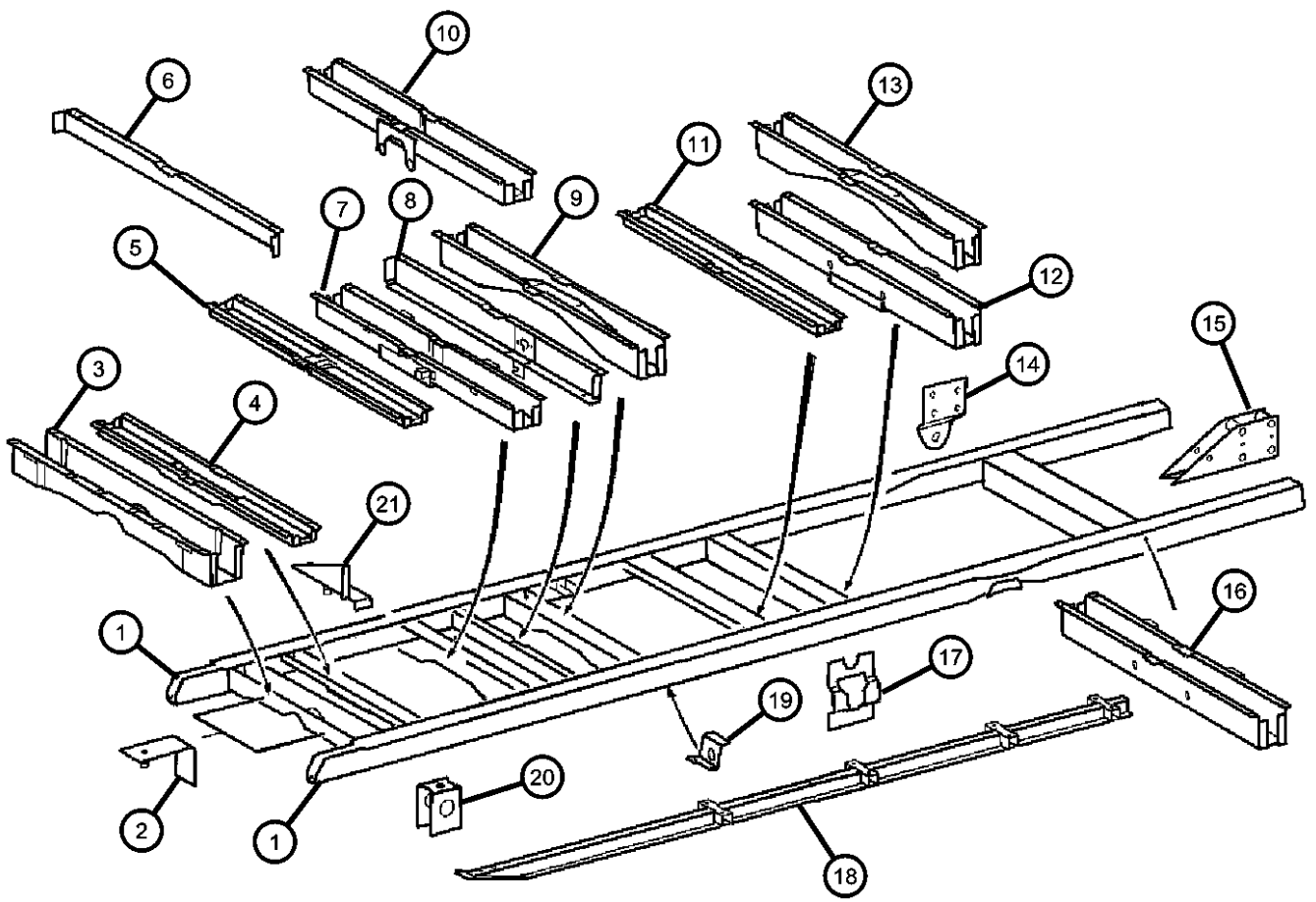


SPRINTER (VA)

SERIES	LINE	BODY	ENGINE	TRANSMISSION
L = LOWLINE	3 = HD DODGE 2WD 8 = HD DODGE 4WD 6 = Lt. Duty DODGE 4WD 2 = Med. Duty DODGE 2WD 7 = Med. Duty DODGE 4WD 4 = TRUCK	12 = Van 140" 51 = Wagon 118" 52 = Wagon 140" 14 = Van 118" 15 = Van 140" 16 = Van 158" 54 = Wagon 118" 55 = Wagon 140" 56 = Wagon 158" 01 = Chassis Forward Control 118" 02 = Chassis Forward Control 140" 06 = Front Section 158" 11 = Van 118"	EX8 = Engine - 2.7L I5 Mercedes-Benz TD	DGJ = Transmission - 5-Spd Auto, MB

AR = use ase required - = Non illustrated part

Side Frame Rails and Crossmembers 2500
Figure 13-110



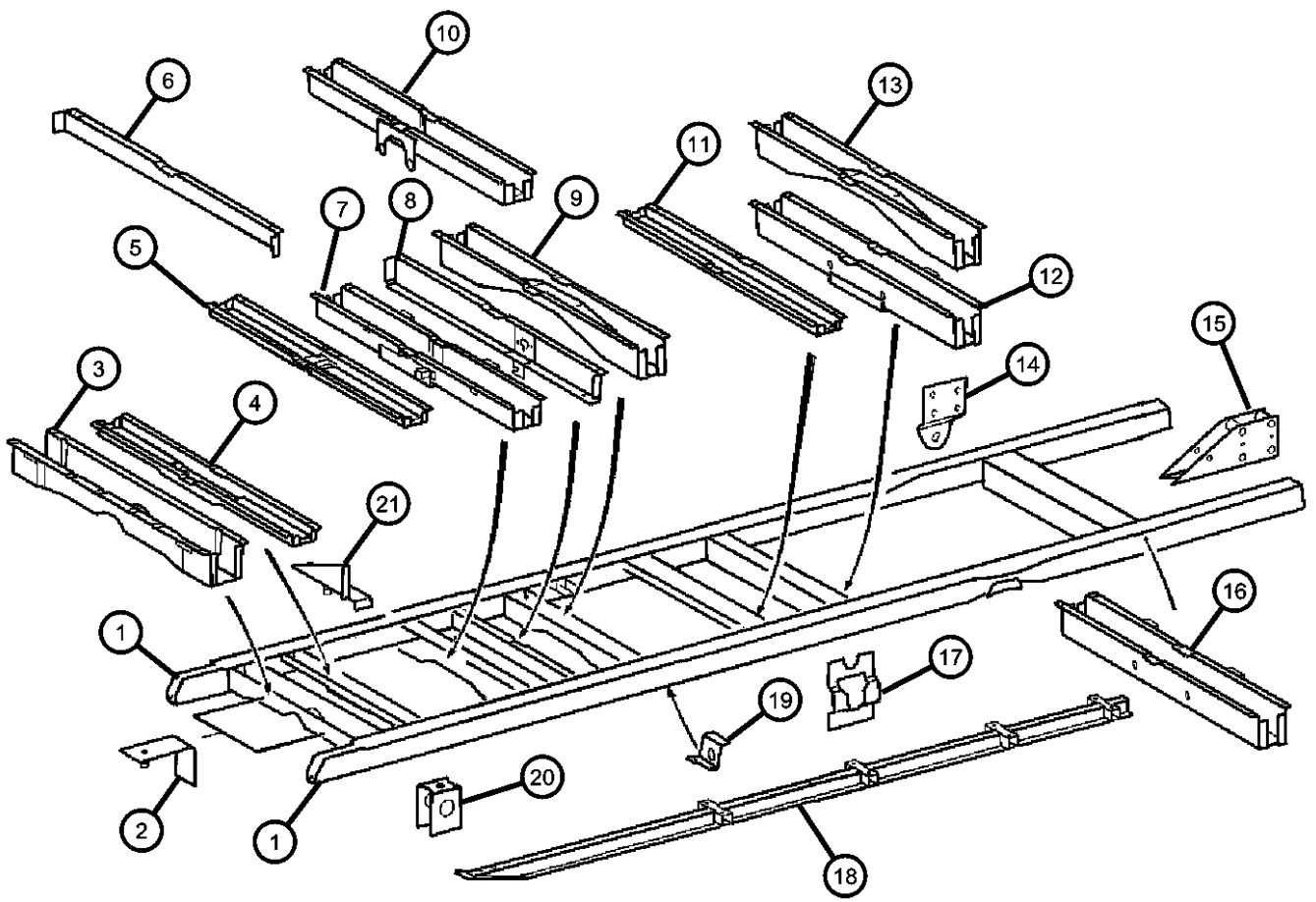
ITEM	PART NUMBER	QTY	LINE	SERIES	BODY	ENGINE	TRANS	TRIM	DESCRIPTION
1									RAIL, Frame Side
		05118082AA	1	3, 7	L	06			Left
			1	3, 7	L	16			Left
		05104554AA	1	2, 6	L	16			Right
			1	2, 6	L	56			Right
		05104555AA	1	2, 6	L	16			Left
			1	2, 6	L	56			Left
		05118059AA	1	3, 7	L	02			Right
		05118063AA	1	3, 7	L	06			Right
			1	3, 7	L	16			Right
2		05118078AA	1	3, 7	L	02			Left
									BRACKET, Frame
		05127243AA	1	2, 6	L	11, 12, 14, 15, 16			
3			1	2, 6	L	51, 52, 54, 55, 56			
			1	3, 7	L	12, 15, 16			
		05118162AA	1	2, 6	L	01, 02, 06			CROSSMEMBER, Front Frame
4			1	2, 6	L	11, 12, 14, 15, 16			
			1	2, 6	L	51, 52, 54, 55, 56			
		05118152AA	1	2, 6	L	01, 06			CROSSMEMBER, Front Frame
			1	2, 6	L	11, 14			
5			1	2, 6	L	51, 54			
			1	3, 7	L	06			
			1	3, 7	L	12, 15, 16			
									CROSSMEMBER, Front Frame

SPRINTER (VA)

SERIES	LINE	BODY	ENGINE	TRANSMISSION
L = LOWLINE	3 = HD DODGE 2WD 8 = HD DODGE 4WD 6 = Lt. Duty DODGE 4WD 2 = Med. Duty DODGE 2WD 7 = Med. Duty DODGE 4WD 4 = TRUCK	12 = Van 140" 51 = Wagon 118" 52 = Wagon 140" 14 = Van 118" 15 = Van 140" 16 = Van 158" 54 = Wagon 118" 55 = Wagon 140" 56 = Wagon 158"	EX8 = Engine - 2.7L I5 Mercedes-Benz TD	DGJ = Transmission - 5-Spd Auto, MB
		01 = Chassis Forward Control 118" 02 = Chassis Forward Control 140" 06 = Front Section 158" 11 = Van 118"		

AR = use ase required - = Non illustrated part

Side Frame Rails and Crossmembers 2500
Figure 13-110



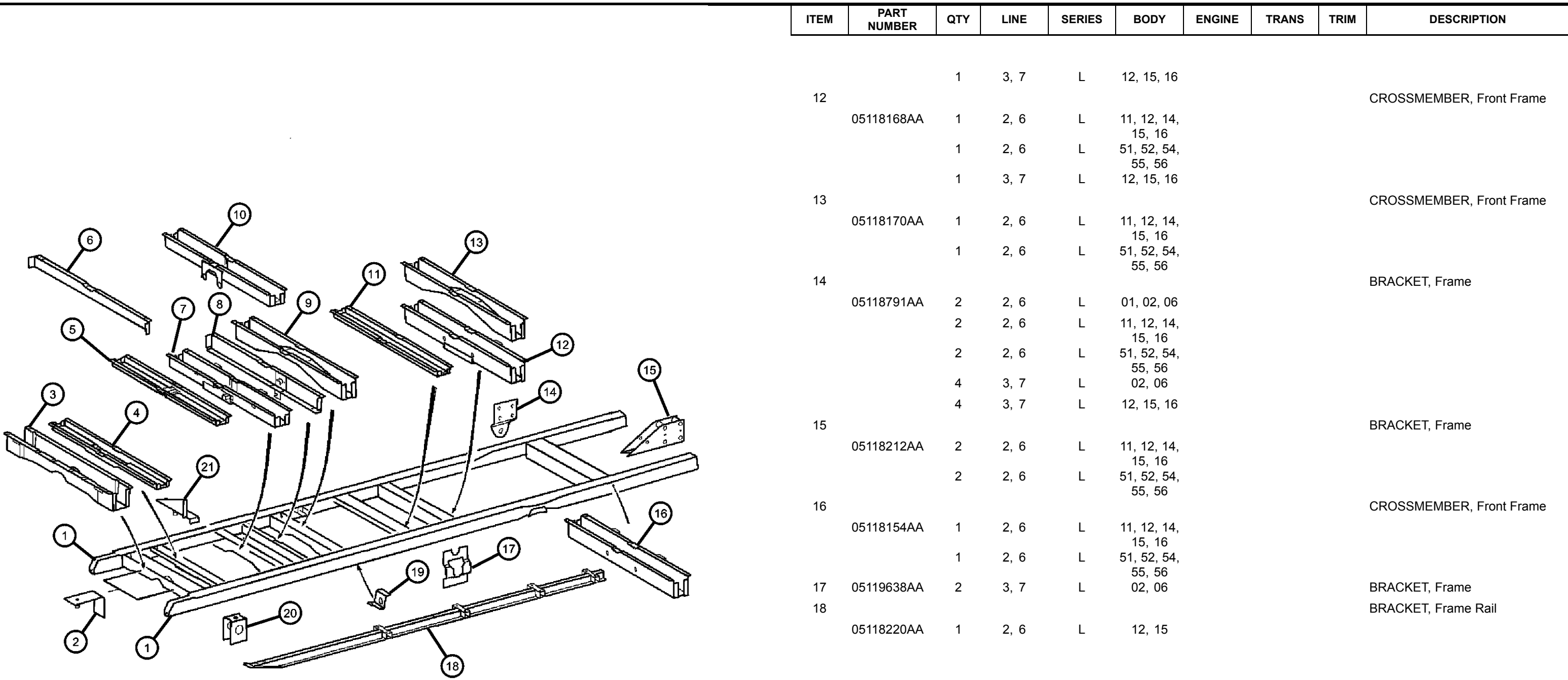
ITEM	PART NUMBER	QTY	LINE	SERIES	BODY	ENGINE	TRANS	TRIM	DESCRIPTION
	05118142AA	1	2, 6	L	11, 12, 14, 15				
		1	2, 6	L	51, 52, 54, 55, 56				
		1	3, 7	L	12, 15, 16				
6		1							CROSSMEMBER, Front Frame, (NOT SERVICED)
7									CROSSMEMBER, Front Frame
	05118097AA	1	2, 6	L	11, 12, 14, 15				
		1	2, 6	L	51, 52, 54, 55				
		1	3, 7	L	12, 15				
8									CROSSMEMBER, Front Frame
	05118136AA	1	2, 6	L	01, 02				
		1	2, 6	L	11, 12, 14, 15				
		1	2, 6	L	51, 52, 54, 55, 56				
		1	3, 7	L	02				
		1	3, 7	L	12, 15				
9									CROSSMEMBER, Front Frame
	05118149AA	1	2, 6	L	11, 12, 14, 15				
		1	2, 6	L	51, 54				
10									CROSSMEMBER, Front Frame
	05118160AA	1	2, 6	L	11, 12, 14, 15, 16				
		1	2, 6	L	51, 52, 54, 55, 56				
11									CROSSMEMBER, Front Frame
	05118144AA	1	2, 6	L	11, 14				
		1	2, 6	L	51, 54				

SPRINTER (VA)

SERIES	LINE	BODY	ENGINE	TRANSMISSION
L = LOWLINE	3 = HD DODGE 2WD	12 = Van 140"	EX8 = Engine - 2.7L I5	DGJ = Transmission - 5-Spd Auto, MB
	8 = HD DODGE 4WD	51 = Wagon 118"	Mercedes-Benz TD	
	6 = Lt. Duty DODGE 4WD	52 = Wagon 140"		
	2 = Med. Duty DODGE 2WD	14 = Van 118"		
	7 = Med. Duty DODGE 4WD	15 = Van 140"		
	4 = TRUCK	16 = Van 158"		
		54 = Wagon 118"		
		55 = Wagon 140"		
		56 = Wagon 158"		
		01 = Chassis Forward Control 118"		
		02 = Chassis Forward Control 140"		
		06 = Front Section 158"		
		11 = Van 118"		

AR = use ase required - = Non illustrated part

Side Frame Rails and Crossmembers 2500
Figure 13-110



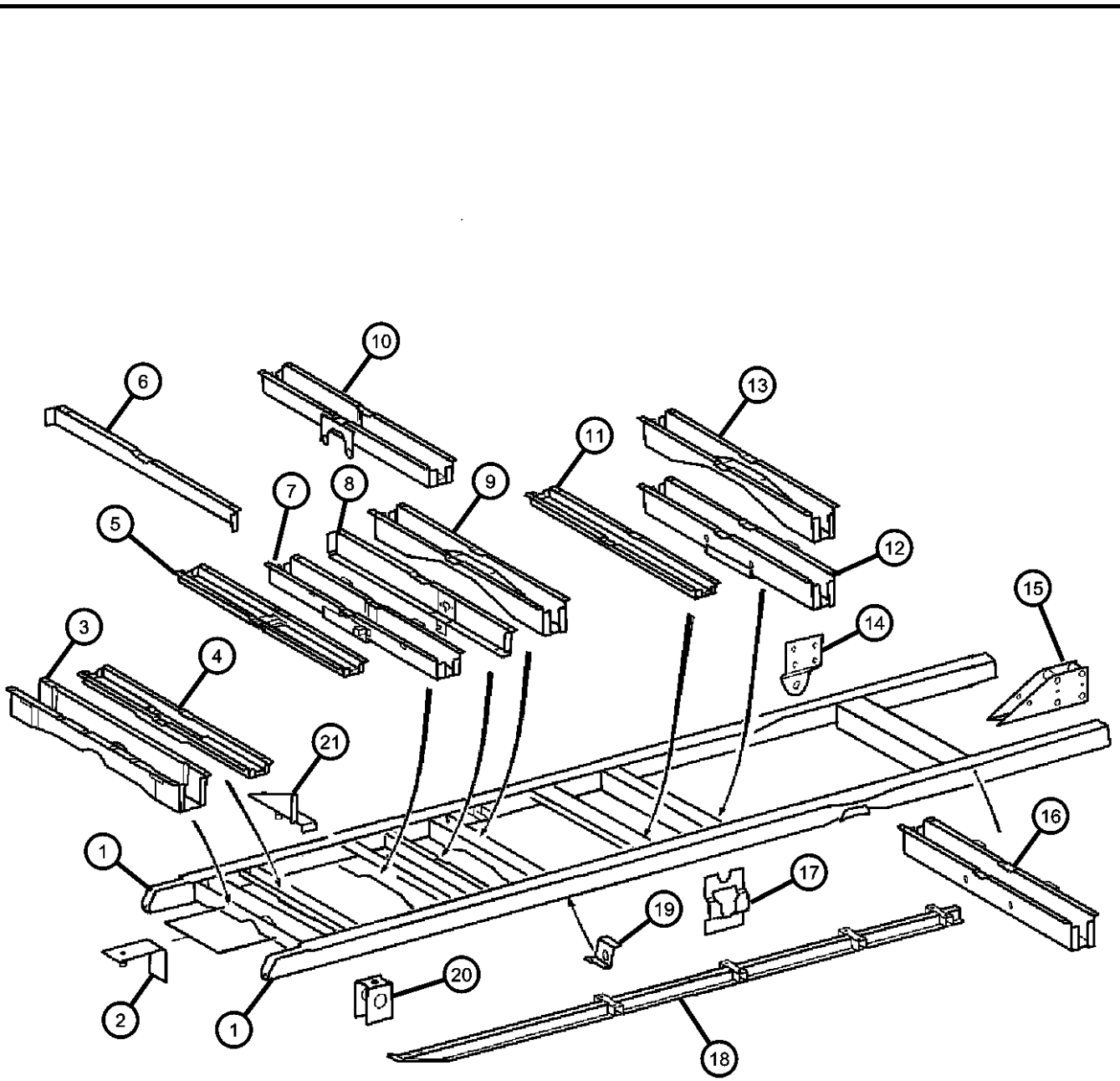
ITEM	PART NUMBER	QTY	LINE	SERIES	BODY	ENGINE	TRANS	TRIM	DESCRIPTION
12		1	3, 7	L	12, 15, 16				CROSSMEMBER, Front Frame
	05118168AA	1	2, 6	L	11, 12, 14, 15, 16				
		1	2, 6	L	51, 52, 54, 55, 56				
13		1	3, 7	L	12, 15, 16				CROSSMEMBER, Front Frame
	05118170AA	1	2, 6	L	11, 12, 14, 15, 16				
		1	2, 6	L	51, 52, 54, 55, 56				
14		2	2, 6	L	01, 02, 06				BRACKET, Frame
	05118791AA	2	2, 6	L	11, 12, 14, 15, 16				
		2	2, 6	L	51, 52, 54, 55, 56				
		4	3, 7	L	02, 06				
		4	3, 7	L	12, 15, 16				
15		2	2, 6	L	11, 12, 14, 15, 16				BRACKET, Frame
	05118212AA	2	2, 6	L	51, 52, 54, 55, 56				
16		1	2, 6	L	11, 12, 14, 15, 16				CROSSMEMBER, Front Frame
	05118154AA	1	2, 6	L	51, 52, 54, 55, 56				
17	05119638AA	2	3, 7	L	02, 06				BRACKET, Frame
18	05118220AA	1	2, 6	L	12, 15				BRACKET, Frame Rail

SPRINTER (VA)

SERIES	LINE	BODY	ENGINE	TRANSMISSION
L = LOWLINE	3 = HD DODGE 2WD 8 = HD DODGE 4WD 6 = Lt. Duty DODGE 4WD 2 = Med. Duty DODGE 2WD 7 = Med. Duty DODGE 4WD 4 = TRUCK	12 = Van 140" 51 = Wagon 118" 52 = Wagon 140" 14 = Van 118" 15 = Van 140" 16 = Van 158" 54 = Wagon 118" 55 = Wagon 140" 56 = Wagon 158" 01 = Chassis Forward Control 118" 02 = Chassis Forward Control 140" 06 = Front Section 158" 11 = Van 118"	EX8 = Engine - 2.7L I5 Mercedes-Benz TD	DGJ = Transmission - 5-Spd Auto, MB

AR = use ase required - = Non illustrated part

Side Frame Rails and Crossmembers 2500
Figure 13-110



ITEM	PART NUMBER	QTY	LINE	SERIES	BODY	ENGINE	TRANS	TRIM	DESCRIPTION
		1	2, 6	L	11, 12, 14, 15				
		1	2, 6	L	52, 55				
		1	3, 7	L	12, 15, 16				
19									BRACKET, Frame
	05119321AA	1	2, 6	L	01, 02, 06				
		1	2, 6	L	11, 12, 14, 15, 16				
		1	2, 6	L	51, 52, 54, 55, 56				
20									SUPPORT, Under Body Hold Down
	05118266AA	4	2, 6	L	11, 12, 14, 15, 16				
		8	2, 6	L	12, 15				
		4	2, 6	L	11, 14				
		4	2, 6	L	51, 52, 54, 55, 56				
		4	2, 6	L	51, 54				
		8	2, 6	L	52, 55				
21									BRACKET, Frame
	05127246AA	2	2, 6	L	51, 52, 54, 55, 56				
		2	3, 7	L	12, 15, 16				
		2	2, 6	L	11, 12, 14, 15, 16				

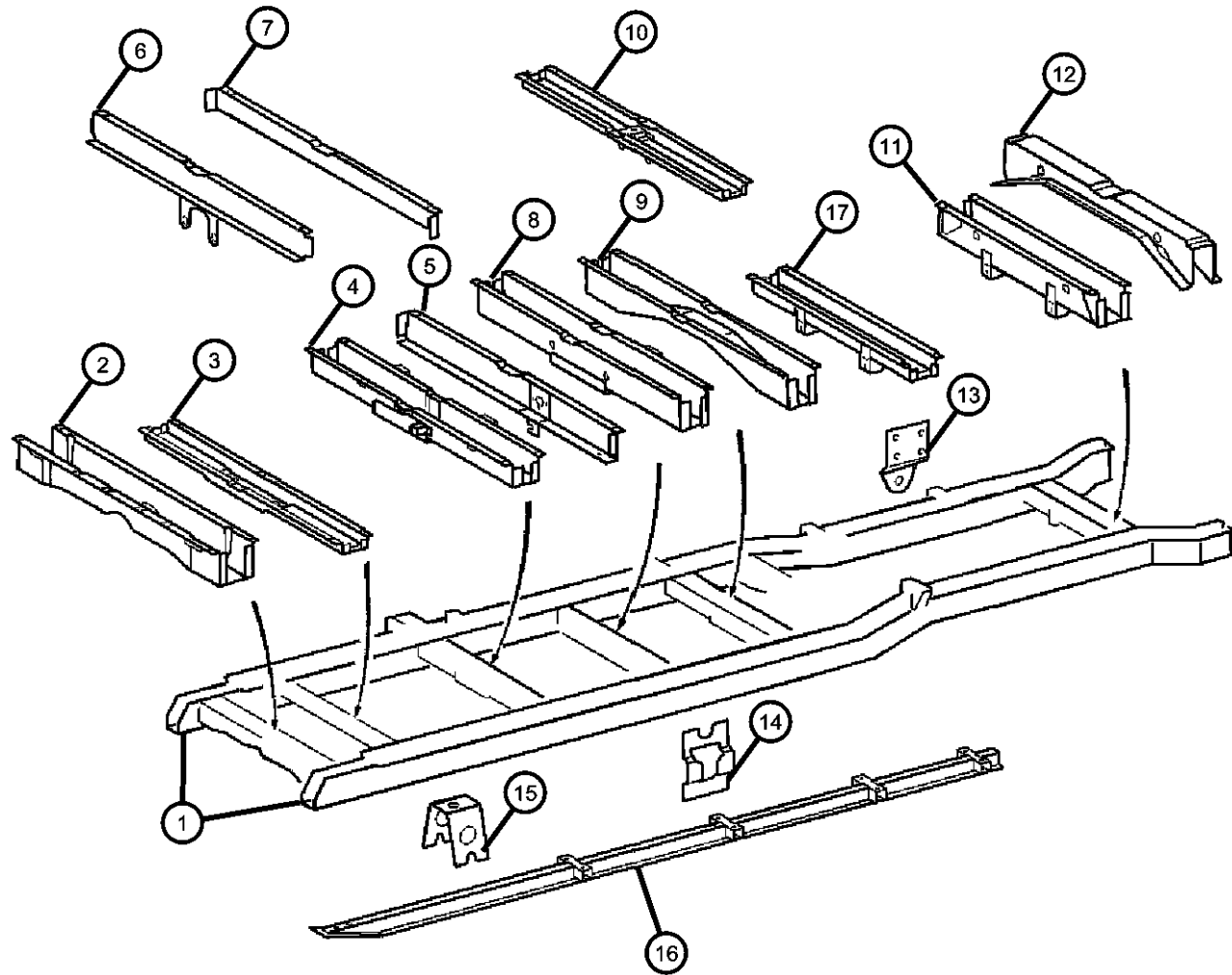
SPRINTER (VA)

SERIES	LINE	BODY	ENGINE	TRANSMISSION
L = LOWLINE	3 = HD DODGE 2WD	12 = Van 140"	EX8 = Engine - 2.7L I5	DGJ = Transmission - 5-Spd Auto, MB
	8 = HD DODGE 4WD	51 = Wagon 118"	Mercedes-Benz TD	
	6 = Lt. Duty DODGE 4WD	52 = Wagon 140"		
	2 = Med. Duty DODGE 2WD	14 = Van 118"		
	7 = Med. Duty DODGE 4WD	15 = Van 140"		
	4 = TRUCK	16 = Van 158"		
		54 = Wagon 118"		
		55 = Wagon 140"		
		56 = Wagon 158"		
		01 = Chassis Forward Control 118"		
		02 = Chassis Forward Control 140"		
		06 = Front Section 158"		
		11 = Van 118"		

AR = use ase required - = Non illustrated part

Side Frame Rails and Crossmembers 3500
Figure 13-120

ITEM	PART NUMBER	QTY	LINE	SERIES	BODY	ENGINE	TRANS	TRIM	DESCRIPTION
1	05118082AA	1	3, 7	L	06				RAIL, Frame Side, 05118063aa Lt.
		1	3, 7	L	16				
2	05118178AA	1	3, 7	L	02, 06				CROSSMEMBER, Front Frame
		1	3, 7	L	12, 15, 16				
3	05118097AA	1	2, 6	L	11, 12, 14, 15				CROSSMEMBER, Front Frame
		1	2, 6	L	51, 52, 54, 55				
		1	3, 7	L	12, 15				
4	05118097AA	1	2, 6	L	11, 12, 14, 15				CROSSMEMBER, Front Frame
		1	2, 6	L	51, 52, 54, 55				
		1	3, 7	L	12, 15				
5	05118136AA	1	6, 2	L	01, 02				CROSSMEMBER, Front Frame
		1	2, 6	L	11, 12, 14, 15				
		1	2, 6	L	51, 52, 54, 55, 56				
		1	3, 7	L	02				
		1	3, 7	L	12, 15				
6	05118182AA	1	3, 7	L	02, 06				CROSSMEMBER, Rear Frame
		1	3, 7	L	12, 15, 16				
7		1							CROSSMEMBER, Front Frame, (NOT SERVICED)
8									CROSSMEMBER, Front Frame



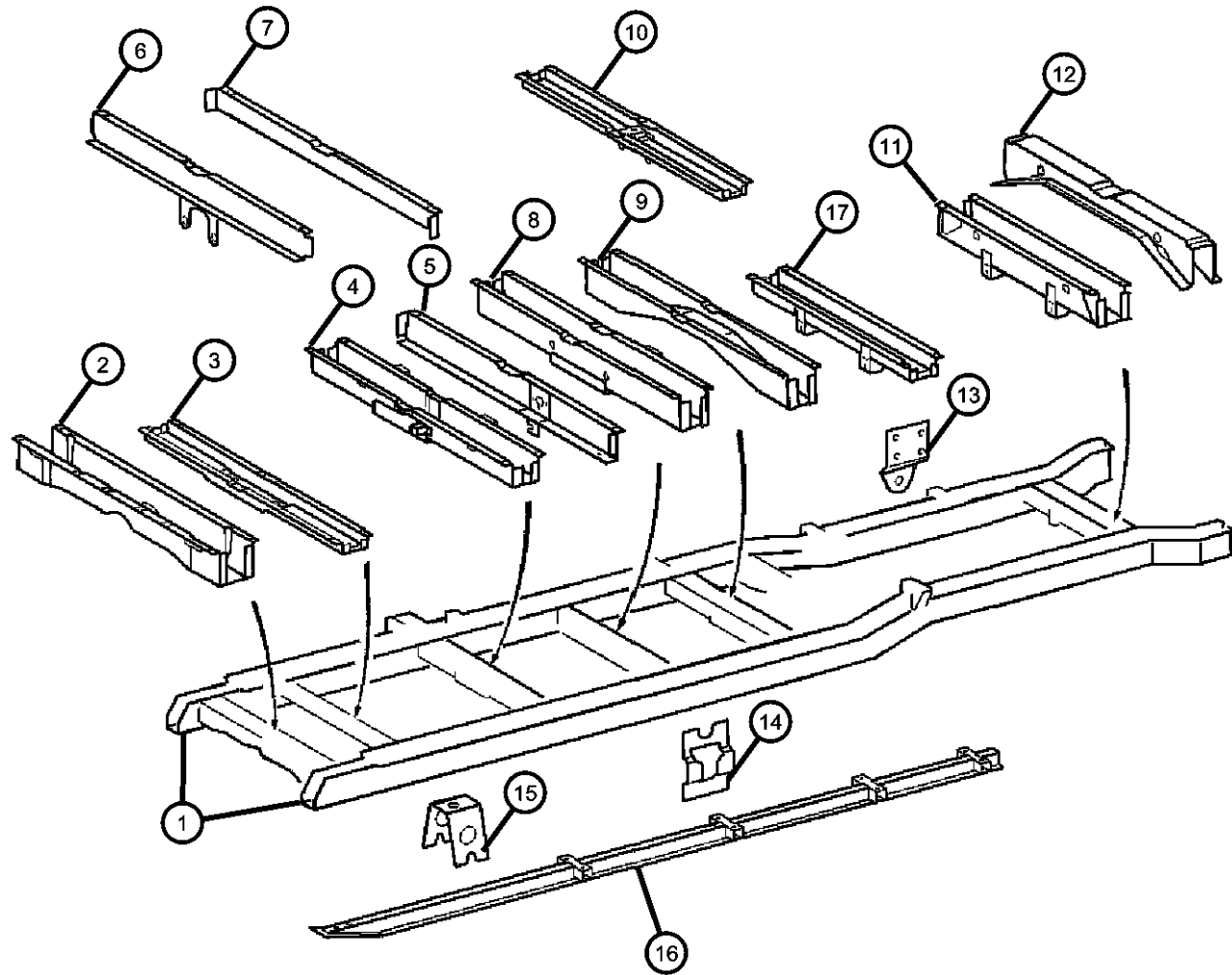
SPRINTER (VA)

SERIES	LINE	BODY	ENGINE	TRANSMISSION
L = LOWLINE	3 = HD DODGE 2WD 8 = HD DODGE 4WD 6 = Lt. Duty DODGE 4WD 2 = Med. Duty DODGE 2WD 7 = Med. Duty DODGE 4WD 4 = TRUCK	12 = Van 140" 51 = Wagon 118" 52 = Wagon 140" 14 = Van 118" 15 = Van 140" 16 = Van 158" 54 = Wagon 118" 55 = Wagon 140" 56 = Wagon 158" 01 = Chassis Forward Control 118" 02 = Chassis Forward Control 140" 06 = Front Section 158" 11 = Van 118"	EX8 = Engine - 2.7L I5 Mercedes-Benz TD	DGJ = Transmission - 5-Spd Auto, MB

AR = use ase required - = Non illustrated part

Side Frame Rails and Crossmembers 3500

Figure 13-120



ITEM	PART NUMBER	QTY	LINE	SERIES	BODY	ENGINE	TRANS	TRIM	DESCRIPTION
	05118149AA	1	2, 6	L	11, 12, 14, 15				
9		1	2, 6	L	51, 54				CROSSMEMBER, Front Frame
	05118170AA	1	2, 6	L	11, 12, 14, 15, 16				
10		1	2, 6	L	51, 52, 54, 55, 56				CROSSMEMBER, Front Frame
	05118142AA	1	2, 6	L	11, 12, 14, 15				
		1	2, 6	L	51, 52, 54, 55, 56				
11		1	3, 7	L	12, 15, 16				CROSSMEMBER, Rear Frame
	05118182AA	1	3, 7	L	02, 06				
		1	3, 7	L	12, 15, 16				
12	05140685AA	1	3, 7	L	06				[5AF+TBN+WDG+4JR] CROSSMEMBER, Shock Mount
	05118174AA	1	3, 7	L	02, 06				
		1	3, 7	L	12, 15, 16				
13									BRACKET, Frame
	05118791AA	2	2, 6	L	01, 02, 06				
		2	2, 6	L	11, 12, 14, 15, 16				
		2	2, 6	L	51, 52, 54, 55, 56				
		4	3, 7	L	02, 06				
		4	3, 7	L	12, 15, 16				
14									BRACKET, Frame
	05119638AA	1	3, 7	L	02, 06				
		1	3, 7	L	12, 15, 16				

SPRINTER (VA)

SERIES

L = LOWLINE

LINE

3 = HD DODGE 2WD
 8 = HD DODGE 4WD
 6 = Lt. Duty DODGE 4WD
 2 = Med. Duty DODGE 2WD
 7 = Med. Duty DODGE 4WD
 4 = TRUCK

BODY

12 = Van 140"
 51 = Wagon 118"
 52 = Wagon 140"
 14 = Van 118"
 15 = Van 140"
 16 = Van 158"
 54 = Wagon 118"
 55 = Wagon 140"
 56 = Wagon 158"
 01 = Chassis Forward Control 118"
 02 = Chassis Forward Control 140"
 06 = Front Section 158"
 11 = Van 118"

ENGINE

EX8 = Engine - 2.7L I5
 Mercedes-Benz TD

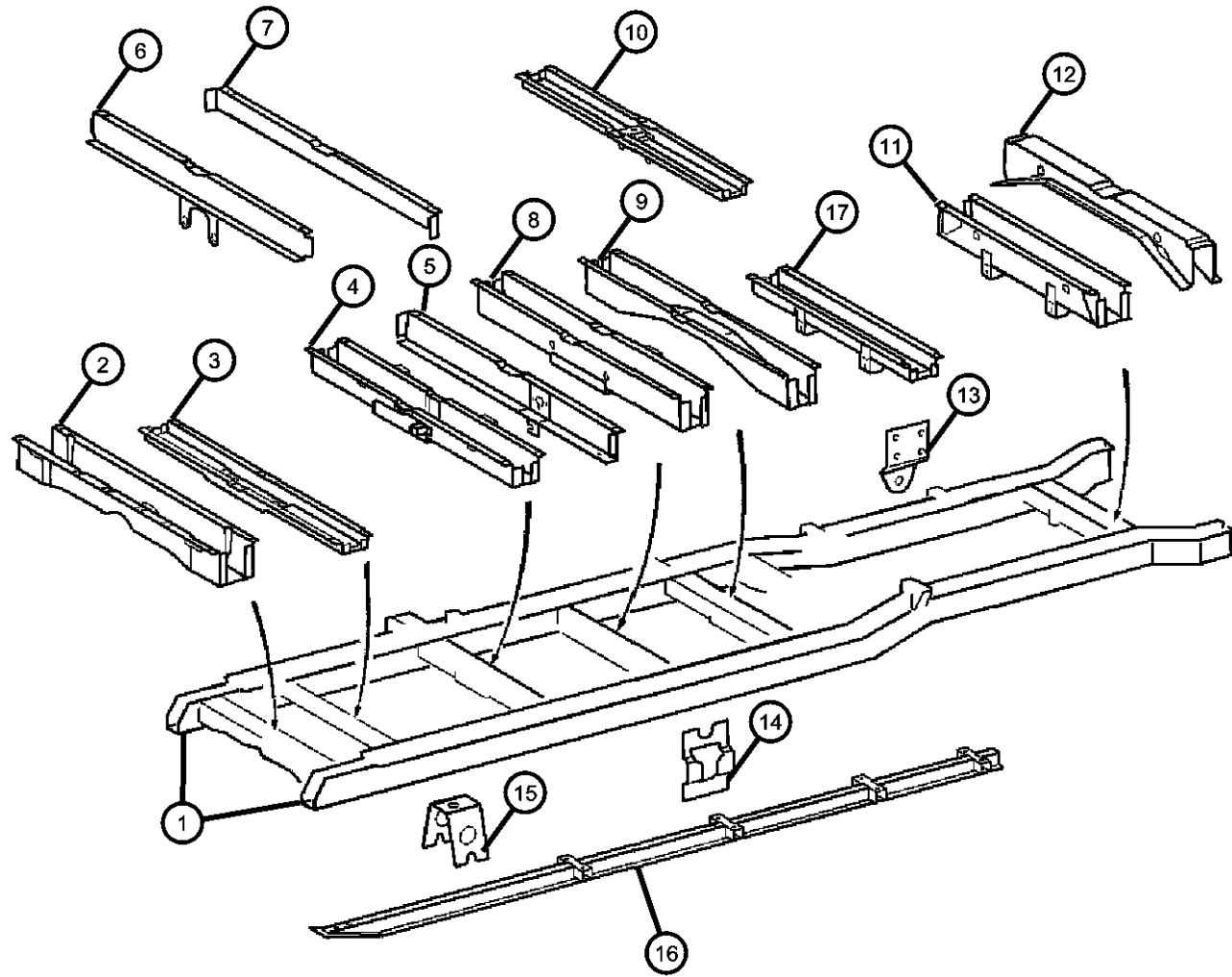
TRANSMISSION

DGJ = Transmission - 5-Spd Auto, MB

AR = use ase required - = Non illustrated part

2005 VA

Side Frame Rails and Crossmembers 3500
Figure 13-120



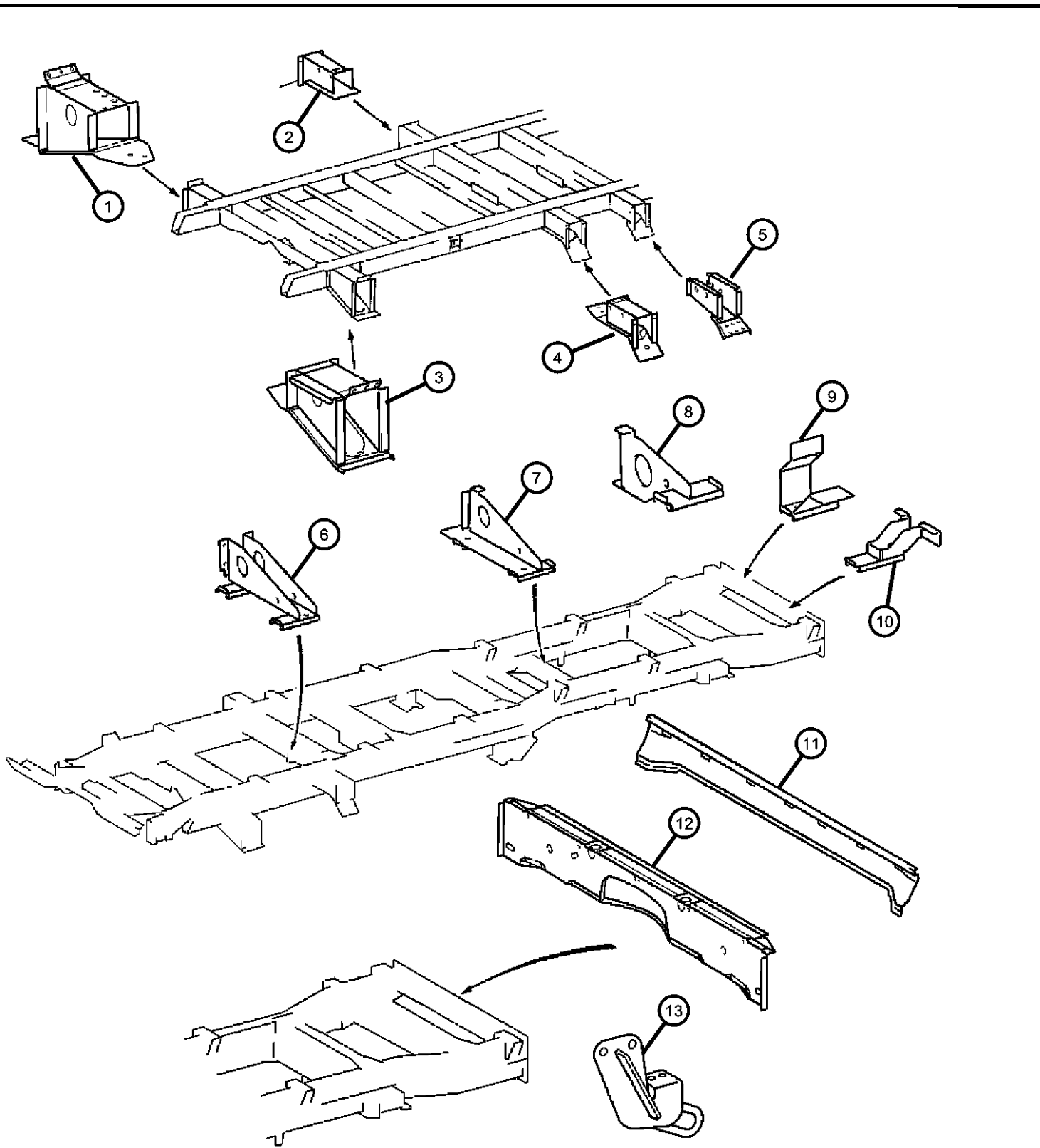
ITEM	PART NUMBER	QTY	LINE	SERIES	BODY	ENGINE	TRANS	TRIM	DESCRIPTION
15									BRACKET, Crossmember
	05118223AA	2	3, 7	L	12, 15				
		4	3, 7	L	16				
16									BRACKET, Frame Rail
	05118220AA	1	2, 6	L	12, 15				
		1	2, 6	L	11, 12, 14, 15				
		1	2, 6	L	52, 55				
		1	2, 6	L	51, 52, 54, 55				
		1	3, 7	L	12, 15, 16				
17									CROSSMEMBER, Rear Frame
	05140685AA	1	3, 7	L	06				Right
	05140687AA	1	3, 7	L	06				Left
-18									CROSSMEMBER, Floor Pan
	05166979AA	1	3, 7	L	02				[5AE+TBN+WDG+4JR]
		1	3, 7	L	02				

SPRINTER (VA)

SERIES	LINE	BODY	ENGINE	TRANSMISSION
L = LOWLINE	3 = HD DODGE 2WD 8 = HD DODGE 4WD 6 = Lt. Duty DODGE 4WD 2 = Med. Duty DODGE 2WD 7 = Med. Duty DODGE 4WD 4 = TRUCK	12 = Van 140" 51 = Wagon 118" 52 = Wagon 140" 14 = Van 118" 15 = Van 140" 16 = Van 158" 54 = Wagon 118" 55 = Wagon 140" 56 = Wagon 158" 01 = Chassis Forward Control 118" 02 = Chassis Forward Control 140" 06 = Front Section 158" 11 = Van 118"	EX8 = Engine - 2.7L I5 Mercedes-Benz TD	DGJ = Transmission - 5-Spd Auto, MB

AR = use ase required - = Non illustrated part

Brackets, Frame To Body Supports
Figure 13-130



ITEM	PART NUMBER	QTY	LINE	SERIES	BODY	ENGINE	TRANS	TRIM	DESCRIPTION
1	05118013AA	1	2, 6	L	11, 12, 14, 15, 16				BRACKET, Frame Rail Right
		1	2, 6	L	51, 52, 54, 55, 56				Right
2	05118024AA	1	2, 6	L	12, 15				BRACKET, Frame Rail Right
		1	2, 6	L	52, 55				Right
		1	3, 7	L	12, 15, 16				Right
3	05118031AA	1	2, 6	L	11, 12, 14, 15, 16				BRACKET, Frame Rail Left
		1	2, 6	L	51, 52, 54, 55, 56				Left
		1	3, 7	L	12, 15, 16				Left
4	05118025AA	1	2, 6	L	12, 15				BRACKET, Frame Rail
		1	2, 6	L	52, 55				
		1	3, 7	L	12, 15, 16				
		2	3, 7	L	12, 15, 16				BRACKET, Frame Rail Right And Left
6	05119822AA	1	2, 6	L	01, 02, 06				BRACKET, Frame
		1	2, 6	L	11, 12, 14, 15, 16				
		1	2, 6	L	51, 52, 54, 55, 56				
		1	3, 7	L	02, 06				
		1	3, 7	L	12, 15, 16				
		1	6, 2	L	11, 12, 14, 15, 16				
7	05119804AA	1	2, 6	L	02, 06				BRACKET, Frame

SPRINTER (VA)

SERIES	LINE	BODY	ENGINE	TRANSMISSION
L = LOWLINE	3 = HD DODGE 2WD 8 = HD DODGE 4WD 6 = Lt. Duty DODGE 4WD 2 = Med. Duty DODGE 2WD 7 = Med. Duty DODGE 4WD 4 = TRUCK	12 = Van 140" 51 = Wagon 118" 52 = Wagon 140" 14 = Van 118" 15 = Van 140" 16 = Van 158" 54 = Wagon 118" 55 = Wagon 140" 56 = Wagon 158" 01 = Chassis Forward Control 118" 02 = Chassis Forward Control 140" 06 = Front Section 158" 11 = Van 118"	EX8 = Engine - 2.7L I5 Mercedes-Benz TD	DGJ = Transmission - 5-Spd Auto, MB

AR = use ase required - = Non illustrated part

Brackets, Frame To Body Supports
Figure 13-130

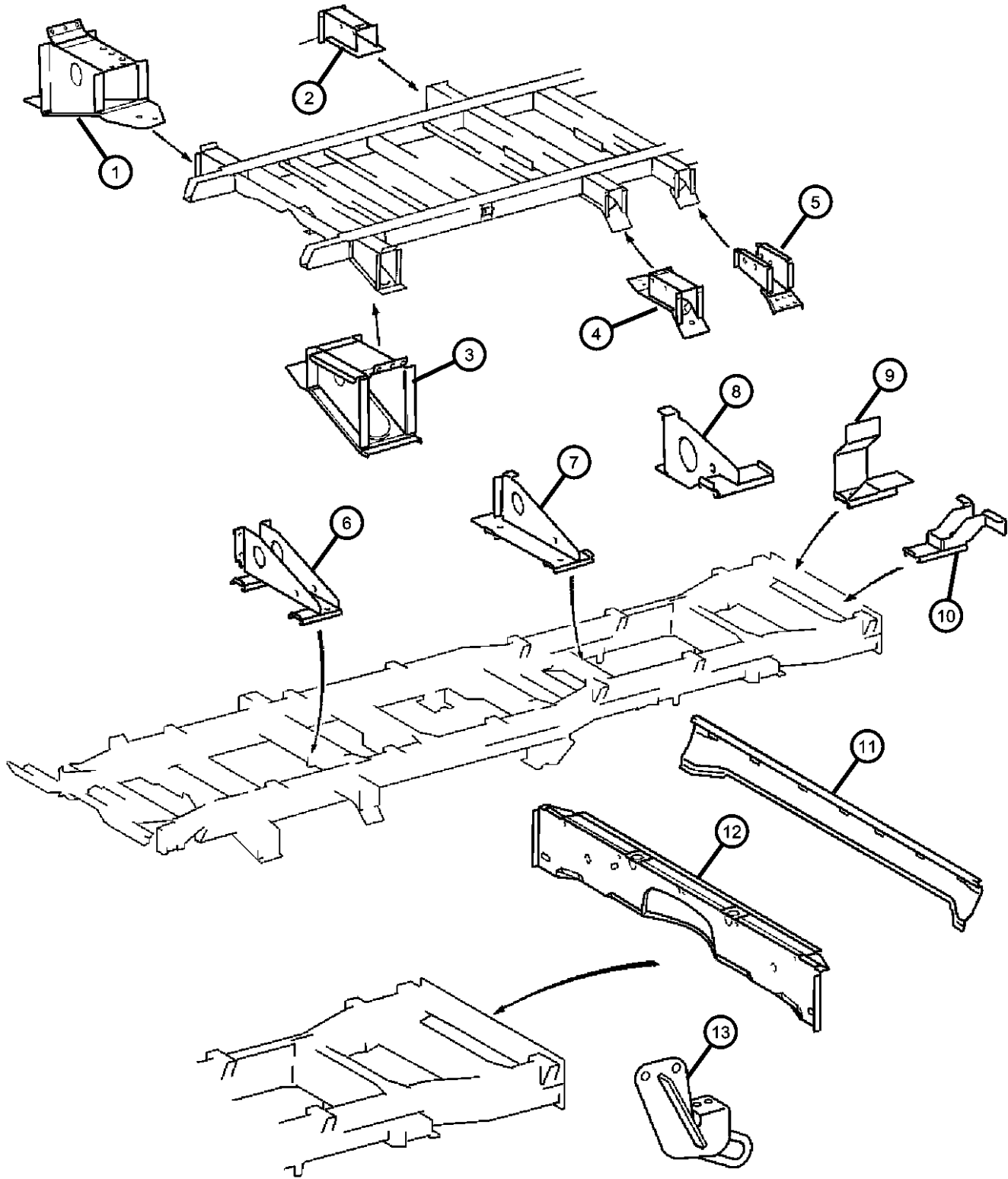
ITEM	PART NUMBER	QTY	LINE	SERIES	BODY	ENGINE	TRANS	TRIM	DESCRIPTION
8	05119811AA	1	2, 6	L	51, 52, 54, 55, 56				BRACKET, Exhaust, Muffler
		1	3, 7	L	02, 06				
		1	3, 7	L	12, 15, 16				
9	05119826AA	1	2, 6	L	06				BRACKET, Exhaust, Muffler
		1	2, 6	L	11, 12, 14, 15, 16				
		1	2, 6	L	51, 52, 54, 55, 56				
10	05119826AA	1	3, 7	L	02, 06				BRACKET, Exhaust, Muffler
		1	3, 7	L	12, 15, 16				
11	05104159AA	1	3, 7	L	02, 06				REINFORCEMENT, Rear Bumper
		1	3, 7	L	12, 15, 16				
		1	2, 6	L	11, 12, 14, 15, 16				
12	05104050AA	1	2, 6	L	51, 52, 54, 55, 56				REINFORCEMENT, Rear Bumper
		1	3, 7	L	12, 15, 16				
		1	2, 6	L	11, 12, 14, 15, 16				
13	05118001AA	1	2, 6	L	51, 52, 54, 55, 56				HOOK, Tow
		1	3, 7	L	12, 15, 16				
		1	2, 6	L	11, 14				
	05118003AA	1	2, 6	L	51, 54				
		1	2, 6	L	12, 15				

SPRINTER (VA)				
SERIES	LINE	BODY	ENGINE	TRANSMISSION
L = LOWLINE	3 = HD DODGE 2WD 8 = HD DODGE 4WD 6 = Lt. Duty DODGE 4WD 2 = Med. Duty DODGE 2WD 7 = Med. Duty DODGE 4WD 4 = TRUCK	12 = Van 140" 51 = Wagon 118" 52 = Wagon 140" 14 = Van 118" 15 = Van 140" 16 = Van 158" 54 = Wagon 118" 55 = Wagon 140" 56 = Wagon 158" 01 = Chassis Forward Control 118" 02 = Chassis Forward Control 140" 06 = Front Section 158" 11 = Van 118"	EX8 = Engine - 2.7L I5 Mercedes-Benz TD	DGJ = Transmission - 5-Spd Auto, MB

AR = use ase required - = Non illustrated part

Brackets, Frame To Body Supports
Figure 13-130

ITEM	PART NUMBER	QTY	LINE	SERIES	BODY	ENGINE	TRANS	TRIM	DESCRIPTION
------	-------------	-----	------	--------	------	--------	-------	------	-------------



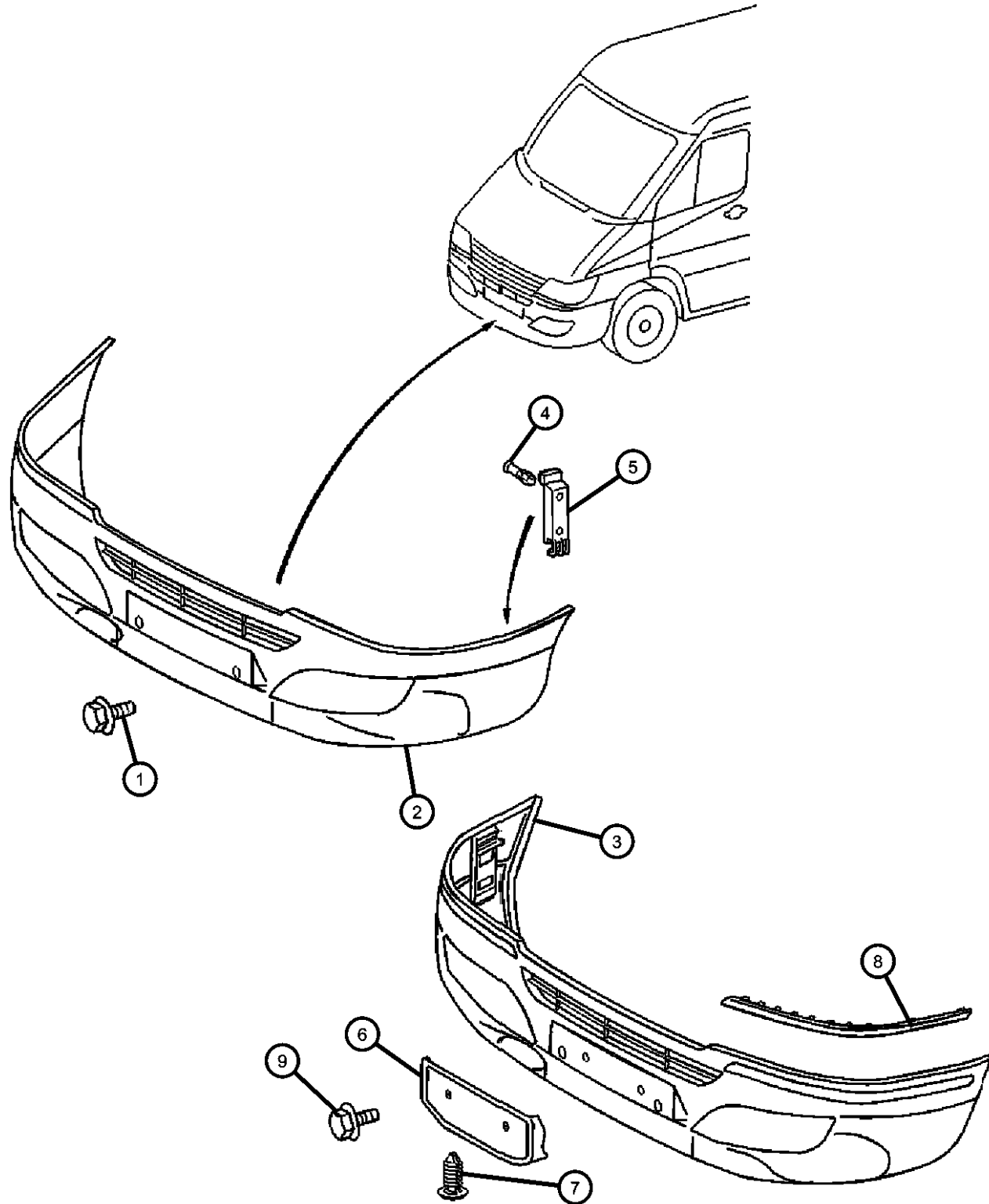
		1	2, 6	L	52, 55				
	05118006AA	1	3, 7	L	12, 15				
	05118008AA	1	3, 7	L	16				

SPRINTER (VA)

SERIES	LINE	BODY	ENGINE	TRANSMISSION
L = LOWLINE	3 = HD DODGE 2WD	12 = Van 140"	EX8 = Engine - 2.7L I5	DGJ = Transmission - 5-Spd Auto, MB
	8 = HD DODGE 4WD	51 = Wagon 118"	Mercedes-Benz TD	
	6 = Lt. Duty DODGE 4WD	52 = Wagon 140"		
	2 = Med. Duty DODGE 2WD	14 = Van 118"		
	7 = Med. Duty DODGE 4WD	15 = Van 140"		
	4 = TRUCK	16 = Van 158"		
		54 = Wagon 118"		
		55 = Wagon 140"		
		56 = Wagon 158"		
		01 = Chassis Forward Control		
		118"		
		02 = Chassis Forward Control		
		140"		
		06 = Front Section 158"		
		11 = Van 118"		

AR = use ase required - = Non illustrated part

Bumper, Front
Figure 13-230



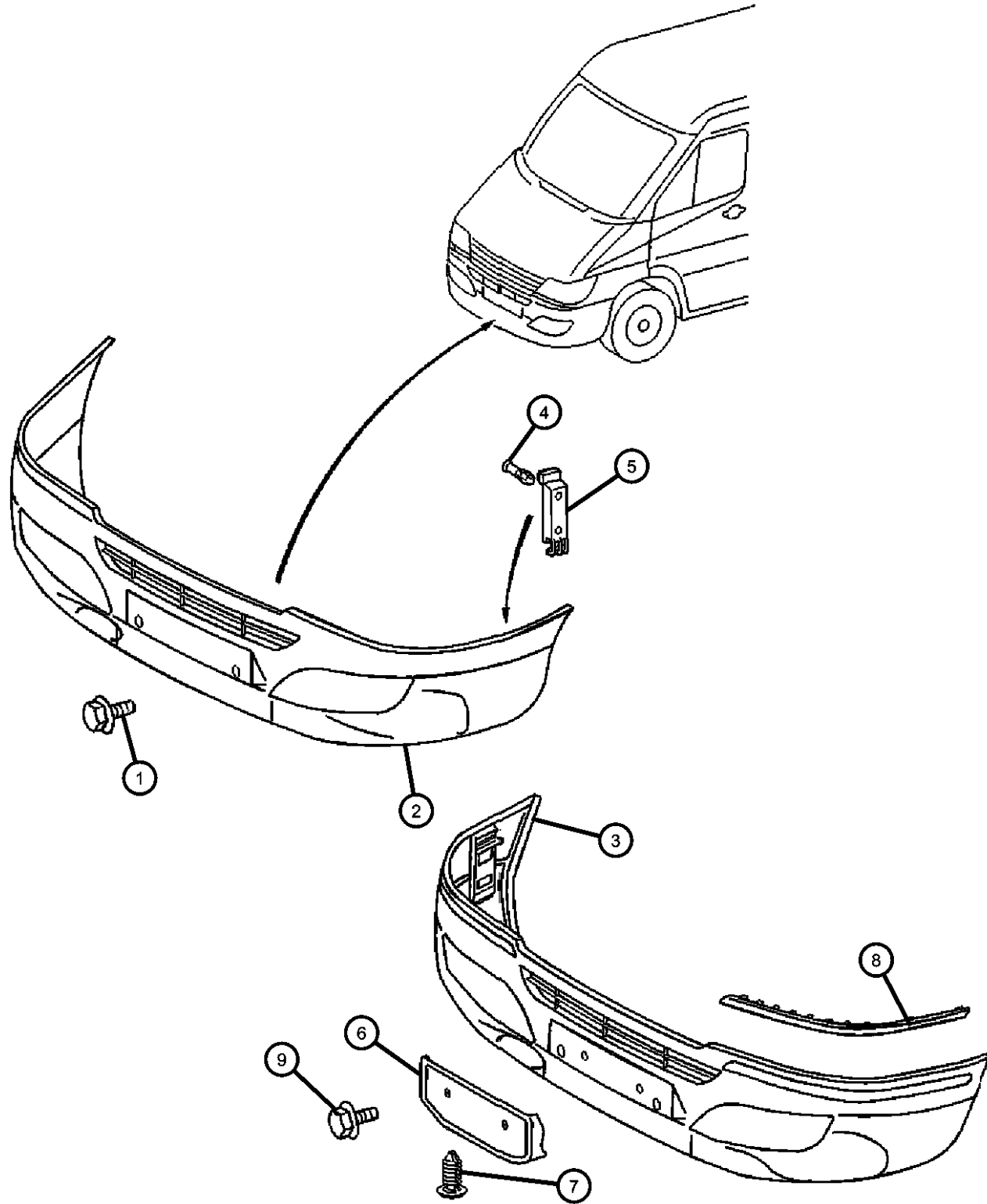
ITEM	PART NUMBER	QTY	LINE	SERIES	BODY	ENGINE	TRANS	TRIM	DESCRIPTION
1									SCREW
	05103728AA	2	3, 7	L	02, 06				
		2	3, 7	L	12, 15, 16				
		2	2, 6	L	01, 02, 06				
		2	2, 6	L	11, 12, 14, 15, 16				
		2	2, 6	L	51, 52, 54, 55, 56				
2									FASCIA, Front
	05104513AA	1	2, 6	L	01, 02, 06				
		1	2, 6	L	11, 12, 14, 15, 16				
		1	2, 6	L	51, 52, 54, 55, 56				
		1	3, 7	L	02, 06				
		1	3, 7	L	12, 15, 16				
3									FASCIA, Front
	05104517AA	1	2, 6	L	01, 02, 06				[MJD]
		1	2, 6	L	11, 12, 14, 15, 16				[MJD]
		1	2, 6	L	51, 52, 54, 55, 56				[MJD]
		1	3, 7	L	02, 06				[MJD]
		1	3, 7	L	12, 15, 16				[MJD]
	05132494AA	1	2, 6	L	01, 02, 06				[WDG]
		1	2, 6	L	11, 12, 14, 15, 16				[WDG]
		1	2, 6	L	51, 52, 54, 55, 56				[WDG]
		1	3, 7	L	02, 06				[WDG]
	05132496AA	1	2, 6	L	01, 02, 06				[MJD,WDG]
		1	2, 6	L	11, 12, 14, 15, 16				[MJD,WDG]
		1	3, 7	L	02, 06				[MJD,WDG]

SPRINTER (VA)

SERIES	LINE	BODY	ENGINE	TRANSMISSION
L = LOWLINE	3 = HD DODGE 2WD	12 = Van 140"	EX8 = Engine - 2.7L I5	DGJ = Transmission - 5-Spd Auto, MB
	8 = HD DODGE 4WD	51 = Wagon 118"	Mercedes-Benz TD	
	6 = Lt. Duty DODGE 4WD	52 = Wagon 140"		
	2 = Med. Duty DODGE 2WD	14 = Van 118"		
	7 = Med. Duty DODGE 4WD	15 = Van 140"		
	4 = TRUCK	16 = Van 158"		
		54 = Wagon 118"		
		55 = Wagon 140"		
		56 = Wagon 158"		
		01 = Chassis Forward Control 118"		
		02 = Chassis Forward Control 140"		
		06 = Front Section 158"		
		11 = Van 118"		

AR = use ase required - = Non illustrated part

Bumper, Front
Figure 13-230



ITEM	PART NUMBER	QTY	LINE	SERIES	BODY	ENGINE	TRANS	TRIM	DESCRIPTION
		1	2, 6	L	51, 52, 54, 55, 56				[MJD,WDG]
4	05104543AA	4	2, 6	L	01, 02, 06				RETAINER, Fascia
		4	2, 6	L	11, 12, 14, 15, 16				
		2	2, 6	L	51, 52, 54, 55, 56				
		4	3, 7	L	02, 06				
		4	3, 7	L	12, 15, 16				
5	05104505AA	2	2, 6	L	01, 02, 06				BRACKET, Front Bumper
		2	2, 6	L	11, 12, 14, 15, 16				
		2	2, 6	L	51, 52, 54, 55, 56				
		2	3, 7	L	02, 06				
		2	3, 7	L	12, 15, 16				
6	05104524AA	1	2, 6	L	11, 12, 14, 15, 16				BRACKET, License Plate, Chrome
		1	2, 6	L	51, 52, 54, 55, 56				
		1	3, 7	L	02, 06				
		1	3, 7	L	12, 15, 16				
		1	2, 6	L	01, 02, 06				
7	05103817AA	2	2, 6	L	01, 02, 06				PLUG
		2	2, 6	L	51, 52, 54, 55, 56				
		2	2, 6	L	11, 12, 14, 15, 16				
		2	3, 7	L	02, 06				

SPRINTER (VA)

SERIES

L = LOWLINE

LINE

3 = HD DODGE 2WD
 8 = HD DODGE 4WD
 6 = Lt. Duty DODGE 4WD
 2 = Med. Duty DODGE 2WD
 7 = Med. Duty DODGE 4WD
 4 = TRUCK

BODY

12 = Van 140"
 51 = Wagon 118"
 52 = Wagon 140"
 14 = Van 118"
 15 = Van 140"
 16 = Van 158"
 54 = Wagon 118"
 55 = Wagon 140"
 56 = Wagon 158"
 01 = Chassis Forward Control 118"
 02 = Chassis Forward Control 140"
 06 = Front Section 158"
 11 = Van 118"

ENGINE

EX8 = Engine - 2.7L I5
 Mercedes-Benz TD

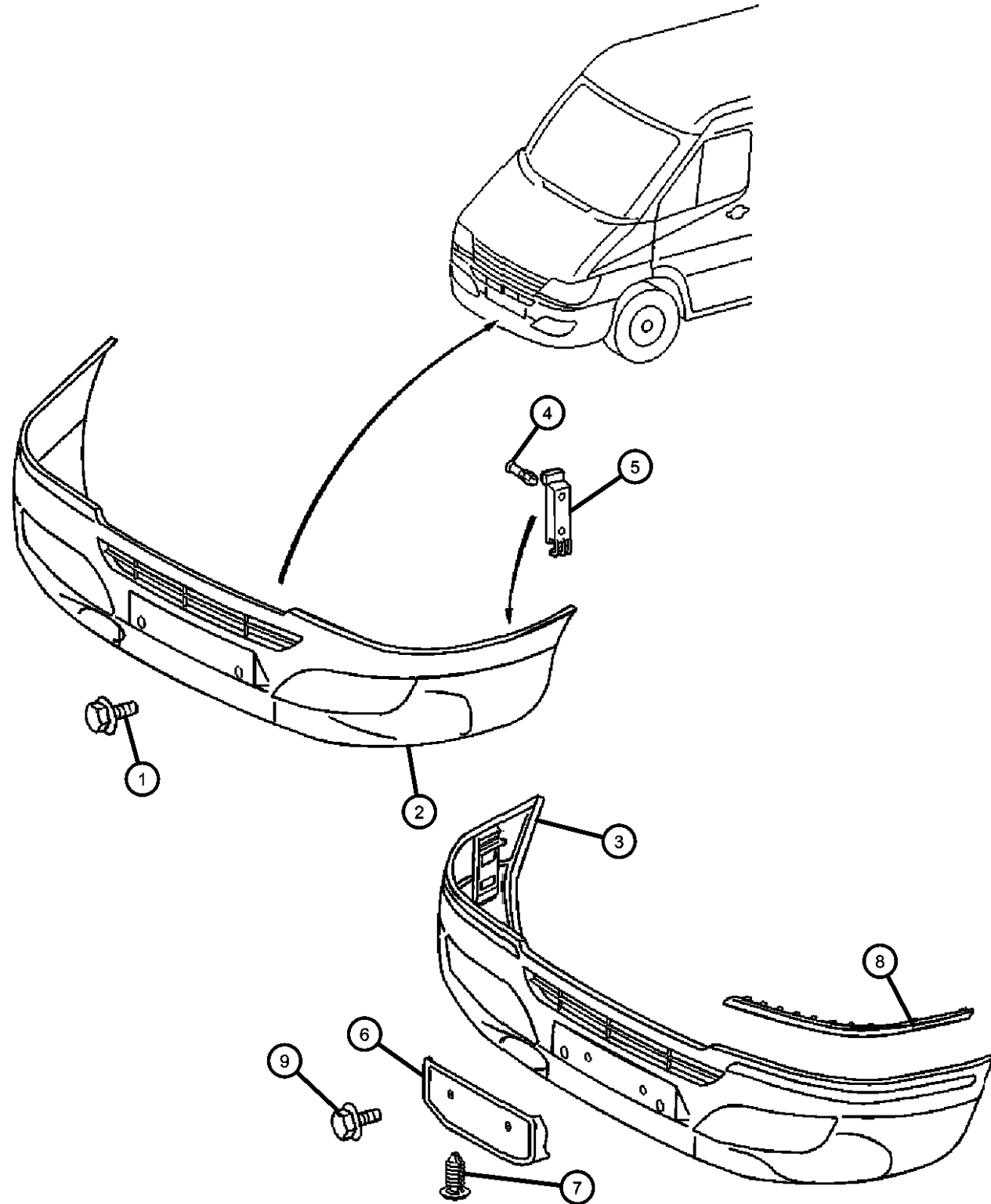
TRANSMISSION

DGJ = Transmission - 5-Spd Auto, MB

AR = use ase required - = Non illustrated part

2005 VA

Bumper, Front
Figure 13-230



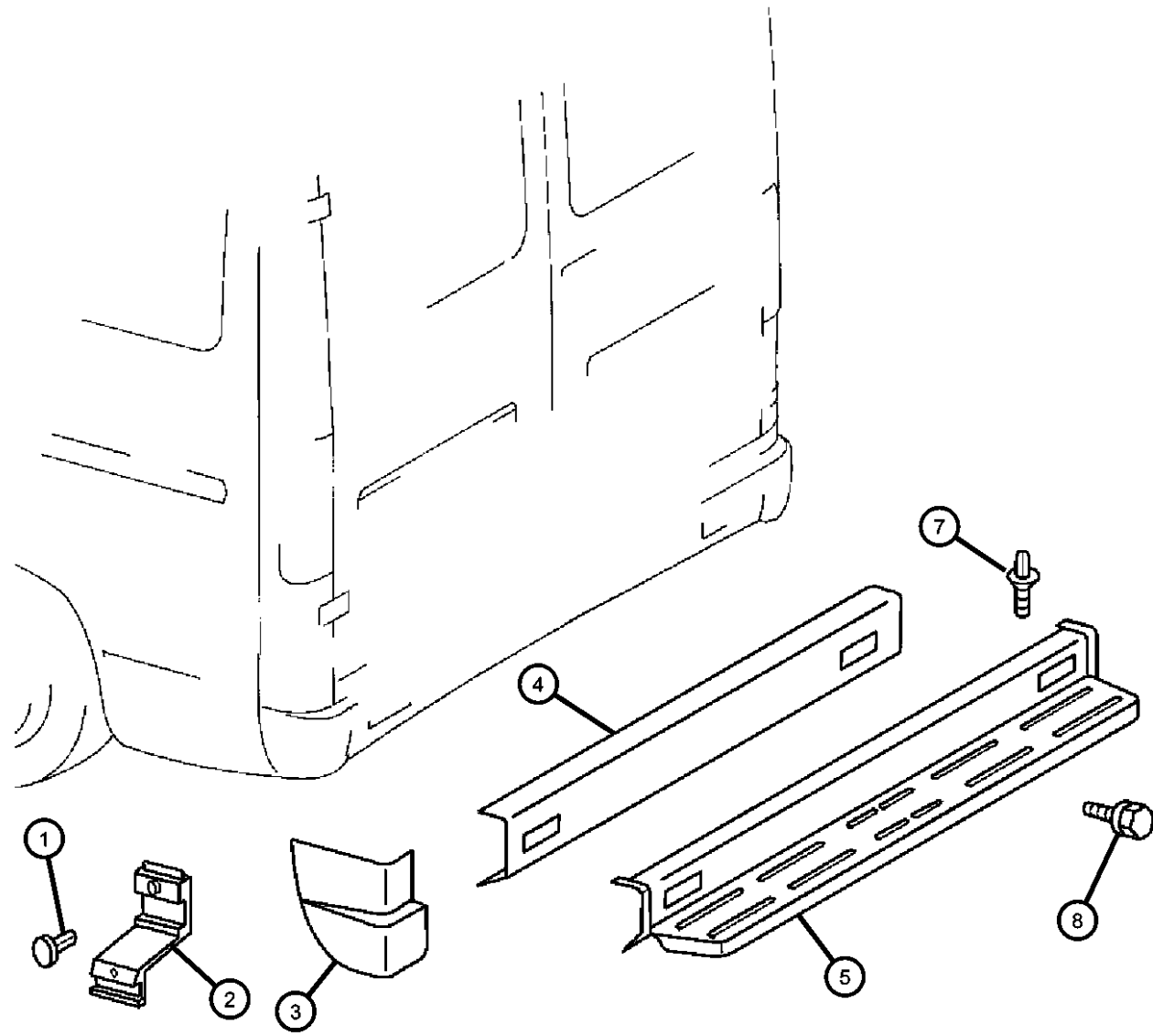
ITEM	PART NUMBER	QTY	LINE	SERIES	BODY	ENGINE	TRANS	TRIM	DESCRIPTION
		2	3, 7	L	12, 15, 16				
8									NERF, Fascia
	05104523AA	1	2, 6	L	01, 02, 06				Left
		1	2, 6	L	11, 12, 14, 15, 16				Left
		1	2, 6	L	51, 52, 54, 55, 56				Left
	05104525AA	1	3, 7	L	12, 15, 16				Left
		1	2, 6	L	01, 02, 06				Right
		1	3, 7	L	02, 06				Left
		1	2, 6	L	11, 12, 14, 15, 16				Right
		1	2, 6	L	51, 52, 54, 55, 56				Right
		1	3, 7	L	02, 06				Right
		1	3, 7	L	12, 15, 16				Right
9		1							SCREW, 5 x 16, (NOT SERVICED)

SPRINTER (VA)

SERIES	LINE	BODY	ENGINE	TRANSMISSION
L = LOWLINE	3 = HD DODGE 2WD	12 = Van 140"	EX8 = Engine - 2.7L I5	DGJ = Transmission - 5-Spd Auto, MB
	8 = HD DODGE 4WD	51 = Wagon 118"	Mercedes-Benz TD	
	6 = Lt. Duty DODGE 4WD	52 = Wagon 140"		
	2 = Med. Duty DODGE 2WD	14 = Van 118"		
	7 = Med. Duty DODGE 4WD	15 = Van 140"		
	4 = TRUCK	16 = Van 158"		
		54 = Wagon 118"		
		55 = Wagon 140"		
		56 = Wagon 158"		
		01 = Chassis Forward Control 118"		
		02 = Chassis Forward Control 140"		
		06 = Front Section 158"		
		11 = Van 118"		

AR = use ase required - = Non illustrated part

Bumper, Rear
Figure 13-320



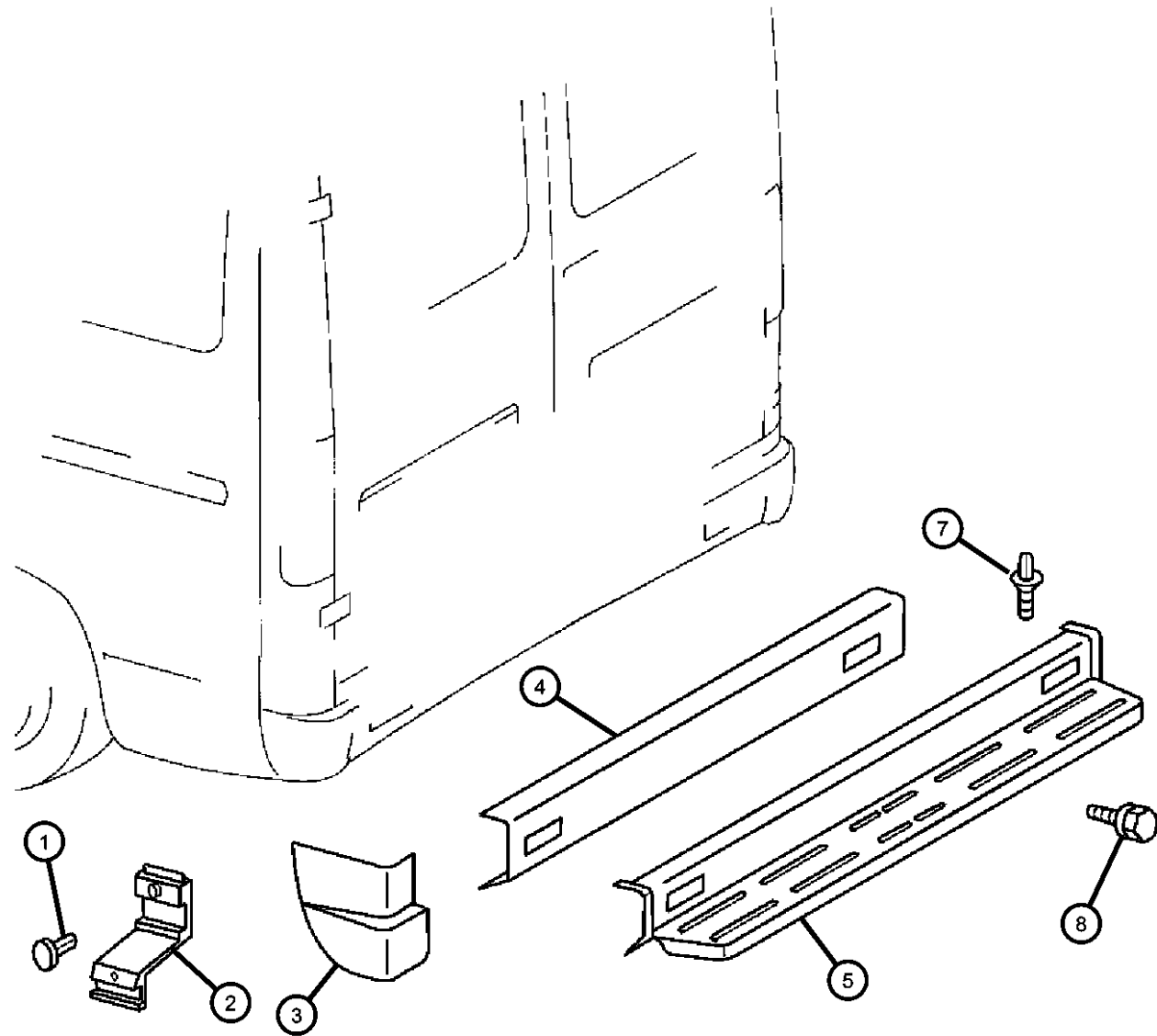
ITEM	PART NUMBER	QTY	LINE	SERIES	BODY	ENGINE	TRANS	TRIM	DESCRIPTION
1									RETAINER, Fascia
	05104543AA	4	2, 6	L	01, 02, 06				
		4	3, 7	L	12, 15, 16				
		4	2, 6	L	11, 12, 14, 15, 16				
		4	2, 6	L	51, 52, 54, 55, 56				
		4	3, 7	L	02, 06				
2									BRACKET, Rear Bumper
	05104508AA	1	2, 6	L	11, 12, 14, 15, 16				Left
		1	2, 6	L	51, 52, 54, 55, 56				Left
		1	3, 7	L	12, 15, 16				Left
	05104510AA	1	2, 6	L	11, 12, 14, 15, 16				Right
		1	2, 6	L	51, 52, 54, 55, 56				Right
		1	3, 7	L	12, 15, 16				Right
3									COVER, Fascia
	05104509AA	1	2, 6	L	11, 12, 14, 15, 16				Left
		1	2, 6	L	51, 52, 54, 55, 56				Left
		1	3, 7	L	12, 15, 16				Left
	05104511AA	1	2, 6	L	11, 12, 14, 15, 16				Right
		1	2, 6	L	51, 52, 54, 55, 56				Right
		1	3, 7	L	12, 15, 16				Right
4									BUMPER, Fascia, Rear
	05104512AA	1	2, 6	L	11, 12, 14, 15, 16				
		1	2, 6	L	51, 52, 54, 55, 56				

SPRINTER (VA)

SERIES	LINE	BODY	ENGINE	TRANSMISSION
L = LOWLINE	3 = HD DODGE 2WD 8 = HD DODGE 4WD 6 = Lt. Duty DODGE 4WD 2 = Med. Duty DODGE 2WD 7 = Med. Duty DODGE 4WD 4 = TRUCK	12 = Van 140" 51 = Wagon 118" 52 = Wagon 140" 14 = Van 118" 15 = Van 140" 16 = Van 158" 54 = Wagon 118" 55 = Wagon 140" 56 = Wagon 158" 01 = Chassis Forward Control 118" 02 = Chassis Forward Control 140" 06 = Front Section 158" 11 = Van 118"	EX8 = Engine - 2.7L I5 Mercedes-Benz TD	DGJ = Transmission - 5-Spd Auto, MB

AR = use ase required - = Non illustrated part

Bumper, Rear
Figure 13-320



ITEM	PART NUMBER	QTY	LINE	SERIES	BODY	ENGINE	TRANS	TRIM	DESCRIPTION
5		1	3, 7	L	12, 15, 16				BUMPER, Fascia, Rear
	05104526AA	1	2, 6	L	11, 12, 14, 15, 16				[MBZ]
		1	2, 6	L	51, 52, 54, 55, 56				[MBZ]
		1	3, 7	L	12, 15, 16				[MBZ]
-6									BUMPER, Step
	05104132AA	1	2, 6	L	12, 15				Includes Tow Hooks / [5AE / 5AF+MBZ]
		1	2, 6	L	52, 55				Includes Tow Hooks / [5AE / 5AF+MBZ]
7									RIVET
	05103730AA	4	2, 6	L	11, 12, 14, 15, 16				
		4	2, 6	L	51, 52, 54, 55, 56				
		4	3, 7	L	12, 15, 16				
8									SCREW
	05103728AA	2	2, 6	L	01, 02, 06				
		2	2, 6	L	11, 12, 14, 15, 16				
		2	2, 6	L	51, 52, 54, 55, 56				
		2	3, 7	L	02, 06				
		2	3, 7	L	12, 15, 16				
-9									BUMPER, Step
	05104132AA	1	2, 6	L	12, 15				[MBZ,5AE,5AF]
		1	2, 6	L	52, 55				[MBZ,5AE,5AF]
	05104133AA	1	2, 6	L	11, 14				[MBZ,5AC]
		1	2, 6	L	51, 54				[MBZ,5AC]
	05104135AA	1	2, 6	L	16				[MKB]

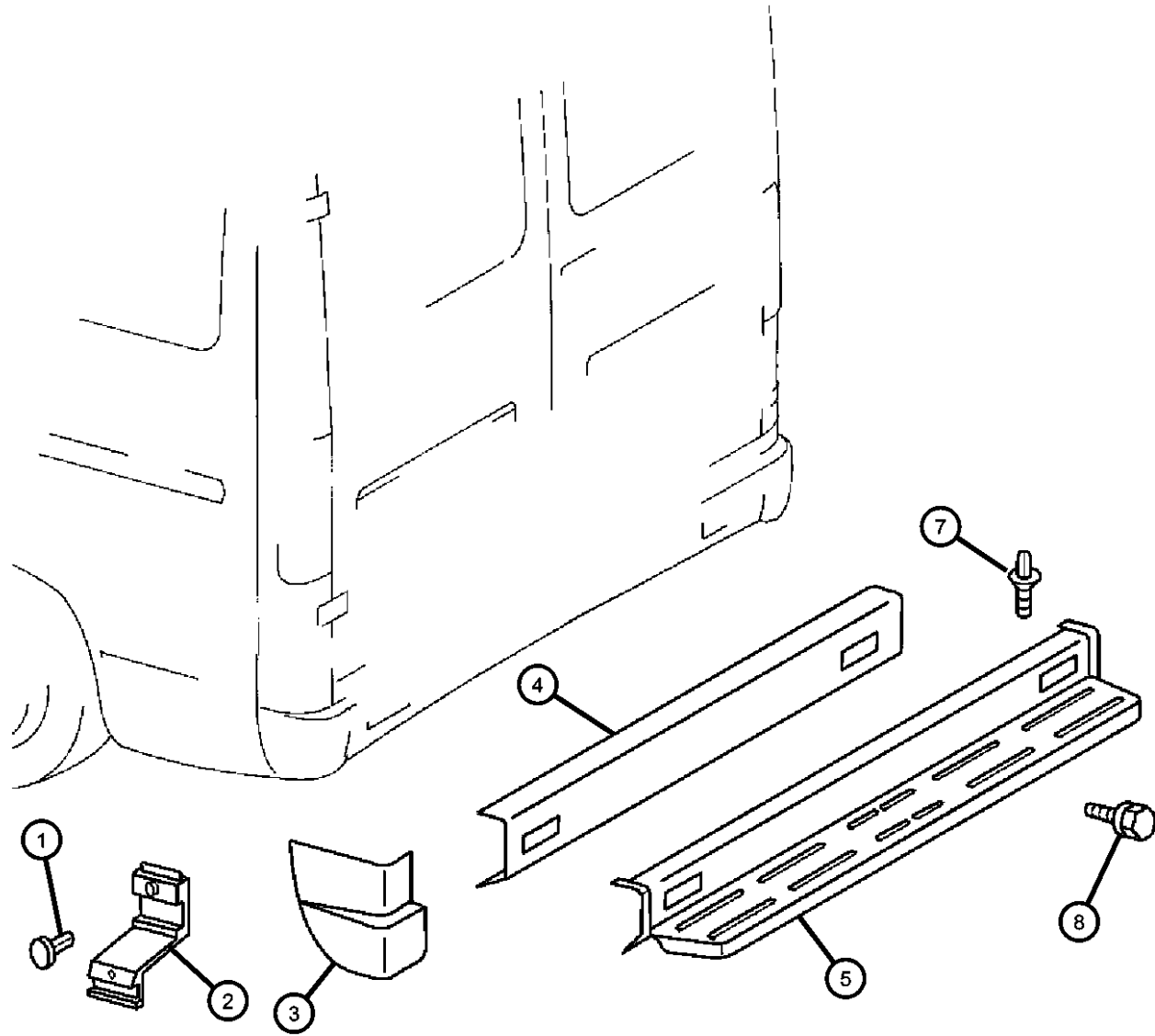
SPRINTER (VA)

SERIES	LINE	BODY	ENGINE	TRANSMISSION
L = LOWLINE	3 = HD DODGE 2WD 8 = HD DODGE 4WD 6 = Lt. Duty DODGE 4WD 2 = Med. Duty DODGE 2WD 7 = Med. Duty DODGE 4WD 4 = TRUCK	12 = Van 140" 51 = Wagon 118" 52 = Wagon 140" 14 = Van 118" 15 = Van 140" 16 = Van 158" 54 = Wagon 118" 55 = Wagon 140" 56 = Wagon 158" 01 = Chassis Forward Control 118" 02 = Chassis Forward Control 140" 06 = Front Section 158" 11 = Van 118"	EX8 = Engine - 2.7L I5 Mercedes-Benz TD	DGJ = Transmission - 5-Spd Auto, MB

AR = use ase required - = Non illustrated part

Bumper, Rear
Figure 13-320

ITEM	PART NUMBER	QTY	LINE	SERIES	BODY	ENGINE	TRANS	TRIM	DESCRIPTION
		1	2, 6	L	56				[MKB]
	05120038AA	1	3, 7	L	12, 15				[MBZ,5AE]
	05129550AA	1	2, 6	L	11, 14				[MBZ,5AC,XAF]
		1	2, 6	L	51, 54				[MBZ,5AC,XAF]
	05120040AA	1	3, 7	L	16				[MBZ,5AF]
-10	05120057AA	1	3, 7	L	02, 06				GUARD, Bumper



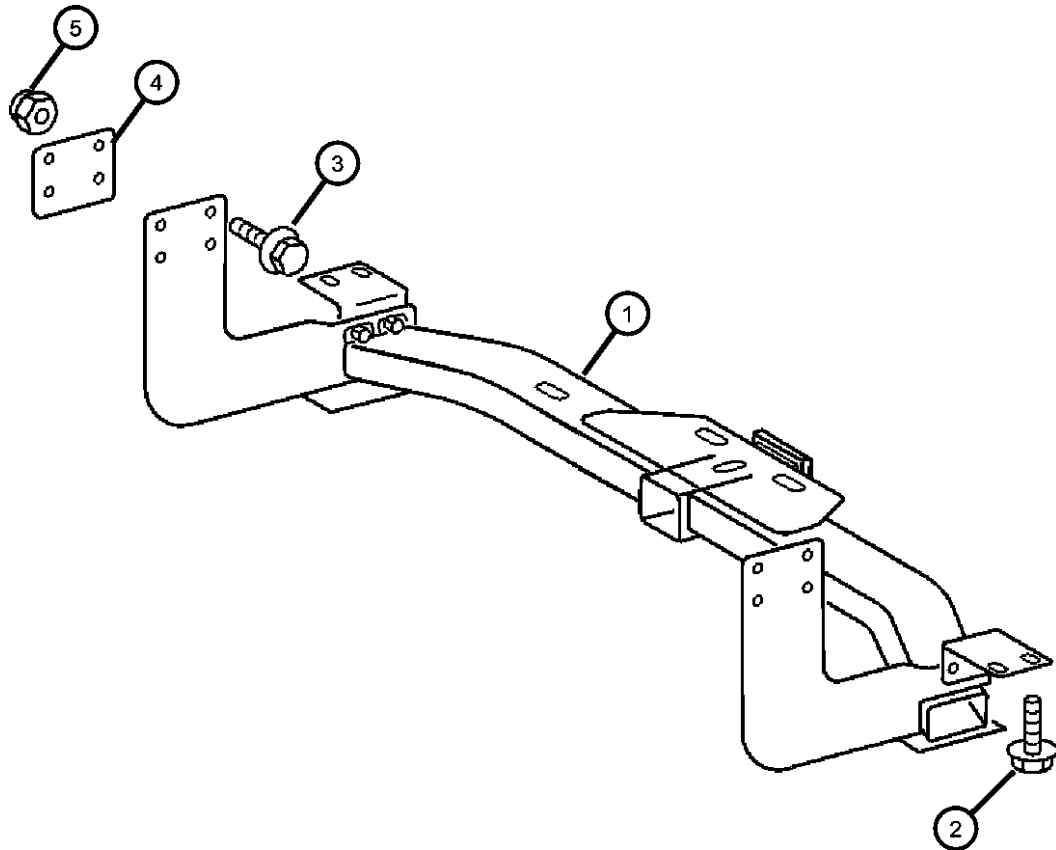
SPRINTER (VA)

SERIES	LINE	BODY	ENGINE	TRANSMISSION
L = LOWLINE	3 = HD DODGE 2WD 8 = HD DODGE 4WD 6 = Lt. Duty DODGE 4WD 2 = Med. Duty DODGE 2WD 7 = Med. Duty DODGE 4WD 4 = TRUCK	12 = Van 140" 51 = Wagon 118" 52 = Wagon 140" 14 = Van 118" 15 = Van 140" 16 = Van 158" 54 = Wagon 118" 55 = Wagon 140" 56 = Wagon 158" 01 = Chassis Forward Control 118" 02 = Chassis Forward Control 140" 06 = Front Section 158" 11 = Van 118"	EX8 = Engine - 2.7L I5 Mercedes-Benz TD	DGJ = Transmission - 5-Spd Auto, MB

AR = use ase required - = Non illustrated part

Rear Hitch
Figure 13-610

ITEM	PART NUMBER	QTY	LINE	SERIES	BODY	ENGINE	TRANS	TRIM	DESCRIPTION
1									SUPPORT, Hitch
	05104057AA	1	2, 6	L	12, 15				
		1	2, 6	L	52, 55				
		1	3, 7	L	16				
	05128441AA	1	2, 6	L	11, 14				
		1	2, 6	L	51, 54				
2									BOLT, Hex Flange Head, M10x1.50x25
	06104215AA	2	2, 6	L	01, 02, 06				
		2	2, 6	L	11, 12, 14, 15, 16				
		2	3, 7	L	02, 06				
		4	3, 7	L	12, 15, 16				
3									SCREW
	05104664AA	8	2, 6	L	01, 02, 06				
		8	2, 6	L	11, 12, 14, 15, 16				
		8	2, 6	L	51, 52, 54, 55, 56				
		8	3, 7	L	02, 06				
		8	3, 7	L	12, 15, 16				
4									PLATE, Towing Mounting
	05104056AA	2	2, 6	L	01, 02, 06				
		2	2, 6	L	11, 12, 14, 15, 16				
		2	2, 6	L	51, 52, 54, 55, 56				
		2	3, 7	L	02, 06				
		2	3, 7	L	12, 15, 16				
5									NUT
	05103668AA	1	2, 6	L	11, 12, 14, 15, 16				



SPRINTER (VA)

SERIES

L = LOWLINE

LINE

3 = HD DODGE 2WD
8 = HD DODGE 4WD
6 = Lt. Duty DODGE 4WD
2 = Med. Duty DODGE 2WD
7 = Med. Duty DODGE 4WD
4 = TRUCK

BODY

12 = Van 140"
51 = Wagon 118"
52 = Wagon 140"
14 = Van 118"
15 = Van 140"
16 = Van 158"
54 = Wagon 118"
55 = Wagon 140"
56 = Wagon 158"
01 = Chassis Forward Control 118"
02 = Chassis Forward Control 140"
06 = Front Section 158"
11 = Van 118"

ENGINE

EX8 = Engine - 2.7L I5
Mercedes-Benz TD

TRANSMISSION

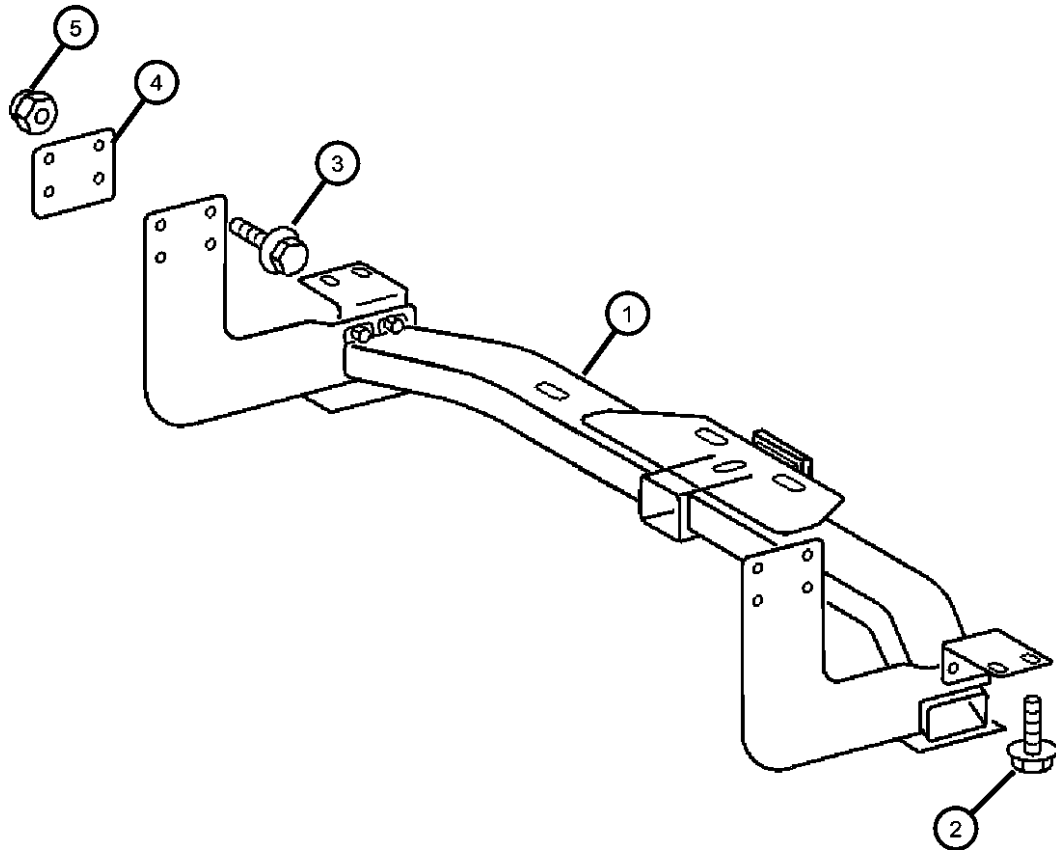
DGJ = Transmission - 5-Spd Auto, MB

AR = use ase required - = Non illustrated part

2005 VA

Rear Hitch
Figure 13-610

ITEM	PART NUMBER	QTY	LINE	SERIES	BODY	ENGINE	TRANS	TRIM	DESCRIPTION
		1	2, 6	L	51, 52, 54, 55, 56				
	06104718AA	8	2, 6	L	01, 02, 06				
		2	2, 6	L	11, 12, 14, 15, 16				
		2	2, 6	L	51, 52, 54, 55, 56				
		8	3, 7	L	12, 15, 16				
		8	3, 7	L	02, 06				

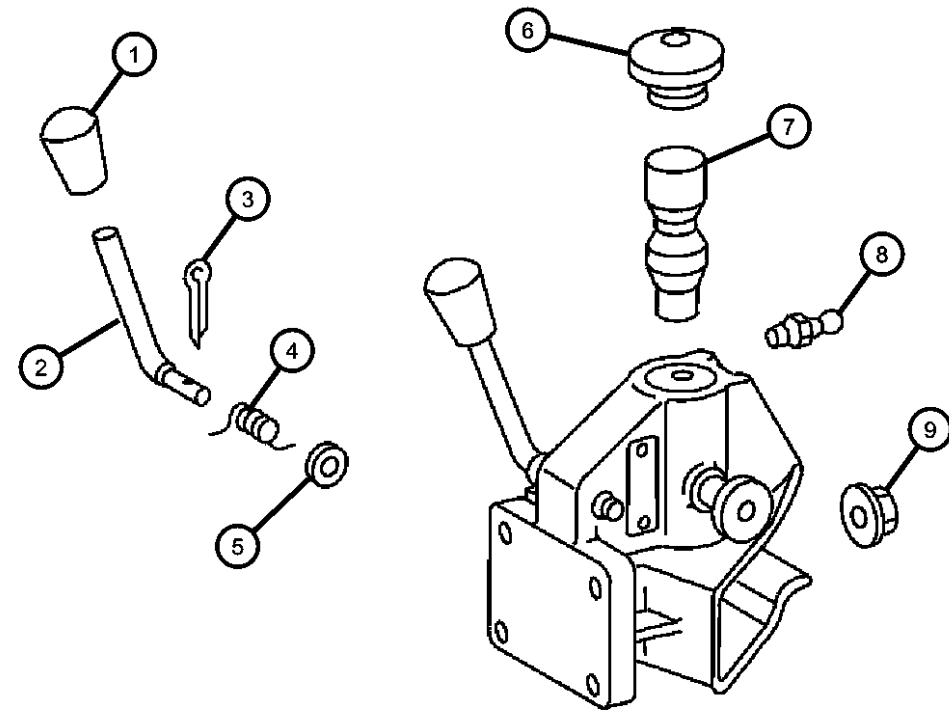


SPRINTER (VA)

SERIES	LINE	BODY	ENGINE	TRANSMISSION
L = LOWLINE	3 = HD DODGE 2WD 8 = HD DODGE 4WD 6 = Lt. Duty DODGE 4WD 2 = Med. Duty DODGE 2WD 7 = Med. Duty DODGE 4WD 4 = TRUCK	12 = Van 140" 51 = Wagon 118" 52 = Wagon 140" 14 = Van 118" 15 = Van 140" 16 = Van 158" 54 = Wagon 118" 55 = Wagon 140" 56 = Wagon 158" 01 = Chassis Forward Control 118" 02 = Chassis Forward Control 140" 06 = Front Section 158" 11 = Van 118"	EX8 = Engine - 2.7L I5 Mercedes-Benz TD	DGJ = Transmission - 5-Spd Auto, MB

AR = use ase required - = Non illustrated part

Trailer Tow
Figure 13-620



ITEM	PART NUMBER	QTY	LINE	SERIES	BODY	ENGINE	TRANS	TRIM	DESCRIPTION
1		8							HANDLE, Latch, (NOT SERVICED)
2									LEVER
	05133855AA	1	2, 6	L	01, 02, 06				
		1	2, 6	L	11, 12, 14, 15, 16				
		1	2, 6	L	51, 52, 54, 55, 56				
		1	3, 7	L	02, 06				
		1	3, 7	L	12, 15, 16				
3									PIN
	05133860AA	1	2, 6	L	01, 02, 06				
		1	2, 6	L	11, 12, 14, 15, 16				
		1	2, 6	L	51, 52, 54, 55, 56				
		1	3, 7	L	02, 06				
		1	3, 7	L	12, 15, 16				
4		1							SPRING, Lever, (NOT SERVICED)
5		1							WASHER, (NOT SERVICED)
6		1							COVER, (NOT SERVICED)
7									PIN, Hitch
	05133853AA	1	2, 6	L	01, 02, 06				
		1	2, 6	L	11, 12, 14, 15, 16				
		1	2, 6	L	51, 52, 54, 55, 56				
		1	3, 7	L	02, 06				
		1	3, 7	L	12, 15, 16				
8									FITTING, Grease
	05133858AA	1	2, 6	L	01, 02, 06				
		1	2, 6	L	11, 12, 14, 15, 16				

SPRINTER (VA)

SERIES

L = LOWLINE

LINE

3 = HD DODGE 2WD
8 = HD DODGE 4WD
6 = Lt. Duty DODGE 4WD
2 = Med. Duty DODGE 2WD
7 = Med. Duty DODGE 4WD
4 = TRUCK

BODY

12 = Van 140"
51 = Wagon 118"
52 = Wagon 140"
14 = Van 118"
15 = Van 140"
16 = Van 158"
54 = Wagon 118"
55 = Wagon 140"
56 = Wagon 158"
01 = Chassis Forward Control 118"
02 = Chassis Forward Control 140"
06 = Front Section 158"
11 = Van 118"

ENGINE

EX8 = Engine - 2.7L I5
Mercedes-Benz TD

TRANSMISSION

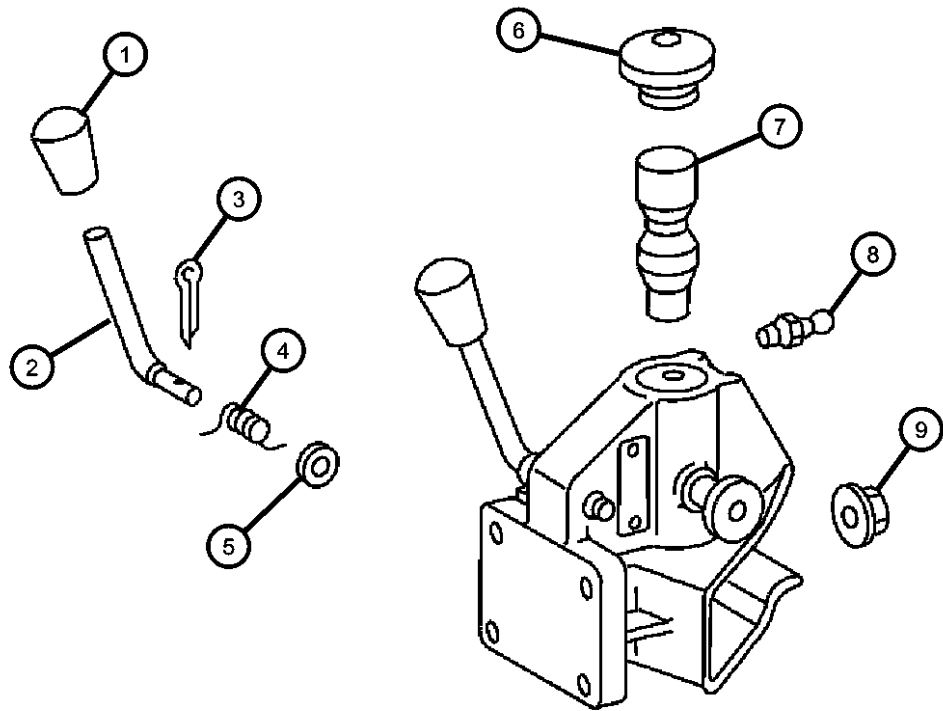
DGJ = Transmission - 5-Spd Auto, MB

AR = use ase required - = Non illustrated part

2005 VA

Trailer Tow
Figure 13-620

ITEM	PART NUMBER	QTY	LINE	SERIES	BODY	ENGINE	TRANS	TRIM	DESCRIPTION
		1	2, 6	L	51, 52, 54, 55, 56				
		1	3, 7	L	02, 06				
		1	3, 7	L	12, 15, 16				
9	06104717AA	1	2, 6	L	01, 02, 06				NUT
		2	2, 6	L	11, 12, 14, 15, 16				
		4	2, 6	L	51, 52, 54, 55, 56				
		1	3, 7	L	02, 06				
		4	3, 7	L	12, 15, 16				



SPRINTER (VA)

SERIES	LINE	BODY	ENGINE	TRANSMISSION
L = LOWLINE	3 = HD DODGE 2WD 8 = HD DODGE 4WD 6 = Lt. Duty DODGE 4WD 2 = Med. Duty DODGE 2WD 7 = Med. Duty DODGE 4WD 4 = TRUCK	12 = Van 140" 51 = Wagon 118" 52 = Wagon 140" 14 = Van 118" 15 = Van 140" 16 = Van 158" 54 = Wagon 118" 55 = Wagon 140" 56 = Wagon 158"	EX8 = Engine - 2.7L I5 Mercedes-Benz TD	DGJ = Transmission - 5-Spd Auto, MB
		01 = Chassis Forward Control 118" 02 = Chassis Forward Control 140" 06 = Front Section 158" 11 = Van 118"		

AR = use ase required - = Non illustrated part

Group - 14

Fuel

Group - 14 Fuel

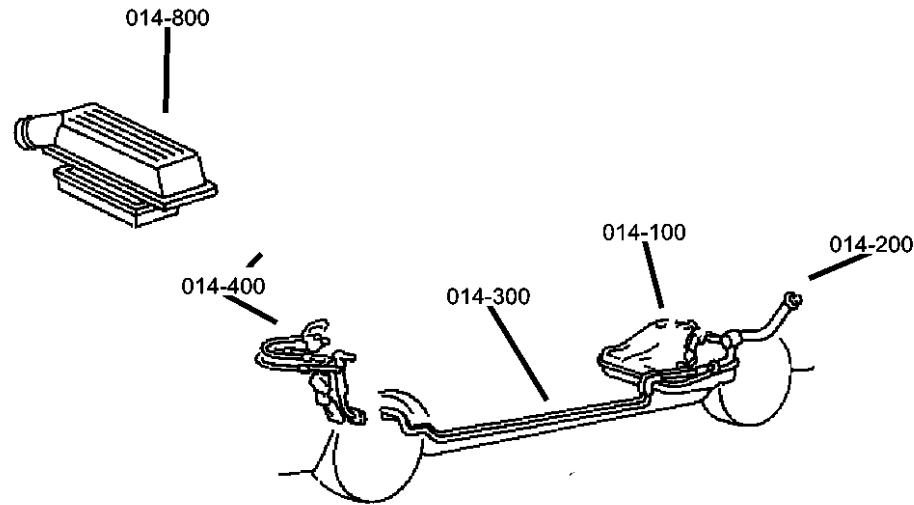


Illustration Title

Group-Fig. No.

Tank, Fuel

Fuel Tank Fig. 14 - 110

Fuel Tank Filler Tube

Fuel Tank Filler Tube..... Fig. 14 - 210

Fuel Lines

Fuel Lines..... Fig. 14 - 310

Fuel Line and Filter..... Fig. 14 - 320

Fuel Rail

Injection System [EX8]..... Fig. 14 - 410

Fuel Pump and Sending Unit

Fuel Module Fig. 14 - 510

Fuel Injection Pump & Turbo Charger

Fuel Injection Pump [EX8]..... Fig. 14 - 610

Turbo Charger Fig. 14 - 630

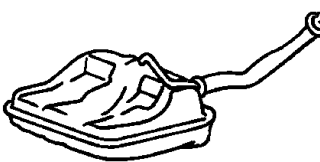
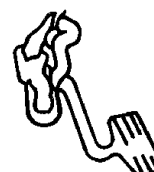
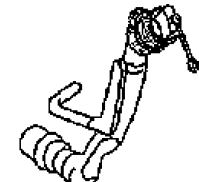
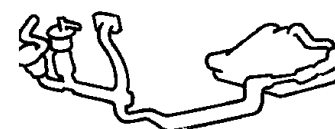
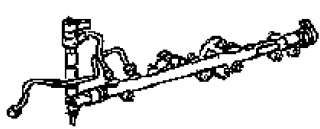
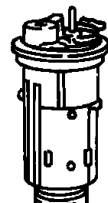
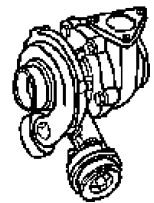
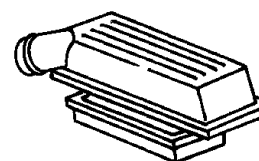
Turbo Charger Heat Shield..... Fig. 14 - 635

Air Cleaner

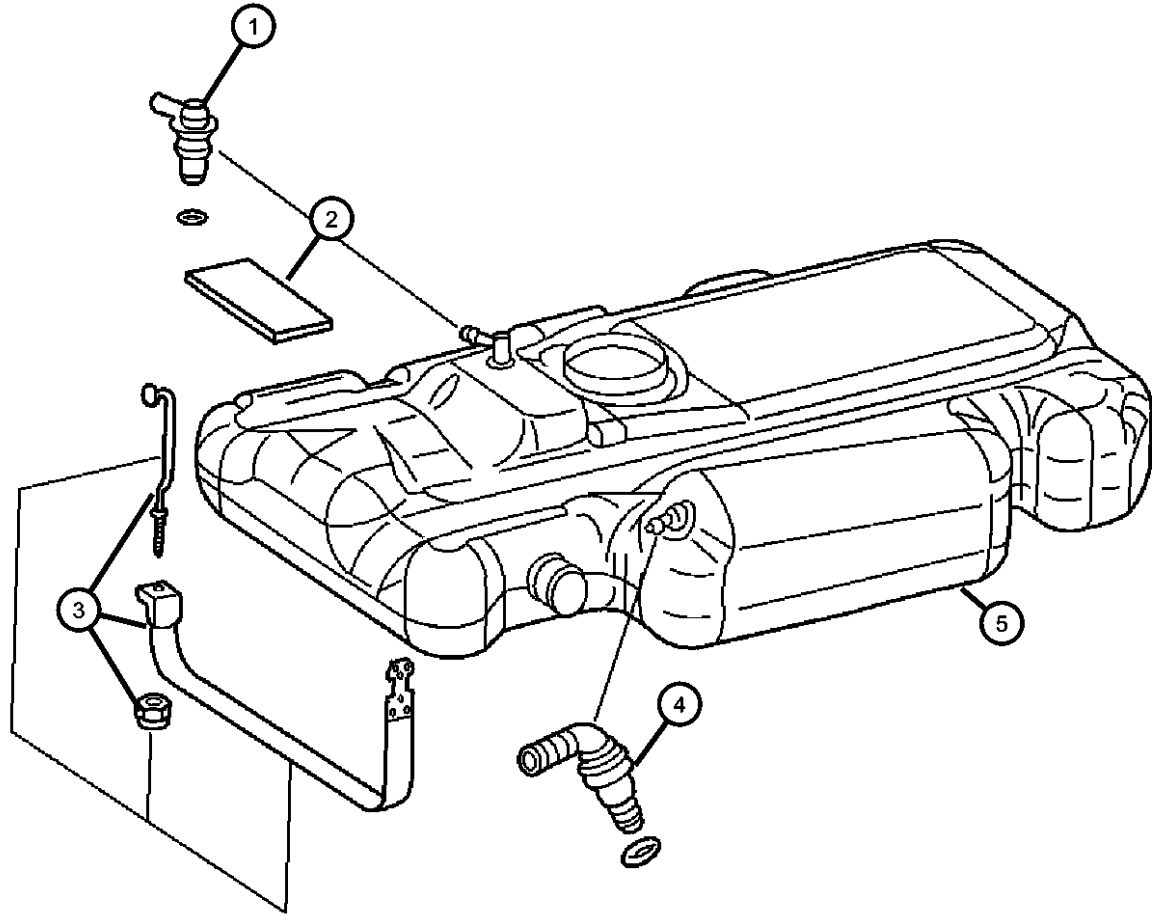
Air Cleaner..... Fig. 14 - 810

Accelerator Pedal

Accelerator Pedal Fig. 14 - 1110

<p>014-100 Tank, Fuel</p> 	<p>014-1100 Accelerator Pedal</p> 	<p>014-200 Fuel Tank Filler Tube</p> 	<p>014-300 Fuel Lines</p> 
<p>014-400 Fuel Rail</p> 	<p>014-500 Fuel Pump and Sending Unit</p> 	<p>014-600 Fuel Injection Pump & Turbo Charger</p> 	<p>014-800 Air Cleaner</p> 

Fuel Tank
Figure 14-110



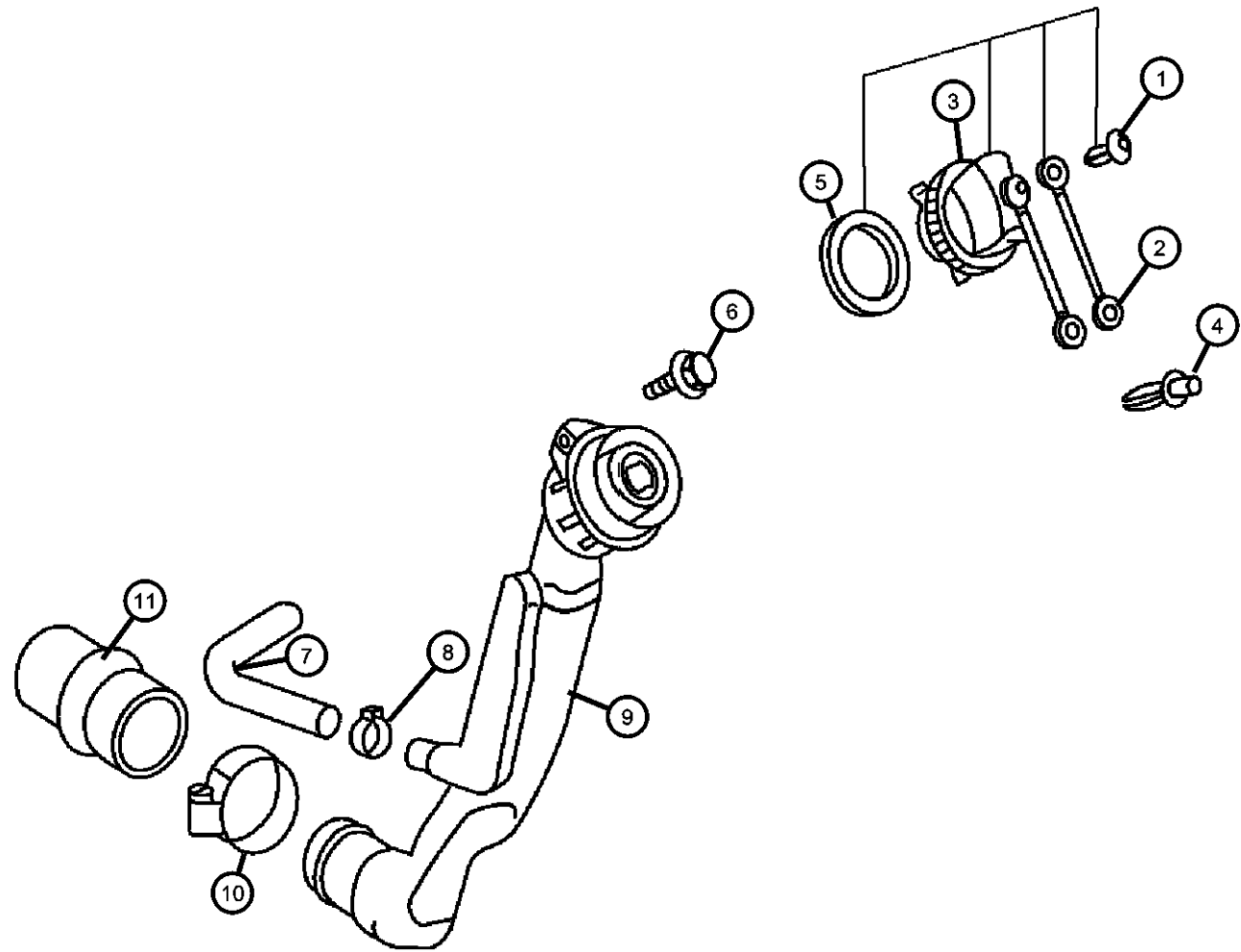
ITEM	PART NUMBER	QTY	LINE	SERIES	BODY	ENGINE	TRANS	TRIM	DESCRIPTION
Sales Codes:EX8=ENGINE-2.7L I5 MERCEDES TURBO DGJ=TRANSMISSION - 5-SPD AUTO									
1	05133917AA	1	3, 7	L	02, 06	EX8	DGJ		VALVE, Vent
		1	3, 7	L	12, 15, 16	EX8	DGJ		
2	05133443AA	4	2, 6	L	01, 02, 06	EX8	DGJ		PAD
		4	2, 6	L	11, 12, 14, 15, 16	EX8	DGJ		
		5	2, 6	L	51, 52, 54, 55, 56	EX8	DGJ		
		1	3, 7	L	02, 06	EX8	DGJ		
		5	3, 7	L	12, 15, 16	EX8	DGJ		
3	05104102AA	2	2, 6	L	01, 02, 06	EX8	DGJ		STRAP, Fuel Tank
		2	2, 6	L	11, 12, 14, 15, 16	EX8	DGJ		
		2	2, 6	L	51, 52, 54, 55, 56	EX8	DGJ		
		2	3, 7	L	02, 06	EX8	DGJ		
		2	3, 7	L	12, 15, 16	EX8	DGJ		
4	05133918AA	1	3, 7	L	02, 06	EX8	DGJ		VALVE, Vent
		1	3, 7	L	12, 15, 16	EX8	DGJ		
5	05119634AB	1	2, 6	L	01, 02, 06	EX8	DGJ		TANK, Fuel
		1	2, 6	L	11, 12, 14, 15, 16	EX8	DGJ		
		1	2, 6	L	51, 52, 54, 55, 56	EX8	DGJ		
		1	3, 7	L	02, 06	EX8	DGJ		
		1	3, 7	L	12, 15, 16	EX8	DGJ		

SPRINTER (VA)

SERIES	LINE	BODY	ENGINE	TRANSMISSION
L = LOWLINE	3 = HD DODGE 2WD 8 = HD DODGE 4WD 6 = Lt. Duty DODGE 4WD 2 = Med. Duty DODGE 2WD 7 = Med. Duty DODGE 4WD 4 = TRUCK	12 = Van 140" 51 = Wagon 118" 52 = Wagon 140" 14 = Van 118" 15 = Van 140" 16 = Van 158" 54 = Wagon 118" 55 = Wagon 140" 56 = Wagon 158" 01 = Chassis Forward Control 118" 02 = Chassis Forward Control 140" 06 = Front Section 158" 11 = Van 118"	EX8 = Engine - 2.7L I5 Mercedes-Benz TD	DGJ = Transmission - 5-Spd Auto, MB

AR = use ase required - = Non illustrated part

**Fuel Tank Filler Tube
Figure 14-210**



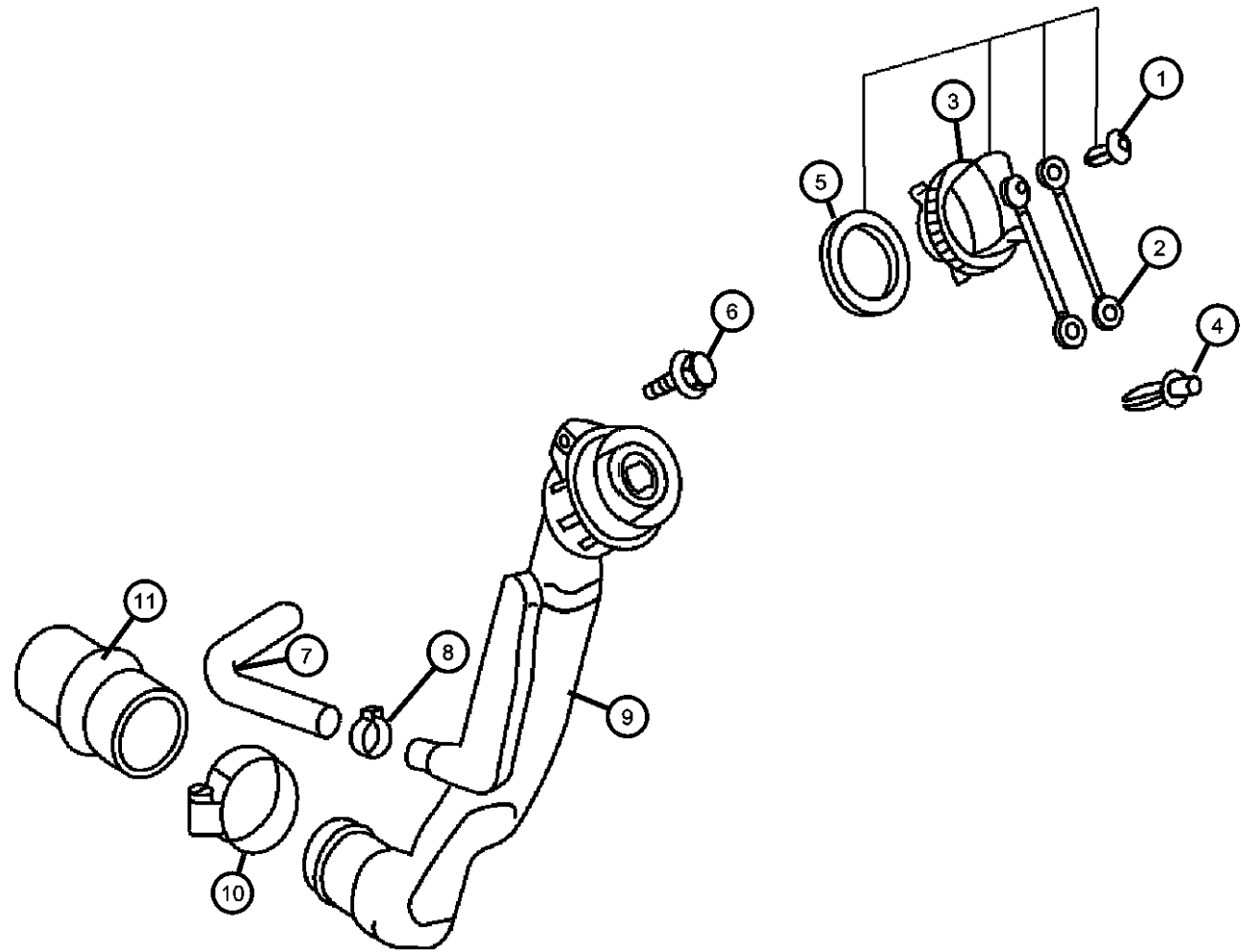
ITEM	PART NUMBER	QTY	LINE	SERIES	BODY	ENGINE	TRANS	TRIM	DESCRIPTION
Sales Codes:EX8=ENGINE-2.7L I5 MERCEDES TURBO DGJ=TRANSMISSION - 5-SPD AUTO									
1									RIVET
	06104903AA	1	2, 6	L	01, 02, 06	EX8	DGJ		
		1	2, 6	L	11, 12, 14, 15, 16	EX8	DGJ		
		1	2, 6	L	51, 52, 54, 55, 56	EX8	DGJ		
		1	3, 7	L	02, 06	EX8	DGJ		
		1	3, 7	L	12, 15, 16	EX8	DGJ		
2									TETHER, Fuel Filler Cap
	05133915AA	1	3, 7	L	12, 15, 16	EX8	DGJ		
		1	2, 6	L	01, 02, 06	EX8	DGJ		
		1	2, 6	L	11, 12, 14, 15, 16	EX8	DGJ		
		1	2, 6	L	51, 52, 54, 55, 56	EX8	DGJ		
		1	3, 7	L	02, 06	EX8	DGJ		
3									CAP, Fuel Filler
	05119573AA	1	2, 6	L	01, 02, 06	EX8	DGJ		
		1	2, 6	L	11, 12, 14, 15, 16	EX8	DGJ		
		1	2, 6	L	51, 52, 54, 55, 56	EX8	DGJ		
		1	3, 7	L	02, 06	EX8	DGJ		
		1	3, 7	L	12, 15, 16	EX8	DGJ		
4									RIVET
	05103787AA	1	2, 6	L	51, 52, 54, 56, 55	EX8	DGJ		
		1	3, 7	L	02, 06	EX8	DGJ		
		1	3, 7	L	12, 15, 16	EX8	DGJ		
		1	2, 6	L	01, 02, 06	EX8	DGJ		

SPRINTER (VA)

SERIES	LINE	BODY	ENGINE	TRANSMISSION
L = LOWLINE	3 = HD DODGE 2WD 8 = HD DODGE 4WD 6 = Lt. Duty DODGE 4WD 2 = Med. Duty DODGE 2WD 7 = Med. Duty DODGE 4WD 4 = TRUCK	12 = Van 140" 51 = Wagon 118" 52 = Wagon 140" 14 = Van 118" 15 = Van 140" 16 = Van 158" 54 = Wagon 118" 55 = Wagon 140" 56 = Wagon 158" 01 = Chassis Forward Control 118" 02 = Chassis Forward Control 140" 06 = Front Section 158" 11 = Van 118"	EX8 = Engine - 2.7L I5 Mercedes-Benz TD	DGJ = Transmission - 5-Spd Auto, MB

AR = use ase required - = Non illustrated part

Fuel Tank Filler Tube
Figure 14-210



ITEM	PART NUMBER	QTY	LINE	SERIES	BODY	ENGINE	TRANS	TRIM	DESCRIPTION
5		1	2, 6	L	11, 12, 14, 15, 16	EX8	DGJ		SEAL, Fuel Cap
	05133916AA	1	2, 6	L	01, 02, 06	EX8	DGJ		
		1	2, 6	L	11, 12, 14, 15, 16	EX8	DGJ		
		1	2, 6	L	51, 52, 54, 55, 56	EX8	DGJ		
		1	3, 7	L	02, 06	EX8	DGJ		
		1	3, 7	L	12, 15, 16	EX8	DGJ		
6	06104515AA	1	2, 6	L	01, 02, 06				SCREW, Fuel Filler Tube Mounting
		1	2, 6	L	11, 12, 14, 15, 16				
		1	2, 6	L	51, 52, 54, 55, 56				
		1	3, 7	L	02, 06				
		1	3, 7	L	12, 15, 16				
7									HOSE
	05097844AA	100	3, 7	L	12, 15, 16	EX8	DGJ		15 Meters Long
	05103949AA	1	2, 6	L	01, 02, 06	EX8	DGJ		1 Meter Long
		1	2, 6	L	11, 12, 14, 15, 16	EX8	DGJ		1 Meter Long
		1	2, 6	L	51, 55, 56, 52, 54	EX8	DGJ		1 Meter Long
		1	3, 7	L	02, 06	EX8	DGJ		1 Meter Long
8									CLAMP
	06104780AA	4	2, 6	L	51, 52, 54, 55, 56	EX8	DGJ		
		1	3, 7	L	02, 06	EX8	DGJ		
		4	3, 7	L	12, 15, 16	EX8	DGJ		
		1	2, 6	L	01, 02, 06	EX8	DGJ		

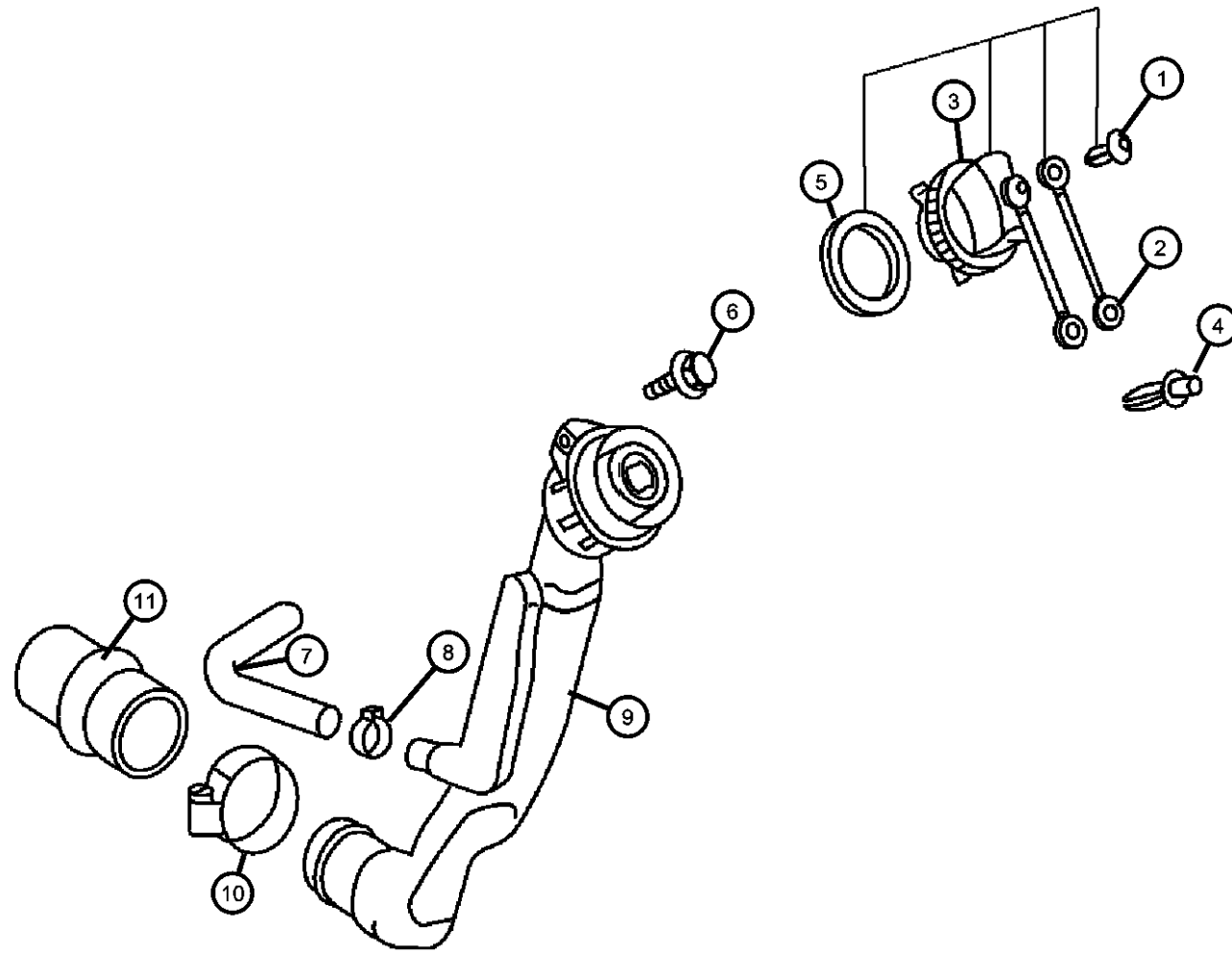
SPRINTER (VA)

SERIES	LINE	BODY	ENGINE	TRANSMISSION
L = LOWLINE	3 = HD DODGE 2WD	12 = Van 140"	EX8 = Engine - 2.7L I5	DGJ = Transmission - 5-Spd Auto, MB
	8 = HD DODGE 4WD	51 = Wagon 118"	Mercedes-Benz TD	
	6 = Lt. Duty DODGE 4WD	52 = Wagon 140"		
	2 = Med. Duty DODGE 2WD	14 = Van 118"		
	7 = Med. Duty DODGE 4WD	15 = Van 140"		
	4 = TRUCK	16 = Van 158"		
		54 = Wagon 118"		
		55 = Wagon 140"		
		56 = Wagon 158"		
		01 = Chassis Forward Control 118"		
		02 = Chassis Forward Control 140"		
		06 = Front Section 158"		
		11 = Van 118"		

AR = use ase required - = Non illustrated part

2005 VA

Fuel Tank Filler Tube
Figure 14-210



ITEM	PART NUMBER	QTY	LINE	SERIES	BODY	ENGINE	TRANS	TRIM	DESCRIPTION
9		4	2, 6	L	11, 12, 14, 15, 16	EX8	DGJ		TUBE, Fuel Filler
	05104103AA	1	2, 6	L	01, 02, 06	EX8	DGJ		
		1	2, 6	L	11, 12, 14, 15, 16	EX8	DGJ		
		1	2, 6	L	51, 55, 56, 52, 54	EX8	DGJ		
		1	3, 7	L	02, 06	EX8	DGJ		
		1	3, 7	L	12, 15, 16	EX8	DGJ		
10		1	2, 6	L	01, 02, 06	EX8	DGJ		CLAMP, Hose
	05104601AA	1	2, 6	L	01, 02, 06	EX8	DGJ		
		1	2, 6	L	11, 12, 14, 15, 16	EX8	DGJ		
		1	2, 6	L	51, 52, 54, 55, 56	EX8	DGJ		
		1	3, 7	L	02, 06	EX8	DGJ		
		1	3, 7	L	12, 15, 16	EX8	DGJ		
11		1	2, 6	L	01, 02, 06	EX8	DGJ		HOSE
	05119668AA	1	2, 6	L	01, 02, 06	EX8	DGJ		
		1	2, 6	L	11, 12, 14, 15, 16	EX8	DGJ		
		1	2, 6	L	51, 52, 54, 55, 56	EX8	DGJ		
		1	3, 7	L	02, 06	EX8	DGJ		
		1	3, 7	L	12, 15, 16	EX8	DGJ		

SPRINTER (VA)

SERIES

L = LOWLINE

LINE

3 = HD DODGE 2WD
8 = HD DODGE 4WD
6 = Lt. Duty DODGE 4WD
2 = Med. Duty DODGE 2WD
7 = Med. Duty DODGE 4WD
4 = TRUCK

BODY

12 = Van 140"
51 = Wagon 118"
52 = Wagon 140"
14 = Van 118"
15 = Van 140"
16 = Van 158"
54 = Wagon 118"
55 = Wagon 140"
56 = Wagon 158"
01 = Chassis Forward Control 118"
02 = Chassis Forward Control 140"
06 = Front Section 158"
11 = Van 118"

ENGINE

EX8 = Engine - 2.7L I5 Mercedes-Benz TD

TRANSMISSION

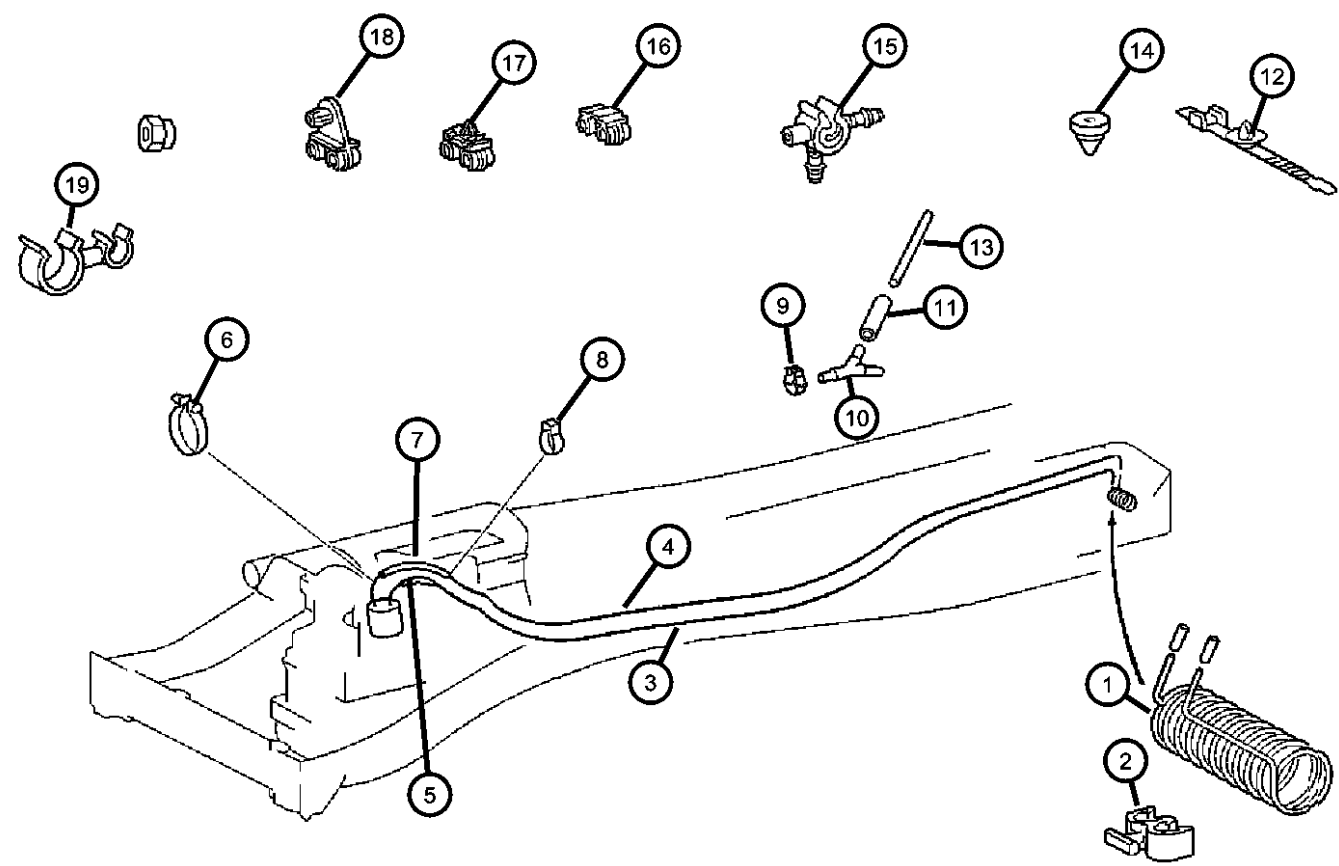
DGJ = Transmission - 5-Spd Auto, MB

AR = use ase required - = Non illustrated part

2005 VA

Fuel Lines
Figure 14-310

ITEM	PART NUMBER	QTY	LINE	SERIES	BODY	ENGINE	TRANS	TRIM	DESCRIPTION
1	05127509AA	1	2, 6	L	01, 02, 06	EX8	DGJ		COOLER, Fuel, Diesel
		1	2, 6	L	11, 12, 14, 15, 16	EX8	DGJ		
		1	2, 6	L	51, 52, 54, 55, 56	EX8	DGJ		
		1	3, 7	L	02, 06	EX8	DGJ		
		1	3, 7	L	12, 15, 16	EX8	DGJ		
2	05119698AA	3	2, 6	L	01, 02, 06	EX8	DGJ		CLIP, Fuel Line
		3	2, 6	L	11, 12, 14, 15, 16	EX8	DGJ		
		3	2, 6	L	51, 52, 54, 55, 56	EX8	DGJ		
		3	3, 7	L	02, 06	EX8	DGJ		
		3	3, 7	L	12, 15, 16	EX8	DGJ		
3	05119646AA	1	2, 6	L	51, 52, 54, 55, 56	EX8	DGJ		TUBE, Fuel Supply
		1	2, 6	L	01, 02, 06	EX8	DGJ		
		1	2, 6	L	11, 12, 14, 15, 16	EX8	DGJ		
		1	3, 7	L	02, 06	EX8	DGJ		
		1	3, 7	L	12, 15, 16	EX8	DGJ		
4	05119647AA	1	2, 6	L	01, 02, 06	EX8	DGJ		TUBE, Fuel Return Line
		1	2, 6	L	11, 12, 14, 15, 16	EX8	DGJ		
		1	2, 6	L	51, 52, 54, 55, 56	EX8	DGJ		
		1	3, 7	L	02, 06	EX8	DGJ		
		1	3, 7	L	12, 15, 16	EX8	DGJ		
5	05137327AA	1	2, 3, 6, 7	L		EX8	DGJ		TUBE, Fuel

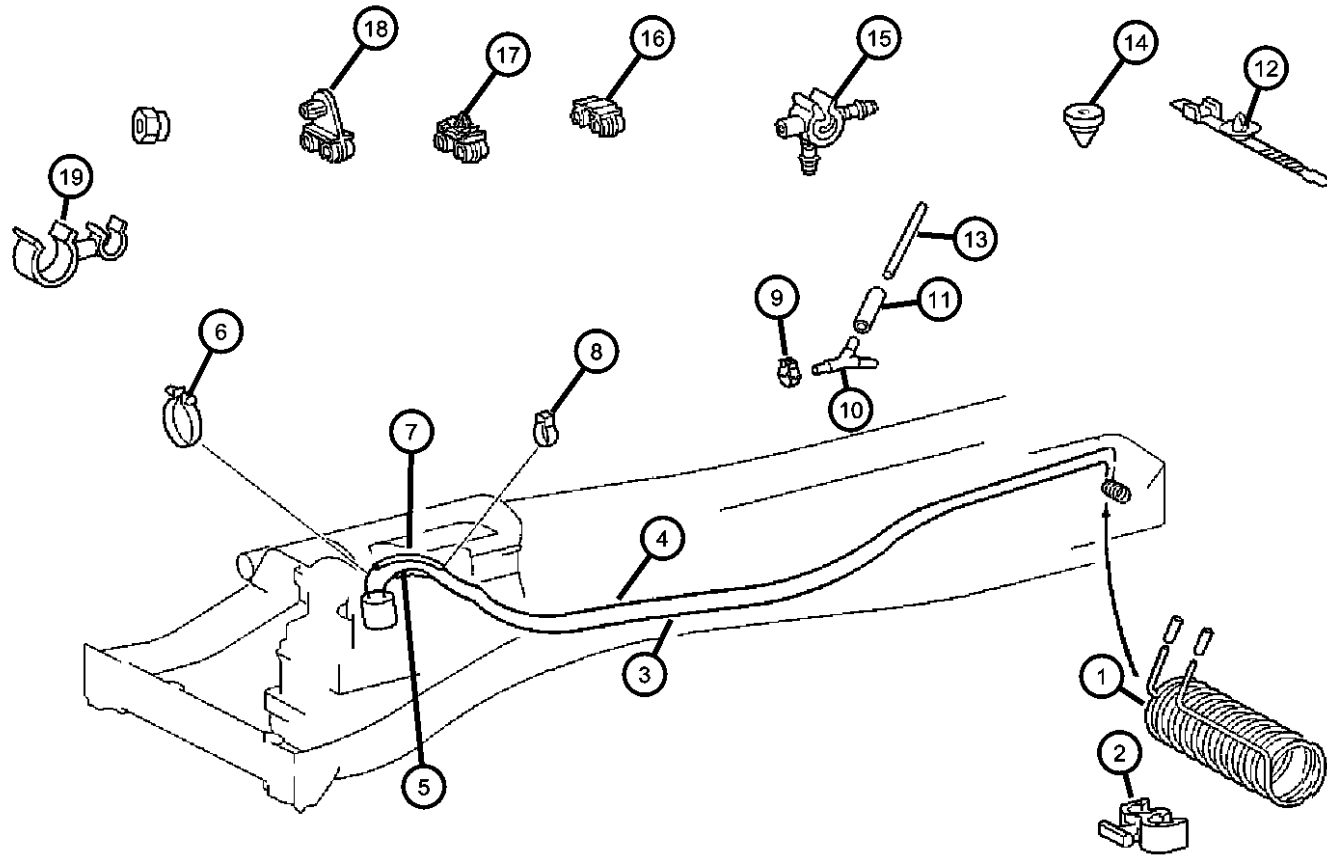


SPRINTER (VA)

SERIES	LINE	BODY	ENGINE	TRANSMISSION
L = LOWLINE	3 = HD DODGE 2WD 8 = HD DODGE 4WD 6 = Lt. Duty DODGE 4WD 2 = Med. Duty DODGE 2WD 7 = Med. Duty DODGE 4WD 4 = TRUCK	12 = Van 140" 51 = Wagon 118" 52 = Wagon 140" 14 = Van 118" 15 = Van 140" 16 = Van 158" 54 = Wagon 118" 55 = Wagon 140" 56 = Wagon 158" 01 = Chassis Forward Control 118" 02 = Chassis Forward Control 140" 06 = Front Section 158" 11 = Van 118"	EX8 = Engine - 2.7L I5 Mercedes-Benz TD	DGJ = Transmission - 5-Spd Auto, MB

AR = use ase required - = Non illustrated part

Fuel Lines
Figure 14-310



ITEM	PART NUMBER	QTY	LINE	SERIES	BODY	ENGINE	TRANS	TRIM	DESCRIPTION
	05133919AB	1	2, 6	L	01, 02, 06	EX8	DGJ		1 Meter Long
		1	2, 6	L	11, 12, 14, 15, 16	EX8	DGJ		1 Meter Long
		1	2, 6	L	51, 52, 54, 55, 56	EX8	DGJ		1 Meter Long
12									TIE STRAP, Push In
	05126078AA	99	2, 6	L	01, 02, 06	EX8	DGJ		
		99	2, 6	L	11, 12, 14, 15, 16	EX8	DGJ		
		99	2, 6	L	51, 52, 54, 55, 56	EX8	DGJ		
		2	3, 7	L	02, 06	EX8	DGJ		
		99	3, 7	L	12, 15, 16	EX8	DGJ		
13									PIPE, Fuel
	05133633AA	100	2, 6	L	01, 02, 06	EX8	DGJ		1 Meter Long
		100	2, 6	L	11, 12, 14, 15, 16	EX8	DGJ		1 Meter Long
		100	2, 6	L	51, 52, 54, 55, 56	EX8	DGJ		1 Meter Long
14									BUMPER, Rubber
	05125501AA	1	2, 6	L	01, 02, 06	EX8	DGJ		
		2	2, 6	L	11, 12, 14, 15, 16	EX8	DGJ		
		1	2, 6	L	51, 52, 54, 55, 56	EX8	DGJ		
		1	3, 7	L	02, 06	EX8	DGJ		
		2	3, 7	L	12, 15, 16	EX8	DGJ		
15									CLIP, Retaining
	06104924AA	1	2, 6	L	01, 02, 06	EX8	DGJ		
		1	2, 6	L	11, 12, 14, 15, 16	EX8	DGJ		
		1	2, 6	L	51, 52, 54, 55, 56	EX8	DGJ		

SPRINTER (VA)

SERIES

L = LOWLINE

LINE

3 = HD DODGE 2WD
8 = HD DODGE 4WD
6 = Lt. Duty DODGE 4WD
2 = Med. Duty DODGE 2WD
7 = Med. Duty DODGE 4WD
4 = TRUCK

BODY

12 = Van 140"
51 = Wagon 118"
52 = Wagon 140"
14 = Van 118"
15 = Van 140"
16 = Van 158"
54 = Wagon 118"
55 = Wagon 140"
56 = Wagon 158"
01 = Chassis Forward Control 118"
02 = Chassis Forward Control 140"
06 = Front Section 158"
11 = Van 118"

ENGINE

EX8 = Engine - 2.7L I5 Mercedes-Benz TD

TRANSMISSION

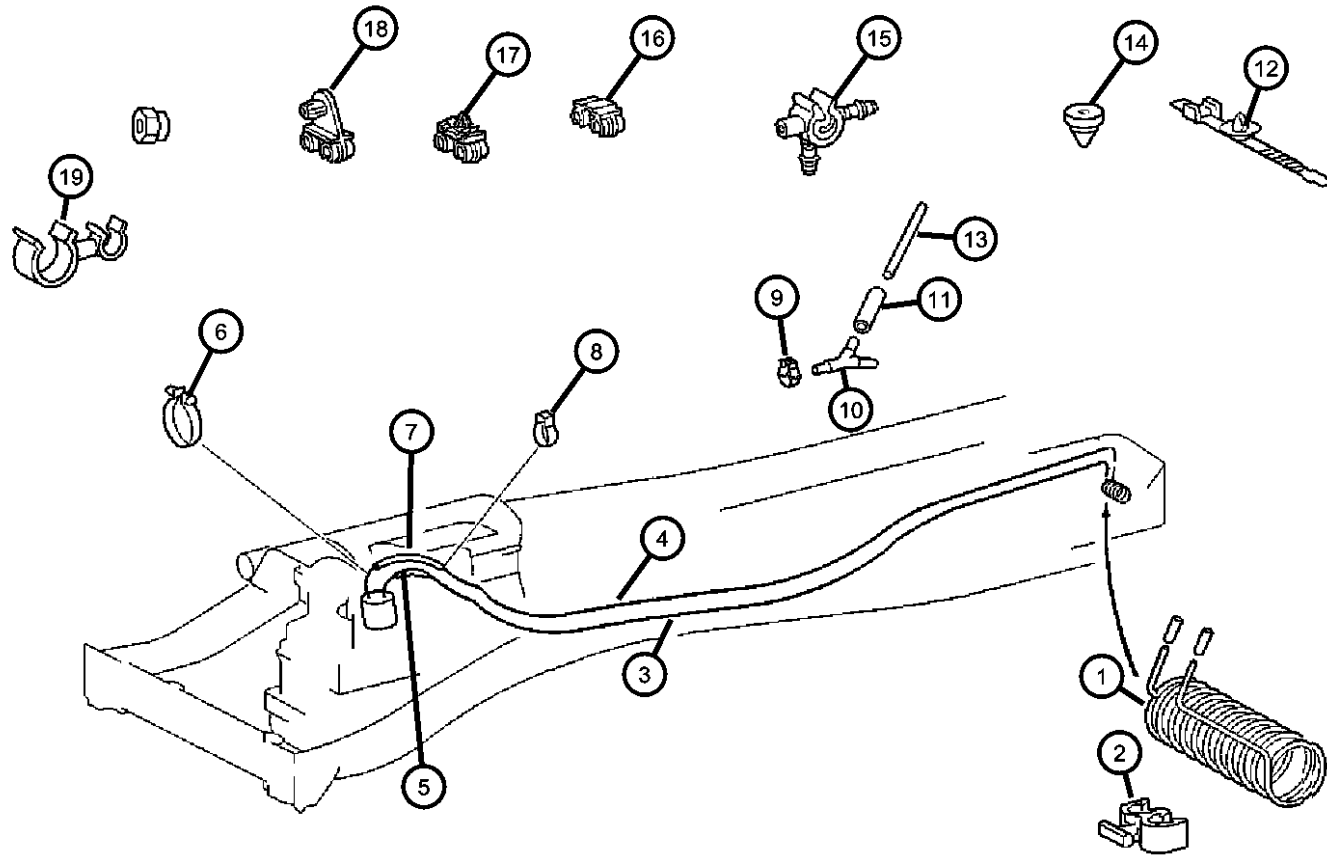
DGJ = Transmission - 5-Spd Auto, MB

AR = use ase required - = Non illustrated part

2005 VA

Fuel Lines
Figure 14-310

ITEM	PART NUMBER	QTY	LINE	SERIES	BODY	ENGINE	TRANS	TRIM	DESCRIPTION
		1	3, 7	L	02, 06	EX8	DGJ		
		1	3, 7	L	12, 15, 16	EX8	DGJ		
16		1							BRACKET, Fuel Line, (NOT SERVICED)
17		1							CLIP, Fuel Line, (NOT SERVICED)
18		1							BRACKET, Fuel Line, (NOT SERVICED)
19									CLAMP
	05080437AB	2	2, 6	L	01, 02, 06	EX8	DGJ		
		99	2, 6	L	51, 52, 54, 55, 56	EX8	DGJ		
		2	3, 7	L	02, 06	EX8	DGJ		
		99	3, 7	L	12, 15, 16	EX8	DGJ		
		99	2, 6	L	11, 12, 14, 15, 16	EX8	DGJ		

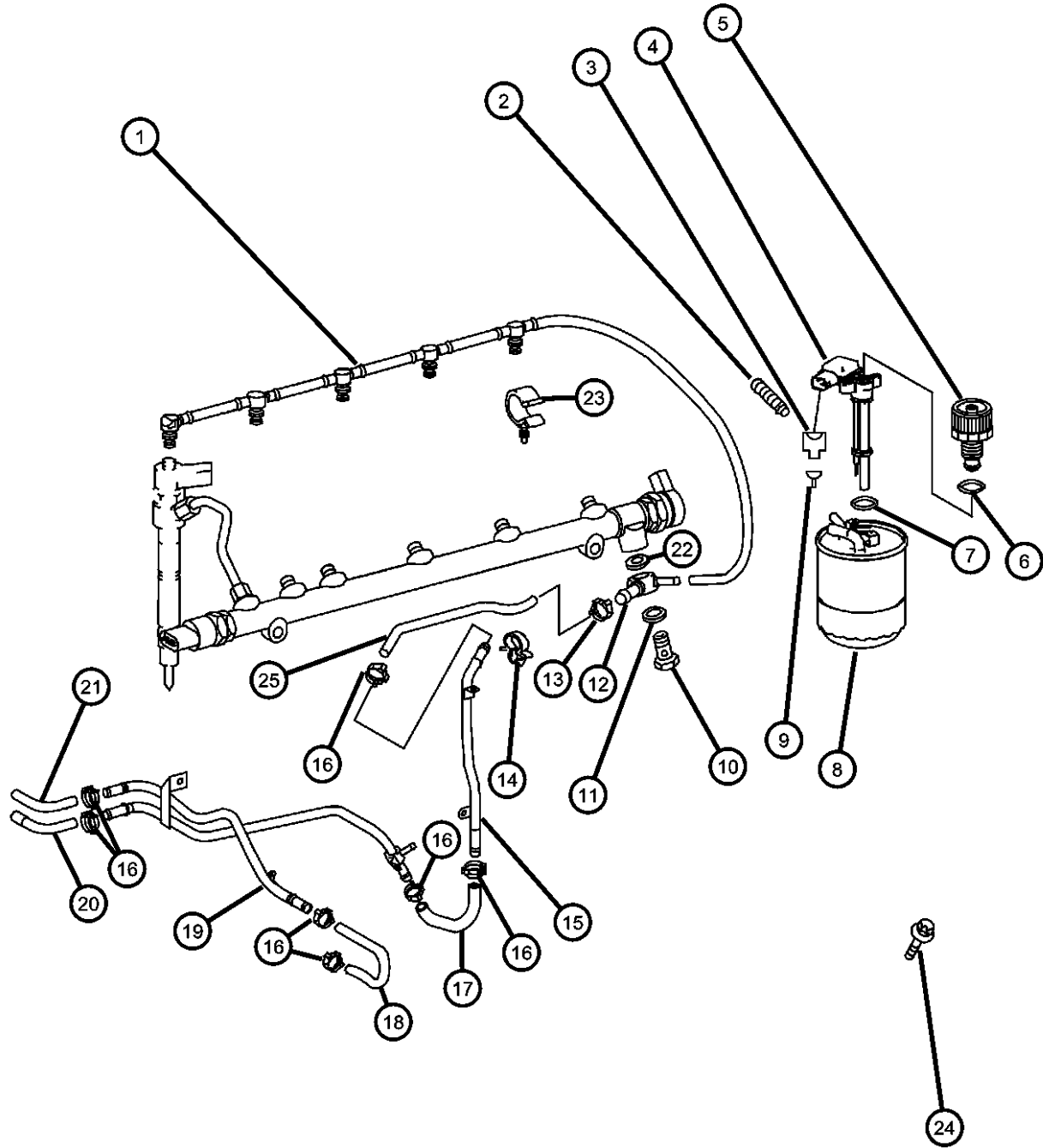


SPRINTER (VA)

SERIES	LINE	BODY	ENGINE	TRANSMISSION
L = LOWLINE	3 = HD DODGE 2WD 8 = HD DODGE 4WD 6 = Lt. Duty DODGE 4WD 2 = Med. Duty DODGE 2WD 7 = Med. Duty DODGE 4WD 4 = TRUCK	12 = Van 140" 51 = Wagon 118" 52 = Wagon 140" 14 = Van 118" 15 = Van 140" 16 = Van 158" 54 = Wagon 118" 55 = Wagon 140" 56 = Wagon 158" 01 = Chassis Forward Control 118" 02 = Chassis Forward Control 140" 06 = Front Section 158" 11 = Van 118"	EX8 = Engine - 2.7L I5 Mercedes-Benz TD	DGJ = Transmission - 5-Spd Auto, MB

AR = use ase required - = Non illustrated part

Fuel Line and Filter
Figure 14-320



ITEM	PART NUMBER	QTY	LINE	SERIES	BODY	ENGINE	TRANS	TRIM	DESCRIPTION
1	05080487AA	1	2, 3, 6, 7	L		EX8	DGJ		TUBE
2	05135867AA	900	2, 3, 6, 7	L		EX8	DGJ		INSULATOR
3	05135845AA	1	2, 3, 6, 7	L		EX8	DGJ		CONNECTOR, Wiring Repair
4	05117542AA	1	2, 3, 6, 7	L		EX8	DGJ		SENSOR, Fuel/Water
5	05073900AA	1	2, 3, 6, 7	L		EX8	DGJ		SCREW
6	05179861AA	2	2, 3, 6, 7	L		EX8	DGJ		O RING
7	05138876AA	1	2, 3, 6, 7	L		EX8	DGJ		O RING
8	05117494AA	1	2, 3, 6, 7	L		EX8	DGJ		FILTER, Fuel
9	05135801AA	99	2, 3, 6, 7	L		EX8	DGJ		WIRING REPAIR KIT, Diesel Engine
10	05080339AA	1	2, 3, 6, 7	L		EX8	DGJ		BOLT, Banjo
11	05104625AA	2	2, 3, 6, 7	L		EX8	DGJ		O RING
12	05103977AA	1	2, 3, 6, 7	L		EX8	DGJ		UNION
13	05080439AB	1	2, 3, 6, 7	L		EX8	DGJ		CLAMP
14	05080091AB	1	2, 3, 6, 7	L		EX8	DGJ		CLAMP
15	05137327AA	1	2, 3, 6, 7	L		EX8	DGJ		TUBE, Fuel
16	05080439AC	1	2, 6	L	06, 01, 02	EX8	DGJ		CLAMP
17	05137356AA	1	2, 3, 6, 7	L		EX8	DGJ		HOSE, Fuel
18	05137341AB	1	2, 3, 6, 7	L		EX8	DGJ		HOSE, Fuel
19	05137332AA	1	2, 3, 6, 7	L		EX8	DGJ		TUBE
20	05174009AA	1	2, 3, 6, 7	L		EX8	DGJ		HOSE, Fuel
21	05174008AA	1	3, 6, 7, 2	L		EX8	DGJ		HOSE, Fuel
22	05104625AA	2	2, 3, 6, 7	L		EX8	DGJ		O RING
23	05080431AB	1	2, 3, 6, 7	L		EX8	DGJ		CLAMP
24	05073723AB	3	2, 3, 6, 7	L		EX8	DGJ		SCREW
25	05174010AA	1	2, 3, 6, 7	L		EX8	DGJ		HOSE, Fuel

SPRINTER (VA)

SERIES

L = LOWLINE

LINE

3 = HD DODGE 2WD
 8 = HD DODGE 4WD
 6 = Lt. Duty DODGE 4WD
 2 = Med. Duty DODGE 2WD
 7 = Med. Duty DODGE 4WD
 4 = TRUCK

BODY

12 = Van 140"
 51 = Wagon 118"
 52 = Wagon 140"
 14 = Van 118"
 15 = Van 140"
 16 = Van 158"
 54 = Wagon 118"
 55 = Wagon 140"
 56 = Wagon 158"
 01 = Chassis Forward Control
 118"
 02 = Chassis Forward Control
 140"
 06 = Front Section 158"
 11 = Van 118"

ENGINE

EX8 = Engine - 2.7L I5
 Mercedes-Benz TD

TRANSMISSION

DGJ = Transmission - 5-Spd Auto, MB

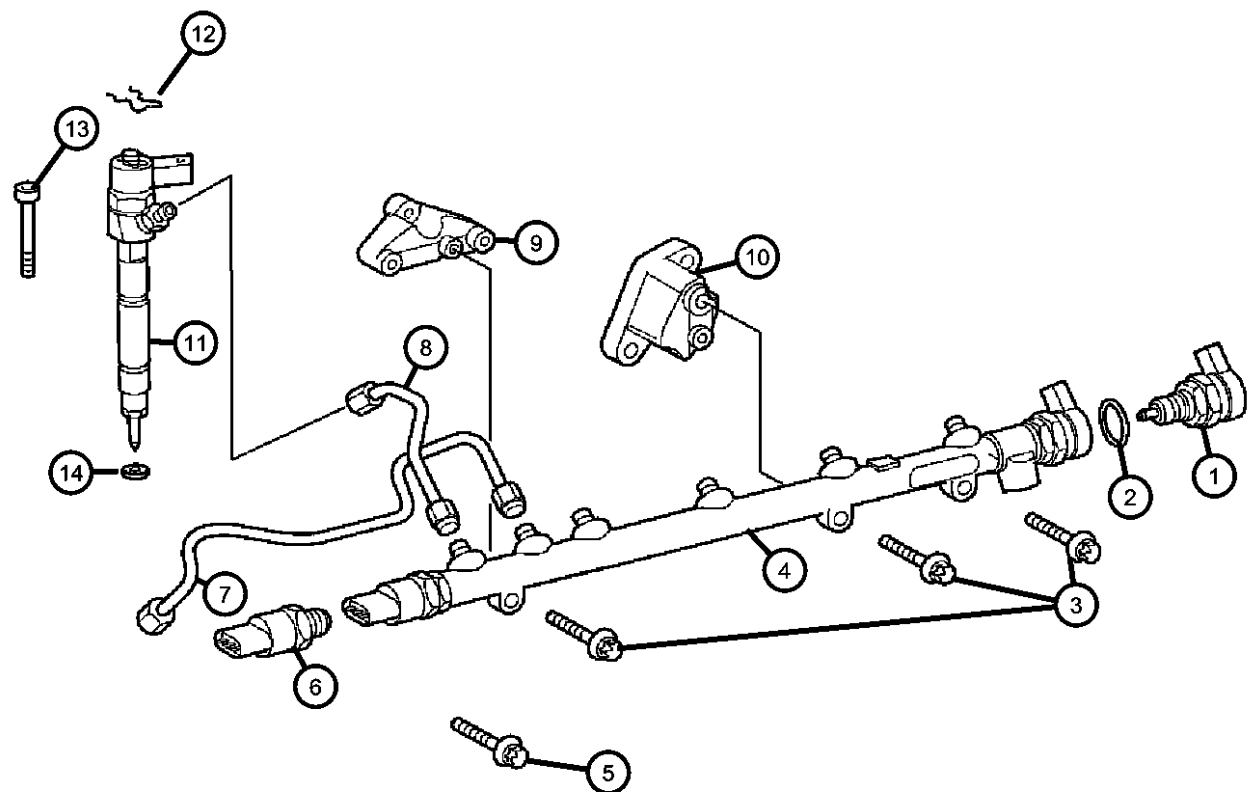
AR = use ase required - = Non illustrated part

**Injection System [EX8]
Figure 14-410**

ITEM	PART NUMBER	QTY	LINE	SERIES	BODY	ENGINE	TRANS	TRIM	DESCRIPTION
------	-------------	-----	------	--------	------	--------	-------	------	-------------

Sales Codes:EX9=ENGINE-2.7L I5 MERCEDES TURBO
DGJ=TRANSMISSION - 5-SPD AUTO

1	05137291AA	1	2, 3, 6, 7	L		EX8	DGJ		VALVE
2	05138007AA	1	2, 3, 6, 7	L		EX8	DGJ		O RING
3	05073701AA	6	2, 3, 6, 7	L		EX8	DGJ		SCREW
4	05137290AA	1	2, 3, 6, 7	L		EX8	DGJ		RAIL, Fuel
5	05073701AA	6	2, 3, 6, 7	L		EX8	DGJ		SCREW
6	05117543AA	1	2, 3, 6, 7	L		EX8	DGJ		SENDING UNIT, Fuel
7	05117421AA	1	2, 3, 6, 7	L		EX8	DGJ		TUBE, Fuel Injector Supply
8	05117422AA	5	2, 3, 6, 7	L		EX8	DGJ		TUBE, Fuel Injector Supply
9	05117449AA	1	2, 3, 6, 7	L		EX8	DGJ		CLIP, Fuel Injector
10	05117450AA	1	2, 3, 6, 7	L		EX8	DGJ		CLIP, Fuel Injector
11	05137297AA	5	2, 3, 6, 7	L		EX8	DGJ		INJECTOR, Fuel
12	05086296AA	5	2, 3, 6, 7	L		EX8	DGJ		CLIP, Fuel Injector
13	05073719AB	5	2, 3, 6, 7	L		EX8	DGJ		SCREW
14	05080301AA	5	2, 3, 6, 7	L		EX8	DGJ		O RING, Fuel Injector



SPRINTER (VA)

SERIES	LINE	BODY	ENGINE	TRANSMISSION
L = LOWLINE	3 = HD DODGE 2WD 8 = HD DODGE 4WD 6 = Lt. Duty DODGE 4WD 2 = Med. Duty DODGE 2WD 7 = Med. Duty DODGE 4WD 4 = TRUCK	12 = Van 140" 51 = Wagon 118" 52 = Wagon 140" 14 = Van 118" 15 = Van 140" 16 = Van 158" 54 = Wagon 118" 55 = Wagon 140" 56 = Wagon 158" 01 = Chassis Forward Control 118" 02 = Chassis Forward Control 140" 06 = Front Section 158" 11 = Van 118"	EX8 = Engine - 2.7L I5 Mercedes-Benz TD	DGJ = Transmission - 5-Spd Auto, MB

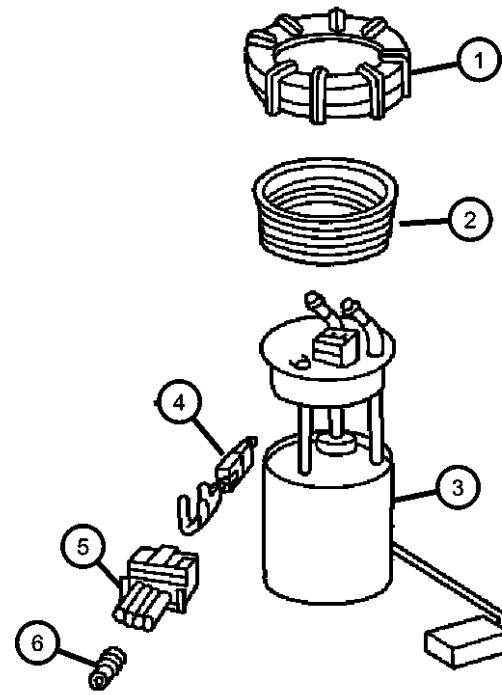
AR = use ase required - = Non illustrated part

2005 VA

Fuel Module
Figure 14-510

ITEM	PART NUMBER	QTY	LINE	SERIES	BODY	ENGINE	TRANS	TRIM	DESCRIPTION
------	-------------	-----	------	--------	------	--------	-------	------	-------------

Sales Codes:EX8=2.7L I5 MERCEDES-BENZ
DGJ=TRANSMISSION - 5-SPD AUTO



1									NUT, Fuel Pump Module
	05104539AA	1	2, 6	L	01, 02, 06	EX8	DGJ		
		1	2, 6	L	11, 12, 14, 15, 16	EX8	DGJ		
		1	2, 6	L	51, 52, 54, 55, 56	EX8	DGJ		
		1	3, 7	L	02, 06	EX8	DGJ		
		1	3, 7	L	12, 15, 16	EX8	DGJ		
2									SEAL, Fuel Pump and Level Unit
	05119613AA	1	2, 6	L	01, 02, 06	EX8	DGJ		
		1	2, 6	L	11, 12, 14, 15, 16	EX8	DGJ		
		1	2, 6	L	51, 52, 54, 55, 56	EX8	DGJ		
		1	3, 7	L	02, 06	EX8	DGJ		
		1	3, 7	L	12, 15, 16	EX8	DGJ		
3									MODULE, Fuel Tank - Diesel
	05119605AA	1	2, 6	L	01, 02, 06	EX8	DGJ		
		1	2, 6	L	11, 12, 14, 15, 16	EX8	DGJ		
		1	2, 6	L	51, 52, 54, 55, 56	EX8	DGJ		
	05119607AA	1	2, 6	L	51, 52, 54, 55, 56	EX8	DGJ		With heater booster
		1	3, 7	L	02, 06	EX8	DGJ		With heater booster
		1	3, 7	L	12, 15, 16	EX8	DGJ		With heater booster
4									TERMINAL
	05102935AA	1	2, 6	L	01, 02, 06	EX8	DGJ		
		99	2, 6	L	11, 12, 14, 15, 16	EX8	DGJ		
		99	2, 6	L	51, 52, 54, 55, 56	EX8	DGJ		

SPRINTER (VA)

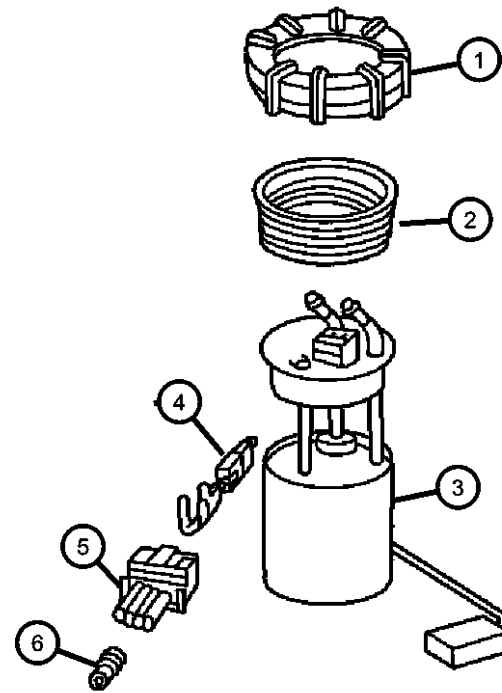
SERIES	LINE	BODY	ENGINE	TRANSMISSION
L = LOWLINE	3 = HD DODGE 2WD 8 = HD DODGE 4WD 6 = Lt. Duty DODGE 4WD 2 = Med. Duty DODGE 2WD 7 = Med. Duty DODGE 4WD 4 = TRUCK	12 = Van 140" 51 = Wagon 118" 52 = Wagon 140" 14 = Van 118" 15 = Van 140" 16 = Van 158" 54 = Wagon 118" 55 = Wagon 140" 56 = Wagon 158" 01 = Chassis Forward Control 118" 02 = Chassis Forward Control 140" 06 = Front Section 158" 11 = Van 118"	EX8 = Engine - 2.7L I5 Mercedes-Benz TD	DGJ = Transmission - 5-Spd Auto, MB

AR = use ase required - = Non illustrated part

2005 VA

Fuel Module
Figure 14-510

ITEM	PART NUMBER	QTY	LINE	SERIES	BODY	ENGINE	TRANS	TRIM	DESCRIPTION
		99	3, 7	L	02, 06	EX8	DGJ		
		99	3, 7	L	12, 15, 16	EX8	DGJ		
5	05120544AA	1	2, 6	L	01, 02, 06	EX8	DGJ		CONNECTOR
		1	2, 6	L	11, 12, 14, 15, 16	EX8	DGJ		
		1	2, 6	L	51, 52, 54, 55, 56	EX8	DGJ		
		1	3, 7	L	02, 06	EX8	DGJ		
		1	3, 7	L	12, 15, 16	EX8	DGJ		
6	05103661AA	99	2, 6	L	01, 02, 06	EX8	DGJ		GASKET
		99	2, 6	L	11, 12, 14, 15, 16	EX8	DGJ		
		99	2, 6	L	51, 52, 54, 55, 56	EX8	DGJ		
		1	3, 7	L	02, 06	EX8	DGJ		
		99	3, 7	L	12, 15, 16	EX8	DGJ		



SPRINTER (VA)

SERIES

L = LOWLINE

LINE

3 = HD DODGE 2WD
8 = HD DODGE 4WD
6 = Lt. Duty DODGE 4WD
2 = Med. Duty DODGE 2WD
7 = Med. Duty DODGE 4WD
4 = TRUCK

BODY

12 = Van 140"
51 = Wagon 118"
52 = Wagon 140"
14 = Van 118"
15 = Van 140"
16 = Van 158"
54 = Wagon 118"
55 = Wagon 140"
56 = Wagon 158"
01 = Chassis Forward Control
118"
02 = Chassis Forward Control
140"
06 = Front Section 158"
11 = Van 118"

ENGINE

EX8 = Engine - 2.7L I5
Mercedes-Benz TD

TRANSMISSION

DGJ = Transmission - 5-Spd Auto, MB

AR = use ase required - = Non illustrated part

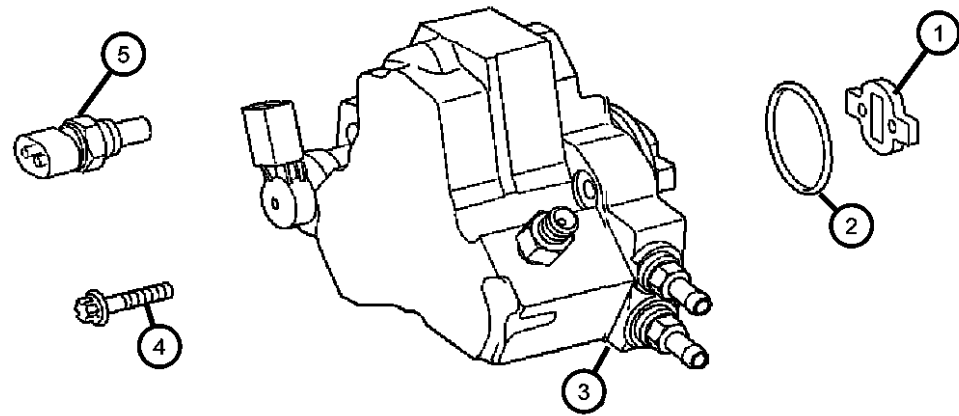
2005 VA

**Fuel Injection Pump [EX8]
Figure 14-610**

ITEM	PART NUMBER	QTY	LINE	SERIES	BODY	ENGINE	TRANS	TRIM	DESCRIPTION
------	-------------	-----	------	--------	------	--------	-------	------	-------------

Sales Codes:EX8=2.7L I5 MERCEDES-BENZ
DGJ=TRANSMISSION - 5-SPD AUTO

1	05103610AA	1	2, 3, 6, 7	L		EX8	DGJ		DRIVE, Fuel Pump
2	05080115AA	1	2, 3, 6, 7	L		EX8	DGJ		O RING
3	05142257AA	1	2, 3, 6, 7	L		EX8	DGJ		PUMP, Injection
4	05125739AA	3	2, 3, 6, 7	L		EX8	DGJ		SCREW
5	05103534AB	1	2, 3, 6, 7	L		EX8	DGJ		SENDING UNIT, Temperature Gauge
-6	05142115AA	1	2, 3, 6, 7	L		EX8	DGJ		VALVE, Flow Control



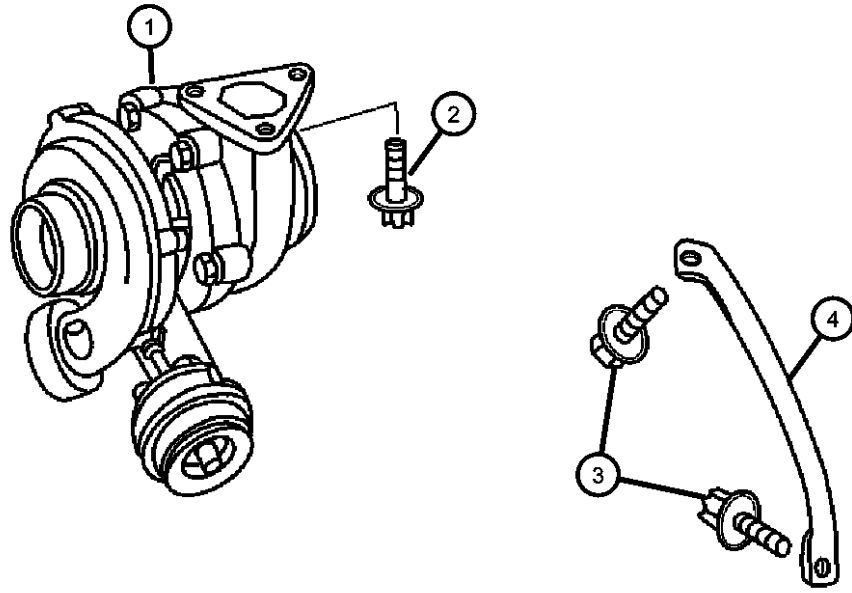
SPRINTER (VA)

SERIES	LINE	BODY	ENGINE	TRANSMISSION
L = LOWLINE	3 = HD DODGE 2WD 8 = HD DODGE 4WD 6 = Lt. Duty DODGE 4WD 2 = Med. Duty DODGE 2WD 7 = Med. Duty DODGE 4WD 4 = TRUCK	12 = Van 140" 51 = Wagon 118" 52 = Wagon 140" 14 = Van 118" 15 = Van 140" 16 = Van 158" 54 = Wagon 118" 55 = Wagon 140" 56 = Wagon 158" 01 = Chassis Forward Control 118" 02 = Chassis Forward Control 140" 06 = Front Section 158" 11 = Van 118"	EX8 = Engine - 2.7L I5 Mercedes-Benz TD	DGJ = Transmission - 5-Spd Auto, MB

AR = use ase required - = Non illustrated part

Turbo Charger
Figure 14-630

ITEM	PART NUMBER	QTY	LINE	SERIES	BODY	ENGINE	TRANS	TRIM	DESCRIPTION
Sales Codes:EX8=ENGINE-2.7L I5 MERCEDES TURBO DGJ=TRANSMISSION - 5-SPD AUTO									
1	05142494AA	1	2, 3, 6, 7	L		EX8	DGJ		TURBOCHARGER
2	05073720AB	3	2, 3, 6, 7	L		EX8	DGJ		SCREW
3	05073720AB	3	2, 3, 6, 7	L		EX8	DGJ		SCREW
4	05137201AA	1	2, 3, 6, 7	L		EX8	DGJ		BRACKET, Turbo Charger
-5	05137154AA	1	2, 3, 6, 7	L		EX8	DGJ		RESONATOR, Turbo, See Group 7 ILL#130
-6	05139047AA	1	2, 3, 6, 7	L		EX8	DGJ		O RING
-7	05138048AA	1	2, 3, 6, 7	L		EX8	DGJ		O RING
-8									COVER, Turbo Charger Compressor
	05104138AA	1	2, 6	L	01, 02, 06	EX8	DGJ		
		1	2, 6	L	11, 12, 14, 15, 16	EX8	DGJ		
		1	2, 6	L	51, 52, 54, 55, 56	EX8	DGJ		
		1	3, 7	L	02, 06	EX8	DGJ		
		1	3, 7	L	12, 15, 16	EX8	DGJ		



SPRINTER (VA)

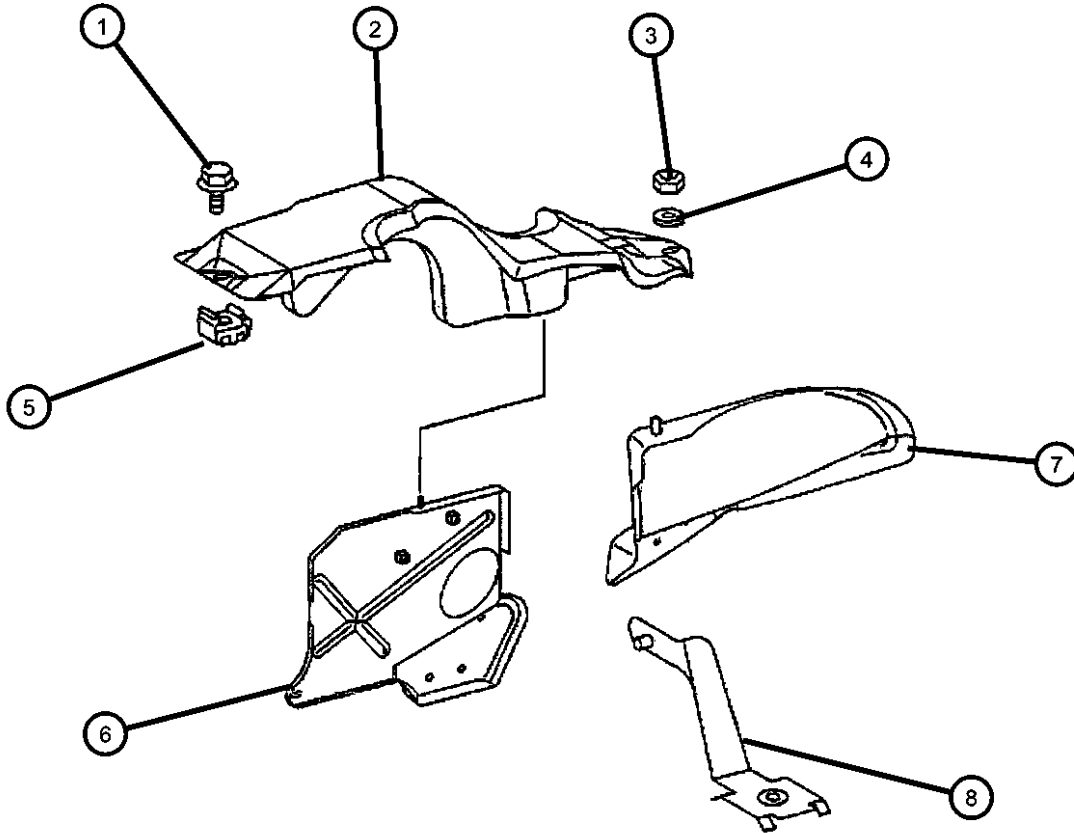
SERIES	LINE	BODY	ENGINE	TRANSMISSION
L = LOWLINE	3 = HD DODGE 2WD 8 = HD DODGE 4WD 6 = Lt. Duty DODGE 4WD 2 = Med. Duty DODGE 2WD 7 = Med. Duty DODGE 4WD 4 = TRUCK	12 = Van 140" 51 = Wagon 118" 52 = Wagon 140" 14 = Van 118" 15 = Van 140" 16 = Van 158" 54 = Wagon 118" 55 = Wagon 140" 56 = Wagon 158" 01 = Chassis Forward Control 118" 02 = Chassis Forward Control 140" 06 = Front Section 158" 11 = Van 118"	EX8 = Engine - 2.7L I5 Mercedes-Benz TD	DGJ = Transmission - 5-Spd Auto, MB

AR = use ase required - = Non illustrated part

2005 VA

**Turbo Charger Heat Shield
Figure 14-635**

ITEM	PART NUMBER	QTY	LINE	SERIES	BODY	ENGINE	TRANS	TRIM	DESCRIPTION
1									BOLT
	06104179AA	1	2, 6	L	01, 02, 06	EX8	DGJ		
		1	2, 6	L	11, 12, 14, 15, 16	EX8	DGJ		
		1	2, 6	L	51, 52, 54, 55, 56	EX8	DGJ		
		1	3, 7	L	02, 06	EX8	DGJ		
		1	3, 7	L	12, 15, 16	EX8	DGJ		
2									COVER, Turbo Charger Compressor
	05104138AA	1	2, 6	L	01, 02, 06	EX8	DGJ		
		1	2, 6	L	11, 12, 14, 15, 16	EX8	DGJ		
		1	2, 6	L	51, 52, 54, 55, 56	EX8	DGJ		
		1	3, 7	L	02, 06	EX8	DGJ		
		1	3, 7	L	12, 15, 16	EX8	DGJ		
3									NUT, Hex
	05097674AA	1	2, 6	L	01, 02, 06	EX8	DGJ		
		1	2, 6	L	11, 12, 14, 15, 16	EX8	DGJ		
		1	2, 6	L	51, 52, 54, 55, 56	EX8	DGJ		
		1	3, 7	L	02, 06	EX8	DGJ		
		1	3, 7	L	12, 15, 16	EX8	DGJ		
4									WASHER
	05133908AA	1	2, 6	L	01, 02, 06				
		1	2, 6	L	11, 12, 14, 15, 16				
		1	2, 6	L	51, 52, 54, 55, 56				
		1	3, 7	L	12, 15, 16				
5									NUT
	05126253AA	1	2, 6	L	01, 02, 06	EX8	DGJ		



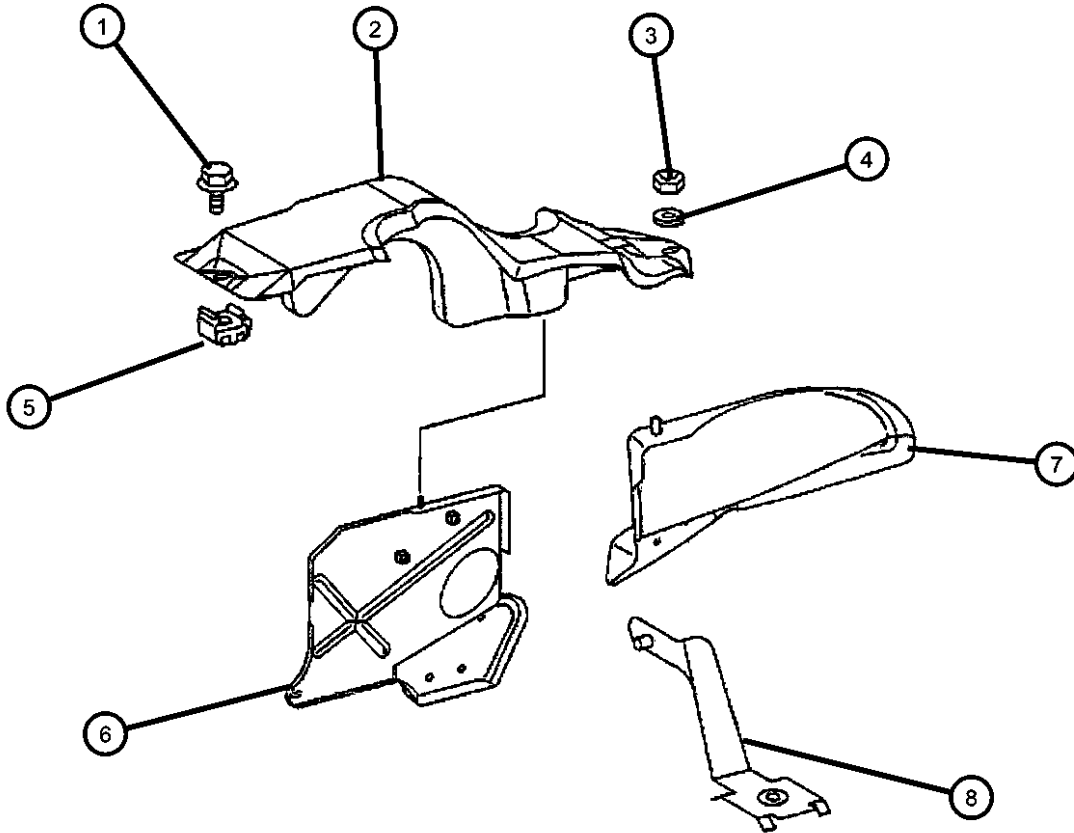
SPRINTER (VA)

SERIES	LINE	BODY	ENGINE	TRANSMISSION
L = LOWLINE	3 = HD DODGE 2WD 8 = HD DODGE 4WD 6 = Lt. Duty DODGE 4WD 2 = Med. Duty DODGE 2WD 7 = Med. Duty DODGE 4WD 4 = TRUCK	12 = Van 140" 51 = Wagon 118" 52 = Wagon 140" 14 = Van 118" 15 = Van 140" 16 = Van 158" 54 = Wagon 118" 55 = Wagon 140" 56 = Wagon 158" 01 = Chassis Forward Control 118" 02 = Chassis Forward Control 140" 06 = Front Section 158" 11 = Van 118"	EX8 = Engine - 2.7L I5 Mercedes-Benz TD	DGJ = Transmission - 5-Spd Auto, MB

AR = use ase required - = Non illustrated part

**Turbo Charger Heat Shield
Figure 14-635**

ITEM	PART NUMBER	QTY	LINE	SERIES	BODY	ENGINE	TRANS	TRIM	DESCRIPTION
		1	2, 6	L	11, 12, 14, 15, 16	EX8	DGJ		
		1	2, 6	L	51, 52, 54, 55, 56	EX8	DGJ		
		1	3, 7	L	02, 06	EX8	DGJ		
		1	3, 7	L	12, 15, 16	EX8	DGJ		
6	05120028AA	1	2, 6	L	01, 02, 06	EX8	DGJ		COVER, Air Inlet
		1	2, 6	L	11, 12, 14, 15, 16	EX8	DGJ		
		1	2, 6	L	51, 52, 54, 55, 56	EX8	DGJ		
		1	3, 7	L	02, 06	EX8	DGJ		
		1	3, 7	L	12, 15, 16	EX8	DGJ		
7	05120025AA	1	2, 6	L	01, 02, 06	EX8	DGJ		COVER, Air Inlet
		1	2, 6	L	11, 12, 14, 15, 16	EX8	DGJ		
		1	2, 6	L	51, 52, 54, 55, 56	EX8	DGJ		
		1	3, 7	L	02, 06	EX8	DGJ		
		1	3, 7	L	12, 15, 16	EX8	DGJ		
8	05120059AA	1	2, 6	L	01, 02, 06	EX8	DGJ		BRACKET, Air Inlet
		1	2, 6	L	11, 12, 14, 15, 16	EX8	DGJ		
		1	2, 6	L	51, 52, 54, 55, 56	EX8	DGJ		
		1	3, 7	L	02, 06	EX8	DGJ		
		1	3, 7	L	12, 15, 16	EX8	DGJ		



SPRINTER (VA)

SERIES

L = LOWLINE

LINE

3 = HD DODGE 2WD
 8 = HD DODGE 4WD
 6 = Lt. Duty DODGE 4WD
 2 = Med. Duty DODGE 2WD
 7 = Med. Duty DODGE 4WD
 4 = TRUCK

BODY

12 = Van 140"
 51 = Wagon 118"
 52 = Wagon 140"
 14 = Van 118"
 15 = Van 140"
 16 = Van 158"
 54 = Wagon 118"
 55 = Wagon 140"
 56 = Wagon 158"
 01 = Chassis Forward Control 118"
 02 = Chassis Forward Control 140"
 06 = Front Section 158"
 11 = Van 118"

ENGINE

EX8 = Engine - 2.7L I5 Mercedes-Benz TD

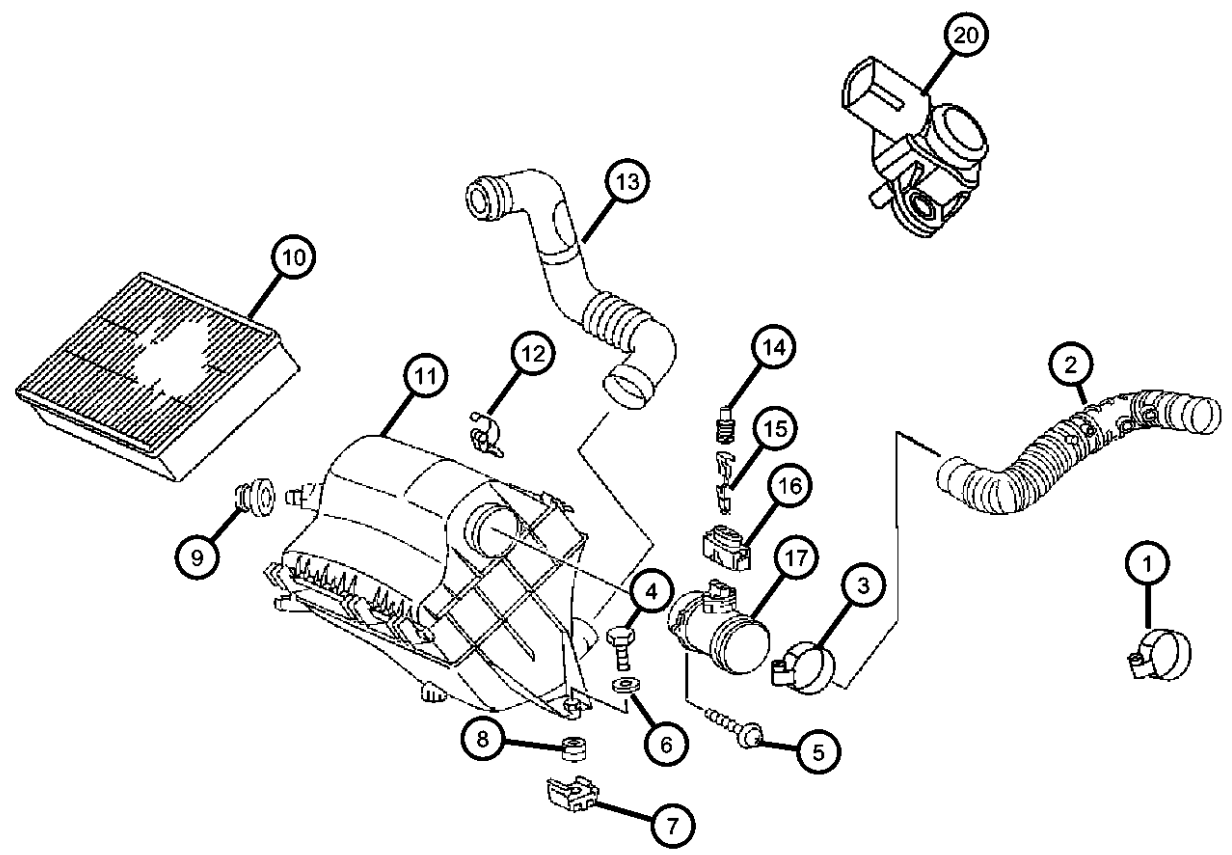
TRANSMISSION

DGJ = Transmission - 5-Spd Auto, MB

AR = use ase required - = Non illustrated part

2005 VA

**Air Cleaner
Figure 14-810**

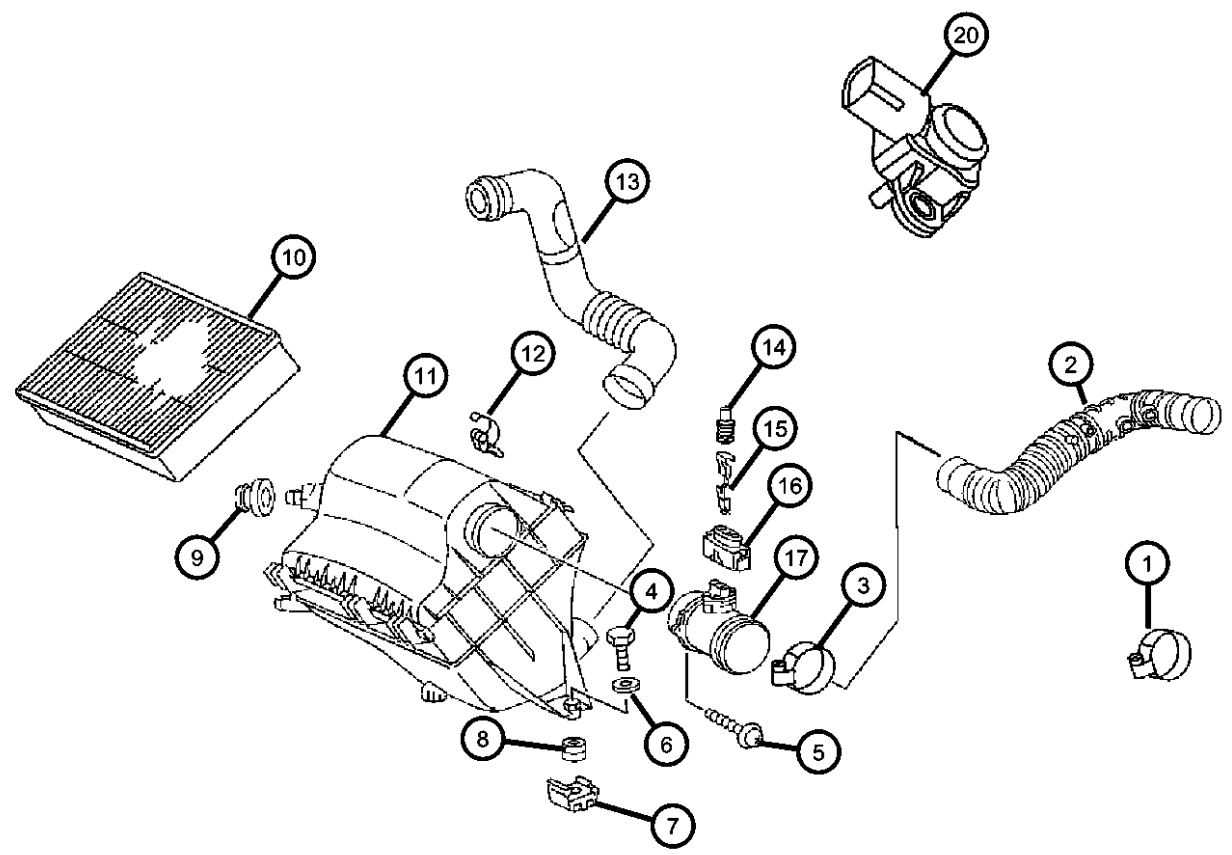


ITEM	PART NUMBER	QTY	LINE	SERIES	BODY	ENGINE	TRANS	TRIM	DESCRIPTION
1	06104787AA	1	2, 6	L	01, 02, 06	EX8	DGJ		CLAMP
		1	2, 6	L	11, 12, 14, 15, 16	EX8	DGJ		
		1	2, 6	L	51, 52, 54, 55, 56	EX8	DGJ		
		1	3, 7	L	02, 06	EX8	DGJ		
		1	3, 7	L	12, 15, 16	EX8	DGJ		
2	05120144AA	1	3, 7	L	02, 06	EX8	DGJ		HOSE, Air Cleaner
		1	3, 7	L	12, 15, 16	EX8	DGJ		
		1	2, 6	L	01, 02, 06	EX8	DGJ		
		1	2, 6	L	11, 12, 14, 15, 16	EX8	DGJ		
		1	2, 6	L	51, 52, 54, 55, 56	EX8	DGJ		
3	06104790AA	1	2, 6	L	01, 02, 06	EX8	DGJ		CLAMP
		1	2, 6	L	11, 12, 14, 15, 16	EX8	DGJ		
		1	2, 6	L	51, 52, 54, 55, 56	EX8	DGJ		
		1	3, 7	L	02, 06	EX8	DGJ		
		1	3, 7	L	12, 15, 16	EX8	DGJ		
4	06104124AA	1	2, 6	L	11, 12, 14, 15, 16				BOLT
		1	2, 6	L	51, 52, 54, 55, 56				
		1	3, 7	L	12, 15, 16				
		1	2, 6	L	01, 02, 06				
		1	3, 7	L	02, 06				
5									BOLT, Hex Head

SPRINTER (VA)
 SERIES LINE BODY ENGINE TRANSMISSION
 L = LOWLINE 3 = HD DODGE 2WD 12 = Van 140" EX8 = Engine - 2.7L I5 Mercedes-Benz TD DGJ = Transmission - 5-Spd Auto, MB
 8 = HD DODGE 4WD 51 = Wagon 118"
 6 = Lt. Duty DODGE 4WD 52 = Wagon 140"
 2 = Med. Duty DODGE 2WD 14 = Van 118"
 7 = Med. Duty DODGE 4WD 15 = Van 140"
 4 = TRUCK 16 = Van 158"
 54 = Wagon 118"
 55 = Wagon 140"
 56 = Wagon 158"
 01 = Chassis Forward Control 118"
 02 = Chassis Forward Control 140"
 06 = Front Section 158"
 11 = Van 118"

AR = use ase required - = Non illustrated part

**Air Cleaner
Figure 14-810**



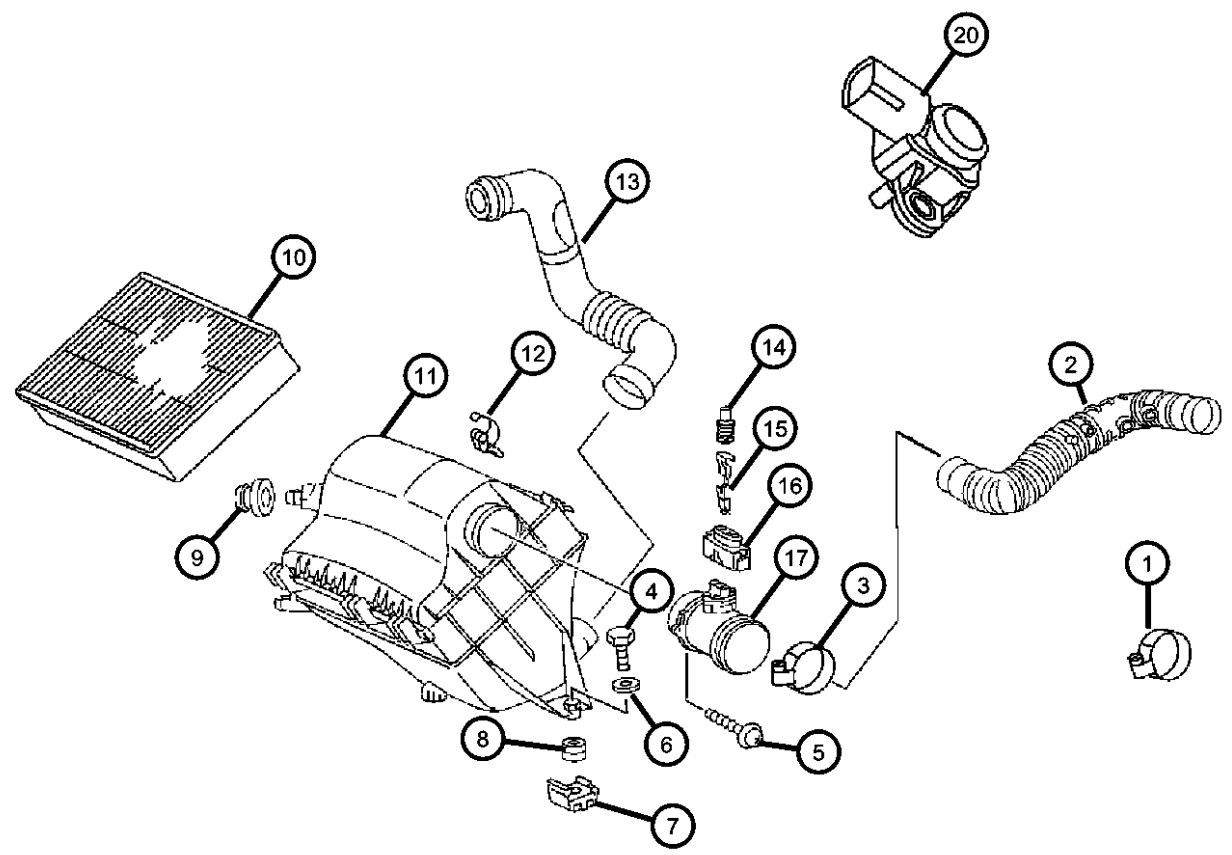
ITEM	PART NUMBER	QTY	LINE	SERIES	BODY	ENGINE	TRANS	TRIM	DESCRIPTION
	05133748AA	2	2, 6	L	01, 02, 06	EX8	DGJ		
		2	2, 6	L	11, 12, 14, 15, 16	EX8	DGJ		
		2	3, 7	L	12, 15, 16	EX8	DGJ		
		2	2, 6	L	51, 52, 54, 55, 56	EX8	DGJ		
6		2	3, 7	L	02, 06	EX8	DGJ		WASHER
	05133908AA	1	2, 6	L	01, 02, 06				
		1	2, 6	L	11, 12, 14, 15, 16				
		1	2, 6	L	51, 52, 54, 55, 56				
7		1	3, 7	L	12, 15, 16				NUT
	05126253AA	1	2, 6	L	01, 02, 06	EX8	DGJ		
		1	2, 6	L	11, 12, 14, 15, 16	EX8	DGJ		
		1	2, 6	L	51, 52, 54, 55, 56	EX8	DGJ		
8		2	3, 7	L	02, 06	EX8	DGJ		BUSHING, Isolator Mounting Leg
	05133742AA	1	2, 6	L	01, 02, 06	EX8	DGJ		
		1	2, 6	L	11, 12, 14, 15, 16	EX8	DGJ		
		1	2, 6	L	51, 52, 54, 55, 56	EX8	DGJ		
		1	3, 7	L	02, 06	EX8	DGJ		
9		1	3, 7	L	12, 15, 16	EX8	DGJ		GROMMET, Air Cleaner
	05120012AA	2	2, 6	L	01, 02, 06	EX8	DGJ		
		2	2, 6	L	11, 12, 14, 15, 16	EX8	DGJ		

SPRINTER (VA)

SERIES	LINE	BODY	ENGINE	TRANSMISSION
L = LOWLINE	3 = HD DODGE 2WD 8 = HD DODGE 4WD 6 = Lt. Duty DODGE 4WD 2 = Med. Duty DODGE 2WD 7 = Med. Duty DODGE 4WD 4 = TRUCK	12 = Van 140" 51 = Wagon 118" 52 = Wagon 140" 14 = Van 118" 15 = Van 140" 16 = Van 158" 54 = Wagon 118" 55 = Wagon 140" 56 = Wagon 158" 01 = Chassis Forward Control 118" 02 = Chassis Forward Control 140" 06 = Front Section 158" 11 = Van 118"	EX8 = Engine - 2.7L I5 Mercedes-Benz TD	DGJ = Transmission - 5-Spd Auto, MB

AR = use ase required - = Non illustrated part

**Air Cleaner
Figure 14-810**

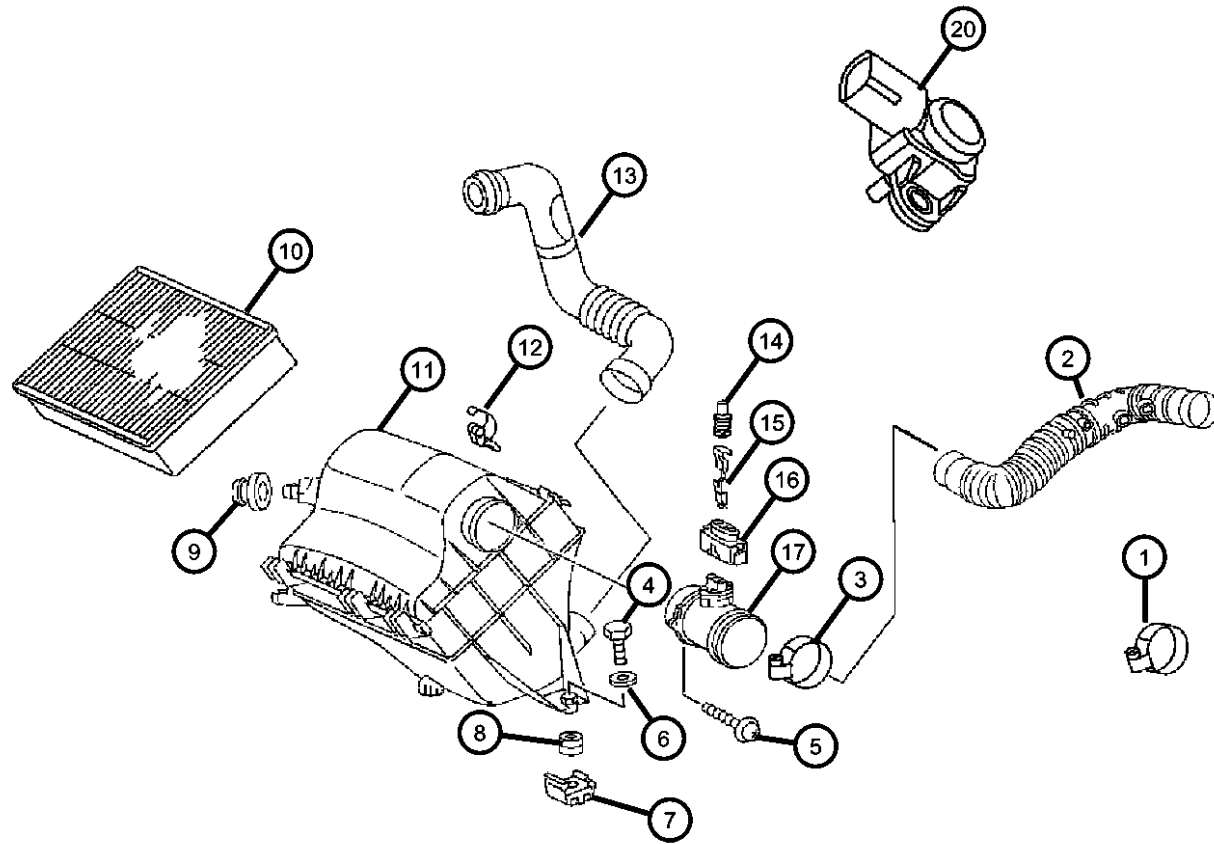


ITEM	PART NUMBER	QTY	LINE	SERIES	BODY	ENGINE	TRANS	TRIM	DESCRIPTION
10	05103554AB	2	2, 6	L	51, 52, 54, 55, 56	EX8	DGJ		FILTER, Air
		2	3, 7	L	02, 06	EX8	DGJ		
		2	3, 7	L	12, 15, 16	EX8	DGJ		
11	05117478AA	1	2, 6	L	11, 12, 14, 15, 16	EX8			AIR CLEANER
		1	2, 6	L	51, 52, 54, 55, 56	EX8			
		1	3, 7	L	12, 15, 16	EX8			
12	05133741AA	1	2, 6	L	01, 02, 06	EX8	DGJ		LATCH, Air Cleaner
		1	2, 6	L	11, 12, 14, 15, 16	EX8	DGJ		
		1	2, 6	L	51, 52, 54, 55, 56	EX8	DGJ		
		1	3, 7	L	02, 06	EX8	DGJ		
		1	3, 7	L	12, 15, 16	EX8	DGJ		
		1	2, 6	L	01, 02, 06	EX8	DGJ		
13	05103616AA	1	2, 6	L	11, 12, 14, 15, 16	EX8	DGJ		HOSE, Air Cleaner
		1	2, 6	L	51, 52, 54, 55, 56	EX8	DGJ		
		1	2, 6	L	01, 02, 06	EX8	DGJ		
		1	2, 6	L	11, 12, 14, 15, 16	EX8	DGJ		
		1	3, 7	L	02, 06	EX8	DGJ		

SPRINTER (VA)
 SERIES LINE BODY ENGINE TRANSMISSION
 L = LOWLINE 3 = HD DODGE 2WD 12 = Van 140" EX8 = Engine - 2.7L I5 Mercedes-Benz TD DGJ = Transmission - 5-Spd Auto, MB
 8 = HD DODGE 4WD 51 = Wagon 118"
 6 = Lt. Duty DODGE 4WD 52 = Wagon 140"
 2 = Med. Duty DODGE 2WD 14 = Van 118"
 7 = Med. Duty DODGE 4WD 15 = Van 140"
 4 = TRUCK 16 = Van 158"
 54 = Wagon 118"
 55 = Wagon 140"
 56 = Wagon 158"
 01 = Chassis Forward Control 118"
 02 = Chassis Forward Control 140"
 06 = Front Section 158"
 11 = Van 118"

AR = use ase required - = Non illustrated part

**Air Cleaner
Figure 14-810**



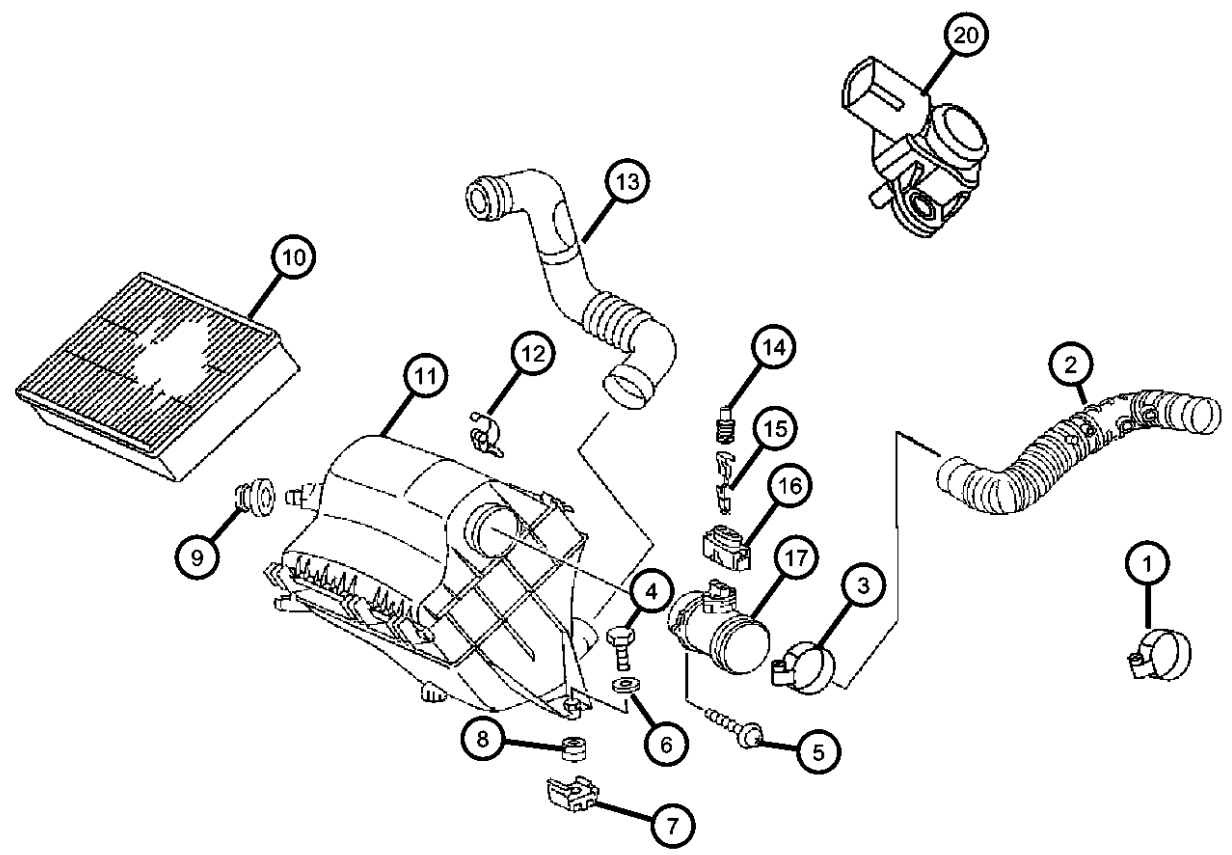
ITEM	PART NUMBER	QTY	LINE	SERIES	BODY	ENGINE	TRANS	TRIM	DESCRIPTION
14		1	3, 7	L	12, 15, 16	EX8	DGJ		GASKET
	05103661AA	1	3, 7	L	02, 06	EX8	DGJ		
		99	3, 7	L	12, 15, 16	EX8	DGJ		
		99	2, 6	L	01, 02, 06	EX8	DGJ		
		99	2, 6	L	11, 12, 14, 15, 16	EX8	DGJ		
		99	2, 6	L	51, 52, 54, 55, 56	EX8	DGJ		
15									TERMINAL
	05102935AA	99	2, 6	L	01, 02, 06	EX8	DGJ		
		99	2, 6	L	11, 12, 14, 15, 16	EX8	DGJ		
		99	2, 6	L	51, 52, 54, 55, 56	EX8	DGJ		
		99	3, 7	L	02, 06	EX8	DGJ		
		99	3, 7	L	12, 15, 16	EX8	DGJ		
16									PLUG
	05120763AA	1	2, 6	L	01, 02, 06	EX8	DGJ		
		1	2, 6	L	11, 12, 14, 15, 16	EX8	DGJ		
		1	2, 6	L	51, 52, 54, 55, 56	EX8	DGJ		
		1	3, 7	L	02, 06	EX8	DGJ		
		1	3, 7	L	12, 15, 16	EX8	DGJ		
17									SENSOR, Mass Airflow
	05117501AA	1	2, 6	L	51, 52, 54, 55, 56	EX8	DGJ		
		1	3, 7	L	02, 06	EX8	DGJ		
		1	3, 7	L	12, 15, 16	EX8	DGJ		
		1	2, 6	L	01, 02, 06	EX8	DGJ		

SPRINTER (VA)

SERIES	LINE	BODY	ENGINE	TRANSMISSION
L = LOWLINE	3 = HD DODGE 2WD 8 = HD DODGE 4WD 6 = Lt. Duty DODGE 4WD 2 = Med. Duty DODGE 2WD 7 = Med. Duty DODGE 4WD 4 = TRUCK	12 = Van 140" 51 = Wagon 118" 52 = Wagon 140" 14 = Van 118" 15 = Van 140" 16 = Van 158" 54 = Wagon 118" 55 = Wagon 140" 56 = Wagon 158" 01 = Chassis Forward Control 118" 02 = Chassis Forward Control 140" 06 = Front Section 158" 11 = Van 118"	EX8 = Engine - 2.7L I5 Mercedes-Benz TD	DGJ = Transmission - 5-Spd Auto, MB

AR = use ase required - = Non illustrated part

**Air Cleaner
Figure 14-810**



ITEM	PART NUMBER	QTY	LINE	SERIES	BODY	ENGINE	TRANS	TRIM	DESCRIPTION
-18		1	2, 6	L	11, 12, 14, 15, 16	EX8	DGJ		SEAL, O-Ring
	05133740AA	1	2, 6	L	01, 02, 06	EX8	DGJ		Air Flow Meter To Air Line Seal
		1	2, 6	L	11, 12, 14, 15, 16	EX8	DGJ		Air Flow Meter To Air Line Seal
		1	2, 6	L	51, 52, 54, 55, 56	EX8	DGJ		Air Flow Meter To Air Line Seal
		1	3, 7	L	02, 06	EX8	DGJ		Air Flow Meter To Air Line Seal
		1	3, 7	L	12, 15, 16	EX8	DGJ		Air Flow Meter To Air Line Seal
-19		1	2, 6	L	01, 02, 06	EX8	DGJ		BRACKET, Air Inlet
	05120059AA	1	2, 6	L	11, 12, 14, 15, 16	EX8	DGJ		
		1	2, 6	L	51, 52, 54, 55, 56	EX8	DGJ		
		1	3, 7	L	02, 06	EX8	DGJ		
		1	3, 7	L	12, 15, 16	EX8	DGJ		
20		1	2, 6	L	01, 02, 06	EX8	DGJ		SENSOR, Air Pressure
	05101120AB	1	2, 6	L	11, 12, 14, 15, 16	EX8	DGJ		
		1	2, 6	L	51, 52, 54, 55, 56	EX8	DGJ		
		1	3, 7	L	02, 06	EX8	DGJ		
		1	3, 7	L	12, 15, 16	EX8	DGJ		

SPRINTER (VA)

SERIES	LINE	BODY	ENGINE	TRANSMISSION
L = LOWLINE	3 = HD DODGE 2WD 8 = HD DODGE 4WD 6 = Lt. Duty DODGE 4WD 2 = Med. Duty DODGE 2WD 7 = Med. Duty DODGE 4WD 4 = TRUCK	12 = Van 140" 51 = Wagon 118" 52 = Wagon 140" 14 = Van 118" 15 = Van 140" 16 = Van 158" 54 = Wagon 118" 55 = Wagon 140" 56 = Wagon 158" 01 = Chassis Forward Control 118" 02 = Chassis Forward Control 140" 06 = Front Section 158" 11 = Van 118"	EX8 = Engine - 2.7L I5 Mercedes-Benz TD	DGJ = Transmission - 5-Spd Auto, MB

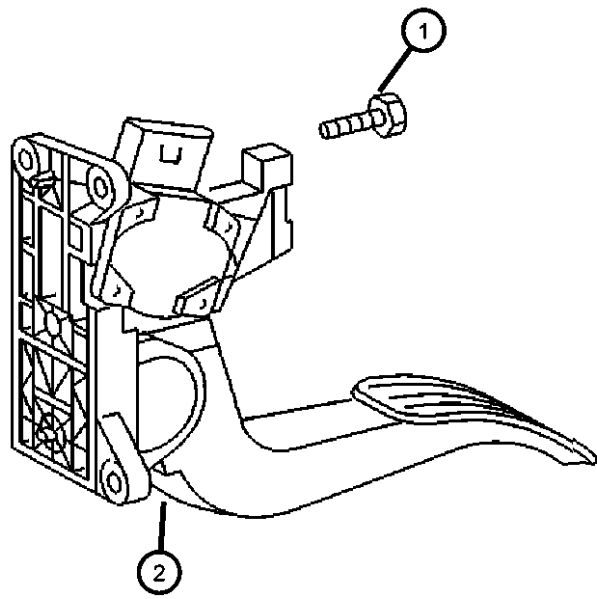
AR = use ase required - = Non illustrated part

**Accelerator Pedal
Figure 14-1110**

ITEM	PART NUMBER	QTY	LINE	SERIES	BODY	ENGINE	TRANS	TRIM	DESCRIPTION
------	-------------	-----	------	--------	------	--------	-------	------	-------------

Sales Codes:[EX8]= 2.7L I5 MERCEDES-BENZ
DGJ=TRANSMISSION - 5-SPD AUTO

1									SCREW
	06104005AA	3	2, 6	L	01, 02, 06	EX8	DGJ		
		2	2, 6	L	11, 12, 14, 15, 16	EX8	DGJ		
		2	2, 6	L	51, 52, 54, 55, 56	EX8	DGJ		
		2	3, 7	L	02, 06	EX8	DGJ		
		2	3, 7	L	12, 15, 16	EX8	DGJ		
2									PEDAL, Accelerator
	05135510AA	1	2, 6	L	01, 02, 06	EX8	DGJ		
		1	2, 6	L	11, 12, 14, 15, 16	EX8	DGJ		
		1	2, 6	L	51, 52, 54, 55, 56	EX8	DGJ		
		1	3, 7	L	02, 06	EX8	DGJ		
		1	3, 7	L	12, 15, 16	EX8	DGJ		



SPRINTER (VA)

SERIES	LINE	BODY	ENGINE	TRANSMISSION
L = LOWLINE	3 = HD DODGE 2WD 8 = HD DODGE 4WD 6 = Lt. Duty DODGE 4WD 2 = Med. Duty DODGE 2WD 7 = Med. Duty DODGE 4WD 4 = TRUCK	12 = Van 140" 51 = Wagon 118" 52 = Wagon 140" 14 = Van 118" 15 = Van 140" 16 = Van 158" 54 = Wagon 118" 55 = Wagon 140" 56 = Wagon 158" 01 = Chassis Forward Control 118" 02 = Chassis Forward Control 140" 06 = Front Section 158" 11 = Van 118"	EX8 = Engine - 2.7L I5 Mercedes-Benz TD	DGJ = Transmission - 5-Spd Auto, MB

AR = use ase required - = Non illustrated part

2005 VA

Group - 16

Propeller Shafts and U-Joints

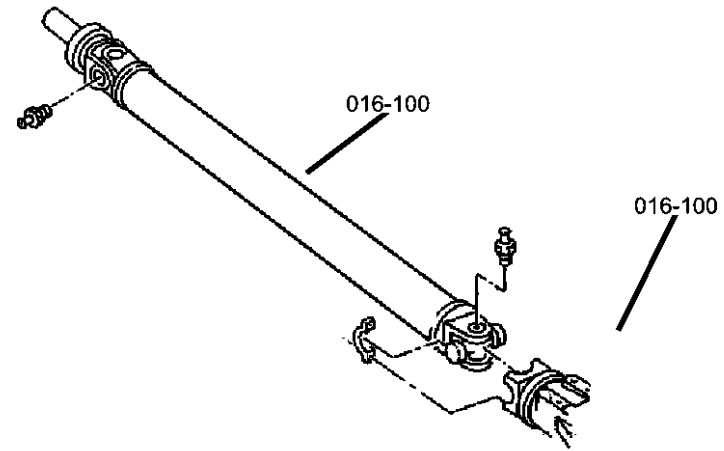
Group - 16 Propeller Shafts and U-Joints

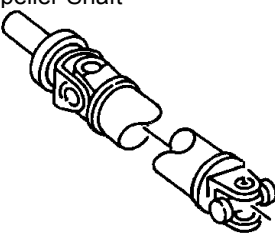
Illustration Title

Group-Fig. No.

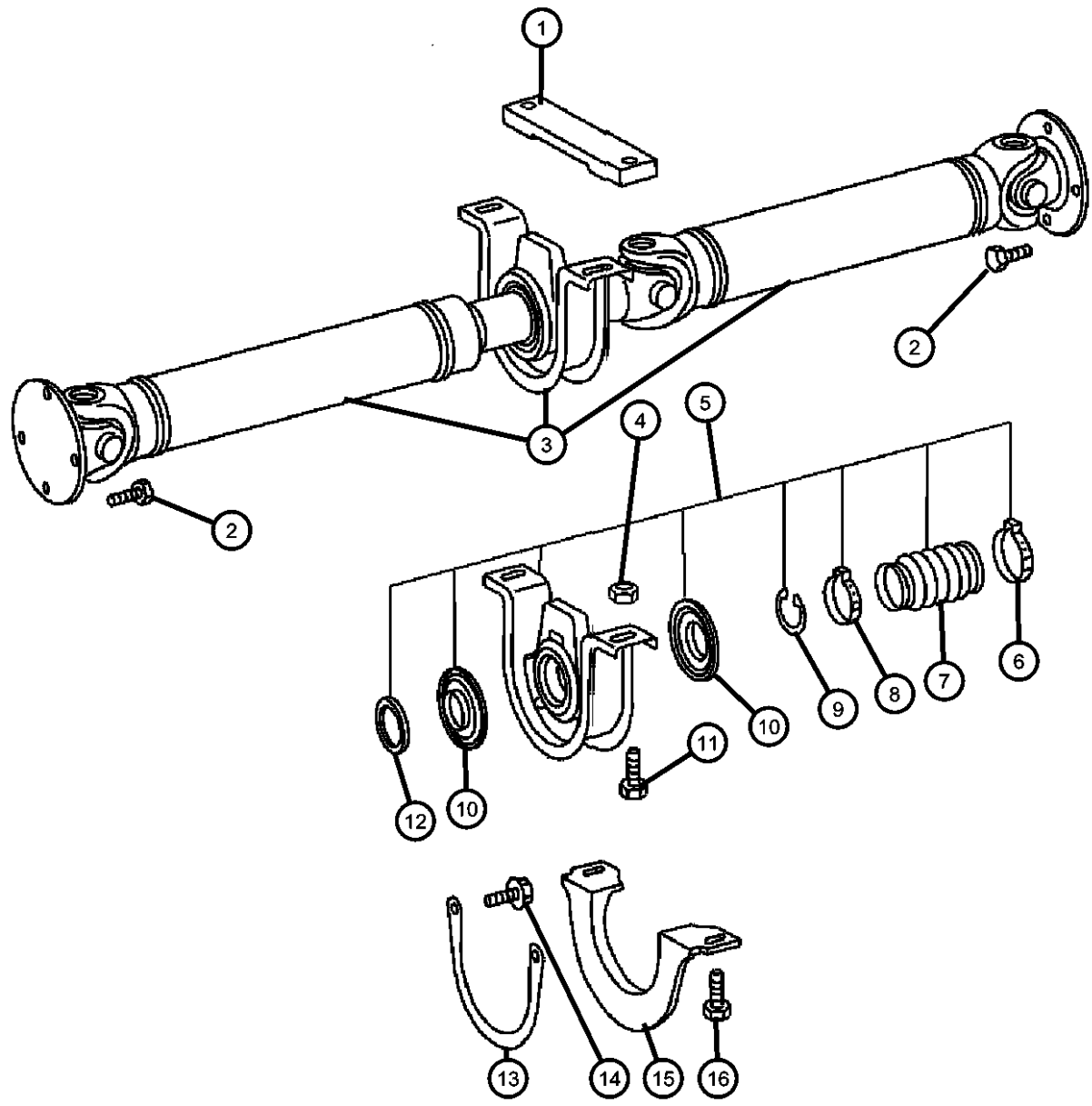
Propeller Shaft

Shaft, Propeller, Rear, 2 Piece	Fig. 16 - 120
Shaft, Propeller, Rear, 3 Piece	Fig. 16 - 130



<p>016-100 Propeller Shaft</p> 			
--	--	--	--

Shaft, Propeller, Rear, 2 Piece
Figure 16-120



ITEM	PART NUMBER	QTY	LINE	SERIES	BODY	ENGINE	TRANS	TRIM	DESCRIPTION
------	-------------	-----	------	--------	------	--------	-------	------	-------------

Note: Sales Codes;
 [5AC]=118 Inch Wheelbase
 [5AE]=140 Inch Wheelbase
 [5AF]=158 Inch Wheelbase

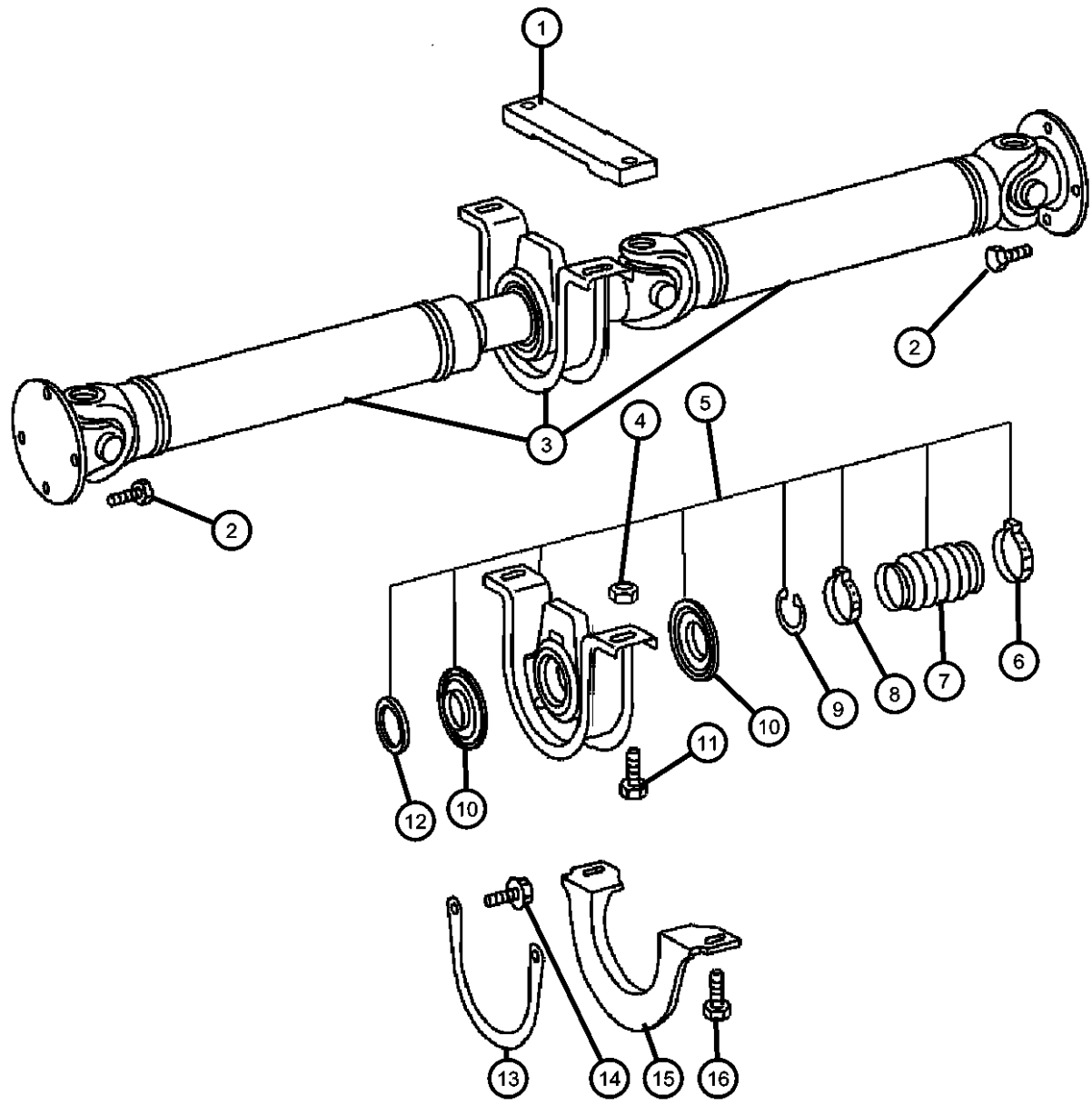
1	05129044AA	2		L			DGJ		SHIM, Drive Shaft Bearing
2	05103939AA	12	2, 6	L	56	EX8	DGJ		BOLT
		8	3, 7	L	02	EX8	DGJ		[5AF]
		12	3, 7	L	06	EX8	DGJ		[5AF]
		8	6, 2	L	01, 02	EX8	DGJ		[5AC,5AE]
		12	2, 6	L	06	EX8	DGJ		[5AF]
		8	2, 6	L	11, 12, 14, 15	EX8	DGJ		[5AC,5AE]
		12	2, 6	L	16	EX8	DGJ		[5AF]
		8	2, 6	L	51, 52, 54, 55	EX8	DGJ		[5AC,5AE]
		8	3, 7	L	12, 15	EX8	DGJ		[5AE]
		12	3, 7	L	16	EX8	DGJ		[5AF]
3	05119086AA	1	2, 6	L	02	EX8	DGJ		SHAFT, Drive, 2 Piece
		1	2, 6	L	12, 15	EX8	DGJ		[5AE]
		1	2, 6	L	52, 55	EX8	DGJ		[5AE]
		1	3, 7	L	02	EX8	DGJ		[5AE]
		1	3, 7	L	12, 15	EX8	DGJ		[5AE]
	05129034AA	1	2, 6	L	01	EX8	DGJ		[5AC]
		1	2, 6	L	11, 14	EX8	DGJ		[5AC]
		1	2, 6	L	51, 54	EX8	DGJ		[5AC]
4	06104718AA	2	2, 6	L	01, 02, 06	EX8	DGJ		NUT
		2	2, 6	L	11, 12, 14, 15, 16	EX8	DGJ		

SPRINTER (VA)

SERIES	LINE	BODY	ENGINE	TRANSMISSION
L = LOWLINE	3 = HD DODGE 2WD 8 = HD DODGE 4WD 6 = Lt. Duty DODGE 4WD 2 = Med. Duty DODGE 2WD 7 = Med. Duty DODGE 4WD 4 = TRUCK	12 = Van 140" 51 = Wagon 118" 52 = Wagon 140" 14 = Van 118" 15 = Van 140" 16 = Van 158" 54 = Wagon 118" 55 = Wagon 140" 56 = Wagon 158" 01 = Chassis Forward Control 118" 02 = Chassis Forward Control 140" 06 = Front Section 158" 11 = Van 118"	EX8 = Engine - 2.7L I5 Mercedes-Benz TD	DGJ = Transmission - 5-Spd Auto, MB

AR = use ase required - = Non illustrated part

**Shaft, Propeller, Rear, 2 Piece
Figure 16-120**

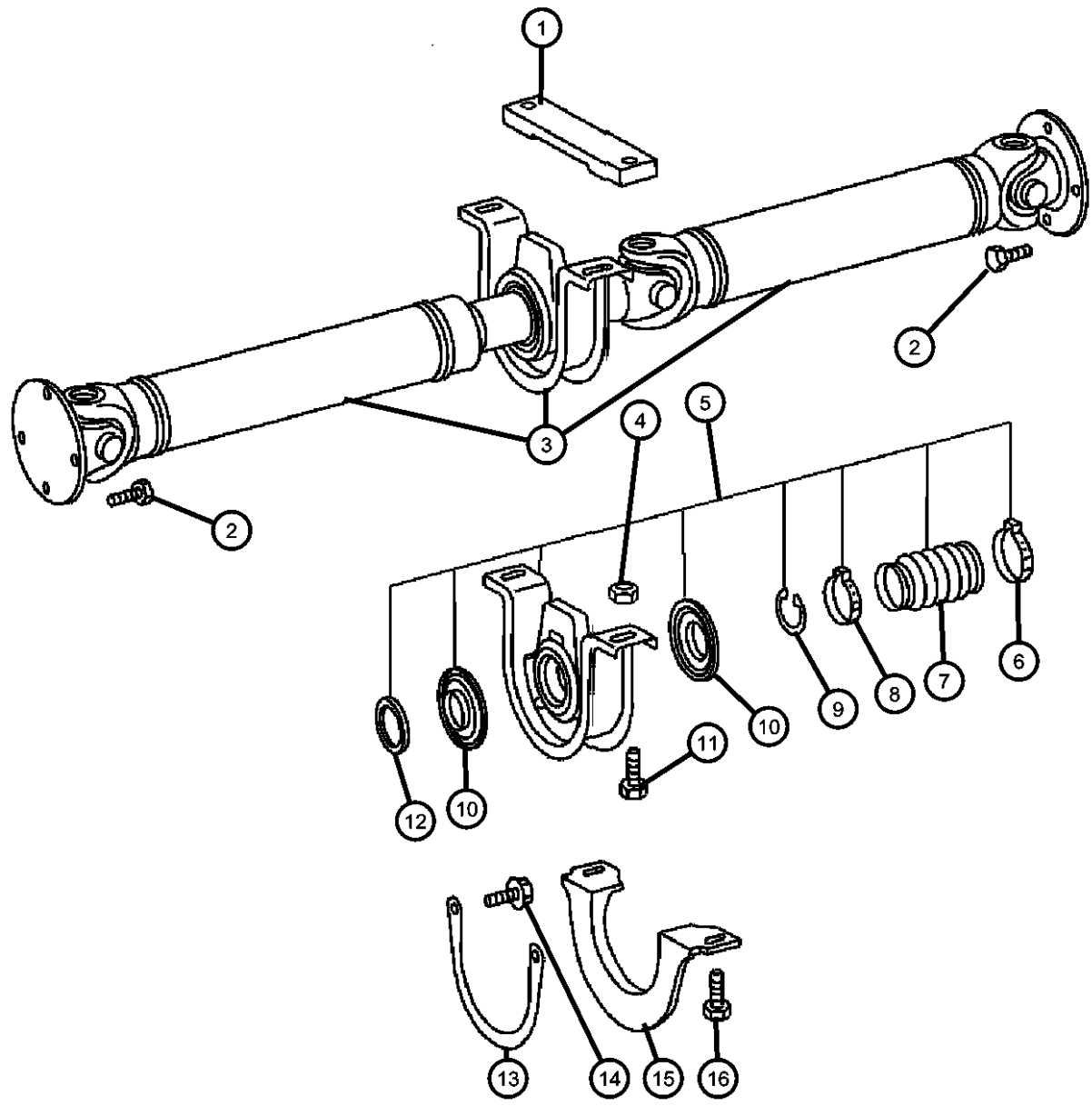


ITEM	PART NUMBER	QTY	LINE	SERIES	BODY	ENGINE	TRANS	TRIM	DESCRIPTION
5		2	2, 6	L	51, 52, 54, 55, 56	EX8	DGJ		CENTER BEARING, Drive Shaft
		2	3, 7	L	02, 06	EX8	DGJ		
		2	7, 3	L	12, 15, 16	EX8	DGJ		
6	05104574AA	1	2, 6	L	01, 02, 06	EX8	DGJ		CLAMP, Boot
		1	2, 6	L	11, 12, 14, 15, 16	EX8	DGJ		
		1	2, 6	L	51, 52, 54, 55, 56	EX8	DGJ		
		1	3, 7	L	02, 06	EX8	DGJ		
		1	3, 7	L	12, 15, 16	EX8	DGJ		
	05133900AA	1	3, 7	L	12, 15, 16	EX8	DGJ		
7		1	2, 6	L	01, 02, 06	EX8	DGJ		BOOT, Driveshaft
		1	2, 6	L	11, 12, 14, 15, 16	EX8	DGJ		
		1	2, 6	L	51, 52, 54, 55, 56	EX8	DGJ		
		1	3, 7	L	02, 06	EX8	DGJ		
	05133897AA	1	2, 6	L	01, 02, 06	EX8	DGJ		
		1	2, 6	L	11, 12, 14, 15, 16	EX8	DGJ		
8		1	2, 6	L	51, 52, 54, 55, 56	EX8	DGJ		CLAMP, Boot
		1	3, 7	L	02, 06	EX8	DGJ		
		1	3, 7	L	12, 15, 16	EX8	DGJ		
	05133899AA	1	2, 6	L	01, 02, 06	EX8	DGJ		
		1	2, 6	L	11, 12, 14, 15, 16	EX8	DGJ		

SPRINTER (VA)
 SERIES LINE BODY ENGINE TRANSMISSION
 L = LOWLINE 3 = HD DODGE 2WD 12 = Van 140" EX8 = Engine - 2.7L I5 Mercedes-Benz TD DGJ = Transmission - 5-Spd Auto, MB
 8 = HD DODGE 4WD 51 = Wagon 118"
 6 = Lt. Duty DODGE 4WD 52 = Wagon 140"
 2 = Med. Duty DODGE 2WD 14 = Van 118"
 7 = Med. Duty DODGE 4WD 15 = Van 140"
 4 = TRUCK 16 = Van 158"
 54 = Wagon 118"
 55 = Wagon 140"
 56 = Wagon 158"
 01 = Chassis Forward Control 118"
 02 = Chassis Forward Control 140"
 06 = Front Section 158"
 11 = Van 118"

AR = use ase required - = Non illustrated part

**Shaft, Propeller, Rear, 2 Piece
Figure 16-120**



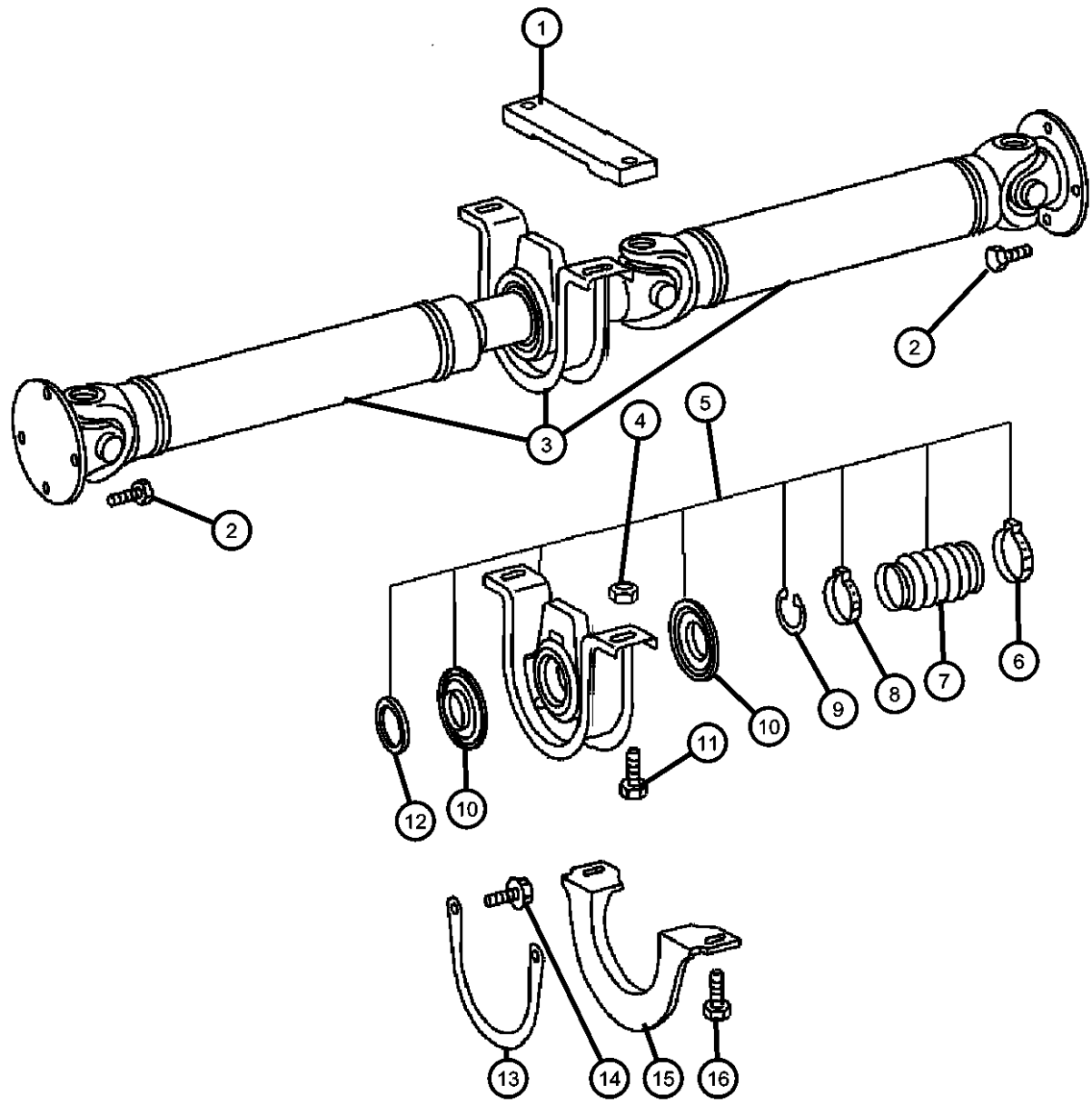
ITEM	PART NUMBER	QTY	LINE	SERIES	BODY	ENGINE	TRANS	TRIM	DESCRIPTION
		1	2, 6	L	51, 52, 54, 55, 56	EX8	DGJ		
		1	3, 7	L	02, 06	EX8	DGJ		
		1	3, 7	L	12, 15, 16	EX8	DGJ		
9		1							SNAP RING, Purchase Item 5, (NOT SERVICED)
10	05133898AA	1	2, 6	L	11, 12, 14, 15, 16	EX8	DGJ		BOOT, Driveshaft
		1	2, 6	L	51, 52, 54, 55, 56	EX8	DGJ		
		1	2, 6	L	01, 02, 06	EX8	DGJ		
		1	3, 7	L	02, 06	EX8	DGJ		
		1	3, 7	L	12, 15, 16	EX8	DGJ		
11	06104238AA	2	2, 6	L	01, 02, 06	EX8	DGJ		BOLT
		2	2, 6	L	11, 12, 14, 15, 16	EX8	DGJ		
		2	2, 6	L	51, 52, 54, 55, 56	EX8	DGJ		
		2	3, 7	L	02, 06	EX8	DGJ		
		2	3, 7	L	12, 15, 16	EX8	DGJ		
12		2							THRUST WASHER, Purchase Item 5, (NOT SERVICED)
13	05119131AA	1	2, 3, 6, 7	L			DGJ		STRAP, Prop Shaft
14	06104234AA	2		L			DGJ		SCREW
15	05119133AA	2	2, 6	L	06	EX8	DGJ		BRACKET, Prop Shaft
		2	2, 6	L	11, 12, 14, 15, 16	EX8	DGJ		[5AF]
		2	2, 6	L	51, 52, 54, 55, 56	EX8	DGJ		[5AF]
		2	3, 7	L	06	EX8	DGJ		[5AF]

SPRINTER (VA)

SERIES	LINE	BODY	ENGINE	TRANSMISSION
L = LOWLINE	3 = HD DODGE 2WD 8 = HD DODGE 4WD 6 = Lt. Duty DODGE 4WD 2 = Med. Duty DODGE 2WD 7 = Med. Duty DODGE 4WD 4 = TRUCK	12 = Van 140" 51 = Wagon 118" 52 = Wagon 140" 14 = Van 118" 15 = Van 140" 16 = Van 158" 54 = Wagon 118" 55 = Wagon 140" 56 = Wagon 158" 01 = Chassis Forward Control 118" 02 = Chassis Forward Control 140" 06 = Front Section 158" 11 = Van 118"	EX8 = Engine - 2.7L I5 Mercedes-Benz TD	DGJ = Transmission - 5-Spd Auto, MB

AR = use ase required - = Non illustrated part

**Shaft, Propeller, Rear, 2 Piece
Figure 16-120**

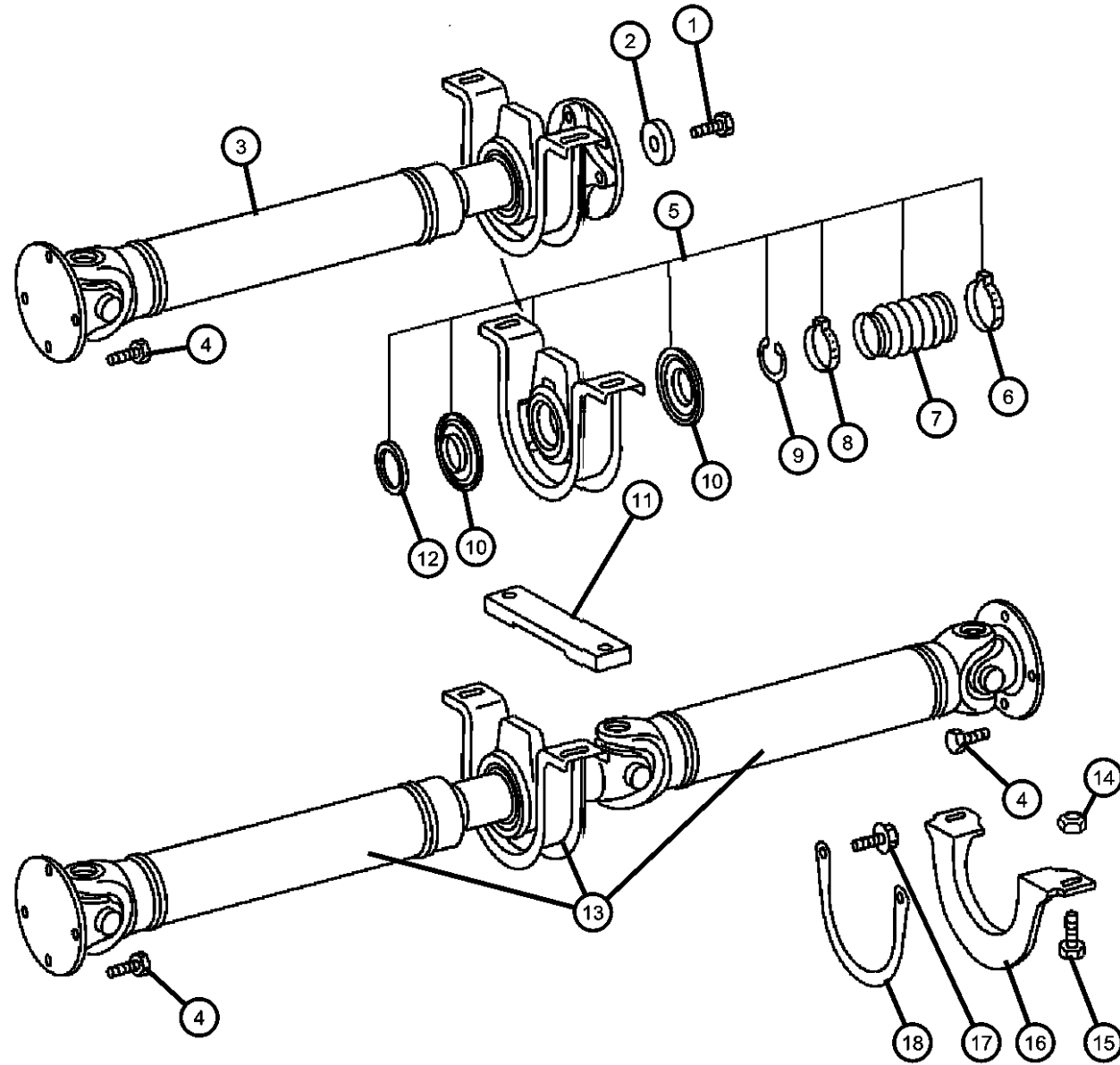


ITEM	PART NUMBER	QTY	LINE	SERIES	BODY	ENGINE	TRANS	TRIM	DESCRIPTION
		2	3, 7	L	12, 15, 16	EX8	DGJ		[5AF]
16	05133896AA	2	2, 6	L	01, 02	EX8	DGJ		BOLT, Hex Without [5AF]
		4	2, 6	L	06	EX8	DGJ		With [5AF]
		2	2, 6	L	11, 12, 14, 15, 16	EX8	DGJ		Without [5AF]
		4	2, 6	L	11, 12, 14, 15, 16	EX8	DGJ		With [5AF]
		2	2, 6	L	51, 52, 54, 55, 56	EX8	DGJ		Without [5AF]
		4	2, 6	L	51, 52, 54, 55, 56	EX8	DGJ		With [5AF]
		2	3, 7	L	02	EX8	DGJ		Without [5AF]
		4	3, 7	L	06	EX8	DGJ		With [5AF]
		2	3, 7	L	12, 15, 16	EX8	DGJ		Without [5AF]
		4	3, 7	L	12, 15, 16	EX8	DGJ		With [5AF]

SPRINTER (VA)				
SERIES	LINE	BODY	ENGINE	TRANSMISSION
L = LOWLINE	3 = HD DODGE 2WD 8 = HD DODGE 4WD 6 = Lt. Duty DODGE 4WD 2 = Med. Duty DODGE 2WD 7 = Med. Duty DODGE 4WD 4 = TRUCK	12 = Van 140" 51 = Wagon 118" 52 = Wagon 140" 14 = Van 118" 15 = Van 140" 16 = Van 158" 54 = Wagon 118" 55 = Wagon 140" 56 = Wagon 158" 01 = Chassis Forward Control 118" 02 = Chassis Forward Control 140" 06 = Front Section 158" 11 = Van 118"	EX8 = Engine - 2.7L I5 Mercedes-Benz TD	DGJ = Transmission - 5-Spd Auto, MB

AR = use ase required - = Non illustrated part

**Shaft, Propeller, Rear, 3 Piece
Figure 16-130**



ITEM	PART NUMBER	QTY	LINE	SERIES	BODY	ENGINE	TRANS	TRIM	DESCRIPTION
1		4							BOLT, Drive Shaft, (NOT SERVICED),
2									WASHER, Thrust
	05133894AA	1	3, 7	L	02, 06	EX8	DGJ		
		1	2, 6	L	01, 02, 06	EX8	DGJ		
		1	2, 6	L	11, 12, 14, 15, 16	EX8	DGJ		
		1	2, 6	L	51, 52, 54, 55, 56	EX8	DGJ		
		1	3, 7	L	12, 15, 16	EX8	DGJ		
3									SHAFT, Drive, Rear, Front section
	05104083AA	1	2, 6	L	06	EX8	DGJ		[5AF]
		1	2, 6	L	11, 12, 14, 15, 16	EX8	DGJ		[5AF]
		1	2, 6	L	51, 52, 54, 55, 56	EX8	DGJ		[5AF]
		1	3, 7	L	06	EX8	DGJ		[5AF]
		1	3, 7	L	02, 06	EX8	DGJ		[5AF]
		1	3, 7	L	12, 15, 16	EX8	DGJ		[5AF]
4									BOLT
	05103939AA	8	2, 6	L	11, 12, 14, 15	EX8	DGJ		[5AC,5AE]
		12	2, 6	L	16	EX8	DGJ		[5AF]
		8	2, 6	L	51, 52, 54, 55	EX8	DGJ		[5AC,5AE]
		8	2, 6	L	01, 02	EX8	DGJ		[5AC,5AE]
		12	2, 6	L	06	EX8	DGJ		[5AF]
		12	2, 6	L	56	EX8	DGJ		[5AF]
		8	3, 7	L	02	EX8	DGJ		[5AE]
		12	3, 7	L	06	EX8	DGJ		[5AF]
		8	3, 7	L	12, 15	EX8	DGJ		[5AE]
		12	3, 7	L	16	EX8	DGJ		[5AF]

SPRINTER (VA)

SERIES

L = LOWLINE
 3 = HD DODGE 2WD
 8 = HD DODGE 4WD
 6 = Lt. Duty DODGE 4WD
 2 = Med. Duty DODGE 2WD
 7 = Med. Duty DODGE 4WD
 4 = TRUCK

LINE

3 = HD DODGE 2WD
 8 = HD DODGE 4WD
 6 = Lt. Duty DODGE 4WD
 2 = Med. Duty DODGE 2WD
 7 = Med. Duty DODGE 4WD
 4 = TRUCK

BODY

12 = Van 140"
 51 = Wagon 118"
 52 = Wagon 140"
 14 = Van 118"
 15 = Van 140"
 16 = Van 158"
 54 = Wagon 118"
 55 = Wagon 140"
 56 = Wagon 158"
 01 = Chassis Forward Control 118"
 02 = Chassis Forward Control 140"
 06 = Front Section 158"
 11 = Van 118"

ENGINE

EX8 = Engine - 2.7L I5 Mercedes-Benz TD

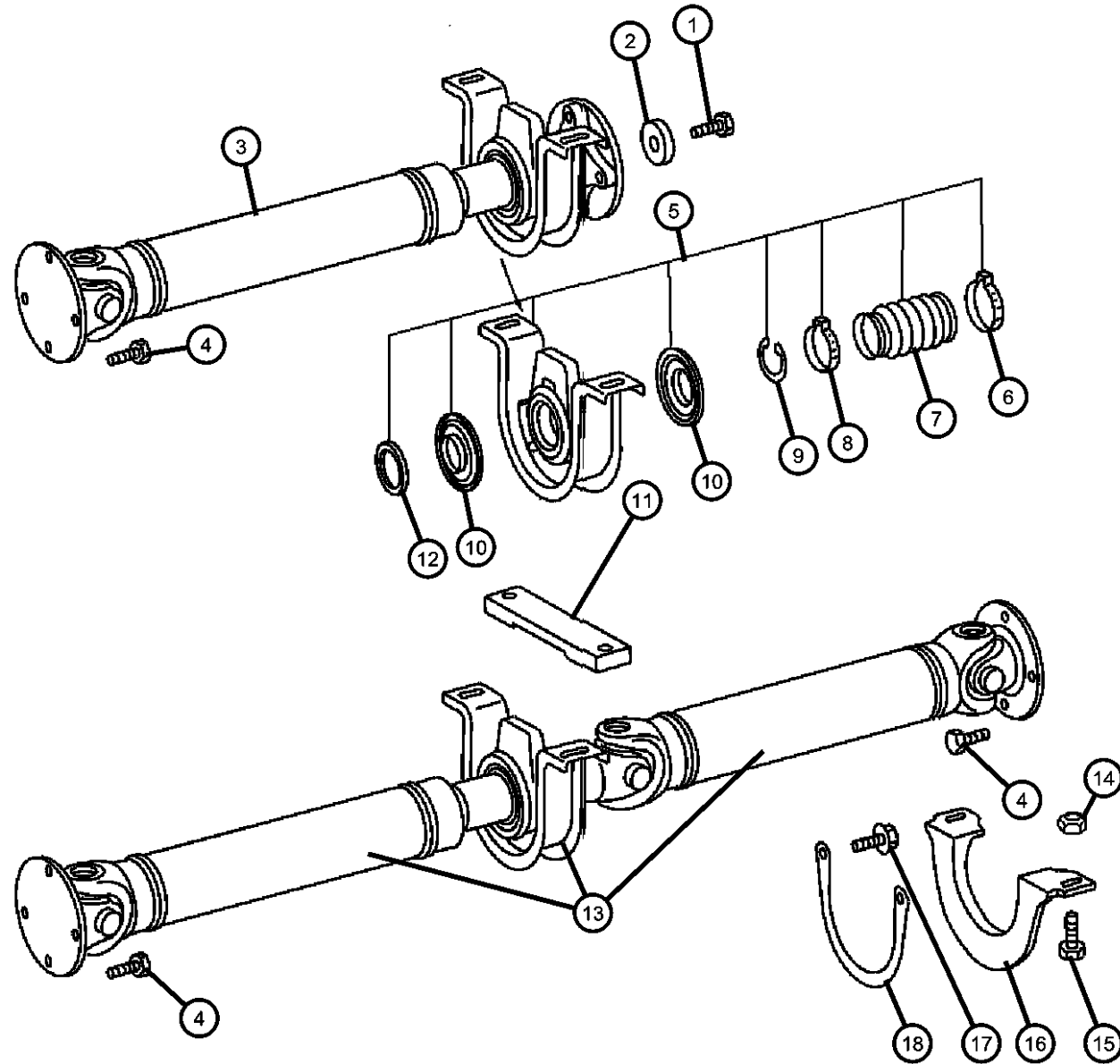
TRANSMISSION

DGJ = Transmission - 5-Spd Auto, MB

AR = use ase required - = Non illustrated part

2005 VA

**Shaft, Propeller, Rear, 3 Piece
Figure 16-130**



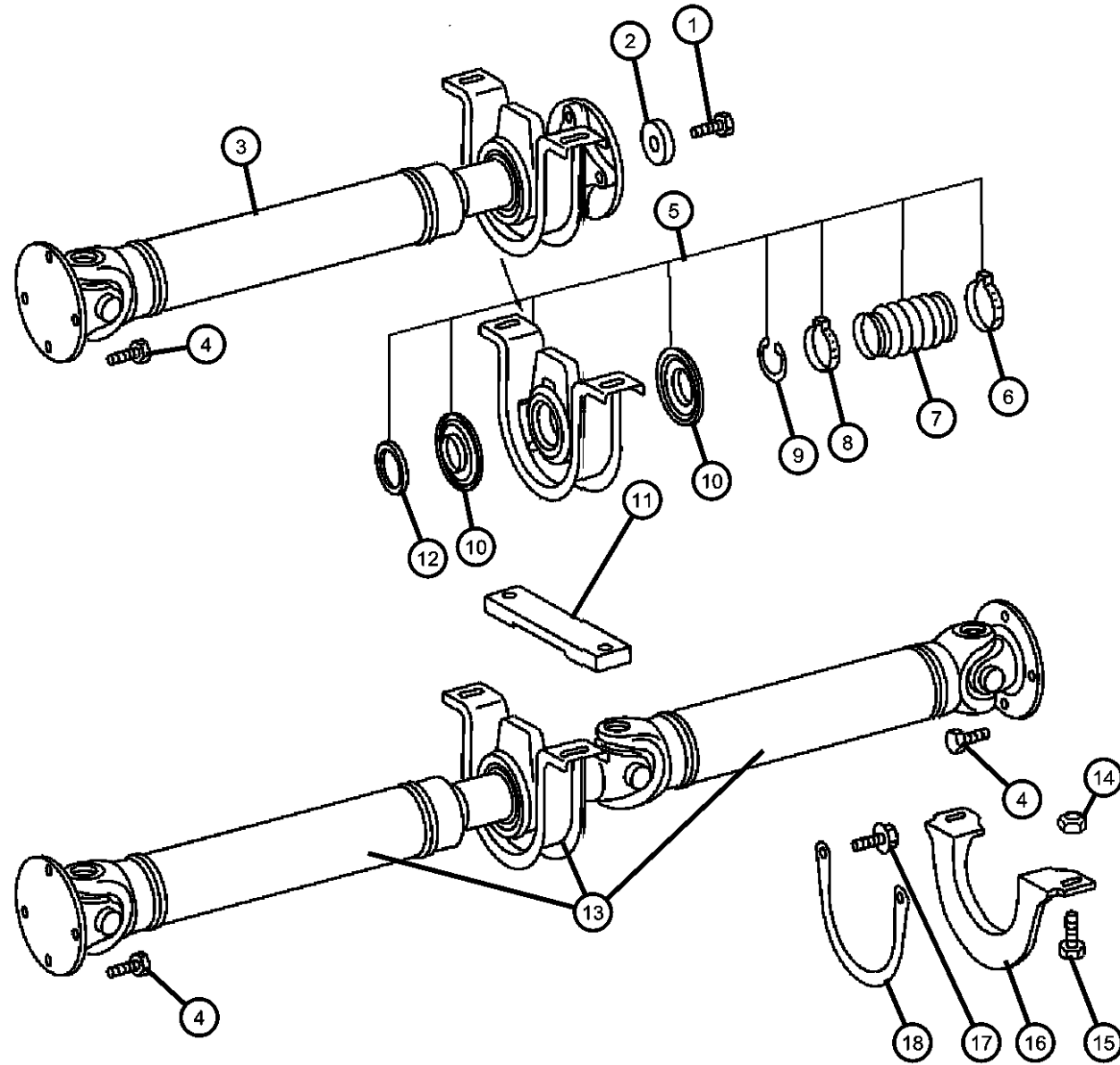
ITEM	PART NUMBER	QTY	LINE	SERIES	BODY	ENGINE	TRANS	TRIM	DESCRIPTION
5	05104574AA	1	2, 6	L	01, 02, 06	EX8	DGJ		CENTER BEARING, Drive Shaft
		1	2, 6	L	11, 12, 14, 15, 16	EX8	DGJ		
		1	2, 6	L	51, 52, 54, 55, 56	EX8	DGJ		
		1	3, 7	L	02, 06	EX8	DGJ		
		1	3, 7	L	12, 15, 16	EX8	DGJ		
6	05133900AA	1	2, 6	L	11, 12, 14, 15, 16	EX8	DGJ		CLAMP, Boot
		1	2, 6	L	51, 52, 54, 55, 56	EX8	DGJ		
		1	3, 7	L	02, 06	EX8	DGJ		
		1	3, 7	L	12, 15, 16	EX8	DGJ		
		1	2, 6	L	01, 02, 06	EX8	DGJ		
7	05133897AA	1	2, 6	L	51, 52, 54, 55, 56	EX8	DGJ		BOOT, Driveshaft
		1	3, 7	L	02, 06	EX8	DGJ		
		1	3, 7	L	12, 15, 16	EX8	DGJ		
		1	2, 6	L	01, 02, 06	EX8	DGJ		
		1	2, 6	L	11, 12, 14, 15, 16	EX8	DGJ		
8	05133899AA	1	2, 6	L	01, 02, 06	EX8	DGJ		CLAMP, Boot
		1	2, 6	L	11, 12, 14, 15, 16	EX8	DGJ		
		1	2, 6	L	51, 52, 54, 55, 56	EX8	DGJ		
		1	3, 7	L	02, 06	EX8	DGJ		
		1	3, 7	L	12, 15, 16	EX8	DGJ		

SPRINTER (VA)

SERIES	LINE	BODY	ENGINE	TRANSMISSION
L = LOWLINE	3 = HD DODGE 2WD 8 = HD DODGE 4WD 6 = Lt. Duty DODGE 4WD 2 = Med. Duty DODGE 2WD 7 = Med. Duty DODGE 4WD 4 = TRUCK	12 = Van 140" 51 = Wagon 118" 52 = Wagon 140" 14 = Van 118" 15 = Van 140" 16 = Van 158" 54 = Wagon 118" 55 = Wagon 140" 56 = Wagon 158" 01 = Chassis Forward Control 118" 02 = Chassis Forward Control 140" 06 = Front Section 158" 11 = Van 118"	EX8 = Engine - 2.7L I5 Mercedes-Benz TD	DGJ = Transmission - 5-Spd Auto, MB

AR = use ase required - = Non illustrated part

**Shaft, Propeller, Rear, 3 Piece
Figure 16-130**



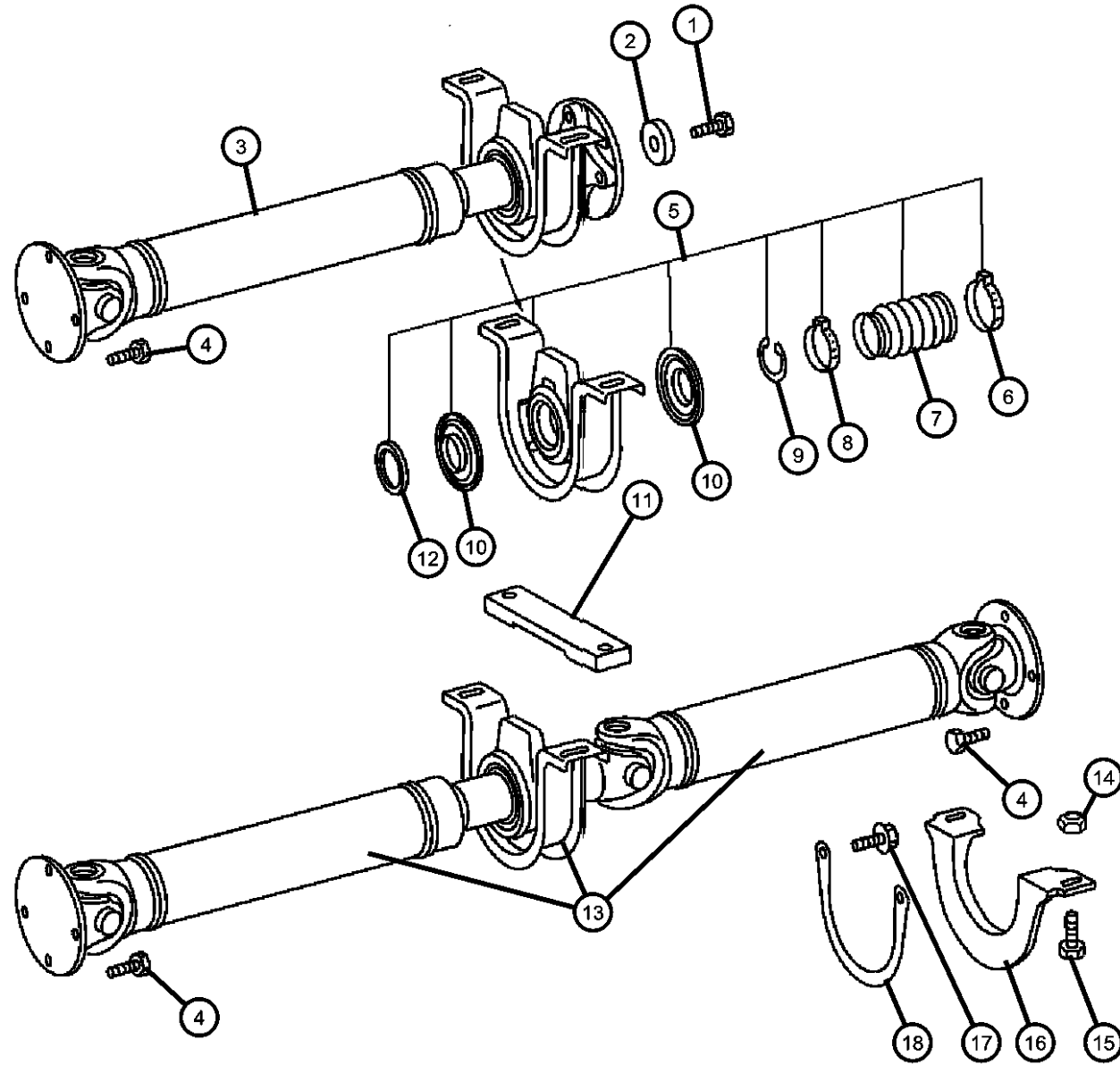
ITEM	PART NUMBER	QTY	LINE	SERIES	BODY	ENGINE	TRANS	TRIM	DESCRIPTION
9		1							SNAP RING, Purchase Item 5, (NOT SERVICED)
10	05133898AA	1	2, 6	L	01, 02, 06	EX8	DGJ		BOOT, Driveshaft
		1	2, 6	L	11, 12, 14, 15, 16	EX8	DGJ		
		1	2, 6	L	51, 52, 54, 55, 56	EX8	DGJ		
		1	3, 7	L	02, 06	EX8	DGJ		
		1	3, 7	L	12, 15, 16	EX8	DGJ		
11	05129044AA	2		L			DGJ		SHIM, Drive Shaft Bearing
12	05129044AA	2							THRUST WASHER, Purchase Item 5, (NOT SERVICED)
13	05104084AA	1	2, 6	L	06	EX8	DGJ		SHAFT, Drive, Rear, Rear section [5AF]
		1	2, 6	L	11, 12, 14, 15, 16	EX8	DGJ		[5AF]
		1	2, 6	L	51, 52, 54, 55, 56	EX8	DGJ		[5AF]
		1	3, 7	L	06	EX8	DGJ		[5AF]
		1	3, 7	L	12, 15, 16	EX8	DGJ		[5AF]
14	06104718AA	2	2, 6	L	01, 02, 06	EX8	DGJ		NUT
		2	2, 6	L	51, 52, 54, 55, 56	EX8	DGJ		
		1	2, 6	L	11, 12, 14, 15, 16	EX8	DGJ		
		2	3, 7	L	02, 06	EX8	DGJ		
		2	3, 7	L	12, 15, 16	EX8	DGJ		
15	05133896AA	2	2, 6	L	01, 02	EX8	DGJ		BOLT, Hex Without [5AF]
		4	2, 6	L	06	EX8	DGJ		With [5AF]

SPRINTER (VA)

SERIES	LINE	BODY	ENGINE	TRANSMISSION
L = LOWLINE	3 = HD DODGE 2WD 8 = HD DODGE 4WD 6 = Lt. Duty DODGE 4WD 2 = Med. Duty DODGE 2WD 7 = Med. Duty DODGE 4WD 4 = TRUCK	12 = Van 140" 51 = Wagon 118" 52 = Wagon 140" 14 = Van 118" 15 = Van 140" 16 = Van 158" 54 = Wagon 118" 55 = Wagon 140" 56 = Wagon 158" 01 = Chassis Forward Control 118" 02 = Chassis Forward Control 140" 06 = Front Section 158" 11 = Van 118"	EX8 = Engine - 2.7L I5 Mercedes-Benz TD	DGJ = Transmission - 5-Spd Auto, MB

AR = use ase required - = Non illustrated part

Shaft, Propeller, Rear, 3 Piece
Figure 16-130



ITEM	PART NUMBER	QTY	LINE	SERIES	BODY	ENGINE	TRANS	TRIM	DESCRIPTION
		2	2, 6	L	11, 12, 14, 15, 16	EX8	DGJ		Without [5AF]
		4	2, 6	L	11, 12, 14, 15, 16	EX8	DGJ		With [5AF]
		2	2, 6	L	51, 52, 54, 55, 56	EX8	DGJ		Without [5AF]
		4	2, 6	L	51, 52, 54, 55, 56	EX8	DGJ		With [5AF]
		2	3, 7	L	02	EX8	DGJ		Without [5AF]
		4	3, 7	L	06	EX8	DGJ		With [5AF]
		2	3, 7	L	12, 15, 16	EX8	DGJ		Without [5AF]
		4	3, 7	L	12, 15, 16	EX8	DGJ		With [5AF]
16									BRACKET, Prop Shaft
	05119133AA	2	2, 6	L	06	EX8	DGJ		With [5AF]
		2	2, 6	L	11, 12, 14, 15, 16	EX8	DGJ		With [5AF]
		2	2, 6	L	51, 52, 54, 55, 56	EX8	DGJ		With [5AF]
		2	3, 7	L	06	EX8	DGJ		With [5AF]
		2	3, 7	L	12, 15, 16	EX8	DGJ		With [5AF]
17	06104234AA	2		L			DGJ		SCREW
18	05119131AA	1	2, 3, 6, 7	L			DGJ		STRAP, Prop Shaft

SPRINTER (VA)

SERIES	LINE	BODY	ENGINE	TRANSMISSION
L = LOWLINE	3 = HD DODGE 2WD 8 = HD DODGE 4WD 6 = Lt. Duty DODGE 4WD 2 = Med. Duty DODGE 2WD 7 = Med. Duty DODGE 4WD 4 = TRUCK	12 = Van 140" 51 = Wagon 118" 52 = Wagon 140" 14 = Van 118" 15 = Van 140" 16 = Van 158" 54 = Wagon 118" 55 = Wagon 140" 56 = Wagon 158" 01 = Chassis Forward Control 118" 02 = Chassis Forward Control 140" 06 = Front Section 158" 11 = Van 118"	EX8 = Engine - 2.7L I5 Mercedes-Benz TD	DGJ = Transmission - 5-Spd Auto, MB

AR = use ase required - = Non illustrated part

Group - 17

Rear Suspension

Group - 17 Rear Suspension

Group-Fig. No.

Illustration Title

Rear Suspension

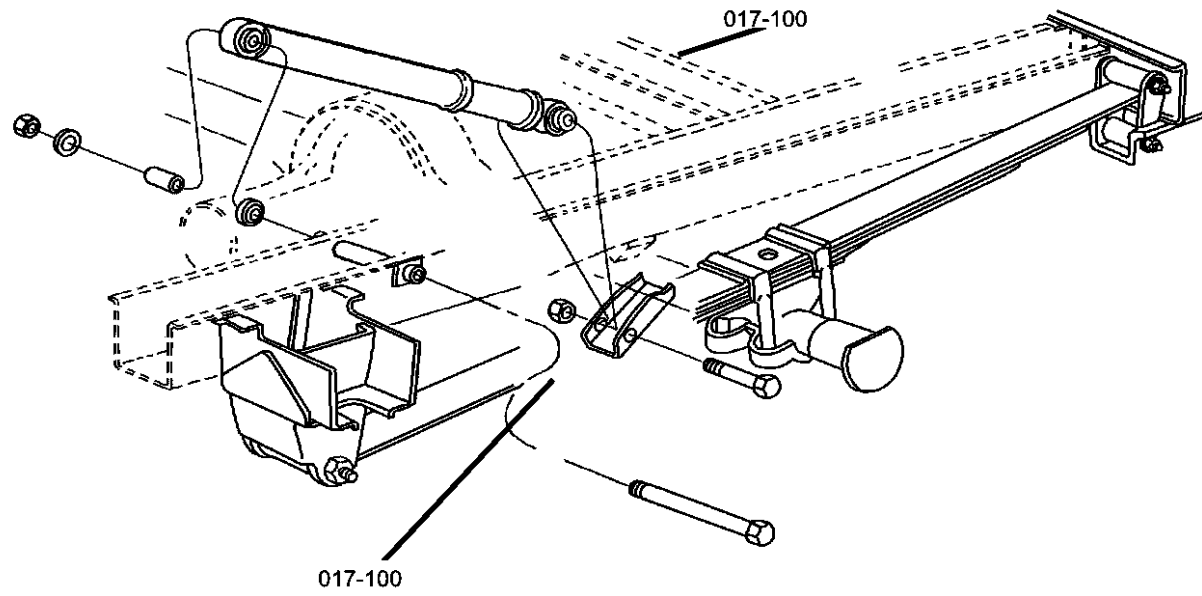
Rear Shocks Fig. 17 - 110

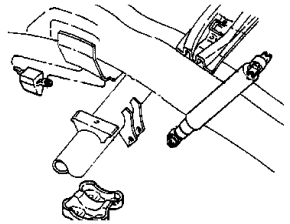
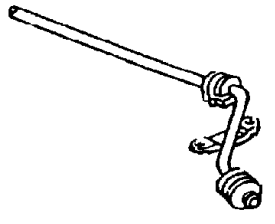
Rear Springs, 2500 Series Fig. 17 - 120

Rear Springs, 3500 Series Fig. 17 - 130

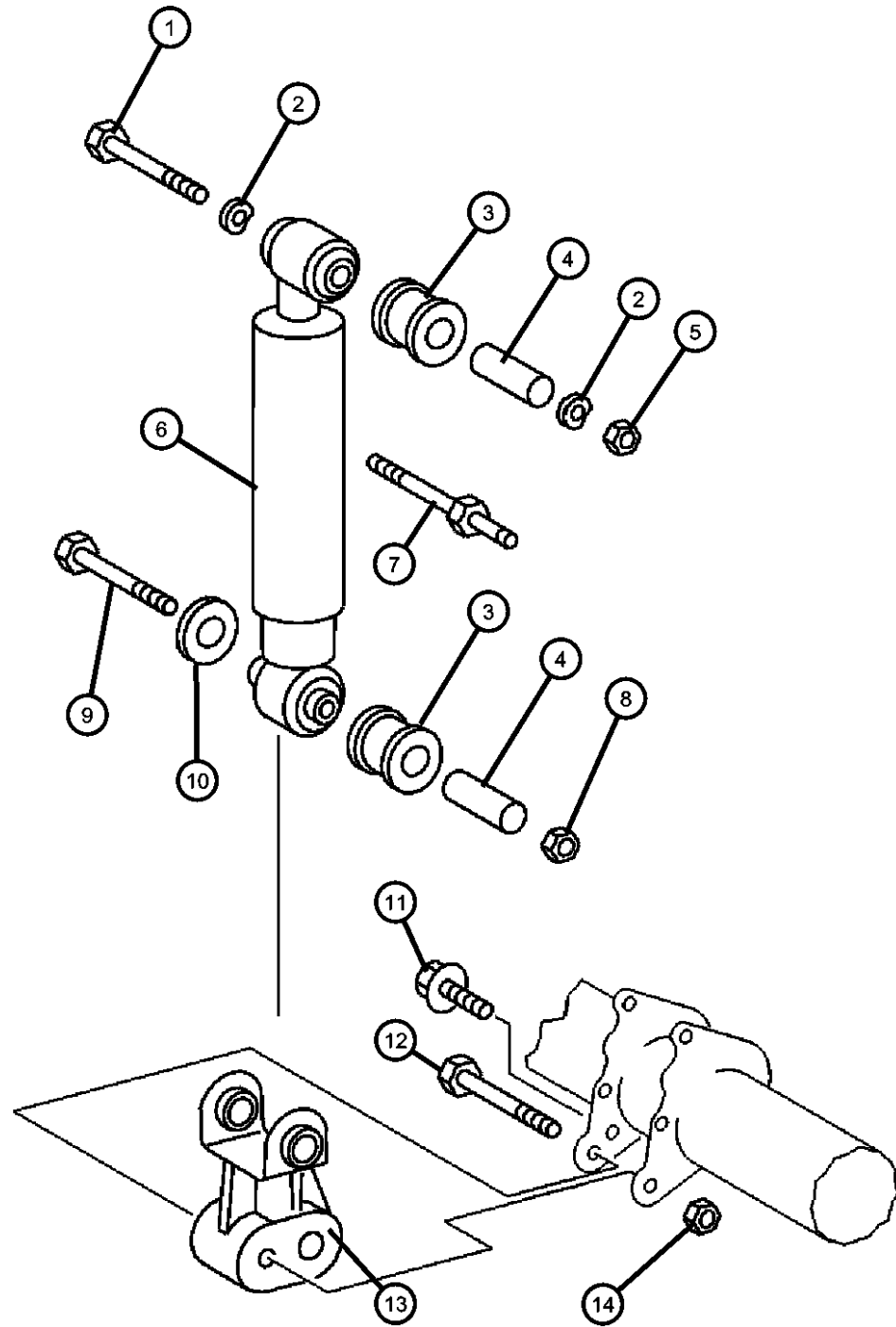
Rear Stabilizer

Stabilizer Bar,Rear Fig. 17 - 210



<p>017-100 Rear Suspension</p> 	<p>017-200 Rear Stabilizer</p> 		
--	---	--	--

**Rear Shocks
Figure 17-110**



ITEM	PART NUMBER	QTY	LINE	SERIES	BODY	ENGINE	TRANS	TRIM	DESCRIPTION
------	-------------	-----	------	--------	------	--------	-------	------	-------------

Note: Sales Codes;
[WDG]=16X6 Steel Wheels
[3B5]=Shock Absorbers Reinforced

1									SCREW
	06104265AA	2	3, 7	L	02, 06	EX8	DGJ		
		2	3, 7	L	12, 15, 16	EX8	DGJ		
	06104271AA	2	2, 6	L	01, 02, 06	EX8	DGJ		
		2	2, 6	L	11, 12, 14, 15, 16	EX8	DGJ		
		2	2, 6	L	51, 52, 54, 55, 56	EX8	DGJ		
2									SPACER, Shock Absorber Bushing
	05133876AA	4	3, 7	L	02, 06	EX8	DGJ		
		4	3, 7	L	12, 15, 16	EX8	DGJ		
	05133883AA	4	2, 6	L	01, 02, 06	EX8	DGJ		
		4	2, 6	L	11, 12, 14, 15, 16	EX8	DGJ		
		4	2, 6	L	51, 52, 54, 55, 56	EX8	DGJ		
3									BUSHING, Shock Absorber
	05133873AA	4	3, 7	L	02, 06	EX8	DGJ		Upper or Lower
		4	3, 7	L	12, 15, 16	EX8	DGJ		Upper or Lower
	05133879AA	2	2, 6	L	01, 02, 06	EX8	DGJ		Upper
		2	2, 6	L	11, 12, 14, 15, 16	EX8	DGJ		Upper
		2	2, 6	L	51, 52, 54, 55, 56	EX8	DGJ		Upper
	05133880AA	2	2, 6	L	01, 02, 06	EX8	DGJ		Lower
		2	2, 6	L	11, 12, 14, 15, 16	EX8	DGJ		Lower
		2	2, 6	L	51, 52, 54, 55, 56	EX8	DGJ		Lower
4									SLEEVE, Shock Absorber
	05133874AA	2	3, 7	L	02, 06	EX8	DGJ		Upper

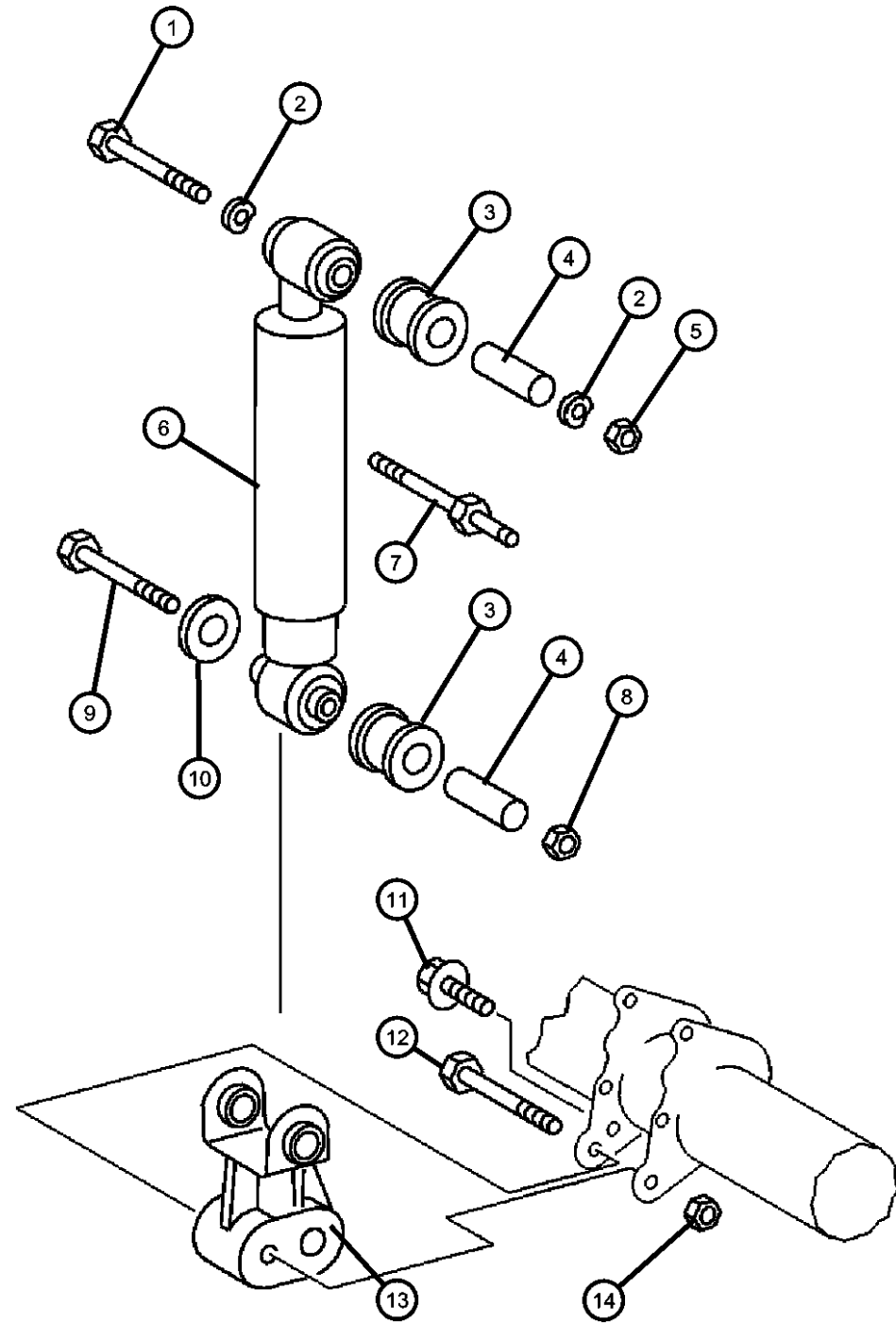
SPRINTER (VA)

SERIES	LINE	BODY	ENGINE	TRANSMISSION
L = LOWLINE	3 = HD DODGE 2WD 8 = HD DODGE 4WD 6 = Lt. Duty DODGE 4WD 2 = Med. Duty DODGE 2WD 7 = Med. Duty DODGE 4WD 4 = TRUCK	12 = Van 140" 51 = Wagon 118" 52 = Wagon 140" 14 = Van 118" 15 = Van 140" 16 = Van 158" 54 = Wagon 118" 55 = Wagon 140" 56 = Wagon 158" 01 = Chassis Forward Control 118" 02 = Chassis Forward Control 140" 06 = Front Section 158" 11 = Van 118"	EX8 = Engine - 2.7L I5 Mercedes-Benz TD	DGJ = Transmission - 5-Spd Auto, MB

AR = use ase required - = Non illustrated part

2005 VA

Rear Shocks
Figure 17-110



ITEM	PART NUMBER	QTY	LINE	SERIES	BODY	ENGINE	TRANS	TRIM	DESCRIPTION
		2	3, 7	L	12, 15, 16	EX8	DGJ		Upper
	05133875AA	2	3, 7	L	02, 06	EX8	DGJ		Lower
		2	3, 7	L	12, 15, 16	EX8	DGJ		Lower
	05133881AA	2	2, 6	L	01, 02, 06	EX8	DGJ		Upper
		2	2, 6	L	11, 12, 14, 15, 16	EX8	DGJ		Upper
		2	2, 6	L	51, 52, 54, 55, 56	EX8	DGJ		Upper
	05133882AA	2	2, 6	L	01, 02, 06	EX8	DGJ		Lower
		2	2, 6	L	11, 12, 14, 15, 16	EX8	DGJ		Lower
		2	2, 6	L	51, 52, 54, 55, 56	EX8	DGJ		Lower
5									NUT
	06104719AA	2	2, 6	L	01, 02, 06	EX8	DGJ		
		2	2, 6	L	11, 12, 14, 15, 16	EX8	DGJ		
		2	2, 6	L	51, 52, 54, 55, 56	EX8	DGJ		
		2	3, 7	L	02, 06	EX8	DGJ		
		2	3, 7	L	12, 15, 16	EX8	DGJ		
6									SHOCK ABSORBER, Suspension, Rear
	05104061AA	2	2, 6	L	01, 02, 06	EX8	DGJ		[3B5]
		2	2, 6	L	11, 12, 14, 15, 16	EX8	DGJ		[3B5]
		2	2, 6	L	51, 52, 54, 55, 56	EX8	DGJ		[3B5]
	05118646AA	2	2, 6	L	01, 02, 06	EX8	DGJ		Without [3B5,WDG]
		2	2, 6	L	11, 12, 14, 15, 16	EX8	DGJ		Without [3B5,WDG]
		2	2, 6	L	51, 52, 54, 55, 56	EX8	DGJ		Without [3B5,WDG]
	05118648AA	2	3, 7	L	02, 06	EX8	DGJ		

SPRINTER (VA)

SERIES

L = LOWLINE

LINE

3 = HD DODGE 2WD
8 = HD DODGE 4WD
6 = Lt. Duty DODGE 4WD
2 = Med. Duty DODGE 2WD
7 = Med. Duty DODGE 4WD
4 = TRUCK

BODY

12 = Van 140"
51 = Wagon 118"
52 = Wagon 140"
14 = Van 118"
15 = Van 140"
16 = Van 158"
54 = Wagon 118"
55 = Wagon 140"
56 = Wagon 158"
01 = Chassis Forward Control 118"
02 = Chassis Forward Control 140"
06 = Front Section 158"
11 = Van 118"

ENGINE

EX8 = Engine - 2.7L I5 Mercedes-Benz TD

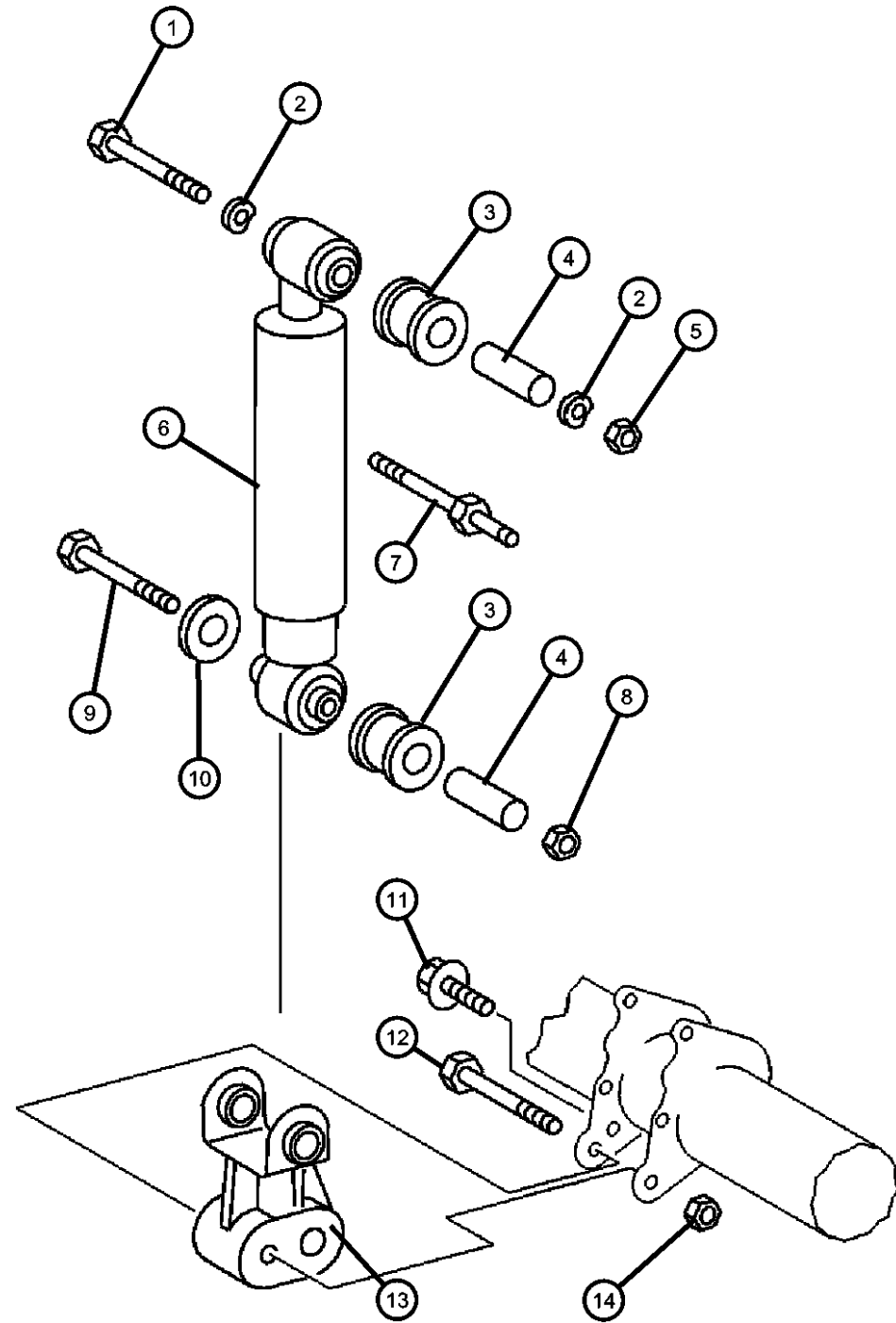
TRANSMISSION

DGJ = Transmission - 5-Spd Auto, MB

AR = use ase required - = Non illustrated part

2005 VA

Rear Shocks
Figure 17-110



ITEM	PART NUMBER	QTY	LINE	SERIES	BODY	ENGINE	TRANS	TRIM	DESCRIPTION
		2	3, 7	L	12, 15, 16	EX8	DGJ		
	05127644AA	2	2, 6	L	01, 02, 06	EX8	DGJ		[3B5,WDG]
		2	2, 6	L	11, 12, 14, 15, 16	EX8	DGJ		[3B5,WDG]
		2	2, 6	L	51, 52, 54, 55, 56	EX8	DGJ		[3B5,WDG]
7									BOLT
	05118796AA	1	2, 6	L	01, 02, 06	EX8	DGJ		
		1	2, 6	L	11, 12, 14, 15, 16	EX8	DGJ		
		1	2, 6	L	51, 52, 54, 55, 56	EX8	DGJ		
8									NUT
	06104718AA	2	2, 6	L	01, 02, 06	EX8	DGJ		
		2	2, 6	L	11, 12, 14, 15, 16	EX8	DGJ		
		2	2, 6	L	51, 52, 54, 55, 56	EX8	DGJ		
		2	3, 7	L	02, 06	EX8	DGJ		
		2	3, 7	L	12, 15, 16	EX8	DGJ		
9									SCREW
	06104241AA	2	2, 6	L	01, 02, 06	EX8	DGJ		
		2	2, 6	L	11, 12, 14, 15, 16	EX8	DGJ		
		2	2, 6	L	51, 52, 54, 55, 56	EX8	DGJ		
	06104270AA	2	3, 7	L	02, 06	EX8	DGJ		
		2	3, 7	L	12, 15, 16	EX8	DGJ		
10									WASHER, Shock Absorber
	05133877AA	4	3, 7	L	02, 06	EX8	DGJ		
		4	3, 7	L	12, 15, 16	EX8	DGJ		
11									BOLT
	06104223AA	1	2, 3, 6, 7				DGJ		

SPRINTER (VA)

SERIES

L = LOWLINE

LINE

3 = HD DODGE 2WD
8 = HD DODGE 4WD
6 = Lt. Duty DODGE 4WD
2 = Med. Duty DODGE 2WD
7 = Med. Duty DODGE 4WD
4 = TRUCK

BODY

12 = Van 140"
51 = Wagon 118"
52 = Wagon 140"
14 = Van 118"
15 = Van 140"
16 = Van 158"
54 = Wagon 118"
55 = Wagon 140"
56 = Wagon 158"
01 = Chassis Forward Control 118"
02 = Chassis Forward Control 140"
06 = Front Section 158"
11 = Van 118"

ENGINE

EX8 = Engine - 2.7L I5 Mercedes-Benz TD

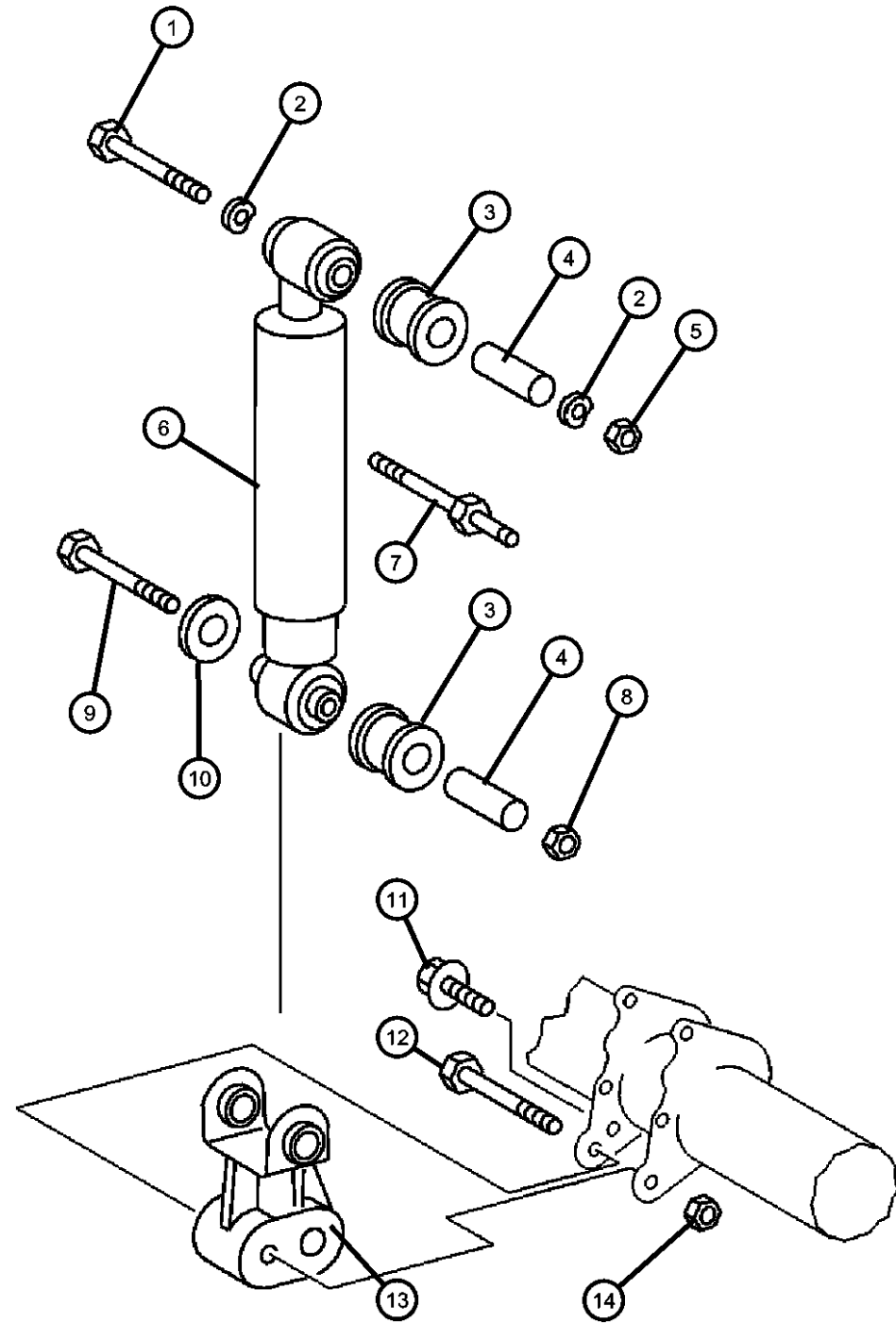
TRANSMISSION

DGJ = Transmission - 5-Spd Auto, MB

AR = use ase required - = Non illustrated part

2005 VA

Rear Shocks
Figure 17-110



ITEM	PART NUMBER	QTY	LINE	SERIES	BODY	ENGINE	TRANS	TRIM	DESCRIPTION
12	06104243AA	2	2, 6	L	11, 12, 14, 15, 16	EX8	DGJ		SCREW
		2	2, 6	L	51, 52, 54, 55, 56	EX8	DGJ		
13		2							BRACKET, (NOT SERVICED)
14	06104717AA	2	2, 6	L	01, 02, 06	EX8	DGJ		NUT
		2	2, 6	L	11, 12, 14, 15, 16	EX8	DGJ		
		2	2, 6	L	51, 52, 54, 55, 56	EX8	DGJ		
		2	3, 7	L	02, 06	EX8	DGJ		
		2	3, 7	L	12, 15, 16	EX8	DGJ		

SPRINTER (VA)

SERIES

L = LOWLINE

LINE

- 3 = HD DODGE 2WD
- 8 = HD DODGE 4WD
- 6 = Lt. Duty DODGE 4WD
- 2 = Med. Duty DODGE 2WD
- 7 = Med. Duty DODGE 4WD
- 4 = TRUCK

BODY

- 12 = Van 140"
- 51 = Wagon 118"
- 52 = Wagon 140"
- 14 = Van 118"
- 15 = Van 140"
- 16 = Van 158"
- 54 = Wagon 118"
- 55 = Wagon 140"
- 56 = Wagon 158"
- 01 = Chassis Forward Control 118"
- 02 = Chassis Forward Control 140"
- 06 = Front Section 158"
- 11 = Van 118"

ENGINE

- EX8 = Engine - 2.7L I5 Mercedes-Benz TD

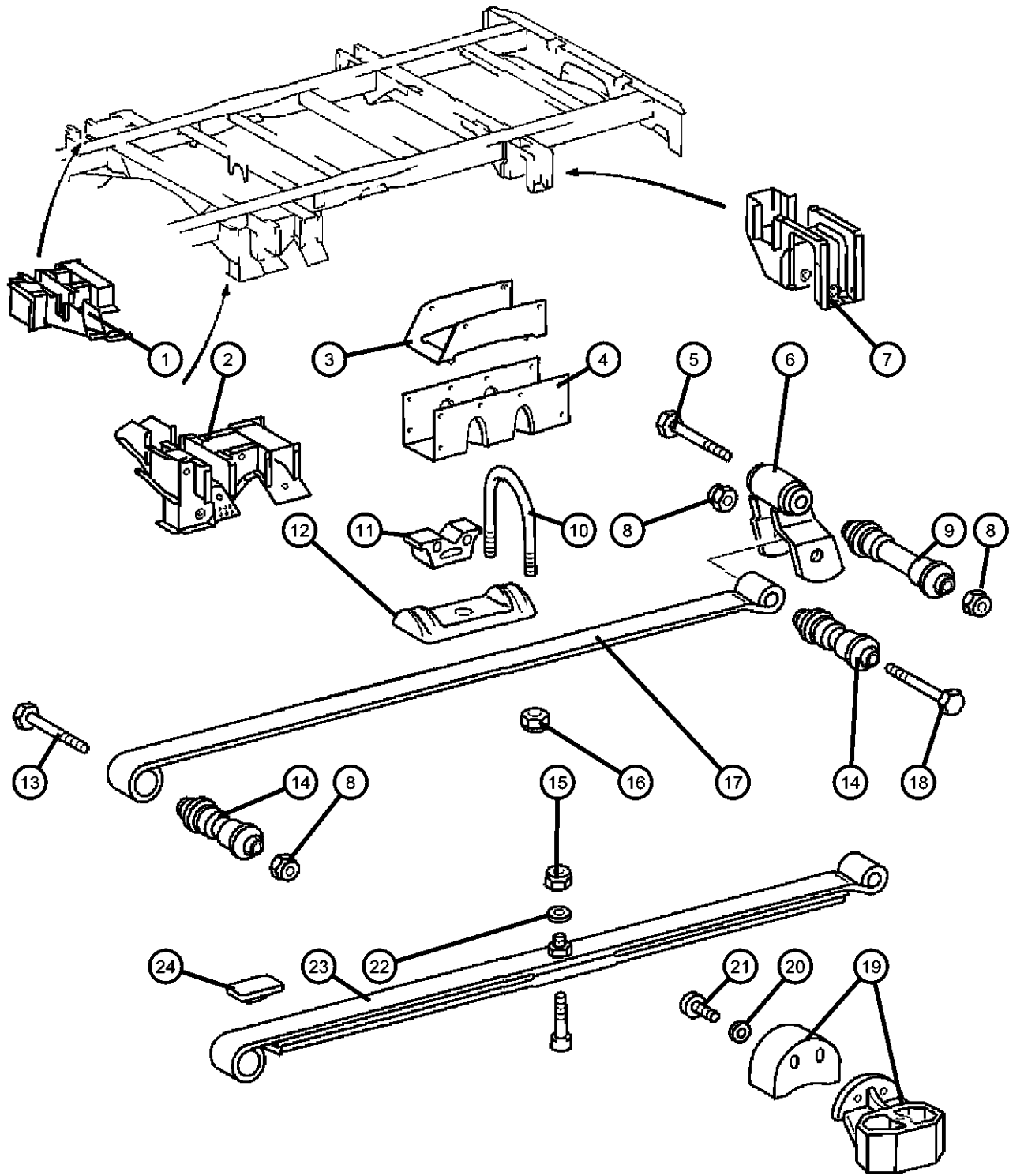
TRANSMISSION

- DGJ = Transmission - 5-Spd Auto, MB

AR = use ase required - = Non illustrated part

2005 VA

Rear Springs, 2500 Series
Figure 17-120



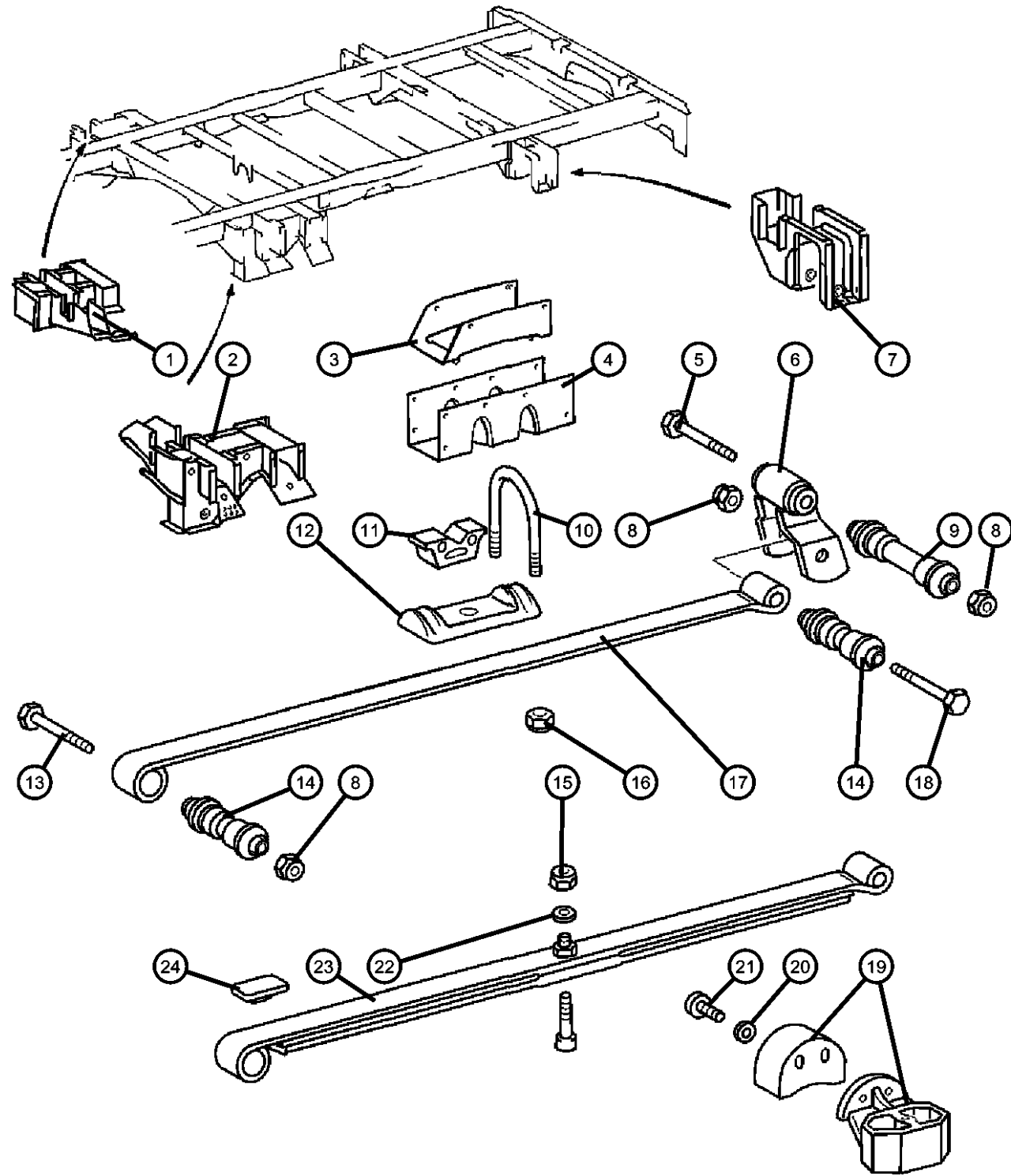
ITEM	PART NUMBER	QTY	LINE	SERIES	BODY	ENGINE	TRANS	TRIM	DESCRIPTION
1	05118670AA	1	2, 6	L	12, 15, 16	EX8	DGJ		BRACKET, Spring Shackle Without [5AC,GKA], Right Front
		1	2, 6	L	52, 55, 56	EX8	DGJ		Without [5AC,GKA], Right Front
	05118672AA	1	2, 6	L	11, 14	EX8	DGJ		[5AC,GKA], Right Front
		1	2, 6	L	51, 54	EX8	DGJ		[5AC,GKA], Right Front
2	05118676AA	2	2, 6	L	01, 02, 06	EX8	DGJ		Right Front
		1	2, 6	L	12, 15, 16	EX8	DGJ		BRACKET, Spring Shackle Without [5AC,GKE,5NZ], Left Front
		1	2, 6	L	52, 55, 56	EX8	DGJ		Without [5AC,GKE,5NZ], Left Front
	05128553AA	1	2, 6	L	11, 14	EX8	DGJ		[5AC,GKE], Left Front
3		1	2, 6	L	51, 54	EX8	DGJ		[5AC,GKE], Left Front
		2	2, 6	L	01, 02, 06	EX8	DGJ		BRACKET
	05118337AA	2	2, 6	L	11, 12, 14, 15, 16	EX8	DGJ		
		2	2, 6	L	51, 52, 54, 55, 56	EX8	DGJ		
4		2	2, 6	L	51, 54	EX8	DGJ		TRUSS, Leaf spring [5AC]
	05118347AA	2	2, 6	L	12, 15, 16	EX8	DGJ		[5AE,5AF,4XZ]
	05128390AA	2	2, 6	L	52, 55, 56	EX8	DGJ		[5AE,5AF,4XZ]
		2	2, 6	L	01, 02, 06	EX8	DGJ		[5AC,5AE,5AF]
		2	2, 6	L	12, 15, 16	EX8	DGJ		[5AE,5AF]
		2	2, 6	L	11, 14	EX8	DGJ		[5AC]
		2	2, 6	L	52, 55, 56	EX8	DGJ		[5AE,5AF]
		2	2, 6	L	01, 02, 06	EX8	DGJ		BRACKET
5	05118734AA	2	2, 6	L	11, 12, 14, 15, 16	EX8	DGJ		BOLT Shackle to Frame, Mounting
		2	2, 6	L	11, 12, 14, 15, 16	EX8	DGJ		Shackle to Frame, Mounting

SPRINTER (VA)

SERIES	LINE	BODY	ENGINE	TRANSMISSION
L = LOWLINE	3 = HD DODGE 2WD 8 = HD DODGE 4WD 6 = Lt. Duty DODGE 4WD 2 = Med. Duty DODGE 2WD 7 = Med. Duty DODGE 4WD 4 = TRUCK	12 = Van 140" 51 = Wagon 118" 52 = Wagon 140" 14 = Van 118" 15 = Van 140" 16 = Van 158" 54 = Wagon 118" 55 = Wagon 140" 56 = Wagon 158" 01 = Chassis Forward Control 118" 02 = Chassis Forward Control 140" 06 = Front Section 158" 11 = Van 118"	EX8 = Engine - 2.7L I5 Mercedes-Benz TD	DGJ = Transmission - 5-Spd Auto, MB

AR = use ase required - = Non illustrated part

Rear Springs, 2500 Series
Figure 17-120



ITEM	PART NUMBER	QTY	LINE	SERIES	BODY	ENGINE	TRANS	TRIM	DESCRIPTION
		2	2, 6	L	51, 52, 54, 55, 56	EX8	DGJ		SHACKLE to Frame, Mounting
6	05118653AA	2	2, 6	L	01, 02, 06	EX8	DGJ		SHACKLE, Spring
		2	2, 6	L	11, 12, 14, 15, 16	EX8	DGJ		
		2	2, 6	L	51, 52, 54, 55, 56	EX8	DGJ		
7	05118663AA	2	2, 6	L	01, 02, 06	EX8	DGJ		BRACKET, Spring Shackle
		2	2, 6	L	12, 15	EX8	DGJ		[5AE], Right or Left, Rear
		2	2, 6	L	52, 55	EX8	DGJ		[5AE], Right or Left, Rear
	05118665AA	2	2, 6	L	11, 14	EX8	DGJ		[5AC], Right or Left, Rear
		2	2, 6	L	51, 54	EX8	DGJ		[5AC], Right or Left, Rear
		2	2, 6	L	56	EX8	DGJ		[5AF], Right or Left, Rear
	05128557AA	2	2, 6	L	11, 14	EX8	DGJ		[5AC,4XZ], Right or Left, Rear
		2	2, 6	L	51, 54	EX8	DGJ		[5AC,4XZ], Right or Left, Rear
	05128559AA	2	2, 6	L	12, 15	EX8	DGJ		[5AE,4XZ], Right or Left, Rear
		2	2, 6	L	52, 55	EX8	DGJ		[5AE,4XZ], Right or Left, Rear
	05128561AA	2	2, 6	L	16	EX8	DGJ		[5AF,4XZ], Right or Left, Rear
		2	2, 6	L	56	EX8	DGJ		[5AF,4XZ], Right or Left, Rear
		2	2, 6	L	16	EX8	DGJ		[5AF], Right or Left, Rear
8	06104718AA	2	2, 6	L	01, 02, 06	EX8	DGJ		NUT Shackle to Frame and Spring, Mounting
		2	2, 6	L	51, 52, 54, 55, 56	EX8	DGJ		Shackle to Frame and Spring, Mounting
		2	2, 6	L	11, 12, 14, 15, 16	EX8	DGJ		Shackle to Frame and Spring, Mounting
9	05118731AA	2	2, 6	L	01, 02, 06	EX8	DGJ		BUSHING, Shackle Right or Left

SPRINTER (VA)

SERIES

L = LOWLINE

LINE

3 = HD DODGE 2WD
8 = HD DODGE 4WD
6 = Lt. Duty DODGE 4WD
2 = Med. Duty DODGE 2WD
7 = Med. Duty DODGE 4WD
4 = TRUCK

BODY

12 = Van 140"
51 = Wagon 118"
52 = Wagon 140"
14 = Van 118"
15 = Van 140"
16 = Van 158"
54 = Wagon 118"
55 = Wagon 140"
56 = Wagon 158"
01 = Chassis Forward Control
118"
02 = Chassis Forward Control
140"
06 = Front Section 158"
11 = Van 118"

ENGINE

EX8 = Engine - 2.7L I5
Mercedes-Benz TD

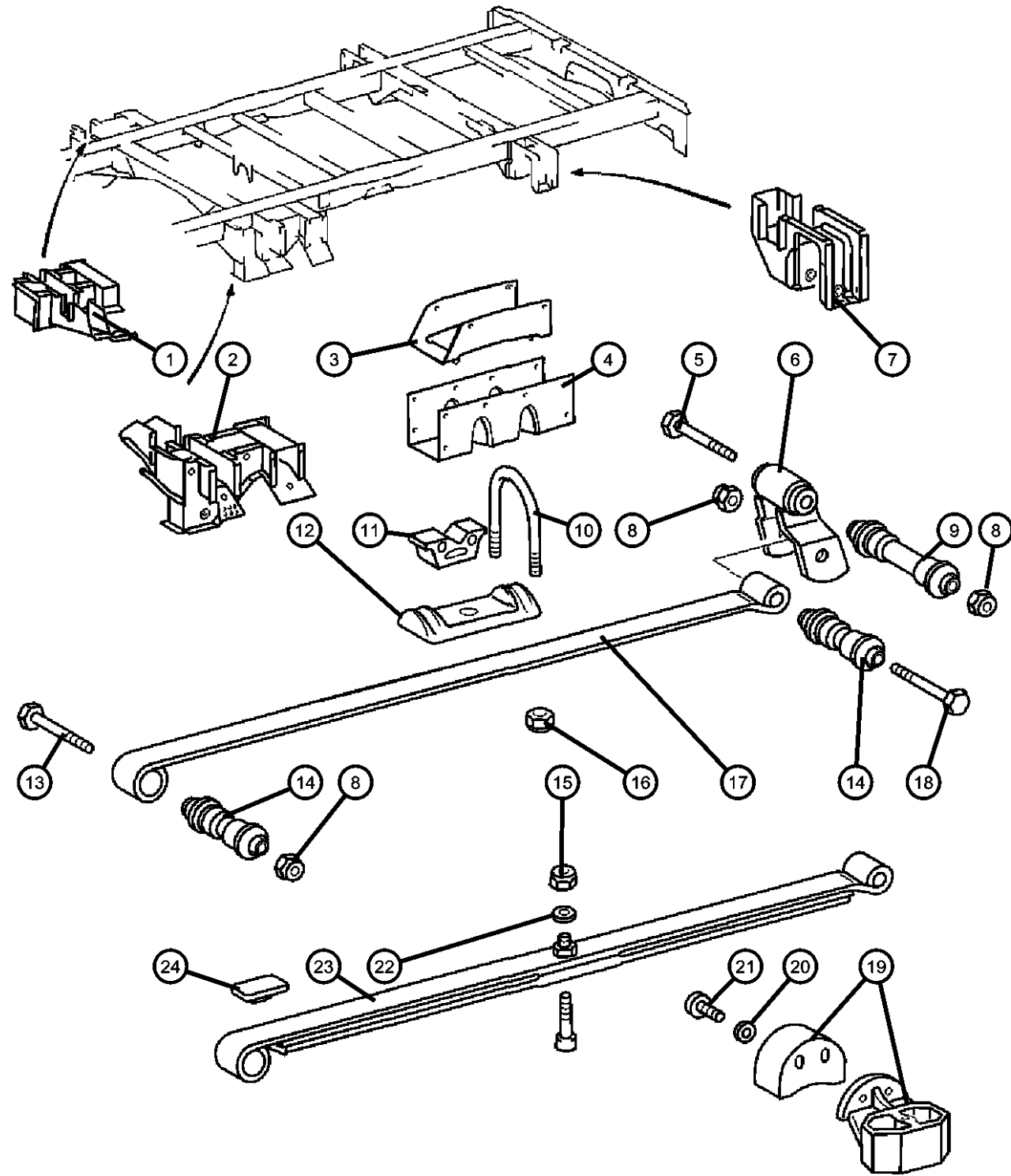
TRANSMISSION

DGJ = Transmission - 5-Spd Auto, MB

AR = use ase required - = Non illustrated part

2005 VA

Rear Springs, 2500 Series
Figure 17-120



ITEM	PART NUMBER	QTY	LINE	SERIES	BODY	ENGINE	TRANS	TRIM	DESCRIPTION
		2	2, 6	L	11, 12, 14, 15, 16	EX8	DGJ		Right or Left
		2	2, 6	L	51, 52, 54, 55, 56	EX8	DGJ		Right or Left
10									U-BOLT
	05104069AA	4	2, 6	L	11, 12, 14, 15, 16	EX8	DGJ		
	05104070AA	4	2, 6	L	51, 52, 54, 55, 56	EX8	DGJ		
		4	2, 6	L	01, 02, 06	EX8	DGJ		
11									BUMPER, Jounce
	05118762AA	2	2, 6	L	01, 02, 06	EX8	DGJ		Without [WDG]
		2	2, 6	L	11, 12, 14, 15, 16	EX8	DGJ		Without [WDG]
		2	2, 6	L	51, 52, 54, 55, 56	EX8	DGJ		Without [WDG]
	05128586AA	2	2, 6	L	01, 02, 06	EX8	DGJ		With [WDG]
		2	2, 6	L	11, 12, 14, 15, 16	EX8	DGJ		With [WDG]
		2	2, 6	L	51, 52, 54, 55, 56	EX8	DGJ		With [WDG]
12									PLATE, Rear Spring U-Bolt
	05118774AA	2	2, 6	L	01, 02, 06	EX8	DGJ		
		2	2, 6	L	11, 12, 14, 15, 16	EX8	DGJ		
		2	2, 6	L	51, 52, 54, 55, 56	EX8	DGJ		
13									BOLT
	06104247AA	2	2, 6	L	11, 12, 14, 15, 16	EX8	DGJ		Mounting
		2	2, 6	L	51, 52, 54, 55, 56	EX8	DGJ		Mounting
14									BUSHING, Spring
	05118732AA	4	2, 6	L	01, 02, 06	EX8	DGJ		Front or Rear

SPRINTER (VA)

SERIES

L = LOWLINE

LINE

3 = HD DODGE 2WD
8 = HD DODGE 4WD
6 = Lt. Duty DODGE 4WD
2 = Med. Duty DODGE 2WD
7 = Med. Duty DODGE 4WD
4 = TRUCK

BODY

12 = Van 140"
51 = Wagon 118"
52 = Wagon 140"
14 = Van 118"
15 = Van 140"
16 = Van 158"
54 = Wagon 118"
55 = Wagon 140"
56 = Wagon 158"
01 = Chassis Forward Control 118"
02 = Chassis Forward Control 140"
06 = Front Section 158"
11 = Van 118"

ENGINE

EX8 = Engine - 2.7L I5
Mercedes-Benz TD

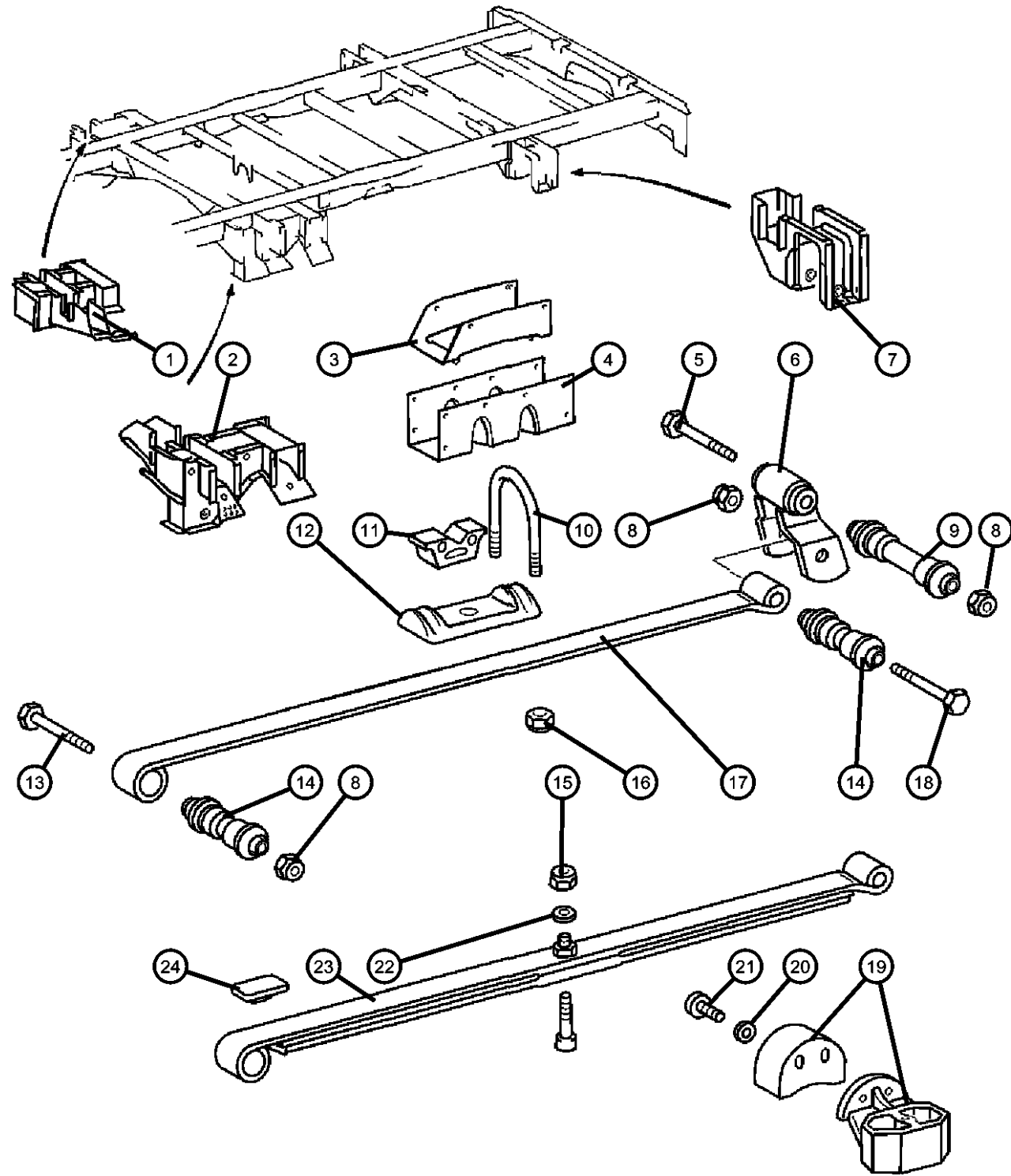
TRANSMISSION

DGJ = Transmission - 5-Spd Auto, MB

AR = use ase required - = Non illustrated part

2005 VA

Rear Springs, 2500 Series
Figure 17-120



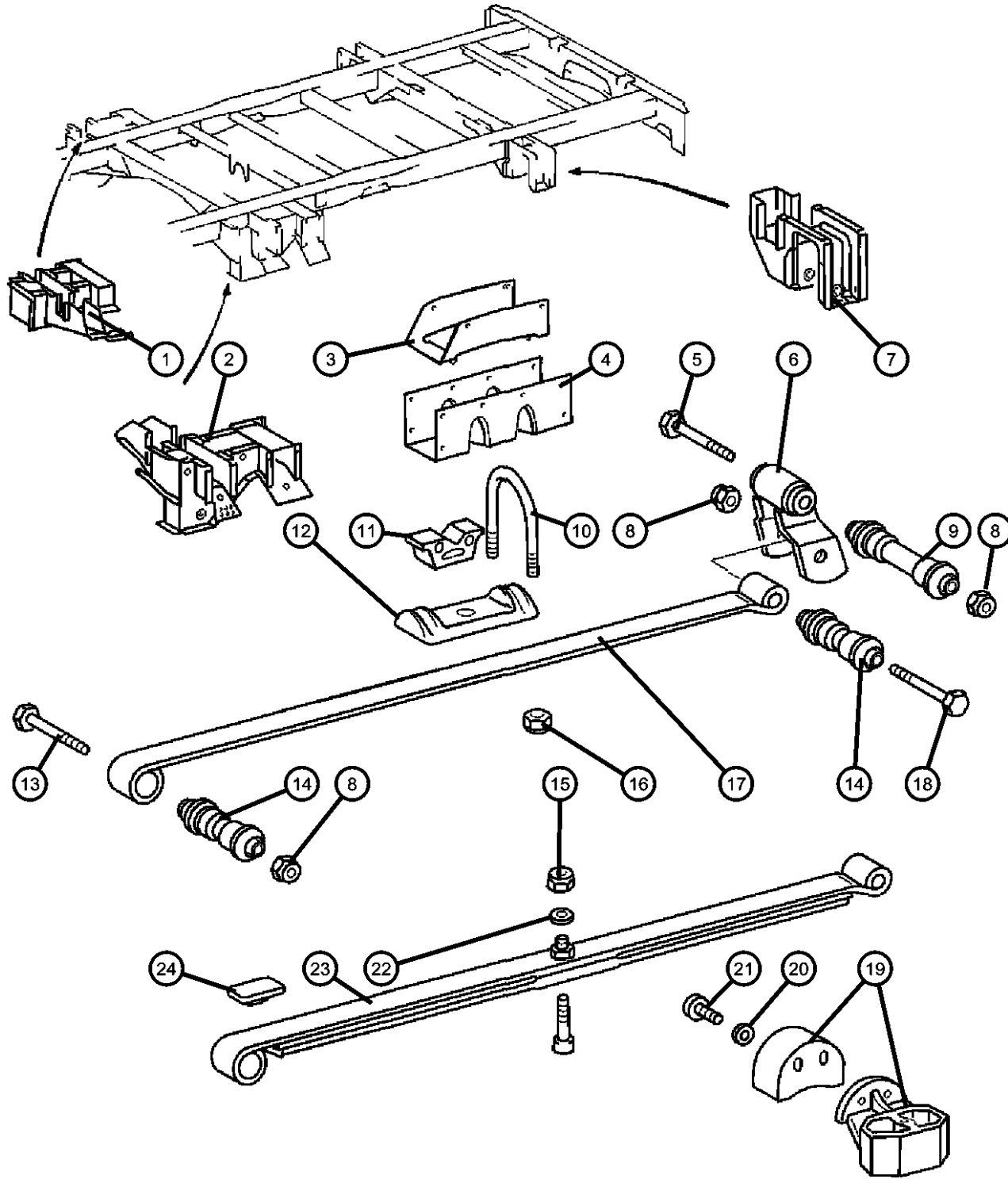
ITEM	PART NUMBER	QTY	LINE	SERIES	BODY	ENGINE	TRANS	TRIM	DESCRIPTION
		4	2, 6	L	11, 12, 14, 15, 16	EX8	DGJ		Front or Rear
		4	2, 6	L	51, 52, 54, 55, 56	EX8	DGJ		Front or Rear
15									NUT, Hex
	05097685AA	2	2, 6	L	01, 02, 06	EX8	DGJ		
		2	2, 6	L	11, 12, 14, 15, 16	EX8	DGJ		
		2	2, 6	L	51, 52, 54, 55, 56	EX8	DGJ		
16									NUT
	05103727AA	8	2, 6	L	01, 02, 06	EX8	DGJ		
		8	2, 6	L	11, 12, 14, 15, 16	EX8	DGJ		
		8	2, 6	L	51, 52, 54, 55, 56	EX8	DGJ		
17									SPRING, Rear
	05128482AA	2	2, 6	L	01, 02, 06	EX8	DGJ		With [3AT], Right or Left
		2	2, 6	L	11, 12, 14, 15, 16	EX8	DGJ		With [3AT], Right or Left
	05118616AA	2	2, 6	L	01, 02, 06	EX8	DGJ		Right or Left
		2	2, 6	L	11, 12, 14, 15, 16	EX8	DGJ		Right or Left
	05118619AA	2	2, 6	L	51, 52, 54, 55, 56	EX8	DGJ		Right or Left
	05128488AA	2	2, 6	L	01, 02, 06	EX8	DGJ		With [3AT,WDG], Right or Left
		2	2, 6	L	11, 12, 14, 15, 16	EX8	DGJ		With [3AT,WDG], Right or Left
18									BOLT
	05125718AA	2	2, 6	L	01, 02, 06	EX8	DGJ		Shackle to Spring Rear, Mounting
		2	2, 6	L	11, 12, 14, 15, 16	EX8	DGJ		Shackle to Spring Rear, Mounting
		2	2, 6	L	51, 52, 54, 55, 56	EX8	DGJ		Shackle to Spring Rear, Mounting
19		2							SHIM, (NOT SERVICED),

SPRINTER (VA)

SERIES	LINE	BODY	ENGINE	TRANSMISSION
L = LOWLINE	3 = HD DODGE 2WD 8 = HD DODGE 4WD 6 = Lt. Duty DODGE 4WD 2 = Med. Duty DODGE 2WD 7 = Med. Duty DODGE 4WD 4 = TRUCK	12 = Van 140" 51 = Wagon 118" 52 = Wagon 140" 14 = Van 118" 15 = Van 140" 16 = Van 158" 54 = Wagon 118" 55 = Wagon 140" 56 = Wagon 158" 01 = Chassis Forward Control 118" 02 = Chassis Forward Control 140" 06 = Front Section 158" 11 = Van 118"	EX8 = Engine - 2.7L I5 Mercedes-Benz TD	DGJ = Transmission - 5-Spd Auto, MB

AR = use ase required - = Non illustrated part

Rear Springs, 2500 Series
Figure 17-120



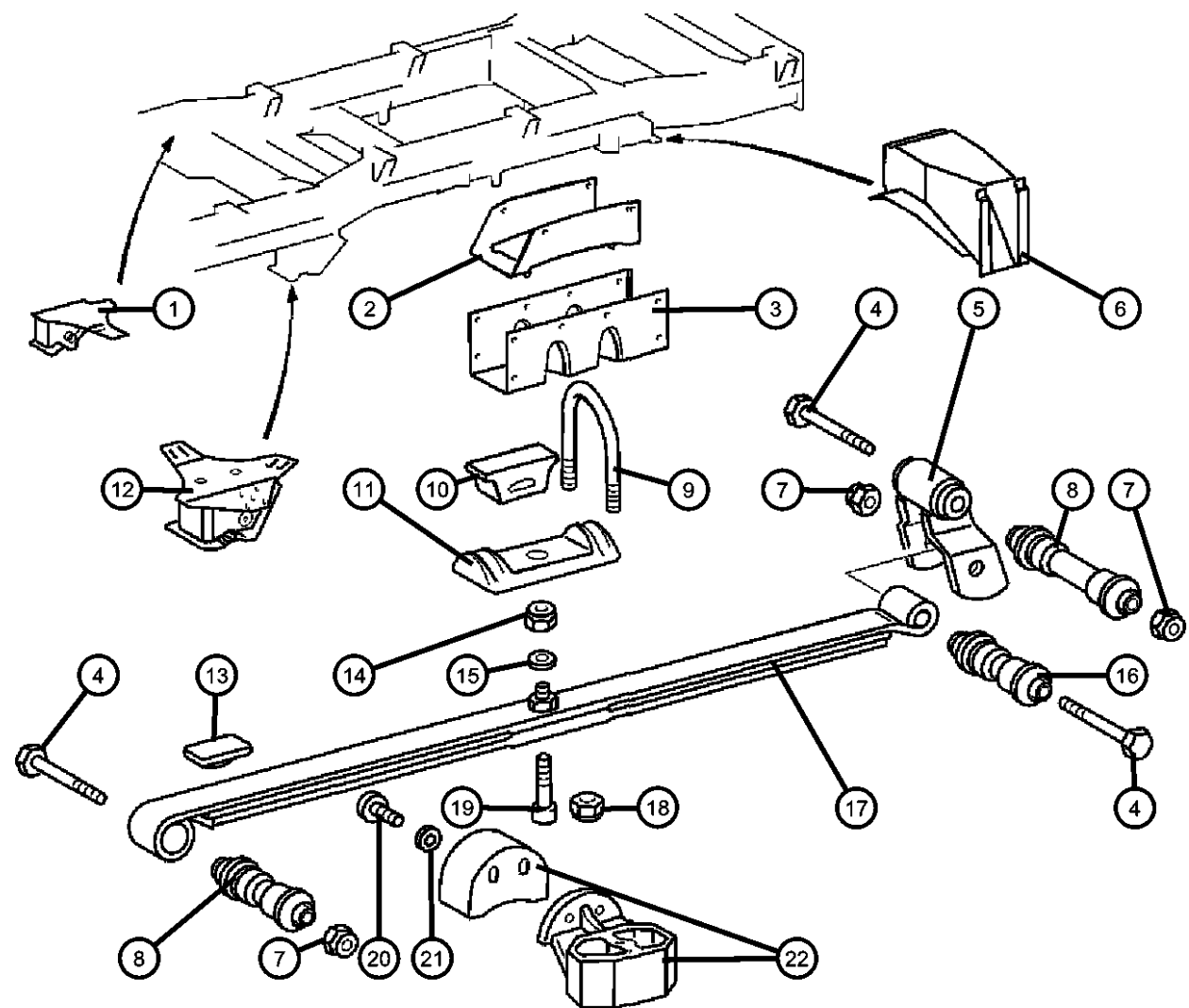
ITEM	PART NUMBER	QTY	LINE	SERIES	BODY	ENGINE	TRANS	TRIM	DESCRIPTION
20	05126126AA	4	2, 6	L	11, 12, 14, 15, 16	EX8	DGJ		NUT
21	05097678AA	4	2, 6	L	11, 12, 14, 15, 16				BOLT
		4	2, 6	L	51, 52, 54, 55, 56				
22	05133886AA	2	2, 3, 6, 7				DGJ		WASHER
23	05128488AA	2	2, 6	L	11, 12, 14, 15, 16	EX8	DGJ		SPRING, Rear With [4E9,3AT,WDG]
	05118619AA	2	2, 6	L	51, 52, 54, 55, 56	EX8	DGJ		With [4E9]
	05128484AA	2	2, 6	L	51, 52, 54, 55, 56	EX8	DGJ		With [4E9,3B4]
		2	2, 6	L	01, 02, 06	EX8	DGJ		With [4E9,3AT,WDG]
	05128490AA	2	2, 6	L	51, 52, 54, 55, 56	EX8	DGJ		With [4E9,3B4,WDG]
24	05104068AA	4	2, 6	L	51, 52, 54, 55, 56	EX8	DGJ		CUSHION

SPRINTER (VA)

SERIES	LINE	BODY	ENGINE	TRANSMISSION
L = LOWLINE	3 = HD DODGE 2WD 8 = HD DODGE 4WD 6 = Lt. Duty DODGE 4WD 2 = Med. Duty DODGE 2WD 7 = Med. Duty DODGE 4WD 4 = TRUCK	12 = Van 140" 51 = Wagon 118" 52 = Wagon 140" 14 = Van 118" 15 = Van 140" 16 = Van 158" 54 = Wagon 118" 55 = Wagon 140" 56 = Wagon 158" 01 = Chassis Forward Control 118" 02 = Chassis Forward Control 140" 06 = Front Section 158" 11 = Van 118"	EX8 = Engine - 2.7L I5 Mercedes-Benz TD	DGJ = Transmission - 5-Spd Auto, MB

AR = use ase required - = Non illustrated part

Rear Springs, 3500 Series
Figure 17-130



ITEM	PART NUMBER	QTY	LINE	SERIES	BODY	ENGINE	TRANS	TRIM	DESCRIPTION
1	05118688AA	1	3, 7	L	12, 15, 16	EX8	DGJ		BRACKET, SpringRight Front
2	05118339AA	2	3, 7	L	02, 06	EX8	DGJ		BRACKET, Spring Right or Left
		2	3, 7	L	12, 15, 16	EX8	DGJ		Right or Left
3	05118355AA	2	3, 7	L	02, 06	EX8	DGJ		TRUSS, Leaf spring Right or Left
		2	3, 7	L	12, 15, 16	EX8	DGJ		Right or Left
4	06104285AA	2	3, 7	L	02, 06	EX8	DGJ		SCREW
		2	3, 7	L	12, 15, 16	EX8	DGJ		
5	05118655AA	2	3, 7	L	02, 06	EX8	DGJ		SHACKLE, Spring Right or Left
		2	3, 7	L	12, 15, 16	EX8	DGJ		Right or Left
6	05118680AA	2	3, 7	L	12, 15, 16	EX8	DGJ		BRACKET, SpringRight or Left
7	05125760AA	2	3, 7	L	02, 06	EX8	DGJ		NUT, Hex Flange Lock
		2	3, 7	L	12, 15, 16	EX8	DGJ		
8	05118729AA	2	3, 7	L	02, 06	EX8	DGJ		BUSHING, Spring Front
		2	3, 7	L	12, 15, 16	EX8	DGJ		Front
9	05118765AA	4	3, 7	L	02, 06	EX8	DGJ		U-BOLT
		4	3, 7	L	12, 15, 16	EX8	DGJ		
10	05118759AA	2	3, 7	L	02, 06	EX8	DGJ		BUMPER, Spring, Rear
		2	3, 7	L	12, 15, 16	EX8	DGJ		
11		2							PLATE, (NOT SERVICED)
12	05118686AA	1	3, 7	L	12, 15, 16	EX8	DGJ		BRACKET, SpringLeft Front

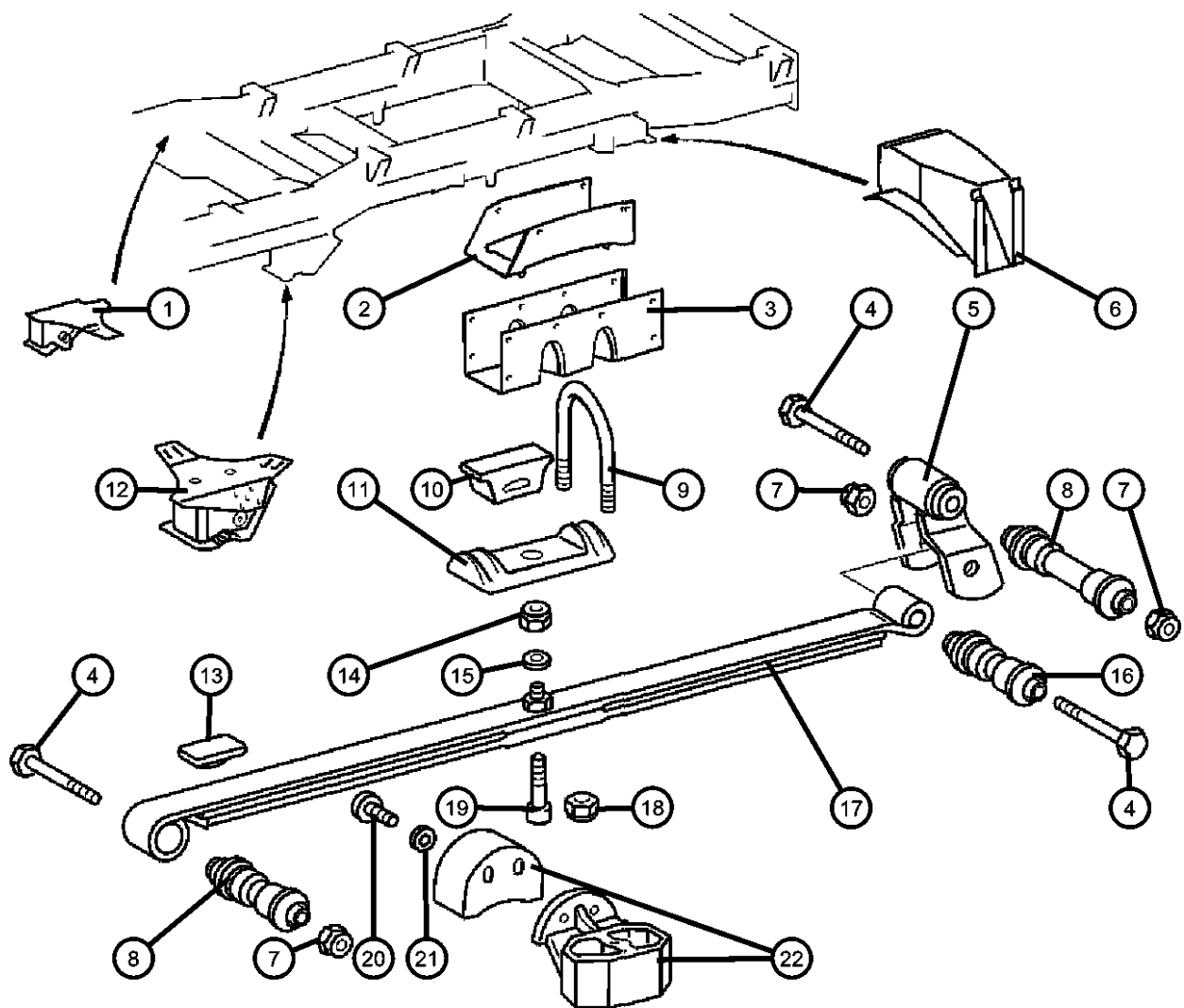
SPRINTER (VA)

SERIES	LINE	BODY	ENGINE	TRANSMISSION
L = LOWLINE	3 = HD DODGE 2WD 8 = HD DODGE 4WD 6 = Lt. Duty DODGE 4WD 2 = Med. Duty DODGE 2WD 7 = Med. Duty DODGE 4WD 4 = TRUCK	12 = Van 140" 51 = Wagon 118" 52 = Wagon 140" 14 = Van 118" 15 = Van 140" 16 = Van 158" 54 = Wagon 118" 55 = Wagon 140" 56 = Wagon 158" 01 = Chassis Forward Control 118" 02 = Chassis Forward Control 140" 06 = Front Section 158" 11 = Van 118"	EX8 = Engine - 2.7L I5 Mercedes-Benz TD	DGJ = Transmission - 5-Spd Auto, MB

AR = use ase required - = Non illustrated part

2005 VA

Rear Springs, 3500 Series
Figure 17-130



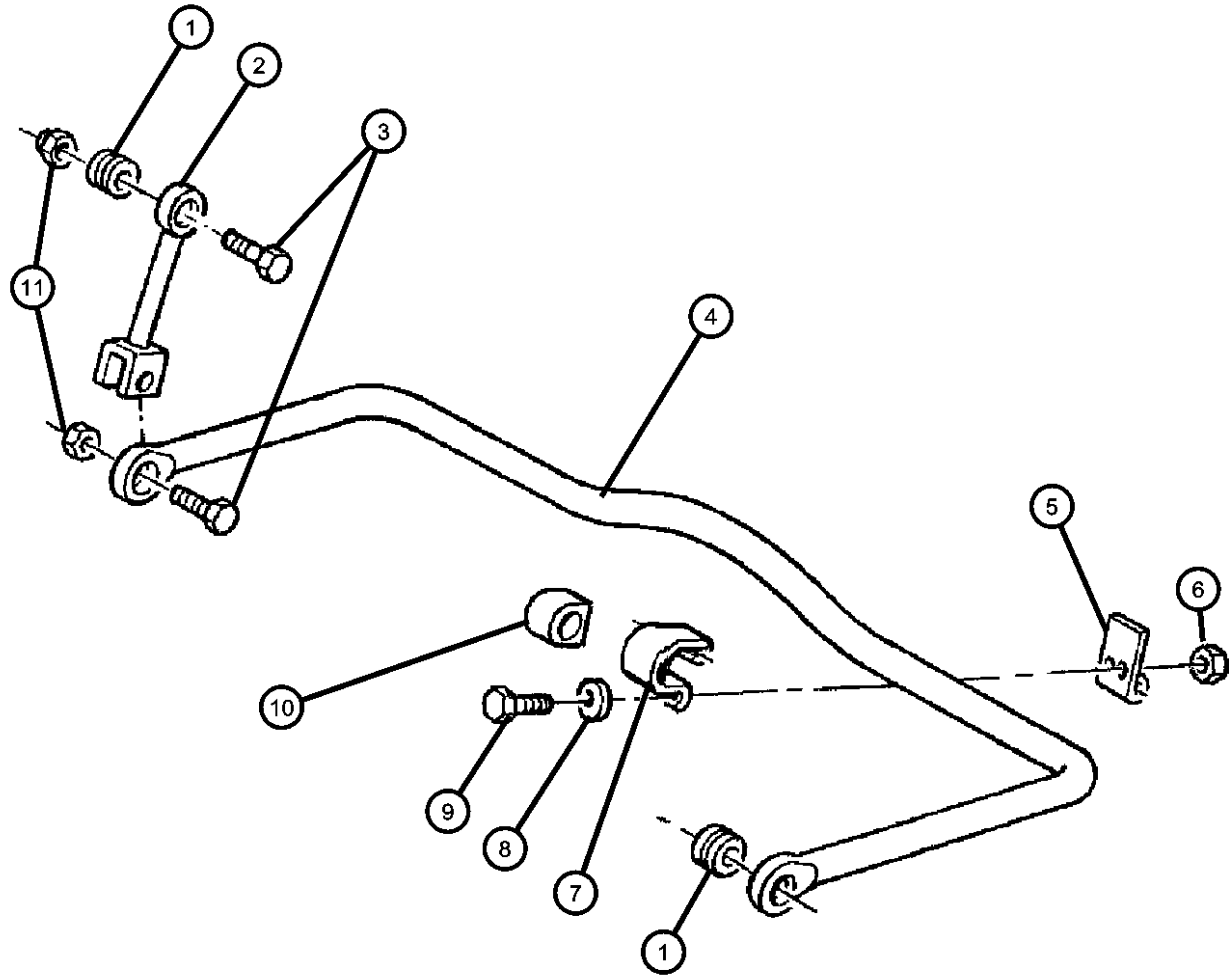
ITEM	PART NUMBER	QTY	LINE	SERIES	BODY	ENGINE	TRANS	TRIM	DESCRIPTION
13	05104068AA	4	2, 6	L	51, 52, 54, 55, 56	EX8	DGJ		CUSHION
		4	3, 7	L	02, 06	EX8	DGJ		
		4	3, 7	L	12, 15, 16	EX8	DGJ		
14	05133872AA	2	3, 7	L	12, 15, 16	EX8	DGJ		NUT, Hex
15	05126120AA	2	3, 7	L	02, 06	EX8	DGJ		WASHER, Spring
		2	3, 7	L	12, 15, 16	EX8	DGJ		
16	05118703AA	2	3, 7	L	02, 06	EX8	DGJ		BUSHING, Spring
		2	3, 7	L	12, 15, 16	EX8	DGJ		
17	05118621AA	2	3, 7	L	02, 06	EX8	DGJ		Rear SPRING, Rear
		2	3, 7	L	12, 15, 16	EX8	DGJ		Right or Left Right or Left
18	05103727AA	8	3, 7	L	02, 06	EX8	DGJ		NUT
		8	3, 7	L	12, 15, 16	EX8	DGJ		
19	05133871AA	2	3, 7	L	02, 06	EX8	DGJ		BOLT
		2	3, 7	L	12, 15, 16	EX8	DGJ		
20	05097678AB	4	3, 7	L	12, 15, 16				BOLT
21	05126126AA	4	2, 6	L	11, 12, 14, 15, 16	EX8	DGJ		NUT
		4	3, 7	L	12, 15, 16	EX8	DGJ		
22		4							SHIM, (NOT SERVICED)

SPRINTER (VA)

SERIES	LINE	BODY	ENGINE	TRANSMISSION
L = LOWLINE	3 = HD DODGE 2WD 8 = HD DODGE 4WD 6 = Lt. Duty DODGE 4WD 2 = Med. Duty DODGE 2WD 7 = Med. Duty DODGE 4WD 4 = TRUCK	12 = Van 140" 51 = Wagon 118" 52 = Wagon 140" 14 = Van 118" 15 = Van 140" 16 = Van 158" 54 = Wagon 118" 55 = Wagon 140" 56 = Wagon 158" 01 = Chassis Forward Control 118" 02 = Chassis Forward Control 140" 06 = Front Section 158" 11 = Van 118"	EX8 = Engine - 2.7L I5 Mercedes-Benz TD	DGJ = Transmission - 5-Spd Auto, MB

AR = use ase required - = Non illustrated part

**Stabilizer Bar,Rear
Figure 17-210**



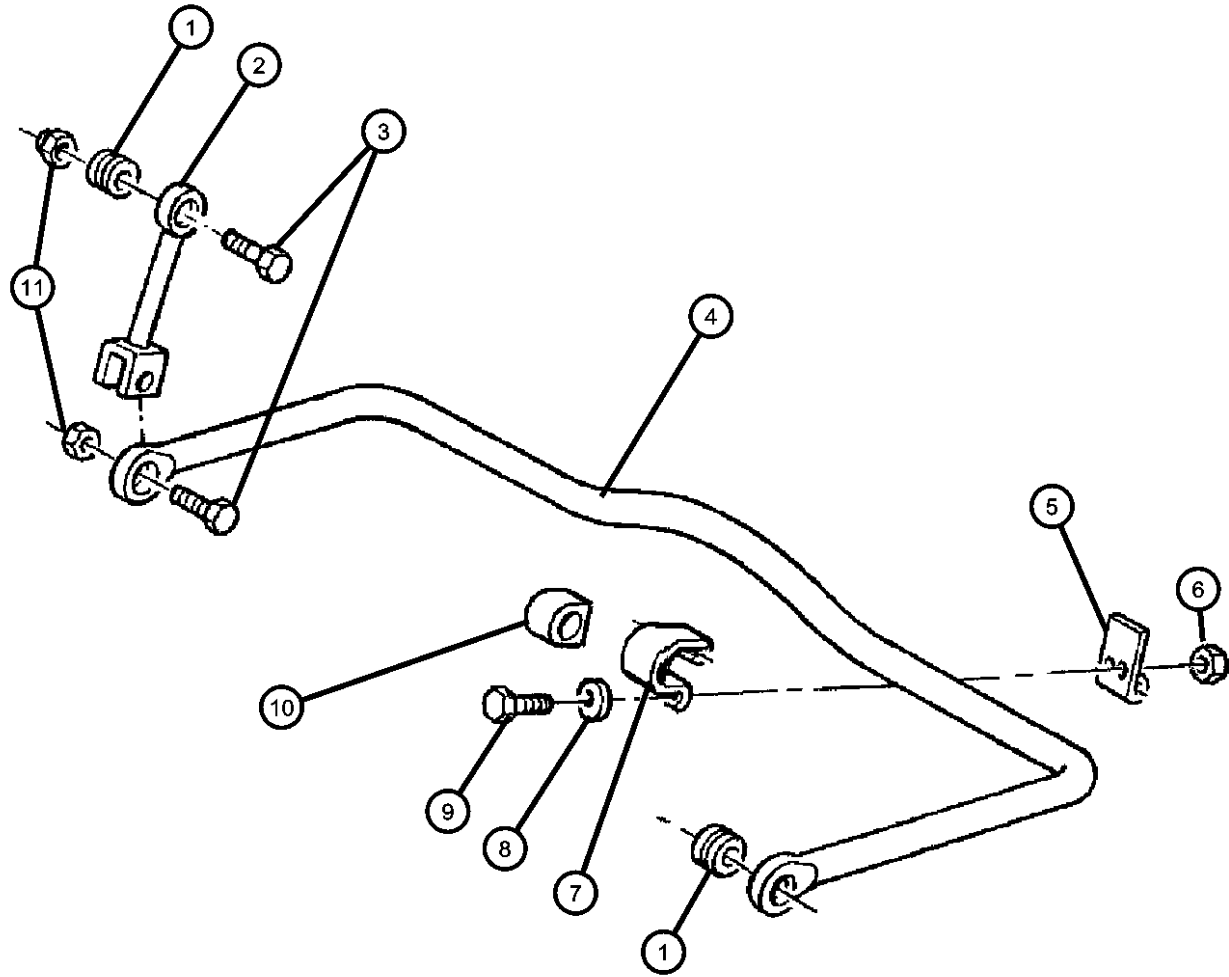
ITEM	PART NUMBER	QTY	LINE	SERIES	BODY	ENGINE	TRANS	TRIM	DESCRIPTION
1									BUSHING, Stabilizer Bar
	05103955AA	2	2, 6	L	01, 02, 06	EX8	DGJ		
		2	2, 6	L	11, 12, 14, 15, 16	EX8	DGJ		
		2	2, 6	L	51, 52, 54, 55, 56	EX8	DGJ		
		2	3, 7	L	02, 06	EX8	DGJ		
		2	3, 7	L	12, 15, 16	EX8	DGJ		
2									LINK, Stabilizer Bar
	05104058AA	2	2, 6	L	01, 02, 06	EX8	DGJ		Right or Left
		2	2, 6	L	11, 12, 14, 15, 16	EX8	DGJ		Right or Left
		2	2, 6	L	51, 52, 54, 55, 56	EX8	DGJ		Right or Left
	05118696AA	2	3, 7	L	02, 06	EX8	DGJ		Right or Left
		2	3, 7	L	12, 15, 16	EX8	DGJ		Right or Left
3									BOLT
	06104238AA	2	2, 6	L	01, 02, 06	EX8	DGJ		M12x1.5x50
		2	2, 6	L	11, 12, 14, 15, 16	EX8	DGJ		M12x1.5x50
		2	2, 6	L	51, 52, 54, 55, 56	EX8	DGJ		M12x1.5x50
		2	3, 7	L	02, 06	EX8	DGJ		M12x1.5x50
		2	3, 7	L	12, 15, 16	EX8	DGJ		M12x1.5x50
	06104239AA	2	2, 6	L	01, 02, 06	EX8	DGJ		M12x1.5x55
		2	2, 6	L	11, 12, 14, 15, 16	EX8	DGJ		M12x1.5x55
		2	2, 6	L	51, 52, 54, 55, 56	EX8	DGJ		M12x1.5x55
		2	3, 7	L	02, 06	EX8	DGJ		M12x1.5x55
		2	3, 7	L	12, 15, 16	EX8	DGJ		M12x1.5x55
4									SWAY BAR
	05118632AA	1	3, 7	L	02, 06	EX8	DGJ		[SHC]

SPRINTER (VA)

SERIES	LINE	BODY	ENGINE	TRANSMISSION
L = LOWLINE	3 = HD DODGE 2WD 8 = HD DODGE 4WD 6 = Lt. Duty DODGE 4WD 2 = Med. Duty DODGE 2WD 7 = Med. Duty DODGE 4WD 4 = TRUCK	12 = Van 140" 51 = Wagon 118" 52 = Wagon 140" 14 = Van 118" 15 = Van 140" 16 = Van 158" 54 = Wagon 118" 55 = Wagon 140" 56 = Wagon 158" 01 = Chassis Forward Control 118" 02 = Chassis Forward Control 140" 06 = Front Section 158" 11 = Van 118"	EX8 = Engine - 2.7L I5 Mercedes-Benz TD	DGJ = Transmission - 5-Spd Auto, MB

AR = use ase required - = Non illustrated part

**Stabilizer Bar,Rear
Figure 17-210**



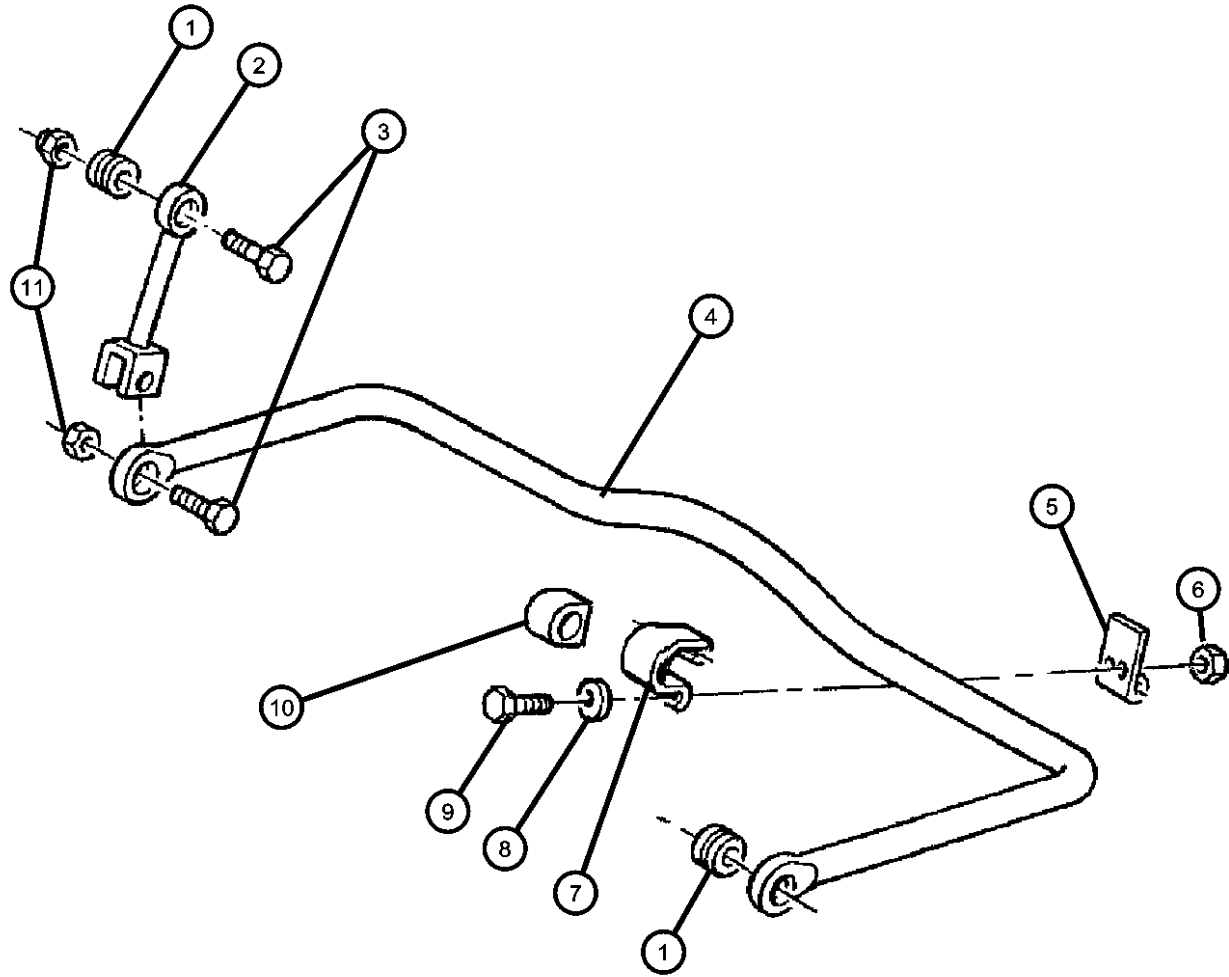
ITEM	PART NUMBER	QTY	LINE	SERIES	BODY	ENGINE	TRANS	TRIM	DESCRIPTION
		1	3, 7	L	12, 15, 16	EX8	DGJ		[SHC]
	05128494AA	1	2, 6	L	01, 02, 06	EX8	DGJ		[SHC]
		1	2, 6	L	11, 12, 14, 15, 16	EX8	DGJ		[SHC]
		1	2, 6	L	51, 52, 54, 55, 56	EX8	DGJ		[SHC]
5									BRACKET, Stabilizer Bar
	05128598AA	2	2, 6	L	01, 02, 06	EX8	DGJ		
		2	2, 6	L	11, 12, 14, 15, 16	EX8	DGJ		
		2	2, 6	L	51, 52, 54, 55, 56	EX8	DGJ		
6									NUT
	05133878AA	4	2, 6	L	01, 02, 06	EX8	DGJ		[SHC]
		4	2, 6	L	11, 12, 14, 15, 16	EX8	DGJ		[SHC]
		4	2, 6	L	51, 52, 54, 55, 56	EX8	DGJ		[SHC]
	06104716AA	4	2, 6	L	01, 02, 06	EX8	DGJ		
		4	2, 6	L	11, 12, 14, 15, 16	EX8	DGJ		
		4	2, 6	L	51, 52, 54, 55, 56	EX8	DGJ		
		4	3, 7	L	02, 06	EX8	DGJ		
		4	3, 7	L	12, 15, 16	EX8	DGJ		
7									RETAINER, Stabilizer Bar Grommet
	05132783AA	2	2, 6	L	01, 02, 06	EX8	DGJ		
		2	2, 6	L	11, 12, 14, 15, 16	EX8	DGJ		
		2	2, 6	L	51, 52, 54, 55, 56	EX8	DGJ		
	05136068AA	2	3, 7	L	02, 06	EX8	DGJ		
		2	3, 7	L	12, 15, 16	EX8	DGJ		

SPRINTER (VA)

SERIES	LINE	BODY	ENGINE	TRANSMISSION
L = LOWLINE	3 = HD DODGE 2WD 8 = HD DODGE 4WD 6 = Lt. Duty DODGE 4WD 2 = Med. Duty DODGE 2WD 7 = Med. Duty DODGE 4WD 4 = TRUCK	12 = Van 140" 51 = Wagon 118" 52 = Wagon 140" 14 = Van 118" 15 = Van 140" 16 = Van 158" 54 = Wagon 118" 55 = Wagon 140" 56 = Wagon 158" 01 = Chassis Forward Control 118" 02 = Chassis Forward Control 140" 06 = Front Section 158" 11 = Van 118"	EX8 = Engine - 2.7L I5 Mercedes-Benz TD	DGJ = Transmission - 5-Spd Auto, MB

AR = use ase required - = Non illustrated part

**Stabilizer Bar,Rear
Figure 17-210**



ITEM	PART NUMBER	QTY	LINE	SERIES	BODY	ENGINE	TRANS	TRIM	DESCRIPTION
8	05104615AA	4							WASHER
9	06104031AA	2	2, 3, 6, 7	L		EX8	DGJ		SCREW
10									BUSHING, Stabilizer Bar
	05104073AA	2	2, 6	L	01, 02, 06	EX8	DGJ		[SHC]
		2	2, 6	L	11, 12, 14, 15, 16	EX8	DGJ		[SHC]
		2	2, 6	L	51, 52, 54, 55, 56	EX8	DGJ		[SHC]
	05118800AA	2	3, 7	L	02, 06	EX8	DGJ		[SHC]
		2	3, 7	L	12, 15, 16	EX8	DGJ		[SHC]
	05118801AA	2	3, 7	L	02, 06				
		2	3, 7	L	12, 15, 16				
11									NUT
	06104718AA	2	2, 6	L	01, 02, 06	EX8	DGJ		
		2	2, 6	L	11, 12, 14, 15, 16	EX8	DGJ		
		2	2, 6	L	51, 52, 54, 55, 56	EX8	DGJ		
		2	3, 7	L	02, 06	EX8	DGJ		
		2	3, 7	L	12, 15, 16	EX8	DGJ		

SPRINTER (VA)

SERIES	LINE	BODY	ENGINE	TRANSMISSION
L = LOWLINE	3 = HD DODGE 2WD	12 = Van 140"	EX8 = Engine - 2.7L I5	DGJ = Transmission - 5-Spd Auto, MB
	8 = HD DODGE 4WD	51 = Wagon 118"	Mercedes-Benz TD	
	6 = Lt. Duty DODGE 4WD	52 = Wagon 140"		
	2 = Med. Duty DODGE 2WD	14 = Van 118"		
	7 = Med. Duty DODGE 4WD	15 = Van 140"		
	4 = TRUCK	16 = Van 158"		
		54 = Wagon 118"		
		55 = Wagon 140"		
		56 = Wagon 158"		
		01 = Chassis Forward Control 118"		
		02 = Chassis Forward Control 140"		
		06 = Front Section 158"		
		11 = Van 118"		

AR = use ase required - = Non illustrated part

Group - 19

Steering

Group - 19 Steering

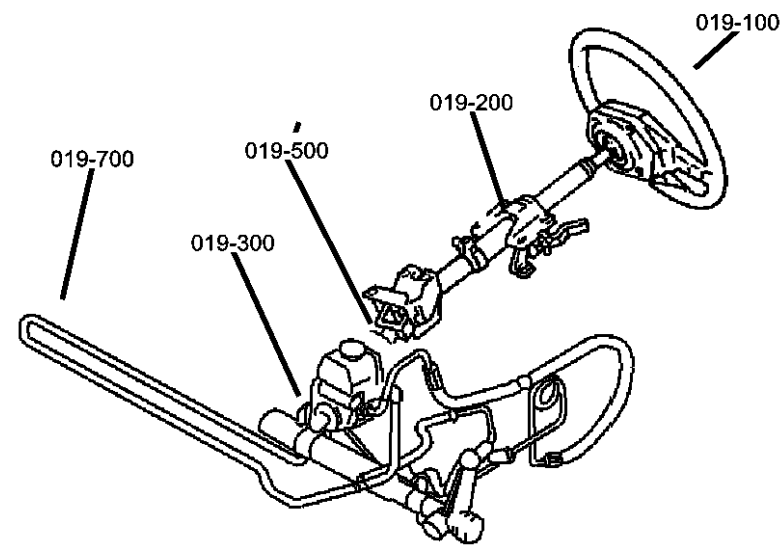


Illustration Title

Group-Fig. No.

Steering Wheel

Steering Wheel and Related Fig. 19 - 110

Steering Column

Column Steering and Related Fig. 19 - 210

Steering Gear

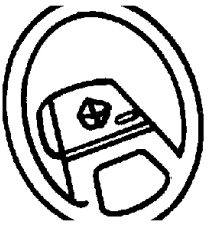
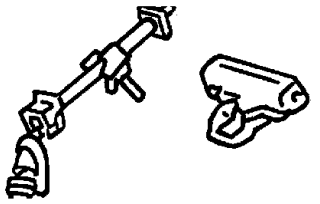
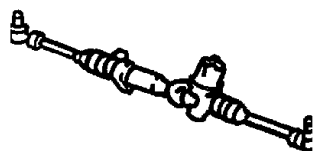
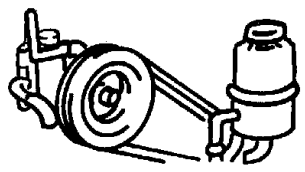
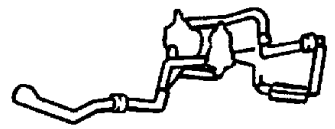
Gear - Steering Fig. 19 - 310

Power Steering Pump

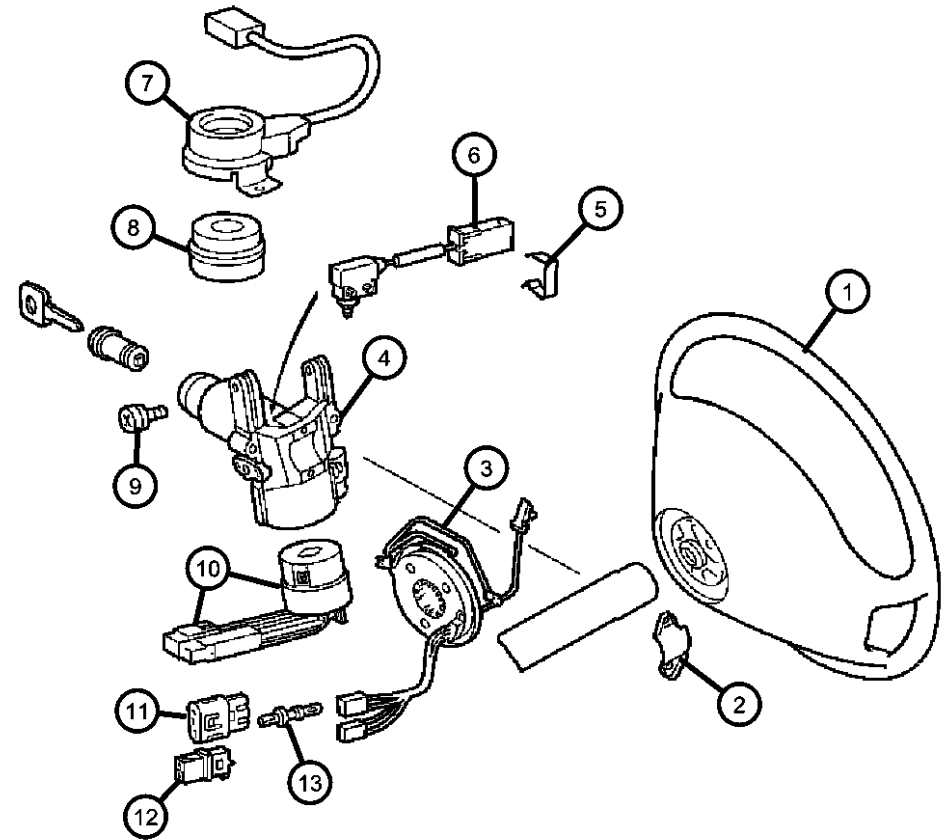
Pump and Pulley, Steering Fig. 19 - 510

Power Steering Hoses

Hoses Steering and Related Fig. 19 - 710

<p>019-100 Steering Wheel</p> 	<p>019-200 Steering Column</p> 	<p>019-300 Steering Gear</p> 	<p>019-500 Power Steering Pump</p> 
<p>019-700 Power Steering Hoses</p> 			

**Steering Wheel and Related
Figure 19-110**



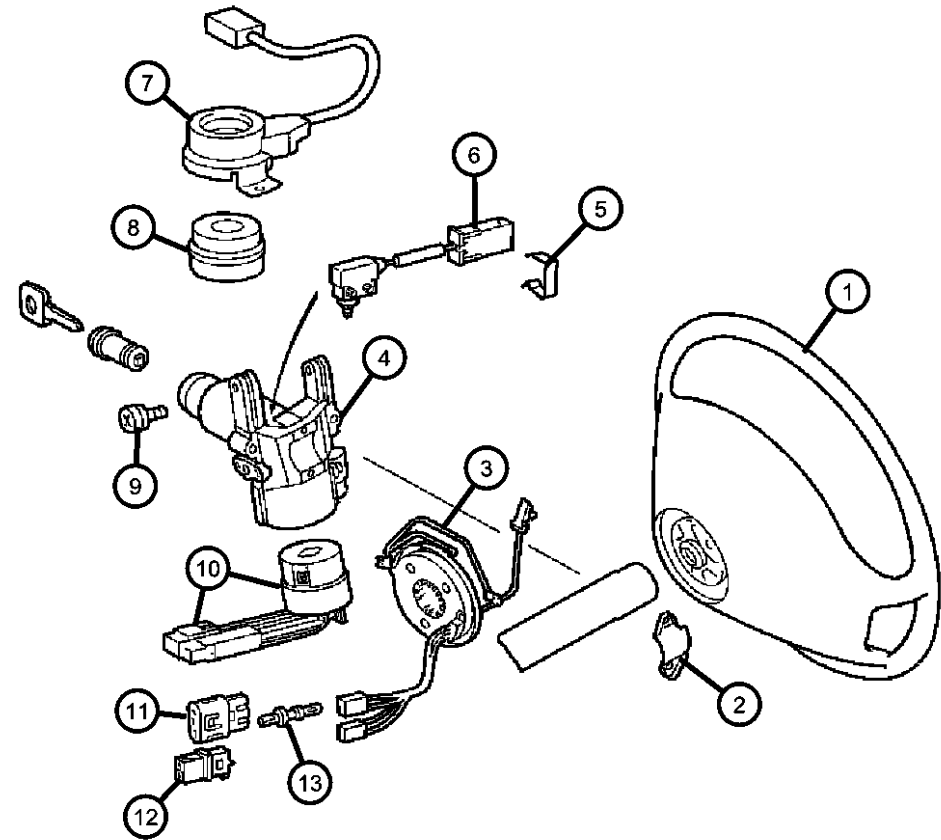
ITEM	PART NUMBER	QTY	LINE	SERIES	BODY	ENGINE	TRANS	TRIM	DESCRIPTION
Sale Code EX8=2.7L I5 MERCEDES-BENZ									
1									WHEEL, Steering
	0ZF45BD1AA	1	3, 7	L	02, 06	EX8	DGJ		
		1	3, 7	L	12, 15, 16	EX8	DGJ		
		1	2, 6	L	01, 02, 06	EX8	DGJ		
		1	6, 2	L	11, 12, 14, 15, 16	EX8	DGJ		
		1	2, 6	L	51, 52, 54, 55, 56	EX8	DGJ		
2									BRACKET, Steering Column
	05104096AA	1	2, 6	L	01, 02, 06	EX8	DGJ		
		1	2, 6	L	11, 12, 14, 15, 16	EX8	DGJ		
		1	2, 6	L	51, 52, 54, 55, 56	EX8	DGJ		
		1	3, 7	L	02, 06	EX8	DGJ		
		1	3, 7	L	12, 15, 16	EX8	DGJ		
3									CLOCKSPRING
	05104089AA	1	2, 6	L	11, 12, 14, 15, 16	EX8	DGJ		
		1	2, 6	L	51, 52, 54, 55, 56	EX8	DGJ		
		1	3, 7	L	02, 06	EX8	DGJ		
		1	3, 7	L	12, 15, 16	EX8	DGJ		
		1	2, 6	L	01, 02, 06	EX8	DGJ		
4									HOUSING, Steering Column Lock
	05104092AA	1	2, 6	L	01, 02, 06	EX8	DGJ		
		1	2, 6	L	11, 12, 14, 15, 16	EX8	DGJ		
		1	2, 6	L	51, 52, 54, 55, 56	EX8	DGJ		
		1	3, 7	L	02, 06	EX8	DGJ		
		1	3, 7	L	12, 15, 16	EX8	DGJ		

SPRINTER (VA)

SERIES	LINE	BODY	ENGINE	TRANSMISSION
L = LOWLINE	3 = HD DODGE 2WD 8 = HD DODGE 4WD 6 = Lt. Duty DODGE 4WD 2 = Med. Duty DODGE 2WD 7 = Med. Duty DODGE 4WD 4 = TRUCK	12 = Van 140" 51 = Wagon 118" 52 = Wagon 140" 14 = Van 118" 15 = Van 140" 16 = Van 158" 54 = Wagon 118" 55 = Wagon 140" 56 = Wagon 158" 01 = Chassis Forward Control 118" 02 = Chassis Forward Control 140" 06 = Front Section 158" 11 = Van 118"	EX8 = Engine - 2.7L I5 Mercedes-Benz TD	DGJ = Transmission - 5-Spd Auto, MB

AR = use ase required - = Non illustrated part

**Steering Wheel and Related
Figure 19-110**



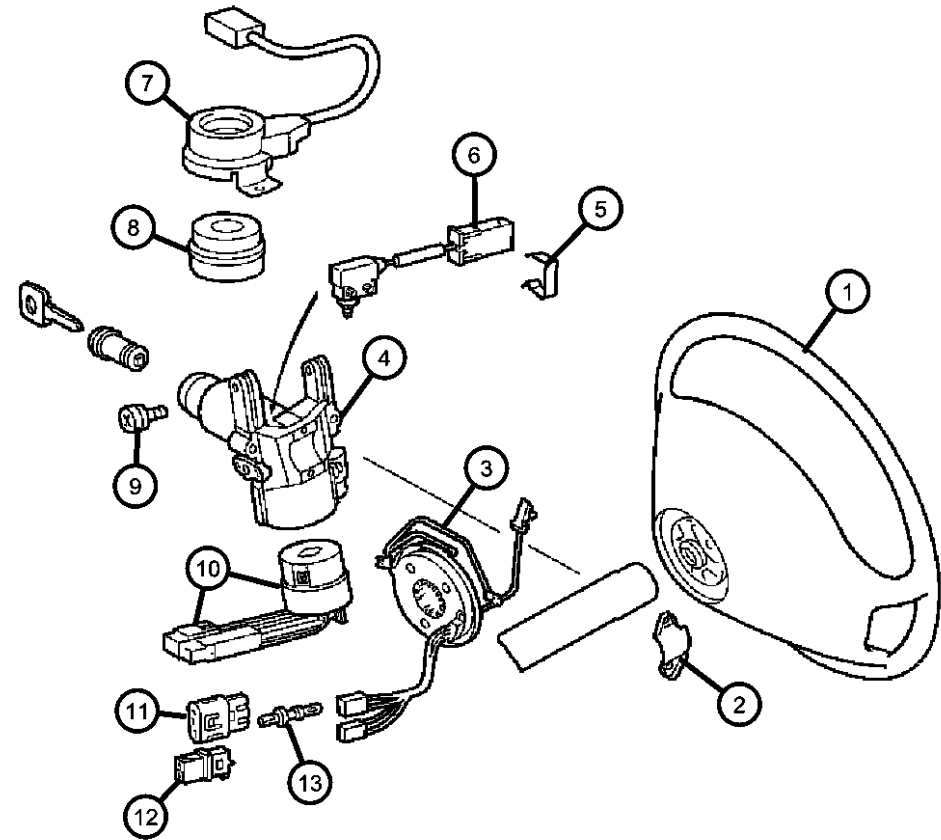
ITEM	PART NUMBER	QTY	LINE	SERIES	BODY	ENGINE	TRANS	TRIM	DESCRIPTION
5									SPRING
	05103660AA	1	2, 6	L	11, 12, 14, 15, 16	EX8	DGJ		
		1	2, 6	L	51, 52, 54, 55, 56	EX8	DGJ		
		1	3, 7	L	02, 06	EX8	DGJ		
		1	3, 7	L	12, 15, 16	EX8	DGJ		
		1	2, 6	L	01, 02, 06	EX8	DGJ		
6									SWITCH
	05103857AA	1	3, 7	L	02, 06	EX8	DGJ		
		1	3, 7	L	12, 15, 16	EX8	DGJ		
		1	2, 6	L	01, 02, 06	EX8	DGJ		
		1	2, 6	L	11, 12, 14, 15, 16	EX8	DGJ		
		1	2, 6	L	51, 52, 54, 55, 56	EX8	DGJ		
7									TRANSPONDER, Steering Wheel
	05120812AA	1	2, 6	L	01, 02, 06	EX8	DGJ		
		1	2, 6	L	11, 12, 14, 15, 16	EX8	DGJ		
		1	2, 6	L	51, 52, 54, 55, 56	EX8	DGJ		
		1	3, 7	L	02, 06	EX8	DGJ		
		1	3, 7	L	12, 15, 16	EX8	DGJ		
8									RING
	05104593AA	1	2, 6	L	01, 02, 06	EX8	DGJ		
		1	2, 6	L	11, 12, 14, 15, 16	EX8	DGJ		
		1	2, 6	L	51, 52, 54, 55, 56	EX8	DGJ		
		1	3, 7	L	02, 06	EX8	DGJ		
		1	3, 7	L	12, 15, 16	EX8	DGJ		

SPRINTER (VA)

SERIES	LINE	BODY	ENGINE	TRANSMISSION
L = LOWLINE	3 = HD DODGE 2WD 8 = HD DODGE 4WD 6 = Lt. Duty DODGE 4WD 2 = Med. Duty DODGE 2WD 7 = Med. Duty DODGE 4WD 4 = TRUCK	12 = Van 140" 51 = Wagon 118" 52 = Wagon 140" 14 = Van 118" 15 = Van 140" 16 = Van 158" 54 = Wagon 118" 55 = Wagon 140" 56 = Wagon 158" 01 = Chassis Forward Control 118" 02 = Chassis Forward Control 140" 06 = Front Section 158" 11 = Van 118"	EX8 = Engine - 2.7L I5 Mercedes-Benz TD	DGJ = Transmission - 5-Spd Auto, MB

AR = use ase required - = Non illustrated part

**Steering Wheel and Related
Figure 19-110**



ITEM	PART NUMBER	QTY	LINE	SERIES	BODY	ENGINE	TRANS	TRIM	DESCRIPTION
9	05103604AA	1	3, 7	L	12, 15, 16	EX8	DGJ		SCREW
		1	2, 6	L	01, 02, 06	EX8	DGJ		
		1	2, 6	L	11, 12, 14, 15, 16	EX8	DGJ		
		1	2, 6	L	51, 52, 54, 55, 56	EX8	DGJ		
		1	3, 7	L	02, 06	EX8	DGJ		
10	05103664AA	1	2, 6	L	01, 02, 06	EX8	DGJ		SWITCH, Ignition
		1	2, 6	L	11, 12, 14, 15, 16	EX8	DGJ		
		1	2, 6	L	51, 52, 54, 55, 56	EX8	DGJ		
		1	3, 7	L	02, 06	EX8	DGJ		
		1	3, 7	L	12, 15, 16	EX8	DGJ		
11	05103904AA	1	2, 6	L	01, 02, 06	EX8	DGJ		CONNECTOR
		1	2, 6	L	11, 12, 14, 15, 16	EX8	DGJ		
		1	2, 6	L	51, 52, 54, 55, 56	EX8	DGJ		
		1	3, 7	L	02, 06	EX8	DGJ		
		1	3, 7	L	12, 15, 16	EX8	DGJ		
12	05103902AA	1	2, 6	L	01, 02, 06	EX8	DGJ		CONNECTOR
		1	2, 6	L	11, 12, 14, 15, 16	EX8	DGJ		
		1	2, 6	L	51, 52, 54, 55, 56	EX8	DGJ		
		1	3, 7	L	12, 15, 16	EX8	DGJ		
		1	3, 7	L	02, 06	EX8	DGJ		

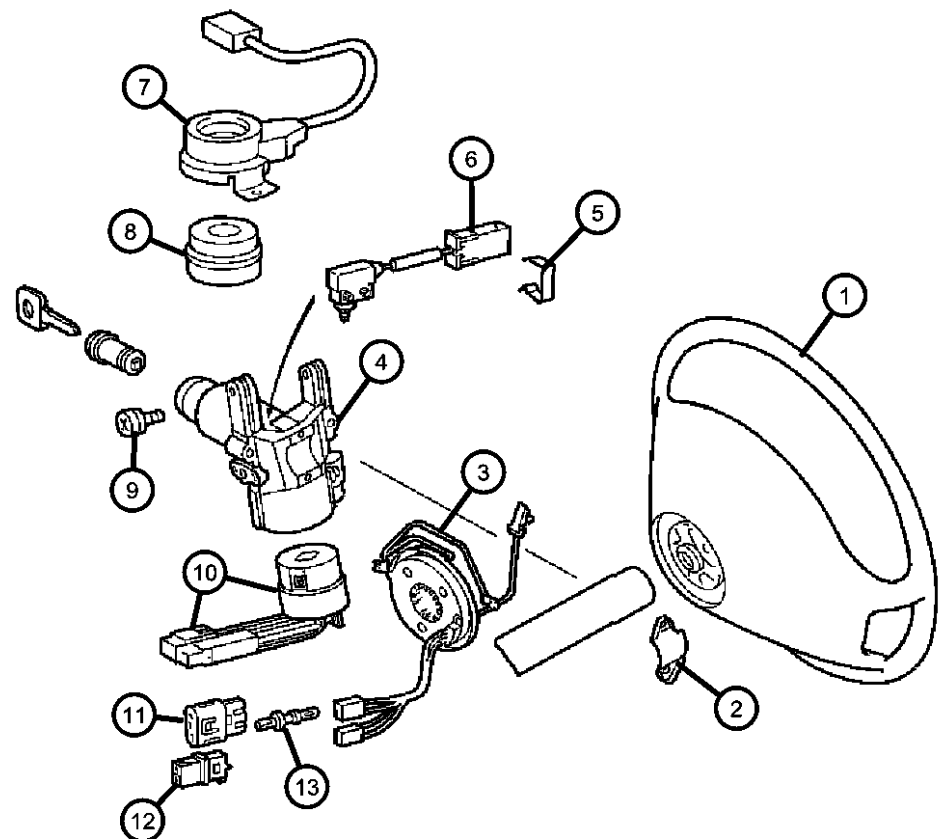
SPRINTER (VA)

SERIES	LINE	BODY	ENGINE	TRANSMISSION
L = LOWLINE	3 = HD DODGE 2WD 8 = HD DODGE 4WD 6 = Lt. Duty DODGE 4WD 2 = Med. Duty DODGE 2WD 7 = Med. Duty DODGE 4WD 4 = TRUCK	12 = Van 140" 51 = Wagon 118" 52 = Wagon 140" 14 = Van 118" 15 = Van 140" 16 = Van 158" 54 = Wagon 118" 55 = Wagon 140" 56 = Wagon 158" 01 = Chassis Forward Control 118" 02 = Chassis Forward Control 140" 06 = Front Section 158" 11 = Van 118"	EX8 = Engine - 2.7L I5 Mercedes-Benz TD	DGJ = Transmission - 5-Spd Auto, MB

AR = use ase required - = Non illustrated part

**Steering Wheel and Related
Figure 19-110**

ITEM	PART NUMBER	QTY	LINE	SERIES	BODY	ENGINE	TRANS	TRIM	DESCRIPTION
13	05103828AA	1	2, 6	L	01, 02, 06	EX8	DGJ		TERMINAL
		1	2, 6	L	11, 12, 14, 15, 16	EX8	DGJ		
		1	2, 6	L	51, 52, 54, 55, 56	EX8	DGJ		
		1	3, 7	L	02, 06	EX8	DGJ		
		1	3, 7	L	12, 15, 16	EX8	DGJ		
-14	05119542AA	1	2, 6	L	01, 02, 06	EX8	DGJ		CONTACT, Horn
		1	2, 6	L	11, 12, 14, 15, 16	EX8	DGJ		
		1	2, 6	L	51, 52, 54, 55, 56	EX8	DGJ		
		1	3, 7	L	02, 06	EX8	DGJ		
		1	3, 7	L	12, 15, 16	EX8	DGJ		

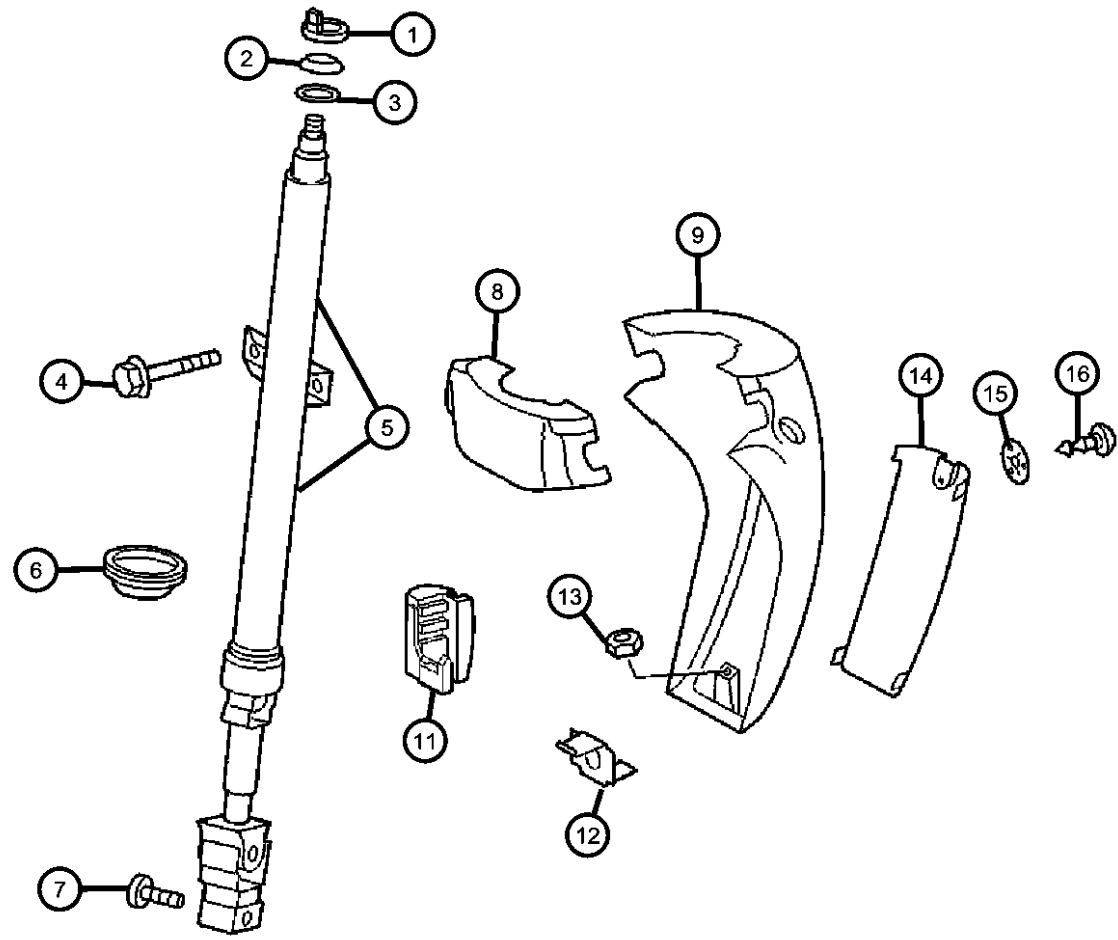


SPRINTER (VA)

SERIES	LINE	BODY	ENGINE	TRANSMISSION
L = LOWLINE	3 = HD DODGE 2WD 8 = HD DODGE 4WD 6 = Lt. Duty DODGE 4WD 2 = Med. Duty DODGE 2WD 7 = Med. Duty DODGE 4WD 4 = TRUCK	12 = Van 140" 51 = Wagon 118" 52 = Wagon 140" 14 = Van 118" 15 = Van 140" 16 = Van 158" 54 = Wagon 118" 55 = Wagon 140" 56 = Wagon 158" 01 = Chassis Forward Control 118" 02 = Chassis Forward Control 140" 06 = Front Section 158" 11 = Van 118"	EX8 = Engine - 2.7L I5 Mercedes-Benz TD	DGJ = Transmission - 5-Spd Auto, MB

AR = use ase required - = Non illustrated part

**Column Steering and Related
Figure 19-210**

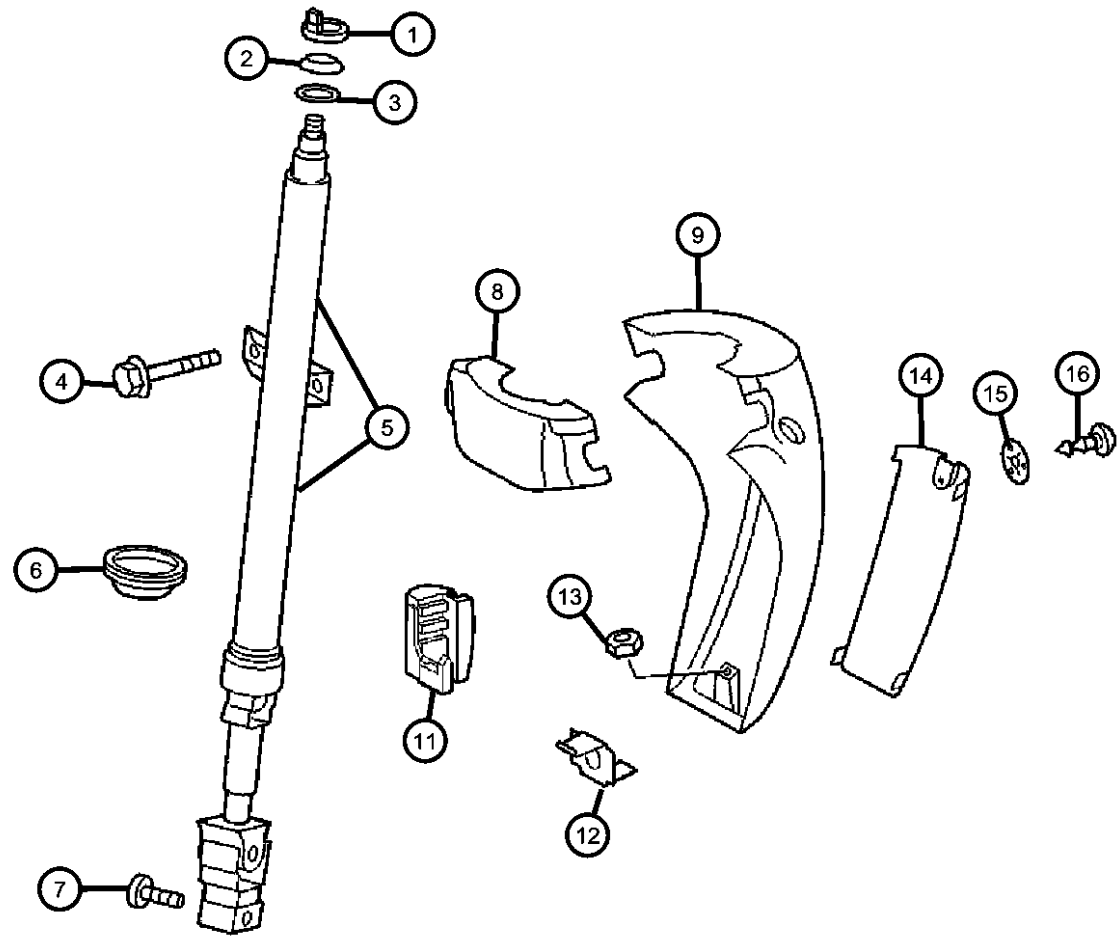


ITEM	PART NUMBER	QTY	LINE	SERIES	BODY	ENGINE	TRANS	TRIM	DESCRIPTION
Note; Sales Codes; [WCL] = 15 Inch Steel Wheels [WDG] = 16 Inch Steel Wheels									
1									RING
	05103651AA	1	2, 6	L	51, 52, 54, 55, 56	EX8	DGJ		
		1	2, 6	L	01, 02, 06	EX8	DGJ		
		1	2, 6	L	11, 12, 14, 15, 16	EX8	DGJ		
		1	3, 7	L	02, 06	EX8	DGJ		
		1	3, 7	L	12, 15, 16	EX8	DGJ		
2									SPACER
	05127709AA	1	2, 6	L	01, 02, 06	EX8	DGJ		
		1	2, 6	L	11, 12, 14, 15, 16	EX8	DGJ		
		1	2, 6	L	51, 52, 54, 55, 56	EX8	DGJ		
		1	3, 7	L	02, 06	EX8	DGJ		
		1	3, 7	L	12, 15, 16	EX8	DGJ		
3									WASHER, Thrust
	05127708AA	1	2, 6	L	01, 02, 06	EX8	DGJ		
		1	3, 7	L	12, 15, 16	EX8	DGJ		
		1	2, 6	L	11, 12, 14, 15, 16	EX8	DGJ		
		1	2, 6	L	51, 52, 54, 55, 56	EX8	DGJ		
		1	3, 7	L	02, 06	EX8	DGJ		
4									BOLT, Hex Head
	05126227AA	2	2, 6	L	01, 02, 06	EX8	DGJ		
		2	2, 6	L	51, 52, 54, 55, 56	EX8	DGJ		
		2	2, 6	L	11, 12, 14, 15, 16	EX8	DGJ		
		2	3, 7	L	02, 06	EX8	DGJ		

SPRINTER (VA)				
SERIES	LINE	BODY	ENGINE	TRANSMISSION
L = LOWLINE	3 = HD DODGE 2WD 8 = HD DODGE 4WD 6 = Lt. Duty DODGE 4WD 2 = Med. Duty DODGE 2WD 7 = Med. Duty DODGE 4WD 4 = TRUCK	12 = Van 140" 51 = Wagon 118" 52 = Wagon 140" 14 = Van 118" 15 = Van 140" 16 = Van 158" 54 = Wagon 118" 55 = Wagon 140" 56 = Wagon 158" 01 = Chassis Forward Control 118" 02 = Chassis Forward Control 140" 06 = Front Section 158" 11 = Van 118"	EX8 = Engine - 2.7L I5 Mercedes-Benz TD	DGJ = Transmission - 5-Spd Auto, MB

AR = use ase required - = Non illustrated part

**Column Steering and Related
Figure 19-210**



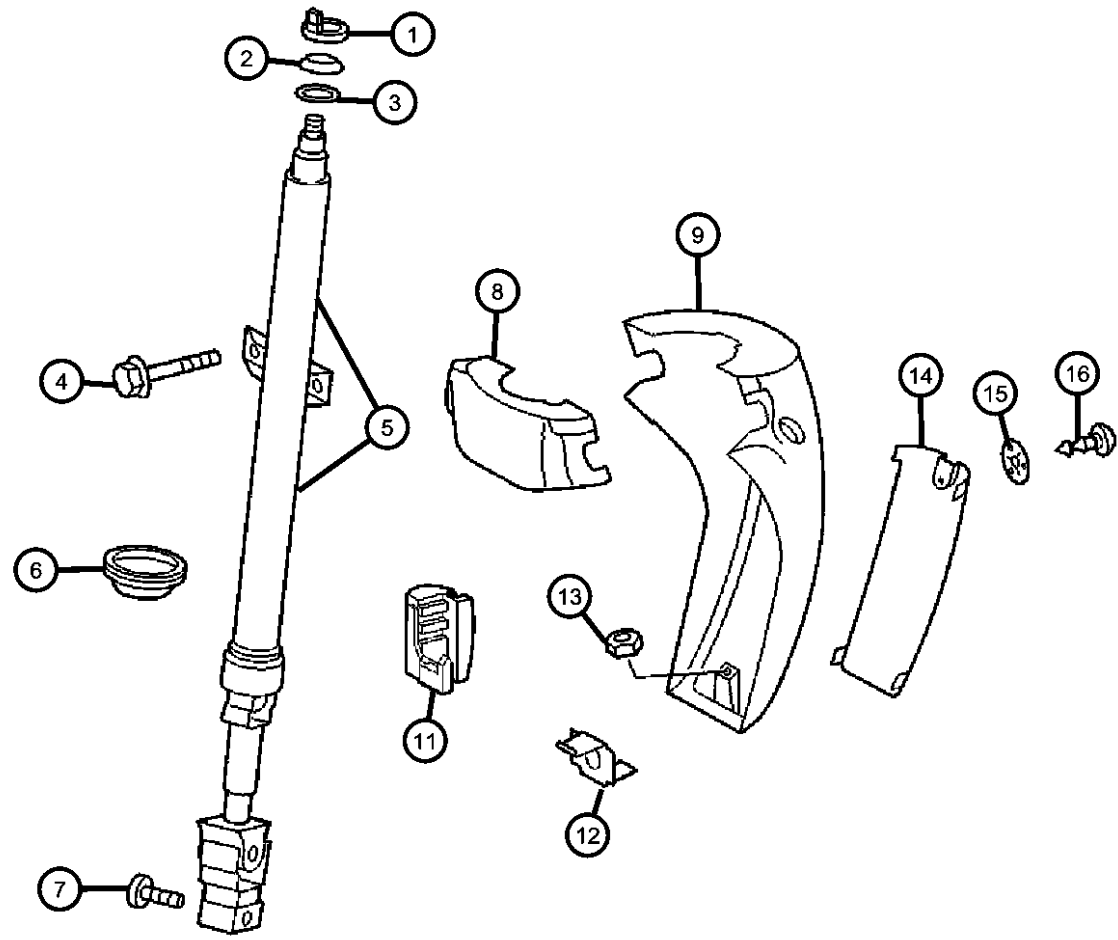
ITEM	PART NUMBER	QTY	LINE	SERIES	BODY	ENGINE	TRANS	TRIM	DESCRIPTION
5		2	3, 7	L	12, 15, 16	EX8	DGJ		COLUMN, Steering
	05129396AA	1	2, 6	L	01, 02, 06	EX8	DGJ		With [BNB] 15 WHEELS
		1	2, 6	L	11, 12, 14, 15, 16	EX8	DGJ		With [BNB] 15 WHEELS
		1	6, 2	L	51, 52, 54, 55, 56	EX8	DGJ		With [BNB] 15 WHEELS
	05129404AA	1	2, 6	L	01, 02, 06	EX8	DGJ		With [WDG&BNB] 16 WHEELS
		1	2, 6	L	11, 12, 14, 15, 16	EX8	DGJ		With [WDG&BNB] 16 WHEELS
		1	2, 6	L	51, 52, 54, 55, 56	EX8	DGJ		With [WDG&BNB] 16 WHEELS
6									SEAL, Steering Gear
	05119536AA	1	2, 6	L	01, 02, 06	EX8	DGJ		
		1	2, 6	L	11, 12, 14, 15, 16	EX8	DGJ		
		1	2, 6	L	51, 52, 54, 55, 56	EX8	DGJ		
		1	3, 7	L	02, 06	EX8	DGJ		
		1	3, 7	L	12, 15, 16	EX8	DGJ		
7									SCREW, Steering Column
	05125707AA	1	2, 6	L	01, 02, 06	EX8	DGJ		
		1	2, 6	L	11, 12, 14, 15, 16	EX8	DGJ		
		1	2, 6	L	51, 52, 54, 55, 56	EX8	DGJ		
		1	3, 7	L	02, 06	EX8	DGJ		
		1	3, 7	L	12, 15, 16	EX8	DGJ		
8									SHROUD, Steering Column, Upper
	05119534AA	1	2, 6	L	01, 02, 06	EX8	DGJ		
		1	2, 6	L	11, 12, 14, 15, 16	EX8	DGJ		
		1	3, 7	L	02, 06	EX8	DGJ		

SPRINTER (VA)

SERIES	LINE	BODY	ENGINE	TRANSMISSION
L = LOWLINE	3 = HD DODGE 2WD 8 = HD DODGE 4WD 6 = Lt. Duty DODGE 4WD 2 = Med. Duty DODGE 2WD 7 = Med. Duty DODGE 4WD 4 = TRUCK	12 = Van 140" 51 = Wagon 118" 52 = Wagon 140" 14 = Van 118" 15 = Van 140" 16 = Van 158" 54 = Wagon 118" 55 = Wagon 140" 56 = Wagon 158" 01 = Chassis Forward Control 118" 02 = Chassis Forward Control 140" 06 = Front Section 158" 11 = Van 118"	EX8 = Engine - 2.7L I5 Mercedes-Benz TD	DGJ = Transmission - 5-Spd Auto, MB

AR = use ase required - = Non illustrated part

Column Steering and Related
Figure 19-210



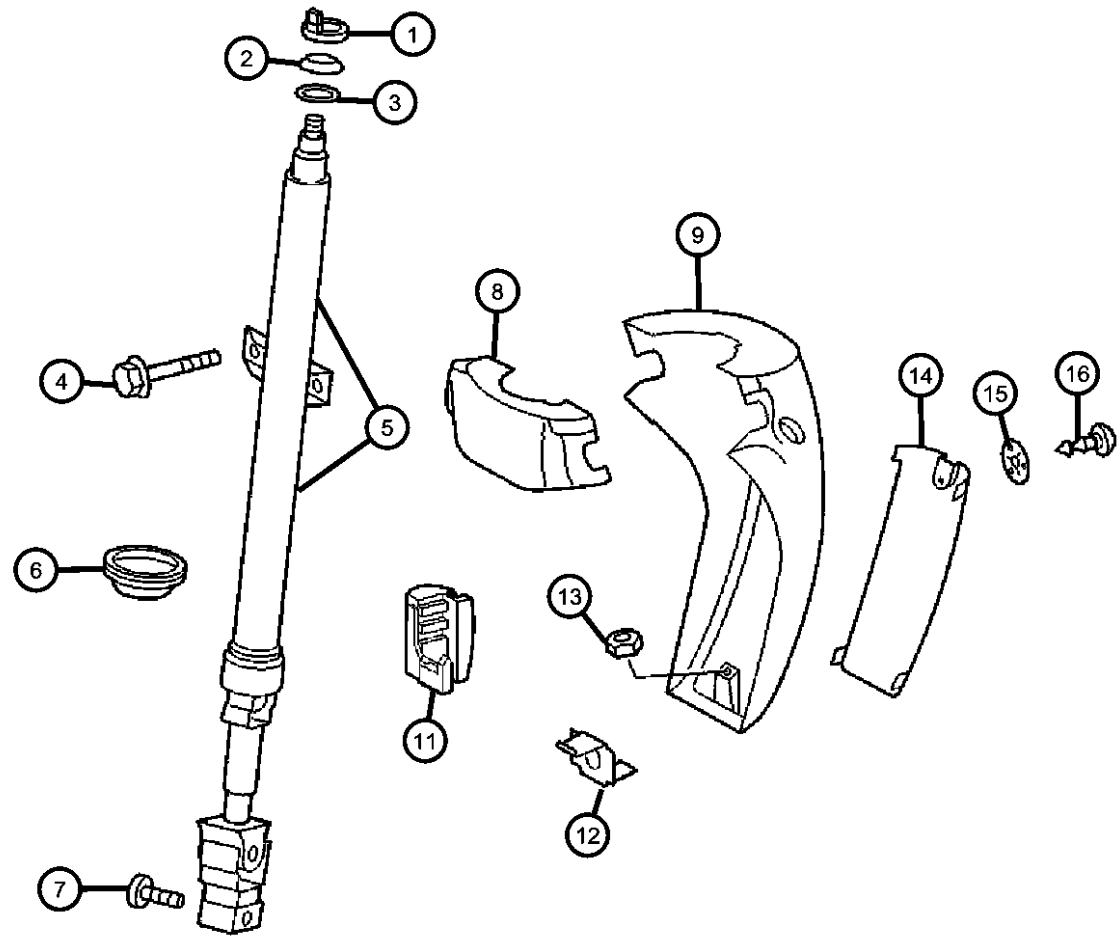
ITEM	PART NUMBER	QTY	LINE	SERIES	BODY	ENGINE	TRANS	TRIM	DESCRIPTION
		1	3, 7	L	12, 15, 16	EX8	DGJ		
		1	2, 6	L	51, 52, 54, 55, 56	EX8	DGJ		
9	05119524AA	1	2, 6	L	01, 02, 06	EX8	DGJ		SHROUD, Steering Column, Lower
		1	2, 6	L	11, 12, 14, 15, 16	EX8	DGJ		
		1	2, 6	L	51, 52, 54, 55, 56	EX8	DGJ		
		1	3, 7	L	02, 06	EX8	DGJ		
		1	3, 7	L	12, 15, 16	EX8	DGJ		
-10	05126274AA	2	2, 6	L	01, 02, 06	EX8	DGJ		SCREW, Steering Column
		2	2, 6	L	11, 12, 14, 15, 16	EX8	DGJ		
		2	2, 6	L	51, 52, 54, 55, 56	EX8	DGJ		
		2	3, 7	L	02, 06	EX8	DGJ		
		2	3, 7	L	12, 15, 16	EX8	DGJ		
11	05122935AA	1	2, 6	L	01, 02, 06	EX8	DGJ		GROMMET, Steering Column Cover
		1	2, 6	L	11, 12, 14, 15, 16	EX8	DGJ		
		1	2, 6	L	51, 52, 54, 55, 56	EX8	DGJ		
		1	3, 7	L	02, 06	EX8	DGJ		
		1	3, 7	L	12, 15, 16	EX8	DGJ		
12	05125568AA	1	2, 6	L	01, 02, 06	EX8	DGJ		CLIP, Steering Column
		1	2, 6	L	11, 12, 14, 15, 16	EX8	DGJ		

SPRINTER (VA)

SERIES	LINE	BODY	ENGINE	TRANSMISSION
L = LOWLINE	3 = HD DODGE 2WD 8 = HD DODGE 4WD 6 = Lt. Duty DODGE 4WD 2 = Med. Duty DODGE 2WD 7 = Med. Duty DODGE 4WD 4 = TRUCK	12 = Van 140" 51 = Wagon 118" 52 = Wagon 140" 14 = Van 118" 15 = Van 140" 16 = Van 158" 54 = Wagon 118" 55 = Wagon 140" 56 = Wagon 158" 01 = Chassis Forward Control 118" 02 = Chassis Forward Control 140" 06 = Front Section 158" 11 = Van 118"	EX8 = Engine - 2.7L I5 Mercedes-Benz TD	DGJ = Transmission - 5-Spd Auto, MB

AR = use ase required - = Non illustrated part

**Column Steering and Related
Figure 19-210**



ITEM	PART NUMBER	QTY	LINE	SERIES	BODY	ENGINE	TRANS	TRIM	DESCRIPTION
		1	2, 6	L	51, 52, 54, 55, 56	EX8	DGJ		
		1	3, 7	L	02, 06	EX8	DGJ		
		1	3, 7	L	12, 15, 16	EX8	DGJ		
13	05127449AA	1	2, 3, 6, 7	L		EX8	DGJ		NUT, M6x1.00
14	05119525AA	1	2, 6	L	01, 02, 06	EX8	DGJ		COVER, Steering Column Opening
		1	2, 6	L	11, 12, 14, 15, 16	EX8	DGJ		
		1	2, 6	L	51, 52, 54, 55, 56	EX8	DGJ		
		1	3, 7	L	02, 06	EX8	DGJ		
		1	3, 7	L	12, 15, 16	EX8	DGJ		
15	05125751AA	1	3, 7	L	12, 15, 16	EX8	DGJ		WASHER, Steering Column
		1	2, 6	L	01, 02, 06	EX8	DGJ		
		1	2, 6	L	11, 12, 14, 15, 16	EX8	DGJ		
		1	2, 6	L	51, 52, 54, 55, 56	EX8	DGJ		
		1	3, 7	L	02, 06	EX8	DGJ		
16	05125557AA	1	2, 6	L	01, 02, 06	EX8	DGJ		SCREW, Steering Column
		1	2, 6	L	11, 12, 14, 15, 16	EX8	DGJ		
		1	2, 6	L	51, 52, 54, 55, 56	EX8	DGJ		
		1	3, 7	L	02, 06	EX8	DGJ		
		1	3, 7	L	12, 15, 16	EX8	DGJ		

SPRINTER (VA)

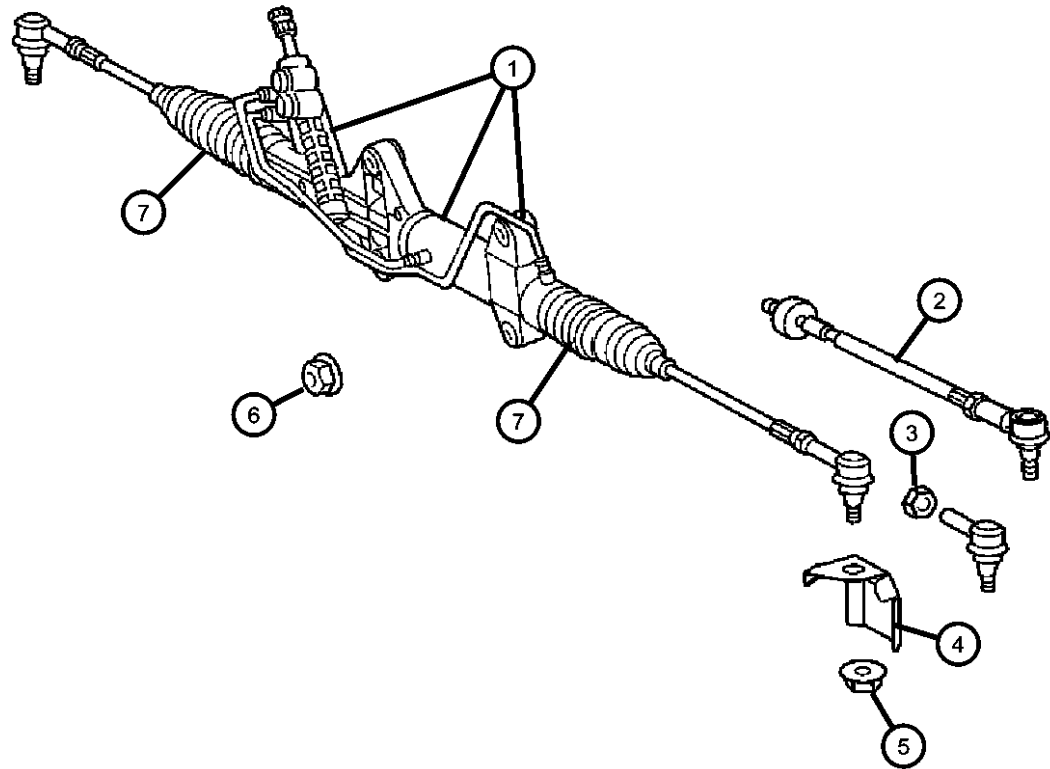
SERIES	LINE	BODY	ENGINE	TRANSMISSION
L = LOWLINE	3 = HD DODGE 2WD 8 = HD DODGE 4WD 6 = Lt. Duty DODGE 4WD 2 = Med. Duty DODGE 2WD 7 = Med. Duty DODGE 4WD 4 = TRUCK	12 = Van 140" 51 = Wagon 118" 52 = Wagon 140" 14 = Van 118" 15 = Van 140" 16 = Van 158" 54 = Wagon 118" 55 = Wagon 140" 56 = Wagon 158" 01 = Chassis Forward Control 118" 02 = Chassis Forward Control 140" 06 = Front Section 158" 11 = Van 118"	EX8 = Engine - 2.7L I5 Mercedes-Benz TD	DGJ = Transmission - 5-Spd Auto, MB

AR = use ase required - = Non illustrated part

Gear - Steering
Figure 19-310

ITEM	PART NUMBER	QTY	LINE	SERIES	BODY	ENGINE	TRANS	TRIM	DESCRIPTION
------	-------------	-----	------	--------	------	--------	-------	------	-------------

Note; Sales Codes;
[WCL] = 15 inch Steel Wheels
[WDG] = 16 Inch Steel Wheels



1									GEAR, Power Steering
	05104094AA	1	2, 6	L	01, 02, 06	EX8	DGJ		15 WHEELS
		1	2, 6	L	11, 12, 14, 15, 16	EX8	DGJ		15 WHEELS
		1	2, 6	L	51, 52, 54, 55, 56	EX8	DGJ		15 WHEELS
	05104585AA	1	2, 6	L	01, 02, 06	EX8	DGJ		16 WHEELS
		1	2, 6	L	11, 12, 14, 15, 16	EX8	DGJ		16 WHEELS
		1	2, 6	L	51, 52, 54, 55, 56	EX8	DGJ		16 WHEELS
		1	3, 7	L	02, 06	EX8	DGJ		16 WHEELS
		1	3, 7	L	12, 15, 16	EX8	DGJ		16 WHEELS
2									END, Tie Rod
	05104091AA	2	2, 6	L	01, 02, 06	EX8	DGJ		
		2	2, 6	L	11, 12, 14, 15, 16	EX8	DGJ		
		2	2, 6	L	51, 52, 54, 55, 56	EX8	DGJ		
		2	3, 7	L	02, 06	EX8	DGJ		
		2	3, 7	L	12, 15, 16	EX8	DGJ		
3									JAM NUT, Outer Tie Rod
	05133906AA	2	2, 6	L	01, 02, 06	EX8	DGJ		
		2	2, 6	L	11, 12, 14, 15, 16	EX8	DGJ		
		2	2, 6	L	51, 52, 54, 55, 56	EX8	DGJ		
		2	3, 7	L	02, 06	EX8	DGJ		
		2	3, 7	L	12, 15, 16	EX8	DGJ		
4									PLATE, Backing
	05119249AA	2	2, 6	L	01, 02, 06	EX8	DGJ		

SPRINTER (VA)

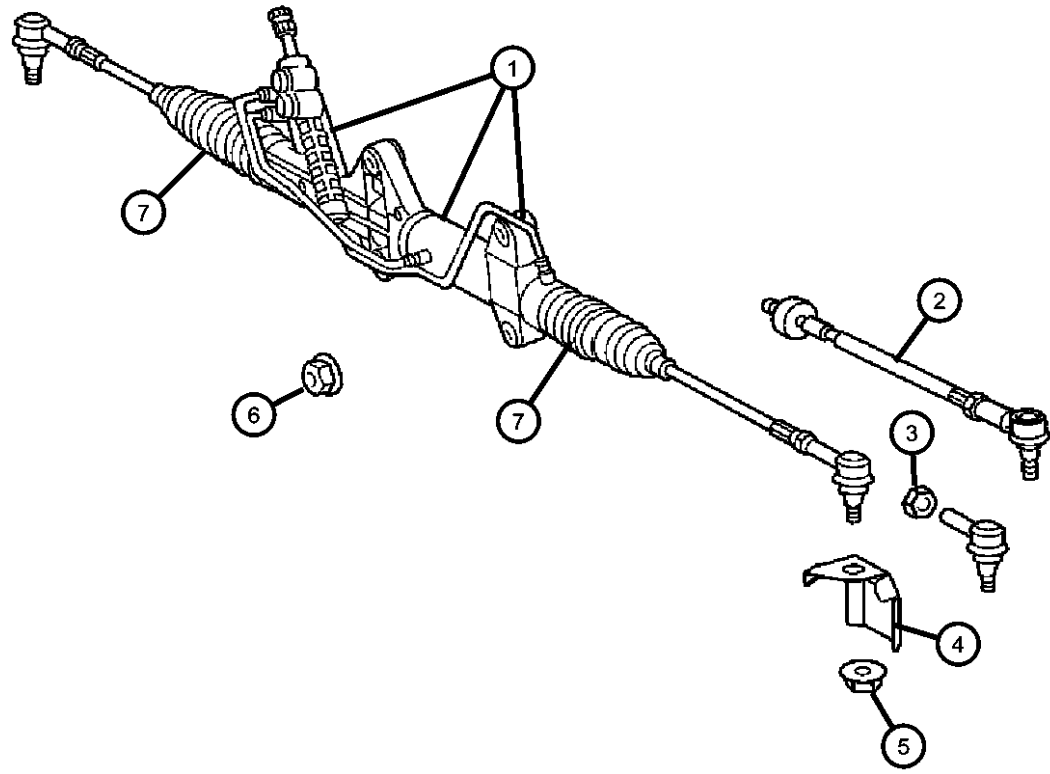
SERIES	LINE	BODY	ENGINE	TRANSMISSION
L = LOWLINE	3 = HD DODGE 2WD	12 = Van 140"	EX8 = Engine - 2.7L I5	DGJ = Transmission - 5-Spd Auto, MB
	8 = HD DODGE 4WD	51 = Wagon 118"	Mercedes-Benz TD	
	6 = Lt. Duty DODGE 4WD	52 = Wagon 140"		
	2 = Med. Duty DODGE 2WD	14 = Van 118"		
	7 = Med. Duty DODGE 4WD	15 = Van 140"		
	4 = TRUCK	16 = Van 158"		
		54 = Wagon 118"		
		55 = Wagon 140"		
		56 = Wagon 158"		
		01 = Chassis Forward Control 118"		
		02 = Chassis Forward Control 140"		
		06 = Front Section 158"		
		11 = Van 118"		

AR = use ase required - = Non illustrated part

2005 VA

Gear - Steering
Figure 19-310

ITEM	PART NUMBER	QTY	LINE	SERIES	BODY	ENGINE	TRANS	TRIM	DESCRIPTION
		2	2, 6	L	11, 12, 14, 15, 16	EX8	DGJ		
		2	2, 6	L	51, 52, 54, 55, 56	EX8	DGJ		
5	05125761AA	2	2, 6	L	01, 02, 06	EX8	DGJ		NUT
		2	2, 6	L	11, 12, 14, 15, 16	EX8	DGJ		
		2	2, 6	L	51, 52, 54, 55, 56	EX8	DGJ		
6	06104717AA	4	2, 6	L	01, 02, 06	EX8	DGJ		NUT
		4	2, 6	L	11, 12, 14, 15, 16	EX8	DGJ		
		4	2, 6	L	51, 52, 54, 55, 56	EX8	DGJ		
		4	3, 7	L	02, 06	EX8	DGJ		
		4	3, 7	L	12, 15, 16	EX8	DGJ		
7	05133904AA	2	2, 6	L	01, 02, 06	EX8	DGJ		BOOT, Steering Gear
		2	2, 6	L	11, 12, 14, 15, 16	EX8	DGJ		
		2	2, 6	L	51, 52, 54, 55, 56	EX8	DGJ		



SPRINTER (VA)				
SERIES	LINE	BODY	ENGINE	TRANSMISSION
L = LOWLINE	3 = HD DODGE 2WD 8 = HD DODGE 4WD 6 = Lt. Duty DODGE 4WD 2 = Med. Duty DODGE 2WD 7 = Med. Duty DODGE 4WD 4 = TRUCK	12 = Van 140" 51 = Wagon 118" 52 = Wagon 140" 14 = Van 118" 15 = Van 140" 16 = Van 158" 54 = Wagon 118" 55 = Wagon 140" 56 = Wagon 158" 01 = Chassis Forward Control 118" 02 = Chassis Forward Control 140" 06 = Front Section 158" 11 = Van 118"	EX8 = Engine - 2.7L I5 Mercedes-Benz TD	DGJ = Transmission - 5-Spd Auto, MB

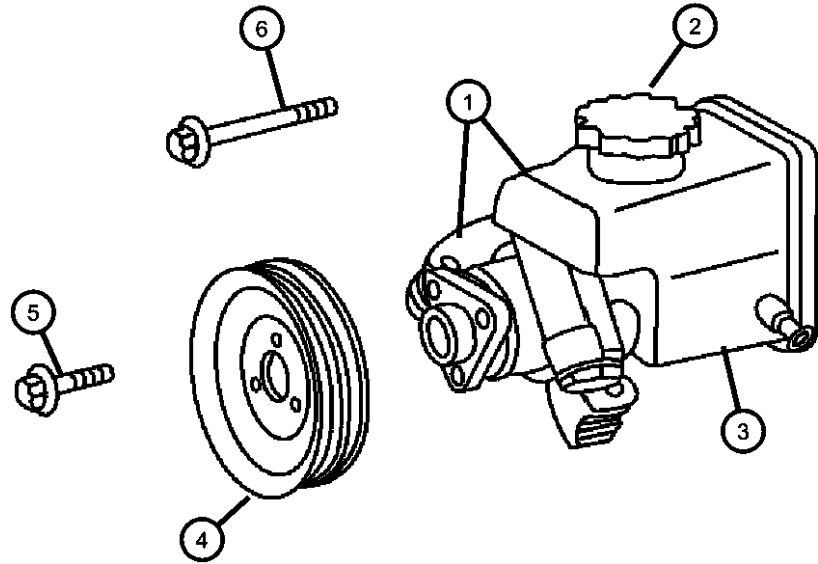
AR = use ase required - = Non illustrated part

Pump and Pulley, Steering
Figure 19-510

ITEM	PART NUMBER	QTY	LINE	SERIES	BODY	ENGINE	TRANS	TRIM	DESCRIPTION
------	-------------	-----	------	--------	------	--------	-------	------	-------------

Note; Sales Codes;
[EX8] = 2.7L I5 MERCEDES-BENZ

1	05103795AA 05013457AA	1	2, 3, 6, 7	L		EX8	DGJ		PUMP, Power Steering Mopar Power Steering Fluid Quart
2	05139279AA	1							CAP, Power Steering Reservoir
3	05139279AA	1							RESERVOIR, Power Steering Pump, Service with power steering pump, (NOT SERVICED)
4	05103990AA 05117692AA	1	2, 3, 6, 7	L		EX8	DGJ		PULLEY, Power Steering Pump
		1	3, 7	L	02, 06	EX8	DGJ		
		1	3, 7	L	12, 15, 16	EX8	DGJ		
5	06507218AA	3	3, 7	L	02, 06	EX8	DGJ		SCREW Pulley Mounting
		3	3, 7	L	12, 15, 16	EX8	DGJ		Pulley Mounting
		3	2, 3, 6, 7	L		EX8	DGJ		Pulley Mounting
6	05133207AA	3	3, 7	L	02, 06	EX8	DGJ		BOLT, Hex Head Pump Mounting
		3	3, 7	L	12, 15, 16	EX8	DGJ		Pump Mounting
		3	2, 3, 6, 7	L		EX8	DGJ		Pump Mounting



SPRINTER (VA)

SERIES	LINE	BODY	ENGINE	TRANSMISSION
L = LOWLINE	3 = HD DODGE 2WD 8 = HD DODGE 4WD 6 = Lt. Duty DODGE 4WD 2 = Med. Duty DODGE 2WD 7 = Med. Duty DODGE 4WD 4 = TRUCK	12 = Van 140" 51 = Wagon 118" 52 = Wagon 140" 14 = Van 118" 15 = Van 140" 16 = Van 158" 54 = Wagon 118" 55 = Wagon 140" 56 = Wagon 158" 01 = Chassis Forward Control 118" 02 = Chassis Forward Control 140" 06 = Front Section 158" 11 = Van 118"	EX8 = Engine - 2.7L I5 Mercedes-Benz TD	DGJ = Transmission - 5-Spd Auto, MB

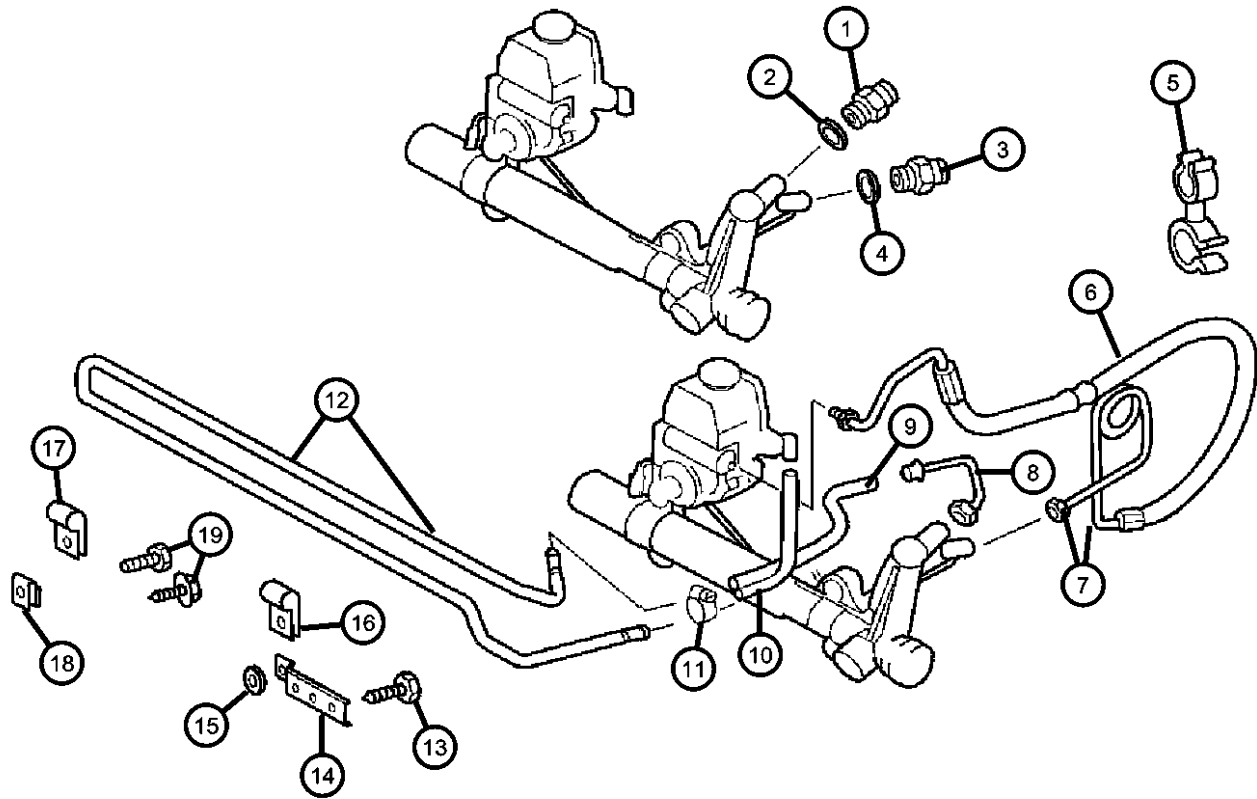
AR = use ase required - = Non illustrated part

2005 VA

Hoses Steering and Related
Figure 19-710

ITEM	PART NUMBER	QTY	LINE	SERIES	BODY	ENGINE	TRANS	TRIM	DESCRIPTION
------	-------------	-----	------	--------	------	--------	-------	------	-------------

Note; Sales Codes:
[EX8] = 2.7L I5 MERCEDES-BENZ
[WDG]=16" Inch Steel Wheels



1									FITTING, Power Steering Pump
	05104540AA	1	2, 6	L	51, 52, 54, 55, 56	EX8	DGJ		
		1	7, 3	L	02, 06	EX8	DGJ		
		1	3, 7	L	12, 15, 16	EX8	DGJ		
		1	2, 6	L	01, 02, 06	EX8	DGJ		
		1	2, 6	L	11, 12, 14, 15, 16	EX8	DGJ		
2									SEAL
	05104626AA	1	2, 6	L	01, 02, 06	EX8	DGJ		
		1	2, 6	L	11, 12, 14, 15, 16	EX8	DGJ		
		1	2, 6	L	51, 52, 54, 55, 56	EX8	DGJ		
		1	3, 7	L	02, 06	EX8	DGJ		
		1	3, 7	L	12, 15, 16	EX8	DGJ		
3									FITTING, Power Steering Pump
	05104025AA	1	3, 7	L	02, 06	EX8	DGJ		
		1	2, 6	L	01, 02, 06	EX8	DGJ		
		1	2, 6	L	11, 12, 14, 15, 16	EX8	DGJ		
		1	2, 6	L	51, 52, 54, 55, 56	EX8	DGJ		
		1	3, 7	L	12, 15, 16	EX8	DGJ		
4									SEAL
	05102646AA	1	2, 6	L	01, 02, 06	EX8	DGJ		
		1	2, 6	L	11, 12, 14, 15, 16	EX8	DGJ		
		1	2, 6	L	51, 52, 54, 55, 56	EX8	DGJ		
		1	3, 7	L	02, 06	EX8	DGJ		

SPRINTER (VA)

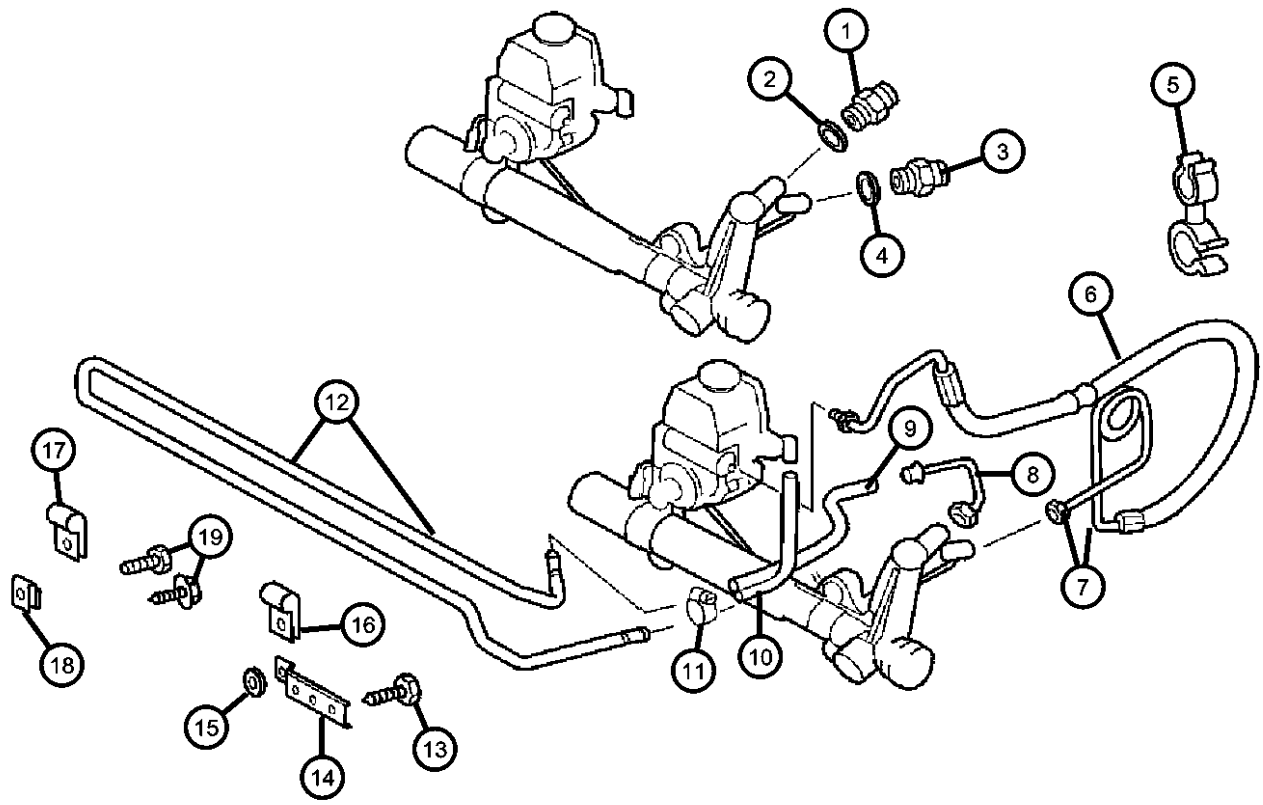
SERIES	LINE	BODY	ENGINE	TRANSMISSION
L = LOWLINE	3 = HD DODGE 2WD 8 = HD DODGE 4WD 6 = Lt. Duty DODGE 4WD 2 = Med. Duty DODGE 2WD 7 = Med. Duty DODGE 4WD 4 = TRUCK	12 = Van 140" 51 = Wagon 118" 52 = Wagon 140" 14 = Van 118" 15 = Van 140" 16 = Van 158" 54 = Wagon 118" 55 = Wagon 140" 56 = Wagon 158" 01 = Chassis Forward Control 118" 02 = Chassis Forward Control 140" 06 = Front Section 158" 11 = Van 118"	EX8 = Engine - 2.7L I5 Mercedes-Benz TD	DGJ = Transmission - 5-Spd Auto, MB

AR = use ase required - = Non illustrated part

2005 VA

Hoses Steering and Related
Figure 19-710

ITEM	PART NUMBER	QTY	LINE	SERIES	BODY	ENGINE	TRANS	TRIM	DESCRIPTION
5		1	3, 7	L	12, 15, 16	EX8	DGJ		CLAMP, Brake Hose
	05125887AA	1	2, 6	L	01, 02, 06	EX8	DGJ		
		1	2, 6	L	11, 12, 14, 15, 16	EX8	DGJ		
		1	2, 6	L	51, 52, 54, 55, 56	EX8	DGJ		
		1	3, 7	L	02, 06	EX8	DGJ		
		1	3, 7	L	12, 15, 16	EX8	DGJ		
6									HOSE, Power Steering Pressure
	05119564AA	1	2, 6	L	01, 02, 06	EX8	DGJ		
		1	2, 6	L	11, 12, 14, 15, 16	EX8	DGJ		
		1	2, 6	L	51, 52, 54, 55, 56	EX8	DGJ		
		1	3, 7	L	02, 06	EX8	DGJ		
		1	3, 7	L	12, 15, 16	EX8	DGJ		
	05127265AA	1	2, 6	L	01, 02, 06	EX8	DGJ		With [WDG]
		1	2, 6	L	11, 12, 14, 15, 16	EX8	DGJ		With [WDG]
		1	2, 6	L	51, 52, 54, 55, 56	EX8	DGJ		With [WDG]
		1	3, 7	L	02, 06	EX8	DGJ		With [WDG]
7									HOSE, Power Steering Return
	05119563AA	1	2, 6	L	01, 02, 06	EX8	DGJ		
		1	2, 6	L	11, 12, 14, 15, 16	EX8	DGJ		
		1	2, 6	L	51, 52, 54, 55, 56	EX8	DGJ		
		1	3, 7	L	02, 06	EX8	DGJ		
		1	3, 7	L	12, 15, 16	EX8	DGJ		
8									LINE, Power Steering Return



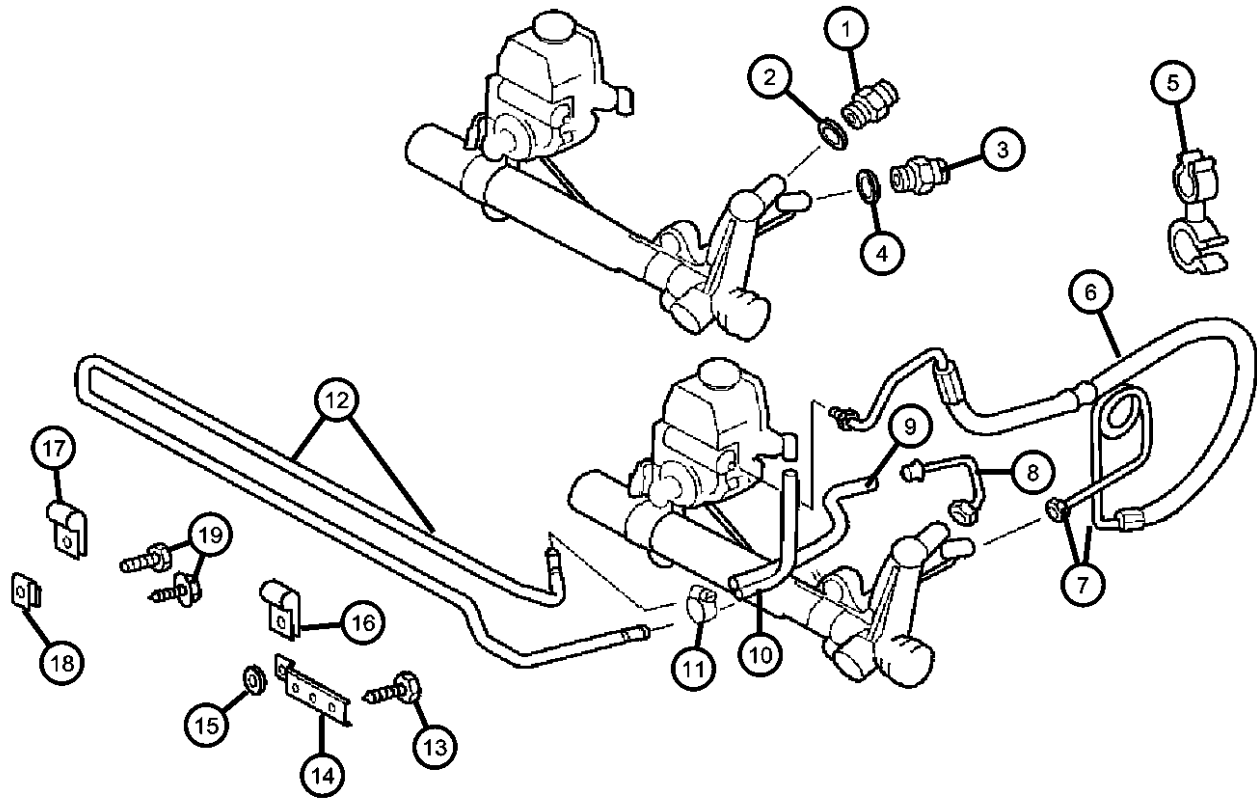
SPRINTER (VA)

SERIES	LINE	BODY	ENGINE	TRANSMISSION
L = LOWLINE	3 = HD DODGE 2WD 8 = HD DODGE 4WD 6 = Lt. Duty DODGE 4WD 2 = Med. Duty DODGE 2WD 7 = Med. Duty DODGE 4WD 4 = TRUCK	12 = Van 140" 51 = Wagon 118" 52 = Wagon 140" 14 = Van 118" 15 = Van 140" 16 = Van 158" 54 = Wagon 118" 55 = Wagon 140" 56 = Wagon 158" 01 = Chassis Forward Control 118" 02 = Chassis Forward Control 140" 06 = Front Section 158" 11 = Van 118"	EX8 = Engine - 2.7L I5 Mercedes-Benz TD	DGJ = Transmission - 5-Spd Auto, MB

AR = use ase required - = Non illustrated part

Hoses Steering and Related
Figure 19-710

ITEM	PART NUMBER	QTY	LINE	SERIES	BODY	ENGINE	TRANS	TRIM	DESCRIPTION
	05104093AA	1	2, 6	L	01, 02, 06	EX8	DGJ		
		1	2, 6	L	11, 12, 14, 15, 16	EX8	DGJ		
		1	2, 6	L	51, 52, 54, 55, 56	EX8	DGJ		
		1	3, 7	L	02, 06	EX8	DGJ		
		1	3, 7	L	12, 15, 16	EX8	DGJ		
9									HOSE
	05133784AA	100	2, 6	L	01, 02, 06	EX8	DGJ		5 Meters Long
		100	2, 6	L	11, 12, 14, 15, 16	EX8	DGJ		5 Meters Long
		100	2, 6	L	51, 52, 54, 55, 56	EX8	DGJ		5 Meters Long
		100	3, 7	L	02, 06	EX8	DGJ		5 Meters Long
		100	3, 7	L	12, 15, 16	EX8	DGJ		5 Meters Long
10									HOSE, Power Steering Return
	05119563AA	1	2, 6	L	01, 02, 06	EX8	DGJ		
		1	2, 6	L	11, 12, 14, 15, 16	EX8	DGJ		
		1	2, 6	L	51, 52, 54, 55, 56	EX8	DGJ		
		1	3, 7	L	02, 06	EX8	DGJ		
		1	3, 7	L	12, 15, 16	EX8	DGJ		
11									CLAMP, Brake Hose
	05096431AA	2	2, 6	L	01, 02, 06	EX8	DGJ		
		2	2, 6	L	11, 12, 14, 15, 16	EX8	DGJ		
		2	2, 6	L	51, 52, 54, 55, 56	EX8	DGJ		
		2	3, 7	L	02, 06	EX8	DGJ		
		2	3, 7	L	12, 15, 16	EX8	DGJ		
12									TUBE



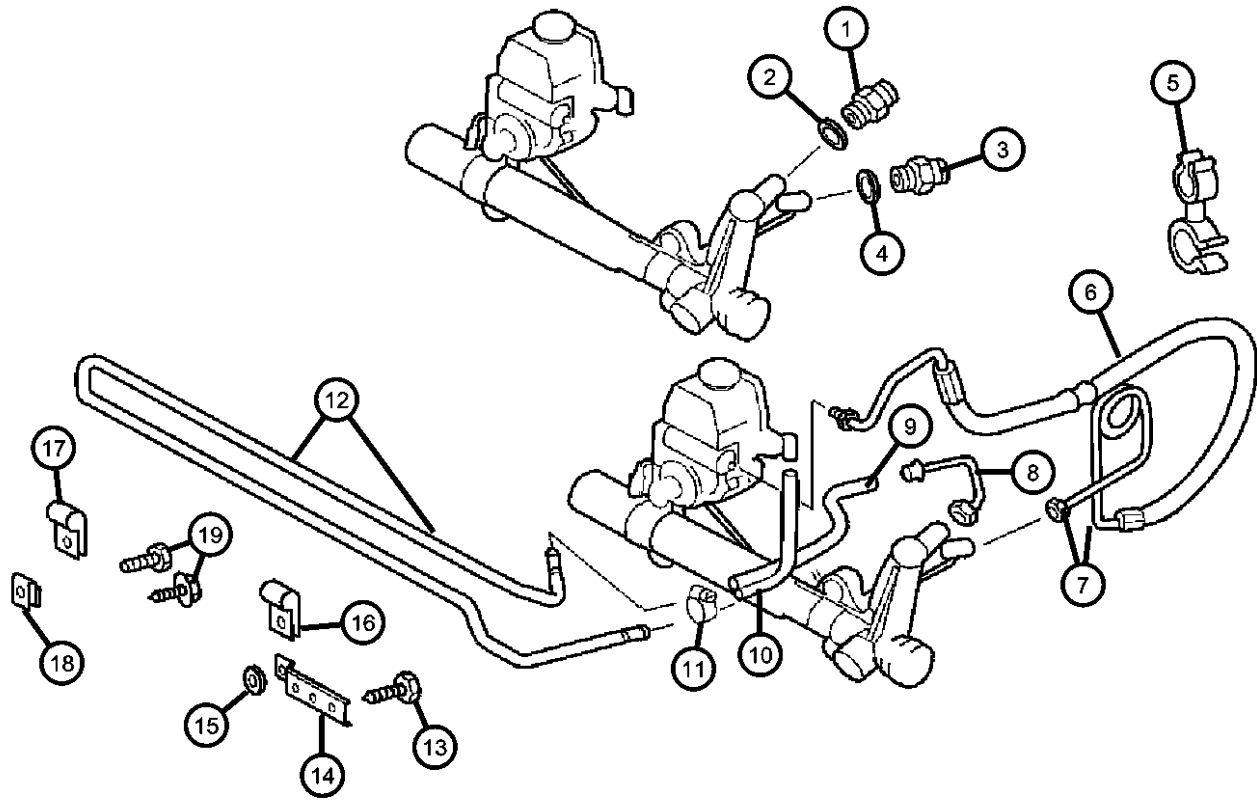
SPRINTER (VA)

SERIES	LINE	BODY	ENGINE	TRANSMISSION
L = LOWLINE	3 = HD DODGE 2WD 8 = HD DODGE 4WD 6 = Lt. Duty DODGE 4WD 2 = Med. Duty DODGE 2WD 7 = Med. Duty DODGE 4WD 4 = TRUCK	12 = Van 140" 51 = Wagon 118" 52 = Wagon 140" 14 = Van 118" 15 = Van 140" 16 = Van 158" 54 = Wagon 118" 55 = Wagon 140" 56 = Wagon 158" 01 = Chassis Forward Control 118" 02 = Chassis Forward Control 140" 06 = Front Section 158" 11 = Van 118"	EX8 = Engine - 2.7L I5 Mercedes-Benz TD	DGJ = Transmission - 5-Spd Auto, MB

AR = use ase required - = Non illustrated part

Hoses Steering and Related
Figure 19-710

ITEM	PART NUMBER	QTY	LINE	SERIES	BODY	ENGINE	TRANS	TRIM	DESCRIPTION
	05104098AA	1	2, 6	L	01, 02, 06	EX8	DGJ		
		1	2, 6	L	11, 12, 14, 15, 16	EX8	DGJ		
		1	3, 7	L	02, 06	EX8	DGJ		
		1	3, 7	L	12, 15, 16	EX8	DGJ		
		1	2, 6	L	51, 52, 54, 55, 56	EX8	DGJ		
13									SCREW, Tapping
	06104574AA	3	2, 6	L	01, 02, 06	EX8	DGJ		
		3	2, 6	L	11, 12, 14, 15, 16	EX8	DGJ		
		3	2, 6	L	51, 52, 54, 55, 56	EX8	DGJ		
		3	3, 7	L	02, 06	EX8	DGJ		
		3	3, 7	L	12, 15, 16	EX8	DGJ		
14									BRACKET, Mounting
	05119556AA	2	2, 6	L	01, 02, 06	EX8	DGJ		
		2	2, 6	L	11, 12, 14, 15, 16	EX8	DGJ		
		2	2, 6	L	51, 52, 54, 55, 56	EX8	DGJ		
		2	3, 7	L	02, 06	EX8	DGJ		
		2	3, 7	L	12, 15, 16	EX8	DGJ		
15									WASHER
	05104638AA	99	2, 6	L	11, 12, 14, 15, 16	EX8	DGJ		
		99	2, 6	L	51, 52, 54, 55, 56	EX8	DGJ		
16									CLAMP
	05126283AA	4	2, 6	L	01, 02, 06	EX8	DGJ		
		4	2, 6	L	11, 12, 14, 15, 16	EX8	DGJ		



SPRINTER (VA)

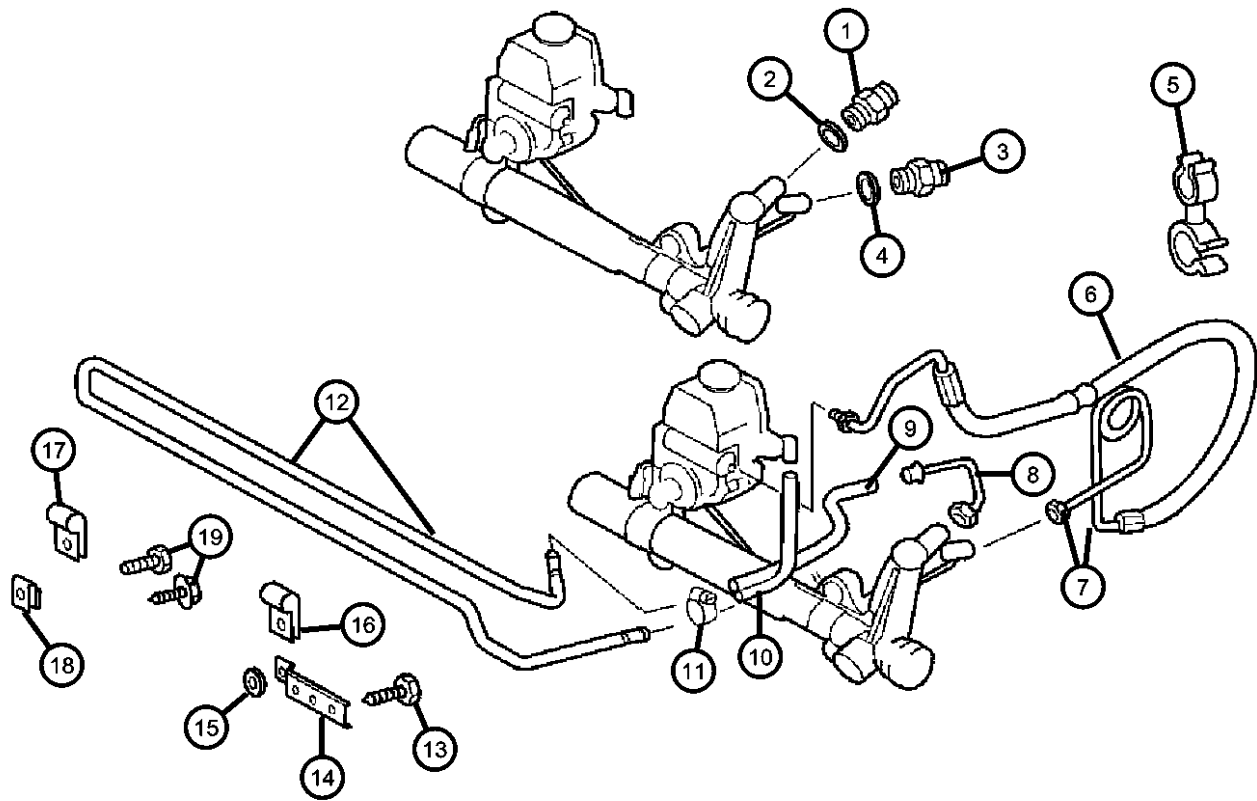
SERIES	LINE	BODY	ENGINE	TRANSMISSION
L = LOWLINE	3 = HD DODGE 2WD 8 = HD DODGE 4WD 6 = Lt. Duty DODGE 4WD 2 = Med. Duty DODGE 2WD 7 = Med. Duty DODGE 4WD 4 = TRUCK	12 = Van 140" 51 = Wagon 118" 52 = Wagon 140" 14 = Van 118" 15 = Van 140" 16 = Van 158" 54 = Wagon 118" 55 = Wagon 140" 56 = Wagon 158" 01 = Chassis Forward Control 118" 02 = Chassis Forward Control 140" 06 = Front Section 158" 11 = Van 118"	EX8 = Engine - 2.7L I5 Mercedes-Benz TD	DGJ = Transmission - 5-Spd Auto, MB

AR = use ase required - = Non illustrated part

2005 VA

Hoses Steering and Related
Figure 19-710

ITEM	PART NUMBER	QTY	LINE	SERIES	BODY	ENGINE	TRANS	TRIM	DESCRIPTION
		4	2, 6	L	51, 52, 54, 55, 56	EX8	DGJ		
		4	3, 7	L	02, 06	EX8	DGJ		
		4	3, 7	L	15, 16, 12	EX8	DGJ		
17	05132910AA	2	2, 6	L	01, 02, 06	EX8	DGJ		CLAMP
		2	2, 6	L	11, 12, 14, 15, 16	EX8	DGJ		
		2	2, 6	L	51, 52, 54, 55, 56	EX8	DGJ		
18	05103733AA	3	2, 6	L	01, 02, 06	EX8	DGJ		NUT
		3	2, 6	L	11, 12, 14, 15, 16	EX8	DGJ		
		3	6, 2	L	51, 52, 54, 55, 56	EX8	DGJ		
		3	3, 7	L	02, 06	EX8	DGJ		
		1	3, 7	L	02, 06	EX8	DGJ		
19		1							SCREW, (NOT SERVICED)



SPRINTER (VA)

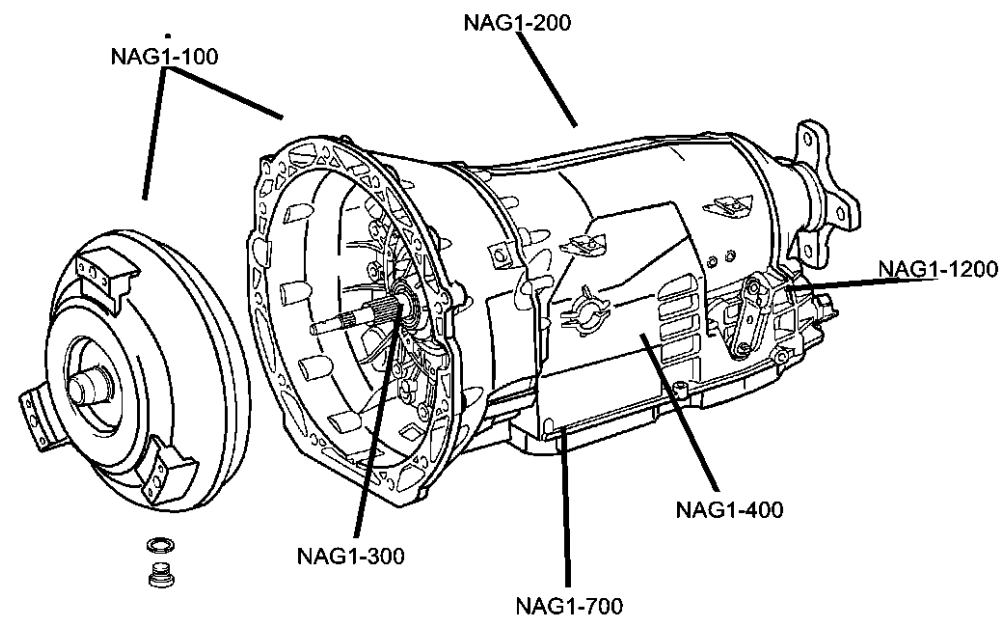
SERIES	LINE	BODY	ENGINE	TRANSMISSION
L = LOWLINE	3 = HD DODGE 2WD 8 = HD DODGE 4WD 6 = Lt. Duty DODGE 4WD 2 = Med. Duty DODGE 2WD 7 = Med. Duty DODGE 4WD 4 = TRUCK	12 = Van 140" 51 = Wagon 118" 52 = Wagon 140" 14 = Van 118" 15 = Van 140" 16 = Van 158" 54 = Wagon 118" 55 = Wagon 140" 56 = Wagon 158" 01 = Chassis Forward Control 118" 02 = Chassis Forward Control 140" 06 = Front Section 158" 11 = Van 118"	EX8 = Engine - 2.7L I5 Mercedes-Benz TD	DGJ = Transmission - 5-Spd Auto, MB

AR = use ase required - = Non illustrated part

2005 VA

Group - NAG1

Automatic Transmission 5 Speed [DGJ]



Group - NAG1 Automatic Transmission 5 Speed [DGJ]

Illustration Title

Group-Fig. No.

Transmission Assembly

Automatic Transmission Fig. NAG1 - 110

Case and Extension

Case and Related Parts Fig. NAG1 - 210

Oil Pump

Housing, Converter & Pump, Oil Fig. NAG1 - 310

Gear Train

Laminated Brake and Front Support - [B1] Fig. NAG1 - 410

Gear Train, Front Planetary Clutch - [K-1] Fig. NAG1 - 420

Carrier, Planetary - [K1] - [VPLS] Fig. NAG1 - 430

Clutch - Output Shaft - [K2] Fig. NAG1 - 440

Center & Rear Planetary Set - Output Shaft - [MPLS/HPLS] Fig. NAG1 - 450

Clutch - [K3] Fig. NAG1 - 460

Multiple Disc Brake - [B2 & B3] Fig. NAG1 - 470

Multiple Disc Brake - [B2 & B3] Fig. NAG1 - 480

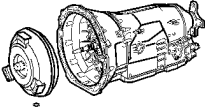
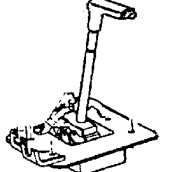
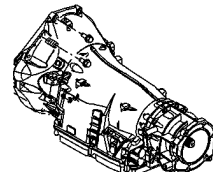
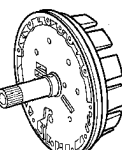
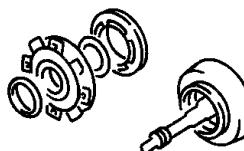
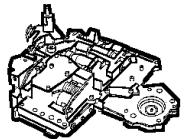
Multiple Disc Brake - [B2 & B3] Fig. NAG1 - 490

Valve Body

Electronic - Hydraulic Control Fig. NAG1 - 710

Gearshift Controls

Gear Shift Control Fig. NAG1 - 1210

<p>NAG1-100 Transmission Assembly</p> 	<p>NAG1-1200 Gearshift Controls</p> 	<p>NAG1-200 Case and Extension</p> 	<p>NAG1-300 Oil Pump</p> 
<p>NAG1-400 Gear Train</p> 	<p>NAG1-700 Valve Body</p> 		

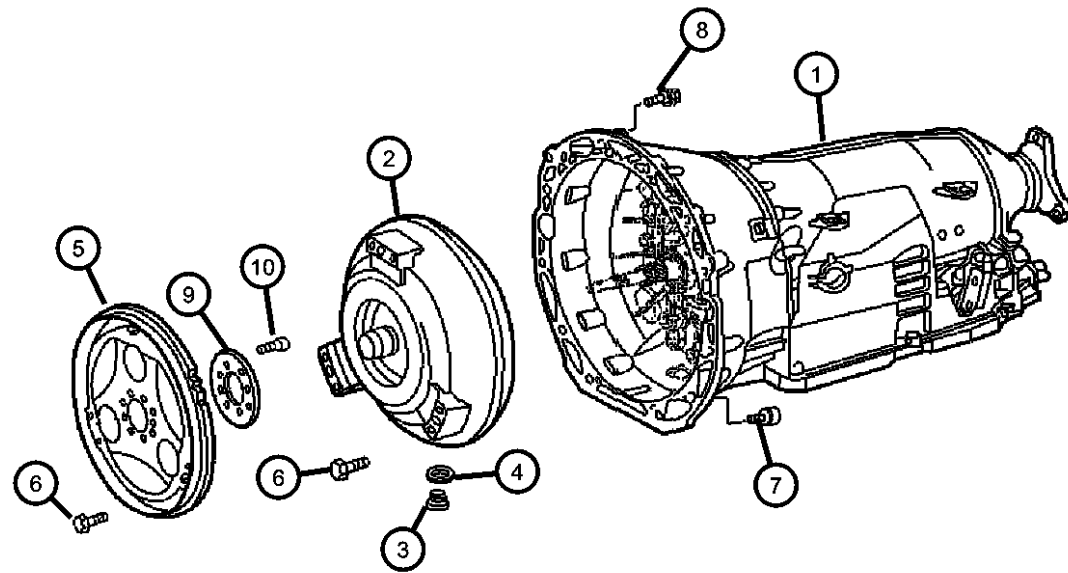
**Automatic Transmission
Figure NAG1-110**

ITEM	PART NUMBER	QTY	LINE	SERIES	BODY	ENGINE	TRANS	TRIM	DESCRIPTION
------	-------------	-----	------	--------	------	--------	-------	------	-------------

NOTE: Transmission Assembly Does Not Include Torque Converter. Torque Converter Serviced Separately.

Sales Codes:

[DGJ]=5 Speed Automatic Transmission - [NAG1] - [W5A380]



1	05104552AA 05127382AA	1	2, 3, 6, 7	L		EX8	DGJ		TRANSMISSION, Automatic Mopar Automatic Transmission Fluid Quart
2	05104567AA	1	2, 3, 6, 7	L		EX8	DGJ		CONVERTER, Torque
3	05080398AA	1	2, 3, 6, 7	L		EX8	DGJ		PLUG
4	05080014AA	1	2, 3, 6, 7	L		EX8	DGJ		O RING
5	05137274AA	1		L		EX8			FLEX PLATE
6									SCREW
	06507095AA	6	2, 6	L		EX8	DGJ		
		6	3, 7	L		EX8	DGJ		
7									SCREW
	06104047AA	2	2, 6	L		EX8	DGJ		
		2	3, 7	L		EX8	DGJ		
8									BOLT, Hex Flange Head, M10x40
	06104218AA	6	2, 6	L		EX8	DGJ		
		6	3, 7	L		EX8	DGJ		
9	05080066AA	1				EX8	DGJ		WASHER
10									BOLT, Hex Flange Head, M10x40
	06104218AA	6	2, 6	L		EX8	DGJ		
		6	3, 7	L		EX8	DGJ		

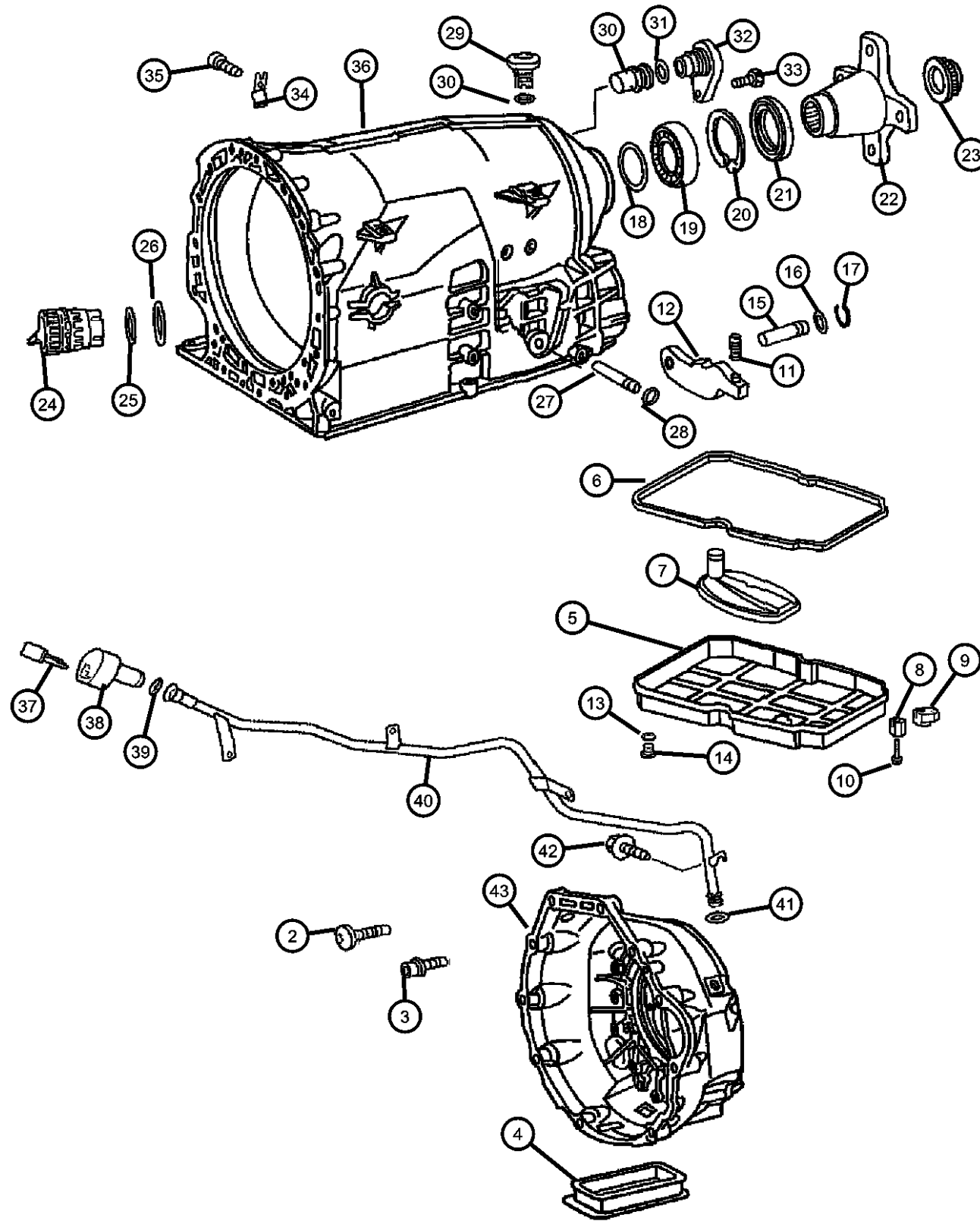
SPRINTER (VA)

SERIES	LINE	BODY	ENGINE	TRANSMISSION
L = LOWLINE	3 = HD DODGE 2WD 8 = HD DODGE 4WD 6 = Lt. Duty DODGE 4WD 2 = Med. Duty DODGE 2WD 7 = Med. Duty DODGE 4WD 4 = TRUCK	12 = Van 140" 51 = Wagon 118" 52 = Wagon 140" 14 = Van 118" 15 = Van 140" 16 = Van 158" 54 = Wagon 118" 55 = Wagon 140" 56 = Wagon 158" 01 = Chassis Forward Control 118" 02 = Chassis Forward Control 140" 06 = Front Section 158" 11 = Van 118"	EX8 = Engine - 2.7L I5 Mercedes-Benz TD	DGJ = Transmission - 5-Spd Auto, MB

AR = use ase required - = Non illustrated part

2005 VA

**Case and Related Parts
Figure NAG1-210**



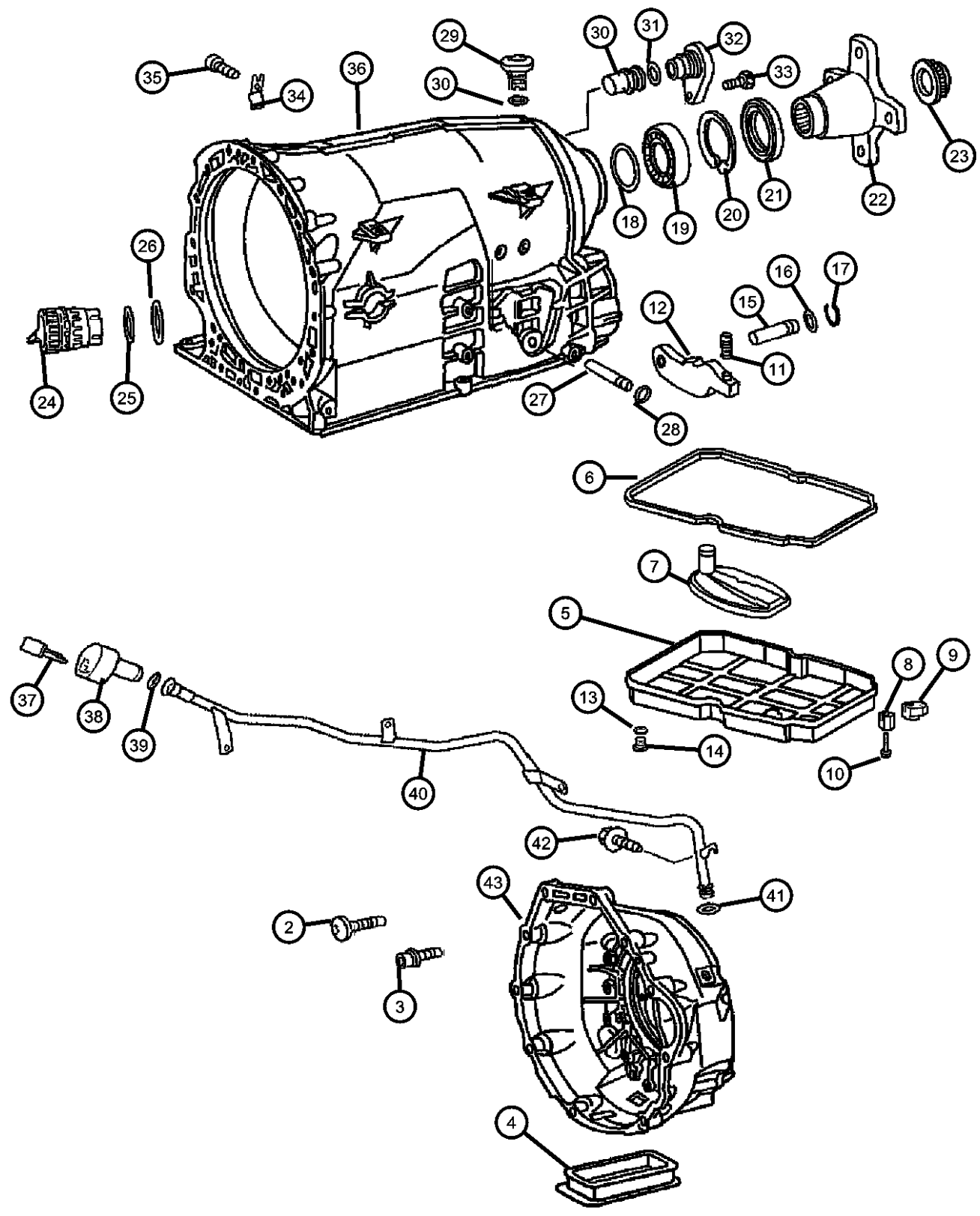
ITEM	PART NUMBER	QTY	LINE	SERIES	BODY	ENGINE	TRANS	TRIM	DESCRIPTION
NOTE:Sales Codes: [DGJ]=5 Speed Automatic Transmission - [NAG1] - [W5A380]									
-1	05080067AA	1	2, 3, 6, 7	L		EX8	DGJ		GASKET PACKAGE, Transmission
2	52108396AA	2	2, 3, 6, 7	L		EX8	DGJ		SCREW
3	52107934AA	11	2, 3, 6, 7	L		EX8	DGJ		SCREW
4	05073886AA	2	2, 3, 6, 7	L		EX8	DGJ		GASKET
5	52108326AA	1	2, 3, 6, 7	L		EX8	DGJ		PAN, Transmission Oil
6	52108332AA	1	2, 3, 6, 7	L		EX8	DGJ		GASKET
7	52108325AA	1	2, 3, 6, 7	L		EX8	DGJ		FILTER, Transmission Oil
8	52108334AA	5	2, 3, 6, 7	L		EX8	DGJ		NUT
9	05080289AA	1	2, 3, 6, 7	L		EX8	DGJ		NUT
10	52108270AA	6	2, 3, 6, 7	L		EX8	DGJ		SCREW
11	52108154AA	1	2, 3, 6, 7	L		EX8	DGJ		PAWL, Parking Sprag
12	52108157AA	1	2, 3, 6, 7	L		EX8	DGJ		SPRING
13	52108330AA	1	2, 3, 6, 7	L		EX8	DGJ		SEAL, Transmission
14	52108331AA	1	2, 3, 6, 7	L		EX8	DGJ		MAGNET
15	52108155AA	1	2, 3, 6, 7	L		EX8	DGJ		PIN
16	52108160AA	1		L			DGJ		SEAL, Transmission
17	52107975AA	1	2, 3, 6, 7	L		EX8	DGJ		SNAP RING
18									SPACER
	52108220AA	0	2, 3, 6, 7	L		EX8	DGJ		[0.3 MM]
	52108230AA	0	2, 3, 6, 7	L		EX8	DGJ		[0.2 MM]
	52108231AA	0	2, 3, 6, 7	L		EX8	DGJ		[0.4 MM]
	52108232AA	0	2, 3, 6, 7	L		EX8	DGJ		[0.5 MM]
19	52108207AA	1	2, 3, 6, 7	L		EX8	DGJ		BEARING, Ball
20	52108210AA	1	2, 3, 6, 7	L		EX8	DGJ		LOCK, Mounting
21	52108428AA	1	2, 3, 6, 7	L		EX8	DGJ		SEAL, Transmission
22	05117859AA	1	2, 3, 6, 7	L		EX8	DGJ		FLANGE, Drive Shaft
23	52108234AA	1	2, 3, 6, 7	L		EX8	DGJ		NUT

SPRINTER (VA)

SERIES	LINE	BODY	ENGINE	TRANSMISSION
L = LOWLINE	3 = HD DODGE 2WD 8 = HD DODGE 4WD 6 = Lt. Duty DODGE 4WD 2 = Med. Duty DODGE 2WD 7 = Med. Duty DODGE 4WD 4 = TRUCK	12 = Van 140" 51 = Wagon 118" 52 = Wagon 140" 14 = Van 118" 15 = Van 140" 16 = Van 158" 54 = Wagon 118" 55 = Wagon 140" 56 = Wagon 158" 01 = Chassis Forward Control 118" 02 = Chassis Forward Control 140" 06 = Front Section 158" 11 = Van 118"	EX8 = Engine - 2.7L I5 Mercedes-Benz TD	DGJ = Transmission - 5-Spd Auto, MB

AR = use ase required - = Non illustrated part

Case and Related Parts
Figure NAG1-210



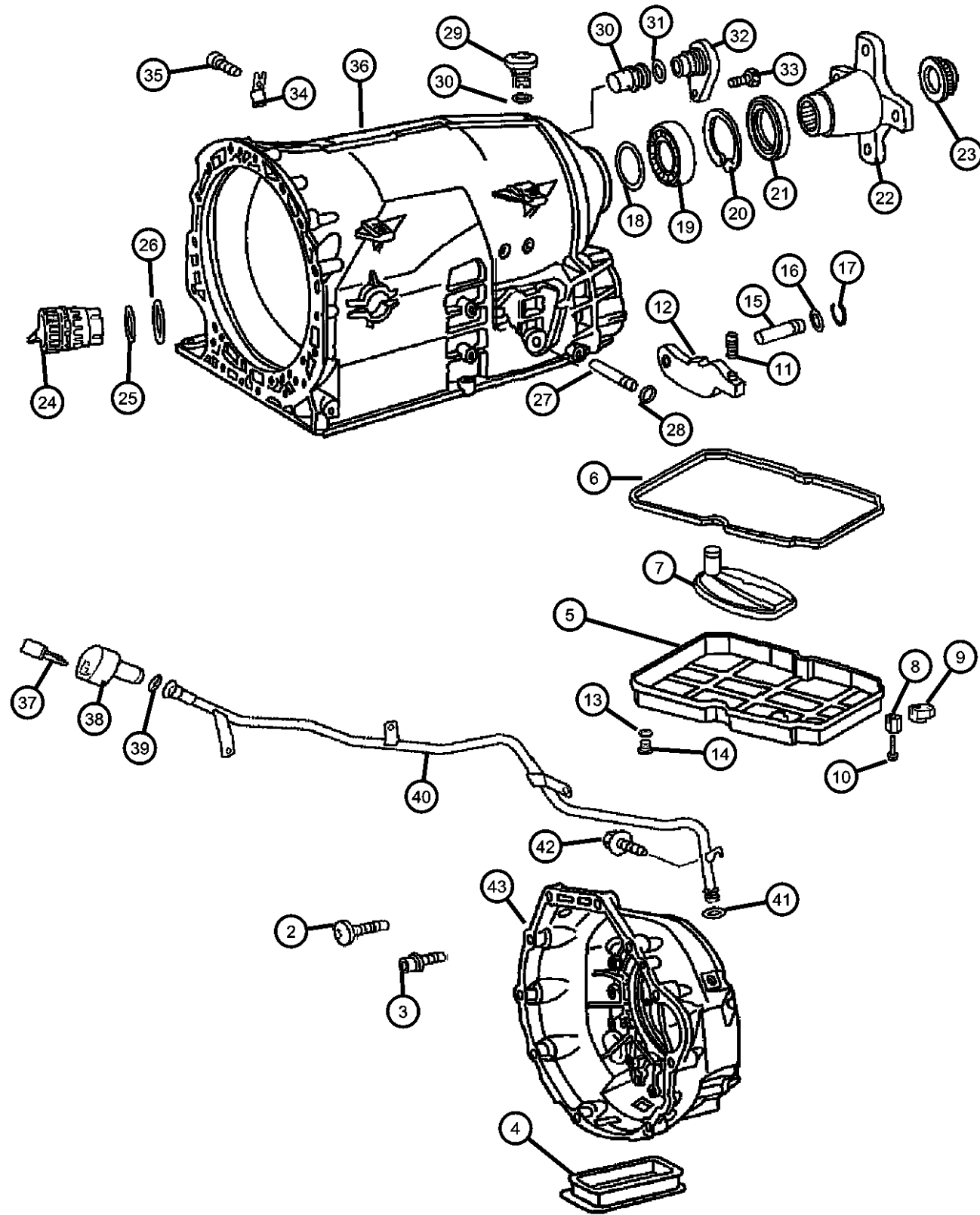
ITEM	PART NUMBER	QTY	LINE	SERIES	BODY	ENGINE	TRANS	TRIM	DESCRIPTION
24	52108322AA	1	2, 3, 6, 7	L		EX8	DGJ		PLUG, Adapter
25	52108324AA	1	2, 3, 6, 7	L		EX8	DGJ		O RING, Adapter Plug
26	52108323AB	1	2, 3, 6, 7	L		EX8	DGJ		O RING, Adapter Plug
27	52108159AA	1		L			DGJ		PIN
28	52108323AA	1	2, 3, 6, 7	L		EX8	DGJ		O RING, Adapter Plug
29	52108364AA	1	2, 3, 6, 7	L		EX8	DGJ		BREATHER, Transmission
30	52108367AA	1	2, 3, 6, 7	L		EX8	DGJ		SEAL, Transmission
31	05125908AA	1	2, 3, 6, 7	L		EX8	DGJ		O RING, Sensor
32	05117839AA	1	2, 3, 6, 7	L		EX8	DGJ		CAP, Oil Filler
33	05117839AA	1							BOLT, (NOT SERVICED)
34	52108179AA	1	2, 3, 6, 7	L		EX8	DGJ		SPRING
35	52108161AA	1	2, 3, 6, 7	L		EX8	DGJ		SCREW
36	05117849AA	1	2, 3, 6, 7	L		EX8	DGJ		HOUSING, Transmission
37									PIN
	05093746AA	1	2, 6	L		EX8	DGJ		
		1	3, 7	L		EX8	DGJ		
38									CAP, Oil Filler
	53013549AA	1	2, 6	L		EX8	DGJ		
		1	3, 7	L		EX8	DGJ		
39									SEAL, Oil Filler Tube
	05101154AA	1	2, 6	L		EX8	DGJ		
		1	3, 7	L		EX8	DGJ		
40									TUBE, Transmission Oil Filler
	05117847AA	1	3, 7	L		EX8	DGJ		
		1	2, 6	L		EX8	DGJ		
41									SEAL, Oil Filler Tube
	05101154AA	1	2, 6	L		EX8	DGJ		
		1	3, 7	L		EX8	DGJ		

SPRINTER (VA)

SERIES	LINE	BODY	ENGINE	TRANSMISSION
L = LOWLINE	3 = HD DODGE 2WD 8 = HD DODGE 4WD 6 = Lt. Duty DODGE 4WD 2 = Med. Duty DODGE 2WD 7 = Med. Duty DODGE 4WD 4 = TRUCK	12 = Van 140" 51 = Wagon 118" 52 = Wagon 140" 14 = Van 118" 15 = Van 140" 16 = Van 158" 54 = Wagon 118" 55 = Wagon 140" 56 = Wagon 158" 01 = Chassis Forward Control 118" 02 = Chassis Forward Control 140" 06 = Front Section 158" 11 = Van 118"	EX8 = Engine - 2.7L I5 Mercedes-Benz TD	DGJ = Transmission - 5-Spd Auto, MB

AR = use ase required - = Non illustrated part

Case and Related Parts
Figure NAG1-210



ITEM	PART NUMBER	QTY	LINE	SERIES	BODY	ENGINE	TRANS	TRIM	DESCRIPTION
42	05125738AA	1	2, 6	L		EX8	DGJ		SCREW
		1	3, 7	L		EX8	DGJ		
43	05117848AA	1	2, 3, 6, 7	L		EX8	DGJ		HOUSING, Torque Converter

SPRINTER (VA)

SERIES

L = LOWLINE

LINE

3 = HD DODGE 2WD
 8 = HD DODGE 4WD
 6 = Lt. Duty DODGE 4WD
 2 = Med. Duty DODGE 2WD
 7 = Med. Duty DODGE 4WD
 4 = TRUCK

BODY

12 = Van 140"
 51 = Wagon 118"
 52 = Wagon 140"
 14 = Van 118"
 15 = Van 140"
 16 = Van 158"
 54 = Wagon 118"
 55 = Wagon 140"
 56 = Wagon 158"
 01 = Chassis Forward Control
 118"
 02 = Chassis Forward Control
 140"
 06 = Front Section 158"
 11 = Van 118"

ENGINE

EX8 = Engine - 2.7L I5
 Mercedes-Benz TD

TRANSMISSION

DGJ = Transmission - 5-Spd Auto, MB

AR = use ase required - = Non illustrated part

2005 VA

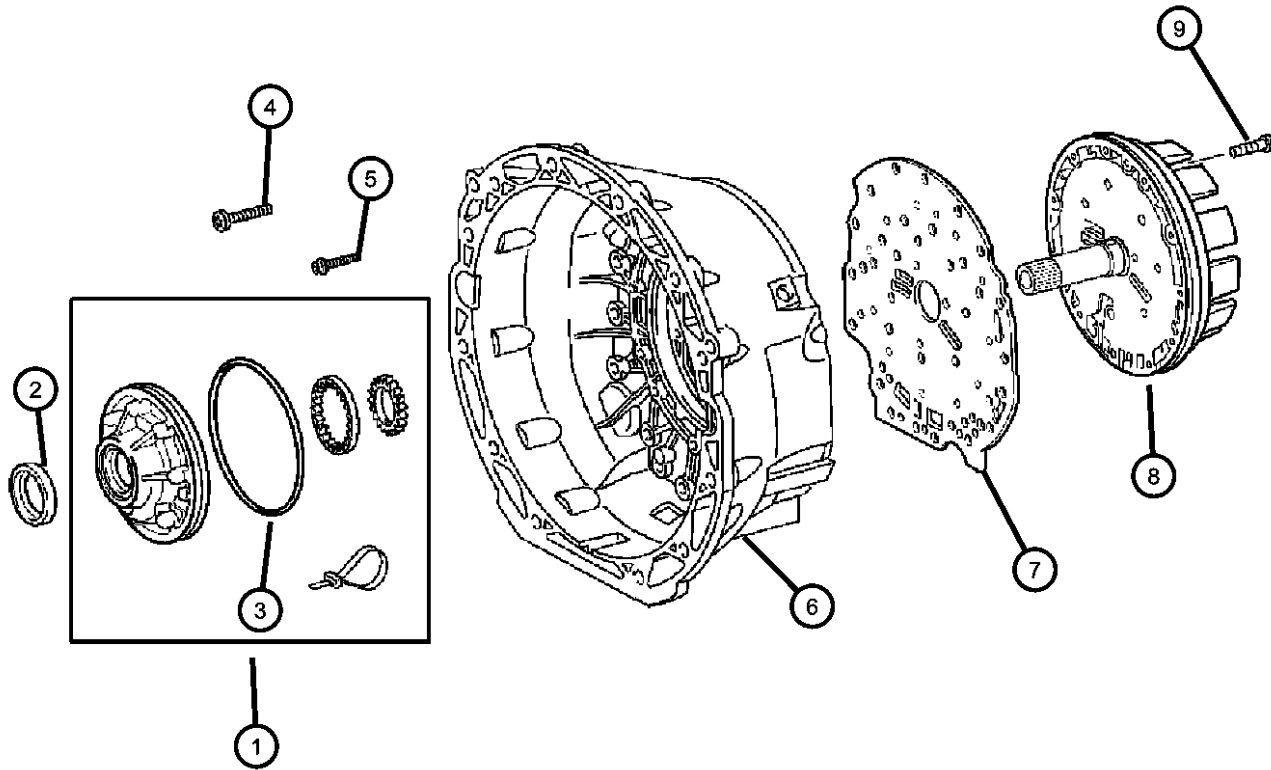
**Housing, Converter & Pump, Oil
Figure NAG1-310**

ITEM	PART NUMBER	QTY	LINE	SERIES	BODY	ENGINE	TRANS	TRIM	DESCRIPTION
------	-------------	-----	------	--------	------	--------	-------	------	-------------

NOTE:

Sales Codes:

[DGJ]=5 Speed Automatic Transmission - [NAG1] - [W5A380]



1	05080070AA	1	2, 3, 6, 7	L		EX8	DGJ		PUMP, Transmission Oil, Includes: Oil Pump Rotors, Oil Pump O-Ring, Housing, Tie Strap.
2	52107896AA	1	2, 3, 6, 7	L		EX8	DGJ		SEAL Optional With [52107897AA, 52107898AA, 52108424AA]
	52107897AA	1	2, 3, 6, 7	L		EX8	DGJ		Optional With [52107896AA, 52107898AA, 52108424AA]
	52107898AA	1	2, 3, 6, 7	L		EX8	DGJ		Optional With [52107896AA, 52107897AA, 52108424AA]
	52108424AA	1	2, 3, 6, 7	L		EX8	DGJ		Optional With [52107896AA, 52107897AA, 52107898AA]
3	52107900AA	1	2, 3, 6, 7	L		EX8	DGJ		O RING
4	52108396AA	2	2, 3, 6, 7	L		EX8	DGJ		SCREW, Bell Housing To Transmission Case
5	52107934AA	11	2, 3, 6, 7	L		EX8	DGJ		SCREW, Bell Housing To Disc Support
6	05117848AA	1	2, 3, 6, 7	L		EX8	DGJ		HOUSING, Torque Converter
7	52108147AA	1	2, 3, 6, 7	L		EX8	DGJ		PLATE, Intermediate
8	52108539AC	1	2, 3, 6, 7	L		EX8	DGJ		RETAINER, Clutch
9	52107933AA	7	2, 3, 6, 7	L		EX8	DGJ		SCREW, Oil Pump To Bell Housing - From Inside Transmission Case

SPRINTER (VA)

SERIES

L = LOWLINE

LINE

3 = HD DODGE 2WD
8 = HD DODGE 4WD
6 = Lt. Duty DODGE 4WD
2 = Med. Duty DODGE 2WD
7 = Med. Duty DODGE 4WD
4 = TRUCK

BODY

12 = Van 140"
51 = Wagon 118"
52 = Wagon 140"
14 = Van 118"
15 = Van 140"
16 = Van 158"
54 = Wagon 118"
55 = Wagon 140"
56 = Wagon 158"
01 = Chassis Forward Control 118"
02 = Chassis Forward Control 140"
06 = Front Section 158"
11 = Van 118"

ENGINE

EX8 = Engine - 2.7L I5 Mercedes-Benz TD

TRANSMISSION

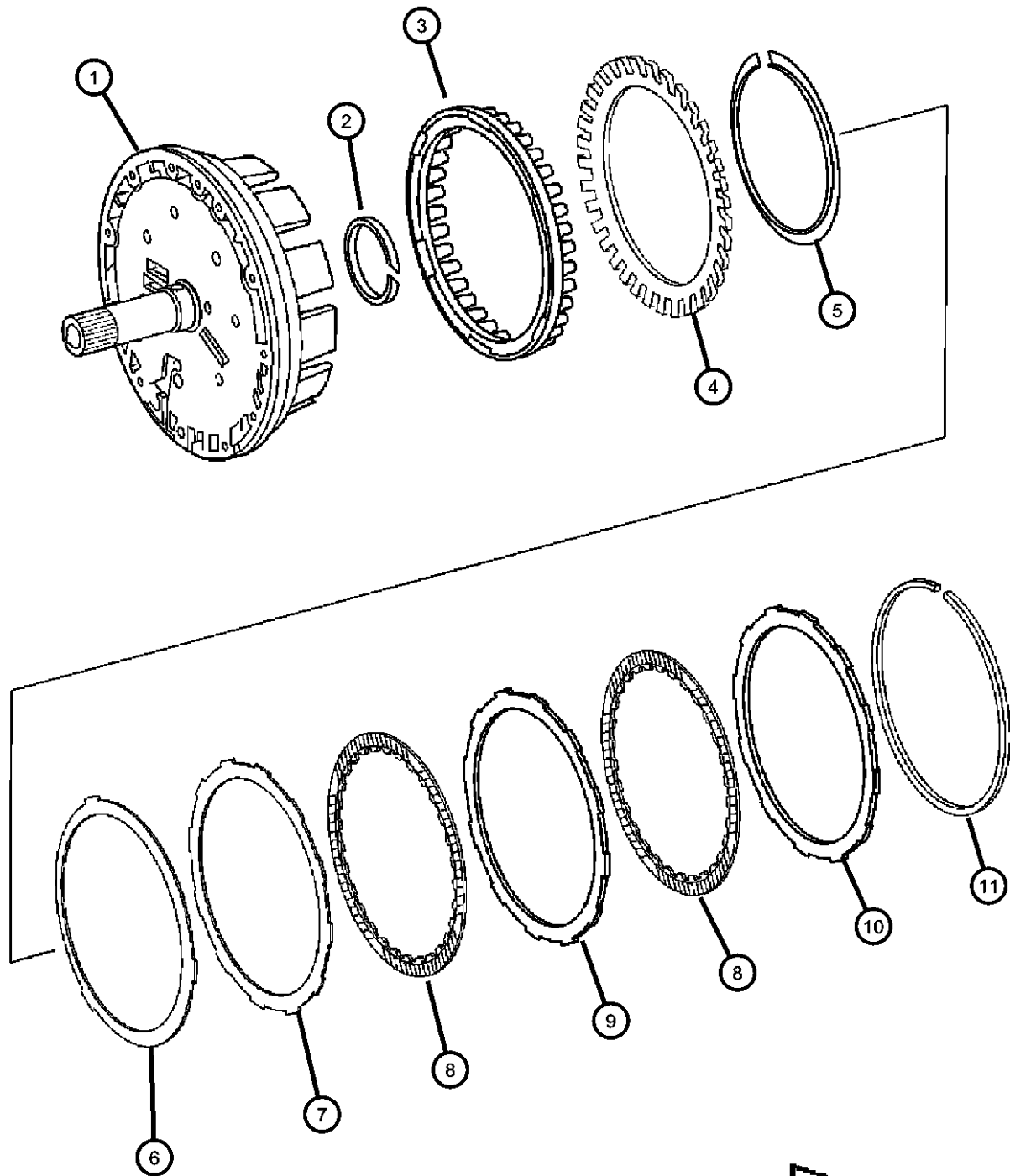
DGJ = Transmission - 5-Spd Auto, MB



AR = use ase required - = Non illustrated part

2005 VA

Laminated Brake and Front Support - [B1]
Figure NAG1-410



ITEM	PART NUMBER	QTY	LINE	SERIES	BODY	ENGINE	TRANS	TRIM	DESCRIPTION
------	-------------	-----	------	--------	------	--------	-------	------	-------------

NOTE:

Sales Codes:

[DGJ]=5 Speed Automatic Transmission - [NAG1] - [W5A380]

1	52108539AC	1	2, 3, 6, 7	L		EX8	DGJ		RETAINER, Clutch
2	52108028AA	2	2, 3, 6, 7	L		EX8	DGJ		SEAL, Transmission
3	52108506AA	1	2, 3, 6, 7	L		EX8	DGJ		PISTON
4	52108023AA	1	2, 3, 6, 7	L		EX8	DGJ		DISC, Spring
5	52107936AA	1	2, 3, 6, 7	L		EX8	DGJ		SNAP RING
6	52108024AA	1	2, 3, 6, 7	L		EX8	DGJ		DISC, Spring
7	52107992AA	1		L					DISC, Outer, [1.8 MM]
8	52108507AA	5	2, 3, 6, 7	L		EX8	DGJ		DISC, Inner
9	52108508AA	5	2, 3, 6, 7	L		EX8	DGJ		DISC, Outer
10	52107994AA	1	2, 3, 6, 7	L		EX8	DGJ		DISC, Outer, [4.0 MM]
11									SNAP RING
	52107949AA	1	2, 3, 6, 7	L		EX8	DGJ		[2.6 MM]
	52107950AA	1	2, 3, 6, 7	L		EX8	DGJ		[2.9 MM]
	52107951AA	1	2, 3, 6, 7	L		EX8	DGJ		[3.2 MM]
	52107952AA	1	2, 3, 6, 7	L		EX8	DGJ		[3.5 MM]

SPRINTER (VA)

SERIES

L = LOWLINE

LINE

3 = HD DODGE 2WD
8 = HD DODGE 4WD
6 = Lt. Duty DODGE 4WD
2 = Med. Duty DODGE 2WD
7 = Med. Duty DODGE 4WD
4 = TRUCK

BODY

12 = Van 140"
51 = Wagon 118"
52 = Wagon 140"
14 = Van 118"
15 = Van 140"
16 = Van 158"
54 = Wagon 118"
55 = Wagon 140"
56 = Wagon 158"
01 = Chassis Forward Control
118"
02 = Chassis Forward Control
140"
06 = Front Section 158"
11 = Van 118"

ENGINE

EX8 = Engine - 2.7L I5
Mercedes-Benz TD

TRANSMISSION

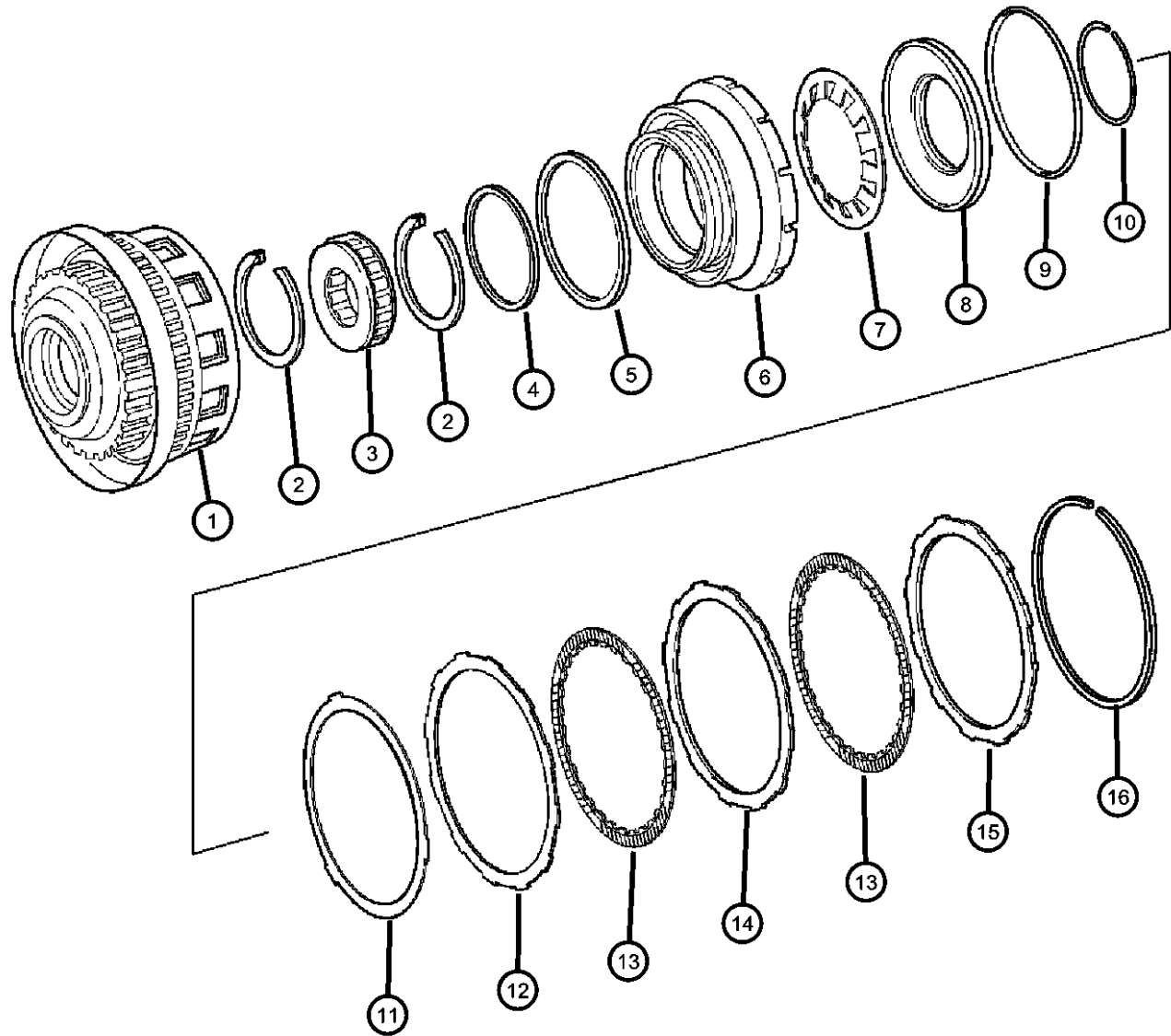
DGJ = Transmission - 5-Spd Auto, MB



AR = use ase required - = Non illustrated part

2005 VA

**Gear Train, Front Planetary Clutch - [K-1]
Figure NAG1-420**



ITEM	PART NUMBER	QTY	LINE	SERIES	BODY	ENGINE	TRANS	TRIM	DESCRIPTION
------	-------------	-----	------	--------	------	--------	-------	------	-------------

NOTE:

Sales Codes:

[DGJ]=5 Speed Automatic Transmission - [NAG1] - [W5A380]

1	52108510AA	1	2, 3, 6, 7	L		EX8	DGJ		DISC, Support
2	52107955AA	2	2, 3, 6, 7	L		EX8	DGJ		SNAP RING
3	52108342AA	1	2, 3, 6, 7	L		EX8	DGJ		WHEEL
4	52107938AA	1	2, 3, 6, 7	L		EX8	DGJ		SEAL, Transmission
5	52107939AA	1	2, 3, 6, 7	L		EX8	DGJ		SEAL, Transmission
6	52108059AA	1	2, 3, 6, 7	L		EX8	DGJ		PISTON
7	52108057AA	1	2, 3, 6, 7	L		EX8	DGJ		DISC, Spring
8	52108058AA	1	2, 3, 6, 7	L		EX8	DGJ		SPRING, Retainer
9	52107941AA	1	2, 3, 6, 7	L		EX8	DGJ		SEAL, Transmission
10	52107954AA	1	2, 3, 6, 7	L		EX8	DGJ		SNAP RING
11	52108024AA	1	2, 3, 6, 7	L		EX8	DGJ		DISC, Spring
12	52107992AA	1		L					DISC, Outer, [1.8 MM]
13	52108507AA	5	2, 3, 6, 7	L		EX8	DGJ		DISC, Inner
14	52108508AA	5	2, 3, 6, 7	L		EX8	DGJ		DISC, Outer, [2.07 MM]
15	52107994AA	1	2, 3, 6, 7	L		EX8	DGJ		DISC, Outer, [4.0 MM]
16									SNAP RING
	52107949AA	1	2, 3, 6, 7	L		EX8	DGJ		[2.6 MM]
	52107950AA	1	2, 3, 6, 7	L		EX8	DGJ		[2.9 MM]
	52107951AA	1	2, 3, 6, 7	L		EX8	DGJ		[3.2 MM]
	52107952AA	1	2, 3, 6, 7	L		EX8	DGJ		[3.5 MM]
	52108373AA	1	2, 3, 6, 7	L		EX8	DGJ		[3.8 MM]

SPRINTER (VA)

SERIES

L = LOWLINE

LINE

3 = HD DODGE 2WD
8 = HD DODGE 4WD
6 = Lt. Duty DODGE 4WD
2 = Med. Duty DODGE 2WD
7 = Med. Duty DODGE 4WD
4 = TRUCK

BODY

12 = Van 140"
51 = Wagon 118"
52 = Wagon 140"
14 = Van 118"
15 = Van 140"
16 = Van 158"
54 = Wagon 118"
55 = Wagon 140"
56 = Wagon 158"
01 = Chassis Forward Control
118"
02 = Chassis Forward Control
140"
06 = Front Section 158"
11 = Van 118"

ENGINE

EX8 = Engine - 2.7L I5
Mercedes-Benz TD

TRANSMISSION

DGJ = Transmission - 5-Spd Auto, MB



AR = use ase required - = Non illustrated part

2005 VA

**Carrier, Planetary - [K1] - [VPLS]
Figure NAG1-430**

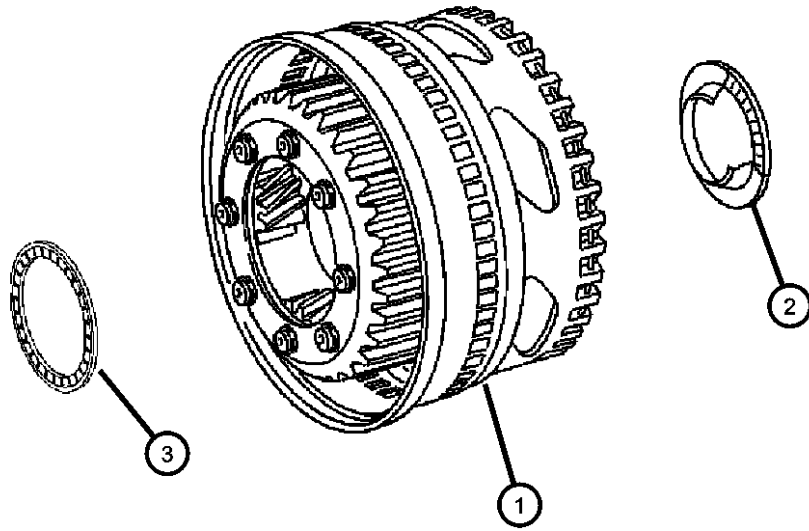
ITEM	PART NUMBER	QTY	LINE	SERIES	BODY	ENGINE	TRANS	TRIM	DESCRIPTION
------	-------------	-----	------	--------	------	--------	-------	------	-------------

NOTE:

Sales Codes:

[DGJ]=5 Speed Automatic Transmission -[NAG1] - [W5A380]

1	52108513AA	1	2, 3, 6, 7	L		EX8	DGJ		CARRIER, Planetary
2	52108123AA	1	2, 3, 6, 7	L		EX8	DGJ		NEEDLE BEARING
3	52108122AA	1	2, 3, 6, 7	L		EX8	DGJ		NEEDLE BEARING



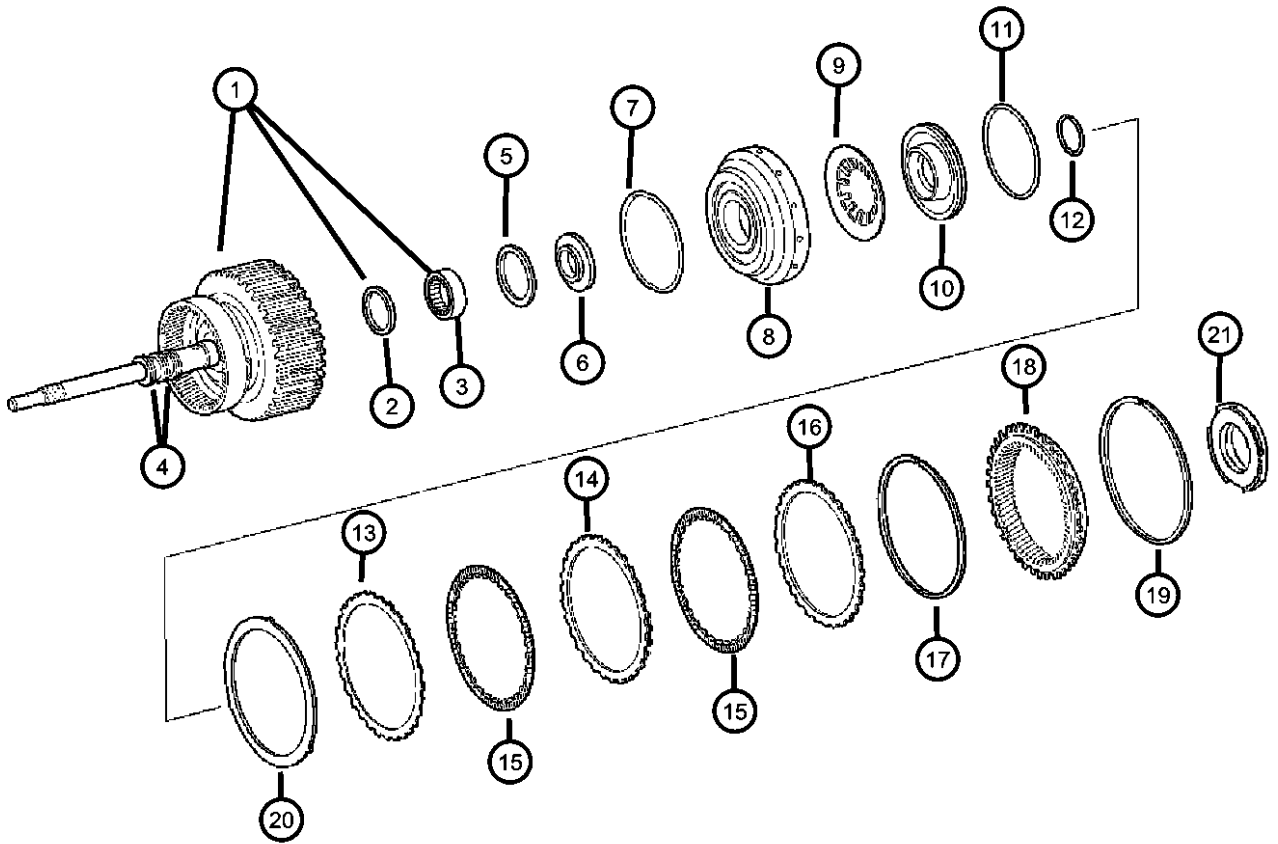
SPRINTER (VA)

SERIES	LINE	BODY	ENGINE	TRANSMISSION
L = LOWLINE	3 = HD DODGE 2WD 8 = HD DODGE 4WD 6 = Lt. Duty DODGE 4WD 2 = Med. Duty DODGE 2WD 7 = Med. Duty DODGE 4WD 4 = TRUCK	12 = Van 140" 51 = Wagon 118" 52 = Wagon 140" 14 = Van 118" 15 = Van 140" 16 = Van 158" 54 = Wagon 118" 55 = Wagon 140" 56 = Wagon 158"	EX8 = Engine - 2.7L I5 Mercedes-Benz TD	DGJ = Transmission - 5-Spd Auto, MB
		01 = Chassis Forward Control 118"		
		02 = Chassis Forward Control 140"		
		06 = Front Section 158"		
		11 = Van 118"		

AR = use ase required - = Non illustrated part

2005 VA

**Clutch - Output Shaft - [K2]
Figure NAG1-440**



ITEM	PART NUMBER	QTY	LINE	SERIES	BODY	ENGINE	TRANS	TRIM	DESCRIPTION
NOTE: Sales Codes: [DGJ]=5 Speed Automatic Transmission - [NAG1] - [W5A380]									
1	52108044AA	1	2, 3, 6, 7	L		EX8	DGJ		SHAFT, Input
2	52108127AA	1	2, 3, 6, 7	L		EX8	DGJ		SEAL, Transmission
3	52108126AA	1	2, 3, 6, 7	L		EX8	DGJ		NEEDLE BEARING
4	52108534AA	3	2, 3, 6, 7	L		EX8	DGJ		SEAL, Transmission
5	52108134AA	1	2, 3, 6, 7	L		EX8	DGJ		SEAL, Transmission
6	52108070AA	1	2, 3, 6, 7	L		EX8	DGJ		PLATE
7	52108135AA	1	2, 3, 6, 7	L		EX8	DGJ		SEAL, Input Shaft
8	52108517AA	1	2, 3, 6, 7	L		EX8	DGJ		PISTON
9	52108137AA	1	2, 3, 6, 7	L		EX8	DGJ		DISC, Spring
10	52108138AB	1	2, 3, 6, 7	L		EX8	DGJ		SPRING, Retainer
11	52108140AA	1	2, 3, 6, 7	L		EX8	DGJ		SEAL, Transmission
12	52107970AA	1	2, 3, 6, 7	L		EX8	DGJ		SNAP RING
13	52107996AA	1	2, 3, 6, 7	L		EX8	DGJ		DISC, Outer, [1.8 MM]
14	52107997AA	4	2, 3, 6, 7	L		EX8	DGJ		DISC, Outer, [3.5 MM]
15	52108141AB	5	2, 3, 6, 7	L		EX8	DGJ		DISC, Inner
16	52107998AA	1	2, 3, 6, 7	L		EX8	DGJ		DISC, Outer, [4.0 MM]
17									SNAP RING
	52107958AA	1	2, 3, 6, 7	L		EX8	DGJ		[2.3 MM]
	52107959AA	1	2, 3, 6, 7	L		EX8	DGJ		[2.6 MM]
	52107960AA	1	2, 3, 6, 7	L		EX8	DGJ		[2.9 MM]
	52107961AA	1	2, 3, 6, 7	L		EX8	DGJ		[3.2 MM]
	52107962AA	1	2, 3, 6, 7	L		EX8	DGJ		[3.5 MM]
18	52107922AA	1	2, 3, 6, 7	L		EX8	DGJ		GEAR, Rear Annulus
19	52107926AA	1	2, 3, 6, 7	L		EX8	DGJ		SNAP RING
20	52108346AA	1	2, 3, 6, 7	L		EX8	DGJ		DISC, Spring
21									BEARING, Thrust

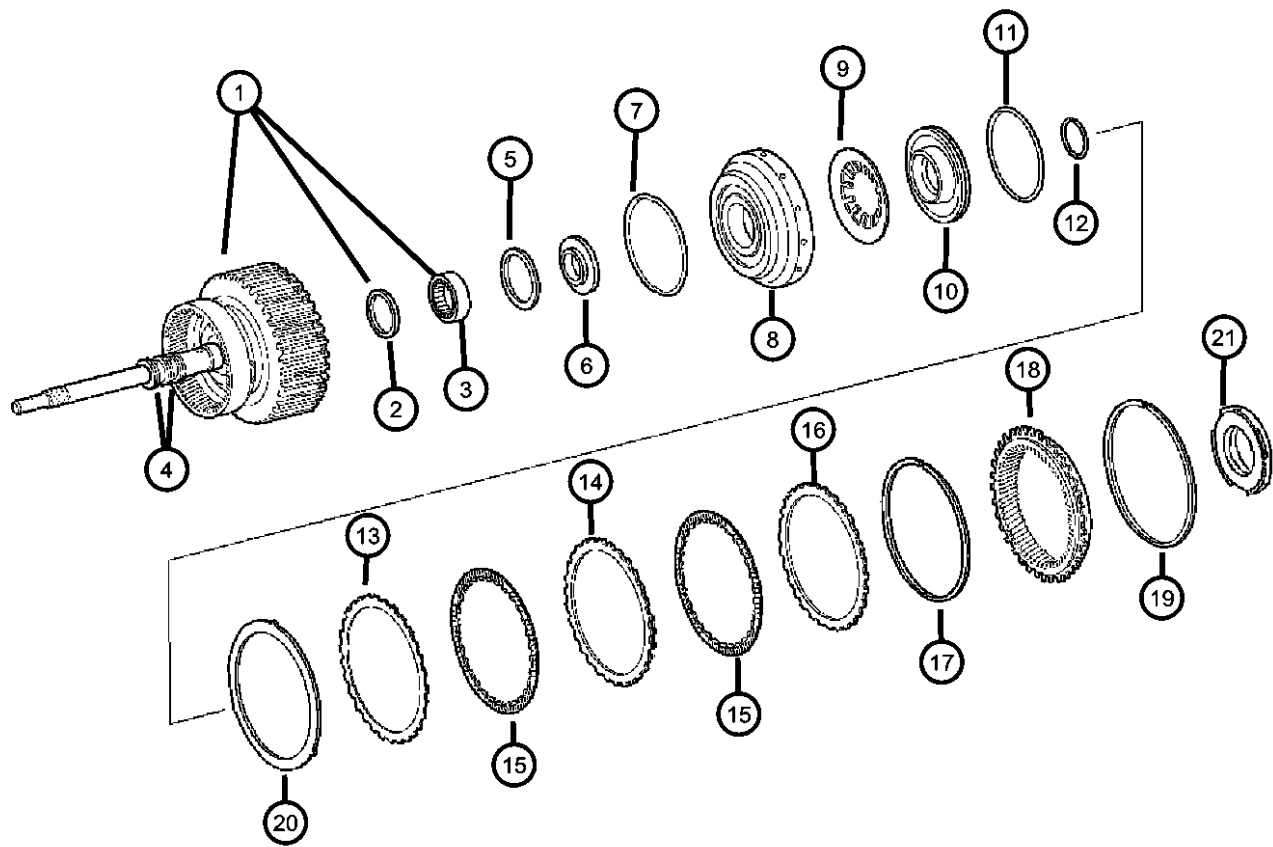


SPRINTER (VA)				
SERIES	LINE	BODY	ENGINE	TRANSMISSION
L = LOWLINE	3 = HD DODGE 2WD 8 = HD DODGE 4WD 6 = Lt. Duty DODGE 4WD 2 = Med. Duty DODGE 2WD 7 = Med. Duty DODGE 4WD 4 = TRUCK	12 = Van 140" 51 = Wagon 118" 52 = Wagon 140" 14 = Van 118" 15 = Van 140" 16 = Van 158" 54 = Wagon 118" 55 = Wagon 140" 56 = Wagon 158" 01 = Chassis Forward Control 118" 02 = Chassis Forward Control 140" 06 = Front Section 158" 11 = Van 118"	EX8 = Engine - 2.7L I5 Mercedes-Benz TD	DGJ = Transmission - 5-Spd Auto, MB

AR = use ase required - = Non illustrated part

**Clutch - Output Shaft - [K2]
Figure NAG1-440**

ITEM	PART NUMBER	QTY	LINE	SERIES	BODY	ENGINE	TRANS	TRIM	DESCRIPTION
	05138437AA	1	2, 3, 6, 7	L		EX8	DGJ		Optional With [05138438AA]
	05138438AA	1	2, 3, 6, 7	L		EX8	DGJ		Optional With [05138437AA]



SPRINTER (VA)

SERIES

L = LOWLINE
3 = HD DODGE 2WD
8 = HD DODGE 4WD
6 = Lt. Duty DODGE 4WD
2 = Med. Duty DODGE 2WD
7 = Med. Duty DODGE 4WD
4 = TRUCK

LINE

3 = HD DODGE 2WD
8 = HD DODGE 4WD
6 = Lt. Duty DODGE 4WD
2 = Med. Duty DODGE 2WD
7 = Med. Duty DODGE 4WD
4 = TRUCK

BODY

12 = Van 140"
51 = Wagon 118"
52 = Wagon 140"
14 = Van 118"
15 = Van 140"
16 = Van 158"
54 = Wagon 118"
55 = Wagon 140"
56 = Wagon 158"
01 = Chassis Forward Control 118"
02 = Chassis Forward Control 140"
06 = Front Section 158"
11 = Van 118"

ENGINE

EX8 = Engine - 2.7L I5 Mercedes-Benz TD

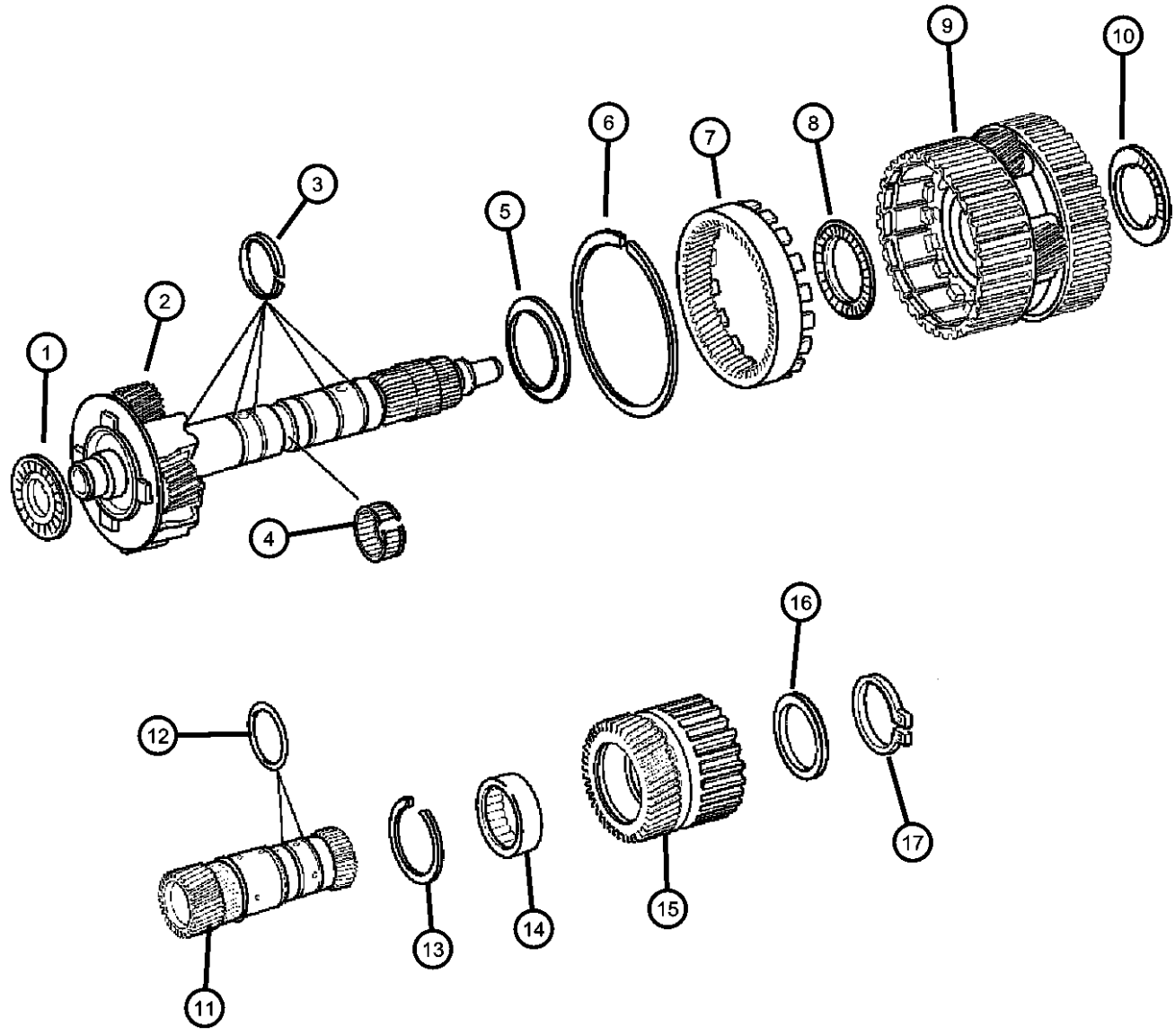
TRANSMISSION

DGJ = Transmission - 5-Spd Auto, MB

AR = use ase required - = Non illustrated part

2005 VA

**Center & Rear Planetary Set - Output Shaft - [MPLS/HPLS]
Figure NAG1-450**



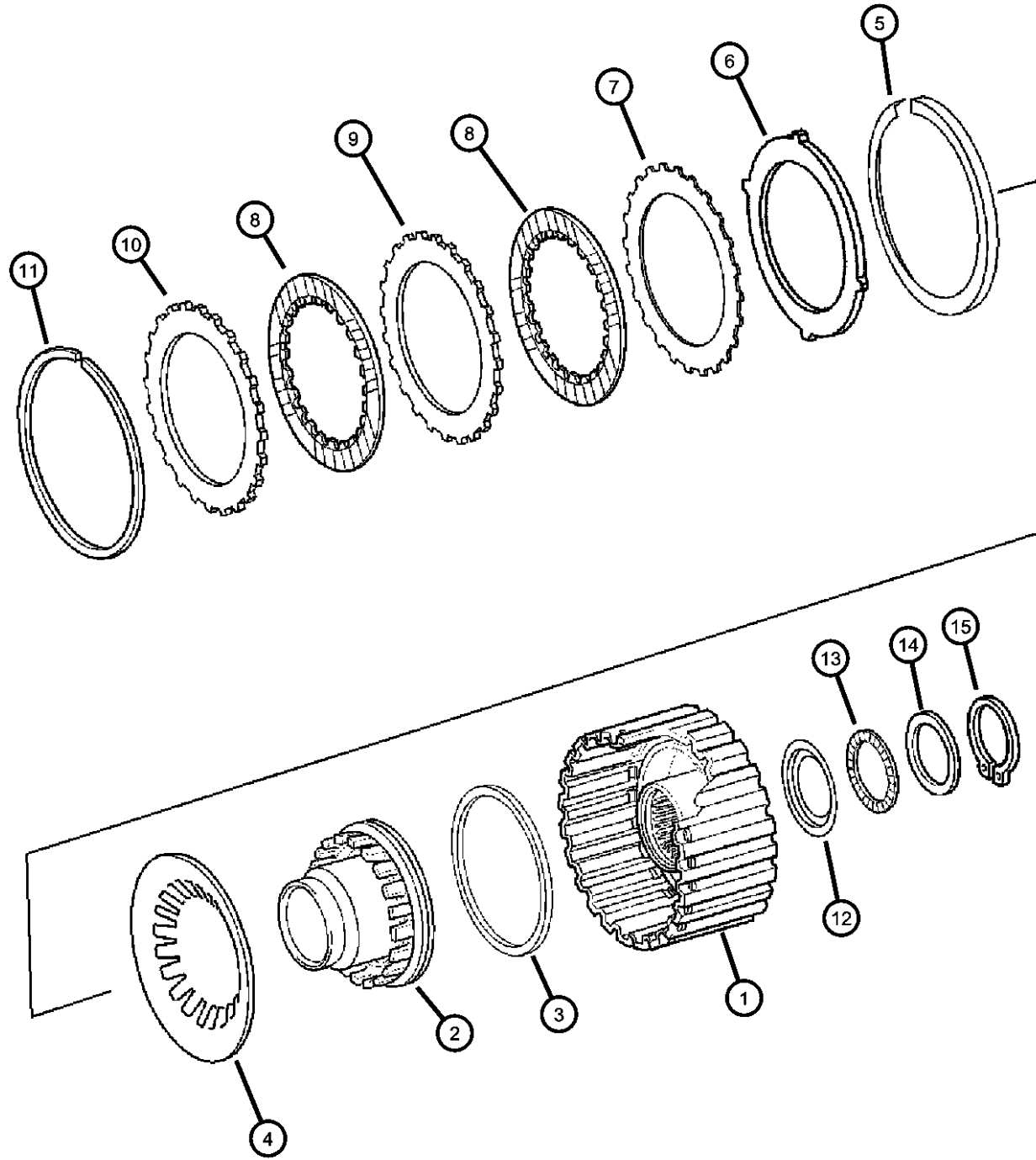
ITEM	PART NUMBER	QTY	LINE	SERIES	BODY	ENGINE	TRANS	TRIM	DESCRIPTION
NOTE: Sales Codes: [DGJ]=5 Speed Automatic Transmission - [NAG1] - [W5A380]									
1									BEARING, Thrust
	05138437AA	1	2, 3, 6, 7	L		EX8	DGJ		Optional With [05138438AA]
	05138438AA	1	2, 3, 6, 7	L		EX8	DGJ		Optional With [05138437AA]
2	52107929AA	1	2, 3, 6, 7	L		EX8	DGJ		SHAFT, Output
-3	52108390AA	1	2, 3, 6, 7	L		EX8	DGJ		BALL, Check
4	52108427AA	5	2, 3, 6, 7	L		EX8	DGJ		SEAL, Transmission
5	52108069AA	1	2, 3, 6, 7	L		EX8	DGJ		NEEDLE BEARING
6	52108070AA	1	2, 3, 6, 7	L		EX8	DGJ		PLATE
7	52108374AA	1	2, 3, 6, 7	L		EX8	DGJ		SNAP RING
8	52108376AA	1	2, 3, 6, 7	L		EX8	DGJ		GEAR, Annulus
9	52107931AA	1	2, 3, 6, 7	L		EX8	DGJ		NEEDLE BEARING
10	52108072AA	1	2, 3, 6, 7	L		EX8	DGJ		CARRIER, Planetary
11	52107932AA	1	2, 3, 6, 7	L		EX8	DGJ		NEEDLE BEARING
12	52108078AA	1	2, 3, 6, 7	L		EX8	DGJ		GEAR, Sun
13	52108085AA	2	2, 3, 6, 7	L		EX8	DGJ		SEAL, Transmission
14	52107966AA	1	2, 3, 6, 7	L		EX8	DGJ		SNAP RING
15	52108522AA	1	2, 3, 6, 7	L		EX8	DGJ		BEARING, Output Shaft
16	52108519AA	1	2, 3, 6, 7	L		EX8	DGJ		GEAR, Sun
17	52108379AA	1	2, 3, 6, 7	L		EX8	DGJ		SPACER
18	52107967AA	1	2, 3, 6, 7	L		EX8	DGJ		SNAP RING
19	52108084AA	1	2, 3, 6, 7	L		EX8	DGJ		BEARING



SPRINTER (VA)				
SERIES	LINE	BODY	ENGINE	TRANSMISSION
L = LOWLINE	3 = HD DODGE 2WD 8 = HD DODGE 4WD 6 = Lt. Duty DODGE 4WD 2 = Med. Duty DODGE 2WD 7 = Med. Duty DODGE 4WD 4 = TRUCK	12 = Van 140" 51 = Wagon 118" 52 = Wagon 140" 14 = Van 118" 15 = Van 140" 16 = Van 158" 54 = Wagon 118" 55 = Wagon 140" 56 = Wagon 158" 01 = Chassis Forward Control 118" 02 = Chassis Forward Control 140" 06 = Front Section 158" 11 = Van 118"	EX8 = Engine - 2.7L I5 Mercedes-Benz TD	DGJ = Transmission - 5-Spd Auto, MB

AR = use ase required - = Non illustrated part

Clutch - [K3]
Figure NAG1-460



ITEM	PART NUMBER	QTY	LINE	SERIES	BODY	ENGINE	TRANS	TRIM	DESCRIPTION
------	-------------	-----	------	--------	------	--------	-------	------	-------------

NOTE:

Sales Codes:

[DGJ]=5 Speed Automatic Transmission - [NAG1] - [W5A380]

1	52108524AA	1	2, 3, 6, 7	L		EX8	DGJ		RETAINER, Clutch
2	52108094AA	1	2, 3, 6, 7	L		EX8	DGJ		PISTON
3	52108093AA	1	2, 3, 6, 7	L		EX8	DGJ		SEAL, Transmission
4	52108095AA	1	2, 3, 6, 7	L		EX8	DGJ		DISC, Spring
5	52107968AA	1	2, 3, 6, 7	L		EX8	DGJ		SNAP RING
6	52108096AA	1	2, 3, 6, 7	L		EX8	DGJ		DISC, Spring
7	52108004AA	4		L					DISC, Outer, [1.8 MM]
8	52108528AA	4	2, 3, 6, 7	L		EX8	DGJ		DISC, Inner
9	52108529AA	4	2, 3, 6, 7	L		EX8	DGJ		DISC, Outer, [2.07 MM]
10	52108011AA	1	2, 3, 6, 7	L		EX8	DGJ		DISC, Outer, [4.0 MM]
11									SNAP RING
	52107970AA	1	2, 3, 6, 7	L		EX8	DGJ		[2.3 MM]
	52107971AA	0	2, 3, 6, 7	L		EX8	DGJ		[2.6 MM]
	52107972AA	0	2, 3, 6, 7	L		EX8	DGJ		[2.9 MM]
	52107973AA	1							[3.2 MM]
	52107974AA	0	2, 3, 6, 7	L		EX8	DGJ		[2.0 MM]
12	52108148AA	1	2, 3, 6, 7	L		EX8	DGJ		SPACER
13	52108152AA	1	2, 3, 6, 7	L		EX8	DGJ		NEEDLE BEARING
14									PLATE
	52108149AA	1	2, 3, 6, 7	L		EX8	DGJ		[3.7 MM]
	52108150AA	1	2, 3, 6, 7	L		EX8	DGJ		[3.1 MM]
	52108151AA	1	2, 3, 6, 7	L		EX8	DGJ		[3.4 MM]
15	06507358AA	1	2, 3, 6, 7	L		EX8	DGJ		RING

SPRINTER (VA)

SERIES

L = LOWLINE

LINE

3 = HD DODGE 2WD
8 = HD DODGE 4WD
6 = Lt. Duty DODGE 4WD
2 = Med. Duty DODGE 2WD
7 = Med. Duty DODGE 4WD
4 = TRUCK

BODY

12 = Van 140"
51 = Wagon 118"
52 = Wagon 140"
14 = Van 118"
15 = Van 140"
16 = Van 158"
54 = Wagon 118"
55 = Wagon 140"
56 = Wagon 158"
01 = Chassis Forward Control
118"
02 = Chassis Forward Control
140"
06 = Front Section 158"
11 = Van 118"

ENGINE

EX8 = Engine - 2.7L I5
Mercedes-Benz TD

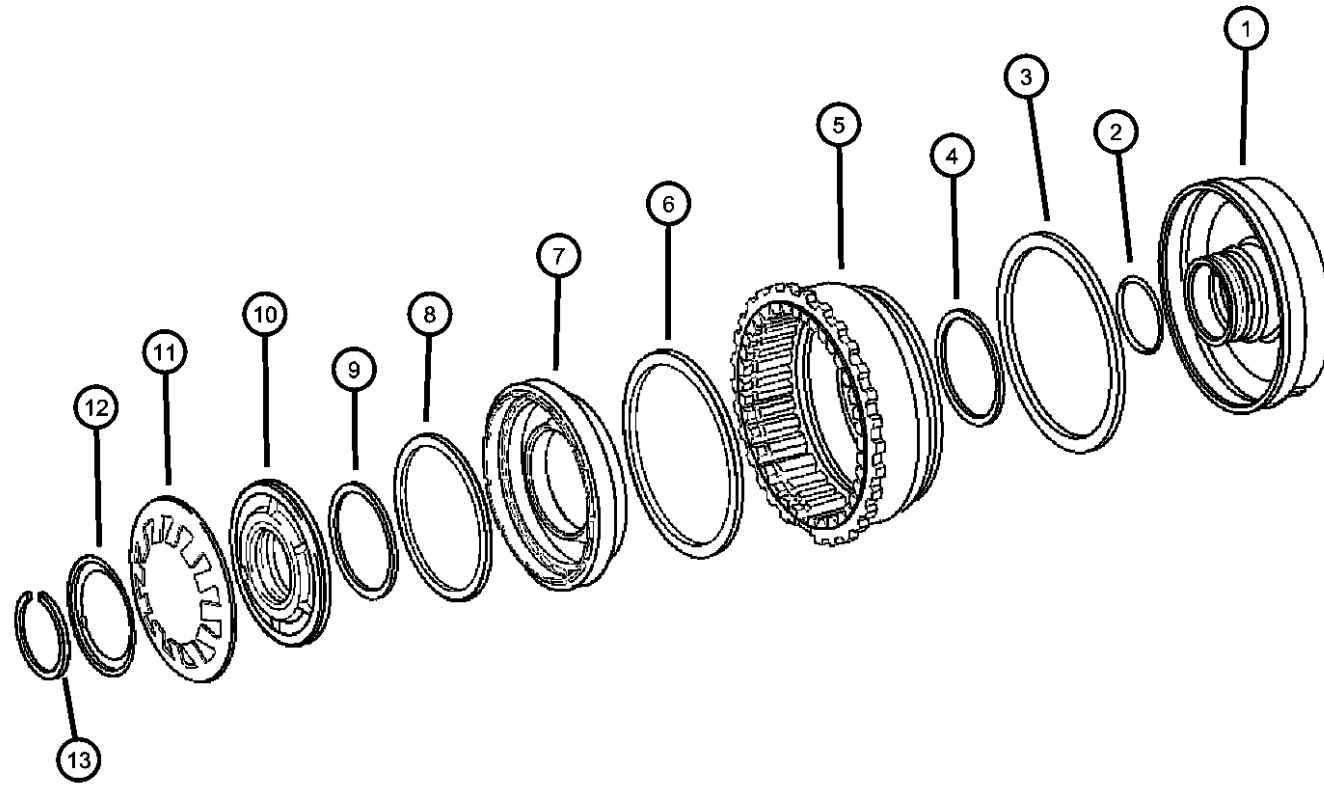
TRANSMISSION

DGJ = Transmission - 5-Spd Auto, MB

AR = use ase required - = Non illustrated part

2005 VA

**Multiple Disc Brake - [B2 & B3]
Figure NAG1-470**



ITEM	PART NUMBER	QTY	LINE	SERIES	BODY	ENGINE	TRANS	TRIM	DESCRIPTION
------	-------------	-----	------	--------	------	--------	-------	------	-------------

NOTE:
Sales Codes:
[DGJ]=5 Speed Automatic Transmission - [NAG1] - [W5A380]

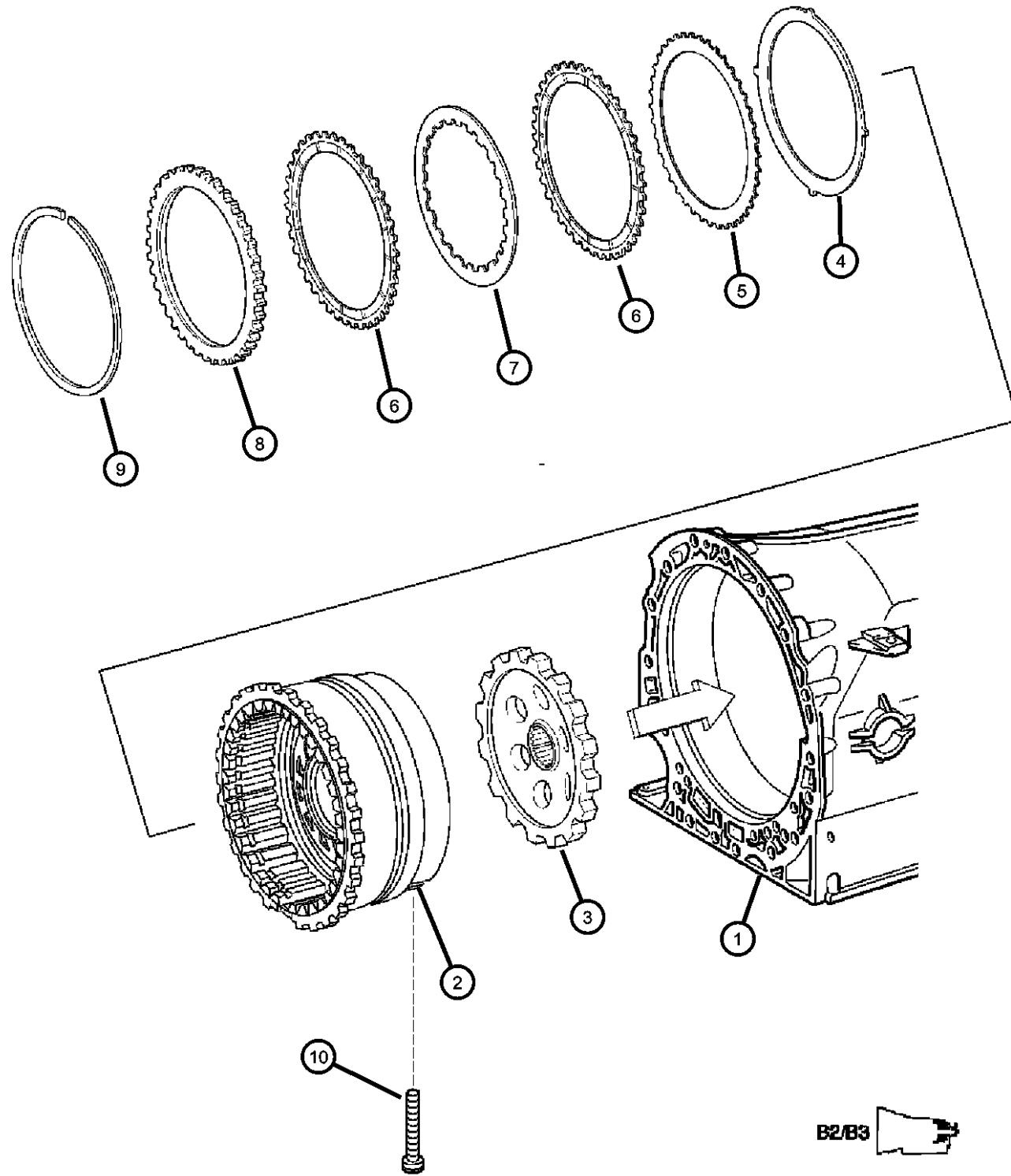
1	52108182AA	1	2, 3, 6, 7	L		EX8	DGJ		PLUNGER
2	52108185AA	2	2, 3, 6, 7	L		EX8	DGJ		SEAL, Transmission
3	52108188AA	1	2, 3, 6, 7	L		EX8	DGJ		SEAL, Transmission
4	52108189AA	1	2, 3, 6, 7	L		EX8	DGJ		SEAL, Transmission
5	52108395AA	1	2, 3, 6, 7	L		EX8	DGJ		PISTON
6	52108199AA	1	2, 3, 6, 7	L		EX8	DGJ		SEAL, Transmission
7	52108191AA	1	2, 3, 6, 7	L		EX8	DGJ		PISTON
8	52108200AA	1	2, 3, 6, 7	L		EX8	DGJ		SEAL, Transmission
9	52108201AA	1	2, 3, 6, 7	L		EX8	DGJ		SEAL, Transmission
10	52108351AA	1	2, 3, 6, 7	L		EX8	DGJ		RING, Piston
11	52108202AA	1	2, 3, 6, 7	L		EX8	DGJ		DISC, Spring
12	52108203AA	1	2, 3, 6, 7	L		EX8	DGJ		SPRING, Retainer
13	52107977AA	1	2, 3, 6, 7	L		EX8	DGJ		SNAP RING



SPRINTER (VA)				
SERIES	LINE	BODY	ENGINE	TRANSMISSION
L = LOWLINE	3 = HD DODGE 2WD 8 = HD DODGE 4WD 6 = Lt. Duty DODGE 4WD 2 = Med. Duty DODGE 2WD 7 = Med. Duty DODGE 4WD 4 = TRUCK	12 = Van 140" 51 = Wagon 118" 52 = Wagon 140" 14 = Van 118" 15 = Van 140" 16 = Van 158" 54 = Wagon 118" 55 = Wagon 140" 56 = Wagon 158" 01 = Chassis Forward Control 118" 02 = Chassis Forward Control 140" 06 = Front Section 158" 11 = Van 118"	EX8 = Engine - 2.7L I5 Mercedes-Benz TD	DGJ = Transmission - 5-Spd Auto, MB

AR = use ase required - = Non illustrated part

**Multiple Disc Brake - [B2 & B3]
Figure NAG1-480**



ITEM	PART NUMBER	QTY	LINE	SERIES	BODY	ENGINE	TRANS	TRIM	DESCRIPTION
------	-------------	-----	------	--------	------	--------	-------	------	-------------

NOTE: Drum Package Is Not Serviced In An Assembly. Please See Illustration [#470] Callouts [1,2,3,4 & 5] To Obtain Part Numbers
Sales Codes:

[DGJ]=5 Speed Automatic Transmission - [NAG1] - [W5A380]

1	52107977AA	1							CASE, Transmission, See Illustration [#210], (NOT SERVICED)
2	52107977AA	1							DRUM PACKAGE, Transmission, See Illustration [#470] Callout [#1,2,3,4 & 5], (NOT SERVICED)
3	52108180AA	1	2, 3, 6, 7	L		EX8	DGJ		LOCK, Parking Wheel
4	52108354AA	1	2, 3, 6, 7	L		EX8	DGJ		DISC, Spring
5	52108013AA	1	2, 3, 6, 7	L		EX8	DGJ		DISC, Outer, [1.8 MM]
6	52108572AA	5	2, 3, 6, 7	L		EX8	DGJ		DISC, Outer
7	52108015AA	4	2, 3, 6, 7	L		EX8	DGJ		DISC, Inner, [1.8 MM]
8	52108014AA	1	2, 3, 6, 7	L		EX8	DGJ		DISC, Outer, [6.5 MM]
9									SNAP RING
	52107979AA	1	2, 3, 6, 7	L		EX8	DGJ		[4.1 MM]
	52107980AA	1	2, 3, 6, 7	L		EX8	DGJ		[3.8 MM]
	52107981AA	1	2, 3, 6, 7	L		EX8	DGJ		[3.5 MM]
	52107982AA	1	2, 3, 6, 7	L		EX8	DGJ		[3.2 MM]
	52107983AA	1	2, 3, 6, 7	L		EX8	DGJ		[2.9 MM]
10	52108205AA	2	2, 3, 6, 7	L		EX8	DGJ		SCREW

SPRINTER (VA)

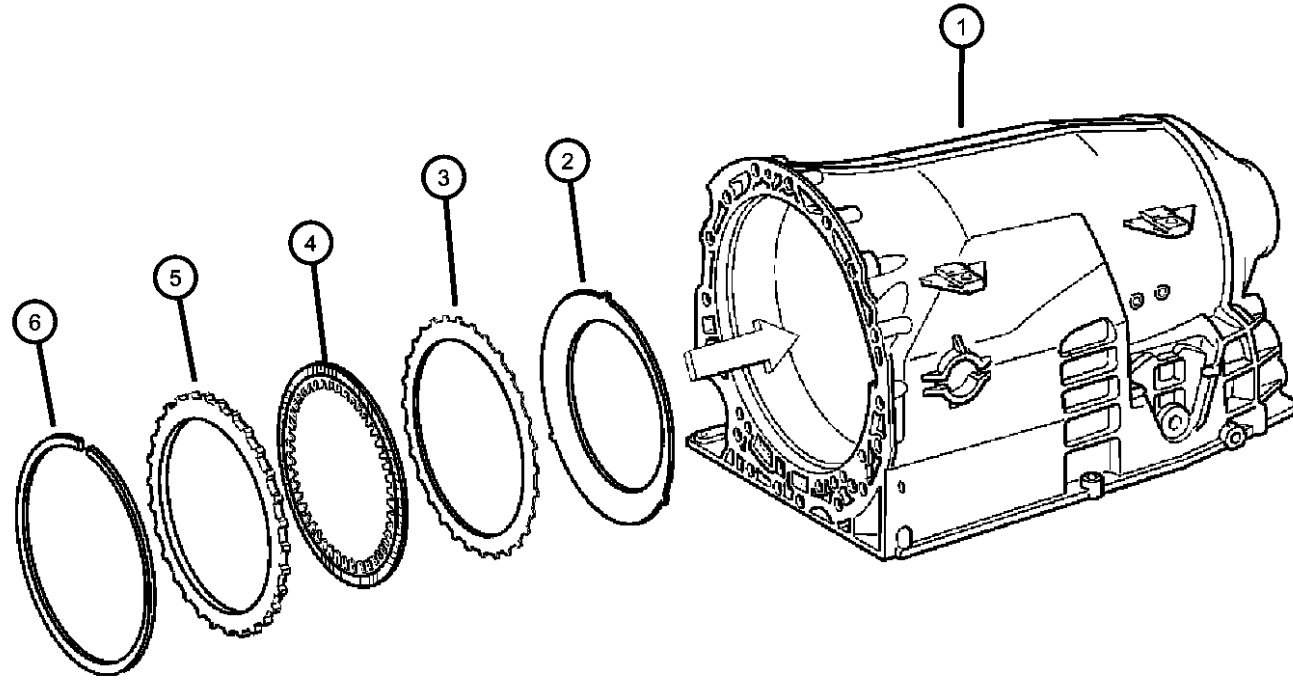
SERIES	LINE	BODY	ENGINE	TRANSMISSION
L = LOWLINE	3 = HD DODGE 2WD 8 = HD DODGE 4WD 6 = Lt. Duty DODGE 4WD 2 = Med. Duty DODGE 2WD 7 = Med. Duty DODGE 4WD 4 = TRUCK	12 = Van 140" 51 = Wagon 118" 52 = Wagon 140" 14 = Van 118" 15 = Van 140" 16 = Van 158" 54 = Wagon 118" 55 = Wagon 140" 56 = Wagon 158"	EX8 = Engine - 2.7L I5 Mercedes-Benz TD	DGJ = Transmission - 5-Spd Auto, MB
		01 = Chassis Forward Control 118"		
		02 = Chassis Forward Control 140"		
		06 = Front Section 158"		
		11 = Van 118"		

B2/B3

AR = use ase required - = Non illustrated part

2005 VA

**Multiple Disc Brake - [B2 & B3]
Figure NAG1-490**



ITEM	PART NUMBER	QTY	LINE	SERIES	BODY	ENGINE	TRANS	TRIM	DESCRIPTION
------	-------------	-----	------	--------	------	--------	-------	------	-------------

NOTE:
Sales Codes:
[DGJ]=5 Speed Automatic Transmission - [NAG1] - [W5A380]

1	52108205AA	2							HOUSING, Transmission Case, Serviced With Transmission Assembly, (NOT SERVICED)
2	52108356AA	1	2, 3, 6, 7	L		EX8	DGJ		DISC, Spring
3	52108017AA	5	2, 3, 6, 7	L		EX8	DGJ		DISC, Outer, [1.8 MM]
4	52108573AA	5	2, 3, 6, 7	L		EX8	DGJ		DISC, Inner
5	52108018AA	1	2, 3, 6, 7	L		EX8	DGJ		DISC, Outer, [6.5 MM]
6									SNAP RING
	52107985AA	1	2, 3, 6, 7	L		EX8	DGJ		[3.2 MM]
	52107986AA	1	2, 3, 6, 7	L		EX8	DGJ		[3.5 MM]
	52107987AA	1	2, 3, 6, 7	L		EX8	DGJ		[3.8 MM]
	52107988AA	1	2, 3, 6, 7	L		EX8	DGJ		[4.1 MM]
	52107989AA	1	2, 3, 6, 7	L		EX8	DGJ		[4.4 MM]
	52107990AA	1	2, 3, 6, 7	L		EX8	DGJ		[4.8 MM]

SPRINTER (VA)

SERIES	LINE	BODY	ENGINE	TRANSMISSION
L = LOWLINE	3 = HD DODGE 2WD 8 = HD DODGE 4WD 6 = Lt. Duty DODGE 4WD 2 = Med. Duty DODGE 2WD 7 = Med. Duty DODGE 4WD 4 = TRUCK	12 = Van 140" 51 = Wagon 118" 52 = Wagon 140" 14 = Van 118" 15 = Van 140" 16 = Van 158" 54 = Wagon 118" 55 = Wagon 140" 56 = Wagon 158" 01 = Chassis Forward Control 118" 02 = Chassis Forward Control 140" 06 = Front Section 158" 11 = Van 118"	EX8 = Engine - 2.7L I5 Mercedes-Benz TD	DGJ = Transmission - 5-Spd Auto, MB



AR = use ase required - = Non illustrated part

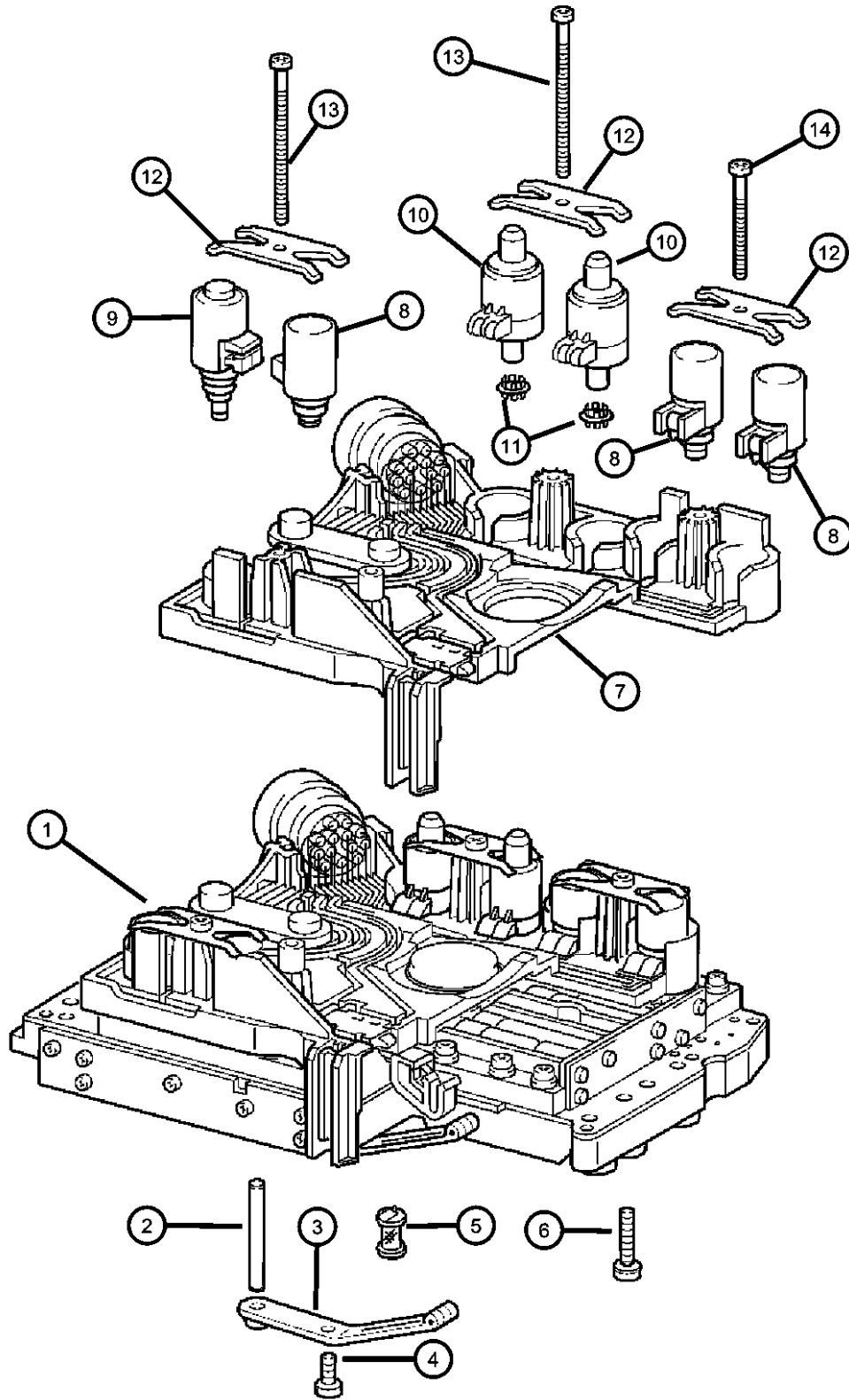
**Electronic - Hydraulic Control
Figure NAG1-710**

ITEM	PART NUMBER	QTY	LINE	SERIES	BODY	ENGINE	TRANS	TRIM	DESCRIPTION
------	-------------	-----	------	--------	------	--------	-------	------	-------------

NOTE: Valve Body Connector Includes Speed Sensor
Sales Codes:

[DGJ]=5 Speed Automatic Transmission - [NAG1] - [W5A380]

1	05080262AA	1	2, 3, 6, 7	L		EX8	DGJ		VALVE BODY, Complete
2	05098951AA	1	2, 3, 6, 7	L		EX8	DGJ		DOWEL
3	52108258AA	1	2, 3, 6, 7	L		EX8	DGJ		SPRING
4	52108266AA	1	2, 3, 6, 7	L		EX8	DGJ		SCREW
5	52108304AA	1	2, 3, 6, 7	L		EX8	DGJ		FILTER, Transmission Oil
6	52108267AA	10	2, 3, 6, 7	L		EX8	DGJ		SCREW
7									VALVE BODY
	05080451AA	1	2, 3, 6, 7	L		EX8	DGJ		Optional With [05097219AA]
	05097219AA	1	2, 3, 6, 7	L		EX8	DGJ		Optional With [05080451AA]
8	05134760AA	3	2, 3, 6, 7	L		EX8	DGJ		SOLENOID, Transmission
9	52108314AA	1	2, 3, 6, 7	L		EX8	DGJ		SOLENOID, Transmission
10	05138838AA	2	2, 3, 6, 7	L		EX8	DGJ		SOLENOID, Transmission
11	52108316AA	2	2, 3, 6, 7	L		EX8	DGJ		FILTER, Transmission Oil
12	52108315AA	3	2, 3, 6, 7	L		EX8	DGJ		PLATE
13	52108268AA	2	2, 3, 6, 7	L		EX8	DGJ		SCREW
14	52108269AA	1	2, 3, 6, 7	L		EX8	DGJ		SCREW



SPRINTER (VA)

SERIES

L = LOWLINE

LINE

3 = HD DODGE 2WD
8 = HD DODGE 4WD
6 = Lt. Duty DODGE 4WD
2 = Med. Duty DODGE 2WD
7 = Med. Duty DODGE 4WD
4 = TRUCK

BODY

12 = Van 140"
51 = Wagon 118"
52 = Wagon 140"
14 = Van 118"
15 = Van 140"
16 = Van 158"
54 = Wagon 118"
55 = Wagon 140"
56 = Wagon 158"
01 = Chassis Forward Control 118"
02 = Chassis Forward Control 140"
06 = Front Section 158"
11 = Van 118"

ENGINE

EX8 = Engine - 2.7L I5
Mercedes-Benz TD

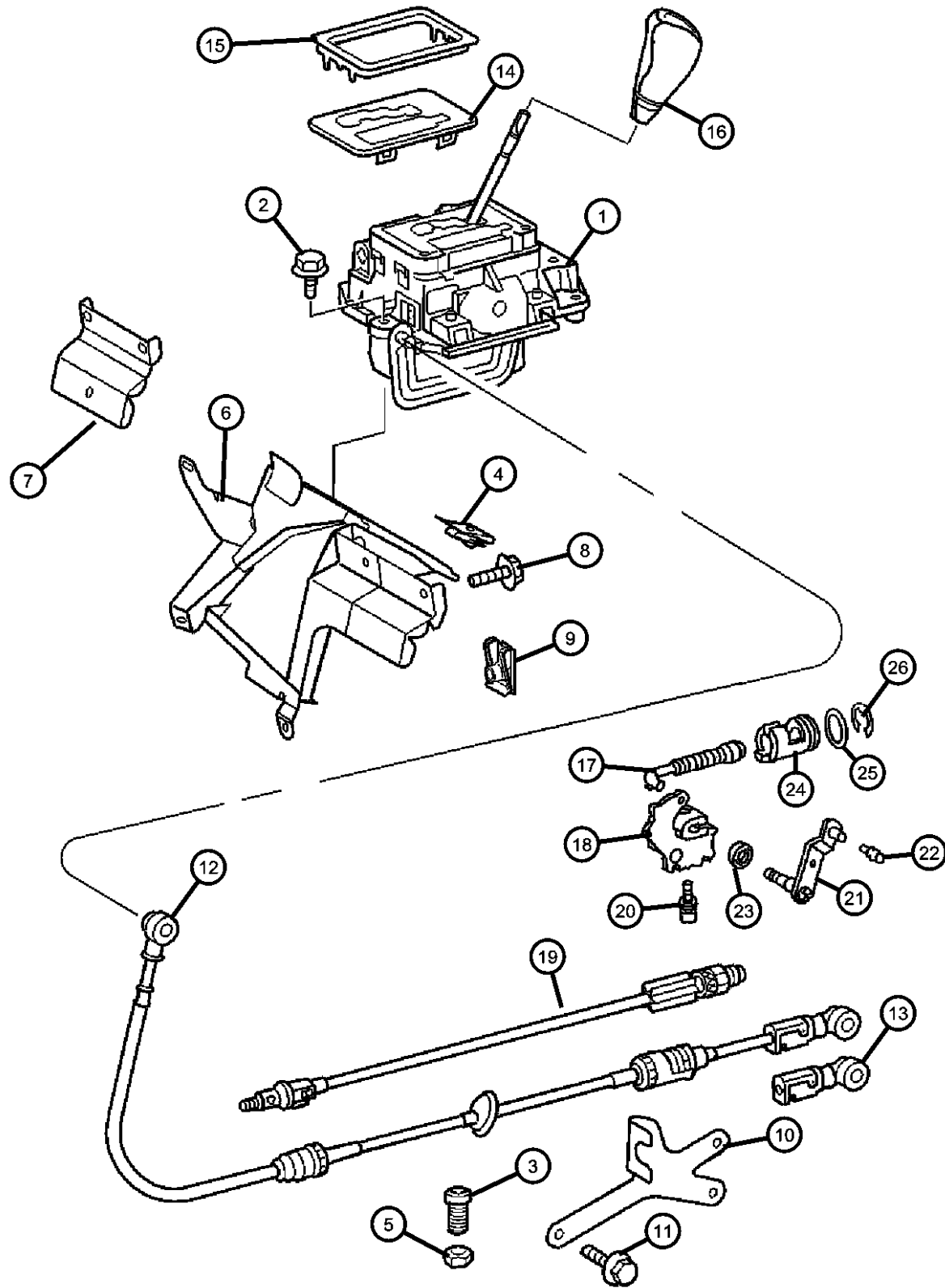
TRANSMISSION

DGJ = Transmission - 5-Spd Auto, MB

AR = use ase required - = Non illustrated part

2005 VA

**Gear Shift Control
Figure NAG1-1210**



ITEM	PART NUMBER	QTY	LINE	SERIES	BODY	ENGINE	TRANS	TRIM	DESCRIPTION
------	-------------	-----	------	--------	------	--------	-------	------	-------------

NOTE:

Sales Codes:

[DGJ]=5 Speed Automatic Transmission - [NAG1] - [W5A380]

1	05104040AA	1	3, 7	L			DGJ		SHIFTER, Transmission Without [BNB]
	05135728AA	1	2, 6	L		EX8	DGJ		With [BNB]
2	05133476AB	3	2, 6	L		EX8	DGJ		SCREW
		3	3, 7	L		EX8	DGJ		
3	06104142AA	2	2, 6	L		EX8	DGJ		SCREW
		2	3, 7	L		EX8	DGJ		
4	05103733AA	3	2, 6	L		EX8	DGJ		NUT
		3	3, 7	L		EX8	DGJ		
5	05126253AA	2	2, 6	L		EX8	DGJ		NUT
		2	3, 7	L		EX8	DGJ		
6	05117814AA	1	2, 6	L		EX8	DGJ		SUPPORT
		1	3, 7	L		EX8	DGJ		
7	05122893AA	1	2, 6	L		EX8	DGJ		BRACKET, Transmission Shifter
		1	3, 7	L		EX8	DGJ		
8	05126227AA	6	3, 7	L		EX8	DGJ		BOLT, Hex Head
		6	2, 6	L		EX8	DGJ		
9	05125859AA	1	2, 6	L		EX8	DGJ		U-NUT

SPRINTER (VA)

SERIES

L = LOWLINE

LINE

3 = HD DODGE 2WD
8 = HD DODGE 4WD
6 = Lt. Duty DODGE 4WD
2 = Med. Duty DODGE 2WD
7 = Med. Duty DODGE 4WD
4 = TRUCK

BODY

12 = Van 140"
51 = Wagon 118"
52 = Wagon 140"
14 = Van 118"
15 = Van 140"
16 = Van 158"
54 = Wagon 118"
55 = Wagon 140"
56 = Wagon 158"
01 = Chassis Forward Control
118"
02 = Chassis Forward Control
140"
06 = Front Section 158"
11 = Van 118"

ENGINE

EX8 = Engine - 2.7L I5
Mercedes-Benz TD

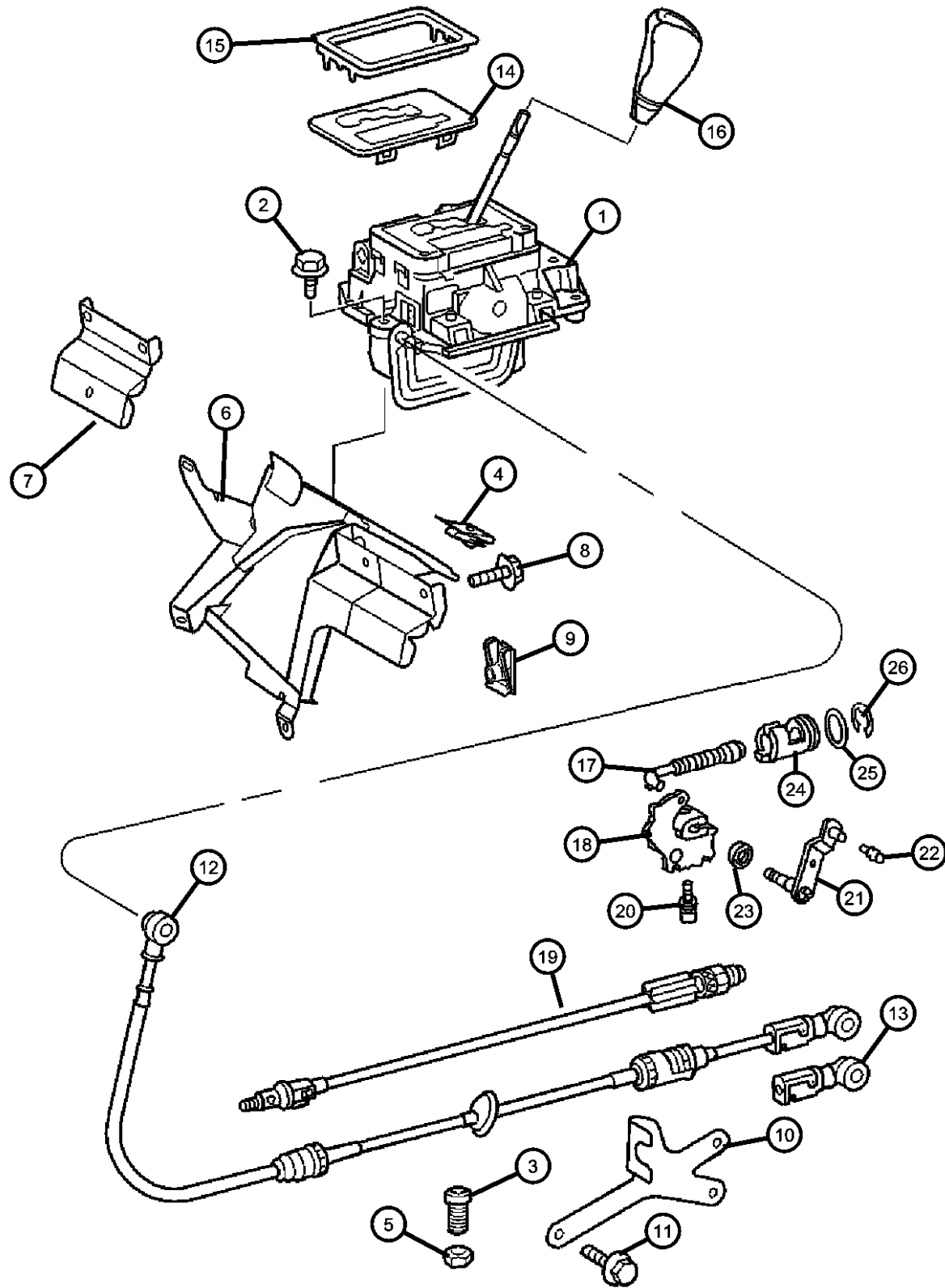
TRANSMISSION

DGJ = Transmission - 5-Spd Auto, MB

AR = use ase required - = Non illustrated part

2005 VA

**Gear Shift Control
Figure NAG1-1210**



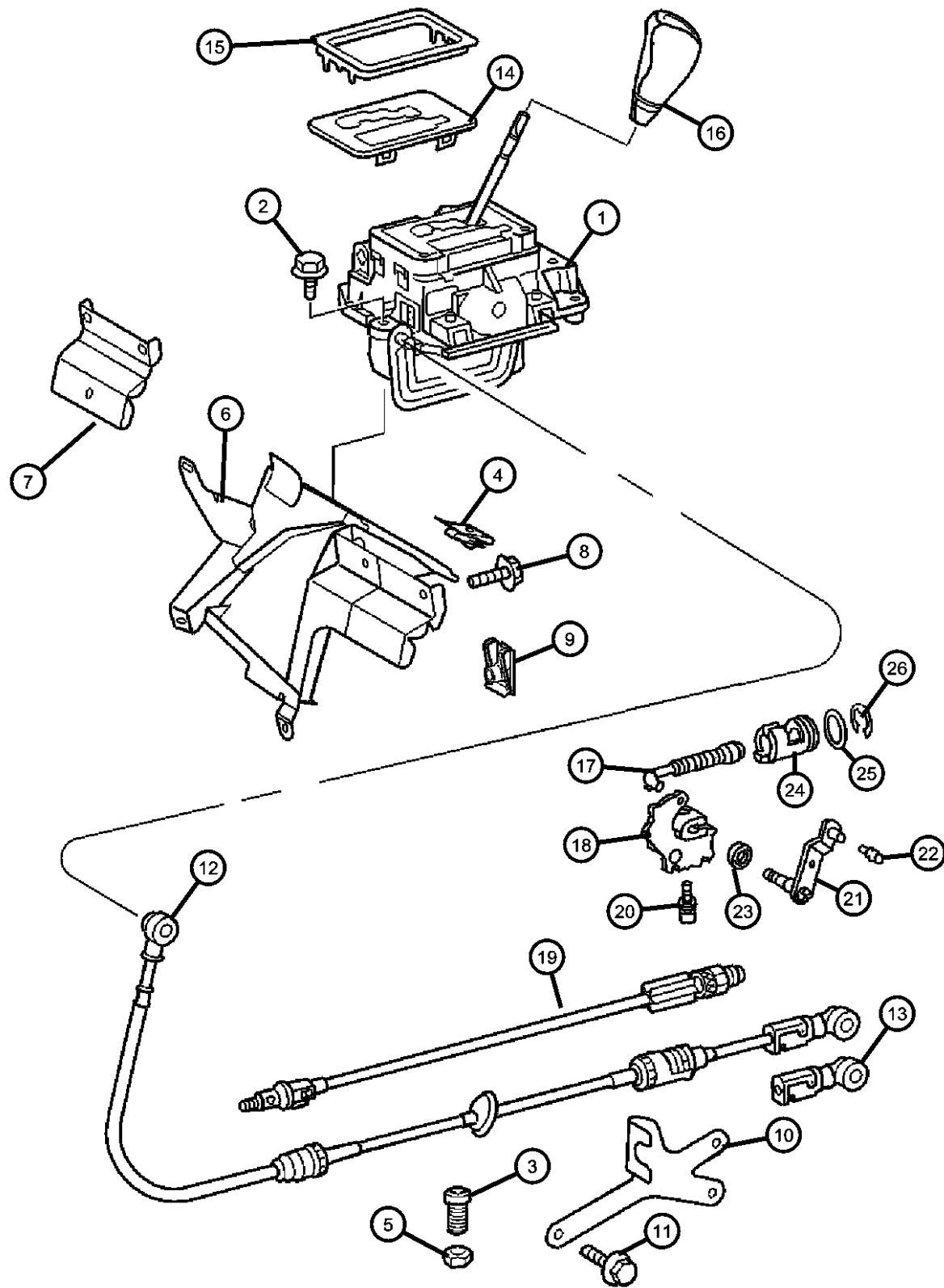
ITEM	PART NUMBER	QTY	LINE	SERIES	BODY	ENGINE	TRANS	TRIM	DESCRIPTION
10	05117826AA	1	3, 7	L		EX8	DGJ		BRACKET, Gearshift
11	05126101AA	1	2, 6	L		EX8	DGJ		BOLT, Hex Head
12	05104039AA	1	2, 6	L		EX8	DGJ		CABLE, Gear Selector
13	05104044AA	1	2, 6	L		EX8	DGJ		RETAINER, Transmission Control Shift
14	05104041AA	1	2, 6	L		EX8	DGJ		COVER, Gearshift
15		1							TRIM, See Center Console, (NOT SERVICED)
16	05117825AA	1	2, 6	L		EX8	DGJ		KNOB, Gearshift
17	52108166AA	1	2, 3, 6, 7	L		EX8	DGJ		LINKAGE, Transmission
18	05099886AA	1	2, 3, 6, 7	L		EX8	DGJ		DETENT, Gearshift
19	05104043AA	1	3, 7	L		EX8	DGJ		CABLE, Park Interlock
20	52108178AA	1	2, 3, 6, 7	L		EX8	DGJ		SCREW
21	05117845AA	1	2, 3, 6, 7	L		EX8	DGJ		LEVER, Gearshift

SPRINTER (VA)

SERIES	LINE	BODY	ENGINE	TRANSMISSION
L = LOWLINE	3 = HD DODGE 2WD 8 = HD DODGE 4WD 6 = Lt. Duty DODGE 4WD 2 = Med. Duty DODGE 2WD 7 = Med. Duty DODGE 4WD 4 = TRUCK	12 = Van 140" 51 = Wagon 118" 52 = Wagon 140" 14 = Van 118" 15 = Van 140" 16 = Van 158" 54 = Wagon 118" 55 = Wagon 140" 56 = Wagon 158" 01 = Chassis Forward Control 118" 02 = Chassis Forward Control 140" 06 = Front Section 158" 11 = Van 118"	EX8 = Engine - 2.7L I5 Mercedes-Benz TD	DGJ = Transmission - 5-Spd Auto, MB

AR = use ase required - = Non illustrated part

**Gear Shift Control
Figure NAG1-1210**



ITEM	PART NUMBER	QTY	LINE	SERIES	BODY	ENGINE	TRANS	TRIM	DESCRIPTION
22	05096975AA	1	2, 3, 6, 7	L		EX8	DGJ		PIVOT
23	52108170AA	1	2, 3, 6, 7	L		EX8	DGJ		SEAL, Transmission
24	52108176AA	1	2, 3, 6, 7	L		EX8	DGJ		GUIDE
25	52108177AA	1	2, 3, 6, 7	L		EX8	DGJ		SEAL, Transmission
26	52107976AA	1	2, 3, 6, 7	L		EX8	DGJ		SNAP RING

SPRINTER (VA)

SERIES

L = LOWLINE

LINE

3 = HD DODGE 2WD
 8 = HD DODGE 4WD
 6 = Lt. Duty DODGE 4WD
 2 = Med. Duty DODGE 2WD
 7 = Med. Duty DODGE 4WD
 4 = TRUCK

BODY

12 = Van 140"
 51 = Wagon 118"
 52 = Wagon 140"
 14 = Van 118"
 15 = Van 140"
 16 = Van 158"
 54 = Wagon 118"
 55 = Wagon 140"
 56 = Wagon 158"
 01 = Chassis Forward Control
 118"
 02 = Chassis Forward Control
 140"
 06 = Front Section 158"
 11 = Van 118"

ENGINE

EX8 = Engine - 2.7L I5
 Mercedes-Benz TD

TRANSMISSION

DGJ = Transmission - 5-Spd Auto, MB

AR = use ase required - = Non illustrated part

2005 VA

Group - 22

Wheels, Covers and Jacks

Group - 22 Wheels, Covers and Jacks

Illustration Title

Group-Fig. No.

Wheels and Hardware

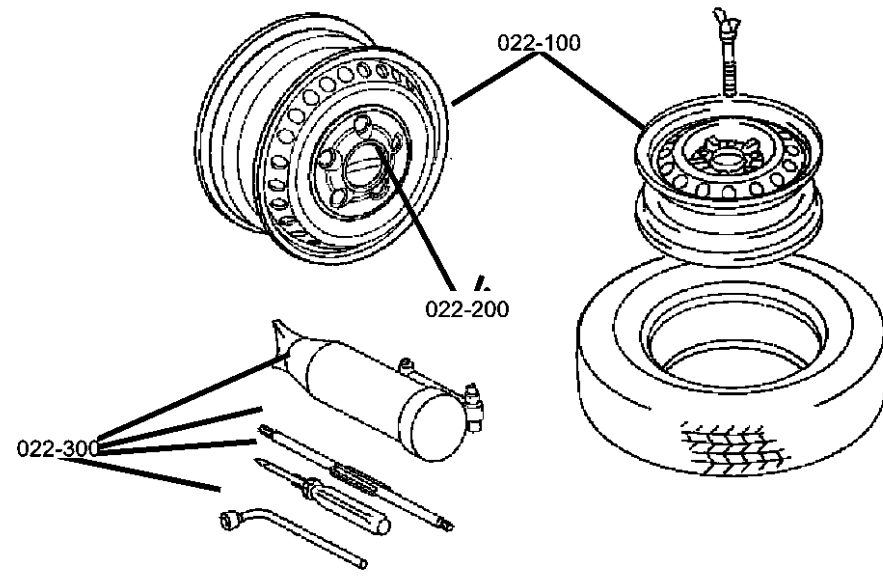
Wheels And HardwareFig. 22 - 120

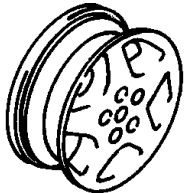
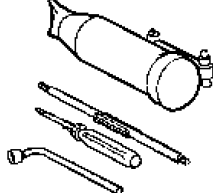
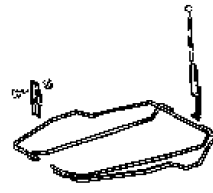
Jack Stowage

Jack and Stowage.....Fig. 22 - 340

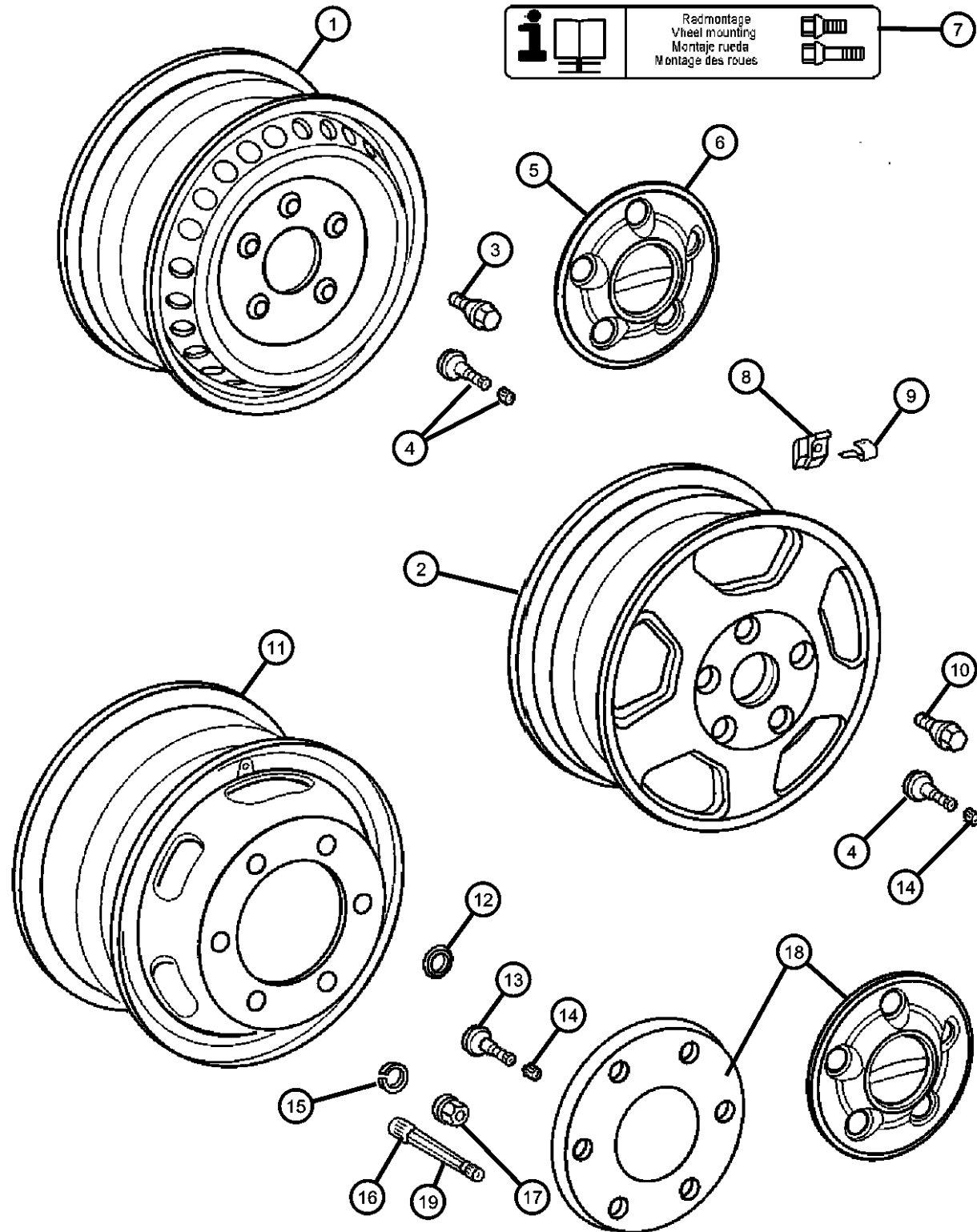
Spare Tire Stowage

Wheel, SpareFig. 22 - 430



<p>022-100 Wheels and Hardware</p> 	<p>022-300 Jack Stowage</p> 	<p>022-400 Spare Tire Stowage</p> 	
---	--	---	--

Wheels And Hardware
Figure 22-120



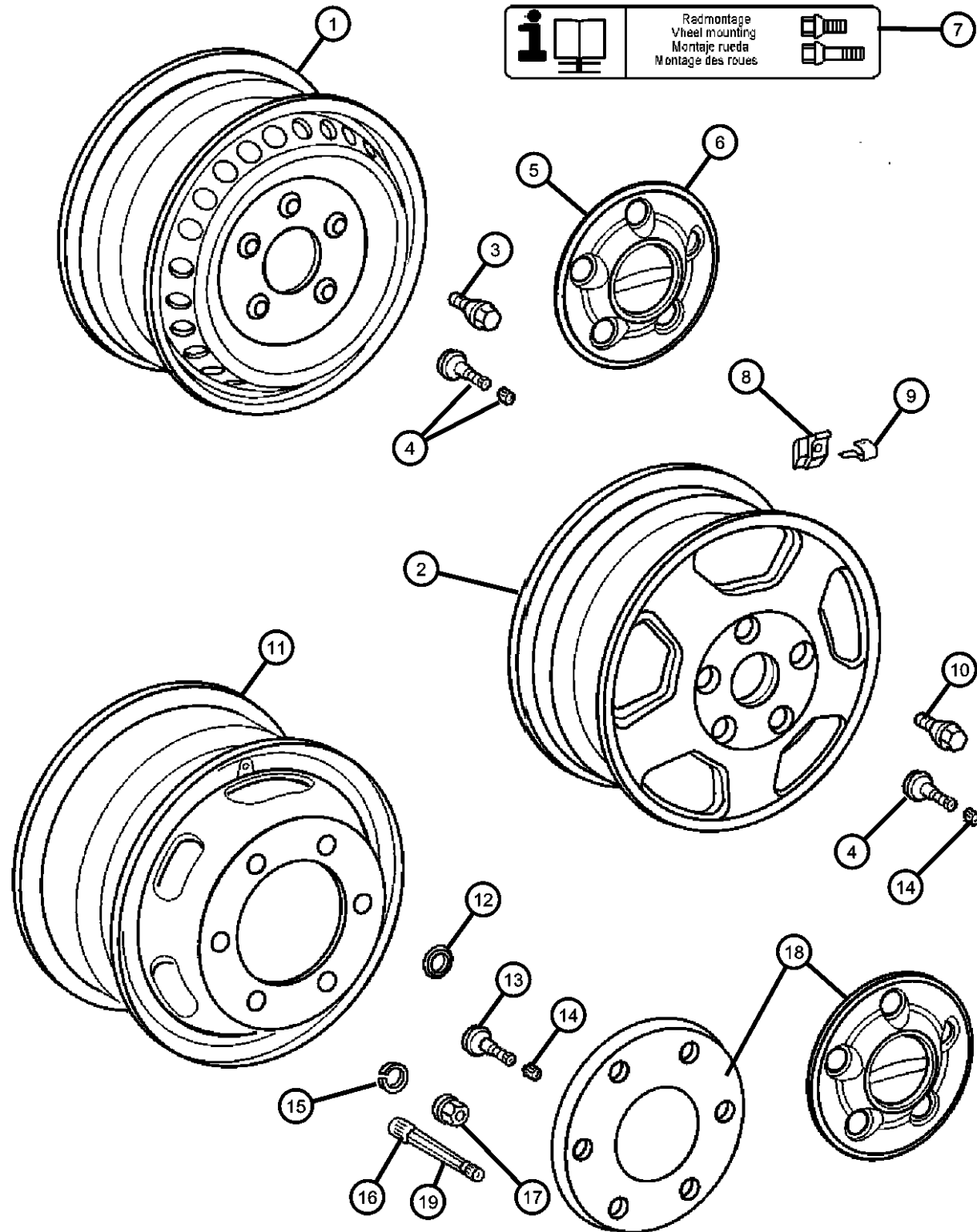
	Redmontage Wheel mounting Montaje rueda Montage des roues			7
--	--	--	--	---

ITEM	PART NUMBER	QTY	LINE	SERIES	BODY	ENGINE	TRANS	TRIM	DESCRIPTION
1	05103605AA	2	2, 6	L	11, 12, 14, 15, 16				WHEEL [WCL+WWW]
	05104581AA	2	3, 7	L	02, 06				[WCD]
	05128908AA	2	2, 6	L	01, 02, 06				[WDG+WWA+4Z1,4XS]
		2	2, 6	L	11, 12, 14, 15, 16				[WDG+WWA+4Z1,4XS]
		2	2, 6	L	51, 52, 54, 55, 56				[WDG+WWA+4Z1,4XS]
	05128911AA	2	3, 7	L	12, 15, 16				[WCD]
		2	2, 6	L	11, 12, 14, 15, 16				[WDG+4Z1,4XS]
		2	2, 6	L	51, 52, 54, 55, 56				[WDG+4Z1,4XS]
	05142364AA	2	3, 7	L	02, 06				[WDG+4JR]
		2	2, 6	L	01, 02, 06				[WDG+4Z1,4XS]
	05166588AA	2	3, 7	L	02, 06				[WDG+4JR+WWA]
2	05140692AA	2	2, 6	L	51, 52, 54, 55, 56				WHEEL, Aluminum [WWB] [16X6.5]
		2	2, 6	L	11, 12, 14, 15, 16				[WWB] [16X6.5]
3	05104080AA	20	2, 6	L	11, 12, 14, 15, 16				BOLT
		20	2, 6	L	51, 52, 54, 55, 56				
		20	2, 6	L	01, 02, 06				
4	05103629AA	99	2, 6	L	01, 02, 06				STEM, Wheel Valve
		99	2, 6	L	11, 12, 14, 15, 16				
		99	2, 6	L	51, 52, 54, 55, 56				
5									CAP, Wheel Center

SPRINTER (VA)								
SERIES	LINE	BODY	ENGINE	TRANSMISSION				
L = LOWLINE	3 = HD DODGE 2WD 8 = HD DODGE 4WD 6 = Lt. Duty DODGE 4WD 2 = Med. Duty DODGE 2WD 7 = Med. Duty DODGE 4WD 4 = TRUCK	12 = Van 140" 51 = Wagon 118" 52 = Wagon 140" 14 = Van 118" 15 = Van 140" 16 = Van 158" 54 = Wagon 118" 55 = Wagon 140" 56 = Wagon 158" 01 = Chassis Forward Control 118" 02 = Chassis Forward Control 140" 06 = Front Section 158" 11 = Van 118"	EX8 = Engine - 2.7L I5 Mercedes-Benz TD	DGJ = Transmission - 5-Spd Auto, MB				

AR = use ase required - = Non illustrated part

Wheels And Hardware
Figure 22-120



ITEM	PART NUMBER	QTY	LINE	SERIES	BODY	ENGINE	TRANS	TRIM	DESCRIPTION
	05104571AA	4	6	L	01, 02, 06				
		4	6	L	11, 12, 14, 15, 16				
		4	6	L	51, 52, 54, 55, 56				
	05104582AA	2	7	L	02, 06				
		2	7	L	12, 15, 16				
	05128954AA	4	2	L	01, 02, 06				
		4	2	L	11, 12, 14, 15, 16				
		4	2	L	51, 52, 54, 55, 56				
6									CAP, Wheel Center
	05104582AA	2	7	L	02, 06				
		2	7	L	12, 15, 16				
7									LABEL
	05129737AA	1	2, 6	L	01, 02, 06				
		1	2, 6	L	11, 12, 14, 15, 16				
		1	2, 6	L	51, 52, 54, 55, 56				
8		1							WEIGHT, Balance, Perf Part, (NOT SERVICED)
9		1							BRACKET, (NOT SERVICED)
10									BOLT
	05104018AA	20	2, 6	L	01, 02, 06				
		20	2, 6	L	11, 12, 14, 15, 16				
		20	2, 6	L	51, 52, 54, 55, 56				
11									WHEEL
	05104581AA	2	3, 7	L	02, 06				
		2	3, 7	L	12, 15, 16				

SPRINTER (VA)

SERIES

L = LOWLINE

LINE

3 = HD DODGE 2WD
8 = HD DODGE 4WD
6 = Lt. Duty DODGE 4WD
2 = Med. Duty DODGE 2WD
7 = Med. Duty DODGE 4WD
4 = TRUCK

BODY

12 = Van 140"
51 = Wagon 118"
52 = Wagon 140"
14 = Van 118"
15 = Van 140"
16 = Van 158"
54 = Wagon 118"
55 = Wagon 140"
56 = Wagon 158"
01 = Chassis Forward Control 118"
02 = Chassis Forward Control 140"
06 = Front Section 158"
11 = Van 118"

ENGINE

EX8 = Engine - 2.7L I5
Mercedes-Benz TD

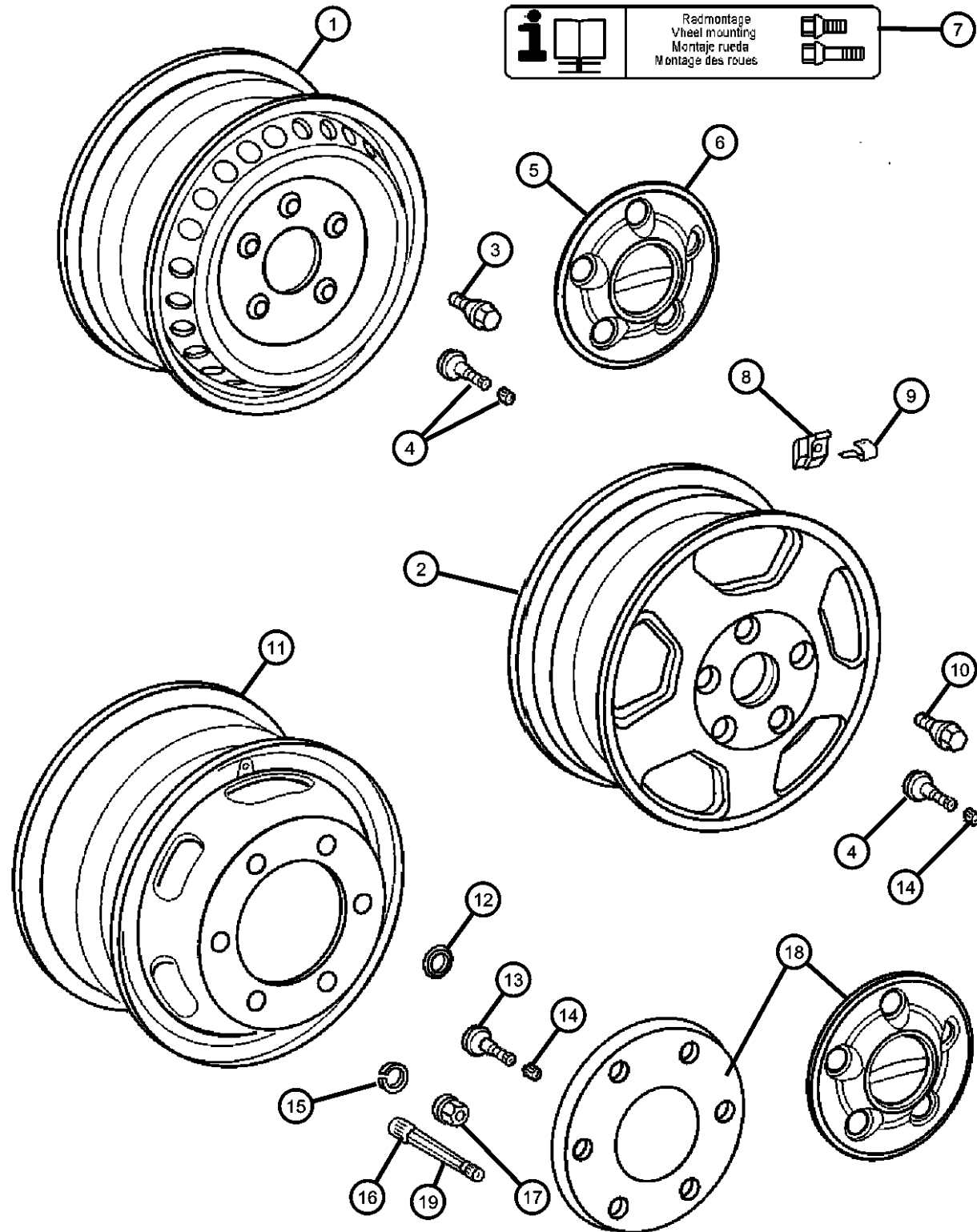
TRANSMISSION

DGJ = Transmission - 5-Spd Auto, MB

AR = use ase required - = Non illustrated part

2005 VA

Wheels And Hardware
Figure 22-120



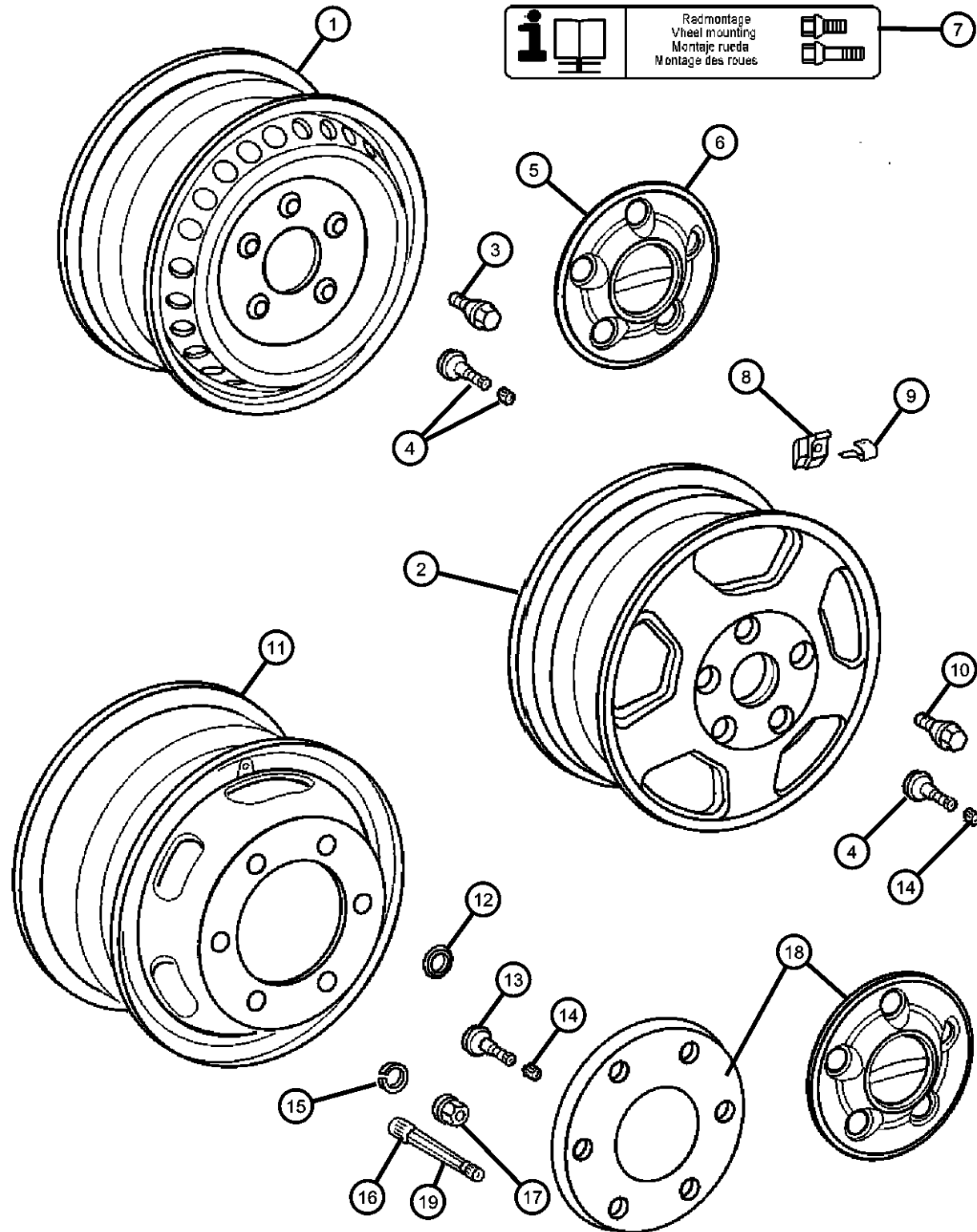
	Redmontage Wheel mounting Montaje rueda Montage des roues		7
--	--	--	---

ITEM	PART NUMBER	QTY	LINE	SERIES	BODY	ENGINE	TRANS	TRIM	DESCRIPTION
12	05103941AA	12	3, 7	L	02, 06				WASHER
		12	3, 7	L	12, 15, 16				
13	05103628AA	2	2, 6	L	01, 02, 06				STEM, Wheel Valve
		2	2, 6	L	11, 12, 14, 15, 16				
		2	2, 6	L	51, 52, 54, 55, 56				
		2	3, 7	L	02, 06				
		2	3, 7	L	12, 15, 16				
14	05104630AA	99	2, 6	L	01, 02, 06				CAP, Valve stem
		99	2, 6	L	11, 12, 14, 15, 16				
		99	3, 7	L	02, 06				
		99	3, 7	L	12, 15, 16				
		99	2, 6	L	51, 52, 54, 55, 56				
15	05104538AA	12	3, 7	L	02, 06				WASHER, Lock
		12	3, 7	L	12, 15, 16				
16	05118963AA	2	3, 7	L	02, 06				STEM, Wheel Valve
		2	3, 7	L	12, 15, 16				
17	05104651AA	12	3, 7	L	02, 06				NUT
		12	3, 7	L	12, 15, 16				
18	05104570AA	4	2, 6	L	01, 02, 06				COVER, Wheel [WWB]

SPRINTER (VA)				
SERIES	LINE	BODY	ENGINE	TRANSMISSION
L = LOWLINE	3 = HD DODGE 2WD 8 = HD DODGE 4WD 6 = Lt. Duty DODGE 4WD 2 = Med. Duty DODGE 2WD 7 = Med. Duty DODGE 4WD 4 = TRUCK	12 = Van 140" 51 = Wagon 118" 52 = Wagon 140" 14 = Van 118" 15 = Van 140" 16 = Van 158" 54 = Wagon 118" 55 = Wagon 140" 56 = Wagon 158" 01 = Chassis Forward Control 118" 02 = Chassis Forward Control 140" 06 = Front Section 158" 11 = Van 118"	EX8 = Engine - 2.7L I5 Mercedes-Benz TD	DGJ = Transmission - 5-Spd Auto, MB

AR = use ase required - = Non illustrated part

Wheels And Hardware
Figure 22-120



	Redmontage Wheel mounting Montaje rueda Montage des roues		7
--	--	--	---

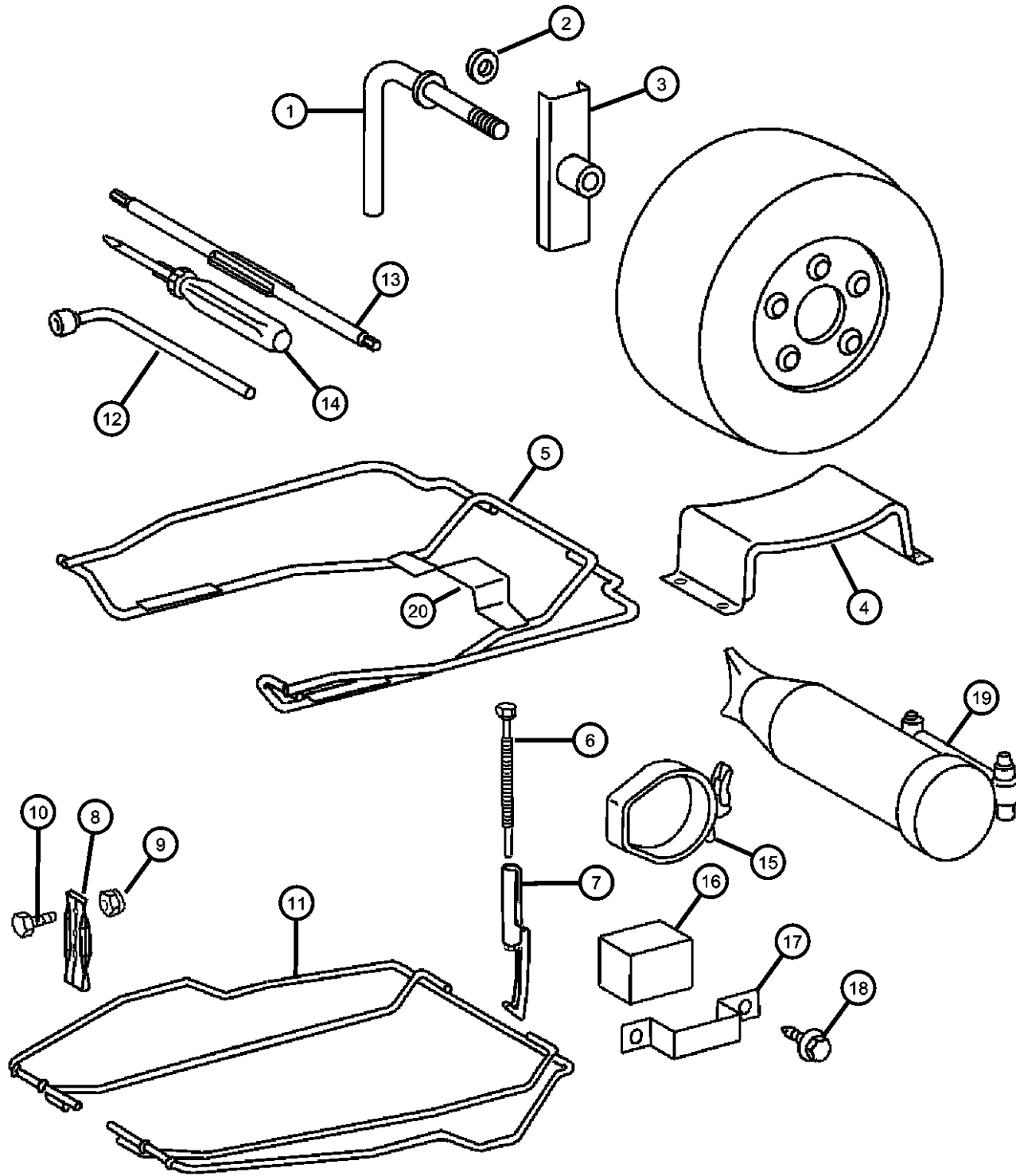
ITEM	PART NUMBER	QTY	LINE	SERIES	BODY	ENGINE	TRANS	TRIM	DESCRIPTION
		4	2, 6	L	11, 12, 14, 15, 16				[WWB]
		4	2, 6	L	51, 52, 54, 55, 56				[WWB]
	05114454AA	2	3	L	02, 06				
19	05166591AA	2	3, 7	L	12, 15, 16 02, 06				STEM, Wheel Valve, Extension, [4JR+WDG]

SPRINTER (VA)

SERIES	LINE	BODY	ENGINE	TRANSMISSION
L = LOWLINE	3 = HD DODGE 2WD 8 = HD DODGE 4WD 6 = Lt. Duty DODGE 4WD 2 = Med. Duty DODGE 2WD 7 = Med. Duty DODGE 4WD 4 = TRUCK	12 = Van 140" 51 = Wagon 118" 52 = Wagon 140" 14 = Van 118" 15 = Van 140" 16 = Van 158" 54 = Wagon 118" 55 = Wagon 140" 56 = Wagon 158" 01 = Chassis Forward Control 118" 02 = Chassis Forward Control 140" 06 = Front Section 158" 11 = Van 118"	EX8 = Engine - 2.7L I5 Mercedes-Benz TD	DGJ = Transmission - 5-Spd Auto, MB

AR = use ase required - = Non illustrated part

Jack and Stowage
Figure 22-340



ITEM	PART NUMBER	QTY	LINE	SERIES	BODY	ENGINE	TRANS	TRIM	DESCRIPTION
1	05104529AA	1	2, 6	L	11, 12, 14, 15, 16				SCREW
2	05126189AA	4	2, 6	L	15, 16, 11, 12, 14				WASHER, Flat
		4	2, 6	L	51, 52, 54, 55, 56				
		4	3, 7	L	12, 15, 16				
3	05104528AA	1	2, 6	L	11, 12, 14, 15, 16				BRACKET, Spare Tire Winch
4	05121441AA	1	2, 6	L	11, 12, 14, 15, 16				REST, Spare Tire
		1	3, 7	L	12, 15, 16				
5	05104078AA	1	2, 6	L	11, 12, 14, 15, 16				SUPPORT, Spare Tire
		1	2, 6	L	51, 52, 54, 55, 56				
	05118911AA	1	3, 7	L	06				158 Inch Wheelbase
		1	3, 7	L	16				158 Inch Wheelbase
	05118913AA	1	3, 7	L	02				140 Inch Wheelbase
		1	3, 7	L	12, 15				140 Inch Wheelbase
6	05104082AA	2	2, 6	L	11, 12, 14, 15, 16				SCREW, Spare Tire
		2	2, 6	L	52, 54, 55, 56, 51				
7	05118920AA	2	2, 6	L	11, 12, 14, 15, 16				HOOK, Spare Tire Attach
		2	2, 6	L	51, 52, 54, 55, 56				
8	05104081AA	2	2, 6	L	01, 02, 06				PLATE, Spare Tire

SPRINTER (VA)

SERIES

L = LOWLINE

LINE

3 = HD DODGE 2WD
8 = HD DODGE 4WD
6 = Lt. Duty DODGE 4WD
2 = Med. Duty DODGE 2WD
7 = Med. Duty DODGE 4WD
4 = TRUCK

BODY

12 = Van 140"
51 = Wagon 118"
52 = Wagon 140"
14 = Van 118"
15 = Van 140"
16 = Van 158"
54 = Wagon 118"
55 = Wagon 140"
56 = Wagon 158"
01 = Chassis Forward Control
118"
02 = Chassis Forward Control
140"
06 = Front Section 158"
11 = Van 118"

ENGINE

EX8 = Engine - 2.7L I5
Mercedes-Benz TD

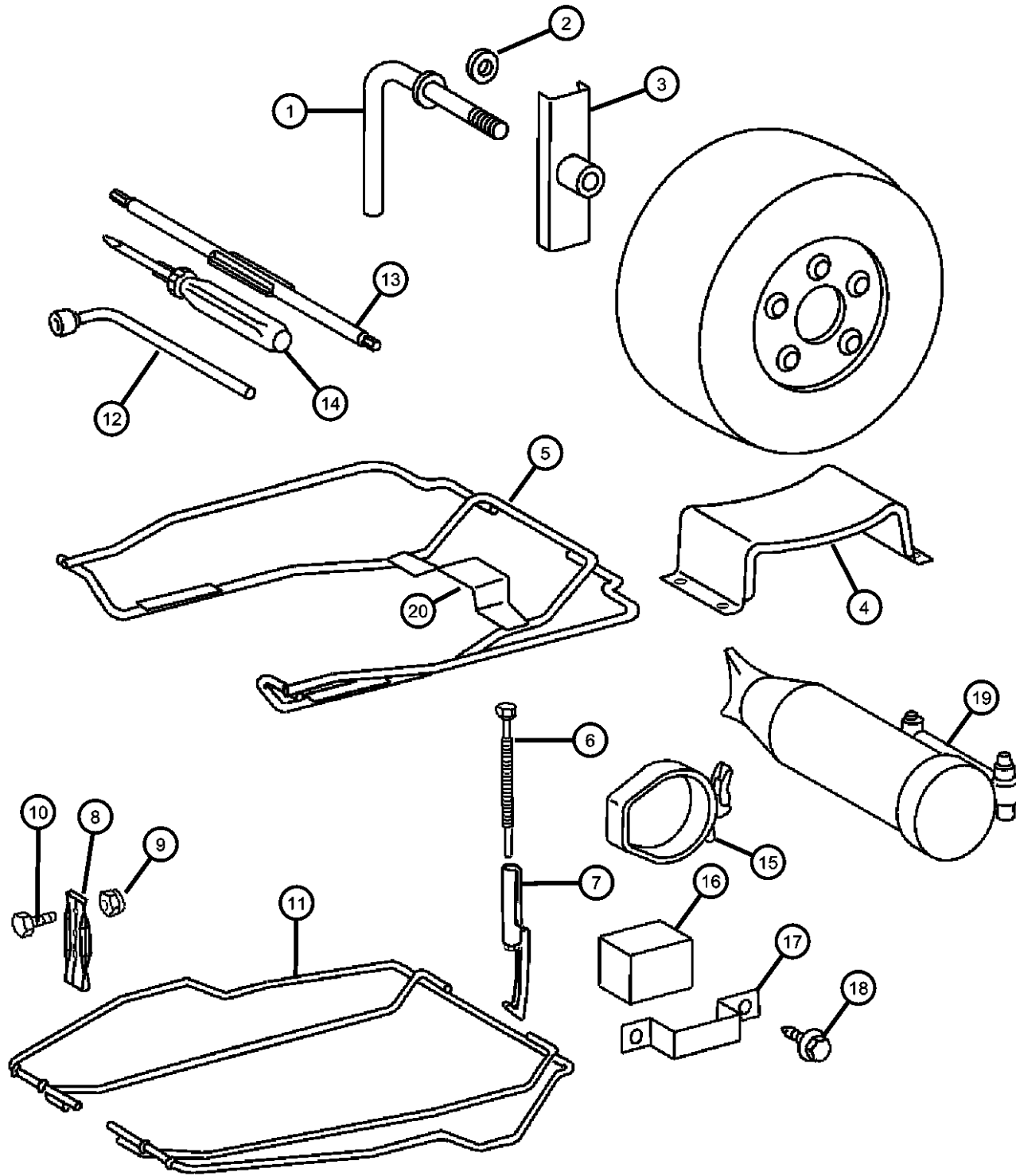
TRANSMISSION

DGJ = Transmission - 5-Spd Auto, MB

AR = use ase required - = Non illustrated part

2005 VA

Jack and Stowage
Figure 22-340



ITEM	PART NUMBER	QTY	LINE	SERIES	BODY	ENGINE	TRANS	TRIM	DESCRIPTION
9	05119009AA	2	2, 6	L	11, 12, 14, 15, 16				NUT, Hex
		2	2, 6	L	51, 52, 54, 55, 56				
		2	3, 7	L	02, 06				
		2	3, 7	L	12, 15, 16				
10	05126237AA	4	2, 6	L	01, 02, 06				BOLT
		4	2, 6	L	11, 12, 14, 15, 16				
		4	2, 6	L	51, 52, 54, 55, 56				
		4	2, 6	L	01, 02, 06				
11	05104655AA	4	2, 6	L	11, 12, 14, 15, 16				SUPPORT, Spare Tire
		4	2, 6	L	55, 56, 51, 52, 54				
		1	3, 7	L	02, 06				
		1	3, 7	L	12, 15, 16				
12	05104077AA	1	2, 6	L	11, 12, 14, 15, 16				TOOL, Wrench
		1	2, 6	L	51, 52, 54, 55, 56				
		1	2, 6	L	01, 02, 06				
		1	2, 6	L	01, 02, 06				
13	05120992AA	1	2, 6	L	11, 12, 14, 15, 16				TUBE, Spare Tire Winch
		1	2, 6	L	51, 52, 54, 55, 56				
		1	2, 6	L	01, 02, 06				

SPRINTER (VA)

SERIES

L = LOWLINE

LINE

3 = HD DODGE 2WD
8 = HD DODGE 4WD
6 = Lt. Duty DODGE 4WD
2 = Med. Duty DODGE 2WD
7 = Med. Duty DODGE 4WD
4 = TRUCK

BODY

12 = Van 140"
51 = Wagon 118"
52 = Wagon 140"
14 = Van 118"
15 = Van 140"
16 = Van 158"
54 = Wagon 118"
55 = Wagon 140"
56 = Wagon 158"
01 = Chassis Forward Control 118"
02 = Chassis Forward Control 140"
06 = Front Section 158"
11 = Van 118"

ENGINE

EX8 = Engine - 2.7L I5
Mercedes-Benz TD

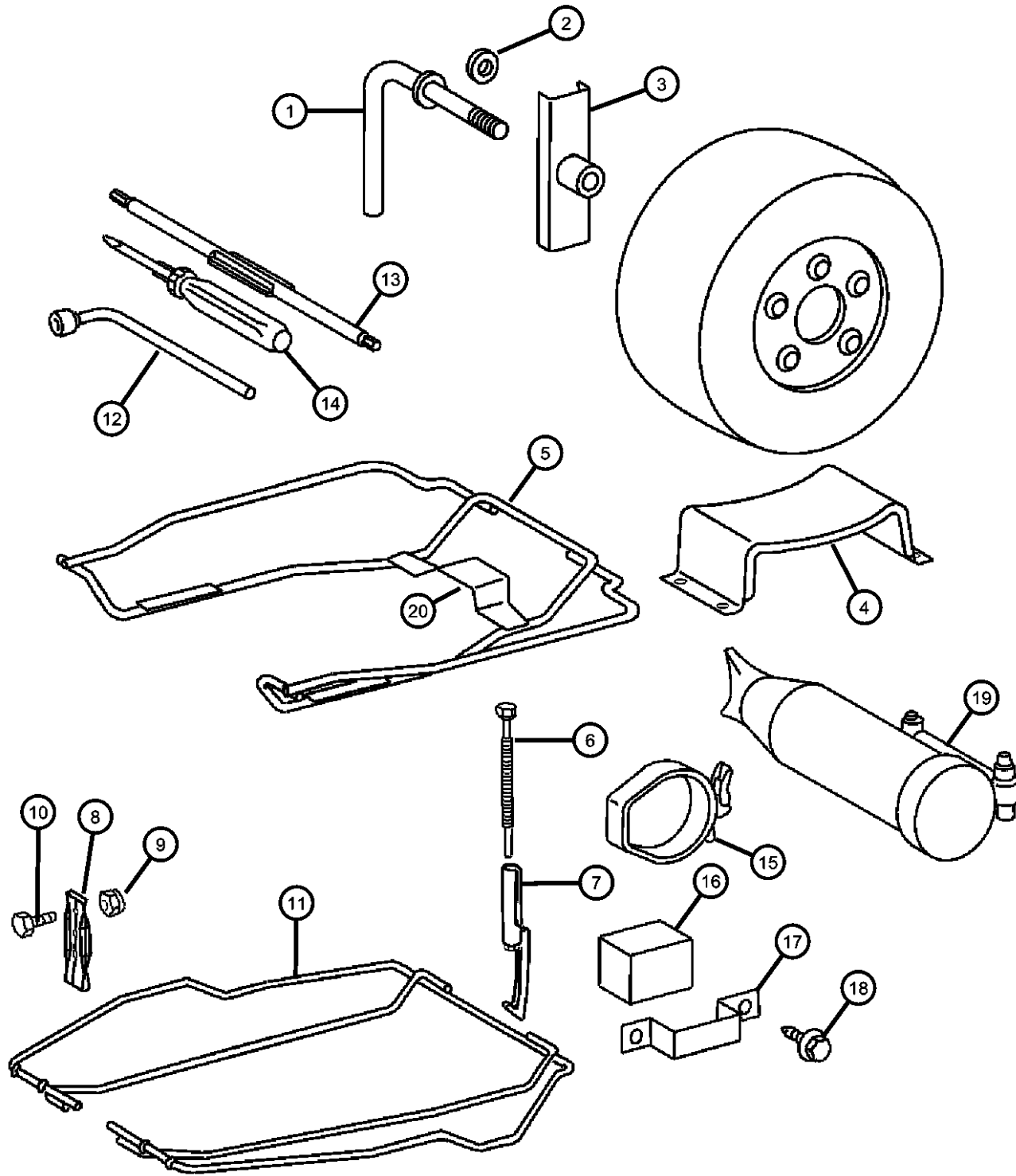
TRANSMISSION

DGJ = Transmission - 5-Spd Auto, MB

AR = use ase required - = Non illustrated part

2005 VA

Jack and Stowage
Figure 22-340



ITEM	PART NUMBER	QTY	LINE	SERIES	BODY	ENGINE	TRANS	TRIM	DESCRIPTION
	05120994AA	1	2, 6	L	01, 02, 06				
		1	2, 6	L	11, 12, 14, 15, 16				
		1	3, 7	L	02, 06				
		1	3, 7	L	12, 15, 16				
		1	2, 6	L	51, 52, 54, 55, 56				
14		1							SCREWDRIVER, (NOT SERVICED)
15									BRACKET, Jack
	05125275AA	1	2, 6	L	01, 02, 06				
		1	2, 6	L	11, 12, 14, 15, 16				
		1	2, 6	L	51, 52, 54, 55, 56				
	05125276AA	1	3, 7	L	02, 06				
		1	3, 7	L	12, 15, 16				
16									PAD, Jack
	05133292AA	1	2, 6	L	01, 02, 06				
		1	2, 6	L	11, 12, 14, 15, 16				
		1	2, 6	L	51, 52, 54, 55, 56				
		1	3, 7	L	02, 06				
		1	3, 7	L	12, 15, 16				
17									BRACKET, Jack
	05133293AA	1	2, 6	L	01, 02, 06				
		1	2, 6	L	11, 12, 14, 15, 16				
		1	2, 6	L	51, 52, 54, 55, 56				
		1	3, 7	L	12, 15, 16				
		1	3, 7	L	02, 06				

SPRINTER (VA)

SERIES

L = LOWLINE

LINE

3 = HD DODGE 2WD
8 = HD DODGE 4WD
6 = Lt. Duty DODGE 4WD
2 = Med. Duty DODGE 2WD
7 = Med. Duty DODGE 4WD
4 = TRUCK

BODY

12 = Van 140"
51 = Wagon 118"
52 = Wagon 140"
14 = Van 118"
15 = Van 140"
16 = Van 158"
54 = Wagon 118"
55 = Wagon 140"
56 = Wagon 158"
01 = Chassis Forward Control 118"
02 = Chassis Forward Control 140"
06 = Front Section 158"
11 = Van 118"

ENGINE

EX8 = Engine - 2.7L I5
Mercedes-Benz TD

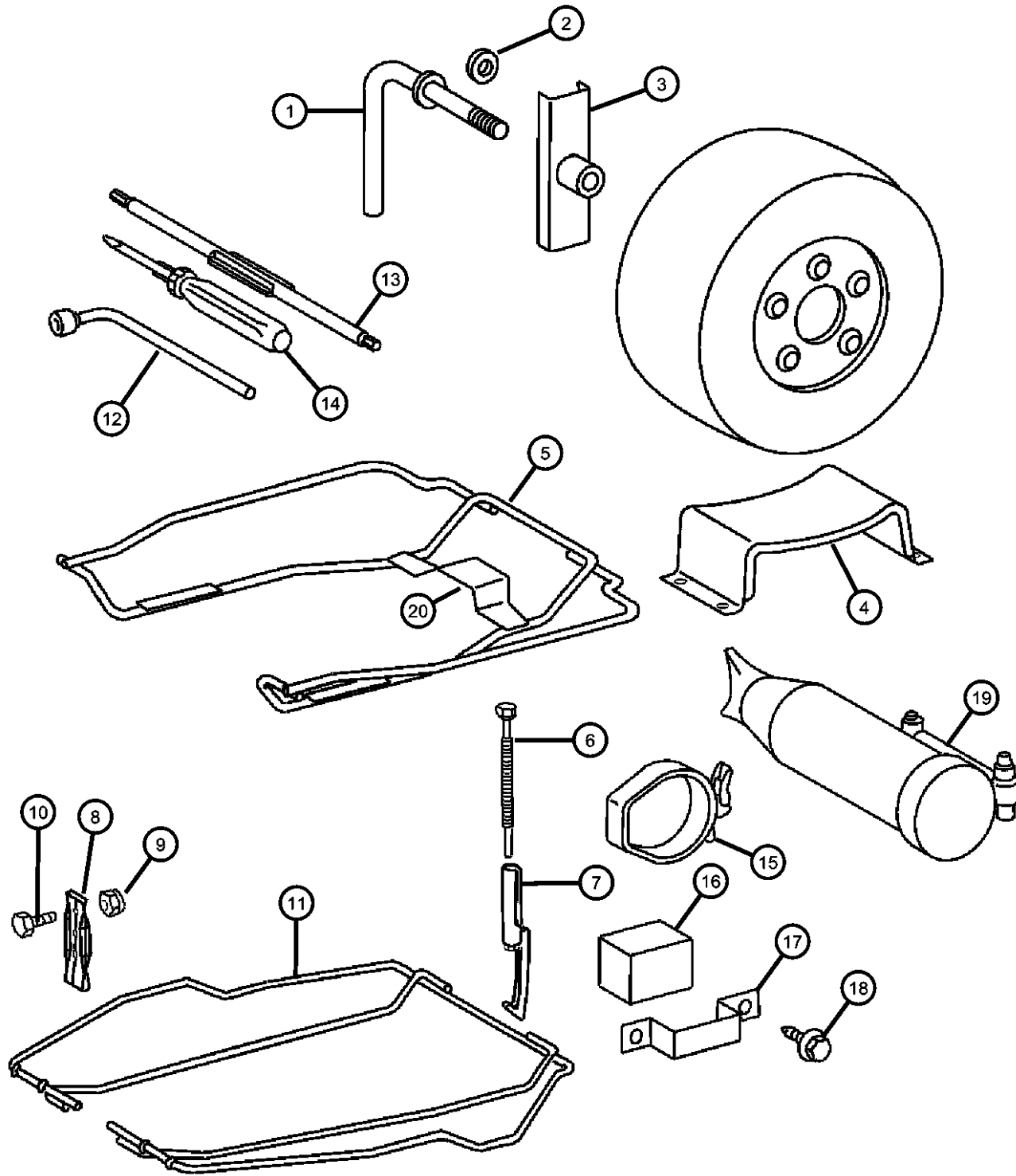
TRANSMISSION

DGJ = Transmission - 5-Spd Auto, MB

AR = use ase required - = Non illustrated part

2005 VA

Jack and Stowage
Figure 22-340



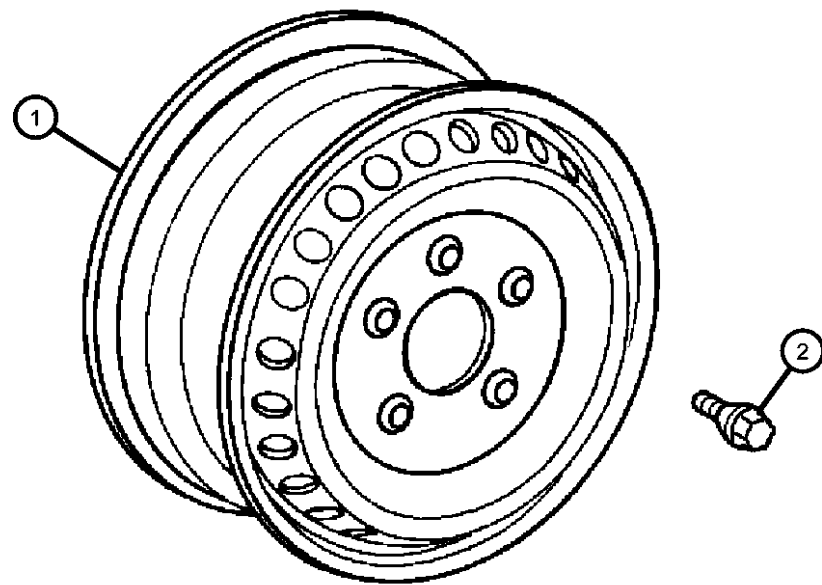
ITEM	PART NUMBER	QTY	LINE	SERIES	BODY	ENGINE	TRANS	TRIM	DESCRIPTION
18	05133295AA	2	2, 6	L	11, 12, 14, 15, 16				SCREW, Self-Tapping
		2	2, 6	L	51, 52, 54, 55, 56				
		2	3, 7	L	12, 15, 16				
19	05104587AA	1	2, 6	L	01, 02, 06				JACK
		1	2, 6	L	11, 12, 14, 15, 16				
		1	2, 6	L	55, 56, 51, 52, 54				
		1	3, 7	L	12, 15, 16				
		1	3, 7	L	02, 06				
20	05140580AA	1	3, 7	L	06				BRACKET, Spare Tire [5AF+TBN+4JR]
	05166992AA	1	3, 7	L	02				[5AE+TBN+4JR]

SPRINTER (VA)

SERIES	LINE	BODY	ENGINE	TRANSMISSION
L = LOWLINE	3 = HD DODGE 2WD 8 = HD DODGE 4WD 6 = Lt. Duty DODGE 4WD 2 = Med. Duty DODGE 2WD 7 = Med. Duty DODGE 4WD 4 = TRUCK	12 = Van 140" 51 = Wagon 118" 52 = Wagon 140" 14 = Van 118" 15 = Van 140" 16 = Van 158" 54 = Wagon 118" 55 = Wagon 140" 56 = Wagon 158" 01 = Chassis Forward Control 118" 02 = Chassis Forward Control 140" 06 = Front Section 158" 11 = Van 118"	EX8 = Engine - 2.7L I5 Mercedes-Benz TD	DGJ = Transmission - 5-Spd Auto, MB

AR = use ase required - = Non illustrated part

Wheel, Spare
Figure 22-430



ITEM	PART NUMBER	QTY	LINE	SERIES	BODY	ENGINE	TRANS	TRIM	DESCRIPTION
------	-------------	-----	------	--------	------	--------	-------	------	-------------

NOTES: Sales Codes
 [AMC] = Federal Express Group
 [WCD] = 15X5 Steel Wheels
 [WCL] = 15X6 Steel Wheels
 [WDG] = 16X6 Steel Wheels
 [WLB] = Steel Spare Wheel
 [WWA] = Paintable Wheels
 [WWB] = 16X6 Aluminum Wheels
 [WWW] = Steel Arctic White Wheels
 [4XS] = National Version for USA
 [4Z1] = Natinal Version for Canada

ITEM	PART NUMBER	QTY	LINE	SERIES	BODY	ENGINE	TRANS	TRIM	DESCRIPTION
1									WHEEL
	05103605AA	1	2, 6	L	11, 12, 14, 15, 16				[WCL+WWW+WLB+AMC+4XS]
	05128908AA	1	2, 6	L	01, 02, 06				[WDG+WWA+WLB,4Z1,4XS]
		1	2, 6	L	11, 12, 14, 15, 16				[WDG+WWA+WLB,4Z1,4XS]
	05104581AA	1	3, 7	L	02, 06				[WCD+WLB]
		1	3, 7	L	12, 15, 16				[WCD+WLB]
	05128911AA	1	2, 6	L	11, 12, 14, 15, 16				[WWB+WDG+WLB,4Z1,4XS]
		1	2, 6	L	51, 52, 54, 55, 56				[WDG+WWA+WLB,4Z1,4XS]
		1	2, 6	L	01, 02, 06				[WWB+WDG+WLB,4Z1,4XS]
		1	2, 6	L	51, 52, 54, 55, 56				[WWB+WDG+WLB,4Z1,4XS]
2									BOLT
	05104080AA	5	2, 6	L	51, 52, 54, 55, 56				
		5	2, 6	L	01, 02, 06				
		5	2, 6	L	11, 12, 14, 15, 16				

SPRINTER (VA)

SERIES	LINE	BODY	ENGINE	TRANSMISSION
L = LOWLINE	3 = HD DODGE 2WD 8 = HD DODGE 4WD 6 = Lt. Duty DODGE 4WD 2 = Med. Duty DODGE 2WD 7 = Med. Duty DODGE 4WD 4 = TRUCK	12 = Van 140" 51 = Wagon 118" 52 = Wagon 140" 14 = Van 118" 15 = Van 140" 16 = Van 158" 54 = Wagon 118" 55 = Wagon 140" 56 = Wagon 158" 01 = Chassis Forward Control 118" 02 = Chassis Forward Control 140" 06 = Front Section 158" 11 = Van 118"	EX8 = Engine - 2.7L I5 Mercedes-Benz TD	DGJ = Transmission - 5-Spd Auto, MB

AR = use ase required - = Non illustrated part

Group - 23D

Wiper/Lock Cylinder and Keys

Group - 23D Wiper/Lock Cylinder and Keys

Illustration Title

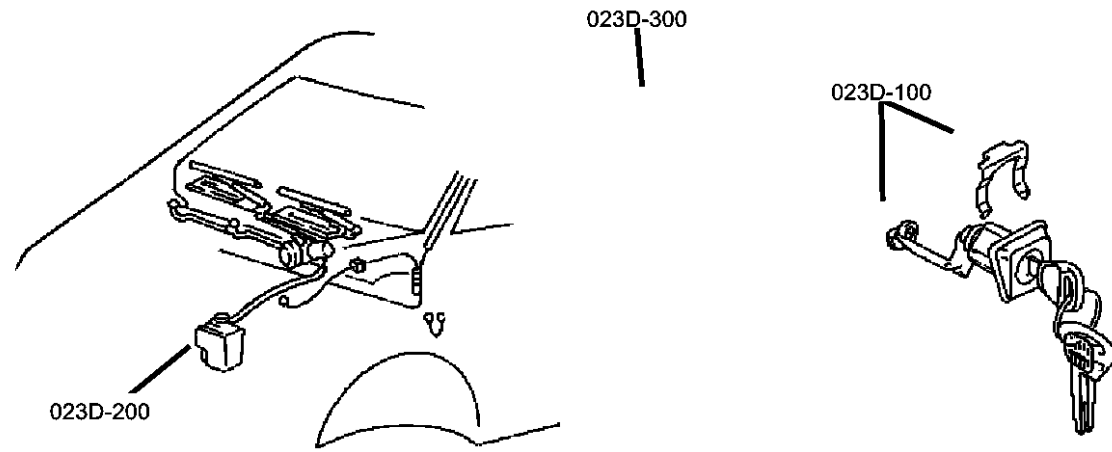
Group-Fig. No.

Lock Cylinders and Keys

Lock Cylinders & ComponentsFig. 23D - 105

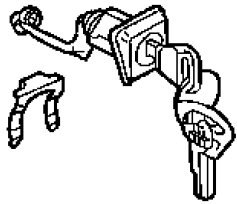
Windshield Wiper and Washer Systems

Windshield Wiper & Washer.....Fig. 23D - 205



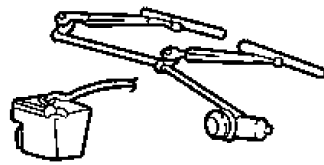
23D-100

Lock Cylinders and Keys

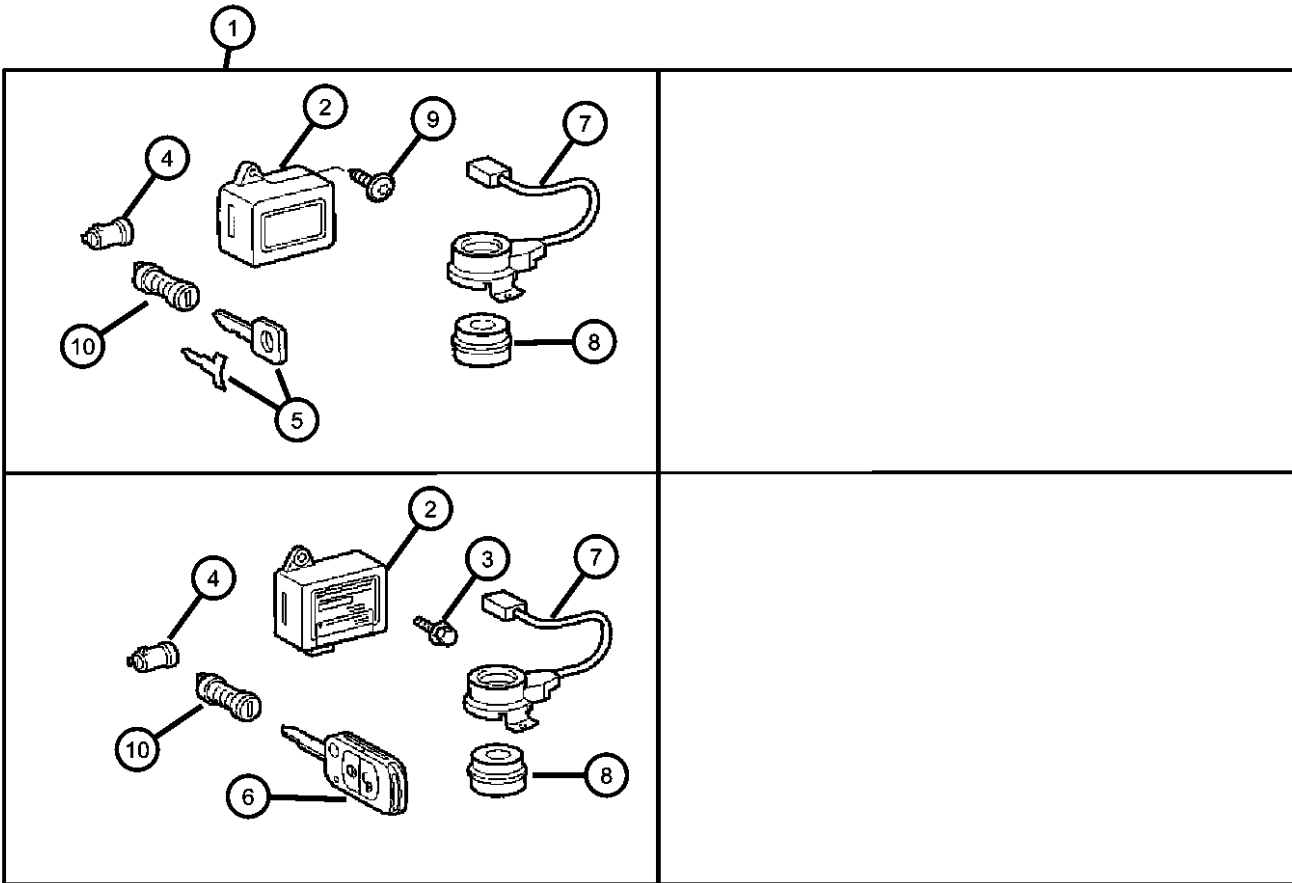


23D-200

Windshield Wiper and Washer Systems



Lock Cylinders & Components
Figure 23D-105



ITEM	PART NUMBER	QTY	LINE	SERIES	BODY	ENGINE	TRANS	TRIM	DESCRIPTION
1									LOCK, Door, For this package call 866 769 8092 or use STAR Parts Web Site order form
	05123711AA	1	2, 6		11, 12, 14, 15, 16				Right
		1	3, 7		12, 15, 16				
	05123717AA	1	2, 6		01, 02, 06				Left Door Latch
		1	3, 7		02, 06				Left Door Latch
	05123718AA	1	3, 7		02, 06				
	05123719AA	1	2, 6		01, 02, 06				Central Locking Left
		1	3, 7		02, 06				Central Locking Left
	05123720AA	1	2, 6		01, 02, 06				Central Locking Right
		1	3, 7		02, 06				Actuator
2									WSP CONTROL UNIT, Remote Control Key
	05135344AA	1	2, 6		11, 12, 14, 15, 16				Without Salescode [JPB] Power Locks
		1	2, 6		51, 52, 54, 55, 56				Without Salescode [JPB] Power Locks
		1	3, 7		02, 06				Without Salescode [JPB] Power Locks
		1	3, 7		12, 15, 16				Without Salescode [JPB] Power Locks
		1	2, 6		01, 02, 06				Without Salescode [JPB] Power Locks
	05135345AA	1	2, 6		11, 12, 14, 15, 16				With Salescode [JPB] Power Locks
		1	2, 6		51, 52, 54, 55, 56				With Salescode [JPB] Power Locks
		1	3, 7		02, 06				With Salescode [JPB] Power Locks
		1	3, 7		12, 15, 16				With Salescode [JPB] Power Locks
		1	2, 6		01, 02, 06				With Salescode [JPB] Power Locks
3	05126268AA	2	2, 6		11, 12, 14, 15, 16				BOLT, Door

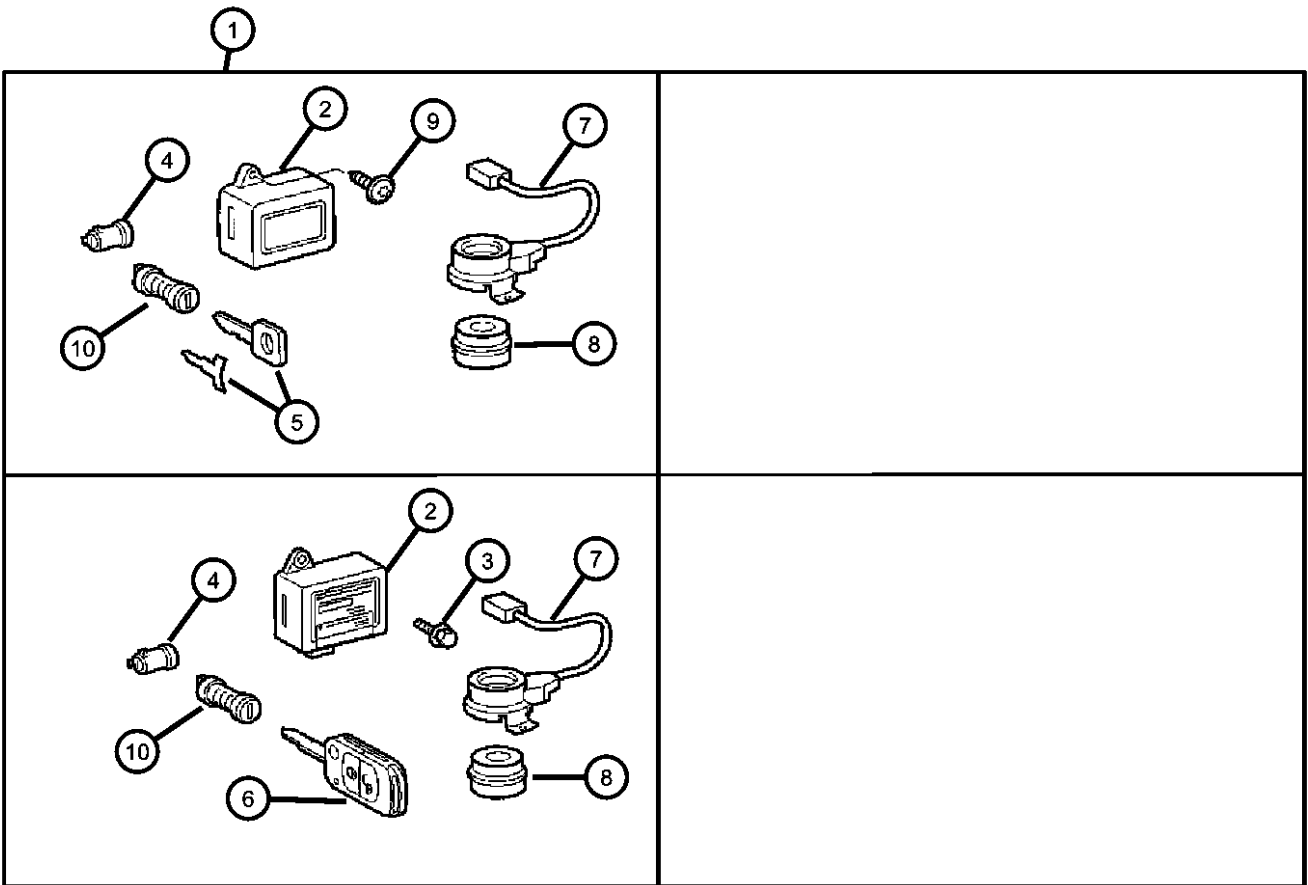
SPRINTER (VA)

SERIES	LINE	BODY	ENGINE	TRANSMISSION
L = LOWLINE	3 = HD DODGE 2WD 8 = HD DODGE 4WD 6 = Lt. Duty DODGE 4WD 2 = Med. Duty DODGE 2WD 7 = Med. Duty DODGE 4WD 4 = TRUCK	12 = Van 140" 51 = Wagon 118" 52 = Wagon 140" 14 = Van 118" 15 = Van 140" 16 = Van 158" 54 = Wagon 118" 55 = Wagon 140" 56 = Wagon 158" 01 = Chassis Forward Control 118" 02 = Chassis Forward Control 140" 06 = Front Section 158" 11 = Van 118"	EX8 = Engine - 2.7L I5 Mercedes-Benz TD	DGJ = Transmission - 5-Spd Auto, MB

AR = use ase required - = Non illustrated part

Lock Cylinders & Components
Figure 23D-105

ITEM	PART NUMBER	QTY	LINE	SERIES	BODY	ENGINE	TRANS	TRIM	DESCRIPTION
4	05114365AA	1	2, 6		51, 52, 54, 55, 56				CYLINDER, Ignition Lock
		1	3, 7		02, 06				
5	05114362AA	2	2, 6		11, 12, 14, 15, 16				KEY Replacement Blade Only For Remote Key Sales Code [JPB]
		2	2, 6		51, 52, 54, 55, 56				Replacement Blade Only For Remote Key Sales Code [JPB]
		2	3, 7		12, 15, 16				Replacement Blade Only For Remote Key Sales Code [JPB]
	05114363AA	1	2, 6		11, 12, 14, 15, 16				Key With No Remote WithOut Sales Code [GXY] Or [JPB]. Can Be Used As A Spare For Sales Code [JPB]
		1	2, 6		51, 52, 54, 55, 56				Key With No Remote WithOut Sales Code [GXY] Or [JPB]. Can Be Used As A Spare For Sales Code [JPB]
		1	3, 7		02, 06				Key With No Remote WithOut Sales Code [GXY] Or [JPB]. Can Be Used As A Spare For Sales Code [JPB]
6	05114361AA	2	2, 6		11, 12, 14, 15, 16				KEY, Remote Control Complete Remote Key With Blade For Sales Code [JPB] Only
		2	2, 6		51, 52, 54, 55, 56				Remote Key With Blade For Sales Code [JPB] Only
		2	3, 7		02, 06				Remote Key With Blade For Sales Code [JPB] Only
		2	3, 7		12, 15, 16				Remote Key With Blade For Sales Code [JPB] Only
7	05120812AA	1	2, 6		01, 02, 06				TRANSPONDER, Steering Wheel
8	05103651AA	1	2, 6		01, 02, 06				RING
9	05126095AA	6	2, 6		11, 12, 14, 15, 16				SCREW, Tapping



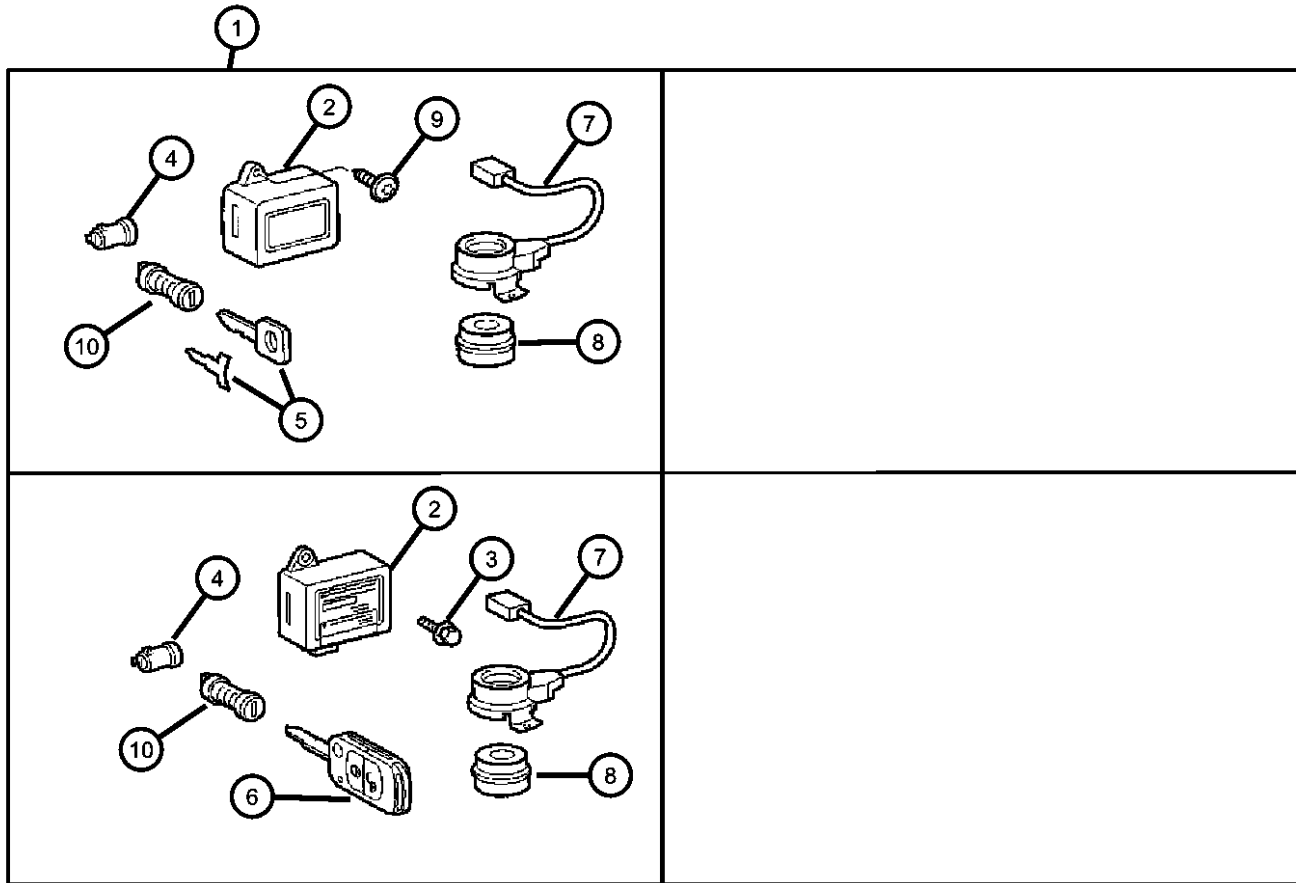
SPRINTER (VA)

SERIES	LINE	BODY	ENGINE	TRANSMISSION
L = LOWLINE	3 = HD DODGE 2WD 8 = HD DODGE 4WD 6 = Lt. Duty DODGE 4WD 2 = Med. Duty DODGE 2WD 7 = Med. Duty DODGE 4WD 4 = TRUCK	12 = Van 140" 51 = Wagon 118" 52 = Wagon 140" 14 = Van 118" 15 = Van 140" 16 = Van 158" 54 = Wagon 118" 55 = Wagon 140" 56 = Wagon 158" 01 = Chassis Forward Control 118" 02 = Chassis Forward Control 140" 06 = Front Section 158" 11 = Van 118"	EX8 = Engine - 2.7L I5 Mercedes-Benz TD	DGJ = Transmission - 5-Spd Auto, MB

AR = use ase required - = Non illustrated part

Lock Cylinders & Components
Figure 23D-105

ITEM	PART NUMBER	QTY	LINE	SERIES	BODY	ENGINE	TRANS	TRIM	DESCRIPTION
10	05114364AA	1	2, 6		01, 02, 06				CYLINDER, Door Lock
		1	3, 7		12, 15, 16				
-11	05127746AA	1							KEY, Blank, For Ups Vechiles Only
-12	05103687AA	1	2, 3, 6, 7						BATTERY, Transmitter

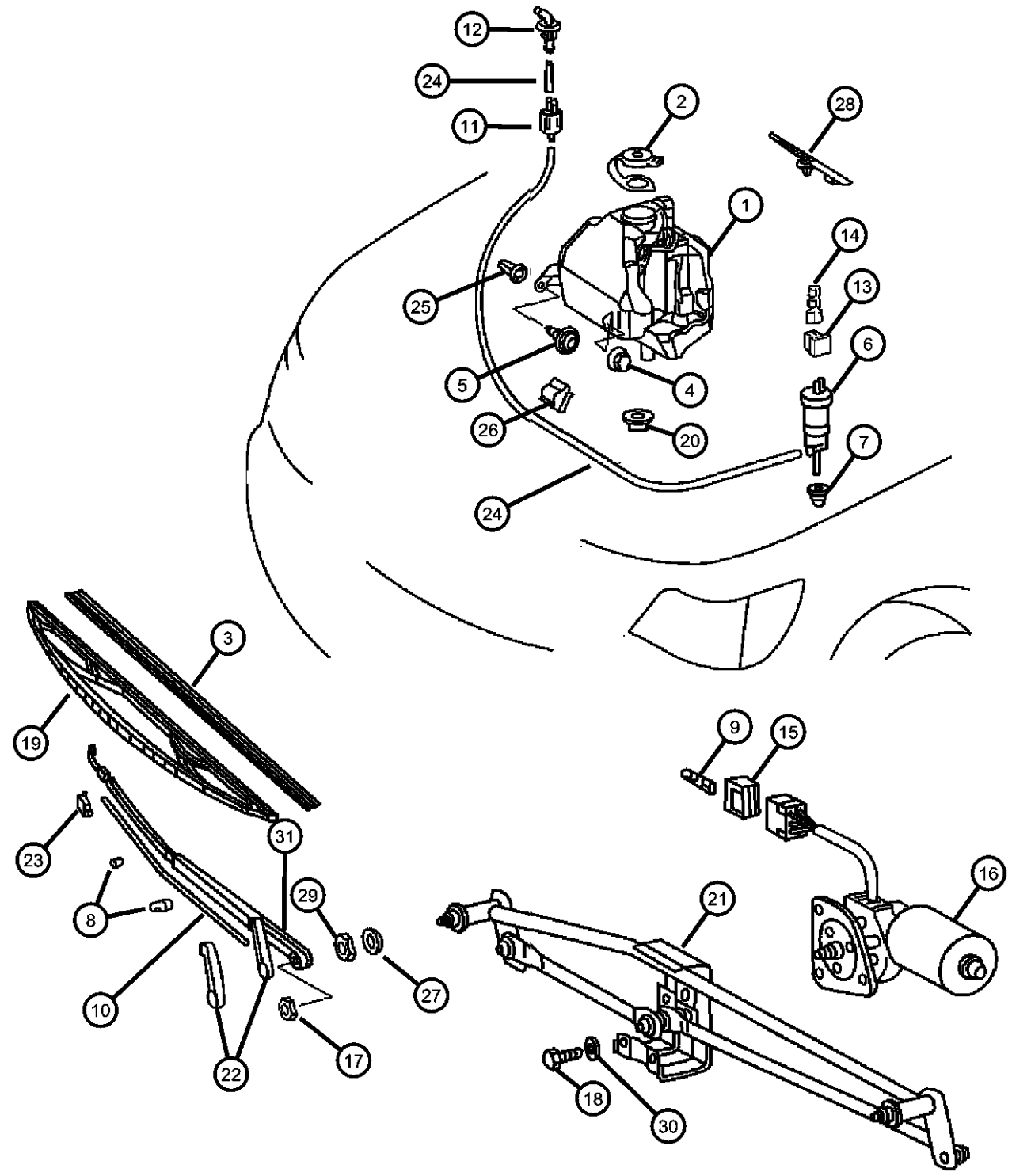


SPRINTER (VA)

SERIES	LINE	BODY	ENGINE	TRANSMISSION
L = LOWLINE	3 = HD DODGE 2WD 8 = HD DODGE 4WD 6 = Lt. Duty DODGE 4WD 2 = Med. Duty DODGE 2WD 7 = Med. Duty DODGE 4WD 4 = TRUCK	12 = Van 140" 51 = Wagon 118" 52 = Wagon 140" 14 = Van 118" 15 = Van 140" 16 = Van 158" 54 = Wagon 118" 55 = Wagon 140" 56 = Wagon 158" 01 = Chassis Forward Control 118" 02 = Chassis Forward Control 140" 06 = Front Section 158" 11 = Van 118"	EX8 = Engine - 2.7L I5 Mercedes-Benz TD	DGJ = Transmission - 5-Spd Auto, MB

AR = use ase required - = Non illustrated part

**Windshield Wiper & Washer
Figure 23D-205**

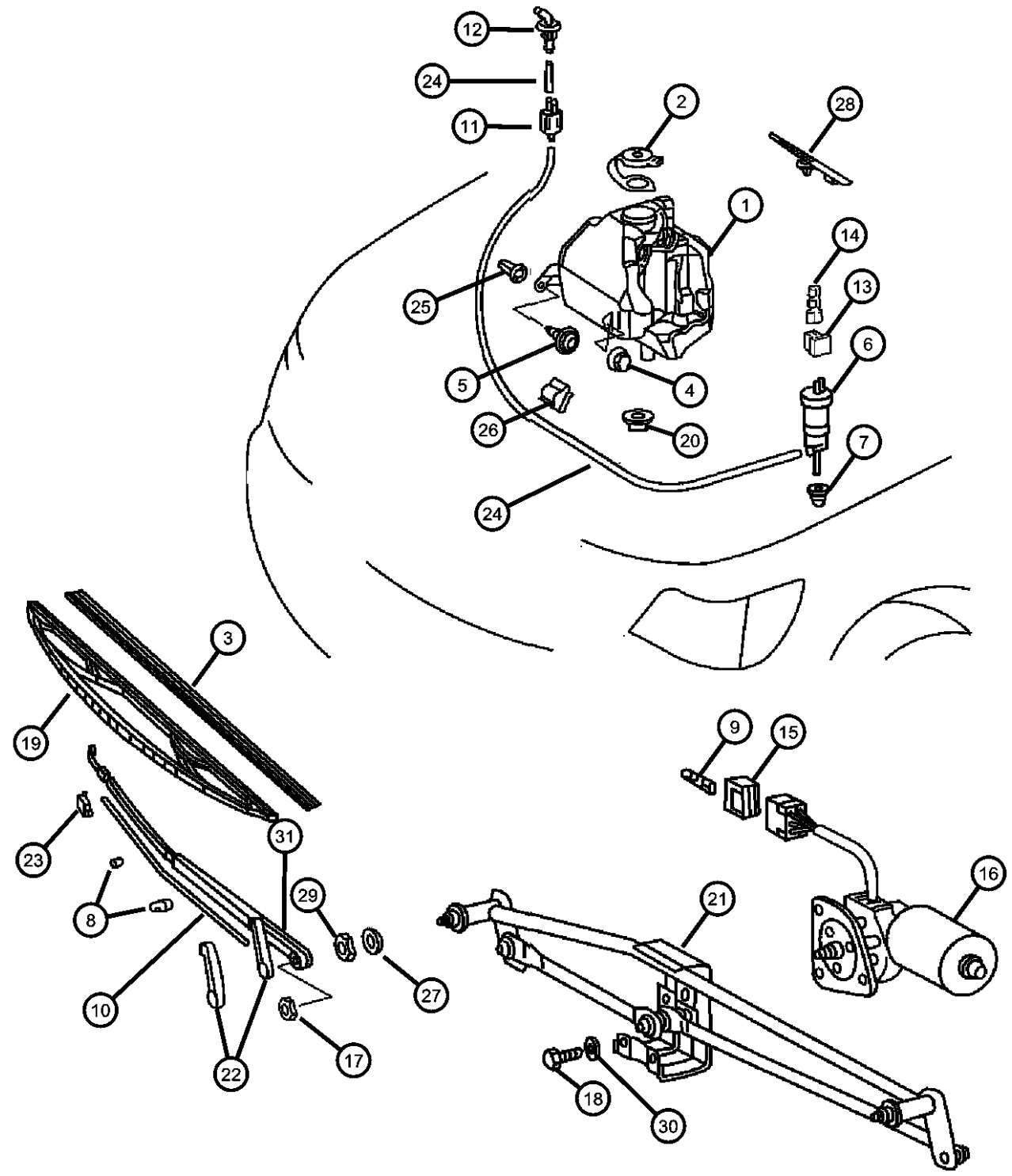


ITEM	PART NUMBER	QTY	LINE	SERIES	BODY	ENGINE	TRANS	TRIM	DESCRIPTION
1	05104503AA	1	3, 7		02, 06				RESERVOIR, Washer
2	05125059AA	1	3, 7		12, 15, 16				CAP, Washer Reservoir
3	05133992AA	2	3, 7		02, 06				REFILL, Wiper Blade
	WBW00024AD								Mopar Alternative Winter Wiper Blades
	WBW00022AD								Mopar Alternative Winter Wiper Blades
	WB000024AE								Mopar V-Line Alternative Part
	WB000022AE								Mopar V-Line Alternative Part
	WB-BLU022AA								Mopar Alternative Color Wiper Blade (Blue)
	WBRED022AA								Mopar Alternative Color Wiper Blade (Red)
	WBYEL022AA								Mopar Alternative Color Wiper Blade (Yellow)
	WB-WHI022AA								Mopar Alternative Color Wiper Blade (White)
	WB-CAR022AA								Mopar Alternative Color Wiper Blade (Carbon Fiber)
	WB-BLU024AA								Mopar Alternative Color Wiper Blade (Blue)
	WBRED024AA								Mopar Alternative Color Wiper Blade (Red)
	WBYEL024AA								Mopar Alternative Color Wiper Blade (Yellow)
	WB-WHI024AA								Mopar Alternative Color Wiper Blade (White)
	WB-CAR024AA								Mopar Alternative Color Wiper Blade (Carbon Fiber)
		2	3, 7		12, 15, 16				

SPRINTER (VA)				
SERIES	LINE	BODY	ENGINE	TRANSMISSION
L = LOWLINE	3 = HD DODGE 2WD 8 = HD DODGE 4WD 6 = Lt. Duty DODGE 4WD 2 = Med. Duty DODGE 2WD 7 = Med. Duty DODGE 4WD 4 = TRUCK	12 = Van 140" 51 = Wagon 118" 52 = Wagon 140" 14 = Van 118" 15 = Van 140" 16 = Van 158" 54 = Wagon 118" 55 = Wagon 140" 56 = Wagon 158" 01 = Chassis Forward Control 118" 02 = Chassis Forward Control 140" 06 = Front Section 158" 11 = Van 118"	EX8 = Engine - 2.7L I5 Mercedes-Benz TD	DGJ = Transmission - 5-Spd Auto, MB

AR = use ase required - = Non illustrated part

**Windshield Wiper & Washer
Figure 23D-205**



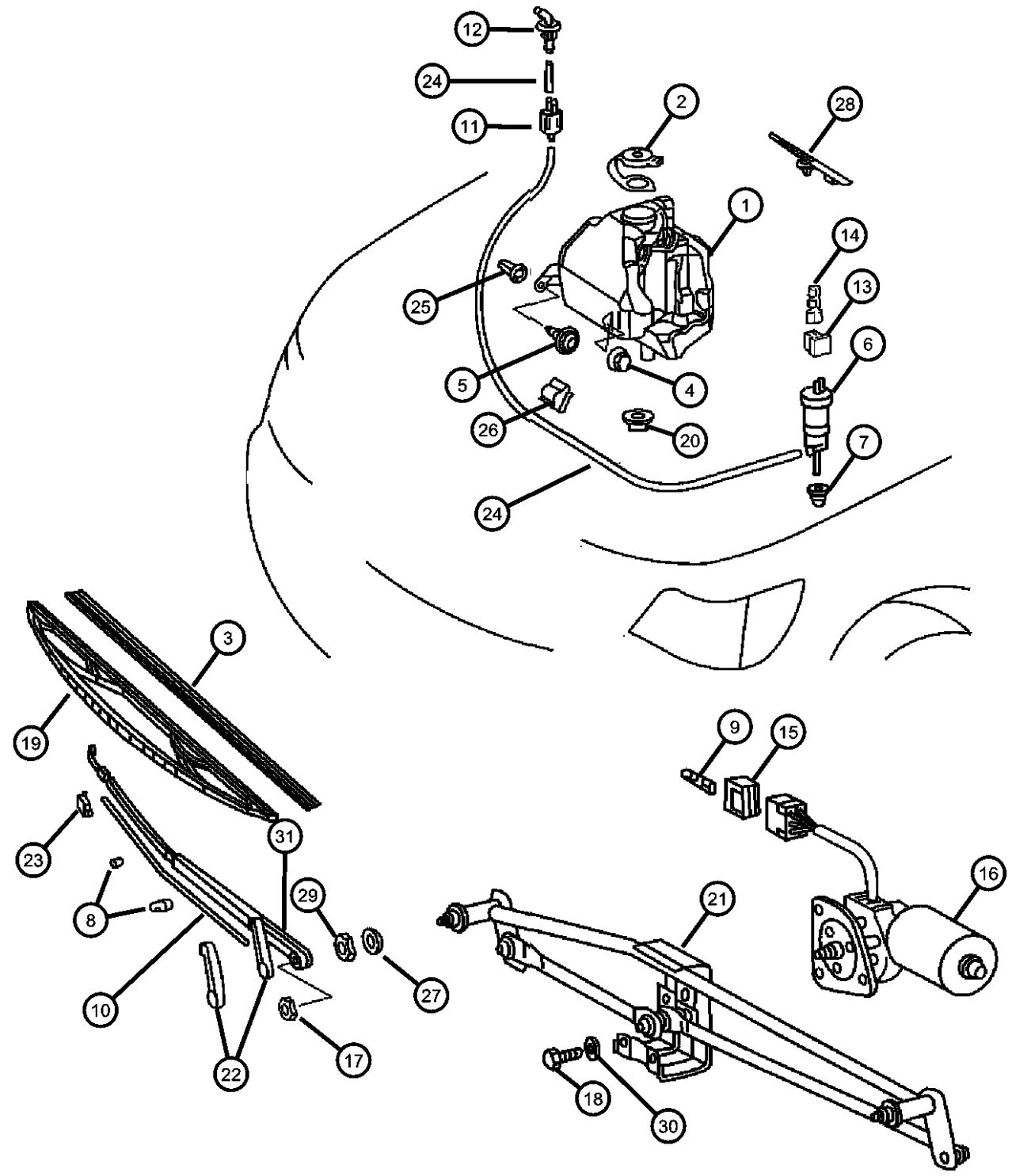
ITEM	PART NUMBER	QTY	LINE	SERIES	BODY	ENGINE	TRANS	TRIM	DESCRIPTION
------	-------------	-----	------	--------	------	--------	-------	------	-------------

	WBW00024AD								Mopar Alternative Winter Wiper Blades
	WBW00022AD								Mopar Alternative Winter Wiper Blades
	WB000024AE								Mopar V-Line Alternative Part
	WB000022AE								Mopar V-Line Alternative Part
	WB-BLU022AA								Mopar Alternative Color Wiper Blade (Blue)
	WBRED022AA								Mopar Alternative Color Wiper Blade (Red)
	WBYEL022AA								Mopar Alternative Color Wiper Blade (Yellow)
	WB-WHI022AA								Mopar Alternative Color Wiper Blade (White)
	WB-CAR022AA								Mopar Alternative Color Wiper Blade (Carbon Fiber)
	WB-BLU024AA								Mopar Alternative Color Wiper Blade (Blue)
	WBRED024AA								Mopar Alternative Color Wiper Blade (Red)
	WBYEL024AA								Mopar Alternative Color Wiper Blade (Yellow)
	WB-WHI024AA								Mopar Alternative Color Wiper Blade (White)
	WB-CAR024AA								Mopar Alternative Color Wiper Blade (Carbon Fiber)
4									NUT, Hex, M6
	05096978AA	1	2, 6		01, 02, 06				
		1	3, 7		12, 15, 16				
5	06104285AA	2	3, 7		02, 06				SCREW
6									PUMP, Washer, Windshield
	05103700AA	1	2, 6		01, 02, 06				Stamp nbr A0008603326
		1	2, 6		11, 12, 14, 15, 16				Stamp nbr A0008603326
		1	2, 6		51, 52, 54, 55, 56				Stamp nbr A0008603326

SPRINTER (VA)		BODY		ENGINE	TRANSMISSION
SERIES	LINE				
L = LOWLINE	3 = HD DODGE 2WD	12 = Van 140"		EX8 = Engine - 2.7L I5	DGJ = Transmission - 5-Spd Auto, MB
	8 = HD DODGE 4WD	51 = Wagon 118"		Mercedes-Benz TD	
	6 = Lt. Duty DODGE 4WD	52 = Wagon 140"			
	2 = Med. Duty DODGE 2WD	14 = Van 118"			
	7 = Med. Duty DODGE 4WD	15 = Van 140"			
	4 = TRUCK	16 = Van 158"			
		54 = Wagon 118"			
		55 = Wagon 140"			
		56 = Wagon 158"			
		01 = Chassis Forward Control 118"			
		02 = Chassis Forward Control 140"			
		06 = Front Section 158"			
		11 = Van 118"			

AR = use ase required - = Non illustrated part

**Windshield Wiper & Washer
Figure 23D-205**

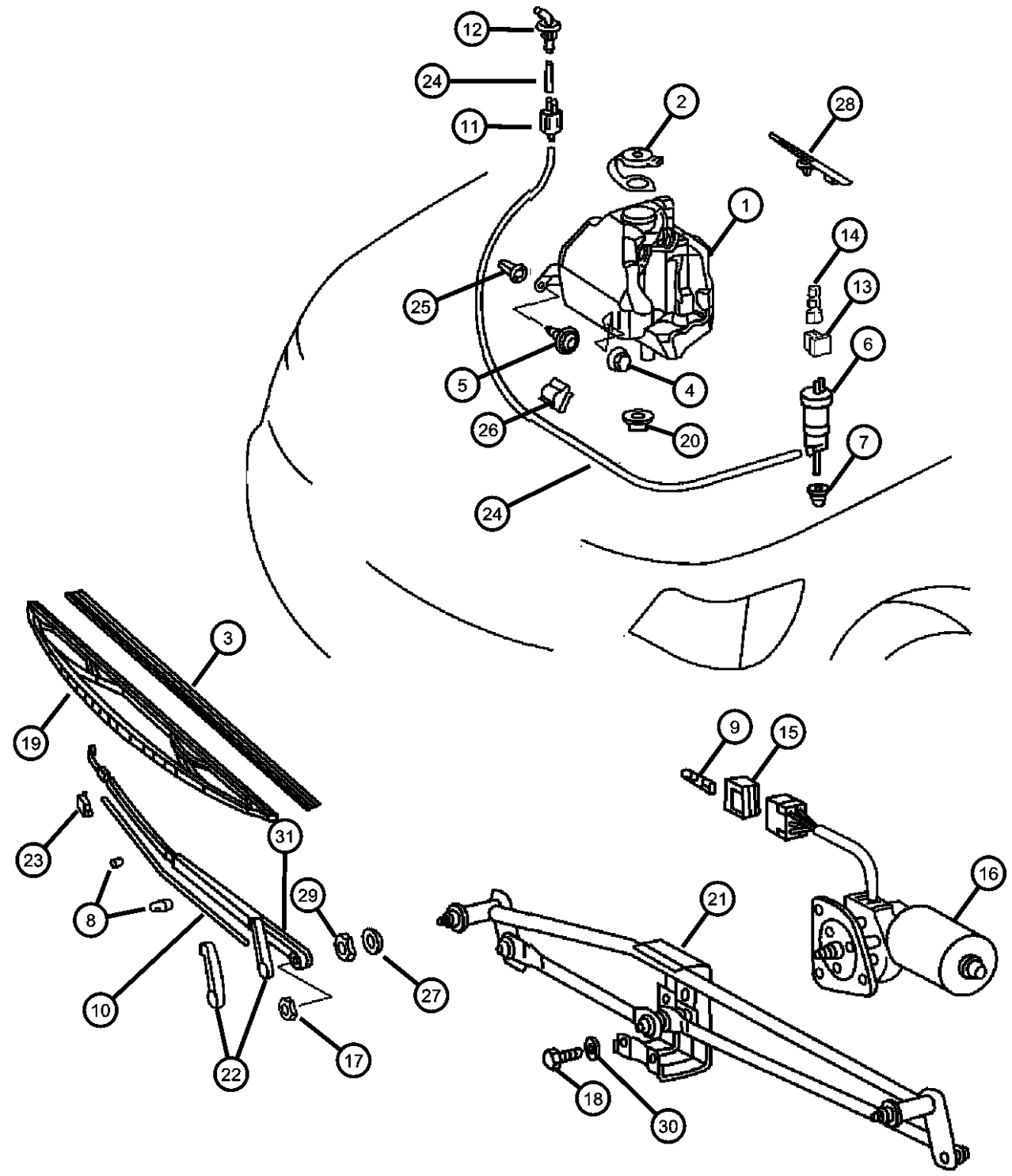


ITEM	PART NUMBER	QTY	LINE	SERIES	BODY	ENGINE	TRANS	TRIM	DESCRIPTION
		1	3, 7		02, 06				Stamp nbr A0008603326
	05124954AA	1	2, 6		11, 12, 14, 15, 16				Stamp nbr A0008604826
		1	2, 6		51, 52, 54, 55, 56				Stamp nbr A0008604826
		1	3, 7		02, 06				Stamp nbr A0008604826
		1	3, 7		12, 15, 16				Stamp nbr A0008604826
7									GROMMET, Windshield Washer Pump
	05125939AA	1	3, 7		02, 06				
		1	3, 7		12, 15, 16				
8									CLIP, Washer Hose
	05133994AA	1	2, 6		11, 12, 14, 15, 16				
		1	2, 6		51, 52, 54, 55, 56				
	05133995AA	1	3, 7		02, 06				
		1	3, 7		12, 15, 16				
9									GROMMET, Windshield Washer Pump
	05125077AA	1	2, 6		01, 02, 06				
		1	3, 7		02, 06				
10									HOSE, Windshield Washer
	05125066AA	1	2, 6		16, 11, 12, 14, 15				
		1	2, 6		51, 52, 54, 55, 56				
	05133996AA	1	3, 7		02, 06				1 Meter Long
		1	3, 7		12, 15, 16				1 Meter Long
11									CHECK VALVE, Washer
	05124963AA	1	2, 6		11, 12, 14, 15, 16				

SPRINTER (VA)				
SERIES	LINE	BODY	ENGINE	TRANSMISSION
L = LOWLINE	3 = HD DODGE 2WD 8 = HD DODGE 4WD 6 = Lt. Duty DODGE 4WD 2 = Med. Duty DODGE 2WD 7 = Med. Duty DODGE 4WD 4 = TRUCK	12 = Van 140" 51 = Wagon 118" 52 = Wagon 140" 14 = Van 118" 15 = Van 140" 16 = Van 158" 54 = Wagon 118" 55 = Wagon 140" 56 = Wagon 158" 01 = Chassis Forward Control 118" 02 = Chassis Forward Control 140" 06 = Front Section 158" 11 = Van 118"	EX8 = Engine - 2.7L I5 Mercedes-Benz TD	DGJ = Transmission - 5-Spd Auto, MB

AR = use ase required - = Non illustrated part

**Windshield Wiper & Washer
Figure 23D-205**



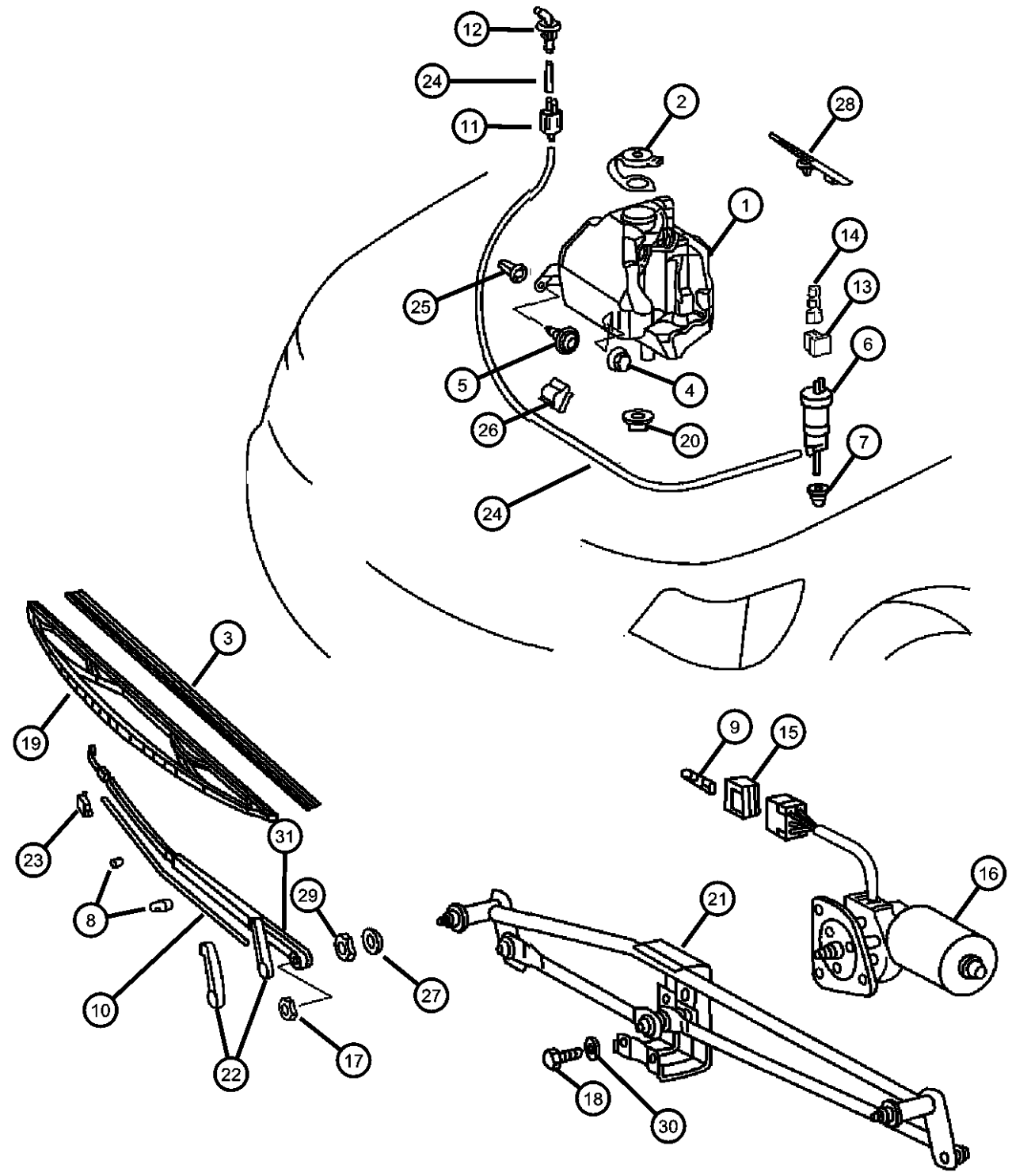
ITEM	PART NUMBER	QTY	LINE	SERIES	BODY	ENGINE	TRANS	TRIM	DESCRIPTION
		1	2, 6		51, 52, 54, 55, 56				
		1	3, 7		02, 06				
		1	3, 7		12, 15, 16				
12	05125061AA	2	2, 6		11, 12, 14, 15, 16				CONNECTOR, Washer Hose, Elbow Type
		2	2, 6		51, 52, 54, 55, 56				
		2	3, 7		02, 06				
		2	3, 7		12, 15, 16				
13	05103754AA	1	2, 6		01, 02, 06				INSULATOR, 2 Way Female
		2	3, 7		02, 06				
14	05114451AA	99	2, 6		01, 02, 06				TERMINAL, Female
		99	3, 7		02, 06				
15	05103870AA	1	2, 6		01, 02, 06				CONNECTOR
		1	3, 7		02, 06				
16	05103561AB	1	2, 3, 6, 7						MOTOR, Wiper
17	06104709AA	1	2, 6		11, 12, 14, 15, 16				NUT, M8
		4	2, 6		51, 52, 54, 55, 56				
		1	3, 7		02, 06				
		4	3, 7		12, 15, 16				
18	05073824AA	2	2, 6		01, 02, 06				SCREW

SPRINTER (VA)

SERIES	LINE	BODY	ENGINE	TRANSMISSION
L = LOWLINE	3 = HD DODGE 2WD 8 = HD DODGE 4WD 6 = Lt. Duty DODGE 4WD 2 = Med. Duty DODGE 2WD 7 = Med. Duty DODGE 4WD 4 = TRUCK	12 = Van 140" 51 = Wagon 118" 52 = Wagon 140" 14 = Van 118" 15 = Van 140" 16 = Van 158" 54 = Wagon 118" 55 = Wagon 140" 56 = Wagon 158" 01 = Chassis Forward Control 118" 02 = Chassis Forward Control 140" 06 = Front Section 158" 11 = Van 118"	EX8 = Engine - 2.7L I5 Mercedes-Benz TD	DGJ = Transmission - 5-Spd Auto, MB

AR = use ase required - = Non illustrated part

**Windshield Wiper & Washer
Figure 23D-205**



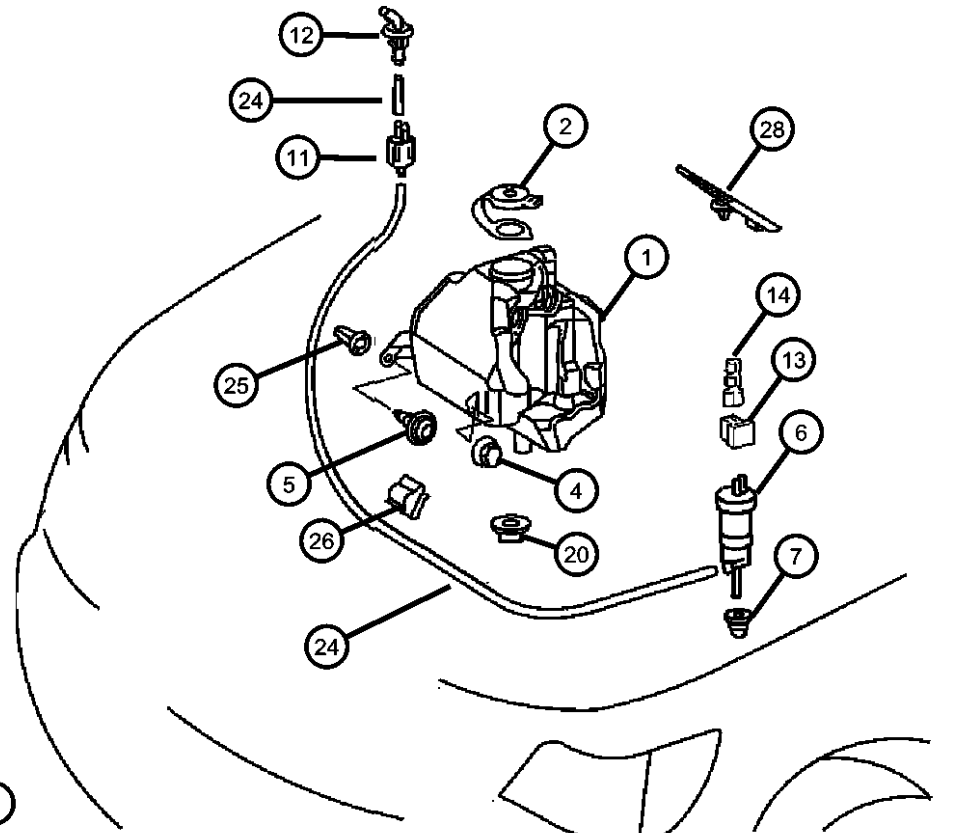
ITEM	PART NUMBER	QTY	LINE	SERIES	BODY	ENGINE	TRANS	TRIM	DESCRIPTION
		1	3, 7		02, 06				
19									WIPER BLADE
	05124454AA	1							Driver side wiper
	05124455AA	1	2, 6		11, 12, 14, 15, 16				Passenger wiper
		1	3, 7		12, 15, 16				
20									GROMMET, Washer Reservoir
	05125941AA	2	2, 6		11, 12, 14, 15, 16				
		2	2, 6		51, 52, 54, 55, 56				
		2	3, 7		02, 06				
		2	3, 7		12, 15, 16				
21		2							LINKAGE, Wiper Arm, (NOT SERVICED)
22		2							COVER, Wiper Arm, (NOT SERVICED)
23	05103698AA	1	2, 3, 6, 7						NOZZLE, Washer, Windshield
24									HOSE, Windshield Washer
	05125066AA	1	2, 6		01, 02, 06				
		1	3, 7		02, 06				
25		1							PLUG, Push Lock, (NOT SERVICED)
26									CLIP
	06507148AA	8	2, 6		51, 52, 54, 55, 56				
		8	3, 7		12, 15, 16				
27		8							WASHER, (NOT SERVICED)
28									STRAP, Tie
	05133690AA	8	2, 6		01, 02, 06				
		8	3, 7		02, 06				
29		8							NUT, (NOT SERVICED)

SPRINTER (VA)					
SERIES	LINE	BODY	ENGINE	TRANSMISSION	
L = LOWLINE	3 = HD DODGE 2WD 8 = HD DODGE 4WD 6 = Lt. Duty DODGE 4WD 2 = Med. Duty DODGE 2WD 7 = Med. Duty DODGE 4WD 4 = TRUCK	12 = Van 140" 51 = Wagon 118" 52 = Wagon 140" 14 = Van 118" 15 = Van 140" 16 = Van 158" 54 = Wagon 118" 55 = Wagon 140" 56 = Wagon 158" 01 = Chassis Forward Control 118" 02 = Chassis Forward Control 140" 06 = Front Section 158" 11 = Van 118"	EX8 = Engine - 2.7L I5 Mercedes-Benz TD	DGJ = Transmission - 5-Spd Auto, MB	

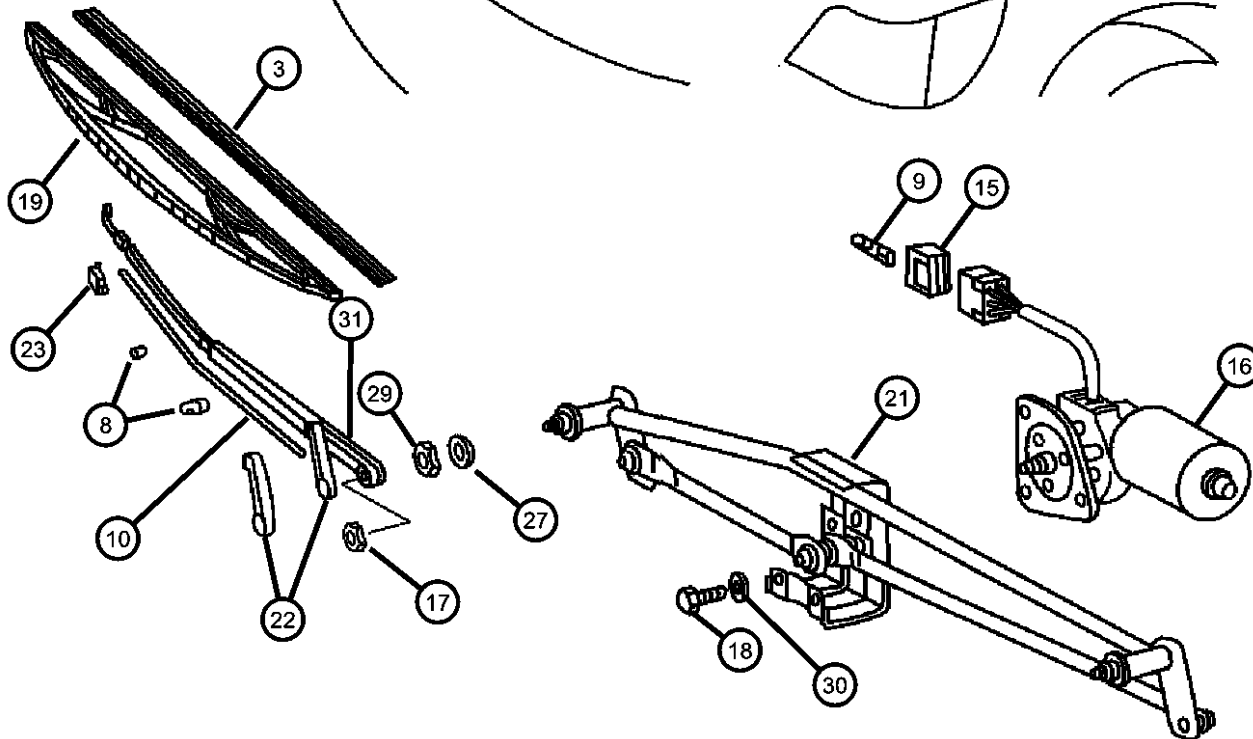
AR = use ase required - = Non illustrated part

**Windshield Wiper & Washer
Figure 23D-205**

ITEM	PART NUMBER	QTY	LINE	SERIES	BODY	ENGINE	TRANS	TRIM	DESCRIPTION
------	-------------	-----	------	--------	------	--------	-------	------	-------------



30		8							WASHER, (NOT SERVICED)
31									ARM, Wiper
	05104458AA	1	3, 7		12, 15, 16				Left
	05104460AA	1	3, 7		12, 15, 16				Right



SPRINTER (VA)

SERIES	LINE	BODY	ENGINE	TRANSMISSION
L = LOWLINE	3 = HD DODGE 2WD 8 = HD DODGE 4WD 6 = Lt. Duty DODGE 4WD 2 = Med. Duty DODGE 2WD 7 = Med. Duty DODGE 4WD 4 = TRUCK	12 = Van 140" 51 = Wagon 118" 52 = Wagon 140" 14 = Van 118" 15 = Van 140" 16 = Van 158" 54 = Wagon 118" 55 = Wagon 140" 56 = Wagon 158"	EX8 = Engine - 2.7L I5 Mercedes-Benz TD	DGJ = Transmission - 5-Spd Auto, MB
		01 = Chassis Forward Control 118"		
		02 = Chassis Forward Control 140"		
		06 = Front Section 158"		
		11 = Van 118"		

AR = use ase required - = Non illustrated part

Group - 24

Air Conditioning & Heater

Group - 24 Air Conditioning & Heater

Illustration Title

Group-Fig. No.

Air Conditioner and Heater Units

Hevac Unit, Front.....Fig. 24 - 130

Air Conditioner and Heater Plumbing

Heat Exchanger and Plumbing.....Fig. 24 - 250
 Plumbing, Heater.....Fig. 24 - 260
 Plumbing, Heater with Auxiliary warm water Heater.....Fig. 24 - 265
 Plumbing, Air Conditioning.....Fig. 24 - 270
 Condenser, Fan Front.....Fig. 24 - 280
 Condenser, Fan Roof.....Fig. 24 - 285
 Auxiliary Warm Water Heater.....Fig. 24 - 290

Air Conditioner and Heater Controls

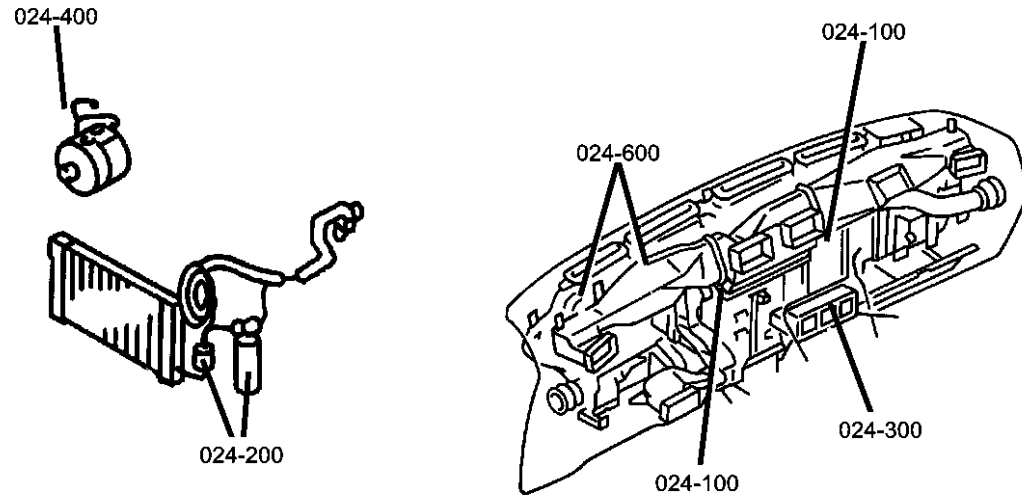
Control.....Fig. 24 - 320

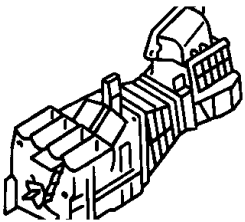
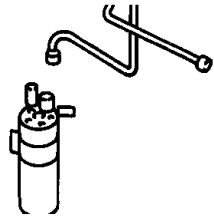
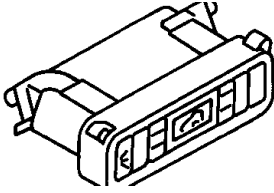
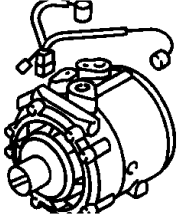
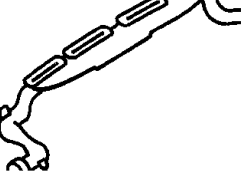
Air Conditioning Compressor

Compressor and Mounting.....Fig. 24 - 420

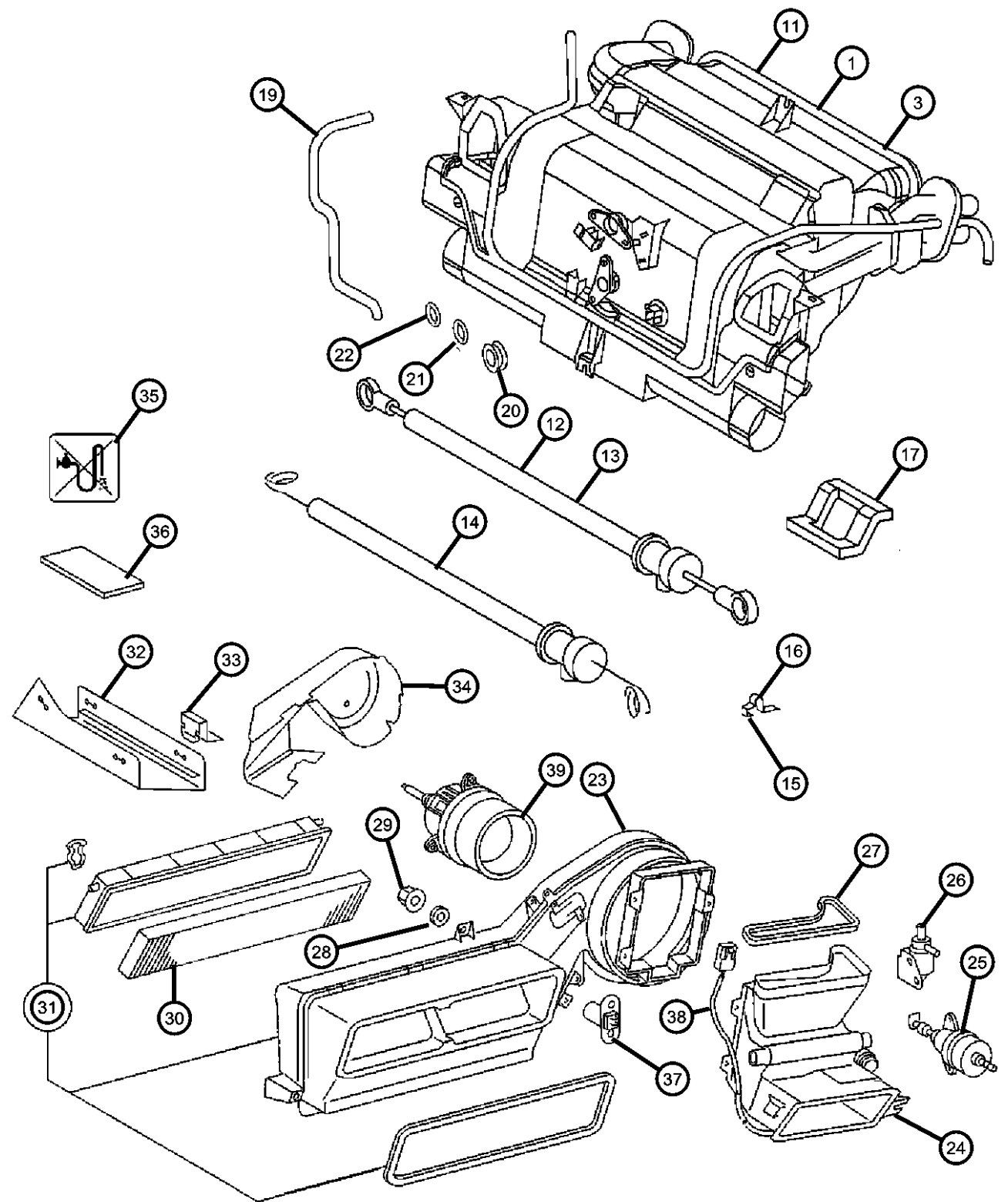
Air Ducts and Outlets

Air Ducts And Outlets, Front.....Fig. 24 - 630
 Air Ducts And Outlets, Rear.....Fig. 24 - 640
 Ventilator, Roof Mounted.....Fig. 24 - 650



<p>024-100 Air Conditioner and Heater Units</p> 	<p>024-200 Air Conditioner and Heater Plumbing</p> 	<p>024-300 Air Conditioner and Heater Controls</p> 	<p>024-400 Air Conditioning Compressor</p> 
<p>024-600 Air Ducts and Outlets</p> 			

Hevac Unit, Front
Figure 24-130

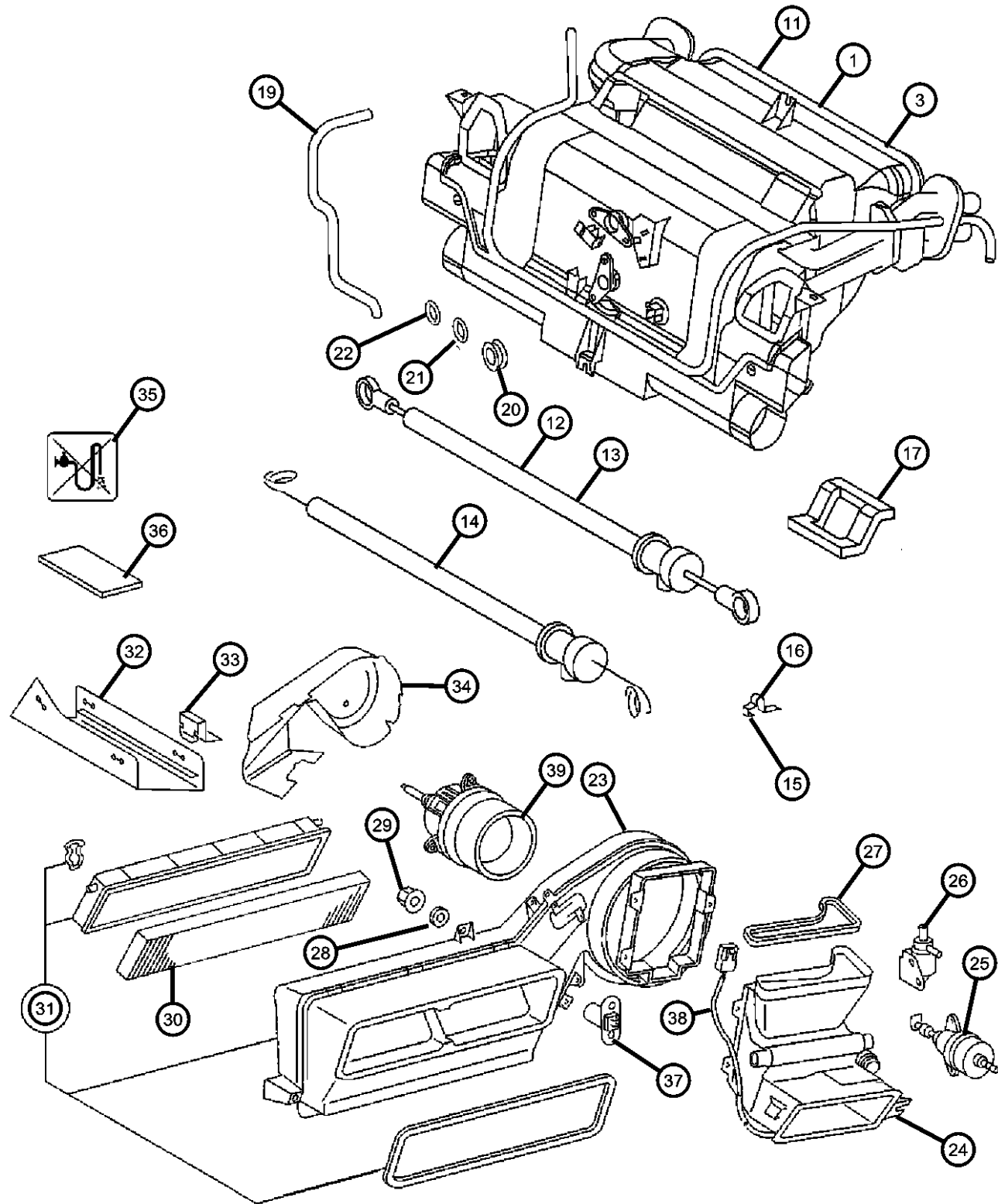


ITEM	PART NUMBER	QTY	LINE	SERIES	BODY	ENGINE	TRANS	TRIM	DESCRIPTION
1	05133422AA	1	2, 6		01, 02, 06	EX8			HEATER
		1	2, 6		11, 12, 14, 15, 16	EX8			
		1	2, 6		51, 52, 54, 55, 56	EX8			
		1	3, 7		02, 06	EX8			
		1	3, 7		12, 15, 16	EX8			
-2	06104610AA	4	2, 6		11, 12, 14, 15, 16	EX8			SCREW, Attaching
		4	2, 6		51, 52, 54, 55, 56	EX8			
		4	3, 7		02, 06	EX8			
		4	3, 7		12, 15, 16	EX8			
3	05134379AA	1	2, 6		01, 02, 06	EX8			HEATER AND A/C UNIT, Includes items 3 - 9
		1	2, 6		11, 12, 14, 15, 16	EX8			
		1	2, 6		51, 52, 54, 55, 56	EX8			
		1	3, 7		02, 06	EX8			
		1	3, 7		12, 15, 16	EX8			
-4	05133424AA	1	2, 6		01, 02, 06	EX8			OUTLET, Air Conditioning & Heater
		1	6, 2		11, 12, 14, 15, 16	EX8			
		1	2, 6		51, 52, 54, 55, 56	EX8			
		1	3, 7		02, 06	EX8			
		1	3, 7		12, 15, 16	EX8			
-5	05103773AA	1	2, 6		01, 02, 06	EX8			GASKET

SPRINTER (VA)
SERIES **LINE** **BODY** **ENGINE** **TRANSMISSION**
L = LOWLINE 3 = HD DODGE 2WD 12 = Van 140" EX8 = Engine - 2.7L I5 DGJ = Transmission - 5-Spd Auto, MB
 8 = HD DODGE 4WD 51 = Wagon 118" Mercedes-Benz TD
 6 = Lt. Duty DODGE 4WD 52 = Wagon 140"
 2 = Med. Duty DODGE 2WD 14 = Van 118"
 7 = Med. Duty DODGE 4WD 15 = Van 140"
 4 = TRUCK 16 = Van 158"
 54 = Wagon 118"
 55 = Wagon 140"
 56 = Wagon 158"
 01 = Chassis Forward Control 118"
 02 = Chassis Forward Control 140"
 06 = Front Section 158"
 11 = Van 118"

AR = use ase required - = Non illustrated part

Hevac Unit, Front
Figure 24-130



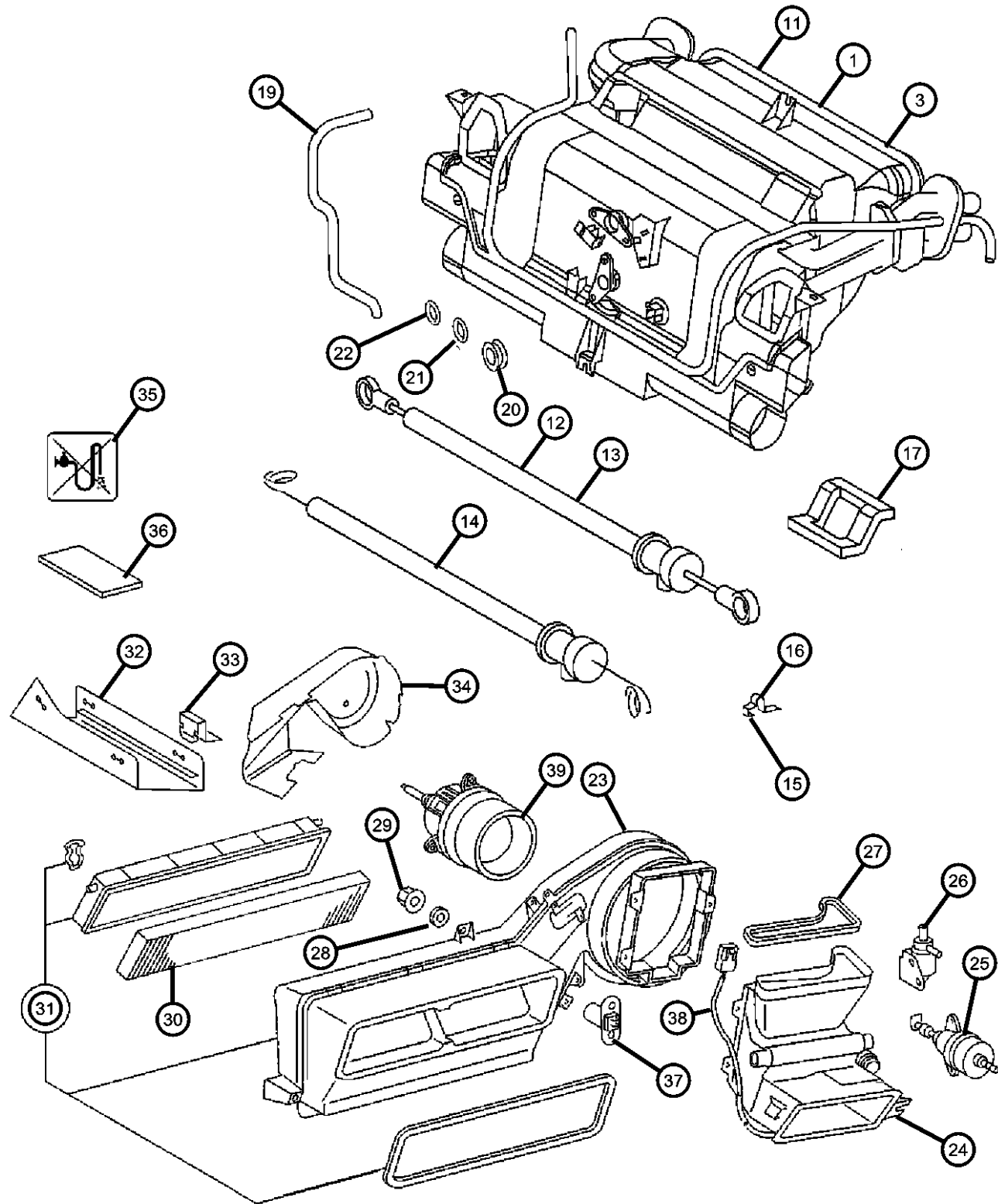
ITEM	PART NUMBER	QTY	LINE	SERIES	BODY	ENGINE	TRANS	TRIM	DESCRIPTION
		1	2, 6		11, 12, 14, 15, 16	EX8			
		1	2, 6		51, 52, 54, 55, 56	EX8			
		1	3, 7		12, 15, 16	EX8			
		1	7, 3		02, 06	EX8			
-6	05103809AA	1	2, 6		01, 02, 06	EX8			VALVE
		1	2, 6		11, 12, 14, 15, 16	EX8			
		1	2, 6		51, 52, 54, 55, 56	EX8			
		1	3, 7		02, 06	EX8			
		1	3, 7		12, 15, 16	EX8			
-7	05133425AA	1	2, 6		01, 02, 06	EX8			TUBE
		1	2, 6		11, 12, 14, 15, 16	EX8			
		1	2, 6		51, 52, 54, 55, 56	EX8			
		1	3, 7		02, 06	EX8			
		1	3, 7		12, 15, 16	EX8			
-8	05133426AA	1	2, 6		01, 02, 06	EX8			HEATER, Exchanger
		1	2, 6		11, 12, 14, 15, 16	EX8			
		1	2, 6		51, 52, 54, 55, 56	EX8			
		1	3, 7		02, 06	EX8			
		1	3, 7		12, 15, 16	EX8			
-9	05103694AA	1	2, 6		01, 02, 06	EX8			EVAPORATOR, Air Conditioning

SPRINTER (VA)

SERIES	LINE	BODY	ENGINE	TRANSMISSION
L = LOWLINE	3 = HD DODGE 2WD 8 = HD DODGE 4WD 6 = Lt. Duty DODGE 4WD 2 = Med. Duty DODGE 2WD 7 = Med. Duty DODGE 4WD 4 = TRUCK	12 = Van 140" 51 = Wagon 118" 52 = Wagon 140" 14 = Van 118" 15 = Van 140" 16 = Van 158" 54 = Wagon 118" 55 = Wagon 140" 56 = Wagon 158" 01 = Chassis Forward Control 118" 02 = Chassis Forward Control 140" 06 = Front Section 158" 11 = Van 118"	EX8 = Engine - 2.7L I5 Mercedes-Benz TD	DGJ = Transmission - 5-Spd Auto, MB

AR = use ase required - = Non illustrated part

Hevac Unit, Front
Figure 24-130



ITEM	PART NUMBER	QTY	LINE	SERIES	BODY	ENGINE	TRANS	TRIM	DESCRIPTION
------	-------------	-----	------	--------	------	--------	-------	------	-------------

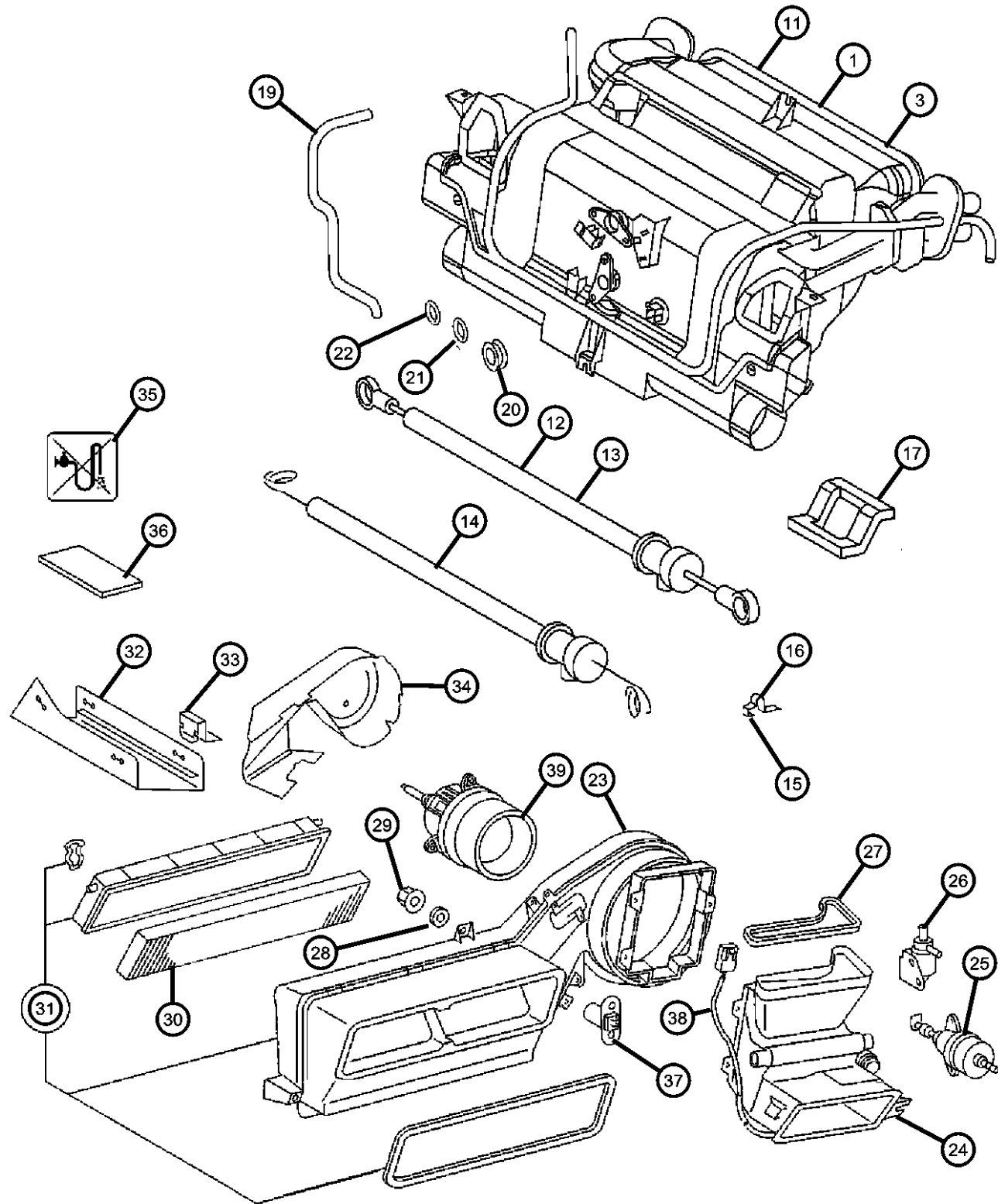
		1	2, 6		11, 12, 14, 15, 16	EX8			
		1	3, 7		02, 06	EX8			
		1	3, 7		12, 15, 16	EX8			
		1	2, 6		51, 52, 54, 55, 56	EX8			
-10									SENSOR, Temperature
	05103937AA	1	2, 6		01, 02, 06	EX8			Flat Plug Version
		1	2, 6		11, 12, 14, 15, 16	EX8			Flat Plug Version
		1	2, 6		51, 52, 54, 55, 56	EX8			Flat Plug Version
		1	3, 7		02, 06	EX8			Flat Plug Version
		1	3, 7		12, 15, 16	EX8			Flat Plug Version
	05133427AA	1	2, 6		01, 02, 06	EX8			
		1	2, 6		11, 12, 14, 15, 16	EX8			
		1	2, 6		51, 52, 54, 55, 56	EX8			
		1	3, 7		02, 06	EX8			
		1	3, 7		12, 15, 16	EX8			
11									CONTROL, Electronic
	05104477AA	1	2, 6		01, 02, 06	EX8			
		1	3, 7		02, 06	EX8			
		1	3, 7		12, 15, 16	EX8			
		1	2, 6		11, 12, 14, 15, 16	EX8			
		1	2, 6		51, 52, 54, 55, 56	EX8			
12									CABLE, A/C And Heater Control
	05104492AA	1	2, 6		11, 12, 14, 15, 16	EX8			

SPRINTER (VA)

SERIES	LINE	BODY	ENGINE	TRANSMISSION
L = LOWLINE	3 = HD DODGE 2WD	12 = Van 140"	EX8 = Engine - 2.7L I5	DGJ = Transmission - 5-Spd Auto, MB
	8 = HD DODGE 4WD	51 = Wagon 118"	Mercedes-Benz TD	
	6 = Lt. Duty DODGE 4WD	52 = Wagon 140"		
	2 = Med. Duty DODGE 2WD	14 = Van 118"		
	7 = Med. Duty DODGE 4WD	15 = Van 140"		
	4 = TRUCK	16 = Van 158"		
		54 = Wagon 118"		
		55 = Wagon 140"		
		56 = Wagon 158"		
		01 = Chassis Forward Control 118"		
		02 = Chassis Forward Control 140"		
		06 = Front Section 158"		
		11 = Van 118"		

AR = use ase required - = Non illustrated part

Hevac Unit, Front
Figure 24-130



ITEM	PART NUMBER	QTY	LINE	SERIES	BODY	ENGINE	TRANS	TRIM	DESCRIPTION
		1	2, 6		51, 52, 54, 55, 56	EX8			
		1	3, 7		02, 06	EX8			
		1	3, 7		12, 15, 16	EX8			
		1	2, 6		01, 02, 06	EX8			
13									CABLE, A/C And Heater Control, Defrost
	05104493AA	1	2, 6		01, 02, 06	EX8			
		1	2, 6		11, 12, 14, 15, 16	EX8			
		1	2, 6		51, 52, 54, 55, 56	EX8			
		1	3, 7		02, 06	EX8			
		1	3, 7		12, 15, 16	EX8			
14									CABLE, A/C And Heater Control, Water Valve
	05104494AA	1	2, 6		01, 02, 06	EX8			
		1	2, 6		11, 12, 14, 15, 16	EX8			
		1	2, 6		51, 52, 54, 55, 56	EX8			
		1	3, 7		02, 06	EX8			
		1	3, 7		12, 15, 16	EX8			
15									CLIP
	05125562AA	1	2, 6		01, 02, 06	EX8			
		1	2, 6		11, 12, 14, 15, 16	EX8			
		1	2, 6		51, 52, 54, 55, 56	EX8			
		1	3, 7		02, 06	EX8			
		1	3, 7		12, 15, 16	EX8			
16									CLIP, Cable

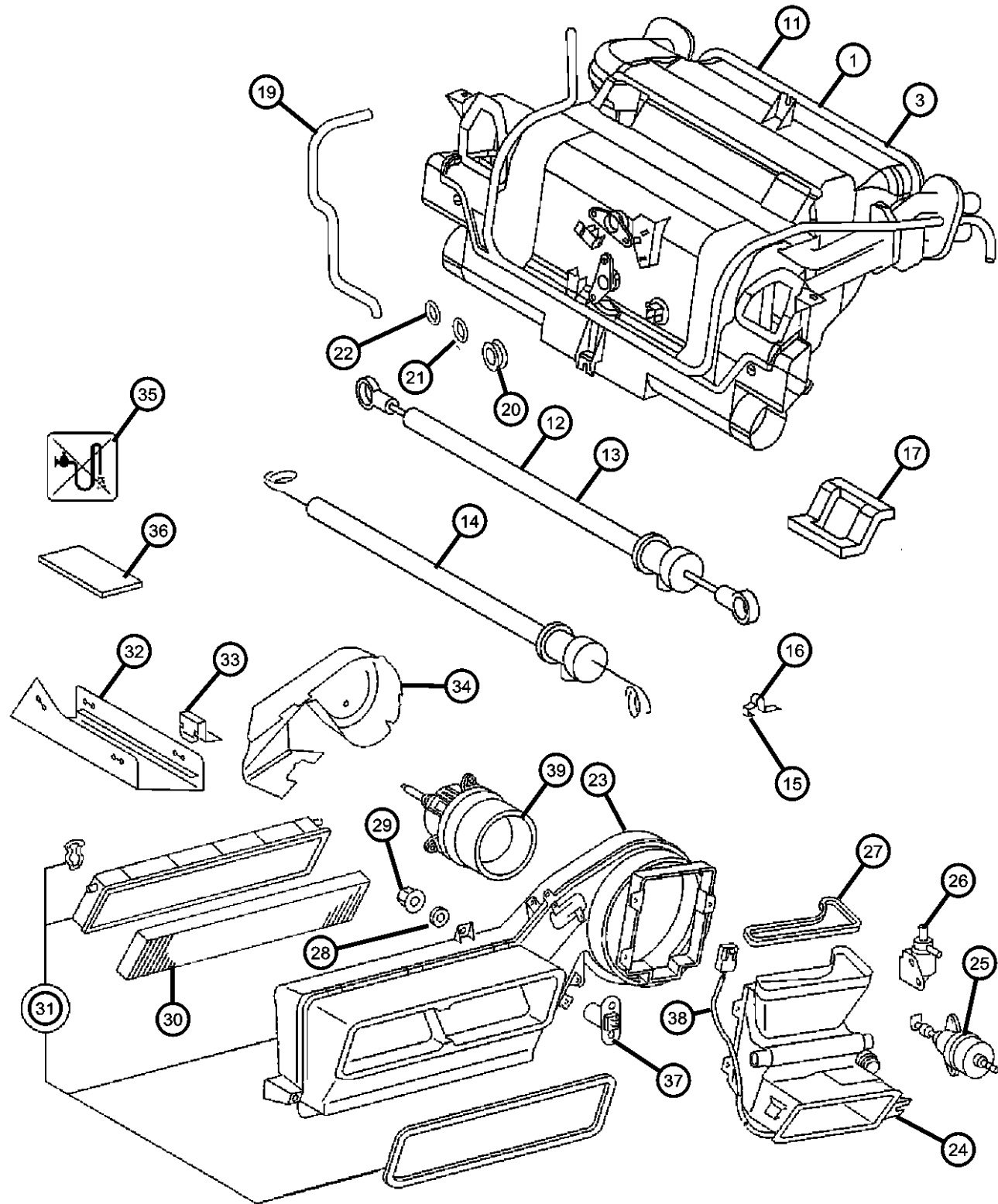
SPRINTER (VA)

SERIES	LINE	BODY	ENGINE	TRANSMISSION
L = LOWLINE	3 = HD DODGE 2WD 8 = HD DODGE 4WD 6 = Lt. Duty DODGE 4WD 2 = Med. Duty DODGE 2WD 7 = Med. Duty DODGE 4WD 4 = TRUCK	12 = Van 140" 51 = Wagon 118" 52 = Wagon 140" 14 = Van 118" 15 = Van 140" 16 = Van 158" 54 = Wagon 118" 55 = Wagon 140" 56 = Wagon 158"	EX8 = Engine - 2.7L I5 Mercedes-Benz TD	DGJ = Transmission - 5-Spd Auto, MB
		01 = Chassis Forward Control 118" 02 = Chassis Forward Control 140" 06 = Front Section 158" 11 = Van 118"		

AR = use ase required - = Non illustrated part

2005 VA

Hevac Unit, Front
Figure 24-130



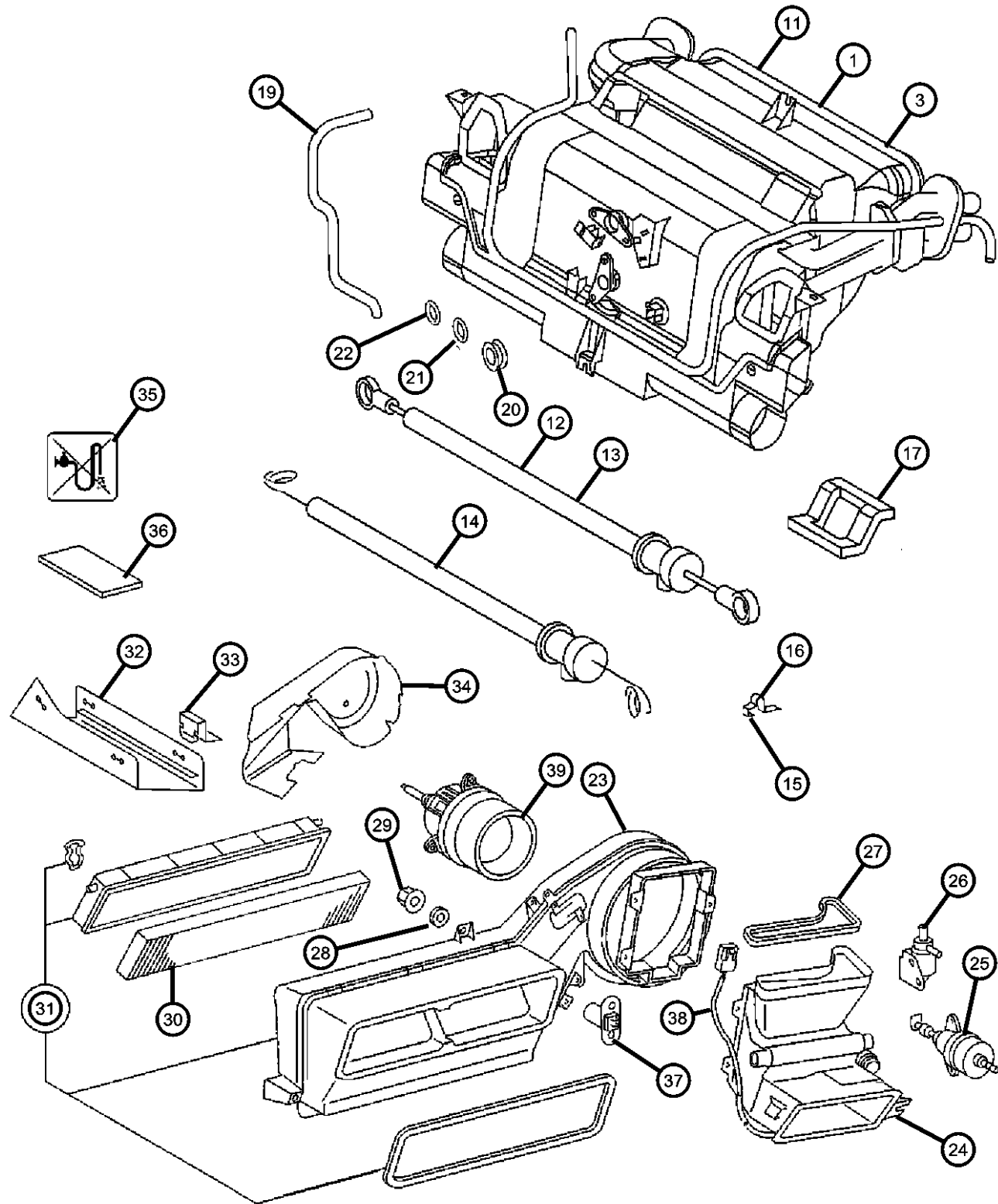
ITEM	PART NUMBER	QTY	LINE	SERIES	BODY	ENGINE	TRANS	TRIM	DESCRIPTION
	05103693AA	1	2, 6		11, 12, 14, 15, 16	EX8			
		1	2, 6		51, 52, 54, 55, 56	EX8			
		1	3, 7		02, 06	EX8			
		1	3, 7		12, 15, 16	EX8			
		1	2, 6		01, 02, 06	EX8			
17									SEAL
	05124786AA	2	2, 6		11, 12, 14, 15, 16	EX8			
		2	2, 6		51, 52, 54, 55, 56	EX8			
		2	3, 7		02, 06	EX8			
		2	3, 7		12, 15, 16	EX8			
-18									CLIP, Hose
	05119332AA	1	2, 6		01, 02, 06	EX8			
		1	2, 6		11, 12, 14, 15, 16	EX8			
		1	2, 6		51, 52, 54, 55, 56	EX8			
		1	3, 7		02, 06	EX8			
		1	3, 7		12, 15, 16	EX8			
19									HOSE
	05124827AA	1	2, 6		01, 02, 06	EX8			
		1	2, 6		11, 12, 14, 15, 16	EX8			
		1	2, 6		51, 52, 54, 55, 56	EX8			
		1	3, 7		02, 06	EX8			
		1	3, 7		12, 15, 16	EX8			
20									GROMMET
	05125938AA	1	2, 6		01, 02, 06	EX8			

SPRINTER (VA)

SERIES	LINE	BODY	ENGINE	TRANSMISSION
L = LOWLINE	3 = HD DODGE 2WD 8 = HD DODGE 4WD 6 = Lt. Duty DODGE 4WD 2 = Med. Duty DODGE 2WD 7 = Med. Duty DODGE 4WD 4 = TRUCK	12 = Van 140" 51 = Wagon 118" 52 = Wagon 140" 14 = Van 118" 15 = Van 140" 16 = Van 158" 54 = Wagon 118" 55 = Wagon 140" 56 = Wagon 158" 01 = Chassis Forward Control 118" 02 = Chassis Forward Control 140" 06 = Front Section 158" 11 = Van 118"	EX8 = Engine - 2.7L I5 Mercedes-Benz TD	DGJ = Transmission - 5-Spd Auto, MB

AR = use ase required - = Non illustrated part

Hevac Unit, Front
Figure 24-130



ITEM	PART NUMBER	QTY	LINE	SERIES	BODY	ENGINE	TRANS	TRIM	DESCRIPTION
		1	2, 6		11, 12, 14, 15, 16	EX8			
		1	2, 6		51, 52, 54, 55, 56	EX8			
		1	3, 7		12, 15, 16	EX8			
		1	3, 7		02, 06	EX8			
21									O RING, A/C Line
	05098971AA	1	2, 6		01, 02, 06	EX8			
		1	2, 6		11, 12, 14, 15, 16	EX8			
		1	2, 6		51, 52, 54, 55, 56	EX8			
		1	3, 7		02, 06	EX8			
		1	3, 7		12, 15, 16	EX8			
22									O RING, A/C Line
	05098972AA	1	2, 6		01, 02, 06	EX8			
		1	2, 6		11, 12, 14, 15, 16	EX8			
		1	2, 6		51, 52, 54, 55, 56	EX8			
		1	3, 7		02, 06	EX8			
		1	3, 7		12, 15, 16	EX8			
23									HOUSING, Heater
	05124712AA	1	2, 6		01, 02, 06	EX8			[-HAB]
		1	2, 6		11, 12, 14, 15, 16	EX8			[-HAB]
		1	2, 6		51, 52, 54, 55, 56	EX8			[-HAB]
		1	3, 7		02, 06	EX8			[-HAB]
		1	3, 7		12, 15, 16	EX8			[-HAB]
	05124713AA	1	2, 6		01, 02, 06	EX8			[HAB]
		1	2, 6		11, 12, 14, 15, 16	EX8			[HAB]

SPRINTER (VA)

SERIES

L = LOWLINE

LINE

3 = HD DODGE 2WD
8 = HD DODGE 4WD
6 = Lt. Duty DODGE 4WD
2 = Med. Duty DODGE 2WD
7 = Med. Duty DODGE 4WD
4 = TRUCK

BODY

12 = Van 140"
51 = Wagon 118"
52 = Wagon 140"
14 = Van 118"
15 = Van 140"
16 = Van 158"
54 = Wagon 118"
55 = Wagon 140"
56 = Wagon 158"
01 = Chassis Forward Control 118"
02 = Chassis Forward Control 140"
06 = Front Section 158"
11 = Van 118"

ENGINE

EX8 = Engine - 2.7L I5 Mercedes-Benz TD

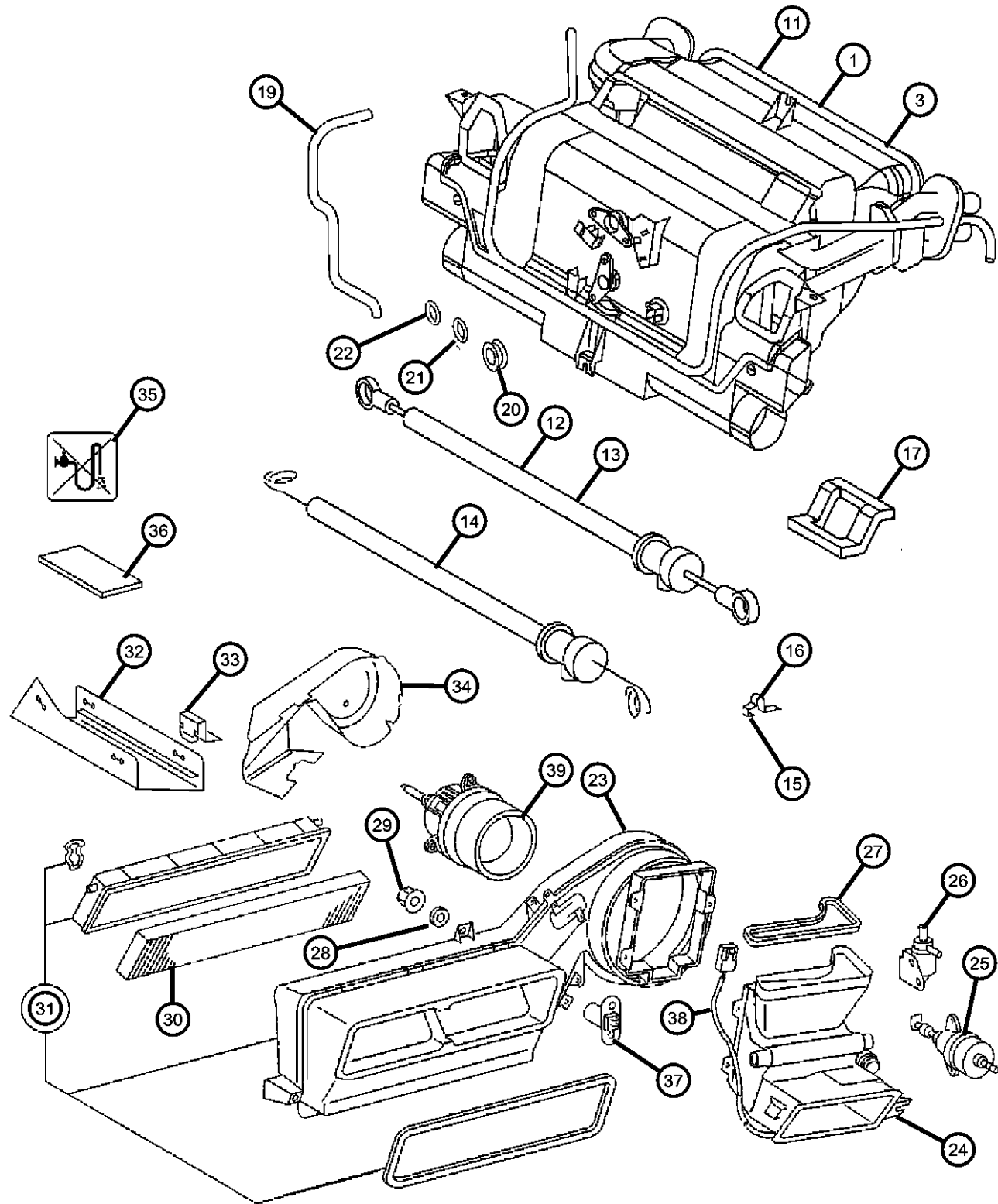
TRANSMISSION

DGJ = Transmission - 5-Spd Auto, MB

AR = use ase required - = Non illustrated part

2005 VA

Hevac Unit, Front
Figure 24-130



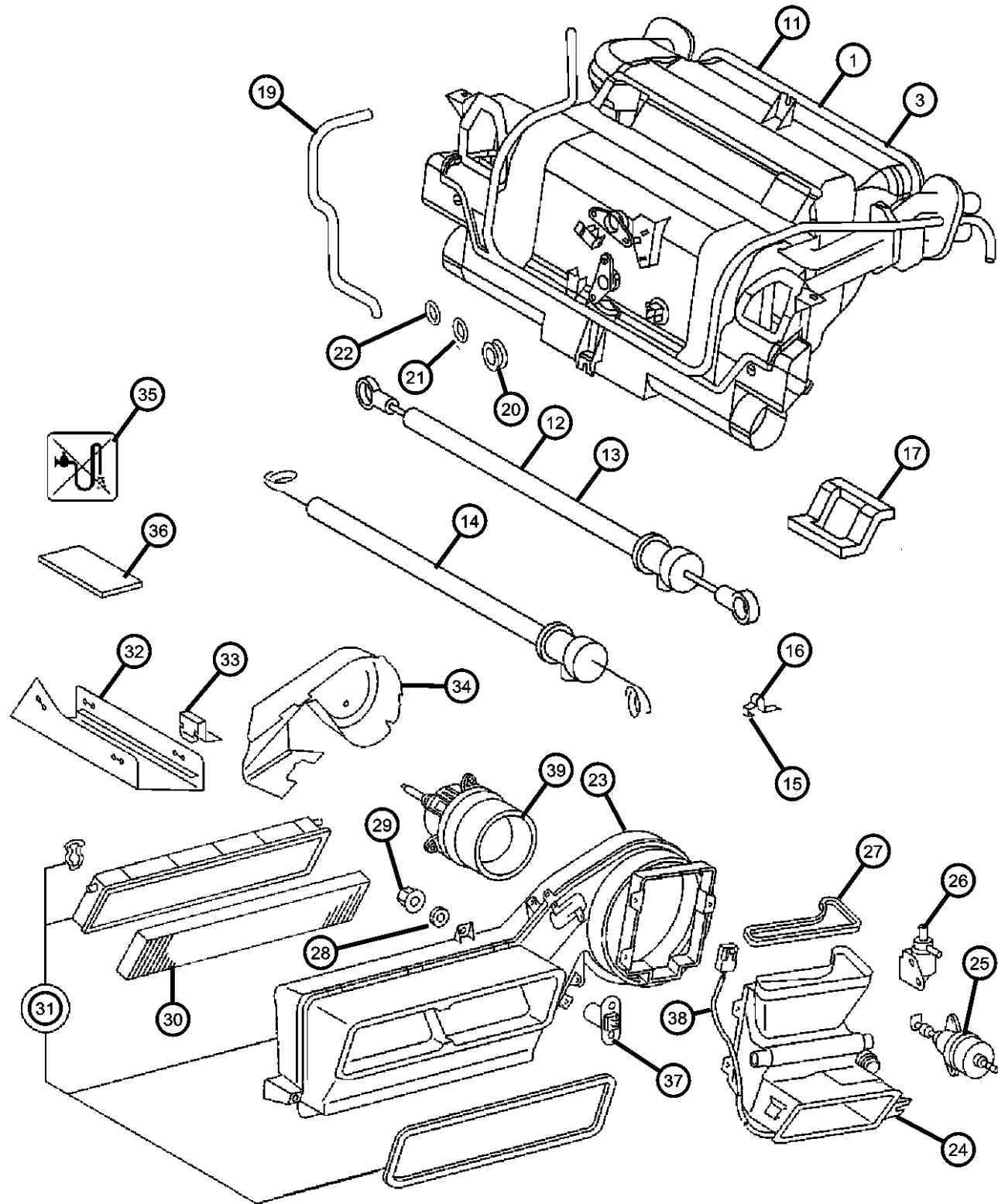
ITEM	PART NUMBER	QTY	LINE	SERIES	BODY	ENGINE	TRANS	TRIM	DESCRIPTION
		1	2, 6		51, 52, 54, 55, 56	EX8			[HAB]
		1	3, 7		02, 06	EX8			[HAB]
		1	3, 7		12, 15, 16	EX8			[HAB]
24									DUCT, Air Outlet
	05133430AA	1	2, 6		01, 02, 06	EX8			
		1	2, 6		11, 12, 14, 15, 16	EX8			
		1	2, 6		51, 52, 54, 55, 56	EX8			
		1	3, 7		02, 06	EX8			
		1	3, 7		12, 15, 16	EX8			
25									ACTUATOR, A/C and Heater
	05133441AA	1	2, 6		01, 02, 06	EX8			
		1	2, 6		11, 12, 14, 15, 16	EX8			
		1	2, 6		51, 52, 54, 55, 56	EX8			
		1	3, 7		02, 06	EX8			
		1	3, 7		12, 15, 16	EX8			
26									VALVE
	05133433AA	1	2, 6		01, 02, 06	EX8			
		1	6, 2		11, 12, 14, 15, 16	EX8			
		1	2, 6		51, 52, 54, 55, 56	EX8			
		1	3, 7		02, 06	EX8			
		1	3, 7		12, 15, 16	EX8			
27									SEAL
	05124770AA	1	2, 6		01, 02, 06	EX8			
		1	2, 6		11, 12, 14, 15, 16	EX8			

SPRINTER (VA)

SERIES	LINE	BODY	ENGINE	TRANSMISSION
L = LOWLINE	3 = HD DODGE 2WD 8 = HD DODGE 4WD 6 = Lt. Duty DODGE 4WD 2 = Med. Duty DODGE 2WD 7 = Med. Duty DODGE 4WD 4 = TRUCK	12 = Van 140" 51 = Wagon 118" 52 = Wagon 140" 14 = Van 118" 15 = Van 140" 16 = Van 158" 54 = Wagon 118" 55 = Wagon 140" 56 = Wagon 158" 01 = Chassis Forward Control 118" 02 = Chassis Forward Control 140" 06 = Front Section 158" 11 = Van 118"	EX8 = Engine - 2.7L I5 Mercedes-Benz TD	DGJ = Transmission - 5-Spd Auto, MB

AR = use ase required - = Non illustrated part

Hevac Unit, Front
Figure 24-130



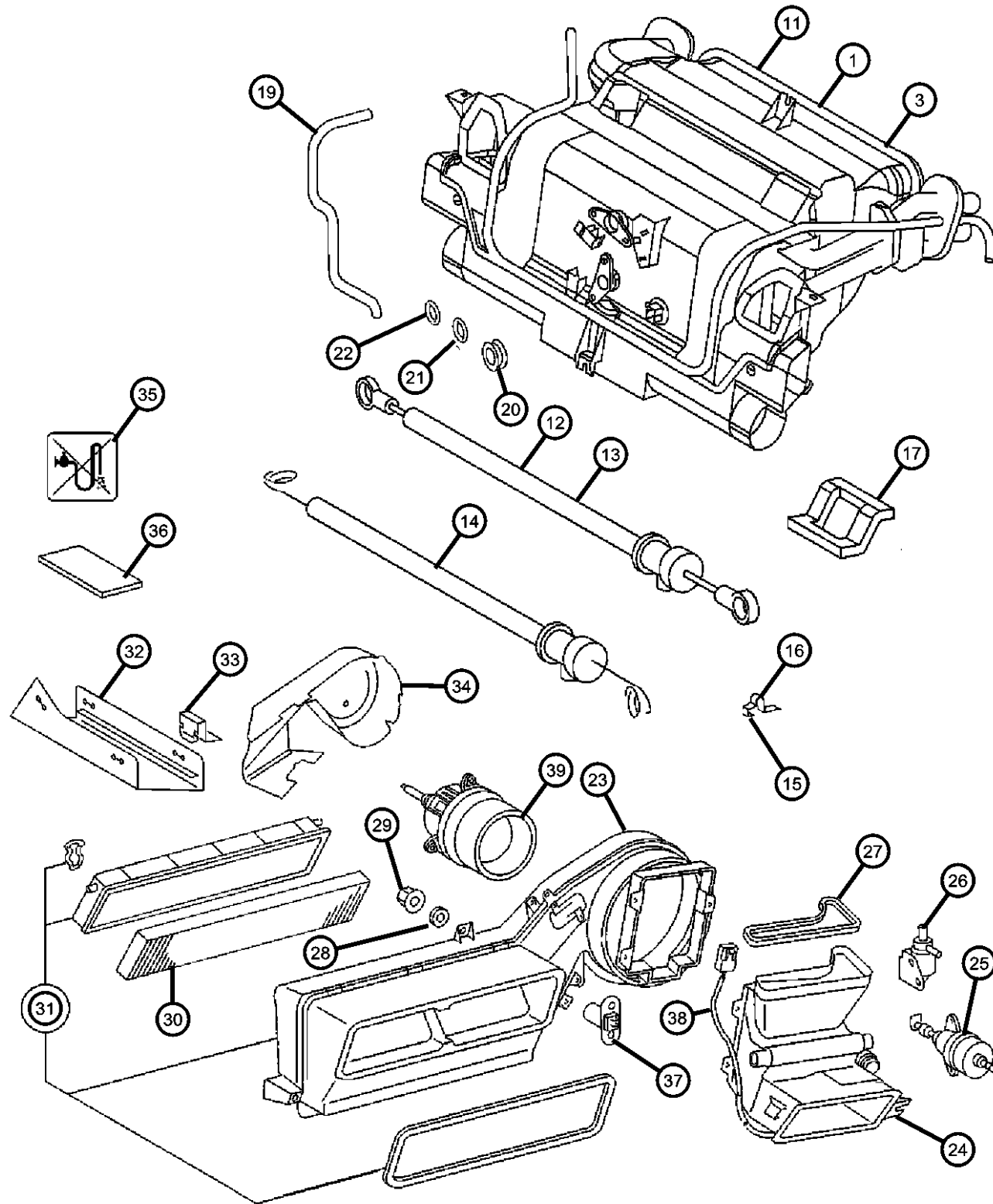
ITEM	PART NUMBER	QTY	LINE	SERIES	BODY	ENGINE	TRANS	TRIM	DESCRIPTION
		1	2, 6		51, 52, 54,	EX8			
		1	3, 7		02, 06	EX8			
		1	3, 7		12, 15, 16	EX8			
28		1							WASHER, 05133908aa, (NOT SERVICED)
29		1							NUT
	05125765AA	5	2, 6		01, 02, 06	EX8			
		5	2, 6		11, 12, 14,	EX8			
					15, 16				
		5	2, 6		51, 52, 54,	EX8			
					55, 56				
		5	3, 7		02, 06	EX8			
		5	3, 7		12, 15, 16	EX8			
30		1							FILTER, A/C and Heater Unit
	05103600AA	1	2, 6		01, 02, 06	EX8			
		1	2, 6		11, 12, 14,	EX8			
					15, 16				
		1	2, 6		51, 52, 54,	EX8			
					55, 56				
		1	3, 7		02, 06	EX8			
		1	3, 7		12, 15, 16	EX8			
31		1							COVER, A/C and Heater
	05133439AA	1	2, 6		11, 12, 14,	EX8			
					15, 16				
		1	2, 6		01, 02, 06	EX8			
		1	2, 6		51, 52, 54,	EX8			
					55, 56				
		1	3, 7		02, 06	EX8			
		1	3, 7		12, 15, 16	EX8			
32		1							ISOLATOR
	05124759AA	1	2, 6		01, 02, 06	EX8			

SPRINTER (VA)

SERIES	LINE	BODY	ENGINE	TRANSMISSION
L = LOWLINE	3 = HD DODGE 2WD 8 = HD DODGE 4WD 6 = Lt. Duty DODGE 4WD 2 = Med. Duty DODGE 2WD 7 = Med. Duty DODGE 4WD 4 = TRUCK	12 = Van 140" 51 = Wagon 118" 52 = Wagon 140" 14 = Van 118" 15 = Van 140" 16 = Van 158" 54 = Wagon 118" 55 = Wagon 140" 56 = Wagon 158" 01 = Chassis Forward Control 118" 02 = Chassis Forward Control 140" 06 = Front Section 158" 11 = Van 118"	EX8 = Engine - 2.7L I5 Mercedes-Benz TD	DGJ = Transmission - 5-Spd Auto, MB

AR = use ase required - = Non illustrated part

Hevac Unit, Front
Figure 24-130



ITEM	PART NUMBER	QTY	LINE	SERIES	BODY	ENGINE	TRANS	TRIM	DESCRIPTION
		1	2, 6		11, 12, 14, 15, 16	EX8			
		1	2, 6		51, 52, 54, 55, 56	EX8			
		1	3, 7		02, 06	EX8			
		1	3, 7		12, 15, 16	EX8			
33									CLIP
	05125571AA	5	2, 6		01, 02, 06	EX8			
		5	2, 6		11, 12, 14, 15, 16	EX8			
		5	2, 6		51, 52, 54, 55, 56	EX8			
		5	3, 7		02, 06	EX8			
		5	3, 7		12, 15, 16	EX8			
34									INSULATION, Blower Motor
	05124760AA	1	2, 6		01, 02, 06	EX8			
		1	2, 6		11, 12, 14, 15, 16	EX8			
		1	2, 6		51, 52, 54, 55, 56	EX8			
		1	3, 7		02, 06	EX8			
		1	3, 7		12, 15, 16	EX8			
35									LABEL
	05121077AA	1	2, 6		01, 02, 06	EX8			
		1	2, 6		11, 12, 14, 15, 16	EX8			
		1	2, 6		51, 52, 54, 55, 56	EX8			
		1	3, 7		02, 06	EX8			
		1	3, 7		12, 15, 16	EX8			
36									PAD
	05133443AA	5	2, 6		01, 02, 06	EX8			

SPRINTER (VA)

SERIES

L = LOWLINE

LINE

3 = HD DODGE 2WD
8 = HD DODGE 4WD
6 = Lt. Duty DODGE 4WD
2 = Med. Duty DODGE 2WD
7 = Med. Duty DODGE 4WD
4 = TRUCK

BODY

12 = Van 140"
51 = Wagon 118"
52 = Wagon 140"
14 = Van 118"
15 = Van 140"
16 = Van 158"
54 = Wagon 118"
55 = Wagon 140"
56 = Wagon 158"
01 = Chassis Forward Control 118"
02 = Chassis Forward Control 140"
06 = Front Section 158"
11 = Van 118"

ENGINE

EX8 = Engine - 2.7L I5 Mercedes-Benz TD

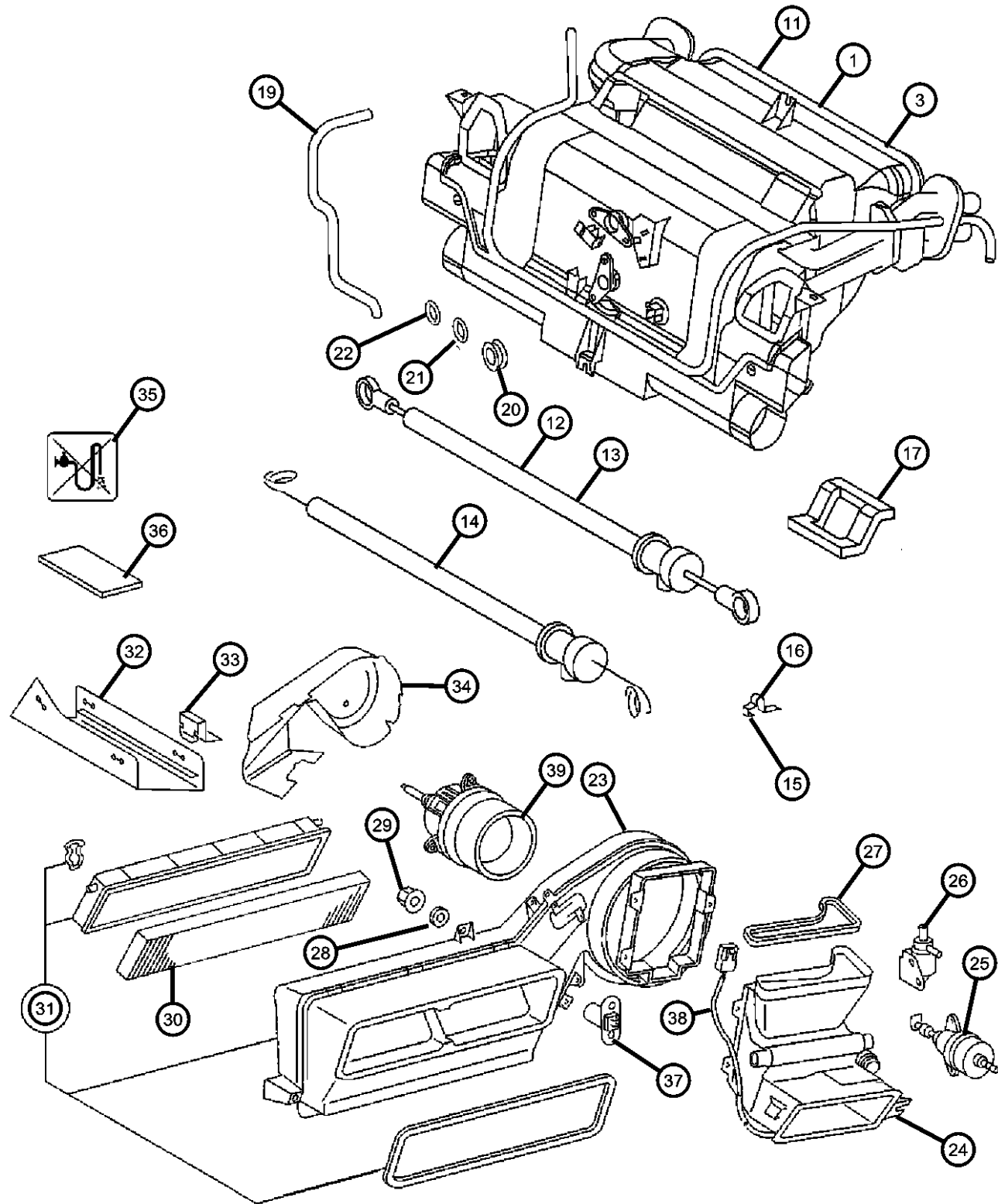
TRANSMISSION

DGJ = Transmission - 5-Spd Auto, MB

AR = use ase required - = Non illustrated part

2005 VA

Hevac Unit, Front
Figure 24-130



ITEM	PART NUMBER	QTY	LINE	SERIES	BODY	ENGINE	TRANS	TRIM	DESCRIPTION
		5	2, 6		11, 12, 14, 15, 16	EX8			
		5	2, 6		51, 52, 54, 55, 56	EX8			
		5	3, 7		12, 15, 16	EX8			
37									RESISTOR, Blower Motor
	05133432AA	1	2, 6		01, 02, 06	EX8			
		1	2, 6		11, 12, 14, 15, 16	EX8			
		1	2, 6		51, 52, 54, 55, 56	EX8			
		1	3, 7		02, 06	EX8			
		1	3, 7		12, 15, 16	EX8			
38									CABLE
	05133471AA	1	2, 6		01, 02, 06	EX8			
		1	2, 6		11, 12, 14, 15, 16	EX8			
		1	2, 6		51, 52, 54, 55, 56	EX8			
		1	3, 7		02, 06	EX8			
		1	7, 3		12, 15, 16	EX8			
39									BLOWER
	05133435AA	1	2, 6		01, 02, 06	EX8			
		1	2, 6		11, 12, 14, 15, 16	EX8			
		1	2, 6		51, 52, 54, 55, 56	EX8			
		1	3, 7		02, 06	EX8			
		1	3, 7		12, 15, 16	EX8			

SPRINTER (VA)

SERIES

L = LOWLINE

LINE

3 = HD DODGE 2WD
 8 = HD DODGE 4WD
 6 = Lt. Duty DODGE 4WD
 2 = Med. Duty DODGE 2WD
 7 = Med. Duty DODGE 4WD
 4 = TRUCK

BODY

12 = Van 140"
 51 = Wagon 118"
 52 = Wagon 140"
 14 = Van 118"
 15 = Van 140"
 16 = Van 158"
 54 = Wagon 118"
 55 = Wagon 140"
 56 = Wagon 158"
 01 = Chassis Forward Control 118"
 02 = Chassis Forward Control 140"
 06 = Front Section 158"
 11 = Van 118"

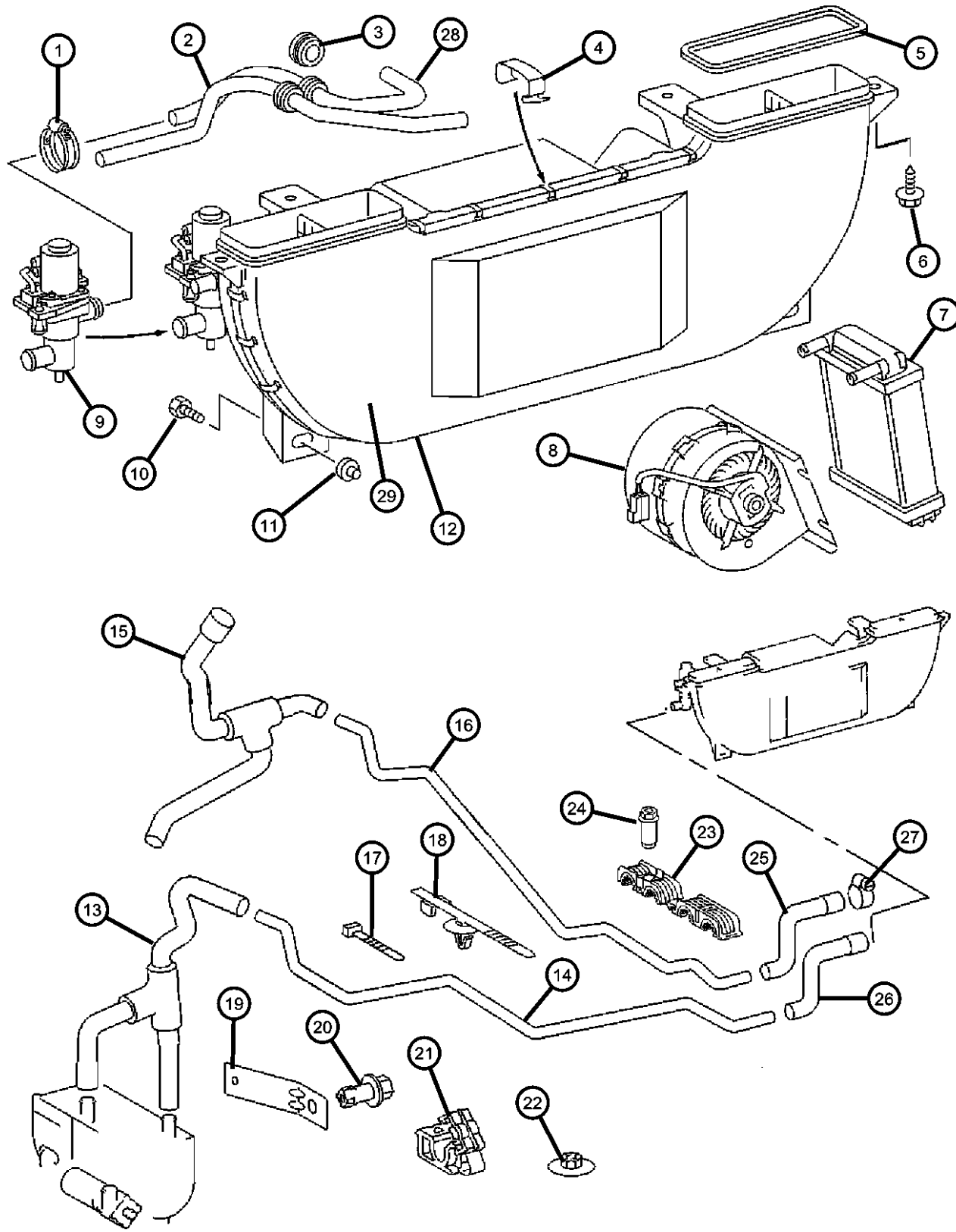
ENGINE

EX8 = Engine - 2.7L I5 Mercedes-Benz TD

TRANSMISSION

DGJ = Transmission - 5-Spd Auto, MB

Heat Exchanger and Plumbing Figure 24-250



ITEM	PART NUMBER	QTY	LINE	SERIES	BODY	ENGINE	TRANS	TRIM	DESCRIPTION
1	06104781AA	1	2, 6		11, 12, 14, 15, 16	EX8			CLAMP, Hose
		1	2, 6		51, 52, 54, 55, 56	EX8			
		6	3, 7		12, 15, 16	EX8			
2	05133587AA	1	2, 6		11, 12, 14, 15, 16	EX8			LINE, Heater
		1	2, 6		51, 52, 54, 55, 56	EX8			
		1	3, 7		12, 15, 16	EX8			
3	05133588AA	1	2, 6		11, 12, 14, 15, 16	EX8			GROMMET
		1	2, 6		51, 52, 54, 55, 56	EX8			
		2	3, 7		12, 15, 16	EX8			
4	05133592AA	22	2, 6		11, 12, 14, 15, 16	EX8			CLIP, HEATER
		22	2, 6		51, 52, 54, 55, 56	EX8			
		22	3, 7		12, 15, 16	EX8			
5	05133593AA	1	2, 6		11, 12, 14, 15, 16	EX8			GASKET, Heater duct
		1	2, 6		51, 52, 54, 55, 56	EX8			
		1	3, 7		12, 15, 16	EX8			
6	06104580AA	1	2, 6		01, 02, 06	EX8			SCREW, Tapping
		2	2, 6		11, 12, 14, 15, 16	EX8			

SPRINTER (VA)

SERIES

L = LOWLINE

LINE

3 = HD DODGE 2WD
 8 = HD DODGE 4WD
 6 = Lt. Duty DODGE 4WD
 2 = Med. Duty DODGE 2WD
 7 = Med. Duty DODGE 4WD
 4 = TRUCK

BODY

12 = Van 140"
 51 = Wagon 118"
 52 = Wagon 140"
 14 = Van 118"
 15 = Van 140"
 16 = Van 158"
 54 = Wagon 118"
 55 = Wagon 140"
 56 = Wagon 158"
 01 = Chassis Forward Control 118"
 02 = Chassis Forward Control 140"
 06 = Front Section 158"
 11 = Van 118"

ENGINE

EX8 = Engine - 2.7L I5
 Mercedes-Benz TD

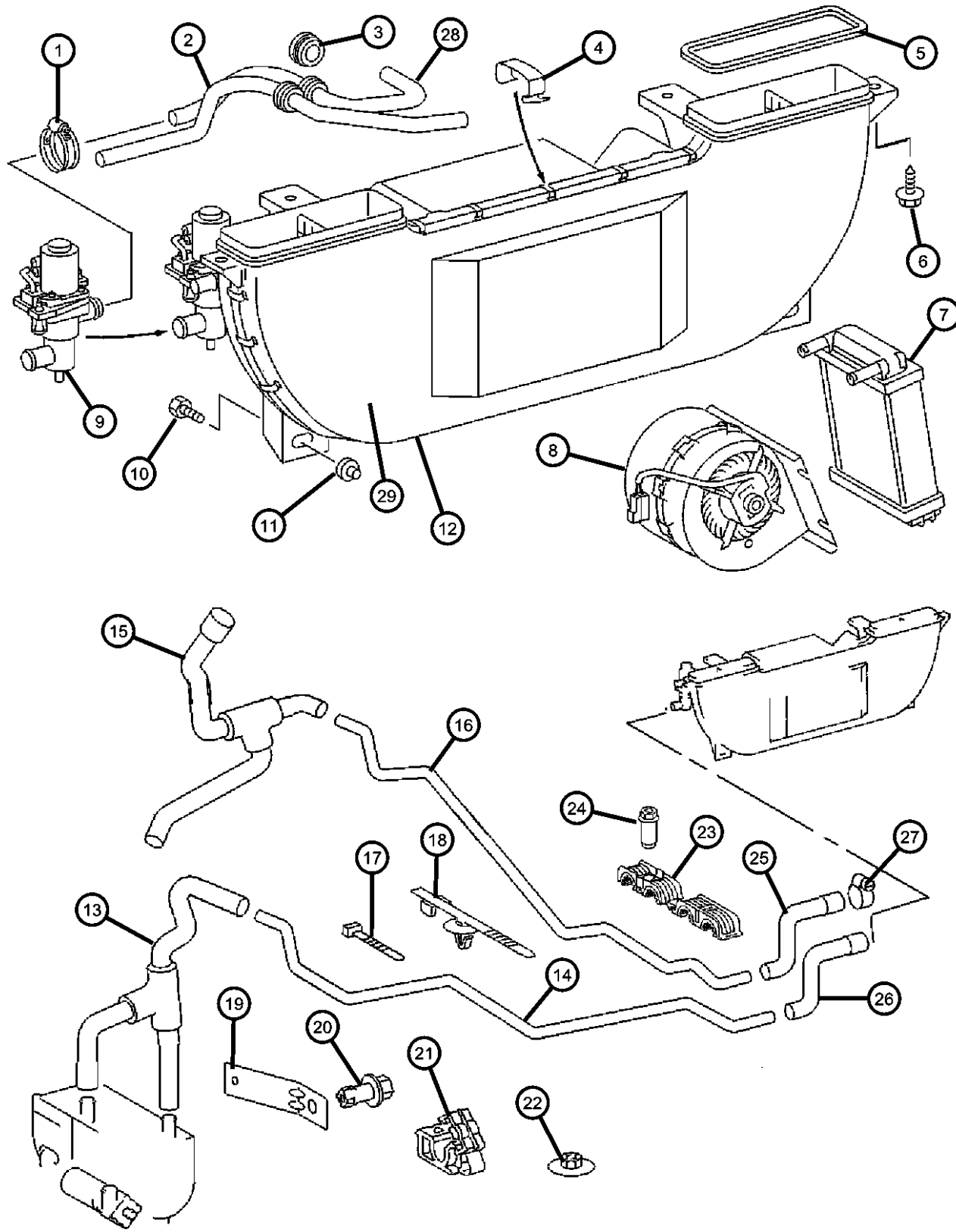
TRANSMISSION

DGJ = Transmission - 5-Spd Auto, MB

AR = use ase required - = Non illustrated part

2005 VA

Heat Exchanger and Plumbing Figure 24-250



ITEM	PART NUMBER	QTY	LINE	SERIES	BODY	ENGINE	TRANS	TRIM	DESCRIPTION
7	05133586AA	2	2, 6		51, 52, 54, 55, 56	EX8			CORE, Heater
		1	3, 7		02, 06	EX8			
		2	3, 7		12, 15, 16	EX8			
8	05103806AA	1	2, 6		11, 12, 14, 15, 16	EX8			BLOWER
		1	2, 6		51, 52, 54, 55, 56	EX8			
9	05103807AA	1	3, 7		12, 15, 16	EX8			VALVE, Water
		1	2, 6		11, 12, 14, 15, 16	EX8			
10	05126227AA	1	2, 6		51, 52, 54, 55, 56	EX8			BOLT, Hex Head
		1	3, 7		12, 15, 16	EX8			
		2	2, 6		01, 02, 06	EX8			
		2	2, 6		11, 12, 14, 15, 16	EX8			
		2	2, 6		51, 52, 54, 55, 56	EX8			
11	05126258AA	2	3, 7		02, 06	EX8			RIVNUT, Installation
		1	2, 6		01, 02, 06	EX8			
		2	2, 6		11, 12, 14, 15, 16	EX8			

SPRINTER (VA)

SERIES

L = LOWLINE

LINE

3 = HD DODGE 2WD
 8 = HD DODGE 4WD
 6 = Lt. Duty DODGE 4WD
 2 = Med. Duty DODGE 2WD
 7 = Med. Duty DODGE 4WD
 4 = TRUCK

BODY

12 = Van 140"
 51 = Wagon 118"
 52 = Wagon 140"
 14 = Van 118"
 15 = Van 140"
 16 = Van 158"
 54 = Wagon 118"
 55 = Wagon 140"
 56 = Wagon 158"
 01 = Chassis Forward Control
 118"
 02 = Chassis Forward Control
 140"
 06 = Front Section 158"
 11 = Van 118"

ENGINE

EX8 = Engine - 2.7L I5
 Mercedes-Benz TD

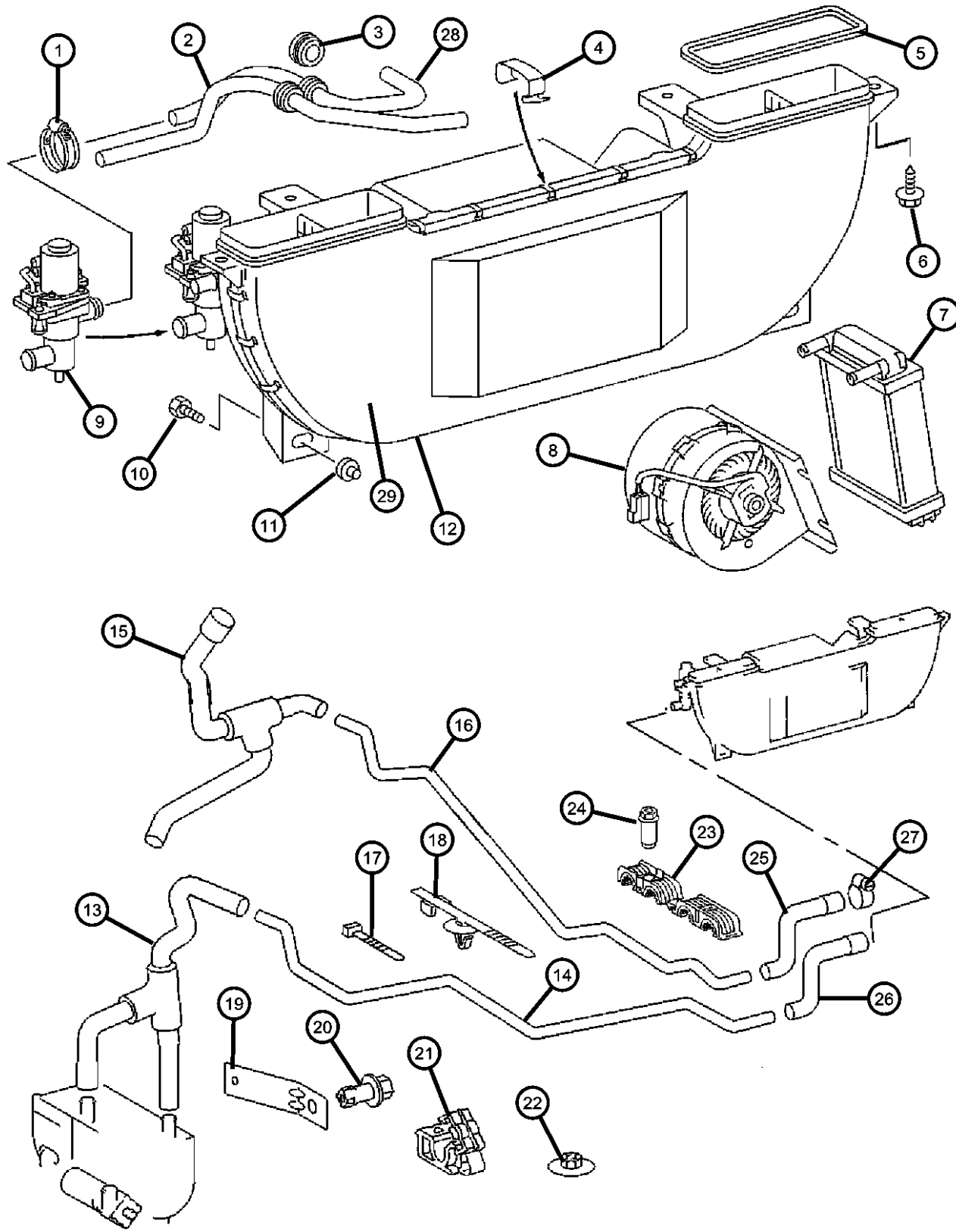
TRANSMISSION

DGJ = Transmission - 5-Spd Auto, MB

AR = use ase required - = Non illustrated part

2005 VA

**Heat Exchanger and Plumbing
Figure 24-250**



ITEM	PART NUMBER	QTY	LINE	SERIES	BODY	ENGINE	TRANS	TRIM	DESCRIPTION
		2	2, 6		51, 52, 54, 55, 56	EX8			
		2	3, 7		02, 06	EX8			
		2	3, 7		12, 15, 16	EX8			
12	05124700AA	1	2, 6		11, 12, 14, 15, 16	EX8			HEATER
		1	2, 6		51, 52, 54, 55, 56	EX8			
13	05124886AA	1	3, 7		12, 15, 16	EX8			HOSE, Auxiliary Heater
		1	2, 6		11, 12, 14, 15, 16	EX8			
		1	2, 6		51, 52, 54, 55, 56	EX8			
14	05124826AA	1	3, 7		12, 15, 16	EX8			TUBE, Heater
		1	2, 6		11, 12, 14, 15, 16	EX8			
		1	2, 6		51, 52, 54, 55, 56	EX8			
15	05124837AA	1	3, 7		12, 15, 16	EX8			HOSE
		1	2, 6		01, 02, 06	EX8			
		1	2, 6		11, 12, 14, 15, 16	EX8			
		1	2, 6		51, 52, 54, 55, 56	EX8			
		1	3, 7		02, 06	EX8			
		1	3, 7		12, 15, 16	EX8			
16	05124820AA	1	2, 6		11, 12, 14, 15, 16	EX8			TUBE, Heater

SPRINTER (VA)

SERIES

L = LOWLINE

LINE

3 = HD DODGE 2WD
 8 = HD DODGE 4WD
 6 = Lt. Duty DODGE 4WD
 2 = Med. Duty DODGE 2WD
 7 = Med. Duty DODGE 4WD
 4 = TRUCK

BODY

12 = Van 140"
 51 = Wagon 118"
 52 = Wagon 140"
 14 = Van 118"
 15 = Van 140"
 16 = Van 158"
 54 = Wagon 118"
 55 = Wagon 140"
 56 = Wagon 158"
 01 = Chassis Forward Control
 118"
 02 = Chassis Forward Control
 140"
 06 = Front Section 158"
 11 = Van 118"

ENGINE

EX8 = Engine - 2.7L I5
 Mercedes-Benz TD

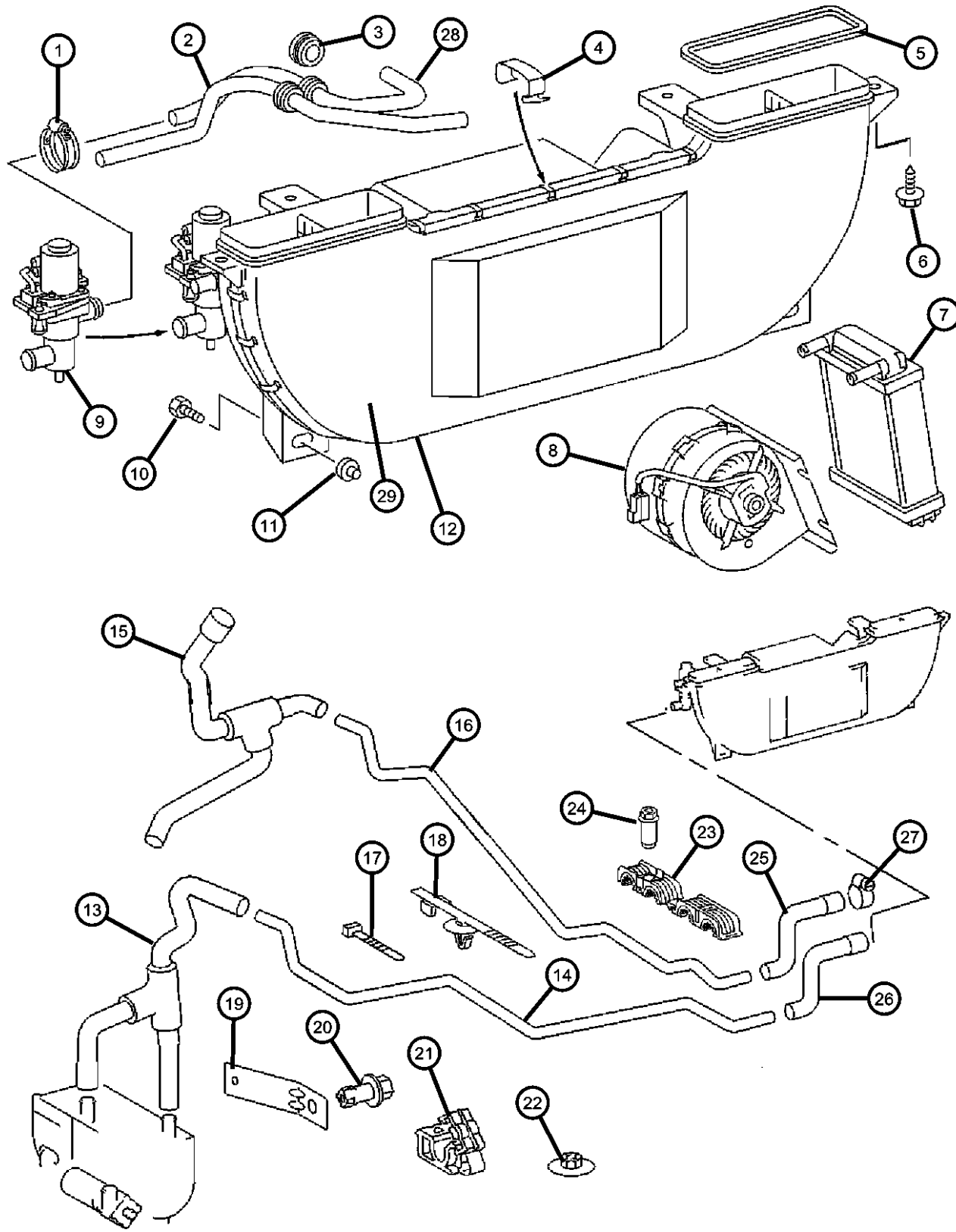
TRANSMISSION

DGJ = Transmission - 5-Spd Auto, MB

AR = use ase required - = Non illustrated part

2005 VA

**Heat Exchanger and Plumbing
Figure 24-250**



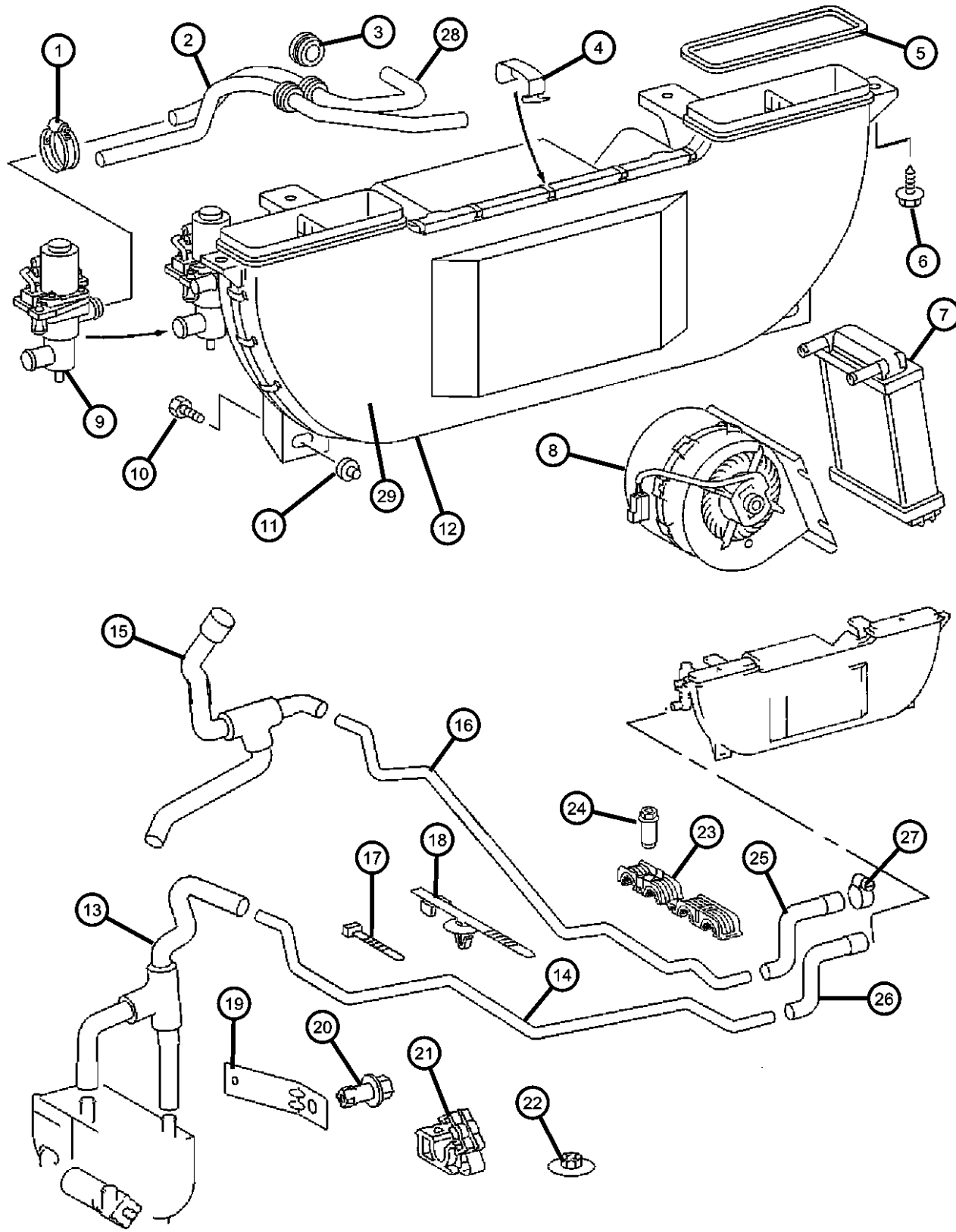
ITEM	PART NUMBER	QTY	LINE	SERIES	BODY	ENGINE	TRANS	TRIM	DESCRIPTION
17	05080475AB	1	2, 6		51, 52, 54, 55, 56	EX8			STRAP, Tie
		1	3, 7		12, 15, 16	EX8			
18	05126053AA	99	2, 6		01, 02, 06	EX8			STRAP, Tie
		99	2, 6		11, 12, 14, 15, 16	EX8			
		99	2, 6		51, 52, 54, 55, 56	EX8			
		99	3, 7		02, 06	EX8			
		99	3, 7		12, 15, 16	EX8			
		2	2, 6		01, 02, 06	EX8			
19	05124814AA	1	2, 6		11, 12, 14, 15, 16	EX8			BRACKET, Recirculating Pump
		16	2, 6		12, 15	EX8			
		18	2, 6		16	EX8			
		1	2, 6		51, 52, 54, 55, 56	EX8			
		1	3, 7		02, 06	EX8			
		1	3, 7		12, 15, 16	EX8			
20	05125594AA	1	2, 6		11, 12, 14, 15, 16	EX8			NUT, Push In
		1	2, 6		51, 52, 54, 55, 56	EX8			
		1	2, 6		11, 12, 14, 15, 16	EX8			
		1	3, 7		12, 15, 16	EX8			

SPRINTER (VA)

SERIES	LINE	BODY	ENGINE	TRANSMISSION
L = LOWLINE	3 = HD DODGE 2WD 8 = HD DODGE 4WD 6 = Lt. Duty DODGE 4WD 2 = Med. Duty DODGE 2WD 7 = Med. Duty DODGE 4WD 4 = TRUCK	12 = Van 140" 51 = Wagon 118" 52 = Wagon 140" 14 = Van 118" 15 = Van 140" 16 = Van 158" 54 = Wagon 118" 55 = Wagon 140" 56 = Wagon 158" 01 = Chassis Forward Control 118" 02 = Chassis Forward Control 140" 06 = Front Section 158" 11 = Van 118"	EX8 = Engine - 2.7L I5 Mercedes-Benz TD	DGJ = Transmission - 5-Spd Auto, MB

AR = use ase required - = Non illustrated part

**Heat Exchanger and Plumbing
Figure 24-250**



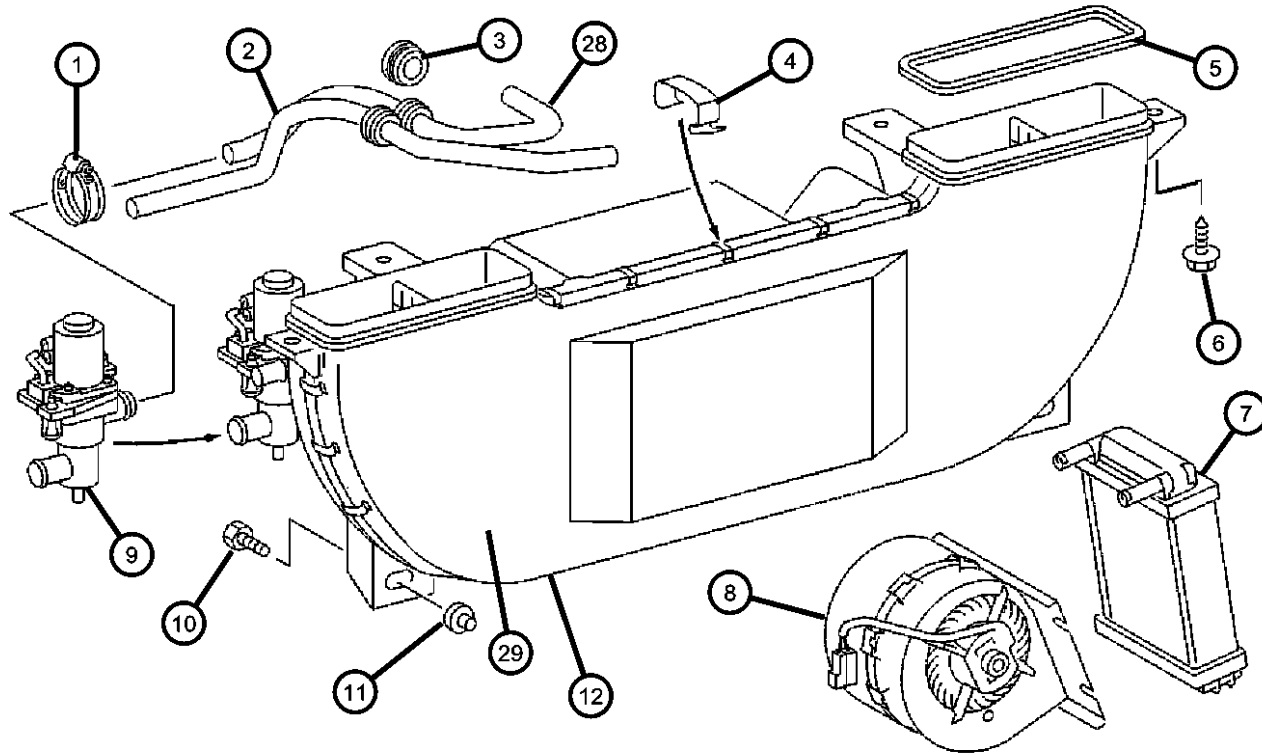
ITEM	PART NUMBER	QTY	LINE	SERIES	BODY	ENGINE	TRANS	TRIM	DESCRIPTION
21	05125886AA	3	2, 6		11, 12, 14, 15, 16	EX8			CLAMP, Heater Hose
		3	2, 6		51, 52, 54, 55, 56	EX8			
		3	3, 7		12, 15, 16	EX8			
22	05125592AA	1	2, 6		01, 02, 06	EX8			PLUG, Button
		1	2, 6		11, 12, 14, 15, 16	EX8			
		1	2, 6		51, 52, 54, 55, 56	EX8			
		1	3, 7		12, 15, 16	EX8			
23	05125882AA	5	2, 6		11, 12, 14, 15, 16	EX8			CLAMP, Heater Hose
		5	2, 6		51, 52, 54, 55, 56	EX8			
		5	3, 7		12, 15, 16	EX8			
24	06104910AA	5	2, 6		11, 12, 14, 15, 16	EX8			NUT, Heater
		5	2, 6		51, 52, 54, 55, 56	EX8			
		5	3, 7		12, 15, 16	EX8			
		2	3, 7		12, 15	EX8			
25	05124841AA	1	2, 6		11, 12, 14, 15, 16	EX8			HOSE, Heater
		1	2, 6		51, 52, 54, 55, 56	EX8			
		1	3, 7		12, 15, 16	EX8			
26									HOSE, Heater

SPRINTER (VA)

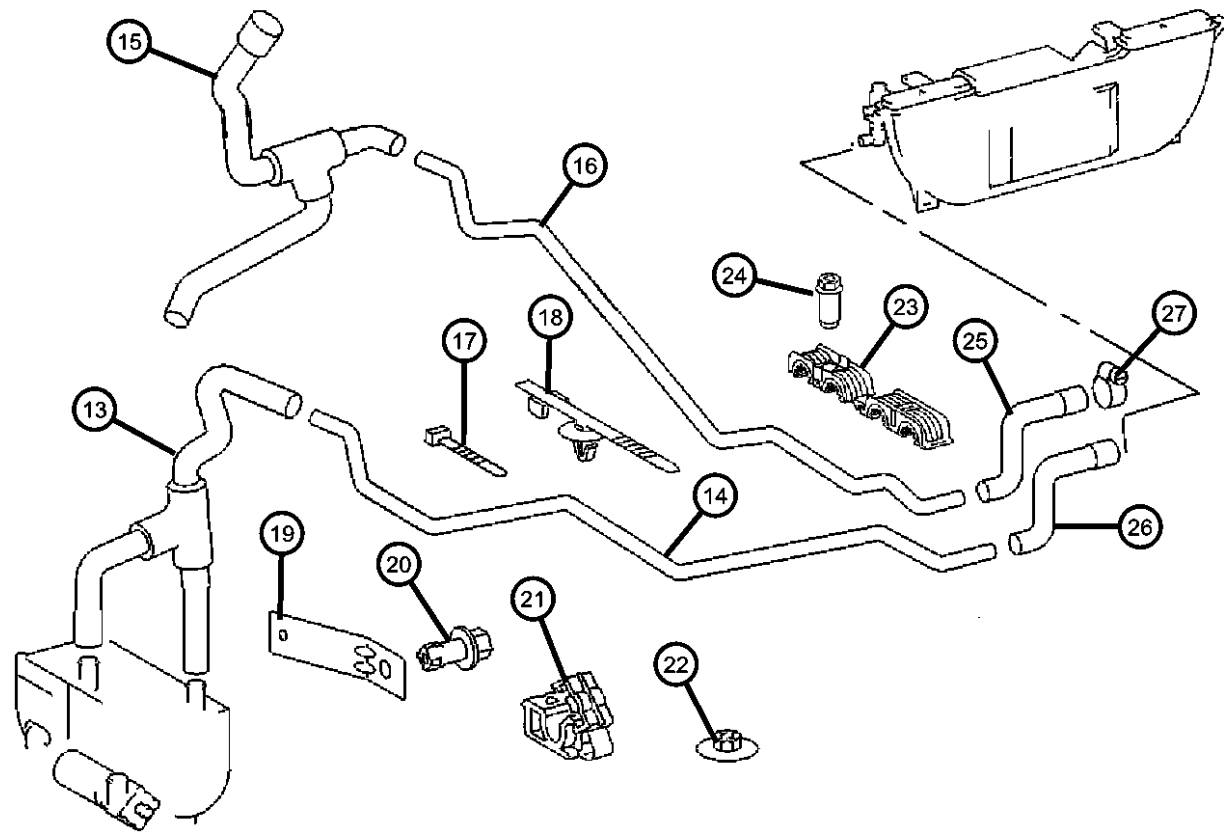
SERIES	LINE	BODY	ENGINE	TRANSMISSION
L = LOWLINE	3 = HD DODGE 2WD 8 = HD DODGE 4WD 6 = Lt. Duty DODGE 4WD 2 = Med. Duty DODGE 2WD 7 = Med. Duty DODGE 4WD 4 = TRUCK	12 = Van 140" 51 = Wagon 118" 52 = Wagon 140" 14 = Van 118" 15 = Van 140" 16 = Van 158" 54 = Wagon 118" 55 = Wagon 140" 56 = Wagon 158" 01 = Chassis Forward Control 118" 02 = Chassis Forward Control 140" 06 = Front Section 158" 11 = Van 118"	EX8 = Engine - 2.7L I5 Mercedes-Benz TD	DGJ = Transmission - 5-Spd Auto, MB

AR = use ase required - = Non illustrated part

**Heat Exchanger and Plumbing
Figure 24-250**



ITEM	PART NUMBER	QTY	LINE	SERIES	BODY	ENGINE	TRANS	TRIM	DESCRIPTION
	05124885AA	1	2, 6		11, 12, 14, 15, 16	EX8			
		1	2, 6		51, 52, 54, 55, 56	EX8			
27		1	3, 7		12, 15, 16	EX8			CLAMP
	06104780AA	1	2, 6		01, 02, 06	EX8			
		1	2, 6		11, 12, 14, 15, 16	EX8			
		1	2, 6		51, 52, 54, 55, 56	EX8			
		1	3, 7		02, 06	EX8			
28	05133889AA	1	3, 7		12, 15, 16	EX8			HOSE, Heater COVER
29		1	3, 7		12, 15, 16	EX8			
	05133591AA	1	2, 6		11, 12, 14, 15, 16	EX8			
		1	2, 6		51, 52, 54, 55, 56	EX8			
		1	3, 7		12, 15, 16	EX8			

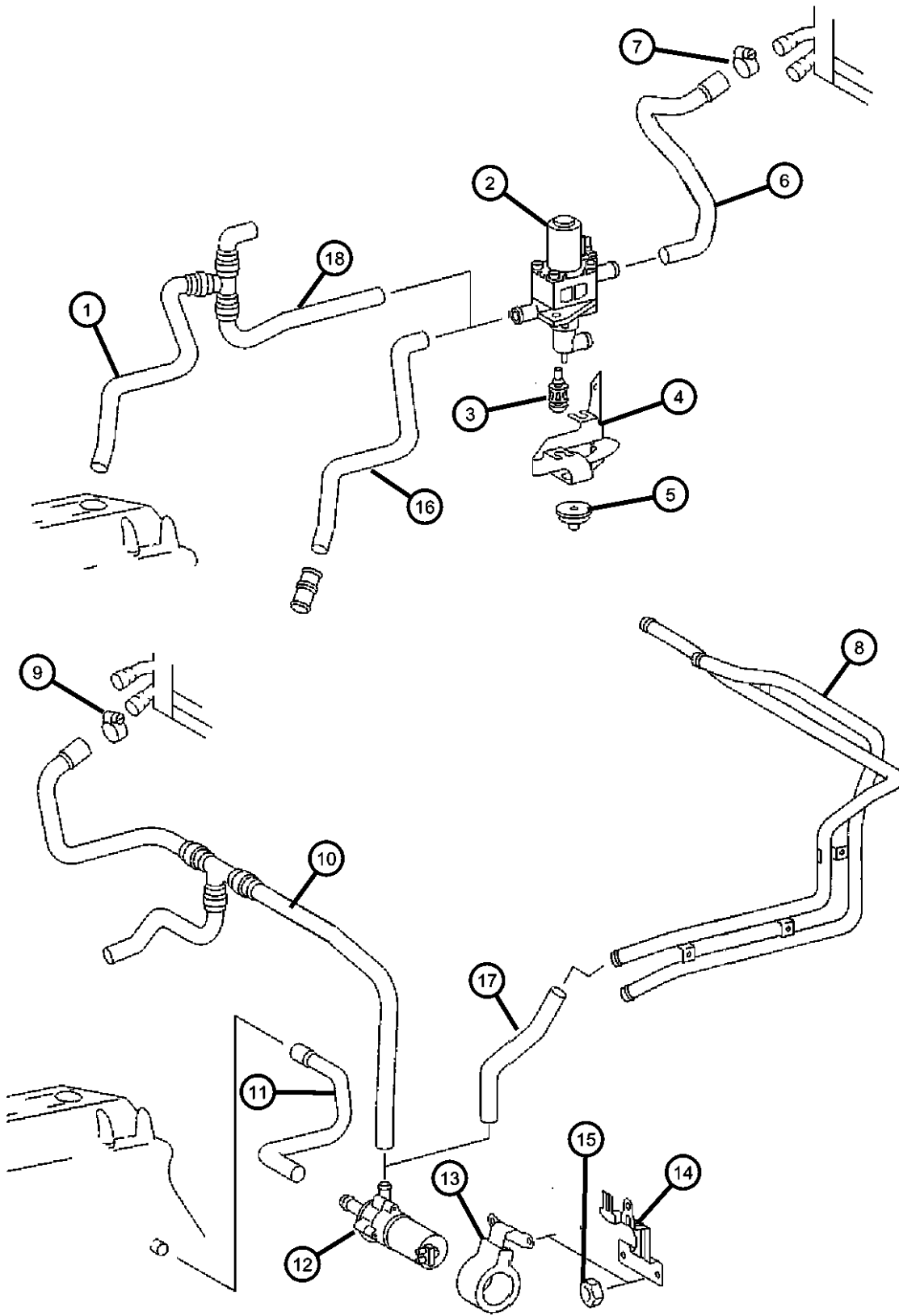


SPRINTER (VA)

SERIES	LINE	BODY	ENGINE	TRANSMISSION
L = LOWLINE	3 = HD DODGE 2WD 8 = HD DODGE 4WD 6 = Lt. Duty DODGE 4WD 2 = Med. Duty DODGE 2WD 7 = Med. Duty DODGE 4WD 4 = TRUCK	12 = Van 140" 51 = Wagon 118" 52 = Wagon 140" 14 = Van 118" 15 = Van 140" 16 = Van 158" 54 = Wagon 118" 55 = Wagon 140" 56 = Wagon 158" 01 = Chassis Forward Control 118" 02 = Chassis Forward Control 140" 06 = Front Section 158" 11 = Van 118"	EX8 = Engine - 2.7L I5 Mercedes-Benz TD	DGJ = Transmission - 5-Spd Auto, MB

AR = use ase required - = Non illustrated part

Plumbing, Heater
Figure 24-260



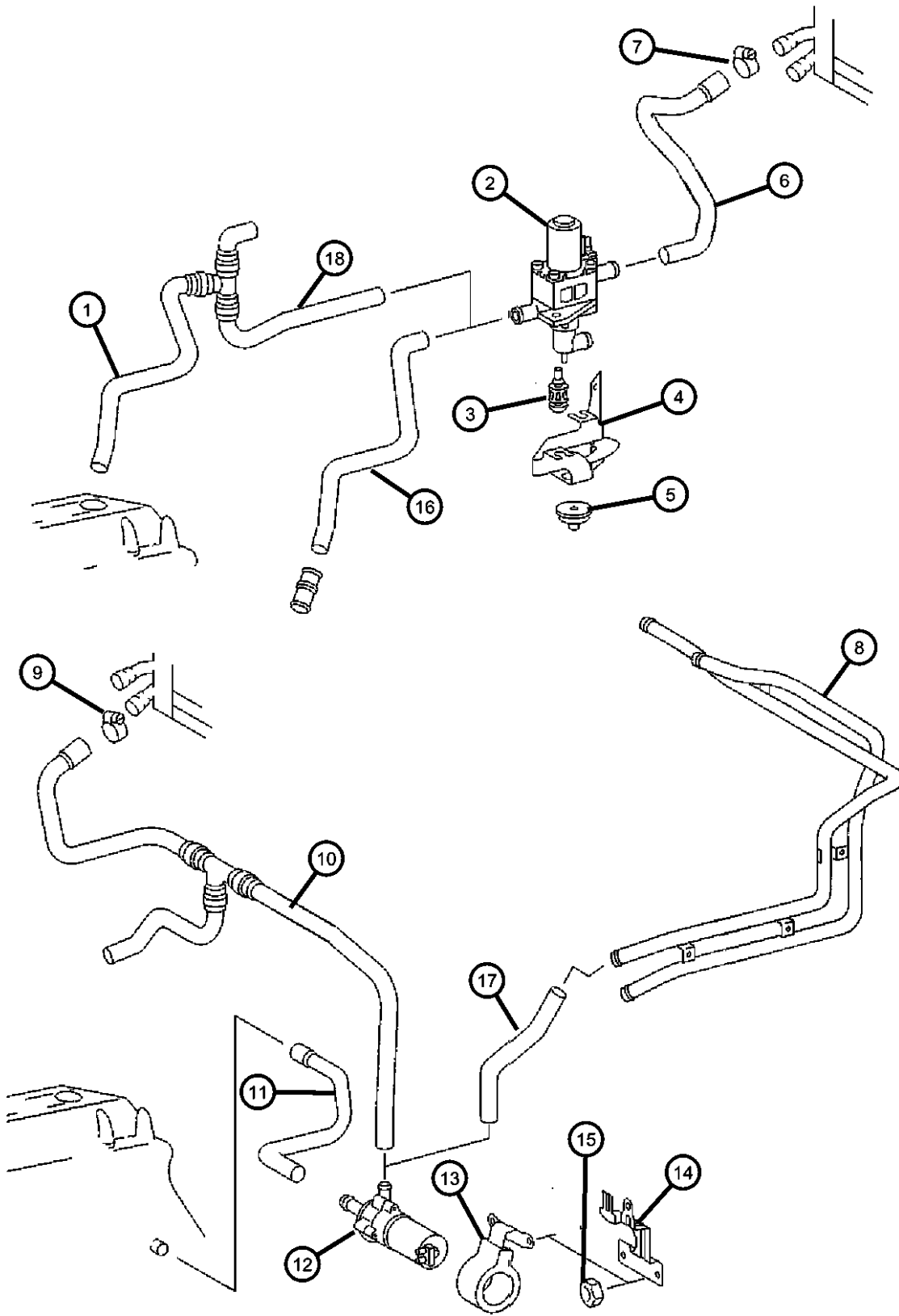
ITEM	PART NUMBER	QTY	LINE	SERIES	BODY	ENGINE	TRANS	TRIM	DESCRIPTION
1	05104488AA	1	2, 6		01, 02, 06	EX8			HOSE
		1	2, 6		11, 12, 14, 15, 16	EX8			
		1	2, 6		51, 52, 54, 55, 56	EX8			
		1	3, 7		02, 06	EX8			
		1	3, 7		12, 15, 16	EX8			
2	05103770AA	1	2, 6		11, 12, 14, 15, 16	EX8			VALVE, Water
		1	2, 6		51, 52, 54, 55, 56	EX8			
		1	3, 7		02, 06	EX8			
		1	3, 7		12, 15, 16	EX8			
		1	2, 6		01, 02, 06	EX8			
3	05096558AA	2	2, 6		01, 02, 06	EX8			GROMMET
		2	2, 6		11, 12, 14, 15, 16	EX8			
		2	2, 6		51, 52, 54, 55, 56	EX8			
		2	3, 7		02, 06	EX8			
		2	3, 7		12, 15, 16	EX8			
4	05124791AA	1	2, 6		51, 52, 54, 55, 56	EX8			BRACKET, Recirculating Pump
		1	3, 7		02, 06	EX8			
		1	3, 7		12, 15, 16	EX8			
		1	2, 6		01, 02, 06	EX8			
		1	2, 6		11, 12, 14, 15, 16	EX8			
5								BUMPER, Rubber	

SPRINTER (VA)

SERIES	LINE	BODY	ENGINE	TRANSMISSION
L = LOWLINE	3 = HD DODGE 2WD 8 = HD DODGE 4WD 6 = Lt. Duty DODGE 4WD 2 = Med. Duty DODGE 2WD 7 = Med. Duty DODGE 4WD 4 = TRUCK	12 = Van 140" 51 = Wagon 118" 52 = Wagon 140" 14 = Van 118" 15 = Van 140" 16 = Van 158" 54 = Wagon 118" 55 = Wagon 140" 56 = Wagon 158" 01 = Chassis Forward Control 118" 02 = Chassis Forward Control 140" 06 = Front Section 158" 11 = Van 118"	EX8 = Engine - 2.7L I5 Mercedes-Benz TD	DGJ = Transmission - 5-Spd Auto, MB

AR = use ase required - = Non illustrated part

Plumbing, Heater
Figure 24-260



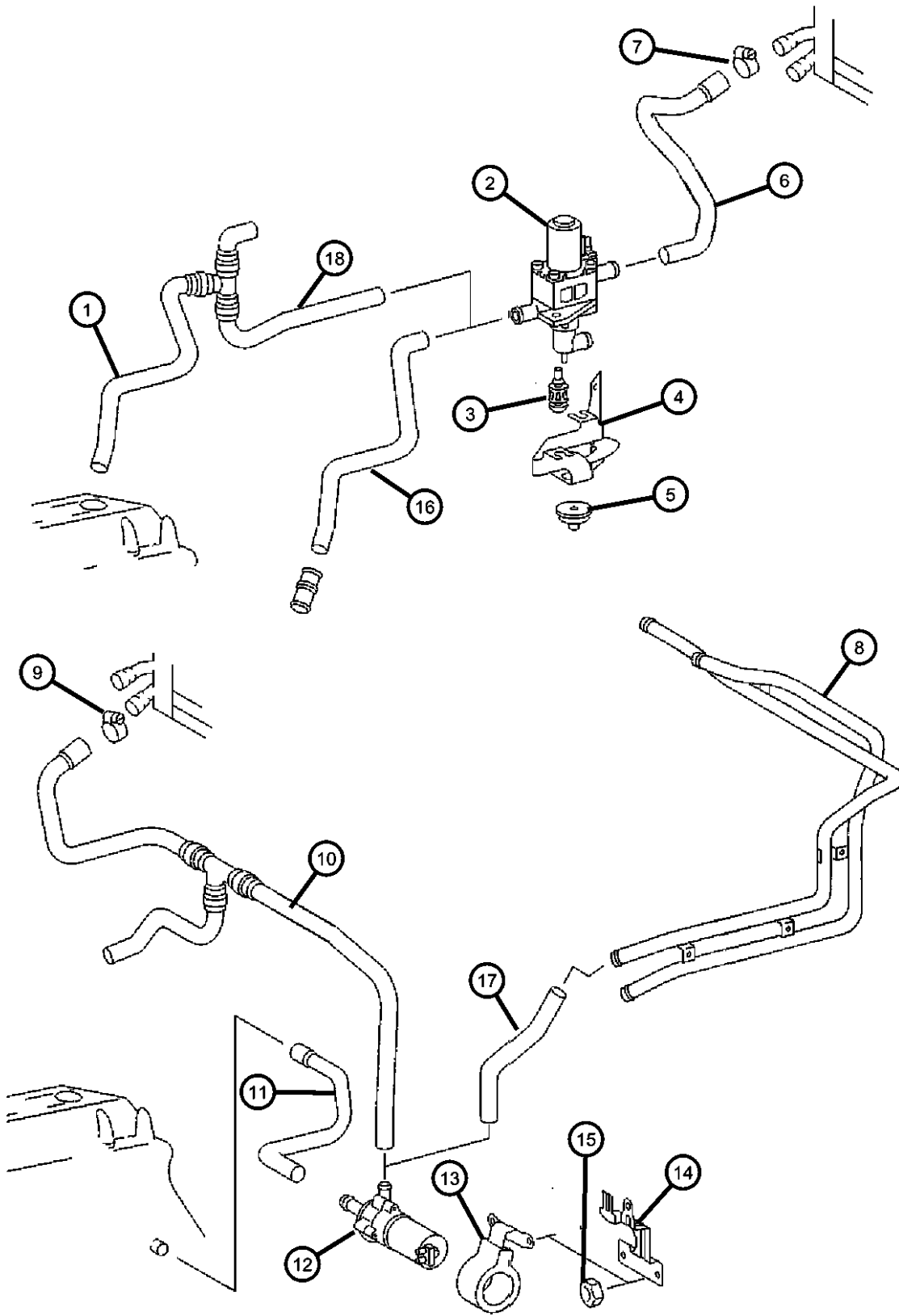
ITEM	PART NUMBER	QTY	LINE	SERIES	BODY	ENGINE	TRANS	TRIM	DESCRIPTION
6	05125504AA	1	2, 6		01, 02, 06	EX8			HOSE
		1	2, 6		11, 12, 14, 15, 16	EX8			
		1	6, 2		51, 52, 54, 55, 56	EX8			
		1	3, 7		02, 06	EX8			
		1	3, 7		12, 15, 16	EX8			
7	05124846AA	1	2, 6		01, 02, 06	EX8			CLAMP, CLAMP
		1	2, 6		11, 12, 14, 15, 16	EX8			
		1	2, 6		51, 52, 54, 55, 56	EX8			
		1	3, 7		02, 06	EX8			
		1	3, 7		12, 15, 16	EX8			
8	05126287AA	11	2, 6		01, 02, 06	EX8			TUBE, Heater
		11	2, 6		11, 12, 14, 15, 16	EX8			
		11	2, 6		51, 52, 54, 55, 56	EX8			
		11	3, 7		02, 06	EX8			
		11	3, 7		12, 15, 16	EX8			
9	05124644AA	1	2, 6		01, 02, 06	EX8			CLAMP, Heater Hose
		1	2, 6		11, 12, 14, 15, 16	EX8			
		1	2, 6		51, 52, 54, 55, 56	EX8			
		1	3, 7		02, 06	EX8			
		1	3, 7		12, 15, 16	EX8			

SPRINTER (VA)

SERIES	LINE	BODY	ENGINE	TRANSMISSION
L = LOWLINE	3 = HD DODGE 2WD	12 = Van 140"	EX8 = Engine - 2.7L I5	DGJ = Transmission - 5-Spd Auto, MB
	8 = HD DODGE 4WD	51 = Wagon 118"	Mercedes-Benz TD	
	6 = Lt. Duty DODGE 4WD	52 = Wagon 140"		
	2 = Med. Duty DODGE 2WD	14 = Van 118"		
	7 = Med. Duty DODGE 4WD	15 = Van 140"		
	4 = TRUCK	16 = Van 158"		
		54 = Wagon 118"		
		55 = Wagon 140"		
		56 = Wagon 158"		
		01 = Chassis Forward Control 118"		
		02 = Chassis Forward Control 140"		
		06 = Front Section 158"		
		11 = Van 118"		

AR = use ase required - = Non illustrated part

Plumbing, Heater
Figure 24-260



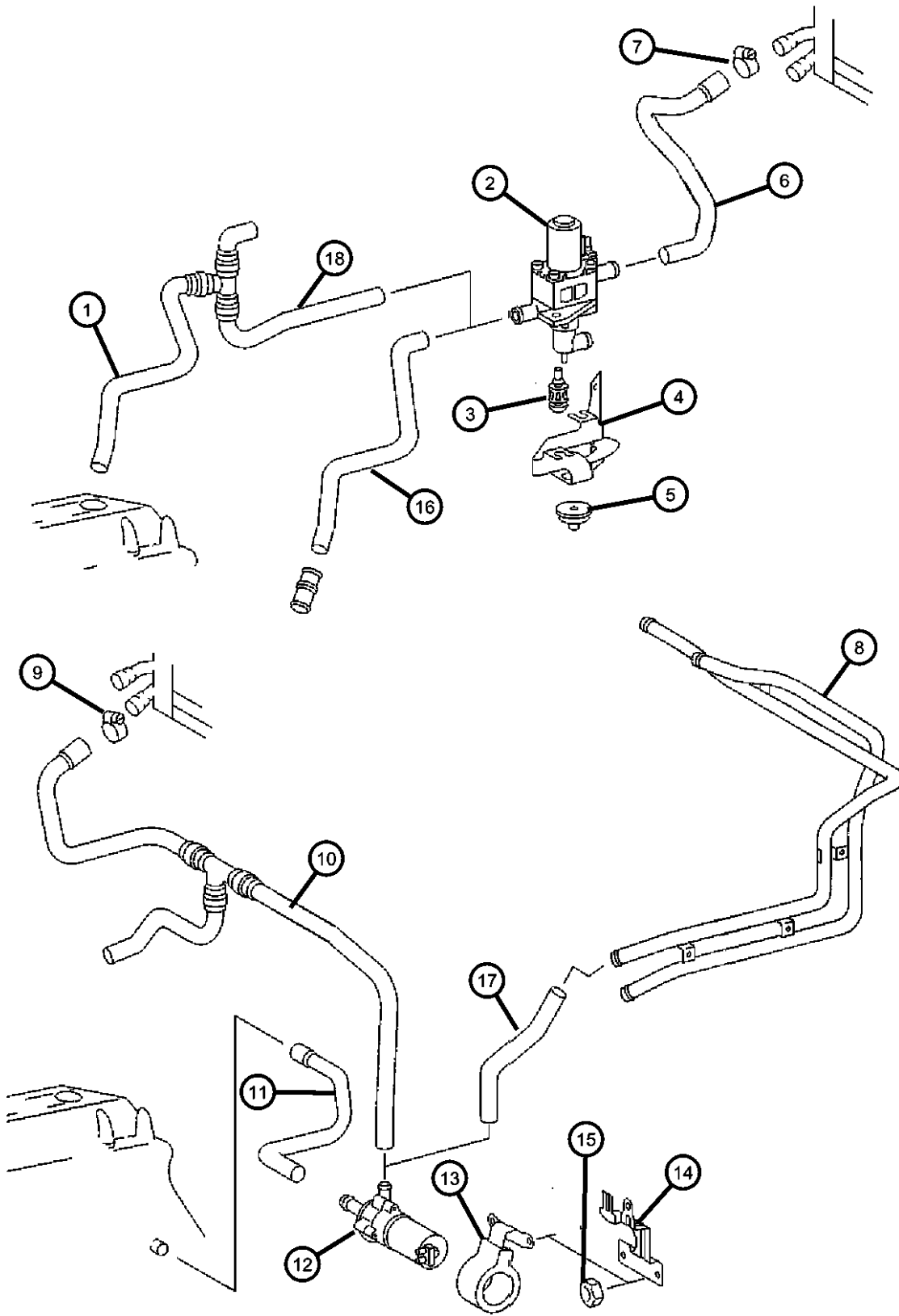
ITEM	PART NUMBER	QTY	LINE	SERIES	BODY	ENGINE	TRANS	TRIM	DESCRIPTION
	05104681AA	3	2, 6		01, 02, 06	EX8			
		3	2, 6		11, 12, 14, 15, 16	EX8			
		3	2, 6		51, 52, 54, 55, 56	EX8			
		3	3, 7		02, 06	EX8			
		3	3, 7		12, 15, 16	EX8			
10	05124842AA	1	2, 6		01, 02, 06	EX8			HOSE
		1	2, 6		11, 12, 14, 15, 16	EX8			
		1	2, 6		51, 52, 54, 55, 56	EX8			
		1	3, 7		02, 06	EX8			
		1	3, 7		12, 15, 16	EX8			
11	05104481AA	1	2, 6		51, 52, 54, 55, 56	EX8			HOSE
		1	3, 7		02, 06	EX8			
		1	3, 7		12, 15, 16	EX8			
		1	2, 6		01, 02, 06	EX8			
		1	2, 6		11, 12, 14, 15, 16	EX8			
12	05098398AA	1	3, 7		12, 15, 16	EX8			PUMP, Recirculating
		1	2, 6		01, 02, 06	EX8			
		1	2, 6		11, 12, 14, 15, 16	EX8			
		1	2, 6		51, 52, 54, 55, 56	EX8			
		1	3, 7		02, 06	EX8			
13									BRACKET

SPRINTER (VA)

SERIES	LINE	BODY	ENGINE	TRANSMISSION
L = LOWLINE	3 = HD DODGE 2WD	12 = Van 140"	EX8 = Engine - 2.7L I5	DGJ = Transmission - 5-Spd Auto, MB
	8 = HD DODGE 4WD	51 = Wagon 118"	Mercedes-Benz TD	
	6 = Lt. Duty DODGE 4WD	52 = Wagon 140"		
	2 = Med. Duty DODGE 2WD	14 = Van 118"		
	7 = Med. Duty DODGE 4WD	15 = Van 140"		
	4 = TRUCK	16 = Van 158"		
		54 = Wagon 118"		
		55 = Wagon 140"		
		56 = Wagon 158"		
		01 = Chassis Forward Control 118"		
		02 = Chassis Forward Control 140"		
		06 = Front Section 158"		
		11 = Van 118"		

AR = use ase required - = Non illustrated part

Plumbing, Heater
Figure 24-260



ITEM	PART NUMBER	QTY	LINE	SERIES	BODY	ENGINE	TRANS	TRIM	DESCRIPTION
	05124629AA	1	2, 6		01, 02, 06	EX8			
		1	2, 6		11, 12, 14, 15, 16	EX8			
		1	2, 6		51, 52, 54, 55, 56	EX8			
		1	3, 7		02, 06	EX8			
		1	3, 7		12, 15, 16	EX8			
14									BRACKET, Recirculating Pump
	05124808AA	1	2, 6		01, 02, 06	EX8			
		1	2, 6		11, 12, 14, 15, 16	EX8			
		1	2, 6		51, 52, 54, 55, 56	EX8			
		1	3, 7		02, 06	EX8			
		1	3, 7		12, 15, 16	EX8			
15	05127449AA	1	2, 3, 6, 7			EX8			NUT, M6x1.00
16									HOSE
	05124844AA	1	2, 6		01, 02, 06	EX8			
		1	2, 6		11, 12, 14, 15, 16	EX8			
		1	2, 6		51, 52, 54, 55, 56	EX8			
		1	3, 7		02, 06	EX8			
		1	3, 7		12, 15, 16	EX8			
17									HOSE
	05124848AA	1	3, 7		12, 15, 16	EX8			
		1	2, 6		01, 02, 06	EX8			
		1	6, 2		11, 12, 14, 15, 16	EX8			
		1	2, 6		51, 52, 54, 55, 56	EX8			
		1	3, 7		02, 06	EX8			

SPRINTER (VA)

SERIES

L = LOWLINE

LINE

3 = HD DODGE 2WD
8 = HD DODGE 4WD
6 = Lt. Duty DODGE 4WD
2 = Med. Duty DODGE 2WD
7 = Med. Duty DODGE 4WD
4 = TRUCK

BODY

12 = Van 140"
51 = Wagon 118"
52 = Wagon 140"
14 = Van 118"
15 = Van 140"
16 = Van 158"
54 = Wagon 118"
55 = Wagon 140"
56 = Wagon 158"
01 = Chassis Forward Control 118"
02 = Chassis Forward Control 140"
06 = Front Section 158"
11 = Van 118"

ENGINE

EX8 = Engine - 2.7L I5 Mercedes-Benz TD

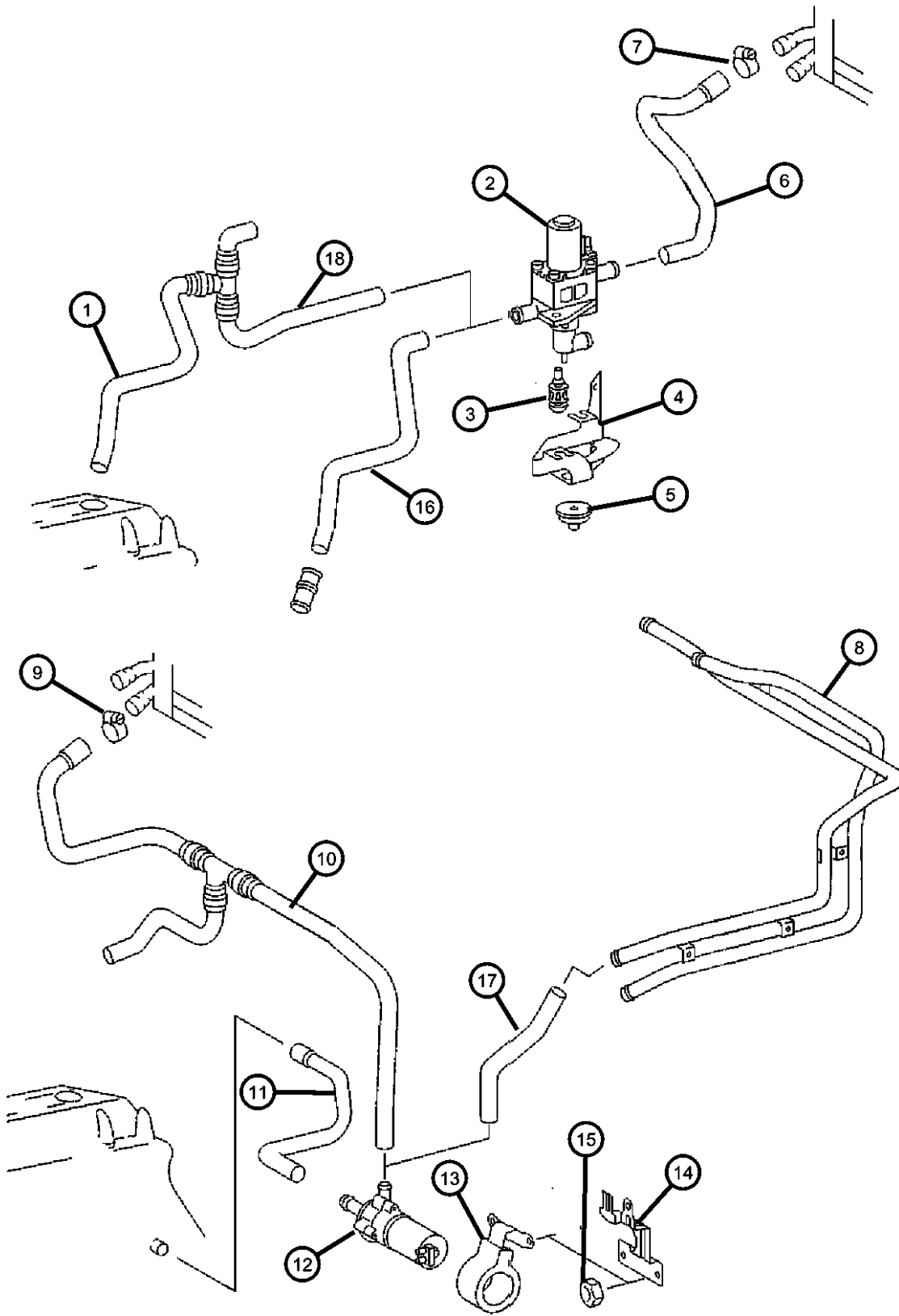
TRANSMISSION

DGJ = Transmission - 5-Spd Auto, MB

AR = use ase required - = Non illustrated part

2005 VA

Plumbing, Heater
Figure 24-260



ITEM	PART NUMBER	QTY	LINE	SERIES	BODY	ENGINE	TRANS	TRIM	DESCRIPTION
------	-------------	-----	------	--------	------	--------	-------	------	-------------

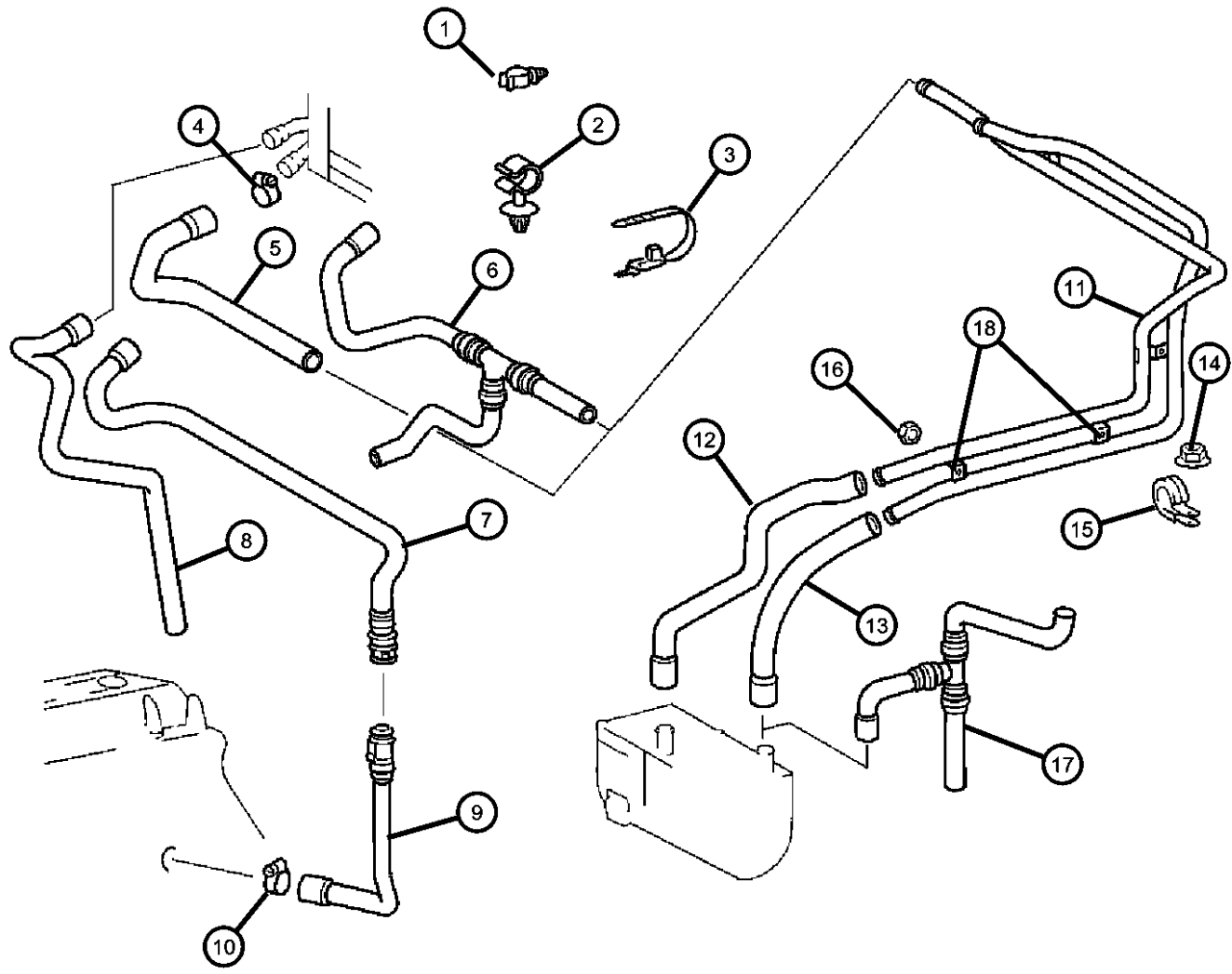
18									HOSE, Flexible Exhaust, Supplemental Heater
	05125981AA	1	2, 6		01, 02, 06	EX8			
		1	2, 6		11, 12, 14, 15, 16	EX8			
		1	2, 6		51, 52, 54, 55, 56	EX8			
		1	3, 7		02, 06	EX8			
		1	3, 7		12, 15, 16	EX8			

SPRINTER (VA)

SERIES	LINE	BODY	ENGINE	TRANSMISSION
L = LOWLINE	3 = HD DODGE 2WD 8 = HD DODGE 4WD 6 = Lt. Duty DODGE 4WD 2 = Med. Duty DODGE 2WD 7 = Med. Duty DODGE 4WD 4 = TRUCK	12 = Van 140" 51 = Wagon 118" 52 = Wagon 140" 14 = Van 118" 15 = Van 140" 16 = Van 158" 54 = Wagon 118" 55 = Wagon 140" 56 = Wagon 158" 01 = Chassis Forward Control 118" 02 = Chassis Forward Control 140" 06 = Front Section 158" 11 = Van 118"	EX8 = Engine - 2.7L I5 Mercedes-Benz TD	DGJ = Transmission - 5-Spd Auto, MB

AR = use ase required - = Non illustrated part

Plumbing, Heater with Auxiliary warm water Heater
Figure 24-265



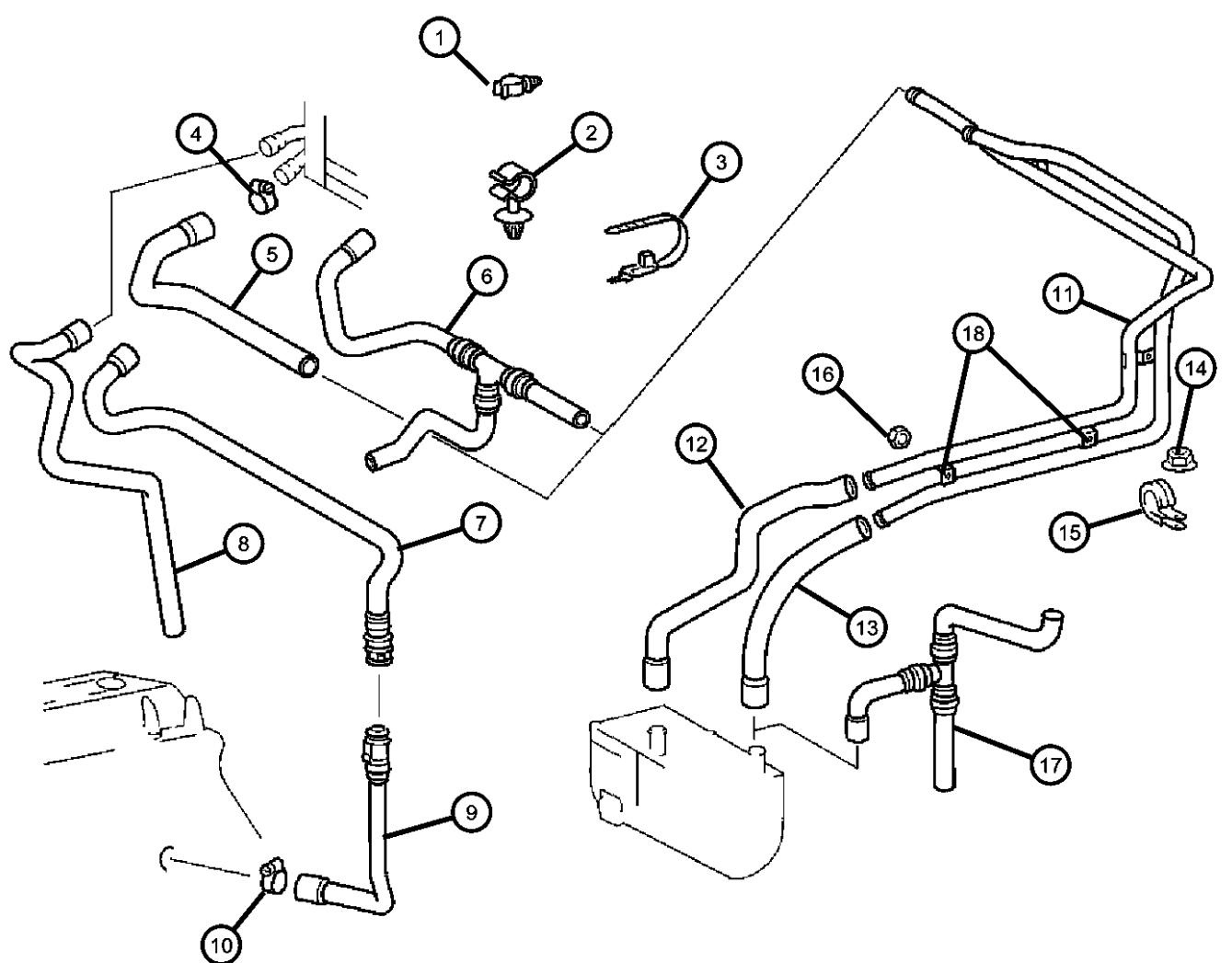
ITEM	PART NUMBER	QTY	LINE	SERIES	BODY	ENGINE	TRANS	TRIM	DESCRIPTION
1	05124806AA	1	2, 6		01, 02, 06	EX8			CLIP, Hose
		1	2, 6		11, 12, 14, 15, 16	EX8			
		1	2, 6		51, 52, 54, 55, 56	EX8			
		1	3, 7		02, 06	EX8			
		1	3, 7		12, 15, 16	EX8			
2	05119332AA	1	2, 6		11, 12, 14, 15, 16	EX8			CLIP, Hose
		1	2, 6		51, 52, 54, 55, 56	EX8			
		1	2, 6		01, 02, 06	EX8			
		1	3, 7		02, 06	EX8			
		1	3, 7		12, 15, 16	EX8			
3	05133297AA	99	2, 6		01, 02, 06	EX8			STRAP AND CLIP
		99	2, 6		11, 12, 14, 15, 16	EX8			
		99	2, 6		51, 52, 54, 55, 56	EX8			
		99	3, 7		02, 06	EX8			
		99	3, 7		12, 15, 16	EX8			
4	05104681AA	3	2, 6		11, 12, 14, 15, 16	EX8			CLAMP, Heater Hose
		3	2, 6		51, 52, 54, 55, 56	EX8			
		3	3, 7		02, 06	EX8			
		3	3, 7		12, 15, 16	EX8			
		3	2, 6		01, 02, 06	EX8			
5								HOSE	

SPRINTER (VA)

SERIES	LINE	BODY	ENGINE	TRANSMISSION
L = LOWLINE	3 = HD DODGE 2WD 8 = HD DODGE 4WD 6 = Lt. Duty DODGE 4WD 2 = Med. Duty DODGE 2WD 7 = Med. Duty DODGE 4WD 4 = TRUCK	12 = Van 140" 51 = Wagon 118" 52 = Wagon 140" 14 = Van 118" 15 = Van 140" 16 = Van 158" 54 = Wagon 118" 55 = Wagon 140" 56 = Wagon 158" 01 = Chassis Forward Control 118" 02 = Chassis Forward Control 140" 06 = Front Section 158" 11 = Van 118"	EX8 = Engine - 2.7L I5 Mercedes-Benz TD	DGJ = Transmission - 5-Spd Auto, MB

AR = use ase required - = Non illustrated part

**Plumbing, Heater with Auxiliary warm water Heater
Figure 24-265**



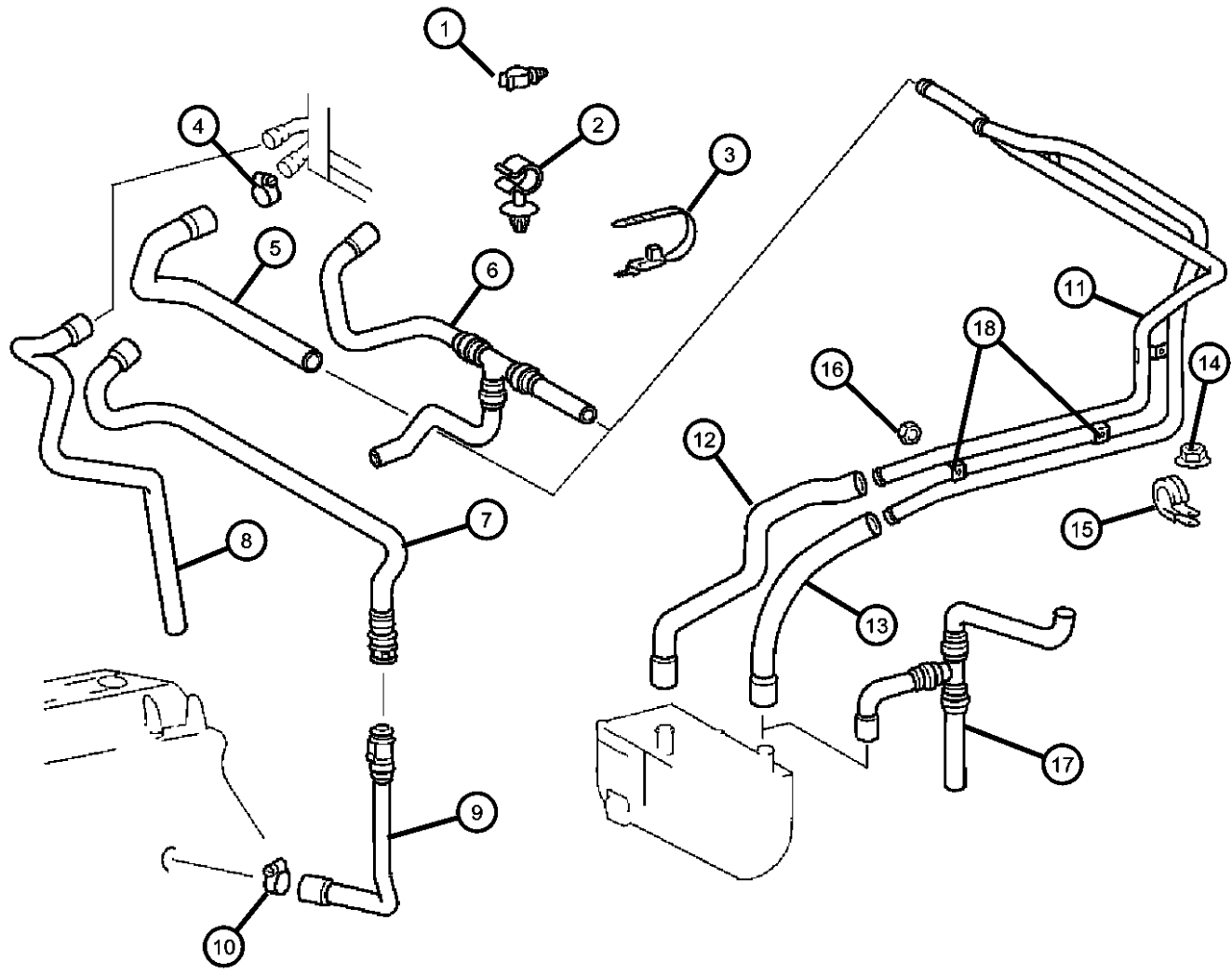
ITEM	PART NUMBER	QTY	LINE	SERIES	BODY	ENGINE	TRANS	TRIM	DESCRIPTION
	05124854AA	1	2, 6		01, 02, 06	EX8			
		1	2, 6		11, 12, 14, 15, 16	EX8			
		1	2, 6		51, 52, 54, 55, 56	EX8			
		1	3, 7		02, 06	EX8			
6		1	3, 7		12, 15, 16	EX8			HOSE
	05124837AA	1	3, 7		12, 15, 16	EX8			
		1	2, 6		01, 02, 06	EX8			
		1	2, 6		11, 12, 14, 15, 16	EX8			
		1	2, 6		51, 52, 54, 55, 56	EX8			
7		1	3, 7		02, 06	EX8			HOSE
	05104481AA	1	2, 6		01, 02, 06	EX8			
		1	2, 6		11, 12, 14, 15, 16	EX8			
		1	2, 6		51, 52, 54, 55, 56	EX8			
		1	3, 7		02, 06	EX8			
8		1	3, 7		12, 15, 16	EX8			HOSE
	05104489AA	1	2, 6		51, 52, 54, 55, 56	EX8			
		1	3, 7		02, 06	EX8			
		1	2, 6		01, 02, 06	EX8			
		1	2, 6		11, 12, 14, 15, 16	EX8			
9		1	3, 7		12, 15, 16	EX8			HOSE, HOSE-WATER

SPRINTER (VA)

SERIES	LINE	BODY	ENGINE	TRANSMISSION
L = LOWLINE	3 = HD DODGE 2WD	12 = Van 140"	EX8 = Engine - 2.7L I5	DGJ = Transmission - 5-Spd Auto, MB
	8 = HD DODGE 4WD	51 = Wagon 118"	Mercedes-Benz TD	
	6 = Lt. Duty DODGE 4WD	52 = Wagon 140"		
	2 = Med. Duty DODGE 2WD	14 = Van 118"		
	7 = Med. Duty DODGE 4WD	15 = Van 140"		
	4 = TRUCK	16 = Van 158"		
		54 = Wagon 118"		
		55 = Wagon 140"		
		56 = Wagon 158"		
		01 = Chassis Forward Control		
		118"		
		02 = Chassis Forward Control		
		140"		
		06 = Front Section 158"		
		11 = Van 118"		

AR = use ase required - = Non illustrated part

**Plumbing, Heater with Auxiliary warm water Heater
Figure 24-265**



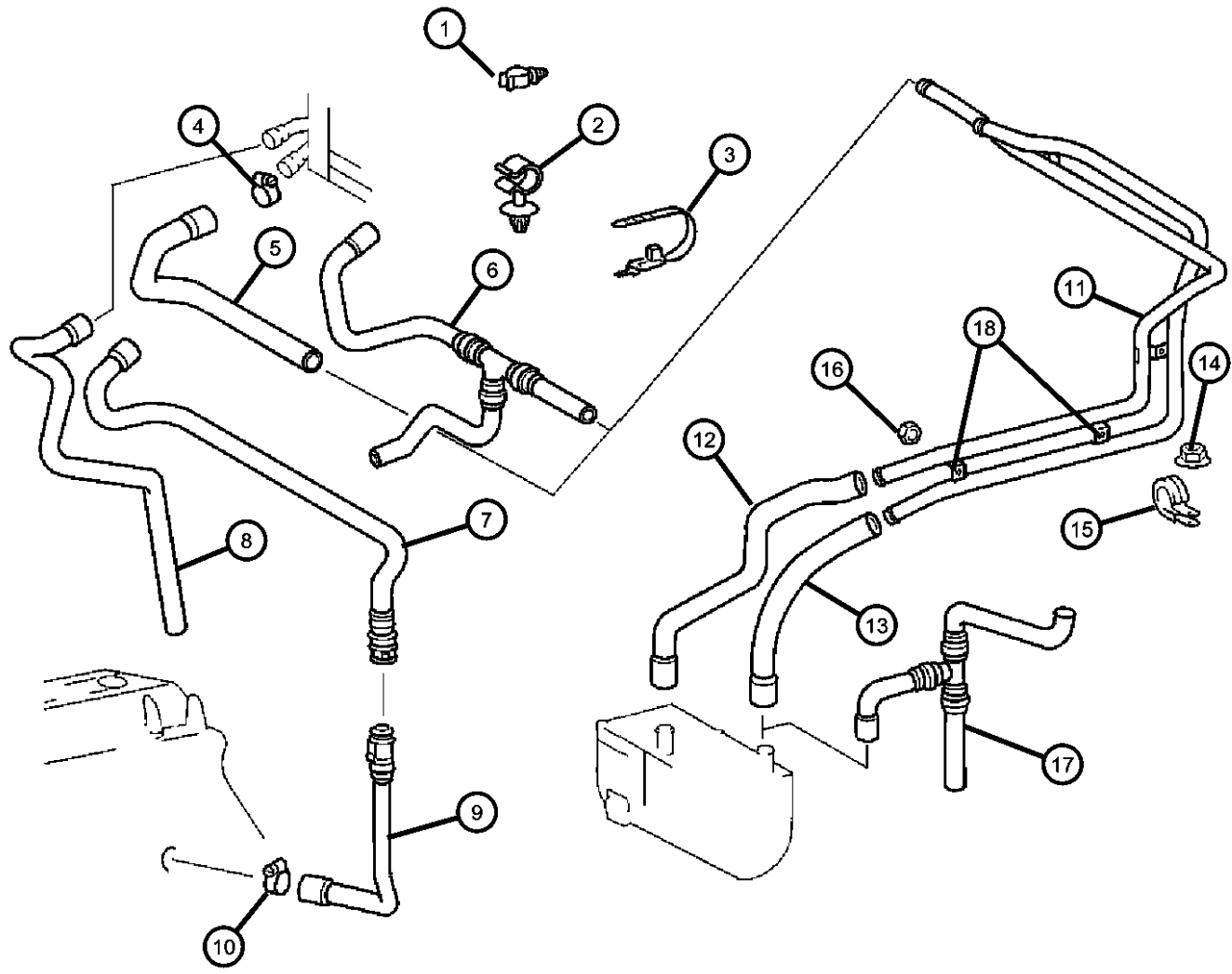
ITEM	PART NUMBER	QTY	LINE	SERIES	BODY	ENGINE	TRANS	TRIM	DESCRIPTION
	05124728AA	1	2, 6		01, 02, 06	EX8			
		1	2, 6		11, 12, 14, 15, 16	EX8			
		1	3, 7		02, 06	EX8			
		1	3, 7		12, 15, 16	EX8			
10	05126287AA	11	2, 6		11, 12, 14, 15, 16	EX8			CLAMP, CLAMP
		11	2, 6		51, 52, 54, 55, 56	EX8			
		11	2, 6		01, 02, 06	EX8			
		11	3, 7		02, 06	EX8			
		11	3, 7		12, 15, 16	EX8			
11	05124644AA	1	2, 6		51, 52, 54, 55, 56	EX8			TUBE, Heater
		1	3, 7		02, 06	EX8			
		1	3, 7		12, 15, 16	EX8			
		1	2, 6		01, 02, 06	EX8			
		1	6, 2		11, 12, 14, 15, 16	EX8			
12	05124850AA	1	2, 6		01, 02, 06	EX8			HOSE
		1	2, 6		11, 12, 14, 15, 16	EX8			
		1	2, 6		51, 52, 54, 55, 56	EX8			
		1	3, 7		02, 06	EX8			
		1	3, 7		12, 15, 16	EX8			
13	05124852AA	1	2, 6		11, 12, 14, 15, 16	EX8			HOSE

SPRINTER (VA)

SERIES	LINE	BODY	ENGINE	TRANSMISSION
L = LOWLINE	3 = HD DODGE 2WD	12 = Van 140"	EX8 = Engine - 2.7L I5	DGJ = Transmission - 5-Spd Auto, MB
	8 = HD DODGE 4WD	51 = Wagon 118"	Mercedes-Benz TD	
	6 = Lt. Duty DODGE 4WD	52 = Wagon 140"		
	2 = Med. Duty DODGE 2WD	14 = Van 118"		
	7 = Med. Duty DODGE 4WD	15 = Van 140"		
	4 = TRUCK	16 = Van 158"		
		54 = Wagon 118"		
		55 = Wagon 140"		
		56 = Wagon 158"		
		01 = Chassis Forward Control		
		118"		
		02 = Chassis Forward Control		
		140"		
		06 = Front Section 158"		
		11 = Van 118"		

AR = use ase required - = Non illustrated part

**Plumbing, Heater with Auxiliary warm water Heater
Figure 24-265**



ITEM	PART NUMBER	QTY	LINE	SERIES	BODY	ENGINE	TRANS	TRIM	DESCRIPTION
		1	3, 7		02, 06	EX8			
		1	3, 7		12, 15, 16	EX8			
		1	2, 6		51, 52, 54, 55, 56	EX8			
14									NUT, Hex
	06104911AA	1	2, 6		01, 02, 06	EX8			
		1	2, 6		11, 12, 14, 15, 16	EX8			
		1	2, 6		51, 52, 54, 55, 56	EX8			
		1	3, 7		02, 06	EX8			
		1	3, 7		12, 15, 16	EX8			
15									CLAMP, Air Conditioning Piping
	05126284AA	1	2, 6		01, 02, 06	EX8			
		1	2, 6		51, 52, 54, 55, 56	EX8			
		1	3, 7		02, 06	EX8			
		1	3, 7		12, 15, 16	EX8			
		1	2, 6		11, 12, 14, 15, 16	EX8			
16									NUT, Hex, M6
	05096978AA	3	2, 6		01, 02, 06	EX8			
		3	2, 6		11, 12, 14, 15, 16	EX8			
		3	2, 6		51, 52, 54, 55, 56	EX8			
		3	3, 7		02, 06	EX8			
		3	3, 7		12, 15, 16	EX8			
17									HOSE, Auxiliary Heater
	05124886AA	1	3, 7		12, 15, 16	EX8			
		1	2, 6		11, 12, 14, 15, 16	EX8			

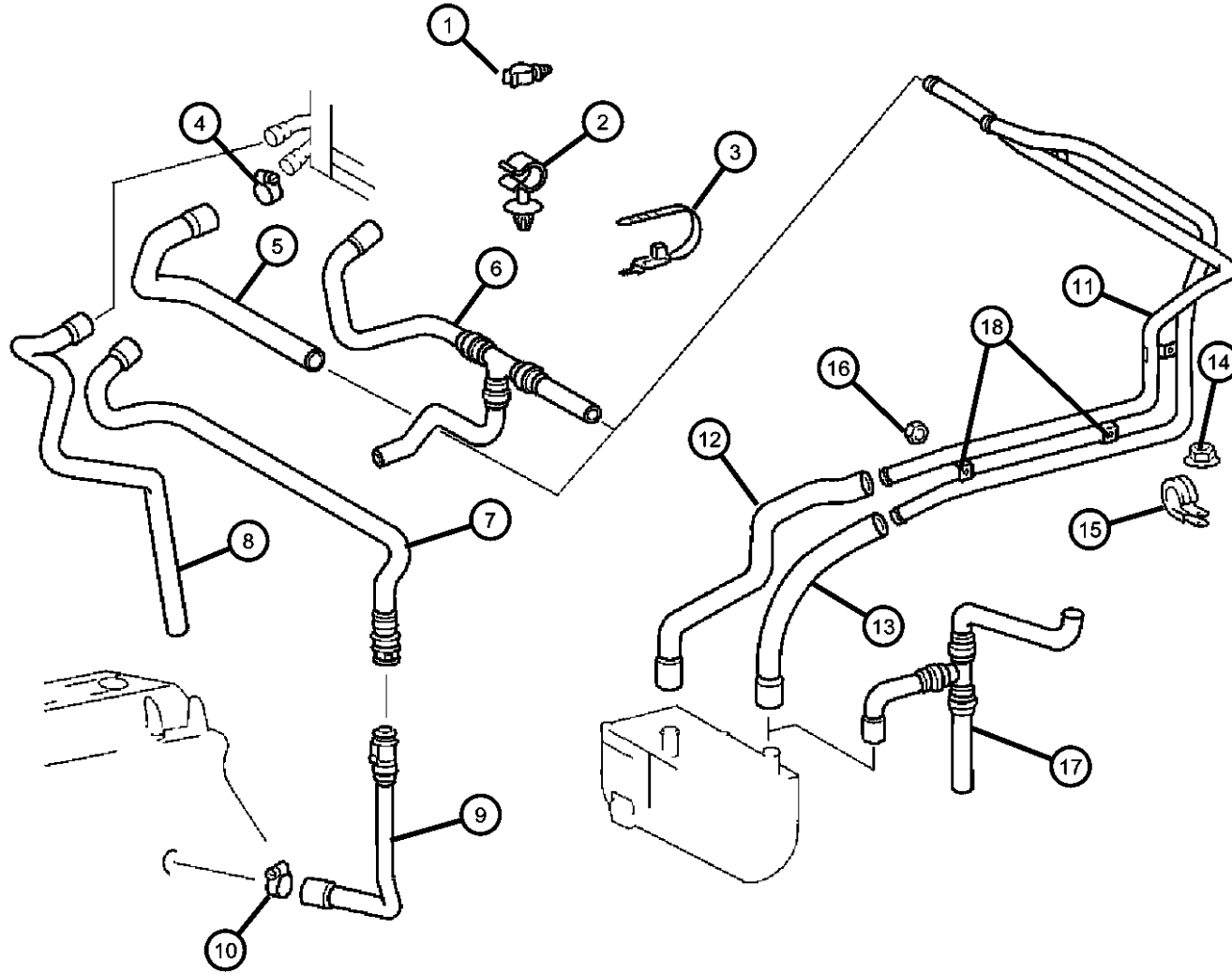
SPRINTER (VA)

SERIES	LINE	BODY	ENGINE	TRANSMISSION
L = LOWLINE	3 = HD DODGE 2WD	12 = Van 140"	EX8 = Engine - 2.7L I5	DGJ = Transmission - 5-Spd Auto, MB
	8 = HD DODGE 4WD	51 = Wagon 118"	Mercedes-Benz TD	
	6 = Lt. Duty DODGE 4WD	52 = Wagon 140"		
	2 = Med. Duty DODGE 2WD	14 = Van 118"		
	7 = Med. Duty DODGE 4WD	15 = Van 140"		
	4 = TRUCK	16 = Van 158"		
		54 = Wagon 118"		
		55 = Wagon 140"		
		56 = Wagon 158"		
		01 = Chassis Forward Control 118"		
		02 = Chassis Forward Control 140"		
		06 = Front Section 158"		
		11 = Van 118"		

AR = use ase required - = Non illustrated part

**Plumbing, Heater with Auxiliary warm water Heater
Figure 24-265**

ITEM	PART NUMBER	QTY	LINE	SERIES	BODY	ENGINE	TRANS	TRIM	DESCRIPTION
		1	2, 6		51, 52, 54, 55, 56	EX8			
18	05133315AA	1	2, 6		01, 02, 06	EX8			BRACKET, Heater Core Tubes
		1	2, 6		11, 12, 14, 15, 16	EX8			
		1	2, 6		51, 52, 54, 55, 56	EX8			
		1	3, 7		02, 06	EX8			
		1	3, 7		12, 15, 16	EX8			



SPRINTER (VA)

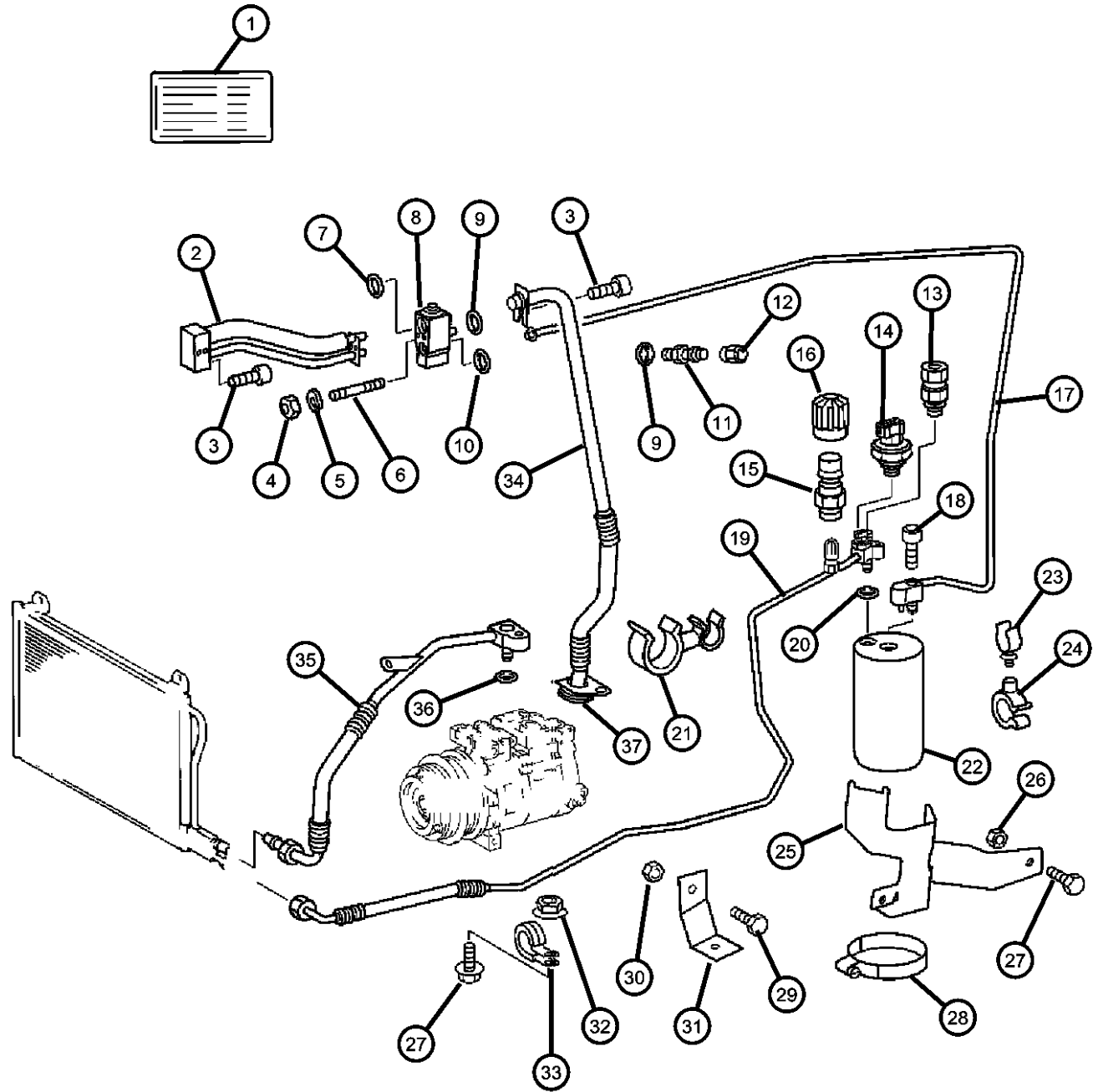
SERIES	LINE	BODY	ENGINE	TRANSMISSION
L = LOWLINE	3 = HD DODGE 2WD 8 = HD DODGE 4WD 6 = Lt. Duty DODGE 4WD 2 = Med. Duty DODGE 2WD 7 = Med. Duty DODGE 4WD 4 = TRUCK	12 = Van 140" 51 = Wagon 118" 52 = Wagon 140" 14 = Van 118" 15 = Van 140" 16 = Van 158" 54 = Wagon 118" 55 = Wagon 140" 56 = Wagon 158" 01 = Chassis Forward Control 118" 02 = Chassis Forward Control 140" 06 = Front Section 158" 11 = Van 118"	EX8 = Engine - 2.7L I5 Mercedes-Benz TD	DGJ = Transmission - 5-Spd Auto, MB

AR = use ase required - = Non illustrated part

**Plumbing, Air Conditioning
Figure 24-270**

ITEM	PART NUMBER	QTY	LINE	SERIES	BODY	ENGINE	TRANS	TRIM	DESCRIPTION
------	-------------	-----	------	--------	------	--------	-------	------	-------------

Sales Codes:
[HAB] = Air Conditioning with Auto Temp Control
[HBD] = Rear Heavy Duty Air Conditioning



1									LABEL, A/C Spec.
	05124359AA	1	3, 7		02, 06	EX8			
		1	3, 7		12, 15, 16	EX8			
		1	2, 6		01, 02, 06	EX8			
		1	2, 6		11, 12, 14, 15, 16	EX8			
		1	2, 6		51, 52, 54, 55, 56	EX8			
2									LINE, A/C Suction And Liquid
	05104479AA	1	2, 6		01, 02, 06	EX8			
		1	2, 6		11, 12, 14, 15, 16	EX8			
		1	2, 6		51, 52, 54, 55, 56	EX8			
		1	3, 7		02, 06	EX8			
		1	3, 7		12, 15, 16	EX8			
3									SCREW
	05126135AA	2	2, 6		01, 02, 06	EX8			
		2	2, 6		11, 12, 14, 15, 16	EX8			
		2	2, 6		51, 52, 54, 55, 56	EX8			
		2	3, 7		02, 06	EX8			
		2	3, 7		12, 15, 16	EX8			
4		2							NUT, (NOT SERVICED)
5									LOCK WASHER
	05126240AA	1	2, 6		01, 02, 06	EX8			
		1	2, 6		11, 12, 14, 15, 16	EX8			
		1	2, 6		51, 52, 54, 55, 56	EX8			

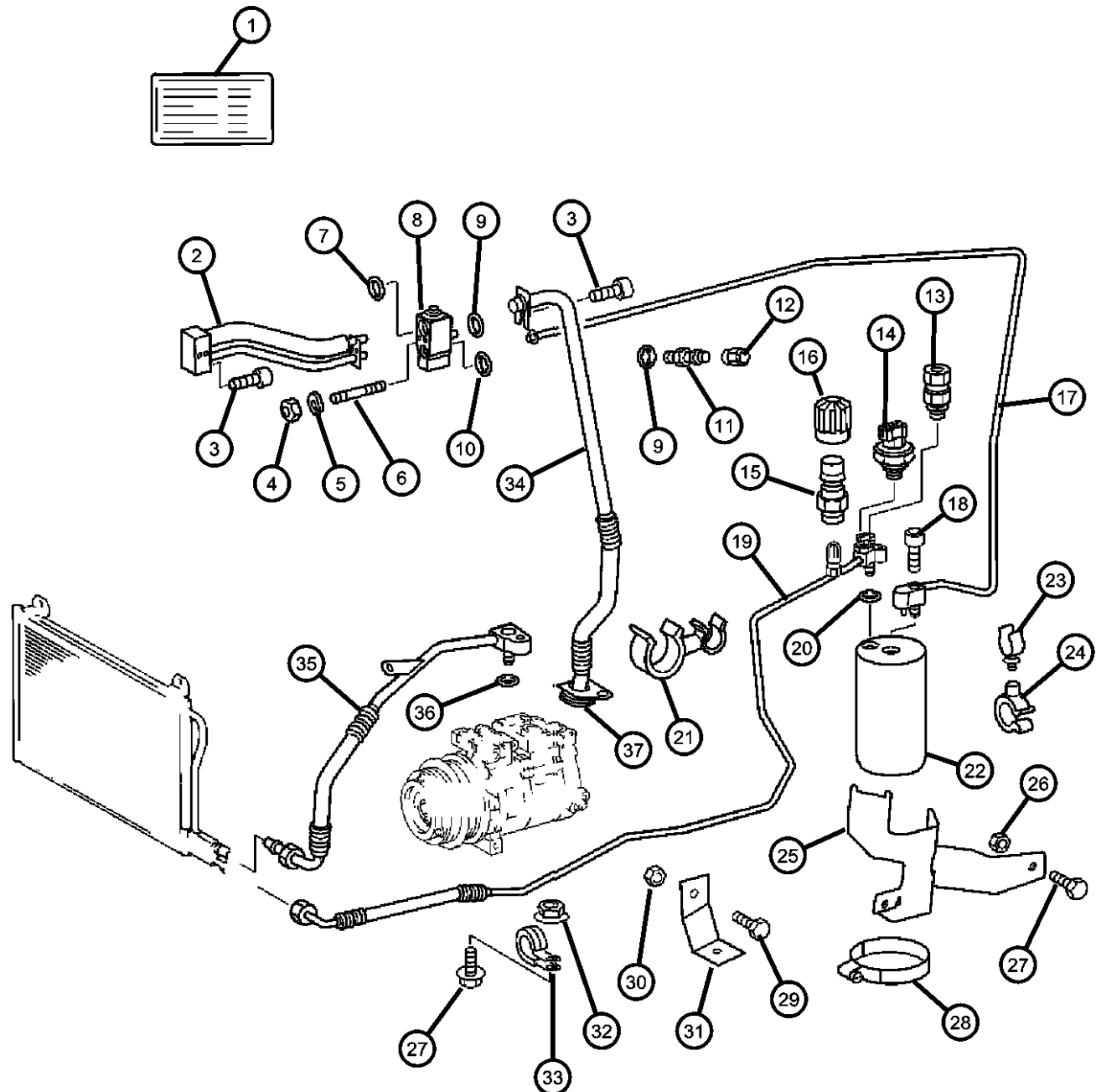
SPRINTER (VA)

SERIES	LINE	BODY	ENGINE	TRANSMISSION
L = LOWLINE	3 = HD DODGE 2WD 8 = HD DODGE 4WD 6 = Lt. Duty DODGE 4WD 2 = Med. Duty DODGE 2WD 7 = Med. Duty DODGE 4WD 4 = TRUCK	12 = Van 140" 51 = Wagon 118" 52 = Wagon 140" 14 = Van 118" 15 = Van 140" 16 = Van 158" 54 = Wagon 118" 55 = Wagon 140" 56 = Wagon 158"	EX8 = Engine - 2.7L I5 Mercedes-Benz TD	DGJ = Transmission - 5-Spd Auto, MB
		01 = Chassis Forward Control 118"		
		02 = Chassis Forward Control 140"		
		06 = Front Section 158"		
		11 = Van 118"		

AR = use ase required - = Non illustrated part

2005 VA

Plumbing, Air Conditioning
Figure 24-270

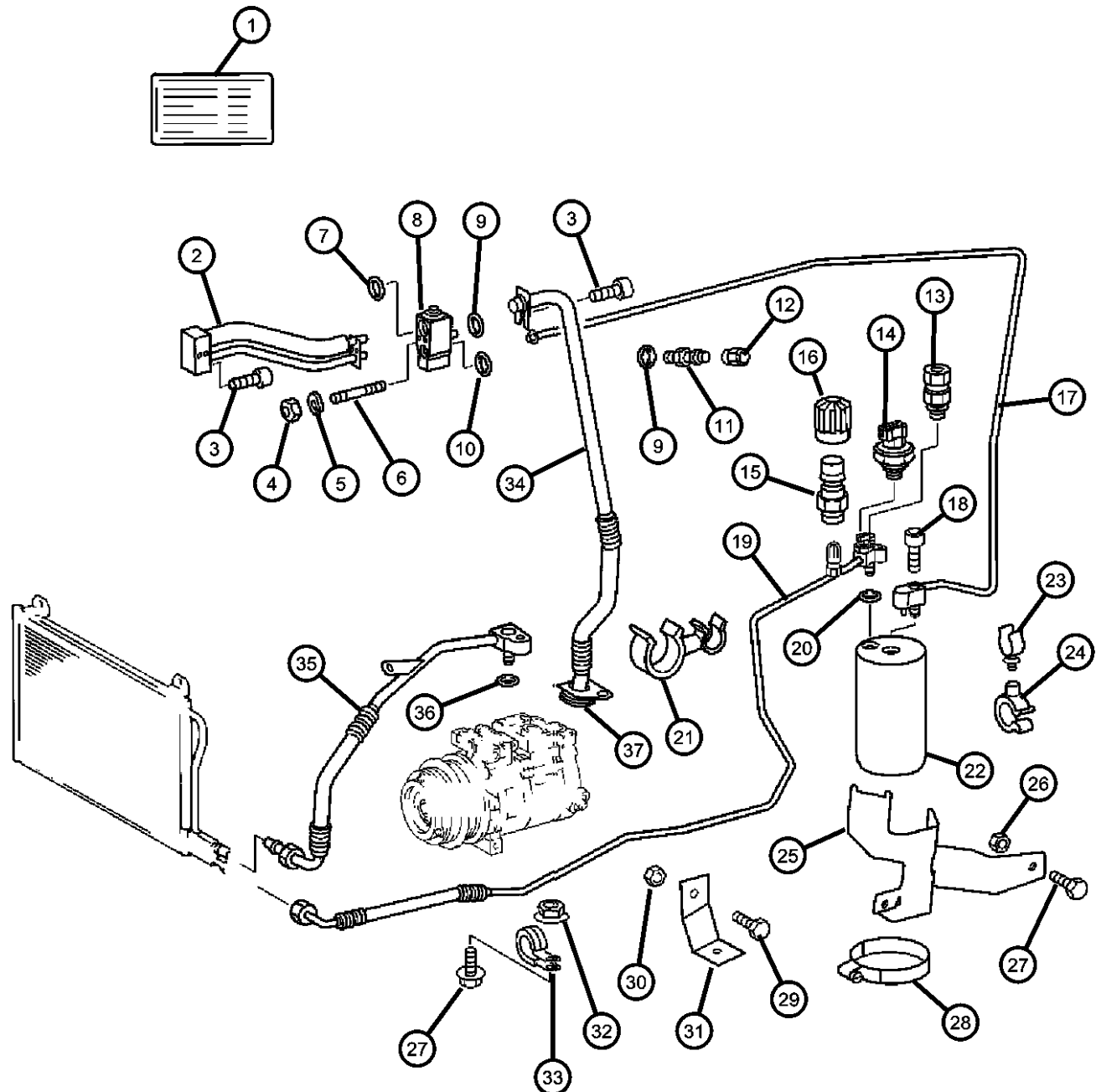


ITEM	PART NUMBER	QTY	LINE	SERIES	BODY	ENGINE	TRANS	TRIM	DESCRIPTION
		1	3, 7		02, 06	EX8			
		1	3, 7		12, 15, 16	EX8			
6	05134028AA	1	2, 6		01, 02, 06	EX8			STUD, Expansion Valve
		1	2, 6		11, 12, 14, 15, 16	EX8			
		1	2, 6		51, 52, 54, 55, 56	EX8			
		1	3, 7		02, 06	EX8			
		1	3, 7		12, 15, 16	EX8			
7	05098971AA	1	2, 6		01, 02, 06	EX8			O RING, A/C Line
		1	2, 6		11, 12, 14, 15, 16	EX8			
		1	2, 6		51, 52, 54, 55, 56	EX8			
		1	3, 7		02, 06	EX8			
		1	3, 7		12, 15, 16	EX8			
8	05143304AA	1	2, 3, 6, 7			EX8			VALVE, Expansion
9	05103930AA	2	2, 6		01, 02, 06	EX8			O RING, A/C Line
		2	2, 6		11, 12, 14, 15, 16	EX8			
		2	2, 6		51, 52, 54, 55, 56	EX8			
		2	3, 7		02, 06	EX8			
		2	3, 7		12, 15, 16	EX8			
10	05098970AA	2	2, 6		01, 02, 06	EX8			O RING, A/C Line
		2	2, 6		11, 12, 14, 15, 16	EX8			

SPRINTER (VA)
 SERIES LINE BODY ENGINE TRANSMISSION
 L = LOWLINE 3 = HD DODGE 2WD 12 = Van 140" EX8 = Engine - 2.7L I5 DGJ = Transmission - 5-Spd Auto, MB
 8 = HD DODGE 4WD 51 = Wagon 118" Mercedes-Benz TD
 6 = Lt. Duty DODGE 4WD 52 = Wagon 140"
 2 = Med. Duty DODGE 2WD 14 = Van 118"
 7 = Med. Duty DODGE 4WD 15 = Van 140"
 4 = TRUCK 16 = Van 158"
 54 = Wagon 118"
 55 = Wagon 140"
 56 = Wagon 158"
 01 = Chassis Forward Control 118"
 02 = Chassis Forward Control 140"
 06 = Front Section 158"
 11 = Van 118"

AR = use ase required - = Non illustrated part

Plumbing, Air Conditioning
Figure 24-270



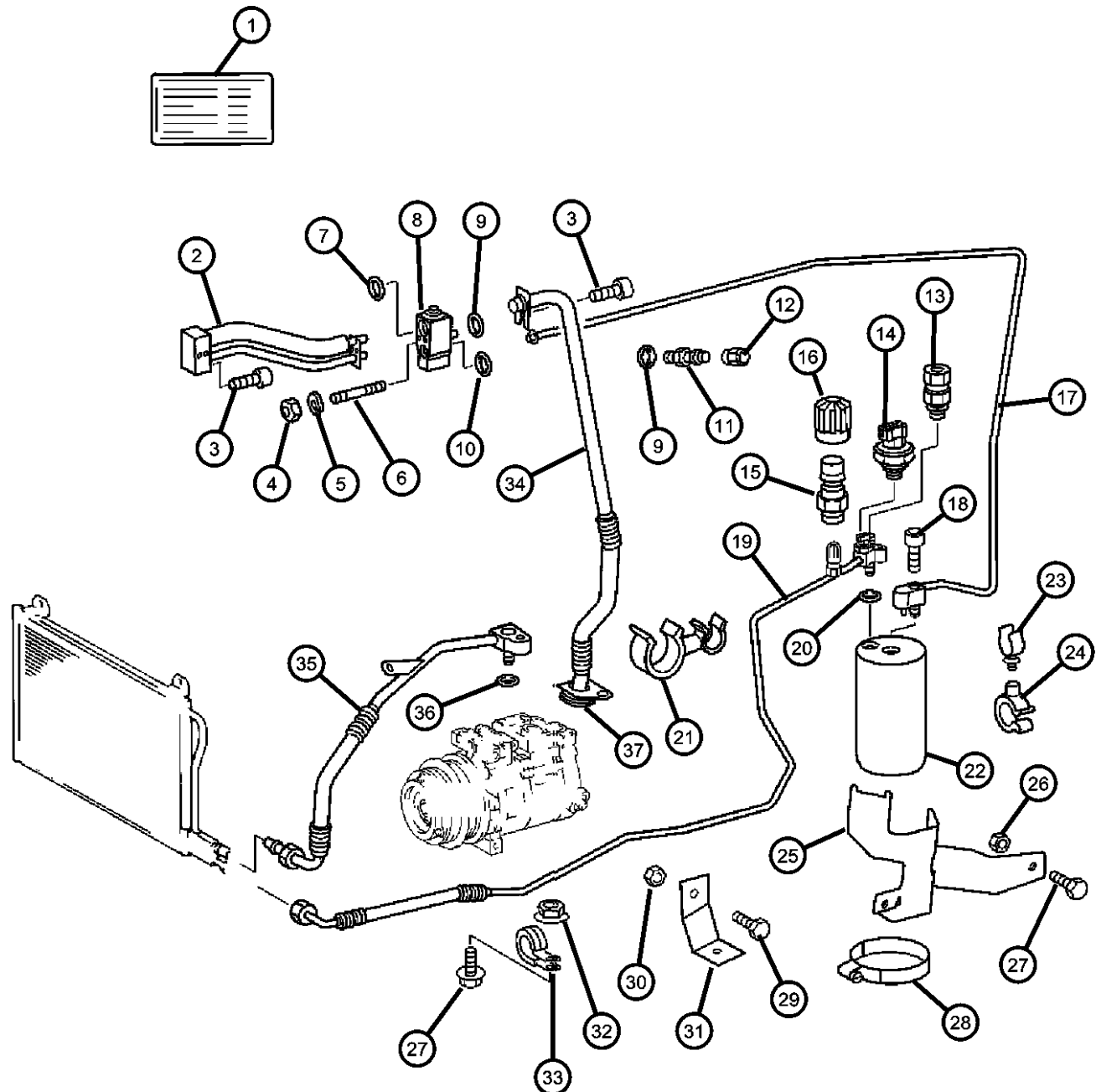
ITEM	PART NUMBER	QTY	LINE	SERIES	BODY	ENGINE	TRANS	TRIM	DESCRIPTION
		2	2, 6		51, 52, 54, 55, 56	EX8			
		2	3, 7		02, 06	EX8			
		2	3, 7		12, 15, 16	EX8			
11									VALVE, Check
	05103771AA	1	2, 6		01, 02, 06	EX8			
		1	2, 6		11, 12, 14, 15, 16	EX8			
		1	2, 6		51, 52, 54, 55, 56	EX8			
		1	3, 7		02, 06	EX8			
		1	3, 7		12, 15, 16	EX8			
12									CAP, Sealing
	05134029AA	1	2, 6		01, 02, 06	EX8			
		1	2, 6		11, 12, 14, 15, 16	EX8			
		1	2, 6		51, 52, 54, 55, 56	EX8			
		1	3, 7		02, 06	EX8			
		1	3, 7		12, 15, 16	EX8			
13									VALVE, A/C Pressure Relief
	05098395AA	1	2, 6		01, 02, 06	EX8			
		1	2, 6		11, 12, 14, 15, 16	EX8			
		1	2, 6		51, 52, 54, 55, 56	EX8			
		1	3, 7		02, 06	EX8			
		1	3, 7		12, 15, 16	EX8			
14									SWITCH, A/C Pressure
	05097873AA	1	2, 6		01, 02, 06	EX8			
		1	2, 6		11, 12, 14, 15, 16	EX8			

SPRINTER (VA)

SERIES	LINE	BODY	ENGINE	TRANSMISSION
L = LOWLINE	3 = HD DODGE 2WD 8 = HD DODGE 4WD 6 = Lt. Duty DODGE 4WD 2 = Med. Duty DODGE 2WD 7 = Med. Duty DODGE 4WD 4 = TRUCK	12 = Van 140" 51 = Wagon 118" 52 = Wagon 140" 14 = Van 118" 15 = Van 140" 16 = Van 158" 54 = Wagon 118" 55 = Wagon 140" 56 = Wagon 158" 01 = Chassis Forward Control 118" 02 = Chassis Forward Control 140" 06 = Front Section 158" 11 = Van 118"	EX8 = Engine - 2.7L I5 Mercedes-Benz TD	DGJ = Transmission - 5-Spd Auto, MB

AR = use ase required - = Non illustrated part

Plumbing, Air Conditioning
Figure 24-270

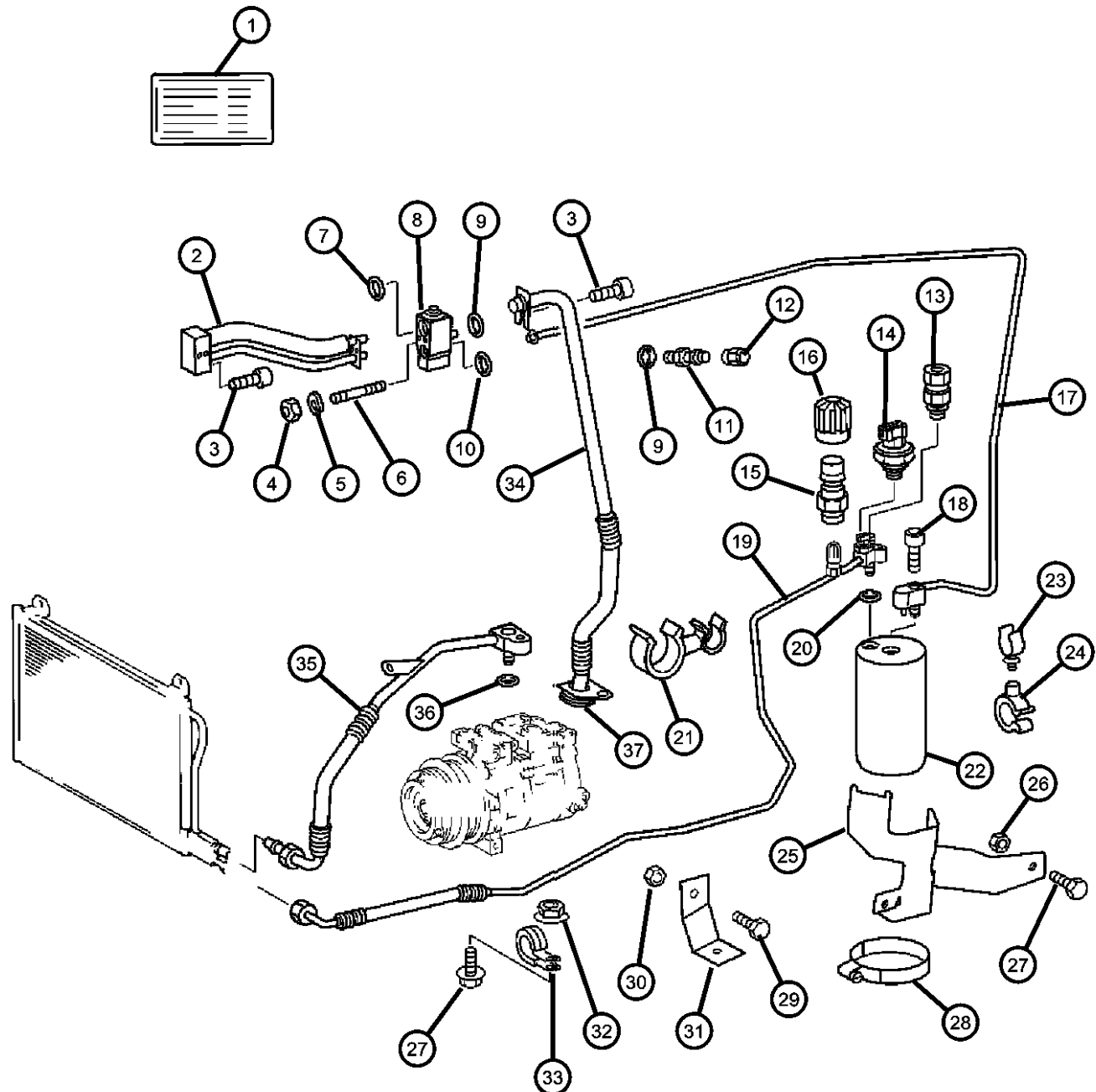


ITEM	PART NUMBER	QTY	LINE	SERIES	BODY	ENGINE	TRANS	TRIM	DESCRIPTION
		1	2, 6		51, 52, 54, 55, 56	EX8			
		1	3, 7		02, 06	EX8			
		1	3, 7		12, 15, 16	EX8			
15									VALVE, Charging
	05098396AA	1	2, 6		01, 02, 06	EX8			
		1	2, 6		11, 12, 14, 15, 16	EX8			
		1	2, 6		51, 52, 54, 55, 56	EX8			
		1	3, 7		02, 06	EX8			
		1	3, 7		12, 15, 16	EX8			
16									CAP, A/C Charge Valve
	05098958AA	1	2, 6		11, 12, 14, 15, 16	EX8			
		1	2, 6		51, 52, 54, 55, 56	EX8			
		1	3, 7		02, 06	EX8			
		1	3, 7		12, 15, 16	EX8			
		1	2, 6		01, 02, 06	EX8			
17									LINE, Receiver/Drier to Expansion Valve
	05124646AA	1	2, 6		01, 02, 06	EX8			
		1	2, 6		11, 12, 14, 15, 16	EX8			
		1	2, 6		51, 52, 54, 55, 56	EX8			
		1	3, 7		02, 06	EX8			
		1	3, 7		12, 15, 16	EX8			
18									SCREW
	05126136AA	2	2, 6		01, 02, 06	EX8			
		2	2, 6		11, 12, 14, 15, 16	EX8			

SPRINTER (VA)
 SERIES LINE BODY ENGINE TRANSMISSION
 L = LOWLINE 3 = HD DODGE 2WD 12 = Van 140" EX8 = Engine - 2.7L I5 DGJ = Transmission - 5-Spd Auto, MB
 8 = HD DODGE 4WD 51 = Wagon 118" Mercedes-Benz TD
 6 = Lt. Duty DODGE 4WD 52 = Wagon 140"
 2 = Med. Duty DODGE 2WD 14 = Van 118"
 7 = Med. Duty DODGE 4WD 15 = Van 140"
 4 = TRUCK 16 = Van 158"
 54 = Wagon 118"
 55 = Wagon 140"
 56 = Wagon 158"
 01 = Chassis Forward Control
 118"
 02 = Chassis Forward Control
 140"
 06 = Front Section 158"
 11 = Van 118"

AR = use ase required - = Non illustrated part

Plumbing, Air Conditioning
Figure 24-270



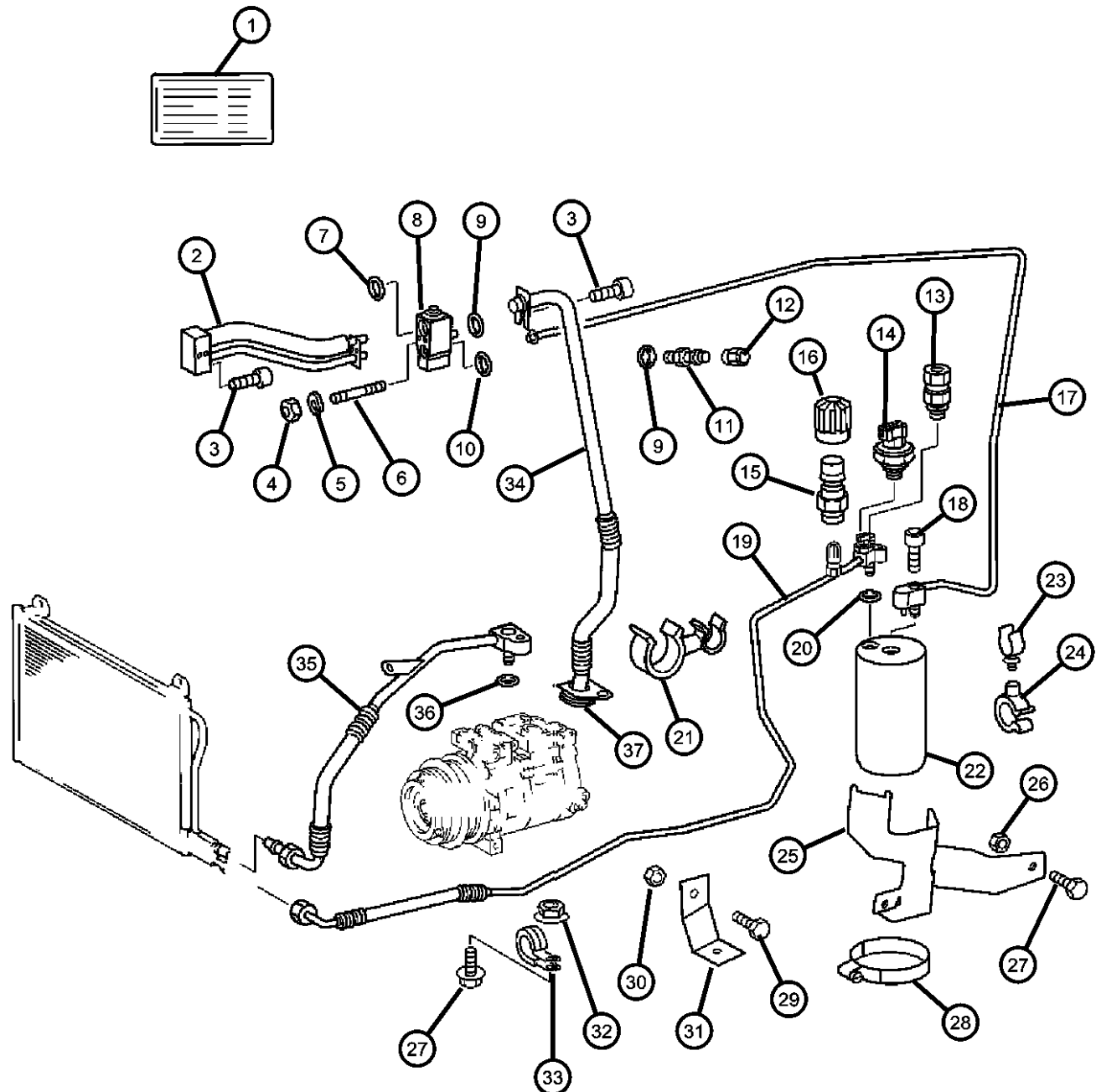
ITEM	PART NUMBER	QTY	LINE	SERIES	BODY	ENGINE	TRANS	TRIM	DESCRIPTION
		2	2, 6		51, 52, 54, 55, 56	EX8			
		2	3, 7		02, 06	EX8			
		2	3, 7		12, 15, 16	EX8			
19									LINE, Condenser to Receiver/Drier
	05104484AA	1	2, 6		01, 02, 06	EX8			
		1	2, 6		11, 12, 14, 15, 16	EX8			
		1	2, 6		51, 52, 54, 55, 56	EX8			
		1	3, 7		02, 06	EX8			
		1	3, 7		12, 15, 16	EX8			
20									O RING, Air Conditioning Line
	05103571AA	1	2, 6		01, 02, 06	EX8			
		1	2, 6		11, 12, 14, 15, 16	EX8			
		1	2, 6		51, 52, 54, 55, 56	EX8			
		1	3, 7		02, 06	EX8			
		1	3, 7		12, 15, 16	EX8			
21									CLIP, Hose
	05124806AA	1	2, 6		01, 02, 06	EX8			
		1	2, 6		11, 12, 14, 15, 16	EX8			
		1	2, 6		51, 52, 54, 55, 56	EX8			
	05125881AA	1	3, 7		02, 06	EX8			
		1	3, 7		12, 15, 16	EX8			
22									RECEIVER DRIER
	05103570AA	1	2, 6		01, 02, 06	EX8			
		1	2, 6		11, 12, 14, 15, 16	EX8			

SPRINTER (VA)

SERIES	LINE	BODY	ENGINE	TRANSMISSION
L = LOWLINE	3 = HD DODGE 2WD 8 = HD DODGE 4WD 6 = Lt. Duty DODGE 4WD 2 = Med. Duty DODGE 2WD 7 = Med. Duty DODGE 4WD 4 = TRUCK	12 = Van 140" 51 = Wagon 118" 52 = Wagon 140" 14 = Van 118" 15 = Van 140" 16 = Van 158" 54 = Wagon 118" 55 = Wagon 140" 56 = Wagon 158" 01 = Chassis Forward Control 118" 02 = Chassis Forward Control 140" 06 = Front Section 158" 11 = Van 118"	EX8 = Engine - 2.7L I5 Mercedes-Benz TD	DGJ = Transmission - 5-Spd Auto, MB

AR = use ase required - = Non illustrated part

Plumbing, Air Conditioning
Figure 24-270

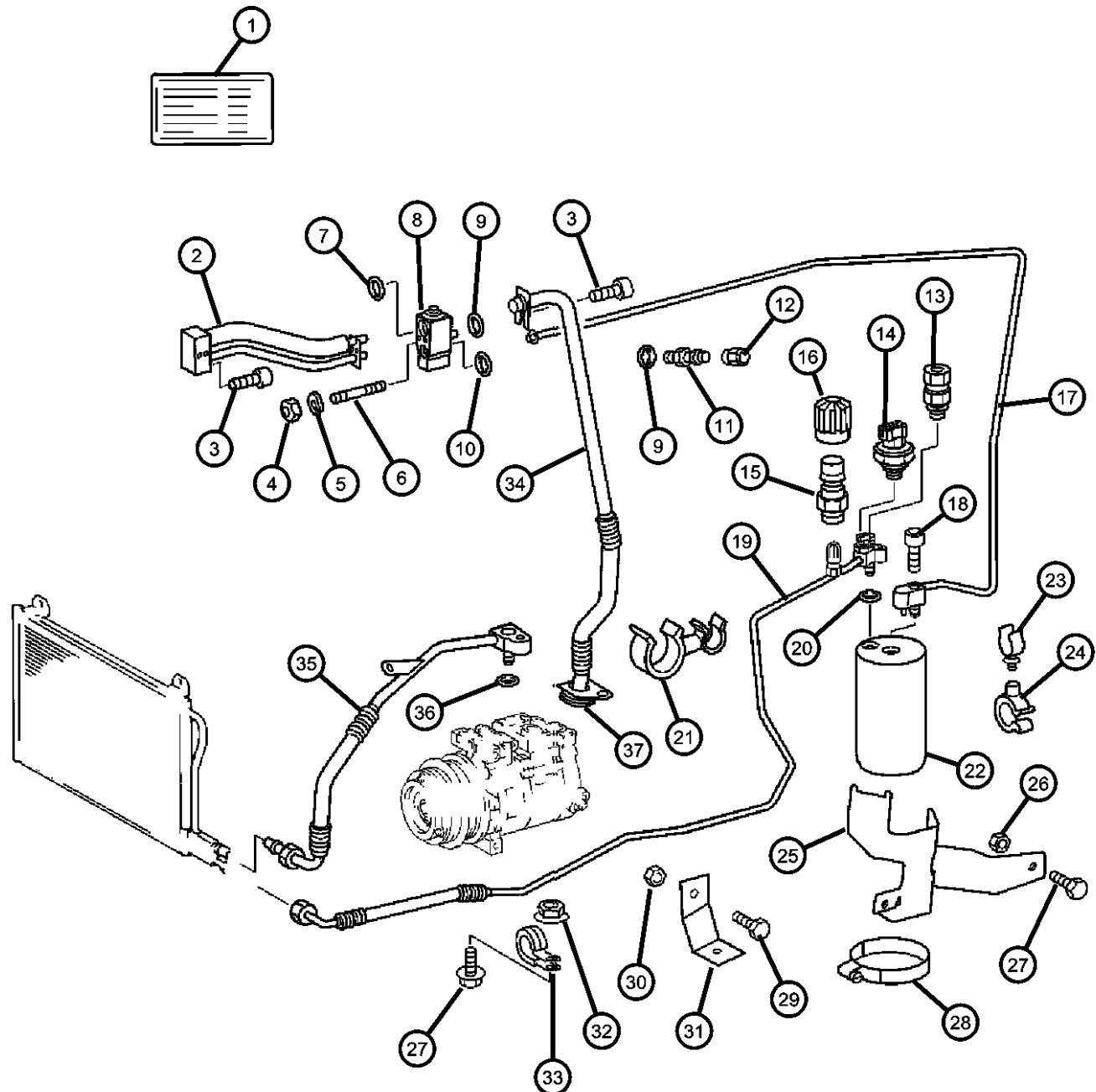


ITEM	PART NUMBER	QTY	LINE	SERIES	BODY	ENGINE	TRANS	TRIM	DESCRIPTION
		1	2, 6		51, 52, 54, 55, 56	EX8			
		1	3, 7		02, 06	EX8			
		1	3, 7		12, 15, 16	EX8			
23									CLIP, Retaining
	06104924AA	1	2, 6		01, 02, 06	EX8			
		1	2, 6		11, 12, 14, 15, 16	EX8			
		1	2, 6		51, 52, 54, 55, 56	EX8			
		1	3, 7		02, 06	EX8			
		1	3, 7		12, 15, 16	EX8			
24									CLAMP, HOSE CLAMP
	05133495AA	1	2, 6		01, 02, 06	EX8			
		1	2, 6		11, 12, 14, 15, 16	EX8			
		1	2, 6		51, 52, 54, 55, 56	EX8			
		1	3, 7		02, 06	EX8			
		1	3, 7		12, 15, 16	EX8			
25									BRACKET, Recirculating Pump
	05124791AA	1	2, 6		01, 02, 06	EX8			
		1	2, 6		11, 12, 14, 15, 16	EX8			
		1	2, 6		51, 52, 54, 55, 56	EX8			
		1	3, 7		02, 06	EX8			
		1	3, 7		12, 15, 16	EX8			
26									NUT, Hex, M6
	05096978AA	2	2, 6		01, 02, 06	EX8			
		2	2, 6		11, 12, 14, 15, 16	EX8			

SPRINTER (VA)
 SERIES LINE BODY ENGINE TRANSMISSION
 L = LOWLINE 3 = HD DODGE 2WD 12 = Van 140" EX8 = Engine - 2.7L I5 DGJ = Transmission - 5-Spd Auto, MB
 8 = HD DODGE 4WD 51 = Wagon 118" Mercedes-Benz TD
 6 = Lt. Duty DODGE 4WD 52 = Wagon 140"
 2 = Med. Duty DODGE 2WD 14 = Van 118"
 7 = Med. Duty DODGE 4WD 15 = Van 140"
 4 = TRUCK 16 = Van 158"
 54 = Wagon 118"
 55 = Wagon 140"
 56 = Wagon 158"
 01 = Chassis Forward Control 118"
 02 = Chassis Forward Control 140"
 06 = Front Section 158"
 11 = Van 118"

AR = use ase required - = Non illustrated part

Plumbing, Air Conditioning
Figure 24-270

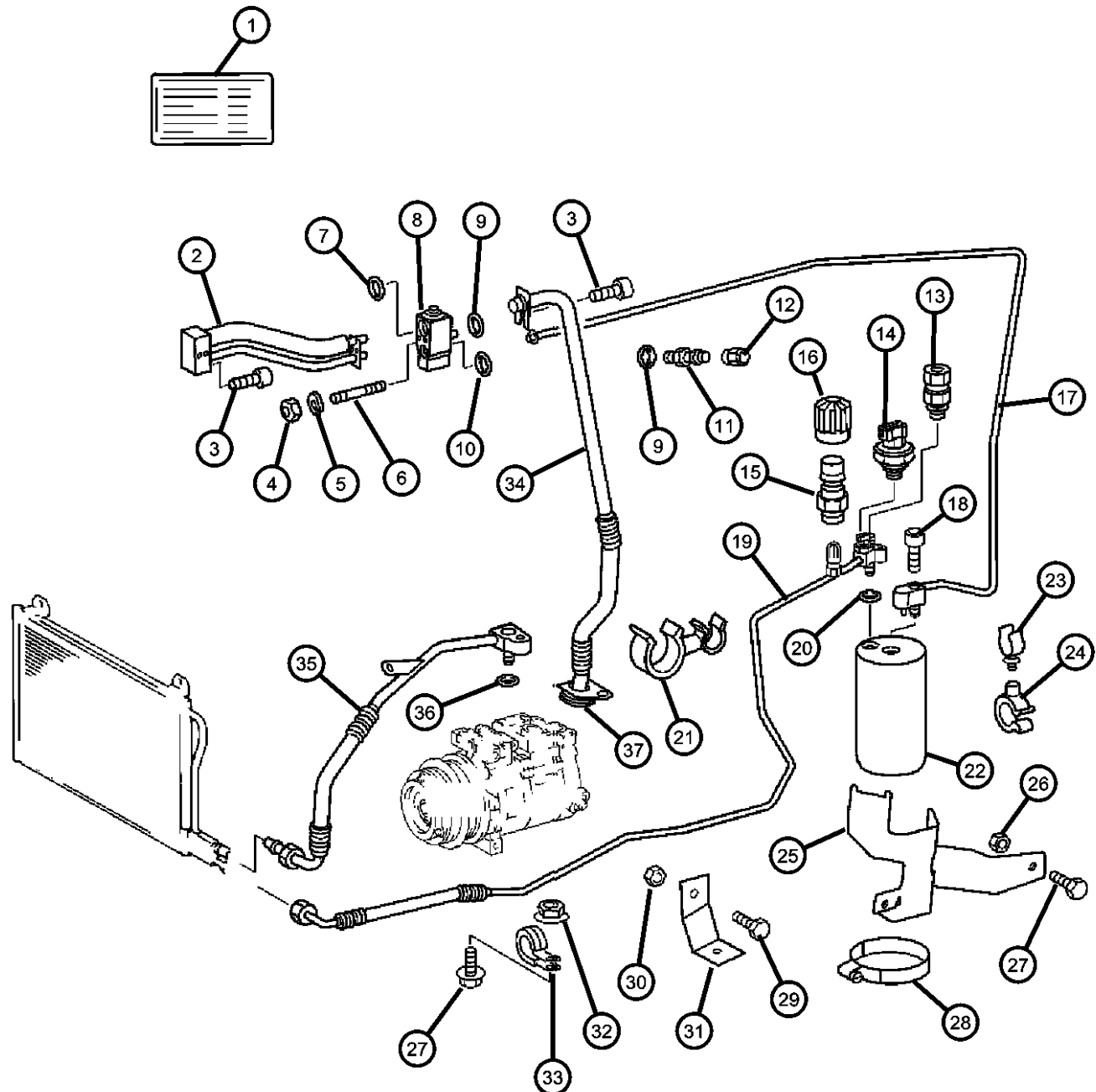


ITEM	PART NUMBER	QTY	LINE	SERIES	BODY	ENGINE	TRANS	TRIM	DESCRIPTION
		2	2, 6		51, 52, 54, 55, 56	EX8			
		2	3, 7		02, 06	EX8			
		2	3, 7		12, 15, 16	EX8			
27									SCREW
	06104005AA	2	2, 6		01, 02, 06	EX8			
		2	2, 6		11, 12, 14, 15, 16	EX8			
		2	2, 6		51, 52, 54, 55, 56	EX8			
		2	3, 7		02, 06	EX8			
		2	3, 7		12, 15, 16	EX8			
28									CLAMP
	06104787AA	1	2, 6		01, 02, 06	EX8			
		1	2, 6		11, 12, 14, 15, 16	EX8			
		1	2, 6		51, 52, 54, 55, 56	EX8			
	06104791AA	1	3, 7		02, 06	EX8			
		1	3, 7		12, 15, 16	EX8			
29									NUT, M6x1.00
	05127449AA	1	2, 6		01, 02, 06	EX8			
		1	2, 6		11, 12, 14, 15, 16	EX8			
		1	2, 6		51, 52, 54, 55, 56	EX8			
		2	3, 7		02, 06	EX8			
		2	3, 7		12, 15, 16	EX8			
30									NUT AND WASHER, M6x1
	06104725AA	1	2, 6		01, 02, 06	EX8			
		1	2, 6		11, 12, 14, 15, 16	EX8			

SPRINTER (VA)
 SERIES LINE BODY ENGINE TRANSMISSION
 L = LOWLINE 3 = HD DODGE 2WD 12 = Van 140" EX8 = Engine - 2.7L I5 DGJ = Transmission - 5-Spd Auto, MB
 8 = HD DODGE 4WD 51 = Wagon 118" Mercedes-Benz TD
 6 = Lt. Duty DODGE 4WD 52 = Wagon 140"
 2 = Med. Duty DODGE 2WD 14 = Van 118"
 7 = Med. Duty DODGE 4WD 15 = Van 140"
 4 = TRUCK 16 = Van 158"
 54 = Wagon 118"
 55 = Wagon 140"
 56 = Wagon 158"
 01 = Chassis Forward Control 118"
 02 = Chassis Forward Control 140"
 06 = Front Section 158"
 11 = Van 118"

AR = use ase required - = Non illustrated part

Plumbing, Air Conditioning
Figure 24-270



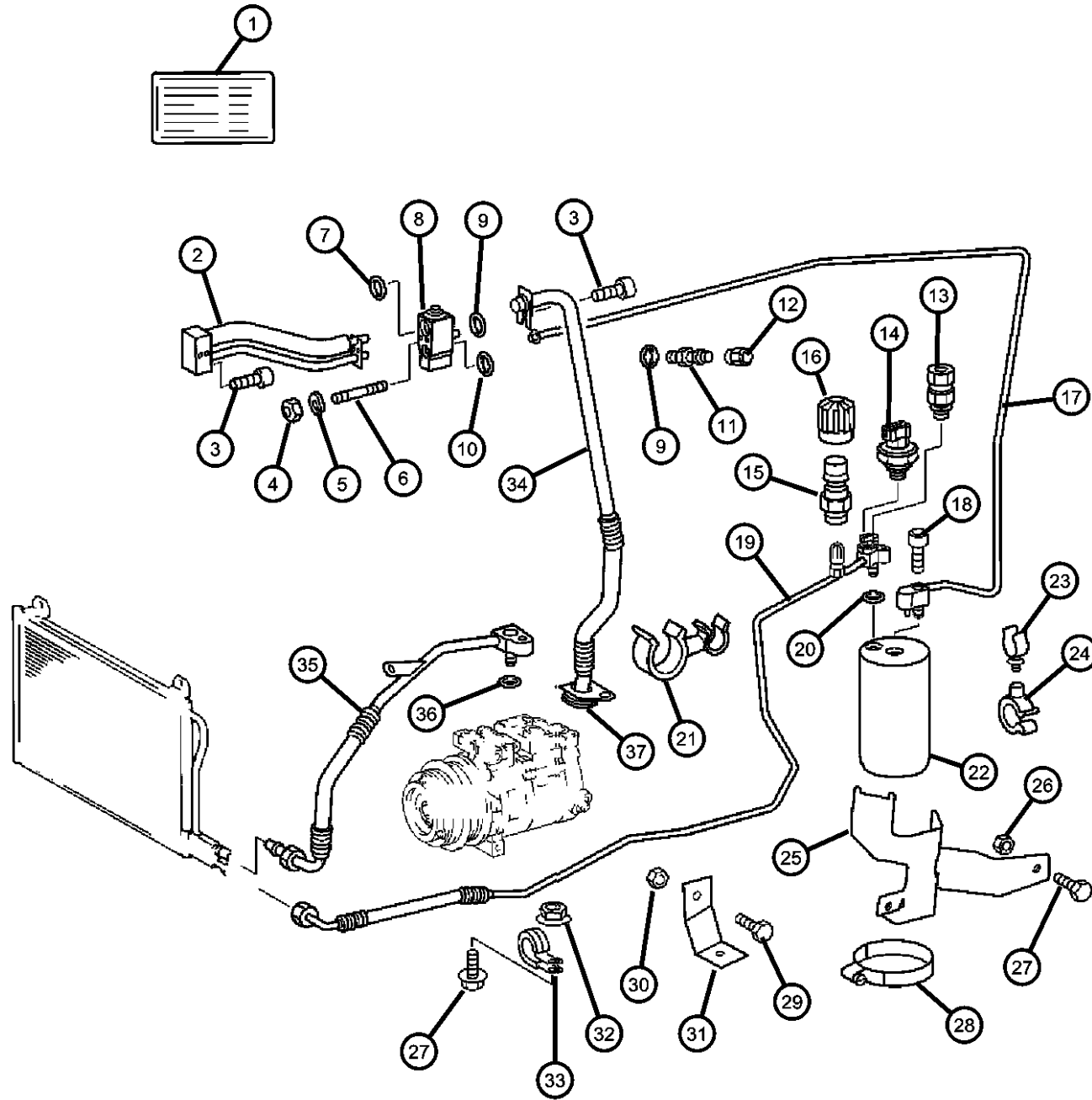
ITEM	PART NUMBER	QTY	LINE	SERIES	BODY	ENGINE	TRANS	TRIM	DESCRIPTION
		1	2, 6		51, 52, 54, 55, 56	EX8			
		1	3, 7		02, 06	EX8			
		1	3, 7		12, 15, 16	EX8			
31		1							BRACKET, (NOT SERVICED)
32									NUT, Hex, M6
	05096978AA	2	2, 6		01, 02, 06	EX8			
		2	2, 6		11, 12, 14, 15, 16	EX8			
		2	2, 6		51, 52, 54, 55, 56	EX8			
		2	3, 7		02, 06	EX8			
		2	3, 7		12, 15, 16	EX8			
33									CLAMP, Air Conditioning Piping
	05126284AA	1	2, 6		01, 02, 06	EX8			
		1	2, 6		11, 12, 14, 15, 16	EX8			
		1	2, 6		51, 52, 54, 55, 56	EX8			
		1	3, 7		02, 06	EX8			
		1	3, 7		12, 15, 16	EX8			
34									LINE, Expansion Valve to Compressor
	05124647AA	1	2, 6		01, 02, 06	EX8			
		1	2, 6		11, 12, 14, 15, 16	EX8			
		1	2, 6		51, 52, 54, 55, 56	EX8			
		1	3, 7		02, 06	EX8			
		1	3, 7		12, 15, 16	EX8			
35									LINE, A/C Compressor
	05124817AA	1	2, 6		01, 02, 06	EX8			

SPRINTER (VA)
 SERIES LINE BODY ENGINE TRANSMISSION
 L = LOWLINE 3 = HD DODGE 2WD 12 = Van 140" EX8 = Engine - 2.7L I5 DGJ = Transmission - 5-Spd Auto, MB
 8 = HD DODGE 4WD 51 = Wagon 118" Mercedes-Benz TD
 6 = Lt. Duty DODGE 4WD 52 = Wagon 140"
 2 = Med. Duty DODGE 2WD 14 = Van 118"
 7 = Med. Duty DODGE 4WD 15 = Van 140"
 4 = TRUCK 16 = Van 158"
 54 = Wagon 118"
 55 = Wagon 140"
 56 = Wagon 158"
 01 = Chassis Forward Control 118"
 02 = Chassis Forward Control 140"
 06 = Front Section 158"
 11 = Van 118"

AR = use ase required - = Non illustrated part

Plumbing, Air Conditioning
Figure 24-270

ITEM	PART NUMBER	QTY	LINE	SERIES	BODY	ENGINE	TRANS	TRIM	DESCRIPTION
------	-------------	-----	------	--------	------	--------	-------	------	-------------



		1	2, 6		11, 12, 14, 15, 16	EX8			
		1	2, 6		51, 52, 54, 55, 56	EX8			
		1	3, 7		02, 06	EX8			
		1	3, 7		12, 15, 16	EX8			
36									O RING, A/C Line
	05098972AA	1	2, 6		01, 02, 06	EX8			
		1	2, 6		11, 12, 14, 15, 16	EX8			
		1	2, 6		51, 52, 54, 55, 56	EX8			
		1	3, 7		02, 06	EX8			
		1	3, 7		12, 15, 16	EX8			
37									SEAL, O-Ring
	05134027AA	1	2, 6		11, 12, 14, 15, 16	EX8			
		1	2, 6		51, 52, 54, 55, 56	EX8			
		1	3, 7		02, 06	EX8			
		1	3, 7		12, 15, 16	EX8			
		1	2, 6		01, 02, 06	EX8			

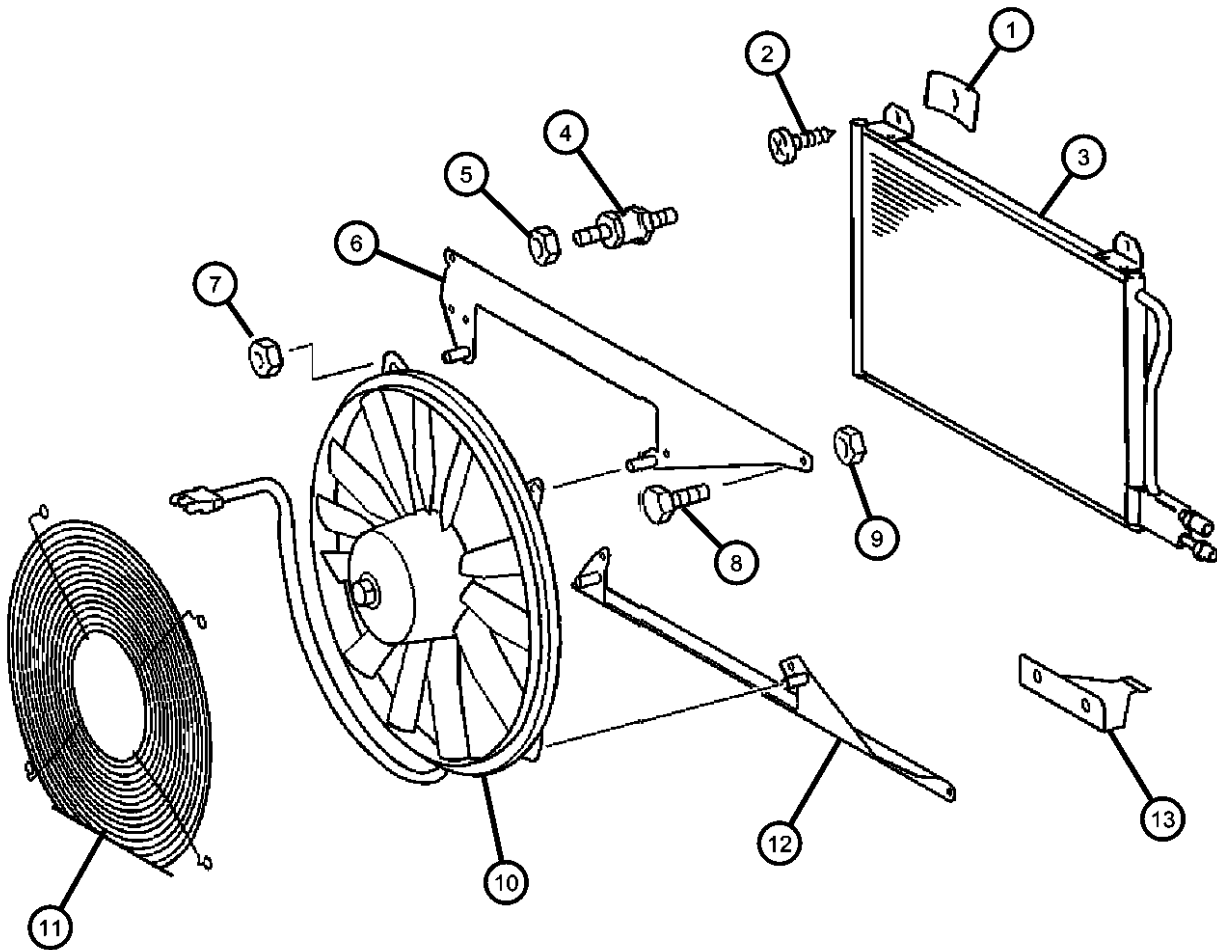
SPRINTER (VA)

SERIES	LINE	BODY	ENGINE	TRANSMISSION
L = LOWLINE	3 = HD DODGE 2WD 8 = HD DODGE 4WD 6 = Lt. Duty DODGE 4WD 2 = Med. Duty DODGE 2WD 7 = Med. Duty DODGE 4WD 4 = TRUCK	12 = Van 140" 51 = Wagon 118" 52 = Wagon 140" 14 = Van 118" 15 = Van 140" 16 = Van 158" 54 = Wagon 118" 55 = Wagon 140" 56 = Wagon 158" 01 = Chassis Forward Control 118" 02 = Chassis Forward Control 140" 06 = Front Section 158" 11 = Van 118"	EX8 = Engine - 2.7L I5 Mercedes-Benz TD	DGJ = Transmission - 5-Spd Auto, MB

AR = use ase required - = Non illustrated part

2005 VA

**Condenser, Fan Front
Figure 24-280**

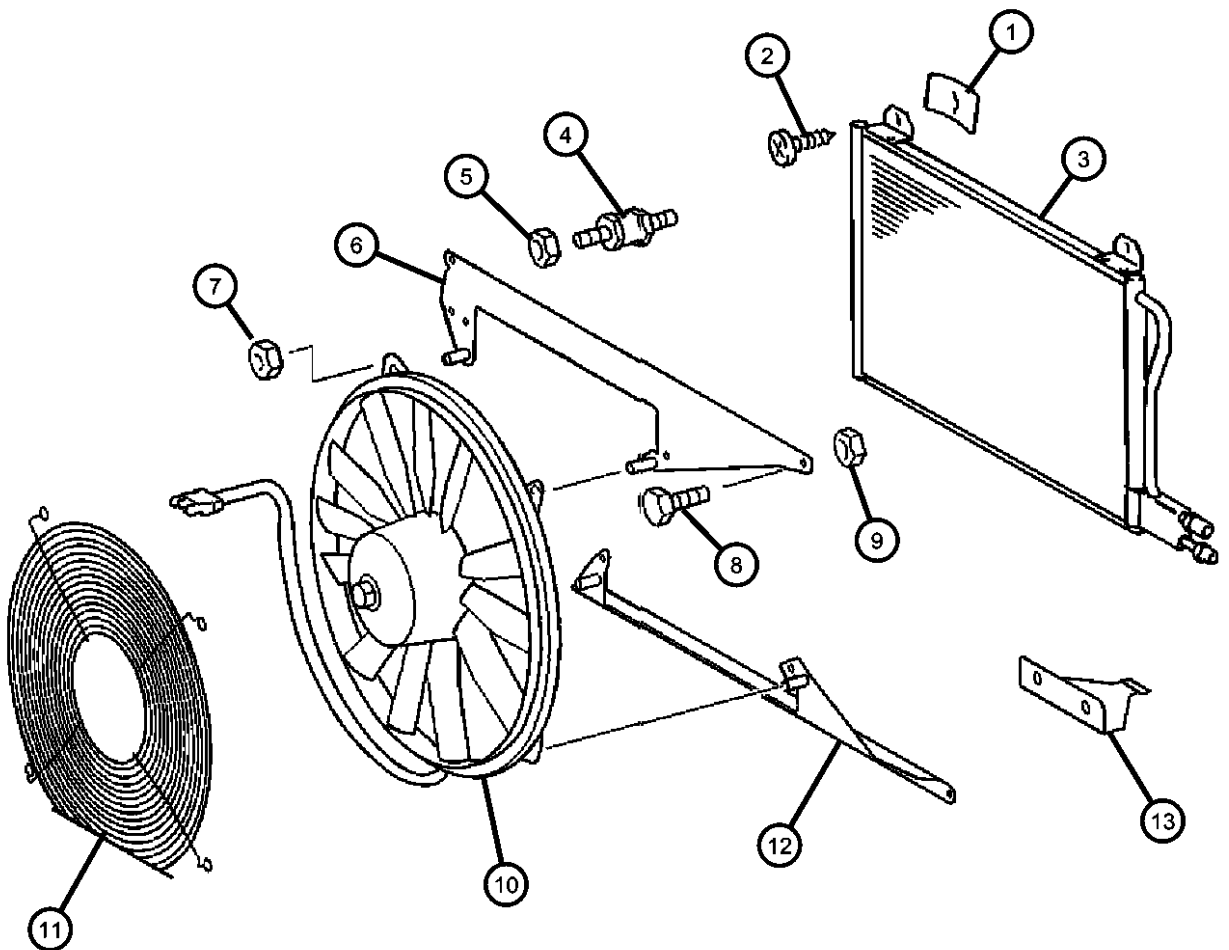


ITEM	PART NUMBER	QTY	LINE	SERIES	BODY	ENGINE	TRANS	TRIM	DESCRIPTION
1	05103735AA	4	2, 6		01, 02, 06	EX8			CLIP
		4	2, 6		11, 12, 14, 15, 16	EX8			
		4	2, 6		51, 52, 54, 55, 56	EX8			
		4	3, 7		02, 06	EX8			
		4	3, 7		12, 15, 16	EX8			
2	06104574AA	4	2, 6		01, 02, 06	EX8			SCREW, Tapping
		4	2, 6		11, 12, 14, 15, 16	EX8			
		4	2, 6		51, 52, 54, 55, 56	EX8			
		4	3, 7		02, 06	EX8			
		4	3, 7		12, 15, 16	EX8			
3	05104114AA	1	2, 6		01, 02, 06	EX8			CONDENSER, A/C
		1	2, 6		11, 12, 14, 15, 16	EX8			[HAB]
		1	2, 6		51, 52, 54, 55, 56	EX8			[HAB]
		1	3, 7		02, 06	EX8			[HAB]
		1	3, 7		12, 15, 16	EX8			[HAB]
	05132357AA	1	2, 6		11, 12, 14, 15, 16	EX8			[HAD]
		1	2, 6		51, 52, 54, 55, 56	EX8			[HAD]
		1	3, 7		12, 15, 16	EX8			[HAD]
4	05104031AA	2	2, 6		01, 02, 06	EX8			STUD, Cooling Fan
		2	2, 6		11, 12, 14, 15, 16	EX8			

SPRINTER (VA)				
SERIES	LINE	BODY	ENGINE	TRANSMISSION
L = LOWLINE	3 = HD DODGE 2WD 8 = HD DODGE 4WD 6 = Lt. Duty DODGE 4WD 2 = Med. Duty DODGE 2WD 7 = Med. Duty DODGE 4WD 4 = TRUCK	12 = Van 140" 51 = Wagon 118" 52 = Wagon 140" 14 = Van 118" 15 = Van 140" 16 = Van 158" 54 = Wagon 118" 55 = Wagon 140" 56 = Wagon 158"	EX8 = Engine - 2.7L I5 Mercedes-Benz TD	DGJ = Transmission - 5-Spd Auto, MB
		01 = Chassis Forward Control 118" 02 = Chassis Forward Control 140" 06 = Front Section 158" 11 = Van 118"		

AR = use ase required - = Non illustrated part

Condenser, Fan Front
Figure 24-280

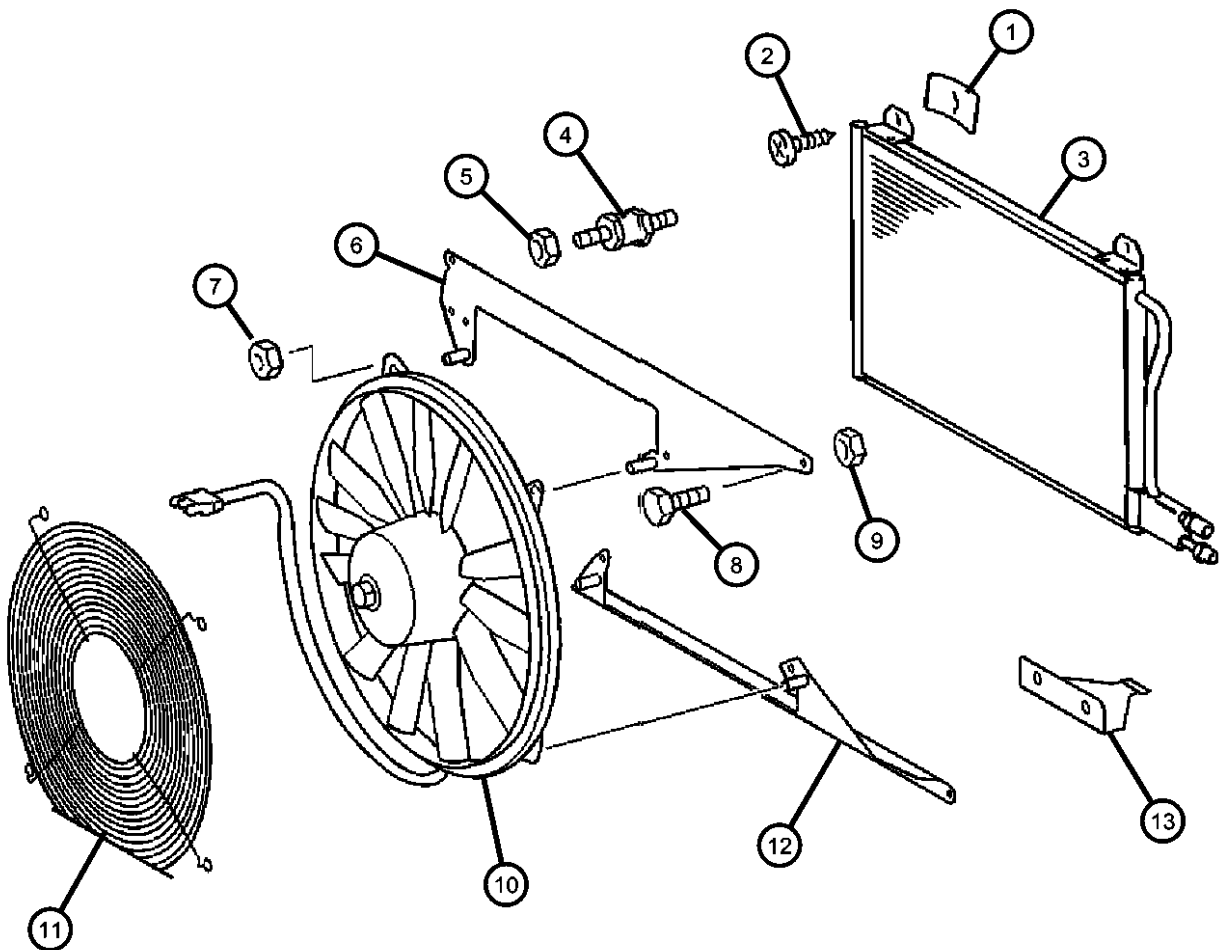


ITEM	PART NUMBER	QTY	LINE	SERIES	BODY	ENGINE	TRANS	TRIM	DESCRIPTION
		2	2, 6		51, 52, 54, 55, 56	EX8			
		2	3, 7		02, 06	EX8			
		2	3, 7		12, 15, 16	EX8			
5									NUT
	05104675AA	2	2, 6		01, 02, 06	EX8			
		2	2, 6		11, 12, 14, 15, 16	EX8			
		2	2, 6		51, 52, 54, 55, 56	EX8			
		2	3, 7		02, 06	EX8			
		2	3, 7		12, 15, 16	EX8			
6									BRACKET, Fan
	05119989AA	1	2, 6		01, 02, 06	EX8			
		1	2, 6		11, 12, 14, 15, 16	EX8			
		1	2, 6		51, 52, 54, 55, 56	EX8			
		1	3, 7		02, 06	EX8			
		1	3, 7		12, 15, 16	EX8			
7									NUT
	06104715AA	4	2, 6		01, 02, 06	EX8			
		4	2, 6		11, 12, 14, 15, 16	EX8			
		4	2, 6		51, 52, 54, 55, 56	EX8			
		4	3, 7		02, 06	EX8			
		4	3, 7		12, 15, 16	EX8			
8									SCREW
	06104005AA	2	2, 6		01, 02, 06	EX8			
		2	2, 6		11, 12, 14, 15, 16	EX8			

SPRINTER (VA)				
SERIES	LINE	BODY	ENGINE	TRANSMISSION
L = LOWLINE	3 = HD DODGE 2WD 8 = HD DODGE 4WD 6 = Lt. Duty DODGE 4WD 2 = Med. Duty DODGE 2WD 7 = Med. Duty DODGE 4WD 4 = TRUCK	12 = Van 140" 51 = Wagon 118" 52 = Wagon 140" 14 = Van 118" 15 = Van 140" 16 = Van 158" 54 = Wagon 118" 55 = Wagon 140" 56 = Wagon 158" 01 = Chassis Forward Control 118" 02 = Chassis Forward Control 140" 06 = Front Section 158" 11 = Van 118"	EX8 = Engine - 2.7L I5 Mercedes-Benz TD	DGJ = Transmission - 5-Spd Auto, MB

AR = use ase required - = Non illustrated part 2005 VA

Condenser, Fan Front
Figure 24-280



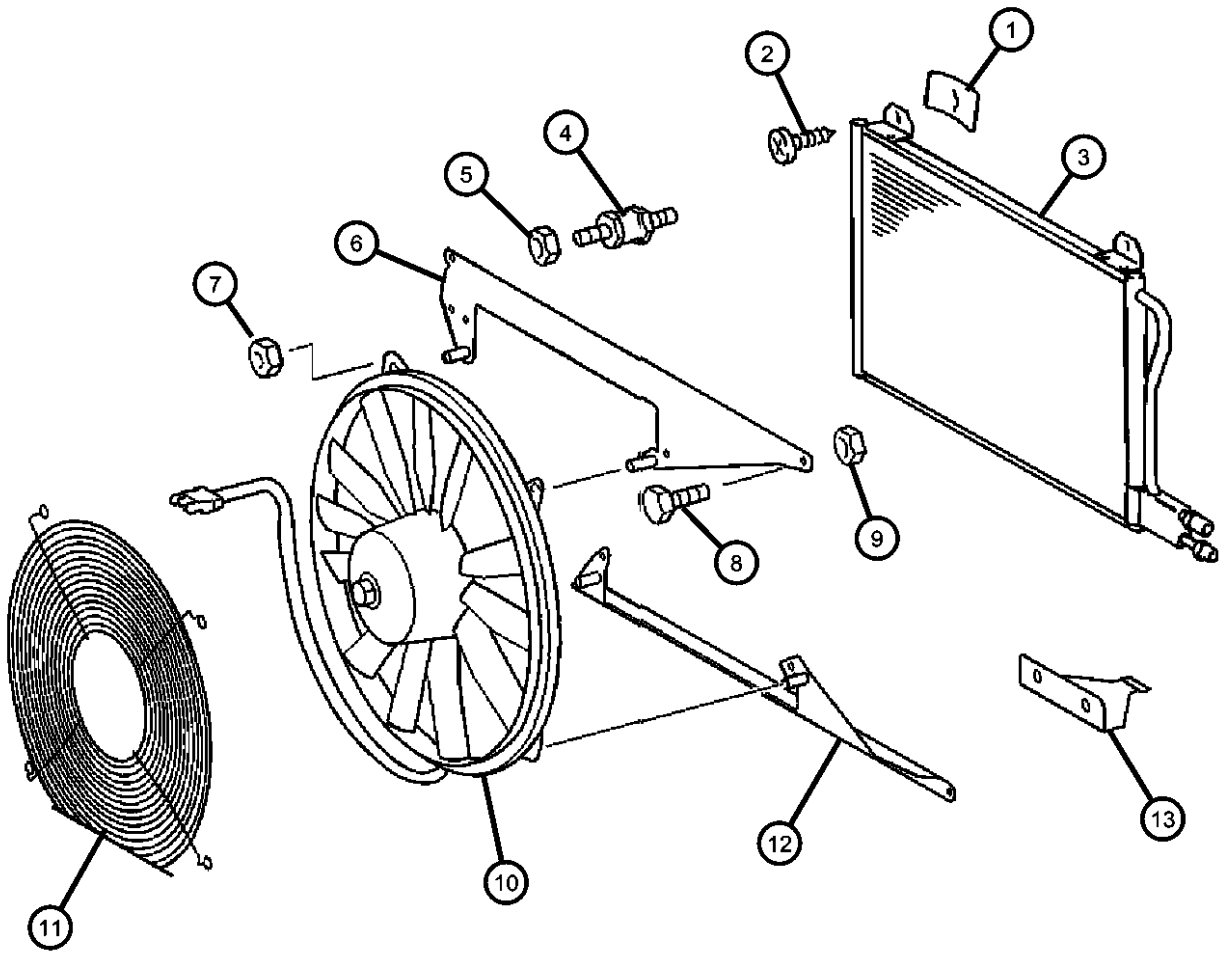
ITEM	PART NUMBER	QTY	LINE	SERIES	BODY	ENGINE	TRANS	TRIM	DESCRIPTION
		2	2, 6		51, 52, 54, 55, 56	EX8			
		2	3, 7		02, 06	EX8			
		2	3, 7		12, 15, 16	EX8			
9									NUT
	06104715AA	4	2, 6		01, 02, 06	EX8			
		4	2, 6		11, 12, 14, 15, 16	EX8			
		4	2, 6		51, 52, 54, 55, 56	EX8			
		4	3, 7		02, 06	EX8			
		4	3, 7		12, 15, 16	EX8			
10									FAN, Condenser
	05103653AA	1	2, 6		01, 02, 06	EX8			
		1	2, 6		11, 12, 14, 15, 16	EX8			
		1	2, 6		51, 52, 54, 55, 56	EX8			
		1	3, 7		02, 06	EX8			
		1	3, 7		12, 15, 16	EX8			
11									GRILLE, Air Inlet
	05104121AA	1	2, 6		01, 02, 06	EX8			
		1	2, 6		11, 12, 14, 15, 16	EX8			
		1	2, 6		51, 52, 54, 55, 56	EX8			
		1	3, 7		02, 06	EX8			
		1	3, 7		12, 15, 16	EX8			
12									BRACKET, Fan
	05104113AA	1	2, 6		01, 02, 06	EX8			
		1	2, 6		11, 12, 14, 15, 16	EX8			

SPRINTER (VA)				
SERIES	LINE	BODY	ENGINE	TRANSMISSION
L = LOWLINE	3 = HD DODGE 2WD 8 = HD DODGE 4WD 6 = Lt. Duty DODGE 4WD 2 = Med. Duty DODGE 2WD 7 = Med. Duty DODGE 4WD 4 = TRUCK	12 = Van 140" 51 = Wagon 118" 52 = Wagon 140" 14 = Van 118" 15 = Van 140" 16 = Van 158" 54 = Wagon 118" 55 = Wagon 140" 56 = Wagon 158" 01 = Chassis Forward Control 118" 02 = Chassis Forward Control 140" 06 = Front Section 158" 11 = Van 118"	EX8 = Engine - 2.7L I5 Mercedes-Benz TD	DGJ = Transmission - 5-Spd Auto, MB

AR = use ase required - = Non illustrated part

**Condenser, Fan Front
Figure 24-280**

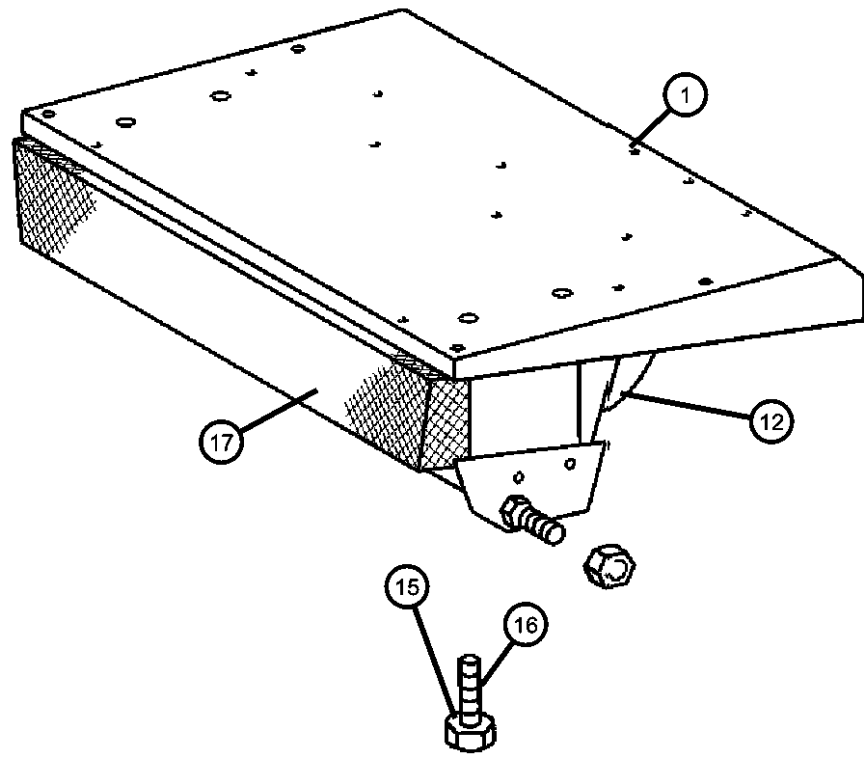
ITEM	PART NUMBER	QTY	LINE	SERIES	BODY	ENGINE	TRANS	TRIM	DESCRIPTION
		1	2, 6		51, 52, 54, 55, 56	EX8			
		1	3, 7		02, 06	EX8			
		1	3, 7		12, 15, 16	EX8			
13									BRACKET
	05120001AA	1	2, 6		01, 02, 06	EX8			
		1	2, 6		11, 12, 14, 15, 16	EX8			
		1	2, 6		51, 52, 54, 55, 56	EX8			
		1	3, 7		02, 06	EX8			
		1	3, 7		12, 15, 16	EX8			



SPRINTER (VA)				
SERIES	LINE	BODY	ENGINE	TRANSMISSION
L = LOWLINE	3 = HD DODGE 2WD 8 = HD DODGE 4WD 6 = Lt. Duty DODGE 4WD 2 = Med. Duty DODGE 2WD 7 = Med. Duty DODGE 4WD 4 = TRUCK	12 = Van 140" 51 = Wagon 118" 52 = Wagon 140" 14 = Van 118" 15 = Van 140" 16 = Van 158" 54 = Wagon 118" 55 = Wagon 140" 56 = Wagon 158" 01 = Chassis Forward Control 118" 02 = Chassis Forward Control 140" 06 = Front Section 158" 11 = Van 118"	EX8 = Engine - 2.7L I5 Mercedes-Benz TD	DGJ = Transmission - 5-Spd Auto, MB

AR = use ase required - = Non illustrated part

**Condenser, Fan Roof
Figure 24-285**



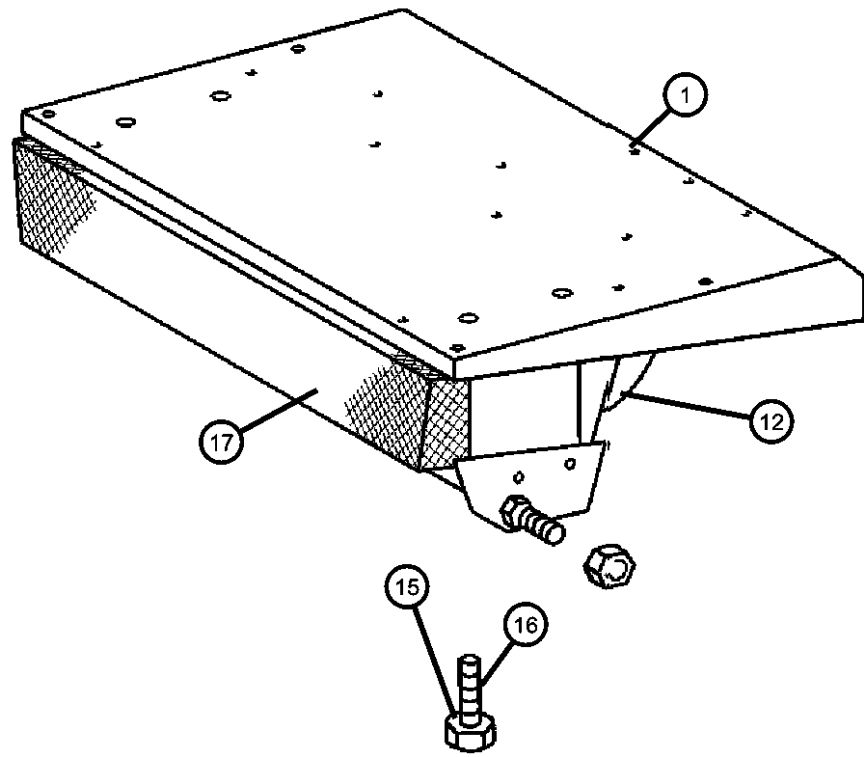
ITEM	PART NUMBER	QTY	LINE	SERIES	BODY	ENGINE	TRANS	TRIM	DESCRIPTION
1									EVAPORATOR UNIT, EVAPORATOR UNIT
	05132322AA	1	2, 6		11, 12, 14, 15, 16	EX8			Includes item #2
		1	2, 6		51, 52, 54, 55, 56	EX8			Includes item #2
		1	3, 7		12, 15, 16	EX8			Includes item #2
-2	05133459AA	1	2, 6		51, 52, 54, 55, 56	EX8			EVAPORATOR, Air Conditioning
-3									TUBE, Auxiliary A/C and Heater
	05132374AA	2	2, 6		11, 12, 14, 15, 16	EX8			
		2	6, 2		51, 52, 54, 55, 56	EX8			
		2	3, 7		12, 15, 16	EX8			
-4									LINE, Auxiliary A/C Liquid
	05132223AA	1	2, 6		16	EX8			
		1	2, 6		56	EX8			
-5									LINE, Auxiliary A/C Liquid
	05132225AA	1	2, 6		12	EX8			
		1	2, 6		52	EX8			
-6									LINE, Auxiliary A/C Liquid
	05132237AA	1	2, 6		11, 12, 14, 15, 16	EX8			
		1	2, 6		51, 52, 54, 55, 56	EX8			
-7									LINE, Auxiliary A/C Suction
	05132230AA	1	2, 6		16	EX8			
		1	2, 6		56	EX8			
-8									LINE, Auxiliary A/C Suction
	05127838AA	1	2, 6		11, 12, 14, 15, 16	EX8			
		1	2, 6		51, 52, 54, 55, 56	EX8			

SPRINTER (VA)

SERIES	LINE	BODY	ENGINE	TRANSMISSION
L = LOWLINE	3 = HD DODGE 2WD 8 = HD DODGE 4WD 6 = Lt. Duty DODGE 4WD 2 = Med. Duty DODGE 2WD 7 = Med. Duty DODGE 4WD 4 = TRUCK	12 = Van 140" 51 = Wagon 118" 52 = Wagon 140" 14 = Van 118" 15 = Van 140" 16 = Van 158" 54 = Wagon 118" 55 = Wagon 140" 56 = Wagon 158" 01 = Chassis Forward Control 118" 02 = Chassis Forward Control 140" 06 = Front Section 158" 11 = Van 118"	EX8 = Engine - 2.7L I5 Mercedes-Benz TD	DGJ = Transmission - 5-Spd Auto, MB

AR = use ase required - = Non illustrated part

**Condenser, Fan Roof
Figure 24-285**



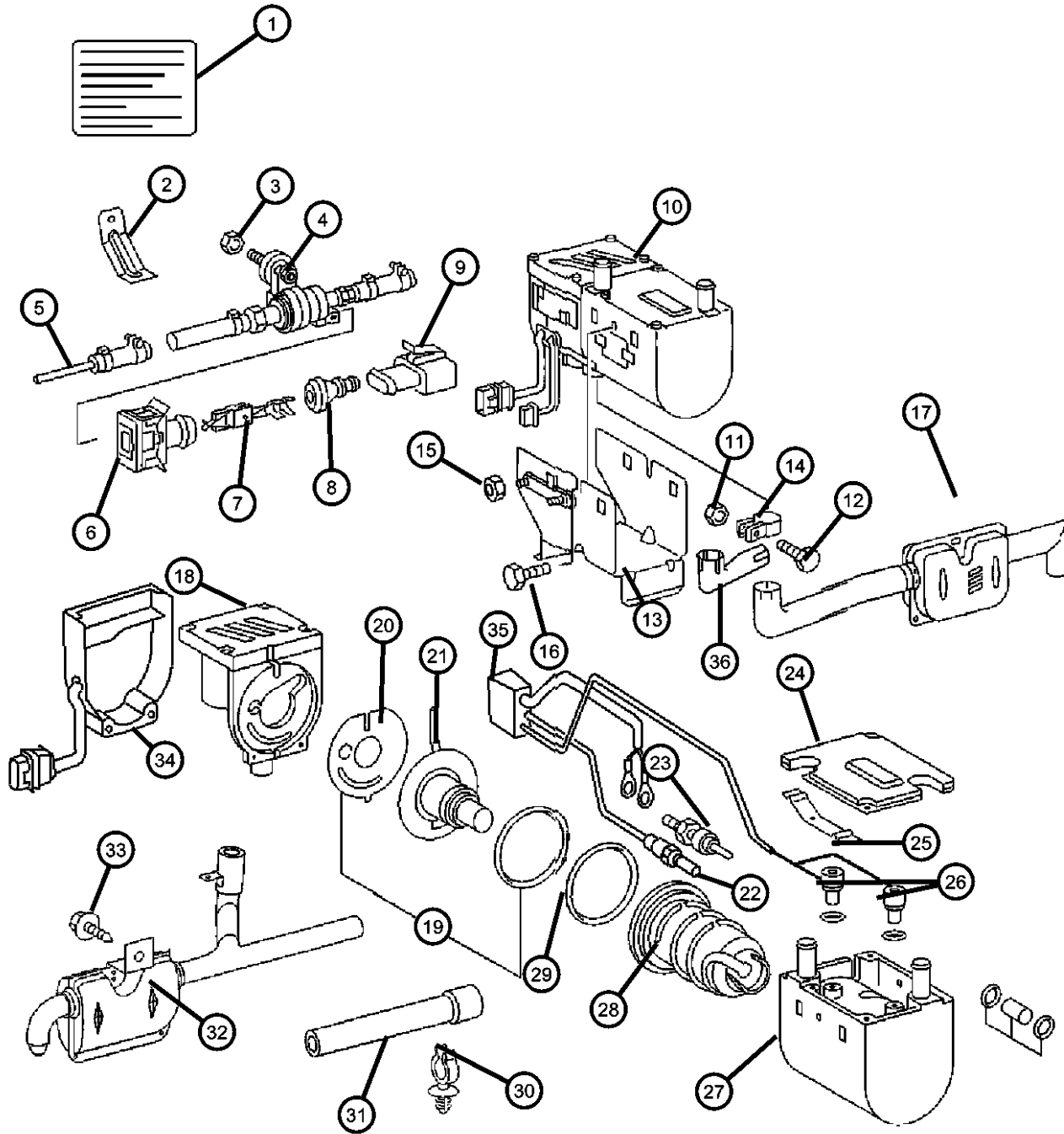
ITEM	PART NUMBER	QTY	LINE	SERIES	BODY	ENGINE	TRANS	TRIM	DESCRIPTION
-9	05133464AA	1	2, 6		51, 52, 54, 55, 56	EX8			VALVE
-10	05103546AA	1	2, 6		14, 15, 16	EX8			FILTER, A/C and Heater Unit
		1	2, 6		51, 52, 54, 55, 56	EX8			
-11	05133452AA	1	2, 6		51, 52, 54, 55, 56	EX8			GRILLE, A/C And Heater
12	05133460AA	1	2, 6		51, 52, 54, 55, 56	EX8			MOTOR, Blower
-13	05133456AA	8	2, 6		14, 15, 16	EX8			RING
		6	2, 6		51, 52, 54, 55, 56	EX8			
-14	05133465AA	1	2, 6		51, 52, 54, 55, 56	EX8			MAGNET
15	05133455AA	6	2, 6		51, 52, 54, 55, 56	EX8			WASHER
		8	2, 6		14, 15, 16	EX8			
16		8							SCREW, (NOT SERVICED)
17	05132357AA	1	2, 6		11, 12, 14, 15, 16	EX8			CONDENSER, A/C
		1	2, 6		51, 52, 54, 55, 56	EX8			
		1	3, 7		12, 15, 16	EX8			

SPRINTER (VA)

SERIES	LINE	BODY	ENGINE	TRANSMISSION
L = LOWLINE	3 = HD DODGE 2WD 8 = HD DODGE 4WD 6 = Lt. Duty DODGE 4WD 2 = Med. Duty DODGE 2WD 7 = Med. Duty DODGE 4WD 4 = TRUCK	12 = Van 140" 51 = Wagon 118" 52 = Wagon 140" 14 = Van 118" 15 = Van 140" 16 = Van 158" 54 = Wagon 118" 55 = Wagon 140" 56 = Wagon 158" 01 = Chassis Forward Control 118" 02 = Chassis Forward Control 140" 06 = Front Section 158" 11 = Van 118"	EX8 = Engine - 2.7L I5 Mercedes-Benz TD	DGJ = Transmission - 5-Spd Auto, MB

AR = use ase required - = Non illustrated part

**Auxiliary Warm Water Heater
Figure 24-290**

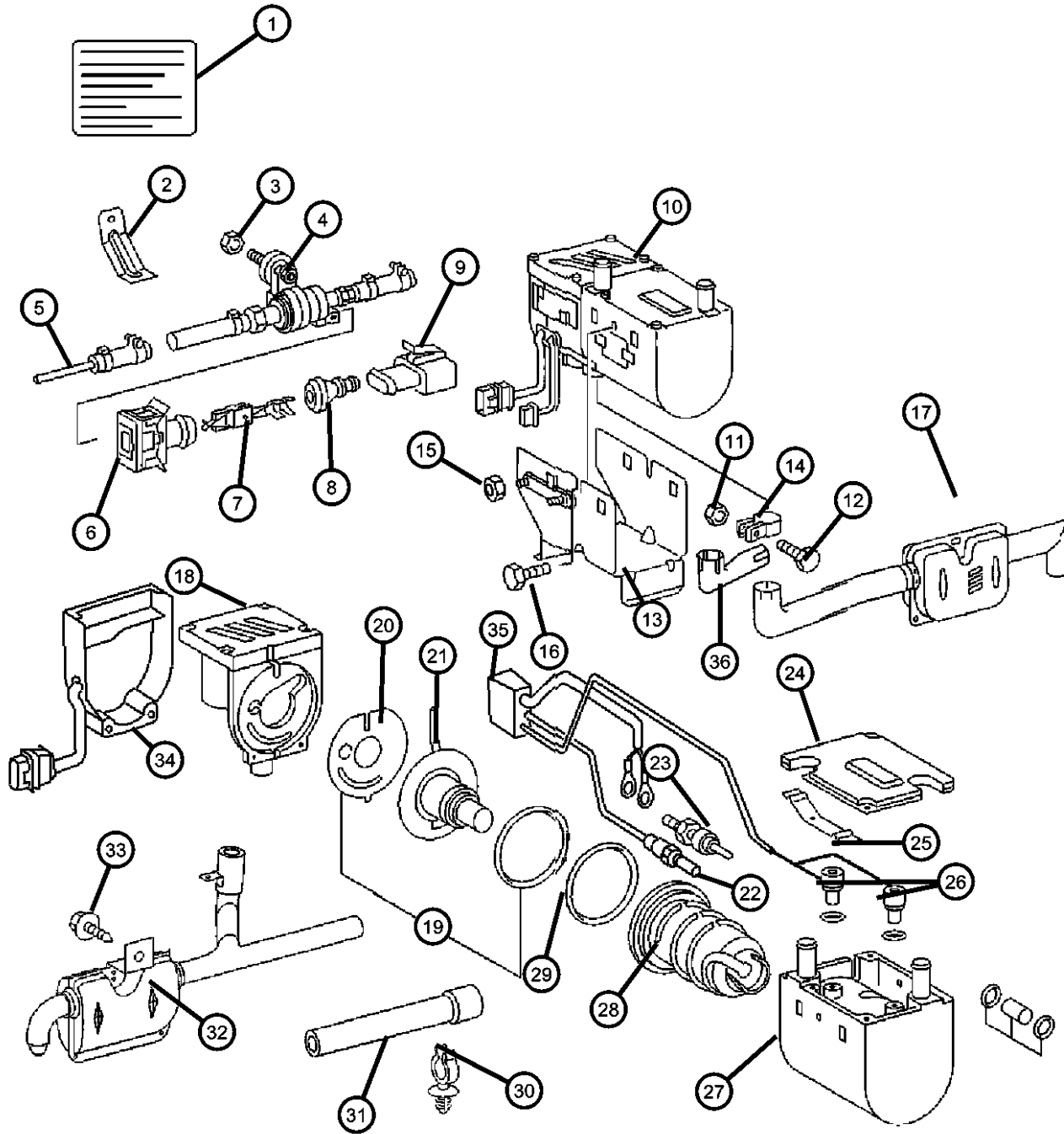


ITEM	PART NUMBER	QTY	LINE	SERIES	BODY	ENGINE	TRANS	TRIM	DESCRIPTION
1	05104152AA	1	2, 6		01, 02, 06	EX8			LABEL, Fuel
		1	2, 6		11, 12, 14, 15, 16	EX8			
		1	2, 6		51, 52, 54, 55, 56	EX8			
		1	3, 7		02, 06	EX8			
		1	3, 7		12, 15, 16	EX8			
2	05119706AA	1	2, 6		01, 02, 06	EX8			BRACKET
		1	2, 6		11, 12, 14, 15, 16	EX8			
		1	2, 6		54, 55, 56, 51, 52	EX8			
		1	3, 7		02, 06	EX8			
		1	3, 7		12, 15, 16	EX8			
3	05096978AA	2	2, 6		01, 02, 06	EX8			NUT, Hex, M6
		2	2, 6		11, 12, 14, 15, 16	EX8			
		2	2, 6		51, 52, 54, 55, 56	EX8			
		2	3, 7		02, 06	EX8			
		2	3, 7		12, 15, 16	EX8			
4	05124900AA	1	2, 6		01, 02, 06	EX8			PUMP, Water
		1	2, 6		11, 12, 14, 15, 16	EX8			
		1	2, 6		51, 52, 54, 55, 56	EX8			
		1	3, 7		02, 06	EX8			
		1	3, 7		12, 15, 16	EX8			
5									LINE, Heater

SPRINTER (VA)					
SERIES	LINE	BODY	ENGINE	TRANSMISSION	
L = LOWLINE	3 = HD DODGE 2WD 8 = HD DODGE 4WD 6 = Lt. Duty DODGE 4WD 2 = Med. Duty DODGE 2WD 7 = Med. Duty DODGE 4WD 4 = TRUCK	12 = Van 140" 51 = Wagon 118" 52 = Wagon 140" 14 = Van 118" 15 = Van 140" 16 = Van 158" 54 = Wagon 118" 55 = Wagon 140" 56 = Wagon 158"	EX8 = Engine - 2.7L I5 Mercedes-Benz TD	DGJ = Transmission - 5-Spd Auto, MB	
		01 = Chassis Forward Control 118" 02 = Chassis Forward Control 140" 06 = Front Section 158" 11 = Van 118"			

AR = use ase required - = Non illustrated part

**Auxiliary Warm Water Heater
Figure 24-290**

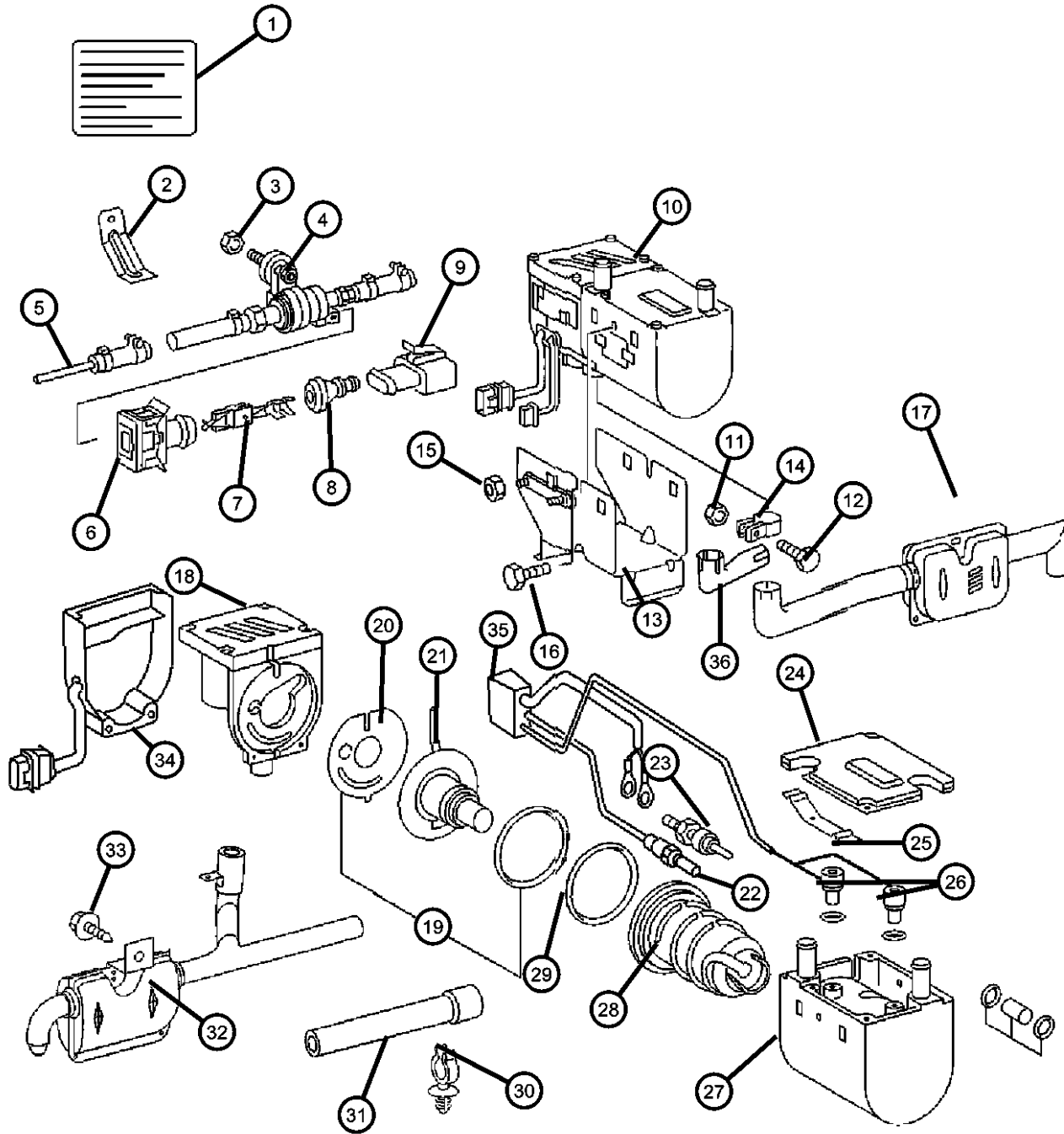


ITEM	PART NUMBER	QTY	LINE	SERIES	BODY	ENGINE	TRANS	TRIM	DESCRIPTION
	05124631AA	1	2, 6		01, 02, 06	EX8			
		1	2, 6		11, 12, 14, 15, 16	EX8			
		1	2, 6		56, 51, 52, 54, 55	EX8			
		1	3, 7		02, 06	EX8			
		1	3, 7		12, 15, 16	EX8			
6	05120679AA	1	2, 6		51, 52, 54, 55, 56	EX8			CONNECTOR
		1	3, 7		02, 06	EX8			
		1	3, 7		12, 15, 16	EX8			
		1	2, 6		01, 02, 06	EX8			
		1	2, 6		11, 12, 14, 15, 16	EX8			
7	05103880AA	99	3, 7		12, 15, 16	EX8			TERMINAL
		99	6, 2		01, 02, 06	EX8			
		99	2, 6		11, 12, 14, 15, 16	EX8			
		99	2, 6		51, 52, 54, 55, 56	EX8			
		99	3, 7		02, 06	EX8			
8	05120881AA	1	2, 6		01, 02, 06	EX8			BOOT
		1	2, 6		11, 12, 14, 15, 16	EX8			
		1	2, 6		51, 52, 54, 55, 56	EX8			
		1	3, 7		06, 02	EX8			
		1	3, 7		12, 15, 16	EX8			
9									CONNECTOR

SPRINTER (VA)
 SERIES LINE BODY ENGINE TRANSMISSION
 L = LOWLINE 3 = HD DODGE 2WD 12 = Van 140" EX8 = Engine - 2.7L I5 DGJ = Transmission - 5-Spd Auto, MB
 8 = HD DODGE 4WD 51 = Wagon 118" Mercedes-Benz TD
 6 = Lt. Duty DODGE 4WD 52 = Wagon 140"
 2 = Med. Duty DODGE 2WD 14 = Van 118"
 7 = Med. Duty DODGE 4WD 15 = Van 140"
 4 = TRUCK 16 = Van 158"
 54 = Wagon 118"
 55 = Wagon 140"
 56 = Wagon 158"
 01 = Chassis Forward Control
 118"
 02 = Chassis Forward Control
 140"
 06 = Front Section 158"
 11 = Van 118"

AR = use ase required - = Non illustrated part

**Auxiliary Warm Water Heater
Figure 24-290**

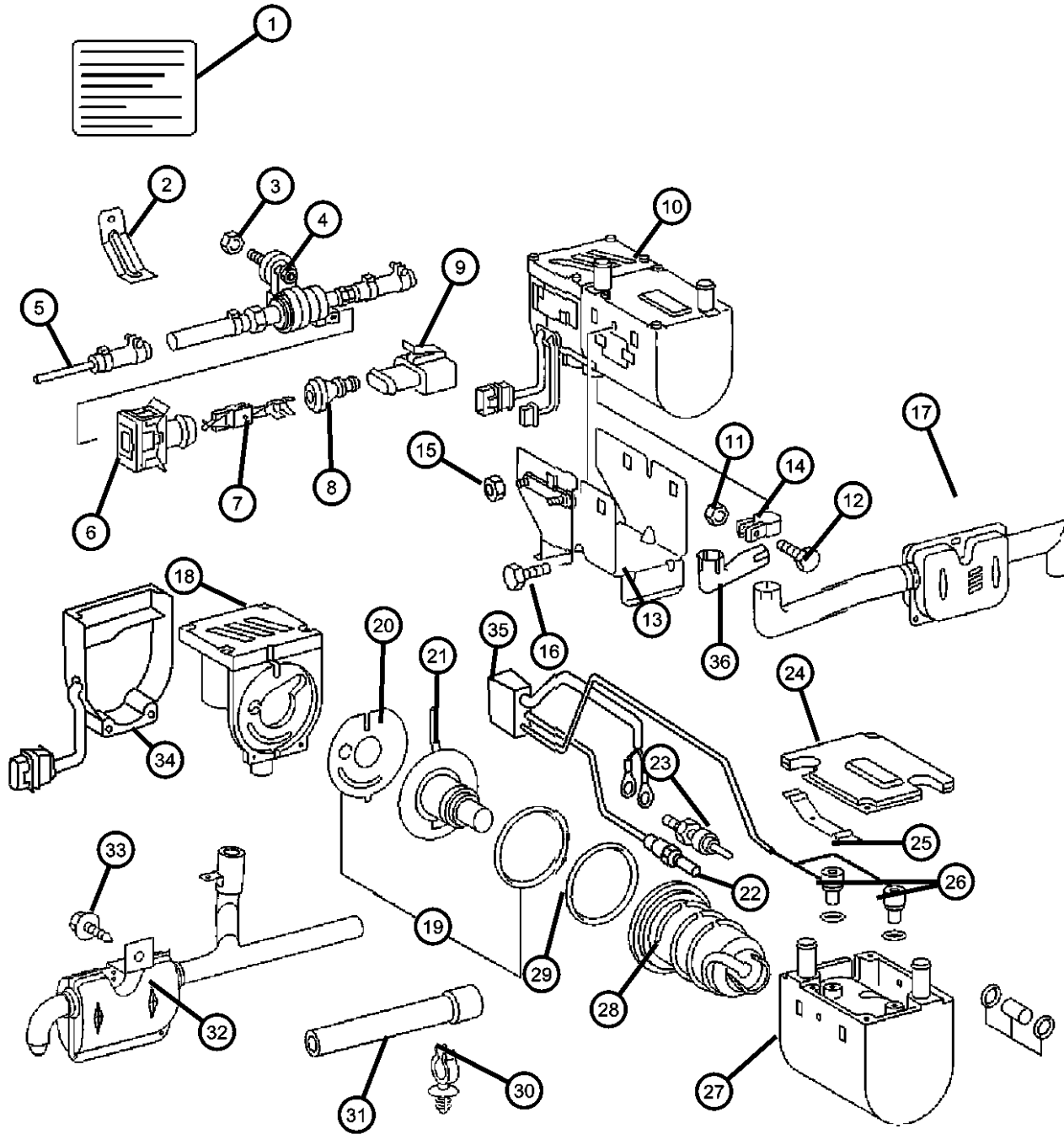


ITEM	PART NUMBER	QTY	LINE	SERIES	BODY	ENGINE	TRANS	TRIM	DESCRIPTION
	05133296AA	1	2, 6		51, 52, 54, 55, 56	EX8			
		1	3, 7		02, 06	EX8			
		1	2, 6		01, 02, 06	EX8			
		1	2, 6		11, 12, 14, 15, 16	EX8			
		1	3, 7		12, 15, 16	EX8			
10	05135680AA	1	3, 7		02, 06	EX8			HEATER, Supplemental Diesel Fuel
		1	3, 7		12, 15, 16	EX8			[3JV]
	05124687AA	1	2, 6		01, 02, 06	EX8			[3JV]
		1	2, 6		11, 12, 14, 15, 16	EX8			
		1	2, 6		51, 52, 54, 55, 56	EX8			
		1	3, 7		02, 06	EX8			
		1	3, 7		12, 15, 16	EX8			
		1	2, 6		01, 02, 06	EX8			[3JV]
		1	2, 6		11, 12, 14, 15, 16	EX8			[3JV]
		1	2, 6		51, 52, 54, 55, 56	EX8			[3JV]
11	05133317AA	1	2, 6		01, 02, 06	EX8			NUT
		1	2, 6		11, 12, 14, 15, 16	EX8			
		1	2, 6		51, 52, 54, 55, 56	EX8			
		1	3, 7		02, 06	EX8			
		1	3, 7		12, 15, 16	EX8			
12									BOLT

SPRINTER (VA)
 SERIES LINE BODY ENGINE TRANSMISSION
 L = LOWLINE 3 = HD DODGE 2WD 12 = Van 140" EX8 = Engine - 2.7L I5 DGJ = Transmission - 5-Spd Auto, MB
 8 = HD DODGE 4WD 51 = Wagon 118" Mercedes-Benz TD
 6 = Lt. Duty DODGE 4WD 52 = Wagon 140"
 2 = Med. Duty DODGE 2WD 14 = Van 118"
 7 = Med. Duty DODGE 4WD 15 = Van 140"
 4 = TRUCK 16 = Van 158"
 54 = Wagon 118"
 55 = Wagon 140"
 56 = Wagon 158"
 01 = Chassis Forward Control
 118"
 02 = Chassis Forward Control
 140"
 06 = Front Section 158"
 11 = Van 118"

AR = use ase required - = Non illustrated part

**Auxiliary Warm Water Heater
Figure 24-290**

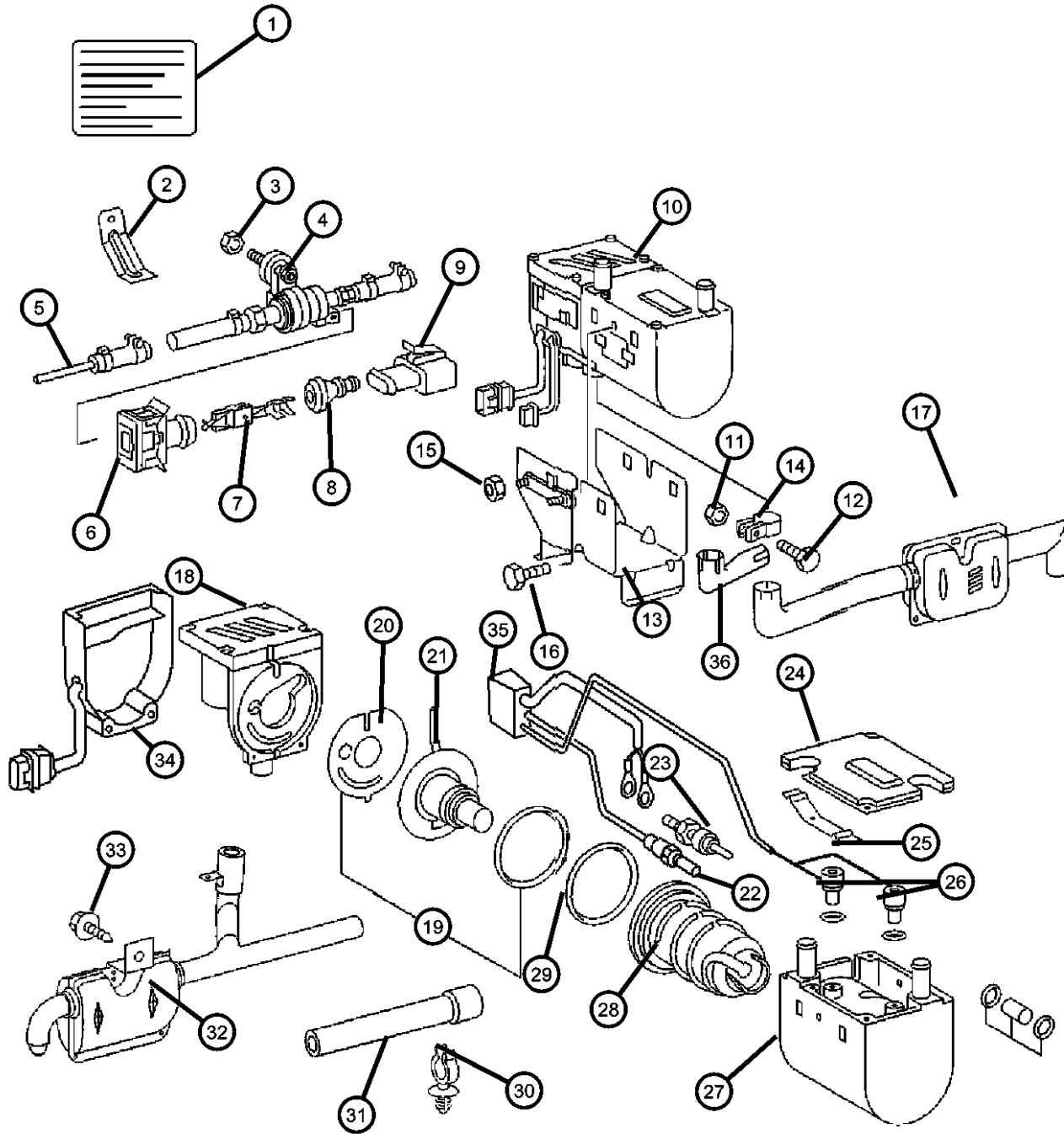


ITEM	PART NUMBER	QTY	LINE	SERIES	BODY	ENGINE	TRANS	TRIM	DESCRIPTION
	05133316AA	1	2, 6		11, 12, 14, 15, 16	EX8			
		1	2, 6		01, 02, 06	EX8			
		1	2, 6		51, 52, 54, 55, 56	EX8			
		1	3, 7		02, 06	EX8			
		1	3, 7		12, 15, 16	EX8			
13	05124626AA	1	2, 6		01, 02, 06	EX8			BRACKET, Heater Core
		1	2, 6		11, 12, 14, 15, 16	EX8			
		1	2, 6		51, 52, 54, 55, 56	EX8			
		1	3, 7		02, 06	EX8			
		1	3, 7		12, 15, 16	EX8			
14	05103627AA	1	2, 6		01, 02, 06	EX8			CLAMP, Exhaust
		1	2, 6		11, 12, 14, 15, 16	EX8			
		1	2, 6		51, 52, 54, 55, 56	EX8			
		1	3, 7		02, 06	EX8			
		1	7, 3		12, 15, 16	EX8			
15	05097674AA	1	2, 6		01, 02, 06	EX8			NUT, Hex
		1	2, 6		11, 12, 14, 15, 16	EX8			
		1	2, 6		51, 52, 54, 55, 56	EX8			
		1	3, 7		02, 06	EX8			
		1	3, 7		12, 15, 16	EX8			
16									SCREW

SPRINTER (VA)
 SERIES LINE BODY ENGINE TRANSMISSION
 L = LOWLINE 3 = HD DODGE 2WD 12 = Van 140" EX8 = Engine - 2.7L I5 DGJ = Transmission - 5-Spd Auto, MB
 8 = HD DODGE 4WD 51 = Wagon 118" Mercedes-Benz TD
 6 = Lt. Duty DODGE 4WD 52 = Wagon 140"
 2 = Med. Duty DODGE 2WD 14 = Van 118"
 7 = Med. Duty DODGE 4WD 15 = Van 140"
 4 = TRUCK 16 = Van 158"
 54 = Wagon 118"
 55 = Wagon 140"
 56 = Wagon 158"
 01 = Chassis Forward Control
 118"
 02 = Chassis Forward Control
 140"
 06 = Front Section 158"
 11 = Van 118"

AR = use ase required - = Non illustrated part

**Auxiliary Warm Water Heater
Figure 24-290**

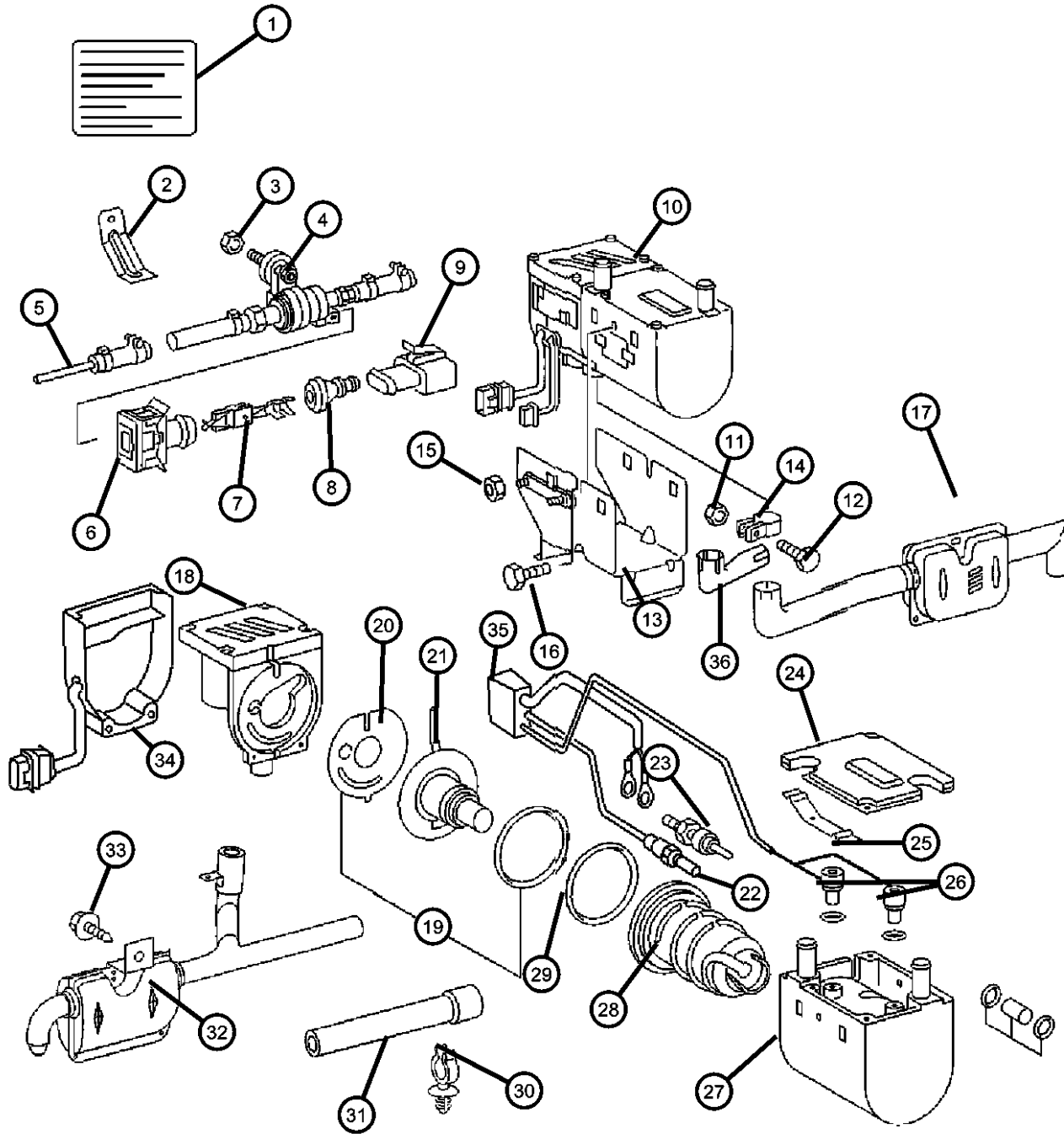


ITEM	PART NUMBER	QTY	LINE	SERIES	BODY	ENGINE	TRANS	TRIM	DESCRIPTION
	06104003AA	2	2, 6		01, 02, 06	EX8			
		2	2, 6		51, 52, 54, 55, 56	EX8			
		2	3, 7		02, 06	EX8			
		2	3, 7		12, 15, 16	EX8			
		2	2, 6		11, 12, 14, 15, 16	EX8			
17	05143178AA	1	2, 6		01, 02, 06	EX8			MUFFLER, Exhaust
		1	2, 6		11, 12, 14, 15, 16	EX8			
		1	2, 6		51, 52, 54, 55, 56	EX8			
		1	3, 7		02, 06	EX8			
		1	3, 7		12, 15, 16	EX8			
18	05133435AA	1	2, 6		51, 52, 54, 55, 56	EX8			BLOWER
		1	3, 7		02, 06	EX8			
		1	3, 7		12, 15, 16	EX8			
		1	2, 6		01, 02, 06	EX8			
		1	2, 6		11, 12, 14, 15, 16	EX8			
19	05133307AB	1	2, 6		02, 06, 01	EX8			SEAL
		1	2, 6		11, 12, 14, 15, 16	EX8			
		1	2, 6		51, 52, 54, 55, 56	EX8			
		1	3, 7		02, 06	EX8			
		1	3, 7		12, 15, 16	EX8			
20									PIPE, Heater Core

SPRINTER (VA)
SERIES **LINE** **BODY** **ENGINE** **TRANSMISSION**
 L = LOWLINE 3 = HD DODGE 2WD 12 = Van 140" EX8 = Engine - 2.7L I5 DGJ = Transmission - 5-Spd Auto, MB
 8 = HD DODGE 4WD 51 = Wagon 118" Mercedes-Benz TD
 6 = Lt. Duty DODGE 4WD 52 = Wagon 140"
 2 = Med. Duty DODGE 2WD 14 = Van 118"
 7 = Med. Duty DODGE 4WD 15 = Van 140"
 4 = TRUCK 16 = Van 158"
 54 = Wagon 118"
 55 = Wagon 140"
 56 = Wagon 158"
 01 = Chassis Forward Control
 118"
 02 = Chassis Forward Control
 140"
 06 = Front Section 158"
 11 = Van 118"

AR = use ase required - = Non illustrated part

**Auxiliary Warm Water Heater
Figure 24-290**

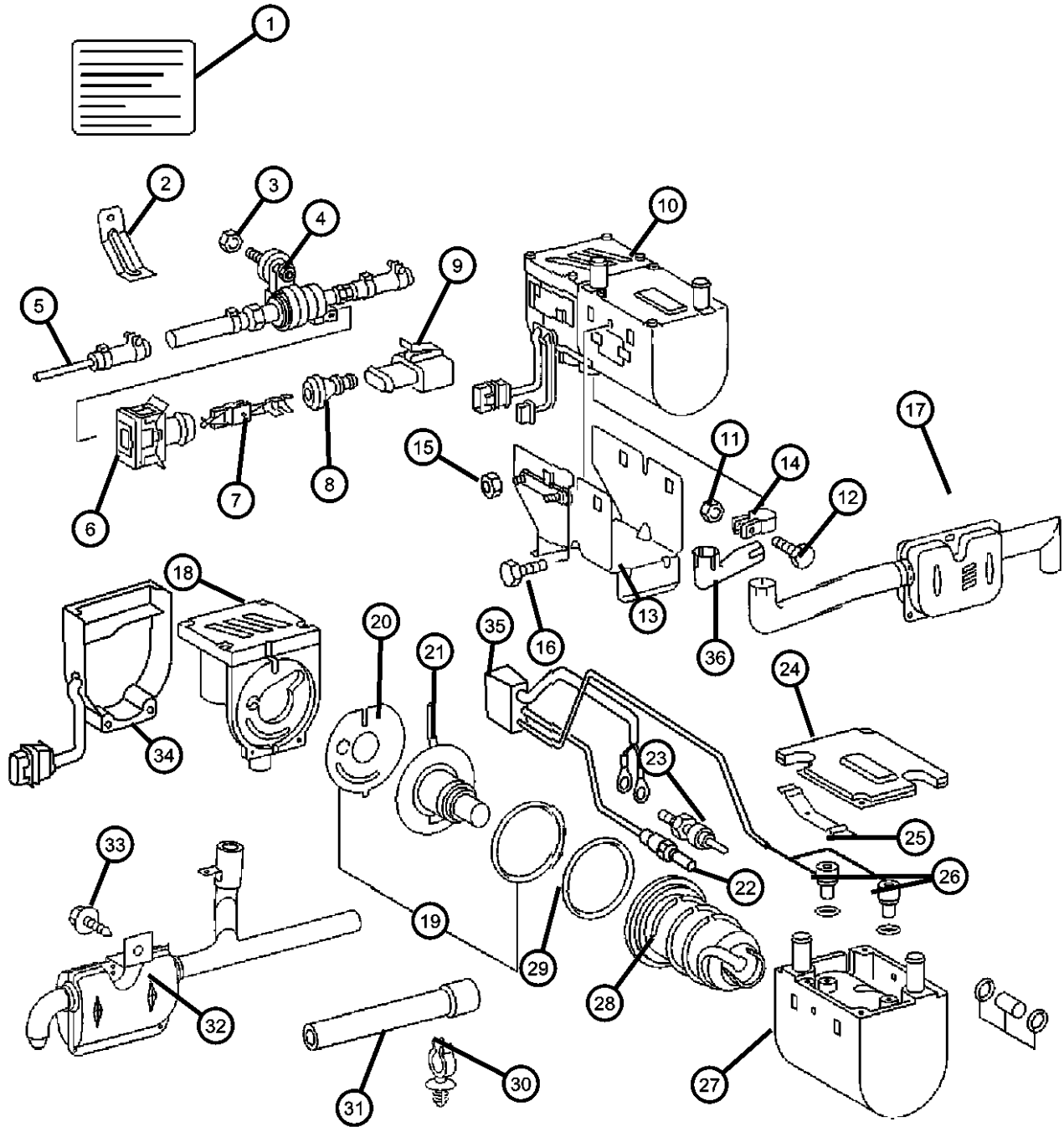


ITEM	PART NUMBER	QTY	LINE	SERIES	BODY	ENGINE	TRANS	TRIM	DESCRIPTION
	05133301AA	1	2, 6		01, 02, 06				
		1	2, 6		11, 12, 14, 15, 16				
		1	3, 7		02, 06				
		1	3, 7		12, 15, 16				
		1	2, 6		51, 52, 54, 55, 56				
21	05133312AA	1	2, 6		01, 02, 06	EX8			SENSOR, Temperature
		1	2, 6		11, 12, 14, 15, 16	EX8			
		1	2, 6		51, 52, 54, 55, 56	EX8			
		1	3, 7		12, 15, 16	EX8			
		1	3, 7		02, 06	EX8			
22	05103691AA	1	2, 6		01, 02, 06	EX8			SENSOR, Temperature
		1	2, 6		11, 12, 14, 15, 16	EX8			
		1	2, 6		51, 52, 54, 55, 56	EX8			
		1	3, 7		02, 06	EX8			
		1	3, 7		12, 15, 16	EX8			
23	05133310AA	1	2, 6		01, 02, 06				PLUG, Water Heater
		1	2, 6		11, 12, 14, 15, 16				
		1	2, 6		51, 52, 54, 55, 56				
		1	3, 7		02, 06				
		1	3, 7		12, 15, 16				
24									COVER, Heater Housing

SPRINTER (VA)
 SERIES LINE BODY ENGINE TRANSMISSION
 L = LOWLINE 3 = HD DODGE 2WD 12 = Van 140" EX8 = Engine - 2.7L I5 DGJ = Transmission - 5-Spd Auto, MB
 8 = HD DODGE 4WD 51 = Wagon 118" Mercedes-Benz TD
 6 = Lt. Duty DODGE 4WD 52 = Wagon 140"
 2 = Med. Duty DODGE 2WD 14 = Van 118"
 7 = Med. Duty DODGE 4WD 15 = Van 140"
 4 = TRUCK 16 = Van 158"
 54 = Wagon 118"
 55 = Wagon 140"
 56 = Wagon 158"
 01 = Chassis Forward Control
 118"
 02 = Chassis Forward Control
 140"
 06 = Front Section 158"
 11 = Van 118"

AR = use ase required - = Non illustrated part

**Auxiliary Warm Water Heater
Figure 24-290**



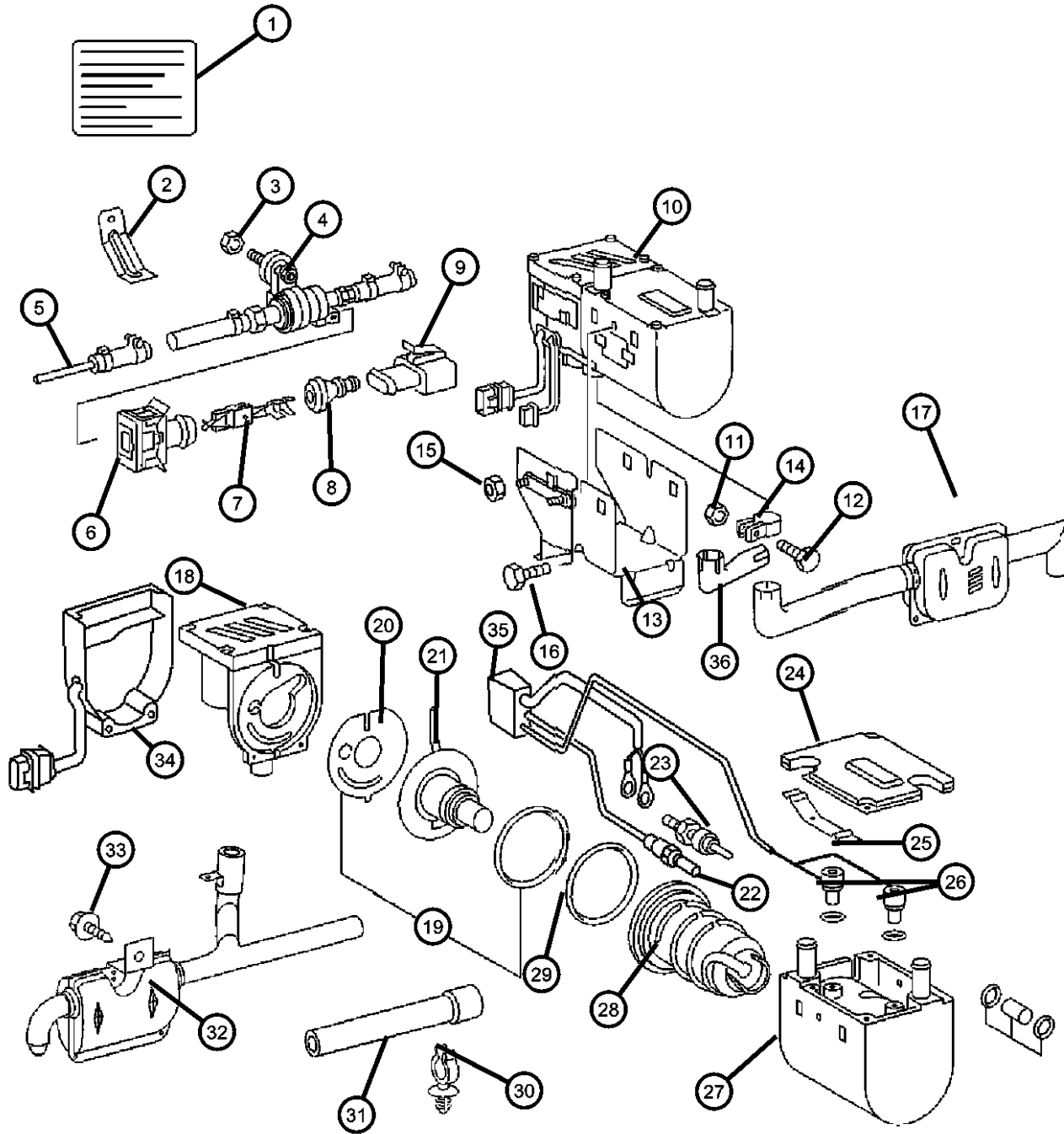
ITEM	PART NUMBER	QTY	LINE	SERIES	BODY	ENGINE	TRANS	TRIM	DESCRIPTION
	05133306AA	1	6, 2		11, 12, 14, 15, 16	EX8			
		1	2, 6		54, 55, 56, 51, 52	EX8			
		1	3, 7		02, 06	EX8			
		1	3, 7		12, 15, 16	EX8			
		1	2, 6		01, 02, 06	EX8			
25									CLIP, Spring
	05133313AA	1	2, 6		01, 02, 06	EX8			
		1	2, 6		11, 12, 14, 15, 16	EX8			
		1	2, 6		51, 52, 54, 55, 56	EX8			
		1	3, 7		02, 06	EX8			
		1	3, 7		16, 12, 15	EX8			
26									O RING, Heater Core
	05133314AA	1	2, 6		01, 02, 06				
		1	2, 6		51, 52, 54, 55, 56				
		1	3, 7		02, 06				
		1	3, 7		12, 15, 16				
		1	2, 6		11, 12, 14, 15, 16				
27									HOUSING, Heater
	05133298AA	1	2, 6		01, 02, 06	EX8			
		1	2, 6		11, 12, 14, 15, 16	EX8			
		1	2, 6		51, 52, 54, 55, 56	EX8			
		1	3, 7		02, 06	EX8			
		1	3, 7		12, 15, 16	EX8			
28									CORE, Water Heater

SPRINTER (VA)

SERIES	LINE	BODY	ENGINE	TRANSMISSION
L = LOWLINE	3 = HD DODGE 2WD 8 = HD DODGE 4WD 6 = Lt. Duty DODGE 4WD 2 = Med. Duty DODGE 2WD 7 = Med. Duty DODGE 4WD 4 = TRUCK	12 = Van 140" 51 = Wagon 118" 52 = Wagon 140" 14 = Van 118" 15 = Van 140" 16 = Van 158" 54 = Wagon 118" 55 = Wagon 140" 56 = Wagon 158" 01 = Chassis Forward Control 118" 02 = Chassis Forward Control 140" 06 = Front Section 158" 11 = Van 118"	EX8 = Engine - 2.7L I5 Mercedes-Benz TD	DGJ = Transmission - 5-Spd Auto, MB

AR = use ase required - = Non illustrated part

**Auxiliary Warm Water Heater
Figure 24-290**

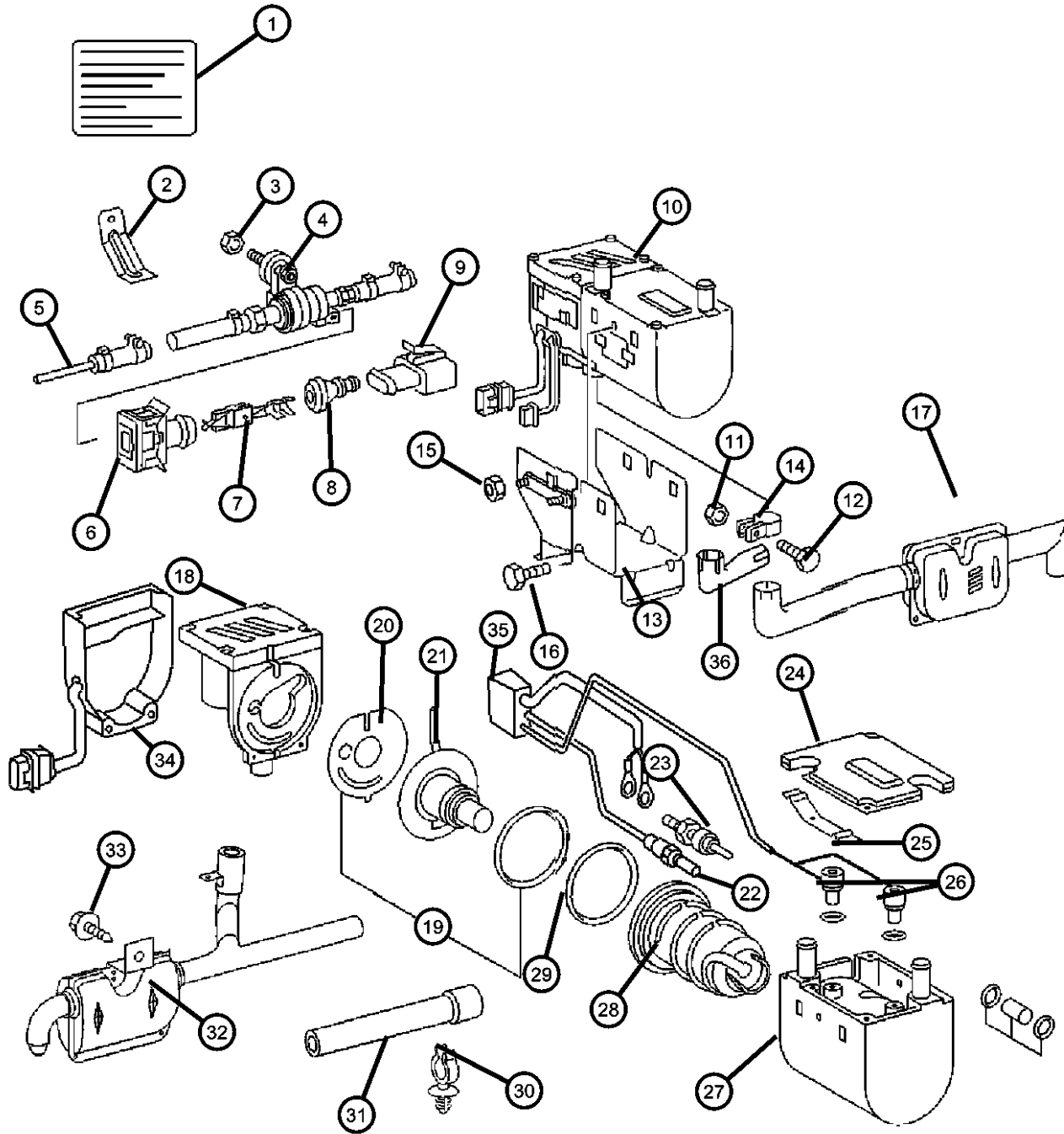


ITEM	PART NUMBER	QTY	LINE	SERIES	BODY	ENGINE	TRANS	TRIM	DESCRIPTION
	05133303AA	1	2, 6		12, 14, 15, 16, 11				
		1	2, 6		51, 52, 54, 55, 56				
		1	3, 7		02, 06				
		1	3, 7		12, 15, 16				
		1	2, 6		01, 02, 06				
29	05133309AA	1	2, 6		01, 02, 06				O RING, Heater Core
		1	2, 6		11, 12, 14, 15, 16				
		1	2, 6		51, 52, 54, 55, 56				
		1	3, 7		02, 06				
		1	3, 7		12, 15, 16				
30	05119332AA	3	2, 6		01, 02, 06	EX8			CLIP, Hose
		3	2, 6		11, 12, 14, 15, 16	EX8			
		3	2, 6		51, 52, 54, 55, 56	EX8			
		3	3, 7		02, 06	EX8			
		3	3, 7		12, 15, 16	EX8			
31	05124674AA	1	2, 6		01, 02, 06	EX8			PIPE, Air Intake
		1	2, 6		15, 16, 11, 12, 14	EX8			
		1	2, 6		51, 52, 54, 55, 56	EX8			
		1	3, 7		02, 06	EX8			
		1	3, 7		12, 15, 16	EX8			
32									MUFFLER, Exhaust

SPRINTER (VA)
SERIES **LINE** **BODY** **ENGINE** **TRANSMISSION**
L = LOWLINE 3 = HD DODGE 2WD 12 = Van 140" EX8 = Engine - 2.7L I5 DGJ = Transmission - 5-Spd Auto, MB
 8 = HD DODGE 4WD 51 = Wagon 118" Mercedes-Benz TD
 6 = Lt. Duty DODGE 4WD 52 = Wagon 140"
 2 = Med. Duty DODGE 2WD 14 = Van 118"
 7 = Med. Duty DODGE 4WD 15 = Van 140"
 4 = TRUCK 16 = Van 158"
 54 = Wagon 118"
 55 = Wagon 140"
 56 = Wagon 158"
 01 = Chassis Forward Control
 118"
 02 = Chassis Forward Control
 140"
 06 = Front Section 158"
 11 = Van 118"

AR = use ase required - = Non illustrated part

**Auxiliary Warm Water Heater
Figure 24-290**



ITEM	PART NUMBER	QTY	LINE	SERIES	BODY	ENGINE	TRANS	TRIM	DESCRIPTION
	05103848AA	1	2, 6		01, 02, 06	EX8			
		1	2, 6		11, 12, 14, 15, 16	EX8			
		1	2, 6		51, 52, 54, 55, 56	EX8			
		1	3, 7		02, 06	EX8			
		1	3, 7		12, 15, 16	EX8			
33	06104580AA	1	2, 6		01, 02, 06	EX8			SCREW, Tapping
		1	2, 6		11, 12, 14, 15, 16	EX8			
		1	2, 6		51, 52, 54, 55, 56	EX8			
		1	7, 3		02, 06	EX8			
		1	3, 7		12, 15, 16	EX8			
34	05103648AA	1	2, 6		01, 02, 06	EX8			CONTROL UNIT, Air Condiitiing
		1	2, 6		11, 12, 14, 15, 16	EX8			
		1	2, 6		51, 52, 54, 55, 56	EX8			
		1	3, 7		02, 06	EX8			
		1	3, 7		12, 15, 16	EX8			
35	05133305AA	1	2, 6		01, 02, 06	EX8			MODULE, Heater Control
		1	2, 6		11, 12, 14, 15, 16	EX8			
		1	2, 6		51, 52, 54, 55, 56	EX8			
		1	3, 7		02, 06	EX8			
		1	3, 7		12, 15, 16	EX8			
36									TUBE, Heater Core

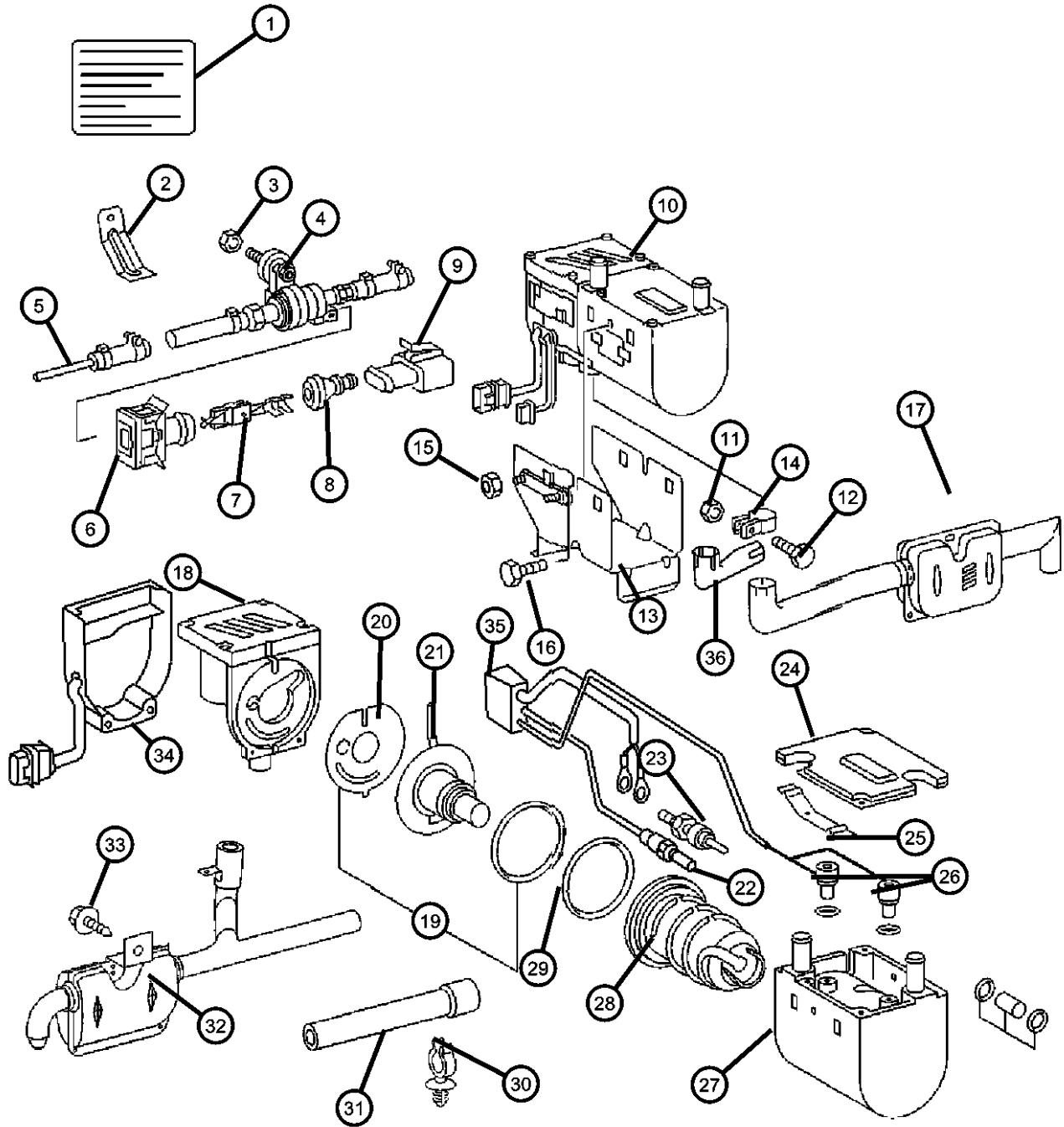
SPRINTER (VA)
SERIES **LINE** **BODY** **ENGINE** **TRANSMISSION**
L = LOWLINE 3 = HD DODGE 2WD 12 = Van 140" EX8 = Engine - 2.7L I5 DGJ = Transmission - 5-Spd Auto, MB
 8 = HD DODGE 4WD 51 = Wagon 118" Mercedes-Benz TD
 6 = Lt. Duty DODGE 4WD 52 = Wagon 140"
 2 = Med. Duty DODGE 2WD 14 = Van 118"
 7 = Med. Duty DODGE 4WD 15 = Van 140"
 4 = TRUCK 16 = Van 158"
 54 = Wagon 118"
 55 = Wagon 140"
 56 = Wagon 158"
 01 = Chassis Forward Control
 118"
 02 = Chassis Forward Control
 140"
 06 = Front Section 158"
 11 = Van 118"

AR = use ase required - = Non illustrated part

**Auxiliary Warm Water Heater
Figure 24-290**

ITEM	PART NUMBER	QTY	LINE	SERIES	BODY	ENGINE	TRANS	TRIM	DESCRIPTION
------	-------------	-----	------	--------	------	--------	-------	------	-------------

	05133318AA	1	2, 6		01, 02, 06	EX8			
		1	2, 6		11, 12, 14, 15, 16	EX8			
		1	2, 6		52, 54, 55, 56, 51	EX8			
		1	3, 7		02, 06	EX8			
		1	3, 7		12, 15, 16	EX8			



SPRINTER (VA)

SERIES

L = LOWLINE

LINE

3 = HD DODGE 2WD
8 = HD DODGE 4WD
6 = Lt. Duty DODGE 4WD
2 = Med. Duty DODGE 2WD
7 = Med. Duty DODGE 4WD
4 = TRUCK

BODY

12 = Van 140"
51 = Wagon 118"
52 = Wagon 140"
14 = Van 118"
15 = Van 140"
16 = Van 158"
54 = Wagon 118"
55 = Wagon 140"
56 = Wagon 158"
01 = Chassis Forward Control
118"
02 = Chassis Forward Control
140"
06 = Front Section 158"
11 = Van 118"

ENGINE

EX8 = Engine - 2.7L I5
Mercedes-Benz TD

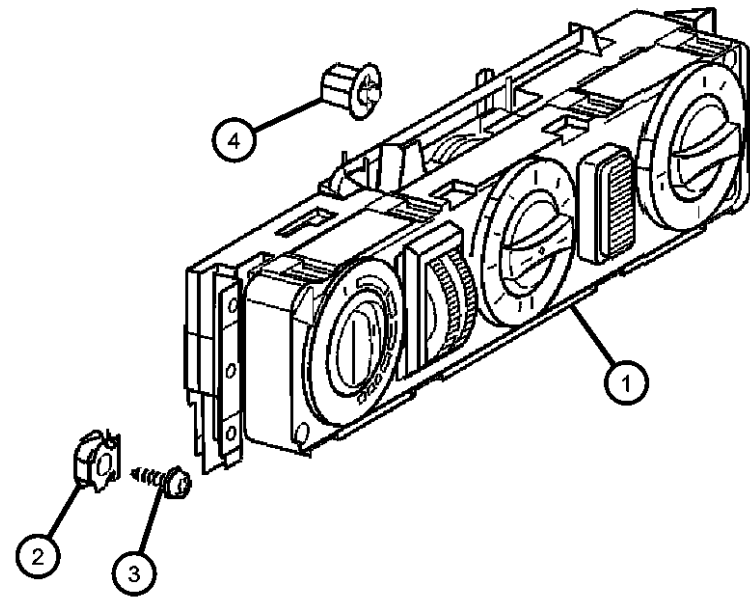
TRANSMISSION

DGJ = Transmission - 5-Spd Auto, MB

AR = use ase required - = Non illustrated part

2005 VA

**Control
Figure 24-320**



ITEM	PART NUMBER	QTY	LINE	SERIES	BODY	ENGINE	TRANS	TRIM	DESCRIPTION
1									CONTROL, A/C And Heater
	05103643AA	1	2, 6		01, 02, 06	EX8			[HAB]
		1	2, 6		11, 12, 14, 15, 16	EX8			[HAB]
		1	2, 6		51, 52, 54, 55, 56	EX8			[HAB]
		1	3, 7		02, 06	EX8			[HAB]
		1	3, 7		12, 15, 16	EX8			[HAB]
	05103644AA	1	2, 6		01, 02, 06	EX8			[HAB+3JV]
		1	2, 6		11, 12, 14, 15, 16	EX8			[HAB+3JV]
		1	2, 6		51, 52, 54, 55, 56	EX8			[HAB+3JV]
		1	3, 7		02, 06	EX8			[HAB+3JV]
		1	3, 7		12, 15, 16	EX8			[HAB+3JV]
	05103690AA	1	2, 6		01, 02, 06	EX8			[-HAB+3JV]
		1	2, 6		11, 12, 14, 15, 16	EX8			[-HAB+3JV]
		1	2, 6		51, 52, 54, 55, 56	EX8			[-HAB+3JV]
		1	3, 7		02, 06	EX8			[-HAB+3JV]
		1	3, 7		12, 15, 16	EX8			[-HAB+3JV]
2									NUT, Spring
	05125861AA	4	2, 6		01, 02, 06	EX8			
		4	2, 6		11, 12, 14, 15, 16	EX8			
		4	2, 6		51, 52, 54, 55, 56	EX8			
		4	3, 7		02, 06	EX8			
		4	3, 7		12, 15, 16	EX8			
3	06104010AA	1	2, 3, 6, 7			EX8			SCREW
4									BULB
	05133468AA	1	2, 6		01, 02, 06	EX8			

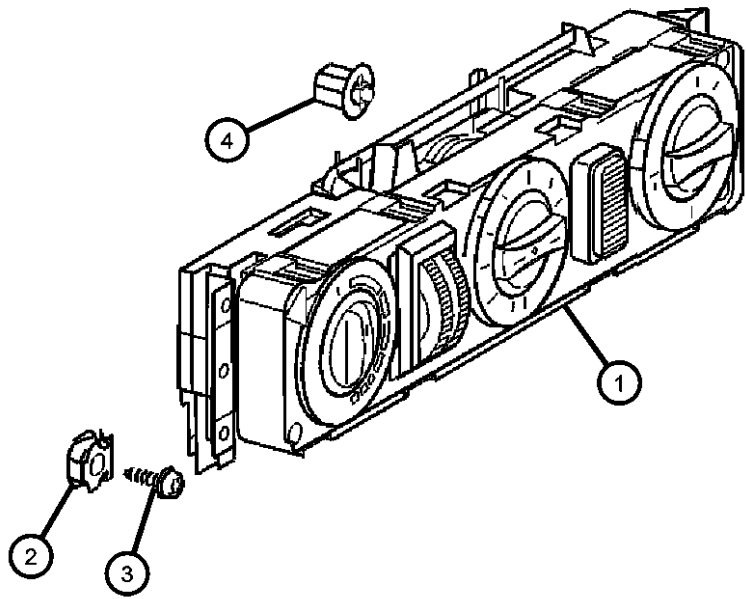
SPRINTER (VA)

SERIES	LINE	BODY	ENGINE	TRANSMISSION
L = LOWLINE	3 = HD DODGE 2WD 8 = HD DODGE 4WD 6 = Lt. Duty DODGE 4WD 2 = Med. Duty DODGE 2WD 7 = Med. Duty DODGE 4WD 4 = TRUCK	12 = Van 140" 51 = Wagon 118" 52 = Wagon 140" 14 = Van 118" 15 = Van 140" 16 = Van 158" 54 = Wagon 118" 55 = Wagon 140" 56 = Wagon 158" 01 = Chassis Forward Control 118" 02 = Chassis Forward Control 140" 06 = Front Section 158" 11 = Van 118"	EX8 = Engine - 2.7L I5 Mercedes-Benz TD	DGJ = Transmission - 5-Spd Auto, MB

AR = use ase required - = Non illustrated part

Control
Figure 24-320

ITEM	PART NUMBER	QTY	LINE	SERIES	BODY	ENGINE	TRANS	TRIM	DESCRIPTION
		1	2, 6		11, 12, 14, 15, 16	EX8			
		1	2, 6		51, 52, 54, 55, 56	EX8			
		1	3, 7		02, 06	EX8			
		1	3, 7		12, 15, 16	EX8			

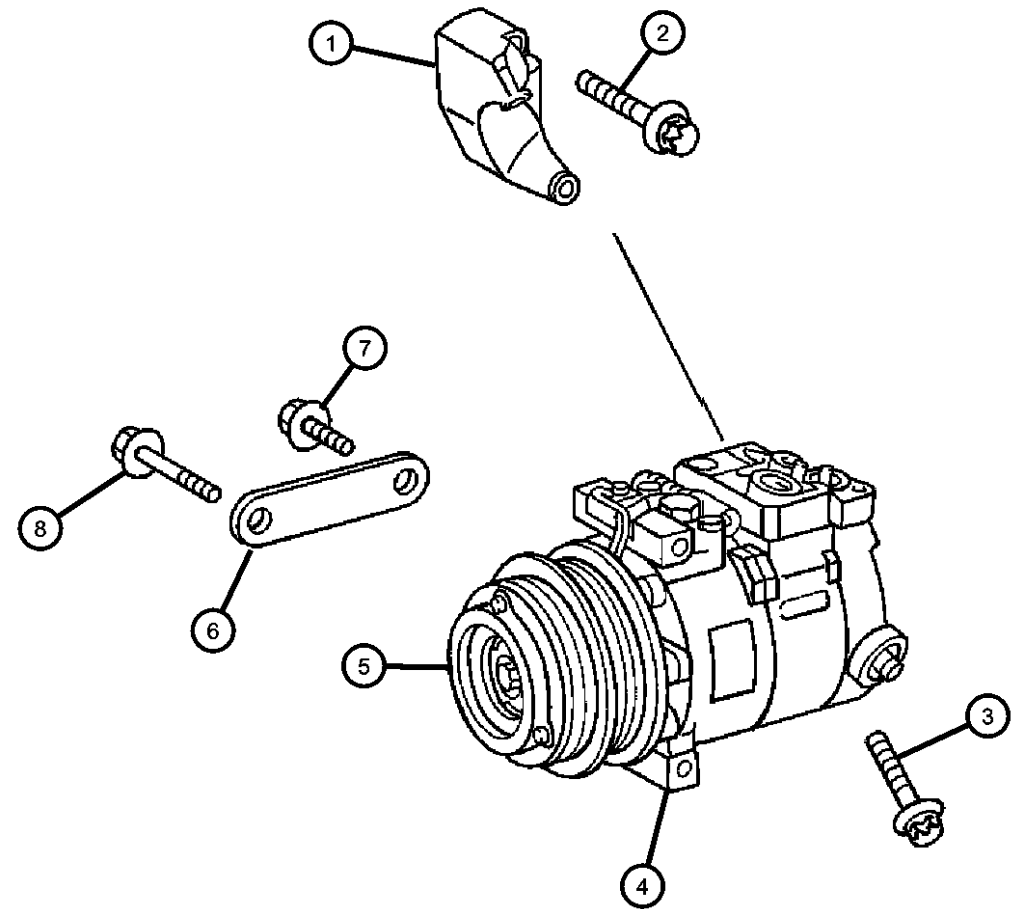


SPRINTER (VA)

SERIES	LINE	BODY	ENGINE	TRANSMISSION
L = LOWLINE	3 = HD DODGE 2WD 8 = HD DODGE 4WD 6 = Lt. Duty DODGE 4WD 2 = Med. Duty DODGE 2WD 7 = Med. Duty DODGE 4WD 4 = TRUCK	12 = Van 140" 51 = Wagon 118" 52 = Wagon 140" 14 = Van 118" 15 = Van 140" 16 = Van 158" 54 = Wagon 118" 55 = Wagon 140" 56 = Wagon 158" 01 = Chassis Forward Control 118" 02 = Chassis Forward Control 140" 06 = Front Section 158" 11 = Van 118"	EX8 = Engine - 2.7L I5 Mercedes-Benz TD	DGJ = Transmission - 5-Spd Auto, MB

AR = use ase required - = Non illustrated part

**Compressor and Mounting
Figure 24-420**



ITEM	PART NUMBER	QTY	LINE	SERIES	BODY	ENGINE	TRANS	TRIM	DESCRIPTION
1	05117682AA	1	2, 3, 6, 7			EX8			SUPPORT
2									SCREW
	06104031AA	1	2, 6		01, 02, 06	EX8			
		1	2, 6		11, 12, 14, 15, 16	EX8			
		1	3, 7		02, 06	EX8			
		1	3, 7		12, 15, 16	EX8			
		1	2, 6		51, 52, 54, 55, 56	EX8			
3									SCREW
	06104035AA	2	2, 6		01, 02, 06	EX8			
		2	2, 6		11, 12, 14, 15, 16	EX8			
		2	3, 7		02, 06	EX8			
		2	3, 7		12, 15, 16	EX8			
		2	2, 6		51, 52, 54, 55, 56	EX8			
4									COMPRESSOR, Air Conditioning
	05117666AA	1	2, 6		01, 02, 06	EX8			[HAB]
		1	2, 6		11, 12, 14, 15, 16	EX8			[HAB]
		1	2, 6		51, 52, 54, 55, 56	EX8			[HAB]
		1	3, 7		02, 06	EX8			[HAB]
		1	3, 7		12, 15, 16	EX8			[HAB]
	05117668AA	1	2, 6		52, 55, 56	EX8			With [HBD]
5									CLUTCH, A/C Compressor
	05133208AA	1	3, 7		02, 06	EX9			
		1	3, 7		12, 15, 16	EX9			
6									BRACKET, A/C Compressor
	05117686AA	1	2, 6		01, 02, 06	EX8			

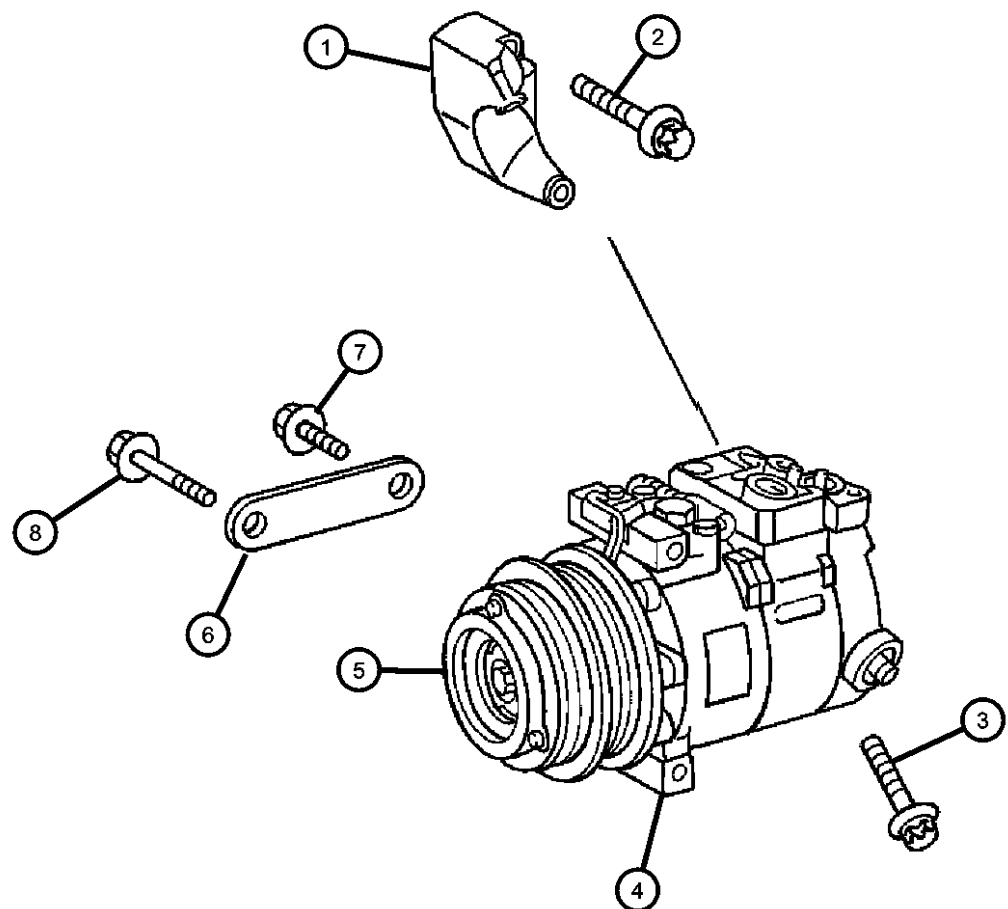
SPRINTER (VA)

SERIES	LINE	BODY	ENGINE	TRANSMISSION
L = LOWLINE	3 = HD DODGE 2WD 8 = HD DODGE 4WD 6 = Lt. Duty DODGE 4WD 2 = Med. Duty DODGE 2WD 7 = Med. Duty DODGE 4WD 4 = TRUCK	12 = Van 140" 51 = Wagon 118" 52 = Wagon 140" 14 = Van 118" 15 = Van 140" 16 = Van 158" 54 = Wagon 118" 55 = Wagon 140" 56 = Wagon 158" 01 = Chassis Forward Control 118" 02 = Chassis Forward Control 140" 06 = Front Section 158" 11 = Van 118"	EX8 = Engine - 2.7L I5 Mercedes-Benz TD	DGJ = Transmission - 5-Spd Auto, MB

AR = use ase required - = Non illustrated part

**Compressor and Mounting
Figure 24-420**

ITEM	PART NUMBER	QTY	LINE	SERIES	BODY	ENGINE	TRANS	TRIM	DESCRIPTION
		1	2, 6		11, 12, 14, 15, 16	EX8			
		1	2, 6		51, 52, 54, 55, 56	EX8			
		1	3, 7		12, 15, 16	EX8			
		1	3, 7		02, 06	EX8			
7	06104022AA	1	2, 3, 6, 7			EX8			SCREW
8	06104036AA	1	2, 6		01, 02, 06	EX8			SCREW
		1	2, 6		11, 12, 14, 15, 16	EX8			
		1	2, 6		51, 52, 54, 55, 56	EX8			
		1	3, 7		02, 06	EX8			
		1	3, 7		12, 15, 16	EX8			

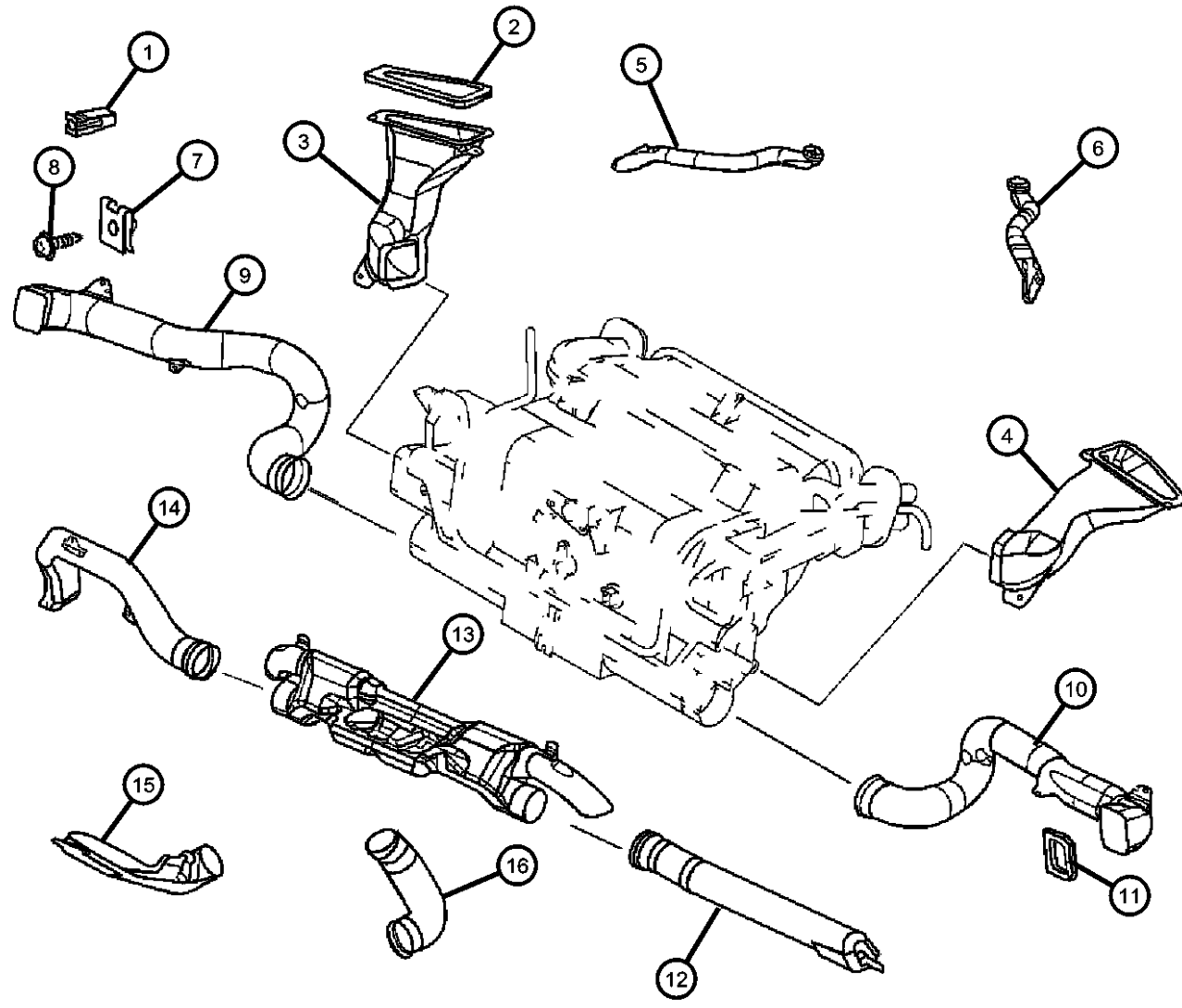


SPRINTER (VA)

SERIES	LINE	BODY	ENGINE	TRANSMISSION
L = LOWLINE	3 = HD DODGE 2WD 8 = HD DODGE 4WD 6 = Lt. Duty DODGE 4WD 2 = Med. Duty DODGE 2WD 7 = Med. Duty DODGE 4WD 4 = TRUCK	12 = Van 140" 51 = Wagon 118" 52 = Wagon 140" 14 = Van 118" 15 = Van 140" 16 = Van 158" 54 = Wagon 118" 55 = Wagon 140" 56 = Wagon 158" 01 = Chassis Forward Control 118" 02 = Chassis Forward Control 140" 06 = Front Section 158" 11 = Van 118"	EX8 = Engine - 2.7L I5 Mercedes-Benz TD	DGJ = Transmission - 5-Spd Auto, MB

AR = use ase required - = Non illustrated part

Air Ducts And Outlets, Front
Figure 24-630



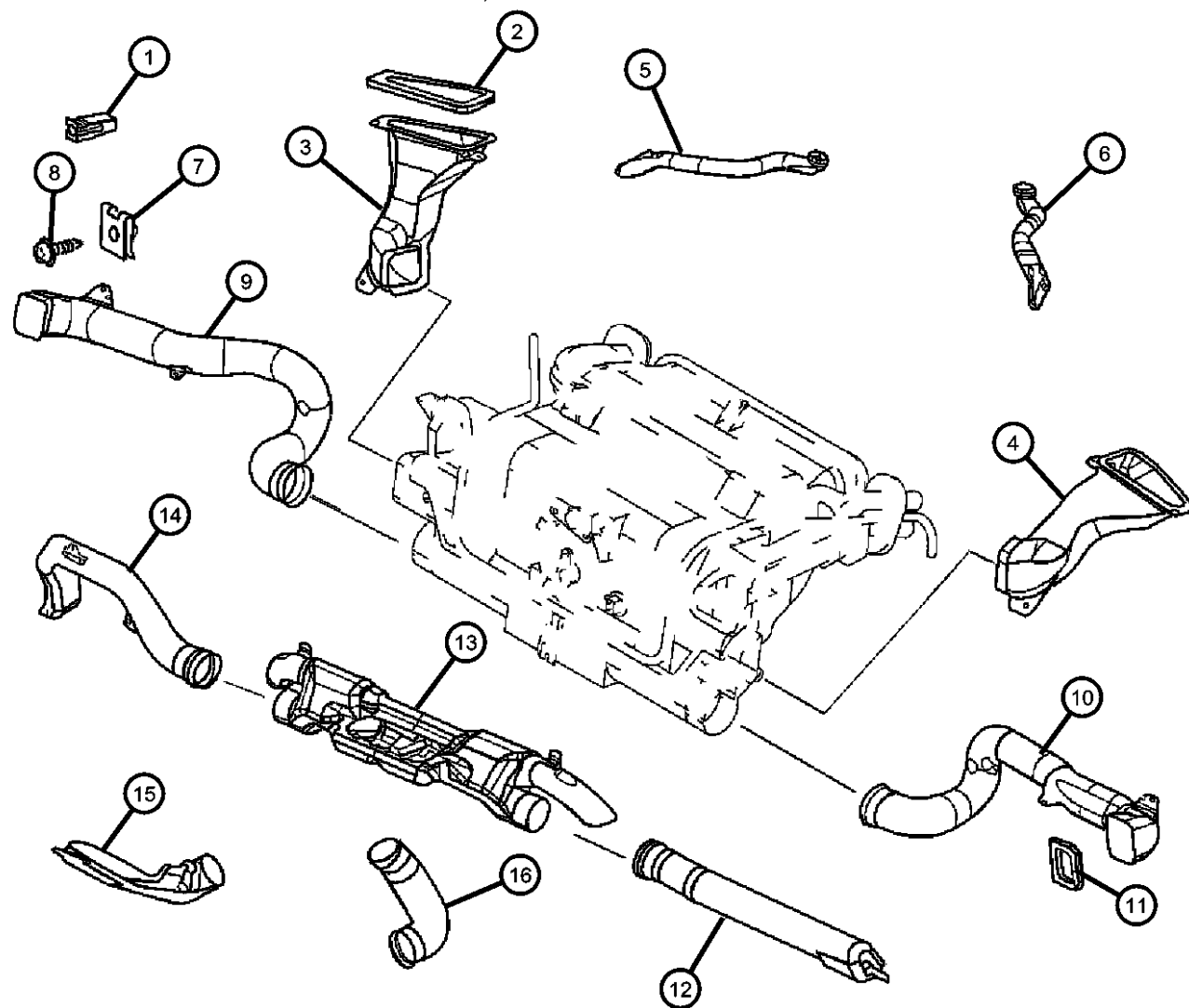
ITEM	PART NUMBER	QTY	LINE	SERIES	BODY	ENGINE	TRANS	TRIM	DESCRIPTION
1									NUT, Plastic Snap-in
	05125576AA	2	2, 6		01, 02, 06	EX8			
		2	2, 6		11, 12, 14, 15, 16	EX8			
		2	3, 7		02, 06	EX8			
		2	3, 7		12, 15, 16	EX8			
2									SEAL
	05124781AA	1	2, 6		01, 02, 06	EX8			Left
		1	2, 6		11, 12, 14, 15, 16	EX8			Left
		1	2, 6		51, 52, 54, 55, 56	EX8			Left
		1	3, 7		02, 06	EX8			Left
		1	3, 7		12, 15, 16	EX8			Left
	05124782AA	1	2, 6		01, 02, 06	EX8			Right
		1	2, 6		11, 12, 14, 15, 16	EX8			Right
		1	2, 6		51, 52, 54, 55, 56	EX8			Right
		1	3, 7		02, 06	EX8			Right
		1	3, 7		12, 15, 16	EX8			Right
3									DUCT, Defroster
	05133445AA	1	2, 6		01, 02, 06	EX8			
		1	2, 6		11, 12, 14, 15, 16	EX8			
		1	2, 6		51, 52, 54, 55, 56	EX8			
		1	3, 7		02, 06	EX8			
		1	3, 7		12, 15, 16	EX8			
4									DUCT, AIR
	05124749AA	1	2, 6		01, 02, 06	EX8			
		1	2, 6		11, 12, 14, 15, 16	EX8			

SPRINTER (VA)

SERIES	LINE	BODY	ENGINE	TRANSMISSION
L = LOWLINE	3 = HD DODGE 2WD 8 = HD DODGE 4WD 6 = Lt. Duty DODGE 4WD 2 = Med. Duty DODGE 2WD 7 = Med. Duty DODGE 4WD 4 = TRUCK	12 = Van 140" 51 = Wagon 118" 52 = Wagon 140" 14 = Van 118" 15 = Van 140" 16 = Van 158" 54 = Wagon 118" 55 = Wagon 140" 56 = Wagon 158" 01 = Chassis Forward Control 118" 02 = Chassis Forward Control 140" 06 = Front Section 158" 11 = Van 118"	EX8 = Engine - 2.7L I5 Mercedes-Benz TD	DGJ = Transmission - 5-Spd Auto, MB

AR = use ase required - = Non illustrated part

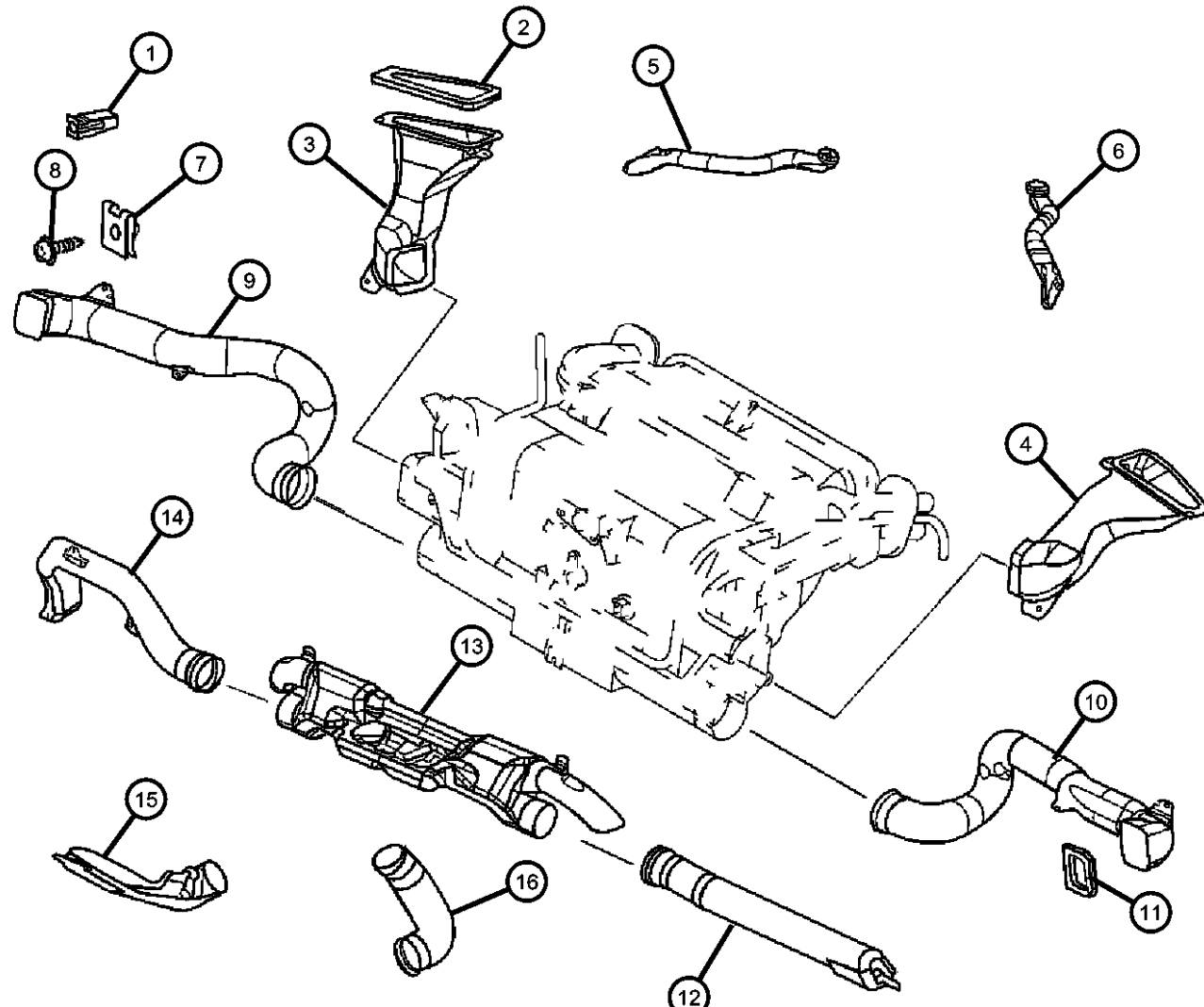
Air Ducts And Outlets, Front
Figure 24-630



ITEM	PART NUMBER	QTY	LINE	SERIES	BODY	ENGINE	TRANS	TRIM	DESCRIPTION
		1	2, 6		51, 52, 54, 55, 56	EX8			
		1	3, 7		02, 06	EX8			
		1	3, 7		12, 15, 16	EX8			
5									DUCT
	05124745AA	1	2, 6		01, 02, 06	EX8			
		1	2, 6		11, 12, 14, 15, 16	EX8			
		1	2, 6		51, 52, 54, 55, 56	EX8			
		1	3, 7		02, 06	EX8			
		1	3, 7		12, 15, 16	EX8			
6									DUCT
	05124746AA	1	2, 6		01, 02, 06	EX8			
		1	2, 6		11, 12, 14, 15, 16	EX8			
		1	2, 6		51, 52, 54, 55, 56	EX8			
		1	3, 7		02, 06	EX8			
		1	3, 7		12, 15, 16	EX8			
7									NUT, Clip-On
	05125857AA	2	2, 6		01, 02, 06	EX8			
		2	2, 6		11, 12, 14, 15, 16	EX8			
		2	2, 6		51, 52, 54, 55, 56	EX8			
		2	3, 7		02, 06	EX8			
		2	3, 7		12, 15, 16	EX8			
8									SCREW
	06104610AA	2	2, 6		01, 02, 06	EX8			
		2	2, 6		11, 12, 14, 15, 16	EX8			

SPRINTER (VA)
SERIES **LINE** **BODY** **ENGINE** **TRANSMISSION**
 L = LOWLINE 3 = HD DODGE 2WD 12 = Van 140" EX8 = Engine - 2.7L I5 DGJ = Transmission - 5-Spd Auto, MB
 8 = HD DODGE 4WD 51 = Wagon 118" Mercedes-Benz TD
 6 = Lt. Duty DODGE 4WD 52 = Wagon 140"
 2 = Med. Duty DODGE 2WD 14 = Van 118"
 7 = Med. Duty DODGE 4WD 15 = Van 140"
 4 = TRUCK 16 = Van 158"
 54 = Wagon 118"
 55 = Wagon 140"
 56 = Wagon 158"
 01 = Chassis Forward Control
 118"
 02 = Chassis Forward Control
 140"
 06 = Front Section 158"
 11 = Van 118"

Air Ducts And Outlets, Front
Figure 24-630

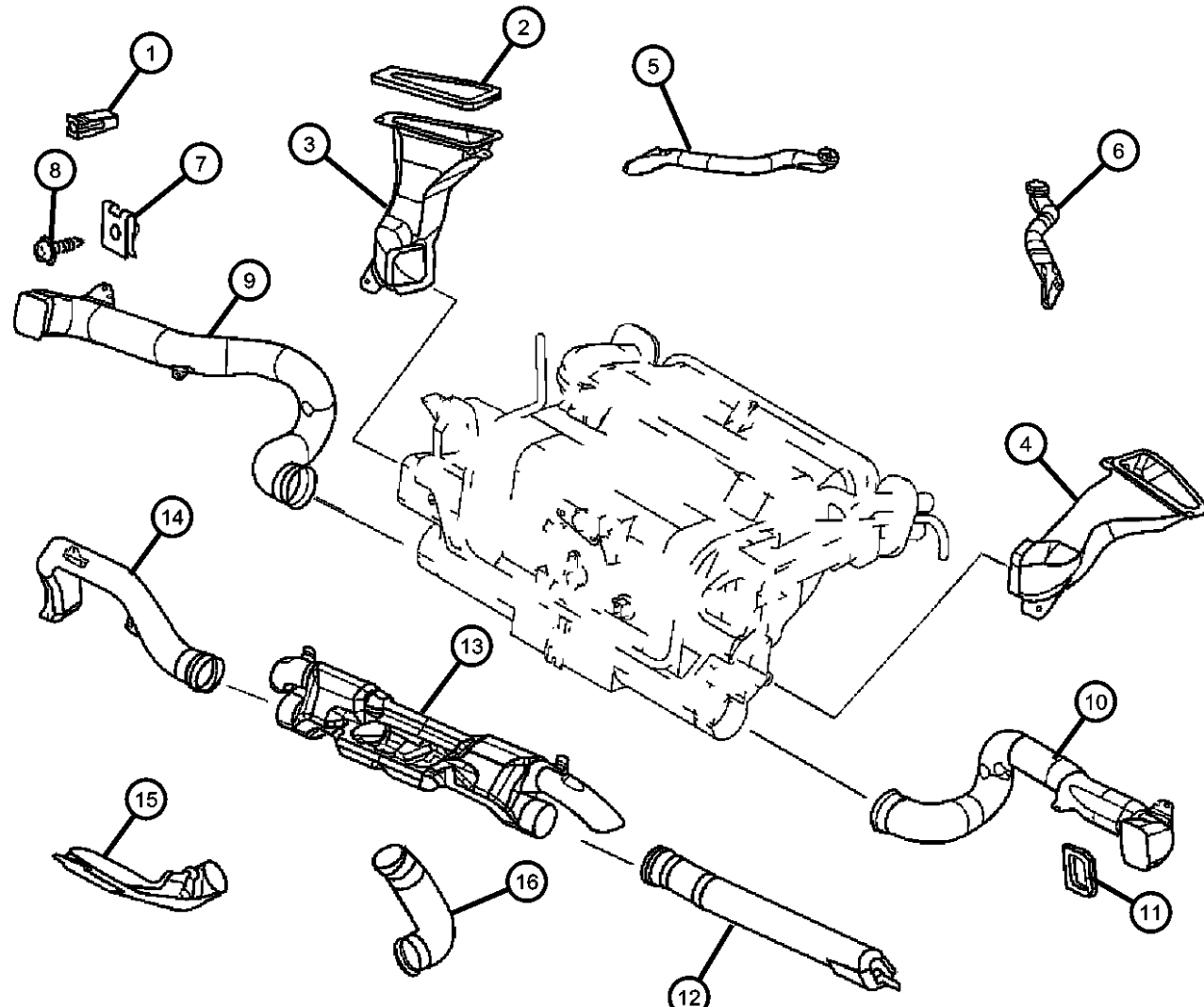


ITEM	PART NUMBER	QTY	LINE	SERIES	BODY	ENGINE	TRANS	TRIM	DESCRIPTION
		2	2, 6		51, 52, 54, 55, 56	EX8			
		2	3, 7		02, 06	EX8			
		2	3, 7		12, 15, 16	EX8			
9	05124749AA	1	2, 6		01, 02, 06	EX8			DUCT, AIR
		1	2, 6		11, 12, 14, 15, 16	EX8			
		1	2, 6		51, 52, 54, 55, 56	EX8			
		1	3, 7		02, 06	EX8			
		1	3, 7		12, 15, 16	EX8			
10	05124742AA	1	2, 6		11, 12, 14, 15, 16				DUCT
		1	2, 6		51, 52, 54, 55, 56				
		1	3, 7		12, 15, 16				
11	05124788AA	1	2, 6		01, 02, 06	EX8			SEAL
		1	2, 6		11, 12, 14, 15, 16	EX8			Left
		1	2, 6		51, 52, 54, 55, 56	EX8			Left
		1	3, 7		02, 06	EX8			Left
		1	3, 7		12, 15, 16	EX8			Left
	05124789AA	1	2, 6		01, 02, 06	EX8			Right
		1	2, 6		11, 12, 14, 15, 16	EX8			Right
		1	2, 6		51, 52, 54, 55, 56	EX8			Right
		1	3, 7		02, 06	EX8			Right
		1	3, 7		12, 15, 16	EX8			Right

SPRINTER (VA)
SERIES **LINE** **BODY** **ENGINE** **TRANSMISSION**
L = LOWLINE 3 = HD DODGE 2WD 12 = Van 140" EX8 = Engine - 2.7L I5
 8 = HD DODGE 4WD 51 = Wagon 118" Mercedes-Benz TD
 6 = Lt. Duty DODGE 4WD 52 = Wagon 140" DGJ = Transmission - 5-Spd Auto, MB
 2 = Med. Duty DODGE 2WD 14 = Van 118"
 7 = Med. Duty DODGE 4WD 15 = Van 140"
 4 = TRUCK 16 = Van 158"
 54 = Wagon 118"
 55 = Wagon 140"
 56 = Wagon 158"
 01 = Chassis Forward Control
 118"
 02 = Chassis Forward Control
 140"
 06 = Front Section 158"
 11 = Van 118"

AR = use ase required - = Non illustrated part

Air Ducts And Outlets, Front
Figure 24-630



ITEM	PART NUMBER	QTY	LINE	SERIES	BODY	ENGINE	TRANS	TRIM	DESCRIPTION
12	05124740AA	1	2, 6		01, 02, 06	EX8			DUCT
		1	2, 6		11, 12, 14, 15, 16	EX8			
		1	2, 6		51, 52, 54, 55, 56	EX8			
		1	3, 7		02, 06	EX8			
		1	3, 7		12, 15, 16	EX8			
13	05124737AA	1	2, 6		01, 02, 06	EX8			DUCT
		1	2, 6		11, 12, 14, 15, 16	EX8			
		1	2, 6		51, 52, 54, 55, 56	EX8			
		1	3, 7		02, 06	EX8			
		1	3, 7		12, 15, 16	EX8			
14	05124739AA	1	2, 6		01, 02, 06	EX8			DUCT
		1	2, 6		11, 12, 14, 15, 16	EX8			
		1	2, 6		51, 52, 54, 55, 56	EX8			
		1	3, 7		02, 06	EX8			
		1	3, 7		12, 15, 16	EX8			
15	05124748AA	1	2, 6		01, 02, 06	EX8			DUCT
		1	2, 6		11, 12, 14, 15, 16	EX8			
		1	2, 6		51, 52, 54, 55, 56	EX8			
		1	3, 7		02, 06	EX8			
		1	3, 7		12, 15, 16	EX8			

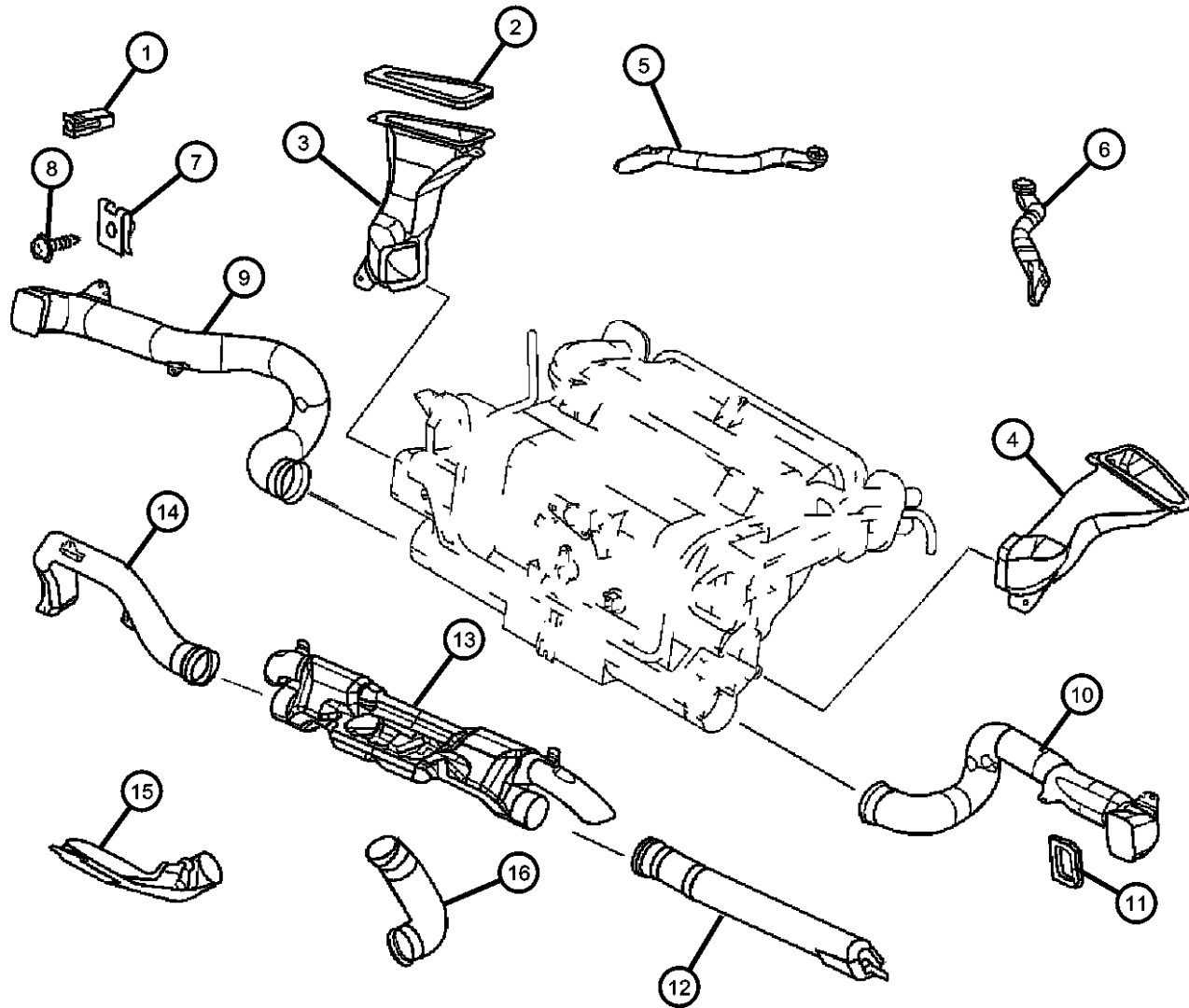
SPRINTER (VA)
SERIES **LINE** **BODY** **ENGINE** **TRANSMISSION**
L = LOWLINE 3 = HD DODGE 2WD 12 = Van 140" EX8 = Engine - 2.7L I5 DGJ = Transmission - 5-Spd Auto, MB
 8 = HD DODGE 4WD 51 = Wagon 118" Mercedes-Benz TD
 6 = Lt. Duty DODGE 4WD 52 = Wagon 140"
 2 = Med. Duty DODGE 2WD 14 = Van 118"
 7 = Med. Duty DODGE 4WD 15 = Van 140"
 4 = TRUCK 16 = Van 158"
 54 = Wagon 118"
 55 = Wagon 140"
 56 = Wagon 158"
 01 = Chassis Forward Control
 118"
 02 = Chassis Forward Control
 140"
 06 = Front Section 158"
 11 = Van 118"

AR = use ase required - = Non illustrated part

Air Ducts And Outlets, Front
Figure 24-630

ITEM	PART NUMBER	QTY	LINE	SERIES	BODY	ENGINE	TRANS	TRIM	DESCRIPTION
------	-------------	-----	------	--------	------	--------	-------	------	-------------

16									DUCT
	05124747AA	1	2, 6		01, 02, 06	EX8			
		1	2, 6		11, 12, 14, 15, 16	EX8			
		1	2, 6		51, 52, 54, 55, 56	EX8			
		1	3, 7		02, 06	EX8			
		1	3, 7		12, 15, 16	EX8			



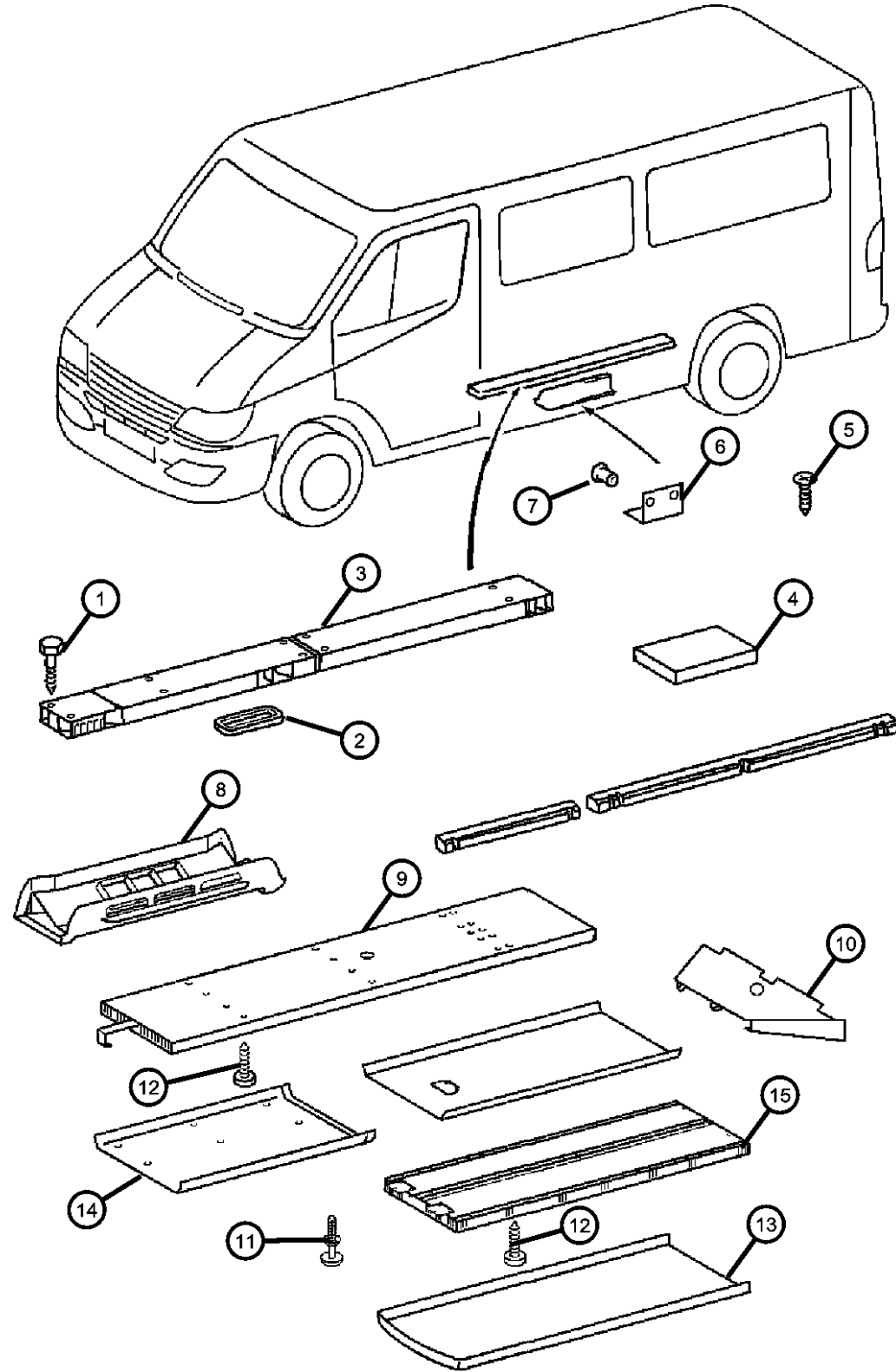
SPRINTER (VA)

SERIES	LINE	BODY	ENGINE	TRANSMISSION
L = LOWLINE	3 = HD DODGE 2WD 8 = HD DODGE 4WD 6 = Lt. Duty DODGE 4WD 2 = Med. Duty DODGE 2WD 7 = Med. Duty DODGE 4WD 4 = TRUCK	12 = Van 140" 51 = Wagon 118" 52 = Wagon 140" 14 = Van 118" 15 = Van 140" 16 = Van 158" 54 = Wagon 118" 55 = Wagon 140" 56 = Wagon 158" 01 = Chassis Forward Control 118" 02 = Chassis Forward Control 140" 06 = Front Section 158" 11 = Van 118"	EX8 = Engine - 2.7L I5 Mercedes-Benz TD	DGJ = Transmission - 5-Spd Auto, MB

AR = use ase required - = Non illustrated part

2005 VA

Air Ducts And Outlets, Rear
Figure 24-640



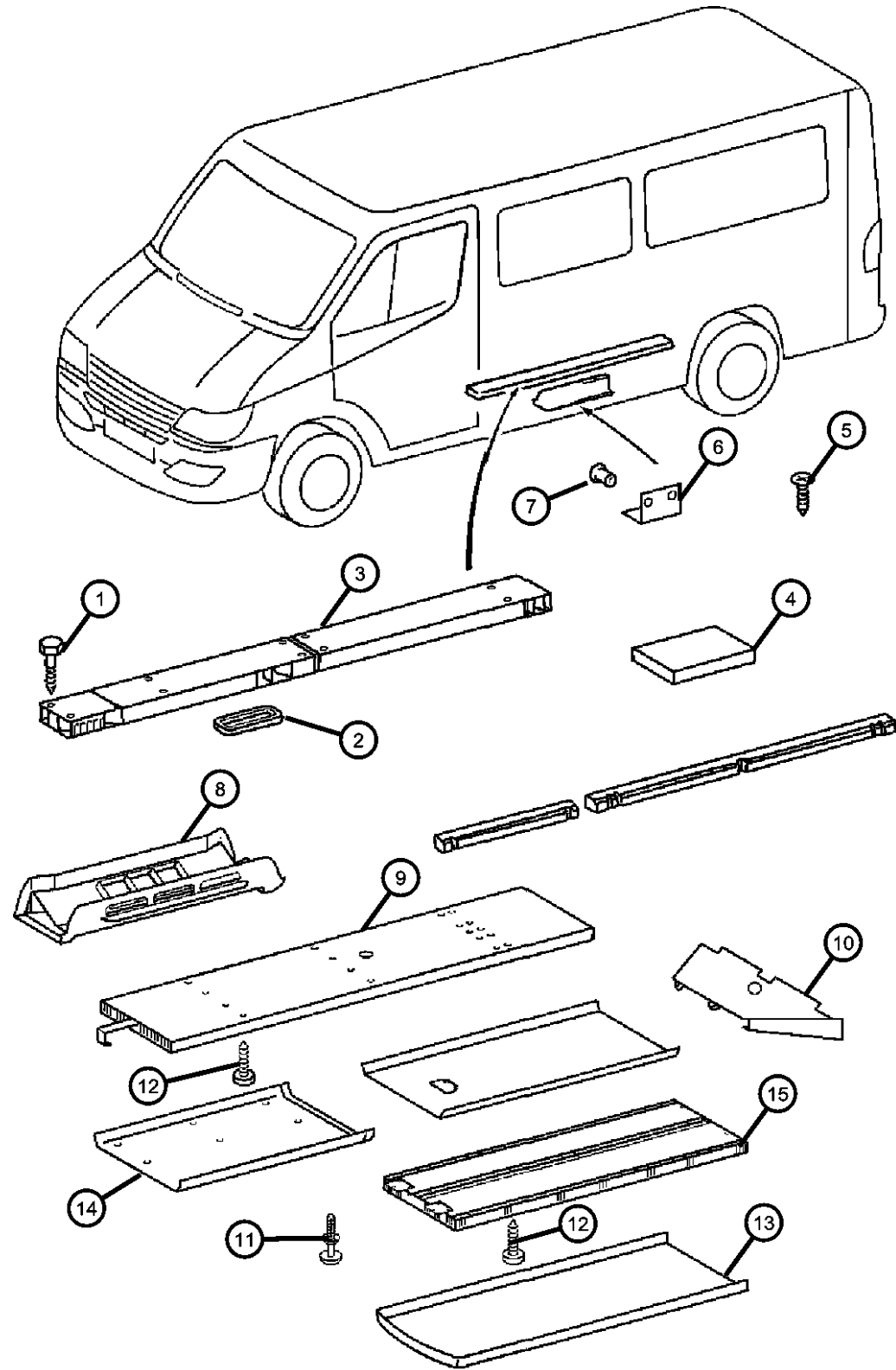
ITEM	PART NUMBER	QTY	LINE	SERIES	BODY	ENGINE	TRANS	TRIM	DESCRIPTION
1									SCREW
	05126093AA	6	2, 6		11, 14	EX8			
		10	2, 6		52, 55	EX8			
		6	2, 6		51, 54	EX8			
		10	3, 7		12, 15, 16	EX8			
		10	2, 6		12, 15	EX8			
2									SEAL
	05102646AA	1	2, 6		01, 02, 06	EX8			
	05124763AA	1	2, 6		51, 52, 54, 55, 56	EX8			
		1	3, 7		12, 15, 16	EX8			
3									HOUSING, Air Duct
	05124655AA	1	2, 6		12, 15	EX8			Front
		1	2, 6		52, 55	EX8			Front
		1	3, 7		12, 15, 16	EX8			Front
	05124656AA	1	2, 6		12, 15	EX8			Rear
		1	2, 6		52, 55	EX8			Rear
		1	3, 7		12, 15, 16	EX8			Rear
4									SEAL
	05124763AA	1	2, 6		11, 12, 14, 15, 16	EX8			
		1	2, 6		51, 52, 54, 55, 56	EX8			
		1	3, 7		12, 15, 16	EX8			
5		1							SCREW, (NOT SERVICED)
6		1							BRACKET, (NOT SERVICED)
7									RIVET, Blind Bulb
	05133417AA	3	2, 6		01, 02, 06	EX8			
		3	2, 6		11, 12, 14, 15, 16	EX8			

SPRINTER (VA)

SERIES	LINE	BODY	ENGINE	TRANSMISSION
L = LOWLINE	3 = HD DODGE 2WD 8 = HD DODGE 4WD 6 = Lt. Duty DODGE 4WD 2 = Med. Duty DODGE 2WD 7 = Med. Duty DODGE 4WD 4 = TRUCK	12 = Van 140" 51 = Wagon 118" 52 = Wagon 140" 14 = Van 118" 15 = Van 140" 16 = Van 158" 54 = Wagon 118" 55 = Wagon 140" 56 = Wagon 158" 01 = Chassis Forward Control 118" 02 = Chassis Forward Control 140" 06 = Front Section 158" 11 = Van 118"	EX8 = Engine - 2.7L I5 Mercedes-Benz TD	DGJ = Transmission - 5-Spd Auto, MB

AR = use ase required - = Non illustrated part

Air Ducts And Outlets, Rear
Figure 24-640



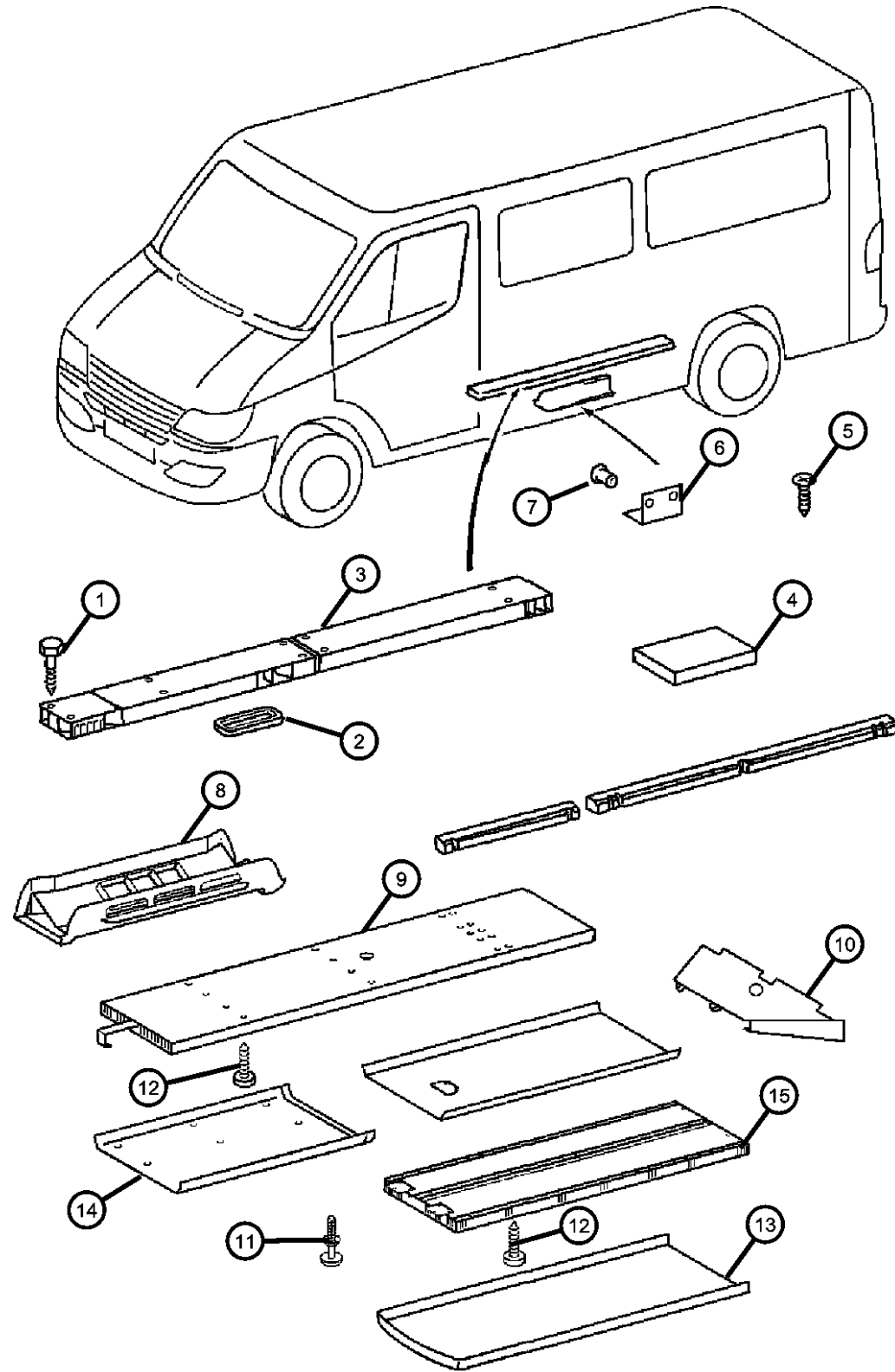
ITEM	PART NUMBER	QTY	LINE	SERIES	BODY	ENGINE	TRANS	TRIM	DESCRIPTION
		3	2, 6		51, 52, 54, 55, 56	EX8			
		3	3, 7		02, 06	EX8			
		3	3, 7		12, 15, 16	EX8			
8		3							INSULATOR, (NOT SERVICED)
9	05132290AA	1	2, 6		11, 12, 14, 15, 16	EX8			AIR DUCT
		1	2, 6		51, 52, 54, 55, 56	EX8			
10	05132312AA	1	2, 6		11, 12, 14, 15, 16	EX8			AIR DUCT
		1	3, 7		12, 15, 16	EX8			
		1	6, 2		51, 52, 54, 55, 56	EX8			
11	05104541AA	2	2, 6		11, 12, 14, 15, 16	EX8			RIVET
		2	2, 6		51, 52, 54, 55, 56	EX8			
		2	3, 7		12, 15	EX8			
12	05133449AA	20	2, 6		11, 12, 14, 15, 16	EX8			SCREW, Self-Tapping
		20	2, 6		51, 52, 54, 55, 56	EX8			
13	05104482AA	1	2, 6		11, 12, 14, 15, 16	EX8			HOUSING, Air Duct
		1	2, 6		51, 52, 54, 55, 56	EX8			
14	05132291AA	1	2, 6		11, 12, 14, 15, 16	EX8			AIR DUCT

SPRINTER (VA)

SERIES	LINE	BODY	ENGINE	TRANSMISSION
L = LOWLINE	3 = HD DODGE 2WD 8 = HD DODGE 4WD 6 = Lt. Duty DODGE 4WD 2 = Med. Duty DODGE 2WD 7 = Med. Duty DODGE 4WD 4 = TRUCK	12 = Van 140" 51 = Wagon 118" 52 = Wagon 140" 14 = Van 118" 15 = Van 140" 16 = Van 158" 54 = Wagon 118" 55 = Wagon 140" 56 = Wagon 158" 01 = Chassis Forward Control 118" 02 = Chassis Forward Control 140" 06 = Front Section 158" 11 = Van 118"	EX8 = Engine - 2.7L I5 Mercedes-Benz TD	DGJ = Transmission - 5-Spd Auto, MB

AR = use ase required - = Non illustrated part

Air Ducts And Outlets, Rear
Figure 24-640



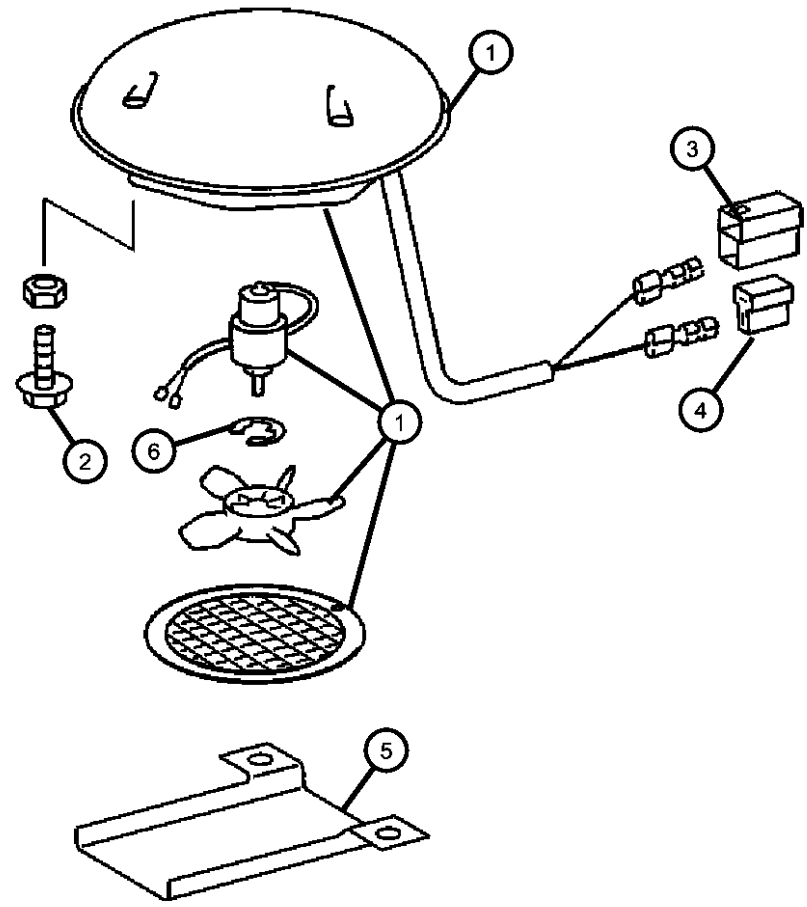
ITEM	PART NUMBER	QTY	LINE	SERIES	BODY	ENGINE	TRANS	TRIM	DESCRIPTION
15		1	2, 6		51, 52, 54, 55, 56	EX8			AIR DUCT
	05132292AA	1	2, 6		11, 12, 14, 15, 16	EX8			
-16		1	2, 6		51, 52, 54, 55, 56	EX8			SPRING, Filter
	05133453AA	8	2, 6		14, 15, 16	EX8			
		8	3, 7		15, 16	EX8			
		6	2, 6		51, 52, 54, 55, 56	EX8			

SPRINTER (VA)

SERIES	LINE	BODY	ENGINE	TRANSMISSION
L = LOWLINE	3 = HD DODGE 2WD	12 = Van 140"	EX8 = Engine - 2.7L I5	DGJ = Transmission - 5-Spd Auto, MB
	8 = HD DODGE 4WD	51 = Wagon 118"	Mercedes-Benz TD	
	6 = Lt. Duty DODGE 4WD	52 = Wagon 140"		
	2 = Med. Duty DODGE 2WD	14 = Van 118"		
	7 = Med. Duty DODGE 4WD	15 = Van 140"		
	4 = TRUCK	16 = Van 158"		
		54 = Wagon 118"		
		55 = Wagon 140"		
		56 = Wagon 158"		
		01 = Chassis Forward Control 118"		
		02 = Chassis Forward Control 140"		
		06 = Front Section 158"		
		11 = Van 118"		

AR = use ase required - = Non illustrated part

Ventilator, Roof Mounted
Figure 24-650



ITEM	PART NUMBER	QTY	LINE	SERIES	BODY	ENGINE	TRANS	TRIM	DESCRIPTION
1	05103696AA	1	2, 6		11, 12, 14, 15, 16	EX8			HOUSING, Forced Vent Outlet
		1	3, 7		12, 15, 16	EX8			
2	06104351AA	9	2, 6		11, 12, 14, 15, 16	EX8			BOLT, M6x20
		9	3, 7		12, 15, 16	EX8			
3	05103754AA	1	2, 6		01, 02, 06	EX8			INSULATOR, 2 Way Female
		1	2, 6		11, 12, 14, 15, 16	EX8			
		1	2, 6		51, 52, 54, 55, 56	EX8			
		1	3, 7		02, 06	EX8			
		1	3, 7		12, 15, 16	EX8			
4	05103751AA	1	2, 6		11, 12, 14, 15, 16	EX8			CONNECTOR
		1	2, 6		51, 52, 54, 55, 56	EX8			
		1	3, 7		12, 15, 16	EX8			
5	05124790AA	1	2, 6		11, 12, 14, 15, 16	EX8			COVER, Bracket
		1	3, 7		12, 15, 16	EX8			
6	05133639AA	1	2, 6		11, 12, 14, 15, 16	EX8			CLIP, Fan Shroud
		1	3, 7		12, 15, 16	EX8			
-7	05133638AA	1	2, 6		11, 12, 14, 15, 16	EX8			GRILLE, Vent
		1	3, 7		12, 15, 16	EX8			

SPRINTER (VA)				
SERIES	LINE	BODY	ENGINE	TRANSMISSION
L = LOWLINE	3 = HD DODGE 2WD 8 = HD DODGE 4WD 6 = Lt. Duty DODGE 4WD 2 = Med. Duty DODGE 2WD 7 = Med. Duty DODGE 4WD 4 = TRUCK	12 = Van 140" 51 = Wagon 118" 52 = Wagon 140" 14 = Van 118" 15 = Van 140" 16 = Van 158" 54 = Wagon 118" 55 = Wagon 140" 56 = Wagon 158" 01 = Chassis Forward Control 118" 02 = Chassis Forward Control 140" 06 = Front Section 158" 11 = Van 118"	EX8 = Engine - 2.7L I5 Mercedes-Benz TD	DGJ = Transmission - 5-Spd Auto, MB

AR = use ase required - = Non illustrated part

Group - DVA

Doors and Related Parts

Group - DVA Doors and Related Parts

Illustration Title

Group-Fig. No.

Front Door

Door, Front Shell And Hinges	Fig. DVA - 110
Door, Front Glass And Regulator Handle	Fig. DVA - 120
Door, Front Exterior Handle And Links	Fig. DVA - 130

Door, Sliding Cargo

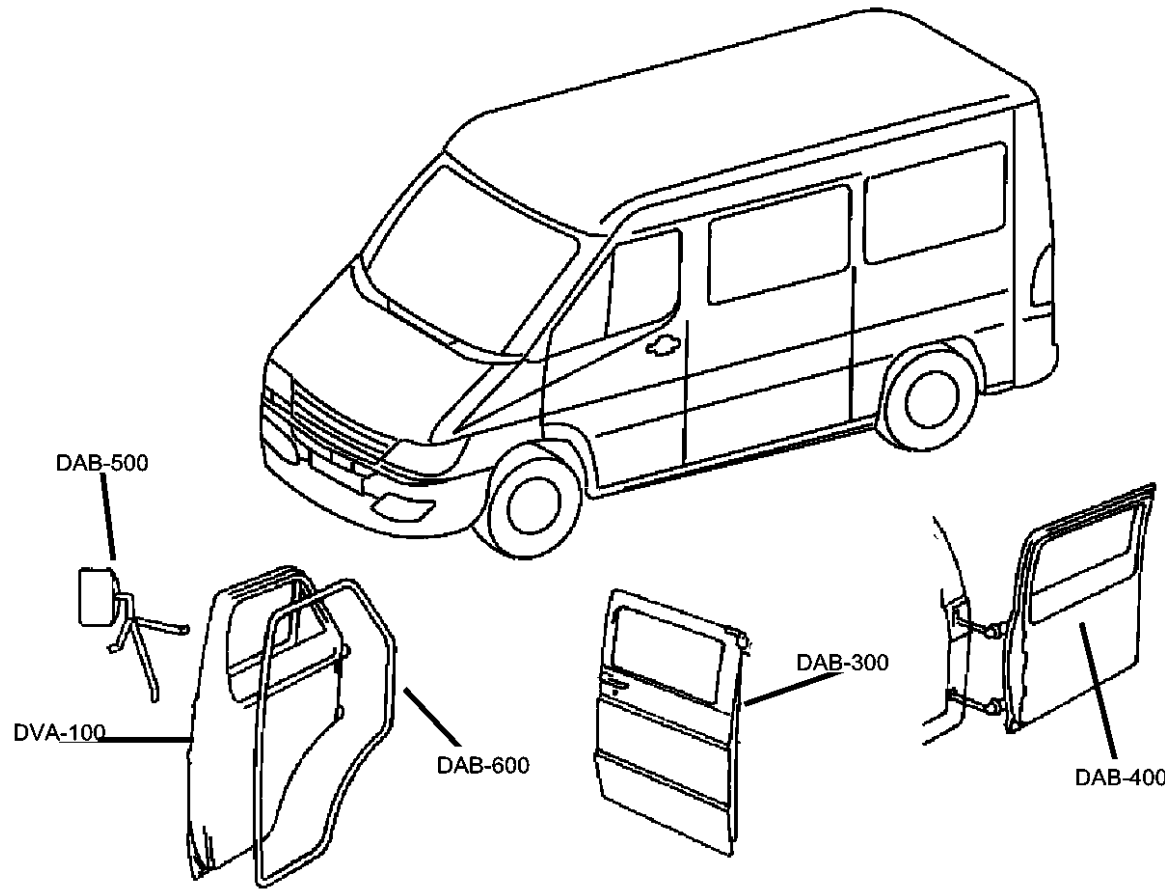
Door, Sliding Cargo Shell And Hinges	Fig. DVA - 310
Door, Sliding Cargo Glass	Fig. DVA - 320
Door, Sliding Cargo Lock And Controls	Fig. DVA - 330

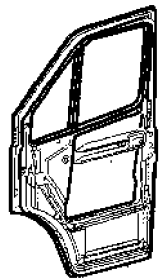
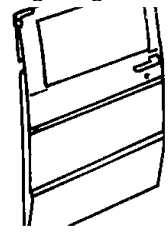
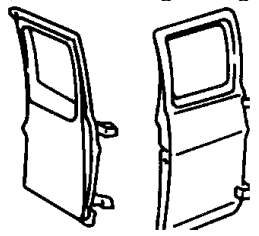
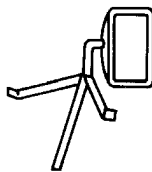
Door, Dual and Single Cargo

Door, Cargo Shell And Hinges	Fig. DVA - 410
Door, Cargo Glass And Hardware	Fig. DVA - 420
Door, Cargo Lock And Control	Fig. DVA - 430

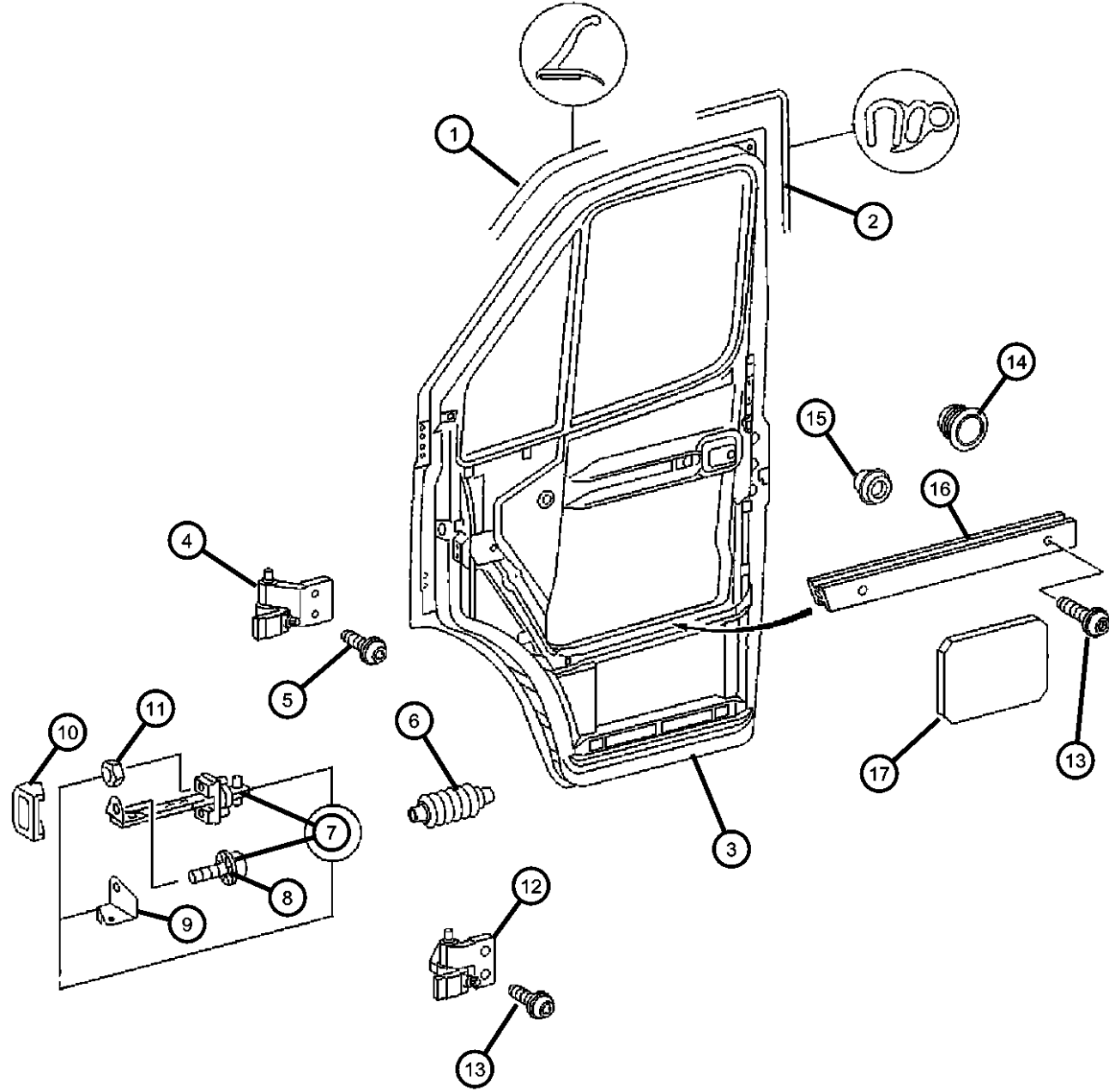
Exterior Mirror

Mirrors, Exterior	Fig. DVA - 520
-------------------------	----------------



<p>DVA-100 Front Door</p> 	<p>DVA-300 Door, Sliding Cargo</p> 	<p>DVA-400 Door, Dual and Single Cargo</p> 	<p>DVA-500 Exterior Mirror</p> 
--	---	--	---

Door, Front Shell And Hinges
Figure DVA-110



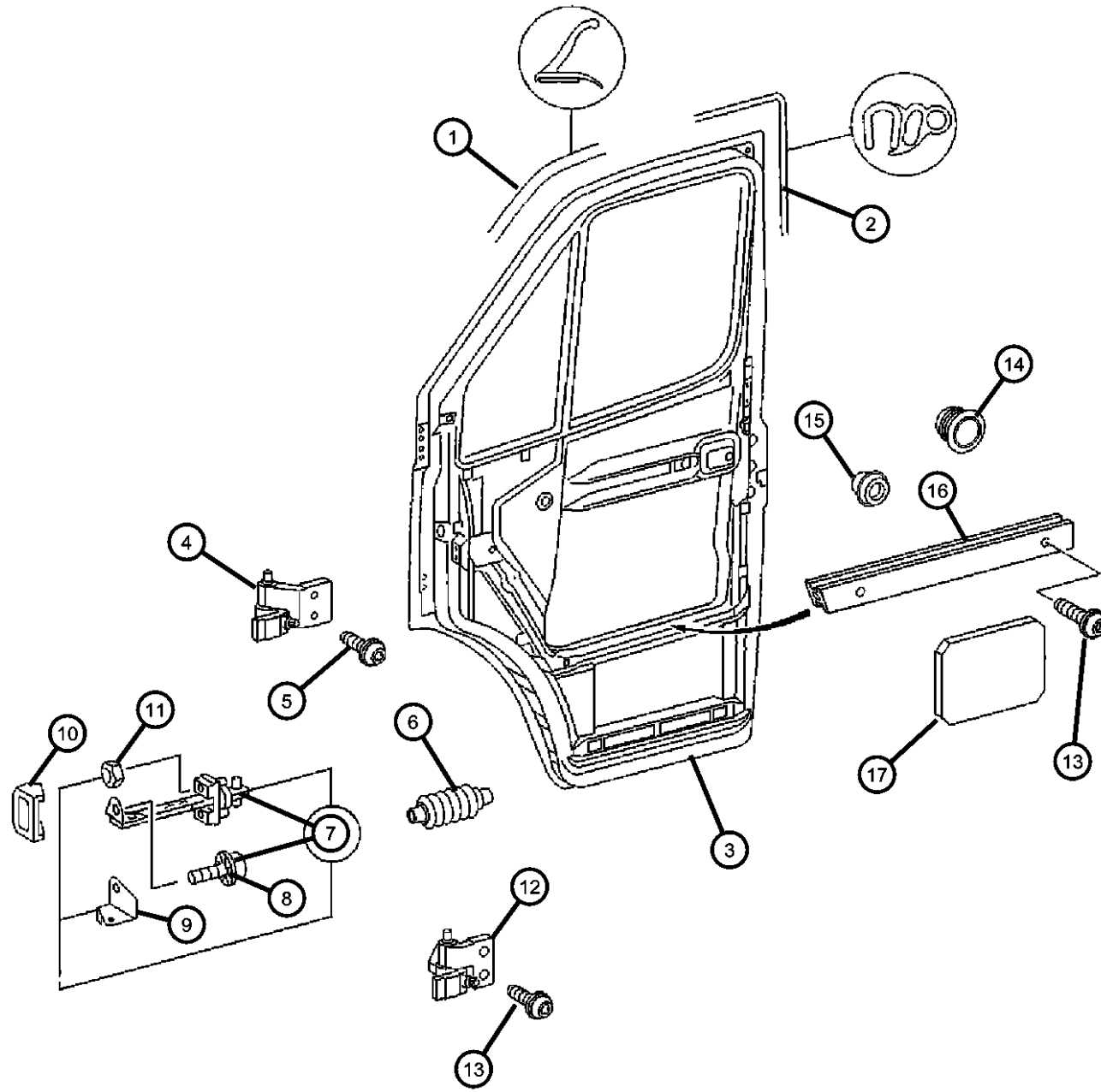
ITEM	PART NUMBER	QTY	LINE	SERIES	BODY	ENGINE	TRANS	TRIM	DESCRIPTION
1	05133518AA	1	2, 6	L	01, 02, 06				SEAL, Door
		1	2, 6	L	11, 12, 14, 15, 16				
		1	2, 6	L	51, 52, 54, 55, 56				
2	05104426AA	1	2, 6	L	11, 12, 14, 15, 16				SEAL, Door
		1	2, 6	L	51, 52, 54, 55, 56				
		1	3, 7	L	16				
3	05135988AA	1	3, 7	L	02, 06				PANEL, Front Door, Shell
	05135991AA	1	2, 6	L	01, 02, 06				Right
		1	2, 6	L	01, 02, 06				Left
		1	3, 7	L	02, 06				Right
		1	3, 7	L	02, 06				Left
4	05104321AA	1	2, 6	L	11, 12, 14, 15, 16				HINGE, Door, Upper
		1	2, 6	L	51, 52, 54, 55, 56				Left
		1	3, 7	L	12, 15, 16				Left
	05104324AA	1	2, 6	L	11, 12, 14, 15, 16				Right
		1	2, 6	L	51, 52, 54, 55, 56				Right
		1	3, 7	L	12, 15, 16				Right
5	05103780AA	1	3, 7	L	12, 15				SCREW
6	05125915AA	2	2, 6	L	11, 12, 14, 15, 16				GROMMET, Door Wiring
		2	2, 6	L	51, 52, 54, 55, 56				

SPRINTER (VA)

SERIES	LINE	BODY	ENGINE	TRANSMISSION
L = LOWLINE	3 = HD DODGE 2WD 8 = HD DODGE 4WD 6 = Lt. Duty DODGE 4WD 2 = Med. Duty DODGE 2WD 7 = Med. Duty DODGE 4WD 4 = TRUCK	12 = Van 140" 51 = Wagon 118" 52 = Wagon 140" 14 = Van 118" 15 = Van 140" 16 = Van 158" 54 = Wagon 118" 55 = Wagon 140" 56 = Wagon 158" 01 = Chassis Forward Control 118" 02 = Chassis Forward Control 140" 06 = Front Section 158" 11 = Van 118"	EX8 = Engine - 2.7L I5 Mercedes-Benz TD	DGJ = Transmission - 5-Spd Auto, MB

AR = use ase required - = Non illustrated part

Door, Front Shell And Hinges
Figure DVA-110



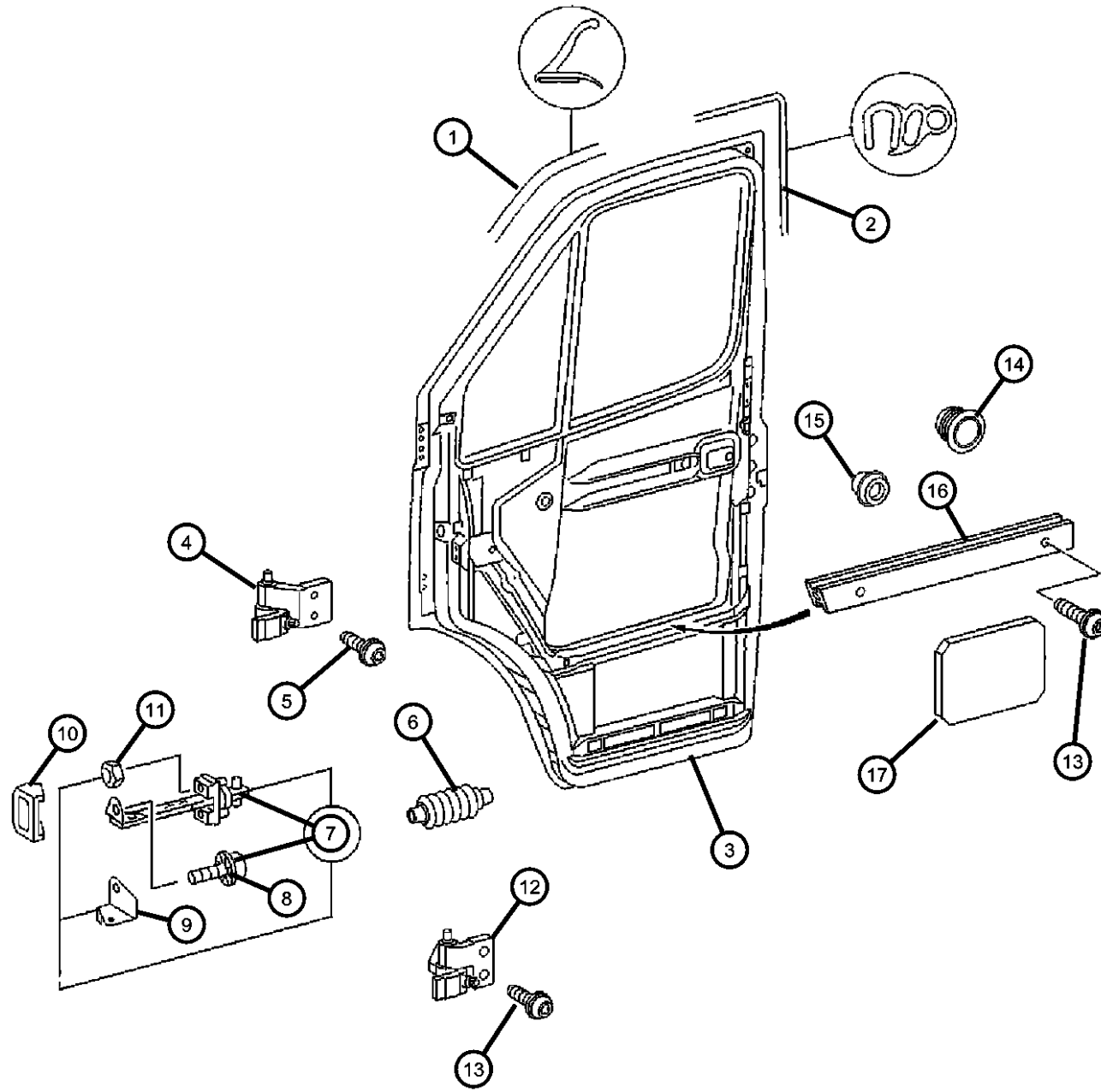
ITEM	PART NUMBER	QTY	LINE	SERIES	BODY	ENGINE	TRANS	TRIM	DESCRIPTION
		2	3, 7	L	02, 06				
		2	3, 7	L	12, 15, 16				
		2	2, 6	L	01, 02, 06				
7									CHECK, Front Door
	05104335AA	1	3, 7	L	12, 15, 16				Left
	05104338AA	1	2, 6	L	01, 02, 06				Right
		1	2, 6	L	11, 12, 14, 15, 16				Right
		1	2, 6	L	51, 52, 54, 55, 56				Right
		1	3, 7	L	02, 06				Right
		1	3, 7	L	12, 15, 16				Right
		1	2, 6	L	01, 02, 06				Left
		1	2, 6	L	11, 12, 14, 15, 16				Left
		1	2, 6	L	51, 52, 54, 55, 56				Left
		1	3, 7	L	02, 06				Left
8									SCREW
	05103788AA	2	2, 6	L	11, 12, 14, 15, 16				
		2	2, 6	L	51, 52, 54, 55, 56				
		2	3, 7	L	12, 15, 16				
9									BRACKET, Check Arm
	05103667AA	1	2, 6	L	11, 12, 14, 15, 16				
		1	2, 6	L	51, 52, 54, 55, 56				
		1	3, 7	L	12, 15, 16				
10									SEAL, Front Door
	05123750AA	1	3, 7	L	12, 15, 16				

SPRINTER (VA)

SERIES	LINE	BODY	ENGINE	TRANSMISSION
L = LOWLINE	3 = HD DODGE 2WD	12 = Van 140"	EX8 = Engine - 2.7L I5	DGJ = Transmission - 5-Spd Auto, MB
	8 = HD DODGE 4WD	51 = Wagon 118"	Mercedes-Benz TD	
	6 = Lt. Duty DODGE 4WD	52 = Wagon 140"		
	2 = Med. Duty DODGE 2WD	14 = Van 118"		
	7 = Med. Duty DODGE 4WD	15 = Van 140"		
	4 = TRUCK	16 = Van 158"		
		54 = Wagon 118"		
		55 = Wagon 140"		
		56 = Wagon 158"		
		01 = Chassis Forward Control 118"		
		02 = Chassis Forward Control 140"		
		06 = Front Section 158"		
		11 = Van 118"		

AR = use ase required - = Non illustrated part

Door, Front Shell And Hinges
Figure DVA-110



ITEM	PART NUMBER	QTY	LINE	SERIES	BODY	ENGINE	TRANS	TRIM	DESCRIPTION
		1		L	01, 02, 06				
		1	2, 6	L	11, 12, 14, 15, 16				
		1	2, 6	L	51, 52, 54, 55, 56				
11	05127449AA	1	2, 3, 6, 7	L					NUT, Hex, M6
12	05127220AA	1	2, 6	L	11, 12, 14, 15, 16				HINGE, Door, Lower Right
		1	2, 6	L	51, 52, 54, 55, 56				Right
		1	3, 7	L	12, 15, 16				Right
	05127221AA	1	2, 6	L	11, 12, 14, 15, 16				Left
		1	2, 6	L	51, 52, 54, 55, 56				Left
		1	3, 7	L	12, 15, 16				Left
13	05103781AA	2	2, 6	L	51, 52, 54, 55, 56				SCREW
		2	3, 7	L	12, 15, 16				
		2	2, 6	L	11, 12, 14, 15, 16				
14	05125508AA	1	3, 7	L	12, 15, 16				PLUG, Door
		1	2, 6	L	11, 12, 14, 15, 16				
		1	2, 6	L	51, 52, 54, 55, 56				
15	05125514AA	4	2, 6	L	11, 12, 14, 15, 16				PLUG, Expansion
		4	2, 6	L	51, 52, 54, 55, 56				
		4	3, 7	L	12, 15, 16				

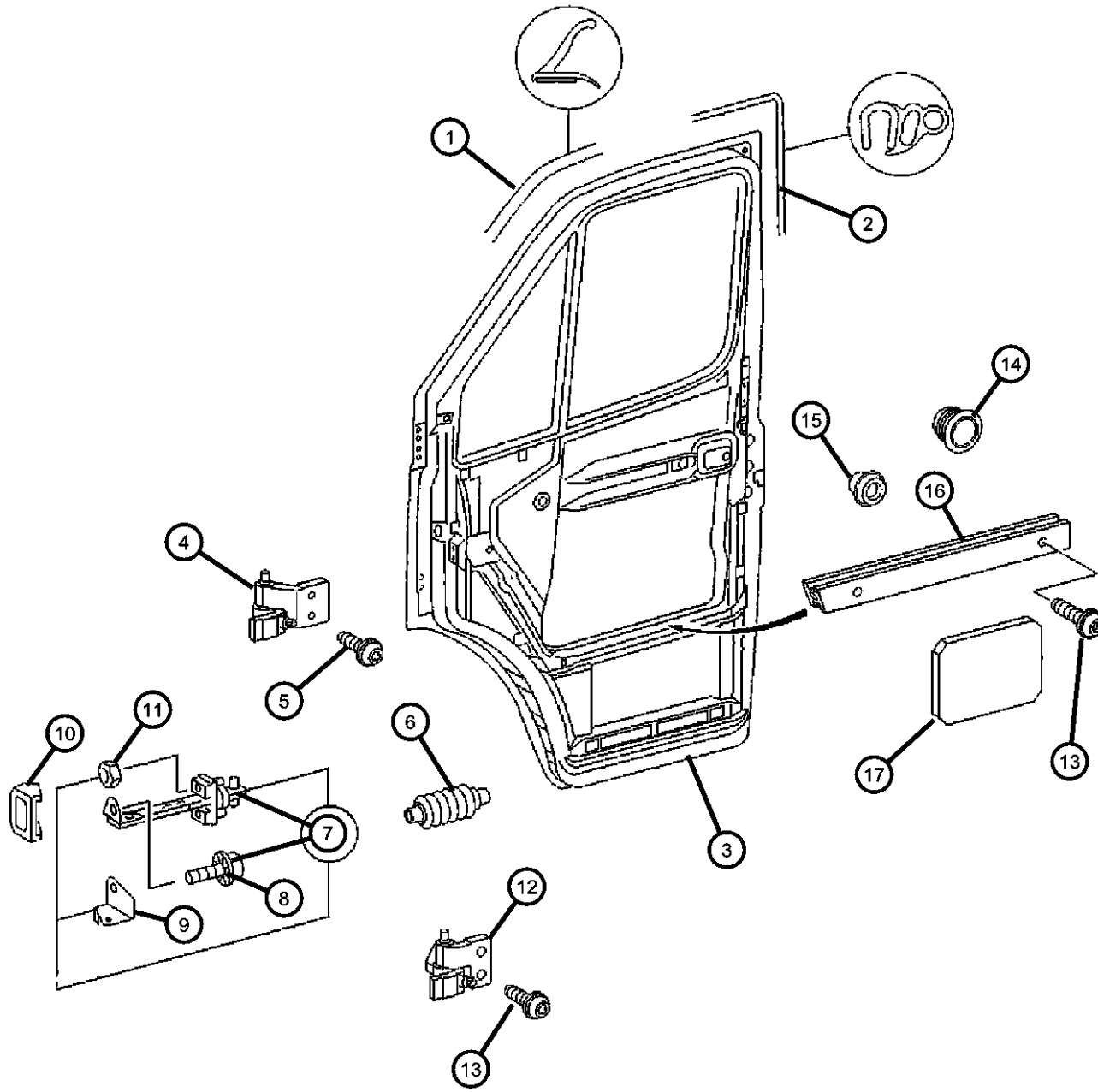
SPRINTER (VA)

SERIES	LINE	BODY	ENGINE	TRANSMISSION
L = LOWLINE	3 = HD DODGE 2WD 8 = HD DODGE 4WD 6 = Lt. Duty DODGE 4WD 2 = Med. Duty DODGE 2WD 7 = Med. Duty DODGE 4WD 4 = TRUCK	12 = Van 140" 51 = Wagon 118" 52 = Wagon 140" 14 = Van 118" 15 = Van 140" 16 = Van 158" 54 = Wagon 118" 55 = Wagon 140" 56 = Wagon 158" 01 = Chassis Forward Control 118" 02 = Chassis Forward Control 140" 06 = Front Section 158" 11 = Van 118"	EX8 = Engine - 2.7L I5 Mercedes-Benz TD	DGJ = Transmission - 5-Spd Auto, MB

AR = use ase required - = Non illustrated part

**Door, Front Shell And Hinges
Figure DVA-110**

ITEM	PART NUMBER	QTY	LINE	SERIES	BODY	ENGINE	TRANS	TRIM	DESCRIPTION
16									REINFORCEMENT, Door Inner
	05123683AA	1	2, 6	L	11, 12, 14, 15, 16				Left
	05123684AA	1	2, 6	L	51, 52, 54, 55, 56				Right
		1	3, 7	L	12, 15, 16				Right
		1	2, 6	L	51, 52, 54, 55, 56				Left
		1	3, 7	L	12, 15, 16				Left
		1	2, 6	L	11, 12, 14, 15, 16				Right
17									SHIELD, Door
	05122515AA	2	2, 6	L	01, 02, 06				
		2	2, 6	L	11, 12, 14, 15, 16				
		2	2, 6	L	51, 52, 54, 55, 56				
		2	3, 7	L	02, 06				
		2	3, 7	L	12, 15, 16				



SPRINTER (VA)

SERIES

L = LOWLINE
3 = HD DODGE 2WD
8 = HD DODGE 4WD
6 = Lt. Duty DODGE 4WD
2 = Med. Duty DODGE 2WD
7 = Med. Duty DODGE 4WD
4 = TRUCK

LINE

3 = HD DODGE 2WD
8 = HD DODGE 4WD
6 = Lt. Duty DODGE 4WD
2 = Med. Duty DODGE 2WD
7 = Med. Duty DODGE 4WD
4 = TRUCK

BODY

12 = Van 140"
51 = Wagon 118"
52 = Wagon 140"
14 = Van 118"
15 = Van 140"
16 = Van 158"
54 = Wagon 118"
55 = Wagon 140"
56 = Wagon 158"
01 = Chassis Forward Control
118"
02 = Chassis Forward Control
140"
06 = Front Section 158"
11 = Van 118"

ENGINE

EX8 = Engine - 2.7L I5
Mercedes-Benz TD

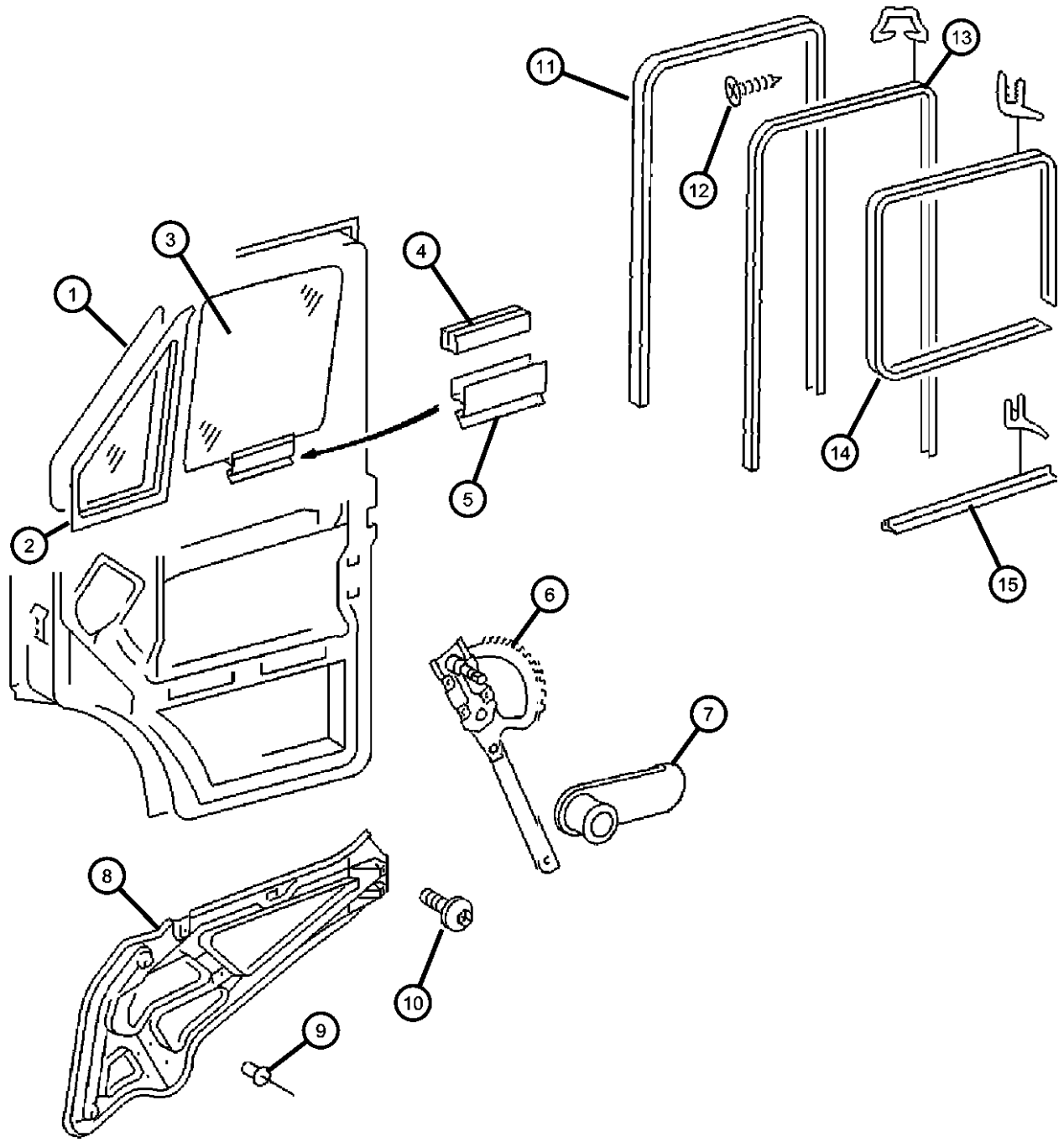
TRANSMISSION

DGJ = Transmission - 5-Spd Auto, MB

AR = use ase required - = Non illustrated part

2005 VA

**Door, Front Glass And Regulator Handle
Figure DVA-120**



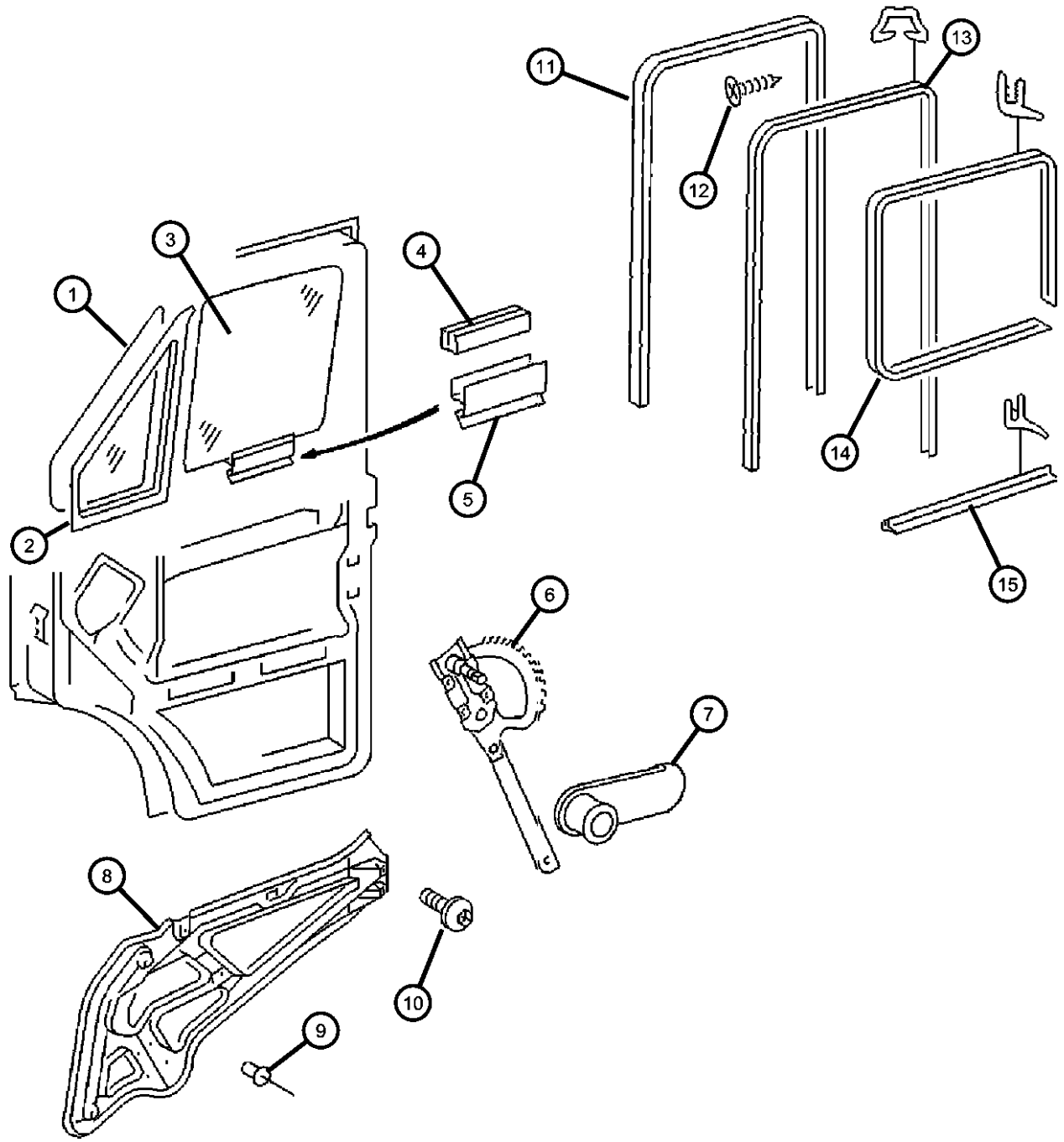
ITEM	PART NUMBER	QTY	LINE	SERIES	BODY	ENGINE	TRANS	TRIM	DESCRIPTION
1									GLASS, Front Door Vent
	05104352AA	1	2, 6	L	51, 52, 54, 55, 56				Left
		1	3, 7	L	02, 06				Left
		1	3, 7	L	12, 15, 16				Left
		1	2, 6	L	01, 02, 06				Left
		1	2, 6	L	11, 12, 14, 15, 16				Left
	05104353AA	1	3, 7	L	02, 06				Right
		1	3, 7	L	12, 15, 16				Right
		1	2, 6	L	01, 02, 06				Right
		1	2, 6	L	11, 12, 14, 15, 16				Right
		1	2, 6	L	51, 52, 54, 55, 56				Right
2									WEATHERSTRIP
	05104348AA	1	2, 6	L	11, 12, 14, 15, 16				Left
		1	2, 6	L	51, 52, 54, 55, 56				Left
		1	3, 7	L	12, 15, 16				Left
	05104350AA	1	2, 6	L	11, 12, 14, 15, 16				Right
		1	2, 6	L	51, 52, 54, 55, 56				Right
		1	3, 7	L	12, 15, 16				Right
3									GLASS, Front Door
	05104334AA	1	2, 6	L	51, 52, 54, 55, 56				Left
		1	3, 7	L	02, 06				Left
		1	3, 7	L	12, 15, 16				Left
		1	2, 6	L	01, 02, 06				Left
		1	2, 6	L	11, 12, 14, 15, 16				Left

SPRINTER (VA)

SERIES	LINE	BODY	ENGINE	TRANSMISSION
L = LOWLINE	3 = HD DODGE 2WD	12 = Van 140"	EX8 = Engine - 2.7L I5	DGJ = Transmission - 5-Spd Auto, MB
	8 = HD DODGE 4WD	51 = Wagon 118"	Mercedes-Benz TD	
	6 = Lt. Duty DODGE 4WD	52 = Wagon 140"		
	2 = Med. Duty DODGE 2WD	14 = Van 118"		
	7 = Med. Duty DODGE 4WD	15 = Van 140"		
	4 = TRUCK	16 = Van 158"		
		54 = Wagon 118"		
		55 = Wagon 140"		
		56 = Wagon 158"		
		01 = Chassis Forward Control		
		118"		
		02 = Chassis Forward Control		
		140"		
		06 = Front Section 158"		
		11 = Van 118"		

AR = use ase required - = Non illustrated part

Door, Front Glass And Regulator Handle
Figure DVA-120



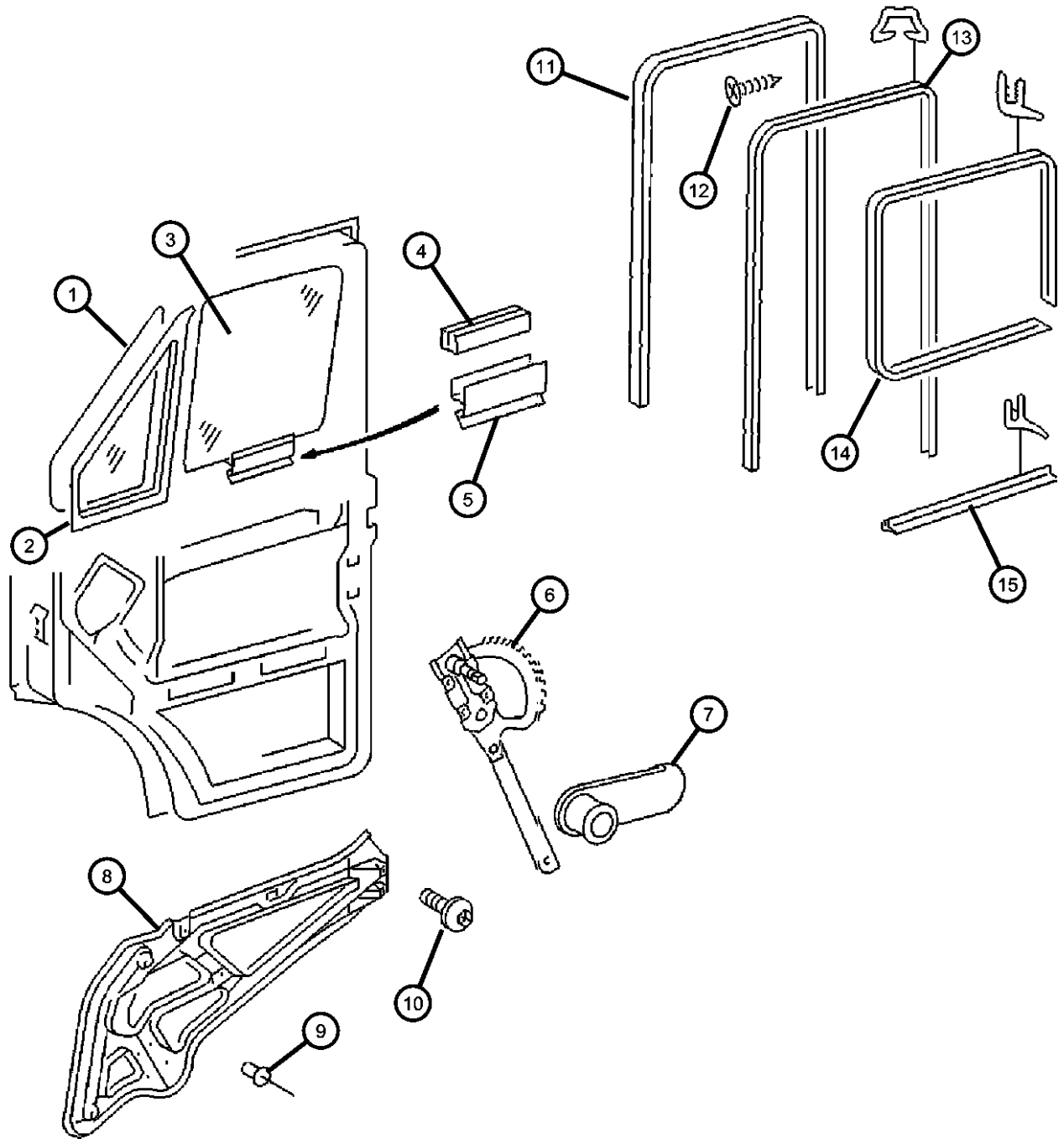
ITEM	PART NUMBER	QTY	LINE	SERIES	BODY	ENGINE	TRANS	TRIM	DESCRIPTION
	05104336AA	1	3, 7	L	12, 15, 16				Right
		1	2, 6	L	01, 02, 06				Right
		1	2, 6	L	11, 12, 14, 15, 16				Right
		1	2, 6	L	51, 52, 54, 55, 56				Right
4		1	3, 7	L	02, 06				Right
	05103783AA	1	2, 6	L	01, 02, 06				WEATHERSTRIP, Glass Channel Run
		1	2, 6	L	11, 12, 14, 15, 16				25 Meters Long
		1	2, 6	L	51, 52, 54, 55, 56				25 Meters Long
		1	3, 7	L	02, 06				25 Meters Long
5		1	3, 7	L	12, 15, 16				25 Meters Long
	05104029AA	1	2, 6	L	01, 02, 06				CHANNEL, Glass Run Lower
		1	2, 6	L	11, 12, 14, 15, 16				
		1	2, 6	L	51, 52, 54, 55, 56				
		1	3, 7	L	02, 06				
6		1	3, 7	L	12, 15, 16				
	05104343AA	1	2, 6	L	51, 52, 54, 55, 56				REGULATOR, Front Door Window
		1	3, 7	L	12, 15, 16				Left
	05104345AA	1	2, 6	L	01, 02, 06				[JPA], Left
		1	2, 6	L	11, 12, 14, 15, 16				[JPA], Left
		1	2, 6	L	11, 12, 14, 15, 16				Left

SPRINTER (VA)

SERIES	LINE	BODY	ENGINE	TRANSMISSION
L = LOWLINE	3 = HD DODGE 2WD 8 = HD DODGE 4WD 6 = Lt. Duty DODGE 4WD 2 = Med. Duty DODGE 2WD 7 = Med. Duty DODGE 4WD 4 = TRUCK	12 = Van 140" 51 = Wagon 118" 52 = Wagon 140" 14 = Van 118" 15 = Van 140" 16 = Van 158" 54 = Wagon 118" 55 = Wagon 140" 56 = Wagon 158"	EX8 = Engine - 2.7L I5 Mercedes-Benz TD	DGJ = Transmission - 5-Spd Auto, MB
		01 = Chassis Forward Control 118"		
		02 = Chassis Forward Control 140"		
		06 = Front Section 158"		
		11 = Van 118"		

AR = use ase required - = Non illustrated part

Door, Front Glass And Regulator Handle
Figure DVA-120



ITEM	PART NUMBER	QTY	LINE	SERIES	BODY	ENGINE	TRANS	TRIM	DESCRIPTION
	05123727AA	1	3, 7	L	12, 15, 16				Right
		1	2, 6	L	51, 52, 54, 55, 56				[JPA], Left
		1	3, 7	L	02, 06				[JPA], Left
		1	3, 7	L	12, 15, 16				[JPA], Left
	05104346AA	1	2, 6	L	01, 02, 06				[JPA], Right
		1	2, 6	L	11, 12, 14, 15, 16				[JPA], Right
		1	2, 6	L	51, 52, 54, 55, 56				[JPA], Right
		1	3, 7	L	02, 06				[JPA], Right
		1	3, 7	L	12, 15, 16				[JPA], Right
		1	2, 6	L	11, 12, 14, 15, 16				Right
		1	2, 6	L	51, 52, 54, 55, 56				Right
7									HANDLE, Window Regulator
	1AR23CSSAA	1	2, 6	L	01, 02, 06				
		1	2, 6	L	11, 12, 14, 15, 16				
		1	2, 6	L	51, 52, 54, 55, 56				
		1	3, 7	L	02, 06				
		1	3, 7	L	12, 15, 16				
8									BRACKET, Door Inside
	05123685AA	1	2, 6	L	11, 12, 14, 15, 16				Left
		1	3, 7	L	12, 15, 16				Left
		1	2, 6	L	51, 52, 54, 55, 56				Left
	05123686AA	1	2, 6	L	11, 12, 14, 15, 16				Right
		1	3, 7	L	12, 15, 16				Right

SPRINTER (VA)

SERIES

L = LOWLINE

LINE

3 = HD DODGE 2WD
 8 = HD DODGE 4WD
 6 = Lt. Duty DODGE 4WD
 2 = Med. Duty DODGE 2WD
 7 = Med. Duty DODGE 4WD
 4 = TRUCK

BODY

12 = Van 140"
 51 = Wagon 118"
 52 = Wagon 140"
 14 = Van 118"
 15 = Van 140"
 16 = Van 158"
 54 = Wagon 118"
 55 = Wagon 140"
 56 = Wagon 158"
 01 = Chassis Forward Control 118"
 02 = Chassis Forward Control 140"
 06 = Front Section 158"
 11 = Van 118"

ENGINE

EX8 = Engine - 2.7L I5
 Mercedes-Benz TD

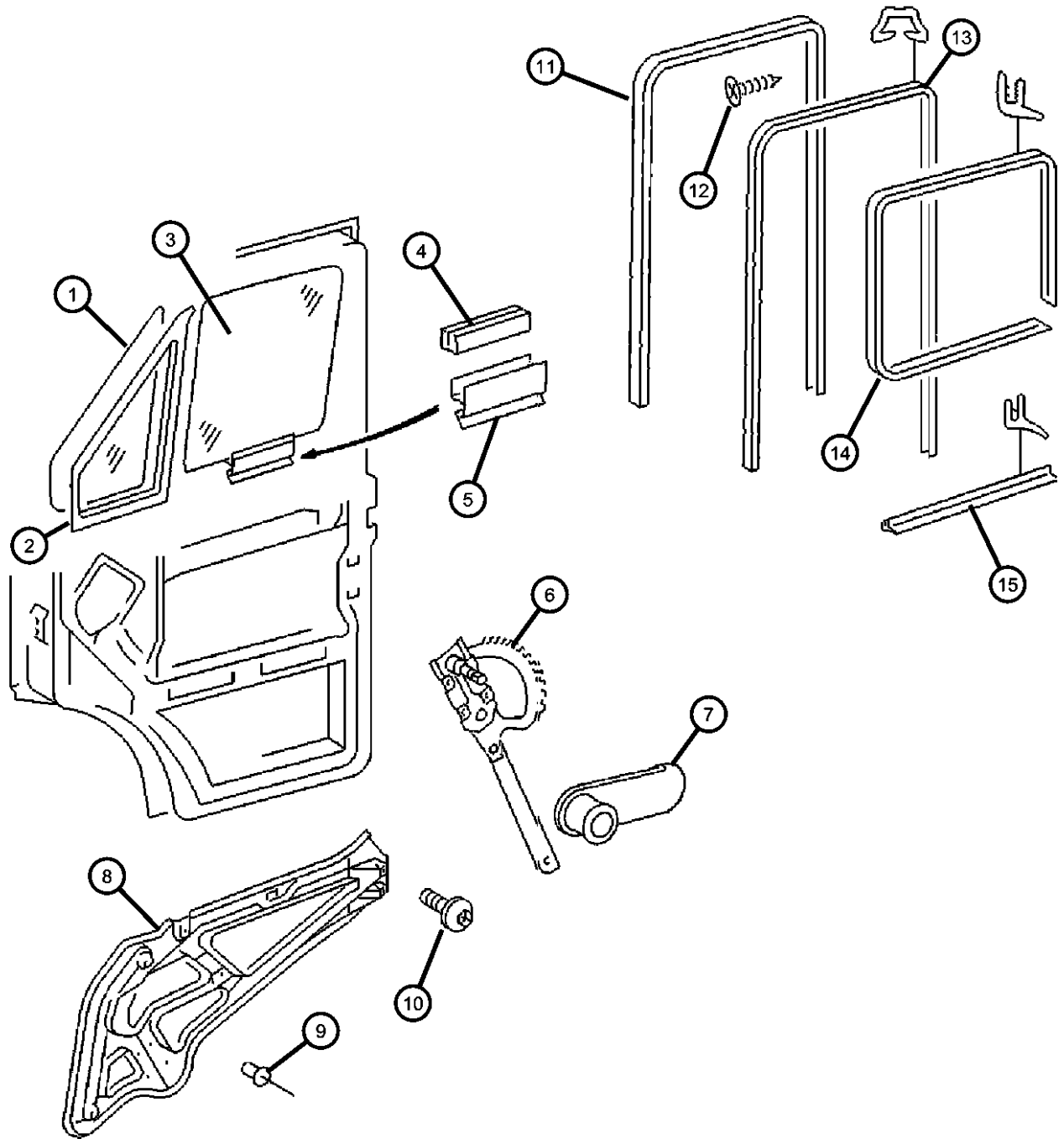
TRANSMISSION

DGJ = Transmission - 5-Spd Auto, MB

AR = use ase required - = Non illustrated part

2005 VA

**Door, Front Glass And Regulator Handle
Figure DVA-120**



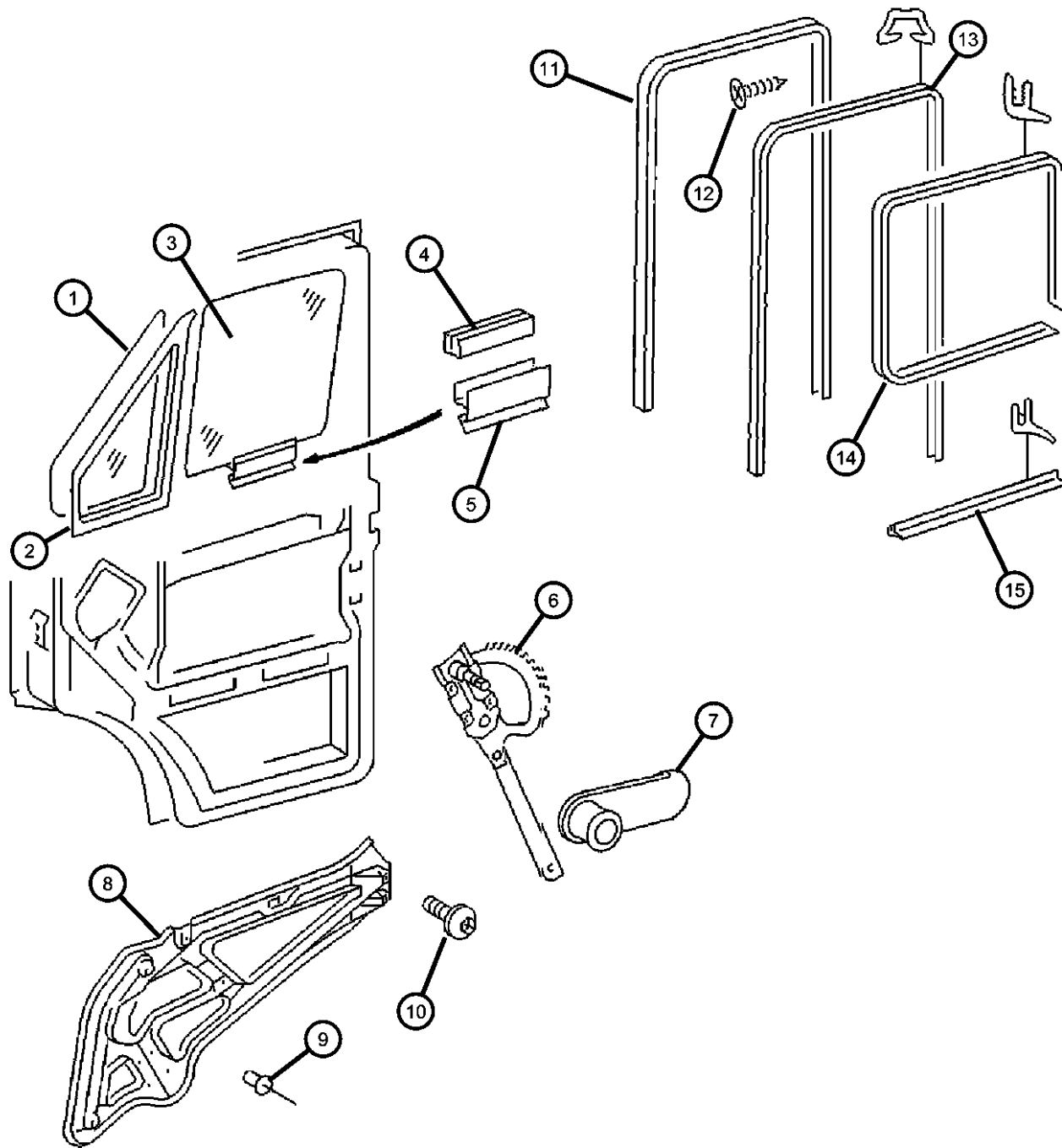
ITEM	PART NUMBER	QTY	LINE	SERIES	BODY	ENGINE	TRANS	TRIM	DESCRIPTION
		1	2, 6	L	51, 52, 54, 55, 56				Right
9	05103838AA	4	2, 6	L	01, 02, 06				RIVET
		4	2, 6	L	11, 12, 14, 15, 16				
		4	2, 6	L	51, 52, 54, 55, 56				
		4	3, 7	L	02, 06				
		4	3, 7	L	12, 15, 16				
10	05125421AA	4	2, 6	L	51, 52, 54, 55, 56				SCREW
		4	2, 6	L	11, 12, 14, 15, 16				
		4	3, 7	L	12, 15, 16				
11	05104351AA	1	3, 7	L	12, 15, 16				FRAME, Door Glass
		1	2, 6	L	11, 12, 14, 15, 16				Right
		1	2, 6	L	51, 52, 54, 55, 56				Right
	05123785AA	1	2, 6	L	11, 12, 14, 15, 16				Left
		1	2, 6	L	51, 52, 54, 55, 56				Left
		1	3, 7	L	12, 15, 16				Left
12	05133513AA	8	2, 6	L	01, 02, 06				SCREW, Tapping
		8	2, 6	L	11, 12, 14, 15, 16				
		8	2, 6	L	51, 52, 54, 55, 56				
		8	3, 7	L	02, 06				

SPRINTER (VA)

SERIES	LINE	BODY	ENGINE	TRANSMISSION
L = LOWLINE	3 = HD DODGE 2WD 8 = HD DODGE 4WD 6 = Lt. Duty DODGE 4WD 2 = Med. Duty DODGE 2WD 7 = Med. Duty DODGE 4WD 4 = TRUCK	12 = Van 140" 51 = Wagon 118" 52 = Wagon 140" 14 = Van 118" 15 = Van 140" 16 = Van 158" 54 = Wagon 118" 55 = Wagon 140" 56 = Wagon 158" 01 = Chassis Forward Control 118" 02 = Chassis Forward Control 140" 06 = Front Section 158" 11 = Van 118"	EX8 = Engine - 2.7L I5 Mercedes-Benz TD	DGJ = Transmission - 5-Spd Auto, MB

AR = use ase required - = Non illustrated part

**Door, Front Glass And Regulator Handle
Figure DVA-120**



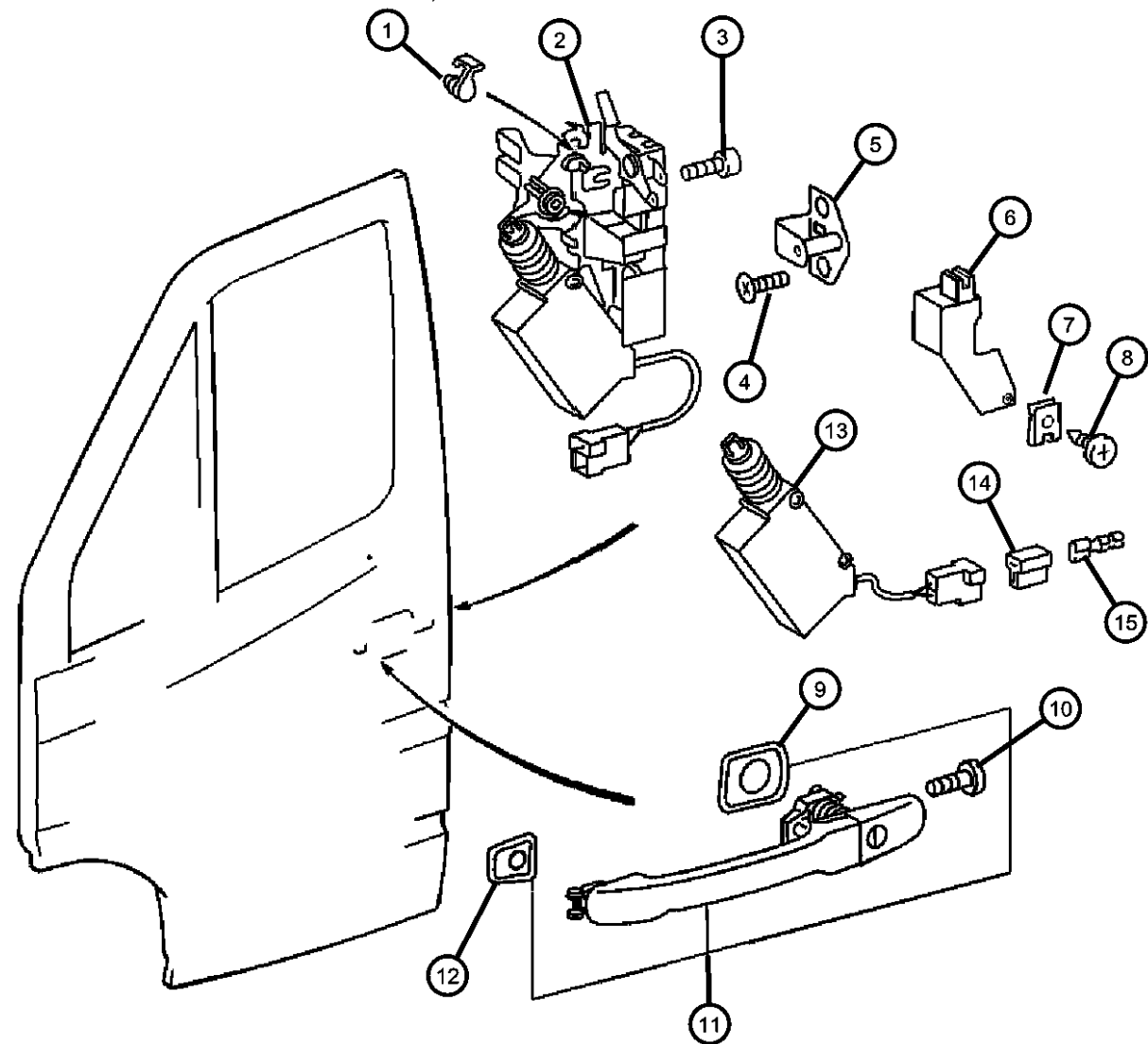
ITEM	PART NUMBER	QTY	LINE	SERIES	BODY	ENGINE	TRANS	TRIM	DESCRIPTION
13		8	3, 7	L	12, 15, 16				WEATHERSTRIP, Glass Channel Run
	05123782AA	1	2, 6	L	11, 12, 14, 15, 16				
		1	2, 6	L	51, 52, 54, 55, 56				
14		1	3, 7	L	12, 15, 16				WEATHERSTRIP, Front Door
	05123780AA	1	2, 6	L	11, 12, 14, 15, 16				
		1	2, 6	L	51, 52, 54, 55, 56				
		1	3, 7	L	12, 15, 16				
15		1	2, 6	L	11, 12, 14, 15, 16				WEATHERSTRIP, Sill Front Secondary
	05123775AA	1	2, 6	L	11, 12, 14, 15, 16				
		1	2, 6	L	51, 52, 54, 55, 56				
		1	3, 7	L	12, 15, 16				

SPRINTER (VA)

SERIES	LINE	BODY	ENGINE	TRANSMISSION
L = LOWLINE	3 = HD DODGE 2WD 8 = HD DODGE 4WD 6 = Lt. Duty DODGE 4WD 2 = Med. Duty DODGE 2WD 7 = Med. Duty DODGE 4WD 4 = TRUCK	12 = Van 140" 51 = Wagon 118" 52 = Wagon 140" 14 = Van 118" 15 = Van 140" 16 = Van 158" 54 = Wagon 118" 55 = Wagon 140" 56 = Wagon 158"	EX8 = Engine - 2.7L I5 Mercedes-Benz TD	DGJ = Transmission - 5-Spd Auto, MB
		01 = Chassis Forward Control 118"		
		02 = Chassis Forward Control 140"		
		06 = Front Section 158"		
		11 = Van 118"		

AR = use ase required - = Non illustrated part

Door, Front Exterior Handle And Links
Figure DVA-130



ITEM	PART NUMBER	QTY	LINE	SERIES	BODY	ENGINE	TRANS	TRIM	DESCRIPTION
1									CONNECTOR, Solenoid
	05103674AA	1	2, 6	L	01, 02, 06				
		1	2, 6	L	11, 12, 14, 15, 16				
		1	2, 6	L	51, 52, 54, 55, 56				
		1	3, 7	L	02, 06				
		1	3, 7	L	12, 15, 16				
2									LATCH, Front Door
	05104337AA	1	2, 6	L	11, 12, 14, 15, 16				Left
		1	2, 6	L	51, 52, 54, 55, 56				Left
		1	3, 7	L	12, 15, 16				Left
	05104341AA	1	2, 6	L	11, 12, 14, 15, 16				Right
		1	2, 6	L	51, 52, 54, 55, 56				Right
		1	3, 7	L	12, 15, 16				Right
3									SCREW
	05103723AA	3	2, 6	L	11, 12, 14, 15, 16				
		3	2, 6	L	51, 52, 54, 55, 56				
		3	3, 7	L	12, 15, 16				
4									SCREW
	05103715AA	2	2, 6	L	11, 12, 14, 15, 16				
		2	2, 6	L	51, 52, 54, 55, 56				
		2	3, 7	L	12, 15, 16				
5									STRIKER
	05104330AA	1	2, 6	L	11, 12, 14, 15, 16				
		1	3, 7	L	12, 15, 16				

SPRINTER (VA)

SERIES

L = LOWLINE

LINE

3 = HD DODGE 2WD
8 = HD DODGE 4WD
6 = Lt. Duty DODGE 4WD
2 = Med. Duty DODGE 2WD
7 = Med. Duty DODGE 4WD
4 = TRUCK

BODY

12 = Van 140"
51 = Wagon 118"
52 = Wagon 140"
14 = Van 118"
15 = Van 140"
16 = Van 158"
54 = Wagon 118"
55 = Wagon 140"
56 = Wagon 158"
01 = Chassis Forward Control 118"
02 = Chassis Forward Control 140"
06 = Front Section 158"
11 = Van 118"

ENGINE

EX8 = Engine - 2.7L I5
Mercedes-Benz TD

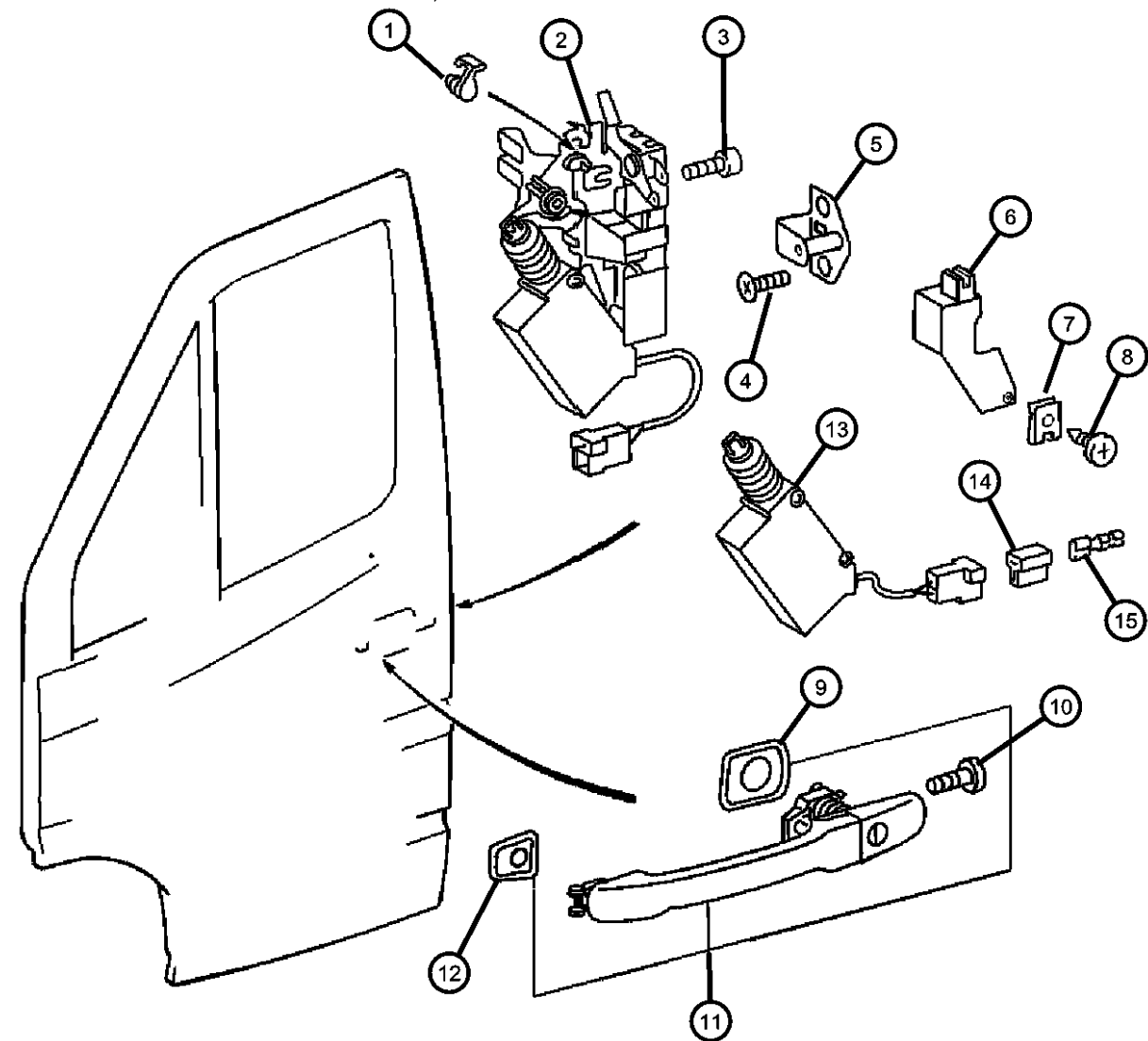
TRANSMISSION

DGJ = Transmission - 5-Spd Auto, MB

AR = use ase required - = Non illustrated part

2005 VA

Door, Front Exterior Handle And Links
Figure DVA-130



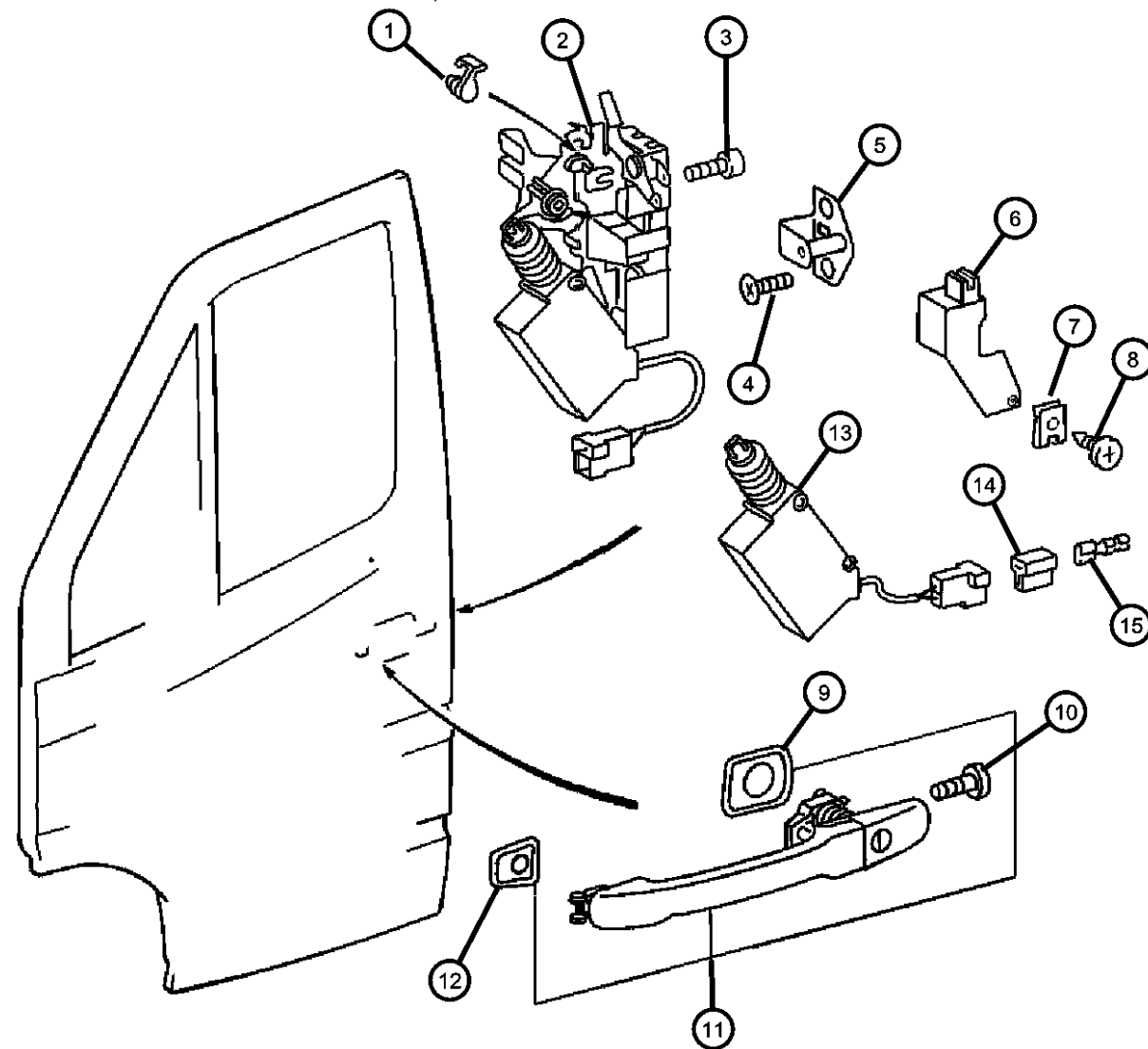
ITEM	PART NUMBER	QTY	LINE	SERIES	BODY	ENGINE	TRANS	TRIM	DESCRIPTION
6	05123764AA	1	2, 6	L	51, 52, 54, 55, 56				COVER, Lock Housing
7	05125858AA	1	2, 6	L	11, 12, 14, 15, 16				CLIP, U Type
8	05126095AA	6	2, 6	L	11, 12, 14, 15, 16				SCREW, Tapping
9	05103673AA	1	2, 6	L	11, 12, 14, 15, 16				PAD
10	05125414AA	1	2, 6	L	11, 12, 14, 15, 16				SCREW, Front Door Handle
11	05124094AA	1	2, 6	L	11, 12, 14, 15, 16				HANDLE, Front Door Right & Left
12		1	2, 6	L	51, 52, 54, 55, 56				Right & Left
		1	3, 7	L	12, 15, 16				Right & Left PAD

SPRINTER (VA)

SERIES	LINE	BODY	ENGINE	TRANSMISSION
L = LOWLINE	3 = HD DODGE 2WD	12 = Van 140"	EX8 = Engine - 2.7L I5	DGJ = Transmission - 5-Spd Auto, MB
	8 = HD DODGE 4WD	51 = Wagon 118"	Mercedes-Benz TD	
	6 = Lt. Duty DODGE 4WD	52 = Wagon 140"		
	2 = Med. Duty DODGE 2WD	14 = Van 118"		
	7 = Med. Duty DODGE 4WD	15 = Van 140"		
	4 = TRUCK	16 = Van 158"		
		54 = Wagon 118"		
		55 = Wagon 140"		
		56 = Wagon 158"		
		01 = Chassis Forward Control 118"		
		02 = Chassis Forward Control 140"		
		06 = Front Section 158"		
		11 = Van 118"		

AR = use ase required - = Non illustrated part

Door, Front Exterior Handle And Links
Figure DVA-130



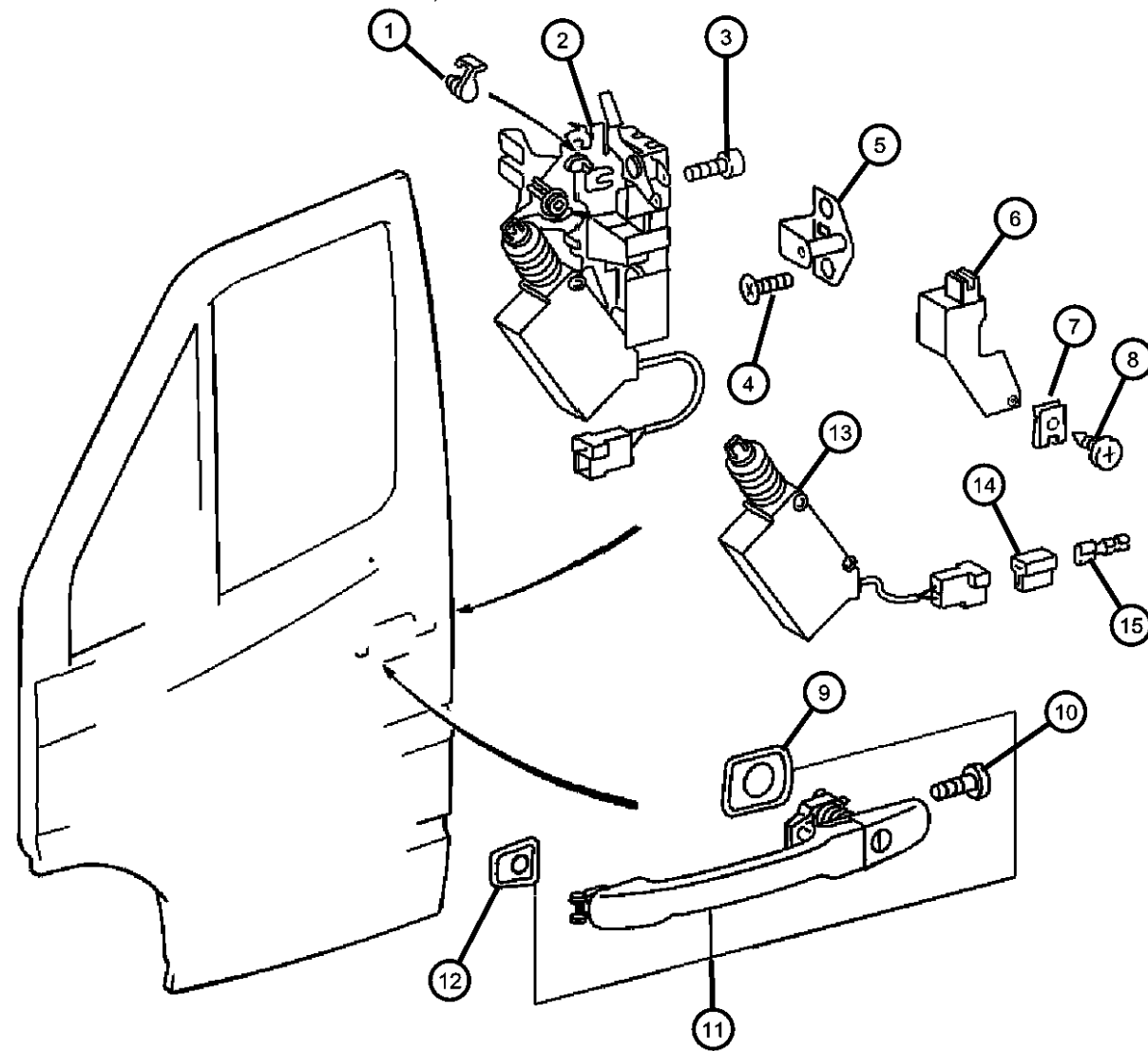
ITEM	PART NUMBER	QTY	LINE	SERIES	BODY	ENGINE	TRANS	TRIM	DESCRIPTION
	05103672AA	1	2, 6	L	11, 12, 14, 15, 16				
		1	2, 6	L	51, 52, 54, 55, 56				
		1	3, 7	L	12, 15, 16				
13	05133510AA	1	2, 6	L	01, 02, 06				ACTUATOR, Power Door Lock
		1	2, 6	L	51, 52, 54, 55, 56				Without Convenience Locking System, Right
		1	3, 7	L	02, 06				Without Convenience Locking System, Right
		1	3, 7	L	12, 15, 16				Without Convenience Locking System, Right
	05133511AA	1	2, 6	L	01, 02, 06				Without Convenience Locking System, Left
		1	2, 6	L	11, 12, 14, 15, 16				Without Convenience Locking System, Left
		1	2, 6	L	51, 52, 54, 55, 56				Without Convenience Locking System, Left
		1	3, 7	L	02, 06				Without Convenience Locking System, Left
		1	3, 7	L	12, 15, 16				Without Convenience Locking System, Left
	05133512AA	1	2, 6	L	01, 02, 06				With Convenience Locking System, Right
		1	2, 6	L	11, 12, 14, 15, 16				With Convenience Locking System, Right
		1	2, 6	L	11, 12, 14, 15, 16				Without Convenience Locking System, Right
	05133986AA	1	2, 6	L	01, 02, 06				With Convenience Locking System, Left
		1	2, 6	L	11, 12, 14, 15, 16				With Convenience Locking System, Left
		1	2, 6	L	51, 52, 54, 55, 56				With Convenience Locking System, Left
		1	7, 3	L	02, 06				With Convenience Locking System, Left

SPRINTER (VA)

SERIES	LINE	BODY	ENGINE	TRANSMISSION
L = LOWLINE	3 = HD DODGE 2WD 8 = HD DODGE 4WD 6 = Lt. Duty DODGE 4WD 2 = Med. Duty DODGE 2WD 7 = Med. Duty DODGE 4WD 4 = TRUCK	12 = Van 140" 51 = Wagon 118" 52 = Wagon 140" 14 = Van 118" 15 = Van 140" 16 = Van 158" 54 = Wagon 118" 55 = Wagon 140" 56 = Wagon 158" 01 = Chassis Forward Control 118" 02 = Chassis Forward Control 140" 06 = Front Section 158" 11 = Van 118"	EX8 = Engine - 2.7L I5 Mercedes-Benz TD	DGJ = Transmission - 5-Spd Auto, MB

AR = use ase required - = Non illustrated part

Door, Front Exterior Handle And Links
Figure DVA-130



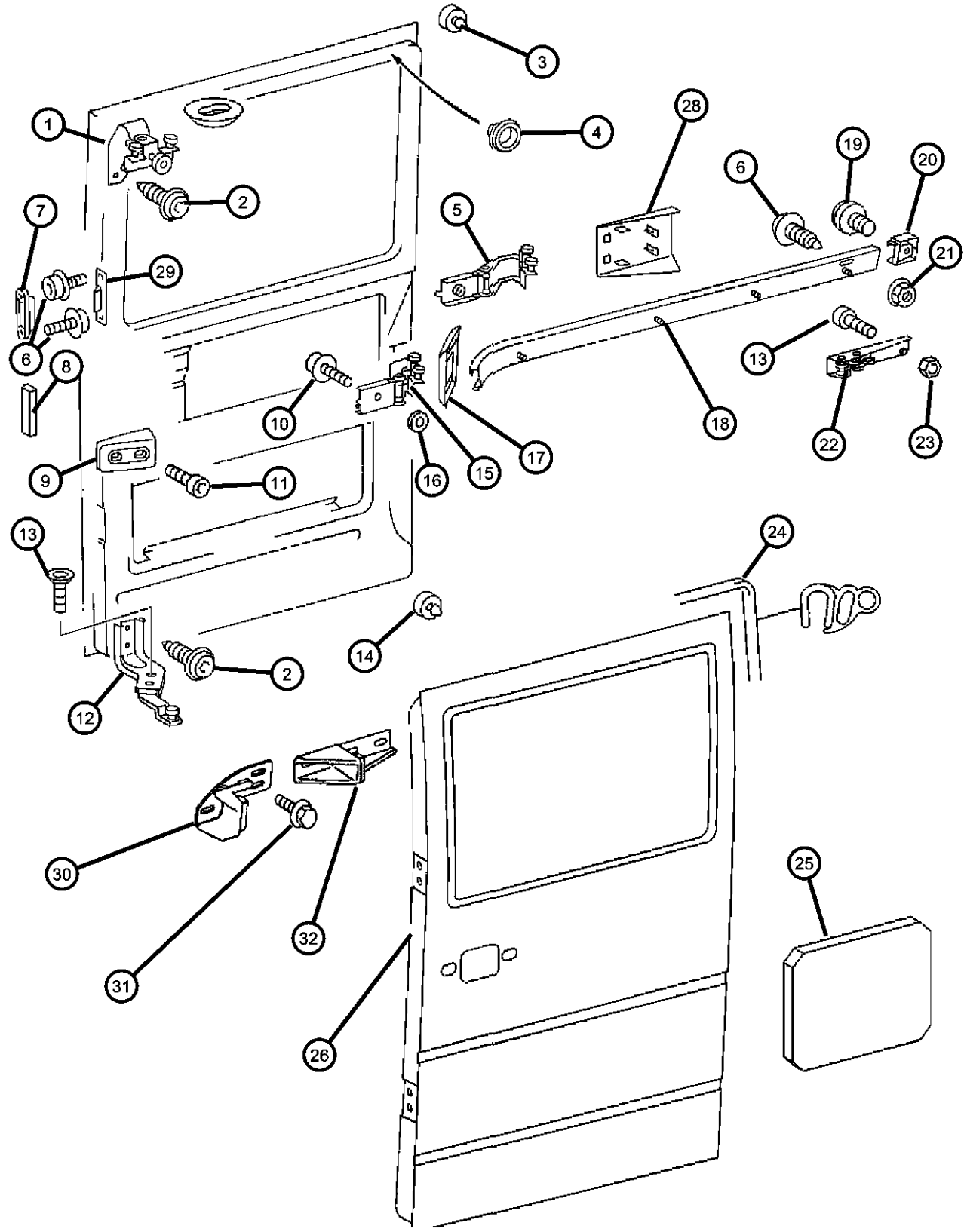
ITEM	PART NUMBER	QTY	LINE	SERIES	BODY	ENGINE	TRANS	TRIM	DESCRIPTION
		1	3, 7	L	12, 15, 16				With Convenience Locking System, Left
		1	2, 6	L	51, 52, 54, 55, 56				With Convenience Locking System, Right
		1	3, 7	L	02, 06				With Convenience Locking System, Right
		1	3, 7	L	12, 15, 16				With Convenience Locking System, Right
14	05103754AA	1	2, 6	L	01, 02, 06				INSULATOR, 2 Way Female
		1	2, 6	L	51, 52, 54, 55, 56				
		1	3, 7	L	02, 06				
		1	2, 6	L	11, 12, 14, 15, 16				
15	05114451AA	99	2, 6	L	01, 02, 06				TERMINAL, Female
		99	2, 6	L	11, 12, 14, 15, 16				
		99	3, 7	L	02, 06				
		99	3, 7	L	12, 15, 16				
		99	2, 6	L	51, 52, 54, 55, 56				

SPRINTER (VA)

SERIES	LINE	BODY	ENGINE	TRANSMISSION
L = LOWLINE	3 = HD DODGE 2WD	12 = Van 140"	EX8 = Engine - 2.7L I5	DGJ = Transmission - 5-Spd Auto, MB
	8 = HD DODGE 4WD	51 = Wagon 118"	Mercedes-Benz TD	
	6 = Lt. Duty DODGE 4WD	52 = Wagon 140"		
	2 = Med. Duty DODGE 2WD	14 = Van 118"		
	7 = Med. Duty DODGE 4WD	15 = Van 140"		
	4 = TRUCK	16 = Van 158"		
		54 = Wagon 118"		
		55 = Wagon 140"		
		56 = Wagon 158"		
		01 = Chassis Forward Control 118"		
		02 = Chassis Forward Control 140"		
		06 = Front Section 158"		
		11 = Van 118"		

AR = use ase required - = Non illustrated part

Door, Sliding Cargo Shell and Hinges
Figure DVA-310



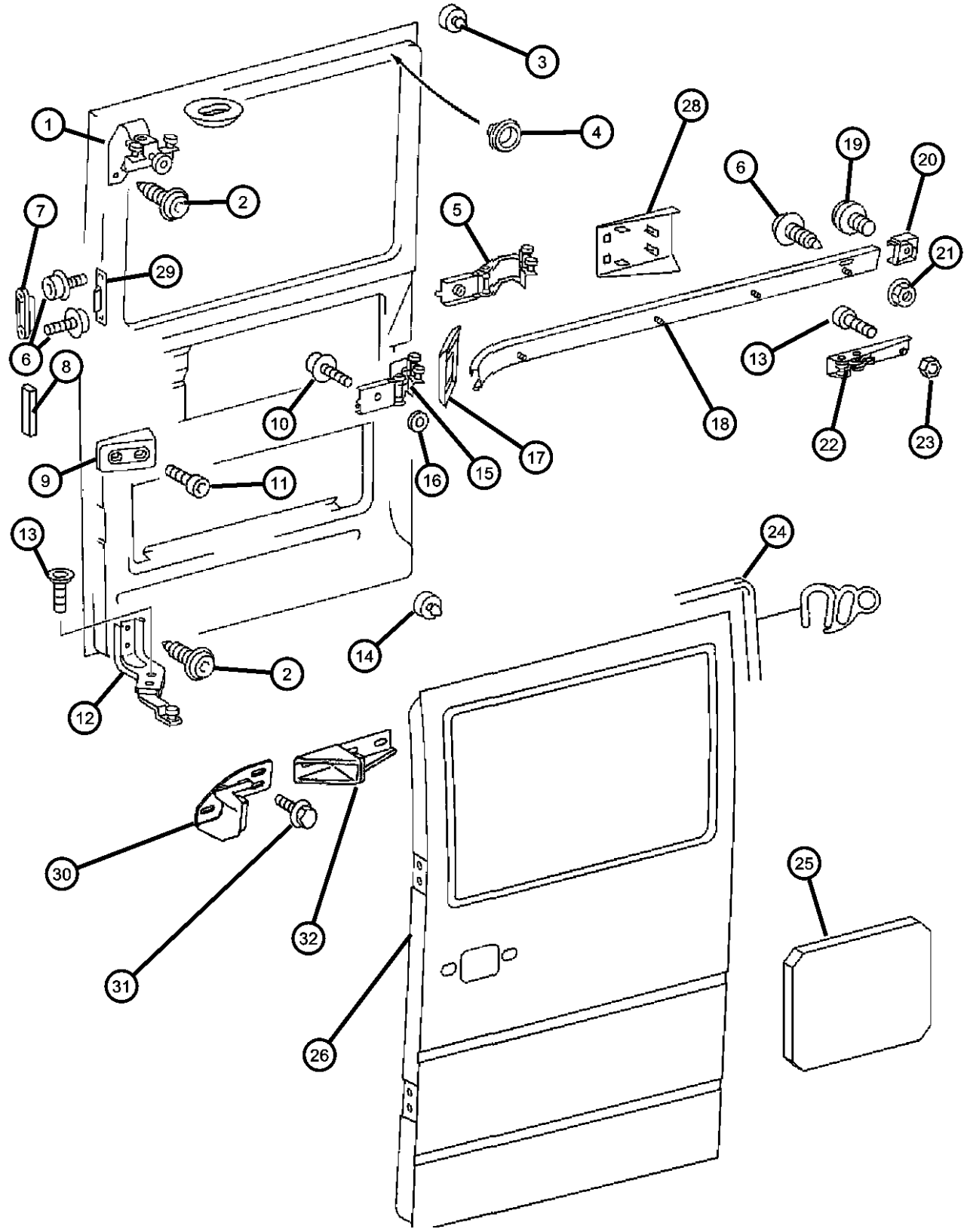
ITEM	PART NUMBER	QTY	LINE	SERIES	BODY	ENGINE	TRANS	TRIM	DESCRIPTION
1	05103589AA	1	2, 6	L	15, 16, 11, 12, 14				SLIDER, Body Hardware Right
		1	2, 6	L	51, 52, 54, 55, 56				Right
	05124089AA	1	3, 7	L	12, 15, 16				Right
		1	2, 6	L	11, 12, 14, 15, 16				Left
		1	2, 6	L	51, 52, 54, 55, 56				Left
		1	3, 7	L	12, 15, 16				Left
2									SCREW
	05104610AA	2	2, 6	L	51, 52, 54, 55, 56				
		2	2, 6	L	11, 12, 14, 15, 16				
		2	3, 7	L	12, 15, 16				
3									BUMPER, Sliding Door Center Track
	05103918AA	1	2, 6	L	11, 12, 14, 15, 16				Upper
		1	2, 6	L	51, 52, 54, 55, 56				Upper
		1	3, 7	L	12, 15, 16				Upper
4									PLUG, Expansion
	05125514AA	2	2, 6	L	11, 12, 14, 15, 16				
		2	2, 6	L	55, 56, 51, 52, 54				
		2	3, 7	L	12, 15, 16				
5	05103607AA	1	2, 6	L	11, 12, 14, 15, 16				SLIDER, Body Hardware, Body Side
6									SCREW
	05103714AA	1	2, 6	L	51, 52, 54, 55, 56				
		1	2, 6	L	11, 12, 14, 15, 16				

SPRINTER (VA)

SERIES	LINE	BODY	ENGINE	TRANSMISSION
L = LOWLINE	3 = HD DODGE 2WD 8 = HD DODGE 4WD 6 = Lt. Duty DODGE 4WD 2 = Med. Duty DODGE 2WD 7 = Med. Duty DODGE 4WD 4 = TRUCK	12 = Van 140" 51 = Wagon 118" 52 = Wagon 140" 14 = Van 118" 15 = Van 140" 16 = Van 158" 54 = Wagon 118" 55 = Wagon 140" 56 = Wagon 158" 01 = Chassis Forward Control 118" 02 = Chassis Forward Control 140" 06 = Front Section 158" 11 = Van 118"	EX8 = Engine - 2.7L I5 Mercedes-Benz TD	DGJ = Transmission - 5-Spd Auto, MB

AR = use ase required - = Non illustrated part

Door, Sliding Cargo Shell and Hinges
Figure DVA-310



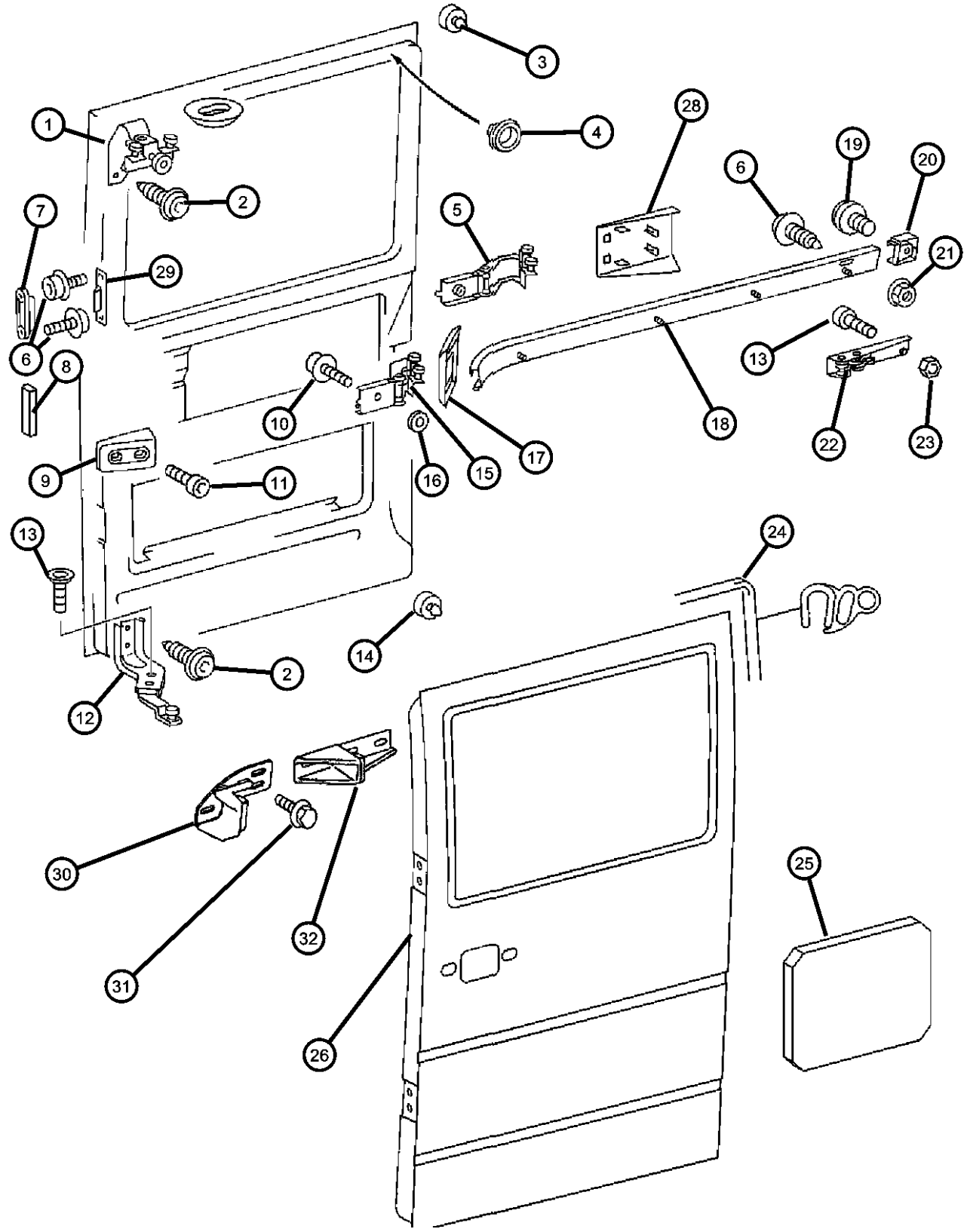
ITEM	PART NUMBER	QTY	LINE	SERIES	BODY	ENGINE	TRANS	TRIM	DESCRIPTION
7		1	3, 7	L	12, 15, 16				STABILIZER, Sliding Door
	05104429AA	2	2, 6	L	11, 12, 14, 15, 16				
		2	2, 6	L	51, 52, 54, 55, 56				
8		2	3, 7	L	12, 15, 16				BUMPER, Rubber
	05104427AA	2	2, 6	L	11, 12, 14, 15, 16				
		2	2, 6	L	51, 52, 54, 55, 56				
9		2	3, 7	L	12, 15, 16				BUMPER, Rubber
	05104411AA	1	2, 6	L	11, 12, 14, 15, 16				Left
		1	2, 6	L	51, 52, 54, 55, 56				Left
		1	3, 7	L	12, 15, 16				Left
10									SCREW, Torx Head, M6x1.00x16.00
	05126337AA	1	2, 6	L	11, 12, 14, 15, 16				Left
		1	2, 6	L	11, 12, 14, 15, 16				Right
		1	2, 6	L	51, 52, 54, 55, 56				Left
		1	2, 6	L	51, 52, 54, 55, 56				Right
		1	3, 7	L	12, 15, 16				Left
		1	3, 7	L	12, 15, 16				Right
11									SCREW
	05114443AA	2	2, 6	L	11, 12, 14, 15, 16				

SPRINTER (VA)

SERIES	LINE	BODY	ENGINE	TRANSMISSION
L = LOWLINE	3 = HD DODGE 2WD 8 = HD DODGE 4WD 6 = Lt. Duty DODGE 4WD 2 = Med. Duty DODGE 2WD 7 = Med. Duty DODGE 4WD 4 = TRUCK	12 = Van 140" 51 = Wagon 118" 52 = Wagon 140" 14 = Van 118" 15 = Van 140" 16 = Van 158" 54 = Wagon 118" 55 = Wagon 140" 56 = Wagon 158" 01 = Chassis Forward Control 118" 02 = Chassis Forward Control 140" 06 = Front Section 158" 11 = Van 118"	EX8 = Engine - 2.7L I5 Mercedes-Benz TD	DGJ = Transmission - 5-Spd Auto, MB

AR = use ase required - = Non illustrated part

Door, Sliding Cargo Shell and Hinges
Figure DVA-310



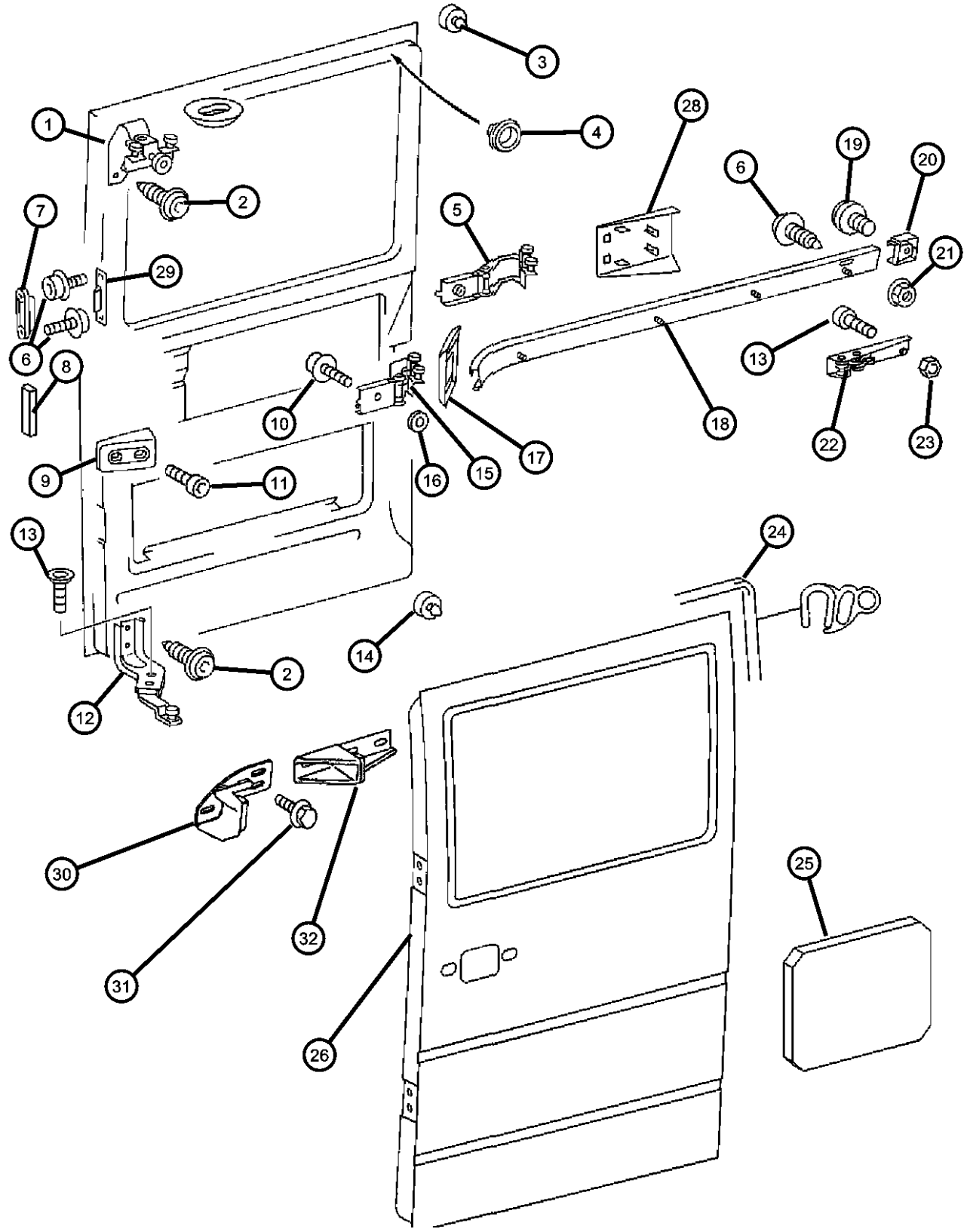
ITEM	PART NUMBER	QTY	LINE	SERIES	BODY	ENGINE	TRANS	TRIM	DESCRIPTION
		2	2, 6	L	51, 52, 54, 55, 56				
		2	3, 7	L	12, 15, 16				
12	05103588AA	1	2, 6	L	11, 12, 14, 15, 16				SLIDER, Body Hardware Right
		1	2, 6	L	51, 52, 54, 55, 56				Right
	05124080AA	1	7, 3	L	12, 15, 16				Right
		1	2, 6	L	11, 12, 14, 15, 16				Left
		1	2, 6	L	51, 52, 54, 55, 56				Left
		1	3, 7	L	12, 15, 16				Left
13	05133540AA	1	2, 6	L	11, 12, 14, 15, 16				SCREW
		1	2, 6	L	51, 52, 54, 55, 56				
		1	3, 7	L	12, 15, 16				
14	05103813AA	1	2, 6	L	11, 12, 14, 15, 16				BUMPER, Sliding Door Center Track
		1	2, 6	L	51, 52, 54, 55, 56				
		1	3, 7	L	12, 15, 16				
15	05103590AA	1	2, 6	L	11, 12, 14, 15, 16				SLIDER, Body Hardware Door Side, Right
		1	2, 6	L	51, 52, 54, 55, 56				Door Side, Right
	05124087AA	1	2, 6	L	11, 12, 14, 15, 16				Door Side, Left
		1	2, 6	L	51, 52, 54, 55, 56				Door Side, Left

SPRINTER (VA)

SERIES	LINE	BODY	ENGINE	TRANSMISSION
L = LOWLINE	3 = HD DODGE 2WD 8 = HD DODGE 4WD 6 = Lt. Duty DODGE 4WD 2 = Med. Duty DODGE 2WD 7 = Med. Duty DODGE 4WD 4 = TRUCK	12 = Van 140" 51 = Wagon 118" 52 = Wagon 140" 14 = Van 118" 15 = Van 140" 16 = Van 158" 54 = Wagon 118" 55 = Wagon 140" 56 = Wagon 158" 01 = Chassis Forward Control 118" 02 = Chassis Forward Control 140" 06 = Front Section 158" 11 = Van 118"	EX8 = Engine - 2.7L I5 Mercedes-Benz TD	DGJ = Transmission - 5-Spd Auto, MB

AR = use ase required - = Non illustrated part

Door, Sliding Cargo Shell and Hinges
Figure DVA-310



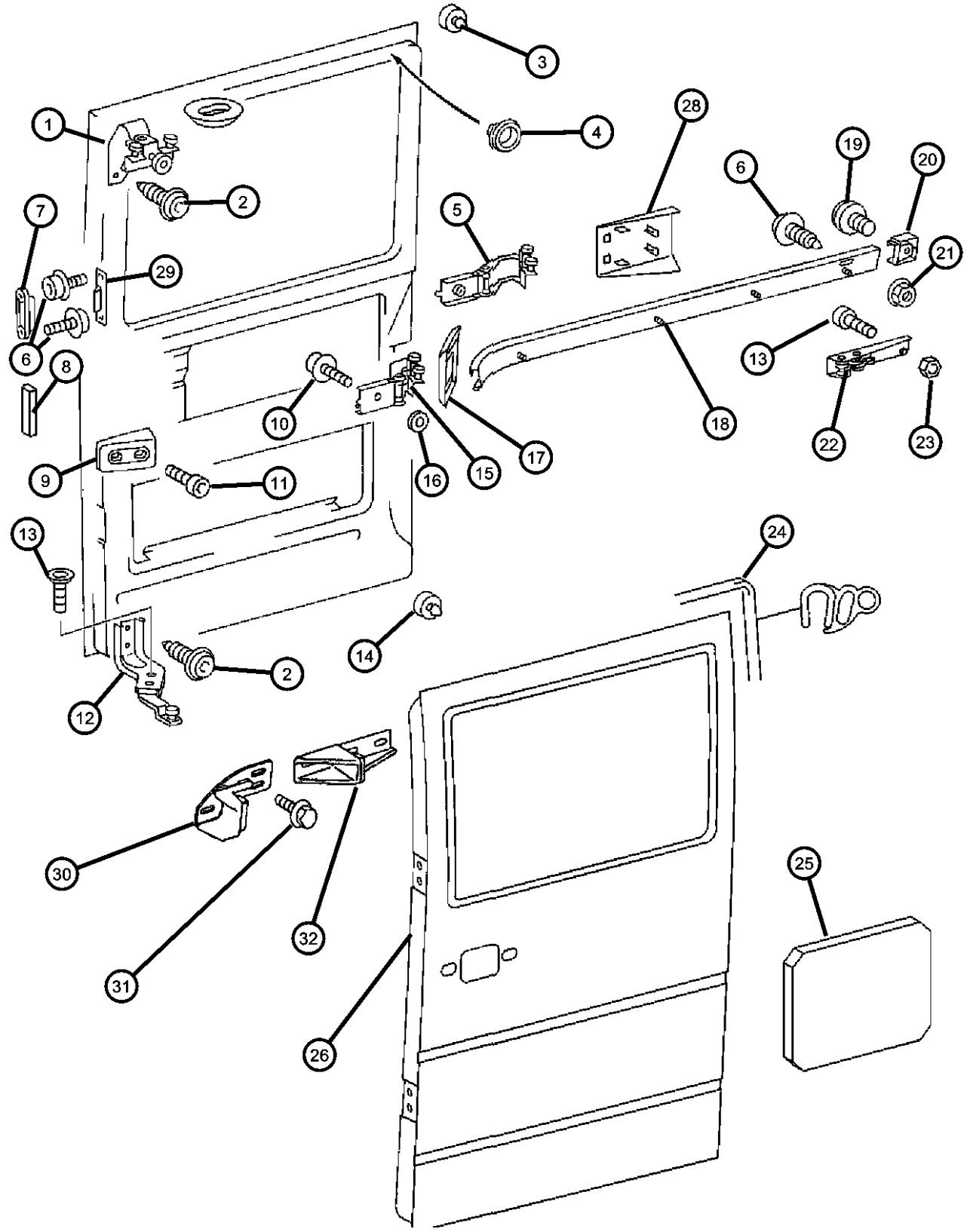
ITEM	PART NUMBER	QTY	LINE	SERIES	BODY	ENGINE	TRANS	TRIM	DESCRIPTION
16	05133526AA	1	2, 6	L	11, 12, 14, 15, 16				WASHER
17	05104426AA	1	2, 6	L	51, 52, 54, 55, 56				SEAL, Door
18	05104418AA	1	3, 7	L	12, 15, 16				RAIL, Slider Door Right
	05124076AA	1	2, 6	L	11, 12, 14, 15, 16				Left
		1	2, 6	L	51, 52, 54, 55, 56				Left
		1	3, 7	L	12, 15, 16				Left
		1	2, 6	L	16, 11, 12, 14, 15				Right
		1	2, 6	L	51, 52, 54, 55, 56				Right
19	05126103AA	2	2, 6	L	11, 12, 14, 15, 16				SCREW
		2	2, 6	L	51, 52, 54, 55, 56				
		2	3, 7	L	12, 15, 16				
20	05104431AA	1	2, 6	L	51, 52, 54, 55, 56				CAP, Rail Right
		1	3, 7	L	12, 15, 16				Right
	05124105AA	1	2, 6	L	11, 12, 14, 15, 16				Left
		1	2, 6	L	51, 52, 54, 55, 56				Left

SPRINTER (VA)

SERIES	LINE	BODY	ENGINE	TRANSMISSION
L = LOWLINE	3 = HD DODGE 2WD 8 = HD DODGE 4WD 6 = Lt. Duty DODGE 4WD 2 = Med. Duty DODGE 2WD 7 = Med. Duty DODGE 4WD 4 = TRUCK	12 = Van 140" 51 = Wagon 118" 52 = Wagon 140" 14 = Van 118" 15 = Van 140" 16 = Van 158" 54 = Wagon 118" 55 = Wagon 140" 56 = Wagon 158"	EX8 = Engine - 2.7L I5 Mercedes-Benz TD	DGJ = Transmission - 5-Spd Auto, MB
		01 = Chassis Forward Control 118"		
		02 = Chassis Forward Control 140"		
		06 = Front Section 158"		
		11 = Van 118"		

AR = use ase required - = Non illustrated part

Door, Sliding Cargo Shell and Hinges
Figure DVA-310



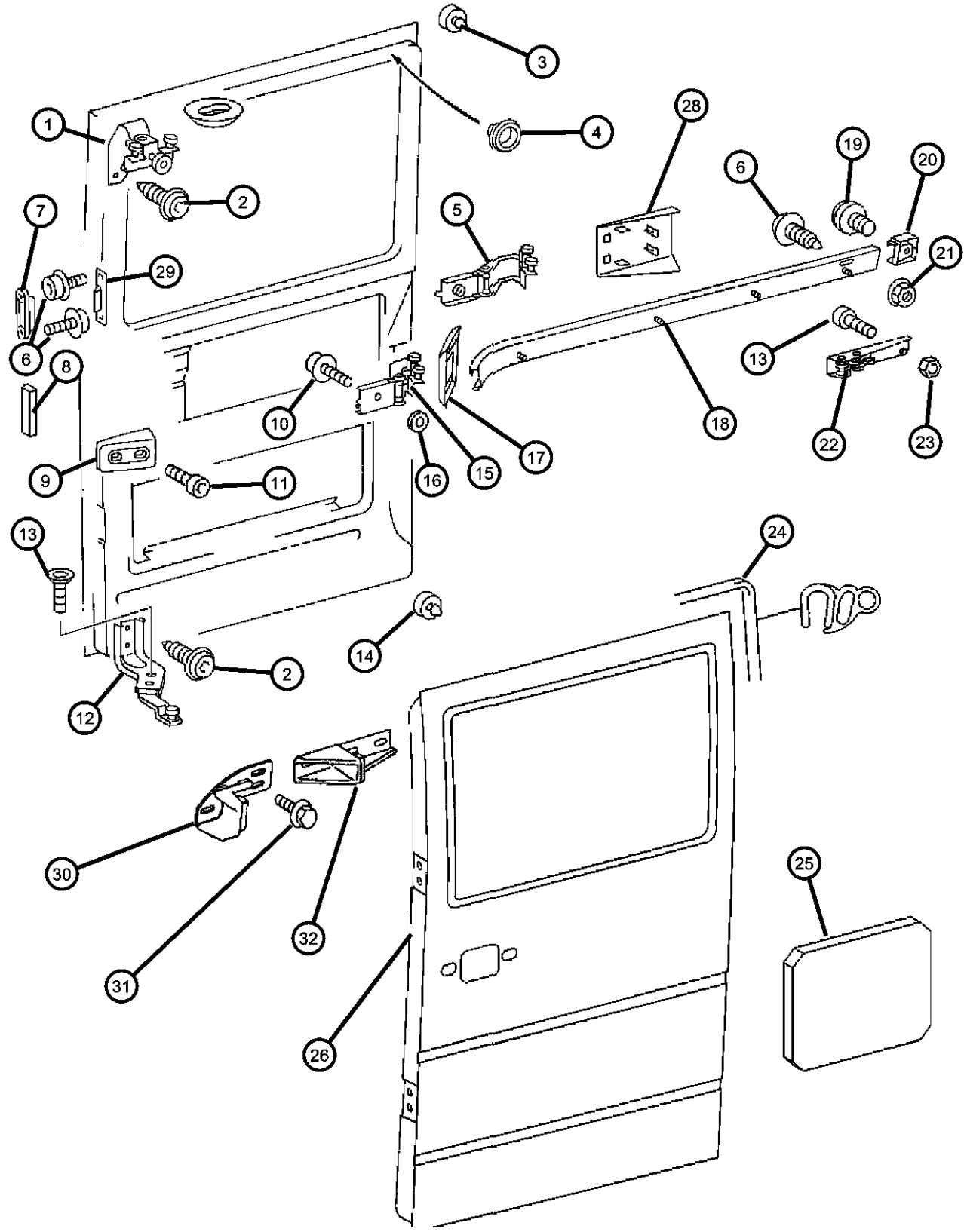
ITEM	PART NUMBER	QTY	LINE	SERIES	BODY	ENGINE	TRANS	TRIM	DESCRIPTION
		1	2, 6	L	11, 12, 14, 15, 16				Right
		1	3, 7	L	12, 15, 16				Left
21									NUT, M6x1.00
	05127449AA	4	2, 6	L	11, 12, 14, 15, 16				
		4	3, 7	L	12, 15, 16				
		4	2, 6	L	51, 52, 54, 55, 56				
22									ADJUSTER, Cargo Door
	05104412AA	1	2, 6	L	11, 12, 14, 15, 16				Right
		1	2, 6	L	51, 52, 54, 55, 56				Right
		1	3, 7	L	12, 15, 16				Right
	05124099AA	1	2, 6	L	11, 12, 14, 15, 16				Left
		1	2, 6	L	51, 52, 54, 55, 56				Left
		1	3, 7	L	12, 15, 16				Left
23									NUT
	05133541AA	2	2, 6	L	51, 52, 54, 55, 56				
		2	3, 7	L	12, 15, 16				
		2	2, 6	L	14, 15, 16, 11, 12				
24									WEATHERSTRIP, Cargo Door
	05104302AA	1	2, 6	L	11, 12, 14, 15, 16				
		1	2, 6	L	51, 52, 54, 55, 56				
		1	3, 7	L	12, 15, 16				
25									SILENCER, Door
	05122517AA	2	3, 7	L	12, 15, 16				

SPRINTER (VA)

SERIES	LINE	BODY	ENGINE	TRANSMISSION
L = LOWLINE	3 = HD DODGE 2WD 8 = HD DODGE 4WD 6 = Lt. Duty DODGE 4WD 2 = Med. Duty DODGE 2WD 7 = Med. Duty DODGE 4WD 4 = TRUCK	12 = Van 140" 51 = Wagon 118" 52 = Wagon 140" 14 = Van 118" 15 = Van 140" 16 = Van 158" 54 = Wagon 118" 55 = Wagon 140" 56 = Wagon 158" 01 = Chassis Forward Control 118" 02 = Chassis Forward Control 140" 06 = Front Section 158" 11 = Van 118"	EX8 = Engine - 2.7L I5 Mercedes-Benz TD	DGJ = Transmission - 5-Spd Auto, MB

AR = use ase required - = Non illustrated part

Door, Sliding Cargo Shell and Hinges
Figure DVA-310



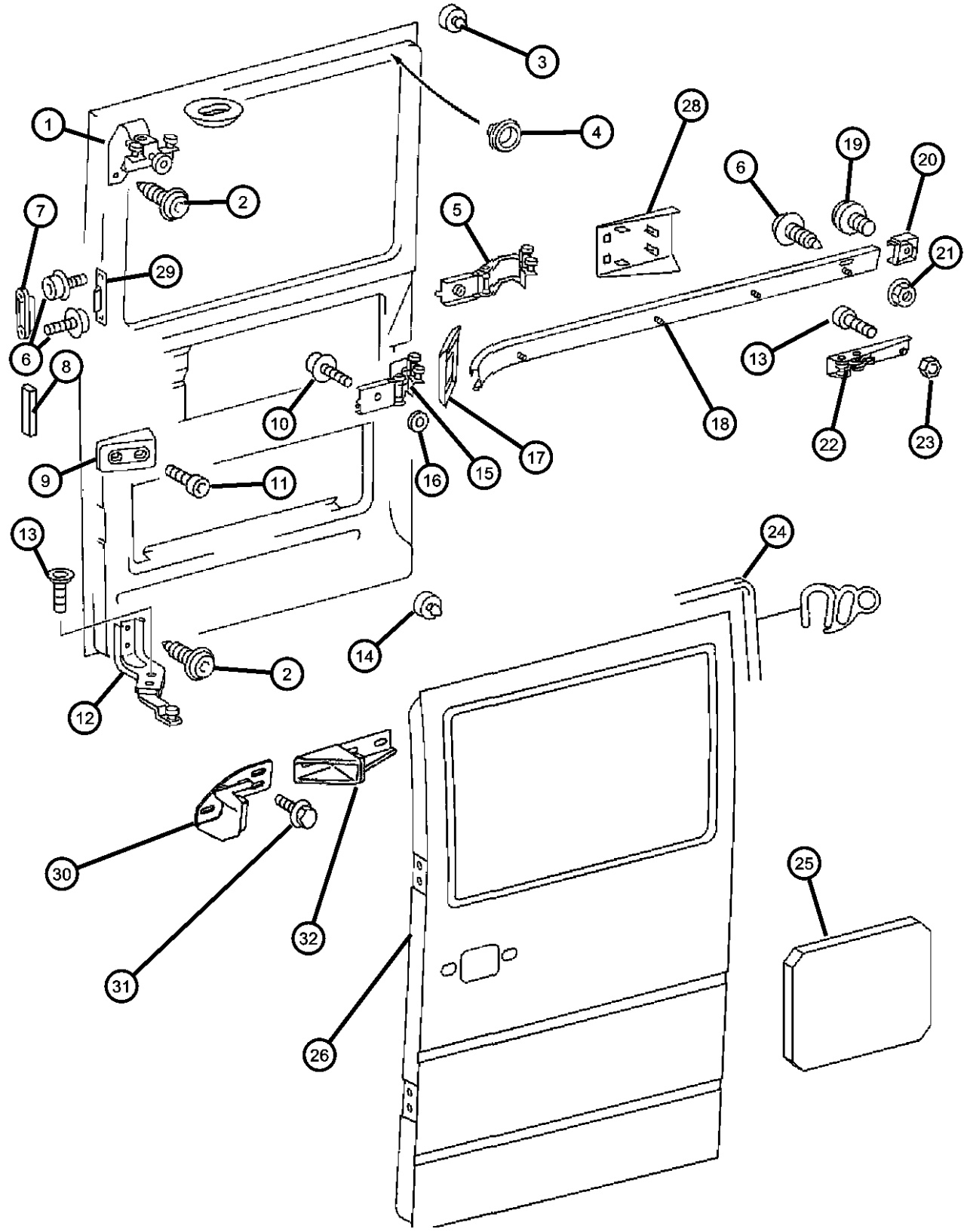
ITEM	PART NUMBER	QTY	LINE	SERIES	BODY	ENGINE	TRANS	TRIM	DESCRIPTION	
26		2	2, 6	L	11, 12, 14, 15, 16				DOOR, Side Cargo [GKE], Left	
		2	2, 6	L	51, 52, 54, 55, 56					
	05104355AA	1	2, 6	L	14, 15, 16, 11, 12					
		1	3, 7	L	16					[5AF+GKE], Left
	05104356AA	1	2, 6	L	11, 12, 14, 15, 16					[GKA], Right
		1	3, 7	L	16					[5AF+GKA], Right
	05123795AA	1	2, 6	L	11, 12, 14, 15, 16					[GKE+GEA,GEC], Left
	05123801AA	1	3, 7	L	12, 15					[5AE+GKA], Right
	05123803AA	1	2, 6	L	11, 12, 14, 15, 16					[GKE+GKG+GEA,GEC], Left
		1	3, 7	L	12, 15					[GKE+GKG+GEA,GEC], Left
	05123805AA	1	2, 6	L	11, 12, 14, 15, 16					[GKG+GKA+GEN,GEW], Right
		1	2, 6	L	51, 52, 54, 55, 56					[GKE], Left
		1	7, 3	L	16					[5AF+GKE+GEA,GEC], Left
	05123797AA	1	2, 6	L	11, 12, 14, 15, 16					[GKA+GEN,GEW], Right
	1	2, 6	L	55, 56, 51, 52, 54				[GKA], Right		
	1	3, 7	L	16				[5AF+GKA+GEN,GEW], Right		
05123799AA	1	2, 6	L	11, 12, 14, 15, 16				[GKE+GKG], Left		
	1	3, 7	L	12, 15				[5AE+GKE], Left		
	1	2, 6	L	11, 12, 14, 15, 16				[GKG+GKA], Right		
	1	3, 7	L	12, 15				[GKG+GKA+GEN,GEW], Right		
-27									PANEL, Side Cargo Door	

SPRINTER (VA)

SERIES	LINE	BODY	ENGINE	TRANSMISSION
L = LOWLINE	3 = HD DODGE 2WD 8 = HD DODGE 4WD 6 = Lt. Duty DODGE 4WD 2 = Med. Duty DODGE 2WD 7 = Med. Duty DODGE 4WD 4 = TRUCK	12 = Van 140" 51 = Wagon 118" 52 = Wagon 140" 14 = Van 118" 15 = Van 140" 16 = Van 158" 54 = Wagon 118" 55 = Wagon 140" 56 = Wagon 158" 01 = Chassis Forward Control 118" 02 = Chassis Forward Control 140" 06 = Front Section 158" 11 = Van 118"	EX8 = Engine - 2.7L I5 Mercedes-Benz TD	DGJ = Transmission - 5-Spd Auto, MB

AR = use ase required - = Non illustrated part

Door, Sliding Cargo Shell and Hinges
Figure DVA-310



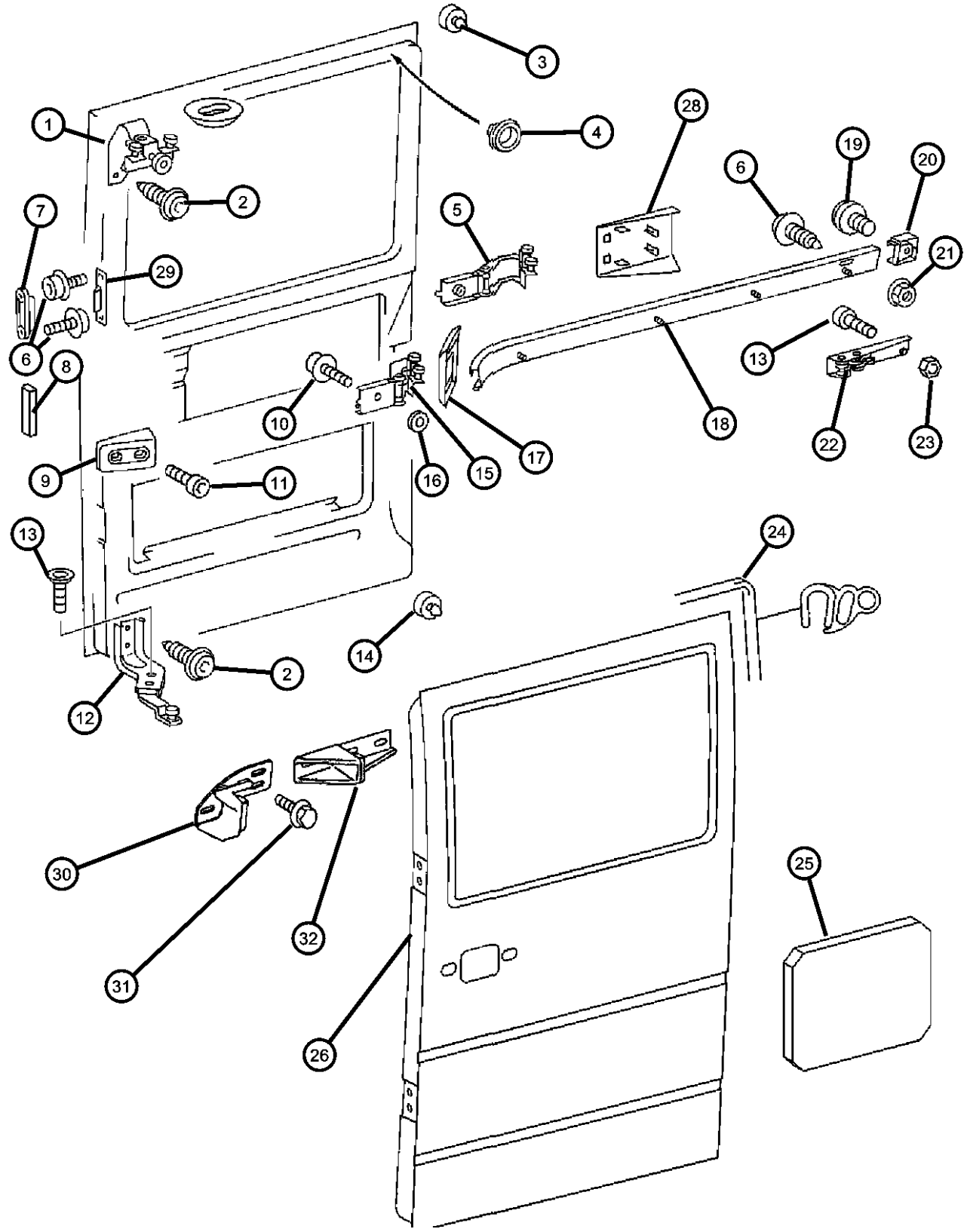
ITEM	PART NUMBER	QTY	LINE	SERIES	BODY	ENGINE	TRANS	TRIM	DESCRIPTION
	05104360AA	2	2, 6	L	11, 12, 14, 15, 16				[4Z1,4XS+GKE]
		1	2, 6	L	11, 12, 14, 15, 16				[4Z1,4XS]
		2	2, 6	L	51, 52, 54, 55, 56				[4Z1,4XS+GKE]
		1	2, 6	L	52, 54, 55, 56, 51				[4Z1,4XS]
		2	3, 7	L	12, 15, 16				[4Z1,4XS+GKE]
		1	3, 7	L	12, 15, 16				[4Z1,4XS]
28									COVER, Sliding Door Check
	05104589AA	1	2, 6	L	11, 12, 14, 15, 16				
		1	3, 7	L	12, 15				
29									TAPPING PLATE, Side Door Lock Striker
	05124110AA	2	2, 6	L	11, 12, 14, 15, 16				Left
		2	3, 7	L	12, 15, 16				Right
		2	2, 6	L	11, 12, 14, 15, 16				Right
		2	2, 6	L	51, 52, 54, 55, 56				Left
		2	2, 6	L	54, 55, 56, 51, 52				Right
		2	3, 7	L	12, 15, 16				Left
30									STOPPER, Cargo Door
	05127211AA	1	2, 6	L	11, 12, 14, 15, 16				Upper
		1	3, 7	L	12, 15, 16				Upper
31									SCREW
	05114443AA	2	2, 6	L	11, 12, 14, 15, 16				Need A Quantity Of 6, Left
		2	2, 6	L	11, 12, 14, 15, 16				Need A Quantity Of 6, Right

SPRINTER (VA)

SERIES	LINE	BODY	ENGINE	TRANSMISSION
L = LOWLINE	3 = HD DODGE 2WD 8 = HD DODGE 4WD 6 = Lt. Duty DODGE 4WD 2 = Med. Duty DODGE 2WD 7 = Med. Duty DODGE 4WD 4 = TRUCK	12 = Van 140" 51 = Wagon 118" 52 = Wagon 140" 14 = Van 118" 15 = Van 140" 16 = Van 158" 54 = Wagon 118" 55 = Wagon 140" 56 = Wagon 158" 01 = Chassis Forward Control 118" 02 = Chassis Forward Control 140" 06 = Front Section 158" 11 = Van 118"	EX8 = Engine - 2.7L I5 Mercedes-Benz TD	DGJ = Transmission - 5-Spd Auto, MB

AR = use ase required - = Non illustrated part

Door, Sliding Cargo Shell and Hinges
Figure DVA-310



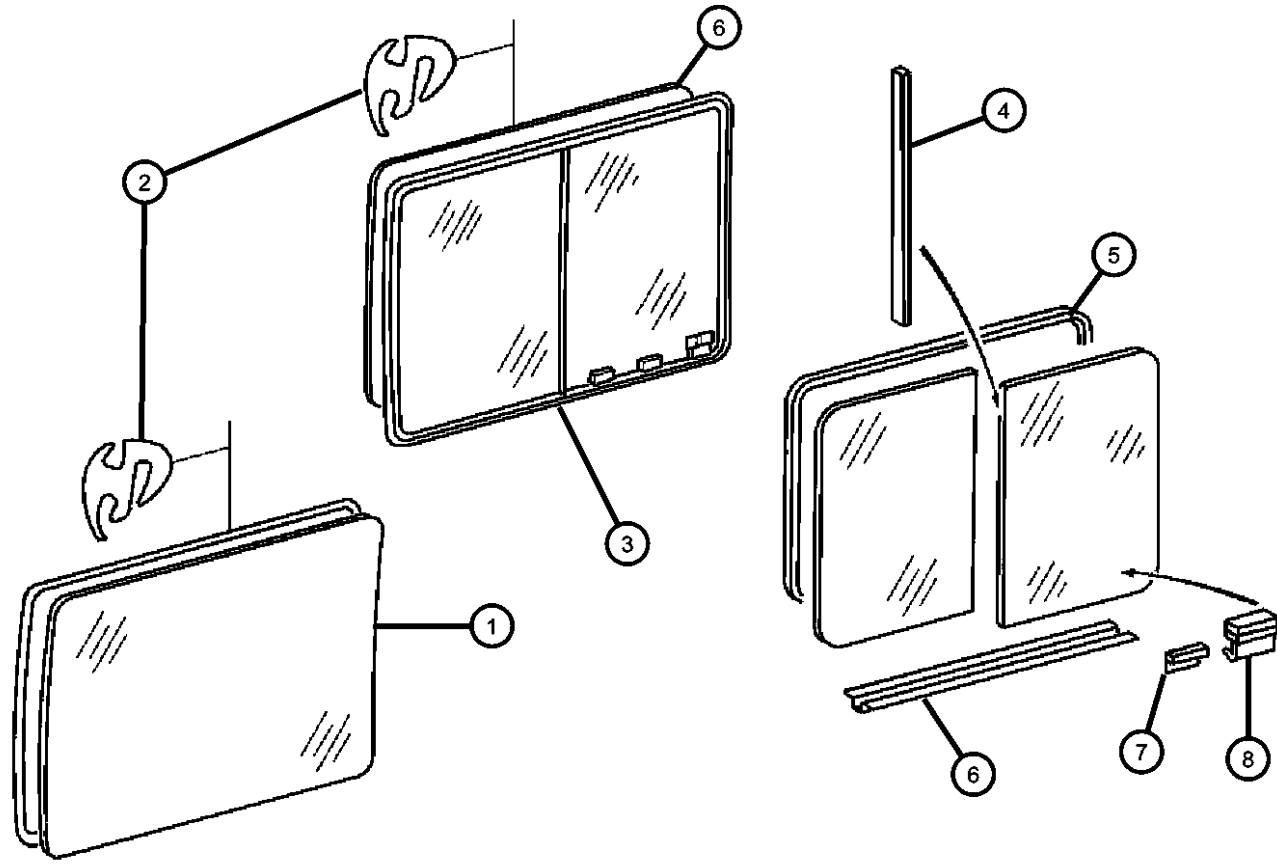
ITEM	PART NUMBER	QTY	LINE	SERIES	BODY	ENGINE	TRANS	TRIM	DESCRIPTION
		2	2, 6	L	51, 52, 54, 55, 56				Need A Quantity Of 6, Left
		2	2, 6	L	51, 52, 54, 55, 56				Need A Quantity Of 6, Right
		2	3, 7	L	12, 15, 16				Need A Quantity Of 6, Left
		2	3, 7	L	12, 15, 16				Need A Quantity Of 6, Right
32									STOPPER, Cargo Door
	05127212AA	1	2, 6	L	11, 12, 14, 15, 16				Lower
		1	3, 7	L	16, 12, 15				Lower
-33									REINFORCEMENT, Door Inner
	05127213AA	1	2, 6	L	11, 12, 14, 15, 16				
		1	3, 7	L	12, 15, 16				
-34									REINFORCEMENT, Door Inner
	05127214AA	1	2, 6	L	11, 12, 14, 15, 16				
		1	3, 7	L	12, 15, 16				

SPRINTER (VA)

SERIES	LINE	BODY	ENGINE	TRANSMISSION
L = LOWLINE	3 = HD DODGE 2WD 8 = HD DODGE 4WD 6 = Lt. Duty DODGE 4WD 2 = Med. Duty DODGE 2WD 7 = Med. Duty DODGE 4WD 4 = TRUCK	12 = Van 140" 51 = Wagon 118" 52 = Wagon 140" 14 = Van 118" 15 = Van 140" 16 = Van 158" 54 = Wagon 118" 55 = Wagon 140" 56 = Wagon 158" 01 = Chassis Forward Control 118" 02 = Chassis Forward Control 140" 06 = Front Section 158" 11 = Van 118"	EX8 = Engine - 2.7L I5 Mercedes-Benz TD	DGJ = Transmission - 5-Spd Auto, MB

AR = use ase required - = Non illustrated part

**Door, Sliding Cargo Glass
Figure DVA-320**



ITEM	PART NUMBER	QTY	LINE	SERIES	BODY	ENGINE	TRANS	TRIM	DESCRIPTION
1	05104363AA	1	2, 6	L	11, 12, 14, 15, 16				GLASS, Side Cargo Door, Fixed [3FQ]
		1	2, 6	L	51, 52, 54, 55, 56				[3FQ]
		1	3, 7	L	12, 15, 16				[3FQ]
2	05104364AA	1	2, 6	L	11, 12, 14, 15, 16				WEATHERSTRIP, Sliding Door Glass
		1	2, 6	L	51, 52, 54, 55, 56				
		1	3, 7	L	12, 15, 16				
3	05123832AA	1	2, 6	L	11, 12, 14, 15, 16				GLASS, Sliding Door, Vented [3FQ], Left
		1	2, 6	L	51, 52, 54, 55, 56				
	05123834AA	1	3, 7	L	12, 15, 16				[3FQ], Left
		1	2, 6	L	11, 12, 14, 15, 16				[3FQ], Right
	05123834AA	1	2, 6	L	51, 52, 54, 55, 56				[3FQ], Right
		1	3, 7	L	12, 15, 16				[3FQ], Right
4	05133536AA	1	2, 6	L	51, 52, 54, 55, 56				WEATHERSTRIP, Side Panel Vent
		1	2, 6	L	11, 12, 14, 15, 16				
		1	3, 7	L	12, 15, 16				
5	05133533AA	1	2, 6	L	11, 12, 14, 15, 16				WEATHERSTRIP, Side Panel Vent Right
		1	2, 6	L	51, 52, 54, 55, 56				
		1	3, 7	L	12, 15, 16				

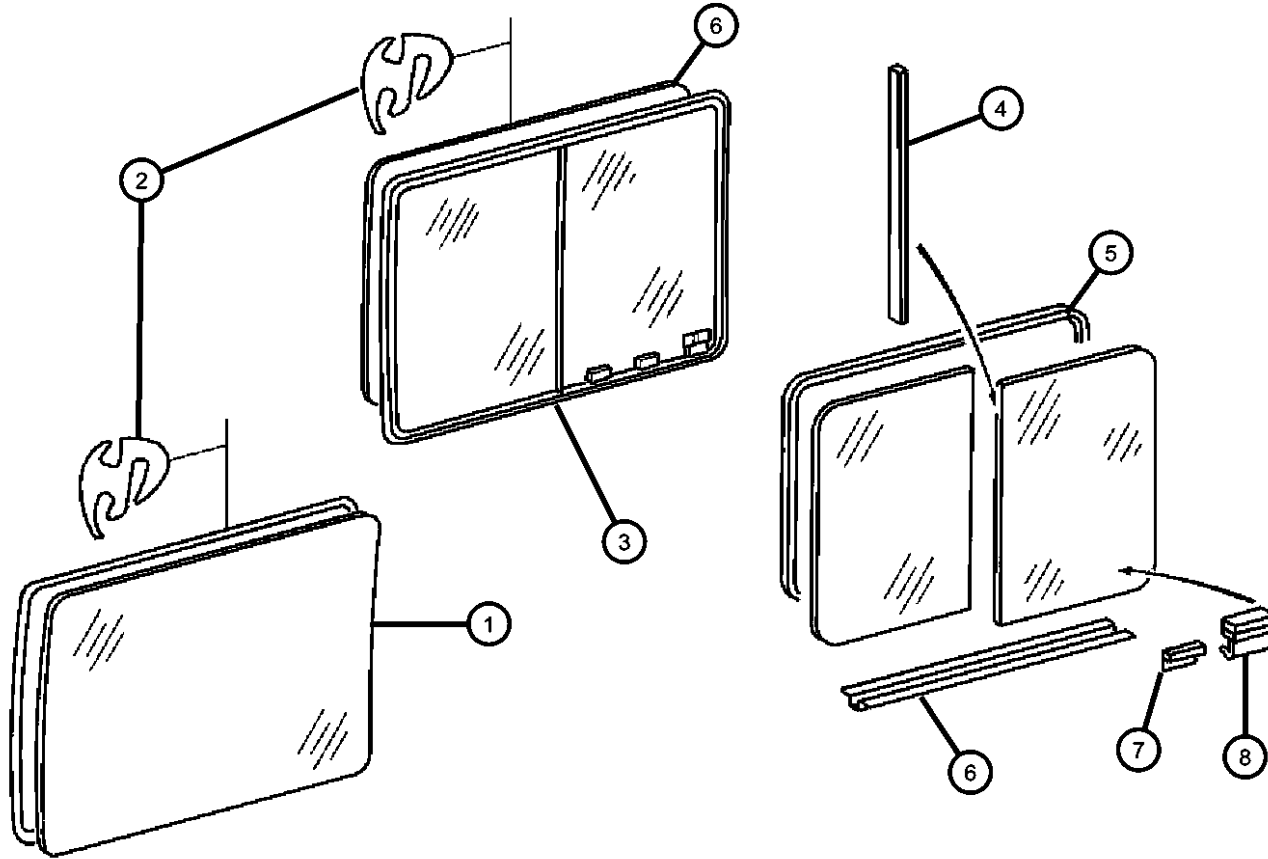
SPRINTER (VA)

SERIES	LINE	BODY	ENGINE	TRANSMISSION
L = LOWLINE	3 = HD DODGE 2WD 8 = HD DODGE 4WD 6 = Lt. Duty DODGE 4WD 2 = Med. Duty DODGE 2WD 7 = Med. Duty DODGE 4WD 4 = TRUCK	12 = Van 140" 51 = Wagon 118" 52 = Wagon 140" 14 = Van 118" 15 = Van 140" 16 = Van 158" 54 = Wagon 118" 55 = Wagon 140" 56 = Wagon 158" 01 = Chassis Forward Control 118" 02 = Chassis Forward Control 140" 06 = Front Section 158" 11 = Van 118"	EX8 = Engine - 2.7L I5 Mercedes-Benz TD	DGJ = Transmission - 5-Spd Auto, MB

AR = use ase required - = Non illustrated part

**Door, Sliding Cargo Glass
Figure DVA-320**

ITEM	PART NUMBER	QTY	LINE	SERIES	BODY	ENGINE	TRANS	TRIM	DESCRIPTION
6									WEATHERSTRIP, Glass Channel Run
	05133537AA	1	2, 6	L	11, 12, 14, 15, 16				
		1	2, 6	L	51, 52, 54, 55, 56				
		1	3, 7	L	12, 15, 16				
7									RETAINER, Side Panel Vent Window
	05133535AA	3	2, 6	L	11, 12, 14, 15, 16				
		1	2, 6	L	51, 52, 54, 55, 56				
		1	3, 7	L	12, 15, 16				
8									WEATHERSTRIP, Side Panel Vent
	05133536AA	1	2, 6	L	11, 12, 14, 15, 16				
		1	6, 2	L	51, 52, 54, 55, 56				
		1	3, 7	L	12, 15, 16				

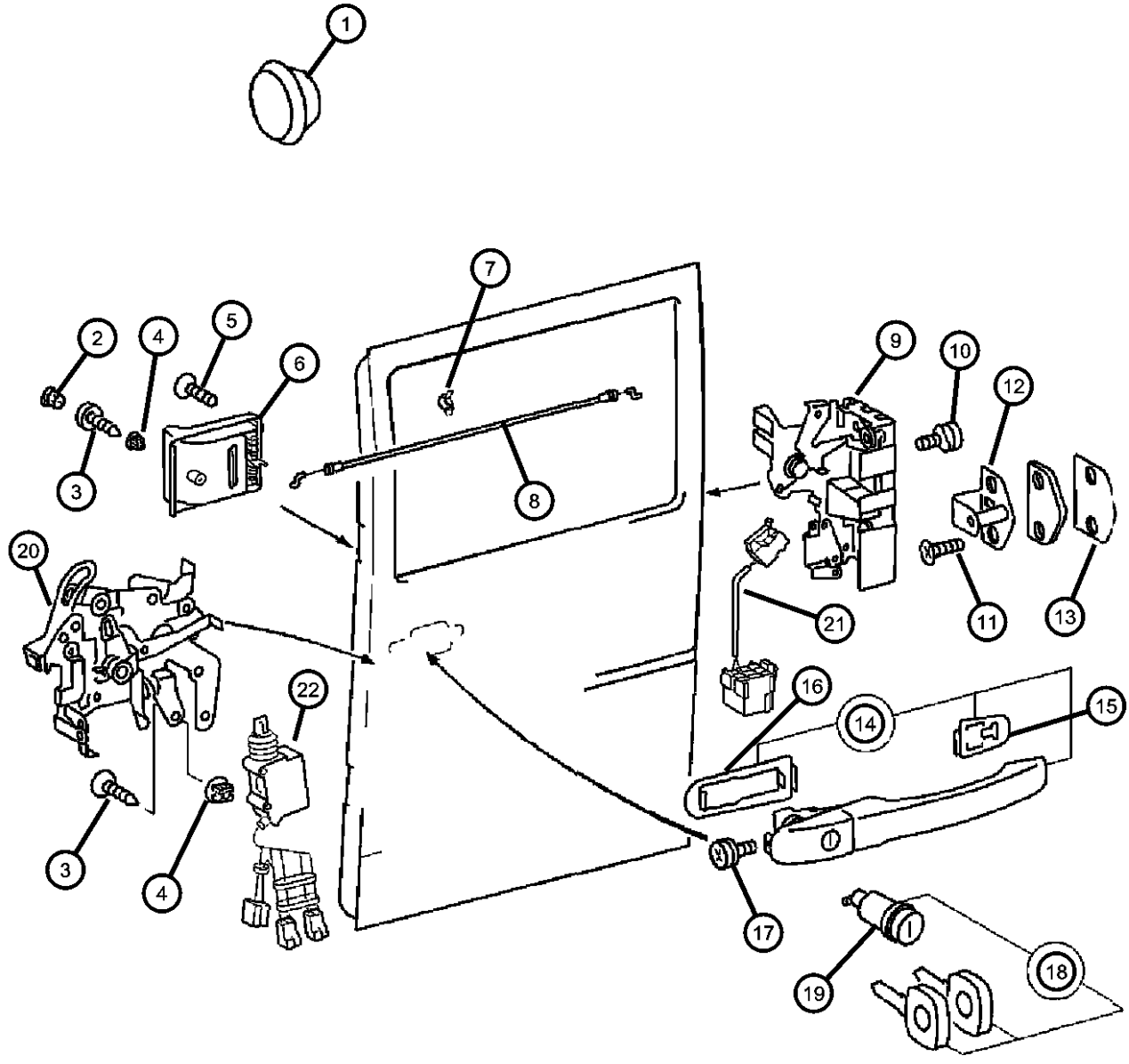


SPRINTER (VA)

SERIES	LINE	BODY	ENGINE	TRANSMISSION
L = LOWLINE	3 = HD DODGE 2WD 8 = HD DODGE 4WD 6 = Lt. Duty DODGE 4WD 2 = Med. Duty DODGE 2WD 7 = Med. Duty DODGE 4WD 4 = TRUCK	12 = Van 140" 51 = Wagon 118" 52 = Wagon 140" 14 = Van 118" 15 = Van 140" 16 = Van 158" 54 = Wagon 118" 55 = Wagon 140" 56 = Wagon 158" 01 = Chassis Forward Control 118" 02 = Chassis Forward Control 140" 06 = Front Section 158" 11 = Van 118"	EX8 = Engine - 2.7L I5 Mercedes-Benz TD	DGJ = Transmission - 5-Spd Auto, MB

AR = use ase required - = Non illustrated part

Door, Sliding Cargo Lock And Controls
Figure DVA-330



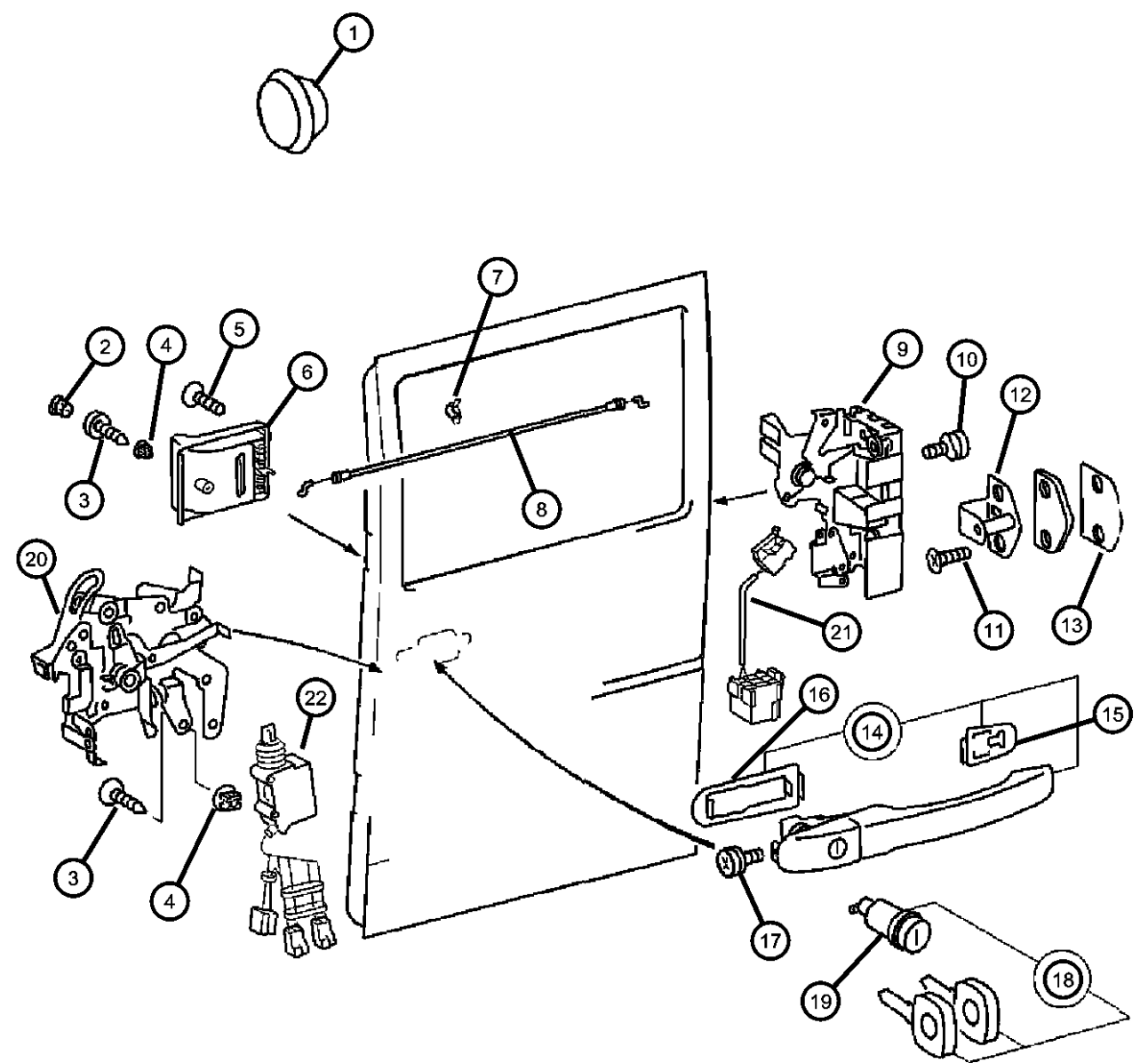
ITEM	PART NUMBER	QTY	LINE	SERIES	BODY	ENGINE	TRANS	TRIM	DESCRIPTION
1	05125508AA	1	2, 6	L	11, 12, 14, 15, 16				PLUG, Door
		1	2, 6	L	51, 52, 54, 55, 56				
		1	3, 7	L	12, 15, 16				
2	0ZF54DX9AA	1	2, 6	L	11, 12, 14, 15, 16				CAP, Door Handle Screw Cover
		1	2, 6	L	51, 52, 54, 55, 56				
		1	3, 7	L	12, 15, 16				
3	05104632AA	2	2, 6	L	11, 12, 14, 15, 16				SCREW
		2	2, 6	L	51, 52, 54, 55, 56				
		2	3, 7	L	12, 15, 16				
4	05125862AA	2	2, 6	L	11, 12, 14, 15, 16				NUT
		2	2, 6	L	51, 52, 54, 55, 56				
		2	3, 7	L	12, 15, 16				
5	05104679AA	1	6, 2	L	11, 12, 14, 15, 16				SCREW
		1	2, 6	L	51, 52, 54, 55, 56				
		4	3, 7	L	12, 15, 16				
6	05132049AA	1	2, 6	L	11, 12, 14, 15, 16				HANDLE, Sliding Door Interior
		1	2, 6	L	51, 52, 54, 55, 56				

SPRINTER (VA)

SERIES	LINE	BODY	ENGINE	TRANSMISSION
L = LOWLINE	3 = HD DODGE 2WD 8 = HD DODGE 4WD 6 = Lt. Duty DODGE 4WD 2 = Med. Duty DODGE 2WD 7 = Med. Duty DODGE 4WD 4 = TRUCK	12 = Van 140" 51 = Wagon 118" 52 = Wagon 140" 14 = Van 118" 15 = Van 140" 16 = Van 158" 54 = Wagon 118" 55 = Wagon 140" 56 = Wagon 158" 01 = Chassis Forward Control 118" 02 = Chassis Forward Control 140" 06 = Front Section 158" 11 = Van 118"	EX8 = Engine - 2.7L I5 Mercedes-Benz TD	DGJ = Transmission - 5-Spd Auto, MB

AR = use ase required - = Non illustrated part

Door, Sliding Cargo Lock And Controls
Figure DVA-330

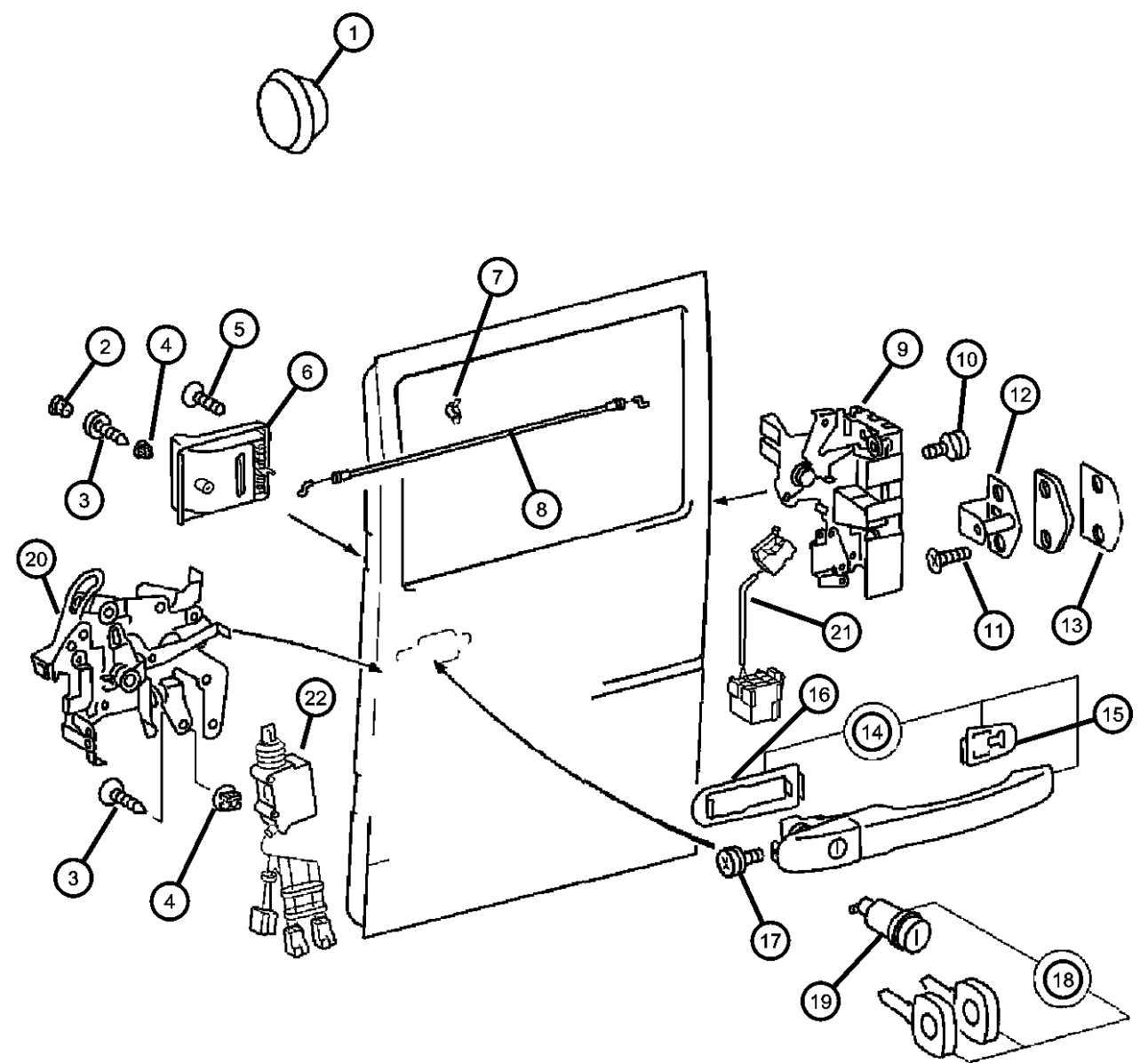


ITEM	PART NUMBER	QTY	LINE	SERIES	BODY	ENGINE	TRANS	TRIM	DESCRIPTION
7	05103736AA	1	2, 6	L	11, 12, 14, 15, 16				CLAMP
		1	2, 6	L	51, 52, 54, 55, 56				
		1	3, 7	L	12, 15, 16				
8	05103587AA	1	2, 6	L	11, 12, 14, 15, 16				ROD, Inside Handle to Latch
		1	2, 6	L	51, 52, 54, 55, 56				
		1	3, 7	L	12, 15, 16				
9	05104357AA	1	2, 6	L	11, 12, 14, 15, 16				LATCH, Cargo Door [GKE], Left
		1	2, 6	L	51, 52, 54, 55, 56				[GKE], Left
		1	3, 7	L	12, 15, 16				[GKE], Left
	05104358AA	1	2, 6	L	51, 52, 54, 55, 56				Right
		1	2, 6	L	11, 12, 14, 15, 16				Right
		1	3, 7	L	12, 15, 16				Right
10	05103723AA	2	2, 6	L	11, 12, 14, 15, 16				SCREW
		2	2, 6	L	51, 52, 54, 55, 56				
		2	3, 7	L	12, 15, 16				
11	05103715AA	2	2, 6	L	11, 12, 14, 15, 16				SCREW
		2	2, 6	L	51, 52, 54, 55, 56				
		2	3, 7	L	12, 15, 16				

SPRINTER (VA)
SERIES **LINE** **BODY** **ENGINE** **TRANSMISSION**
L = LOWLINE 3 = HD DODGE 2WD 12 = Van 140" EX8 = Engine - 2.7L I5 DGJ = Transmission - 5-Spd Auto, MB
 8 = HD DODGE 4WD 51 = Wagon 118" Mercedes-Benz TD
 6 = Lt. Duty DODGE 4WD 52 = Wagon 140"
 2 = Med. Duty DODGE 2WD 14 = Van 118"
 7 = Med. Duty DODGE 4WD 15 = Van 140"
 4 = TRUCK 16 = Van 158"
 54 = Wagon 118"
 55 = Wagon 140"
 56 = Wagon 158"
 01 = Chassis Forward Control 118"
 02 = Chassis Forward Control 140"
 06 = Front Section 158"
 11 = Van 118"

AR = use ase required - = Non illustrated part

Door, Sliding Cargo Lock And Controls
Figure DVA-330



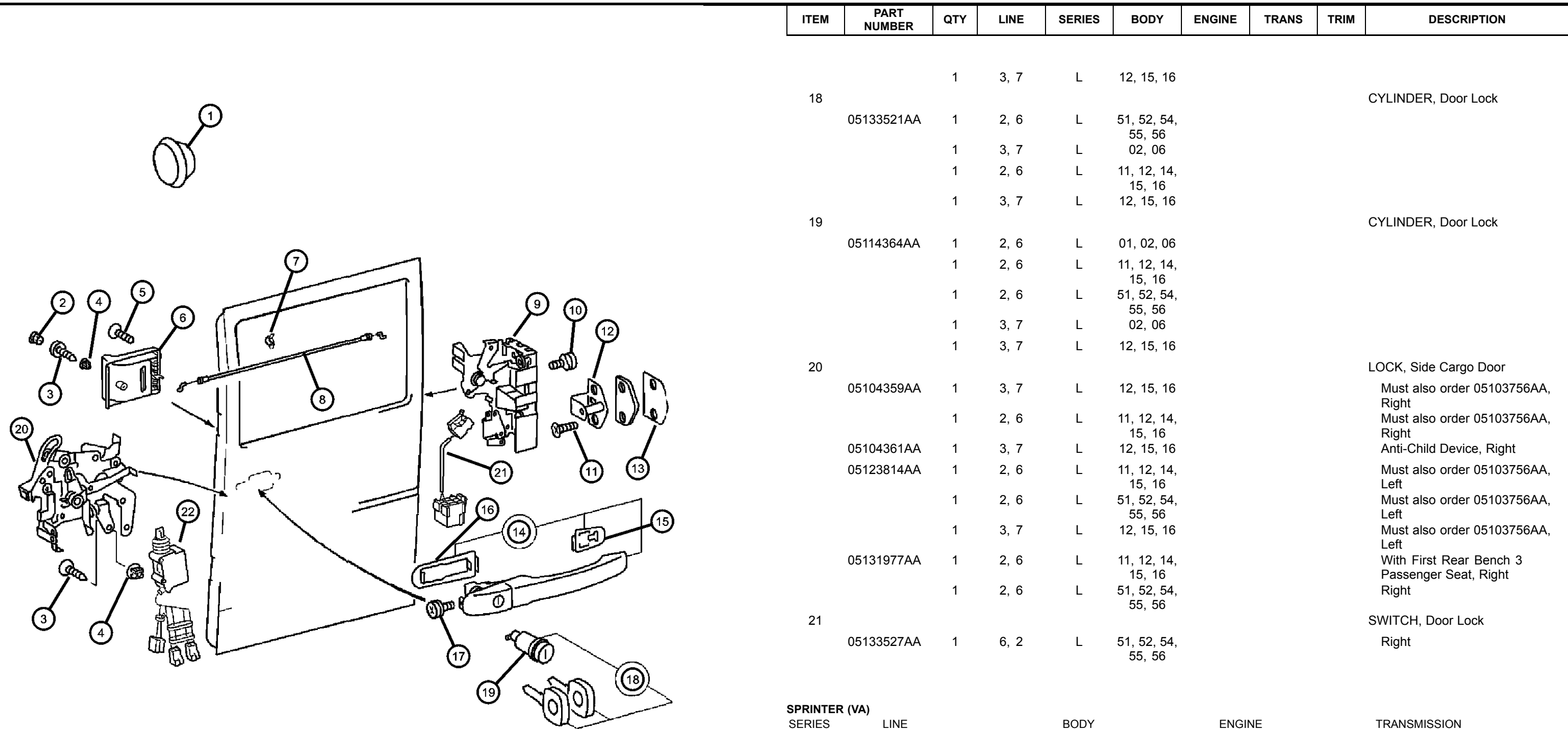
ITEM	PART NUMBER	QTY	LINE	SERIES	BODY	ENGINE	TRANS	TRIM	DESCRIPTION
12	05123700AA	1	2, 6	L	11, 12, 14, 15, 16				LATCH, Front Door
		1	2, 6	L	51, 52, 54, 55, 56				
		1	3, 7	L	12, 15, 16				
13	05103591AA	1	2, 6	L	11, 12, 14, 15, 16				PLATE, Striker
		1	2, 6	L	51, 52, 54, 55, 56				
		1	3, 7	L	12, 15, 16				
14	05104415AA	1	2, 6	L	11, 12, 14, 15, 16				HANDLE, Cargo Door
		1	2, 6	L	51, 52, 54, 55, 56				
		1	3, 7	L	12, 15, 16				
15	05103672AA	1	2, 6	L	11, 12, 14, 15, 16				PAD
		1	2, 6	L	51, 52, 54, 55, 56				
		1	3, 7	L	12, 15, 16				
16	05103673AA	1	2, 6	L	11, 12, 14, 15, 16				PAD
		1	2, 6	L	51, 52, 54, 55, 56				
		1	3, 7	L	12, 15, 16				
17	05125414AA	1	2, 6	L	11, 12, 14, 15, 16				SCREW, Front Door Handle
		1	2, 6	L	51, 52, 54, 55, 56				

SPRINTER (VA)

SERIES	LINE	BODY	ENGINE	TRANSMISSION
L = LOWLINE	3 = HD DODGE 2WD 8 = HD DODGE 4WD 6 = Lt. Duty DODGE 4WD 2 = Med. Duty DODGE 2WD 7 = Med. Duty DODGE 4WD 4 = TRUCK	12 = Van 140" 51 = Wagon 118" 52 = Wagon 140" 14 = Van 118" 15 = Van 140" 16 = Van 158" 54 = Wagon 118" 55 = Wagon 140" 56 = Wagon 158" 01 = Chassis Forward Control 118" 02 = Chassis Forward Control 140" 06 = Front Section 158" 11 = Van 118"	EX8 = Engine - 2.7L I5 Mercedes-Benz TD	DGJ = Transmission - 5-Spd Auto, MB

AR = use ase required - = Non illustrated part

Door, Sliding Cargo Lock And Controls
Figure DVA-330



ITEM	PART NUMBER	QTY	LINE	SERIES	BODY	ENGINE	TRANS	TRIM	DESCRIPTION
18		1	3, 7	L	12, 15, 16				CYLINDER, Door Lock
	05133521AA	1	2, 6	L	51, 52, 54, 55, 56				
		1	3, 7	L	02, 06				
		1	2, 6	L	11, 12, 14, 15, 16				
		1	3, 7	L	12, 15, 16				
19		1	3, 7	L	12, 15, 16				CYLINDER, Door Lock
	05114364AA	1	2, 6	L	01, 02, 06				
		1	2, 6	L	11, 12, 14, 15, 16				
		1	2, 6	L	51, 52, 54, 55, 56				
		1	3, 7	L	02, 06				
		1	3, 7	L	12, 15, 16				
20		1	3, 7	L	12, 15, 16				LOCK, Side Cargo Door
	05104359AA	1	3, 7	L	12, 15, 16				Must also order 05103756AA, Right
		1	2, 6	L	11, 12, 14, 15, 16				Must also order 05103756AA, Right
	05104361AA	1	3, 7	L	12, 15, 16				Anti-Child Device, Right
	05123814AA	1	2, 6	L	11, 12, 14, 15, 16				Must also order 05103756AA, Left
		1	2, 6	L	51, 52, 54, 55, 56				Must also order 05103756AA, Left
		1	3, 7	L	12, 15, 16				Must also order 05103756AA, Left
	05131977AA	1	2, 6	L	11, 12, 14, 15, 16				With First Rear Bench 3 Passenger Seat, Right
		1	2, 6	L	51, 52, 54, 55, 56				Right
21		1	6, 2	L	51, 52, 54, 55, 56				SWITCH, Door Lock
	05133527AA	1	6, 2	L	51, 52, 54, 55, 56				Right

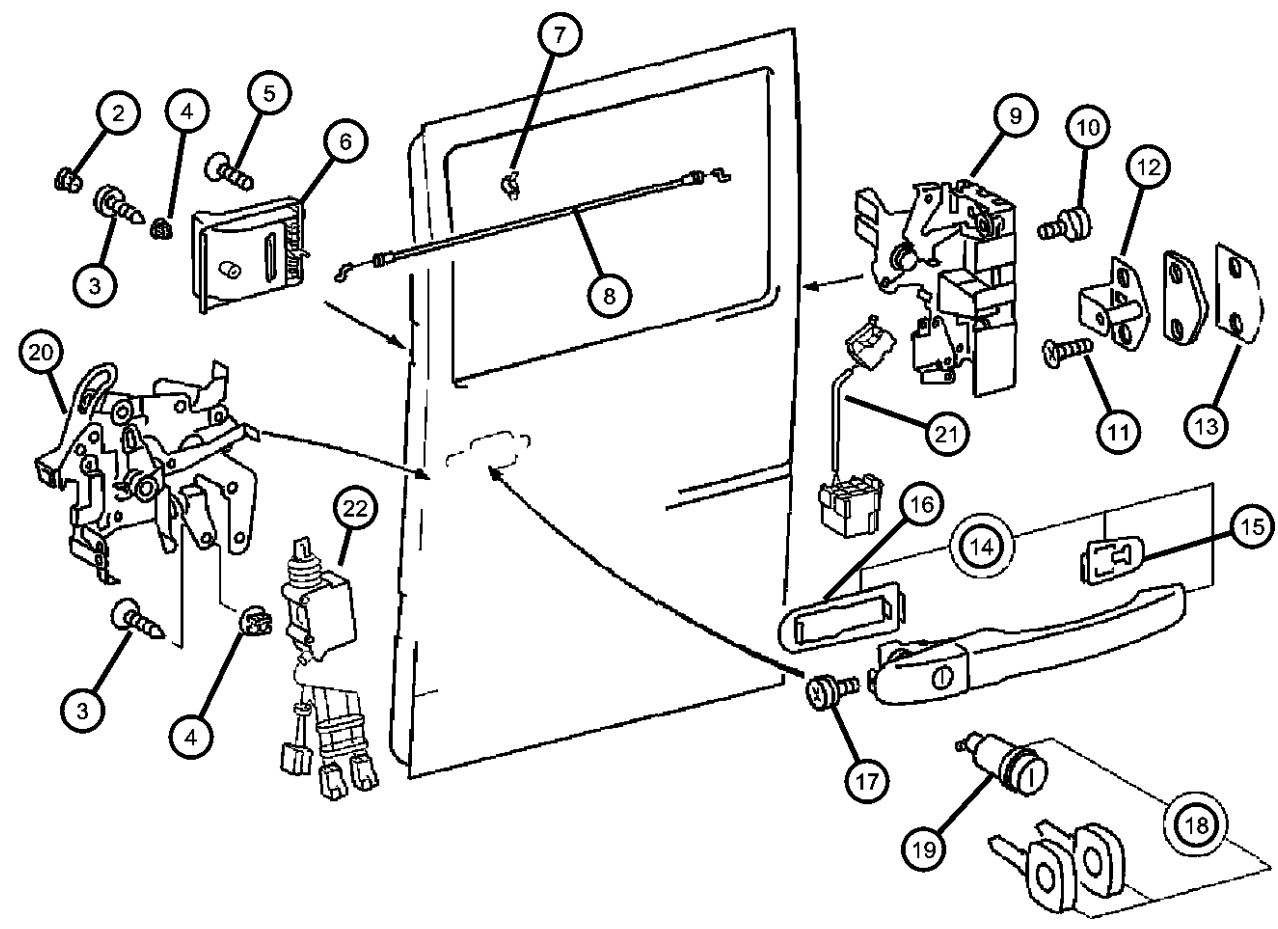
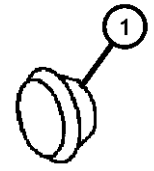
SPRINTER (VA)

SERIES	LINE	BODY	ENGINE	TRANSMISSION
L = LOWLINE	3 = HD DODGE 2WD 8 = HD DODGE 4WD 6 = Lt. Duty DODGE 4WD 2 = Med. Duty DODGE 2WD 7 = Med. Duty DODGE 4WD 4 = TRUCK	12 = Van 140" 51 = Wagon 118" 52 = Wagon 140" 14 = Van 118" 15 = Van 140" 16 = Van 158" 54 = Wagon 118" 55 = Wagon 140" 56 = Wagon 158" 01 = Chassis Forward Control 118" 02 = Chassis Forward Control 140" 06 = Front Section 158" 11 = Van 118"	EX8 = Engine - 2.7L I5 Mercedes-Benz TD	DGJ = Transmission - 5-Spd Auto, MB

AR = use ase required - = Non illustrated part

Door, Sliding Cargo Lock And Controls
Figure DVA-330

ITEM	PART NUMBER	QTY	LINE	SERIES	BODY	ENGINE	TRANS	TRIM	DESCRIPTION
		1	3, 7	L	12, 15, 16				Right
	05133999AA	1	2, 6	L	11, 12, 14, 15, 16				Left
		1	2, 6	L	51, 52, 54, 55, 56				Left
		1	3, 7	L	12, 15, 16				Left
		1	2, 6	L	11, 12, 14, 15, 16				Right
22									ACTUATOR, Power Door Lock
	05103756AA	1	2, 6	L	11, 12, 14, 15, 16				
		1	2, 6	L	51, 52, 54, 55, 56				
		1	3, 7	L	12, 15, 16				

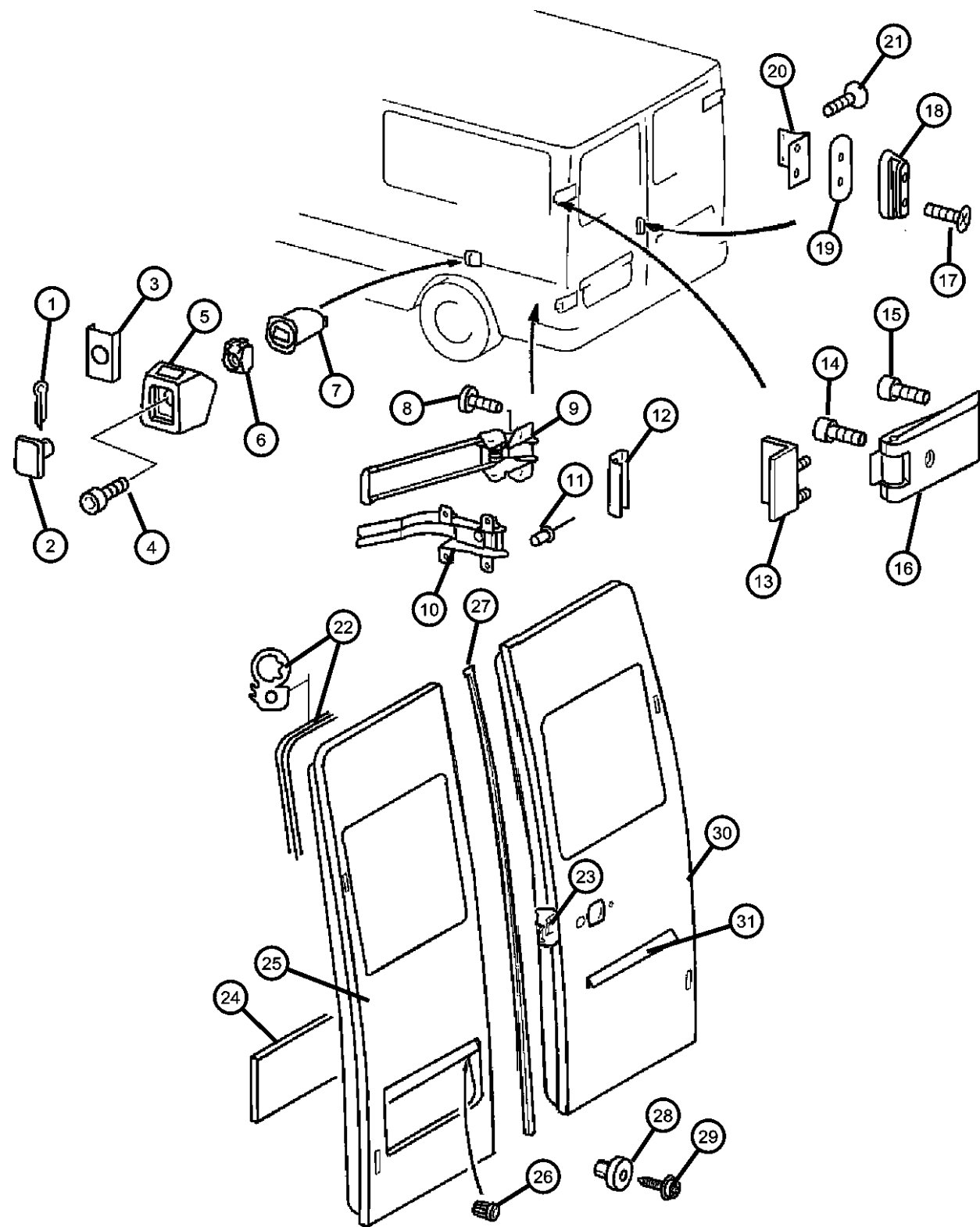


SPRINTER (VA)

SERIES	LINE	BODY	ENGINE	TRANSMISSION
L = LOWLINE	3 = HD DODGE 2WD 8 = HD DODGE 4WD 6 = Lt. Duty DODGE 4WD 2 = Med. Duty DODGE 2WD 7 = Med. Duty DODGE 4WD 4 = TRUCK	12 = Van 140" 51 = Wagon 118" 52 = Wagon 140" 14 = Van 118" 15 = Van 140" 16 = Van 158" 54 = Wagon 118" 55 = Wagon 140" 56 = Wagon 158" 01 = Chassis Forward Control 118" 02 = Chassis Forward Control 140" 06 = Front Section 158" 11 = Van 118"	EX8 = Engine - 2.7L I5 Mercedes-Benz TD	DGJ = Transmission - 5-Spd Auto, MB

AR = use ase required - = Non illustrated part

**Door, Cargo Shell And Hinges
Figure DVA-410**



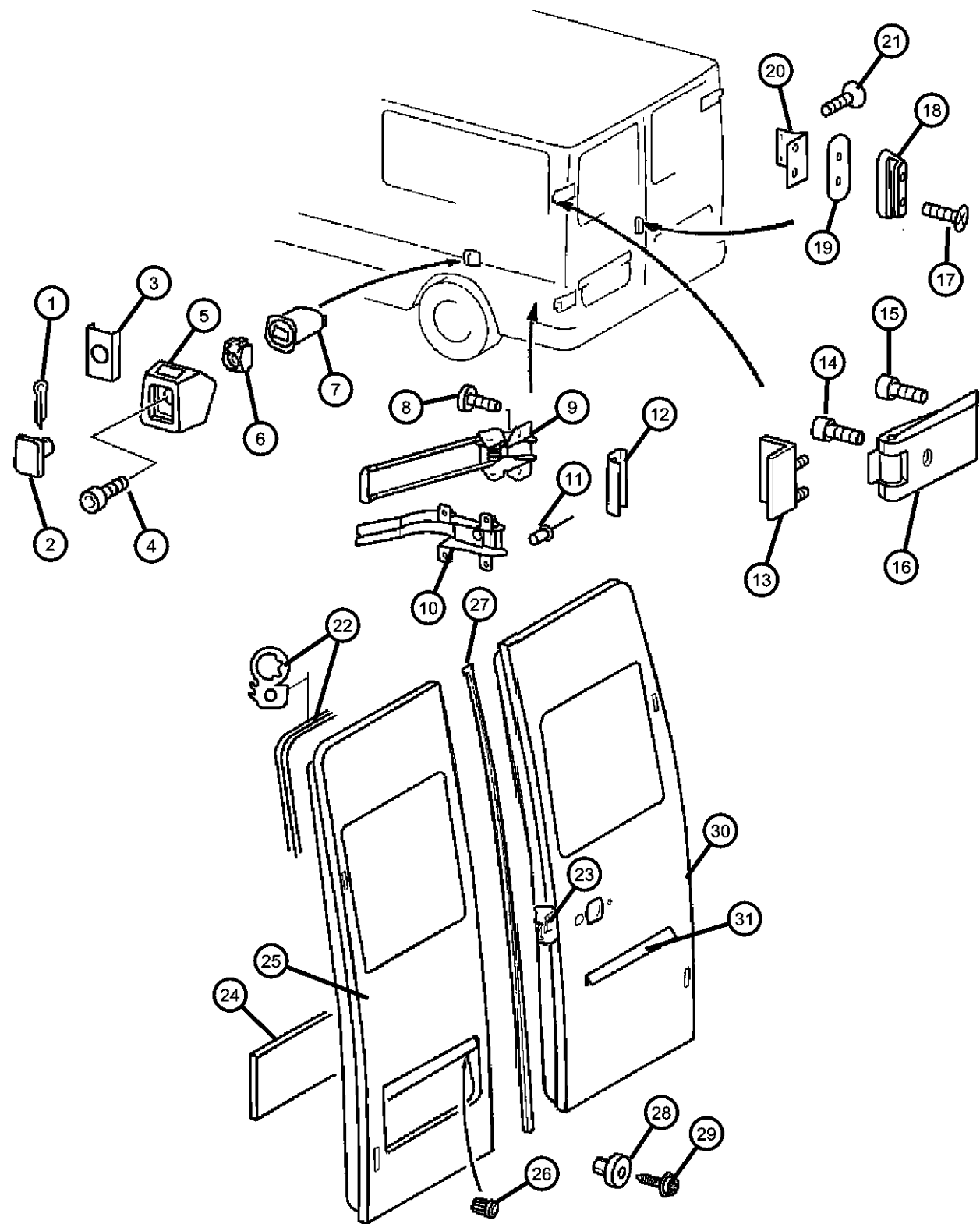
ITEM	PART NUMBER	QTY	LINE	SERIES	BODY	ENGINE	TRANS	TRIM	DESCRIPTION
1	05104611AA	2	2, 6	L	11, 12, 14, 15, 16				PIN, Cotter
		2	2, 6	L	51, 52, 54, 55, 56				
		2	3, 7	L	12, 15, 16				
2	05104423AA	1	2, 6	L	11, 12, 14, 15, 16				MAGNET
		1	2, 6	L	51, 52, 54, 55, 56				
		1	3, 7	L	12, 15, 16				
3	05104433AA	1	2, 6	L	11, 12, 14, 15, 16				PLATE, Support
		1	2, 6	L	51, 52, 54, 55, 56				
		1	3, 7	L	12, 15, 16				
4	05103719AA	1	2, 6	L	11, 12, 14, 15, 16				SCREW
		1	2, 6	L	51, 52, 54, 55, 56				
		1	3, 7	L	12, 15, 16				
5	05104369AA	1	2, 6	L	11, 12, 14, 15, 16				BUMPER, Door
		1	2, 6	L	51, 52, 54, 55, 56				
		1	3, 7	L	12, 15, 16				
6	05103840AA	1	2, 6	L	11, 12, 14, 15, 16				NUT, Snap In
		1	2, 6	L	51, 52, 54, 55, 56				

SPRINTER (VA)

SERIES	LINE	BODY	ENGINE	TRANSMISSION
L = LOWLINE	3 = HD DODGE 2WD 8 = HD DODGE 4WD 6 = Lt. Duty DODGE 4WD 2 = Med. Duty DODGE 2WD 7 = Med. Duty DODGE 4WD 4 = TRUCK	12 = Van 140" 51 = Wagon 118" 52 = Wagon 140" 14 = Van 118" 15 = Van 140" 16 = Van 158" 54 = Wagon 118" 55 = Wagon 140" 56 = Wagon 158" 01 = Chassis Forward Control 118" 02 = Chassis Forward Control 140" 06 = Front Section 158" 11 = Van 118"	EX8 = Engine - 2.7L I5 Mercedes-Benz TD	DGJ = Transmission - 5-Spd Auto, MB

AR = use ase required - = Non illustrated part

Door, Cargo Shell And Hinges
Figure DVA-410



ITEM	PART NUMBER	QTY	LINE	SERIES	BODY	ENGINE	TRANS	TRIM	DESCRIPTION
7		1	3, 7	L	15, 16, 12				REINFORCEMENT
	05104173AA	1	2, 6	L	11, 12, 14, 15				
		1	2, 6	L	51, 52, 54, 55				
8	06104144AA	3	2, 3, 6, 7	L	12, 15				SCREW
9	05104414AA	2	2, 3, 6, 7	L	11, 12, 14, 15, 16				CHECK, Rear Door
		2	2, 3, 6, 7	L	51, 52, 54, 55, 56				With [GLF]
	05104417AA	2	2, 3, 6, 7	L	11, 12, 14, 15, 16				With [GLF]
		2	2, 3, 6, 7	L	51, 52, 54, 55, 56				BRACKET, Door Inside
10	05104413AA	1	2, 6	L	11, 12, 14, 15, 16				
		1	2, 6	L	51, 52, 54, 55, 56				
		1	3, 7	L	12, 15, 16				RIVET
11	05103838AA	4	2, 6	L	01, 02, 06				
		4	2, 6	L	11, 12, 14, 15, 16				
		4	2, 6	L	55, 56, 51, 52, 54				
		4	3, 7	L	02, 06				
		4	3, 7	L	12, 15, 16				BRACKET, Cargo Door Hinge
12	05104430AA	1	2, 6	L	11, 12, 14, 15, 16				

SPRINTER (VA)

SERIES

L = LOWLINE

LINE

3 = HD DODGE 2WD
8 = HD DODGE 4WD
6 = Lt. Duty DODGE 4WD
2 = Med. Duty DODGE 2WD
7 = Med. Duty DODGE 4WD
4 = TRUCK

BODY

12 = Van 140"
51 = Wagon 118"
52 = Wagon 140"
14 = Van 118"
15 = Van 140"
16 = Van 158"
54 = Wagon 118"
55 = Wagon 140"
56 = Wagon 158"
01 = Chassis Forward Control 118"
02 = Chassis Forward Control 140"
06 = Front Section 158"
11 = Van 118"

ENGINE

EX8 = Engine - 2.7L I5
Mercedes-Benz TD

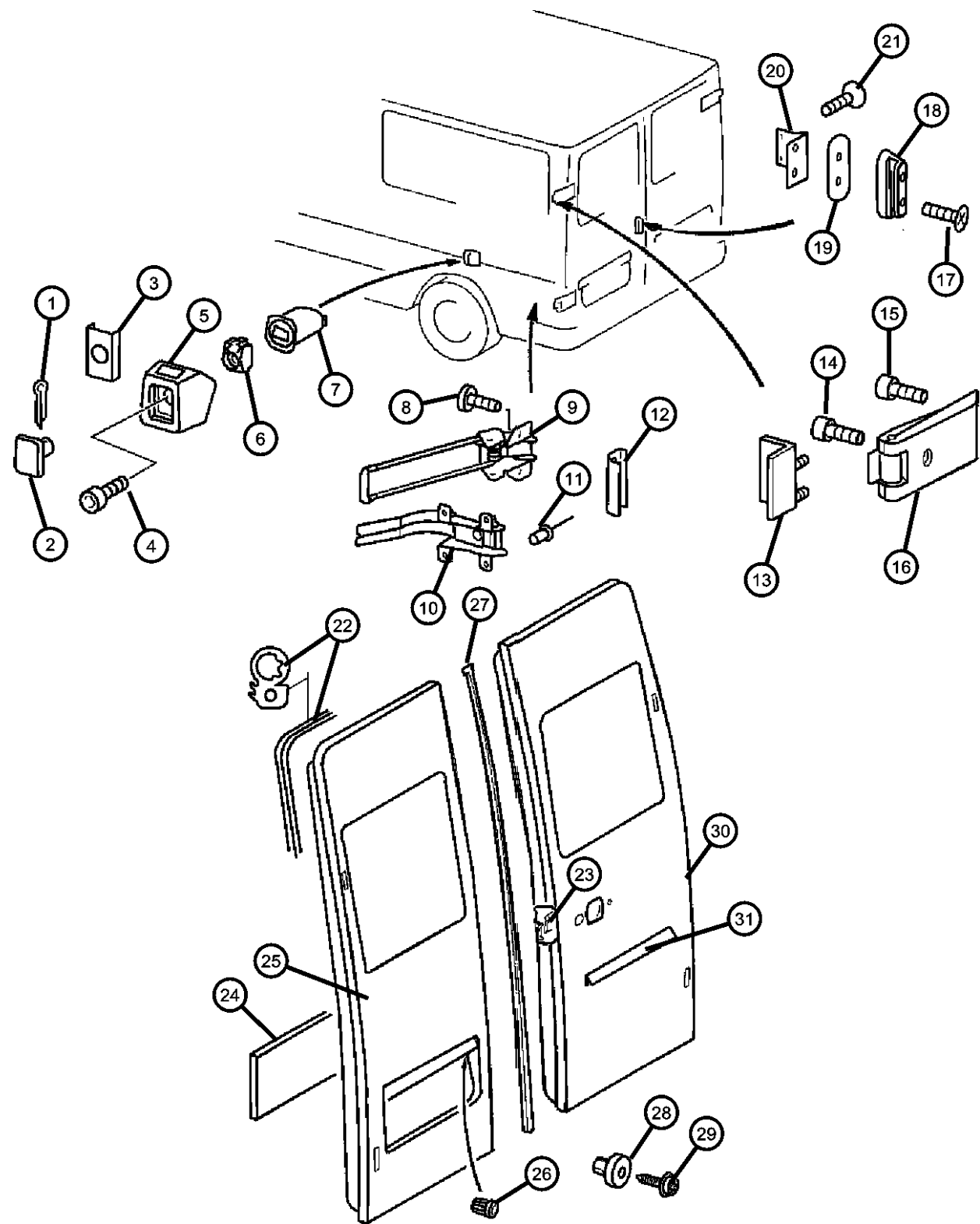
TRANSMISSION

DGJ = Transmission - 5-Spd Auto, MB

AR = use ase required - = Non illustrated part

2005 VA

Door, Cargo Shell And Hinges
Figure DVA-410



ITEM	PART NUMBER	QTY	LINE	SERIES	BODY	ENGINE	TRANS	TRIM	DESCRIPTION
		1	2, 6	L	51, 52, 54, 55, 56				
		1	3, 7	L	12, 15, 16				
13	05104385AA	2	2, 6	L	11, 12, 14, 15, 16				STOPPER, Cargo Door
		2	2, 6	L	51, 52, 54, 55, 56				
		2	3, 7	L	12, 15, 16				
14	05125420AA	1	2, 6	L	01, 02, 06				BOLT, Torx
		1	2, 6	L	11, 12, 14, 15, 16				
		1	2, 6	L	54, 55, 56, 51, 52				
15	05073721AA	1	2, 3, 6, 7	L					SCREW
16	05104378AA	2	2, 6	L	11, 12, 14, 15, 16				HINGE, Rear Door
		2	2, 6	L	51, 52, 54, 55, 56				
		2	3, 7	L	12, 15, 16				
17	05104635AA	2	2, 6	L	11, 12, 14, 15, 16				SCREW
		2	2, 6	L	51, 52, 54, 55, 56				
		2	3, 7	L	12, 15, 16				
18	05104370AA	1	2, 6	L	11, 12, 14, 15, 16				BUMPER, Door
		1	2, 6	L	51, 52, 54, 55, 56				
		1	3, 7	L	12, 15, 16				

SPRINTER (VA)

SERIES

L = LOWLINE

LINE

3 = HD DODGE 2WD
8 = HD DODGE 4WD
6 = Lt. Duty DODGE 4WD
2 = Med. Duty DODGE 2WD
7 = Med. Duty DODGE 4WD
4 = TRUCK

BODY

12 = Van 140"
51 = Wagon 118"
52 = Wagon 140"
14 = Van 118"
15 = Van 140"
16 = Van 158"
54 = Wagon 118"
55 = Wagon 140"
56 = Wagon 158"
01 = Chassis Forward Control 118"
02 = Chassis Forward Control 140"
06 = Front Section 158"
11 = Van 118"

ENGINE

EX8 = Engine - 2.7L I5
Mercedes-Benz TD

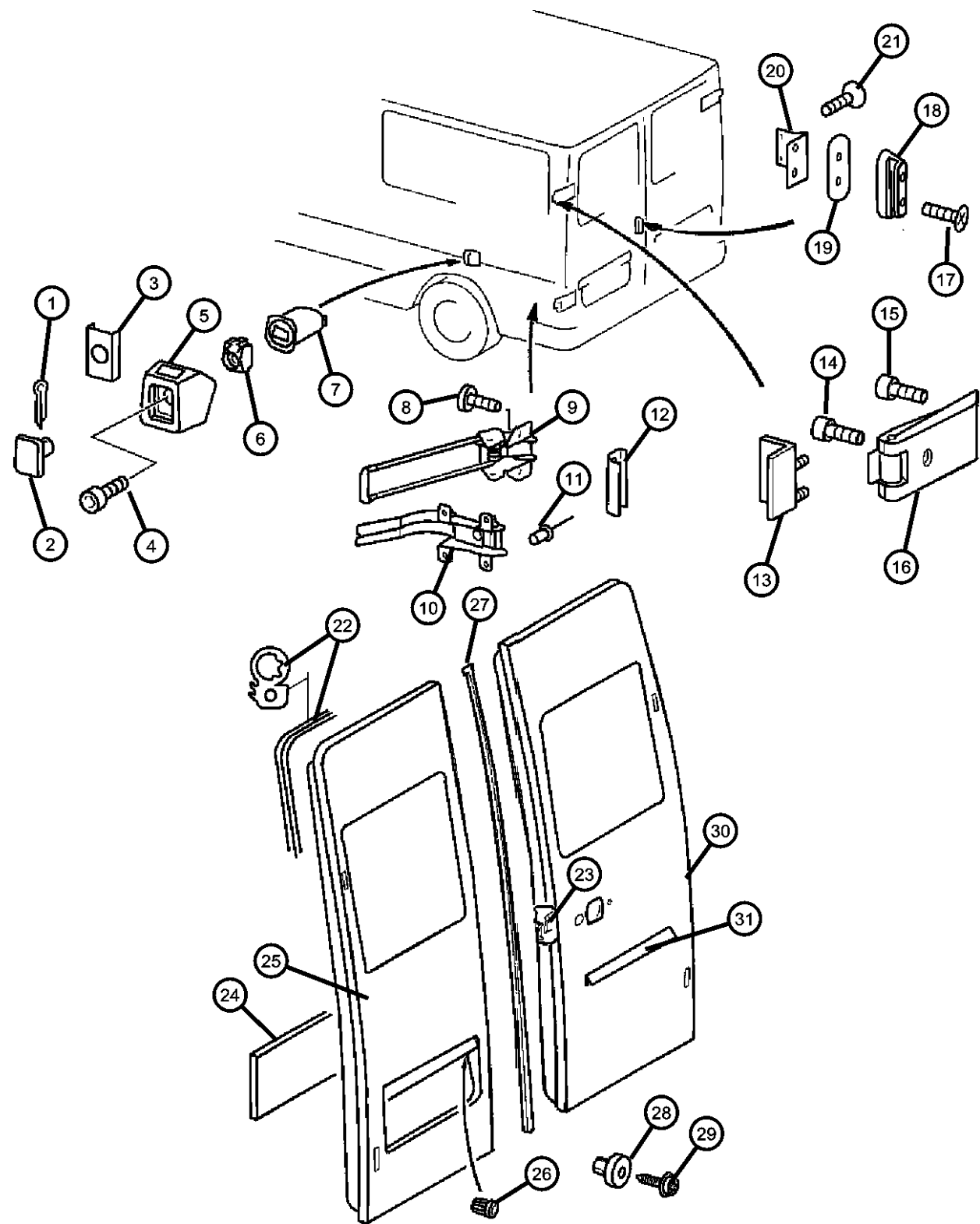
TRANSMISSION

DGJ = Transmission - 5-Spd Auto, MB

AR = use ase required - = Non illustrated part

2005 VA

Door, Cargo Shell And Hinges
Figure DVA-410



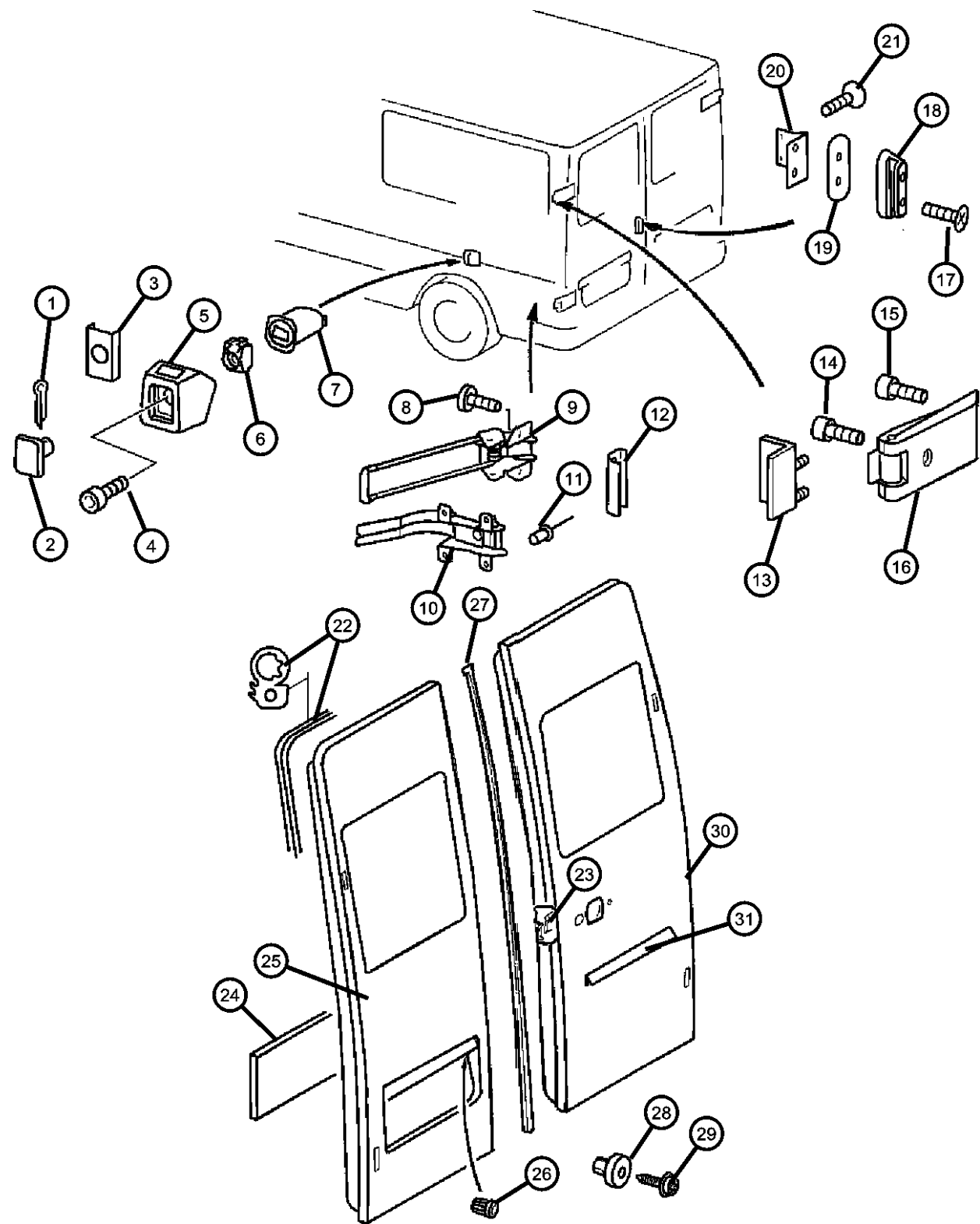
ITEM	PART NUMBER	QTY	LINE	SERIES	BODY	ENGINE	TRANS	TRIM	DESCRIPTION
19	05104432AA	1	2, 6	L	11, 12, 14, 15, 16				GASKET, Bumper Bracket
		1	2, 6	L	51, 52, 54, 55, 56				
		1	3, 7	L	12, 15, 16				
20	05123934AA	1	2, 6	L	11, 12, 14, 15, 16				BRACKET, Hinge Reinforcement
		1	2, 6	L	51, 52, 54, 55, 56				
		1	3, 7	L	12, 15, 16				
21	05133932AA	4	2, 6	L	11, 12, 14, 15, 16				SCREW
		4	2, 6	L	51, 52, 54, 55, 56				
		4	3, 7	L	12, 15, 16				
22	05104274AA	1	2, 6	L	14, 15, 16				WEATHERSTRIP, Cargo Door
		1	2, 6	L	54, 55, 56				
		1	3, 7	L	15, 16				
23		1							FILM, (NOT SERVICED)
24	05122518AA	2	2, 6	L	11, 12, 14, 15, 16				SILENCER, Door
		2	2, 6	L	51, 52, 54, 55, 56				
		2	3, 7	L	12, 15, 16				
25	05123905AA	1	2, 6	L	11, 12				DOOR, Rear Cargo
		1	3, 7	L	12				Left
		1	3, 7	L	12				Left

SPRINTER (VA)

SERIES	LINE	BODY	ENGINE	TRANSMISSION
L = LOWLINE	3 = HD DODGE 2WD 8 = HD DODGE 4WD 6 = Lt. Duty DODGE 4WD 2 = Med. Duty DODGE 2WD 7 = Med. Duty DODGE 4WD 4 = TRUCK	12 = Van 140" 51 = Wagon 118" 52 = Wagon 140" 14 = Van 118" 15 = Van 140" 16 = Van 158" 54 = Wagon 118" 55 = Wagon 140" 56 = Wagon 158" 01 = Chassis Forward Control 118" 02 = Chassis Forward Control 140" 06 = Front Section 158" 11 = Van 118"	EX8 = Engine - 2.7L I5 Mercedes-Benz TD	DGJ = Transmission - 5-Spd Auto, MB

AR = use ase required - = Non illustrated part

Door, Cargo Shell And Hinges
Figure DVA-410



ITEM	PART NUMBER	QTY	LINE	SERIES	BODY	ENGINE	TRANS	TRIM	DESCRIPTION
	05123909AA	1	2, 6	L	14, 15, 16				[MWJ-GL8], Left
		1	3, 7	L	15, 16				[MWJ-GL8], Left
	05123913AA	1	2, 6	L	11, 12				[GEM], Left
		1	3, 7	L	12				[GEM], Left
	05123917AA	1	2, 6	L	14, 15, 16				[MWJ+GEM], Left
		1	2, 6	L	54, 55, 56				[MWJ-GL8], Left
		1	3, 7	L	15, 16				[MWJ+GEM], Left
26		1							NUT, Push In, (NOT SERVICED),
27									WEATHERSTRIP, Cargo Door
	05104375AA	1	2, 6	L	14, 15, 16				
		1	2, 6	L	54, 55, 56				
		1	3, 7	L	15, 16				
	05123955AA	1	2, 6	L	11, 12				Without [GL8]
		1	2, 6	L	51, 52				Without [GL8]
		1	3, 7	L	12				Without [GL8]
28		1							NUTSERT, Rivet, (NOT SERVICED),
29									SCREW
	05133931AA	4	2, 6	L	11, 12, 14, 15, 16				
		4	2, 6	L	51, 52, 54, 55, 56				
		4	3, 7	L	12, 15, 16				
30									DOOR, Rear Cargo
	05123907AA	1	2, 6	L	11, 12				Right
		1	3, 7	L	12				Right
	05123911AA	1	2, 6	L	14, 15, 16				[MWJ-GL8], Right
		1	3, 7	L	15, 16				[MWJ-GL8], Right
	05123915AA	1	2, 6	L	11, 12				[GEM], Right

SPRINTER (VA)

SERIES

L = LOWLINE

LINE

3 = HD DODGE 2WD
8 = HD DODGE 4WD
6 = Lt. Duty DODGE 4WD
2 = Med. Duty DODGE 2WD
7 = Med. Duty DODGE 4WD
4 = TRUCK

BODY

12 = Van 140"
51 = Wagon 118"
52 = Wagon 140"
14 = Van 118"
15 = Van 140"
16 = Van 158"
54 = Wagon 118"
55 = Wagon 140"
56 = Wagon 158"
01 = Chassis Forward Control 118"
02 = Chassis Forward Control 140"
06 = Front Section 158"
11 = Van 118"

ENGINE

EX8 = Engine - 2.7L I5
Mercedes-Benz TD

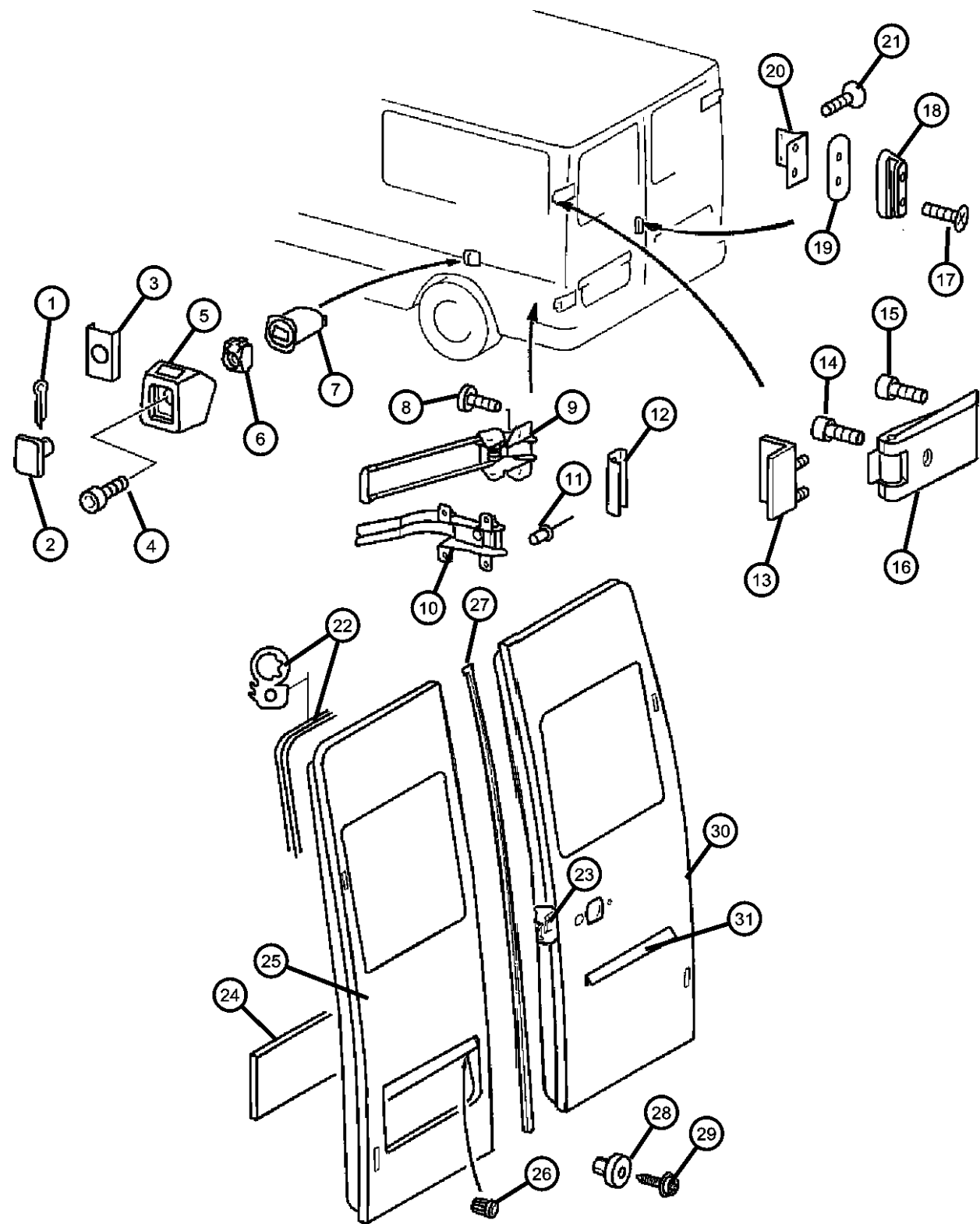
TRANSMISSION

DGJ = Transmission - 5-Spd Auto, MB

AR = use ase required - = Non illustrated part

2005 VA

**Door, Cargo Shell And Hinges
Figure DVA-410**



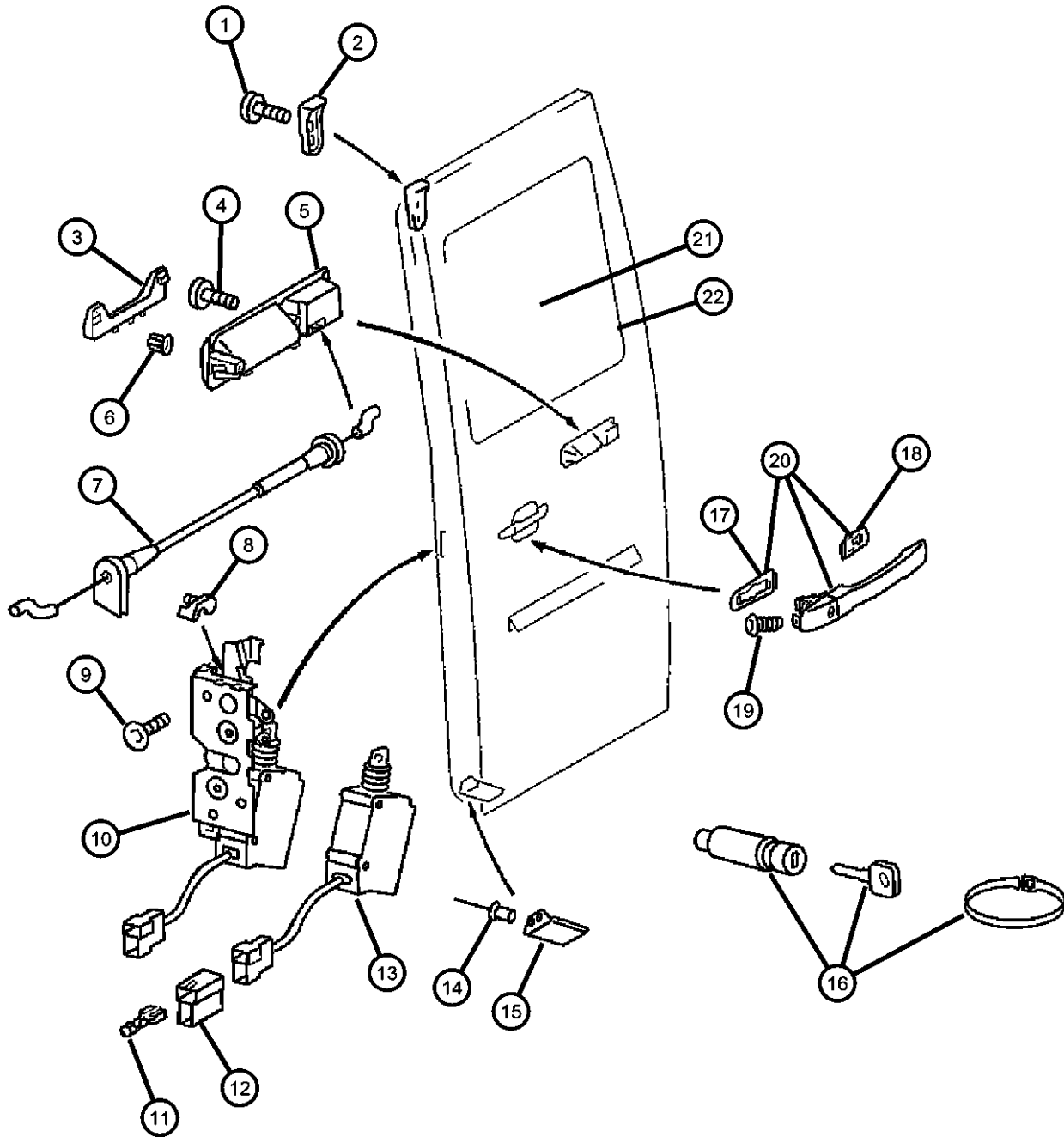
ITEM	PART NUMBER	QTY	LINE	SERIES	BODY	ENGINE	TRANS	TRIM	DESCRIPTION
		1	3, 7	L	12				[GEM], Right
	05123919AA	1	2, 6	L	14, 15, 16				[MWJ+GEM], Right
		1	2, 6	L	54, 55, 56				[MWJ-GL8], Right
		1	3, 7	L	15, 16				[MWJ+GEM], Right
31									NAMEPLATE, Rear Door
	05104454AA	1	2, 6	L	01, 02, 06				
		1	2, 6	L	12, 14, 15, 16, 11				
		1	2, 6	L	51, 52, 54, 55, 56				
		1	3, 7	L	02, 06				
		1	3, 7	L	12, 15, 16				

SPRINTER (VA)

SERIES	LINE	BODY	ENGINE	TRANSMISSION
L = LOWLINE	3 = HD DODGE 2WD 8 = HD DODGE 4WD 6 = Lt. Duty DODGE 4WD 2 = Med. Duty DODGE 2WD 7 = Med. Duty DODGE 4WD 4 = TRUCK	12 = Van 140" 51 = Wagon 118" 52 = Wagon 140" 14 = Van 118" 15 = Van 140" 16 = Van 158" 54 = Wagon 118" 55 = Wagon 140" 56 = Wagon 158" 01 = Chassis Forward Control 118" 02 = Chassis Forward Control 140" 06 = Front Section 158" 11 = Van 118"	EX8 = Engine - 2.7L I5 Mercedes-Benz TD	DGJ = Transmission - 5-Spd Auto, MB

AR = use ase required - = Non illustrated part

**Door, Cargo Glass And Hardware
Figure DVA-420**



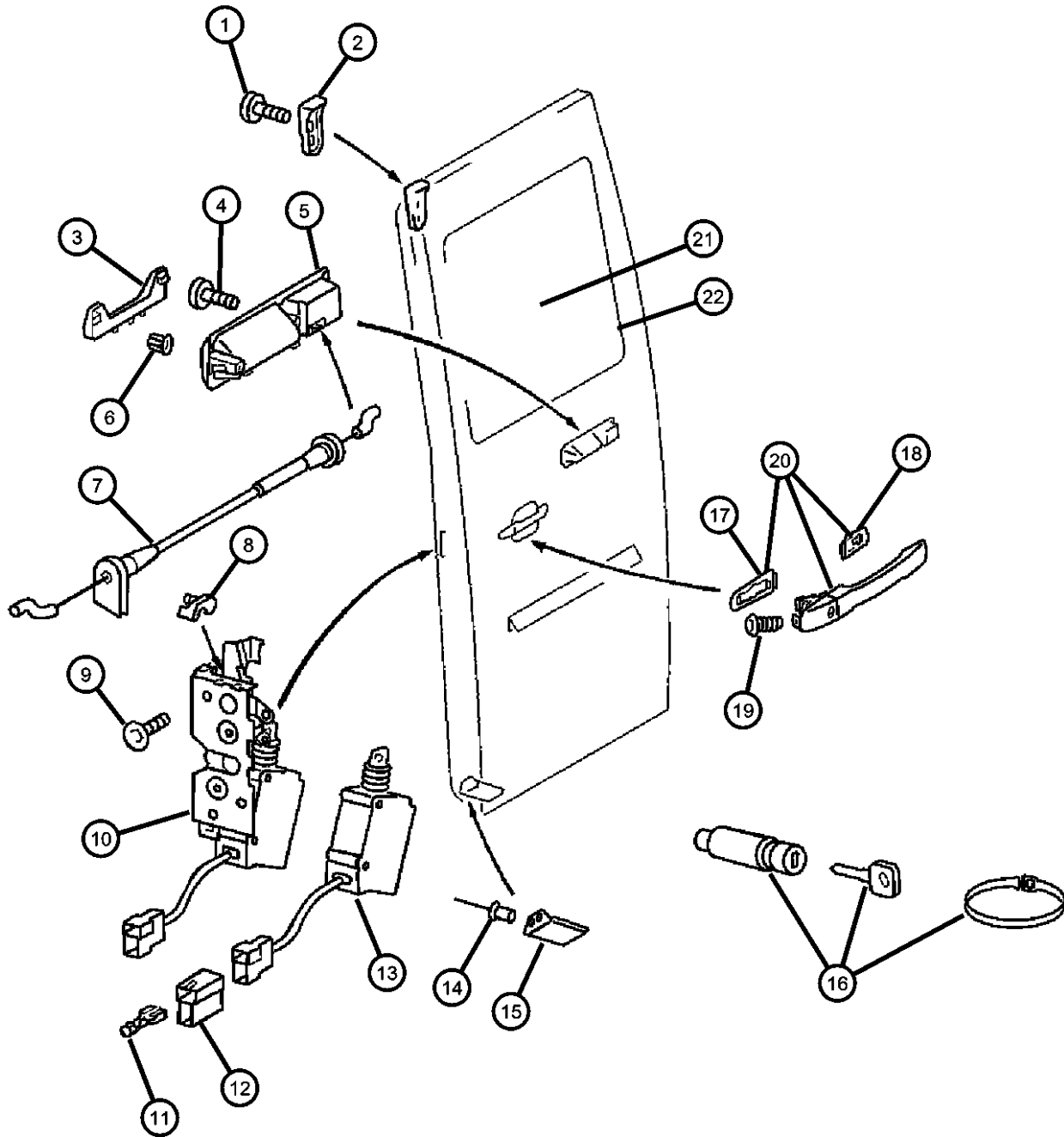
ITEM	PART NUMBER	QTY	LINE	SERIES	BODY	ENGINE	TRANS	TRIM	DESCRIPTION
1									SCREW
	06104142AA	2	2, 6	L	01, 02, 06				
		2	2, 6	L	11, 12, 14, 15, 16				
		2	2, 6	L	51, 52, 54, 55, 56				
		2	3, 7	L	02, 06				
		2	3, 7	L	12, 15, 16				
2									SPACER, Door Lock Striker
	05123997AA	1	2, 6	L	11, 12, 14, 15, 16				
		1	2, 6	L	51, 52, 54, 55, 56				
		1	3, 7	L	12, 15, 16				
3									COVER, Handle
	1AT60BD1AA	1	2, 6	L	11, 12, 14, 15, 16				
		1	2, 6	L	51, 52, 54, 55, 56				
		1	3, 7	L	12, 15, 16				
4									SCREW
	06104142AA	2	2, 6	L	01, 02, 06				
		2	2, 6	L	51, 52, 54, 55, 56				
		2	3, 7	L	02, 06				
		2	2, 6	L	11, 12, 14, 15, 16				
		2	3, 7	L	12, 15, 16				
5									HANDLE, Rear Door Interior
	05132053AA	1	2, 6	L	51, 52, 54, 55, 56				
		1	2, 6	L	11, 12, 14, 15, 16				
6									NUT

SPRINTER (VA)

SERIES	LINE	BODY	ENGINE	TRANSMISSION
L = LOWLINE	3 = HD DODGE 2WD 8 = HD DODGE 4WD 6 = Lt. Duty DODGE 4WD 2 = Med. Duty DODGE 2WD 7 = Med. Duty DODGE 4WD 4 = TRUCK	12 = Van 140" 51 = Wagon 118" 52 = Wagon 140" 14 = Van 118" 15 = Van 140" 16 = Van 158" 54 = Wagon 118" 55 = Wagon 140" 56 = Wagon 158"	EX8 = Engine - 2.7L I5 Mercedes-Benz TD	DGJ = Transmission - 5-Spd Auto, MB
		01 = Chassis Forward Control 118" 02 = Chassis Forward Control 140" 06 = Front Section 158" 11 = Van 118"		

AR = use ase required - = Non illustrated part

**Door, Cargo Glass And Hardware
Figure DVA-420**



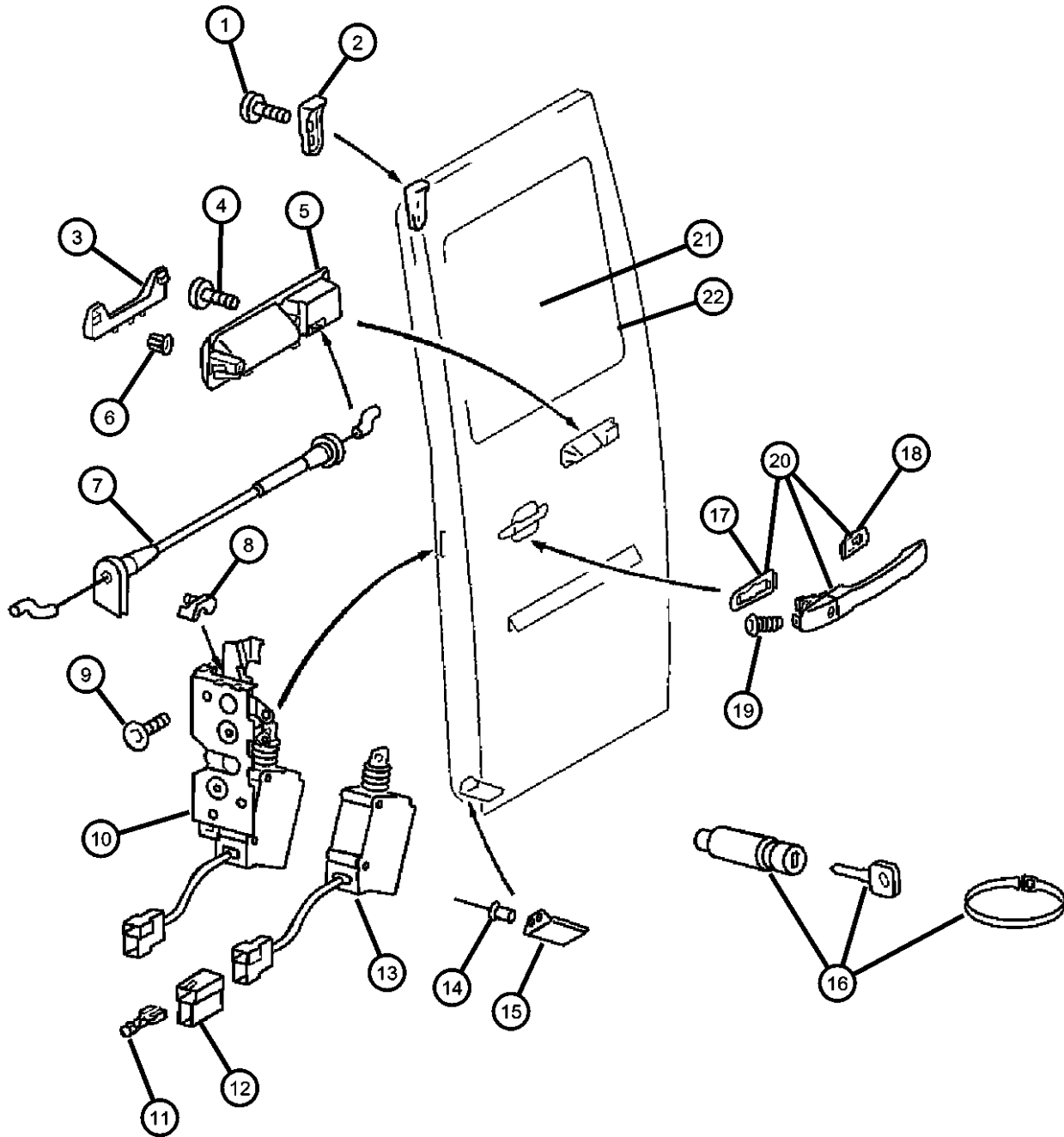
ITEM	PART NUMBER	QTY	LINE	SERIES	BODY	ENGINE	TRANS	TRIM	DESCRIPTION
	06104884AA	2	2, 6	L	11, 12, 14, 15, 16				
		2	2, 6	L	51, 52, 54, 55, 56				
		2	3, 7	L	12, 15, 16				
7									CABLE
	05104416AA	1	2, 6	L	11, 12, 14, 15, 16				
		1	2, 6	L	51, 52, 54, 55, 56				
		1	3, 7	L	12, 15, 16				
8									CONNECTOR, Solenoid
	05103674AA	1	6, 2	L	01, 02, 06				
		1	2, 6	L	11, 12, 14, 15, 16				
		1	2, 6	L	51, 52, 54, 55, 56				
		1	3, 7	L	02, 06				
		1	3, 7	L	12, 15, 16				
9									SCREW
	05103723AA	2	2, 6	L	11, 12, 14, 15, 16				
		2	2, 6	L	51, 52, 54, 55, 56				
		2	3, 7	L	12, 15, 16				
10									LATCH, Rear Door
	05104371AA	1	3, 7	L	12, 15, 16				
	05131997AA	1	2, 6	L	11, 12, 14, 15, 16				
		1	2, 6	L	51, 52, 54, 55, 56				
11									TERMINAL, Female
	05114451AA	99	2, 6	L	11, 12, 14, 15, 16				

SPRINTER (VA)

SERIES	LINE	BODY	ENGINE	TRANSMISSION
L = LOWLINE	3 = HD DODGE 2WD 8 = HD DODGE 4WD 6 = Lt. Duty DODGE 4WD 2 = Med. Duty DODGE 2WD 7 = Med. Duty DODGE 4WD 4 = TRUCK	12 = Van 140" 51 = Wagon 118" 52 = Wagon 140" 14 = Van 118" 15 = Van 140" 16 = Van 158" 54 = Wagon 118" 55 = Wagon 140" 56 = Wagon 158" 01 = Chassis Forward Control 118" 02 = Chassis Forward Control 140" 06 = Front Section 158" 11 = Van 118"	EX8 = Engine - 2.7L I5 Mercedes-Benz TD	DGJ = Transmission - 5-Spd Auto, MB

AR = use ase required - = Non illustrated part

**Door, Cargo Glass And Hardware
Figure DVA-420**



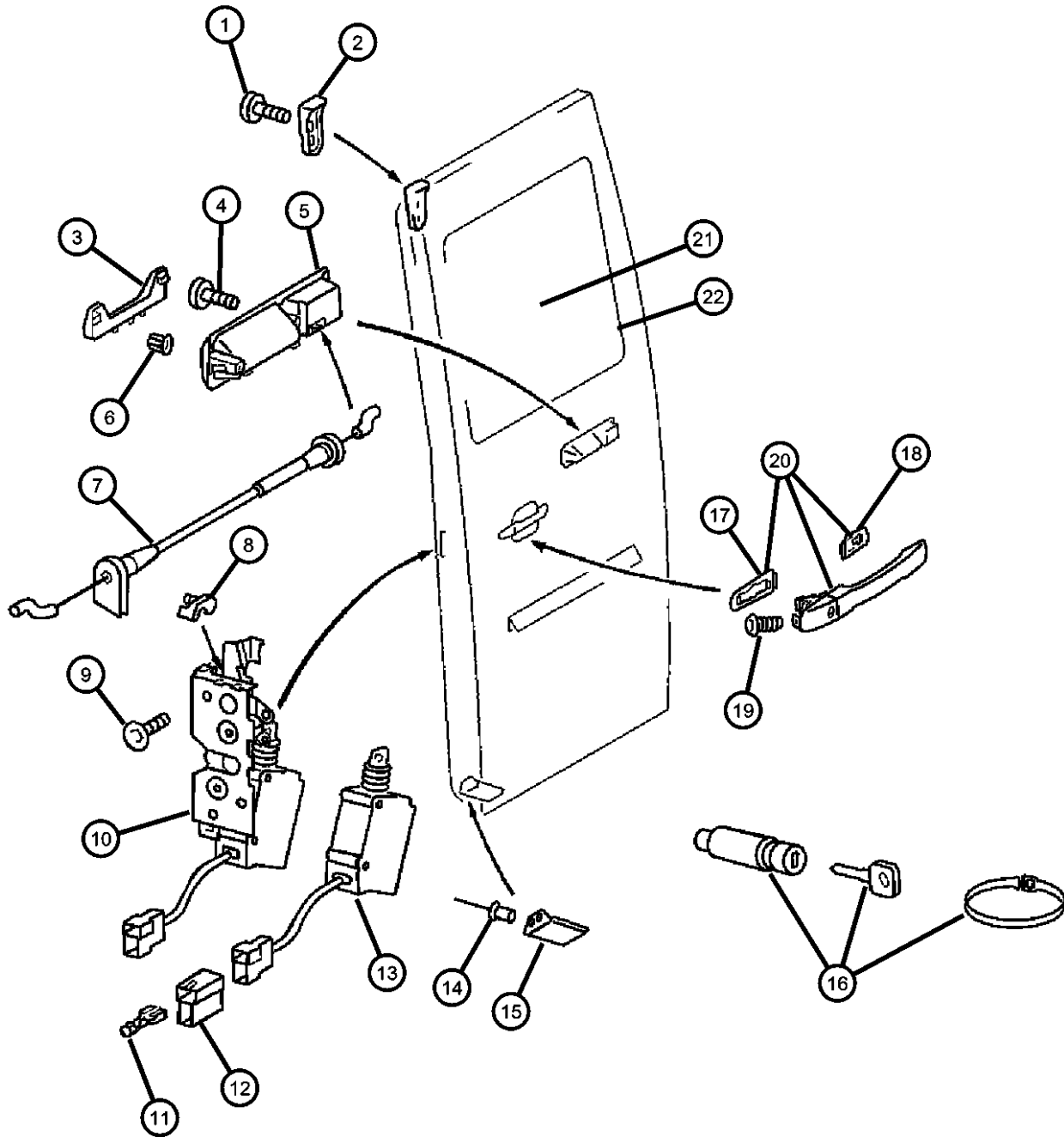
ITEM	PART NUMBER	QTY	LINE	SERIES	BODY	ENGINE	TRANS	TRIM	DESCRIPTION
		99	2, 6	L	01, 02, 06				
		99	2, 6	L	51, 52, 54, 55, 56				
		99	3, 7	L	02, 06				
		99	3, 7	L	12, 15, 16				
12	05103754AA	1	2, 6	L	01, 02, 06				INSULATOR, 2 Way Female
		1	2, 6	L	11, 12, 14, 15, 16				
		1	2, 6	L	51, 52, 54, 55, 56				
		1	3, 7	L	02, 06				
		2	3, 7	L	12, 15, 16				
13	05133998AA	1	2, 6	L	11, 12, 14, 15, 16				ACTUATOR, Power Door Lock
		1	2, 6	L	51, 52, 54, 55, 56				
		1	3, 7	L	12, 15, 16				
14	05125819AA	2	2, 6	L	11, 12, 14, 15, 16				RIVET
		2	2, 6	L	51, 52, 54, 55, 56				
		2	3, 7	L	12, 15, 16				
15	05123999AA	1	2, 6	L	11, 12, 14, 15, 16				SPACER, Door Lock Striker
		1	2, 6	L	51, 52, 54, 55, 56				
		1	3, 7	L	12, 15, 16				
16	05133521AA	1	2, 6	L	01, 02, 06				CYLINDER, Door Lock

SPRINTER (VA)

SERIES	LINE	BODY	ENGINE	TRANSMISSION
L = LOWLINE	3 = HD DODGE 2WD 8 = HD DODGE 4WD 6 = Lt. Duty DODGE 4WD 2 = Med. Duty DODGE 2WD 7 = Med. Duty DODGE 4WD 4 = TRUCK	12 = Van 140" 51 = Wagon 118" 52 = Wagon 140" 14 = Van 118" 15 = Van 140" 16 = Van 158" 54 = Wagon 118" 55 = Wagon 140" 56 = Wagon 158" 01 = Chassis Forward Control 118" 02 = Chassis Forward Control 140" 06 = Front Section 158" 11 = Van 118"	EX8 = Engine - 2.7L I5 Mercedes-Benz TD	DGJ = Transmission - 5-Spd Auto, MB

AR = use ase required - = Non illustrated part

**Door, Cargo Glass And Hardware
Figure DVA-420**



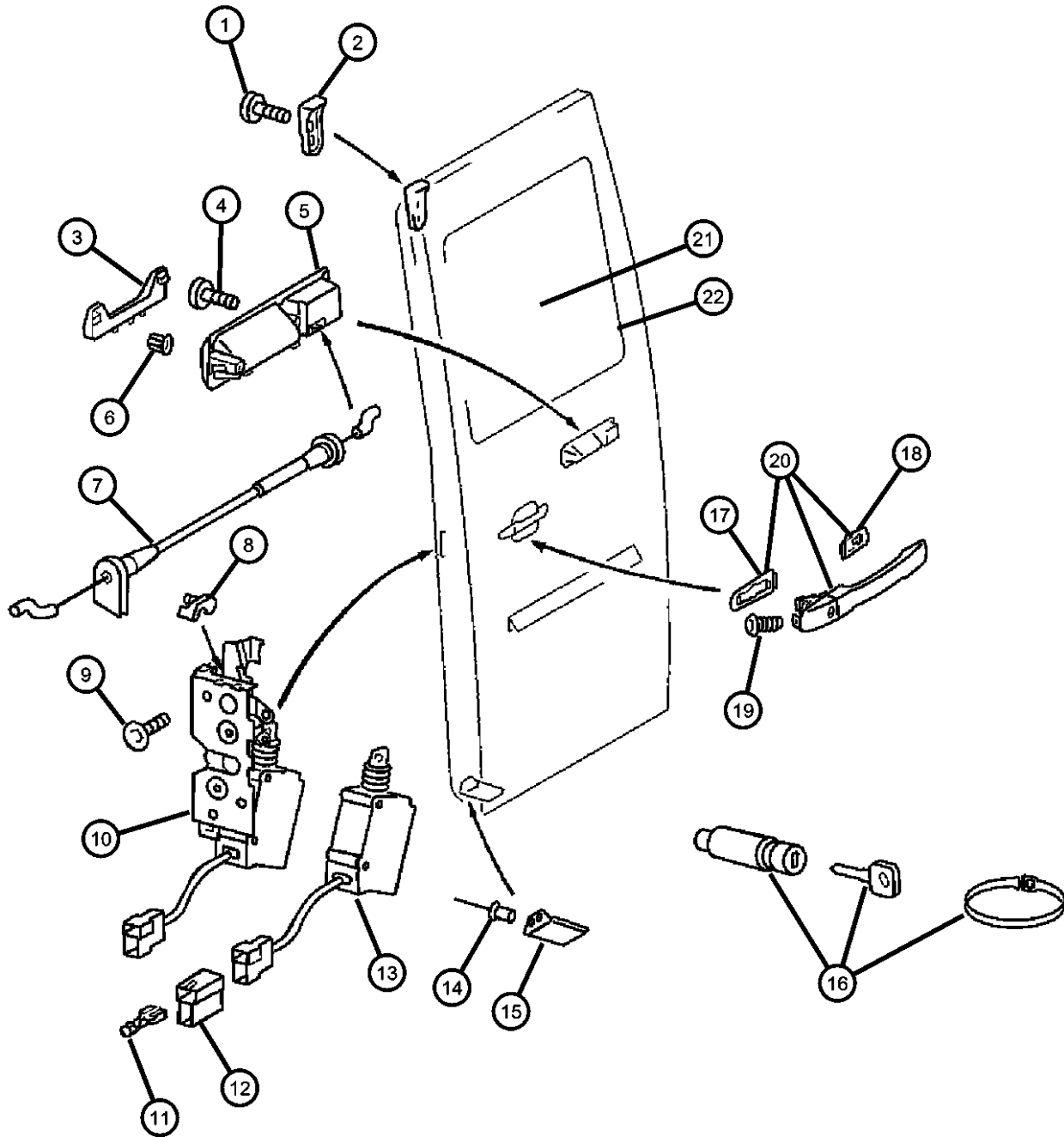
ITEM	PART NUMBER	QTY	LINE	SERIES	BODY	ENGINE	TRANS	TRIM	DESCRIPTION
		1	2, 6	L	11, 12, 14, 15, 16				
		1	2, 6	L	51, 52, 54, 55, 56				
		1	3, 7	L	02, 06				
		1	3, 7	L	12, 15, 16				
17									PAD
	05103673AA	1	2, 6	L	11, 12, 14, 15, 16				
		1	2, 6	L	51, 52, 54, 55, 56				
		1	3, 7	L	12, 15, 16				
18									PAD
	05103672AA	1	2, 6	L	11, 12, 14, 15, 16				
		1	2, 6	L	51, 52, 54, 55, 56				
		1	3, 7	L	12, 15, 16				
19									SCREW, Front Door Handle
	05125414AA	1	2, 6	L	11, 12, 14, 15, 16				
		1	2, 6	L	51, 52, 54, 55, 56				
		1	3, 7	L	12, 15, 16				
20									HANDLE, Front Door
	05124094AA	1	2, 6	L	11, 12, 14, 15, 16				
		1	2, 6	L	51, 52, 54, 55, 56				
		1	3, 7	L	12, 15, 16				
21									GLASS, Cargo Door
	05124006AA	1	2, 6	L	11, 12, 14, 15, 16				[GEM+GAQ,3FQ], Left
		1	3, 7	L	12, 15, 16				[GEM+GAQ,3FQ], Left

SPRINTER (VA)

SERIES	LINE	BODY	ENGINE	TRANSMISSION
L = LOWLINE	3 = HD DODGE 2WD 8 = HD DODGE 4WD 6 = Lt. Duty DODGE 4WD 2 = Med. Duty DODGE 2WD 7 = Med. Duty DODGE 4WD 4 = TRUCK	12 = Van 140" 51 = Wagon 118" 52 = Wagon 140" 14 = Van 118" 15 = Van 140" 16 = Van 158" 54 = Wagon 118" 55 = Wagon 140" 56 = Wagon 158"	EX8 = Engine - 2.7L I5 Mercedes-Benz TD	DGJ = Transmission - 5-Spd Auto, MB
		01 = Chassis Forward Control 118" 02 = Chassis Forward Control 140" 06 = Front Section 158" 11 = Van 118"		

AR = use ase required - = Non illustrated part

**Door, Cargo Glass And Hardware
Figure DVA-420**



ITEM	PART NUMBER	QTY	LINE	SERIES	BODY	ENGINE	TRANS	TRIM	DESCRIPTION
	05124008AA	1	2, 6	L	11, 12, 14, 15, 16				[GEM+GAQ,3FQ], Right
		1	2, 6	L	51, 52, 54, 55, 56				[GAQ,3FQ-GL8], Right
		1	3, 7	L	12, 15, 16				[GEM+GAQ,3FQ], Right
	05124014AA	1	2, 6	L	11, 12, 14, 15, 16				[GEM+GAQ,3FQ+GFA], Left
		1	2, 6	L	51, 52, 54, 55, 56				[GAQ,3FQ-GL8], Left
		1	3, 7	L	12, 15, 16				[GEM+GAQ,3FQ+GFA], Left
	05124016AA	1	2, 6	L	11, 12, 14, 15, 16				[GAQ,3FQ+GFA+GEM], Right
		1	6, 2	L	51, 52, 54, 55, 56				[GAQ,3FQ+GFA], Right
		1	3, 7	L	12, 15, 16				[GAQ,3FQ+GFA+GEM], Right
	05134318AA	1	2, 6	L	11, 12, 14, 15, 16				[GAQ,3FQ+GFA+GEM+GAE], Left
		1	2, 6	L	51, 52, 54, 55, 56				[GAQ,3FQ+GFA], Left
		1	2, 6	L	51, 52, 54, 55, 56				[GAQ,3FQ+GFA+GAE], Left
		1	3, 7	L	12, 15, 16				[GAQ,3FQ+GFA+GEM+GAE], Left
	05134319AA	1	2, 6	L	11, 12, 14, 15, 16				[GAQ,3FQ+GEM+GAE], Left
		1	2, 6	L	51, 52, 54, 55, 56				[GAQ,3FQ+GAE-GL8], Left
		1	3, 7	L	12, 15, 16				[GAQ,3FQ+GEM+GAE], Left
	05134324AA	1	2, 6	L	51, 52, 54, 55, 56				[GAQ,3FQ+GFA+GAE], Right
		1	2, 6	L	11, 12, 14, 15, 16				[GAQ,3FQ+GFA+GEM+GAE], Right
		1	3, 7	L	12, 15, 16				[GAQ,3FQ+GFA+GEM+GAE], Right
	05134325AA	1	2, 6	L	11, 12, 14, 15, 16				[GAQ,3FQ+GFA+GAE], Right

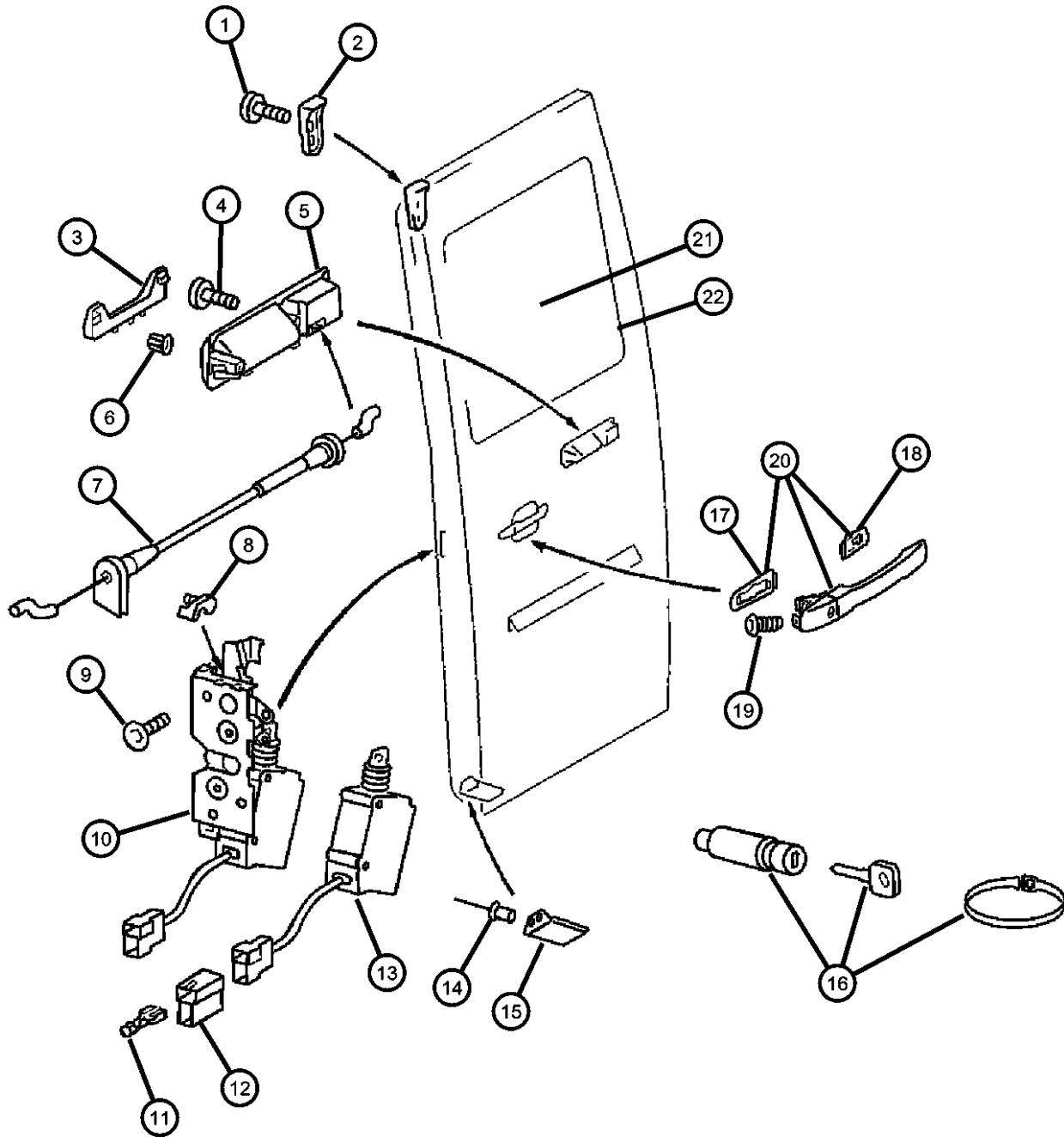
SPRINTER (VA)

SERIES	LINE	BODY	ENGINE	TRANSMISSION
L = LOWLINE	3 = HD DODGE 2WD 8 = HD DODGE 4WD 6 = Lt. Duty DODGE 4WD 2 = Med. Duty DODGE 2WD 7 = Med. Duty DODGE 4WD 4 = TRUCK	12 = Van 140" 51 = Wagon 118" 52 = Wagon 140" 14 = Van 118" 15 = Van 140" 16 = Van 158" 54 = Wagon 118" 55 = Wagon 140" 56 = Wagon 158" 01 = Chassis Forward Control 118" 02 = Chassis Forward Control 140" 06 = Front Section 158" 11 = Van 118"	EX8 = Engine - 2.7L I5 Mercedes-Benz TD	DGJ = Transmission - 5-Spd Auto, MB

AR = use ase required - = Non illustrated part

**Door, Cargo Glass And Hardware
Figure DVA-420**

ITEM	PART NUMBER	QTY	LINE	SERIES	BODY	ENGINE	TRANS	TRIM	DESCRIPTION
------	-------------	-----	------	--------	------	--------	-------	------	-------------



		1	2, 6	L	51, 52, 54, 55, 56				[GAQ,3FQ+GAE-GL8], Right
		1	3, 7	L	12, 15, 16				[GAQ,3FQ+GFA+GAE], Right
22									WEATHERSTRIP, Sliding Door Glass
	05104364AA	1	2, 6	L	51, 52, 54, 55, 56				
		1	2, 6	L	11, 12, 14, 15, 16				
		1	3, 7	L	12, 15, 16				

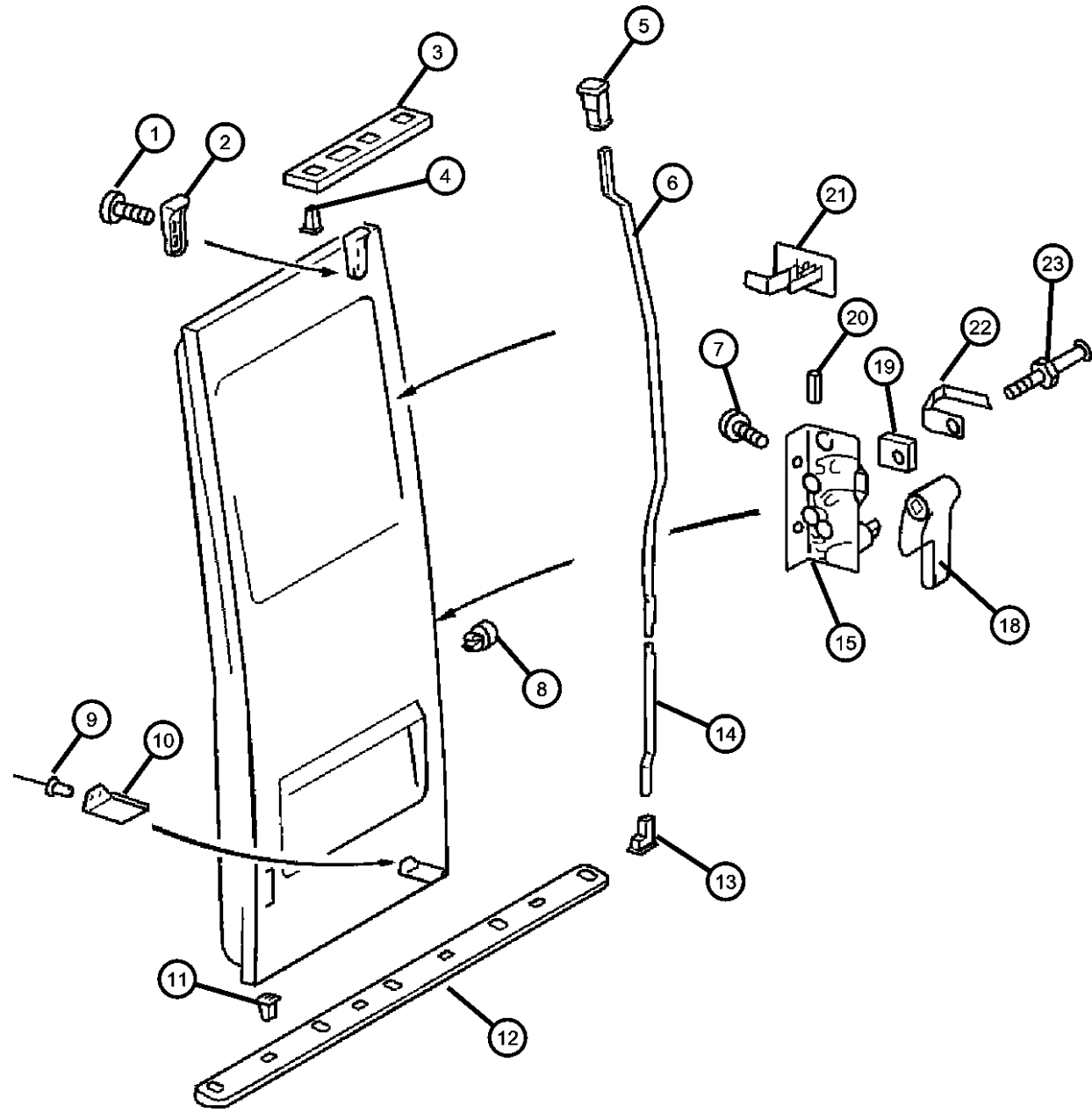
SPRINTER (VA)

SERIES	LINE	BODY	ENGINE	TRANSMISSION
L = LOWLINE	3 = HD DODGE 2WD 8 = HD DODGE 4WD 6 = Lt. Duty DODGE 4WD 2 = Med. Duty DODGE 2WD 7 = Med. Duty DODGE 4WD 4 = TRUCK	12 = Van 140" 51 = Wagon 118" 52 = Wagon 140" 14 = Van 118" 15 = Van 140" 16 = Van 158" 54 = Wagon 118" 55 = Wagon 140" 56 = Wagon 158" 01 = Chassis Forward Control 118" 02 = Chassis Forward Control 140" 06 = Front Section 158" 11 = Van 118"	EX8 = Engine - 2.7L I5 Mercedes-Benz TD	DGJ = Transmission - 5-Spd Auto, MB

AR = use ase required - = Non illustrated part

2005 VA

**Door, Cargo Lock And Control
Figure DVA-430**



ITEM	PART NUMBER	QTY	LINE	SERIES	BODY	ENGINE	TRANS	TRIM	DESCRIPTION
1	06104142AA	2	2, 6	L	01, 02, 06				SCREW
		2	2, 6	L	11, 12, 14, 15, 16				
		2	2, 6	L	51, 52, 54, 55, 56				
		2	3, 7	L	02, 06				
		2	3, 7	L	12, 15, 16				
2	05123997AA	1	2, 6	L	11, 12, 14, 15, 16				SPACER, Door Lock Striker
		1	2, 6	L	51, 52, 54, 55, 56				
		1	3, 7	L	12, 15, 16				
3	05104428AA	1	3, 7	L	12, 15, 16				PLATE, Door Latch Striker
		1	2, 6	L	11, 12, 14, 15, 16				
		1	2, 6	L	51, 52, 54, 55, 56				
4	05104536AA	10	2, 6	L	11, 12, 14, 15, 16				RETAINER
		10	2, 6	L	51, 52, 54, 55, 56				
		10	3, 7	L	12, 15, 16				
5	05104384AA	1	2, 6	L	51, 52, 54, 55, 56				GUIDE
		1	2, 6	L	11, 12, 14, 15, 16				
		1	3, 7	L	12, 15, 16				
6	05133928AA	1	2, 6	L	11, 12				ROD, Inside Handle to Latch With Standard Roof

SPRINTER (VA)

SERIES

L = LOWLINE

LINE

3 = HD DODGE 2WD
 8 = HD DODGE 4WD
 6 = Lt. Duty DODGE 4WD
 2 = Med. Duty DODGE 2WD
 7 = Med. Duty DODGE 4WD
 4 = TRUCK

BODY

12 = Van 140"
 51 = Wagon 118"
 52 = Wagon 140"
 14 = Van 118"
 15 = Van 140"
 16 = Van 158"
 54 = Wagon 118"
 55 = Wagon 140"
 56 = Wagon 158"
 01 = Chassis Forward Control
 118"
 02 = Chassis Forward Control
 140"
 06 = Front Section 158"
 11 = Van 118"

ENGINE

EX8 = Engine - 2.7L I5
 Mercedes-Benz TD

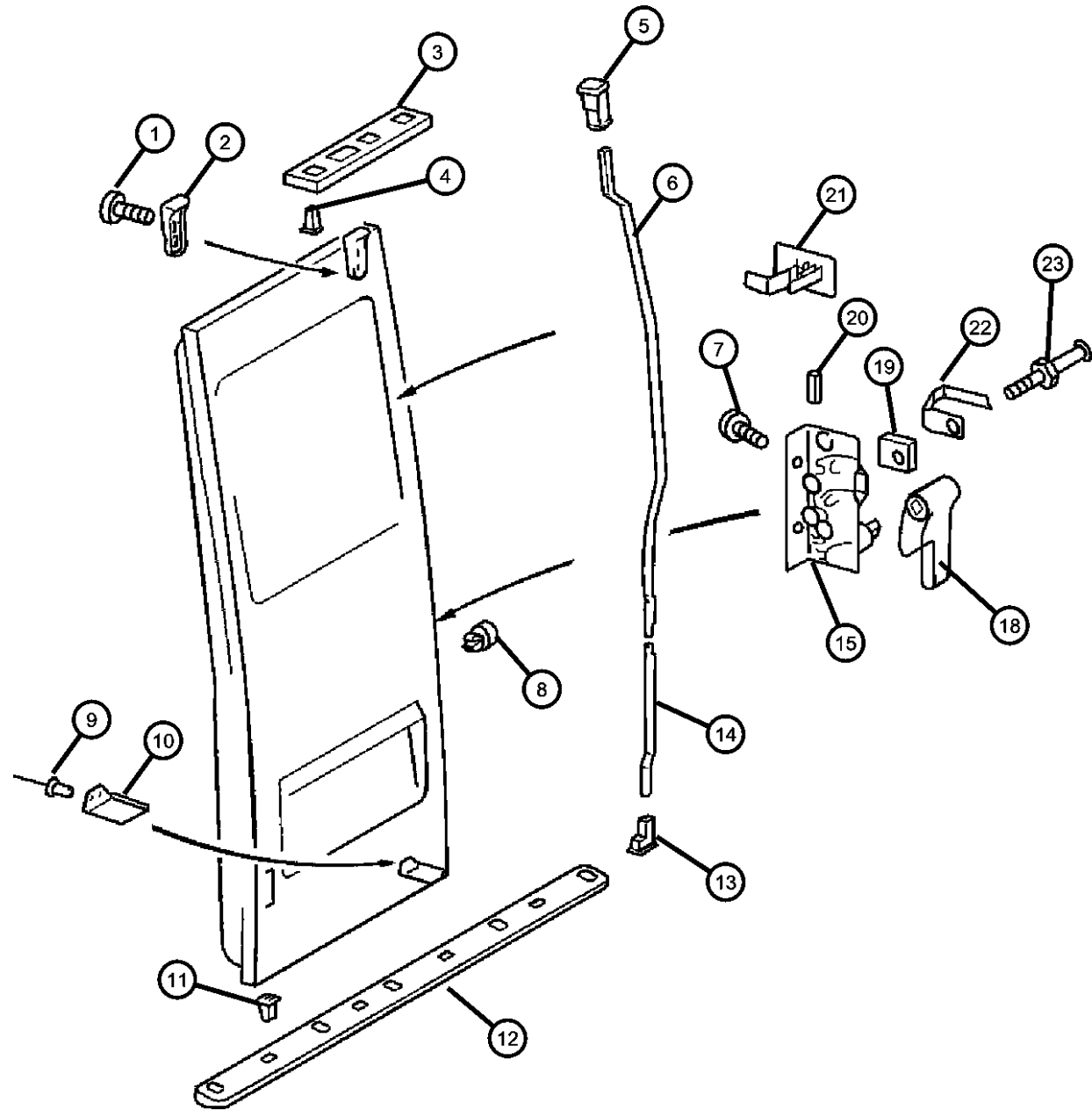
TRANSMISSION

DGJ = Transmission - 5-Spd Auto, MB

AR = use ase required - = Non illustrated part

2005 VA

**Door, Cargo Lock And Control
Figure DVA-430**



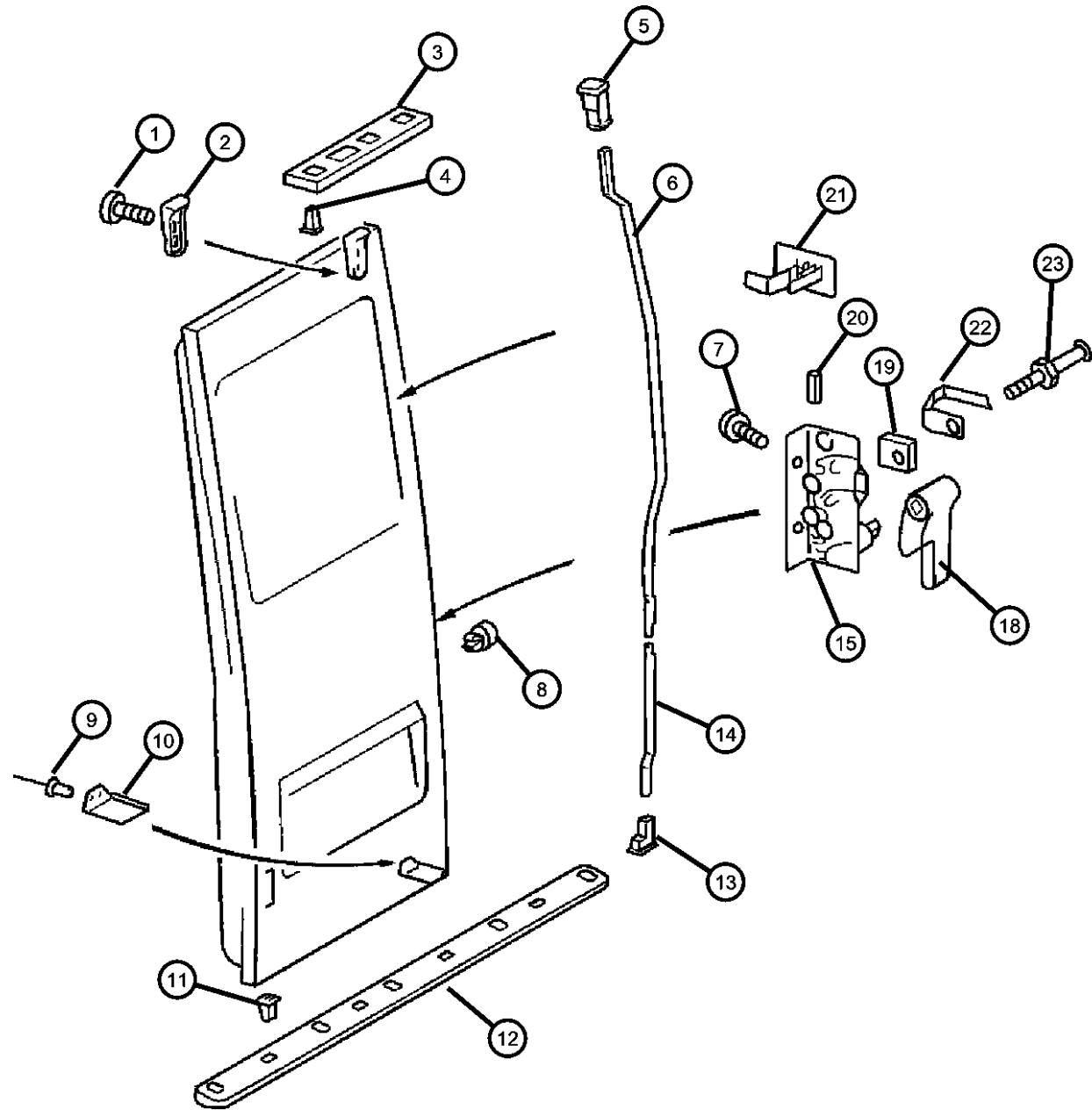
ITEM	PART NUMBER	QTY	LINE	SERIES	BODY	ENGINE	TRANS	TRIM	DESCRIPTION
		1	2, 6	L	51, 52				With Standard Roof
	05133929AA	1	2, 6	L	54, 55, 56				With High Roof
		1	3, 7	L	12				With Standard Roof
		1	2, 6	L	14, 15, 16				With High Roof
		1	3, 7	L	15, 16				With High Roof
7		1							SCREW, "ELECTRIC CHANGE-OVER VALVE TO BRACKET, M 6X12", SPRINTER, (NOT SERVICED), CLIP
8	05125577AA	2	3, 7	L	12, 15, 16				
		2	2, 6	L	11, 12, 14, 15, 16				
		2	2, 6	L	51, 52, 54, 55, 56				
9	05125819AA	2	2, 6	L	11, 12, 14, 15, 16				RIVET
		2	2, 6	L	51, 52, 54, 55, 56				
		2	3, 7	L	12, 15, 16				
10	05123997AA	1	2, 6	L	11, 12, 14, 15, 16				SPACER, Door Lock Striker
		1	2, 6	L	51, 52, 54, 55, 56				
		1	3, 7	L	12, 15, 16				
11	05104536AA	10	2, 6	L	11, 12, 14, 15, 16				RETAINER
		10	2, 6	L	51, 52, 54, 55, 56				
		10	3, 7	L	12, 15, 16				
12									PLATE, Rear Door Scuff

SPRINTER (VA)

SERIES	LINE	BODY	ENGINE	TRANSMISSION
L = LOWLINE	3 = HD DODGE 2WD 8 = HD DODGE 4WD 6 = Lt. Duty DODGE 4WD 2 = Med. Duty DODGE 2WD 7 = Med. Duty DODGE 4WD 4 = TRUCK	12 = Van 140" 51 = Wagon 118" 52 = Wagon 140" 14 = Van 118" 15 = Van 140" 16 = Van 158" 54 = Wagon 118" 55 = Wagon 140" 56 = Wagon 158" 01 = Chassis Forward Control 118" 02 = Chassis Forward Control 140" 06 = Front Section 158" 11 = Van 118"	EX8 = Engine - 2.7L I5 Mercedes-Benz TD	DGJ = Transmission - 5-Spd Auto, MB

AR = use ase required - = Non illustrated part

**Door, Cargo Lock And Control
Figure DVA-430**



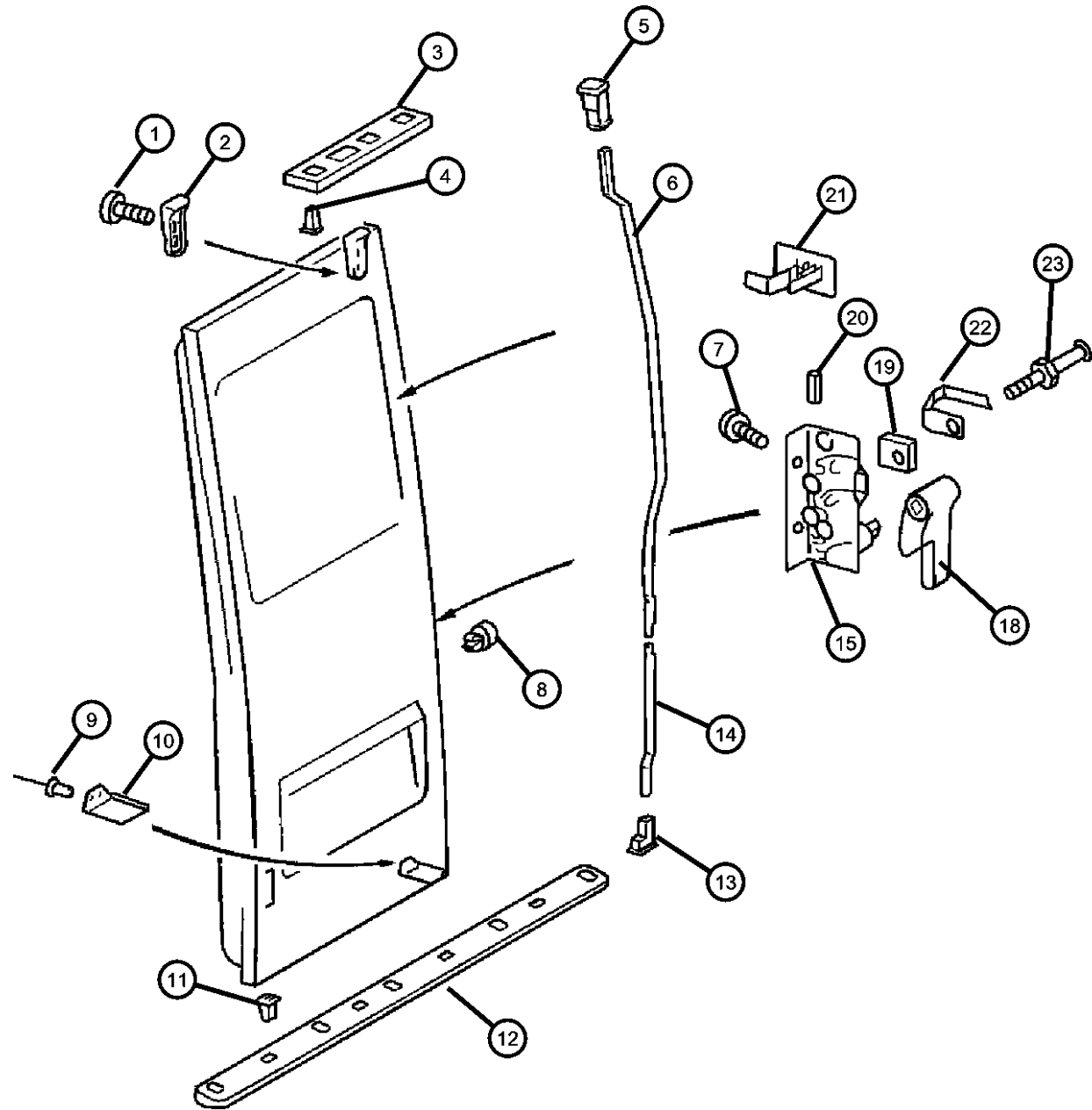
ITEM	PART NUMBER	QTY	LINE	SERIES	BODY	ENGINE	TRANS	TRIM	DESCRIPTION
	05104425AA	1	2, 6	L	11, 12, 14, 15, 16				
		1	2, 6	L	51, 52, 54, 55, 56				
		1	3, 7	L	12, 15, 16				
13									GUIDE
	05103959AA	1	2, 6	L	11, 12, 14, 15, 16				
		1	3, 7	L	12, 15, 16				
		1	2, 6	L	51, 52, 54, 55, 56				
14									ROD, Inside Handle to Latch
	05124000AA	1	2, 6	L	11, 12, 14, 15, 16				
		1	2, 6	L	51, 52, 54, 55, 56				
		1	3, 7	L	12, 15, 16				
15									LOCK, Rear Cargo Door
	05104368AA	1	3, 7	L	12, 15, 16				
		1	2, 6	L	11, 12, 14, 15, 16				
-16	05104371AA	1	3, 7	L	12, 15, 16				LATCH, Rear Door
-17	05104339AA	1	3, 7	L	12, 15, 16				LATCH, Rear ManualRight
18									HANDLE, Inside Release
	05104383AA	1	2, 6	L	11, 12, 14, 15, 16				
		1	2, 6	L	51, 52, 54, 55, 56				
		1	3, 7	L	12, 15, 16				
19									NUT
	05103668AA	1	2, 6	L	11, 12, 14, 15, 16				
		1	2, 6	L	51, 52, 54, 55, 56				

SPRINTER (VA)

SERIES	LINE	BODY	ENGINE	TRANSMISSION
L = LOWLINE	3 = HD DODGE 2WD 8 = HD DODGE 4WD 6 = Lt. Duty DODGE 4WD 2 = Med. Duty DODGE 2WD 7 = Med. Duty DODGE 4WD 4 = TRUCK	12 = Van 140" 51 = Wagon 118" 52 = Wagon 140" 14 = Van 118" 15 = Van 140" 16 = Van 158" 54 = Wagon 118" 55 = Wagon 140" 56 = Wagon 158" 01 = Chassis Forward Control 118" 02 = Chassis Forward Control 140" 06 = Front Section 158" 11 = Van 118"	EX8 = Engine - 2.7L I5 Mercedes-Benz TD	DGJ = Transmission - 5-Spd Auto, MB

AR = use ase required - = Non illustrated part

**Door, Cargo Lock And Control
Figure DVA-430**



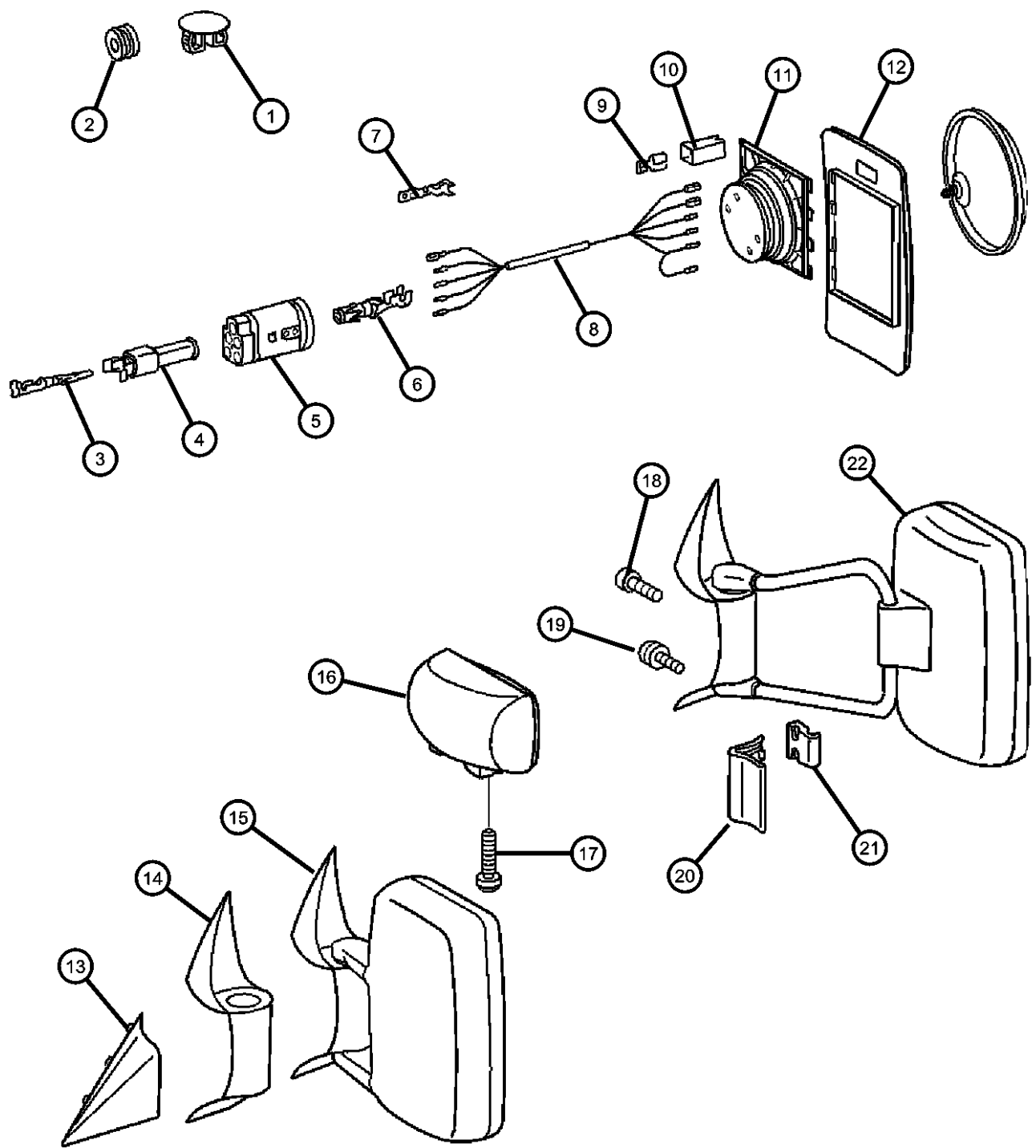
ITEM	PART NUMBER	QTY	LINE	SERIES	BODY	ENGINE	TRANS	TRIM	DESCRIPTION
20		1	3, 7	L	12, 15, 16				BUSHING
	05133930AA	1	2, 6	L	11, 12, 14, 15, 16				
		1	2, 6	L	51, 52, 54, 55, 56				
21		1	3, 7	L	12, 15, 16				GUIDE
	05104382AA	1	2, 6	L	11, 12, 14, 15, 16				
		1	2, 6	L	51, 52, 54, 55, 56				
22		1	3, 7	L	12, 15, 16				CLAMP
	05103670AA	1	2, 6	L	11, 12, 14, 15, 16				
		1	2, 6	L	51, 52, 54, 55, 56				
23		1	3, 7	L	12, 15, 16				PIN, Latch Striker
	05103669AA	1	2, 6	L	11, 12, 14, 15, 16				
		1	3, 7	L	12, 15, 16				
		1	2, 6	L	51, 52, 54, 55, 56				

SPRINTER (VA)

SERIES	LINE	BODY	ENGINE	TRANSMISSION
L = LOWLINE	3 = HD DODGE 2WD 8 = HD DODGE 4WD 6 = Lt. Duty DODGE 4WD 2 = Med. Duty DODGE 2WD 7 = Med. Duty DODGE 4WD 4 = TRUCK	12 = Van 140" 51 = Wagon 118" 52 = Wagon 140" 14 = Van 118" 15 = Van 140" 16 = Van 158" 54 = Wagon 118" 55 = Wagon 140" 56 = Wagon 158" 01 = Chassis Forward Control 118" 02 = Chassis Forward Control 140" 06 = Front Section 158" 11 = Van 118"	EX8 = Engine - 2.7L I5 Mercedes-Benz TD	DGJ = Transmission - 5-Spd Auto, MB

AR = use ase required - = Non illustrated part

Mirrors, Exterior
Figure DVA-520



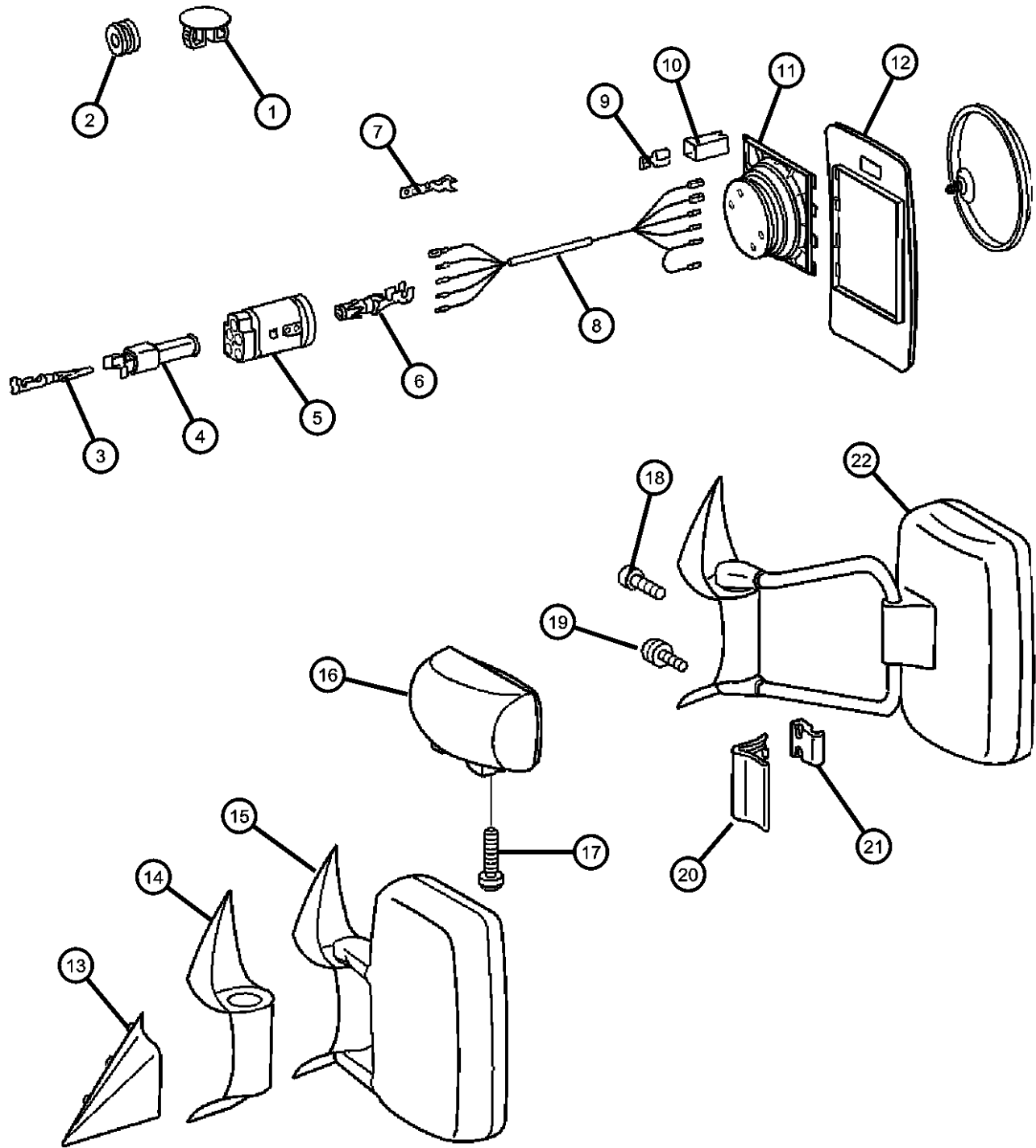
ITEM	PART NUMBER	QTY	LINE	SERIES	BODY	ENGINE	TRANS	TRIM	DESCRIPTION
1	05104032AA	1	2, 6	L	01, 02, 06				PLUG
		1	2, 6	L	11, 12, 14, 15, 16				
		1	2, 6	L	51, 52, 54, 55, 56				
		1	3, 7	L	12, 15, 16				
		1	3, 7	L	02, 06				
2	05125929AA	1	2, 6	L	01, 02, 06				GROMMET
		1	2, 6	L	11, 12, 14, 15, 16				
		1	2, 6	L	51, 52, 54, 55, 56				
		1	3, 7	L	02, 06				
		1	3, 7	L	12, 15, 16				
3	05104032AA	1	2, 6	L	01, 02, 06				PLUG
		1	2, 6	L	11, 12, 14, 15, 16				
		1	2, 6	L	51, 52, 54, 55, 56				
		1	3, 7	L	02, 06				
		1	3, 7	L	12, 15, 16				
4	05120744AA	1	2, 6	L	01, 02, 06				CONNECTOR
		1	2, 6	L	11, 12, 14, 15, 16				
		1	2, 6	L	51, 52, 54, 55, 56				
		1	3, 7	L	02, 06				
		1	3, 7	L	12, 15, 16				
5		1	2, 6	L	01, 02, 06				PLUG
		1	2, 6	L	11, 12, 14, 15, 16				
		1	2, 6	L	51, 52, 54, 55, 56				
		1	3, 7	L	02, 06				
		1	3, 7	L	12, 15, 16				

SPRINTER (VA)

SERIES	LINE	BODY	ENGINE	TRANSMISSION
L = LOWLINE	3 = HD DODGE 2WD 8 = HD DODGE 4WD 6 = Lt. Duty DODGE 4WD 2 = Med. Duty DODGE 2WD 7 = Med. Duty DODGE 4WD 4 = TRUCK	12 = Van 140" 51 = Wagon 118" 52 = Wagon 140" 14 = Van 118" 15 = Van 140" 16 = Van 158" 54 = Wagon 118" 55 = Wagon 140" 56 = Wagon 158"	EX8 = Engine - 2.7L I5 Mercedes-Benz TD	DGJ = Transmission - 5-Spd Auto, MB
		01 = Chassis Forward Control 118" 02 = Chassis Forward Control 140" 06 = Front Section 158" 11 = Van 118"		

AR = use ase required - = Non illustrated part

Mirrors, Exterior
Figure DVA-520



ITEM	PART NUMBER	QTY	LINE	SERIES	BODY	ENGINE	TRANS	TRIM	DESCRIPTION
	05133508AA	1	2, 6	L	01, 02, 06				
		1	2, 6	L	11, 12, 14, 15, 16				
		1	2, 6	L	51, 52, 54, 55, 56				
		1	3, 7	L	02, 06				
6		1	3, 7	L	12, 15, 16				TERMINAL
	05133509AA	5	2, 6	L	01, 02, 06				
		5	2, 6	L	11, 12, 14, 15, 16				
		5	2, 6	L	51, 52, 54, 55, 56				
		5	3, 7	L	02, 06				
		5	3, 7	L	12, 15, 16				
7									TERMINAL, Male
	05133377AA	1	2, 6	L	01, 02, 06				
		1	2, 6	L	11, 12, 14, 15, 16				
		1	2, 6	L	51, 52, 54, 55, 56				
		1	3, 7	L	02, 06				
		1	3, 7	L	12, 15, 16				
8									WIRING, Mirror Jumper
	05133502AA	1	2, 6	L	01, 02, 06				
		1	2, 6	L	11, 12, 14, 15, 16				
		1	2, 6	L	51, 52, 54, 55, 56				
	05133503AA	1	2, 6	L	01, 02, 06				[4E9,4XL]
		1	2, 6	L	11, 12, 14, 15, 16				[4E9,4XL]

SPRINTER (VA)

SERIES

L = LOWLINE

LINE

3 = HD DODGE 2WD
 8 = HD DODGE 4WD
 6 = Lt. Duty DODGE 4WD
 2 = Med. Duty DODGE 2WD
 7 = Med. Duty DODGE 4WD
 4 = TRUCK

BODY

12 = Van 140"
 51 = Wagon 118"
 52 = Wagon 140"
 14 = Van 118"
 15 = Van 140"
 16 = Van 158"
 54 = Wagon 118"
 55 = Wagon 140"
 56 = Wagon 158"
 01 = Chassis Forward Control 118"
 02 = Chassis Forward Control 140"
 06 = Front Section 158"
 11 = Van 118"

ENGINE

EX8 = Engine - 2.7L I5
 Mercedes-Benz TD

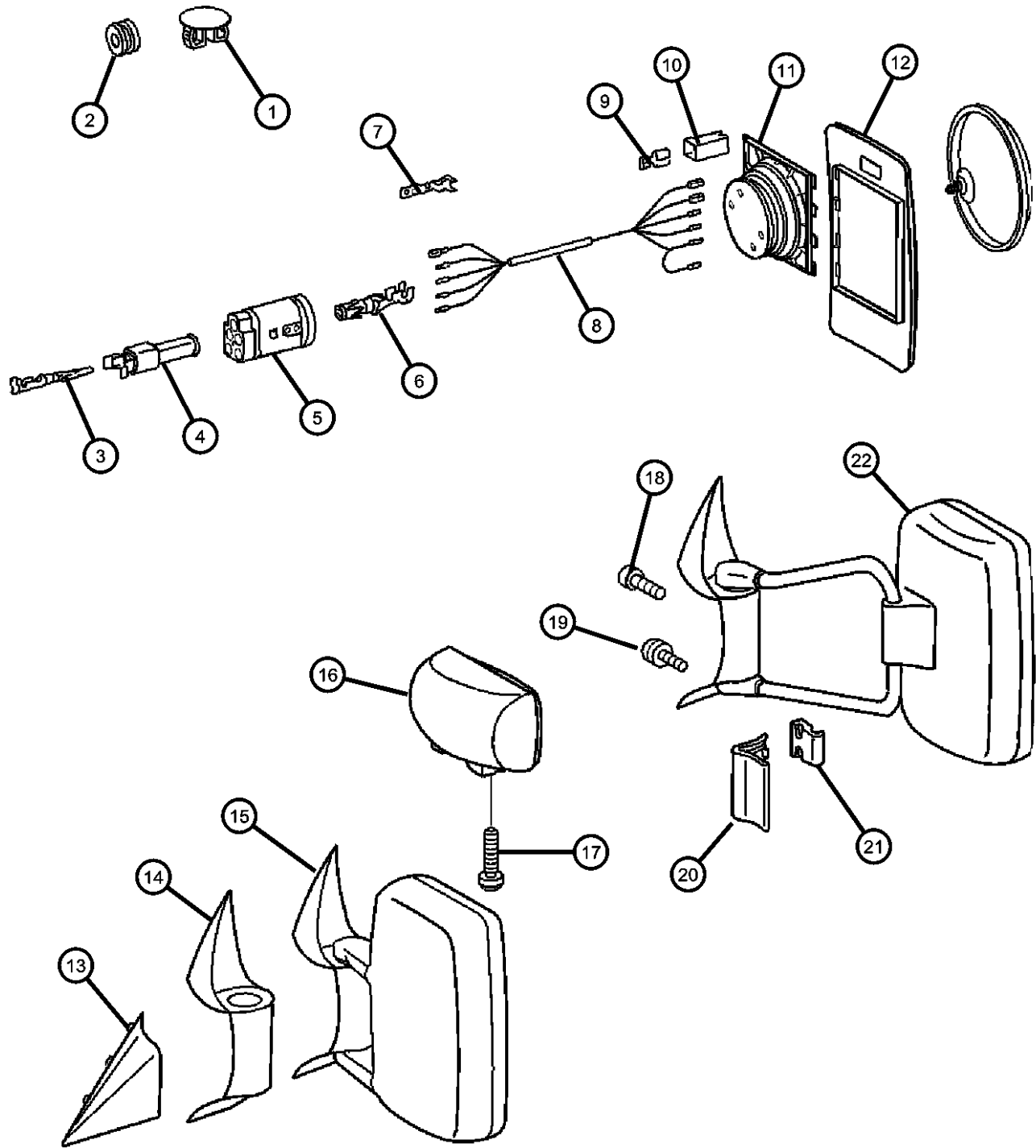
TRANSMISSION

DGJ = Transmission - 5-Spd Auto, MB

AR = use ase required - = Non illustrated part

2005 VA

Mirrors, Exterior
Figure DVA-520



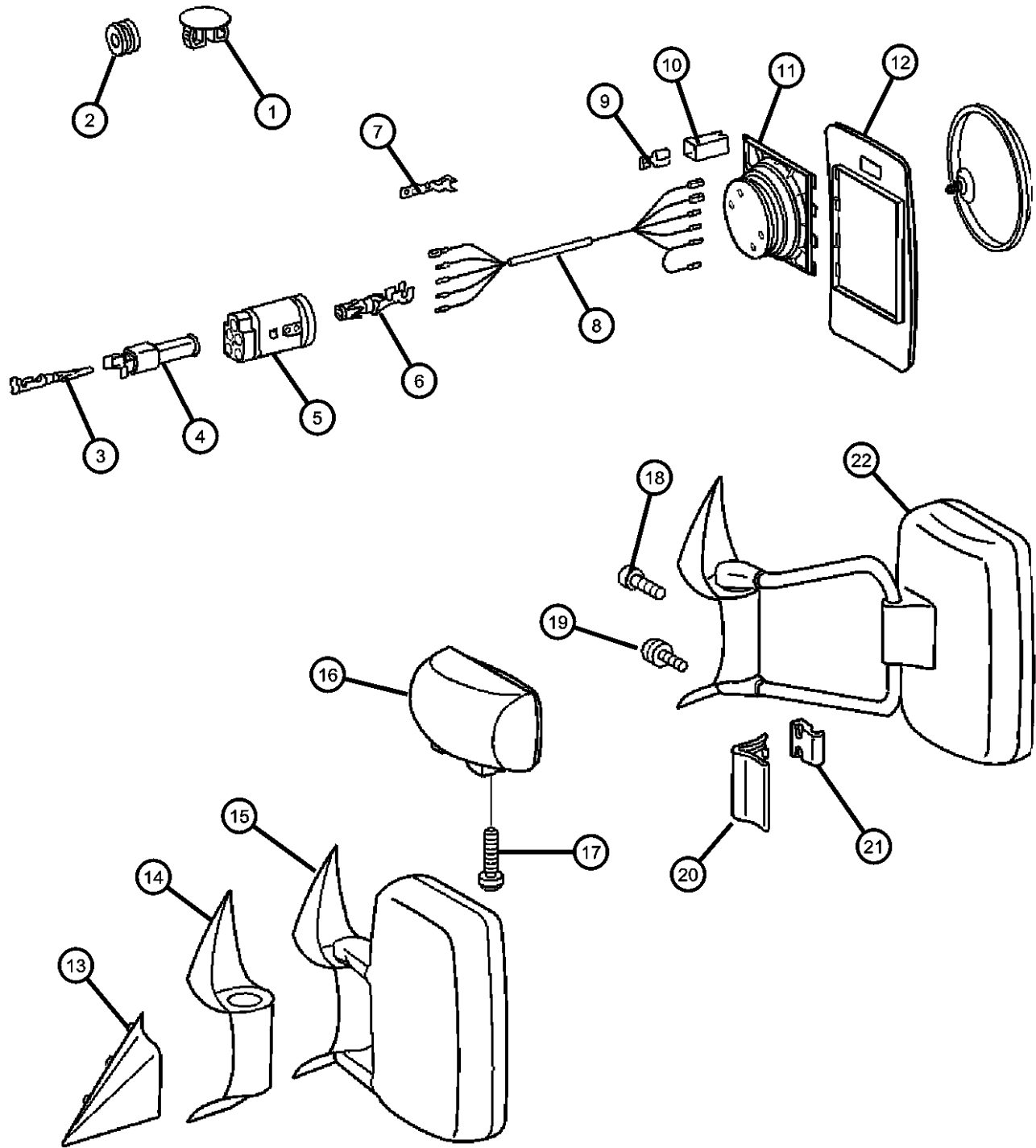
ITEM	PART NUMBER	QTY	LINE	SERIES	BODY	ENGINE	TRANS	TRIM	DESCRIPTION
9		1	2, 6	L	51, 52, 54, 55, 56				[4E9,4XL] PLUG
	05133367AA	1	2, 6	L	01, 02, 06				
		1	2, 6	L	11, 12, 14, 15, 16				
		1	2, 6	L	51, 52, 54, 55, 56				
		1	3, 7	L	02, 06				
		1	3, 7	L	12, 15, 16				
10		1	2, 6	L	01, 02, 06				TERMINAL
	05133504AA	1	2, 6	L	11, 12, 14, 15, 16				
		1	2, 6	L	51, 52, 54, 55, 56				
		1	3, 7	L	02, 06				
		1	3, 7	L	12, 15, 16				
11		1	2, 6	L	01, 02, 06				MOTOR, Electric
	05133505AA	1	2, 6	L	11, 12, 14, 15, 16				
		1	2, 6	L	51, 52, 54, 55, 56				
		1	3, 7	L	02, 06				
		1	3, 7	L	12, 15, 16				
12		1	2, 6	L	01, 02, 06				GLASS, Mirror Replacement
	05103757AA	1	2, 6	L	11, 12, 14, 15, 16				Right
		1	2, 6	L	51, 52, 54, 55, 56				Right
		1	3, 7	L	02, 06				Right

SPRINTER (VA)

SERIES	LINE	BODY	ENGINE	TRANSMISSION
L = LOWLINE	3 = HD DODGE 2WD 8 = HD DODGE 4WD 6 = Lt. Duty DODGE 4WD 2 = Med. Duty DODGE 2WD 7 = Med. Duty DODGE 4WD 4 = TRUCK	12 = Van 140" 51 = Wagon 118" 52 = Wagon 140" 14 = Van 118" 15 = Van 140" 16 = Van 158" 54 = Wagon 118" 55 = Wagon 140" 56 = Wagon 158" 01 = Chassis Forward Control 118" 02 = Chassis Forward Control 140" 06 = Front Section 158" 11 = Van 118"	EX8 = Engine - 2.7L I5 Mercedes-Benz TD	DGJ = Transmission - 5-Spd Auto, MB

AR = use ase required - = Non illustrated part

Mirrors, Exterior
Figure DVA-520



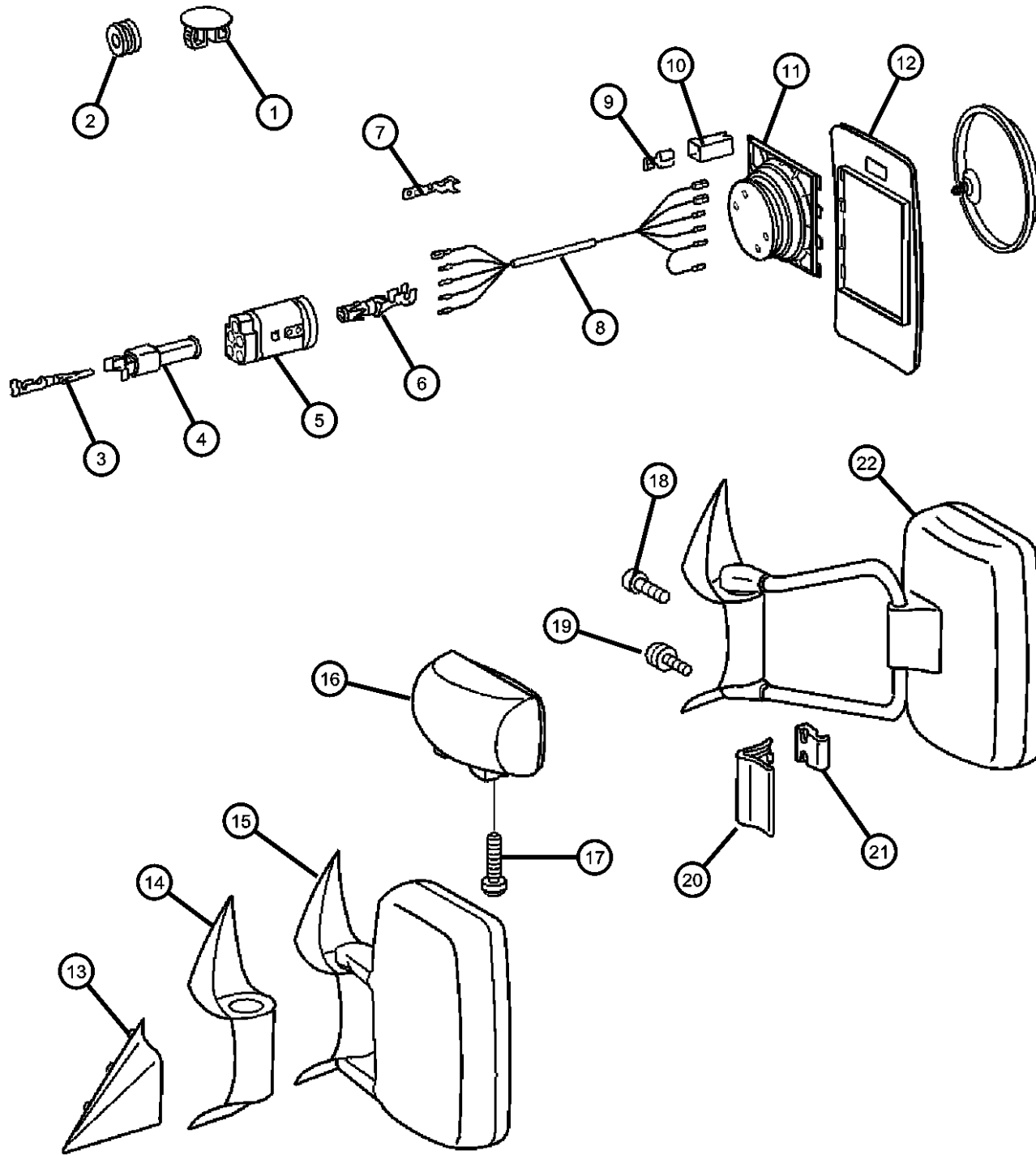
ITEM	PART NUMBER	QTY	LINE	SERIES	BODY	ENGINE	TRANS	TRIM	DESCRIPTION
									Right
	05103758AA	1	3, 7	L	12, 15, 16				Left
		1	2, 6	L	01, 02, 06				Left
		1	2, 6	L	11, 12, 14, 15, 16				Left
		1	2, 6	L	51, 52, 54, 55, 56				Left
		1	3, 7	L	02, 06				Left
		1	3, 7	L	12, 15, 16				Left
13	05104444AA	1	2, 6	L	51, 52, 54, 55, 56				COVER, Mirror Flag Left
		1	2, 6	L	11, 12, 14, 15, 16				Left
	05104445AA	1	3, 7	L	12, 15, 16				Left
		1	2, 6	L	11, 12, 14, 15, 16				Right
		1	2, 6	L	51, 52, 54, 55, 56				Right
		1	3, 7	L	12, 15, 16				Right
14	05104446AA	1	2, 6	L	01, 02, 06				COVER, Mirror Flag Left
		1	3, 7	L	02, 06				Left
		1	3, 7	L	12, 15, 16				Left
	05133499AA	1	2, 6	L	01, 02, 06				Right
		1	2, 6	L	11, 12, 14, 15, 16				Right
		1	2, 6	L	11, 12, 14, 15, 16				Left
		1	2, 6	L	51, 52, 54, 55, 56				Left
		1	2, 6	L	51, 52, 54, 55, 56				Right
		1	3, 7	L	12, 15, 16				Right

SPRINTER (VA)

SERIES	LINE	BODY	ENGINE	TRANSMISSION
L = LOWLINE	3 = HD DODGE 2WD 8 = HD DODGE 4WD 6 = Lt. Duty DODGE 4WD 2 = Med. Duty DODGE 2WD 7 = Med. Duty DODGE 4WD 4 = TRUCK	12 = Van 140" 51 = Wagon 118" 52 = Wagon 140" 14 = Van 118" 15 = Van 140" 16 = Van 158" 54 = Wagon 118" 55 = Wagon 140" 56 = Wagon 158" 01 = Chassis Forward Control 118" 02 = Chassis Forward Control 140" 06 = Front Section 158" 11 = Van 118"	EX8 = Engine - 2.7L I5 Mercedes-Benz TD	DGJ = Transmission - 5-Spd Auto, MB

AR = use ase required - = Non illustrated part

Mirrors, Exterior
Figure DVA-520



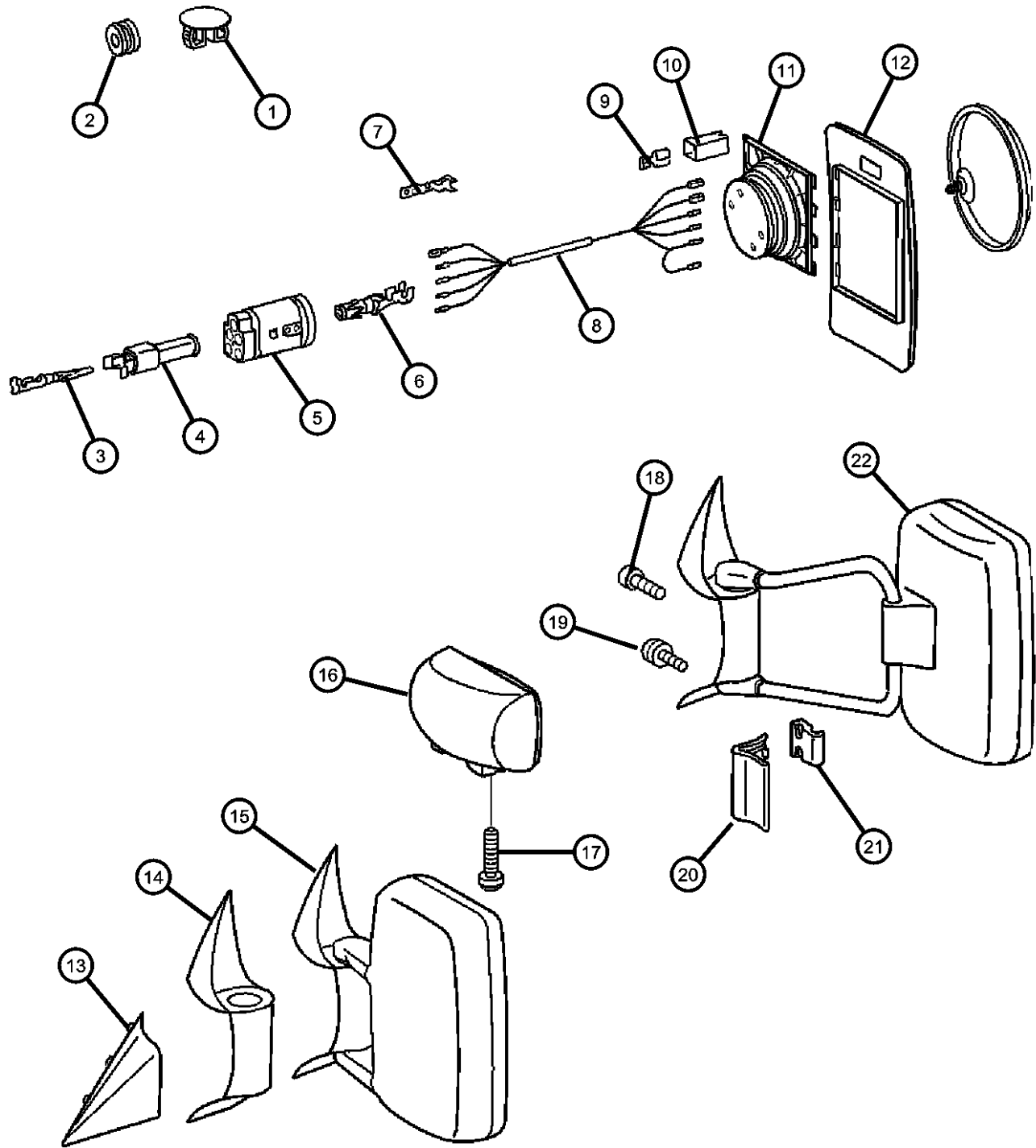
ITEM	PART NUMBER	QTY	LINE	SERIES	BODY	ENGINE	TRANS	TRIM	DESCRIPTION
		1	3, 7	L	02, 06				Right
15									MIRROR, Outside Rearview
	05104440AA	1	2, 6	L	01, 02, 06				[GTC], Left
		1	2, 6	L	51, 52, 54, 55, 56				[GTC], Left
		1	2, 6	L	11, 12, 14, 15, 16				[GTC], Left
		1	3, 7	L	02, 06				[GTC], Left
	05104441AA	1	2, 6	L	01, 02, 06				[GTC], Right
		1	3, 7	L	12, 15, 16				[GTC], Left
		1	2, 6	L	11, 12, 14, 15, 16				[GTC], Right
		1	2, 6	L	51, 52, 54, 55, 56				[GTC], Right
		1	3, 7	L	02, 06				[GTC], Right
		1	3, 7	L	12, 15, 16				[GTC], Right
	05104442AA	1	2, 6	L	01, 02, 06				[GTB], Left
		1	2, 6	L	11, 12, 14, 15, 16				[GTB], Left
		1	2, 6	L	51, 52, 54, 55, 56				[GTB]
		1	3, 7	L	02, 06				[GTB]
		1	3, 7	L	12, 15, 16				[GTB]
	05104443AA	1	2, 6	L	01, 02, 06				[GTB], Right
		1	2, 6	L	11, 12, 14, 15, 16				[GTB], Right
		1	2, 6	L	51, 52, 54, 55, 56				[GTB], Right
		1	3, 7	L	02, 06				[GTB], Right
		1	3, 7	L	12, 15, 16				[GTB], Right
	05140544AA	1	2, 6	L	01, 02, 06				[GYB], Left
		1	2, 6	L	11, 12, 14, 15, 16				[GYB], Left

SPRINTER (VA)

SERIES	LINE	BODY	ENGINE	TRANSMISSION
L = LOWLINE	3 = HD DODGE 2WD 8 = HD DODGE 4WD 6 = Lt. Duty DODGE 4WD 2 = Med. Duty DODGE 2WD 7 = Med. Duty DODGE 4WD 4 = TRUCK	12 = Van 140" 51 = Wagon 118" 52 = Wagon 140" 14 = Van 118" 15 = Van 140" 16 = Van 158" 54 = Wagon 118" 55 = Wagon 140" 56 = Wagon 158" 01 = Chassis Forward Control 118" 02 = Chassis Forward Control 140" 06 = Front Section 158" 11 = Van 118"	EX8 = Engine - 2.7L I5 Mercedes-Benz TD	DGJ = Transmission - 5-Spd Auto, MB

AR = use ase required - = Non illustrated part

Mirrors, Exterior
Figure DVA-520



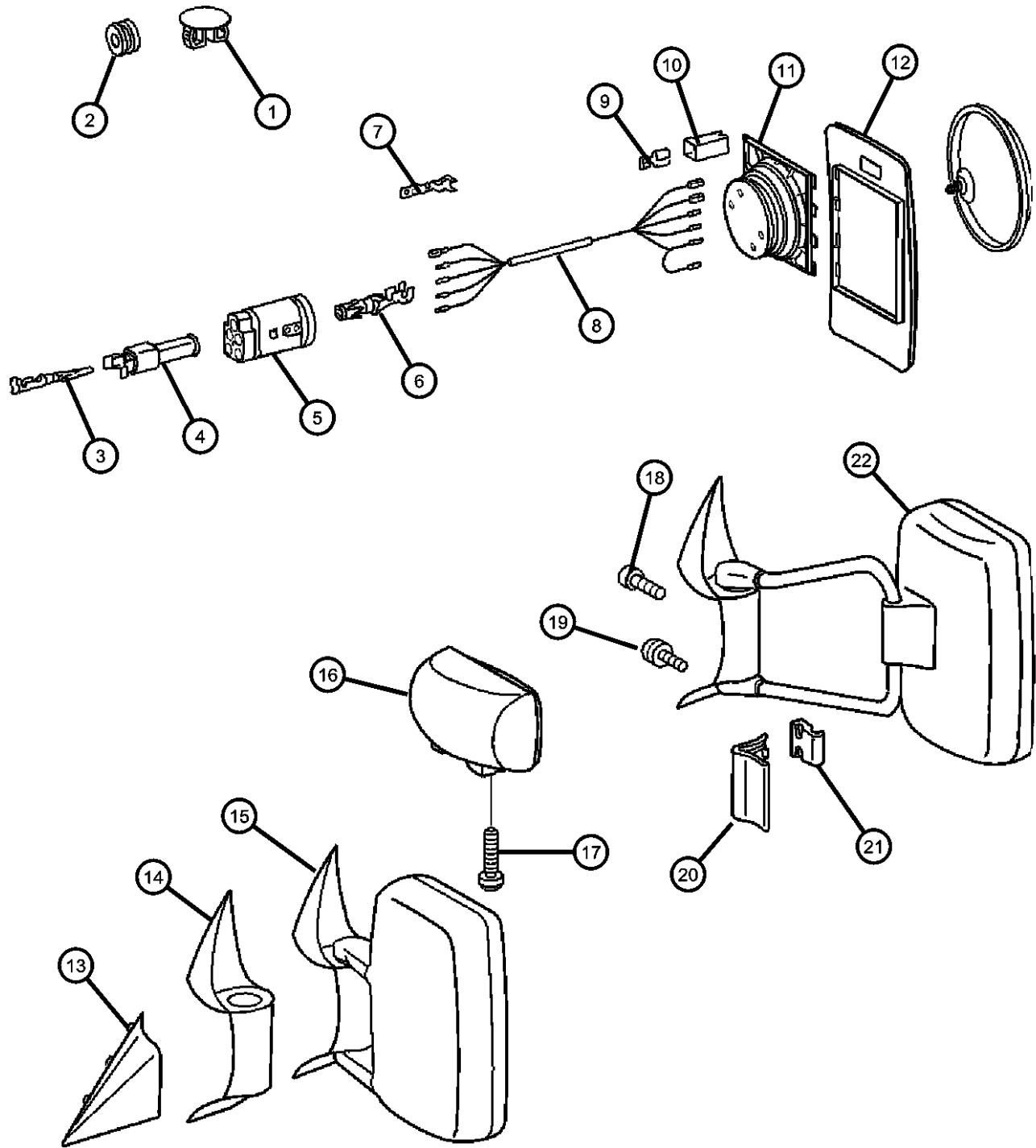
ITEM	PART NUMBER	QTY	LINE	SERIES	BODY	ENGINE	TRANS	TRIM	DESCRIPTION
		1	3, 7	L	02, 06				[GYB], Left
		1	3, 7	L	12, 15, 16				[GYB], Left
	05140545AA	1	2, 6	L	01, 02, 06				[GYB], Right
		1	6, 2	L	11, 12, 14, 15, 16				[GYB], Right
		1	3, 7	L	12, 15, 16				[GYB], Right
		1	3, 7	L	02, 06				[GYB], Right
16									MIRROR, Outside Rearview
	05103592AA	1	2, 6	L	01, 02, 06				[LEG], Left
		1	2, 6	L	11, 12, 14, 15, 16				[LEG], Left
		1	2, 6	L	51, 52, 54, 55, 56				[LEG], Left
		1	3, 7	L	02, 06				[LEG], Left
	05103593AA	1	3, 7	L	12, 15, 16				[LEG], Left
		1	2, 6	L	01, 02, 06				[LEG], Right
		1	2, 6	L	11, 12, 14, 15, 16				[LEG], Right
		1	2, 6	L	51, 52, 54, 55, 56				[LEG], Right
		1	3, 7	L	02, 06				[LEG], Right
		1	3, 7	L	12, 15, 16				[LEG], Right
17									SCREW
	05133507AA	2	2, 6	L	51, 52, 54, 55, 56				
		1	7, 3	L	02, 06				
		2	2, 6	L	01, 02, 06				
		2	2, 6	L	11, 12, 14, 15, 16				
		1	3, 7	L	12, 15, 16				
18									BOLT, Torx

SPRINTER (VA)

SERIES	LINE	BODY	ENGINE	TRANSMISSION
L = LOWLINE	3 = HD DODGE 2WD 8 = HD DODGE 4WD 6 = Lt. Duty DODGE 4WD 2 = Med. Duty DODGE 2WD 7 = Med. Duty DODGE 4WD 4 = TRUCK	12 = Van 140" 51 = Wagon 118" 52 = Wagon 140" 14 = Van 118" 15 = Van 140" 16 = Van 158" 54 = Wagon 118" 55 = Wagon 140" 56 = Wagon 158"	EX8 = Engine - 2.7L I5 Mercedes-Benz TD	DGJ = Transmission - 5-Spd Auto, MB
		01 = Chassis Forward Control 118" 02 = Chassis Forward Control 140" 06 = Front Section 158" 11 = Van 118"		

AR = use ase required - = Non illustrated part

Mirrors, Exterior
Figure DVA-520



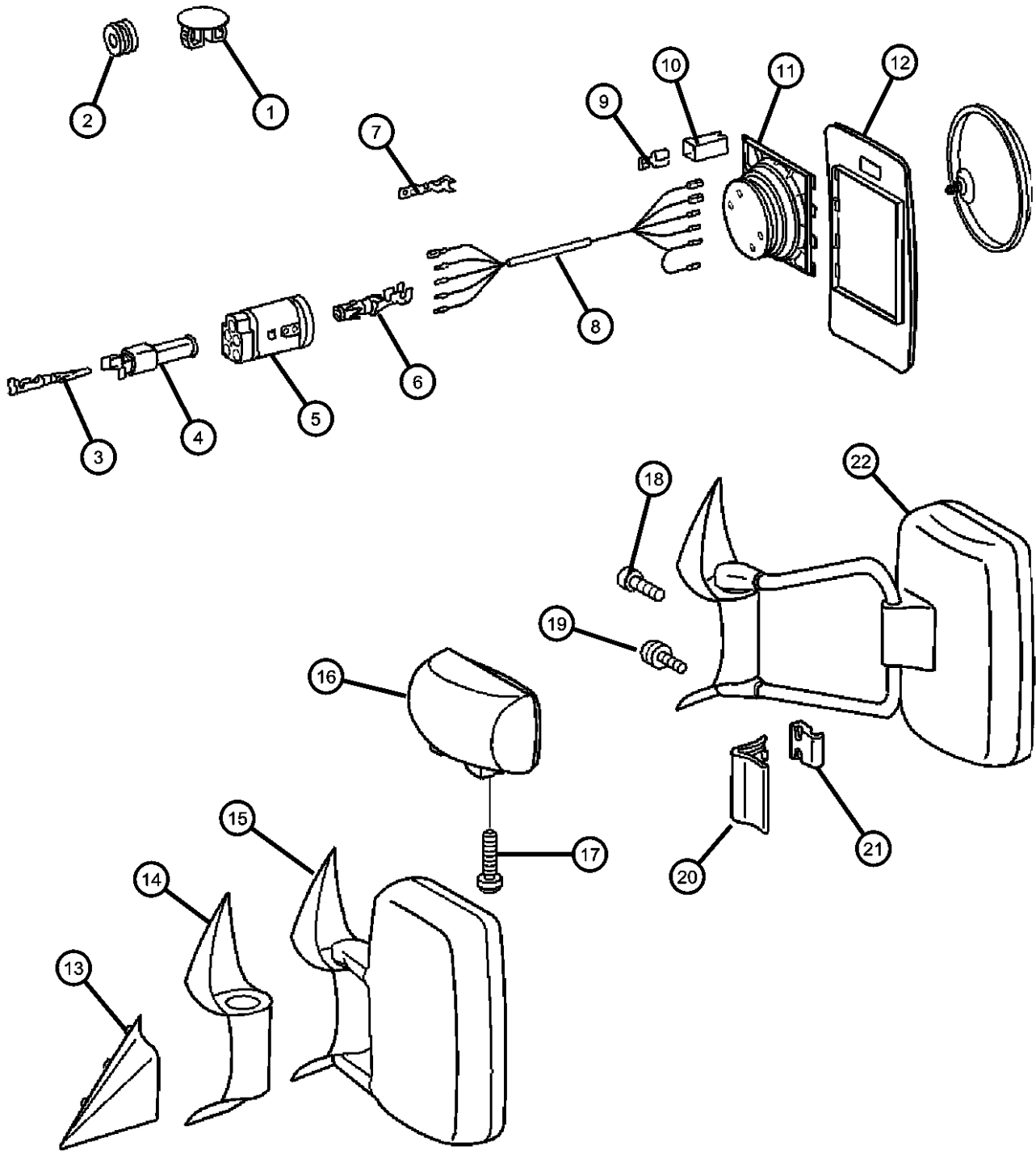
ITEM	PART NUMBER	QTY	LINE	SERIES	BODY	ENGINE	TRANS	TRIM	DESCRIPTION
	05125420AA	1	2, 6	L	11, 12, 14, 15, 16				
		1	2, 6	L	01, 02, 06				
		1	2, 6	L	51, 52, 54, 55, 56				
19	05104610AA	2	2, 6	L	01, 02, 06				SCREW
		2	2, 6	L	11, 12, 14, 15, 16				
		2	2, 6	L	51, 52, 54, 55, 56				
		2	3, 7	L	02, 06				
		2	3, 7	L	12, 15, 16				
20	05103675AA	1	2, 6	L	01, 02, 06				COVER, Mirror Flag
		1	2, 6	L	11, 12, 14, 15, 16				
		1	2, 6	L	51, 52, 54, 55, 56				
		1	3, 7	L	02, 06				
		1	3, 7	L	12, 15, 16				
21	05133500AA	2	2, 6	L	01, 02, 06				CLAMP
		2	2, 6	L	11, 12, 14, 15, 16				
		2	2, 6	L	51, 52, 54, 55, 56				
		2	3, 7	L	02, 06				
		2	3, 7	L	12, 15, 16				
22	05103594AA	1	2, 6	L	01, 02, 06				MIRROR, Outside Rearview
		1	3, 7	L	02, 06				[XZD+4XS] Or [XZD+4XS], Left
		1	3, 7	L	02, 06				[XZD+4XS] Or [XZD+4XS], Left

SPRINTER (VA)

SERIES	LINE	BODY	ENGINE	TRANSMISSION
L = LOWLINE	3 = HD DODGE 2WD 8 = HD DODGE 4WD 6 = Lt. Duty DODGE 4WD 2 = Med. Duty DODGE 2WD 7 = Med. Duty DODGE 4WD 4 = TRUCK	12 = Van 140" 51 = Wagon 118" 52 = Wagon 140" 14 = Van 118" 15 = Van 140" 16 = Van 158" 54 = Wagon 118" 55 = Wagon 140" 56 = Wagon 158" 01 = Chassis Forward Control 118" 02 = Chassis Forward Control 140" 06 = Front Section 158" 11 = Van 118"	EX8 = Engine - 2.7L I5 Mercedes-Benz TD	DGJ = Transmission - 5-Spd Auto, MB

AR = use ase required - = Non illustrated part

Mirrors, Exterior Figure DVA-520



ITEM	PART NUMBER	QTY	LINE	SERIES	BODY	ENGINE	TRANS	TRIM	DESCRIPTION
	05103595AA	1	2, 6	L	01, 02, 06				[XZD+4XS] Or [XZD+4XS], Right
		1	3, 7	L	02, 06				[XZD+4XS] Or [XZD+4XS], Right
	05124233AA	1	2, 6	L	01, 02, 06				[GTB+XZD+4XS] Or [GTB+XZD+4XS], Left
	05124235AA	1	2, 6	L	01, 02, 06				[GTB+XZD+4XS] Or [GTB+XZD+4XS], Right
		1	3, 7	L	02, 06				[GTB+XZD+4XS] Or [GTB+XZD+4XS], Right
	05124237AA	1	2, 6	L	01, 02, 06				[XZE+4XS] Or [XZE+4XS], Left
		1	3, 7	L	02, 06				[XZE+4XS] Or [XZE+4XS], Left
	05124239AA	1	2, 6	L	01, 02, 06				[XZE+4XS] Or [XZE+4XS], Right
		1	7, 3	L	02, 06				[GTB+XZD+4XS] Or [GTB+XZD+4XS], Left
	05124241AA	1	3, 7	L	02, 06				[GTB+XZE+4XS] Or [GTB+XZE+4XS], Left
	05124243AA	1	2, 6	L	01, 02, 06				[GTB+XZE+4XS] Or [GTB+XZE+4XS], Right
		1	3, 7	L	02, 06				[GTB+XZE+4XS] Or [GTB+XZE+4XS], Right
		1	3, 7	L	02, 06				[XZE+4XS] Or [XZE+4XS], Right
	05124251AA	1	3, 7	L	02, 06				[GTB+XZE+4XS] Or [GTB+XZE+4XS], Left
		1	3, 7	L	12, 15, 16				[LEG,GTB][4Z1,4XS], Left
	05124255AA	1	2, 6	L	01, 02, 06				[LEG,GTB][4Z1,4XS][4E9], Right
		1	2, 6	L	01, 02, 06				[LEG,GTB][4Z1,4XS][4E9], Left
		1	2, 6	L	11, 12, 14, 15, 16				[LEG,GTB][4Z1,4XS][4E9], Left
		1	2, 6	L	51, 52, 54, 55, 56				[LEG,GTB][4Z1,4XS][4E9], Left
	05124259AA	1	2, 6	L	01, 02, 06				[LEG][4Z1,4XS][4E9], Left
		1	2, 6	L	11, 12, 14, 15, 16				[LEG][4Z1,4XS][4E9], Left
		1	2, 6	L	11, 12, 14, 15, 16				[LEG,GTB][4Z1,4XS][4E9], Right

SPRINTER (VA)

SERIES

L = LOWLINE

LINE

3 = HD DODGE 2WD
8 = HD DODGE 4WD
6 = Lt. Duty DODGE 4WD
2 = Med. Duty DODGE 2WD
7 = Med. Duty DODGE 4WD
4 = TRUCK

BODY

12 = Van 140"
51 = Wagon 118"
52 = Wagon 140"
14 = Van 118"
15 = Van 140"
16 = Van 158"
54 = Wagon 118"
55 = Wagon 140"
56 = Wagon 158"
01 = Chassis Forward Control
118"
02 = Chassis Forward Control
140"
06 = Front Section 158"
11 = Van 118"

ENGINE

EX8 = Engine - 2.7L I5
Mercedes-Benz TD

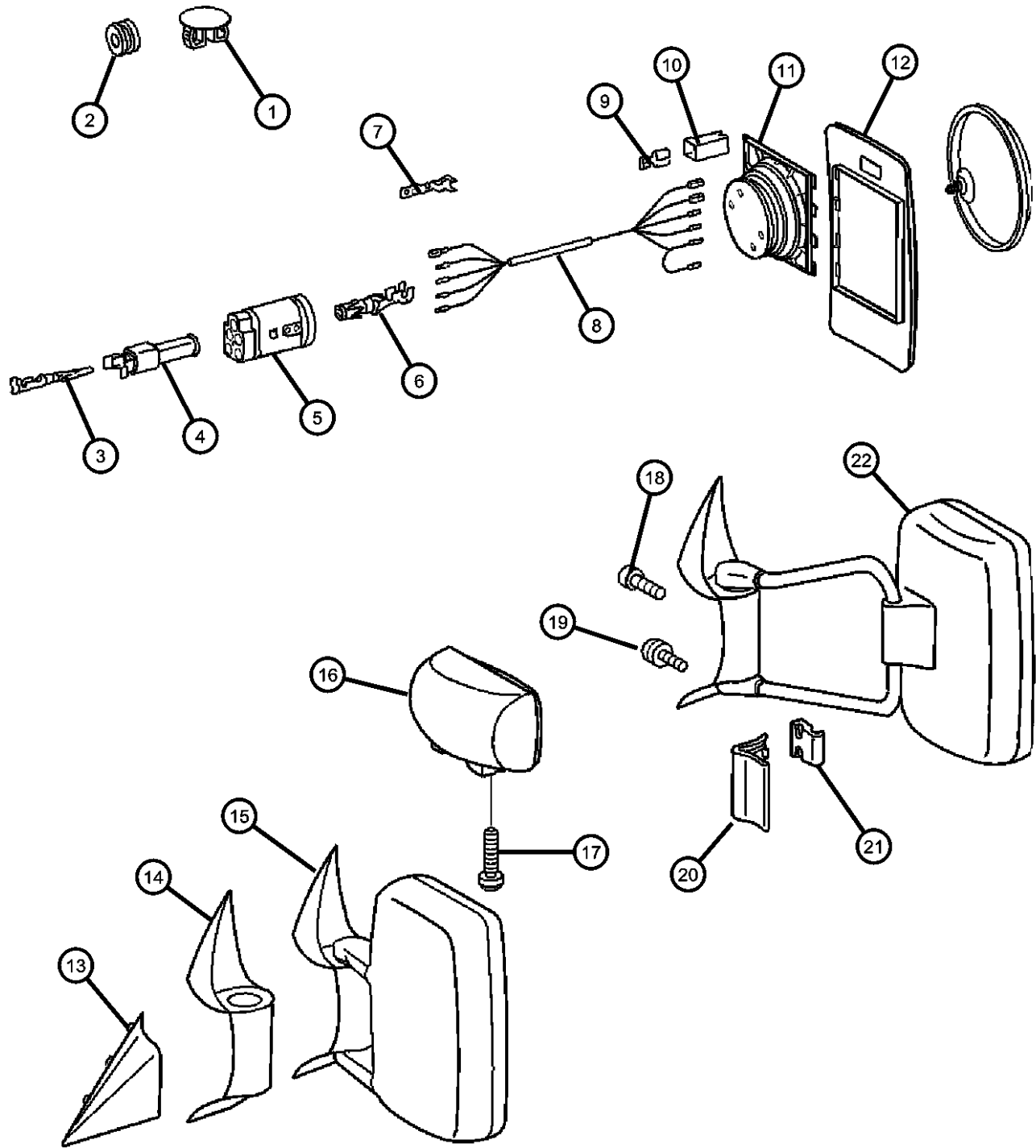
TRANSMISSION

DGJ = Transmission - 5-Spd Auto, MB

AR = use ase required - = Non illustrated part

2005 VA

Mirrors, Exterior
Figure DVA-520



ITEM	PART NUMBER	QTY	LINE	SERIES	BODY	ENGINE	TRANS	TRIM	DESCRIPTION
		1	2, 6	L	51, 52, 54, 55, 56				[LEG,GTB][4Z1,4XS][4E9], Right
		1	3, 7	L	02, 06				[LEG,GTB][4Z1,4XS], Right
		1	3, 7	L	12, 15, 16				[LEG,GTB][4Z1,4XS], Right
	05124261AA	1	2, 6	L	11, 12, 14, 15, 16				[LEG][4Z1,4XS][4E9], Right
		1	2, 6	L	51, 52, 54, 55, 56				[LEG][4Z1,4XS][4E9], Right
		1	2, 6	L	51, 52, 54, 55, 56				[LEG][4Z1,4XS][4E9], Left
		1	3, 7	L	02, 06				[LEG][4Z1,4XS], Left
		1	3, 7	L	12, 15, 16				[LEG][4Z1,4XS], Left
		1	2, 6	L	01, 02, 06				[LEG][4Z1,4XS][4E9], Right
		1	3, 7	L	02, 06				[LEG][4Z1,4XS], Right
		1	3, 7	L	12, 15, 16				[LEG][4Z1,4XS], Right

SPRINTER (VA)

SERIES	LINE	BODY	ENGINE	TRANSMISSION
L = LOWLINE	3 = HD DODGE 2WD 8 = HD DODGE 4WD 6 = Lt. Duty DODGE 4WD 2 = Med. Duty DODGE 2WD 7 = Med. Duty DODGE 4WD 4 = TRUCK	12 = Van 140" 51 = Wagon 118" 52 = Wagon 140" 14 = Van 118" 15 = Van 140" 16 = Van 158" 54 = Wagon 118" 55 = Wagon 140" 56 = Wagon 158"	EX8 = Engine - 2.7L I5 Mercedes-Benz TD	DGJ = Transmission - 5-Spd Auto, MB

AR = use ase required - = Non illustrated part

Group - EVA

Exterior Ornamentation

Group - EVA Exterior Ornamentation

Group-Fig. No.

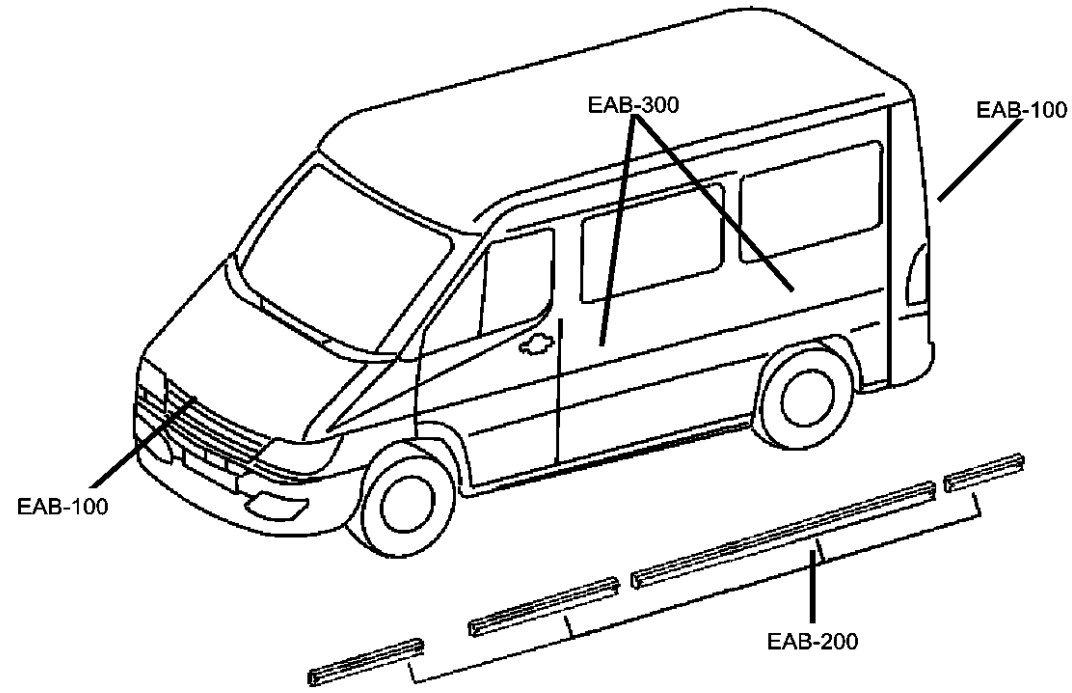
Illustration Title

Nameplates

Nameplates And DecalsFig. EVA - 120

Moldings and Ornamentation

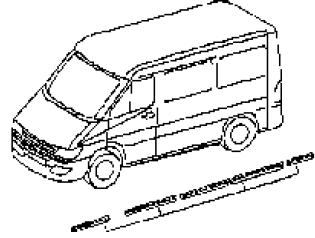
Exterior Moldings.....Fig. EVA - 210



EVA-100
Nameplates

3500 HC

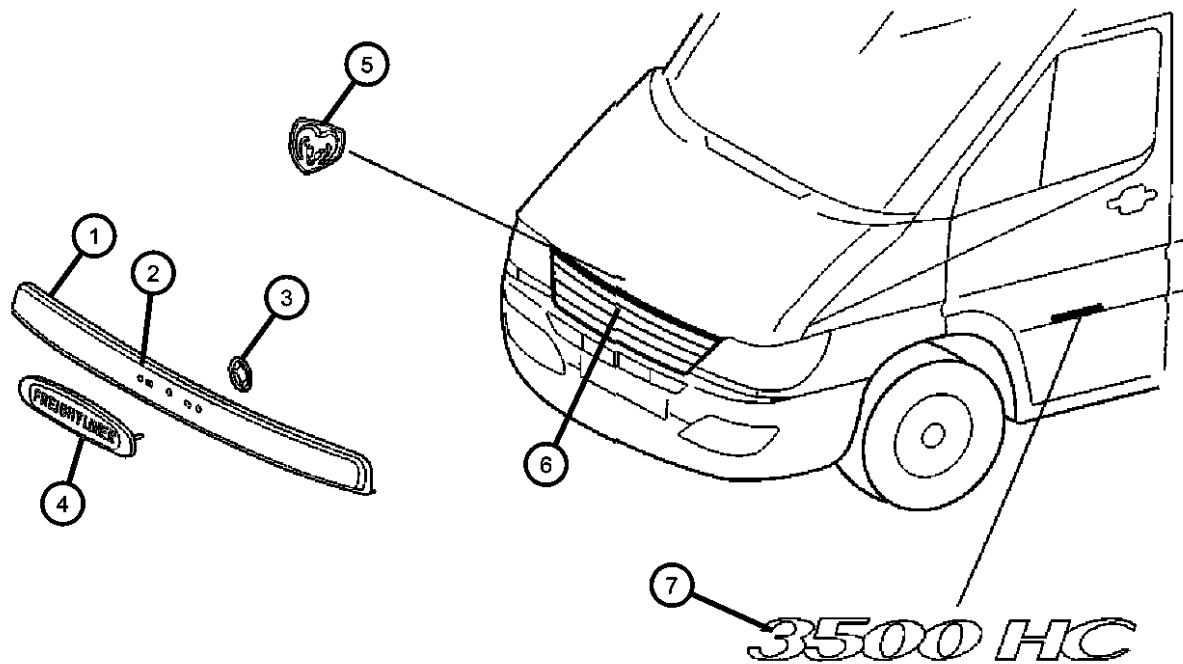
EVA-200
Moldings and Ornamentation



Nameplates And Decals
Figure EVA-120

ITEM	PART NUMBER	QTY	LINE	SERIES	BODY	ENGINE	TRANS	TRIM	DESCRIPTION
------	-------------	-----	------	--------	------	--------	-------	------	-------------

NOTE: For [Dodge Sprinter] Applications Dealer Must Remove The ['Ram'] Portion Of The Name Plate Prior To Installation On The Vehicle.
 [Sprinter] Is Identified As A [2500, 3500] Not [Ram 2500, Ram 3500].
 Line Code [2 & 3] Are For [Dodge Sprinter] Only
 Line Code [6 & 7] Are For [Freightliner Sprinter] Only
 Sales Codes:



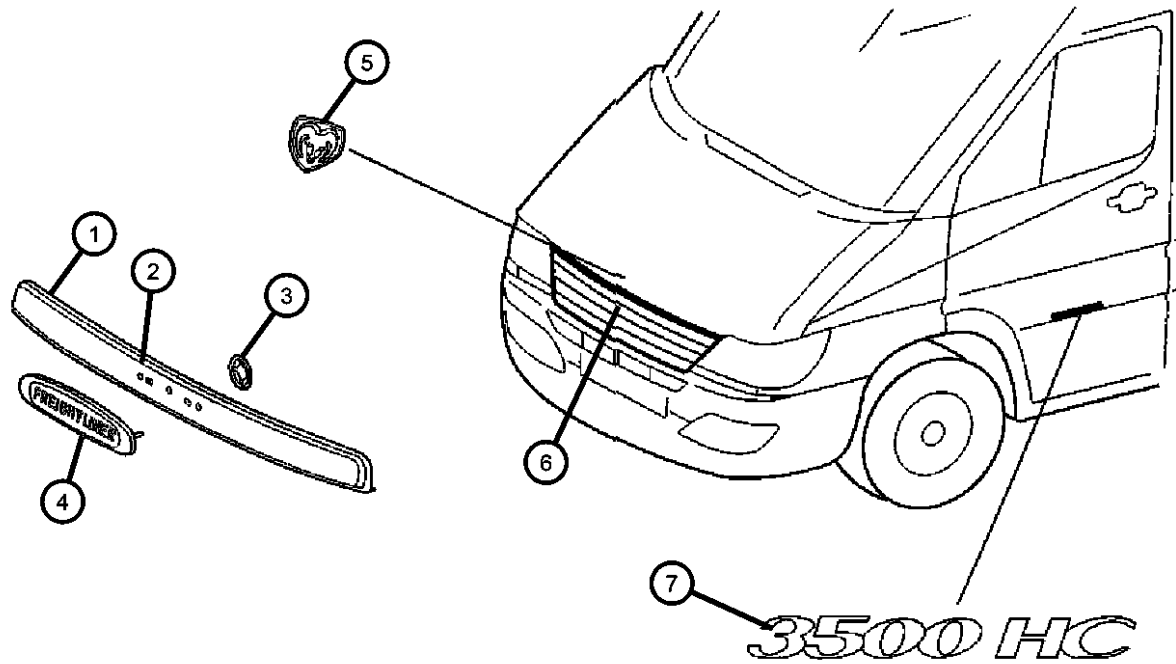
1									MOLDING, Hood, DODGE
	05114372AA	1	2	L	01, 02, 06				
		1	2	L	11, 12, 14, 15, 16				
		1	2	L	51, 52, 54, 55, 56				
		1	3	L	02, 06				
2									MOLDING, Hood, FREIGHTLINER
	05104400AA	1	6	L	01, 02, 06				
		1	6	L	11, 12, 14, 15, 16				
		1	6	L	51, 52, 54, 55, 56				
		1	7	L	02, 06				
		1	7	L	12, 15, 16				
3									RETAINER, Hood Ornament
	05096429AA	2	2, 6	L	11, 12, 14, 15, 16				
		2	2, 6	L	51, 52, 54, 55, 56				
		2	2, 6	L	01, 02, 06				
		2	3, 7	L	02, 06				
		2	3, 7	L	12, 15, 16				
4									NAMEPLATE, Hood
	05104449AA	1	6	L	01, 02, 06				
		1	6	L	11, 12, 14, 15, 16				
		1	6	L	51, 52, 54, 55, 56				

SPRINTER (VA)

SERIES	LINE	BODY	ENGINE	TRANSMISSION
L = LOWLINE	3 = HD DODGE 2WD 8 = HD DODGE 4WD 6 = Lt. Duty DODGE 4WD 2 = Med. Duty DODGE 2WD 7 = Med. Duty DODGE 4WD 4 = TRUCK	12 = Van 140" 51 = Wagon 118" 52 = Wagon 140" 14 = Van 118" 15 = Van 140" 16 = Van 158" 54 = Wagon 118" 55 = Wagon 140" 56 = Wagon 158" 01 = Chassis Forward Control 118" 02 = Chassis Forward Control 140" 06 = Front Section 158" 11 = Van 118"	EX8 = Engine - 2.7L I5 Mercedes-Benz TD	DGJ = Transmission - 5-Spd Auto, MB

AR = use ase required - = Non illustrated part

**Nameplates And Decals
Figure EVA-120**



ITEM	PART NUMBER	QTY	LINE	SERIES	BODY	ENGINE	TRANS	TRIM	DESCRIPTION
		1	7	L	02, 06				
		1	7	L	12, 15, 16				
5									MEDALLION, Ram Head
	52851538AA	1	2	L	01, 02, 06				
		1	2	L	11, 12, 14, 15, 16				
		1	2	L	51, 52, 54, 55, 56				
		1	3	L	02, 06				
		1	3	L	12, 15, 16				
6		1							GRILLE, Radiator, See Group 7, (NOT SERVICED)
7									NAMEPLATE
	05132136AA	2	6	L	14, 15, 16				[2500 SHC] With [MWJ + MGQ]
		2	6	L	54, 55, 56				[2500 SHC] With [MWJ]
	05124314AA	2	7	L	15, 16				[3500 SHC] With [MWJ + MGQ]
	05124315AA	2	7	L	12				[3500 HC] With [MGQ]
	05124316AA	2	7	L	02, 06				[3500 C] With [MGQ]
	05132137AA	2	6	L	11, 12				[2500 HC] With [MGQ]
-8									NAMEPLATE, Rear Door
	05104454AA	1	2, 6	L	01, 02, 06				Sprinter
		1	2, 6	L	11, 12, 14, 15, 16				Sprinter
		1	2, 6	L	51, 52, 54, 55, 56				Sprinter
		1	3, 7	L	02, 06				Sprinter
		1	3, 7	L	12, 15, 16				Sprinter
-9									NAMEPLATE, Dodge
	55077300AA	1	2	L	01, 02, 06				
		1	2	L	11, 12, 14, 15, 16				

SPRINTER (VA)

SERIES

L = LOWLINE

LINE

3 = HD DODGE 2WD
 8 = HD DODGE 4WD
 6 = Lt. Duty DODGE 4WD
 2 = Med. Duty DODGE 2WD
 7 = Med. Duty DODGE 4WD
 4 = TRUCK

BODY

12 = Van 140"
 51 = Wagon 118"
 52 = Wagon 140"
 14 = Van 118"
 15 = Van 140"
 16 = Van 158"
 54 = Wagon 118"
 55 = Wagon 140"
 56 = Wagon 158"
 01 = Chassis Forward Control
 118"
 02 = Chassis Forward Control
 140"
 06 = Front Section 158"
 11 = Van 118"

ENGINE

EX8 = Engine - 2.7L I5
 Mercedes-Benz TD

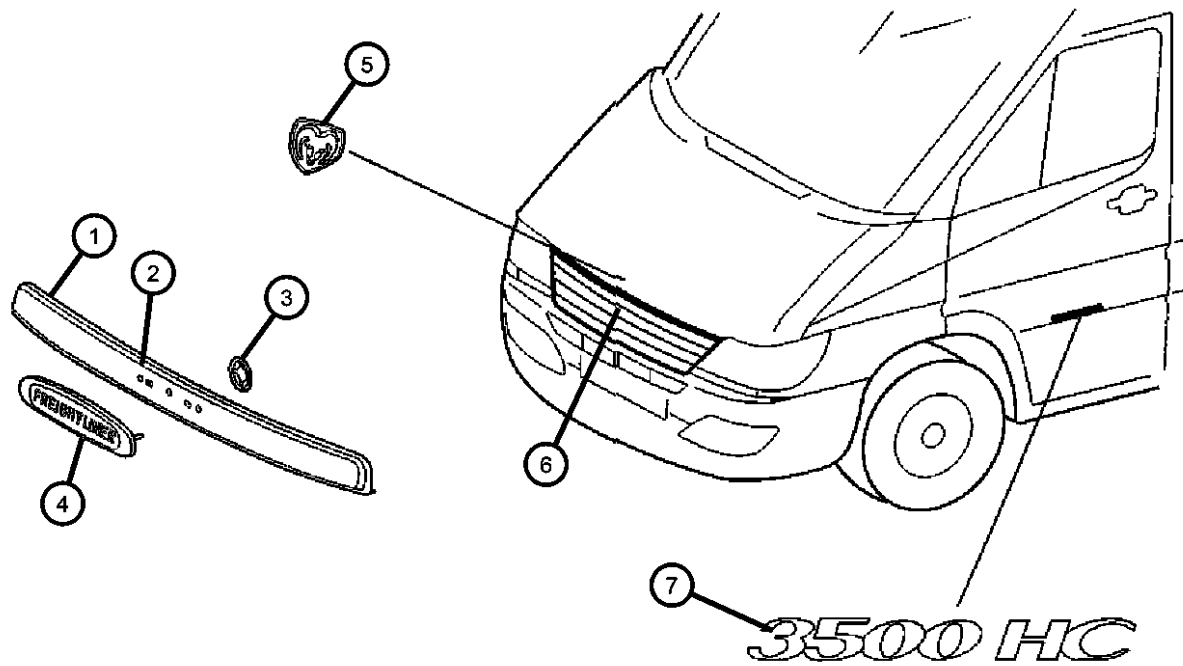
TRANSMISSION

DGJ = Transmission - 5-Spd Auto, MB

AR = use ase required - = Non illustrated part

**Nameplates And Decals
Figure EVA-120**

ITEM	PART NUMBER	QTY	LINE	SERIES	BODY	ENGINE	TRANS	TRIM	DESCRIPTION
		1	2	L	51, 52, 54, 55, 56				
		1	3	L	02, 06				
		1	3	L	12, 15, 16				



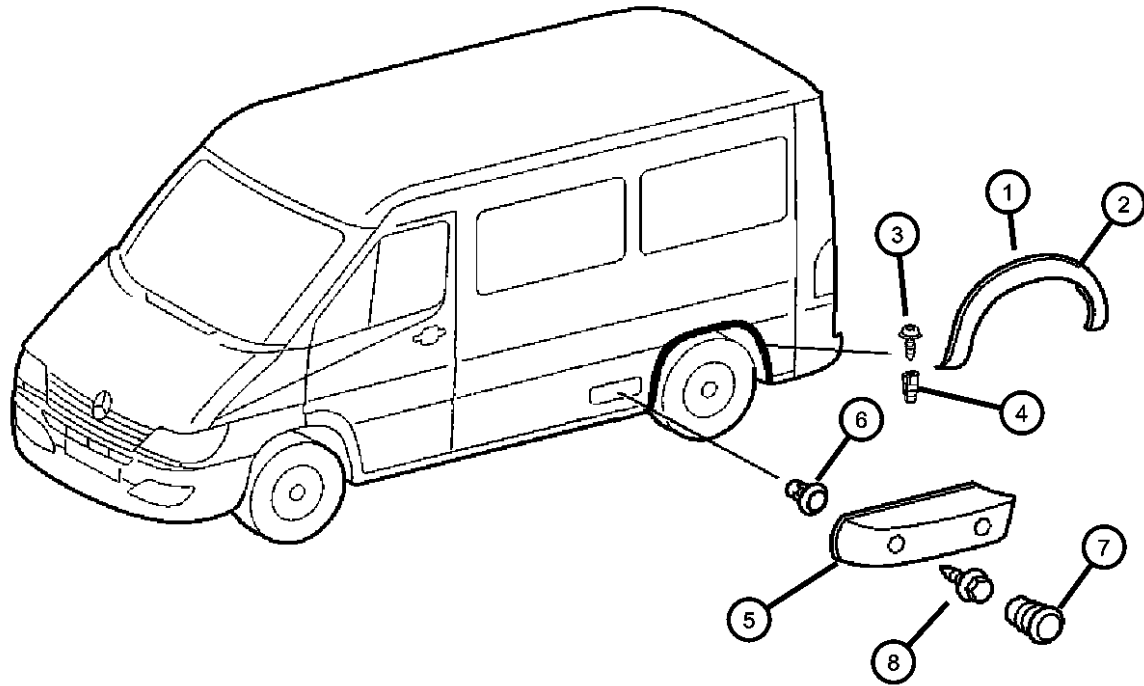
SPRINTER (VA)

SERIES	LINE	BODY	ENGINE	TRANSMISSION
L = LOWLINE	3 = HD DODGE 2WD 8 = HD DODGE 4WD 6 = Lt. Duty DODGE 4WD 2 = Med. Duty DODGE 2WD 7 = Med. Duty DODGE 4WD 4 = TRUCK	12 = Van 140" 51 = Wagon 118" 52 = Wagon 140" 14 = Van 118" 15 = Van 140" 16 = Van 158" 54 = Wagon 118" 55 = Wagon 140" 56 = Wagon 158" 01 = Chassis Forward Control 118" 02 = Chassis Forward Control 140" 06 = Front Section 158" 11 = Van 118"	EX8 = Engine - 2.7L I5 Mercedes-Benz TD	DGJ = Transmission - 5-Spd Auto, MB

AR = use ase required - = Non illustrated part

Exterior Moldings
Figure EVA-210

ITEM	PART NUMBER	QTY	LINE	SERIES	BODY	ENGINE	TRANS	TRIM	DESCRIPTION
NOTE: Line Code [2 & 3] Are For [Dodge Sprinter] Only Line Code [6 & 7] Are For [Freightliner] Only Sales Codes:									
1									MOLDING, Wheel Opening Flare
	05132499AA	2	2, 6	L	11, 12, 14, 15, 16				
		2	2, 6	L	51, 52, 54, 55, 56				
2	05125142AA	2	3, 7	L	12, 15, 16				MOLDING, Wheel Opening Flare
3									SCREW
	06104614AA	16	2, 6	L	11, 12, 14, 15, 16				
		16	2, 6	L	51, 52, 54, 55, 56				
		16	3, 7	L	12, 15, 16				
4									NUT, Plastic Snap-in
	05098837AA	16	2, 6	L	11, 12, 14, 15, 16				
		16	2, 6	L	51, 52, 54, 55, 56				
		16	3, 7	L	12, 15, 16				
5									MOLDING, Quarter Trim
	05123563AA	1	3, 7	L	12, 15, 16				Left
	05123564AA	1	3, 7	L	12, 15, 16				Right
6	05125550AA	4	3, 7	L	12, 15, 16				RETAINER
7	05126001AA	4	3, 7	L	12, 15, 16				PLUG, Cover
8	06104614AA	16	3, 7	L	12, 15, 16				SCREW
-9	05104639AA	16	3, 7	L	12, 15, 16				WASHER



SPRINTER (VA)

SERIES	LINE	BODY	ENGINE	TRANSMISSION
L = LOWLINE	3 = HD DODGE 2WD 8 = HD DODGE 4WD 6 = Lt. Duty DODGE 4WD 2 = Med. Duty DODGE 2WD 7 = Med. Duty DODGE 4WD 4 = TRUCK	12 = Van 140" 51 = Wagon 118" 52 = Wagon 140" 14 = Van 118" 15 = Van 140" 16 = Van 158" 54 = Wagon 118" 55 = Wagon 140" 56 = Wagon 158" 01 = Chassis Forward Control 118" 02 = Chassis Forward Control 140" 06 = Front Section 158" 11 = Van 118"	EX8 = Engine - 2.7L I5 Mercedes-Benz TD	DGJ = Transmission - 5-Spd Auto, MB

AR = use ase required - = Non illustrated part

2005 VA

Group - IVA

Interior Trim

Group - IVA Interior Trim

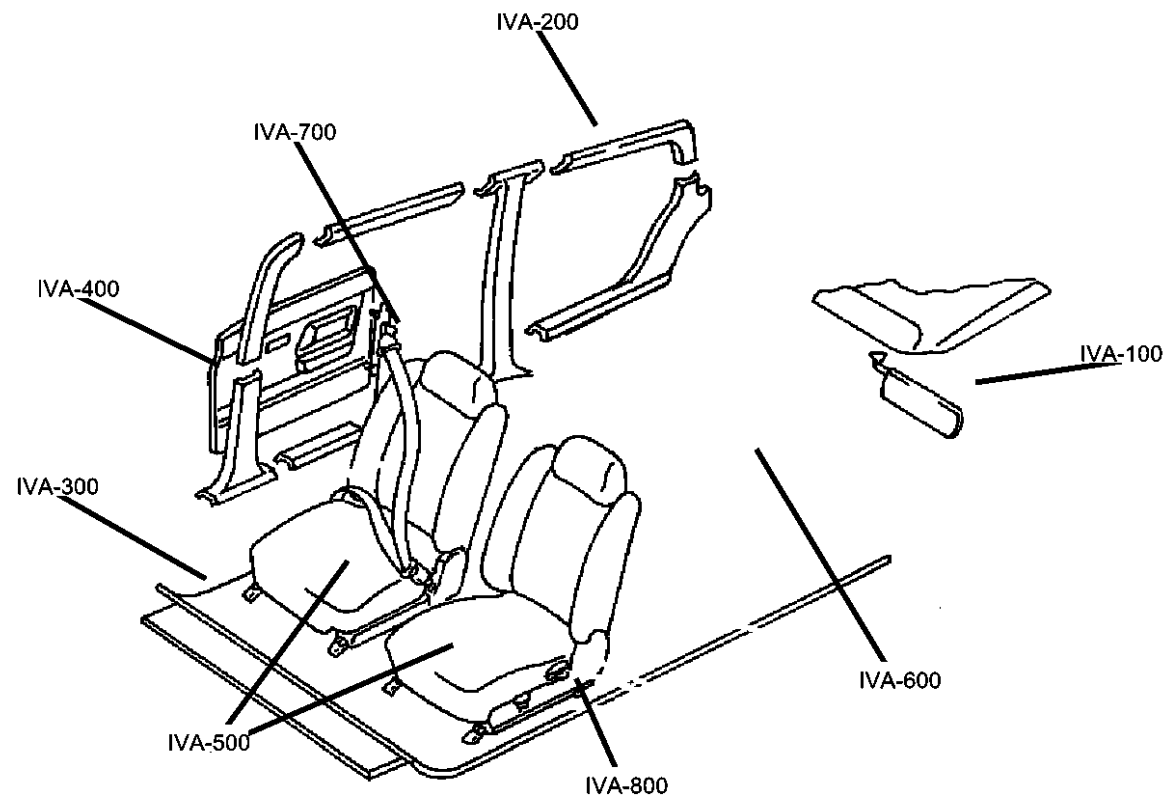


Illustration Title

Group-Fig. No.

Headliner and Visor

Headliner, Low Roof	Fig. IVA - 110
Headliner, High Roof	Fig. IVA - 115
Sunvisors, Grabhandles, Shelf and Attaching Parts	Fig. IVA - 120

Moldings, Scuff Plates

Inner Panels - Fabric	Fig. IVA - 210
Inner Panels - Cab	Fig. IVA - 215
Inner Panels - Plywood	Fig. IVA - 220
Inner Panel, Hard Fiber	Fig. IVA - 221
Inner Panels	Fig. IVA - 225
Inner Paneling Window - Pillar In Cab	Fig. IVA - 230
Cargo Retainers - Without Windows	Fig. IVA - 235
Cargo Retainers - With Windows	Fig. IVA - 240
Rear Pillar Inner Panel	Fig. IVA - 245
Cowl Panel - Silencer	Fig. IVA - 250
Partition Panel	Fig. IVA - 255
Partition Wall and Sliding Door	Fig. IVA - 260

Carpet

Carpet - Floor	Fig. IVA - 310
Floor Lining, Entry Paneling & Footrest	Fig. IVA - 315
Floor - Rubber	Fig. IVA - 320
Floor - Wooden	Fig. IVA - 330
Insulation - Carpet	Fig. IVA - 340
Insulation Floor	Fig. IVA - 350

Door Trim Panels-Front and Sliding

Front Door Trim	Fig. IVA - 410
Sliding Door Trim	Fig. IVA - 420
Rear Dual Door Trim	Fig. IVA - 430

Front Seats and Attaching Parts

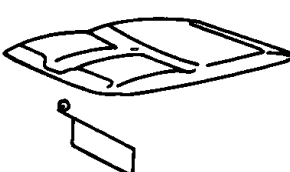
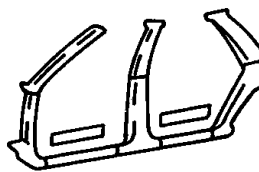
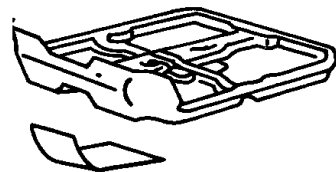
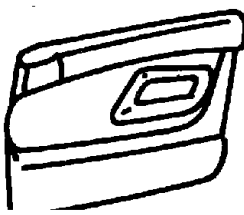

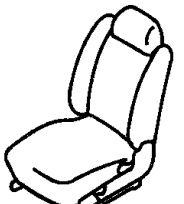
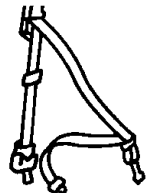
Front Seat - Venice	Fig. IVA - 510
Front Seat, Trim Code [B7], Santos	Fig. IVA - 515
Front Seat - Catano	Fig. IVA - 520
Front Seat - Attaching Parts	Fig. IVA - 525
Front Seat - Attaching Parts - Riser	Fig. IVA - 530
Front Seat - Attaching Parts	Fig. IVA - 535

Rear Seats

Rear Seat - 2 Passenger	Fig. IVA - 610
Rear Seat - 3 Passenger	Fig. IVA - 615
Attaching Parts - 3rd Passenger Seat	Fig. IVA - 620

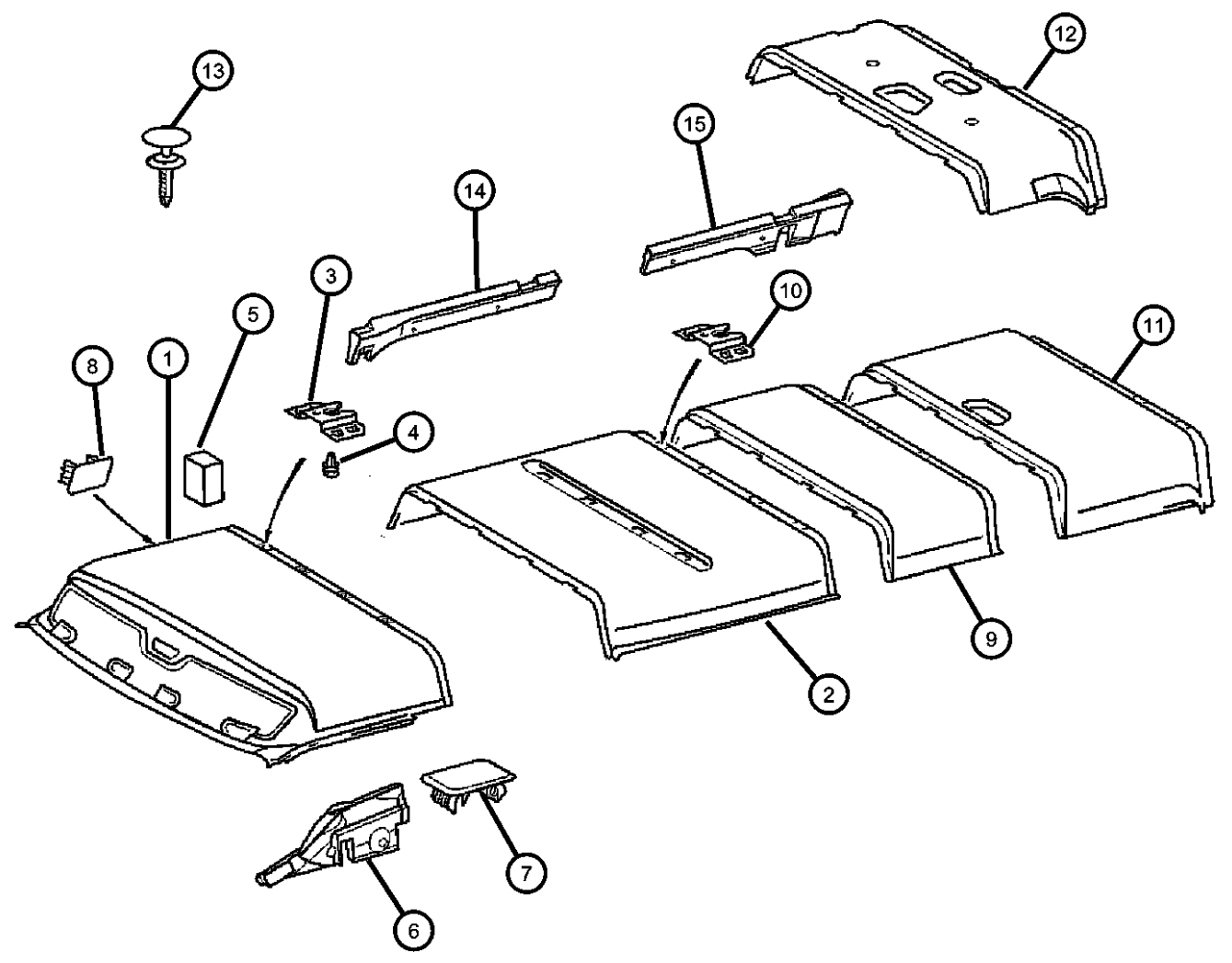
Seat Belts-Front and Rear

Seat Belt - Front	Fig. IVA - 710
Seat Belt - Second Row	Fig. IVA - 720

<p>IVA-100 Headliner and Visor</p> 	<p>IVA-200 Moldings, Scuff Plates</p> 	<p>IVA-300 Carpet</p> 	<p>IVA-400 Door Trim Panels-Front and Sliding</p> 
<p>IVA-500 Front Seats and Attaching Parts</p> 	<p>IVA-600 Rear Seats</p> 	<p>IVA-700 Seat Belts-Front and Rear</p> 	

**Headliner, Low Roof
Figure IVA-110**

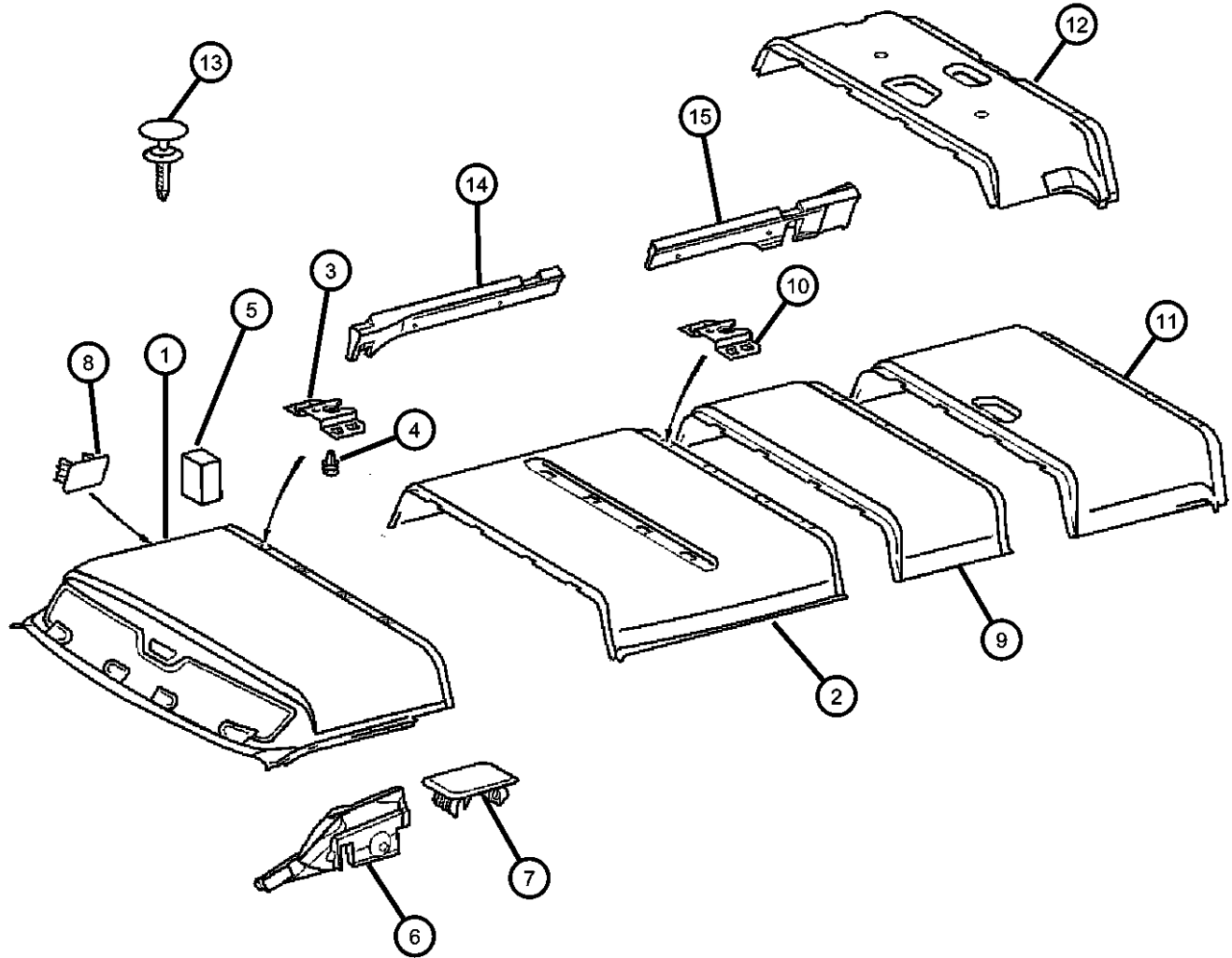
ITEM	PART NUMBER	QTY	LINE	SERIES	BODY	ENGINE	TRANS	TRIM	DESCRIPTION
1	05123465AA	1	2, 6	L	16				HEADLINER, Front Without Sunroof With Cargo Partition
		1	2, 6	L	56				Without Sunroof With Cargo Partition
		1	3, 7	L	16				Without Sunroof With Cargo Partition
	05123470AA	1	2, 6	L	56				With Sunroof and Cargo Partition
		1	3, 7	L	16				With Sunroof and Cargo Partition
		1	2, 6	L	16				With Sunroof and Cargo Partition
2	05123093AA	1	2, 6	L	11, 12				HEADLINER, Center With Right Sliding Door
		1	2, 6	L	51, 52				With Left Sliding Door
		1	3, 7	L	15				With Left Sliding Door
	05123097AA	1	2, 6	L	11, 12				With Right & Left Sliding Door
		1	2, 6	L	51, 52				With Right Sliding Door
		1	3, 7	L	15				With Right Sliding Door
		1	2, 6	L	11, 12				With Left Sliding Door
		1	2, 6	L	51, 52				With Right & Left Sliding Door
		1	3, 7	L	15				With Right & Left Sliding Door
3	05123436AA	4	2, 6	L	11, 12, 14, 15, 16				BRACKET, Headliner to Roof Rail
		4	2, 6	L	51, 52, 54, 55, 56				
		4	3, 7	L	12, 15, 16				
		4	3, 7	L	12, 15, 16				
4	05125569AA	4	2, 6	L	11, 12, 14, 15, 16				CLIP, Headlining
		4	2, 6	L	51, 52, 54, 55, 56				
		4	3, 7	L	12, 15, 16				



SPRINTER (VA)
 SERIES LINE BODY ENGINE TRANSMISSION
 L = LOWLINE 3 = HD DODGE 2WD 12 = Van 140" EX8 = Engine - 2.7L I5 DGJ = Transmission - 5-Spd Auto, MB
 8 = HD DODGE 4WD 51 = Wagon 118" Mercedes-Benz TD
 6 = Lt. Duty DODGE 4WD 52 = Wagon 140"
 2 = Med. Duty DODGE 2WD 14 = Van 118"
 7 = Med. Duty DODGE 4WD 15 = Van 140"
 4 = TRUCK 16 = Van 158"
 54 = Wagon 118"
 55 = Wagon 140"
 56 = Wagon 158"
 01 = Chassis Forward Control
 118"
 02 = Chassis Forward Control
 140"
 06 = Front Section 158"
 11 = Van 118"

AR = use ase required - = Non illustrated part

**Headliner, Low Roof
Figure IVA-110**



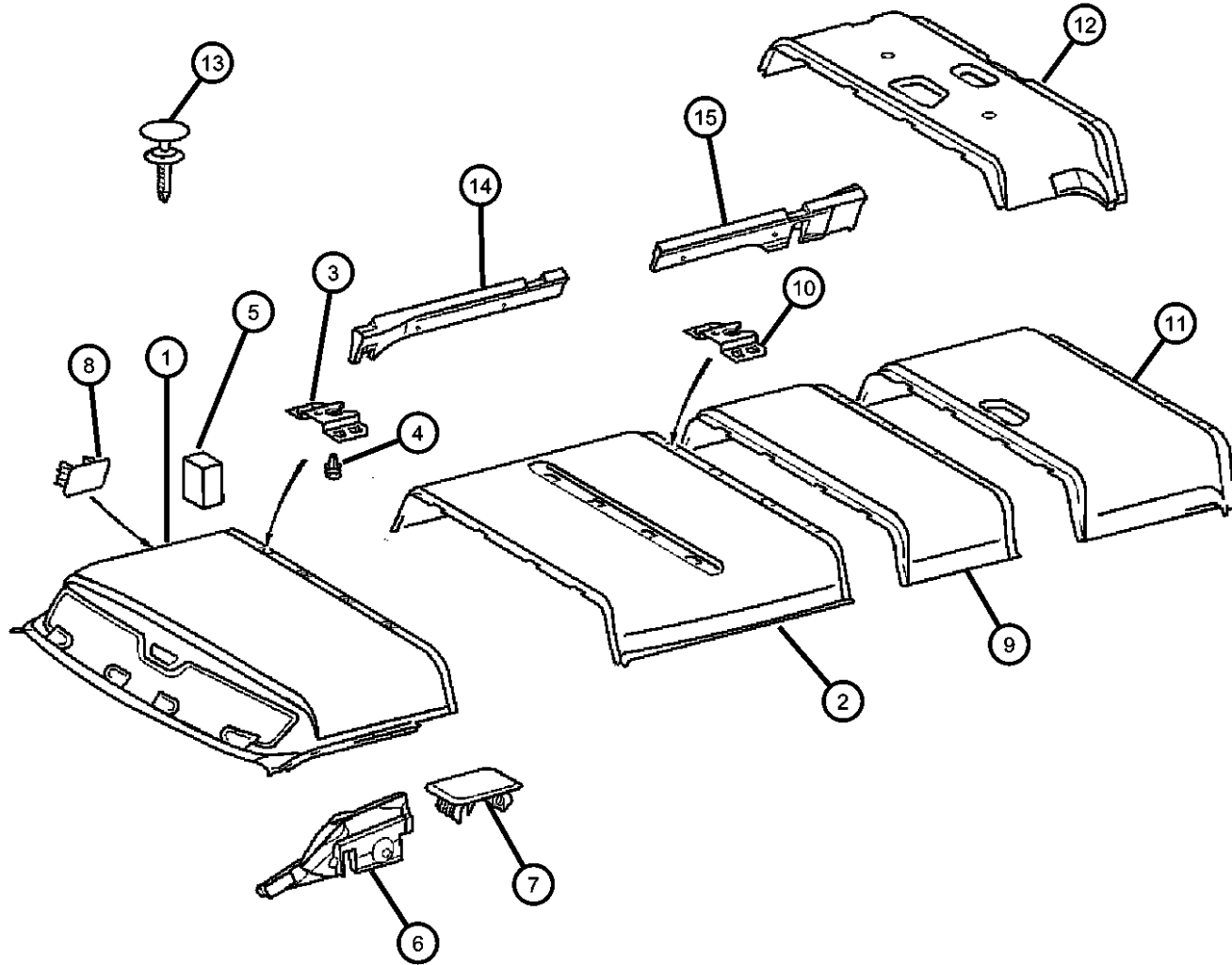
ITEM	PART NUMBER	QTY	LINE	SERIES	BODY	ENGINE	TRANS	TRIM	DESCRIPTION
5									PAD, Headlining
	05123547AA	2	2, 6	L	11, 12, 14, 15, 16				
		2	2, 6	L	51, 52, 54, 55, 56				
		2	3, 7	L	12, 15, 16				
6									FLOCK, Nylon
	05123496AA	1	2, 6	L	11, 12, 14, 15, 16				Left
		1	2, 6	L	51, 52, 54, 55, 56				Left
		1	3, 7	L	12, 15, 16				Left
	05123497AA	1	2, 6	L	51, 52, 54, 55, 56				Right
		1	3, 7	L	15				Right
		1	3, 7	L	16				Right
		1	2, 6	L	11, 12, 14, 15, 16				Right
7									CLIP, Headlining
	05125569AA	8	2, 6	L	11, 12, 14, 15, 16				
		8	2, 6	L	51, 52, 54, 55, 56				
		4	3, 7	L	12, 15, 16				
8									PLUG, Headliner
	1BH88CSTAA	2	2, 6	L	14, 15, 16				
		2	2, 6	L	54, 55, 56				
		2	2, 6	L	51, 52				
		2	3, 7	L	15, 16				
		2	2, 6	L	11, 12				
		2	3, 7	L	12				
9									HEADLINER, Center

SPRINTER (VA)

SERIES	LINE	BODY	ENGINE	TRANSMISSION
L = LOWLINE	3 = HD DODGE 2WD 8 = HD DODGE 4WD 6 = Lt. Duty DODGE 4WD 2 = Med. Duty DODGE 2WD 7 = Med. Duty DODGE 4WD 4 = TRUCK	12 = Van 140" 51 = Wagon 118" 52 = Wagon 140" 14 = Van 118" 15 = Van 140" 16 = Van 158" 54 = Wagon 118" 55 = Wagon 140" 56 = Wagon 158" 01 = Chassis Forward Control 118" 02 = Chassis Forward Control 140" 06 = Front Section 158" 11 = Van 118"	EX8 = Engine - 2.7L I5 Mercedes-Benz TD	DGJ = Transmission - 5-Spd Auto, MB

AR = use ase required - = Non illustrated part

**Headliner, Low Roof
Figure IVA-110**



ITEM	PART NUMBER	QTY	LINE	SERIES	BODY	ENGINE	TRANS	TRIM	DESCRIPTION
	05123107AA	1	2, 6	L	51, 52				With Interior Lamp
		1	3, 7	L	15				With Interior Lamp
	05123140AA	1	2, 6	L	12				With Sunroof
		1	2, 6	L	52				With Sunroof
		1	2, 6	L	11, 12				With Interior Lamp
		1	3, 7	L	15				With Sunroof
10	05123436AA	4	2, 6	L	51, 52, 54, 55, 56				BRACKET
		4	3, 7	L	12, 15, 16				
		4	2, 6	L	11, 12, 14, 15, 16				
11	05123108AA	1	3, 7	L	15				HEADLINER, Rear
		1	2, 6	L	11, 12				
		1	2, 6	L	51, 52				
12	05123155AA	1	2, 6	L	12				PANEL, Quarter
		1	2, 6	L	52				
		1	3, 7	L	15				
13	05104541AA	2	3, 7	L	12, 15				RIVET
		2	6, 2	L	11, 12, 14, 15, 16				Headliner to Rear Roof Rail
		2	2, 6	L	51, 52, 54, 55, 56				Headliner to Rear Roof Rail
	1BH98CSTAA	2	2, 6	L	11, 12, 14, 15, 16				Paneling to Roof Rear Rail
		2	2, 6	L	51, 52, 54, 55, 56				Paneling to Roof Rear Rail
		2	3, 7	L	12, 15				Paneling to Roof Rear Rail

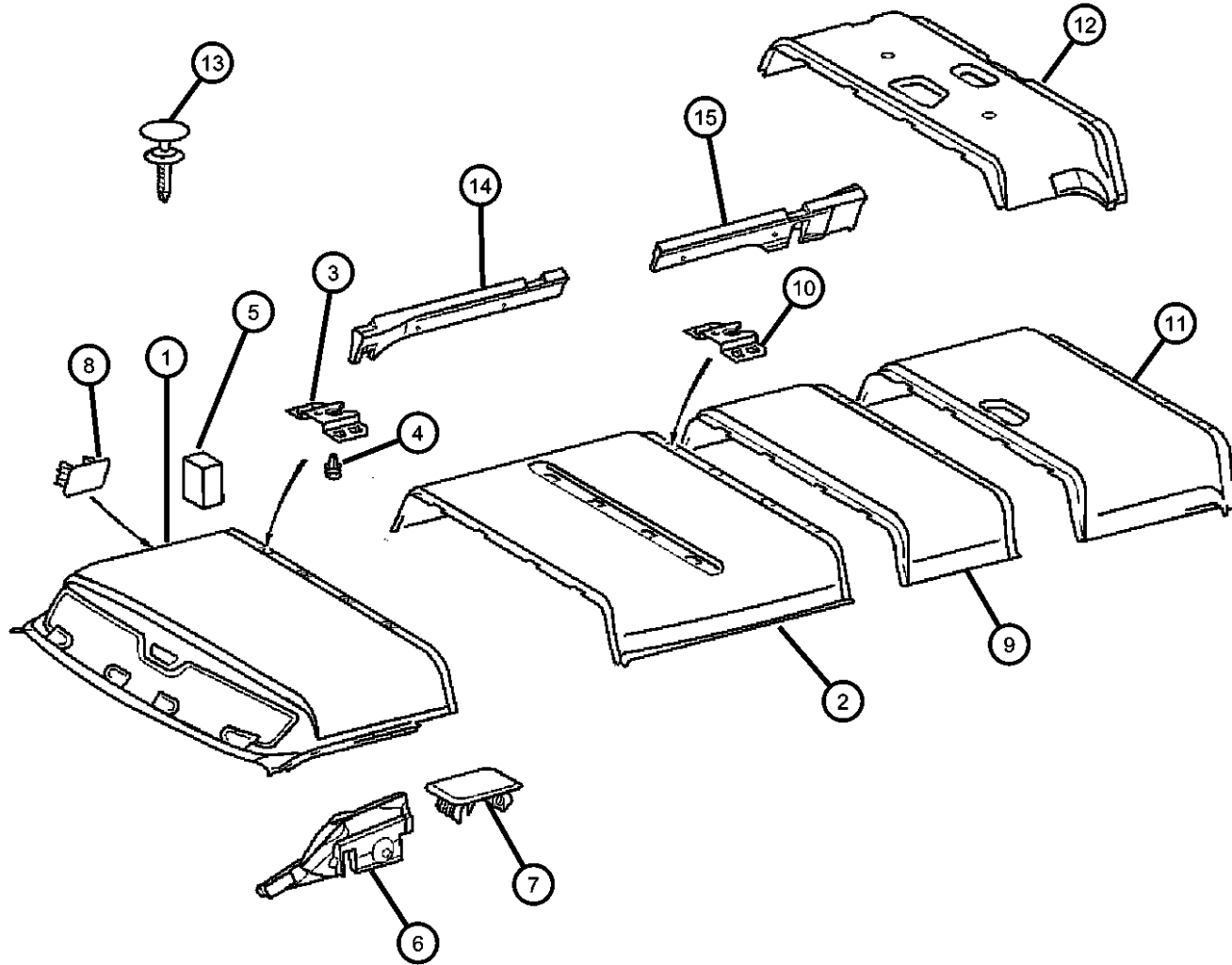
SPRINTER (VA)

SERIES	LINE	BODY	ENGINE	TRANSMISSION
L = LOWLINE	3 = HD DODGE 2WD 8 = HD DODGE 4WD 6 = Lt. Duty DODGE 4WD 2 = Med. Duty DODGE 2WD 7 = Med. Duty DODGE 4WD 4 = TRUCK	12 = Van 140" 51 = Wagon 118" 52 = Wagon 140" 14 = Van 118" 15 = Van 140" 16 = Van 158" 54 = Wagon 118" 55 = Wagon 140" 56 = Wagon 158" 01 = Chassis Forward Control 118" 02 = Chassis Forward Control 140" 06 = Front Section 158" 11 = Van 118"	EX8 = Engine - 2.7L I5 Mercedes-Benz TD	DGJ = Transmission - 5-Spd Auto, MB

AR = use ase required - = Non illustrated part

**Headliner, Low Roof
Figure IVA-110**

ITEM	PART NUMBER	QTY	LINE	SERIES	BODY	ENGINE	TRANS	TRIM	DESCRIPTION
14	05104297AA	1	2, 6	L	51, 52				FLOCK, Nylon
15	05104298AA	1	3, 7	L	12, 15, 16				FLOCK, Nylon
		1	2, 6	L	51, 52				
-16	05123510AA	1	2, 6	L	14, 15, 16				FLOCK, Nylon, Spacer
		1	3, 7	L	15, 16				
-17	05123512AA	1	2, 6	L	14, 15, 16				FLOCK, Nylon, Spacer
		1	3, 7	L	15, 16				
-18	05123514AA	1	2, 6	L	14, 15, 16				SPACER, Foam Headliner
		1	3, 7	L	15, 16				
-19	05123516AA	1	2, 6	L	14, 15, 16				SPACER, Foam Headliner
		1	3, 7	L	15, 16				

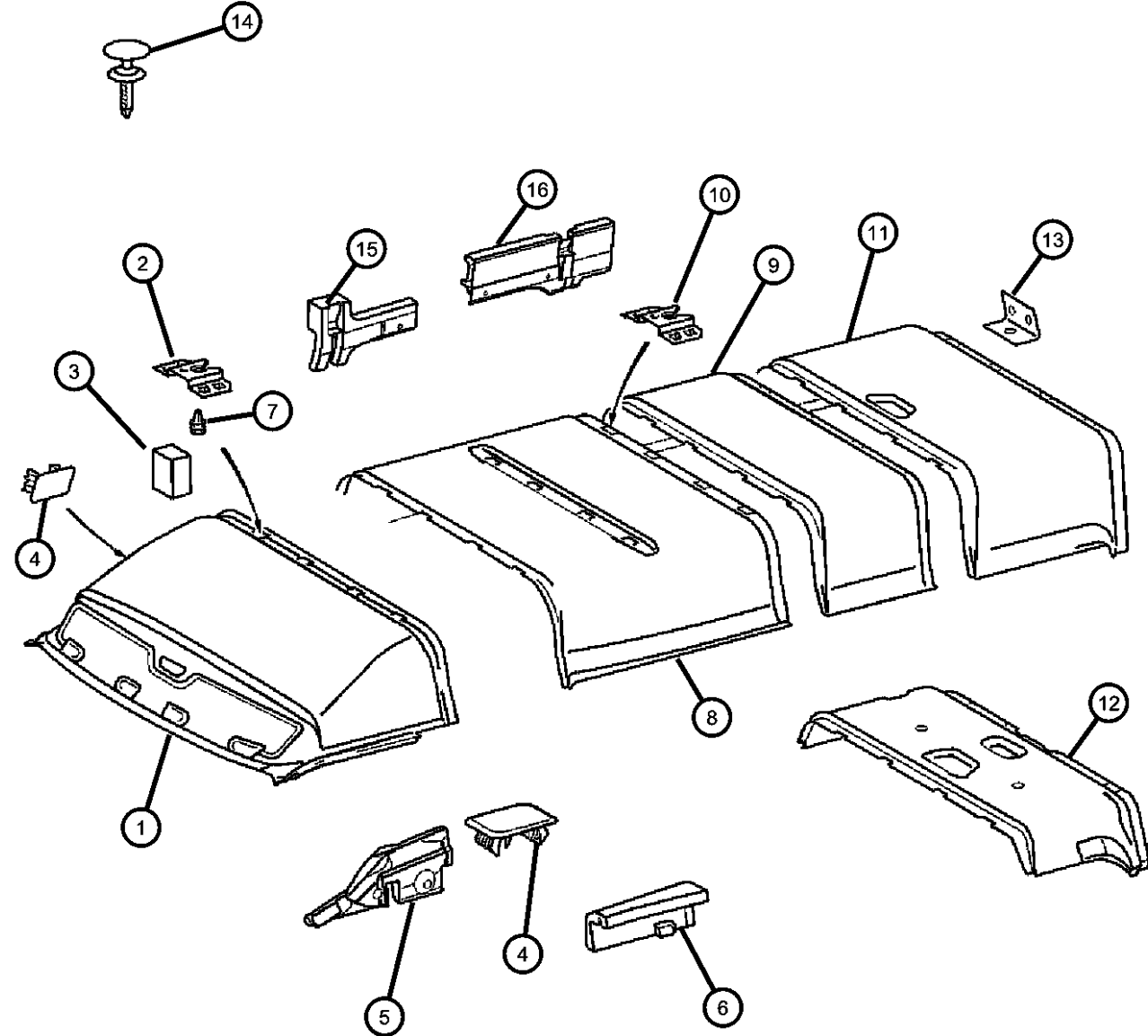


SPRINTER (VA)

SERIES	LINE	BODY	ENGINE	TRANSMISSION
L = LOWLINE	3 = HD DODGE 2WD 8 = HD DODGE 4WD 6 = Lt. Duty DODGE 4WD 2 = Med. Duty DODGE 2WD 7 = Med. Duty DODGE 4WD 4 = TRUCK	12 = Van 140" 51 = Wagon 118" 52 = Wagon 140" 14 = Van 118" 15 = Van 140" 16 = Van 158" 54 = Wagon 118" 55 = Wagon 140" 56 = Wagon 158" 01 = Chassis Forward Control 118" 02 = Chassis Forward Control 140" 06 = Front Section 158" 11 = Van 118"	EX8 = Engine - 2.7L I5 Mercedes-Benz TD	DGJ = Transmission - 5-Spd Auto, MB

AR = use ase required - = Non illustrated part

**Headliner, High Roof
Figure IVA-115**



ITEM	PART NUMBER	QTY	LINE	SERIES	BODY	ENGINE	TRANS	TRIM	DESCRIPTION
------	-------------	-----	------	--------	------	--------	-------	------	-------------

Sales Code:
[XJY] = Cargo Partition with Sliding Door

1	05104300AA	1	2, 6	L	16				HEADLINER, Front With Sliding Door [XJY]
		1	2, 6	L	56				With Sliding Door [XJY]
		1	3, 7	L	16				With Sliding Door [XJY]
	05123473AA	1	2, 6	L	16				Without Sliding Door [XJY]
		1	3, 7	L	16				Without Sliding Door [XJY]
2	05123436AA	4	2, 6	L	11, 12, 14, 15, 16				BRACKET
		4	2, 6	L	51, 52, 54, 55, 56				
		4	3, 7	L	12, 15, 16				
3	05123547AA	2	2, 6	L	11, 12, 14, 15, 16				PAD, Headlining
		2	2, 6	L	51, 52, 54, 55, 56				
		2	3, 7	L	12, 15, 16				
4	1BH88CSTAA	2	2, 6	L	11, 12				PLUG, Headliner
		2	2, 6	L	54, 55, 56				
		2	2, 6	L	51, 52				
		2	2, 6	L	14, 15, 16				
		2	3, 7	L	15, 16				
		2	3, 7	L	12				
5	05123496AA	1	2, 6	L	11, 12, 14, 15, 16				FLOCK, Nylon Left
		1	2, 6	L	51, 52, 54, 55, 56				Left

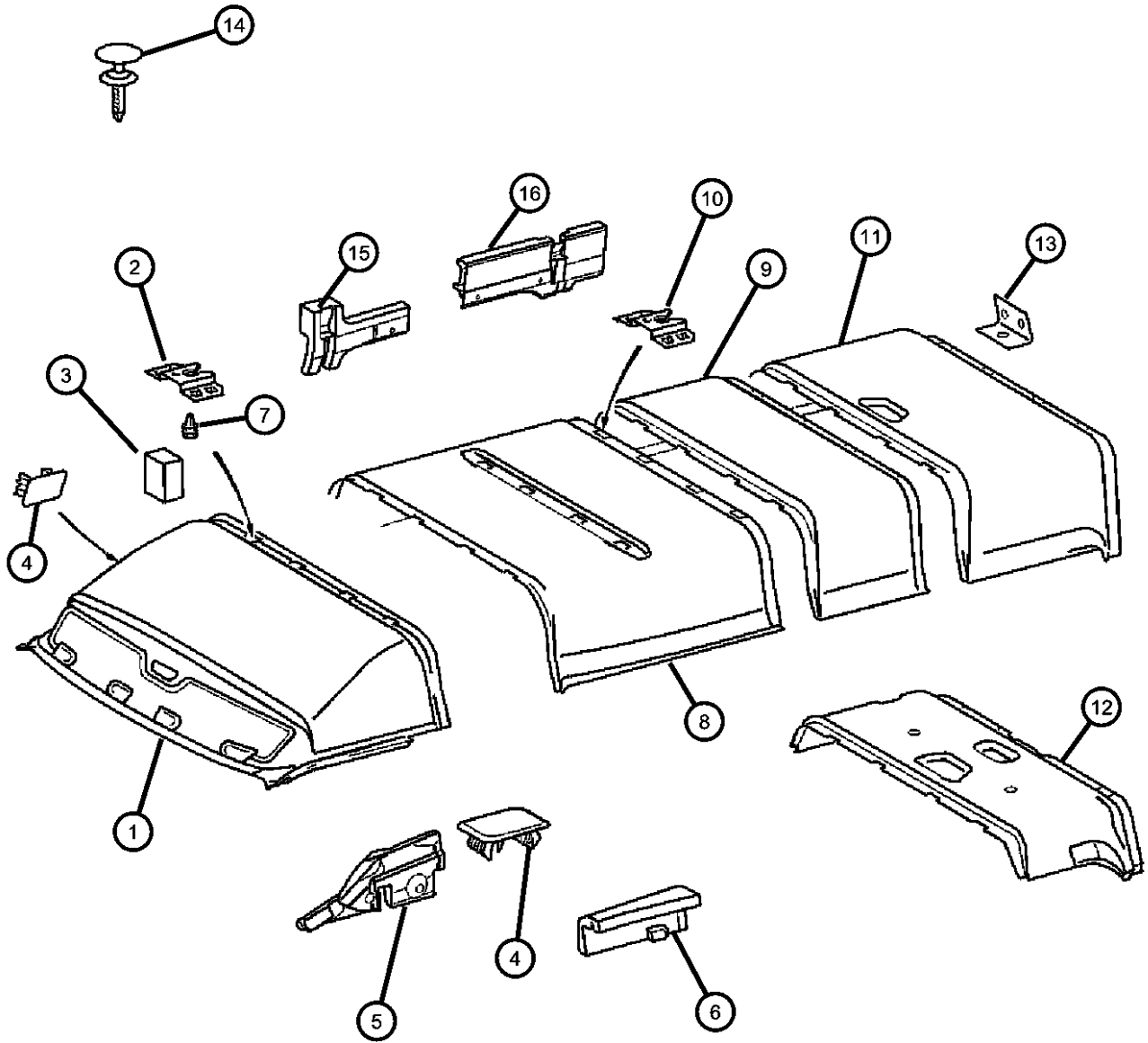
SPRINTER (VA)

SERIES	LINE	BODY	ENGINE	TRANSMISSION
L = LOWLINE	3 = HD DODGE 2WD 8 = HD DODGE 4WD 6 = Lt. Duty DODGE 4WD 2 = Med. Duty DODGE 2WD 7 = Med. Duty DODGE 4WD 4 = TRUCK	12 = Van 140" 51 = Wagon 118" 52 = Wagon 140" 14 = Van 118" 15 = Van 140" 16 = Van 158" 54 = Wagon 118" 55 = Wagon 140" 56 = Wagon 158" 01 = Chassis Forward Control 118" 02 = Chassis Forward Control 140" 06 = Front Section 158" 11 = Van 118"	EX8 = Engine - 2.7L I5 Mercedes-Benz TD	DGJ = Transmission - 5-Spd Auto, MB

AR = use ase required - = Non illustrated part

2005 VA

**Headliner, High Roof
Figure IVA-115**



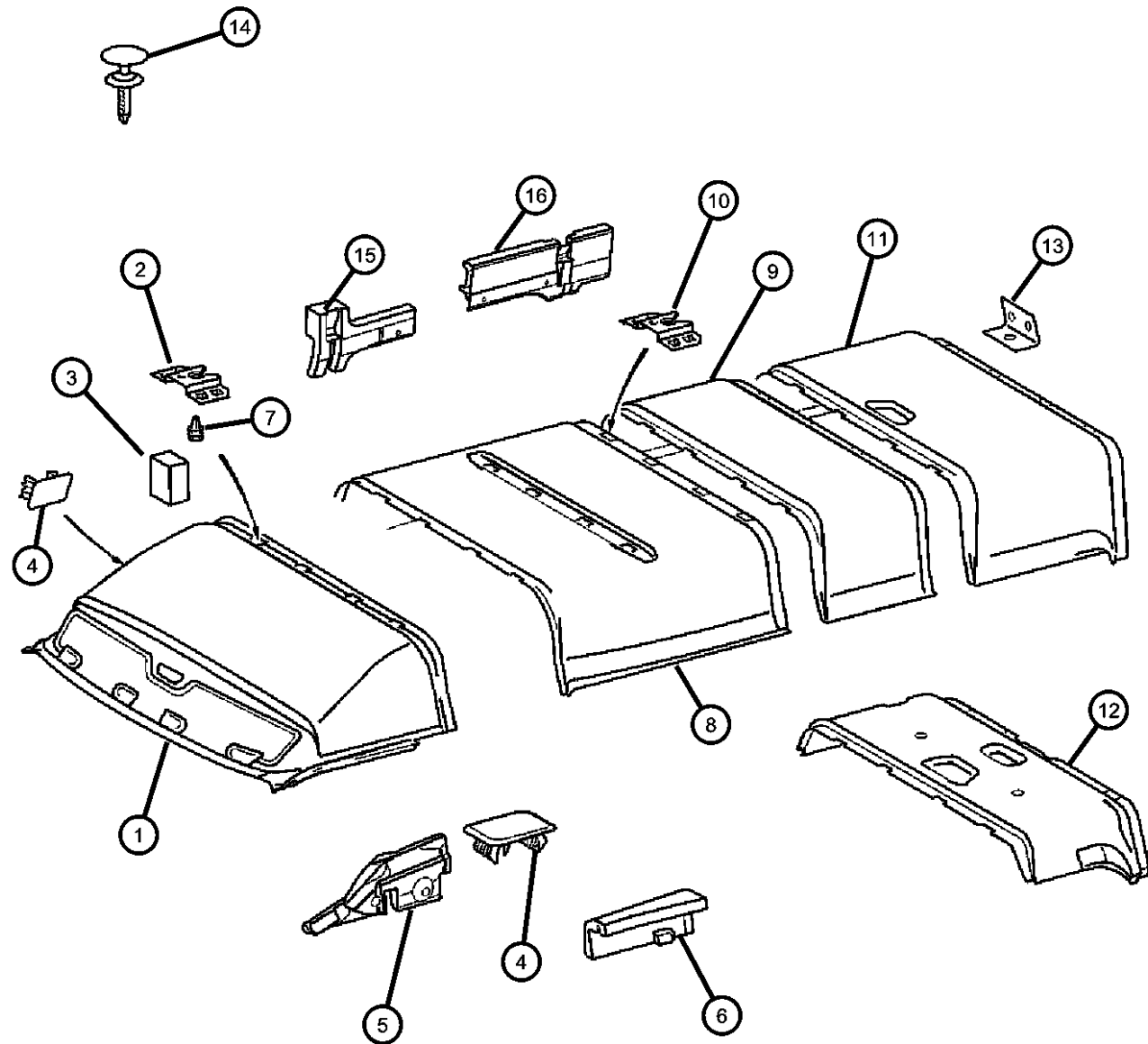
ITEM	PART NUMBER	QTY	LINE	SERIES	BODY	ENGINE	TRANS	TRIM	DESCRIPTION
		1	3, 7	L	12, 15, 16				Left
	05123497AA	1	2, 6	L	11, 12, 14, 15, 16				Right
		1	2, 6	L	51, 52, 54, 55, 56				Right
		1	3, 7	L	15				Right
		1	7, 3	L	16				Right
6									FLOCK, Nylon
	05123498AA	1	2, 6	L	14, 15, 16				Left
		1	2, 6	L	54, 55, 56				Left
		1	3, 7	L	15, 16				Left
	05123499AA	1	2, 6	L	14, 15, 16				Right
		1	2, 6	L	54, 55, 56				Right
		1	3, 7	L	15, 16				Right
7									CLIP, Headlining
	05125569AA	4	2, 6	L	11, 12, 14, 15, 16				Paneling to Roof Rail
		8	2, 6	L	11, 12, 14, 15, 16				Headliner to Roof Bow
		4	2, 6	L	11				Headliner to Rear Roof Rail
		8	2, 6	L	12				Headliner to Rear Roof Rail
		12	2, 6	L	16				Headliner to Rear Roof Rail
		4	2, 6	L	51, 52, 54, 55, 56				Paneling to Roof Rail
		8	2, 6	L	51, 52, 54, 55, 56				Headliner to Roof Bow
		4	2, 6	L	51				Headliner to Rear Roof Rail
		8	2, 6	L	52				Headliner to Rear Roof Rail
		8	3, 7	L	12, 15				Headliner to Rear Roof Rail
		12	3, 7	L	16				Headliner to Rear Roof Rail
		12	2, 6	L	56				Headliner to Rear Roof Rail

SPRINTER (VA)

SERIES	LINE	BODY	ENGINE	TRANSMISSION
L = LOWLINE	3 = HD DODGE 2WD 8 = HD DODGE 4WD 6 = Lt. Duty DODGE 4WD 2 = Med. Duty DODGE 2WD 7 = Med. Duty DODGE 4WD 4 = TRUCK	12 = Van 140" 51 = Wagon 118" 52 = Wagon 140" 14 = Van 118" 15 = Van 140" 16 = Van 158" 54 = Wagon 118" 55 = Wagon 140" 56 = Wagon 158" 01 = Chassis Forward Control 118" 02 = Chassis Forward Control 140" 06 = Front Section 158" 11 = Van 118"	EX8 = Engine - 2.7L I5 Mercedes-Benz TD	DGJ = Transmission - 5-Spd Auto, MB

AR = use ase required - = Non illustrated part

Headliner, High Roof
Figure IVA-115

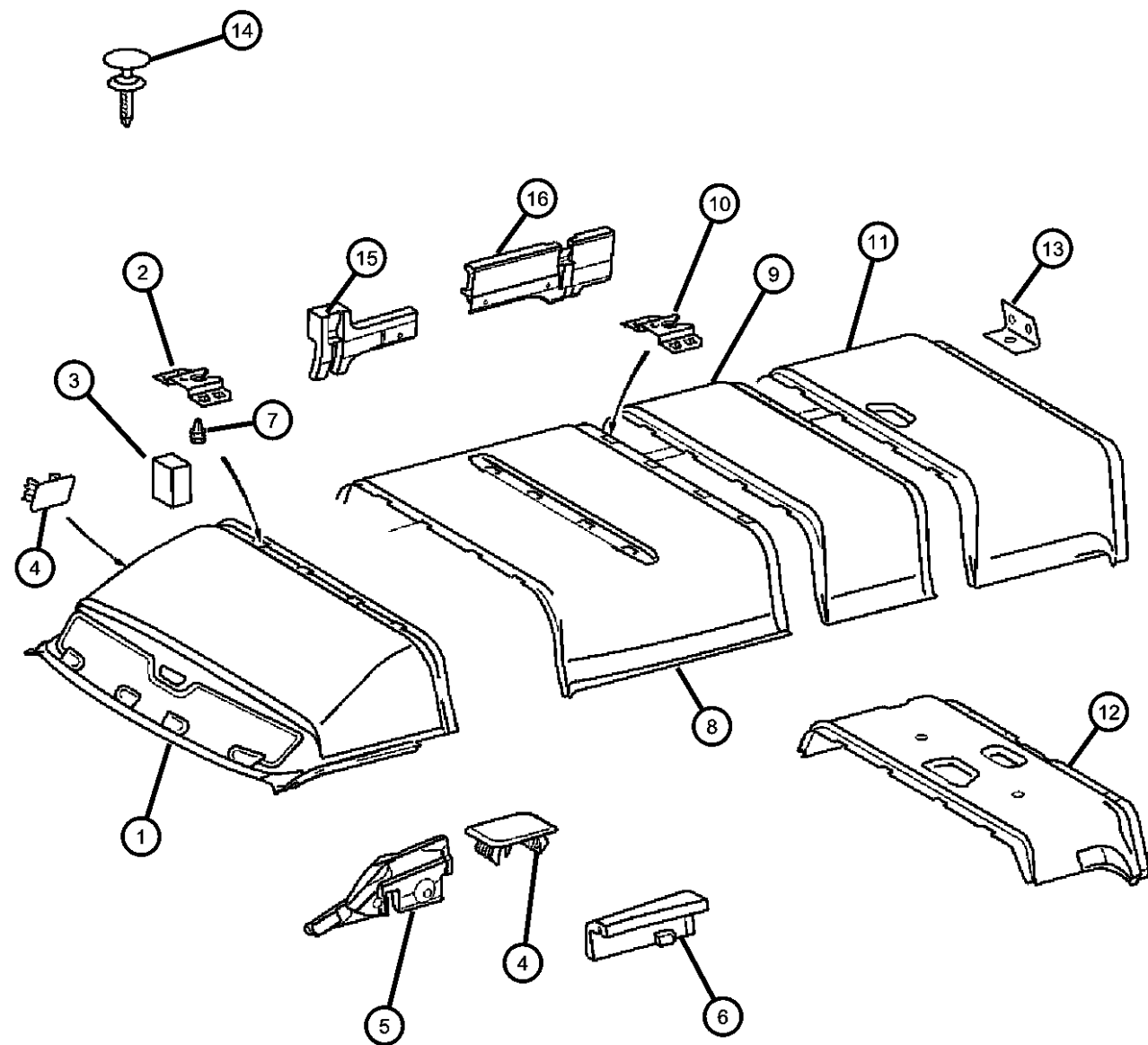


ITEM	PART NUMBER	QTY	LINE	SERIES	BODY	ENGINE	TRANS	TRIM	DESCRIPTION
		4	3, 7	L	12, 15, 16				Paneling to Roof Rail
		8	3, 7	L	12, 15				Headliner to Roof Bow
8									HEADLINER, Center
	05104278AA	1	2, 6	L	11, 12, 16				With Right Sliding Door
	05123112AA	1	2, 6	L	11, 12, 16				With Left Sliding Door
		1	2, 6	L	51, 52, 56				With Left Sliding Door
		1	3, 7	L	15, 16				With Left Sliding Door
		1	2, 6	L	51, 52, 56				With Right Sliding Door
	05123114AA	1	3, 7	L	15, 16				With Right Sliding Door
		1	2, 6	L	11, 12, 16				With Right & Left Sliding Door
		1	2, 6	L	51, 52, 56				With Right & Left Sliding Door
		1	3, 7	L	15, 16				With Right & Left Sliding Door
9									HEADLINER, Center
	05104279AA	1	2, 6	L	12, 16				With Sunroof
		1	2, 6	L	52, 56				With Sunroof
		1	3, 7	L	15				With Sunroof
	05123141AA	2	3, 7	L	16				With Sunroof
		1	2, 6	L	12, 16				With Interior Lamp
		1	2, 6	L	52, 56				With Interior Lamp
		1	3, 7	L	15, 16				With Interior Lamp
10									BRACKET
	05123436AA	4	2, 6	L	11, 12, 14, 15, 16				Paneling to Roof Rail
		4	2, 6	L	51, 52, 54, 55, 56				Paneling to Roof Rail
		4	3, 7	L	12, 15, 16				Paneling to Roof Rail
11									HEADLINER, Rear
	05123144AA	1	2, 6	L	16				
		1	2, 6	L	56				

SPRINTER (VA)
SERIES **LINE** **BODY** **ENGINE** **TRANSMISSION**
L = LOWLINE 3 = HD DODGE 2WD 12 = Van 140" EX8 = Engine - 2.7L I5 DGJ = Transmission - 5-Spd Auto, MB
 8 = HD DODGE 4WD 51 = Wagon 118" Mercedes-Benz TD
 6 = Lt. Duty DODGE 4WD 52 = Wagon 140"
 2 = Med. Duty DODGE 2WD 14 = Van 118"
 7 = Med. Duty DODGE 4WD 15 = Van 140"
 4 = TRUCK 16 = Van 158"
 54 = Wagon 118"
 55 = Wagon 140"
 56 = Wagon 158"
 01 = Chassis Forward Control
 118"
 02 = Chassis Forward Control
 140"
 06 = Front Section 158"
 11 = Van 118"

AR = use ase required - = Non illustrated part

**Headliner, High Roof
Figure IVA-115**



ITEM	PART NUMBER	QTY	LINE	SERIES	BODY	ENGINE	TRANS	TRIM	DESCRIPTION
12		1	3, 7	L	16				HEADLINER, Rear
	05104277AA	1	2, 6	L	12				
		1	2, 6	L	52				
		1	3, 7	L	15				
13									BRACKET
	05123437AA	1	2, 6	L	11, 12, 14, 15, 16				
		1	2, 6	L	51, 52, 54, 55, 56				
		1	3, 7	L	12, 15, 16				
14									RIVET
	1BH98CSTAA	2	2, 6	L	11, 12, 14, 15, 16				
		2	2, 6	L	51, 52, 54, 55, 56				
		2	3, 7	L	12, 15				
15	05131910AA	1	2, 6	L	54, 55, 56				FLOCK, Nylon
16									SPACER
	05104299AA	1	2, 6	L	54, 55, 56				
		1	3, 7	L	12, 15, 16				
-17									SPACER, Foam Headliner
	05123502AA	1	2, 6	L	14, 15, 16				
		1	3, 7	L	15, 16				
-18									SPACER, Foam Headliner
	05123504AA	1	3, 7	L	15, 16				
		1	2, 6	L	14, 15, 16				
-19									SPACER, Foam Headliner
	05123506AA	1	2, 6	L	14, 15, 16				
		1	3, 7	L	15, 16				

SPRINTER (VA)

SERIES	LINE	BODY	ENGINE	TRANSMISSION
L = LOWLINE	3 = HD DODGE 2WD 8 = HD DODGE 4WD 6 = Lt. Duty DODGE 4WD 2 = Med. Duty DODGE 2WD 7 = Med. Duty DODGE 4WD 4 = TRUCK	12 = Van 140" 51 = Wagon 118" 52 = Wagon 140" 14 = Van 118" 15 = Van 140" 16 = Van 158" 54 = Wagon 118" 55 = Wagon 140" 56 = Wagon 158" 01 = Chassis Forward Control 118" 02 = Chassis Forward Control 140" 06 = Front Section 158" 11 = Van 118"	EX8 = Engine - 2.7L I5 Mercedes-Benz TD	DGJ = Transmission - 5-Spd Auto, MB

AR = use ase required - = Non illustrated part

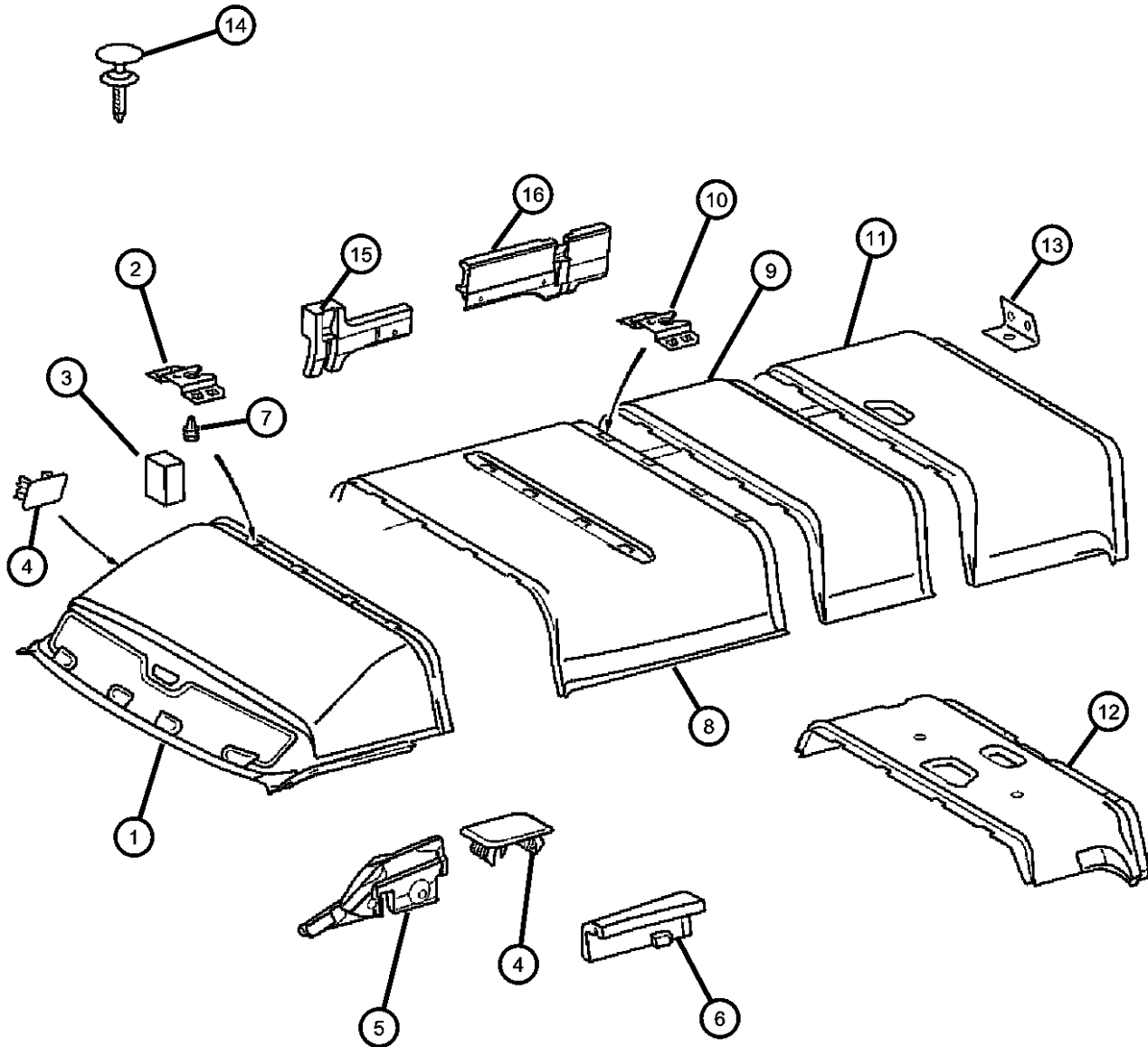
Headliner, High Roof
Figure IVA-115

ITEM	PART NUMBER	QTY	LINE	SERIES	BODY	ENGINE	TRANS	TRIM	DESCRIPTION
------	-------------	-----	------	--------	------	--------	-------	------	-------------

-20

SPACER, Foam Headliner

	05123508AA	1	2, 6	L	14, 15, 16				
		1	3, 7	L	15, 16				



SPRINTER (VA)

SERIES

L = LOWLINE

LINE

3 = HD DODGE 2WD
8 = HD DODGE 4WD
6 = Lt. Duty DODGE 4WD
2 = Med. Duty DODGE 2WD
7 = Med. Duty DODGE 4WD
4 = TRUCK

BODY

12 = Van 140"
51 = Wagon 118"
52 = Wagon 140"
14 = Van 118"
15 = Van 140"
16 = Van 158"
54 = Wagon 118"
55 = Wagon 140"
56 = Wagon 158"
01 = Chassis Forward Control
118"
02 = Chassis Forward Control
140"
06 = Front Section 158"
11 = Van 118"

ENGINE

EX8 = Engine - 2.7L I5
Mercedes-Benz TD

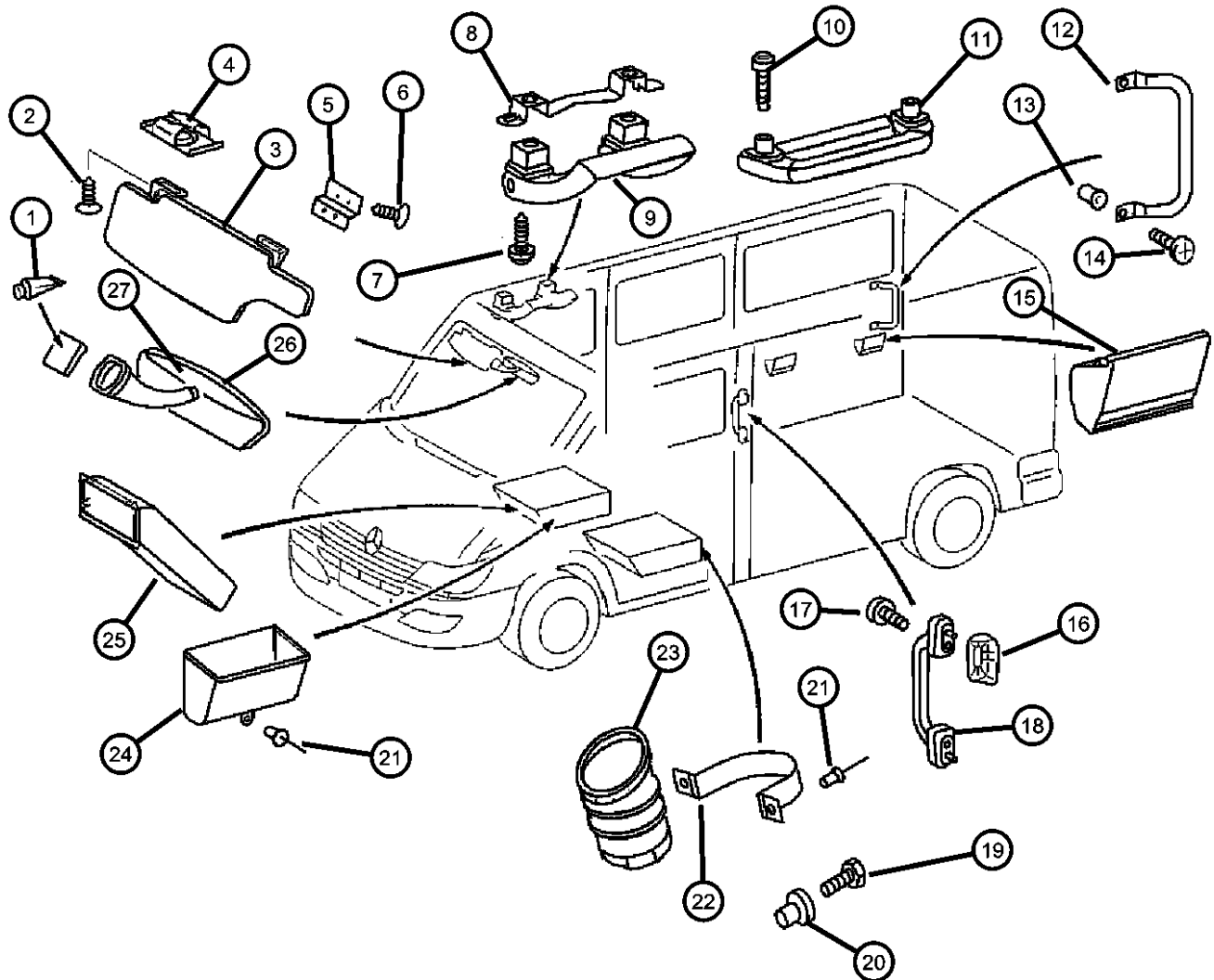
TRANSMISSION

DGJ = Transmission - 5-Spd Auto, MB

AR = use ase required - = Non illustrated part

2005 VA

Sunvisors, Grabhandles, Shelf and Attaching Parts
Figure IVA-120

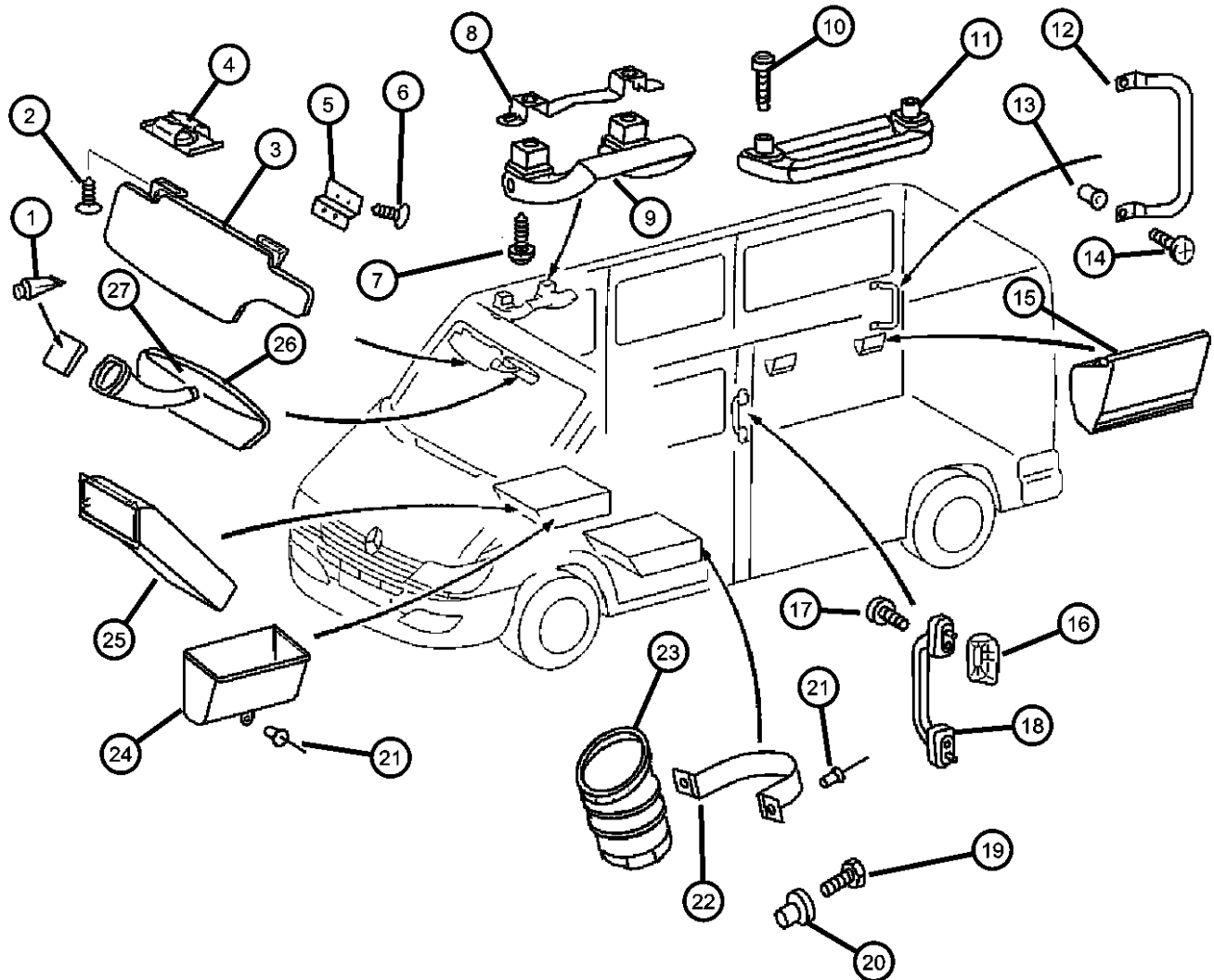


ITEM	PART NUMBER	QTY	LINE	SERIES	BODY	ENGINE	TRANS	TRIM	DESCRIPTION
1		1							ADHESIVE, (NOT SERVICED)
2	06104005AA	2	2, 3, 6, 7	L					SCREW
3									VISOR
	05104438AA	1	2, 6	L	01, 02, 06				Left
		1	2, 6	L	11, 12, 14, 15, 16				Left
		1	2, 6	L	51, 52, 54, 55, 56				Left
		1	3, 7	L	02, 06				Left
		1	3, 7	L	12, 15, 16				Left
	05104439AA	1	2, 6	L	01, 02, 06				Right
		1	2, 6	L	11, 12, 14, 15, 16				Right
		1	2, 6	L	51, 52, 54, 55, 56				Right
		1	3, 7	L	02, 06				Right
		1	3, 7	L	12, 15, 16				Right
4									CLIP, Visor
	05125854AA	8	2, 6	L	01, 02, 06				
		8	2, 6	L	11, 12, 14, 15, 16				
		8	2, 6	L	51, 52, 54, 55, 56				
		2	3, 7	L	12, 15, 16				
		2	3, 7	L	02, 06				
5									BRACKET, Trim
	05124268AA	4	2, 6	L	11, 12, 14, 15, 16				
		4	2, 6	L	51, 52, 54, 55, 56				
		4	3, 7	L	12, 15, 16				
6									SCREW
	06104505AA	8	2, 6	L	11, 12, 14, 15, 16				

SPRINTER (VA)
SERIES **LINE** **BODY** **ENGINE** **TRANSMISSION**
L = LOWLINE 3 = HD DODGE 2WD 12 = Van 140" EX8 = Engine - 2.7L I5 DGJ = Transmission - 5-Spd Auto, MB
 8 = HD DODGE 4WD 51 = Wagon 118" Mercedes-Benz TD
 6 = Lt. Duty DODGE 4WD 52 = Wagon 140"
 2 = Med. Duty DODGE 2WD 14 = Van 118"
 7 = Med. Duty DODGE 4WD 15 = Van 140"
 4 = TRUCK 16 = Van 158"
 54 = Wagon 118"
 55 = Wagon 140"
 56 = Wagon 158"
 01 = Chassis Forward Control 118"
 02 = Chassis Forward Control 140"
 06 = Front Section 158"
 11 = Van 118"

AR = use ase required - = Non illustrated part

Sunvisors, Grabhandles, Shelf and Attaching Parts
Figure IVA-120



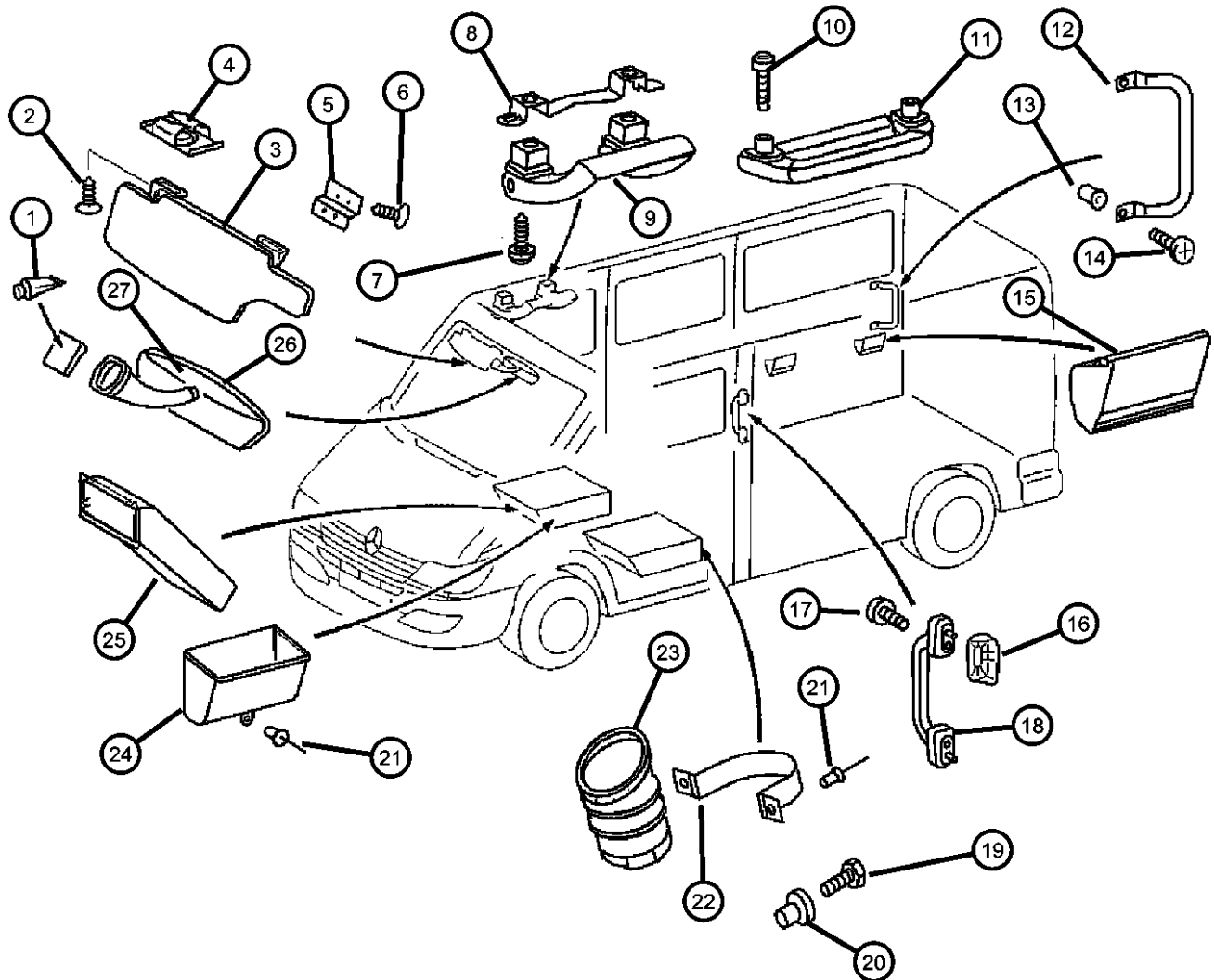
ITEM	PART NUMBER	QTY	LINE	SERIES	BODY	ENGINE	TRANS	TRIM	DESCRIPTION
		8	2, 6	L	51, 52, 54, 55, 56				
		8	3, 7	L	02, 06				
		8	3, 7	L	12, 15, 16				
		8	2, 6	L	01, 02, 06				
7									SCREW, Tapping
	06104574AA	2	2, 6	L	01, 02, 06				
		2	2, 6	L	11, 12, 14, 15, 16				
		2	2, 6	L	51, 52, 54, 55, 56				
		2	3, 7	L	12, 15, 16				
		2	3, 7	L	02, 06				
8									BRACKET, Grab Handle
	05124271AA	1	2, 6	L	11, 12, 14, 15, 16				With [CSR] Passenger Assist Handle
		1	2, 6	L	51, 52, 54, 55, 56				With [CSR] Passenger Assist Handle
		1	3, 7	L	12, 15, 16				With [CSR] Passenger Assist Handle
9									HANDLE, Grab
	05104437AA	1	2, 6	L	11, 12, 14, 15, 16				
		1	2, 6	L	51, 52, 54, 55, 56				
		1	3, 7	L	12, 15, 16				
10		1							SCREW, (NOT SERVICED)
11									HANDLE, Grab
	0ZF48CS8AA	1	2, 6	L	01, 02, 06			*B7	
		1	3, 7	L	02, 06			*B7	
12									HANDLE, Grab
	05104448AA	2	2, 6	L	51, 52, 54, 55, 56				

SPRINTER (VA)

SERIES	LINE	BODY	ENGINE	TRANSMISSION
L = LOWLINE	3 = HD DODGE 2WD 8 = HD DODGE 4WD 6 = Lt. Duty DODGE 4WD 2 = Med. Duty DODGE 2WD 7 = Med. Duty DODGE 4WD 4 = TRUCK	12 = Van 140" 51 = Wagon 118" 52 = Wagon 140" 14 = Van 118" 15 = Van 140" 16 = Van 158" 54 = Wagon 118" 55 = Wagon 140" 56 = Wagon 158" 01 = Chassis Forward Control 118" 02 = Chassis Forward Control 140" 06 = Front Section 158" 11 = Van 118"	EX8 = Engine - 2.7L I5 Mercedes-Benz TD	DGJ = Transmission - 5-Spd Auto, MB

AR = use ase required - = Non illustrated part

Sunvisors, Grabhandles, Shelf and Attaching Parts
Figure IVA-120

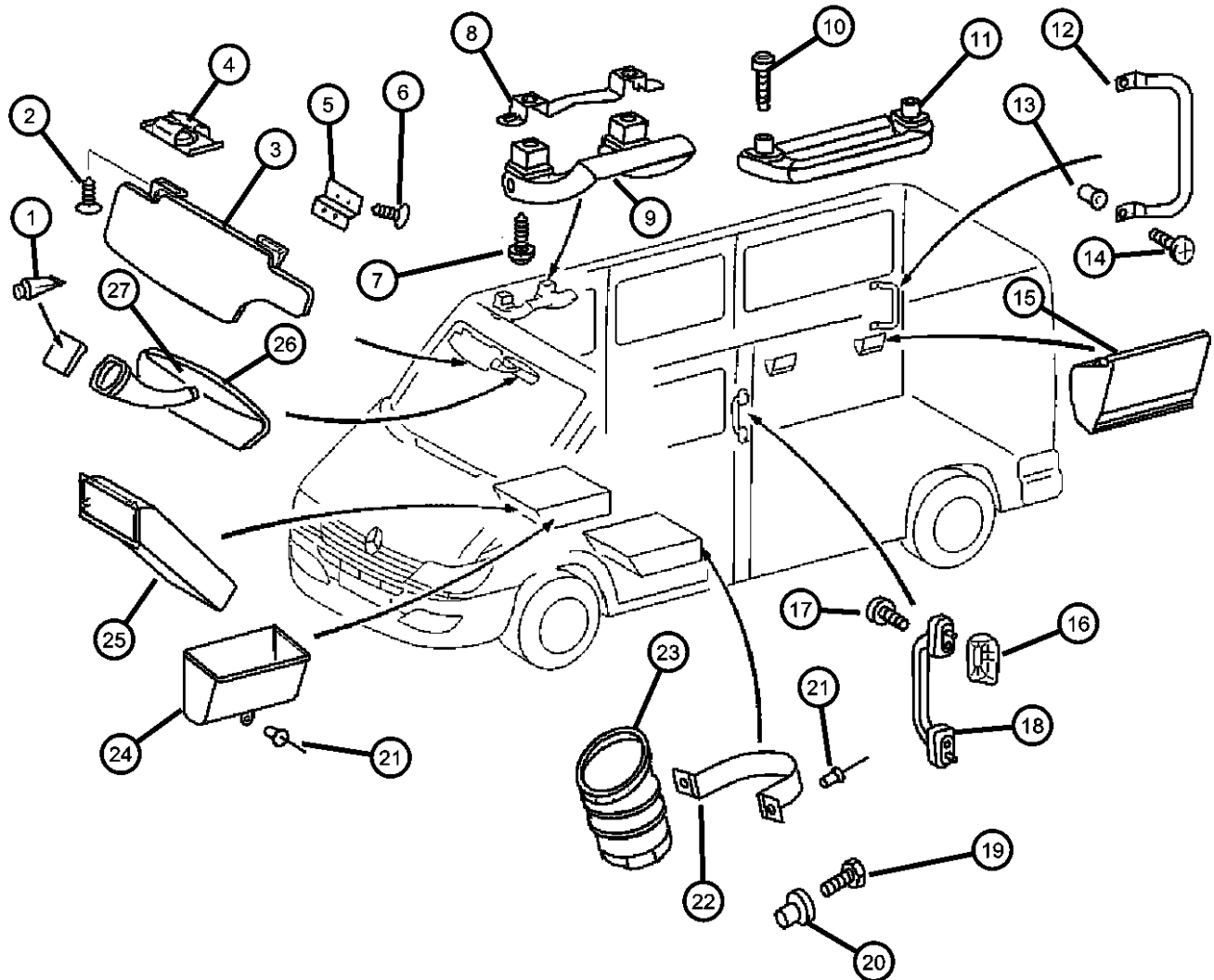


ITEM	PART NUMBER	QTY	LINE	SERIES	BODY	ENGINE	TRANS	TRIM	DESCRIPTION
		1	2, 6	L	11, 12, 14, 15, 16				
		2	3, 7	L	12, 15, 16				
13	05104678AA	2	2, 6	L	01, 02, 06				NUTSERT, Rivet
		2	2, 6	L	11, 12, 14, 15, 16				
		2	2, 6	L	51, 52, 54, 55, 56				
		2	3, 7	L	12, 15, 16				
14	06104153AA	2	2, 6	L	11, 12, 14, 15, 16				SCREW
		2	2, 6	L	51, 52, 54, 55, 56				
		2	3, 7	L	12, 15, 16				
15	05124222AA	2	2, 6	L	12, 15				ASHTRAY
		2	2, 6	L	11, 14				
		2	2, 6	L	52, 55				
		2	2, 6	L	51, 54				
		2	3, 7	L	12, 15				
16	05124285AA	2	2, 6	L	11, 12, 14, 15, 16				COVER, Assist Handle
		2	2, 6	L	51, 52, 54, 55, 56				
		2	3, 7	L	12, 15, 16				
17	06104142AA	2	2, 6	L	01, 02, 06				SCREW
		2	2, 6	L	11, 12, 14, 15, 16				

SPRINTER (VA)
SERIES **LINE** **BODY** **ENGINE** **TRANSMISSION**
L = LOWLINE 3 = HD DODGE 2WD 12 = Van 140" EX8 = Engine - 2.7L I5 DGJ = Transmission - 5-Spd Auto, MB
 8 = HD DODGE 4WD 51 = Wagon 118" Mercedes-Benz TD
 6 = Lt. Duty DODGE 4WD 52 = Wagon 140"
 2 = Med. Duty DODGE 2WD 14 = Van 118"
 7 = Med. Duty DODGE 4WD 15 = Van 140"
 4 = TRUCK 16 = Van 158"
 54 = Wagon 118"
 55 = Wagon 140"
 56 = Wagon 158"
 01 = Chassis Forward Control
 118"
 02 = Chassis Forward Control
 140"
 06 = Front Section 158"
 11 = Van 118"

AR = use ase required - = Non illustrated part

Sunvisors, Grabhandles, Shelf and Attaching Parts
Figure IVA-120



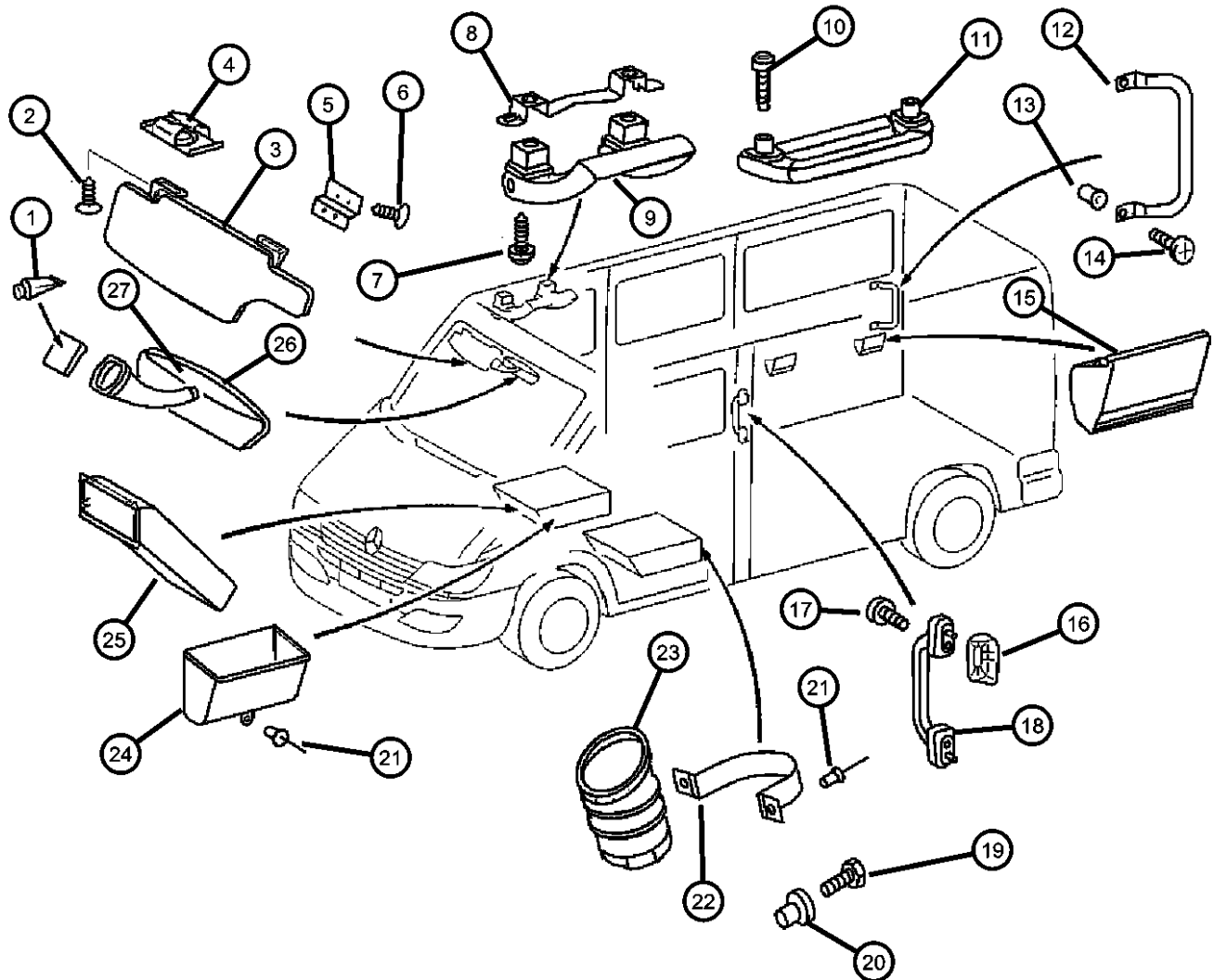
ITEM	PART NUMBER	QTY	LINE	SERIES	BODY	ENGINE	TRANS	TRIM	DESCRIPTION
		2	2, 6	L	51, 52, 54, 55, 56				
		2	3, 7	L	02, 06				
		2	3, 7	L	12, 15, 16				
18	05103676AA	2	2, 6	L	11, 12, 14, 15, 16				HANDLE, Grab
		2	2, 6	L	51, 52, 54, 55, 56				
		2	3, 7	L	12, 15, 16				
19	05134034AA	2	2, 6	L	01, 02, 06				SCREW
		2	2, 6	L	11, 12, 14, 15, 16				
		2	2, 6	L	51, 52, 54, 55, 56				
20	05133943AA	2	2, 6	L	01, 02, 06				NUT
		2	2, 6	L	11, 12, 14, 15, 16				
		99	3, 7	L	02, 06				
		99	3, 7	L	12, 15, 16				
		2	2, 6	L	51, 52, 54, 55, 56				
21	05133934AA	1	2, 6	L	01, 02, 06				RIVET, M4.8
		1	2, 6	L	11, 12, 14, 15, 16				
		1	2, 6	L	51, 52, 54, 55, 56				
		1	3, 7	L	02, 06				
		1	3, 7	L	12, 15, 16				
22									BRACKET, Cup Holder

SPRINTER (VA)
SERIES **LINE** **BODY** **ENGINE** **TRANSMISSION**
L = LOWLINE 3 = HD DODGE 2WD 12 = Van 140" EX8 = Engine - 2.7L I5 DGJ = Transmission - 5-Spd Auto, MB
 8 = HD DODGE 4WD 51 = Wagon 118" Mercedes-Benz TD
 6 = Lt. Duty DODGE 4WD 52 = Wagon 140"
 2 = Med. Duty DODGE 2WD 14 = Van 118"
 7 = Med. Duty DODGE 4WD 15 = Van 140"
 4 = TRUCK 16 = Van 158"
 54 = Wagon 118"
 55 = Wagon 140"
 56 = Wagon 158"
 01 = Chassis Forward Control 118"
 02 = Chassis Forward Control 140"
 06 = Front Section 158"
 11 = Van 118"

AR = use ase required - = Non illustrated part

Sunvisors, Grabhandles, Shelf and Attaching Parts
Figure IVA-120

ITEM	PART NUMBER	QTY	LINE	SERIES	BODY	ENGINE	TRANS	TRIM	DESCRIPTION
	05125038AA	1	2, 6	L	11, 12, 14, 15, 16				
		1	2, 6	L	51, 52, 54, 55, 56				
		1	3, 7	L	12, 15, 16				
23	1AQ31CSSAA	1	2, 6	L	11, 12, 14, 15, 16				HOLDER, Cup
		1	2, 6	L	51, 52, 54, 55, 56				
		1	3, 7	L	12, 15, 16				
24	05104496AA	1	2, 6	L	01, 02, 06				BIN, Storage
		1	2, 6	L	11, 12, 14, 15, 16				
		1	2, 6	L	51, 52, 54, 55, 56				
		1	3, 7	L	02, 06				
		1	3, 7	L	12, 15, 16				
25		1							BIN, Storage, (NOT SERVICED)
26									MIRROR, Inside Rear View
	05104435AA	1	2, 6	L	01, 02, 06				
		1	2, 6	L	11, 12, 14, 15, 16				
		1	2, 6	L	51, 52, 54, 55, 56				
		1	3, 7	L	02, 06				
		1	3, 7	L	12, 15, 16				
27									BUTTON, Rear View Mirror
	05104241AA	1	2, 6	L	01, 02, 06				
		1	2, 6	L	11, 12, 14, 15, 16				

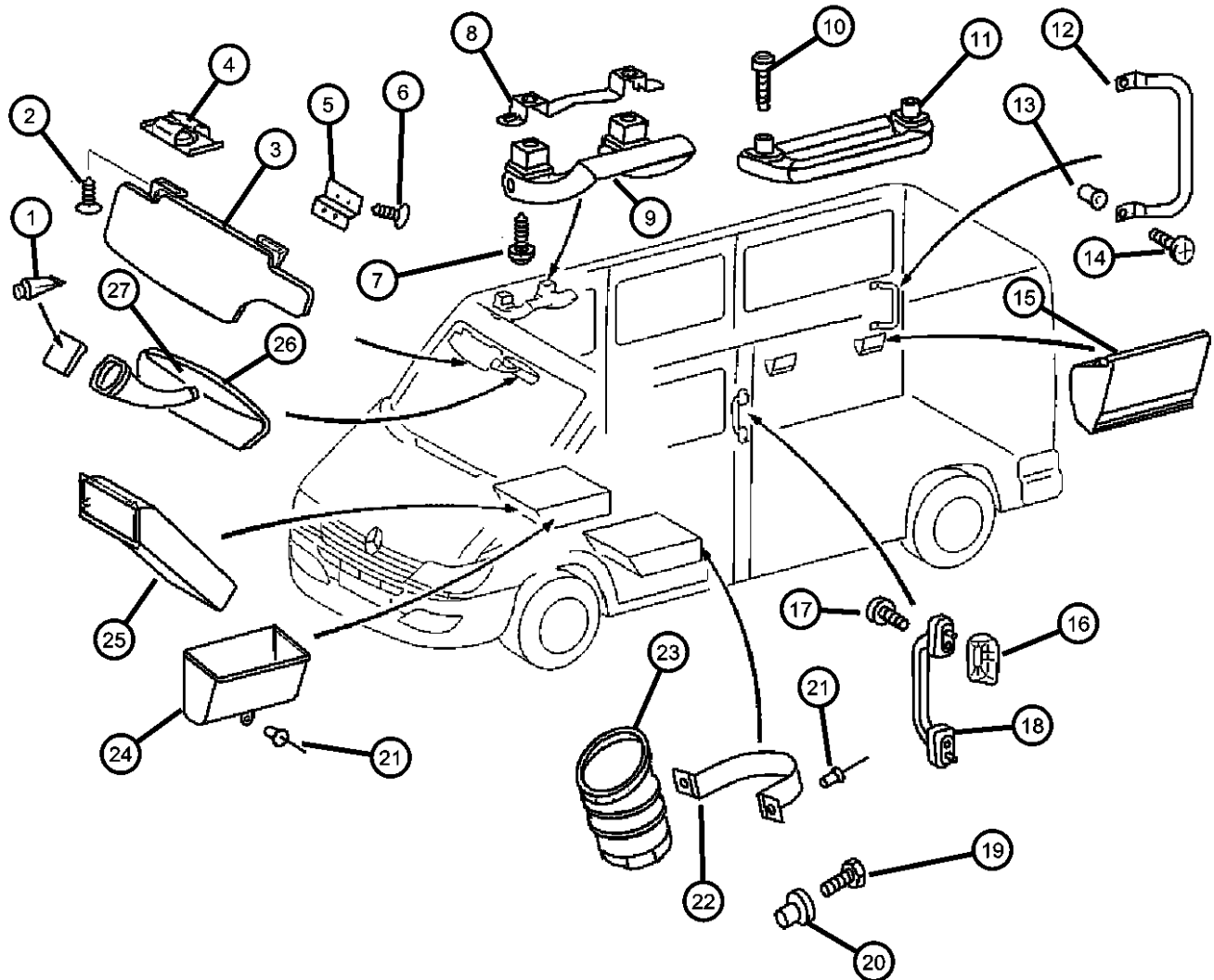


SPRINTER (VA)
SERIES LINE BODY ENGINE TRANSMISSION
L = LOWLINE 3 = HD DODGE 2WD 12 = Van 140" EX8 = Engine - 2.7L I5 DGJ = Transmission - 5-Spd Auto, MB
8 = HD DODGE 4WD 51 = Wagon 118" Mercedes-Benz TD
6 = Lt. Duty DODGE 4WD 52 = Wagon 140"
2 = Med. Duty DODGE 2WD 14 = Van 118"
7 = Med. Duty DODGE 4WD 15 = Van 140"
4 = TRUCK 16 = Van 158"
54 = Wagon 118"
55 = Wagon 140"
56 = Wagon 158"
01 = Chassis Forward Control 118"
02 = Chassis Forward Control 140"
06 = Front Section 158"
11 = Van 118"

Sunvisors, Grabhandles, Shelf and Attaching Parts
Figure IVA-120

ITEM	PART NUMBER	QTY	LINE	SERIES	BODY	ENGINE	TRANS	TRIM	DESCRIPTION
------	-------------	-----	------	--------	------	--------	-------	------	-------------

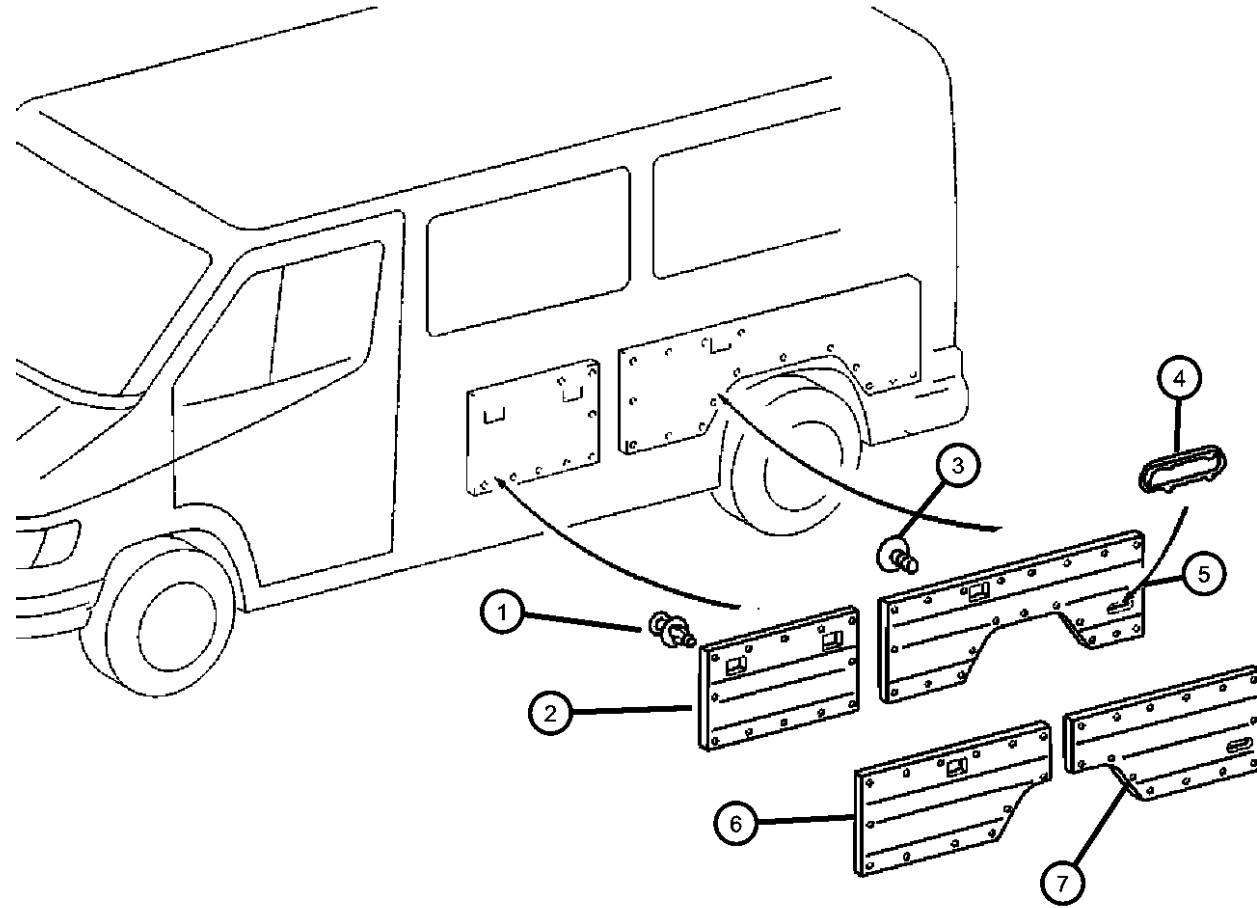
		1	2, 6	L	51, 52, 54, 55, 56				
		1	3, 7	L	02, 06				
		1	3, 7	L	12, 15, 16				



SPRINTER (VA)				
SERIES	LINE	BODY	ENGINE	TRANSMISSION
L = LOWLINE	3 = HD DODGE 2WD 8 = HD DODGE 4WD 6 = Lt. Duty DODGE 4WD 2 = Med. Duty DODGE 2WD 7 = Med. Duty DODGE 4WD 4 = TRUCK	12 = Van 140" 51 = Wagon 118" 52 = Wagon 140" 14 = Van 118" 15 = Van 140" 16 = Van 158" 54 = Wagon 118" 55 = Wagon 140" 56 = Wagon 158" 01 = Chassis Forward Control 118" 02 = Chassis Forward Control 140" 06 = Front Section 158" 11 = Van 118"	EX8 = Engine - 2.7L I5 Mercedes-Benz TD	DGJ = Transmission - 5-Spd Auto, MB

AR = use ase required - = Non illustrated part

**Inner Panels - Fabric
Figure IVA-210**



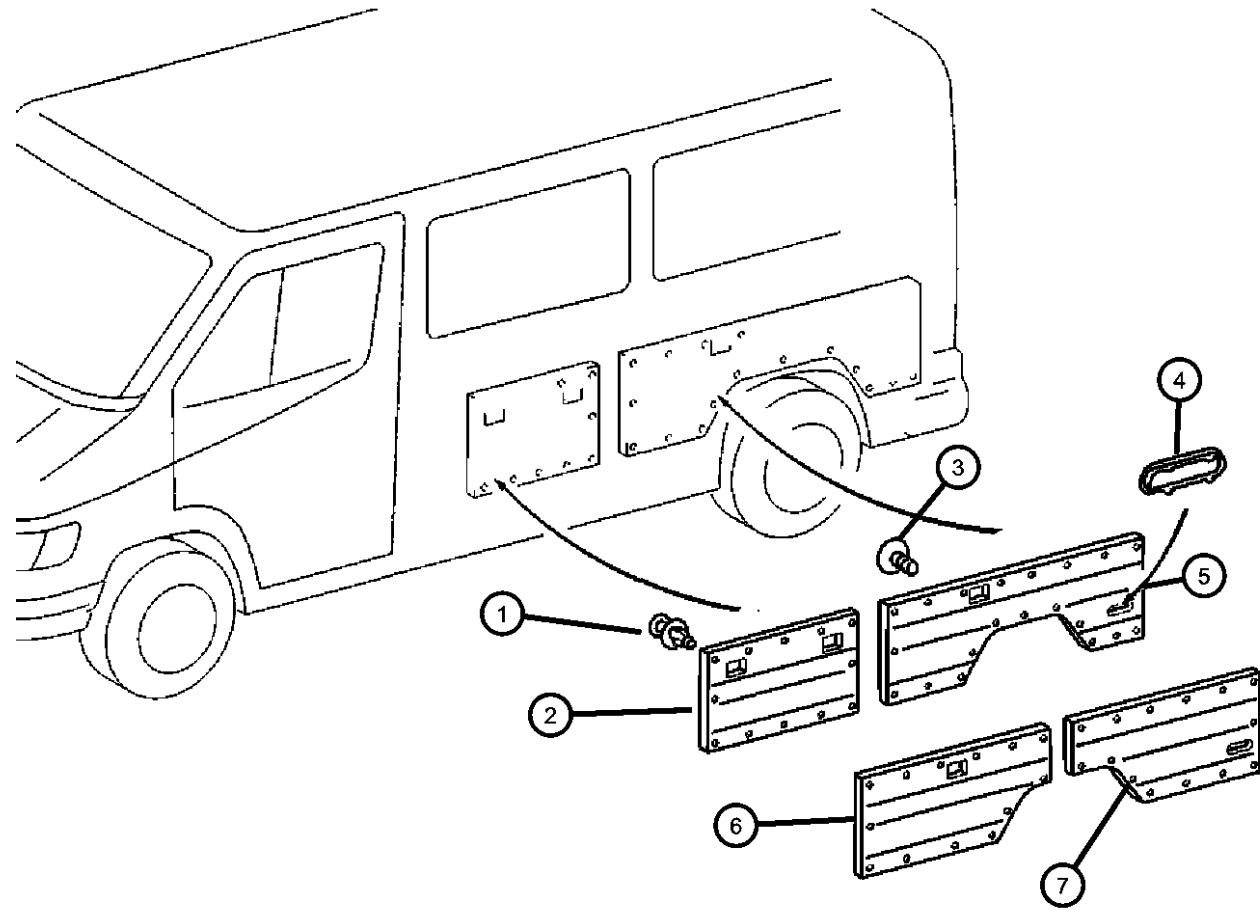
ITEM	PART NUMBER	QTY	LINE	SERIES	BODY	ENGINE	TRANS	TRIM	DESCRIPTION
1	06104895AA	10	2, 6	L	11, 12, 14, 15, 16				PIN, Push
		10	2, 6	L	51, 52, 54, 55, 56				
		10	3, 7	L	12, 15, 16				
2	05123007AA	1	3, 7	L	12, 15, 16				PANEL, Inner Right
	05123006AA	1	2, 6	L	11, 12, 14, 15, 16				Left
		1	2, 6	L	51, 52, 54, 55, 56				Left
		1	3, 7	L	12, 15, 16				Left
		1	2, 6	L	11, 12, 14, 15, 16				Right
		1	2, 6	L	51, 52, 54, 55, 56				Right
3	05125988AA	4	2, 6	L	51, 54				PLUG, Rear Seatbelt Hole
		6	2, 6	L	56				
		4	2, 6	L	52, 55				
4	05123426AA	2	2, 6	L	01, 02, 06				EXHAUSTER, Quarter Panel
		2	2, 6	L	11, 12, 14, 15, 16				
		2	2, 6	L	51, 52, 54, 55, 56				
		2	3, 7	L	02, 06				
		2	3, 7	L	12, 15, 16				
5	05123014AA	1	2, 6	L	12, 15				PANEL, Quarter Trim Used With Four Fold Loudspeakers
		1	2, 6	L	52, 55				Used With Four Fold Loudspeakers

SPRINTER (VA)

SERIES	LINE	BODY	ENGINE	TRANSMISSION
L = LOWLINE	3 = HD DODGE 2WD 8 = HD DODGE 4WD 6 = Lt. Duty DODGE 4WD 2 = Med. Duty DODGE 2WD 7 = Med. Duty DODGE 4WD 4 = TRUCK	12 = Van 140" 51 = Wagon 118" 52 = Wagon 140" 14 = Van 118" 15 = Van 140" 16 = Van 158" 54 = Wagon 118" 55 = Wagon 140" 56 = Wagon 158" 01 = Chassis Forward Control 118" 02 = Chassis Forward Control 140" 06 = Front Section 158" 11 = Van 118"	EX8 = Engine - 2.7L I5 Mercedes-Benz TD	DGJ = Transmission - 5-Spd Auto, MB

AR = use ase required - = Non illustrated part

**Inner Panels - Fabric
Figure IVA-210**



ITEM	PART NUMBER	QTY	LINE	SERIES	BODY	ENGINE	TRANS	TRIM	DESCRIPTION
		1	3, 7	L	12, 15				Used With Four Fold Loudspeakers
6									PANEL, Quarter Trim
	05123020AA	1	3, 7	L	16				In Front Of Wheelhouse, Without Loudspeaker, Left
	05123023AA	1	2, 6	L	16				In Front Of Wheelhouse, Without Loudspeaker, Right
		1	2, 6	L	56				In Front Of Wheelhouse, Without Loudspeaker, Right
		1	3, 7	L	16				In Front Of Wheelhouse, Without Loudspeaker, Right
		1	2, 6	L	16				In Front Of Wheelhouse, Without Loudspeaker, Left
		1	2, 6	L	56				In Front Of Wheelhouse, Without Loudspeaker, Left
	05123029AA	1	2, 6	L	16				In Front Of Wheelhouse, With Loudspeaker, Left
		1	2, 6	L	56				In Front Of Wheelhouse, With Loudspeaker, Left
		1	3, 7	L	16				In Front Of Wheelhouse, With Loudspeaker, Left
	05123032AA	1	2, 6	L	16				In Front Of Wheelhouse, With Loudspeaker, Right
		1	2, 6	L	56				In Front Of Wheelhouse, With Loudspeaker, Right
		1	3, 7	L	16				In Front Of Wheelhouse, With Loudspeaker, Right
7									PANEL, Quarter Trim
	05123027AA	1	2, 6	L	51, 52, 54, 55, 56				Behind the Wheel Arch, Right
	05123025AA	1	2, 6	L	11, 12, 14, 15, 16				Behind the Wheel Arch, Left
		1	2, 6	L	51, 52, 54, 55, 56				Behind the Wheel Arch, Left
		1	3, 7	L	12, 15, 16				Behind the Wheel Arch, Left

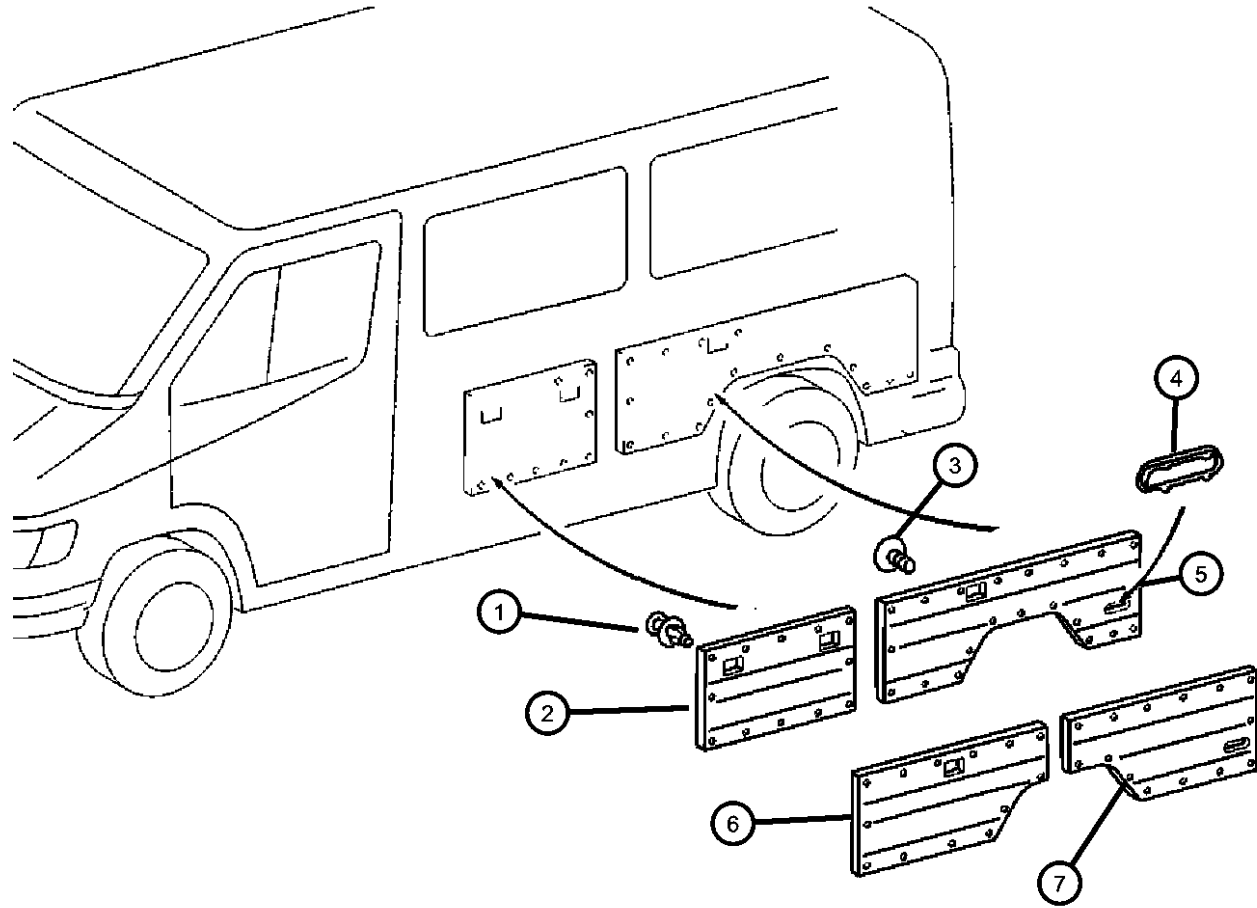
SPRINTER (VA)

SERIES	LINE	BODY	ENGINE	TRANSMISSION
L = LOWLINE	3 = HD DODGE 2WD 8 = HD DODGE 4WD 6 = Lt. Duty DODGE 4WD 2 = Med. Duty DODGE 2WD 7 = Med. Duty DODGE 4WD 4 = TRUCK	12 = Van 140" 51 = Wagon 118" 52 = Wagon 140" 14 = Van 118" 15 = Van 140" 16 = Van 158" 54 = Wagon 118" 55 = Wagon 140" 56 = Wagon 158" 01 = Chassis Forward Control 118" 02 = Chassis Forward Control 140" 06 = Front Section 158" 11 = Van 118"	EX8 = Engine - 2.7L I5 Mercedes-Benz TD	DGJ = Transmission - 5-Spd Auto, MB

AR = use ase required - = Non illustrated part

**Inner Panels - Fabric
Figure IVA-210**

ITEM	PART NUMBER	QTY	LINE	SERIES	BODY	ENGINE	TRANS	TRIM	DESCRIPTION
		1	2, 6	L	11, 12, 14, 15, 16				Behind the Wheel Arch, Right
		1	3, 7	L	12, 15, 16				Behind the Wheel Arch, Right



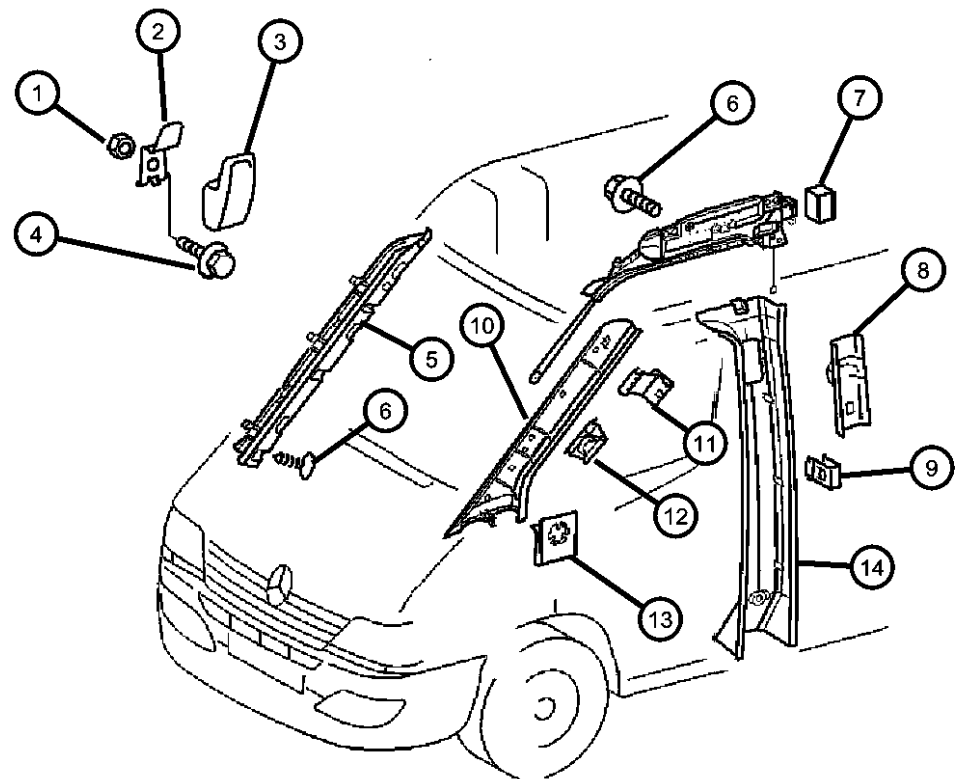
SPRINTER (VA)

SERIES	LINE	BODY	ENGINE	TRANSMISSION
L = LOWLINE	3 = HD DODGE 2WD 8 = HD DODGE 4WD 6 = Lt. Duty DODGE 4WD 2 = Med. Duty DODGE 2WD 7 = Med. Duty DODGE 4WD 4 = TRUCK	12 = Van 140" 51 = Wagon 118" 52 = Wagon 140" 14 = Van 118" 15 = Van 140" 16 = Van 158" 54 = Wagon 118" 55 = Wagon 140" 56 = Wagon 158" 01 = Chassis Forward Control 118" 02 = Chassis Forward Control 140" 06 = Front Section 158" 11 = Van 118"	EX8 = Engine - 2.7L I5 Mercedes-Benz TD	DGJ = Transmission - 5-Spd Auto, MB

AR = use ase required - = Non illustrated part

**Inner Panels - Cab
Figure IVA-215**

ITEM	PART NUMBER	QTY	LINE	SERIES	BODY	ENGINE	TRANS	TRIM	DESCRIPTION
1	06104724AA	1	2, 6	L	01, 02, 06				NUT, Hex
		1	3, 7	L	02, 06				
2	05124273AA	1	2, 6	L	01, 02, 06				HOOK, Coat
		1	3, 7	L	02, 06				
3	0ZF49CS8AA	1	2, 6	L	01, 02, 06			*B7	HANGER, Coat
		1	3, 7	L	02, 06			*B7	
4	06104172AA	1	2, 6	L	01, 02, 06				SCREW
		2	2, 6	L	11, 12, 14, 15, 16				
		2	2, 6	L	51, 52, 54, 55, 56				
		1	3, 7	L	02, 06				
5	05104273AA	1	2, 6	L	11, 12, 14, 15, 16				FILLER Right
		1	2, 6	L	51, 52, 54, 55, 56				Right
		1	3, 7	L	12, 15, 16				Right
	05123185AA	1	2, 6	L	11, 12, 14, 15, 16				Left
		1	2, 6	L	51, 52, 54, 55, 56				Left
		1	3, 7	L	12, 15, 16				Left
6	06104610AA	5	2, 6	L	01, 02, 06				SCREW
		5	2, 6	L	51, 52, 54, 55, 56				
		5	2, 6	L	11, 12, 14, 15, 16				



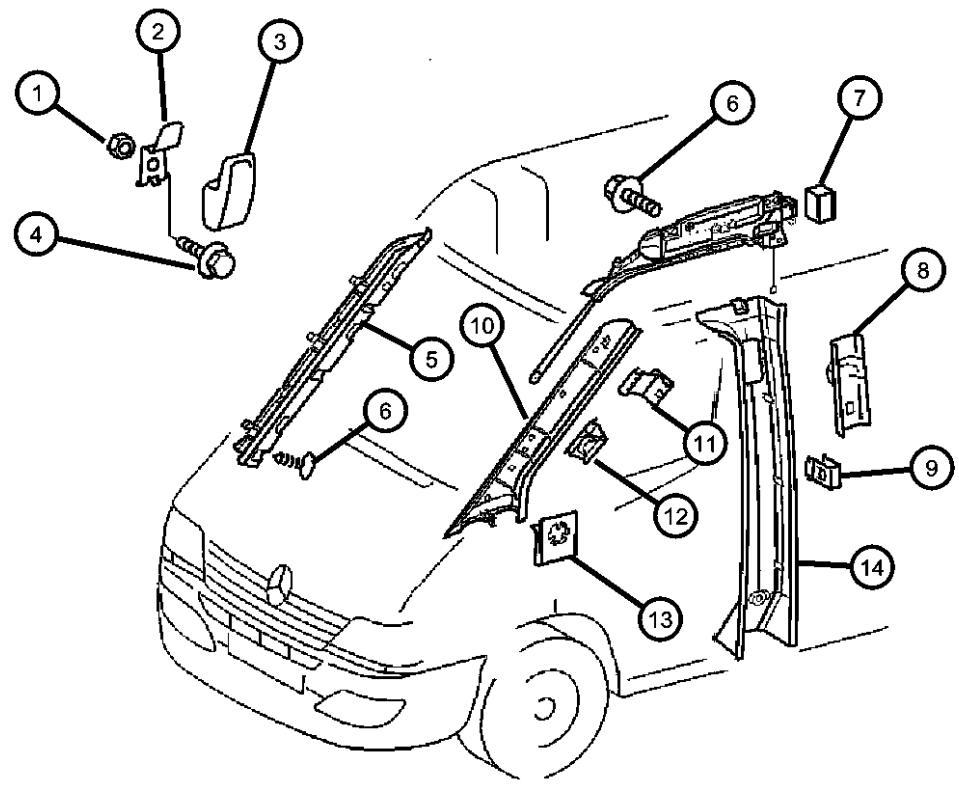
SPRINTER (VA)

SERIES	LINE	BODY	ENGINE	TRANSMISSION
L = LOWLINE	3 = HD DODGE 2WD 8 = HD DODGE 4WD 6 = Lt. Duty DODGE 4WD 2 = Med. Duty DODGE 2WD 7 = Med. Duty DODGE 4WD 4 = TRUCK	12 = Van 140" 51 = Wagon 118" 52 = Wagon 140" 14 = Van 118" 15 = Van 140" 16 = Van 158" 54 = Wagon 118" 55 = Wagon 140" 56 = Wagon 158" 01 = Chassis Forward Control 118" 02 = Chassis Forward Control 140" 06 = Front Section 158" 11 = Van 118"	EX8 = Engine - 2.7L I5 Mercedes-Benz TD	DGJ = Transmission - 5-Spd Auto, MB

AR = use ase required - = Non illustrated part

Inner Panels - Cab
Figure IVA-215

ITEM	PART NUMBER	QTY	LINE	SERIES	BODY	ENGINE	TRANS	TRIM	DESCRIPTION
		5	3, 7	L	02, 06				
		5	3, 7	L	12, 15, 16				
7		5							SPACER, (NOT SERVICED)
8									COVER, Seat Belt Guide
	05104275AA	1	2, 6	L	01, 02, 06				
		1	2, 6	L	11, 12, 14, 15, 16				
		1	2, 6	L	51, 52, 54, 55, 56				
9									CLIP, Trim
	05125575AA	5	2, 6	L	11, 12, 14, 15, 16				
		5	2, 6	L	51, 52, 54, 55, 56				
		5	3, 7	L	12, 15, 16				
10									PANEL, A Pillar Trim
	05104276AA	1	3, 7	L	12, 15, 16				Left
		1	2, 6	L	11, 12, 14, 15, 16				Left
		1	2, 6	L	51, 52, 54, 55, 56				Left
	05123043AA	1	2, 6	L	11, 12, 14, 15, 16				With Cell Phone Prep Package, Left
		1	2, 6	L	51, 52, 54, 55, 56				With Cell Phone Prep Package, Left
		1	3, 7	L	12, 15, 16				With Cell Phone Prep Package, Left
	05123046AA	1	2, 6	L	11, 12, 14, 15, 16				Right
		1	2, 6	L	51, 52, 54, 55, 56				Right
		1	3, 7	L	12, 15, 16				Right
11		1							CLIP, (NOT SERVICED)
12									CLIP, Trim

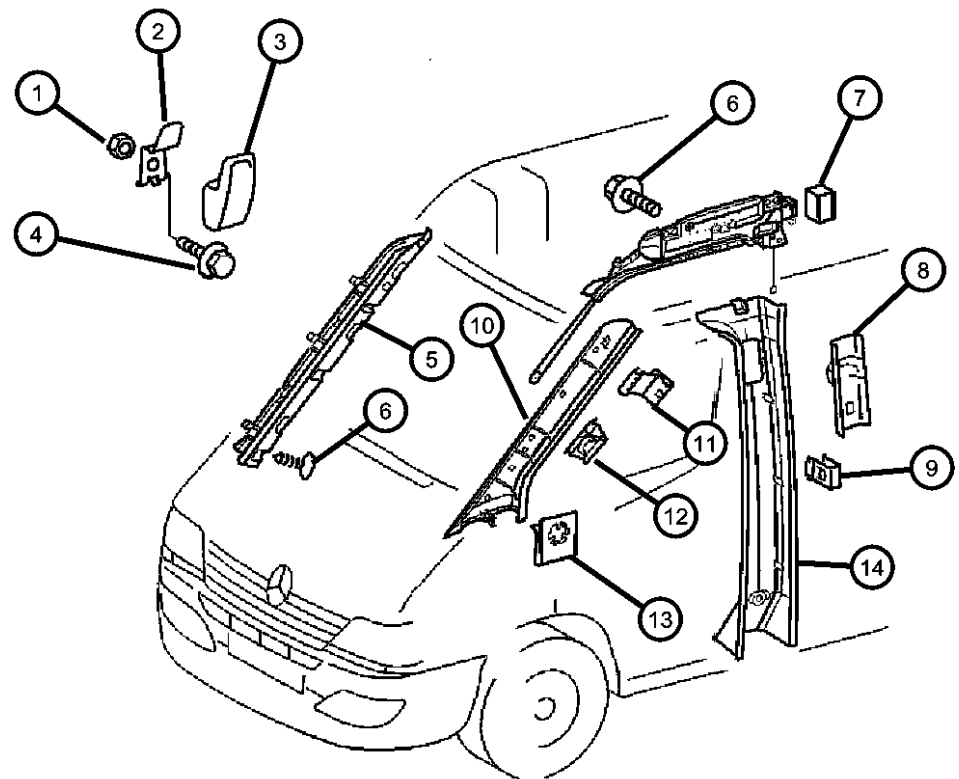


SPRINTER (VA)				
SERIES	LINE	BODY	ENGINE	TRANSMISSION
L = LOWLINE	3 = HD DODGE 2WD 8 = HD DODGE 4WD 6 = Lt. Duty DODGE 4WD 2 = Med. Duty DODGE 2WD 7 = Med. Duty DODGE 4WD 4 = TRUCK	12 = Van 140" 51 = Wagon 118" 52 = Wagon 140" 14 = Van 118" 15 = Van 140" 16 = Van 158" 54 = Wagon 118" 55 = Wagon 140" 56 = Wagon 158" 01 = Chassis Forward Control 118" 02 = Chassis Forward Control 140" 06 = Front Section 158" 11 = Van 118"	EX8 = Engine - 2.7L I5 Mercedes-Benz TD	DGJ = Transmission - 5-Spd Auto, MB

AR = use ase required - = Non illustrated part

**Inner Panels - Cab
Figure IVA-215**

ITEM	PART NUMBER	QTY	LINE	SERIES	BODY	ENGINE	TRANS	TRIM	DESCRIPTION
	05125575AA	5	2, 6	L	11, 12, 14, 15, 16				
		5	2, 6	L	51, 52, 54, 55, 56				
		5	3, 7	L	12, 15, 16				
13		5							CLIP, (NOT SERVICED)
14									PANEL, B Pillar Trim
	05104288AA	1	2, 6	L	11, 12, 14, 15, 16				With Partition, Left
		1	3, 7	L	12, 15, 16				With Partition, Left
	05104289AA	1	2, 6	L	11, 12, 14, 15, 16				With Partition, With Non Passable Partition, Right
		1	3, 7	L	12, 15, 16				With Partition, With Non Passable Partition, Right
	05104290AA	1	2, 6	L	11, 12, 14, 15, 16				With Partition, With Passable Partition, Right
		1	3, 7	L	12, 15, 16				With Partition, With Passable Partition, Right
	05123267AA	1	2, 6	L	11, 12, 14, 15, 16				Without Left Sliding Door, Left
		1	2, 6	L	51, 52, 54, 55, 56				Without Left Sliding Door, Left
		1	3, 7	L	12, 15, 16				Without Left Sliding Door, Left
	05123275AA	1	2, 6	L	11, 12, 14, 15, 16				With Left Sliding Door, Without Grab Handle, Load Ring, Left
		1	2, 6	L	51, 52, 54, 55, 56				With Left Sliding Door, Without Grab Handle, Load Ring, Left
		1	3, 7	L	12, 15, 16				With Left Sliding Door, Without Grab Handle, Load Ring, Left
	05123287AA	1	3, 7	L	12, 15, 16				With Right Sliding Door and Load Ring, Without Grab Handle, Right
	05123304AA	1	2, 6	L	11, 12, 14, 15, 16				With Left Sliding Door and Grab Handle Without Load Ring, Left
		1	2, 6	L	51, 52, 54, 55, 56				With Left Sliding Door and Grab Handle Without Load Ring, Left



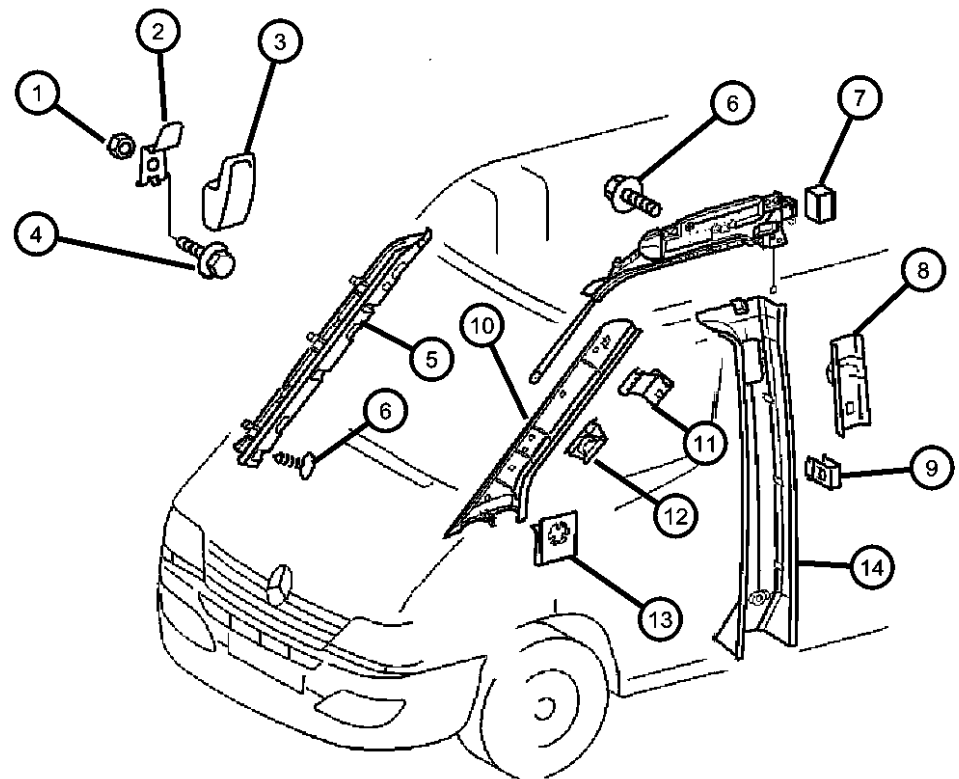
SPRINTER (VA)

SERIES	LINE	BODY	ENGINE	TRANSMISSION
L = LOWLINE	3 = HD DODGE 2WD 8 = HD DODGE 4WD 6 = Lt. Duty DODGE 4WD 2 = Med. Duty DODGE 2WD 7 = Med. Duty DODGE 4WD 4 = TRUCK	12 = Van 140" 51 = Wagon 118" 52 = Wagon 140" 14 = Van 118" 15 = Van 140" 16 = Van 158" 54 = Wagon 118" 55 = Wagon 140" 56 = Wagon 158" 01 = Chassis Forward Control 118" 02 = Chassis Forward Control 140" 06 = Front Section 158" 11 = Van 118"	EX8 = Engine - 2.7L I5 Mercedes-Benz TD	DGJ = Transmission - 5-Spd Auto, MB

AR = use ase required - = Non illustrated part

**Inner Panels - Cab
Figure IVA-215**

ITEM	PART NUMBER	QTY	LINE	SERIES	BODY	ENGINE	TRANS	TRIM	DESCRIPTION
		1	3, 7	L	12, 15, 16				With Left Sliding Door and Grab Handle Without Load Ring, Left
	05123306AA	1	2, 6	L	11, 12, 14, 15, 16				With Right Sliding Door and Grab Handle Without Load Ring, Right
		1	2, 6	L	51, 52, 54, 55, 56				With Right Sliding Door and Grab Handle Without Load Ring, Right
	05123285AA	1	2, 6	L	11, 12, 14, 15, 16				With Left Sliding Door and Load Ring, Without Grab Handle, Left
		1	2, 6	L	51, 52, 54, 55, 56				With Left Sliding Door and Load Ring, Without Grab Handle, Left
		1	3, 7	L	12, 15, 16				With Left Sliding Door and Load Ring, Without Grab Handle, Left
		1	2, 6	L	11, 12, 14, 15, 16				With Right Sliding Door and Load Ring, Without Grab Handle, Right
		1	2, 6	L	51, 52, 54, 55, 56				With Right Sliding Door and Load Ring, Without Grab Handle, Right
		1	3, 7	L	12, 15, 16				With Right Sliding Door and Grab Handle Without Load Ring, Right
	05123308AA	1	2, 6	L	11, 12, 14, 15, 16				With Left Sliding Door, Grab Handle and Load Ring, Left
		1	2, 6	L	51, 52, 54, 55, 56				With Left Sliding Door, Grab Handle and Load Ring, Left
		1	3, 7	L	12, 15, 16				With Left Sliding Door, Grab Handle and Load Ring, Left
	05123310AA	1	6, 2	L	11, 12, 14, 15, 16				With Right Sliding Door, Grab Handle and Load Ring, Right
		1	2, 6	L	51, 52, 54, 55, 56				With Right Sliding Door, Grab Handle and Load Ring, Right
		1	3, 7	L	12, 15, 16				With Right Sliding Door, Grab Handle and Load Ring, Right
-15									CLIP, U Type
	05125582AA	4	2, 6	L	01, 02, 06				
		5	2, 6	L	11, 12, 14, 15, 16				
		5	2, 6	L	51, 52, 54, 55, 56				

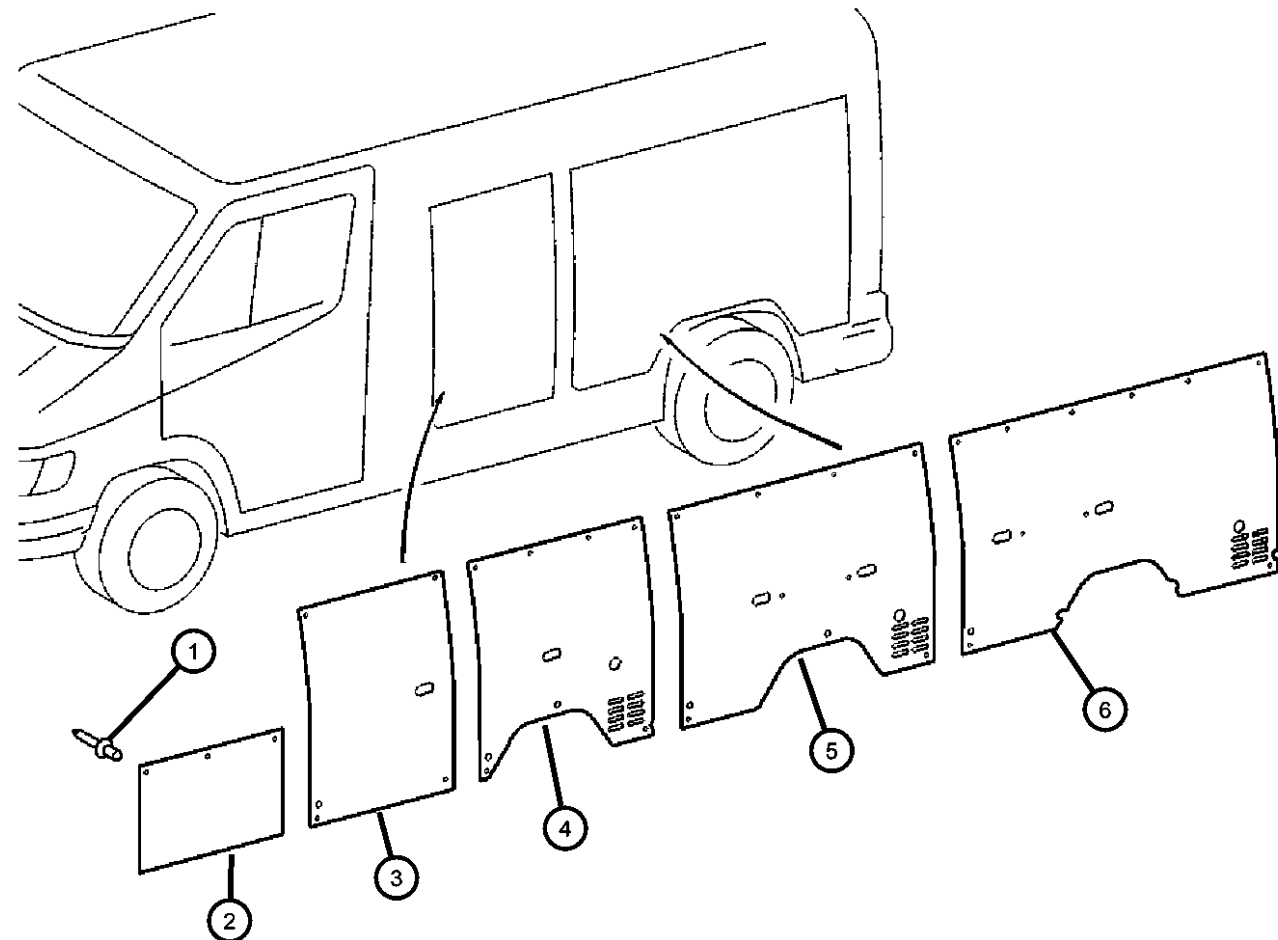


SPRINTER (VA)

SERIES	LINE	BODY	ENGINE	TRANSMISSION
L = LOWLINE	3 = HD DODGE 2WD 8 = HD DODGE 4WD 6 = Lt. Duty DODGE 4WD 2 = Med. Duty DODGE 2WD 7 = Med. Duty DODGE 4WD 4 = TRUCK	12 = Van 140" 51 = Wagon 118" 52 = Wagon 140" 14 = Van 118" 15 = Van 140" 16 = Van 158" 54 = Wagon 118" 55 = Wagon 140" 56 = Wagon 158" 01 = Chassis Forward Control 118" 02 = Chassis Forward Control 140" 06 = Front Section 158" 11 = Van 118"	EX8 = Engine - 2.7L I5 Mercedes-Benz TD	DGJ = Transmission - 5-Spd Auto, MB

AR = use ase required - = Non illustrated part

**Inner Panels - Plywood
Figure IVA-220**

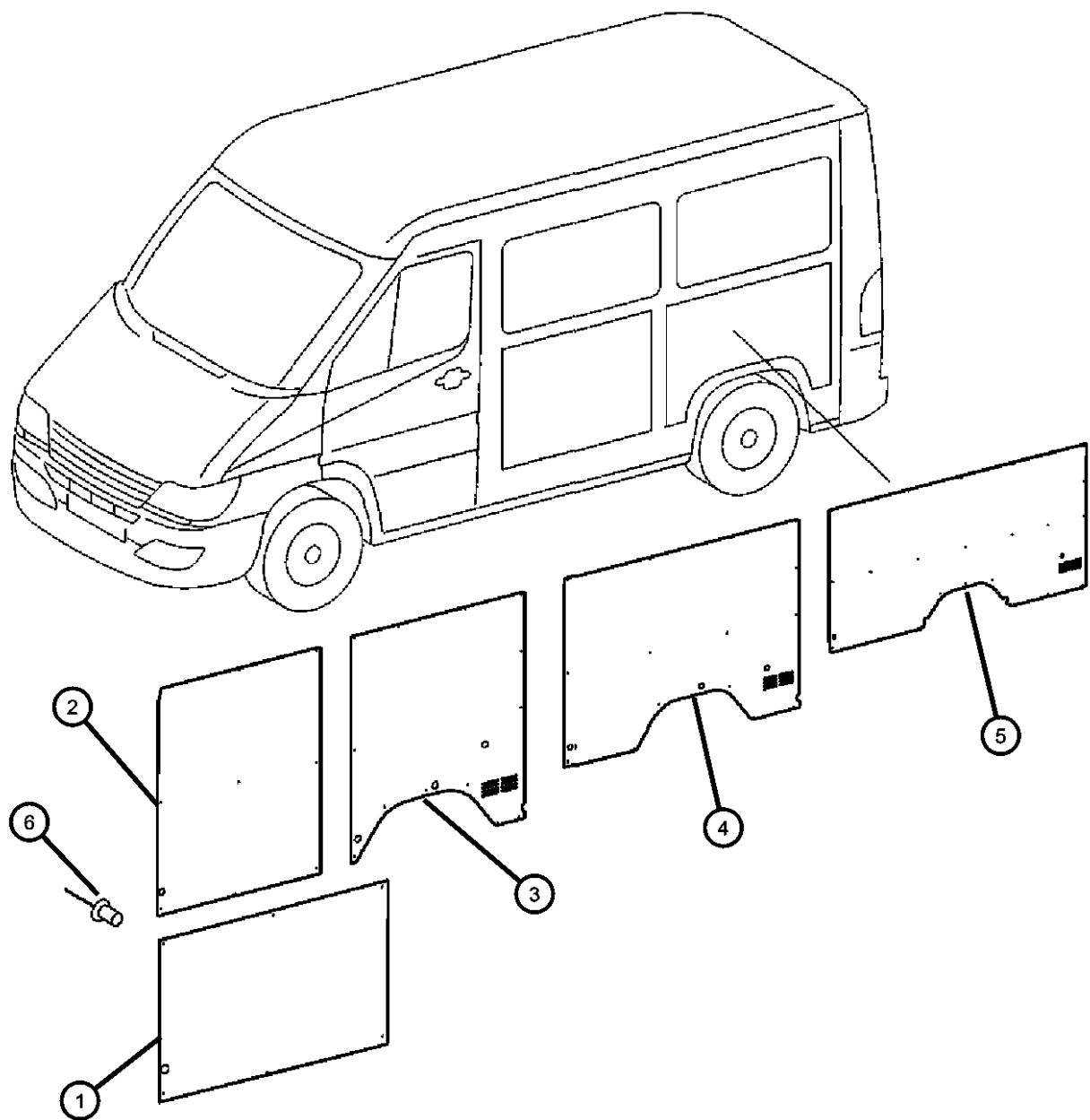


ITEM	PART NUMBER	QTY	LINE	SERIES	BODY	ENGINE	TRANS	TRIM	DESCRIPTION
1	06104865AA	10	2, 6	L	11, 12, 14, 15, 16				RIVET
		10	2, 6	L	51, 52, 54, 55, 56				
		10	3, 7	L	12, 15, 16				
2	05104295AA	1	3, 7	L	12, 15, 16				PANEL, Inner
		1	2, 6	L	11, 12, 14, 15, 16				
3	05104296AA	1	2, 6	L	11, 12, 14, 15, 16				PANEL, Inner
		1	3, 7	L	12, 15, 16				
4	05131868AA	2	2, 6	L	11, 14				PANEL, Side Trim
5	05123247AA	2	2, 6	L	12, 15				PANEL, Side Trim
		2	3, 7	L	12, 15				
6	05104294AA	2	2, 6	L	16				PANEL, Quarter Trim
		2	3, 7	L	16				

SPRINTER (VA)				
SERIES	LINE	BODY	ENGINE	TRANSMISSION
L = LOWLINE	3 = HD DODGE 2WD 8 = HD DODGE 4WD 6 = Lt. Duty DODGE 4WD 2 = Med. Duty DODGE 2WD 7 = Med. Duty DODGE 4WD 4 = TRUCK	12 = Van 140" 51 = Wagon 118" 52 = Wagon 140" 14 = Van 118" 15 = Van 140" 16 = Van 158" 54 = Wagon 118" 55 = Wagon 140" 56 = Wagon 158" 01 = Chassis Forward Control 118" 02 = Chassis Forward Control 140" 06 = Front Section 158" 11 = Van 118"	EX8 = Engine - 2.7L I5 Mercedes-Benz TD	DGJ = Transmission - 5-Spd Auto, MB

AR = use ase required - = Non illustrated part

**Inner Panel, Hard Fiber
Figure IVA-221**



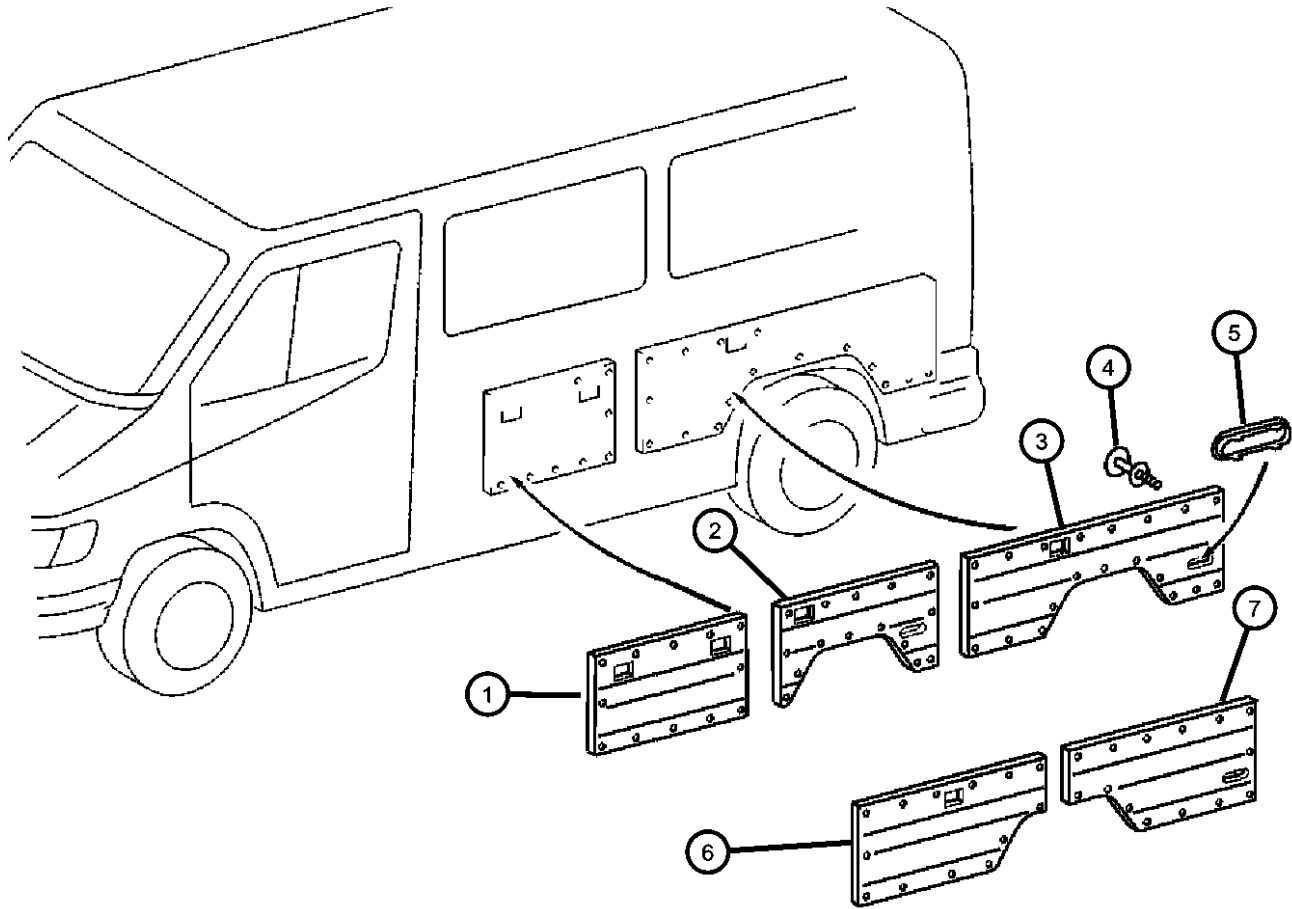
ITEM	PART NUMBER	QTY	LINE	SERIES	BODY	ENGINE	TRANS	TRIM	DESCRIPTION
1									PANEL, Cargo Compartment, Without Windows
	05123222AA	1	3, 7	L	12, 15, 16				
		1	2, 6	L	11, 12, 14, 15, 16				
2									PANEL, Cargo Compartment, Without Windows
	05123223AA	1	2, 6	L	11, 12, 14, 15, 16				
		1	3, 7	L	12, 15, 16				
3	05131857AA	2	2, 6	L	11, 14				PANEL, Quarter TrimRight & Left
4									PANEL, Quarter Trim
	05123224AA	2	2, 6	L	12, 15				Right & Left
		2	3, 7	L	12, 15				Right & Left
5									PANEL, Quarter Trim
	05123225AA	2	2, 6	L	16				Right & Left
		2	3, 7	L	16				Right & Left
6									RIVET
	06104865AA	10	2, 6	L	11, 12, 14, 15, 16				
		10	2, 6	L	51, 52, 54, 55, 56				
-7									SCREW, Hex Head, Panel Attaching Screw
	06104117AA	10	3, 7	L	12, 15, 16				
		10	2, 6	L	11, 12, 14, 15, 16				
-8									WASHER, Panel Attaching Washer
	05125754AA	10	2, 6	L	11, 12, 14, 15, 16				
		10	3, 7	L	12, 15, 16				

SPRINTER (VA)

SERIES	LINE	BODY	ENGINE	TRANSMISSION
L = LOWLINE	3 = HD DODGE 2WD 8 = HD DODGE 4WD 6 = Lt. Duty DODGE 4WD 2 = Med. Duty DODGE 2WD 7 = Med. Duty DODGE 4WD 4 = TRUCK	12 = Van 140" 51 = Wagon 118" 52 = Wagon 140" 14 = Van 118" 15 = Van 140" 16 = Van 158" 54 = Wagon 118" 55 = Wagon 140" 56 = Wagon 158" 01 = Chassis Forward Control 118" 02 = Chassis Forward Control 140" 06 = Front Section 158" 11 = Van 118"	EX8 = Engine - 2.7L I5 Mercedes-Benz TD	DGJ = Transmission - 5-Spd Auto, MB

AR = use ase required - = Non illustrated part

Inner Panels
Figure IVA-225



ITEM	PART NUMBER	QTY	LINE	SERIES	BODY	ENGINE	TRANS	TRIM	DESCRIPTION
1	05123228AA	1	2, 6	L	11, 12, 14, 15, 16				PANEL, Cargo compartment
		1	2, 6	L	51, 52, 54, 55, 56				
		1	3, 7	L	12, 15, 16				
2	05123231AA	1	2, 6	L	11, 14				PANEL, Cargo compartment Left
		1	2, 6	L	51, 54				Left
	05123233AA	1	2, 6	L	11, 14				Right
		1	2, 6	L	51, 54				Right
3	05123234AA	1	2, 6	L	12, 15				PANEL, Cargo compartment 140 Inch Wheelbase, Left
		1	2, 6	L	52, 55				140 Inch Wheelbase, Left
		1	3, 7	L	12, 15				140 Inch Wheelbase, Left
	05123236AA	1	2, 6	L	12, 15				140 Inch Wheelbase, Right
		1	2, 6	L	52, 55				140 Inch Wheelbase, Right
		1	3, 7	L	12, 15				Right
4	05103553AA	9	2, 6	L	11, 12, 14, 15, 16				PIN, Push
		9	2, 6	L	51, 52, 54, 55, 56				
		9	3, 7	L	12, 15, 16				
5	1AS83JB5AA	2	2, 6	L	11, 12, 14, 15, 16				EXHAUSTER, Quarter Panel
		2	2, 6	L	51, 52, 54, 55, 56				
		2	3, 7	L	12, 15, 16				
6	05123240AA	1	3, 7	L	16				PANEL, Cargo compartment 158 Inch Wheelbase, Right Front

SPRINTER (VA)

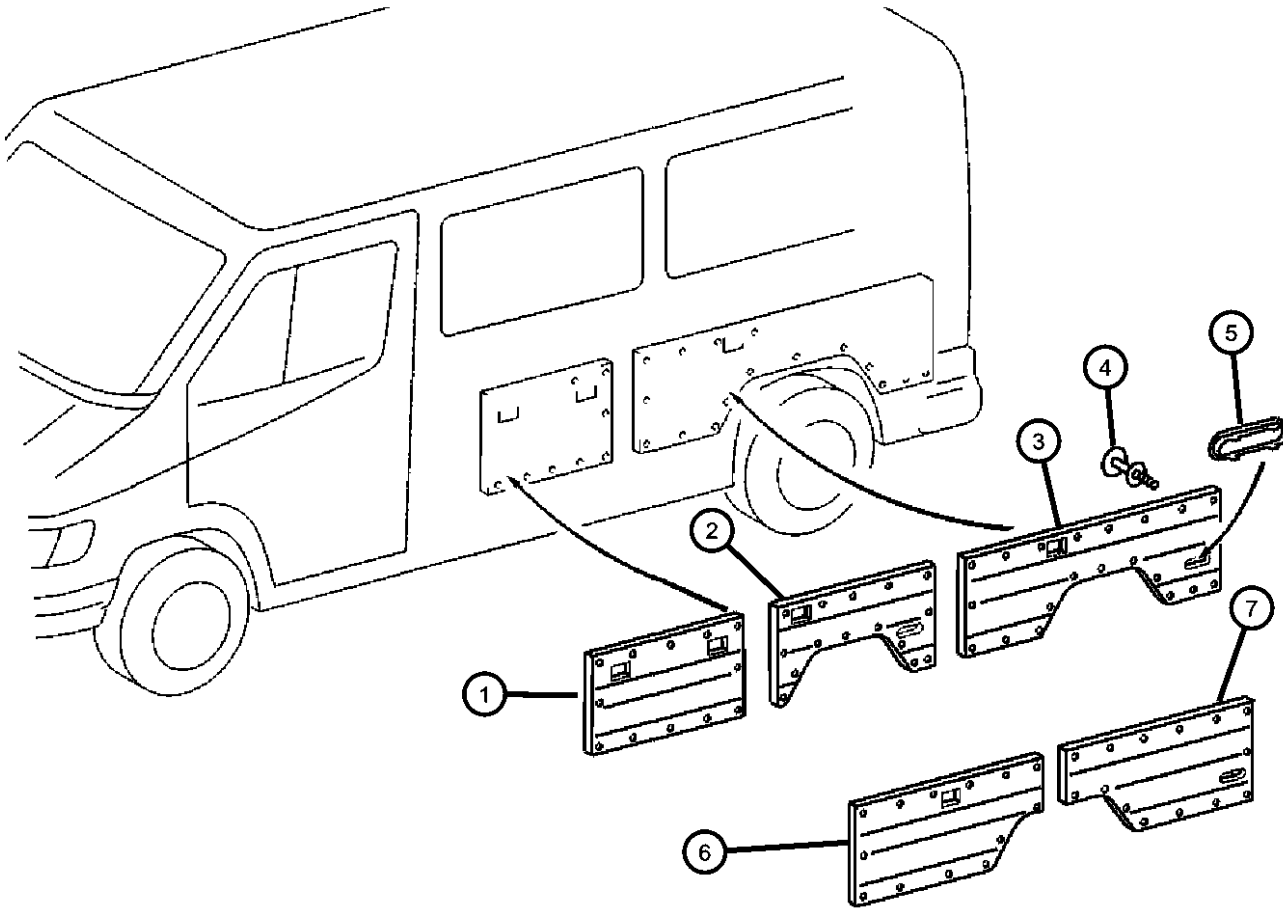
SERIES	LINE	BODY	ENGINE	TRANSMISSION
L = LOWLINE	3 = HD DODGE 2WD 8 = HD DODGE 4WD 6 = Lt. Duty DODGE 4WD 2 = Med. Duty DODGE 2WD 7 = Med. Duty DODGE 4WD 4 = TRUCK	12 = Van 140" 51 = Wagon 118" 52 = Wagon 140" 14 = Van 118" 15 = Van 140" 16 = Van 158" 54 = Wagon 118" 55 = Wagon 140" 56 = Wagon 158" 01 = Chassis Forward Control 118" 02 = Chassis Forward Control 140" 06 = Front Section 158" 11 = Van 118"	EX8 = Engine - 2.7L I5 Mercedes-Benz TD	DGJ = Transmission - 5-Spd Auto, MB

AR = use ase required - = Non illustrated part

2005 VA

Inner Panels
Figure IVA-225

ITEM	PART NUMBER	QTY	LINE	SERIES	BODY	ENGINE	TRANS	TRIM	DESCRIPTION
	05123238AA	1	2, 6	L	16				158 Inch Wheelbase, Left Front
		1	2, 6	L	56				158 Inch Wheelbase, Left Front
		1	3, 7	L	16				158 Inch Wheelbase, Left Front
		1	2, 6	L	16				158 Inch Wheelbase, Right Front
		1	2, 6	L	56				158 Inch Wheelbase, Right Front
7									PANEL, Cargo compartment
	05123242AA	1	2, 6	L	11, 12, 14, 15, 16				158 Inch Wheelbase, Left Front
		1	2, 6	L	51, 52, 54, 55, 56				158 Inch Wheelbase, Left Front
		1	3, 7	L	12, 15, 16				158 Inch Wheelbase, Left Front
	05123243AA	1	2, 6	L	11, 12, 14, 15, 16				158 Inch Wheelbase, Right Front
		1	2, 6	L	51, 52, 54, 55, 56				158 Inch Wheelbase, Right Front
		1	3, 7	L	12, 15, 16				158 Inch Wheelbase, Right Front



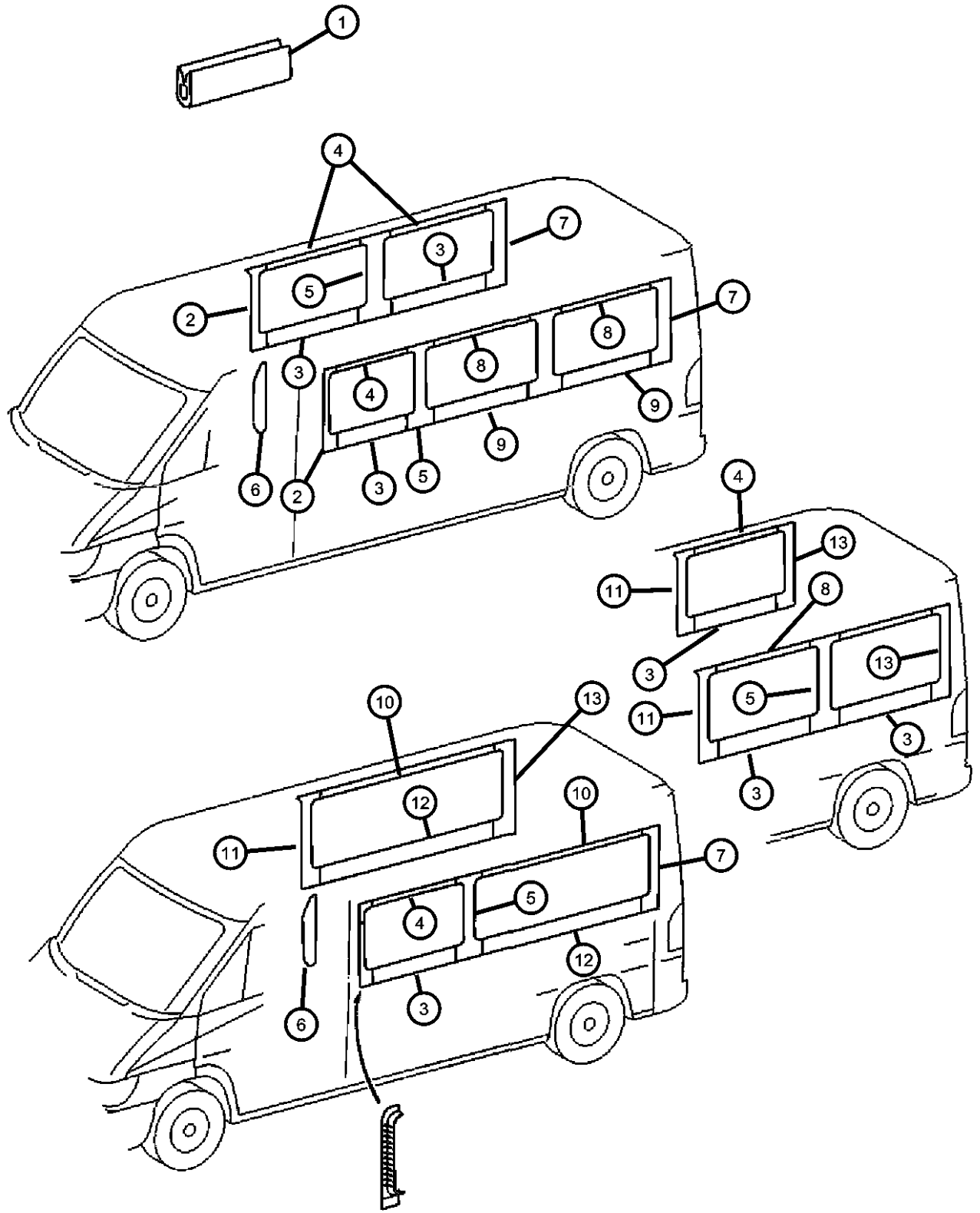
SPRINTER (VA)

SERIES	LINE	BODY	ENGINE	TRANSMISSION
L = LOWLINE	3 = HD DODGE 2WD 8 = HD DODGE 4WD 6 = Lt. Duty DODGE 4WD 2 = Med. Duty DODGE 2WD 7 = Med. Duty DODGE 4WD 4 = TRUCK	12 = Van 140" 51 = Wagon 118" 52 = Wagon 140" 14 = Van 118" 15 = Van 140" 16 = Van 158" 54 = Wagon 118" 55 = Wagon 140" 56 = Wagon 158" 01 = Chassis Forward Control 118" 02 = Chassis Forward Control 140" 06 = Front Section 158" 11 = Van 118"	EX8 = Engine - 2.7L I5 Mercedes-Benz TD	DGJ = Transmission - 5-Spd Auto, MB

AR = use ase required - = Non illustrated part

2005 VA

Inner Paneling Window - Pillar In Cab
Figure IVA-230



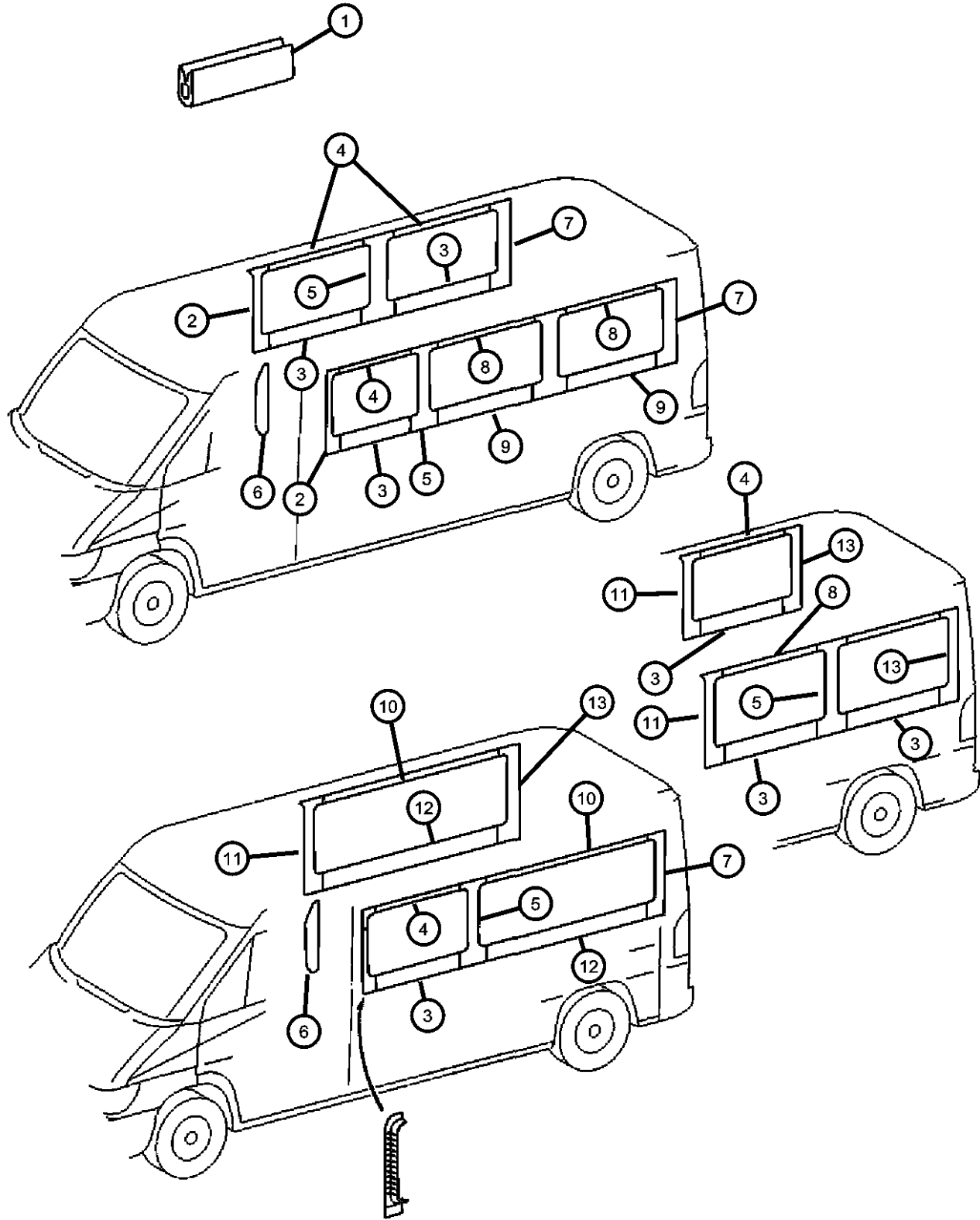
ITEM	PART NUMBER	QTY	LINE	SERIES	BODY	ENGINE	TRANS	TRIM	DESCRIPTION
1	05134108AA	200	2, 6	L	16				WEATHERSTRIP, Glass, 2 Meters Long
2	05123334AA	1	2, 6	L	11, 12, 14, 15, 16				COVER, Rear Window Moulding
3	05123366AA	1	2, 6	L	12, 15				PANEL, Lower Rear
4	05104293AA	2	6, 2	L	11, 12, 14, 15				PANEL, Header Upper, Window
		2	2, 6	L	51, 52, 54, 55				Upper, Window
		2	3, 7	L	12, 15, 16				Upper, Window
5	05123335AA	3	3, 7	L	16				COVER, Rear Window Moulding
		3	2, 6	L	56				
6	05123367AA	1	2, 6	L	11, 12, 14, 15, 16				PANEL, B Pillar Upper Trim Right
		1	2, 6	L	51, 52, 54, 55, 56				Right
		1	3, 7	L	12, 15, 16				Right
	05123368AA	1	2, 6	L	11, 12, 14, 15, 16				PANEL, B Pillar Upper Trim Left
		1	2, 6	L	51, 52, 54, 55, 56				Left
		1	3, 7	L	12, 15, 16				Left
7	05123337AA	1	2, 6	L	15				COVER, Rear Window Moulding
		1	2, 6	L	55				
		1	3, 7	L	15				
8	05123332AA	4	2, 6	L	11, 12, 14, 15, 16				PANEL, Header Garnish (Medium), Upper
		4	2, 6	L	51, 52, 54, 55, 56				Garnish (Medium), Upper

SPRINTER (VA)

SERIES	LINE	BODY	ENGINE	TRANSMISSION
L = LOWLINE	3 = HD DODGE 2WD 8 = HD DODGE 4WD 6 = Lt. Duty DODGE 4WD 2 = Med. Duty DODGE 2WD 7 = Med. Duty DODGE 4WD 4 = TRUCK	12 = Van 140" 51 = Wagon 118" 52 = Wagon 140" 14 = Van 118" 15 = Van 140" 16 = Van 158" 54 = Wagon 118" 55 = Wagon 140" 56 = Wagon 158" 01 = Chassis Forward Control 118" 02 = Chassis Forward Control 140" 06 = Front Section 158" 11 = Van 118"	EX8 = Engine - 2.7L I5 Mercedes-Benz TD	DGJ = Transmission - 5-Spd Auto, MB

AR = use ase required - = Non illustrated part

Inner Paneling Window - Pillar In Cab
Figure IVA-230



ITEM	PART NUMBER	QTY	LINE	SERIES	BODY	ENGINE	TRANS	TRIM	DESCRIPTION
9		4	3, 7	L	12, 15, 16				Garnish (Medium), Upper PANEL, Lower Rear
	05123363AA	4	2, 6	L	11, 12, 14, 15, 16				Garnish (Medium), Lower
		4	2, 6	L	51, 52, 54, 55, 56				Garnish (Medium), Lower
10		4	3, 7	L	12, 15, 16				Garnish (Medium), Lower PANEL, Header
	05123333AA	2	2, 6	L	12, 15				Garnish (Long), Upper
		2	2, 6	L	52, 55				Garnish (Long), Upper
		2	3, 7	L	12, 15				Garnish (Long), Upper
11									COVER, Rear Window Moulding
	05123362AA	1	2, 6	L	11, 12, 14, 15, 16				Vertical Molding, Right
		1	2, 6	L	51, 52, 54, 55, 56				Vertical Molding, Right
		1	3, 7	L	12, 15, 16				Vertical Molding, Right
	05123364AA	1	3, 7	L	12, 15, 16				Vertical Molding, Left
		1	2, 6	L	11, 12, 14, 15, 16				Vertical Molding, Left
		1	2, 6	L	51, 52, 54, 55, 56				Vertical Molding, Left
12									PANEL, Lower Rear
	05123369AA	2	2, 6	L	12, 15				Garnish (Long), Lower
		2	2, 6	L	52, 55				Garnish (Long), Lower
		2	3, 7	L	12, 15				Garnish (Long), Lower
13									COVER, Rear Window Moulding
	05123361AA	1	2, 6	L	15				Right
		1	2, 6	L	55				Right
		1	3, 7	L	15				Right

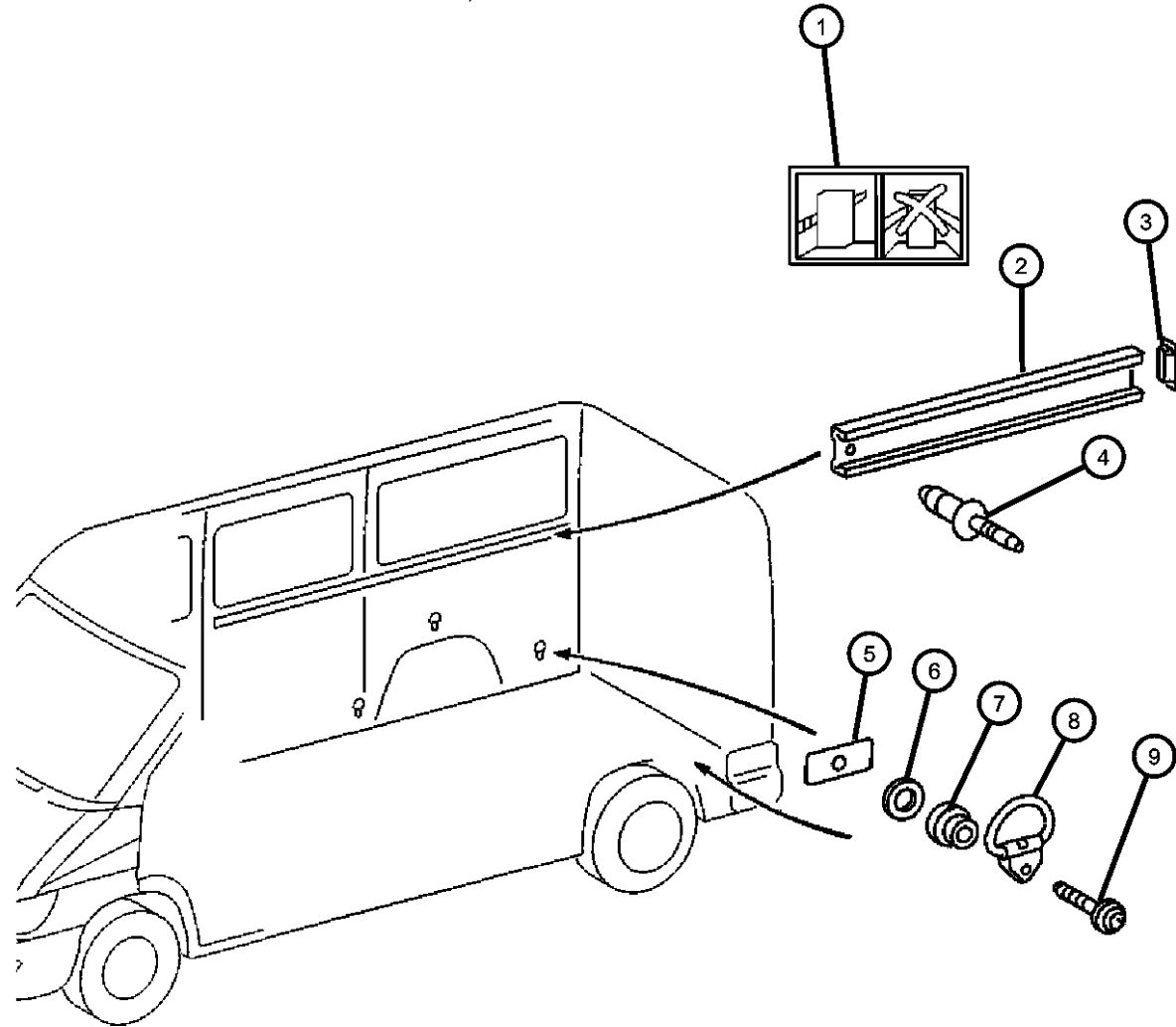
SPRINTER (VA)

SERIES	LINE	BODY	ENGINE	TRANSMISSION
L = LOWLINE	3 = HD DODGE 2WD 8 = HD DODGE 4WD 6 = Lt. Duty DODGE 4WD 2 = Med. Duty DODGE 2WD 7 = Med. Duty DODGE 4WD 4 = TRUCK	12 = Van 140" 51 = Wagon 118" 52 = Wagon 140" 14 = Van 118" 15 = Van 140" 16 = Van 158" 54 = Wagon 118" 55 = Wagon 140" 56 = Wagon 158" 01 = Chassis Forward Control 118" 02 = Chassis Forward Control 140" 06 = Front Section 158" 11 = Van 118"	EX8 = Engine - 2.7L I5 Mercedes-Benz TD	DGJ = Transmission - 5-Spd Auto, MB

AR = use ase required - = Non illustrated part

Cargo Retainers - Without Windows
Figure IVA-235

ITEM	PART NUMBER	QTY	LINE	SERIES	BODY	ENGINE	TRANS	TRIM	DESCRIPTION
1	05124356AA	1	2, 6	L	12, 15				LABEL Cargo Tie Down
		1	3, 7	L	12, 15, 16				Cargo Tie Down
2	05121437AA	1	2, 6	L	11, 12, 14, 15				RAIL Right & Left
		2	2, 6	L	16				Right & Left
		1	3, 7	L	12, 15				Right & Left
		2	3, 7	L	16				Right & Left
3	05121423AA	4	2, 6	L	11, 12, 14, 15, 16				END CAP, Side Rail Right & Left
		4	3, 7	L	12, 15, 16				Right & Left
4	05125821AA	16	2, 6	L	12, 15				RIVET
		16	3, 7	L	12, 15				
5	05103926AA	4	2, 6	L	11, 12, 14, 15				NUT
		4	3, 7	L	12, 15				
		4	2, 6	L	51, 52, 54, 55				
6	05103726AA	7	2, 6	L	11, 12, 14, 15				WASHER
		8	3, 7	L	12, 15				
		8	2, 6	L	16				
		8	2, 6	L	51, 52, 54, 55, 56				
7	05104544AA	7	2, 6	L	11, 12, 14, 15				BUSHING

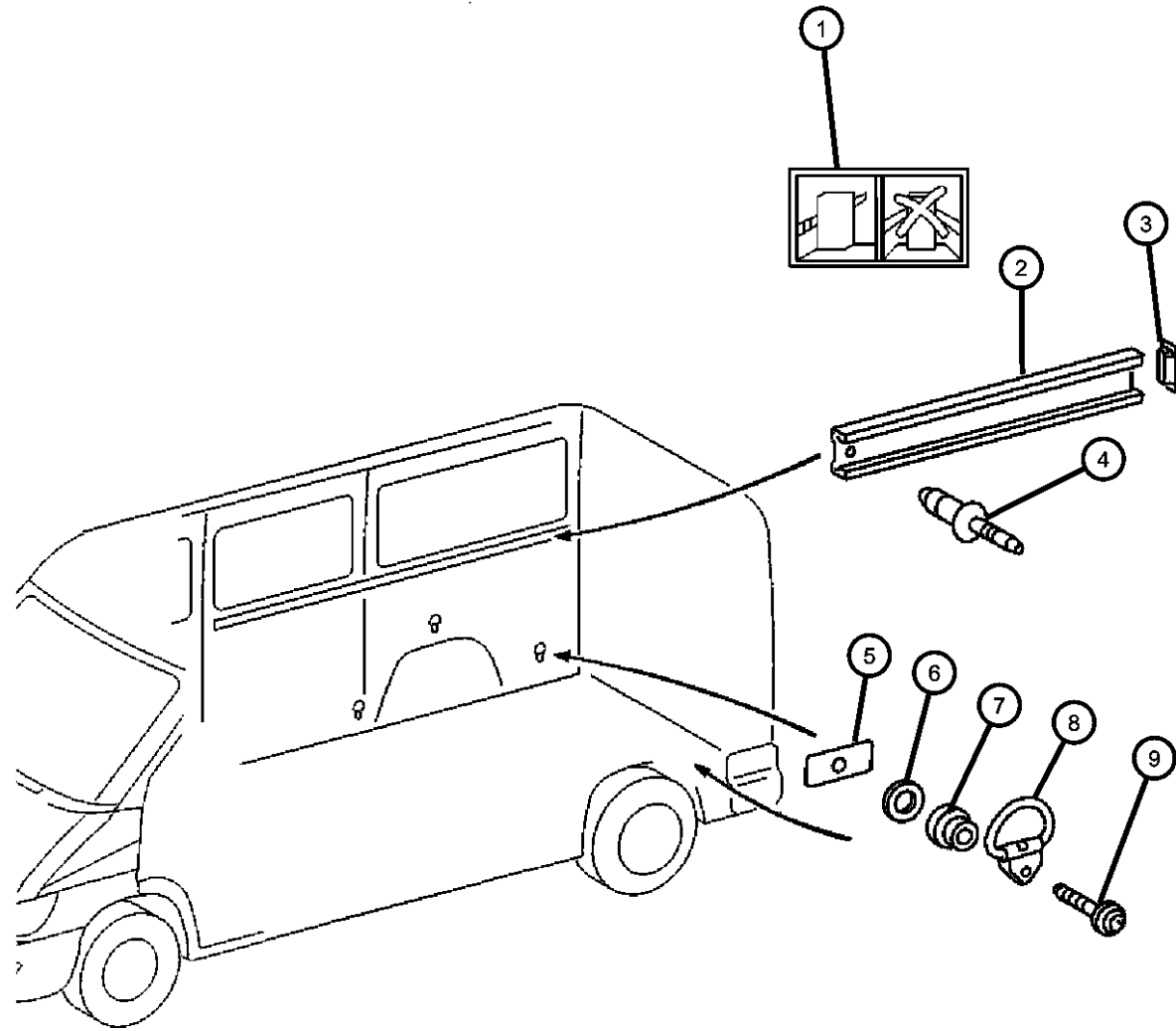


SPRINTER (VA)

SERIES	LINE	BODY	ENGINE	TRANSMISSION
L = LOWLINE	3 = HD DODGE 2WD 8 = HD DODGE 4WD 6 = Lt. Duty DODGE 4WD 2 = Med. Duty DODGE 2WD 7 = Med. Duty DODGE 4WD 4 = TRUCK	12 = Van 140" 51 = Wagon 118" 52 = Wagon 140" 14 = Van 118" 15 = Van 140" 16 = Van 158" 54 = Wagon 118" 55 = Wagon 140" 56 = Wagon 158" 01 = Chassis Forward Control 118" 02 = Chassis Forward Control 140" 06 = Front Section 158" 11 = Van 118"	EX8 = Engine - 2.7L I5 Mercedes-Benz TD	DGJ = Transmission - 5-Spd Auto, MB

AR = use ase required - = Non illustrated part

Cargo Retainers - Without Windows
Figure IVA-235



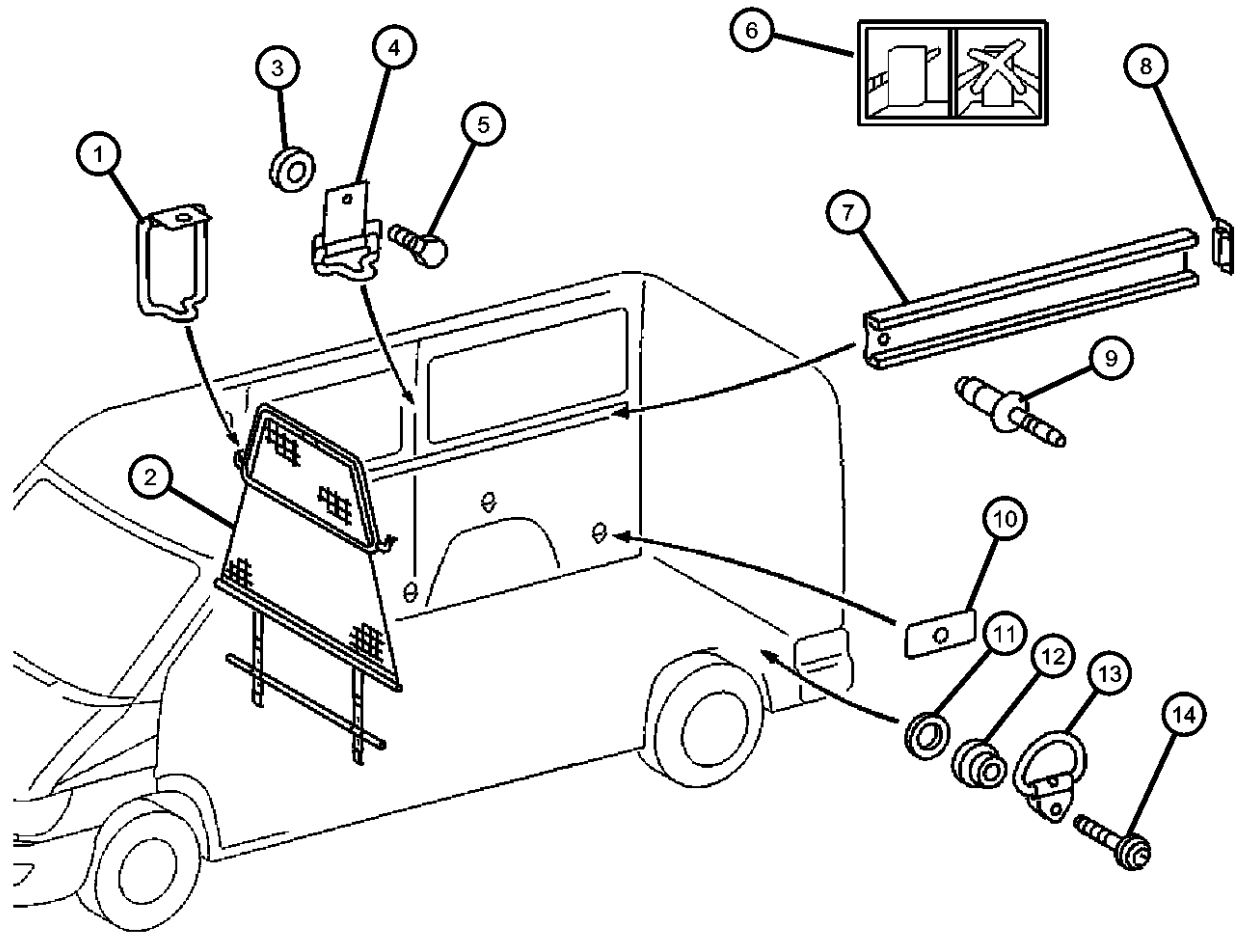
ITEM	PART NUMBER	QTY	LINE	SERIES	BODY	ENGINE	TRANS	TRIM	DESCRIPTION
		8	2, 6	L	16				
		8	3, 7	L	12, 15				
		8	2, 6	L	51, 52, 54, 55, 56				
8	05104500AA	7	2, 6	L	11, 12, 14, 15				RING, RING-RETAINER
		9	2, 6	L	16				
		8	2, 6	L	51, 52, 54, 55, 56				
		8	3, 7	L	12, 15				
9	05103816AA	7	2, 6	L	11, 12, 14, 15				BOLT, Hex Head
		8	2, 6	L	51, 52, 54, 55, 56				
		8	3, 7	L	12, 15				

SPRINTER (VA)

SERIES	LINE	BODY	ENGINE	TRANSMISSION
L = LOWLINE	3 = HD DODGE 2WD 8 = HD DODGE 4WD 6 = Lt. Duty DODGE 4WD 2 = Med. Duty DODGE 2WD 7 = Med. Duty DODGE 4WD 4 = TRUCK	12 = Van 140" 51 = Wagon 118" 52 = Wagon 140" 14 = Van 118" 15 = Van 140" 16 = Van 158" 54 = Wagon 118" 55 = Wagon 140" 56 = Wagon 158" 01 = Chassis Forward Control 118" 02 = Chassis Forward Control 140" 06 = Front Section 158" 11 = Van 118"	EX8 = Engine - 2.7L I5 Mercedes-Benz TD	DGJ = Transmission - 5-Spd Auto, MB

AR = use ase required - = Non illustrated part

Cargo Retainers - With Windows
Figure IVA-240



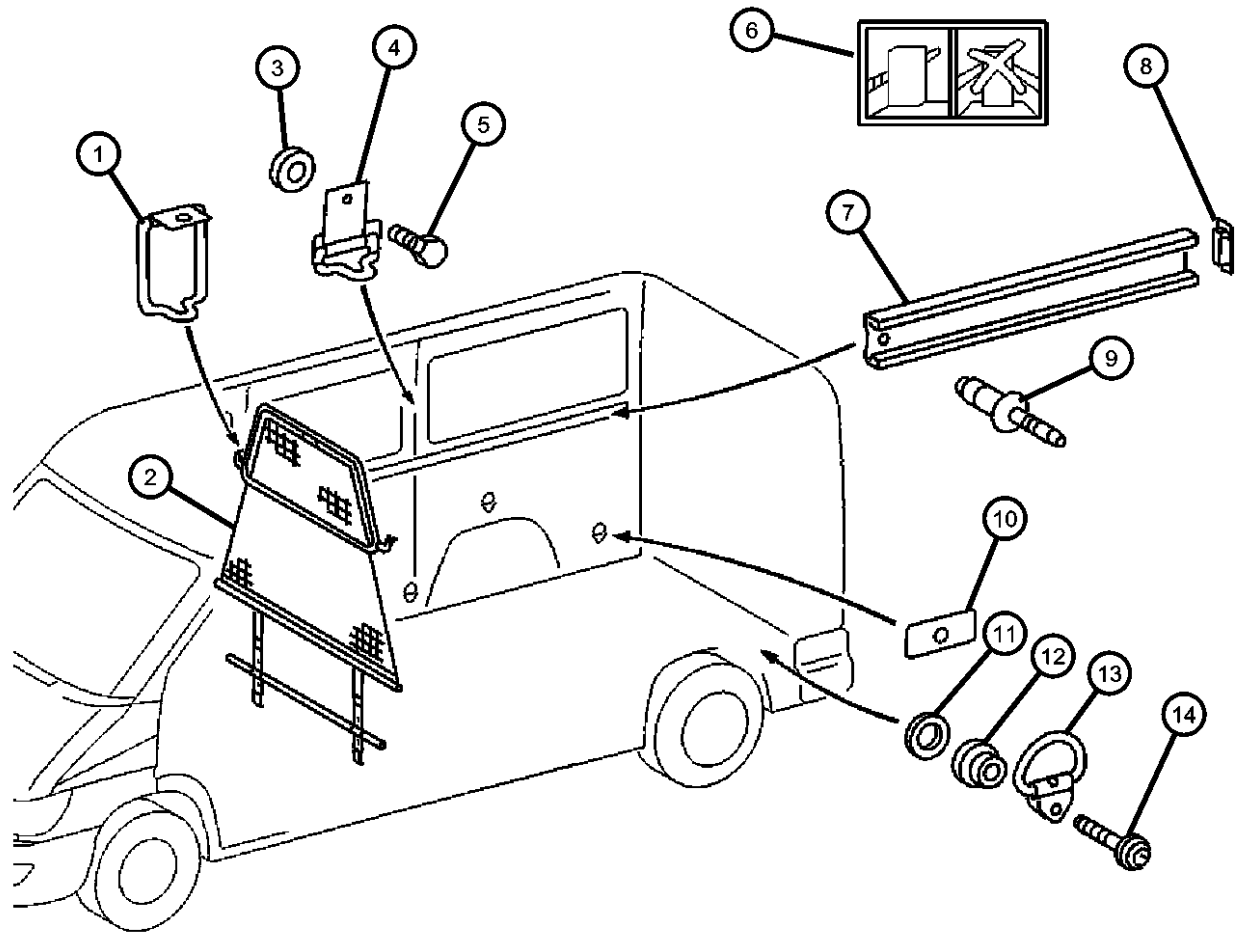
ITEM	PART NUMBER	QTY	LINE	SERIES	BODY	ENGINE	TRANS	TRIM	DESCRIPTION
1		8							BRACKET, (NOT SERVICED)
2		8							GRILLE, Texture, (NOT SERVICED)
3									WASHER, Flat, M8
	05133977AA	1	2, 6	L	01, 02, 06				
		1	2, 6	L	11, 12, 14, 15, 16				
		1	2, 6	L	51, 52, 54, 55, 56				
4		1							BRACKET, (NOT SERVICED)
5									BOLT, Hex Head
	05126227AA	6	2, 6	L	01, 02, 06				
		6	2, 6	L	11, 12, 14, 15, 16				
		6	2, 6	L	51, 52, 54, 55, 56				
6	05124356AA	1	2, 6	L	12, 15				LABEL, Cargo Tie Down
7									RAIL
	05121437AA	1	2, 6	L	12, 15				Cargo Retaning
		1	2, 6	L	11, 14, 16				Cargo Retaning
		1	3, 7	L	12, 15				Cargo Retaning
		1	3, 7	L	16				Cargo Retaning
8									END CAP, Side Rail
	05121423AA	4	2, 6	L	11, 12, 14, 15, 16				Right & Left
		4	3, 7	L	12, 15, 16				Right & Left
9									RIVET
	05125821AA	13	2, 6	L	11, 14				
		16	2, 6	L	12, 15				
		22	2, 6	L	16				
		16	3, 7	L	12, 15				
		22	3, 7	L	16				

SPRINTER (VA)

SERIES	LINE	BODY	ENGINE	TRANSMISSION
L = LOWLINE	3 = HD DODGE 2WD 8 = HD DODGE 4WD 6 = Lt. Duty DODGE 4WD 2 = Med. Duty DODGE 2WD 7 = Med. Duty DODGE 4WD 4 = TRUCK	12 = Van 140" 51 = Wagon 118" 52 = Wagon 140" 14 = Van 118" 15 = Van 140" 16 = Van 158" 54 = Wagon 118" 55 = Wagon 140" 56 = Wagon 158" 01 = Chassis Forward Control 118" 02 = Chassis Forward Control 140" 06 = Front Section 158" 11 = Van 118"	EX8 = Engine - 2.7L I5 Mercedes-Benz TD	DGJ = Transmission - 5-Spd Auto, MB

AR = use ase required - = Non illustrated part

Cargo Retainers - With Windows
Figure IVA-240



ITEM	PART NUMBER	QTY	LINE	SERIES	BODY	ENGINE	TRANS	TRIM	DESCRIPTION
10	05103926AA	4	2, 6	L	11, 12, 14, 15				NUT
		3	2, 6	L	16				
		4	2, 6	L	51, 52, 54, 55				
		3	2, 6	L	56				
		2	3, 7	L	12, 15, 16				
11	05103726AA	7	2, 6	L	11, 12, 14, 15				WASHER
		8	2, 6	L	51, 52, 54, 55, 56				
		7	3, 7	L	12, 15				
		10	3, 7	L	16				
12	05104544AA	7	2, 6	L	11, 12, 14, 15				BUSHING
		8	2, 6	L	51, 52, 54, 55, 56				
		7	3, 7	L	12, 15				
13	05104500AA	7	2, 6	L	11, 12, 14, 15				RING, RING-RETAINER
		8	2, 6	L	51, 52, 54, 55, 56				
		8	3, 7	L	12, 15				
		9	3, 7	L	16				
14	05103816AA	7	2, 6	L	11, 12, 14, 15				BOLT, Hex Head
		8	2, 6	L	16				

SPRINTER (VA)

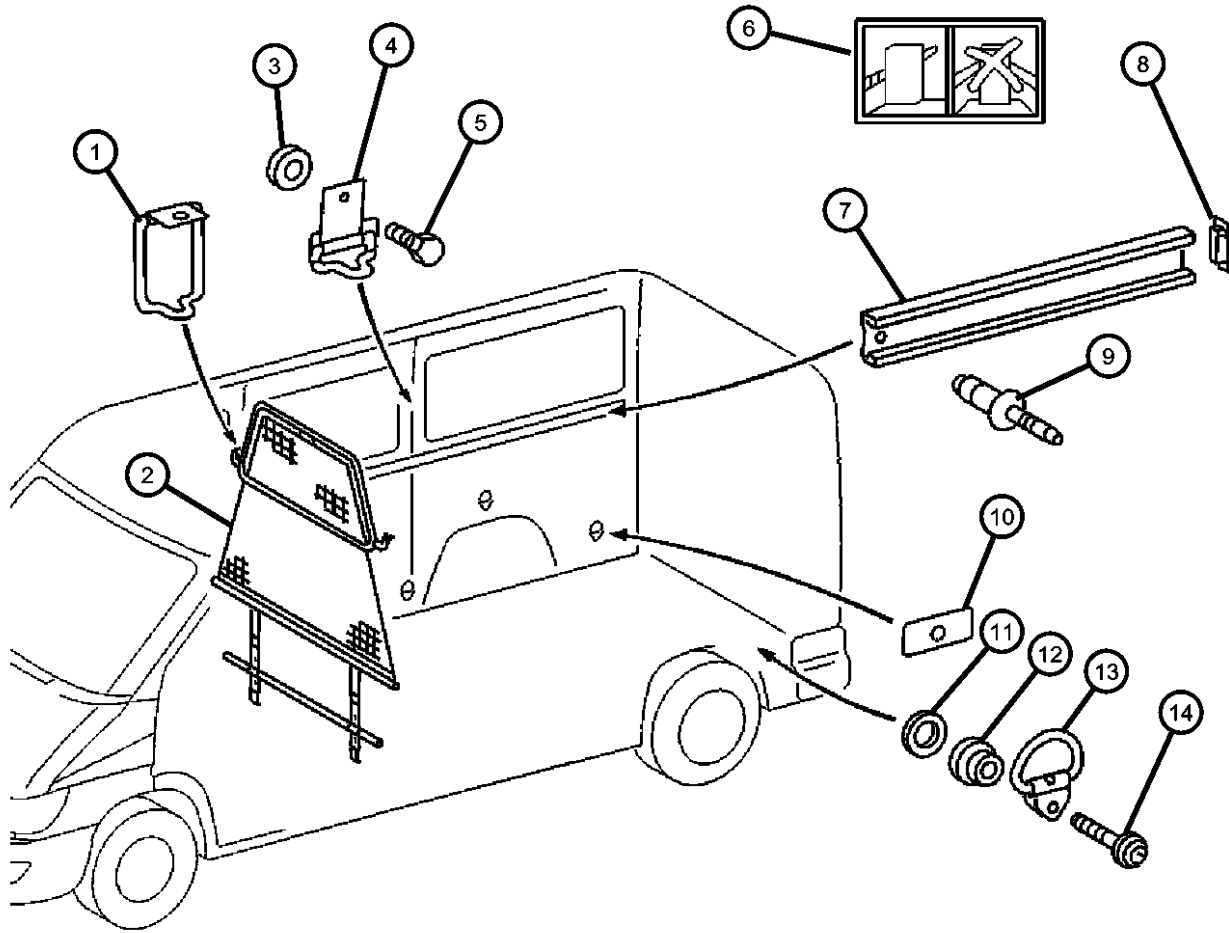
SERIES	LINE	BODY	ENGINE	TRANSMISSION
L = LOWLINE	3 = HD DODGE 2WD 8 = HD DODGE 4WD 6 = Lt. Duty DODGE 4WD 2 = Med. Duty DODGE 2WD 7 = Med. Duty DODGE 4WD 4 = TRUCK	12 = Van 140" 51 = Wagon 118" 52 = Wagon 140" 14 = Van 118" 15 = Van 140" 16 = Van 158" 54 = Wagon 118" 55 = Wagon 140" 56 = Wagon 158" 01 = Chassis Forward Control 118" 02 = Chassis Forward Control 140" 06 = Front Section 158" 11 = Van 118"	EX8 = Engine - 2.7L I5 Mercedes-Benz TD	DGJ = Transmission - 5-Spd Auto, MB

AR = use ase required - = Non illustrated part

2005 VA

Cargo Retainers - With Windows
Figure IVA-240

ITEM	PART NUMBER	QTY	LINE	SERIES	BODY	ENGINE	TRANS	TRIM	DESCRIPTION
		8	2, 6	L	51, 52, 54, 55, 56				
		8	3, 7	L	12, 15				
		9	3, 7	L	16				
-15									PARTITION, Cargo
	05104317AA	1	2, 6	L	11, 12, 14, 15, 16				Left
		1	3, 7	L	12, 15, 16				Left
	05104318AA	1	2, 6	L	11, 12, 14, 15, 16				Right
		1	3, 7	L	12, 15, 16				Right



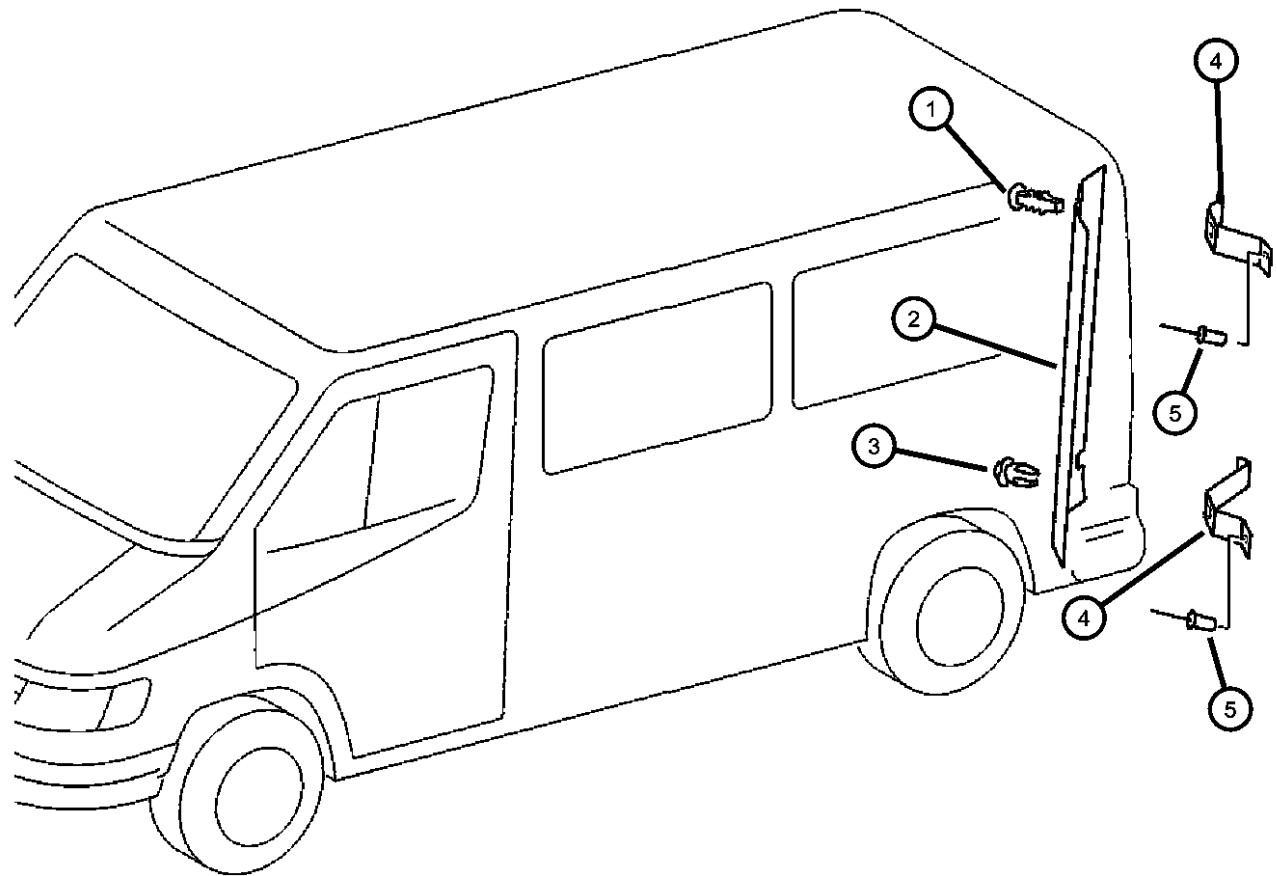
SPRINTER (VA)

SERIES	LINE	BODY	ENGINE	TRANSMISSION
L = LOWLINE	3 = HD DODGE 2WD 8 = HD DODGE 4WD 6 = Lt. Duty DODGE 4WD 2 = Med. Duty DODGE 2WD 7 = Med. Duty DODGE 4WD 4 = TRUCK	12 = Van 140" 51 = Wagon 118" 52 = Wagon 140" 14 = Van 118" 15 = Van 140" 16 = Van 158" 54 = Wagon 118" 55 = Wagon 140" 56 = Wagon 158" 01 = Chassis Forward Control 118" 02 = Chassis Forward Control 140" 06 = Front Section 158" 11 = Van 118"	EX8 = Engine - 2.7L I5 Mercedes-Benz TD	DGJ = Transmission - 5-Spd Auto, MB

AR = use ase required - = Non illustrated part

2005 VA

Rear Pillar Inner Panel
Figure IVA-245

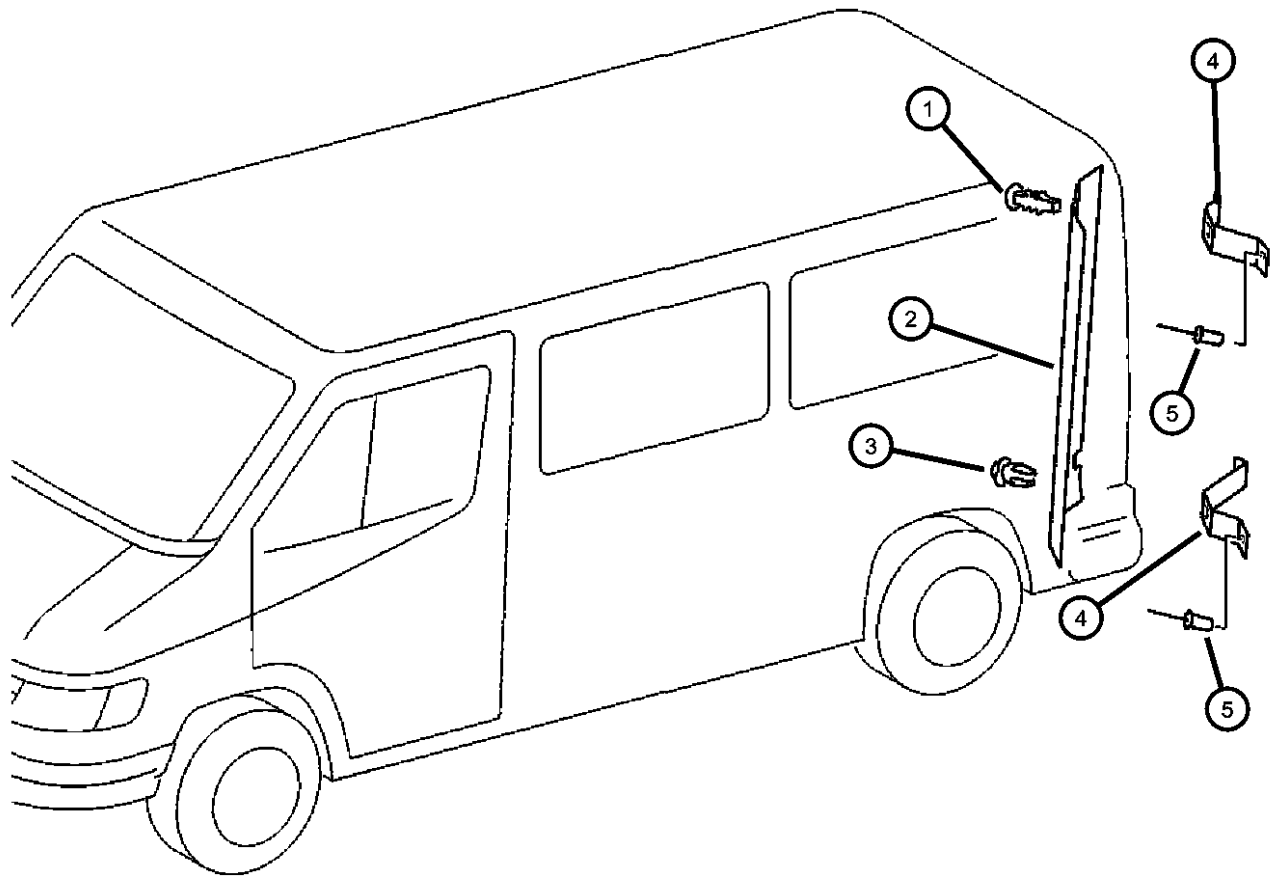


ITEM	PART NUMBER	QTY	LINE	SERIES	BODY	ENGINE	TRANS	TRIM	DESCRIPTION
1									PIN, Push
	05103814AA	3	2, 6	L	11, 12, 14, 15, 16				
		3	2, 6	L	51, 52, 54, 55, 56				
		3	3, 7	L	12, 15, 16				
2									PANEL, D Pillar Trim
	05104291AA	1	2, 6	L	11, 12, 14, 15, 16				With Grab Handles and Without Load Rings, Left
		1	2, 6	L	51, 52, 54, 55, 56				With Grab Handles and Without Load Rings, Left
		1	3, 7	L	12, 15, 16				With Grab Handles and Without Load Rings, Left
	05104292AA	1	2, 6	L	11, 12, 14, 15, 16				With Grab Handles and Without Load Rings, Right
		1	2, 6	L	51, 52, 54, 55, 56				With Grab Handles and Without Load Rings, Right
		1	3, 7	L	12, 15, 16				With Grab Handles and Without Load Rings, Right
	05123318AA	1	2, 6	L	11, 12, 14, 15, 16				Without Grab Handles and Load Rings, Left Rear
		1	2, 6	L	51, 52, 54, 55, 56				Without Grab Handles and Load Rings, Left Rear
		1	3, 7	L	12, 15, 16				Without Grab Handles and Load Rings, Left Rear
	05123320AA	1	2, 6	L	11, 12, 14, 15, 16				Without Grab Handles and Load Rings, Right Rear
		1	2, 6	L	51, 52, 54, 55, 56				Without Grab Handles and Load Rings, Right Rear
		1	3, 7	L	12, 15, 16				Without Grab Handles and Load Rings, Right Rear
	05123324AA	1	2, 6	L	11, 12, 14, 15, 16				With Load Rings Without Grab Handles, Left
		1	2, 6	L	51, 52, 54, 55, 56				With Load Rings Without Grab Handles, Left
		1	3, 7	L	12, 15, 16				With Load Rings Without Grab Handles, Left
	05123326AA	1	2, 6	L	11, 12, 14, 15, 16				With Load Rings Without Grab Handles, Right

SPRINTER (VA)				
SERIES	LINE	BODY	ENGINE	TRANSMISSION
L = LOWLINE	3 = HD DODGE 2WD 8 = HD DODGE 4WD 6 = Lt. Duty DODGE 4WD 2 = Med. Duty DODGE 2WD 7 = Med. Duty DODGE 4WD 4 = TRUCK	12 = Van 140" 51 = Wagon 118" 52 = Wagon 140" 14 = Van 118" 15 = Van 140" 16 = Van 158" 54 = Wagon 118" 55 = Wagon 140" 56 = Wagon 158" 01 = Chassis Forward Control 118" 02 = Chassis Forward Control 140" 06 = Front Section 158" 11 = Van 118"	EX8 = Engine - 2.7L I5 Mercedes-Benz TD	DGJ = Transmission - 5-Spd Auto, MB

AR = use ase required - = Non illustrated part

Rear Pillar Inner Panel
Figure IVA-245



ITEM	PART NUMBER	QTY	LINE	SERIES	BODY	ENGINE	TRANS	TRIM	DESCRIPTION
		1	2, 6	L	51, 52, 54, 55, 56				With Load Rings Without Grab Handles, Right
		1	3, 7	L	12, 15, 16				With Load Rings Without Grab Handles, Right
	05123328AA	1	2, 6	L	11, 12, 14, 15, 16				With Grab Handles and Load Rings, Left
		1	2, 6	L	51, 52, 54, 55, 56				With Grab Handles and Load Rings, Left
		1	3, 7	L	12, 15, 16				With Grab Handles and Load Rings, Left
	05123330AA	1	2, 6	L	11, 12, 14, 15, 16				With Grab Handles and Load Rings, Right
		1	2, 6	L	51, 52, 54, 55, 56				With Grab Handles and Load Rings, Right
		1	3, 7	L	12, 15, 16				With Grab Handles and Load Rings, Right
3	05103785AA	3	2, 6	L	11, 12, 14, 15, 16				PIN, Push
		3	2, 6	L	51, 52, 54, 55, 56				
		3	3, 7	L	12, 15, 16				
4	05104280AA	2	2, 6	L	11, 12, 14, 15, 16				BRACKET, Trim Panel
		2	2, 6	L	51, 52, 54, 55, 56				Left, D Pillar, Upper
		2	3, 7	L	12, 15, 16				Left, D Pillar, Upper
	05104281AA	1	2, 6	L	11, 12, 14, 15, 16				Right, D Pillar, Upper
		1	2, 6	L	51, 52, 54, 55, 56				Right, D Pillar, Upper
		1	3, 7	L	12, 15, 16				Right, D Pillar, Upper
5	05104624AA	6	2, 6	L	11, 12, 14, 15, 16				RIVET

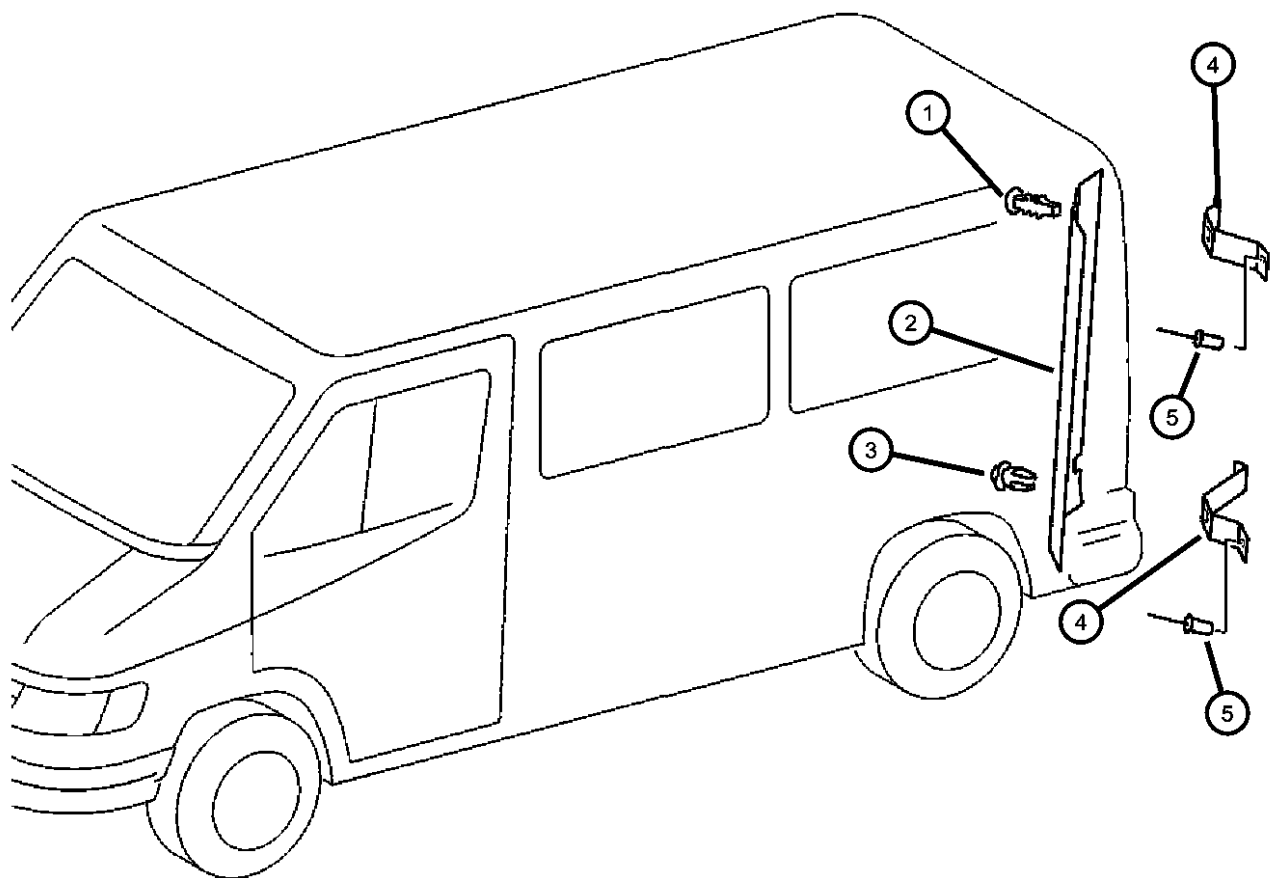
SPRINTER (VA)
 SERIES LINE BODY ENGINE TRANSMISSION
 L = LOWLINE 3 = HD DODGE 2WD 12 = Van 140" EX8 = Engine - 2.7L I5 DGJ = Transmission - 5-Spd Auto, MB
 8 = HD DODGE 4WD 51 = Wagon 118" Mercedes-Benz TD
 6 = Lt. Duty DODGE 4WD 52 = Wagon 140"
 2 = Med. Duty DODGE 2WD 14 = Van 118"
 7 = Med. Duty DODGE 4WD 15 = Van 140"
 4 = TRUCK 16 = Van 158"
 54 = Wagon 118"
 55 = Wagon 140"
 56 = Wagon 158"
 01 = Chassis Forward Control 118"
 02 = Chassis Forward Control 140"
 06 = Front Section 158"
 11 = Van 118"

AR = use ase required - = Non illustrated part

Rear Pillar Inner Panel
Figure IVA-245

ITEM	PART NUMBER	QTY	LINE	SERIES	BODY	ENGINE	TRANS	TRIM	DESCRIPTION
------	-------------	-----	------	--------	------	--------	-------	------	-------------

6	2, 6	L	51, 52, 54, 55, 56
6	3, 7	L	12, 15, 16



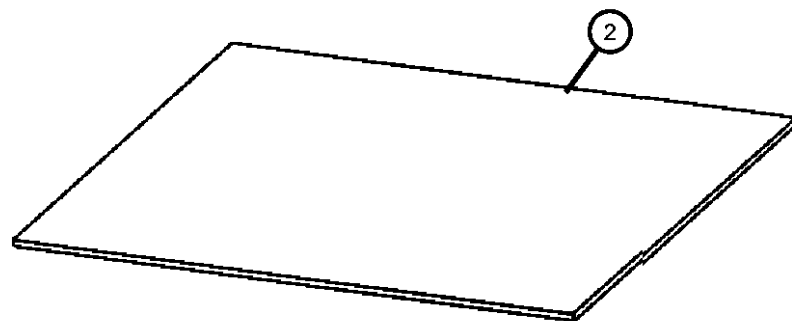
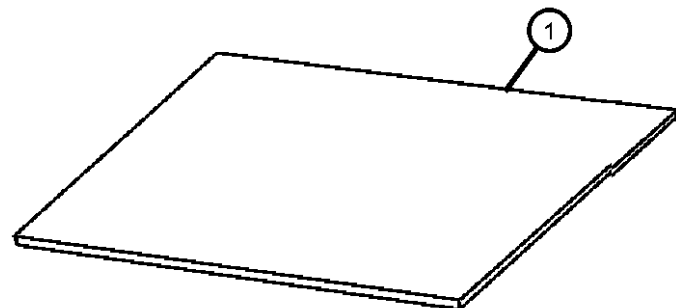
SPRINTER (VA)

SERIES	LINE	BODY	ENGINE	TRANSMISSION
L = LOWLINE	3 = HD DODGE 2WD	12 = Van 140"	EX8 = Engine - 2.7L I5	DGJ = Transmission - 5-Spd Auto, MB
	8 = HD DODGE 4WD	51 = Wagon 118"	Mercedes-Benz TD	
	6 = Lt. Duty DODGE 4WD	52 = Wagon 140"		
	2 = Med. Duty DODGE 2WD	14 = Van 118"		
	7 = Med. Duty DODGE 4WD	15 = Van 140"		
	4 = TRUCK	16 = Van 158"		
		54 = Wagon 118"		
		55 = Wagon 140"		
		56 = Wagon 158"		
		01 = Chassis Forward Control		
		118"		
		02 = Chassis Forward Control		
		140"		
		06 = Front Section 158"		
		11 = Van 118"		

AR = use ase required - = Non illustrated part

**Cowl Panel - Silencer
Figure IVA-250**

ITEM	PART NUMBER	QTY	LINE	SERIES	BODY	ENGINE	TRANS	TRIM	DESCRIPTION
1	05133640AA	1	3, 7	L	02, 06				SILENCER, Cowl Side Left Front
		1	3, 7	L	12, 15, 16				Left Front
	05133641AA	1	3, 7	L	02, 06				Right Front
		1	3, 7	L	12, 15, 16				Right Front
2	05133642AA	1	3, 7	L	02, 06				SILENCER, Cowl Side Left Rear
		1	3, 7	L	12, 15, 16				Left Rear
	05133643AA	1	3, 7	L	02, 06				Right Rear
		1	3, 7	L	12, 15, 16				Right Rear

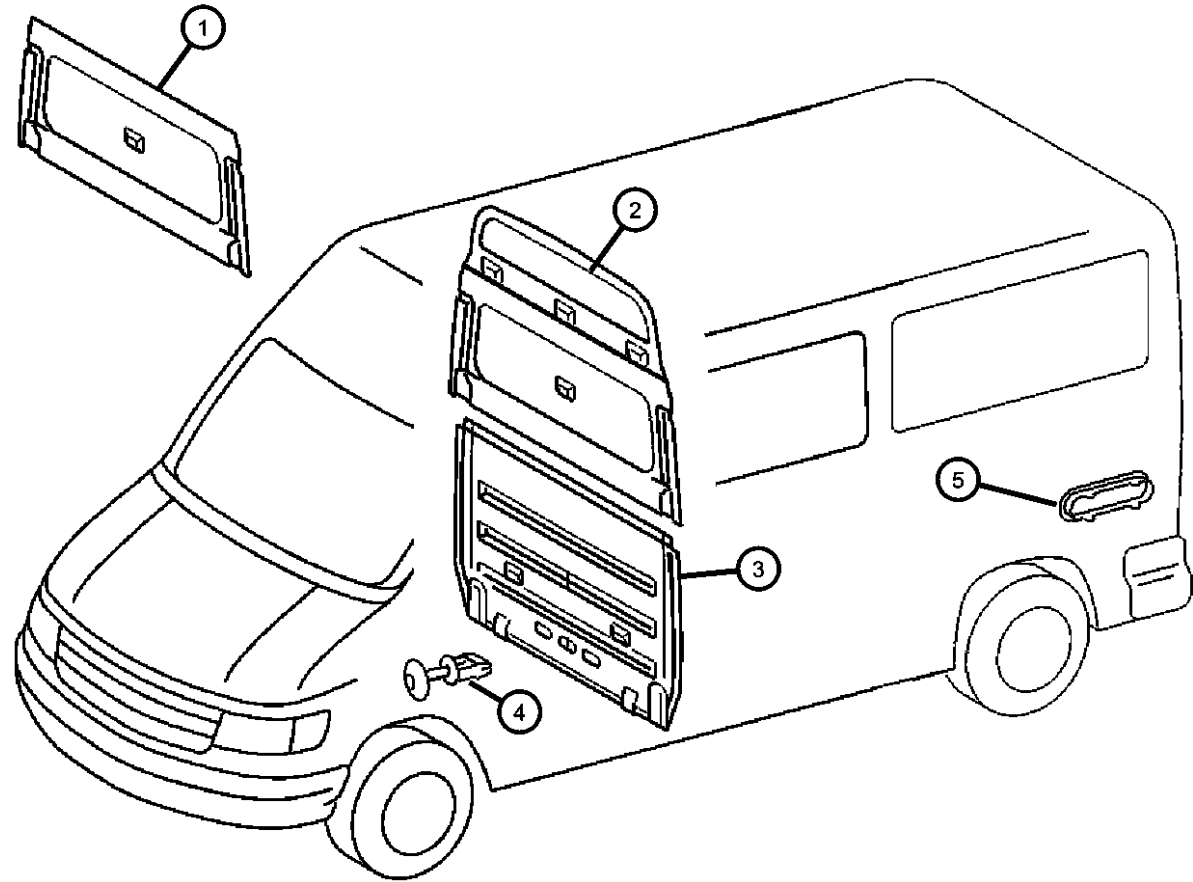


SPRINTER (VA)

SERIES	LINE	BODY	ENGINE	TRANSMISSION
L = LOWLINE	3 = HD DODGE 2WD 8 = HD DODGE 4WD 6 = Lt. Duty DODGE 4WD 2 = Med. Duty DODGE 2WD 7 = Med. Duty DODGE 4WD 4 = TRUCK	12 = Van 140" 51 = Wagon 118" 52 = Wagon 140" 14 = Van 118" 15 = Van 140" 16 = Van 158" 54 = Wagon 118" 55 = Wagon 140" 56 = Wagon 158" 01 = Chassis Forward Control 118" 02 = Chassis Forward Control 140" 06 = Front Section 158" 11 = Van 118"	EX8 = Engine - 2.7L I5 Mercedes-Benz TD	DGJ = Transmission - 5-Spd Auto, MB

AR = use ase required - = Non illustrated part

Partition Panel
Figure IVA-255



ITEM	PART NUMBER	QTY	LINE	SERIES	BODY	ENGINE	TRANS	TRIM	DESCRIPTION
1									PANEL, Quarter
	05122969AA	1	2, 6	L	11, 12				With Window
		1	3, 7	L	12				With Window
	05122967AA	1	2, 6	L	11, 12				Without Window
		1	3, 7	L	12				Without Window
2									PANEL, Quarter
	05122971AA	1	2, 6	L	14, 15, 16				
		1	3, 7	L	15, 16				
3									PANEL, Quarter
	05122962AA	1	2, 6	L	11, 12, 14, 15, 16				
		1	3, 7	L	12, 15, 16				
4									RIVET
	05125808AA	7	2, 6	L	11, 12, 14, 15, 16				
		7	3, 7	L	12, 15, 16				
5									EXHAUSTER, Quarter Panel
	05123426AA	2	2, 6	L	01, 02, 06				
		2	2, 6	L	11, 12, 14, 15, 16				
		2	2, 6	L	51, 52, 54, 55, 56				
		2	3, 7	L	02, 06				
		2	3, 7	L	12, 15, 16				

SPRINTER (VA)

SERIES

L = LOWLINE

LINE

3 = HD DODGE 2WD
8 = HD DODGE 4WD
6 = Lt. Duty DODGE 4WD
2 = Med. Duty DODGE 2WD
7 = Med. Duty DODGE 4WD
4 = TRUCK

BODY

12 = Van 140"
51 = Wagon 118"
52 = Wagon 140"
14 = Van 118"
15 = Van 140"
16 = Van 158"
54 = Wagon 118"
55 = Wagon 140"
56 = Wagon 158"
01 = Chassis Forward Control
118"
02 = Chassis Forward Control
140"
06 = Front Section 158"
11 = Van 118"

ENGINE

EX8 = Engine - 2.7L I5
Mercedes-Benz TD

TRANSMISSION

DGJ = Transmission - 5-Spd Auto, MB

Partition Wall and Sliding Door
Figure IVA-260

WARNING
 RISK OF INJURY
 DO NOT WORK ON THIS PART OF THE VEHICLE

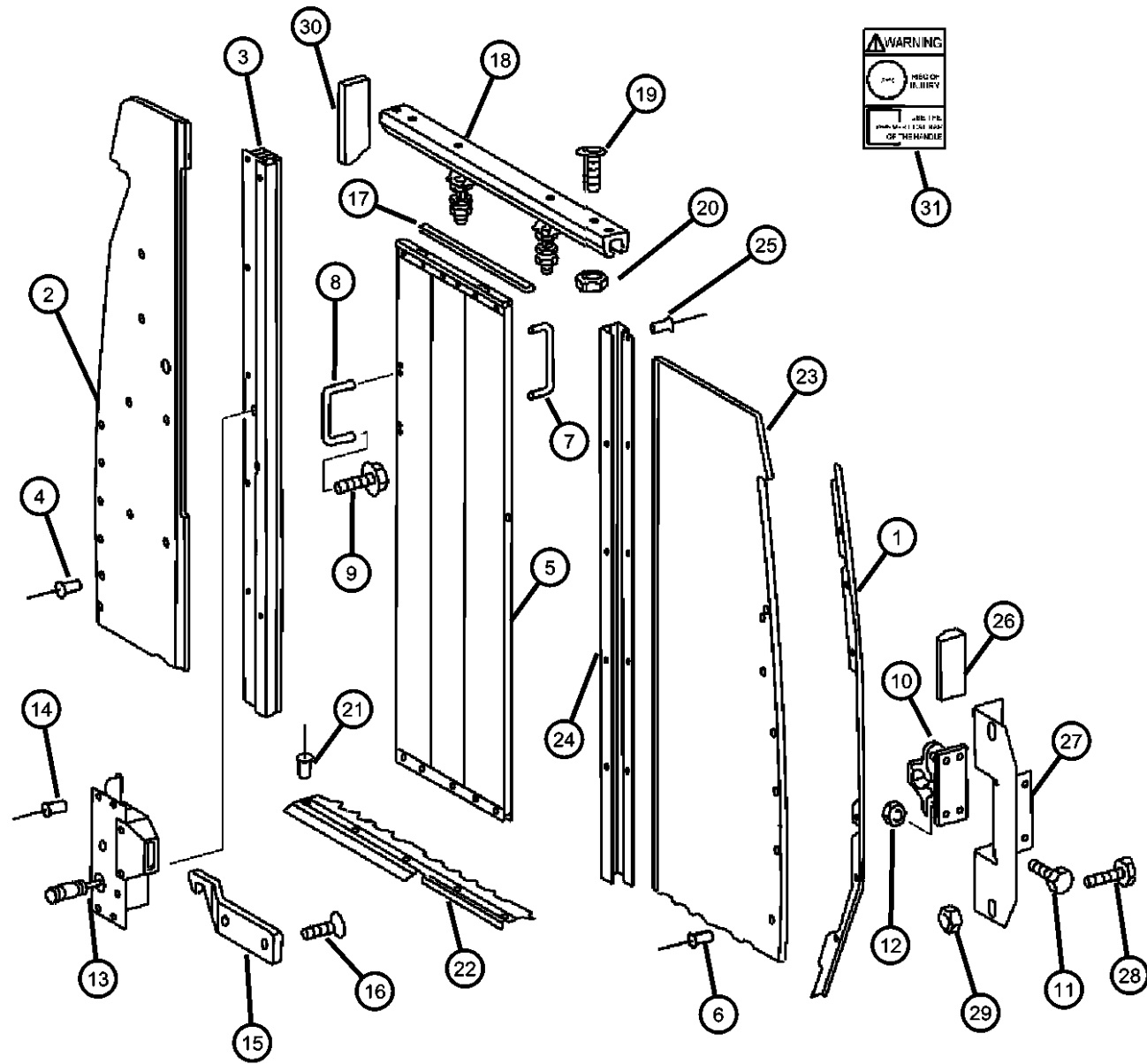
ITEM	PART NUMBER	QTY	LINE	SERIES	BODY	ENGINE	TRANS	TRIM	DESCRIPTION
1									PANEL EXTENSION, Extension, W/O Slide
	05104315AA	1	2, 6	L	14, 15, 16				
		1	3, 7	L	15, 16				
2									PARTITION, Cargo
	05104318AA	1	2, 6	L	11, 12, 14, 15, 16				
		1	3, 7	L	12, 15, 16				
3									RAIL, Cargo Partition, Sliding Door
	05104306AA	1	3, 7	L	12, 15, 16				
		1	2, 6	L	11, 12, 14, 15, 16				
4									RIVET, Blind Bulb
	05125811AA	7	2, 6	L	11, 12, 14, 15, 16				
		7	7, 3	L	12, 15, 16				
5									PANEL, Cargo Compartment, Without Windows
	05123575AA	1	2, 6	L	11, 12, 14, 15, 16				
		1	3, 7	L	12, 15, 16				
6									RIVET, Blind
	05126108AA	5	2, 6	L	11, 12, 14, 15, 16				
		5	3, 7	L	12, 15, 16				
	05126109AA	25	2, 6	L	11, 12, 14, 15, 16				
		25	3, 7	L	12, 15, 16				
7									HANDLE, Cargo Door Interior
	05123662AA	1	2, 6	L	11, 12, 14, 15, 16				
		1	3, 7	L	12, 15, 16				
8									HANDLE, Cargo Door Interior

SPRINTER (VA)

SERIES	LINE	BODY	ENGINE	TRANSMISSION
L = LOWLINE	3 = HD DODGE 2WD 8 = HD DODGE 4WD 6 = Lt. Duty DODGE 4WD 2 = Med. Duty DODGE 2WD 7 = Med. Duty DODGE 4WD 4 = TRUCK	12 = Van 140" 51 = Wagon 118" 52 = Wagon 140" 14 = Van 118" 15 = Van 140" 16 = Van 158" 54 = Wagon 118" 55 = Wagon 140" 56 = Wagon 158" 01 = Chassis Forward Control 118" 02 = Chassis Forward Control 140" 06 = Front Section 158" 11 = Van 118"	EX8 = Engine - 2.7L I5 Mercedes-Benz TD	DGJ = Transmission - 5-Spd Auto, MB

AR = use ase required - = Non illustrated part

Partition Wall and Sliding Door
Figure IVA-260



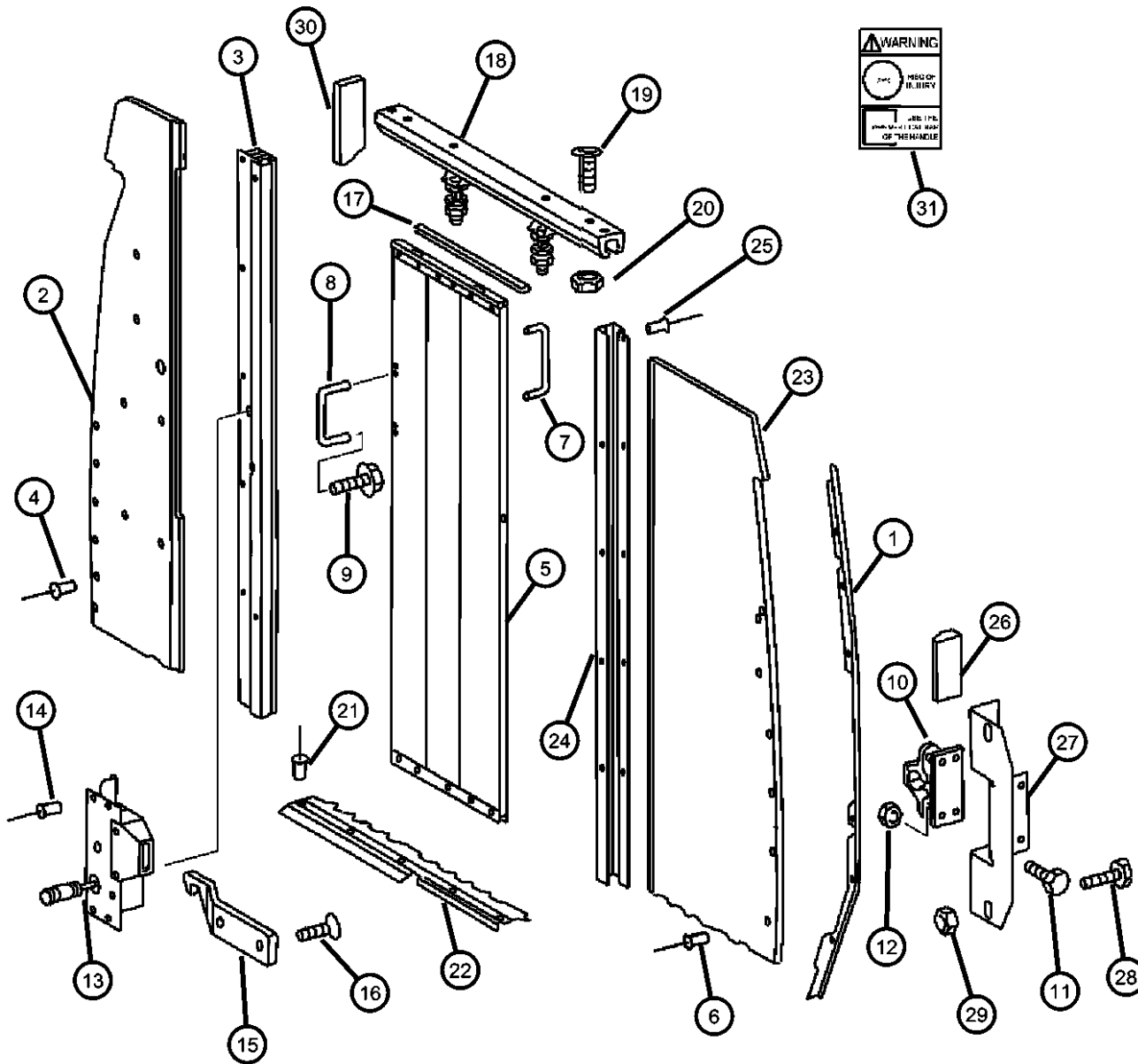
ITEM	PART NUMBER	QTY	LINE	SERIES	BODY	ENGINE	TRANS	TRIM	DESCRIPTION
	05123663AA	1	2, 6	L	11, 12, 14, 15, 16				SCREW
		1	3, 7	L	12, 15, 16				
9	06104119AA	4	2, 6	L	11, 12, 14, 15, 16				ADJUSTER, Cargo Door
		4	3, 7	L	12, 15, 16				
10	05104419AA	1	3, 7	L	12, 15, 16				SCREW
		1	2, 6	L	11, 12, 14, 15, 16				
11	05104652AA	4	2, 6	L	11, 12, 14, 15, 16				NUT
		4	3, 7	L	12, 15, 16				
12	05104660AA	4	2, 6	L	11, 12, 14, 15, 16				LATCH
		2	3, 7	L	02, 06				
		4	3, 7	L	12, 15, 16				
13	05104303AA	1	3, 7	L	12, 15, 16				RIVET
		1	2, 6	L	11, 12, 14, 15, 16				
14	05104623AA	4	2, 6	L	11, 12, 14, 15, 16				CATCH, Sliding Partition Door
		4	3, 7	L	12, 15, 16				
15	05104424AA	1	2, 6	L	11, 12, 14, 15, 16				
		1	3, 7	L	12, 15, 16				

SPRINTER (VA)

SERIES	LINE	BODY	ENGINE	TRANSMISSION
L = LOWLINE	3 = HD DODGE 2WD 8 = HD DODGE 4WD 6 = Lt. Duty DODGE 4WD 2 = Med. Duty DODGE 2WD 7 = Med. Duty DODGE 4WD 4 = TRUCK	12 = Van 140" 51 = Wagon 118" 52 = Wagon 140" 14 = Van 118" 15 = Van 140" 16 = Van 158" 54 = Wagon 118" 55 = Wagon 140" 56 = Wagon 158" 01 = Chassis Forward Control 118" 02 = Chassis Forward Control 140" 06 = Front Section 158" 11 = Van 118"	EX8 = Engine - 2.7L I5 Mercedes-Benz TD	DGJ = Transmission - 5-Spd Auto, MB

AR = use ase required - = Non illustrated part

**Partition Wall and Sliding Door
Figure IVA-260**



ITEM	PART NUMBER	QTY	LINE	SERIES	BODY	ENGINE	TRANS	TRIM	DESCRIPTION
16	06104121AA	4	2, 6	L	01, 02, 06				SCREW, Hex Flange Head
		4	2, 6	L	11, 12, 14, 15, 16				
		4	3, 7	L	02, 06				
17	05103782AA	60	2, 6	L	11, 12, 14, 15, 16				GUARD, Door Edge 3 Meters long
		60	3, 7	L	12, 15, 16				3 Meters long
		100	3, 7	L	02, 06				3 Meters long
18	05123585AA	1	2, 6	L	11, 12, 14, 15, 16				RAIL, Cargo Partition, Sliding Door
		1	3, 7	L	12, 15, 16				
19	05126110AA	1	2, 6	L	11, 12, 14, 15, 16				SCREW, Hex Head
		1	3, 7	L	12, 15, 16				
20	06104714AA	5	2, 6	L	11, 12, 14, 15, 16				NUT
		5	7, 3	L	12, 15, 16				
21	05104623AA	5	2, 6	L	11, 12, 14, 15, 16				RIVET
		5	3, 7	L	12, 15, 16				
22	05104156AA	1	2, 6	L	11, 12, 14, 15, 16				MOLDING, Cargo Area Carpet
		1	3, 7	L	12, 15, 16				
23									PARTITION, Cargo

SPRINTER (VA)

SERIES

L = LOWLINE

LINE

3 = HD DODGE 2WD
8 = HD DODGE 4WD
6 = Lt. Duty DODGE 4WD
2 = Med. Duty DODGE 2WD
7 = Med. Duty DODGE 4WD
4 = TRUCK

BODY

12 = Van 140"
51 = Wagon 118"
52 = Wagon 140"
14 = Van 118"
15 = Van 140"
16 = Van 158"
54 = Wagon 118"
55 = Wagon 140"
56 = Wagon 158"
01 = Chassis Forward Control
118"
02 = Chassis Forward Control
140"
06 = Front Section 158"
11 = Van 118"

ENGINE

EX8 = Engine - 2.7L I5
Mercedes-Benz TD

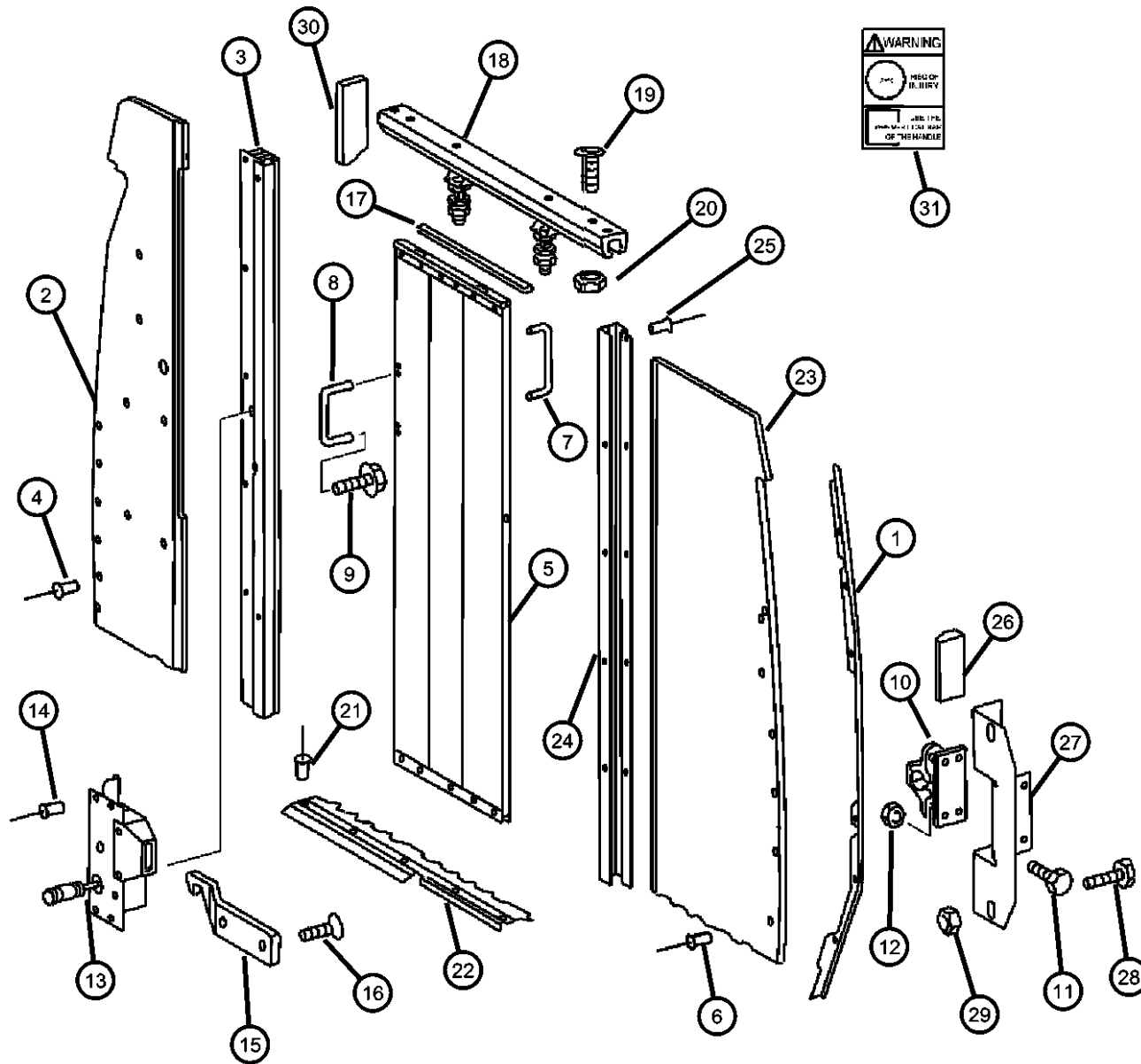
TRANSMISSION

DGJ = Transmission - 5-Spd Auto, MB

AR = use ase required - = Non illustrated part

2005 VA

Partition Wall and Sliding Door Figure IVA-260



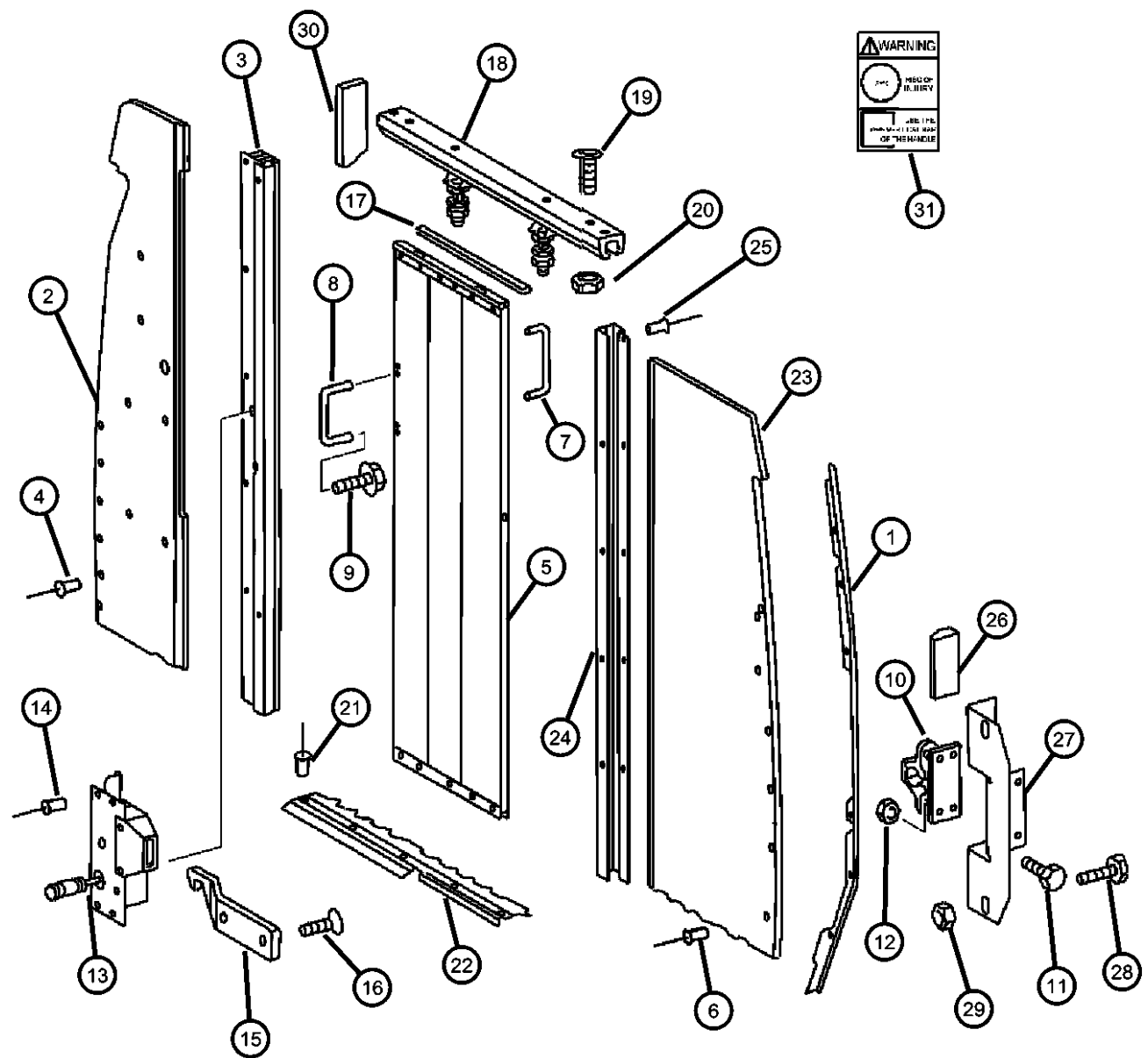
ITEM	PART NUMBER	QTY	LINE	SERIES	BODY	ENGINE	TRANS	TRIM	DESCRIPTION
	05104317AA	1	2, 6	L	11, 12, 14, 15, 16				Left
		1	3, 7	L	12, 15, 16				Left
24	05104309AA	1	2, 6	L	11, 12, 14, 15, 16				RAIL, Cargo Partition, Sliding Door
		1	3, 7	L	12, 15, 16				
25	05125812AA	9	2, 6	L	11, 12, 14, 15, 16				RIVET
		9	3, 7	L	12, 15, 16				
26	05104427AA	2	2, 6	L	11, 12, 14, 15, 16				BUMPER, Rubber
		2	2, 6	L	51, 52, 54, 55, 56				
		2	3, 7	L	12, 15, 16				
27	05104305AA	1	2, 6	L	11, 12, 14, 15, 16				HOUSING
	05120273AA	1	6, 2	L	01, 02, 06				
28	05126132AA	2	2, 6	L	11, 12, 14, 15, 16				BOLT, Hex Head
		2	3, 7	L	12, 15, 16				
29	06104716AA	2	2, 6	L	11, 12, 14, 15, 16				NUT
		2	3, 7	L	02, 06				
		2	2, 6	L	51, 52, 54, 55, 56				SEAL

SPRINTER (VA)

<p>SERIES</p> <p>L = LOWLINE</p>	<p>LINE</p> <p>3 = HD DODGE 2WD</p> <p>8 = HD DODGE 4WD</p> <p>6 = Lt. Duty DODGE 4WD</p> <p>2 = Med. Duty DODGE 2WD</p> <p>7 = Med. Duty DODGE 4WD</p> <p>4 = TRUCK</p>	<p>BODY</p> <p>12 = Van 140"</p> <p>51 = Wagon 118"</p> <p>52 = Wagon 140"</p> <p>14 = Van 118"</p> <p>15 = Van 140"</p> <p>16 = Van 158"</p> <p>54 = Wagon 118"</p> <p>55 = Wagon 140"</p> <p>56 = Wagon 158"</p> <p>01 = Chassis Forward Control 118"</p> <p>02 = Chassis Forward Control 140"</p> <p>06 = Front Section 158"</p> <p>11 = Van 118"</p>	<p>ENGINE</p> <p>EX8 = Engine - 2.7L I5 Mercedes-Benz TD</p>	<p>TRANSMISSION</p> <p>DGJ = Transmission - 5-Spd Auto, MB</p>
----------------------------------	--	--	--	--

AR = use ase required - = Non illustrated part

Partition Wall and Sliding Door
Figure IVA-260



ITEM	PART NUMBER	QTY	LINE	SERIES	BODY	ENGINE	TRANS	TRIM	DESCRIPTION
	05123661AA	1	2, 6	L	11, 12, 14, 15, 16				
		1	3, 7	L	12, 15, 16				
31	05121162AA	1	2, 6	L	11, 12, 14, 15, 16				LABEL, Warning
		1	3, 7	L	12, 15, 16				
-32	05121146AA	1	2, 6	L	11, 12, 14, 15, 16				LABEL, Gummed Label on Door
		1	3, 7	L	12, 15, 16				
-33	05125721AA	2	2, 6	L	11, 12, 14, 15, 16				BOLT, Door to Guide
		2	3, 7	L	12, 15, 16				
-34	05126126AA	4	2, 6	L	11, 12, 14, 15, 16				NUT, Door to Guide
		4	3, 7	L	12, 15, 16				
-35	05126208AA	4	2, 6	L	11, 12, 14, 15, 16				NUT, Hex, Door to Guide
		4	3, 7	L	12, 15, 16				

SPRINTER (VA)
SERIES
L = LOWLINE

LINE
3 = HD DODGE 2WD
8 = HD DODGE 4WD
6 = Lt. Duty DODGE 4WD
2 = Med. Duty DODGE 2WD
7 = Med. Duty DODGE 4WD
4 = TRUCK

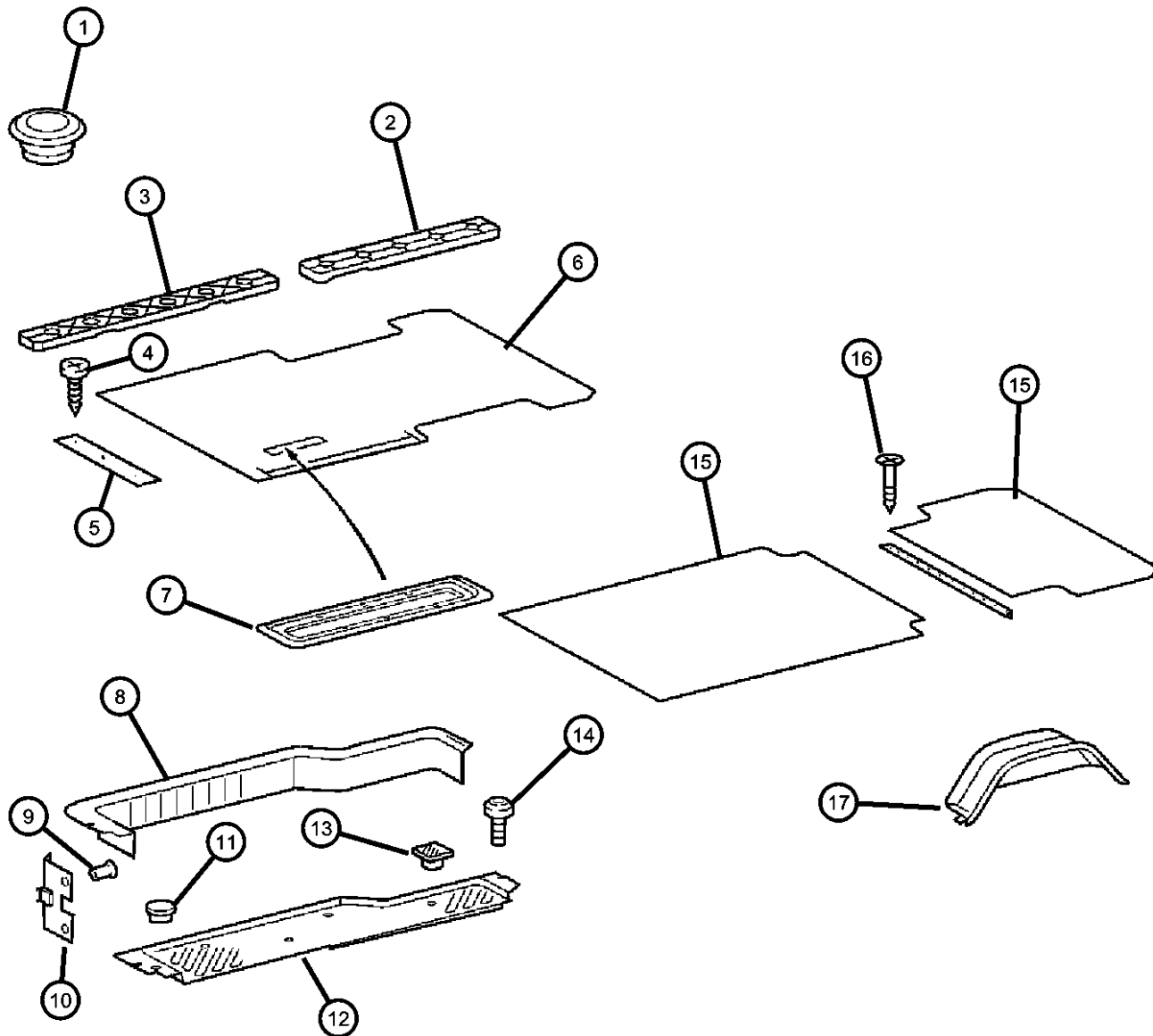
BODY
12 = Van 140"
51 = Wagon 118"
52 = Wagon 140"
14 = Van 118"
15 = Van 140"
16 = Van 158"
54 = Wagon 118"
55 = Wagon 140"
56 = Wagon 158"
01 = Chassis Forward Control
118"
02 = Chassis Forward Control
140"
06 = Front Section 158"
11 = Van 118"

ENGINE
EX8 = Engine - 2.7L I5
Mercedes-Benz TD

TRANSMISSION
DGJ = Transmission - 5-Spd Auto, MB

AR = use ase required - = Non illustrated part

Carpet - Floor
Figure IVA-310



ITEM	PART NUMBER	QTY	LINE	SERIES	BODY	ENGINE	TRANS	TRIM	DESCRIPTION
1	05125991AA	2	2, 6	L	11, 12, 14, 15, 16				PLUG
		99	2, 6	L	51, 52, 54, 55, 56				
		2	3, 7	L	12, 15, 16				
2	05122642AA	1	2, 6	L	12, 15				COVER, Seat Track Rear
		1	2, 6	L	11, 14				Rear
		1	3, 7	L	12, 15, 16				Rear
		1	2, 6	L	51, 52, 54, 55, 56				Rear
3	05122650AA	1	3, 7	L	12, 15, 16				COVER, Seat Track Front
		2	2, 6	L	11, 12, 14, 15, 16				Front
		1	2, 6	L	51, 52, 54, 55, 56				Front
4		1							SCREW, (NOT SERVICED)
5	05122835AA	1	2, 6	L	11, 12, 14, 15, 16				PLATE Carpet Ledge, Sliding Door Right
		1	2, 6	L	51, 52, 54, 55, 56				Carpet Ledge, Sliding Door Right
		1	3, 7	L	12, 15, 16				Carpet Ledge, Sliding Door Right
6		1							LINING, NONE, SPRINTER, (NOT SERVICED),
7		1							COVERING, NONE, SPRINTER, (NOT SERVICED)
8	05122827AA	1	2, 6	L	51, 52, 54, 55, 56				PANEL, Sliding Door Trim
		1	3, 7	L	12, 15, 16				
		1	2, 6	L	11, 12, 14, 15, 16				

SPRINTER (VA)

SERIES

L = LOWLINE

LINE

3 = HD DODGE 2WD
 8 = HD DODGE 4WD
 6 = Lt. Duty DODGE 4WD
 2 = Med. Duty DODGE 2WD
 7 = Med. Duty DODGE 4WD
 4 = TRUCK

BODY

12 = Van 140"
 51 = Wagon 118"
 52 = Wagon 140"
 14 = Van 118"
 15 = Van 140"
 16 = Van 158"
 54 = Wagon 118"
 55 = Wagon 140"
 56 = Wagon 158"
 01 = Chassis Forward Control 118"
 02 = Chassis Forward Control 140"
 06 = Front Section 158"
 11 = Van 118"

ENGINE

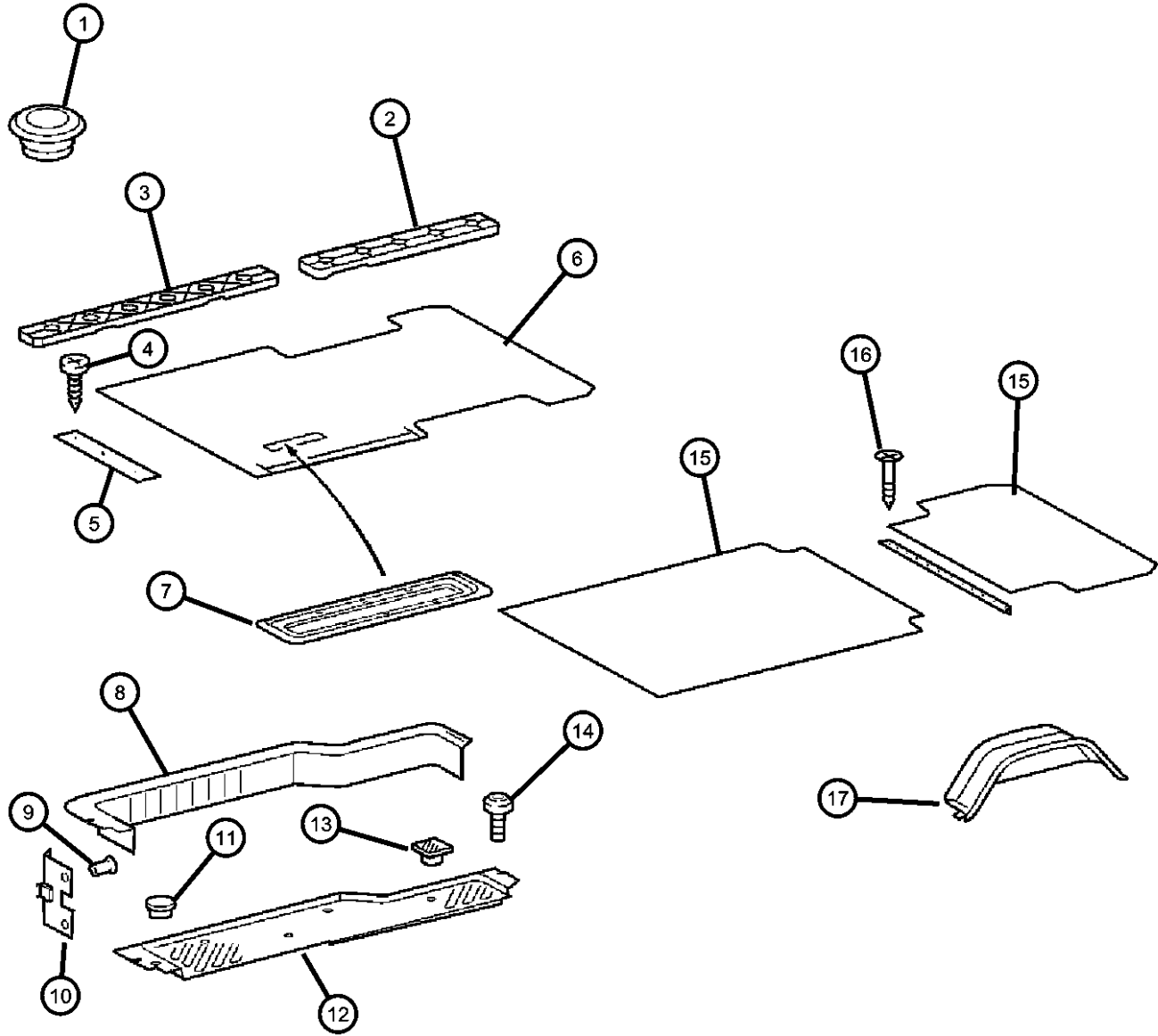
EX8 = Engine - 2.7L I5
 Mercedes-Benz TD

TRANSMISSION

DGJ = Transmission - 5-Spd Auto, MB

AR = use ase required - = Non illustrated part

Carpet - Floor
Figure IVA-310



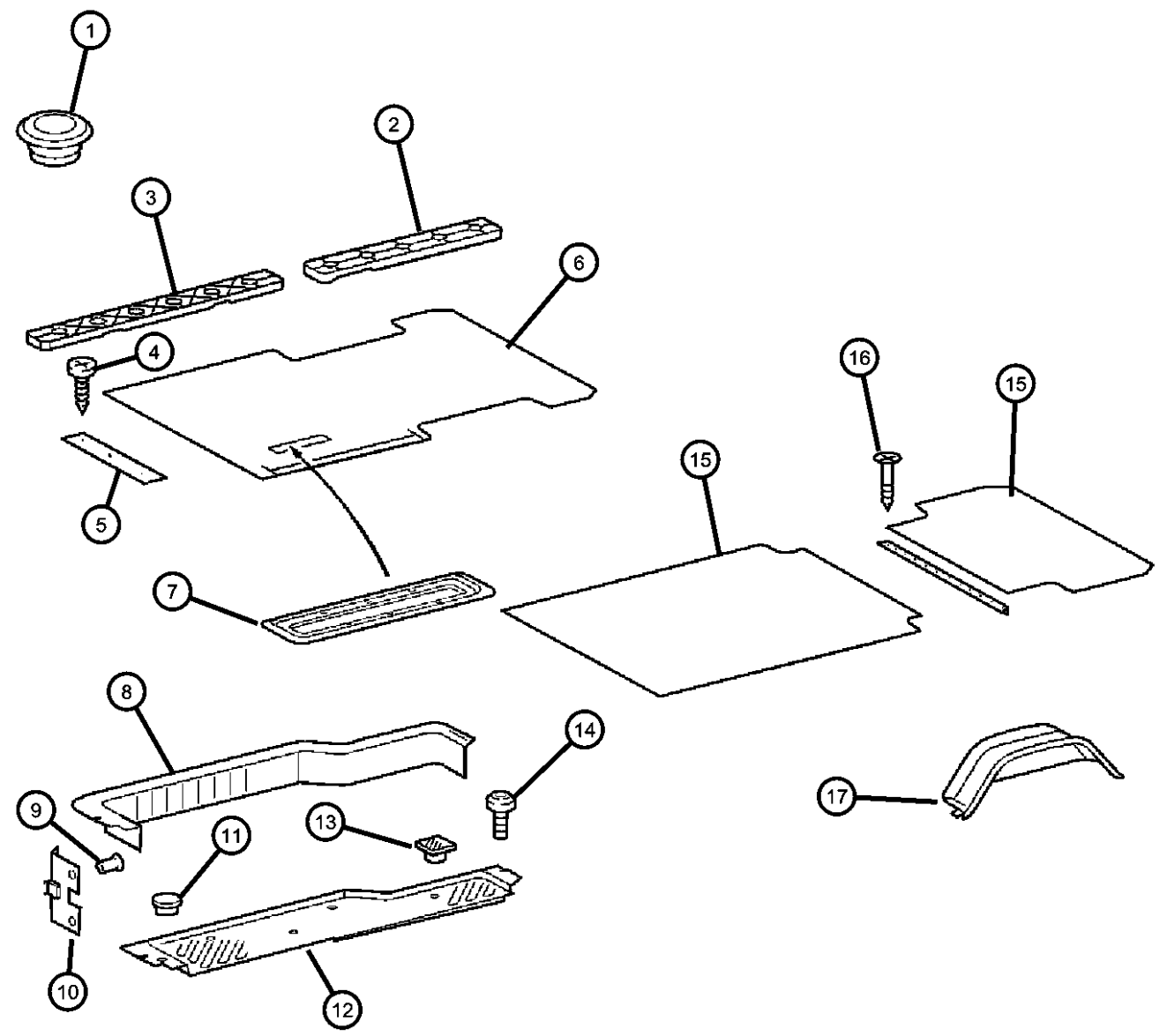
ITEM	PART NUMBER	QTY	LINE	SERIES	BODY	ENGINE	TRANS	TRIM	DESCRIPTION
9	05134061AA	8	2, 6	L	11, 12, 14, 15, 16				RIVET
		8	2, 6	L	51, 52, 54, 55, 56				
		8	3, 7	L	12, 15, 16				
10	05125584AA	8	2, 6	L	51, 52, 54, 55, 56				CLIP, Floor Trim
		8	3, 7	L	12, 15, 16				
		8	2, 6	L	11, 12, 14, 15, 16				
11	05122808AA	1	2, 6	L	11, 12, 14, 15, 16				PLUG
		1	2, 6	L	51, 52, 54, 55, 56				
		1	3, 7	L	12, 15, 16				
12	05122816AA	1	3, 7	L	12, 15, 16				PAD, Side Cargo Door Sill
		1	3, 7	L	12, 15, 16				Entrance, Sliding Door Right
	05122815AA	1	2, 6	L	11, 12, 14, 15, 16				Entrance, Sliding Door Left
		1	2, 6	L	51, 52, 54, 55, 56				Entrance, Sliding Door Left
		1	3, 7	L	12, 15, 16				Entrance, Sliding Door Left
		1	2, 6	L	11, 12, 14, 15, 16				Entrance, Sliding Door Right
		1	2, 6	L	51, 52, 54, 55, 56				Entrance, Sliding Door Right
13	05122811AA	4	2, 6	L	11, 12, 14, 15, 16				PLUG
		4	2, 6	L	51, 52, 54, 55, 56				
		4	7, 3	L	12, 15, 16				

SPRINTER (VA)

SERIES	LINE	BODY	ENGINE	TRANSMISSION
L = LOWLINE	3 = HD DODGE 2WD 8 = HD DODGE 4WD 6 = Lt. Duty DODGE 4WD 2 = Med. Duty DODGE 2WD 7 = Med. Duty DODGE 4WD 4 = TRUCK	12 = Van 140" 51 = Wagon 118" 52 = Wagon 140" 14 = Van 118" 15 = Van 140" 16 = Van 158" 54 = Wagon 118" 55 = Wagon 140" 56 = Wagon 158"	EX8 = Engine - 2.7L I5 Mercedes-Benz TD	DGJ = Transmission - 5-Spd Auto, MB
		01 = Chassis Forward Control 118"		
		02 = Chassis Forward Control 140"		
		06 = Front Section 158"		
		11 = Van 118"		

AR = use ase required - = Non illustrated part

Carpet - Floor
Figure IVA-310



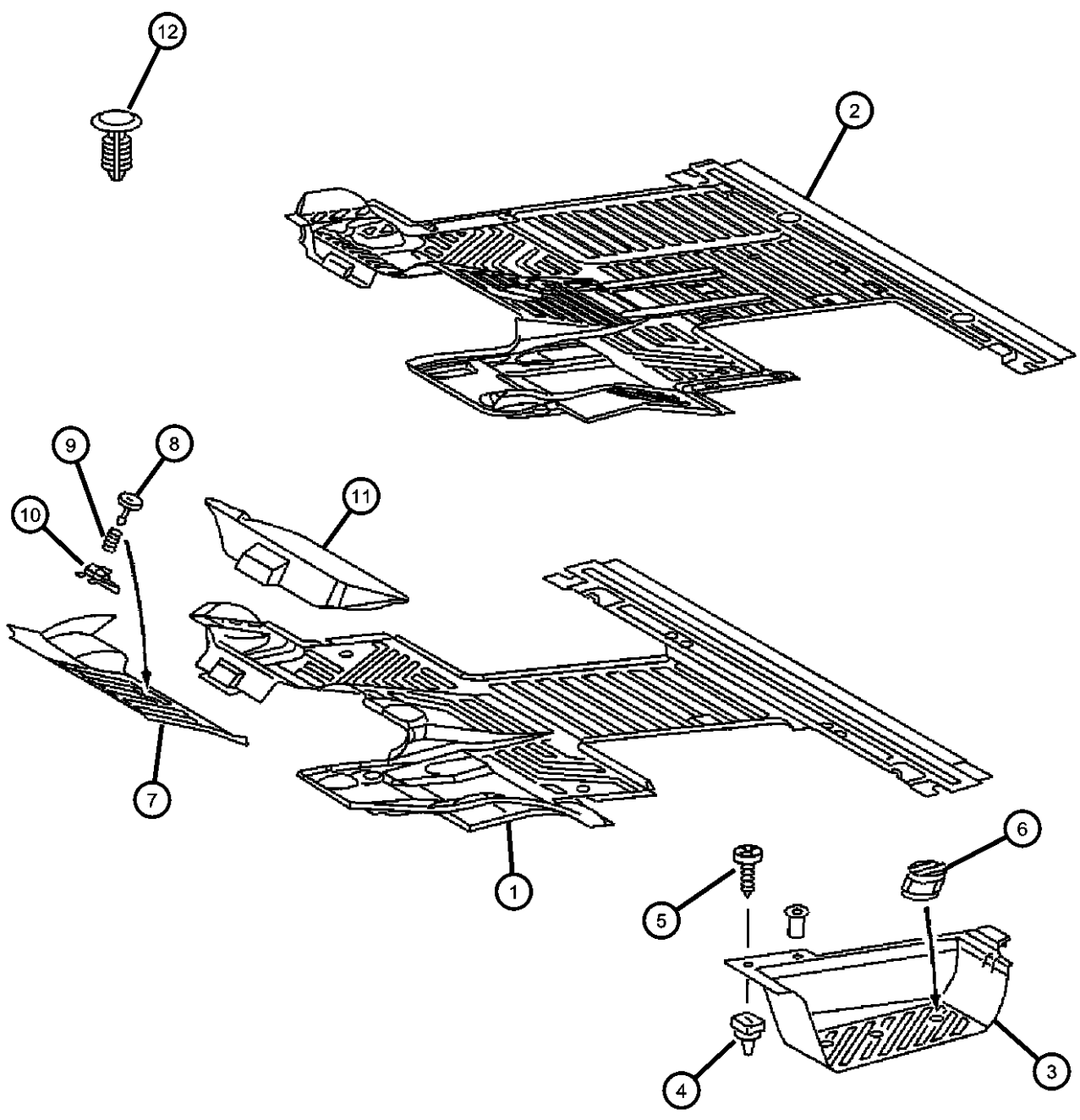
ITEM	PART NUMBER	QTY	LINE	SERIES	BODY	ENGINE	TRANS	TRIM	DESCRIPTION
14	06104142AA	2	2, 6	L	11, 12, 14, 15, 16				SCREW
		2	2, 6	L	51, 52, 54, 55, 56				
		2	3, 7	L	02, 06				
		2	3, 7	L	12, 15, 16				
15		2							LINING, NONE, SPRINTER, (NOT SERVICED)
16	05134062AA	9	3, 7	L	12, 15, 16				SCREW
17									MAT, Wheelhouse
	05122563AA	2	3, 7	L	12, 15, 16				
	05131453AA	2	2, 6	L	11, 12, 14, 15, 16				
		2	2, 6	L	51, 52, 54, 55, 56				
-18									MOLDING, Cargo Area Carpet
	05104156AA	1	2, 6	L	11, 12, 14, 15, 16				Threshold for Partition Door
		1	3, 7	L	12, 15, 16				Threshold for Partition Door

SPRINTER (VA)

SERIES	LINE	BODY	ENGINE	TRANSMISSION
L = LOWLINE	3 = HD DODGE 2WD 8 = HD DODGE 4WD 6 = Lt. Duty DODGE 4WD 2 = Med. Duty DODGE 2WD 7 = Med. Duty DODGE 4WD 4 = TRUCK	12 = Van 140" 51 = Wagon 118" 52 = Wagon 140" 14 = Van 118" 15 = Van 140" 16 = Van 158" 54 = Wagon 118" 55 = Wagon 140" 56 = Wagon 158" 01 = Chassis Forward Control 118" 02 = Chassis Forward Control 140" 06 = Front Section 158" 11 = Van 118"	EX8 = Engine - 2.7L I5 Mercedes-Benz TD	DGJ = Transmission - 5-Spd Auto, MB

AR = use ase required - = Non illustrated part

Floor Lining, Entry Paneling & Footrest
Figure IVA-315



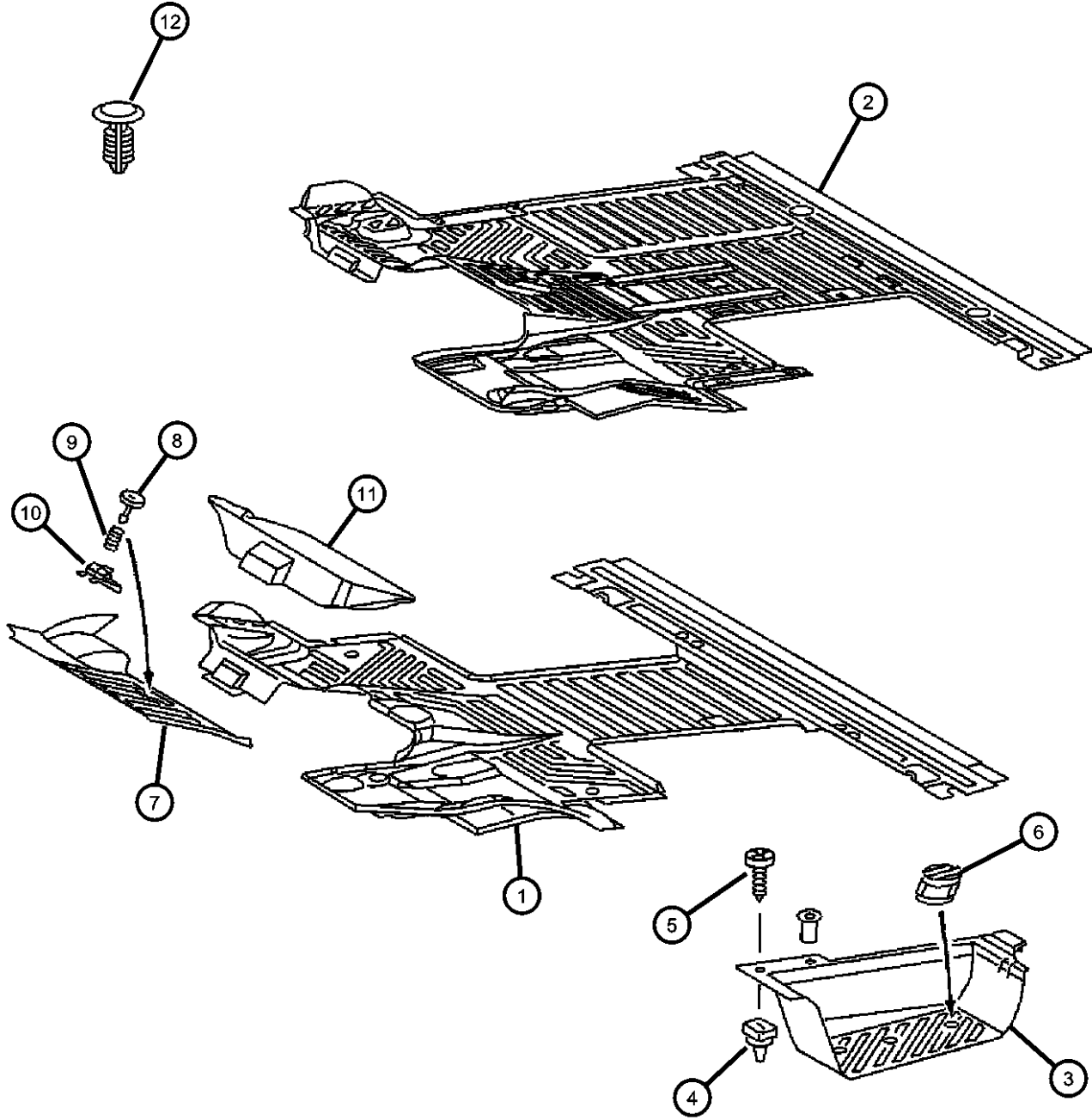
ITEM	PART NUMBER	QTY	LINE	SERIES	BODY	ENGINE	TRANS	TRIM	DESCRIPTION
1	05122614AA	1	2, 6	L	11, 12, 14, 15, 16				MAT, Front Floor, Rubber Lining
	05122633AA	1	3, 7	L	12, 15, 16				Rubber
	05122640AA	1	2, 6	L	51, 52, 54, 55, 56				Rubber, With Floor Console
		1	2, 6	L	11, 12, 14, 15, 16				Rubber, With Floor Console
		1	2, 6	L	51, 52, 54, 55, 56				Rubber
		1	3, 7	L	12, 15, 16				Rubber, With Floor Console
2	05104264AA	1	2, 6	L	11, 12, 14, 15, 16				MAT, Front Floor, Rubber With Partition Wall
		1	3, 7	L	12, 15, 16				With Partition Wall
	05122635AA	1	2, 6	L	11, 12, 14, 15, 16				With Center Console
		1	2, 6	L	51, 52, 54, 55, 56				With Center Console
		1	3, 7	L	12, 15, 16				With Center Console
3	05104265AA	1	2, 6	L	01, 02, 06				PLATE, Scuff Left
		1	2, 6	L	11, 12, 14, 15, 16				Left
		1	2, 6	L	51, 52, 54, 55, 56				Left
	05122822AA	1	2, 6	L	01, 02, 06				Illuminated Exit, Left
		1	2, 6	L	11, 12, 14, 15, 16				Illuminated Exit, Left
		1	2, 6	L	51, 52, 54, 55, 56				Illuminated Exit, Left
		1	3, 7	L	02, 06				Illuminated Exit, Left

SPRINTER (VA)

SERIES	LINE	BODY	ENGINE	TRANSMISSION
L = LOWLINE	3 = HD DODGE 2WD	12 = Van 140"	EX8 = Engine - 2.7L I5	DGJ = Transmission - 5-Spd Auto, MB
	8 = HD DODGE 4WD	51 = Wagon 118"	Mercedes-Benz TD	
	6 = Lt. Duty DODGE 4WD	52 = Wagon 140"		
	2 = Med. Duty DODGE 2WD	14 = Van 118"		
	7 = Med. Duty DODGE 4WD	15 = Van 140"		
	4 = TRUCK	16 = Van 158"		
		54 = Wagon 118"		
		55 = Wagon 140"		
		56 = Wagon 158"		
		01 = Chassis Forward Control 118"		
		02 = Chassis Forward Control 140"		
		06 = Front Section 158"		
		11 = Van 118"		

AR = use ase required - = Non illustrated part

**Floor Lining, Entry Paneling & Footrest
Figure IVA-315**

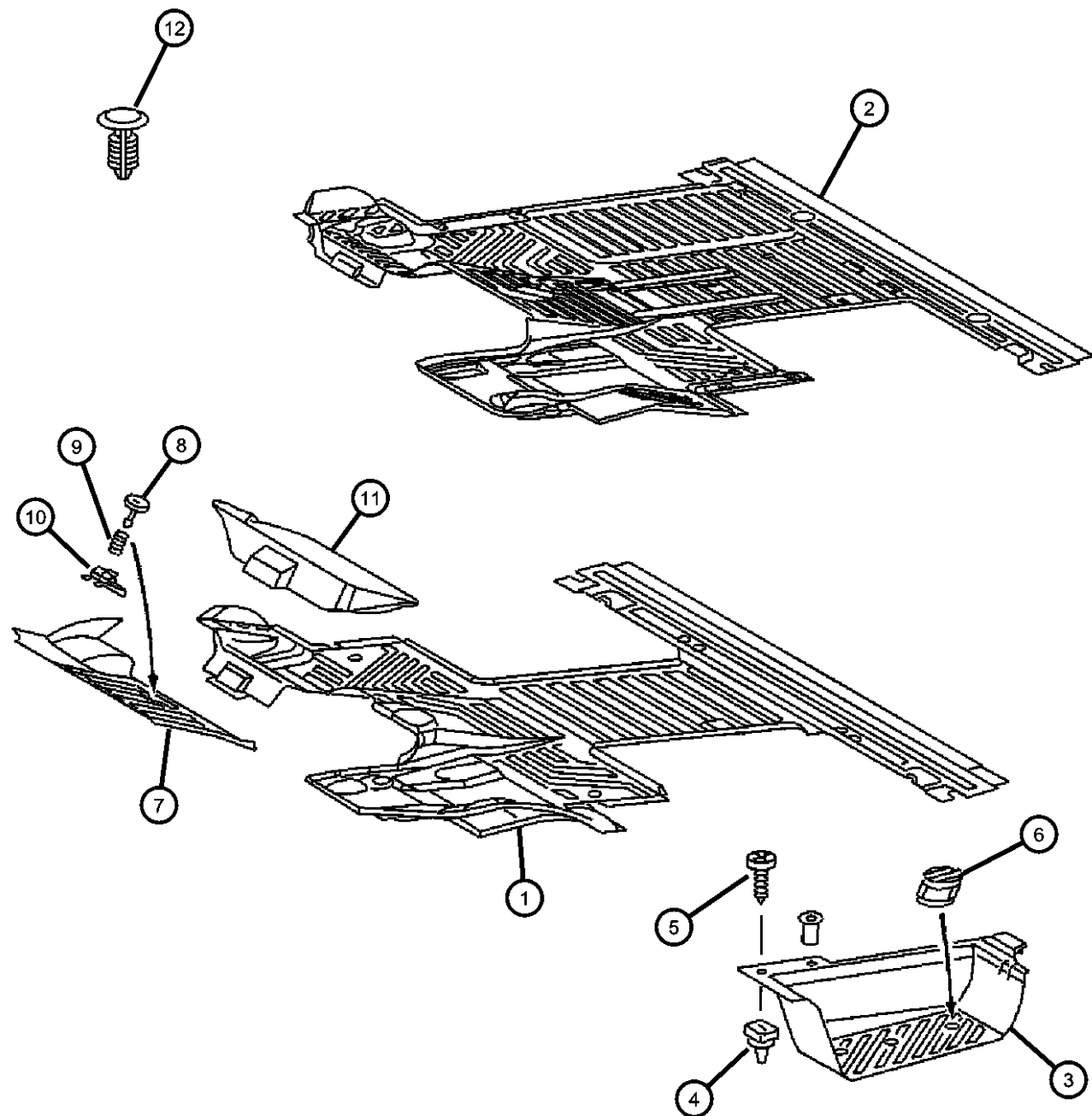


ITEM	PART NUMBER	QTY	LINE	SERIES	BODY	ENGINE	TRANS	TRIM	DESCRIPTION
		1	3, 7	L	12, 15, 16				Illuminated Exit, Left
	05122824AA	1	2, 6	L	01, 02, 06				Illuminated Exit, Right
		1	2, 6	L	11, 12, 14, 15, 16				Illuminated Exit, Right
		1	3, 7	L	02, 06				Left
		1	3, 7	L	12, 15, 16				Left
	05122821AA	1	6, 2	L	01, 02, 06				Right
		1	2, 6	L	11, 12, 14, 15, 16				Right
		1	2, 6	L	51, 52, 54, 55, 56				Right
		1	2, 6	L	51, 52, 54, 55, 56				Illuminated Exit, Right
		1	3, 7	L	02, 06				Illuminated Exit, Right
		1	3, 7	L	12, 15, 16				Illuminated Exit, Right
4									NUT, Plastic Snap-in
	05098837AA	6	2, 6	L	51, 52, 54, 55, 56				
		6	3, 7	L	02, 06				
		6	3, 7	L	12, 15, 16				
		6	2, 6	L	01, 02, 06				
		6	2, 6	L	11, 12, 14, 15, 16				
5									SCREW
	06104575AA	6	2, 6	L	01, 02, 06				
		6	2, 6	L	11, 12, 14, 15, 16				
		6	2, 6	L	51, 52, 54, 55, 56				
		6	3, 7	L	02, 06				
		6	3, 7	L	12, 15, 16				
6									PLUG

SPRINTER (VA)							
SERIES	LINE	BODY	ENGINE	TRANSMISSION			
L = LOWLINE	3 = HD DODGE 2WD 8 = HD DODGE 4WD 6 = Lt. Duty DODGE 4WD 2 = Med. Duty DODGE 2WD 7 = Med. Duty DODGE 4WD 4 = TRUCK	12 = Van 140" 51 = Wagon 118" 52 = Wagon 140" 14 = Van 118" 15 = Van 140" 16 = Van 158" 54 = Wagon 118" 55 = Wagon 140" 56 = Wagon 158"	EX8 = Engine - 2.7L I5 Mercedes-Benz TD	DGJ = Transmission - 5-Spd Auto, MB			
		01 = Chassis Forward Control 118"					
		02 = Chassis Forward Control 140"					
		06 = Front Section 158"					
		11 = Van 118"					

AR = use as required - = Non illustrated part

**Floor Lining, Entry Paneling & Footrest
Figure IVA-315**



ITEM	PART NUMBER	QTY	LINE	SERIES	BODY	ENGINE	TRANS	TRIM	DESCRIPTION
	05104549AA	3	2, 6	L	01, 02, 06				
		3	2, 6	L	11, 12, 14, 15, 16				
		3	2, 6	L	51, 52, 54, 55, 56				
		3	3, 7	L	02, 06				
		3	3, 7	L	12, 15, 16				
7	05122408AA	1	2, 6	L	01, 02, 06				COVER, Jack
		1	2, 6	L	11, 12, 14, 15, 16				
		1	2, 6	L	51, 52, 54, 55, 56				
		1	3, 7	L	02, 06				
		1	3, 7	L	12, 15, 16				
8	05122665AA	1	3, 7	L	02, 06				FASTENER, Footrest
		1	3, 7	L	12, 15, 16				
		1	2, 6	L	01, 02, 06				
		1	2, 6	L	11, 12, 14, 15, 16				
		1	2, 6	L	51, 52, 54, 55, 56				
9	05125845AA	1	2, 6	L	01, 02, 06				SPRING
		1	2, 6	L	11, 12, 14, 15, 16				
		1	2, 6	L	51, 52, 54, 55, 56				
		1	3, 7	L	02, 06				
		1	3, 7	L	12, 15, 16				
10									CLIP, Footrest

SPRINTER (VA)

SERIES

L = LOWLINE

LINE

3 = HD DODGE 2WD
 8 = HD DODGE 4WD
 6 = Lt. Duty DODGE 4WD
 2 = Med. Duty DODGE 2WD
 7 = Med. Duty DODGE 4WD
 4 = TRUCK

BODY

12 = Van 140"
 51 = Wagon 118"
 52 = Wagon 140"
 14 = Van 118"
 15 = Van 140"
 16 = Van 158"
 54 = Wagon 118"
 55 = Wagon 140"
 56 = Wagon 158"
 01 = Chassis Forward Control 118"
 02 = Chassis Forward Control 140"
 06 = Front Section 158"
 11 = Van 118"

ENGINE

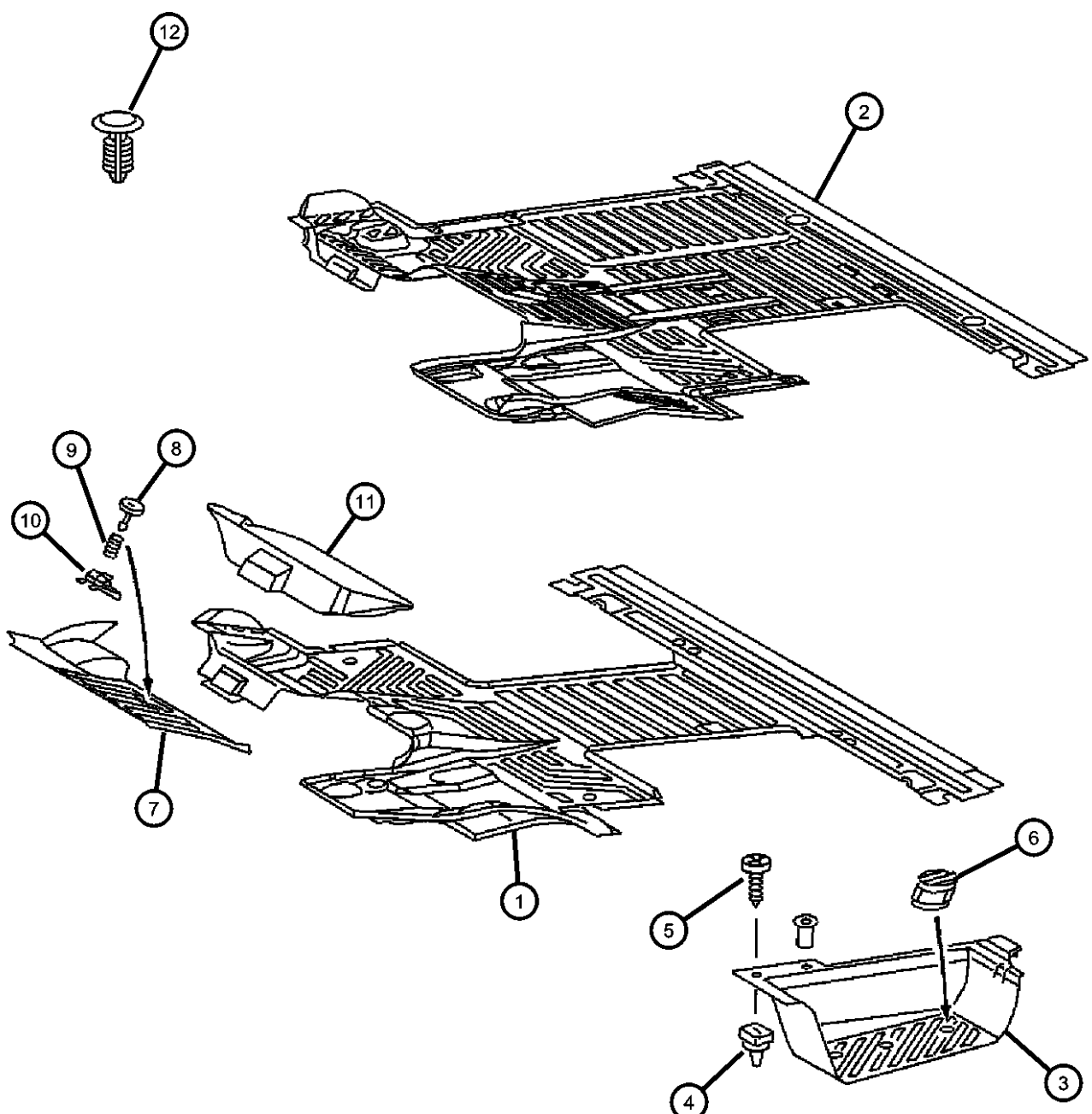
EX8 = Engine - 2.7L I5
 Mercedes-Benz TD

TRANSMISSION

DGJ = Transmission - 5-Spd Auto, MB

AR = use ase required - = Non illustrated part

Floor Lining, Entry Paneling & Footrest
Figure IVA-315

	ITEM	PART NUMBER	QTY	LINE	SERIES	BODY	ENGINE	TRANS	TRIM	DESCRIPTION	
		05125587AA	1	2, 6	L	01, 02, 06					
			1	2, 6	L	11, 12, 14, 15, 16					
			1	2, 6	L	51, 52, 54, 55, 56					
			1	3, 7	L	02, 06					
	11		1	3, 7	L	12, 15, 16				SUPPORT, Jack	
		05122662AA	1	2, 6	L	11, 12, 14, 15, 16					
			1	2, 6	L	51, 52, 54, 55, 56					
			1	3, 7	L	02, 06					
			1	3, 7	L	12, 15, 16					
			1	2, 6	L	01, 02, 06					
	12		05103817AA	1	2, 6	L	01, 02, 06				PLUG, Seat Mounting
			1	2, 6	L	51, 52, 54, 55, 56					
			1	3, 7	L	02, 06					
		1	2, 6	L	11, 12, 14, 15, 16						
		1	3, 7	L	12, 15, 16						
-13		05125906AA	4	2, 6	L	51, 52, 54, 55, 56				SEAL, Paneling to Entry Front	
			4	3, 7	L	02, 06					
			4	3, 7	L	12, 15, 16					
			4	2, 6	L	01, 02, 06					
			4	2, 6	L	11, 12, 14, 15, 16					

SPRINTER (VA)

SERIES

L = LOWLINE

LINE

3 = HD DODGE 2WD
 8 = HD DODGE 4WD
 6 = Lt. Duty DODGE 4WD
 2 = Med. Duty DODGE 2WD
 7 = Med. Duty DODGE 4WD
 4 = TRUCK

BODY

12 = Van 140"
 51 = Wagon 118"
 52 = Wagon 140"
 14 = Van 118"
 15 = Van 140"
 16 = Van 158"
 54 = Wagon 118"
 55 = Wagon 140"
 56 = Wagon 158"
 01 = Chassis Forward Control 118"
 02 = Chassis Forward Control 140"
 06 = Front Section 158"
 11 = Van 118"

ENGINE

EX8 = Engine - 2.7L I5
 Mercedes-Benz TD

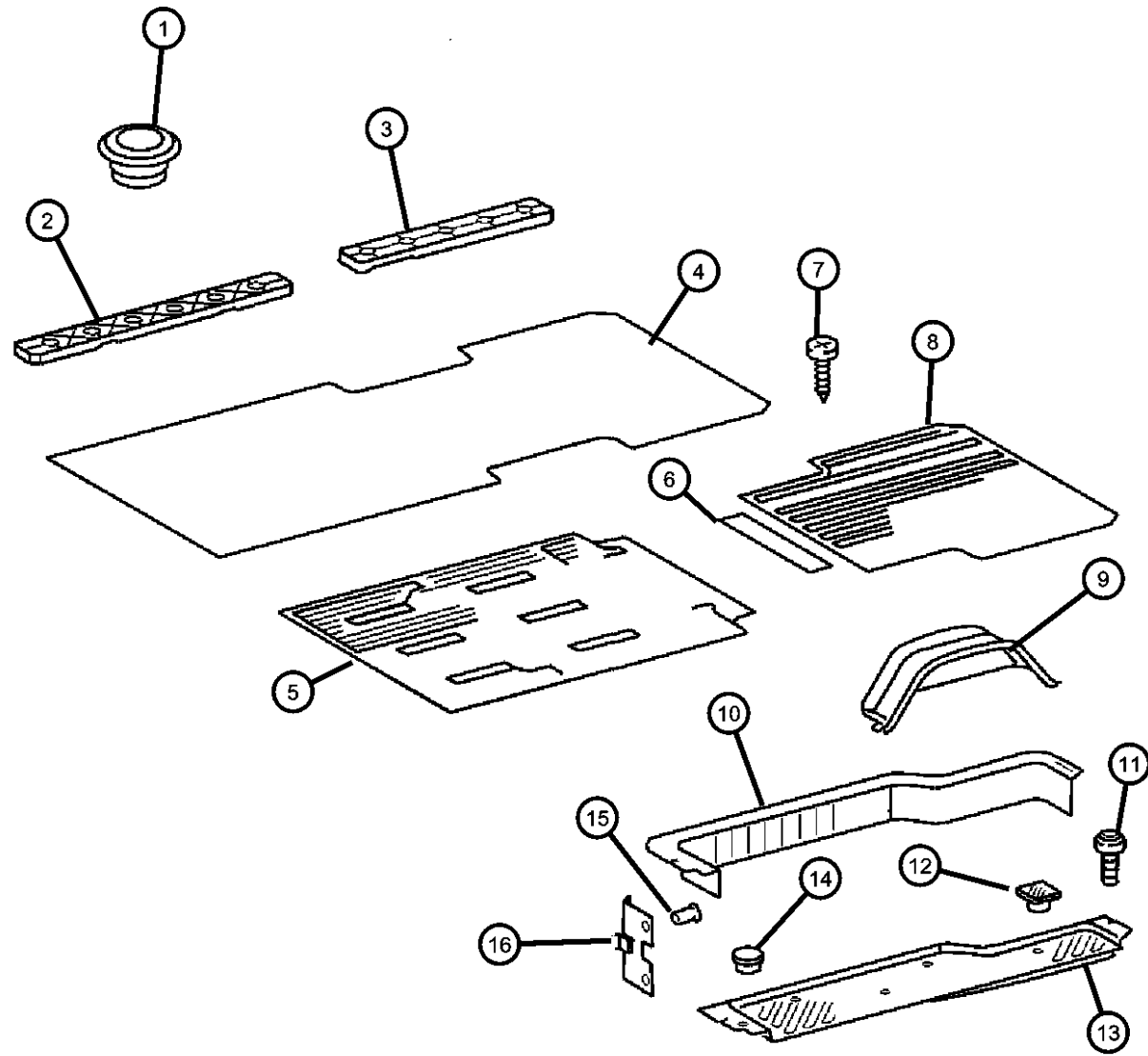
TRANSMISSION

DGJ = Transmission - 5-Spd Auto, MB

AR = use ase required - = Non illustrated part

2005 VA

Floor - Rubber
Figure IVA-320



ITEM	PART NUMBER	QTY	LINE	SERIES	BODY	ENGINE	TRANS	TRIM	DESCRIPTION
1	05125991AA	2	2, 6	L	11, 12, 14, 15, 16				PLUG
		99	2, 6	L	51, 52, 54, 55, 56				
		2	3, 7	L	12, 15, 16				
2	05122650AA	2	2, 6	L	51, 52, 54, 55, 56				COVER, Seat Track Front
		2	2, 6	L	11, 12, 14, 15, 16				Front
		2	3, 7	L	12, 15, 16				Front
3	05122642AA	99	2, 6	L	11, 12, 14, 15, 16				COVER, Seat Track Rear
		1	2, 6	L	51, 52, 54, 55, 56				Rear
		1	3, 7	L	12, 15, 16				Rear
4	05131455AA	1	2, 6	L	51, 54				MAT, Floor
		1	2, 6	L	11, 14				
5	05122564AA	1	3, 7	L	12, 15				MAT, Front Floor, Rubber
	05122572AA	1	3, 7	L	16				140 Inch Wheelbase
	05131462AA	1	2, 6	L	12, 15				158 Inch Wheelbase
		1	2, 6	L	12, 15				140 Inch Wheelbase
	05131469AA	1	2, 6	L	52, 55				140 Inch Wheelbase
		1	2, 6	L	11, 14, 16				158 Inch Wheelbase
		1	2, 6	L	51, 54, 56				158 Inch Wheelbase
6	05122837AA	1	2, 6	L	51, 52, 54, 55, 56				PLATE
	05122835AA	1	2, 6	L	11, 12, 14, 15, 16				With Load Compartment Sliding Door, Left
									With Load Compartment Sliding Door, Right

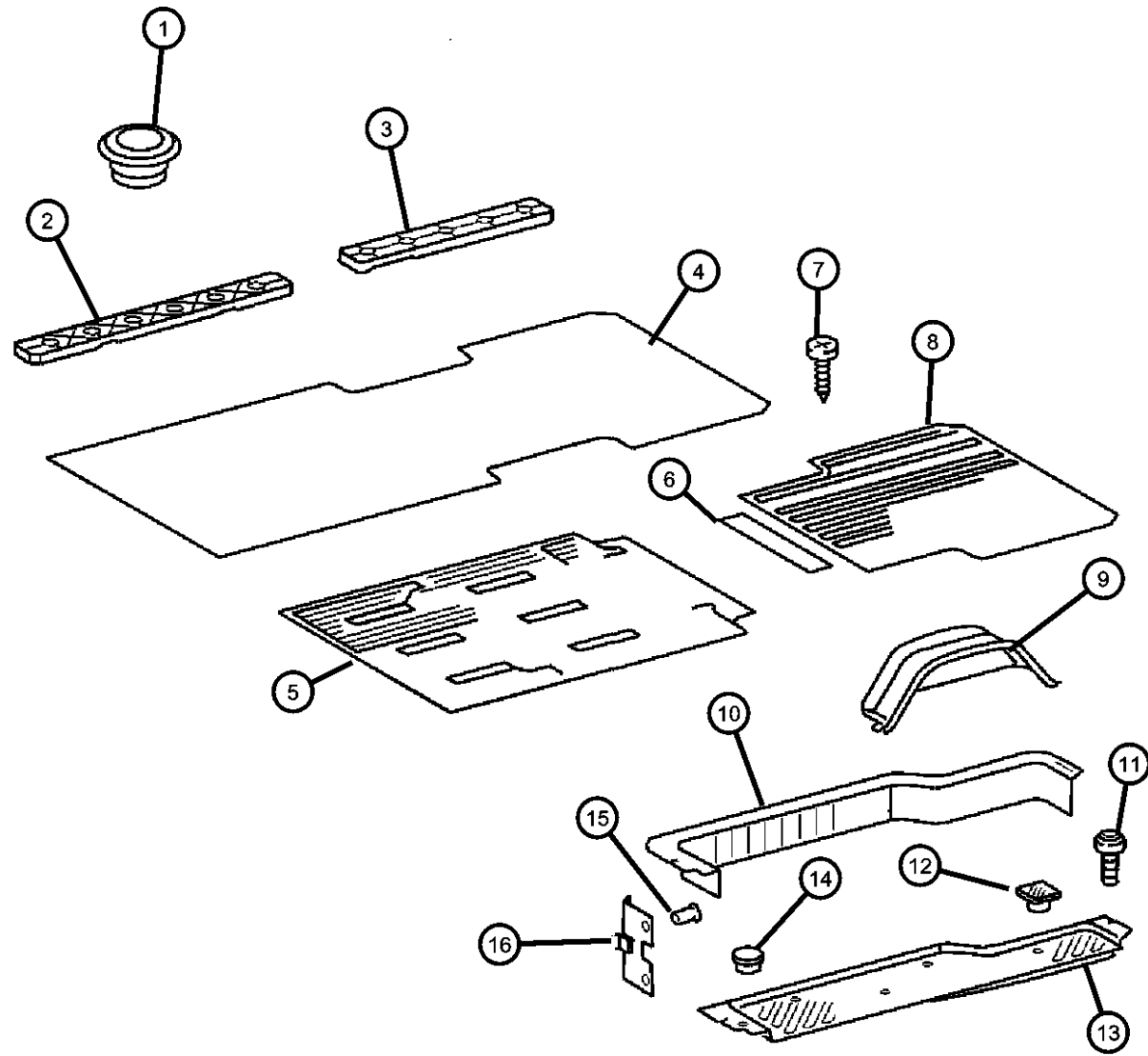
SPRINTER (VA)

SERIES	LINE	BODY	ENGINE	TRANSMISSION
L = LOWLINE	3 = HD DODGE 2WD 8 = HD DODGE 4WD 6 = Lt. Duty DODGE 4WD 2 = Med. Duty DODGE 2WD 7 = Med. Duty DODGE 4WD 4 = TRUCK	12 = Van 140" 51 = Wagon 118" 52 = Wagon 140" 14 = Van 118" 15 = Van 140" 16 = Van 158" 54 = Wagon 118" 55 = Wagon 140" 56 = Wagon 158" 01 = Chassis Forward Control 118" 02 = Chassis Forward Control 140" 06 = Front Section 158" 11 = Van 118"	EX8 = Engine - 2.7L I5 Mercedes-Benz TD	DGJ = Transmission - 5-Spd Auto, MB

AR = use ase required - = Non illustrated part

2005 VA

Floor - Rubber
Figure IVA-320



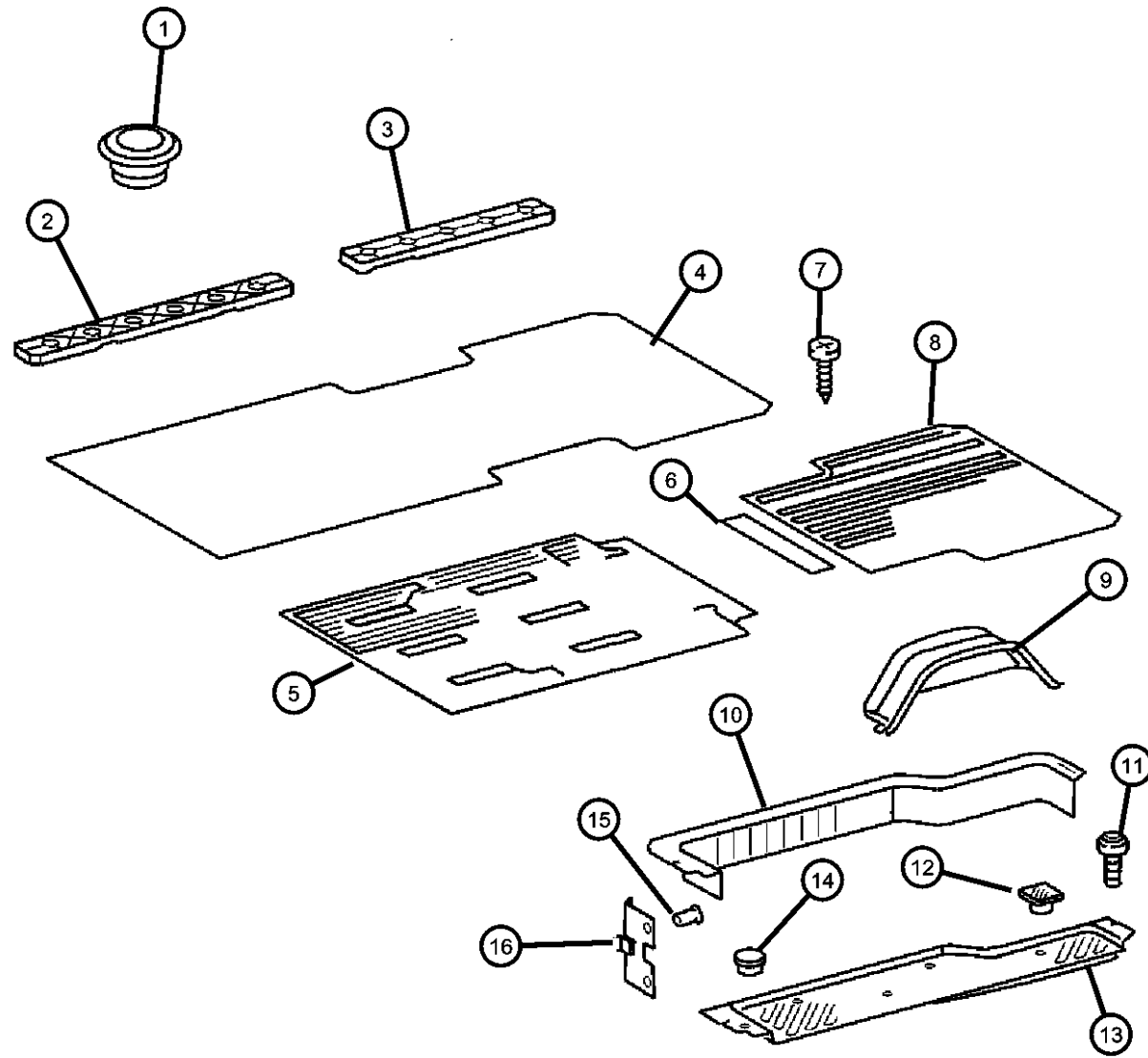
ITEM	PART NUMBER	QTY	LINE	SERIES	BODY	ENGINE	TRANS	TRIM	DESCRIPTION
		1	2, 6	L	51, 52, 54, 55, 56				With Load Compartment Sliding Door, Right
		1	3, 7	L	12, 15, 16				With Load Compartment Sliding Door, Right
		1	2, 6	L	11, 12, 14, 15, 16				With Load Compartment Sliding Door, Left
		1	3, 7	L	12, 15, 16				With Load Compartment Sliding Door, Left
	05122840AA	1	2, 6	L	11, 12, 14, 15, 16				With Load Compartment Sliding Door, Left & Right
		1	2, 6	L	51, 52, 54, 55, 56				With Load Compartment Sliding Door, Left & Right
		1	3, 7	L	12, 15, 16				With Load Compartment Sliding Door, Left & Right
	05122842AA	1	2, 6	L	11, 12, 14, 15, 16				Without Load Compartment Sliding Door
		1	2, 6	L	51, 52, 54, 55, 56				Without Load Compartment Sliding Door
		1	3, 7	L	12, 15, 16				Without Load Compartment Sliding Door
7									RIVET, RIVET
	05133555AA	7	2, 6	L	11, 12, 14, 15, 16				
		7	2, 6	L	51, 52, 54, 55, 56				
		7	3, 7	L	12, 15, 16				
8									MAT, Floor
	05122581AA	1	3, 7	L	16				158 Inch Wheelbase, Rear
	05131477AA	1	2, 6	L	16				158 Inch Wheelbase, Rear
		1	2, 6	L	56				158 Inch Wheelbase, Rear
	05131478AA	1	2, 6	L	12, 15				140 Inch Wheelbase, Rear
		1	2, 6	L	52, 55				140 Inch Wheelbase, Rear
	05122580AA	1	3, 7	L	12, 15				140 Inch Wheelbase, Rear
9									MAT, Wheelhouse
	05122563AA	2	3, 7	L	12, 15, 16				3500 GVW

SPRINTER (VA)

SERIES	LINE	BODY	ENGINE	TRANSMISSION
L = LOWLINE	3 = HD DODGE 2WD 8 = HD DODGE 4WD 6 = Lt. Duty DODGE 4WD 2 = Med. Duty DODGE 2WD 7 = Med. Duty DODGE 4WD 4 = TRUCK	12 = Van 140" 51 = Wagon 118" 52 = Wagon 140" 14 = Van 118" 15 = Van 140" 16 = Van 158" 54 = Wagon 118" 55 = Wagon 140" 56 = Wagon 158"	EX8 = Engine - 2.7L I5 Mercedes-Benz TD	DGJ = Transmission - 5-Spd Auto, MB
		01 = Chassis Forward Control 118"		
		02 = Chassis Forward Control 140"		
		06 = Front Section 158"		
		11 = Van 118"		

AR = use ase required - = Non illustrated part

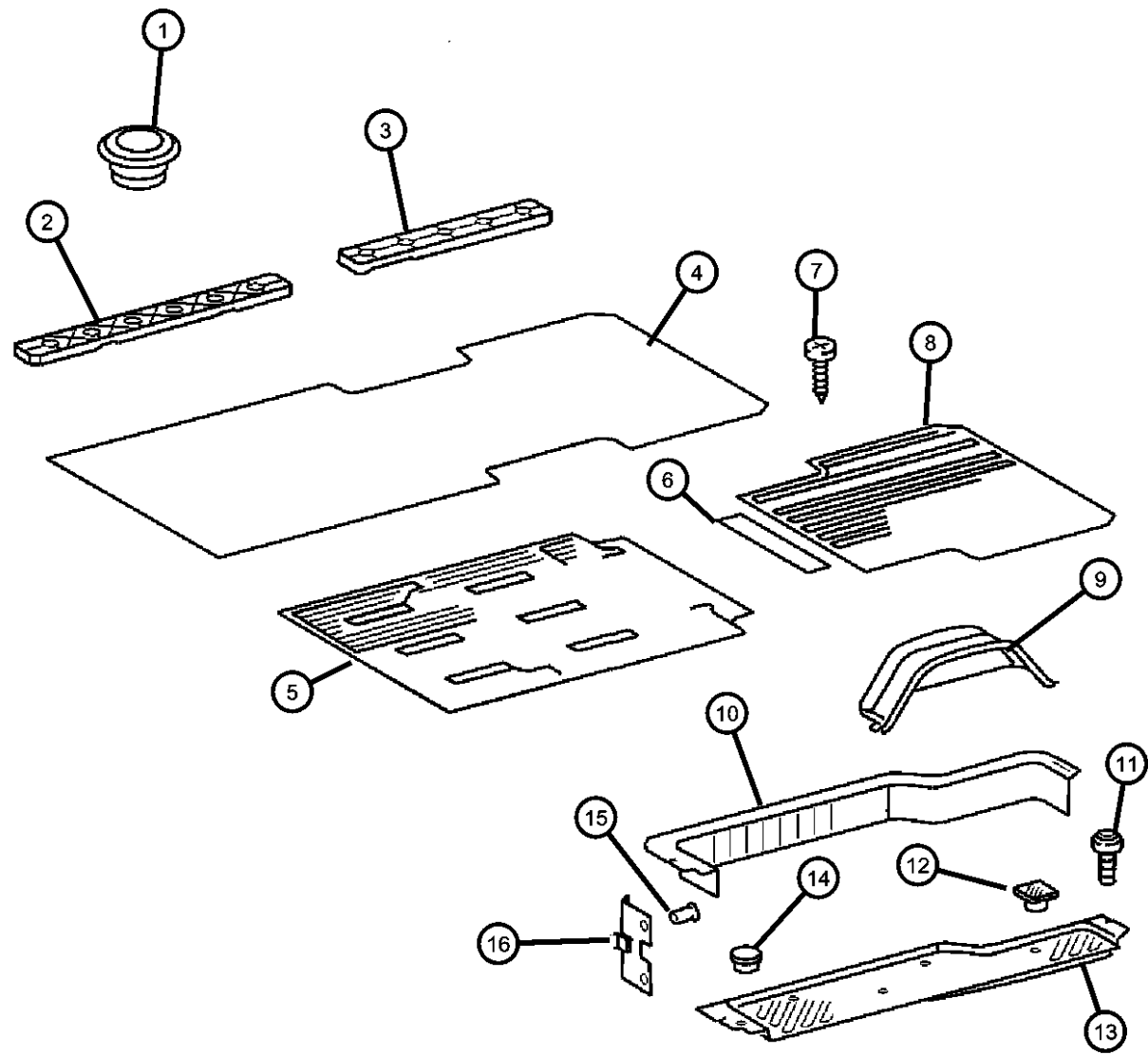
Floor - Rubber
Figure IVA-320



ITEM	PART NUMBER	QTY	LINE	SERIES	BODY	ENGINE	TRANS	TRIM	DESCRIPTION
	05131453AA	2	2, 6	L	11, 12, 14, 15, 16				2500 GVW
		2	2, 6	L	51, 52, 54, 55, 56				2500 GVW
10	05122825AA	1	2, 6	L	51, 52, 54, 55, 56				PANEL, Sliding Door Trim Sliding Door Left
	05122827AA	1	3, 7	L	12, 15, 16				Sliding Door Left
		1	2, 6	L	11, 12, 14, 15, 16				Sliding Door Right
		1	2, 6	L	11, 12, 14, 15, 16				Sliding Door Left
		1	2, 6	L	51, 52, 54, 55, 56				Sliding Door Right
	05122830AA	1	3, 7	L	12, 15, 16				Sliding Door Right
		1	2, 6	L	11, 12, 14, 15, 16				Sliding Door Left With Entrance Light
		1	2, 6	L	51, 52, 54, 55, 56				Sliding Door Left With Entrance Light
	05122832AA	1	3, 7	L	12, 15, 16				Sliding Door Left With Entrance Light
		1	2, 6	L	11, 12, 14, 15, 16				Sliding Door Right With Entrance Light
		1	2, 6	L	51, 52, 54, 55, 56				Sliding Door Right With Entrance Light
		1	3, 7	L	12, 15, 16				Sliding Door Right With Entrance Light
11	06104142AA	2	2, 6	L	01, 02, 06				SCREW
		2	2, 6	L	11, 12, 14, 15, 16				
		2	2, 6	L	51, 52, 54, 55, 56				
		2	3, 7	L	02, 06				
12		2	3, 7	L	12, 15, 16				PLUG

SPRINTER (VA)
 SERIES LINE BODY ENGINE TRANSMISSION
 L = LOWLINE 3 = HD DODGE 2WD 12 = Van 140" EX8 = Engine - 2.7L I5 DGJ = Transmission - 5-Spd Auto, MB
 8 = HD DODGE 4WD 51 = Wagon 118" Mercedes-Benz TD
 6 = Lt. Duty DODGE 4WD 52 = Wagon 140"
 2 = Med. Duty DODGE 2WD 14 = Van 118"
 7 = Med. Duty DODGE 4WD 15 = Van 140"
 4 = TRUCK 16 = Van 158"
 54 = Wagon 118"
 55 = Wagon 140"
 56 = Wagon 158"
 01 = Chassis Forward Control 118"
 02 = Chassis Forward Control 140"
 06 = Front Section 158"
 11 = Van 118"

Floor - Rubber
Figure IVA-320



ITEM	PART NUMBER	QTY	LINE	SERIES	BODY	ENGINE	TRANS	TRIM	DESCRIPTION
	05122811AA	4	2, 6	L	11, 12, 14, 15, 16				
		4	2, 6	L	51, 52, 54, 55, 56				
		4	3, 7	L	12, 15, 16				
13									PAD, Side Cargo Door Sill
	05122815AA	1	3, 7	L	12, 15, 16				Entrance Sliding Door, Left
	05122816AA	1	2, 6	L	11, 12, 14, 15, 16				Entrance Sliding Door, Right
		1	2, 6	L	11, 12, 14, 15, 16				Entrance Sliding Door, Left
		1	2, 6	L	51, 52, 54, 55, 56				Entrance Sliding Door, Left
		1	2, 6	L	51, 52, 54, 55, 56				Entrance Sliding Door, Right
		1	3, 7	L	12, 15, 16				Entrance Sliding Door, Right
14									PLUG
	05122808AA	1	2, 6	L	11, 12, 14, 15, 16				
		1	2, 6	L	51, 52, 54, 55, 56				
		1	3, 7	L	12, 15, 16				
15									RIVET
	05134061AA	8	2, 6	L	51, 52, 54, 55, 56				
		8	2, 6	L	11, 12, 14, 15, 16				
		8	3, 7	L	12, 15, 16				
16									CLIP, Floor Trim
	05125584AA	4	2, 6	L	11, 12, 14, 15, 16				
		4	2, 6	L	51, 52, 54, 55, 56				
		4	3, 7	L	12, 15, 16				

SPRINTER (VA)

SERIES **LINE** **BODY** **ENGINE** **TRANSMISSION**

L = LOWLINE 3 = HD DODGE 2WD 12 = Van 140" EX8 = Engine - 2.7L I5 DGJ = Transmission - 5-Spd Auto, MB

 8 = HD DODGE 4WD 51 = Wagon 118" Mercedes-Benz TD

 6 = Lt. Duty DODGE 4WD 52 = Wagon 140"

 2 = Med. Duty DODGE 2WD 14 = Van 118"

 7 = Med. Duty DODGE 4WD 15 = Van 140"

 4 = TRUCK 16 = Van 158"

 54 = Wagon 118"

 55 = Wagon 140"

 56 = Wagon 158"

 01 = Chassis Forward Control

 118"

 02 = Chassis Forward Control

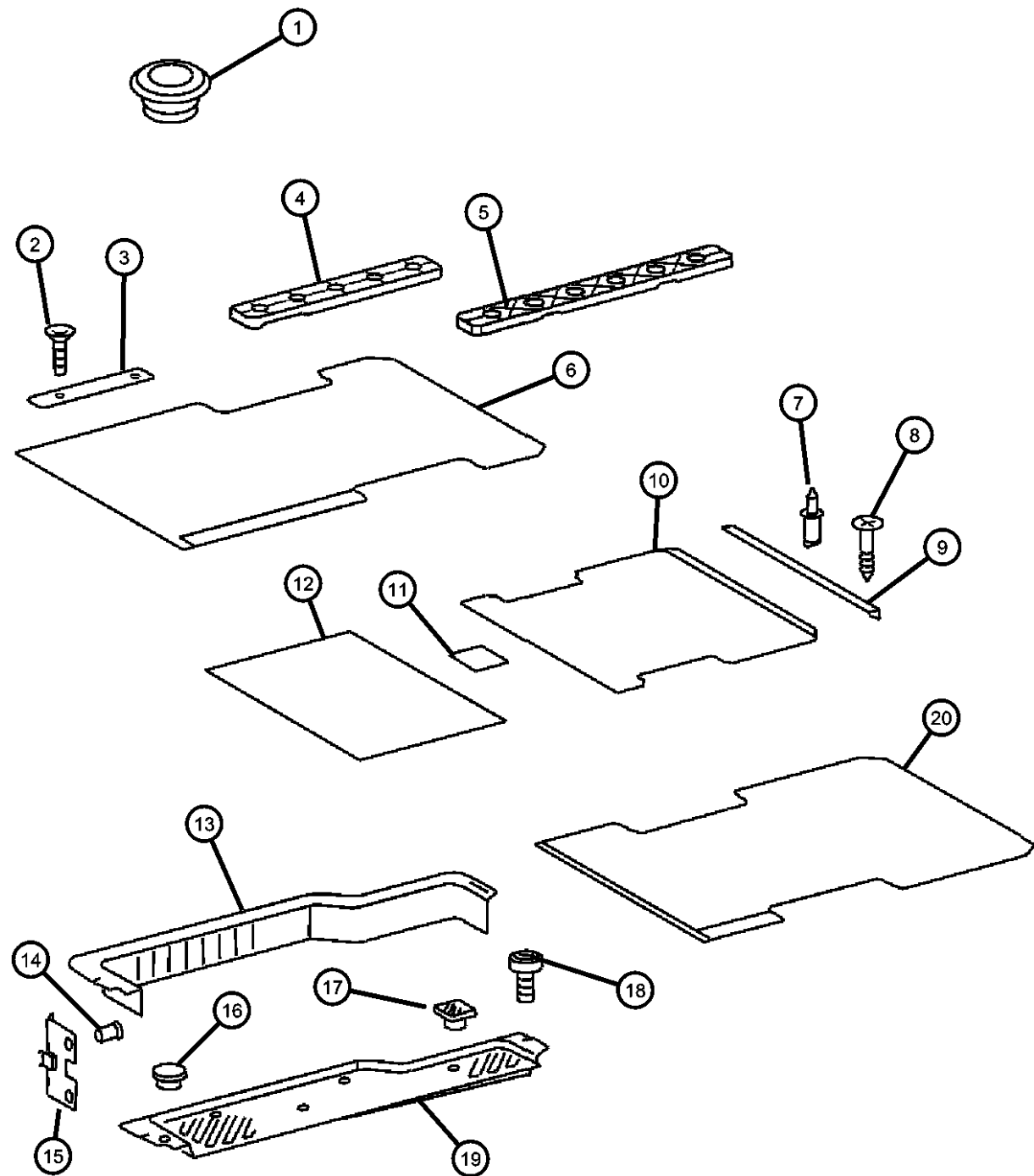
 140"

 06 = Front Section 158"

 11 = Van 118"

AR = use ase required - = Non illustrated part

Floor - Wooden
Figure IVA-330



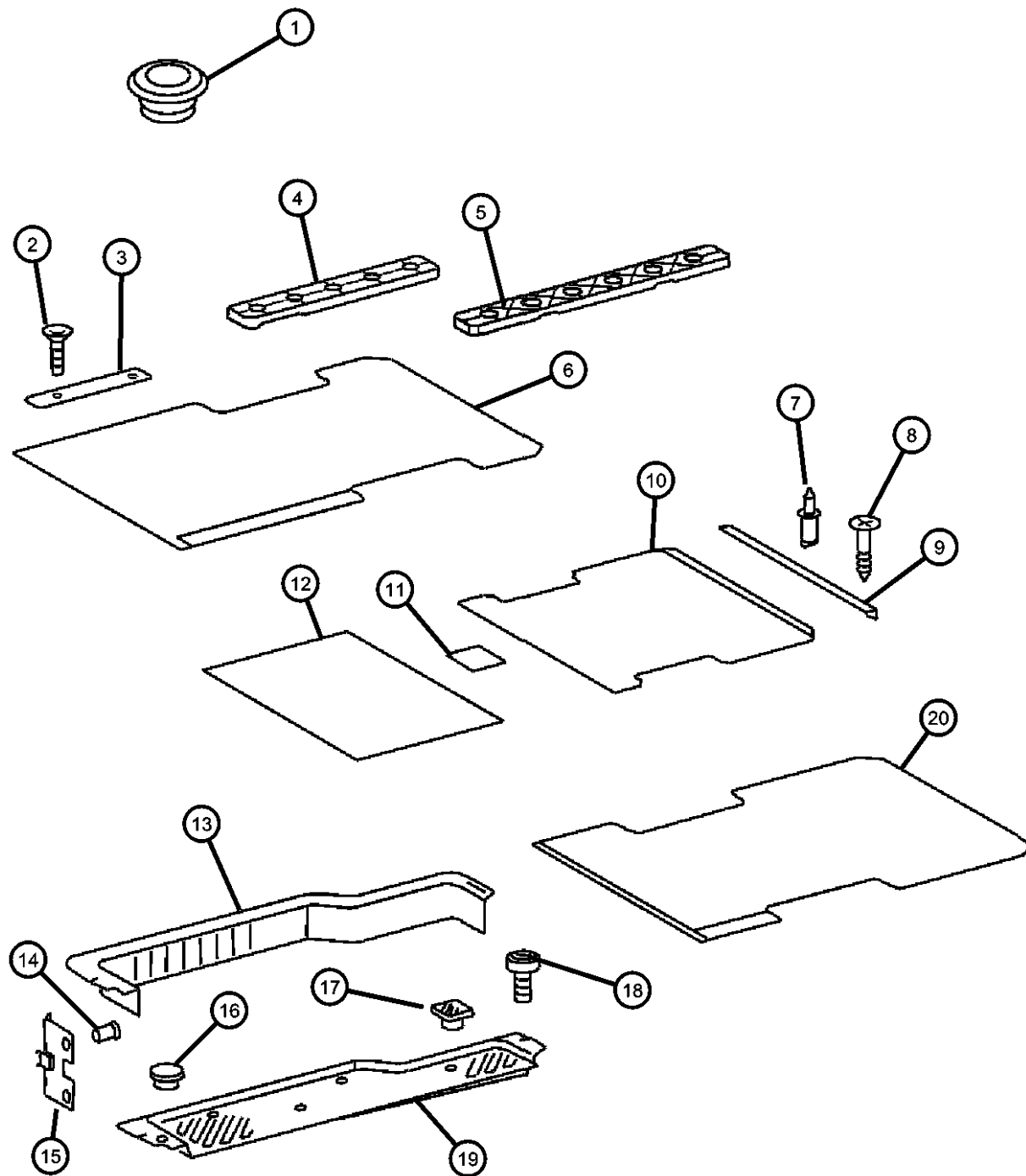
ITEM	PART NUMBER	QTY	LINE	SERIES	BODY	ENGINE	TRANS	TRIM	DESCRIPTION
1	05125991AA	99	2, 6	L	51, 52, 54, 55, 56				PLUG
		2	3, 7	L	12, 15, 16				
		2	2, 6	L	11, 12, 14, 15, 16				
2		2							SCREW, (NOT SERVICED)
3		2							PLATE, (NOT SERVICED)
4									COVER, Seat Track
	05122642AA	99	2, 6	L	11, 12, 14, 15, 16				Rear
		1	2, 6	L	51, 52, 54, 55, 56				Rear
		1	3, 7	L	12, 15, 16				Rear
5									COVER, Seat Track
	05122650AA	2	3, 7	L	12, 15, 16				Front
		2	2, 6	L	11, 12, 14, 15, 16				Front
		2	2, 6	L	51, 52, 54, 55, 56				Front
6									FLOOR, Wooden
	05122778AA	1	2, 6	L	12, 15				With Front Seats, 140 & 158 Inch Wheelbase
		1	2, 6	L	52, 55				With Front Seats, 140 & 158 Inch Wheelbase
		1	3, 7	L	12, 15, 16				With Front Seats, 140 & 158 Inch Wheelbase
	05131631AA	1	2, 6	L	11, 14				With 118 Inch Wheelbase, Cargo, No Seats
	05131663AA	1	2, 6	L	11, 14				With 118 Inch Wheelbase, Passenger Van With Seats
		1	2, 6	L	51, 54				With 118 Inch Wheelbase, Passenger Van With Seats
7									RIVET
	06104871AA	14	2, 6	L	16				

SPRINTER (VA)

SERIES	LINE	BODY	ENGINE	TRANSMISSION
L = LOWLINE	3 = HD DODGE 2WD 8 = HD DODGE 4WD 6 = Lt. Duty DODGE 4WD 2 = Med. Duty DODGE 2WD 7 = Med. Duty DODGE 4WD 4 = TRUCK	12 = Van 140" 51 = Wagon 118" 52 = Wagon 140" 14 = Van 118" 15 = Van 140" 16 = Van 158" 54 = Wagon 118" 55 = Wagon 140" 56 = Wagon 158" 01 = Chassis Forward Control 118" 02 = Chassis Forward Control 140" 06 = Front Section 158" 11 = Van 118"	EX8 = Engine - 2.7L I5 Mercedes-Benz TD	DGJ = Transmission - 5-Spd Auto, MB

AR = use ase required - = Non illustrated part

Floor - Wooden
Figure IVA-330



ITEM	PART NUMBER	QTY	LINE	SERIES	BODY	ENGINE	TRANS	TRIM	DESCRIPTION
		16	2, 6	L	12, 15				
		14	2, 6	L	52, 55				
		16	6, 2	L	52, 55				
		14	3, 7	L	12, 15, 16				
8	05134062AA	9	3, 7	L	12, 15, 16				SCREW
9	05122669AA	1	2, 6	L	51, 52, 54, 55, 56				MOLDING, Cargo Area Carpet
		1	3, 7	L	12, 15, 16				
		1	2, 6	L	11, 12, 14, 15, 16				
10	05122802AA	1	2, 6	L	12, 15				FLOOR, Wooden
		1	2, 6	L	52, 55				With Seats, 140 Inch Wheelbase, Rear
	05122804AA	1	6, 2	L	11, 14, 16				With Seats, 140 Inch Wheelbase, Rear
		1	2, 6	L	51, 54, 56				With Seats, 158 Inch Wheelbase, Rear
	05127784AA	1	2, 6	L	11, 14, 16				Without Seats, 158 Inch Wheelbase, Rear
		1	3, 7	L	16				Without Seats, 158 Inch Wheelbase, Rear
	05127806AA	1	2, 6	L	12, 15				Without Seats - 140 Inch Wheelbase, Rear
		1	3, 7	L	12, 15				Without Seats - 140 Inch Wheelbase, Rear
11	05122671AA	5	2, 6	L	12, 15				MOLDING, Cargo Area Carpet
		5	2, 6	L	52, 55				
		5	3, 7	L	12, 15				
12									FLOOR, Wooden

SPRINTER (VA)

SERIES

L = LOWLINE

LINE

3 = HD DODGE 2WD
 8 = HD DODGE 4WD
 6 = Lt. Duty DODGE 4WD
 2 = Med. Duty DODGE 2WD
 7 = Med. Duty DODGE 4WD
 4 = TRUCK

BODY

12 = Van 140"
 51 = Wagon 118"
 52 = Wagon 140"
 14 = Van 118"
 15 = Van 140"
 16 = Van 158"
 54 = Wagon 118"
 55 = Wagon 140"
 56 = Wagon 158"
 01 = Chassis Forward Control 118"
 02 = Chassis Forward Control 140"
 06 = Front Section 158"
 11 = Van 118"

ENGINE

EX8 = Engine - 2.7L I5
 Mercedes-Benz TD

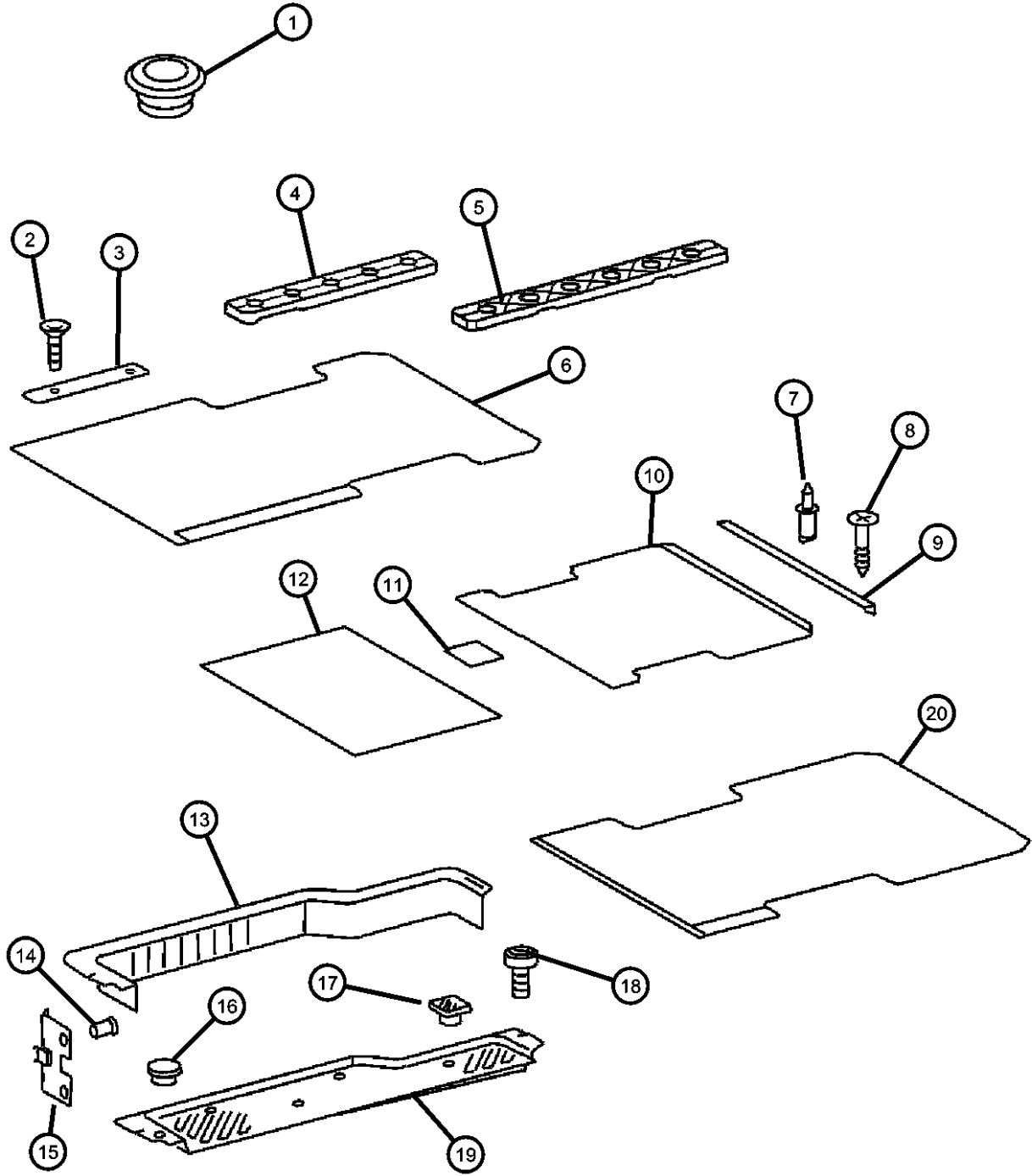
TRANSMISSION

DGJ = Transmission - 5-Spd Auto, MB

AR = use ase required - = Non illustrated part

2005 VA

Floor - Wooden
Figure IVA-330

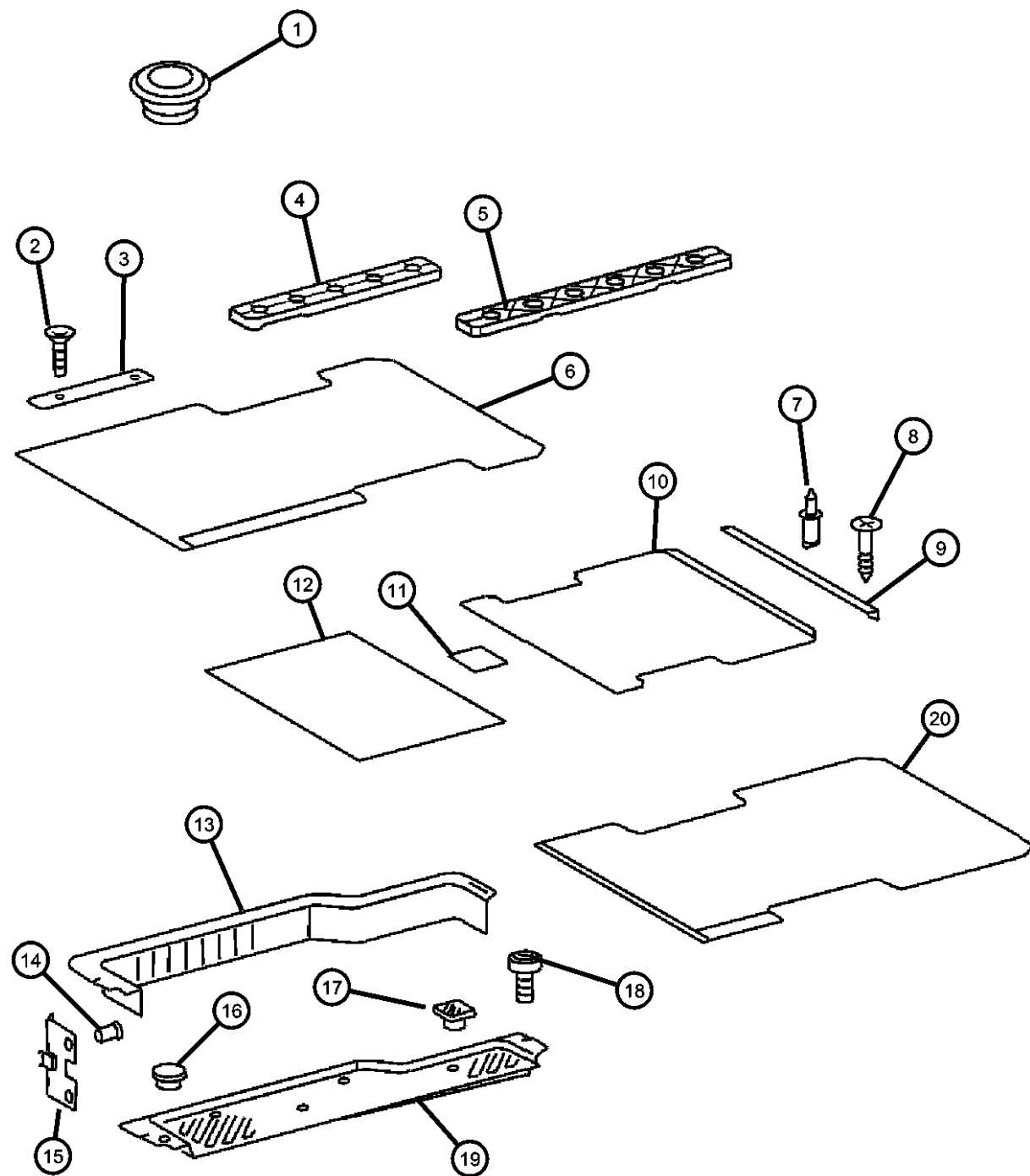


ITEM	PART NUMBER	QTY	LINE	SERIES	BODY	ENGINE	TRANS	TRIM	DESCRIPTION
	05122730AA	1	2, 6	L	12, 15				Without Seats 8 mm Thick, 140 & 158 Inch Wheelbase
	05122778AA	1	2, 6	L	12, 15				With Seats, 140 & 158 Inch Wheelbase
		1	3, 7	L	12, 15, 16				Without Seats 8 mm Thick, 140 & 158 Inch Wheelbase
		1	2, 6	L	52, 55				With Seats, 140 & 158 Inch Wheelbase
		1	3, 7	L	12, 15, 16				With Seats, 140 & 158 Inch Wheelbase
13	05131631AA	1	2, 6	L	11, 14				No Seat - Cargo - 118 Inch Wheelbase
	05122827AA	1	2, 6	L	11, 12, 14, 15, 16				PANEL, Sliding Door Trim
		1	2, 6	L	51, 52, 54, 55, 56				
		1	3, 7	L	12, 15, 16				
14	05134061AA	8	2, 6	L	11, 12, 14, 15, 16				RIVET
		8	2, 6	L	51, 52, 54, 55, 56				
		8	3, 7	L	12, 15, 16				
15	05125584AA	4	2, 6	L	11, 12, 14, 15, 16				CLIP, Floor Trim
		4	2, 6	L	51, 52, 54, 55, 56				
		4	3, 7	L	12, 15, 16				
16	05122808AA	1	2, 6	L	51, 52, 54, 55, 56				PLUG
		1	3, 7	L	12, 15, 16				
		1	2, 6	L	11, 12, 14, 15, 16				

SPRINTER (VA)

SERIES	LINE	BODY	ENGINE	TRANSMISSION
L = LOWLINE	3 = HD DODGE 2WD 8 = HD DODGE 4WD 6 = Lt. Duty DODGE 4WD 2 = Med. Duty DODGE 2WD 7 = Med. Duty DODGE 4WD 4 = TRUCK	12 = Van 140" 51 = Wagon 118" 52 = Wagon 140" 14 = Van 118" 15 = Van 140" 16 = Van 158" 54 = Wagon 118" 55 = Wagon 140" 56 = Wagon 158" 01 = Chassis Forward Control 118" 02 = Chassis Forward Control 140" 06 = Front Section 158" 11 = Van 118"	EX8 = Engine - 2.7L I5 Mercedes-Benz TD	DGJ = Transmission - 5-Spd Auto, MB

Floor - Wooden
Figure IVA-330



ITEM	PART NUMBER	QTY	LINE	SERIES	BODY	ENGINE	TRANS	TRIM	DESCRIPTION
17	05122811AA	4	2, 6	L	11, 12, 14, 15, 16				PLUG
		4	2, 6	L	51, 52, 54, 55, 56				
		4	3, 7	L	12, 15, 16				
18	06104142AA	2	2, 6	L	54, 55, 56, 51, 52				SCREW
		2	2, 6	L	01, 02, 06				
		2	2, 6	L	11, 12, 14, 15, 16				
		2	3, 7	L	12, 15, 16				
		2	3, 7	L	02, 06				
19	05122815AA	1	2, 6	L	11, 12, 14, 15, 16				PAD, Side Cargo Door Sill Entrance Sliding Door, Left
		1	2, 6	L	51, 52, 54, 55, 56				Entrance Sliding Door, Left
		1	3, 7	L	12, 15, 16				Entrance Sliding Door, Left
	05122816AA	1	2, 6	L	11, 12, 14, 15, 16				Entrance Sliding Door, Right
		1	2, 6	L	51, 52, 54, 55, 56				Entrance Sliding Door, Right
		1	3, 7	L	12, 15, 16				Entrance Sliding Door, Right
20	05127784AA	1	2, 6	L	11, 14, 16				FLOOR, Wooden Without Seats - 158 Inch Wheelbase
		1	3, 7	L	16				Without Seats - 158 Inch Wheelbase
	05122804AA	1	2, 6	L	14, 16, 11				With Seats - 158 Inch Wheelbase
		1	2, 6	L	51, 54, 56				With Seats - 158 Inch Wheelbase
-21									MOLDING, Cargo Area Carpet

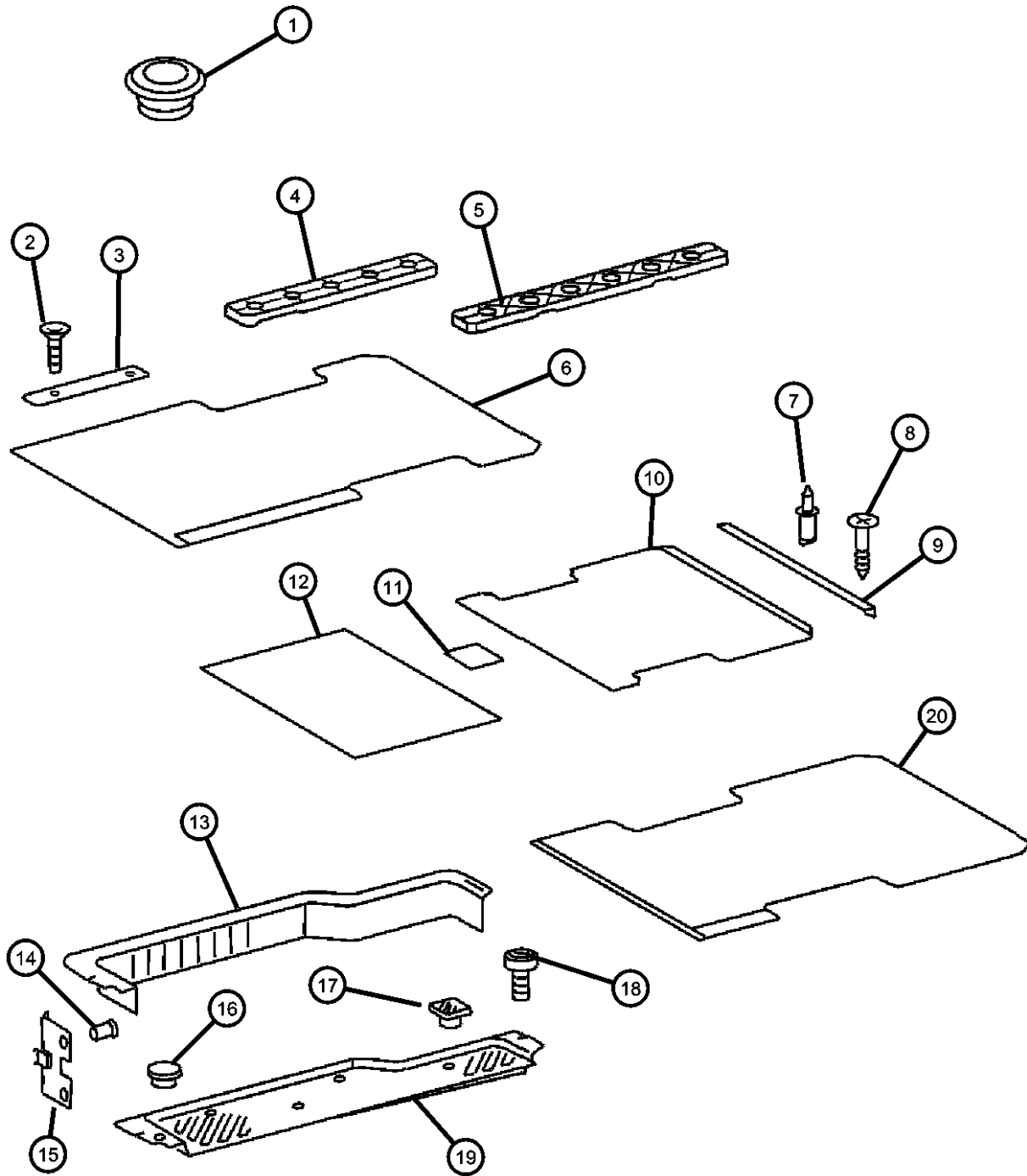
SPRINTER (VA)

SERIES	LINE	BODY	ENGINE	TRANSMISSION
L = LOWLINE	3 = HD DODGE 2WD 8 = HD DODGE 4WD 6 = Lt. Duty DODGE 4WD 2 = Med. Duty DODGE 2WD 7 = Med. Duty DODGE 4WD 4 = TRUCK	12 = Van 140" 51 = Wagon 118" 52 = Wagon 140" 14 = Van 118" 15 = Van 140" 16 = Van 158" 54 = Wagon 118" 55 = Wagon 140" 56 = Wagon 158" 01 = Chassis Forward Control 118" 02 = Chassis Forward Control 140" 06 = Front Section 158" 11 = Van 118"	EX8 = Engine - 2.7L I5 Mercedes-Benz TD	DGJ = Transmission - 5-Spd Auto, MB

AR = use ase required - = Non illustrated part

Floor - Wooden
Figure IVA-330

ITEM	PART NUMBER	QTY	LINE	SERIES	BODY	ENGINE	TRANS	TRIM	DESCRIPTION
------	-------------	-----	------	--------	------	--------	-------	------	-------------



	05121438AA	1	2, 6	L	11, 12, 14, 15, 16				Threshold For Partition Door
		1	3, 7	L	12, 15, 16				Threshold For Partition Door
-22	05131522AA	1	2, 6	L	11, 12, 14, 15, 16				MOLDING, Cargo Area Carpet For (UPS)
	05122670AA	1	2, 6	L	11, 12, 14, 15, 16				With Sliding Doors, Right & Left
		1	2, 6	L	51, 52, 54, 55, 56				With Sliding Doors, Right & Left
		1	3, 7	L	12, 15, 16				With Sliding Doors, Right & Left

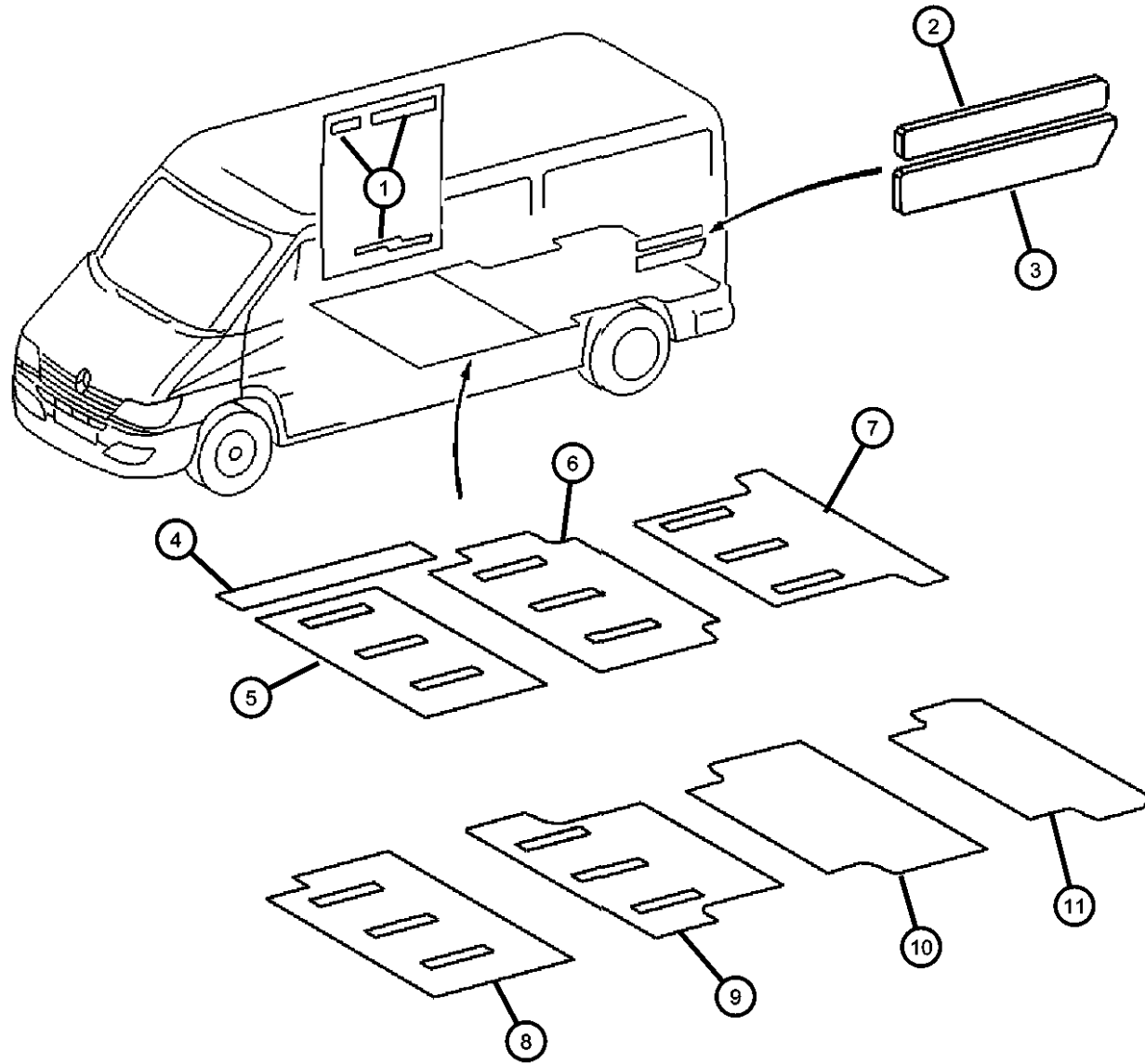
SPRINTER (VA)

SERIES	LINE	BODY	ENGINE	TRANSMISSION
L = LOWLINE	3 = HD DODGE 2WD 8 = HD DODGE 4WD 6 = Lt. Duty DODGE 4WD 2 = Med. Duty DODGE 2WD 7 = Med. Duty DODGE 4WD 4 = TRUCK	12 = Van 140" 51 = Wagon 118" 52 = Wagon 140" 14 = Van 118" 15 = Van 140" 16 = Van 158" 54 = Wagon 118" 55 = Wagon 140" 56 = Wagon 158"	EX8 = Engine - 2.7L I5 Mercedes-Benz TD	DGJ = Transmission - 5-Spd Auto, MB
		01 = Chassis Forward Control 118" 02 = Chassis Forward Control 140" 06 = Front Section 158" 11 = Van 118"		

AR = use ase required - = Non illustrated part

2005 VA

Insulation - Carpet
Figure IVA-340



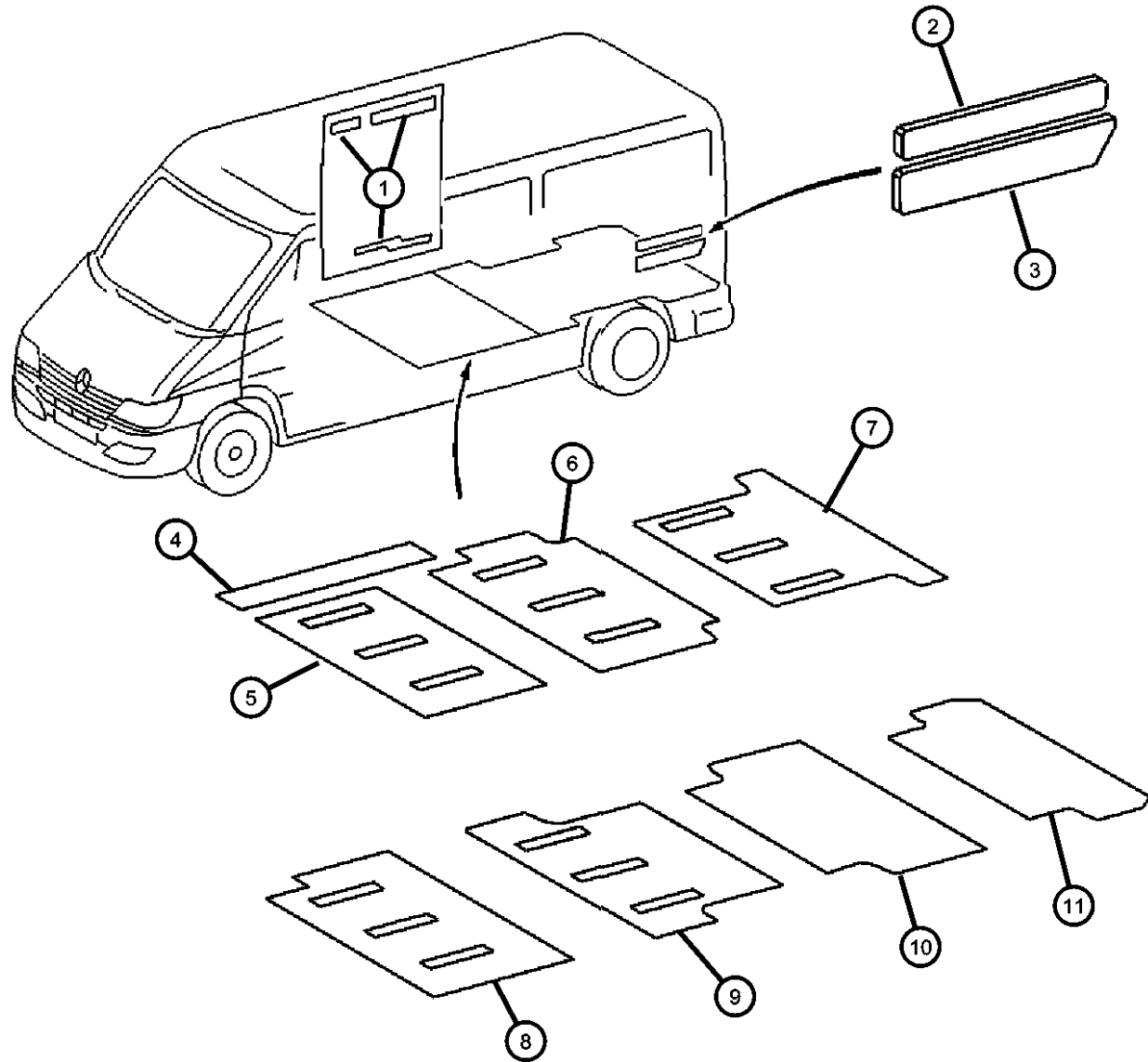
ITEM	PART NUMBER	QTY	LINE	SERIES	BODY	ENGINE	TRANS	TRIM	DESCRIPTION
1		1							INSULATION, NONE, SPRINTER, (NOT SERVICED),
2									INSULATION, Side Panel
	05131360AA	99	2, 6	L	51, 52, 54, 55, 56				
		99	3, 7	L	12, 15				
		99	2, 6	L	11, 12, 14, 15, 16				
3									INSULATION, Side Panel
	05122497AA	2	2, 6	L	11, 12, 14, 15, 16				[910x265x20mm]
		2	2, 6	L	51, 52, 54, 55, 56				[910x265x20mm]
	05122504AA	1	2, 6	L	12, 15				[910x265x20mm], Left
		1	2, 6	L	51, 54, 56				[910x265x20mm], Left
		1	2, 6	L	52, 55				[910x265x20mm], Left
		1	2, 6	L	56				[910x265x20mm], Left
		1	3, 7	L	16				[910x265x20mm], Left
		2	3, 7	L	12, 15, 16				[910x265x20mm]
	05122507AA	1	2, 6	L	11, 14, 16				[910x265x20mm], Left
		1	2, 6	L	16				[910x265x20mm], Right
		99	2, 6	L	52, 55				[910x265x20mm], Right
		1	2, 6	L	51, 54, 56				[910x265x20mm], Right
		1	3, 7	L	12, 15				[910x265x20mm], Left
		99	2, 6	L	12, 15				[910x265x20mm], Right
		1	2, 6	L	11, 14, 16				[910x265x20mm], Right
		1	3, 7	L	16				[910x265x20mm], Right
		1	3, 7	L	12, 15				[910x265x20mm], Right
4									INSULATION, Floor
	05133560AA	1	2, 6	L	11, 12, 14, 15, 16				

SPRINTER (VA)

SERIES	LINE	BODY	ENGINE	TRANSMISSION
L = LOWLINE	3 = HD DODGE 2WD 8 = HD DODGE 4WD 6 = Lt. Duty DODGE 4WD 2 = Med. Duty DODGE 2WD 7 = Med. Duty DODGE 4WD 4 = TRUCK	12 = Van 140" 51 = Wagon 118" 52 = Wagon 140" 14 = Van 118" 15 = Van 140" 16 = Van 158" 54 = Wagon 118" 55 = Wagon 140" 56 = Wagon 158" 01 = Chassis Forward Control 118" 02 = Chassis Forward Control 140" 06 = Front Section 158" 11 = Van 118"	EX8 = Engine - 2.7L I5 Mercedes-Benz TD	DGJ = Transmission - 5-Spd Auto, MB

AR = use ase required - = Non illustrated part

Insulation - Carpet
Figure IVA-340



ITEM	PART NUMBER	QTY	LINE	SERIES	BODY	ENGINE	TRANS	TRIM	DESCRIPTION
5	05122432AA	1	2, 6	L	51, 52, 54, 55, 56				INSULATION, Floor
		1	3, 7	L	12, 15, 16				
6	05122435AA	1	2, 6	L	11, 12, 14, 15, 16				INSULATION, Floor
		1	2, 6	L	51, 52, 54, 55, 56				
7	05122454AA	1	3, 7	L	12, 15				INSULATION, Floor
		1	2, 6	L	52, 55				
8	05122436AA	1	3, 7	L	12, 15				INSULATION, Floor
		1	2, 6	L	52, 55				
		1	2, 6	L	56				
9	05122455AA	1	3, 7	L	16				INSULATION, Floor
		1	2, 6	L	16				
		1	2, 6	L	56				
10	05122453AA	1	2, 6	L	12, 15				INSULATION, Floor
		1	2, 6	L	52, 55				
		1	3, 7	L	16				
11	05122453AA	1	2, 6	L	11, 14				INSULATION, Floor
		1	2, 6	L	51, 54				

SPRINTER (VA)

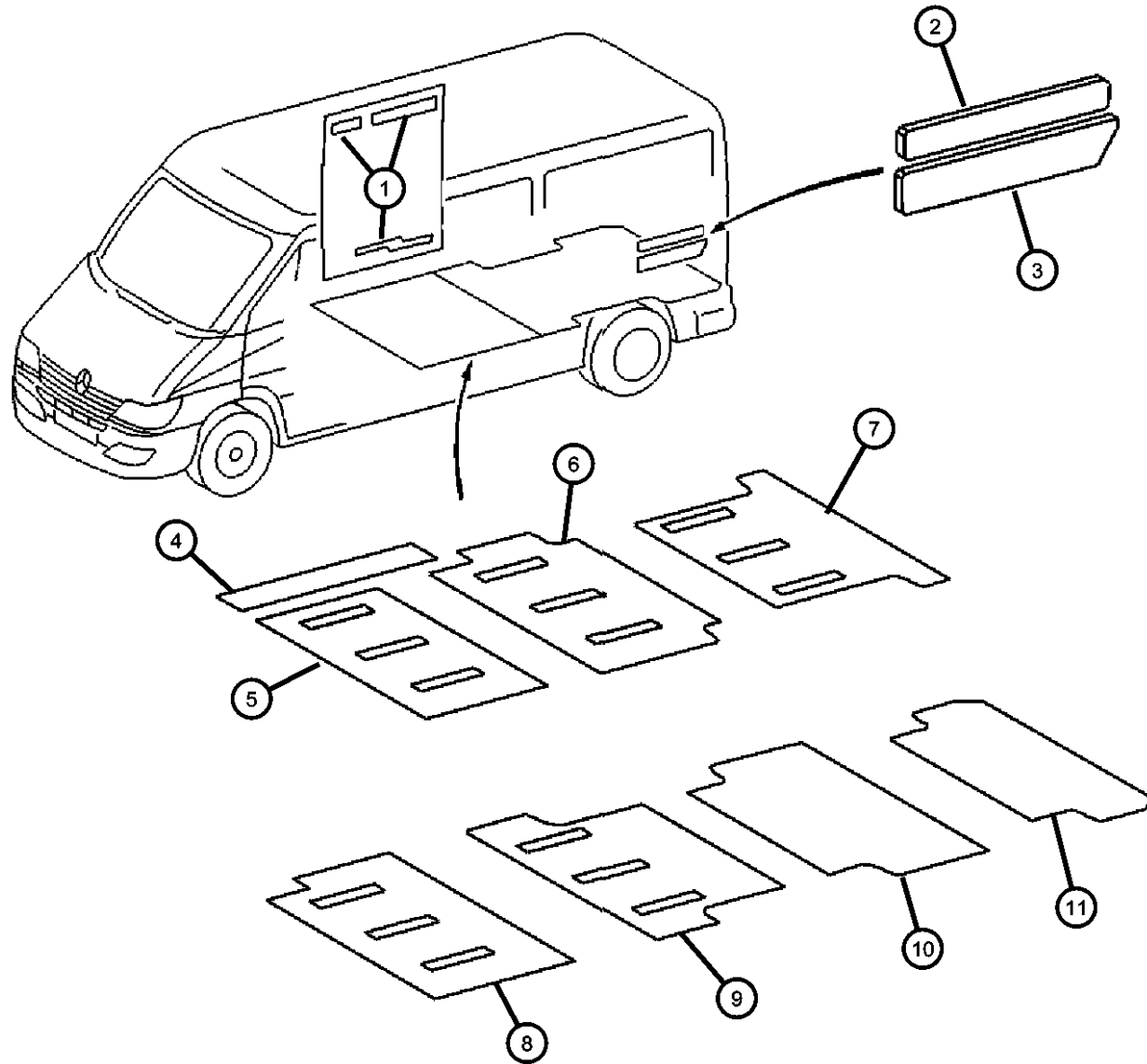
SERIES	LINE	BODY	ENGINE	TRANSMISSION
L = LOWLINE	3 = HD DODGE 2WD	12 = Van 140"	EX8 = Engine - 2.7L I5	DGJ = Transmission - 5-Spd Auto, MB
	8 = HD DODGE 4WD	51 = Wagon 118"	Mercedes-Benz TD	
	6 = Lt. Duty DODGE 4WD	52 = Wagon 140"		
	2 = Med. Duty DODGE 2WD	14 = Van 118"		
	7 = Med. Duty DODGE 4WD	15 = Van 140"		
	4 = TRUCK	16 = Van 158"		
		54 = Wagon 118"		
		55 = Wagon 140"		
		56 = Wagon 158"		
		01 = Chassis Forward Control		
		118"		
		02 = Chassis Forward Control		
		140"		
		06 = Front Section 158"		
		11 = Van 118"		

AR = use ase required - = Non illustrated part

2005 VA

Insulation - Carpet
Figure IVA-340

ITEM	PART NUMBER	QTY	LINE	SERIES	BODY	ENGINE	TRANS	TRIM	DESCRIPTION
	05122453AA	1	2, 6	L	11, 14				
		1	2, 6	L	51, 54				

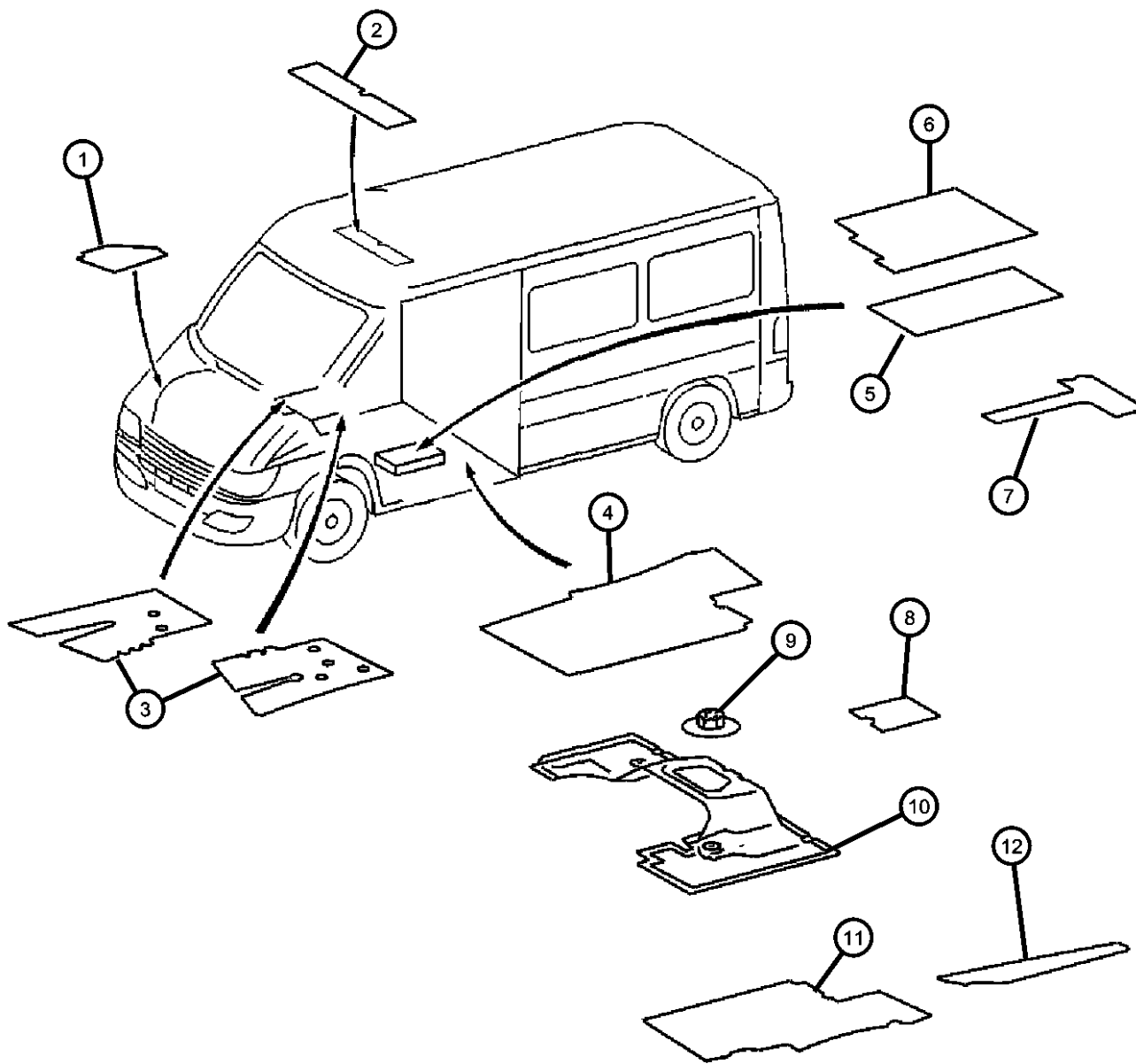


SPRINTER (VA)

SERIES	LINE	BODY	ENGINE	TRANSMISSION
L = LOWLINE	3 = HD DODGE 2WD	12 = Van 140"	EX8 = Engine - 2.7L I5	DGJ = Transmission - 5-Spd Auto, MB
	8 = HD DODGE 4WD	51 = Wagon 118"	Mercedes-Benz TD	
	6 = Lt. Duty DODGE 4WD	52 = Wagon 140"		
	2 = Med. Duty DODGE 2WD	14 = Van 118"		
	7 = Med. Duty DODGE 4WD	15 = Van 140"		
	4 = TRUCK	16 = Van 158"		
		54 = Wagon 118"		
		55 = Wagon 140"		
		56 = Wagon 158"		
		01 = Chassis Forward Control		
		118"		
		02 = Chassis Forward Control		
		140"		
		06 = Front Section 158"		
		11 = Van 118"		

AR = use ase required - = Non illustrated part

Insulation Floor
Figure IVA-350



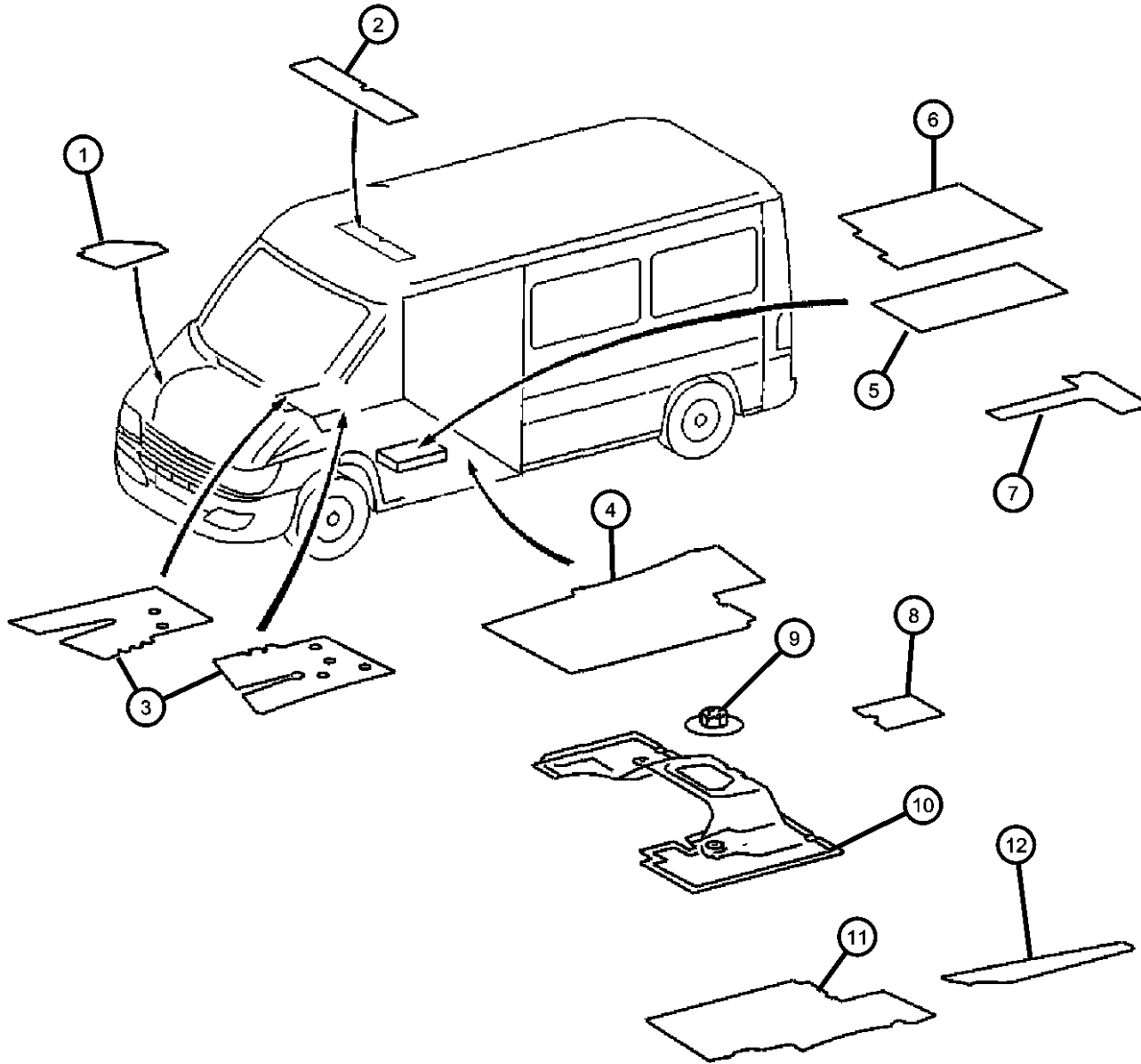
ITEM	PART NUMBER	QTY	LINE	SERIES	BODY	ENGINE	TRANS	TRIM	DESCRIPTION
1									SILENCER, Wheelhouse
	05122469AA	1	2, 6	L	01, 02, 06				Inside, Right
		1	2, 6	L	11, 12, 14, 15, 16				Inside, Right
		1	2, 6	L	51, 52, 54, 55, 56				Inside, Right
	05122468AA	1	3, 7	L	02, 06				Inside, Right
		1	2, 6	L	01, 02, 06				Inside, Left
		1	2, 6	L	11, 12, 14, 15, 16				Inside, Left
		1	2, 6	L	51, 52, 54, 55, 56				Inside, Left
		1	3, 7	L	02, 06				Inside, Left
		1	3, 7	L	12, 15, 16				Inside, Left
		1	3, 7	L	12, 15, 16				Inside, Right
2									INSULATION, Roof Headliner
	05122541AA	1	2, 6	L	01, 02, 06				
		1	2, 6	L	11, 12, 14, 15, 16				
		1	2, 6	L	51, 52, 54, 55, 56				
		1	3, 7	L	02, 06				
		1	3, 7	L	12, 15, 16				
3		1							INSULATION, NONE, SPRINTER, Engine Room, (NOT SERVICED)
4									INSULATION, Floor
	05122482AA	1	3, 7	L	02, 06				
		1	3, 7	L	12, 15, 16				
		1	2, 6	L	01, 02, 06				
		1	2, 6	L	11, 12, 14, 15, 16				
		1	2, 6	L	51, 52, 54, 55, 56				

SPRINTER (VA)

SERIES	LINE	BODY	ENGINE	TRANSMISSION
L = LOWLINE	3 = HD DODGE 2WD 8 = HD DODGE 4WD 6 = Lt. Duty DODGE 4WD 2 = Med. Duty DODGE 2WD 7 = Med. Duty DODGE 4WD 4 = TRUCK	12 = Van 140" 51 = Wagon 118" 52 = Wagon 140" 14 = Van 118" 15 = Van 140" 16 = Van 158" 54 = Wagon 118" 55 = Wagon 140" 56 = Wagon 158" 01 = Chassis Forward Control 118" 02 = Chassis Forward Control 140" 06 = Front Section 158" 11 = Van 118"	EX8 = Engine - 2.7L I5 Mercedes-Benz TD	DGJ = Transmission - 5-Spd Auto, MB

AR = use ase required - = Non illustrated part

**Insulation Floor
Figure IVA-350**



ITEM	PART NUMBER	QTY	LINE	SERIES	BODY	ENGINE	TRANS	TRIM	DESCRIPTION
5		1							INSULATION, NONE, SPRINTER, (NOT SERVICED)
6	05122535AA	1	2, 6	L	01, 02, 06				INSULATION, Floor
		1	2, 6	L	11, 12, 14, 15, 16				
		1	2, 6	L	51, 52, 54, 55, 56				
		1	3, 7	L	02, 06				
		1	3, 7	L	12, 15, 16				
7	05122471AA	1	2, 6	L	01, 02, 06				INSULATION, Floor
		1	2, 6	L	11, 12, 14, 15, 16				
		1	2, 6	L	51, 52, 54, 55, 56				
		1	3, 7	L	02, 06				
		1	3, 7	L	12, 15, 16				
8	05122473AA	2	2, 6	L	01, 02, 06				INSULATION, Floor
		2	2, 6	L	11, 12, 14, 15, 16				
		2	2, 6	L	51, 52, 54, 55, 56				
		2	3, 7	L	02, 06				
		2	3, 7	L	12, 15, 16				
9	05125593AA	1	3, 7	L	02, 06				FASTENER, Buttonhead
		1	3, 7	L	12, 15, 16				
		1	2, 6	L	01, 02, 06				
		1	2, 6	L	11, 12, 14, 15, 16				

SPRINTER (VA)

SERIES

L = LOWLINE

LINE

3 = HD DODGE 2WD
 8 = HD DODGE 4WD
 6 = Lt. Duty DODGE 4WD
 2 = Med. Duty DODGE 2WD
 7 = Med. Duty DODGE 4WD
 4 = TRUCK

BODY

12 = Van 140"
 51 = Wagon 118"
 52 = Wagon 140"
 14 = Van 118"
 15 = Van 140"
 16 = Van 158"
 54 = Wagon 118"
 55 = Wagon 140"
 56 = Wagon 158"
 01 = Chassis Forward Control
 118"
 02 = Chassis Forward Control
 140"
 06 = Front Section 158"
 11 = Van 118"

ENGINE

EX8 = Engine - 2.7L I5
 Mercedes-Benz TD

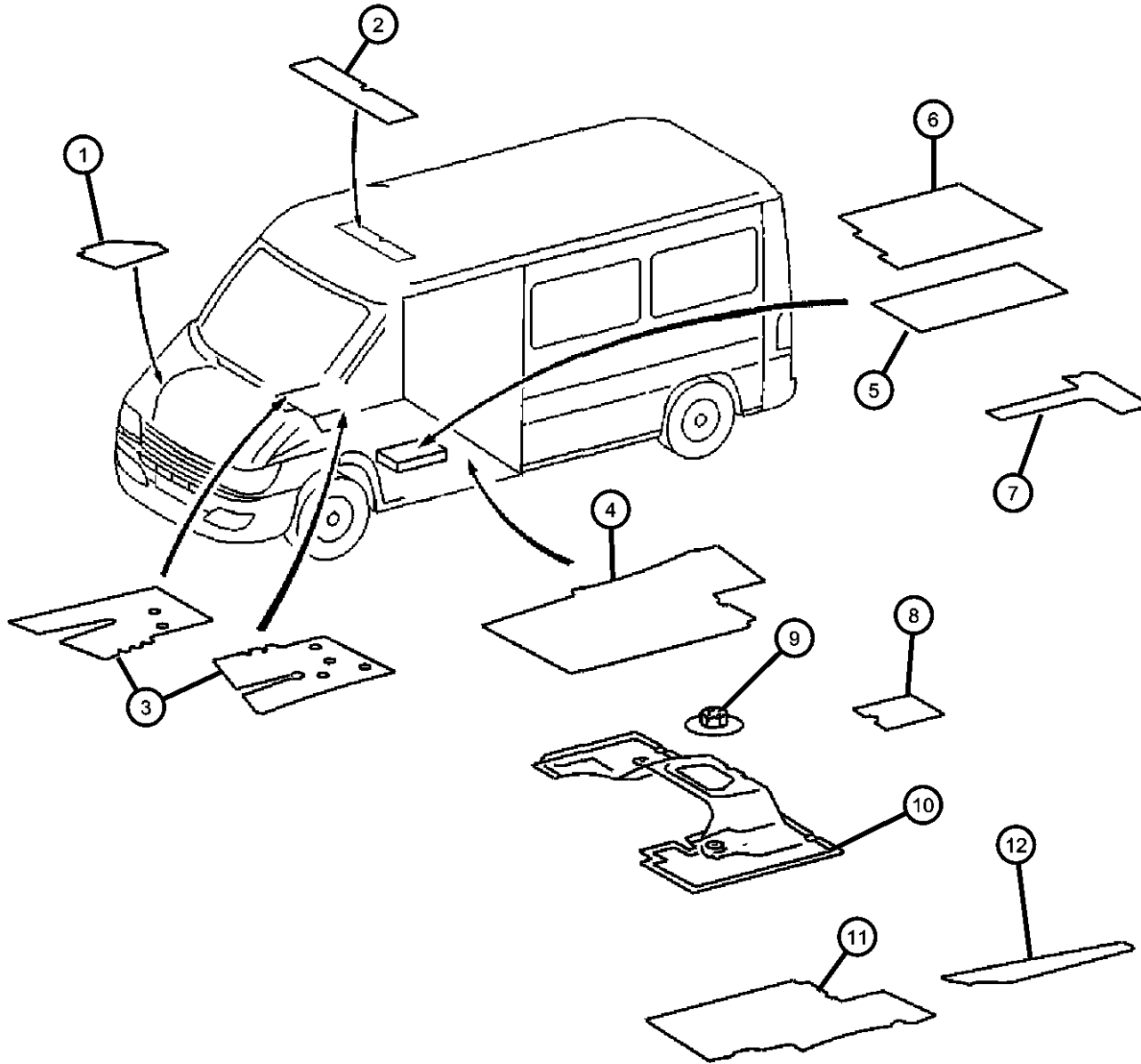
TRANSMISSION

DGJ = Transmission - 5-Spd Auto, MB

AR = use ase required - = Non illustrated part

2005 VA

Insulation Floor
Figure IVA-350



ITEM	PART NUMBER	QTY	LINE	SERIES	BODY	ENGINE	TRANS	TRIM	DESCRIPTION
		1	2, 6	L	51, 52, 54, 55, 56				INSULATION, Floor
10	05122476AA	1	2, 6	L	01, 02, 06				
		1	2, 6	L	11, 12, 14, 15, 16				
		1	2, 6	L	51, 52, 54, 55, 56				
		1	3, 7	L	02, 06				
		1	3, 7	L	12, 15, 16				INSULATION, Floor
11	05122478AA	1	2, 6	L	01, 02, 06				
		1	2, 6	L	11, 12, 14, 15, 16				
		1	2, 6	L	51, 52, 54, 55, 56				
		1	3, 7	L	02, 06				
		1	3, 7	L	12, 15, 16				INSULATION, Floor
12	05122466AA	1	2, 6	L	51, 52, 54, 55, 56				
		1	3, 7	L	02, 06				
		1	2, 6	L	01, 02, 06				
		1	2, 6	L	11, 12, 14, 15, 16				
		1	3, 7	L	12, 15, 16				INSULATION, Floor
-13	05122467AA	1	2, 6	L	01, 02, 06				Entrance, Inside, Right
		1	2, 6	L	11, 12, 14, 15, 16				Entrance, Inside, Right
		1	2, 6	L	51, 52, 54, 55, 56				Entrance, Inside, Right
		1	3, 7	L	02, 06				Entrance, Inside, Right

SPRINTER (VA)

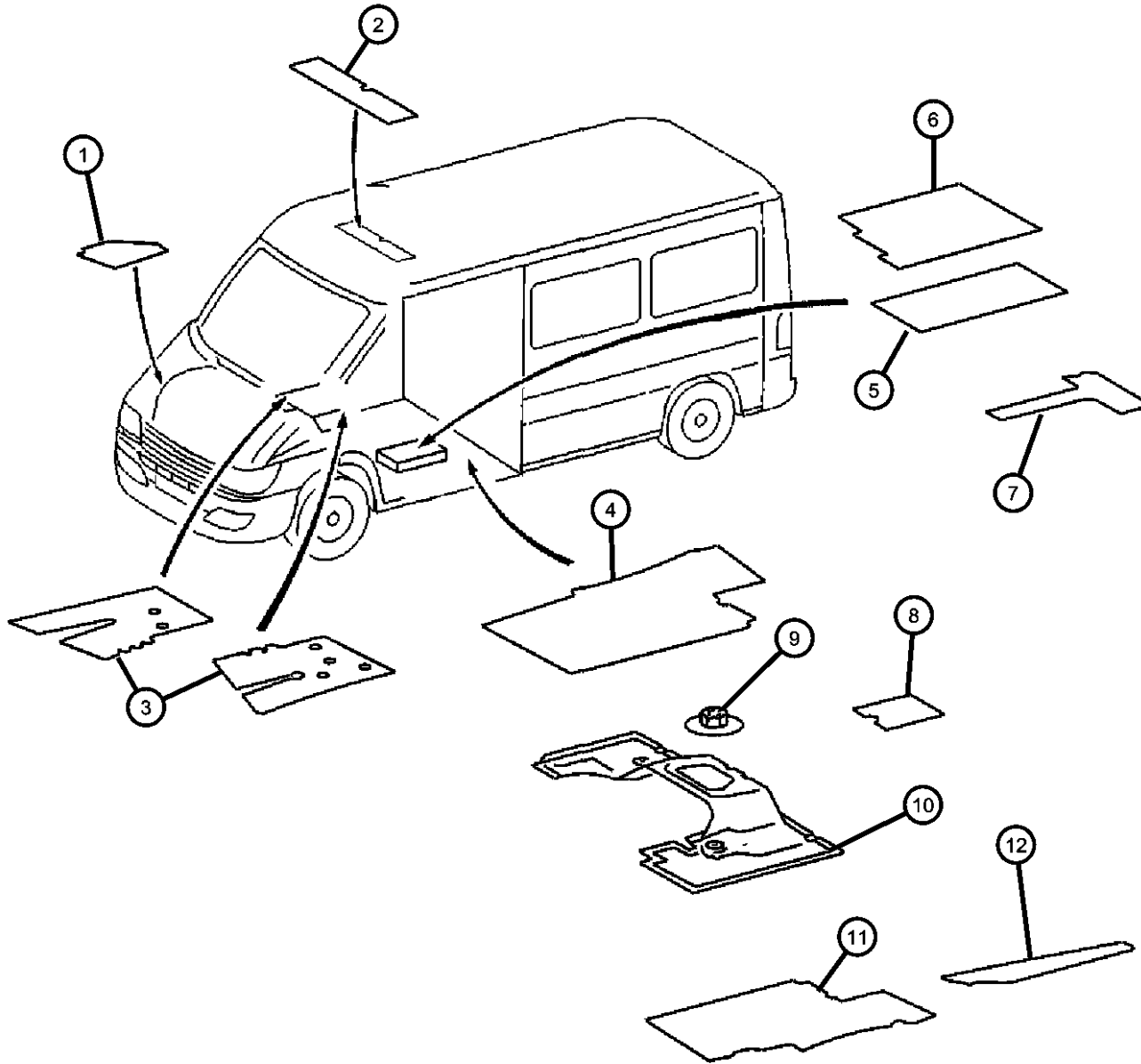
SERIES	LINE	BODY	ENGINE	TRANSMISSION
L = LOWLINE	3 = HD DODGE 2WD	12 = Van 140"	EX8 = Engine - 2.7L I5	DGJ = Transmission - 5-Spd Auto, MB
	8 = HD DODGE 4WD	51 = Wagon 118"	Mercedes-Benz TD	
	6 = Lt. Duty DODGE 4WD	52 = Wagon 140"		
	2 = Med. Duty DODGE 2WD	14 = Van 118"		
	7 = Med. Duty DODGE 4WD	15 = Van 140"		
	4 = TRUCK	16 = Van 158"		
		54 = Wagon 118"		
		55 = Wagon 140"		
		56 = Wagon 158"		
		01 = Chassis Forward Control 118"		
		02 = Chassis Forward Control 140"		
		06 = Front Section 158"		
		11 = Van 118"		

AR = use ase required - = Non illustrated part

Insulation Floor
Figure IVA-350

ITEM	PART NUMBER	QTY	LINE	SERIES	BODY	ENGINE	TRANS	TRIM	DESCRIPTION
------	-------------	-----	------	--------	------	--------	-------	------	-------------

-14		1	3, 7	L	12, 15, 16				Entrance, Inside, Right INSULATION, Floor
	05122470AA	1	2, 6	L	01, 02, 06				Seat Box, Right
		1	2, 6	L	11, 12, 14, 15, 16				Seat Box, Right
		1	2, 6	L	51, 52, 54, 55, 56				Seat Box, Right
		1	3, 7	L	02, 06				Seat Box, Right
		1	3, 7	L	12, 15, 16				Seat Box, Right



SPRINTER (VA)

SERIES

L = LOWLINE

LINE

3 = HD DODGE 2WD
8 = HD DODGE 4WD
6 = Lt. Duty DODGE 4WD
2 = Med. Duty DODGE 2WD
7 = Med. Duty DODGE 4WD
4 = TRUCK

BODY

12 = Van 140"
51 = Wagon 118"
52 = Wagon 140"
14 = Van 118"
15 = Van 140"
16 = Van 158"
54 = Wagon 118"
55 = Wagon 140"
56 = Wagon 158"
01 = Chassis Forward Control
118"
02 = Chassis Forward Control
140"
06 = Front Section 158"
11 = Van 118"

ENGINE

EX8 = Engine - 2.7L I5
Mercedes-Benz TD

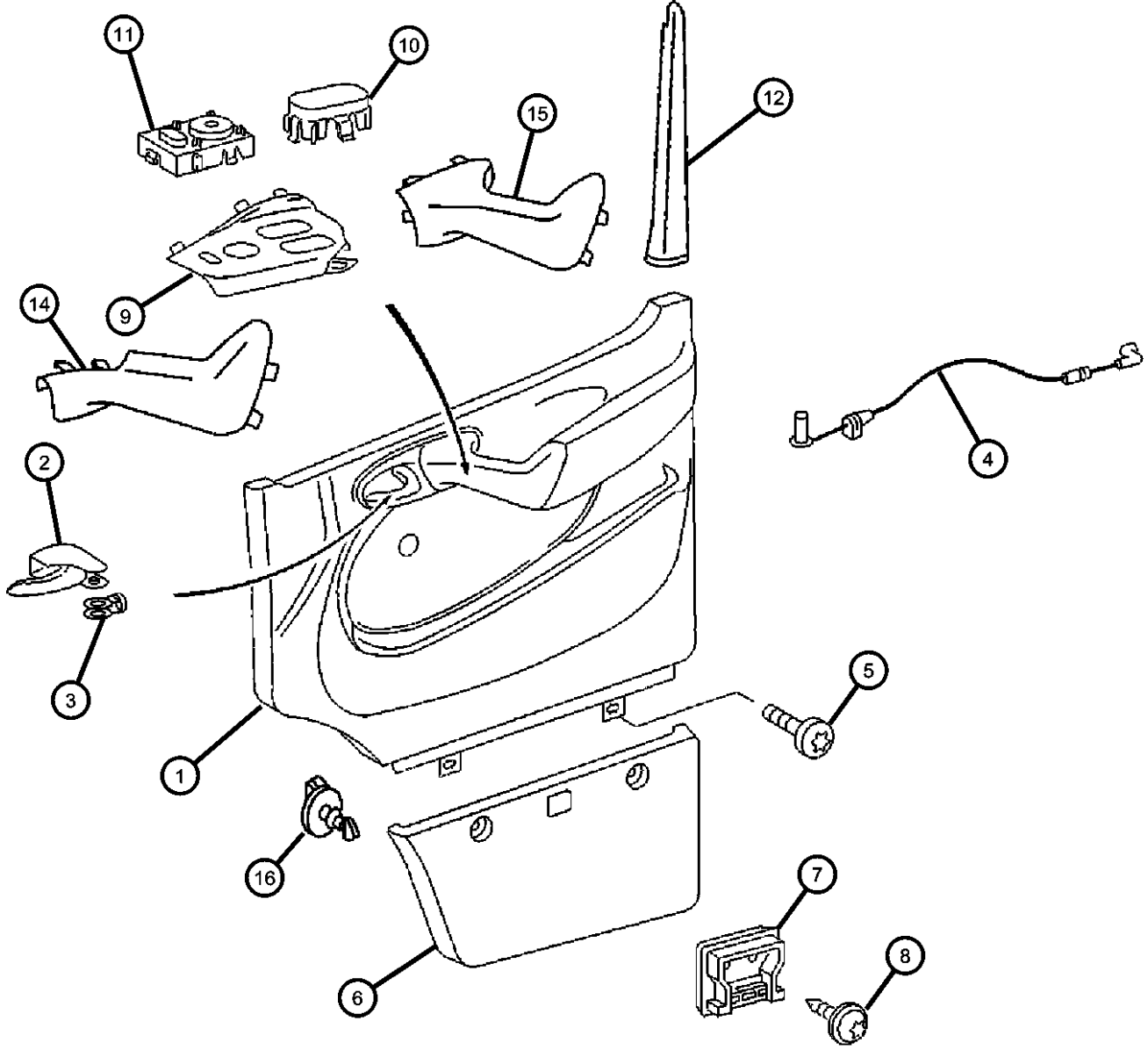
TRANSMISSION

DGJ = Transmission - 5-Spd Auto, MB

AR = use ase required - = Non illustrated part

2005 VA

Front Door Trim
Figure IVA-410



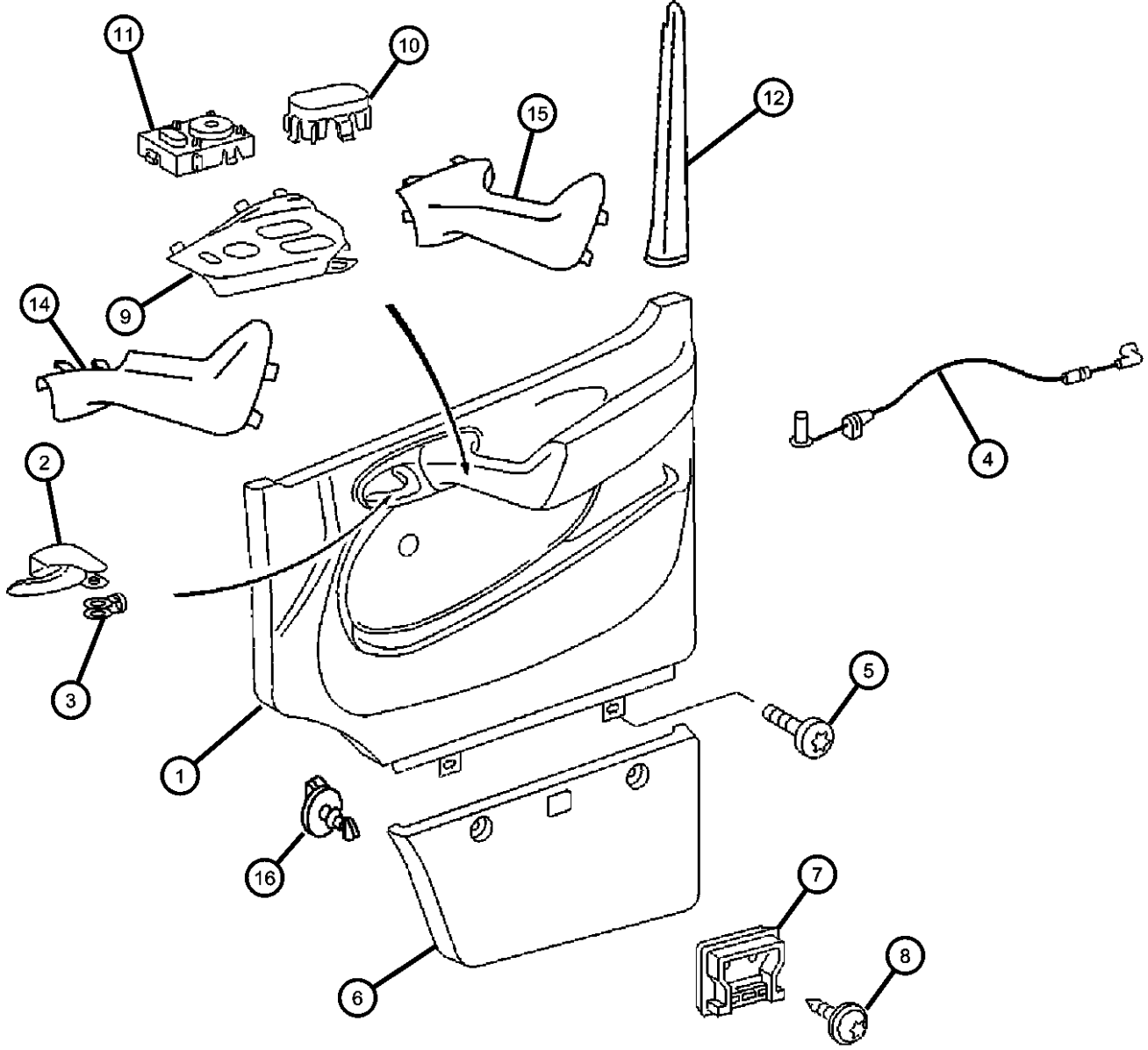
ITEM	PART NUMBER	QTY	LINE	SERIES	BODY	ENGINE	TRANS	TRIM	DESCRIPTION
1									PANEL, Front Door Trim
	05104340AA	1	2, 6	L	01, 02, 06				Without [JPA] Power Windows, Left
		1	2, 6	L	11, 12, 14, 15, 16				Without [JPA] Power Windows, Left
		1	2, 6	L	51, 52, 54, 55, 56				Without [JPA] Power Windows, Left
		1	3, 7	L	02, 06				Without [JPA] Power Windows, Left
		1	3, 7	L	12, 15, 16				Without [JPA] Power Windows, Left
	05104344AA	1	2, 6	L	01, 02, 06				Without [JPA] Power Windows, Right
		1	2, 6	L	11, 12, 14, 15, 16				Without [JPA] Power Windows, Right
		1	2, 6	L	51, 52, 54, 55, 56				Without [JPA] Power Windows, Right
		1	3, 7	L	02, 06				Without [JPA] Power Windows, Right
		1	3, 7	L	12, 15, 16				Without [JPA] Power Windows, Right
	05123742AA	1	2, 6	L	01, 02, 06				With [JPA] Power Windows, Left
		1	2, 6	L	11, 12, 14, 15, 16				With [JPA] Power Windows, Left
		1	2, 6	L	51, 52, 54, 55, 56				With [JPA] Power Windows, Left
		1	3, 7	L	12, 15, 16				With [JPA] Power Windows, Left
	05123747AA	1	2, 6	L	01, 02, 06				With [JPA] Power Windows, Right
		1	2, 6	L	11, 12, 14, 15, 16				With [JPA] Power Windows, Right
		1	2, 6	L	51, 52, 54, 55, 56				With [JPA] Power Windows, Right
		1	3, 7	L	02, 06				With [JPA] Power Windows, Right
		1	3, 7	L	12, 15, 16				With [JPA] Power Windows, Right
		1	3, 7	L	02, 06				With [JPA] Power Windows, Left

SPRINTER (VA)

SERIES	LINE	BODY	ENGINE	TRANSMISSION
L = LOWLINE	3 = HD DODGE 2WD 8 = HD DODGE 4WD 6 = Lt. Duty DODGE 4WD 2 = Med. Duty DODGE 2WD 7 = Med. Duty DODGE 4WD 4 = TRUCK	12 = Van 140" 51 = Wagon 118" 52 = Wagon 140" 14 = Van 118" 15 = Van 140" 16 = Van 158" 54 = Wagon 118" 55 = Wagon 140" 56 = Wagon 158" 01 = Chassis Forward Control 118" 02 = Chassis Forward Control 140" 06 = Front Section 158" 11 = Van 118"	EX8 = Engine - 2.7L I5 Mercedes-Benz TD	DGJ = Transmission - 5-Spd Auto, MB

AR = use ase required - = Non illustrated part

Front Door Trim
Figure IVA-410



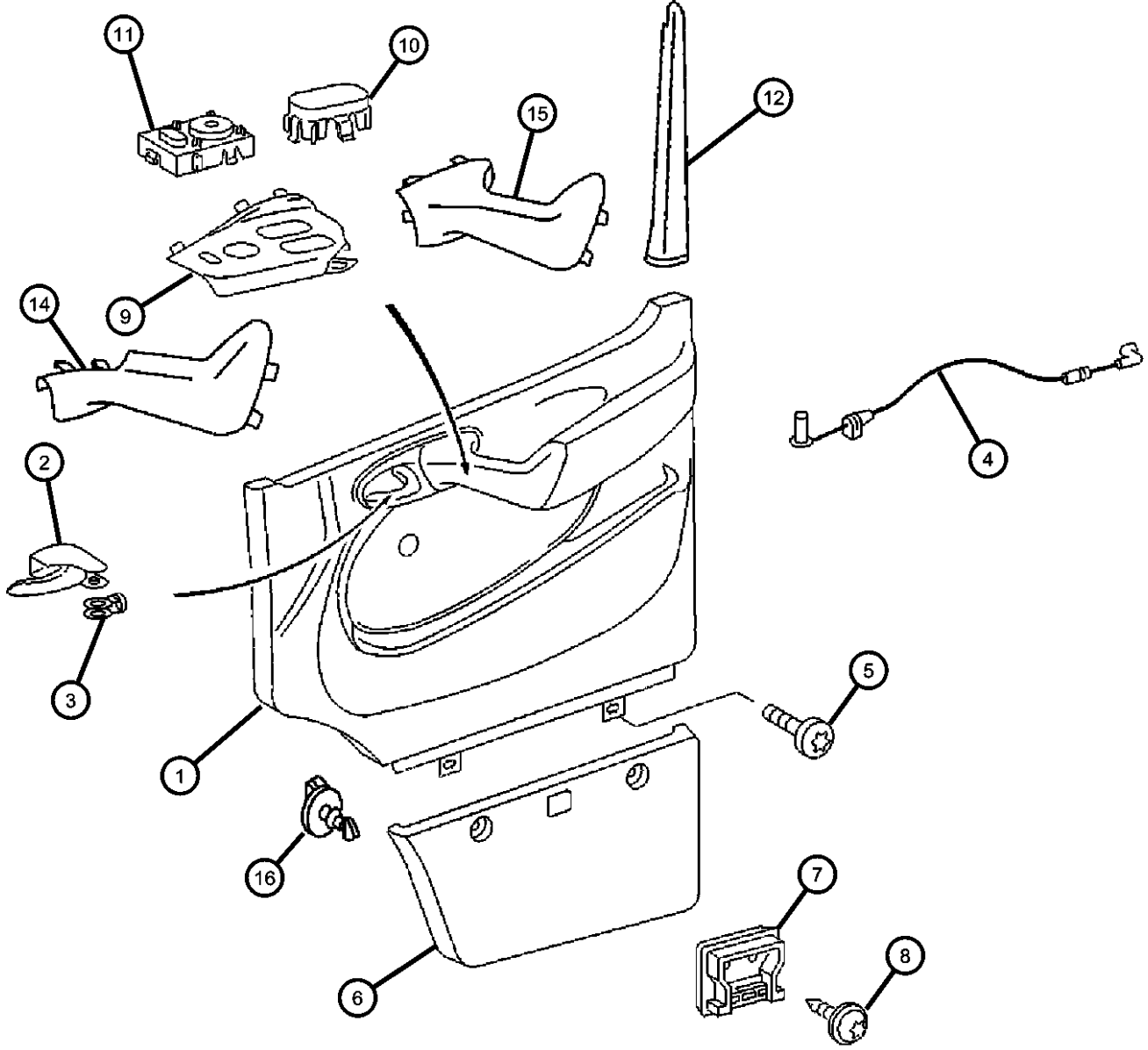
ITEM	PART NUMBER	QTY	LINE	SERIES	BODY	ENGINE	TRANS	TRIM	DESCRIPTION
2									HANDLE, Door Interior
	05123788AA	1	2, 6	L	01, 02, 06				Pull Handle, Right
		1	2, 6	L	11, 12, 14, 15, 16				Pull Handle, Right
		1	2, 6	L	51, 52, 54, 55, 56				Pull Handle, Right
	05123789AA	1	3, 7	L	12, 15, 16				Pull Handle, Right
		1	2, 6	L	01, 02, 06				Pull Handle, Left
		1	2, 6	L	11, 12, 14, 15, 16				Pull Handle, Left
		1	2, 6	L	51, 52, 54, 55, 56				Pull Handle, Left
		1	3, 7	L	02, 06				Pull Handle, Left
	05133515AA	1	3, 7	L	02, 06				Pull Handle, Right
		1	2, 6	L	01, 02, 06				Right
		1	2, 6	L	11, 12, 14, 15, 16				Right
		1	2, 6	L	51, 52, 54, 55, 56				Right
		1	3, 7	L	02, 06				Right
		1	3, 7	L	12, 15, 16				Right
	05133988AA	1	2, 6	L	01, 02, 06				Left
		1	2, 6	L	11, 12, 14, 15, 16				Left
		1	2, 6	L	51, 52, 54, 55, 56				Left
		1	3, 7	L	02, 06				Left
		1	3, 7	L	12, 15, 16				Left
		1	3, 7	L	12, 15, 16				Pull Handle, Left
3									CLIP, Door Trim
	05133516AA	1	3, 7	L	02, 06				Right
		1	3, 7	L	12, 15, 16				Right

SPRINTER (VA)

SERIES	LINE	BODY	ENGINE	TRANSMISSION
L = LOWLINE	3 = HD DODGE 2WD 8 = HD DODGE 4WD 6 = Lt. Duty DODGE 4WD 2 = Med. Duty DODGE 2WD 7 = Med. Duty DODGE 4WD 4 = TRUCK	12 = Van 140" 51 = Wagon 118" 52 = Wagon 140" 14 = Van 118" 15 = Van 140" 16 = Van 158" 54 = Wagon 118" 55 = Wagon 140" 56 = Wagon 158" 01 = Chassis Forward Control 118" 02 = Chassis Forward Control 140" 06 = Front Section 158" 11 = Van 118"	EX8 = Engine - 2.7L I5 Mercedes-Benz TD	DGJ = Transmission - 5-Spd Auto, MB

AR = use ase required - = Non illustrated part

Front Door Trim
Figure IVA-410

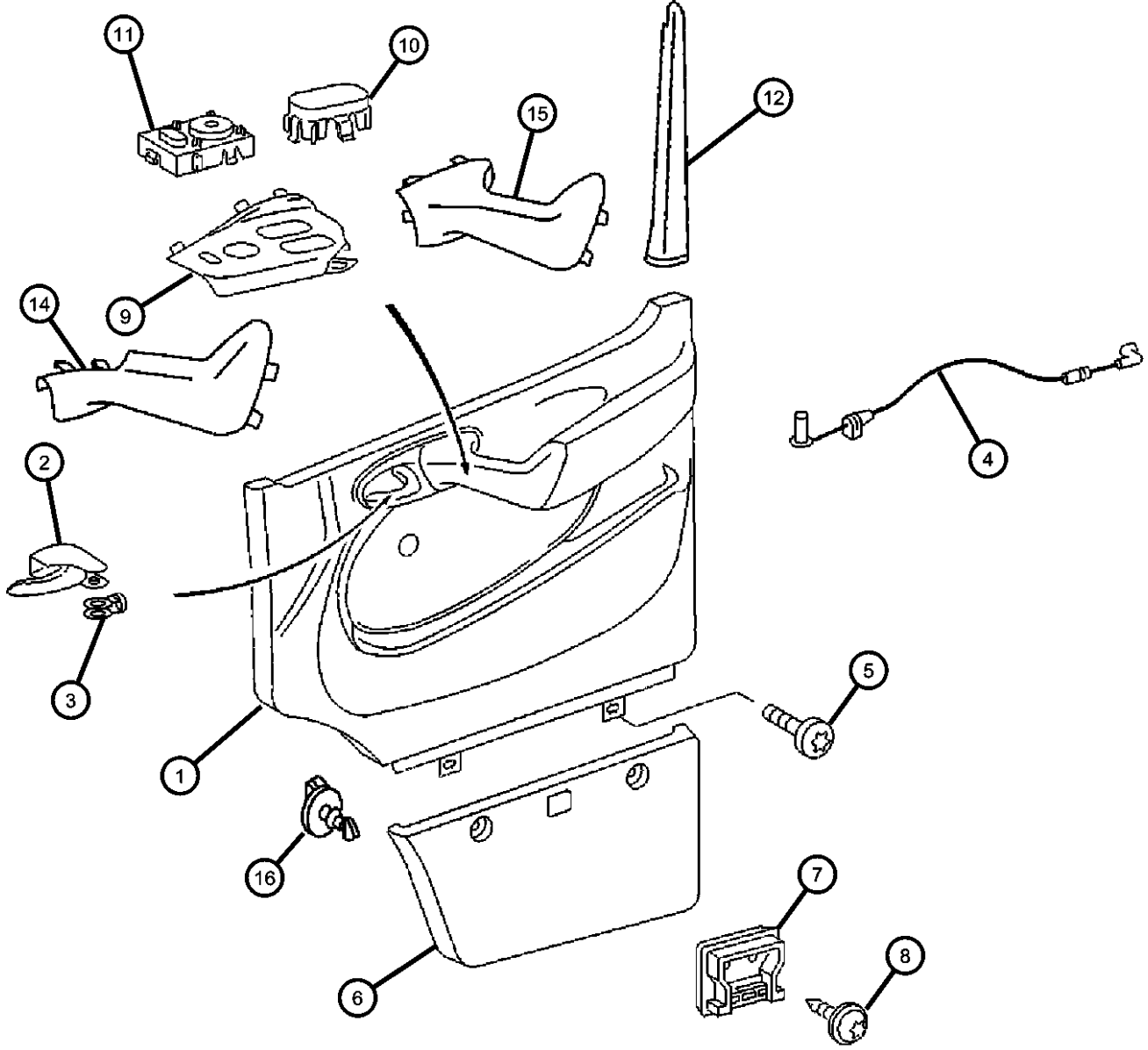


ITEM	PART NUMBER	QTY	LINE	SERIES	BODY	ENGINE	TRANS	TRIM	DESCRIPTION
	05133989AA	1	2, 6	L	01, 02, 06				Left
		1	2, 6	L	11, 12, 14, 15, 16				Left
		1	2, 6	L	51, 52, 54, 55, 56				Left
		1	3, 7	L	02, 06				Left
		1	3, 7	L	12, 15, 16				Left
		1	2, 6	L	01, 02, 06				Right
		1	2, 6	L	11, 12, 14, 15, 16				Right
		1	2, 6	L	51, 52, 54, 55, 56				Right
4									LINK, Door Latch
	05124068AA	1	2, 6	L	01, 02, 06				Left
		1	2, 6	L	11, 12, 14, 15, 16				Left
		1	2, 6	L	51, 52, 54, 55, 56				Left
	05124069AA	1	2, 6	L	51, 52, 54, 55, 56				Right
		1	3, 7	L	12, 15, 16				Right
		1	3, 7	L	12, 15, 16				Left
		1	2, 6	L	01, 02, 06				Right
		1	2, 6	L	11, 12, 14, 15, 16				Right
5									SCREW
	06104142AA	2	2, 6	L	01, 02, 06				
		2	2, 6	L	11, 12, 14, 15, 16				
		2	2, 6	L	51, 52, 54, 55, 56				
		2	3, 7	L	02, 06				
		2	3, 7	L	12, 15, 16				

SPRINTER (VA)
 SERIES LINE BODY ENGINE TRANSMISSION
 L = LOWLINE 3 = HD DODGE 2WD 12 = Van 140" EX8 = Engine - 2.7L I5 DGJ = Transmission - 5-Spd Auto, MB
 8 = HD DODGE 4WD 51 = Wagon 118" Mercedes-Benz TD
 6 = Lt. Duty DODGE 4WD 52 = Wagon 140"
 2 = Med. Duty DODGE 2WD 14 = Van 118"
 7 = Med. Duty DODGE 4WD 15 = Van 140"
 4 = TRUCK 16 = Van 158"
 54 = Wagon 118"
 55 = Wagon 140"
 56 = Wagon 158"
 01 = Chassis Forward Control 118"
 02 = Chassis Forward Control 140"
 06 = Front Section 158"
 11 = Van 118"

AR = use ase required - = Non illustrated part

Front Door Trim
Figure IVA-410



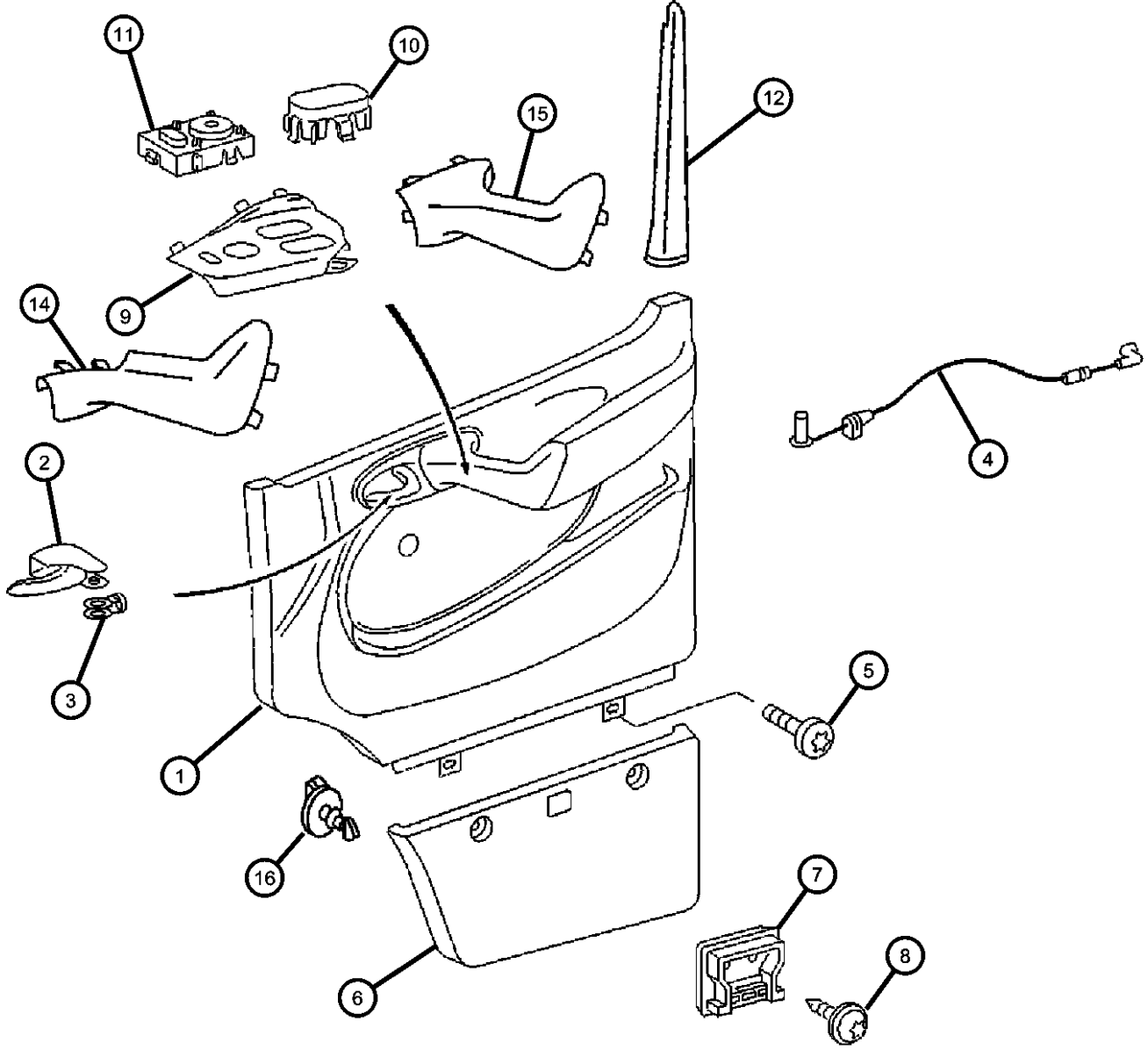
ITEM	PART NUMBER	QTY	LINE	SERIES	BODY	ENGINE	TRANS	TRIM	DESCRIPTION
6	05104325AA	1	2, 6	L	11, 12, 14, 15, 16				COVER, Door Panel Left
		1	2, 6	L	51, 52, 54, 55, 56				Left
		1	3, 7	L	12, 15, 16				Left
	05114499AA	1							Right
7	05123763AA	2	2, 6	L	11, 12, 14, 15, 16				BEZEL, Door Trim Panel
		2	2, 6	L	51, 52, 54, 55, 56				
		2	3, 7	L	12, 15, 16				
8	06104567AA	4	2, 6	L	01, 02, 06				SCREW
		4	3, 7	L	02, 06				
		4	3, 7	L	12, 15, 16				
		4	2, 6	L	11, 12, 14, 15, 16				
		4	2, 6	L	51, 52, 54, 55, 56				
9	05123790AA	1	2, 6	L	01, 02, 06				BEZEL, Power Window/Door Lock Switch Left
		1	2, 6	L	11, 12, 14, 15, 16				Left
		1	3, 7	L	12, 15, 16				Left
	05123791AA	1	2, 6	L	01, 02, 06				Right
		1	2, 6	L	11, 12, 14, 15, 16				Right
		1	2, 6	L	51, 52, 54, 55, 56				Right
		1	2, 6	L	51, 52, 54, 55, 56				Left

SPRINTER (VA)

SERIES	LINE	BODY	ENGINE	TRANSMISSION
L = LOWLINE	3 = HD DODGE 2WD 8 = HD DODGE 4WD 6 = Lt. Duty DODGE 4WD 2 = Med. Duty DODGE 2WD 7 = Med. Duty DODGE 4WD 4 = TRUCK	12 = Van 140" 51 = Wagon 118" 52 = Wagon 140" 14 = Van 118" 15 = Van 140" 16 = Van 158" 54 = Wagon 118" 55 = Wagon 140" 56 = Wagon 158" 01 = Chassis Forward Control 118" 02 = Chassis Forward Control 140" 06 = Front Section 158" 11 = Van 118"	EX8 = Engine - 2.7L I5 Mercedes-Benz TD	DGJ = Transmission - 5-Spd Auto, MB

AR = use ase required - = Non illustrated part

Front Door Trim
Figure IVA-410

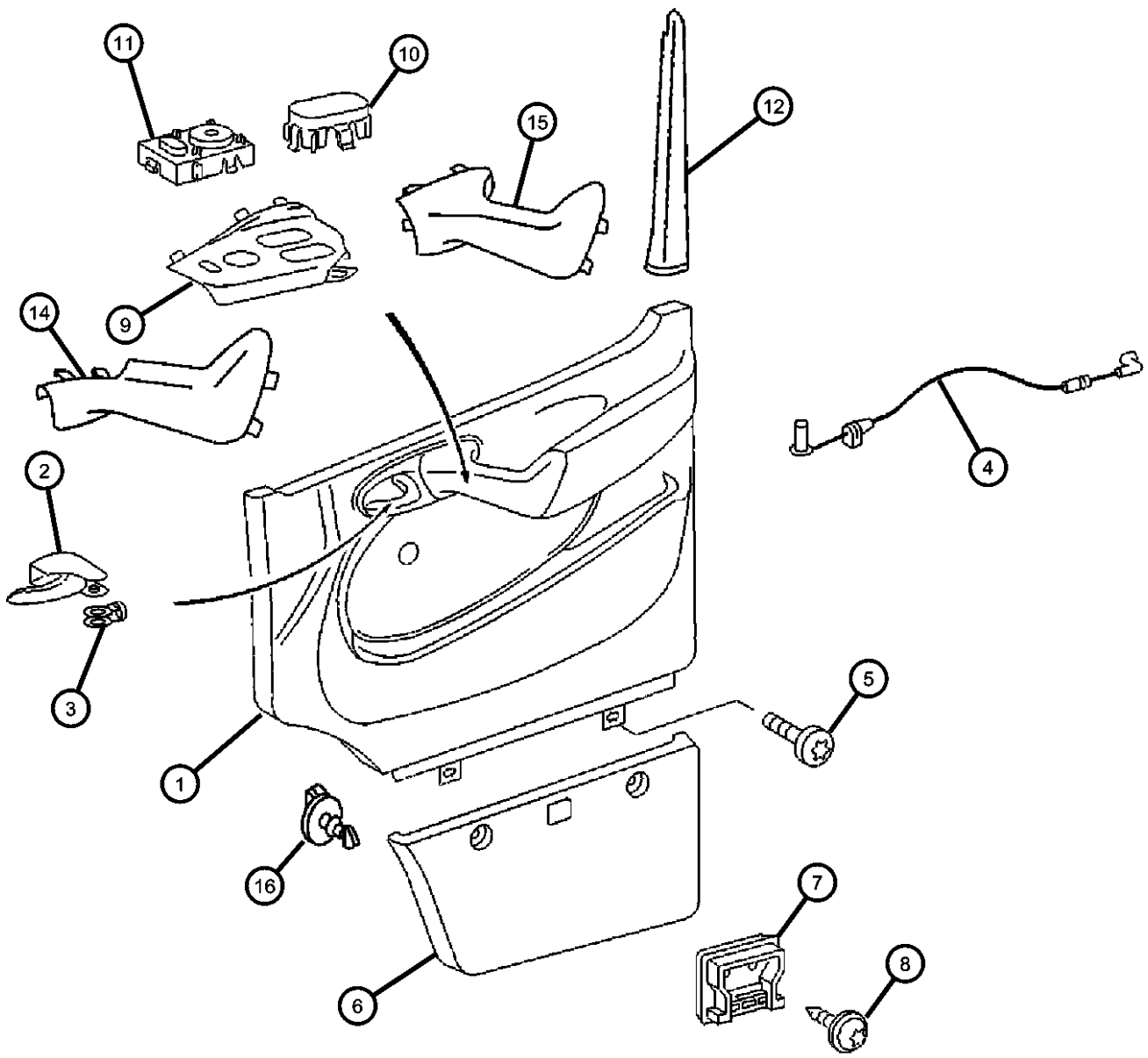


ITEM	PART NUMBER	QTY	LINE	SERIES	BODY	ENGINE	TRANS	TRIM	DESCRIPTION
		1	3, 7	L	02, 06				Left
		1	3, 7	L	02, 06				Right
		1	3, 7	L	12, 15, 16				Right
10									COVER, Switch
	05104354AA	2	2, 6	L	01, 02, 06				
		2	2, 6	L	11, 12, 14, 15, 16				
		2	2, 6	L	51, 52, 54, 55, 56				
		2	3, 7	L	02, 06				
		2	3, 7	L	12, 15, 16				
11									SWITCH, Mirror
	05103845AA	1	3, 7	L	02, 06				
		1	3, 7	L	12, 15, 16				
		1	2, 6	L	01, 02, 06				
		1	2, 6	L	11, 12, 14, 15, 16				
		1	2, 6	L	51, 52, 54, 55, 56				
12									MOLDING, Front Door Closeout
	05104322AA	1	2, 6	L	01, 02, 06				Left
		1	2, 6	L	11, 12, 14, 15, 16				Left
		1	2, 6	L	51, 52, 54, 55, 56				Left
		1	3, 7	L	02, 06				Left
	05123738AA	1	2, 6	L	11, 12, 14, 15, 16				Right
		1	2, 6	L	51, 52, 54, 55, 56				Right
		1	3, 7	L	02, 06				Right
		1	3, 7	L	12, 15, 16				Right

SPRINTER (VA)
 SERIES LINE BODY ENGINE TRANSMISSION
 L = LOWLINE 3 = HD DODGE 2WD 12 = Van 140" EX8 = Engine - 2.7L I5 DGJ = Transmission - 5-Spd Auto, MB
 8 = HD DODGE 4WD 51 = Wagon 118" Mercedes-Benz TD
 6 = Lt. Duty DODGE 4WD 52 = Wagon 140"
 2 = Med. Duty DODGE 2WD 14 = Van 118"
 7 = Med. Duty DODGE 4WD 15 = Van 140"
 4 = TRUCK 16 = Van 158"
 54 = Wagon 118"
 55 = Wagon 140"
 56 = Wagon 158"
 01 = Chassis Forward Control 118"
 02 = Chassis Forward Control 140"
 06 = Front Section 158"
 11 = Van 118"

AR = use ase required - = Non illustrated part

**Front Door Trim
Figure IVA-410**



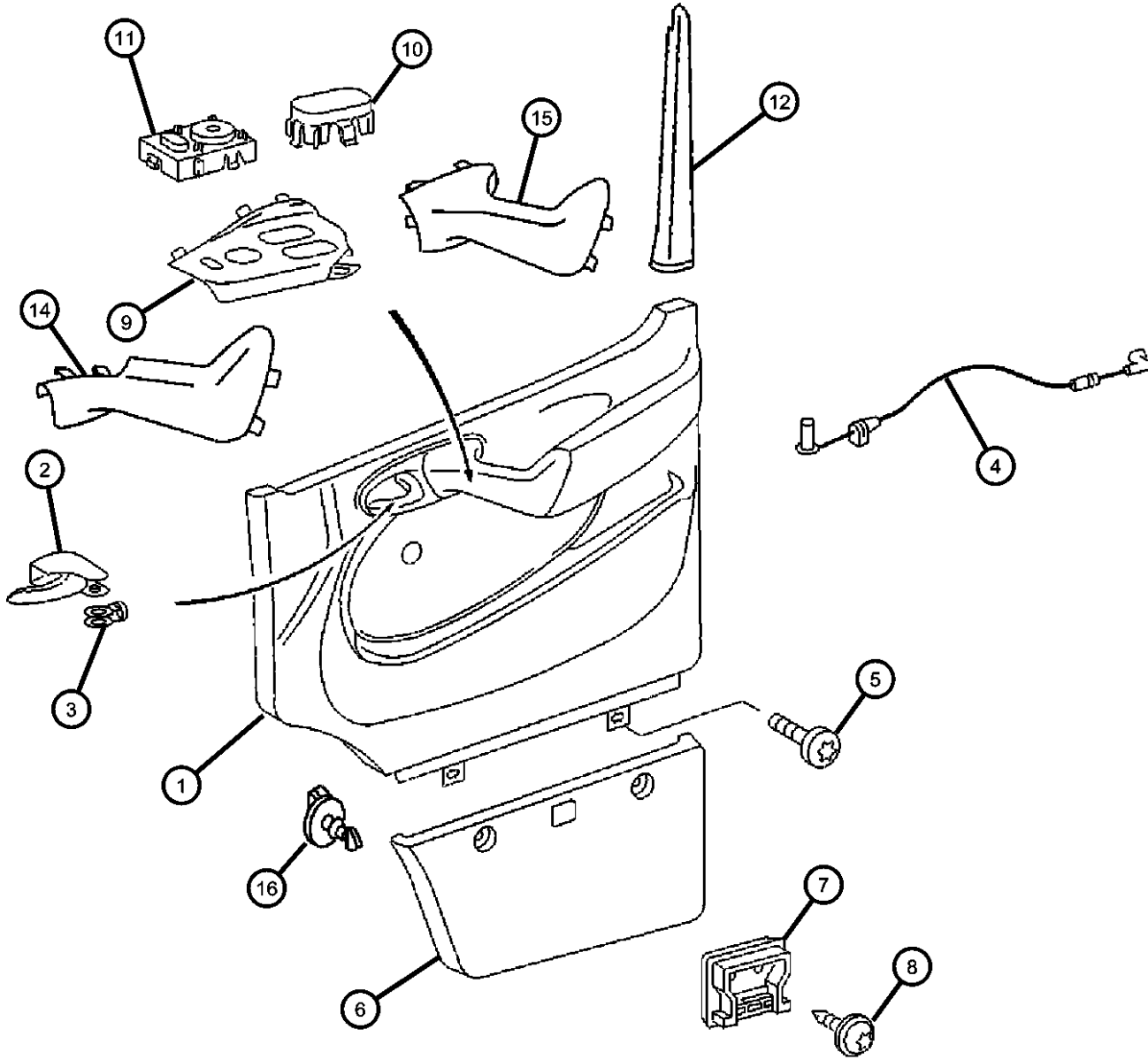
ITEM	PART NUMBER	QTY	LINE	SERIES	BODY	ENGINE	TRANS	TRIM	DESCRIPTION
		1	3, 7	L	12, 15, 16				Left
		1	2, 6	L	01, 02, 06				Right
-13									CLIP, Trim
	06104897AA	6	2, 6	L	51, 52, 54, 55, 56				
		6	3, 7	L	02, 06				
		6	3, 7	L	12, 15, 16				
		6	2, 6	L	01, 02, 06				
		6	2, 6	L	11, 12, 14, 15, 16				
14									HANDLE, Door Interior
	05123788AA	1	2, 6	L	01, 02, 06				With [JPA] Power Heated Mirrors, Left
		1	3, 7	L	12, 15, 16				With [JPA] Power Heated Mirrors, Left
	05123789AA	1	2, 6	L	01, 02, 06				With [JPA] Power Heated Mirrors, Right
		1	2, 6	L	11, 12, 14, 15, 16				With [JPA] Power Heated Mirrors, Left
		1	2, 6	L	51, 52, 54, 55, 56				With [JPA] Power Heated Mirrors, Left
		1	3, 7	L	02, 06				With [JPA] Power Heated Mirrors, Left
		1	2, 6	L	11, 12, 14, 15, 16				With [JPA] Power Heated Mirrors, Right
		1	2, 6	L	51, 52, 54, 55, 56				With [JPA] Power Heated Mirrors, Right
		1	3, 7	L	02, 06				With [JPA] Power Heated Mirrors, Right
		1	3, 7	L	12, 15, 16				With [JPA] Power Heated Mirrors, Right
15									HANDLE, Door Interior
	05123786AA	1	2, 6	L	01, 02, 06				Without [JPA] Power Heated Mirrors, Left
		1	2, 6	L	11, 12, 14, 15, 16				Without [JPA] Power Heated Mirrors, Left

SPRINTER (VA)

SERIES	LINE	BODY	ENGINE	TRANSMISSION
L = LOWLINE	3 = HD DODGE 2WD 8 = HD DODGE 4WD 6 = Lt. Duty DODGE 4WD 2 = Med. Duty DODGE 2WD 7 = Med. Duty DODGE 4WD 4 = TRUCK	12 = Van 140" 51 = Wagon 118" 52 = Wagon 140" 14 = Van 118" 15 = Van 140" 16 = Van 158" 54 = Wagon 118" 55 = Wagon 140" 56 = Wagon 158" 01 = Chassis Forward Control 118" 02 = Chassis Forward Control 140" 06 = Front Section 158" 11 = Van 118"	EX8 = Engine - 2.7L I5 Mercedes-Benz TD	DGJ = Transmission - 5-Spd Auto, MB

AR = use ase required - = Non illustrated part

Front Door Trim
Figure IVA-410



ITEM	PART NUMBER	QTY	LINE	SERIES	BODY	ENGINE	TRANS	TRIM	DESCRIPTION
		1	2, 6	L	51, 52, 54, 55, 56				Without [JPA] Power Heated Mirrors, Left
		1	3, 7	L	02, 06				Without [JPA] Power Heated Mirrors, Left
		1	3, 7	L	12, 15, 16				Without [JPA] Power Heated Mirrors, Left
	05123787AA	1	2, 6	L	01, 02, 06				Without [JPA] Power Heated Mirrors, Right
		1	2, 6	L	11, 12, 14, 15, 16				Without [JPA] Power Heated Mirrors, Right
		1	2, 6	L	51, 52, 54, 55, 56				Without [JPA] Power Heated Mirrors, Right
		1	3, 7	L	02, 06				Without [JPA] Power Heated Mirrors, Right
		1	3, 7	L	12, 15, 16				Without [JPA] Power Heated Mirrors, Right
	16								RETAINER, Trim Panel
	05133517AA	1	2, 6	L	11, 12, 14, 15, 16				
		1	2, 6	L	51, 52, 54, 55, 56				
		1	3, 7	L	12, 15, 16				

SPRINTER (VA)

SERIES

L = LOWLINE

LINE

3 = HD DODGE 2WD
 8 = HD DODGE 4WD
 6 = Lt. Duty DODGE 4WD
 2 = Med. Duty DODGE 2WD
 7 = Med. Duty DODGE 4WD
 4 = TRUCK

BODY

12 = Van 140"
 51 = Wagon 118"
 52 = Wagon 140"
 14 = Van 118"
 15 = Van 140"
 16 = Van 158"
 54 = Wagon 118"
 55 = Wagon 140"
 56 = Wagon 158"
 01 = Chassis Forward Control 118"
 02 = Chassis Forward Control 140"
 06 = Front Section 158"
 11 = Van 118"

ENGINE

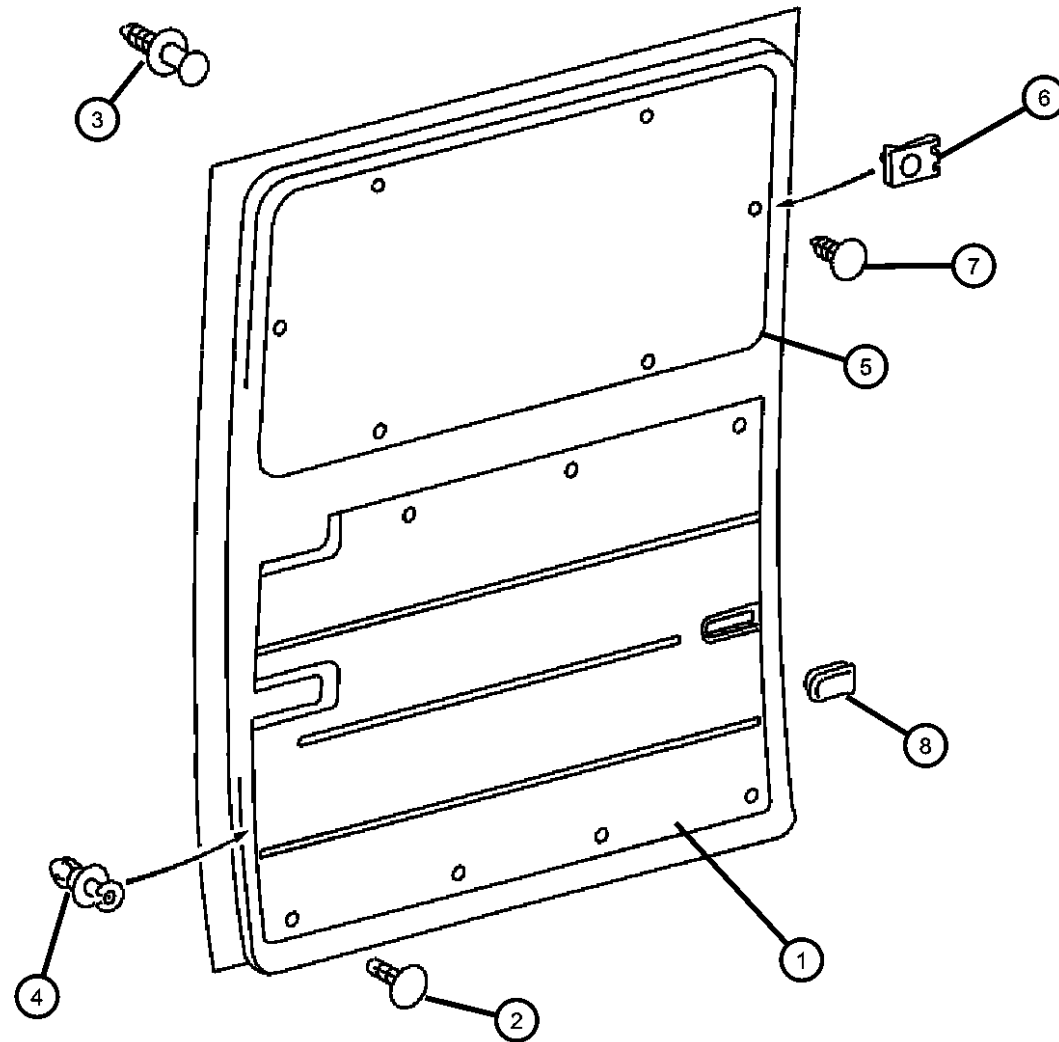
EX8 = Engine - 2.7L I5
 Mercedes-Benz TD

TRANSMISSION

DGJ = Transmission - 5-Spd Auto, MB

AR = use ase required - = Non illustrated part

Sliding Door Trim
Figure IVA-420



ITEM	PART NUMBER	QTY	LINE	SERIES	BODY	ENGINE	TRANS	TRIM	DESCRIPTION
------	-------------	-----	------	--------	------	--------	-------	------	-------------

Sales Codes:
 [4UW] = Interior Paneling Luxury
 [CMF] = Cargo Panels
 [GKA] = Right Sliding Door
 [GKE] = Left Sliding Door
 [GKG] = High Clearance

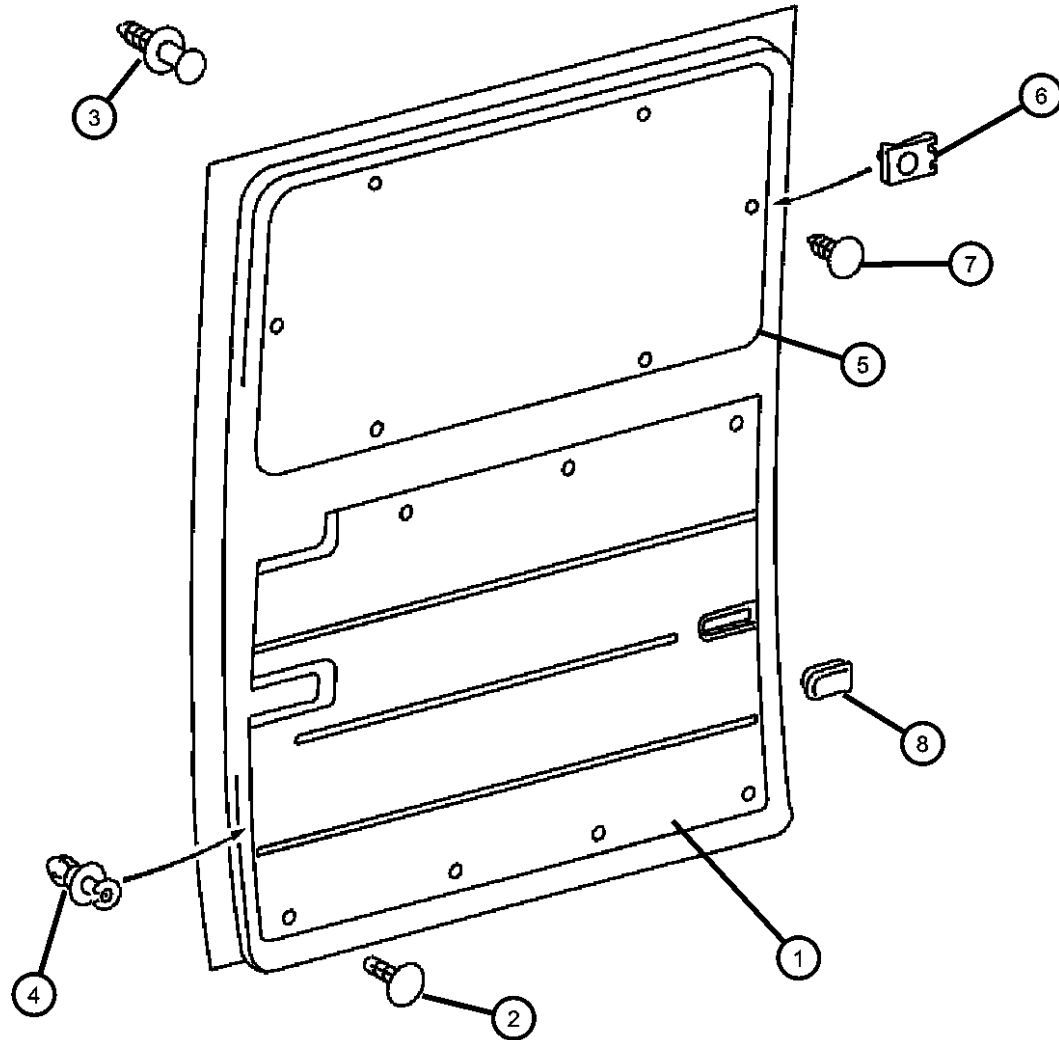
1									PANEL, Sliding Door Trim
	05104366AA	1	2, 6	L	11, 12, 14, 15, 16				With [GKA] Sliding Right Door
		1	2, 6	L	51, 52, 54, 55, 56				With [GKA] Sliding Right Door
		1	3, 7	L	12, 15, 16				With [GKA] Sliding Right Door
	05104367AA	1	2, 6	L	11, 12, 14, 15, 16				With [GKA] Sliding Right Door and [CMF] Cargo Panels
		1	3, 7	L	12, 15, 16				With [GKA] Sliding Right Door and [CMF] Cargo Panels
	05123841AA	1	2, 6	L	11, 12, 14, 15, 16				With [GKE] Sliding Left Door and [4UW] Interior Paneling Luxury
		1	2, 6	L	51, 52, 54, 55, 56				With [GKE] Sliding Left Door and [4UW] Interior Paneling Luxury
		1	7, 3	L	12, 15, 16				With [GKE] Sliding Left Door and [4UW] Interior Paneling Luxury
	05123845AA	1	2, 6	L	11, 12, 14, 15, 16				With [GKA] Sliding Right Door and [4UW] Interior Paneling Luxury
		1	2, 6	L	51, 52, 54, 55, 56				With [GKA] Sliding Right Door and [4UW] Interior Paneling Luxury
		1	3, 7	L	12, 15, 16				With [GKA] Sliding Right Door and [4UW] Interior Paneling Luxury
	05123875AA	1	2, 6	L	11, 12, 14, 15, 16				With [GKE] Sliding Left Door and [CMF] Full Laminated Wood
		1	3, 7	L	12, 15, 16				With [GKE] Sliding Left Door and [CMF] Full Laminated Wood
	05123877AA	1	2, 6	L	11, 12, 14, 15, 16				With [GKE] Sliding Left Door
	05123881AA	1	2, 6	L	11, 12, 14, 15, 16				With [GKE] Sliding Left Door and [CTE] Washable Wall

SPRINTER (VA)				
SERIES	LINE	BODY	ENGINE	TRANSMISSION
L = LOWLINE	3 = HD DODGE 2WD 8 = HD DODGE 4WD 6 = Lt. Duty DODGE 4WD 2 = Med. Duty DODGE 2WD 7 = Med. Duty DODGE 4WD 4 = TRUCK	12 = Van 140" 51 = Wagon 118" 52 = Wagon 140" 14 = Van 118" 15 = Van 140" 16 = Van 158" 54 = Wagon 118" 55 = Wagon 140" 56 = Wagon 158" 01 = Chassis Forward Control 118" 02 = Chassis Forward Control 140" 06 = Front Section 158" 11 = Van 118"	EX8 = Engine - 2.7L I5 Mercedes-Benz TD	DGJ = Transmission - 5-Spd Auto, MB

AR = use ase required - = Non illustrated part

2005 VA

**Sliding Door Trim
Figure IVA-420**



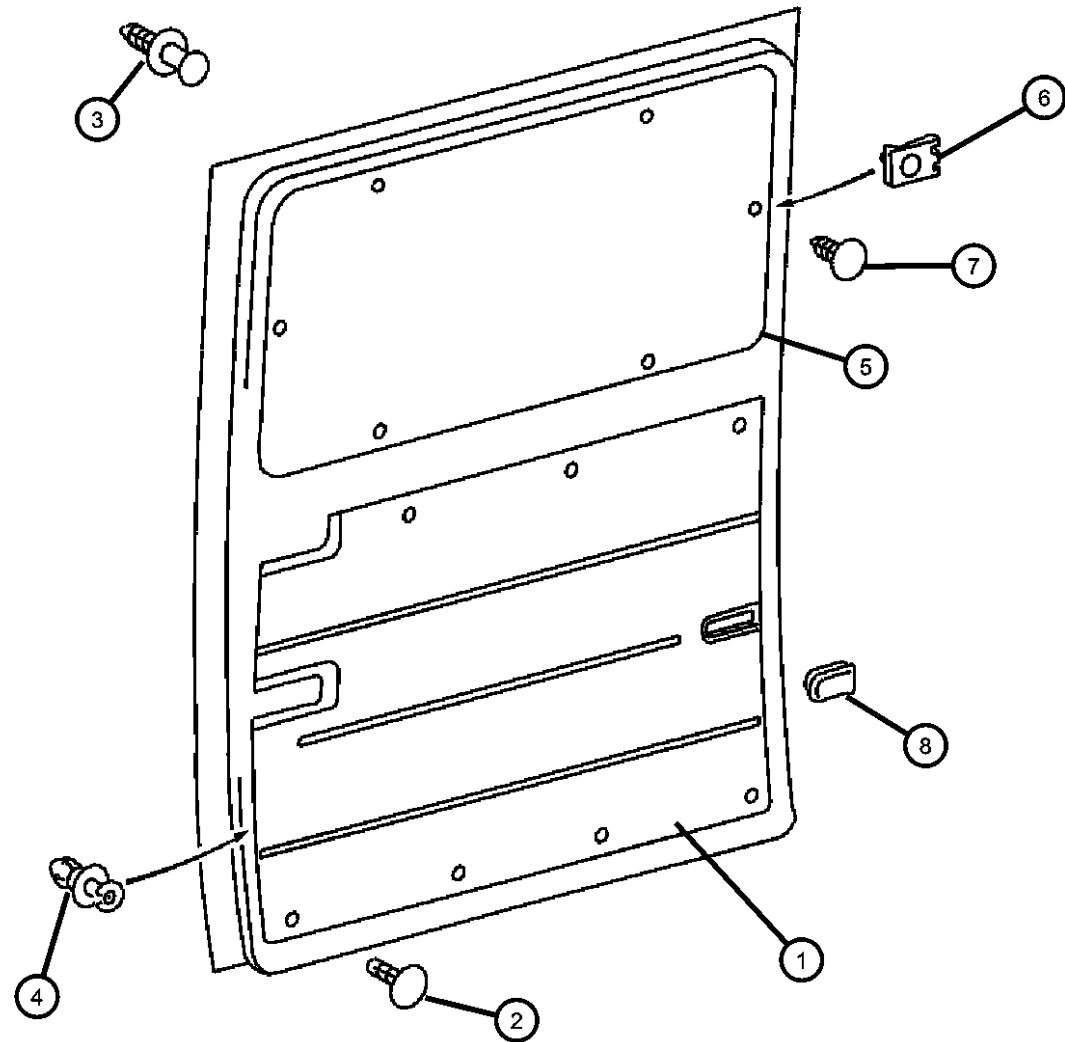
ITEM	PART NUMBER	QTY	LINE	SERIES	BODY	ENGINE	TRANS	TRIM	DESCRIPTION
		1	3, 7	L	12, 15, 16				With [GKE] Sliding Left Door and [CTE] Washable Wall
	05123882AA	1	2, 6	L	11, 12, 14, 15, 16				With [GKA] Sliding Right Door and [CTE] Washable Wall
		1	3, 7	L	12, 15, 16				With [GKA] Sliding Right Door and [CTE] Washable Wall
		1	2, 6	L	51, 52, 54, 55, 56				With [GKE] Sliding Left Door
		1	3, 7	L	12, 15, 16				With [GKE] Sliding Left Door
2	05103553AA	9	2, 6	L	11, 12, 14, 15, 16				PIN, Push
		9	2, 6	L	51, 52, 54, 55, 56				
		9	3, 7	L	12, 15, 16				
3	05103925AA	1	2, 6	L	11, 12, 14, 15, 16				PIN, Push
		1	3, 7	L	12, 15, 16				
		1	2, 6	L	51, 52, 54, 55, 56				
4	06104895AA	10	2, 6	L	11, 12, 14, 15, 16				PIN, Push
		10	2, 6	L	51, 52, 54, 55, 56				
		10	3, 7	L	12, 15, 16				
5	05123888AA	1	2, 6	L	11, 12, 14, 15, 16				PANEL, Cargo Door, Upper Right & Left
		1	3, 7	L	12, 15, 16				
6	05125859AA	10	2, 6	L	11, 12, 14, 15, 16				U-NUT

SPRINTER (VA)

SERIES	LINE	BODY	ENGINE	TRANSMISSION
L = LOWLINE	3 = HD DODGE 2WD 8 = HD DODGE 4WD 6 = Lt. Duty DODGE 4WD 2 = Med. Duty DODGE 2WD 7 = Med. Duty DODGE 4WD 4 = TRUCK	12 = Van 140" 51 = Wagon 118" 52 = Wagon 140" 14 = Van 118" 15 = Van 140" 16 = Van 158" 54 = Wagon 118" 55 = Wagon 140" 56 = Wagon 158" 01 = Chassis Forward Control 118" 02 = Chassis Forward Control 140" 06 = Front Section 158" 11 = Van 118"	EX8 = Engine - 2.7L I5 Mercedes-Benz TD	DGJ = Transmission - 5-Spd Auto, MB

AR = use ase required - = Non illustrated part

Sliding Door Trim
Figure IVA-420



ITEM	PART NUMBER	QTY	LINE	SERIES	BODY	ENGINE	TRANS	TRIM	DESCRIPTION
7		10	3, 7	L	12, 15, 16				PIN, Push
	05103818AA	10	2, 6	L	11, 12, 14, 15, 16				
8		10	3, 7	L	12, 15, 16				PLUG, Access Hole
	05104365AA	1	3, 7	L	16				Without [GKG], High Clearance
	05104588AA	1	2, 6	L	11, 12, 14, 15, 16				With [GKG], High Clearance
		1	3, 7	L	12, 15				With [GKG], High Clearance
		1	2, 6	L	11, 12, 14, 15, 16				Without [GKG], High Clearance
		1	2, 6	L	51, 52, 54, 55, 56				Without [GKG], High Clearance
-9									CATCH, Sliding Partition Door
	05104424AA	1	2, 6	L	11, 12, 14, 15, 16				Cargo Partition
		1	3, 7	L	12, 15, 16				Cargo Partition
-10									TAPPING PLATE, Side Door Lock
	05124110AA	2	3, 7	L	12, 15, 16				Striker
		2	2, 6	L	11, 12, 14, 15, 16				
		2	2, 6	L	51, 52, 54, 55, 56				

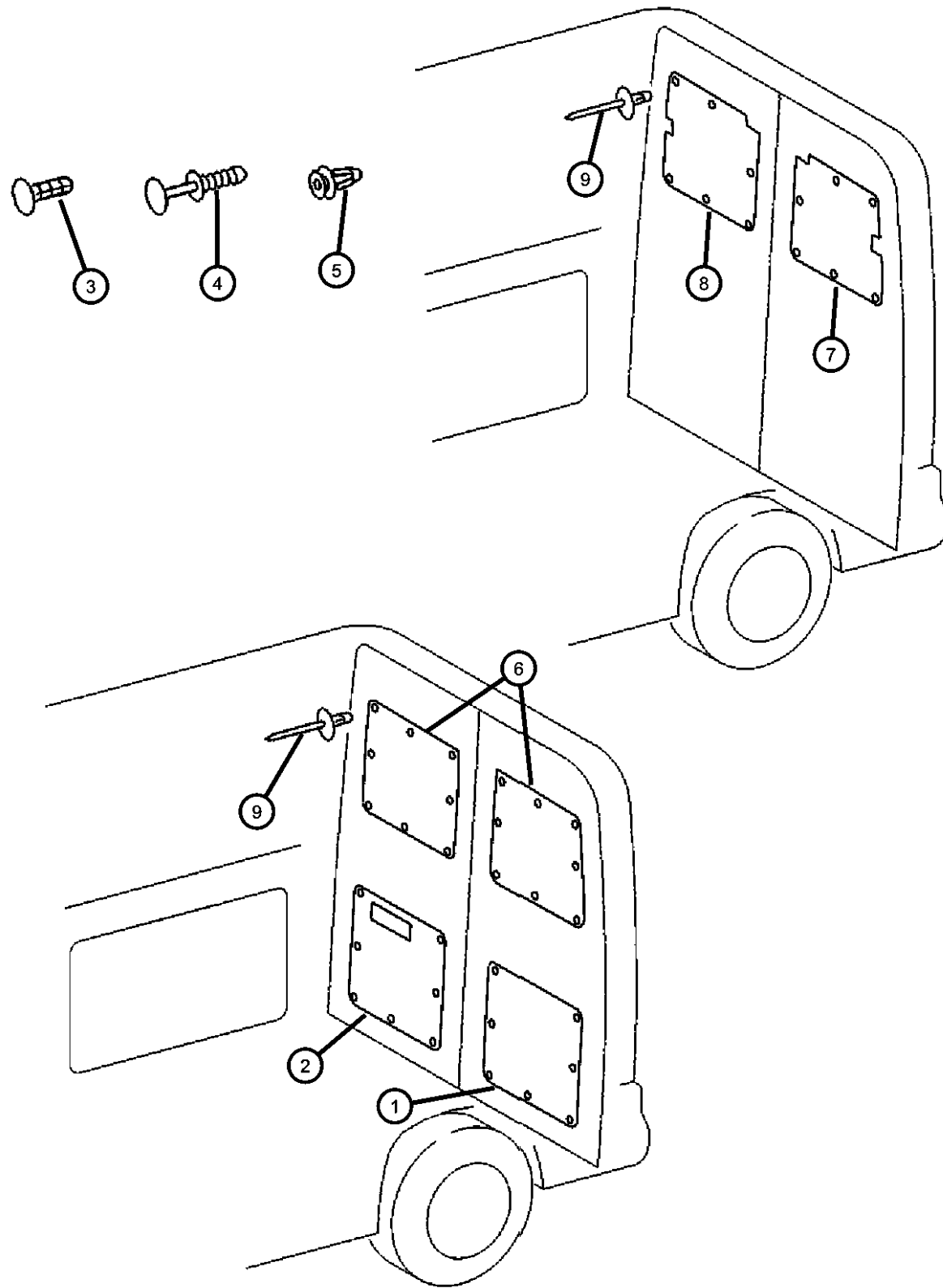
SPRINTER (VA)

SERIES	LINE	BODY	ENGINE	TRANSMISSION
L = LOWLINE	3 = HD DODGE 2WD 8 = HD DODGE 4WD 6 = Lt. Duty DODGE 4WD 2 = Med. Duty DODGE 2WD 7 = Med. Duty DODGE 4WD 4 = TRUCK	12 = Van 140" 51 = Wagon 118" 52 = Wagon 140" 14 = Van 118" 15 = Van 140" 16 = Van 158" 54 = Wagon 118" 55 = Wagon 140" 56 = Wagon 158" 01 = Chassis Forward Control 118" 02 = Chassis Forward Control 140" 06 = Front Section 158" 11 = Van 118"	EX8 = Engine - 2.7L I5 Mercedes-Benz TD	DGJ = Transmission - 5-Spd Auto, MB

AR = use ase required - = Non illustrated part

2005 VA

Rear Dual Door Trim
Figure IVA-430



ITEM	PART NUMBER	QTY	LINE	SERIES	BODY	ENGINE	TRANS	TRIM	DESCRIPTION	
1	05104395AA	1	2, 6	L	11, 12, 14, 15, 16				PANEL, Cargo Door, Left Hard Fiber	
	05124024AA	1	2, 6	L	11, 12, 14, 15, 16				Plywood	
		1	3, 7	L	12, 15, 16				Plywood	
		1	2, 6	L	51, 52, 54, 55, 56				Hard Fiber	
	05123950AA	1	3, 7	L	12, 15, 16				Hard Fiber	
		1	2, 6	L	11, 12, 14, 15, 16				Fabric	
		1	2, 6	L	51, 52, 54, 55, 56				Fabric	
		1	7, 3	L	12, 15, 16				Fabric	
	2	05104396AA	1	2, 6	L	11, 12, 14, 15, 16				PANEL, Cargo Door, Right Hard Fiber
			1	2, 6	L	51, 52, 54, 55, 56				Hard Fiber
		1	3, 7	L	12, 15, 16				Hard Fiber	
05123953AA		1	2, 6	L	11, 12, 14, 15, 16				Fabric	
		1	2, 6	L	51, 52, 54, 55, 56				Fabric	
		1	3, 7	L	12, 15, 16				Fabric	
05124026AA		1	2, 6	L	11, 12, 14, 15, 16				Plywood	
		1	3, 7	L	12, 15, 16				Plywood	
3	05103553AA	7	2, 6	L	11, 12, 14, 15, 16				PIN, Push, White	
		7	2, 6	L	51, 52, 54, 55, 56					
		7	3, 7	L	12, 15, 16					
4								PIN, Push		

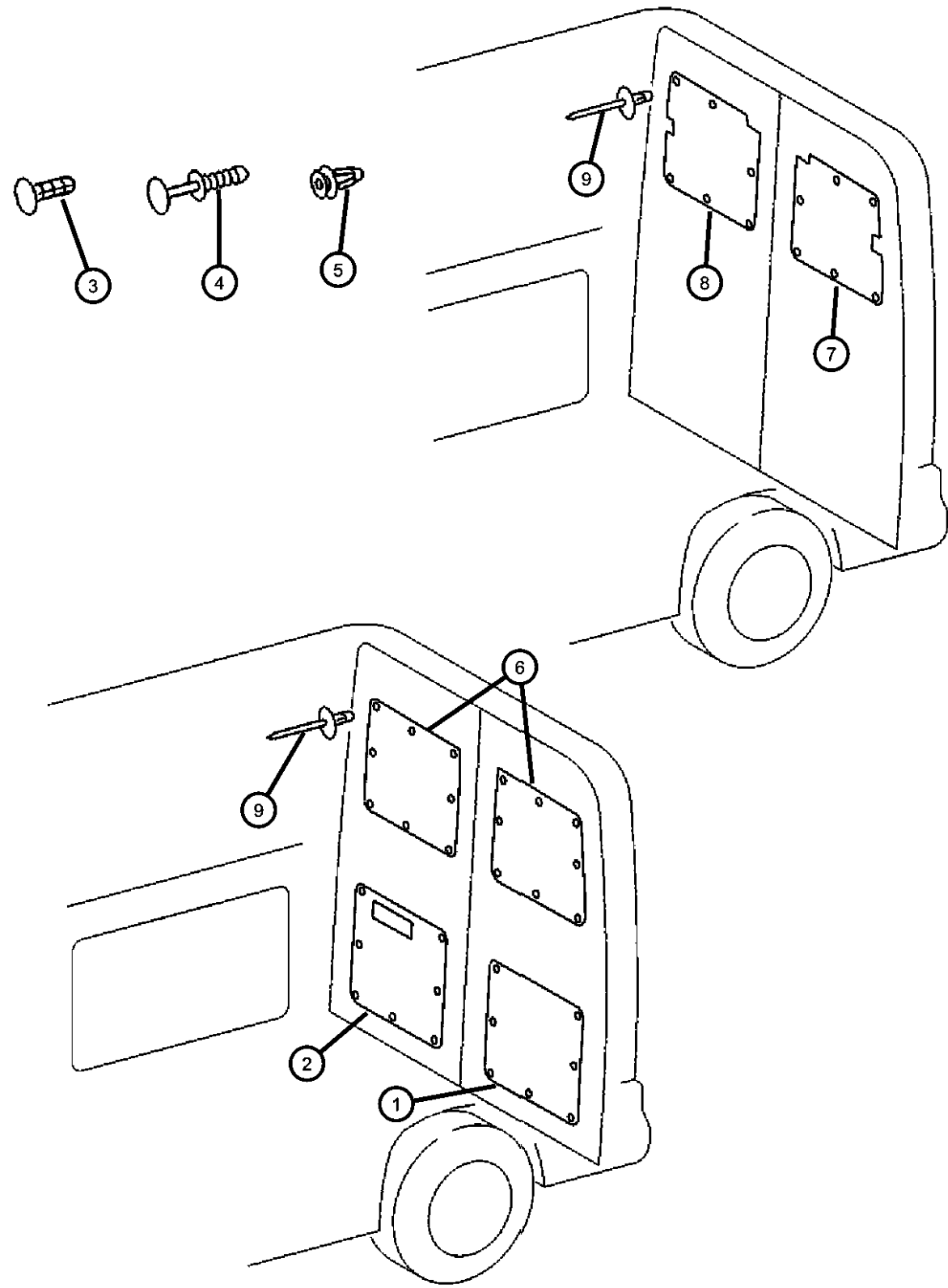
SPRINTER (VA)

SERIES	LINE	BODY	ENGINE	TRANSMISSION
L = LOWLINE	3 = HD DODGE 2WD 8 = HD DODGE 4WD 6 = Lt. Duty DODGE 4WD 2 = Med. Duty DODGE 2WD 7 = Med. Duty DODGE 4WD 4 = TRUCK	12 = Van 140" 51 = Wagon 118" 52 = Wagon 140" 14 = Van 118" 15 = Van 140" 16 = Van 158" 54 = Wagon 118" 55 = Wagon 140" 56 = Wagon 158" 01 = Chassis Forward Control 118" 02 = Chassis Forward Control 140" 06 = Front Section 158" 11 = Van 118"	EX8 = Engine - 2.7L I5 Mercedes-Benz TD	DGJ = Transmission - 5-Spd Auto, MB

AR = use ase required - = Non illustrated part

2005 VA

Rear Dual Door Trim
Figure IVA-430



ITEM	PART NUMBER	QTY	LINE	SERIES	BODY	ENGINE	TRANS	TRIM	DESCRIPTION
	05103925AA	1	2, 6	L	51, 52, 54, 55, 56				
		1	2, 6	L	11, 12, 14, 15, 16				
		1	3, 7	L	12, 15, 16				
5									PIN, Push
	06104895AA	15	2, 6	L	11, 12, 14, 15, 16				
		15	2, 6	L	51, 52, 54, 55, 56				
		15	3, 7	L	12, 15, 16				
6									PANEL, Cargo Door, Right & Left
	05124035AA	1	2, 6	L	11, 12, 14, 15, 16				
		1	3, 7	L	12, 15, 16				
7									PANEL, Cargo Door, Left
	05124036AA	1	2, 6	L	11, 12, 14, 15, 16				
		1	3, 7	L	12, 15, 16				
8									PANEL, Cargo Door, Right
	05124036AA	1	2, 6	L	11, 12, 14, 15, 16				
		1	3, 7	L	12, 15, 16				
9									RIVET
	06104865AA	10	2, 6	L	11, 12, 14, 15, 16				
		10	3, 7	L	12, 15, 16				
		10	2, 6	L	51, 52, 54, 55, 56				

SPRINTER (VA)

SERIES	LINE	BODY	ENGINE	TRANSMISSION
L = LOWLINE	3 = HD DODGE 2WD 8 = HD DODGE 4WD 6 = Lt. Duty DODGE 4WD 2 = Med. Duty DODGE 2WD 7 = Med. Duty DODGE 4WD 4 = TRUCK	12 = Van 140" 51 = Wagon 118" 52 = Wagon 140" 14 = Van 118" 15 = Van 140" 16 = Van 158" 54 = Wagon 118" 55 = Wagon 140" 56 = Wagon 158" 01 = Chassis Forward Control 118" 02 = Chassis Forward Control 140" 06 = Front Section 158" 11 = Van 118"	EX8 = Engine - 2.7L I5 Mercedes-Benz TD	DGJ = Transmission - 5-Spd Auto, MB

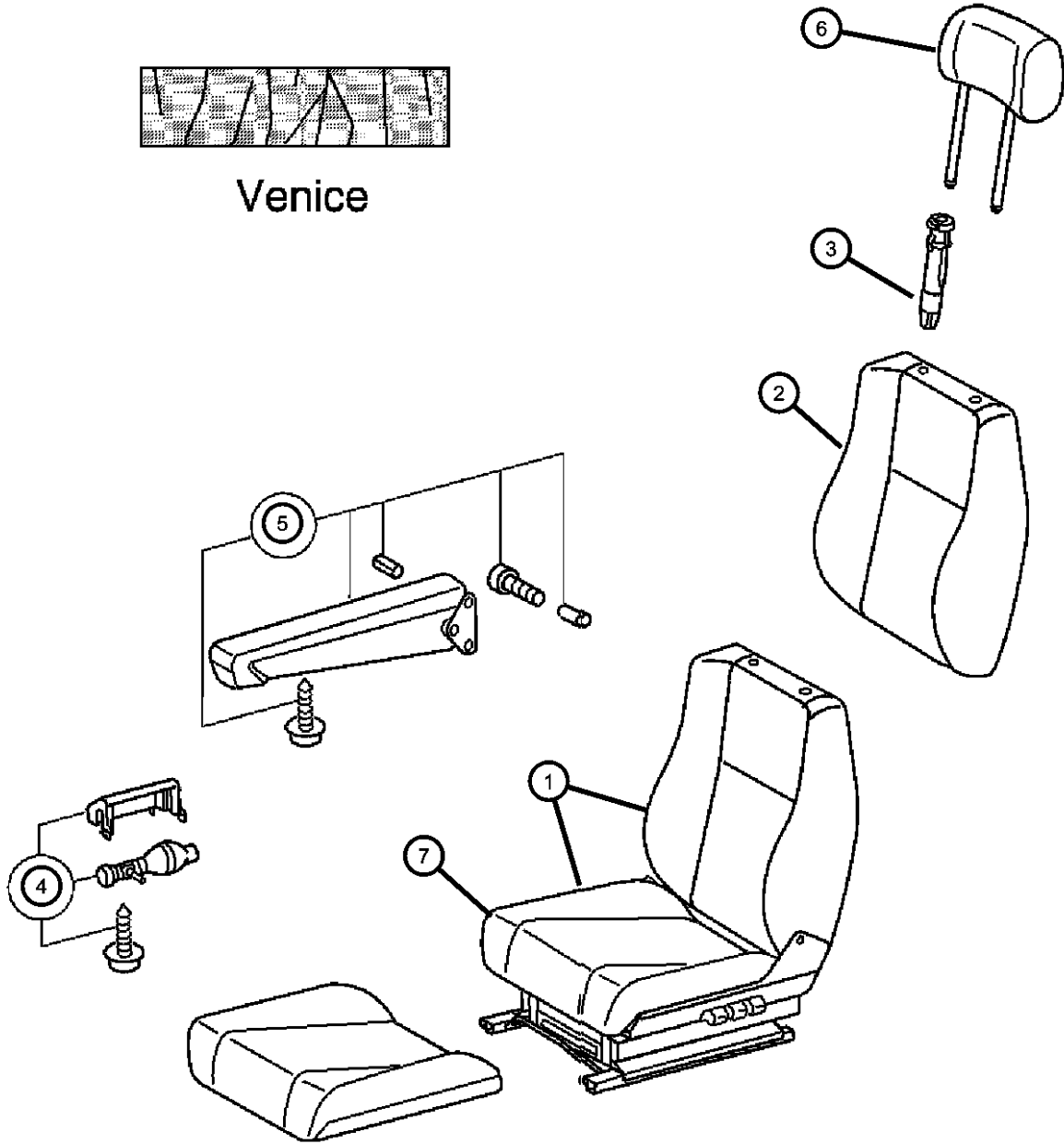
AR = use ase required - = Non illustrated part

**Front Seat - Venice
Figure IVA-510**

ITEM	PART NUMBER	QTY	LINE	SERIES	BODY	ENGINE	TRANS	TRIM	DESCRIPTION
1									SEAT COMPLETE, Front
	05127100AA	1	2, 6	L	01, 02, 06				Right
		1	2, 6	L	11, 12, 14, 15, 16				Right
		1	3, 7	L	12, 15, 16				Right
	05127102AA	1	2, 6	L	01, 02, 06				Left
		1	2, 6	L	11, 12, 14, 15, 16				Left
		1	2, 6	L	51, 52, 54, 55, 56				Left
		1	2, 6	L	51, 52, 54, 55, 56				Right
	05127105AA	1	3, 7	L	02, 06				Right
		1	2, 6	L	11, 12, 14, 15, 16				Heated, Left
		1	2, 6	L	51, 52, 54, 55, 56				Heated, Left
		1	3, 7	L	02, 06				Heated, Left
		1	3, 7	L	02, 06				Left
		1	3, 7	L	12, 15, 16				Left
	05127110AA	1	2, 6	L	01, 02, 06				Heated, Left
		1	2, 6	L	51, 52, 54, 55, 56				Comfort Seat, Left
		1	3, 7	L	02, 06				Comfort Seat, Left
		1	3, 7	L	12, 15, 16				Comfort Seat, Left
		1	3, 7	L	12, 15, 16				Heated, Left
		1	2, 6	L	01, 02, 06				Comfort Seat, Left
		1	2, 6	L	11, 12, 14, 15, 16				Comfort Seat, Left
	05127113AA	1	3, 7	L	12, 15, 16				Heated Comfort Seat, Left
	05127114AA	1	2, 6	L	01, 02, 06				Comfort Seat, Right
		1	2, 6	L	01, 02, 06				Heated Comfort Seat, Left
		1	2, 6	L	11, 12, 14, 15, 16				Heated Comfort Seat, Left



Venice



SPRINTER (VA)

SERIES

- L = LOWLINE
- 3 = HD DODGE 2WD
- 8 = HD DODGE 4WD
- 6 = Lt. Duty DODGE 4WD
- 2 = Med. Duty DODGE 2WD
- 7 = Med. Duty DODGE 4WD
- 4 = TRUCK

LINE

BODY

- 12 = Van 140"
- 51 = Wagon 118"
- 52 = Wagon 140"
- 14 = Van 118"
- 15 = Van 140"
- 16 = Van 158"
- 54 = Wagon 118"
- 55 = Wagon 140"
- 56 = Wagon 158"
- 01 = Chassis Forward Control 118"
- 02 = Chassis Forward Control 140"
- 06 = Front Section 158"
- 11 = Van 118"

ENGINE

- EX8 = Engine - 2.7L I5 Mercedes-Benz TD

TRANSMISSION

- DGJ = Transmission - 5-Spd Auto, MB

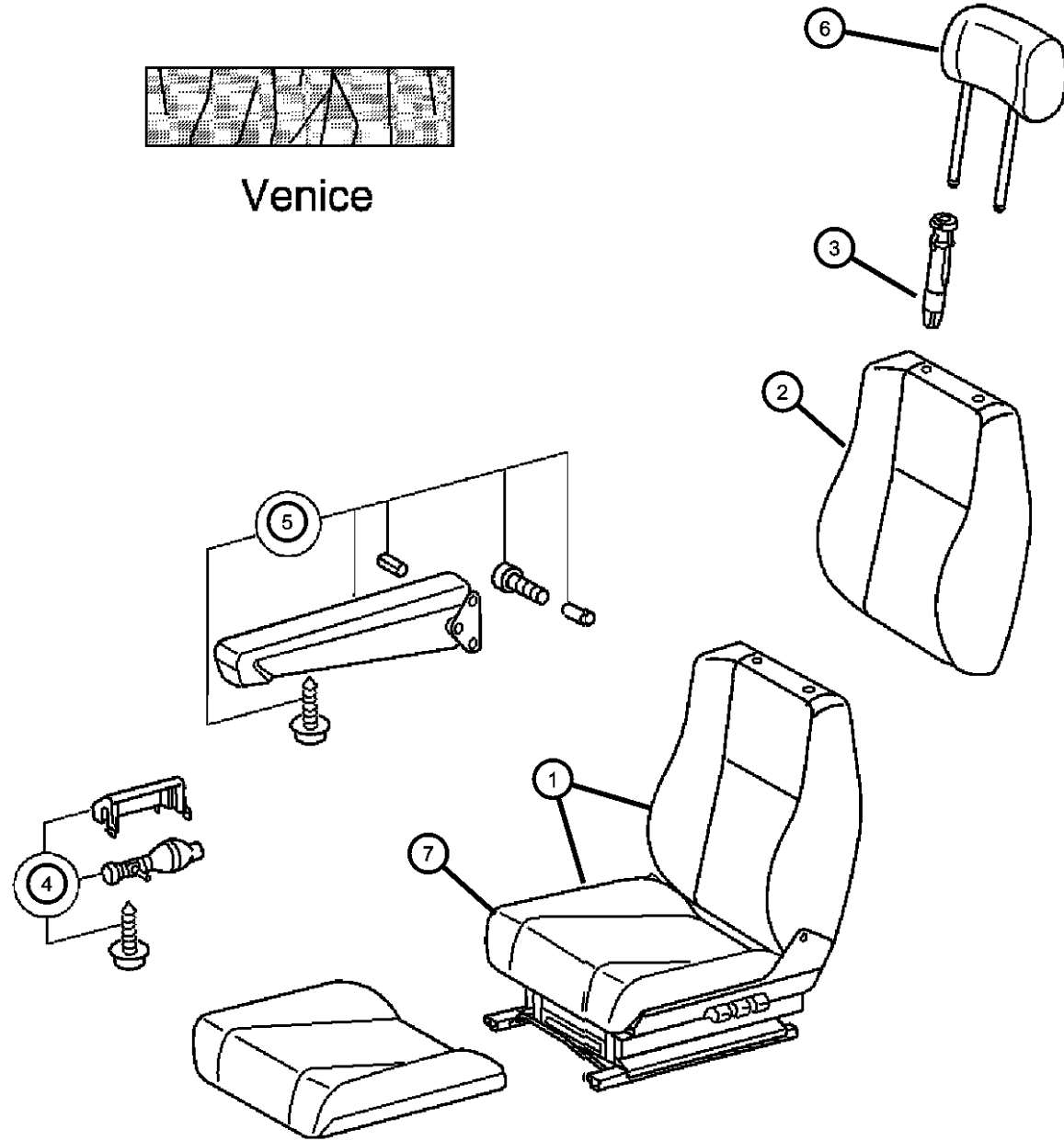
AR = use ase required - = Non illustrated part

2005 VA

Front Seat - Venice
Figure IVA-510



Venice



ITEM	PART NUMBER	QTY	LINE	SERIES	BODY	ENGINE	TRANS	TRIM	DESCRIPTION
		1	2, 6	L	51, 52, 54, 55, 56				Heated Comfort Seat, Left
		1	3, 7	L	02, 06				Heated Comfort Seat, Left
	05127117AA	1	2, 6	L	01, 02, 06				Heated Comfort Seat, Right
		1	2, 6	L	11, 12, 14, 15, 16				Heated Comfort Seat, Right
		1	2, 6	L	11, 12, 14, 15, 16				Comfort Seat, Right
		1	2, 6	L	51, 52, 54, 55, 56				Comfort Seat, Right
		1	3, 7	L	02, 06				Comfort Seat, Right
		1	3, 7	L	12, 15, 16				Comfort Seat, Right
		1	2, 6	L	51, 52, 54, 55, 56				Heated Comfort Seat, Right
		1	3, 7	L	02, 06				Heated Comfort Seat, Right
		1	3, 7	L	12, 15, 16				Heated Comfort Seat, Right
2	05170318AA	1	2, 3, 6, 7					*A7	SEAT BACK, Front
3	1AV08AA7AA	2	2, 6	L	01, 02, 06			*B7	SLEEVE, Headrest
		2	2, 6	L	11, 12, 14, 15, 16			*B7	
		2	2, 6	L	51, 52, 54, 55, 56			*B7	
		2	3, 7	L	02, 06			*B7	
		2	3, 7	L	12, 15, 16			*B7	
4	05127631AA	1	2, 6	L	01, 02, 06				PUMP, Lumbar Support
		1	2, 6	L	11, 12, 14, 15, 16				
		1	2, 6	L	51, 52, 54, 55, 56				
		1	3, 7	L	02, 06				
		1	3, 7	L	12, 15, 16				

SPRINTER (VA)

SERIES

L = LOWLINE

LINE

3 = HD DODGE 2WD
8 = HD DODGE 4WD
6 = Lt. Duty DODGE 4WD
2 = Med. Duty DODGE 2WD
7 = Med. Duty DODGE 4WD
4 = TRUCK

BODY

12 = Van 140"
51 = Wagon 118"
52 = Wagon 140"
14 = Van 118"
15 = Van 140"
16 = Van 158"
54 = Wagon 118"
55 = Wagon 140"
56 = Wagon 158"
01 = Chassis Forward Control
118"
02 = Chassis Forward Control
140"
06 = Front Section 158"
11 = Van 118"

ENGINE

EX8 = Engine - 2.7L I5
Mercedes-Benz TD

TRANSMISSION

DGJ = Transmission - 5-Spd Auto, MB

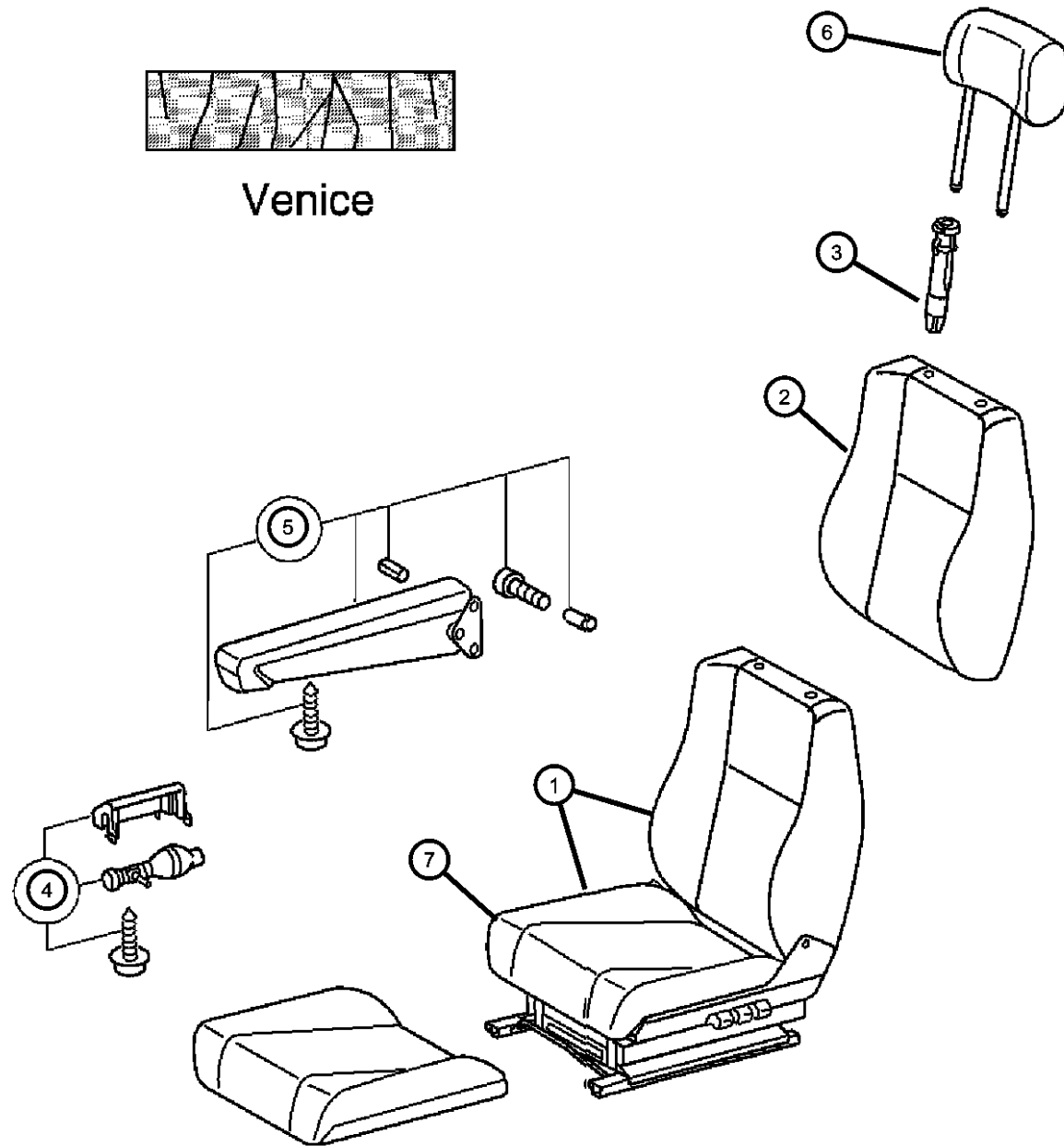
AR = use ase required - = Non illustrated part

2005 VA

Front Seat - Venice
Figure IVA-510



Venice



ITEM	PART NUMBER	QTY	LINE	SERIES	BODY	ENGINE	TRANS	TRIM	DESCRIPTION
5	05103710AA	1	2, 6	L	11, 12, 14, 15, 16				ARMREST, Seat With Mounting Hardware, Left
		1	2, 6	L	51, 52, 54, 55, 56				With Mounting Hardware, Left
		1	2, 6	L	01, 02, 06				With Mounting Hardware, Left
	05103711AA	1	2, 6	L	01, 02, 06				With Mounting Hardware, Right
		1	6, 2	L	11, 12, 14, 15, 16				With Mounting Hardware, Right
		1	2, 6	L	51, 52, 54, 55, 56				With Mounting Hardware, Right
6	05125368AA	3	2, 6	L	11, 12, 14, 15, 16				HEADREST
		3	3, 7	L	12, 15, 16				
7	05133020AA	1	2, 6	L	51, 52, 54, 55, 56				SEAT Standart Seat - Heated, Left
	05133015AA	1	2, 6	L	11, 12, 14, 15, 16				Single Seat, Left
		1	2, 6	L	51, 52, 54, 55, 56				Single Seat, Left
		1	3, 7	L	12, 15, 16				Single Seat, Left
		1	2, 6	L	11, 12, 14, 15, 16				Standart Seat - Heated, Left
		1	3, 7	L	12, 15, 16				Standart Seat - Heated, Left
	05133025AA	1	2, 6	L	11, 12, 14, 15, 16				Comfort Seat, Left
		1	2, 6	L	51, 52, 54, 55, 56				Comfort Seat, Left
		1	3, 7	L	12, 15, 16				Comfort Seat, Left
	05133028AA	1	2, 6	L	11, 12, 14, 15, 16				Comfort Seat - Heated, Left
		1	2, 6	L	51, 52, 54, 55, 56				Comfort Seat - Heated, Left

SPRINTER (VA)

SERIES

L = LOWLINE

LINE

3 = HD DODGE 2WD
8 = HD DODGE 4WD
6 = Lt. Duty DODGE 4WD
2 = Med. Duty DODGE 2WD
7 = Med. Duty DODGE 4WD
4 = TRUCK

BODY

12 = Van 140"
51 = Wagon 118"
52 = Wagon 140"
14 = Van 118"
15 = Van 140"
16 = Van 158"
54 = Wagon 118"
55 = Wagon 140"
56 = Wagon 158"
01 = Chassis Forward Control 118"
02 = Chassis Forward Control 140"
06 = Front Section 158"
11 = Van 118"

ENGINE

EX8 = Engine - 2.7L I5
Mercedes-Benz TD

TRANSMISSION

DGJ = Transmission - 5-Spd Auto, MB

AR = use ase required - = Non illustrated part

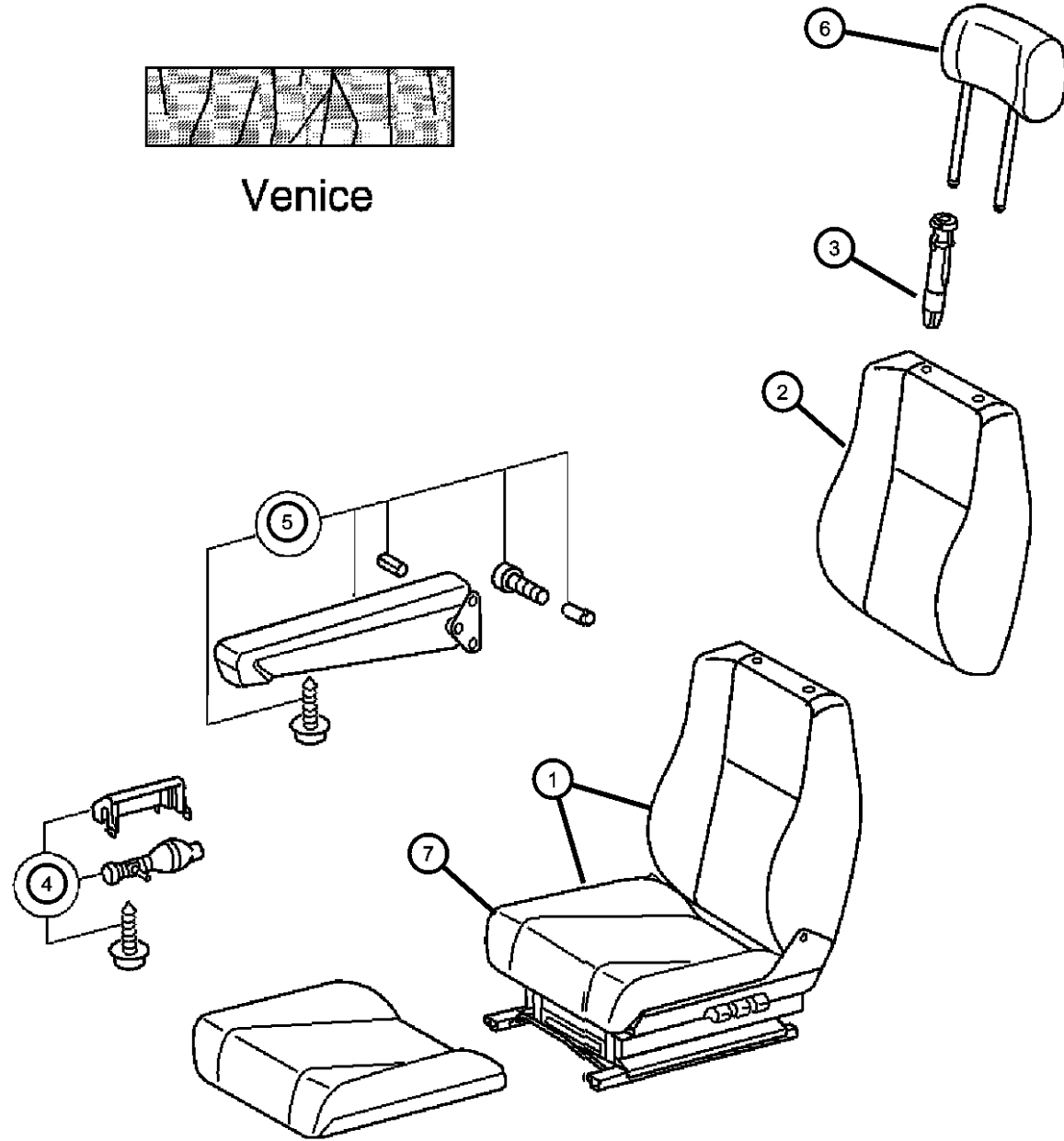
2005 VA

**Front Seat - Venice
Figure IVA-510**

ITEM	PART NUMBER	QTY	LINE	SERIES	BODY	ENGINE	TRANS	TRIM	DESCRIPTION
		1	3, 7	L	12, 15, 16				Comfort Seat - Heated, Left
	05133029AA	1	2, 6	L	11, 12, 14, 15, 16				Comfort Seat, Right
		1	2, 6	L	51, 52, 54, 55, 56				Comfort Seat, Right
	05133032AA	1	3, 7	L	12, 15, 16				Comfort Seat, Right
		1	2, 6	L	11, 12, 14, 15, 16				Comfort Seat - Heated, Right
		1	2, 6	L	51, 52, 54, 55, 56				Comfort Seat - Heated, Right
		1	3, 7	L	12, 15, 16				Comfort Seat - Heated, Right



Venice



SPRINTER (VA)

SERIES

L = LOWLINE

LINE

3 = HD DODGE 2WD
 8 = HD DODGE 4WD
 6 = Lt. Duty DODGE 4WD
 2 = Med. Duty DODGE 2WD
 7 = Med. Duty DODGE 4WD
 4 = TRUCK

BODY

12 = Van 140"
 51 = Wagon 118"
 52 = Wagon 140"
 14 = Van 118"
 15 = Van 140"
 16 = Van 158"
 54 = Wagon 118"
 55 = Wagon 140"
 56 = Wagon 158"
 01 = Chassis Forward Control 118"
 02 = Chassis Forward Control 140"
 06 = Front Section 158"
 11 = Van 118"

ENGINE

EX8 = Engine - 2.7L I5
 Mercedes-Benz TD

TRANSMISSION

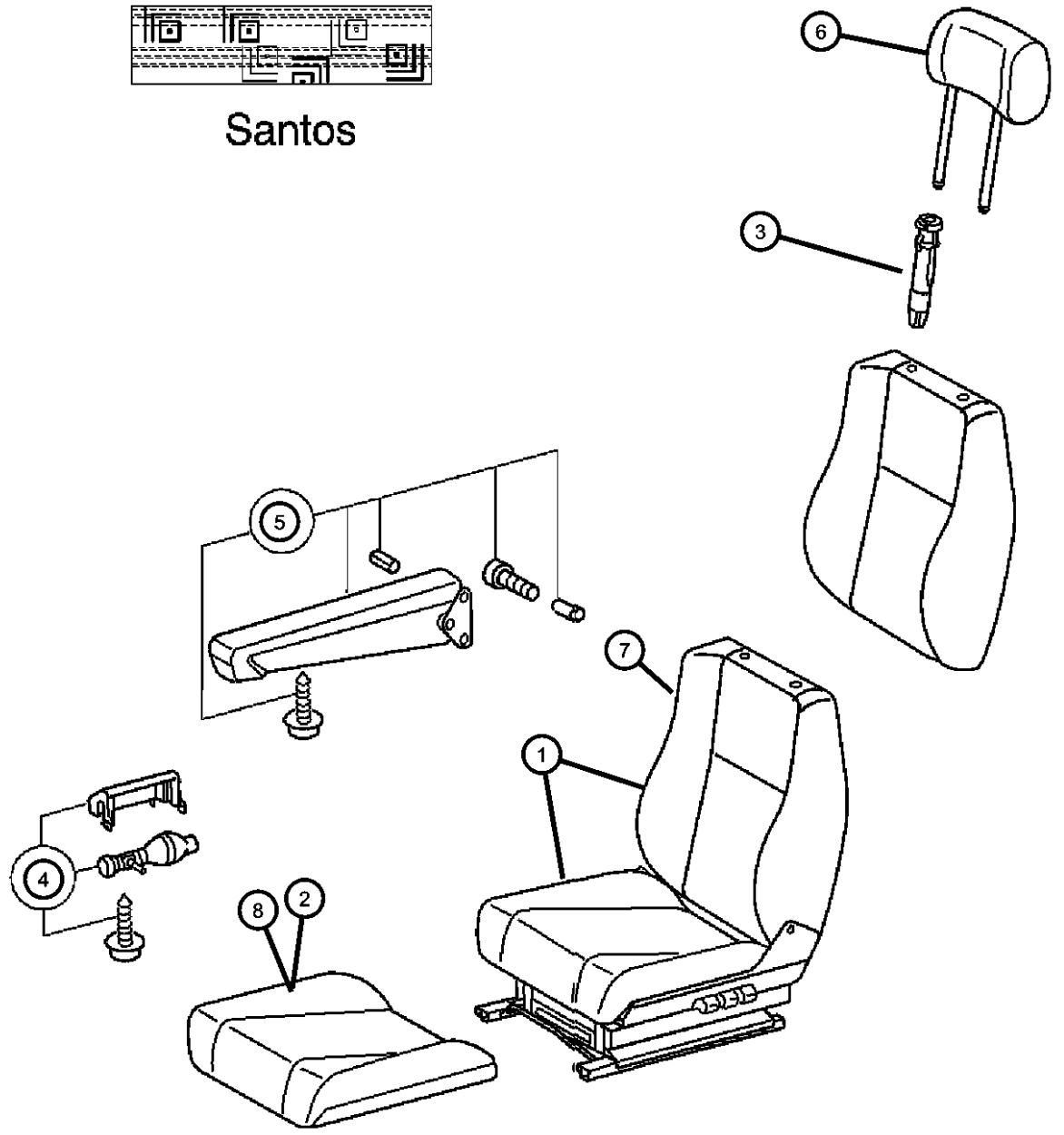
DGJ = Transmission - 5-Spd Auto, MB

AR = use ase required - = Non illustrated part

2005 VA

Front Seat, Trim Code [B7], Santos
Figure IVA-515

ITEM	PART NUMBER	QTY	LINE	SERIES	BODY	ENGINE	TRANS	TRIM	DESCRIPTION
1									SEAT COMPLETE, Front
	05127100AA	1	2, 6	L	01, 02, 06				Right
		1	2, 6	L	51, 52, 54, 55, 56				Right
		1	3, 7	L	02, 06				Right
		1	3, 7	L	12, 15, 16				Right
	05127102AA	1	2, 6	L	01, 02, 06				Left
		1	2, 6	L	11, 12, 14, 15, 16				Left
		1	2, 6	L	11, 12, 14, 15, 16				Right
		1	3, 7	L	12, 15, 16				Left
	05127105AA	1	2, 6	L	01, 02, 06				Heated, Left
		1	2, 6	L	11, 12, 14, 15, 16				Heated, Left
		1	2, 6	L	51, 52, 54, 55, 56				Heated, Left
		1	2, 6	L	51, 52, 54, 55, 56				Left
		1	3, 7	L	02, 06				Left
	05127110AA	1	2, 6	L	01, 02, 06				Comfort Seat, Left
		1	2, 6	L	11, 12, 14, 15, 16				Comfort Seat, Left
		1	2, 6	L	51, 52, 54, 55, 56				Comfort Seat, Left
		1	3, 7	L	02, 06				Comfort Seat, Left
		1	3, 7	L	02, 06				Heated, Left
		1	3, 7	L	12, 15, 16				Heated, Left
	05127114AA	1	2, 6	L	51, 52, 54, 55, 56				Comfort Seat, Right
		1	3, 7	L	02, 06				Comfort Seat, Right
		1	3, 7	L	12, 15, 16				Comfort Seat, Right
		1	3, 7	L	12, 15, 16				Comfort Seat, Left
		1	6, 2	L	01, 02, 06				Comfort Seat, Right



Santos

SPRINTER (VA)

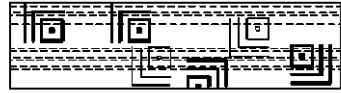
SERIES	LINE	BODY	ENGINE	TRANSMISSION
L = LOWLINE	3 = HD DODGE 2WD 8 = HD DODGE 4WD 6 = Lt. Duty DODGE 4WD 2 = Med. Duty DODGE 2WD 7 = Med. Duty DODGE 4WD 4 = TRUCK	12 = Van 140" 51 = Wagon 118" 52 = Wagon 140" 14 = Van 118" 15 = Van 140" 16 = Van 158" 54 = Wagon 118" 55 = Wagon 140" 56 = Wagon 158" 01 = Chassis Forward Control 118" 02 = Chassis Forward Control 140" 06 = Front Section 158" 11 = Van 118"	EX8 = Engine - 2.7L I5 Mercedes-Benz TD	DGJ = Transmission - 5-Spd Auto, MB

AR = use ase required - = Non illustrated part

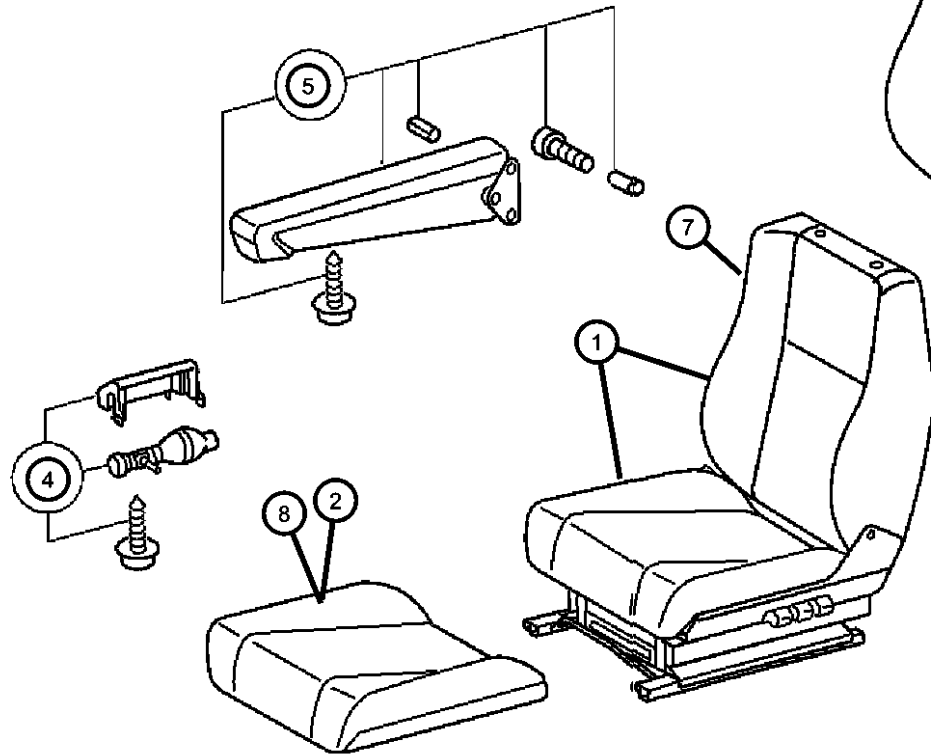
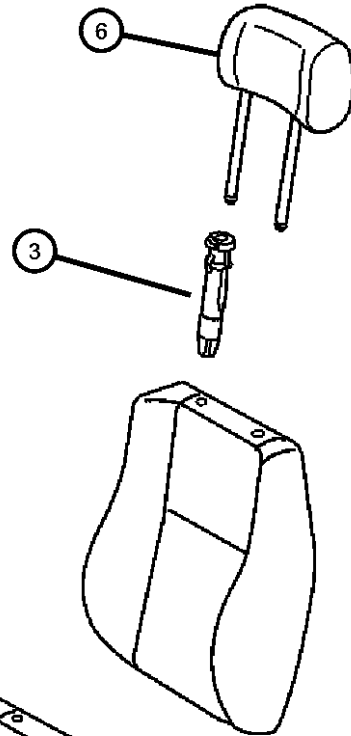
2005 VA

<< RETURN TO GROUP INDEX

**Front Seat, Trim Code [B7], Santos
Figure IVA-515**



Santos



ITEM	PART NUMBER	QTY	LINE	SERIES	BODY	ENGINE	TRANS	TRIM	DESCRIPTION
		1	2, 6	L	11, 12, 14, 15, 16				Comfort Seat, Right
2									CUSHION, Front Seat, Driver
	05133236AA	1	2, 6	L	01, 02, 06				Canada
		1	2, 6	L	11, 12, 14, 15, 16				Canada
		1	2, 6	L	51, 52, 54, 55, 56				Canada
		1	3, 7	L	02, 06				Canada
	05133234AA	1	2, 6	L	01, 02, 06				
		1	2, 6	L	11, 12, 14, 15, 16				
		1	2, 6	L	51, 52, 54, 55, 56				
		1	3, 7	L	02, 06				
		1	3, 7	L	12, 15, 16				
		1	3, 7	L	12, 15, 16				Canada
3									SLEEVE, Headrest
	1AV08AA7AA	2	2, 6	L	51, 52, 54, 55, 56			*B7	
		2	2, 6	L	01, 02, 06			*B7	
		2	2, 6	L	11, 12, 14, 15, 16			*B7	
		2	3, 7	L	02, 06			*B7	
		2	3, 7	L	12, 15, 16			*B7	
4									PUMP, Lumbar Support
	05127631AA	1	2, 6	L	01, 02, 06				
		1	2, 6	L	11, 12, 14, 15, 16				
		1	2, 6	L	51, 52, 54, 55, 56				
		1	3, 7	L	02, 06				
		1	3, 7	L	12, 15, 16				

SPRINTER (VA)

SERIES

L = LOWLINE

LINE

- 3 = HD DODGE 2WD
- 8 = HD DODGE 4WD
- 6 = Lt. Duty DODGE 4WD
- 2 = Med. Duty DODGE 2WD
- 7 = Med. Duty DODGE 4WD
- 4 = TRUCK

BODY

- 12 = Van 140"
- 51 = Wagon 118"
- 52 = Wagon 140"
- 14 = Van 118"
- 15 = Van 140"
- 16 = Van 158"
- 54 = Wagon 118"
- 55 = Wagon 140"
- 56 = Wagon 158"
- 01 = Chassis Forward Control 118"
- 02 = Chassis Forward Control 140"
- 06 = Front Section 158"
- 11 = Van 118"

ENGINE

- EX8 = Engine - 2.7L I5
- Mercedes-Benz TD

TRANSMISSION

- DGJ = Transmission - 5-Spd Auto, MB

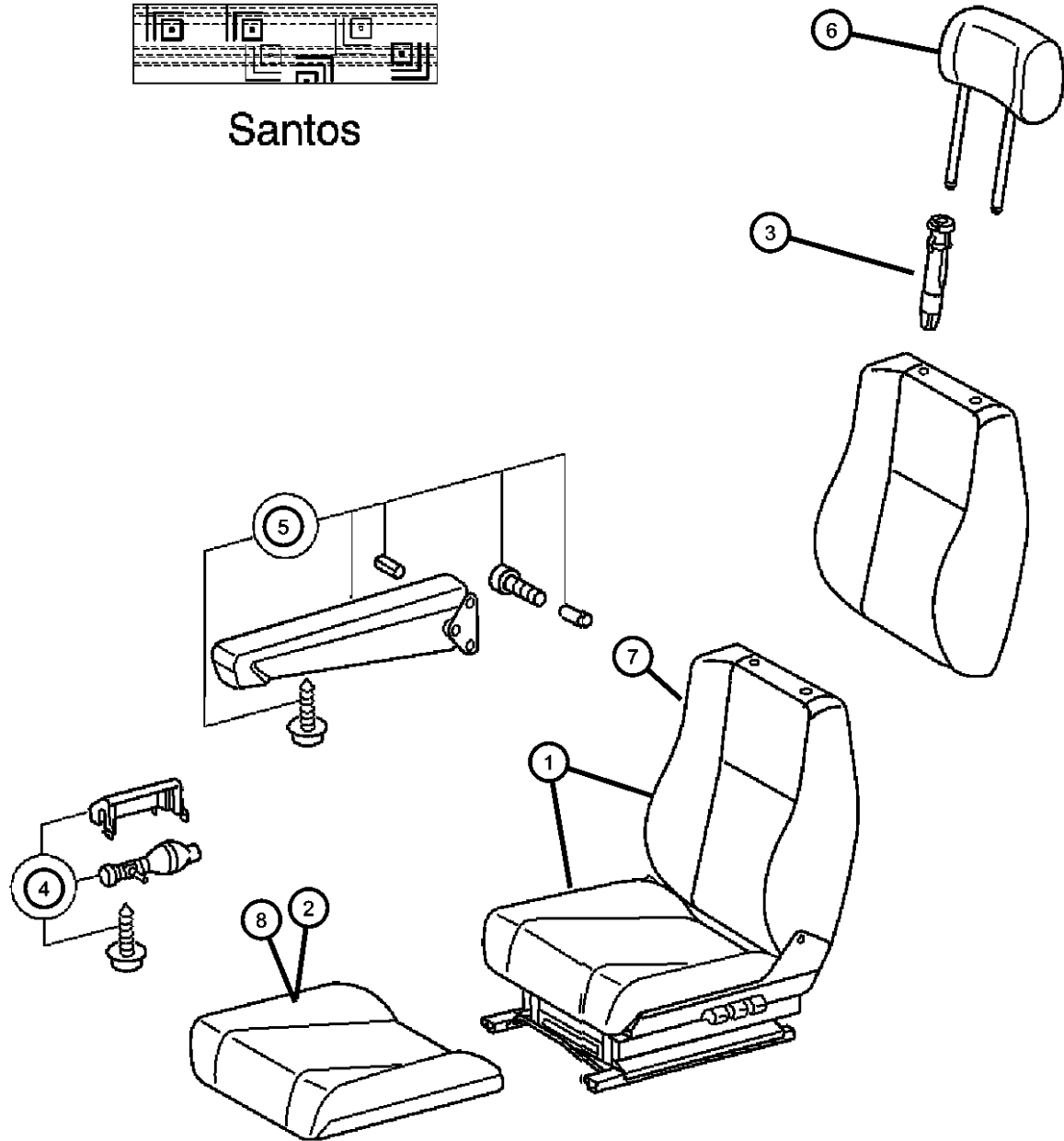
AR = use ase required - = Non illustrated part

2005 VA

**Front Seat, Trim Code [B7], Santos
Figure IVA-515**



Santos



ITEM	PART NUMBER	QTY	LINE	SERIES	BODY	ENGINE	TRANS	TRIM	DESCRIPTION
5									ARMREST, Seat
	05103711AA	1	2, 6	L	01, 02, 06				With Mounting Hardware, Right
		1	2, 6	L	11, 12, 14, 15, 16				With Mounting Hardware, Right
		1	2, 6	L	51, 52, 54, 55, 56				With Mounting Hardware, Right
	05103710AA	1	2, 6	L	01, 02, 06				With Mounting Hardware, Left
		1	2, 6	L	11, 12, 14, 15, 16				With Mounting Hardware, Left
		1	2, 6	L	51, 52, 54, 55, 56				With Mounting Hardware, Left
6									HEADREST
	05125377AA	1	2, 6	L	01, 02, 06				
		1	2, 6	L	11, 12, 14, 15, 16				
		1	2, 6	L	51, 52, 54, 55, 56				
		1	3, 7	L	02, 06				
		1	3, 7	L	12, 15, 16				
7									BACK, Front Seat
	05133276AA	1	2, 6	L	01, 02, 06				Right
		1	2, 6	L	11, 12, 14, 15, 16				Right
		1	2, 6	L	51, 52, 54, 55, 56				Right
		1	3, 7	L	02, 06				Right
		1	3, 7	L	12, 15, 16				Right
8									CUSHION, Front Seat, Passenger
	05133244AA	1	2, 6	L	01, 02, 06				
		1	2, 6	L	11, 12, 14, 15, 16				
		1	2, 6	L	51, 52, 54, 55, 56				

SPRINTER (VA)

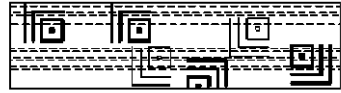
SERIES	LINE	BODY	ENGINE	TRANSMISSION
L = LOWLINE	3 = HD DODGE 2WD 8 = HD DODGE 4WD 6 = Lt. Duty DODGE 4WD 2 = Med. Duty DODGE 2WD 7 = Med. Duty DODGE 4WD 4 = TRUCK	12 = Van 140" 51 = Wagon 118" 52 = Wagon 140" 14 = Van 118" 15 = Van 140" 16 = Van 158" 54 = Wagon 118" 55 = Wagon 140" 56 = Wagon 158"	EX8 = Engine - 2.7L I5 Mercedes-Benz TD	DGJ = Transmission - 5-Spd Auto, MB
		01 = Chassis Forward Control 118" 02 = Chassis Forward Control 140" 06 = Front Section 158" 11 = Van 118"		

AR = use ase required - = Non illustrated part

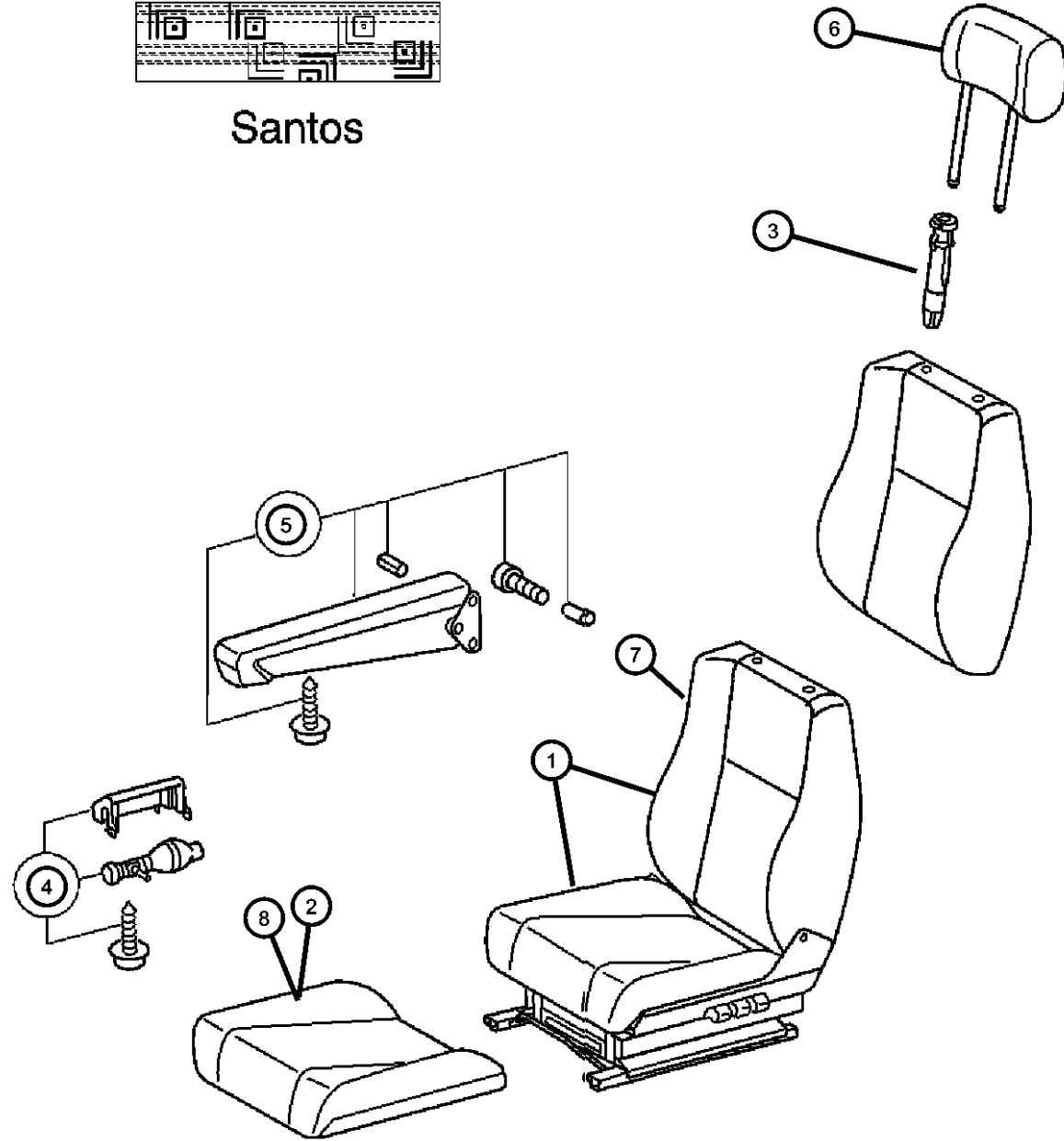
Front Seat, Trim Code [B7], Santos
Figure IVA-515

ITEM	PART NUMBER	QTY	LINE	SERIES	BODY	ENGINE	TRANS	TRIM	DESCRIPTION
------	-------------	-----	------	--------	------	--------	-------	------	-------------

1	3, 7	L	02, 06
1	3, 7	L	12, 15, 16



Santos



SPRINTER (VA)

SERIES

L = LOWLINE

LINE

3 = HD DODGE 2WD
 8 = HD DODGE 4WD
 6 = Lt. Duty DODGE 4WD
 2 = Med. Duty DODGE 2WD
 7 = Med. Duty DODGE 4WD
 4 = TRUCK

BODY

12 = Van 140"
 51 = Wagon 118"
 52 = Wagon 140"
 14 = Van 118"
 15 = Van 140"
 16 = Van 158"
 54 = Wagon 118"
 55 = Wagon 140"
 56 = Wagon 158"
 01 = Chassis Forward Control 118"
 02 = Chassis Forward Control 140"
 06 = Front Section 158"
 11 = Van 118"

ENGINE

EX8 = Engine - 2.7L I5
 Mercedes-Benz TD

TRANSMISSION

DGJ = Transmission - 5-Spd Auto, MB

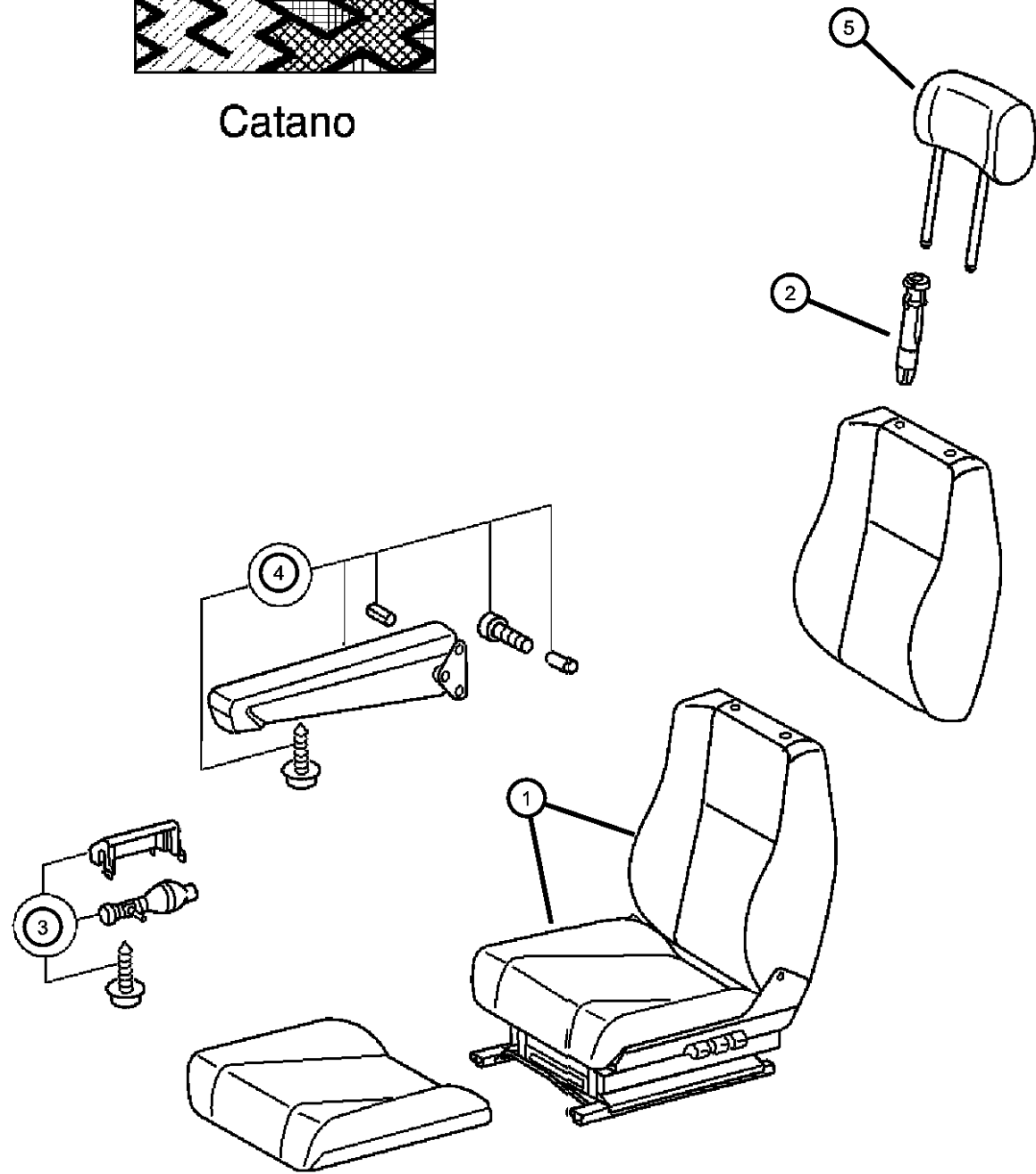
AR = use ase required - = Non illustrated part

2005 VA

Front Seat - Catano
Figure IVA-520



Catano



ITEM	PART NUMBER	QTY	LINE	SERIES	BODY	ENGINE	TRANS	TRIM	DESCRIPTION
1									SEAT COMPLETE, Front
	05126994AA	1	2, 6	L	51, 52, 54, 55, 56			*C7	Left
		1	3, 7	L	02, 06			*C7	Left
		1	2, 6	L	01, 02, 06			*C7	Left
		1	6, 2	L	11, 12, 14, 15, 16			*C7	Left
		1	3, 7	L	12, 15, 16			*C7	Left
2									SLEEVE, Headrest
	1AV08AA7AA	2	2, 6	L	51, 52, 54, 55, 56			*C7	
		2	2, 6	L	01, 02, 06			*B7	
		2	2, 6	L	11, 12, 14, 15, 16			*B7	
		2	3, 7	L	02, 06			*B7	
		2	3, 7	L	12, 15, 16			*B7	
3									PUMP, Lumbar Support
	05127631AA	1	2, 6	L	11, 12, 14, 15, 16				
		1	2, 6	L	51, 52, 54, 55, 56				
		1	2, 6	L	01, 02, 06				
		1	3, 7	L	02, 06				
		1	3, 7	L	12, 15, 16				
4									ARMREST, Seat
	05103711AA	1	2, 6	L	51, 52, 54, 55, 56				Right
	05103710AA	1	2, 6	L	01, 02, 06				Left
		1	2, 6	L	11, 12, 14, 15, 16				Left
		1	2, 6	L	51, 52, 54, 55, 56				Left
		1	2, 6	L	01, 02, 06				Right

SPRINTER (VA)

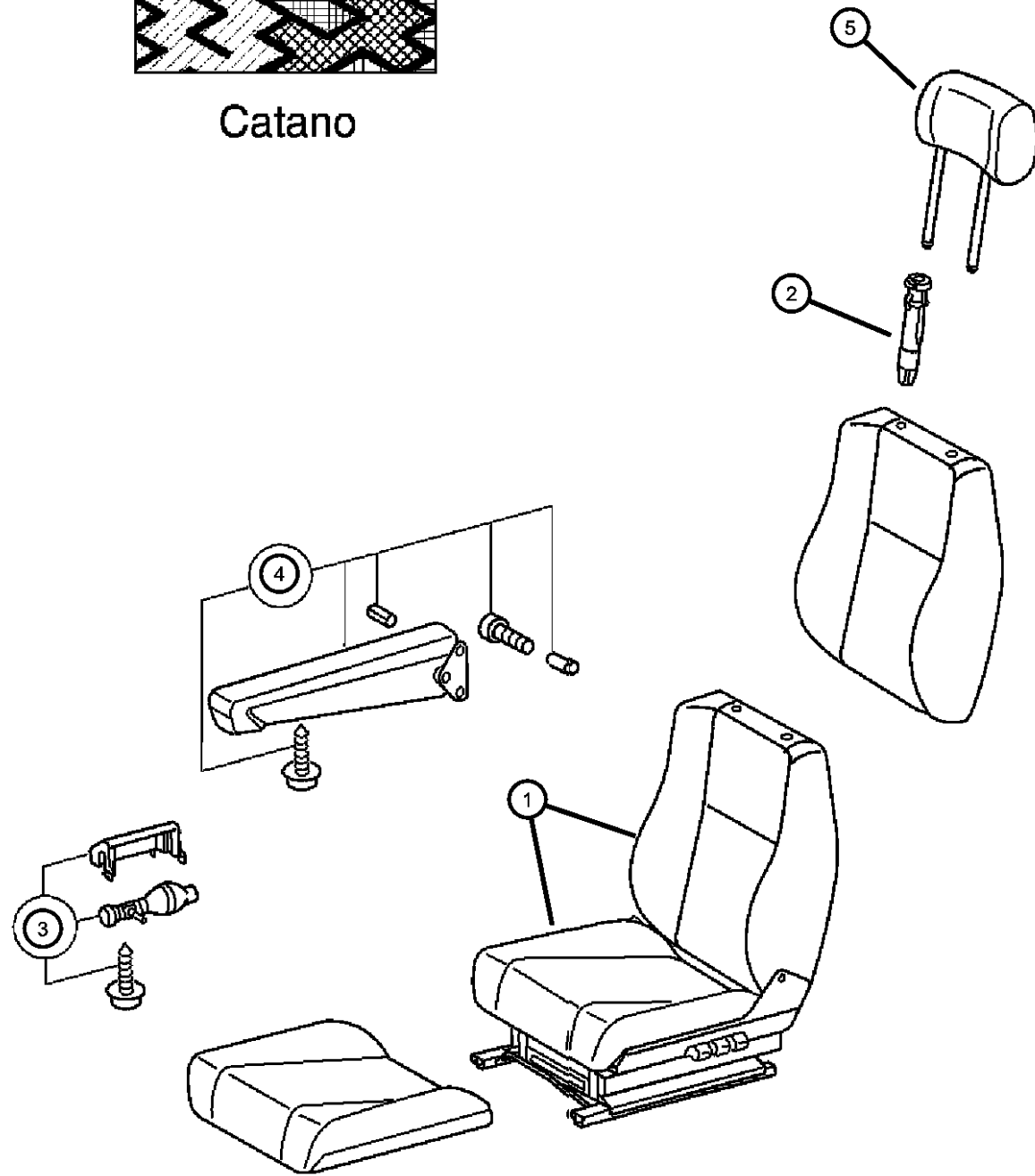
SERIES	LINE	BODY	ENGINE	TRANSMISSION
L = LOWLINE	3 = HD DODGE 2WD 8 = HD DODGE 4WD 6 = Lt. Duty DODGE 4WD 2 = Med. Duty DODGE 2WD 7 = Med. Duty DODGE 4WD 4 = TRUCK	12 = Van 140" 51 = Wagon 118" 52 = Wagon 140" 14 = Van 118" 15 = Van 140" 16 = Van 158" 54 = Wagon 118" 55 = Wagon 140" 56 = Wagon 158" 01 = Chassis Forward Control 118" 02 = Chassis Forward Control 140" 06 = Front Section 158" 11 = Van 118"	EX8 = Engine - 2.7L I5 Mercedes-Benz TD	DGJ = Transmission - 5-Spd Auto, MB

AR = use ase required - = Non illustrated part

Front Seat - Catano
Figure IVA-520



Catano



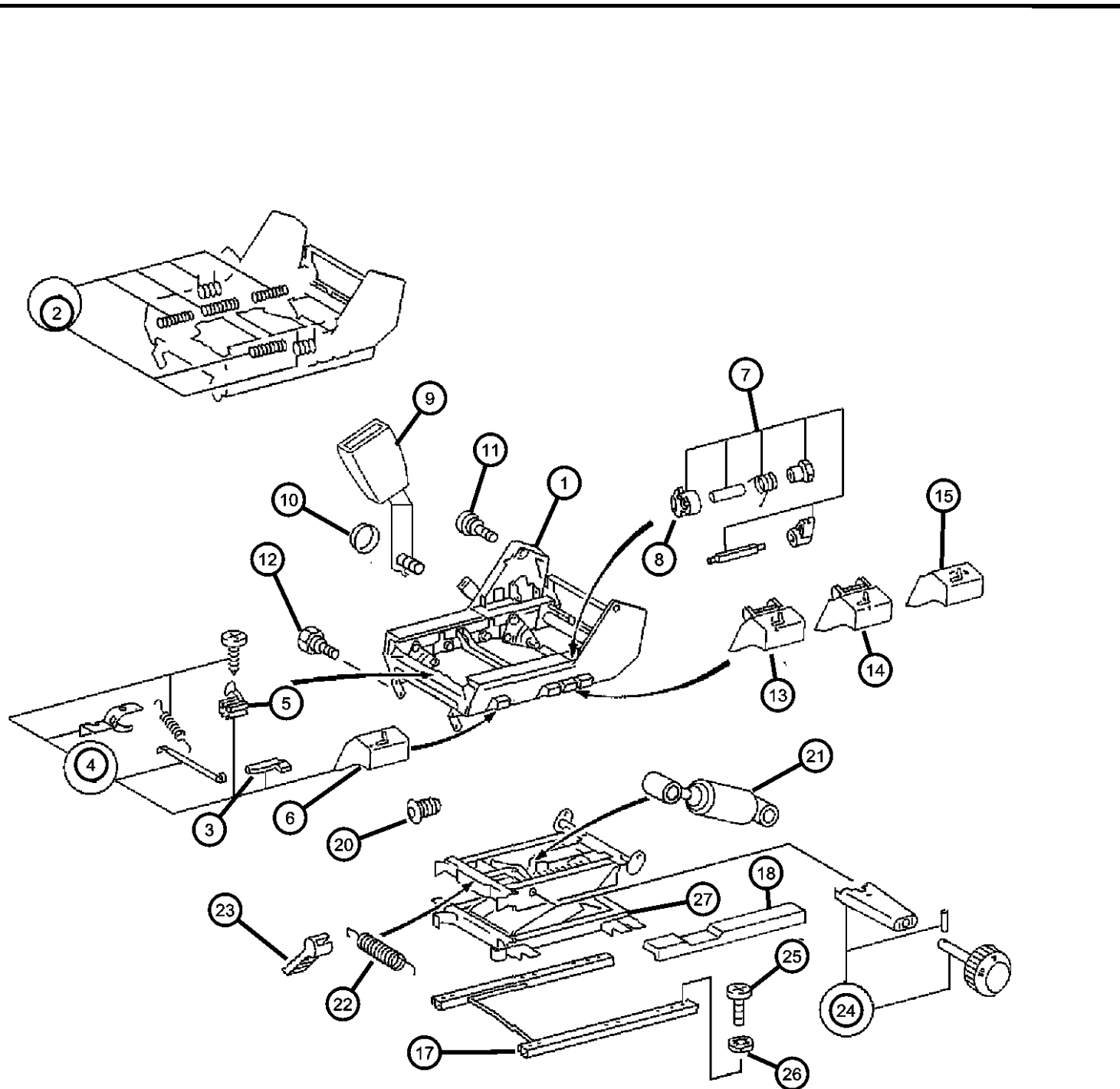
ITEM	PART NUMBER	QTY	LINE	SERIES	BODY	ENGINE	TRANS	TRIM	DESCRIPTION
		1	2, 6	L	11, 12, 14, 15, 16				Right
5	05104534AA	3	2, 6	L	11, 12, 14, 15, 16				HEADREST Catano
		2	3, 7	L	12, 15, 16				Catano

SPRINTER (VA)

SERIES	LINE	BODY	ENGINE	TRANSMISSION
L = LOWLINE	3 = HD DODGE 2WD 8 = HD DODGE 4WD 6 = Lt. Duty DODGE 4WD 2 = Med. Duty DODGE 2WD 7 = Med. Duty DODGE 4WD 4 = TRUCK	12 = Van 140" 51 = Wagon 118" 52 = Wagon 140" 14 = Van 118" 15 = Van 140" 16 = Van 158" 54 = Wagon 118" 55 = Wagon 140" 56 = Wagon 158" 01 = Chassis Forward Control 118" 02 = Chassis Forward Control 140" 06 = Front Section 158" 11 = Van 118"	EX8 = Engine - 2.7L I5 Mercedes-Benz TD	DGJ = Transmission - 5-Spd Auto, MB

AR = use ase required - = Non illustrated part

Front Seat - Attaching Parts
Figure IVA-525



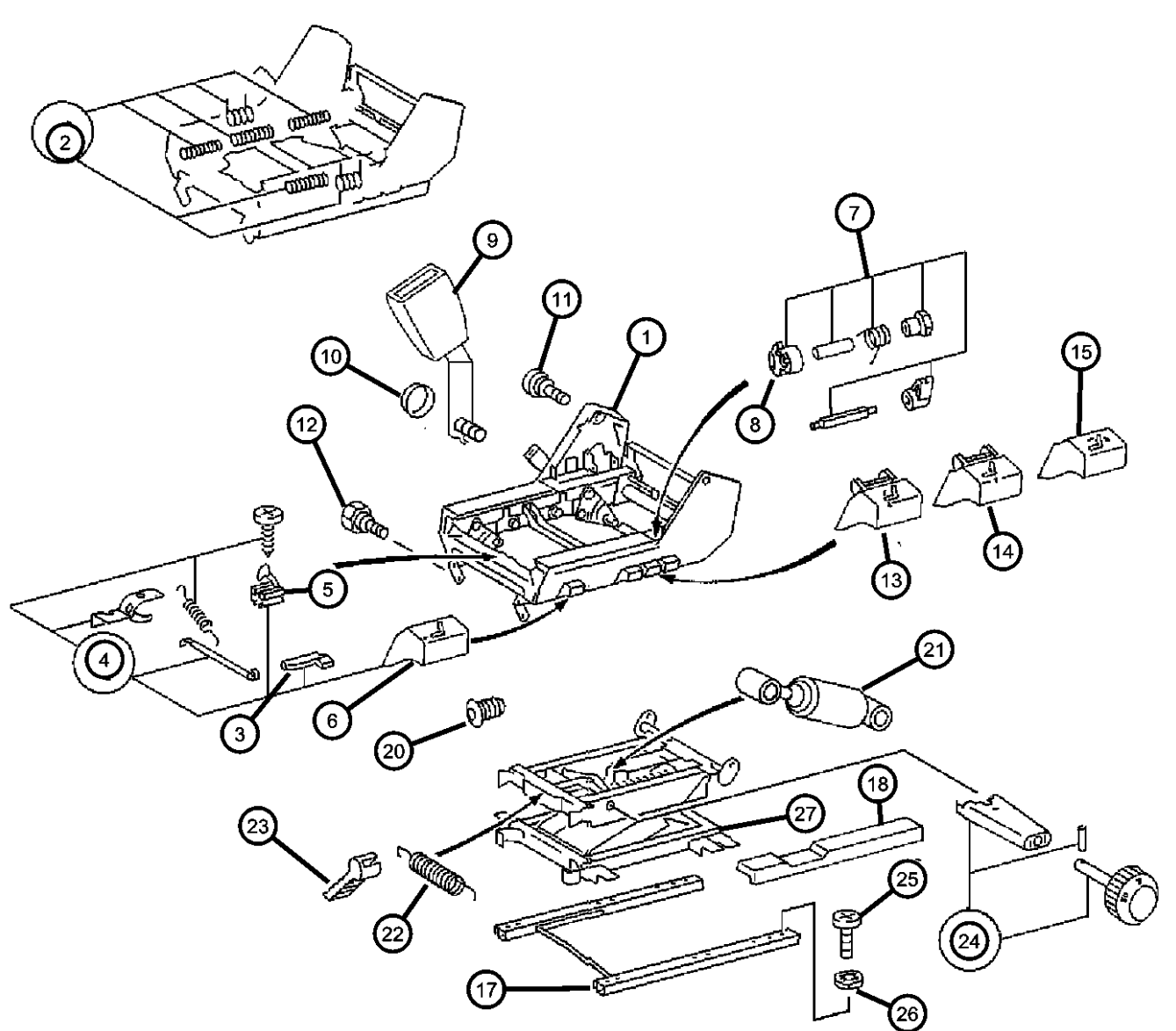
ITEM	PART NUMBER	QTY	LINE	SERIES	BODY	ENGINE	TRANS	TRIM	DESCRIPTION
1									ADJUSTER, Seat
	05103703AA	1	2, 6	L	01, 02, 06				Driver
		1	2, 6	L	11, 12, 14, 15, 16				Driver
	05133211AA	1	2, 6	L	01, 02, 06				[CDD] , Luxury Bucket, Driver
		1	2, 6	L	11, 12, 14, 15, 16				[CDD] , Luxury Bucket, Driver
		1	2, 6	L	51, 52, 54, 55, 56				[CDD] , Luxury Bucket, Driver
		1	3, 7	L	02, 06				[CDD] , Luxury Bucket, Driver
		1	3, 7	L	12, 15, 16				[CDD] , Luxury Bucket, Driver
	05133264AA	1	2, 6	L	01, 02, 06				[CDY] , Luxury Bucket, Passenger
		1	2, 6	L	11, 12, 14, 15, 16				[CDY] , Luxury Bucket, Passenger
		1	2, 6	L	51, 52, 54, 55, 56				[CDY] , Luxury Bucket
		1	3, 7	L	02, 06				[CDY] , Luxury Bucket
		1	2, 6	L	51, 52, 54, 55, 56				Driver
		1	3, 7	L	02, 06				Driver
	05133266AA	1	3, 7	L	12, 15, 16				Driver
		1	3, 7	L	02, 06				Driver
		1	3, 7	L	12, 15, 16				[CDY] , Luxury Bucket
		1	3, 7	L	12, 15, 16				[CDY] , Luxury Bucket
		1	2, 6	L	01, 02, 06				[CDY] , Luxury Bucket
		1	2, 6	L	11, 12, 14, 15, 16				[CDY] , Luxury Bucket
		1	2, 6	L	51, 52, 54, 55, 56				[CDY] , Luxury Bucket
2									SPRING, Seat Track Adjuster
	05133214AA	1	2, 6	L	01, 02, 06				Driver
		1	2, 6	L	11, 12, 14, 15, 16				Driver

SPRINTER (VA)

SERIES	LINE	BODY	ENGINE	TRANSMISSION	
L = LOWLINE	3 = HD DODGE 2WD 8 = HD DODGE 4WD 6 = Lt. Duty DODGE 4WD 2 = Med. Duty DODGE 2WD 7 = Med. Duty DODGE 4WD 4 = TRUCK	12 = Van 140" 51 = Wagon 118" 52 = Wagon 140" 14 = Van 118" 15 = Van 140" 16 = Van 158" 54 = Wagon 118" 55 = Wagon 140" 56 = Wagon 158"	01 = Chassis Forward Control 118" 02 = Chassis Forward Control 140" 06 = Front Section 158" 11 = Van 118"	EX8 = Engine - 2.7L I5 Mercedes-Benz TD	DGJ = Transmission - 5-Spd Auto, MB

AR = use ase required - = Non illustrated part

Front Seat - Attaching Parts
Figure IVA-525



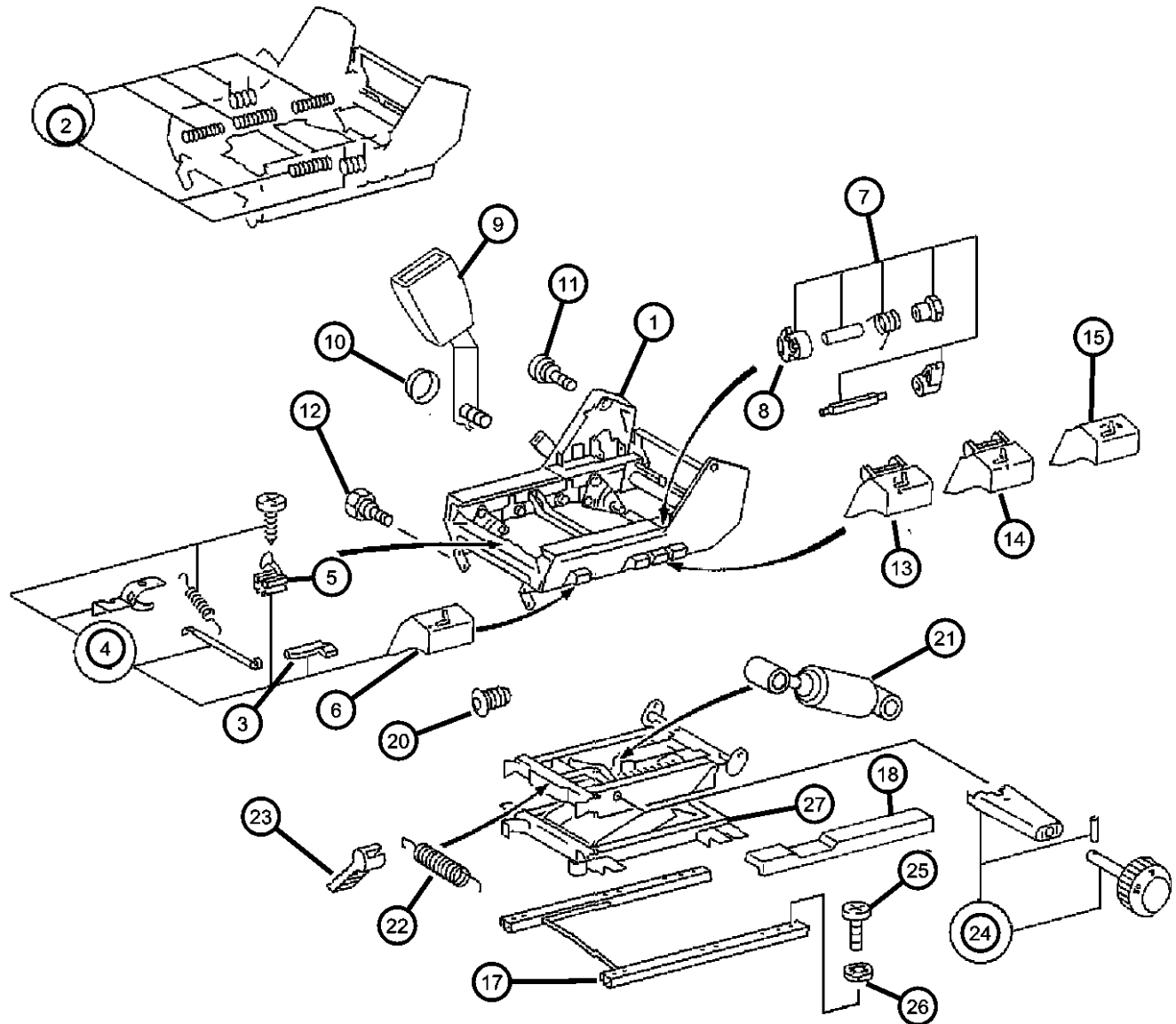
ITEM	PART NUMBER	QTY	LINE	SERIES	BODY	ENGINE	TRANS	TRIM	DESCRIPTION
		1	2, 6	L	51, 52, 54, 55, 56				
		1	3, 7	L	02, 06				
		1	3, 7	L	12, 15, 16				
3									HANDLE, Seat Adjuster, Handle Only
	05133216AA	1	2, 6	L	01, 02, 06				Seat Cushion Depth, Driver Side
		1	2, 6	L	11, 12, 14, 15, 16				Seat Cushion Depth, Driver Side
		1	2, 6	L	51, 52, 54, 55, 56				Seat Cushion Depth, Driver Side
		1	3, 7	L	02, 06				Seat Cushion Depth, Driver Side
		1	3, 7	L	12, 15, 16				Seat Cushion Depth, Driver Side
4									HANDLE, Seat Adjuster, Handle Pkg
	05142291AA	1	2, 6	L	01, 02, 06			*B7	
		1	2, 6	L	11, 12, 14, 15, 16			*B7	
		1	3, 7	L	02, 06			*B7	
		1	3, 7	L	12, 15, 16			*B7	
5									LOCK, Adjuster
	05133215AA	1	2, 6	L	11, 12, 14, 15, 16				
		1	2, 6	L	51, 52, 54, 55, 56				
		1	3, 7	L	02, 06				
		1	3, 7	L	12, 15, 16				
		1	6, 2	L	01, 02, 06				
6									HANDLE, Seat Adjuster
	05133216AA	1	2, 6	L	01, 02, 06				Seat Cushion Depth, Driver Side
		1	2, 6	L	11, 12, 14, 15, 16				Seat Cushion Depth, Driver Side

SPRINTER (VA)

SERIES	LINE	BODY	ENGINE	TRANSMISSION
L = LOWLINE	3 = HD DODGE 2WD 8 = HD DODGE 4WD 6 = Lt. Duty DODGE 4WD 2 = Med. Duty DODGE 2WD 7 = Med. Duty DODGE 4WD 4 = TRUCK	12 = Van 140" 51 = Wagon 118" 52 = Wagon 140" 14 = Van 118" 15 = Van 140" 16 = Van 158" 54 = Wagon 118" 55 = Wagon 140" 56 = Wagon 158" 01 = Chassis Forward Control 118" 02 = Chassis Forward Control 140" 06 = Front Section 158" 11 = Van 118"	EX8 = Engine - 2.7L I5 Mercedes-Benz TD	DGJ = Transmission - 5-Spd Auto, MB

AR = use ase required - = Non illustrated part

Front Seat - Attaching Parts
Figure IVA-525



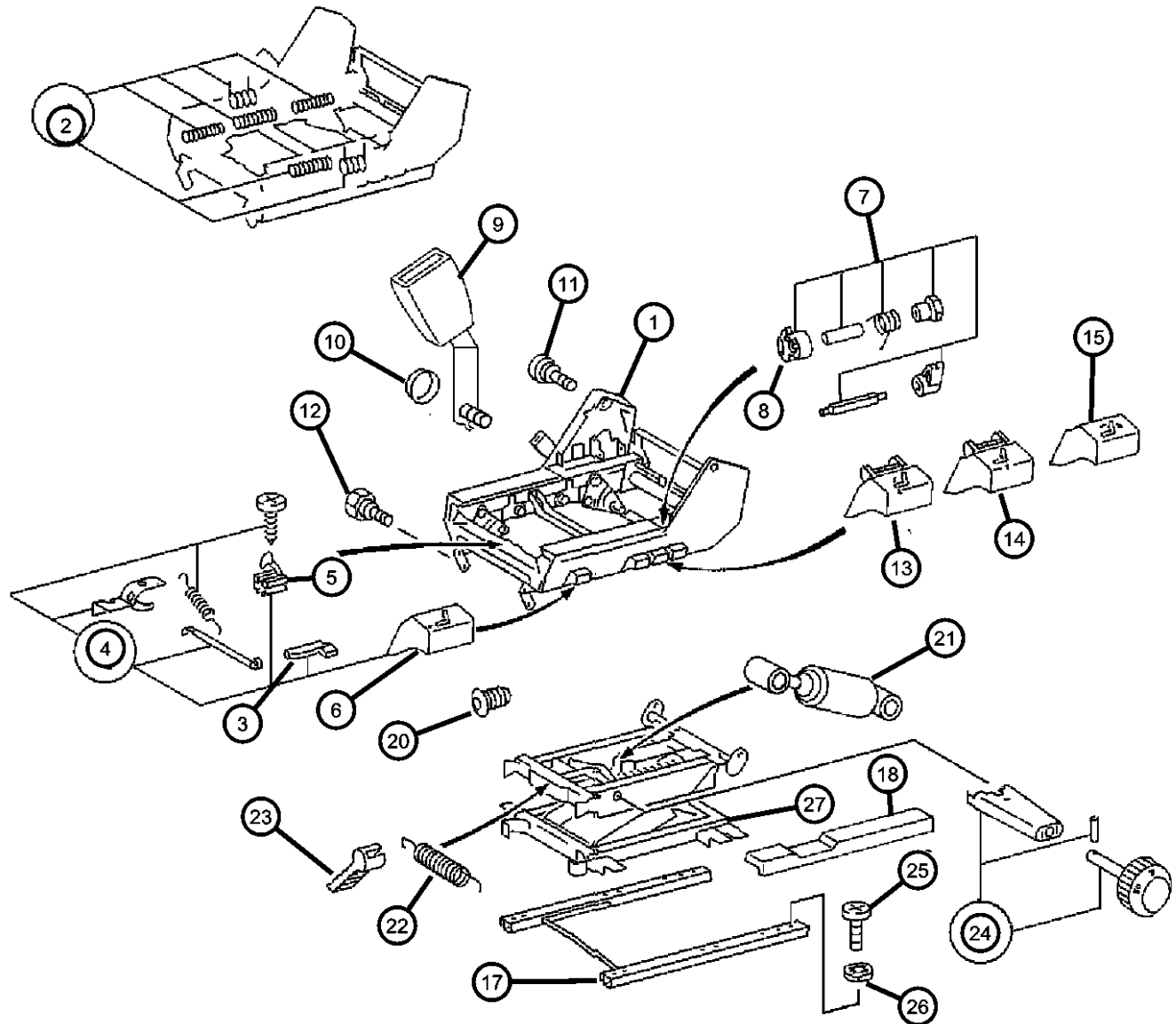
ITEM	PART NUMBER	QTY	LINE	SERIES	BODY	ENGINE	TRANS	TRIM	DESCRIPTION
		1	2, 6	L	51, 52, 54, 55, 56				Seat Cushion Depth, Driver Side
	05133267AA	1	2, 6	L	01, 02, 06				Seat Cushion Depth, Passenger Side
		1	2, 6	L	11, 12, 14, 15, 16				Seat Cushion Depth, Passenger Side
		1	2, 6	L	51, 52, 54, 55, 56				Seat Cushion Depth, Passenger Side
7									HARDWARE KIT
	05133217AA	1	2, 6	L	11, 12, 14, 15, 16				
		1	2, 6	L	51, 52, 54, 55, 56				
		1	3, 7	L	02, 06				
		1	3, 7	L	12, 15, 16				
		1	2, 6	L	01, 02, 06				
8									LOCK, Adjuster
	05133269AA	1	2, 6	L	01, 02, 06				
		1	2, 6	L	11, 12, 14, 15, 16				
		1	2, 6	L	51, 52, 54, 55, 56				
		1	3, 7	L	02, 06				
		1	3, 7	L	12, 15, 16				
9		1							SEAT BELT, Front, For Part Numbers See Ill 710, (NOT SERVICED)
10									CAP, Screw Cover
	05125999AA	1	2, 6	L	51, 52, 54, 55, 56				
		2	2, 6	L	01, 02, 06				
		1	2, 6	L	11, 12, 14, 15, 16				
		1	3, 7	L	12, 15, 16				

SPRINTER (VA)

SERIES	LINE	BODY	ENGINE	TRANSMISSION
L = LOWLINE	3 = HD DODGE 2WD 8 = HD DODGE 4WD 6 = Lt. Duty DODGE 4WD 2 = Med. Duty DODGE 2WD 7 = Med. Duty DODGE 4WD 4 = TRUCK	12 = Van 140" 51 = Wagon 118" 52 = Wagon 140" 14 = Van 118" 15 = Van 140" 16 = Van 158" 54 = Wagon 118" 55 = Wagon 140" 56 = Wagon 158" 01 = Chassis Forward Control 118" 02 = Chassis Forward Control 140" 06 = Front Section 158" 11 = Van 118"	EX8 = Engine - 2.7L I5 Mercedes-Benz TD	DGJ = Transmission - 5-Spd Auto, MB

AR = use ase required - = Non illustrated part

Front Seat - Attaching Parts
Figure IVA-525



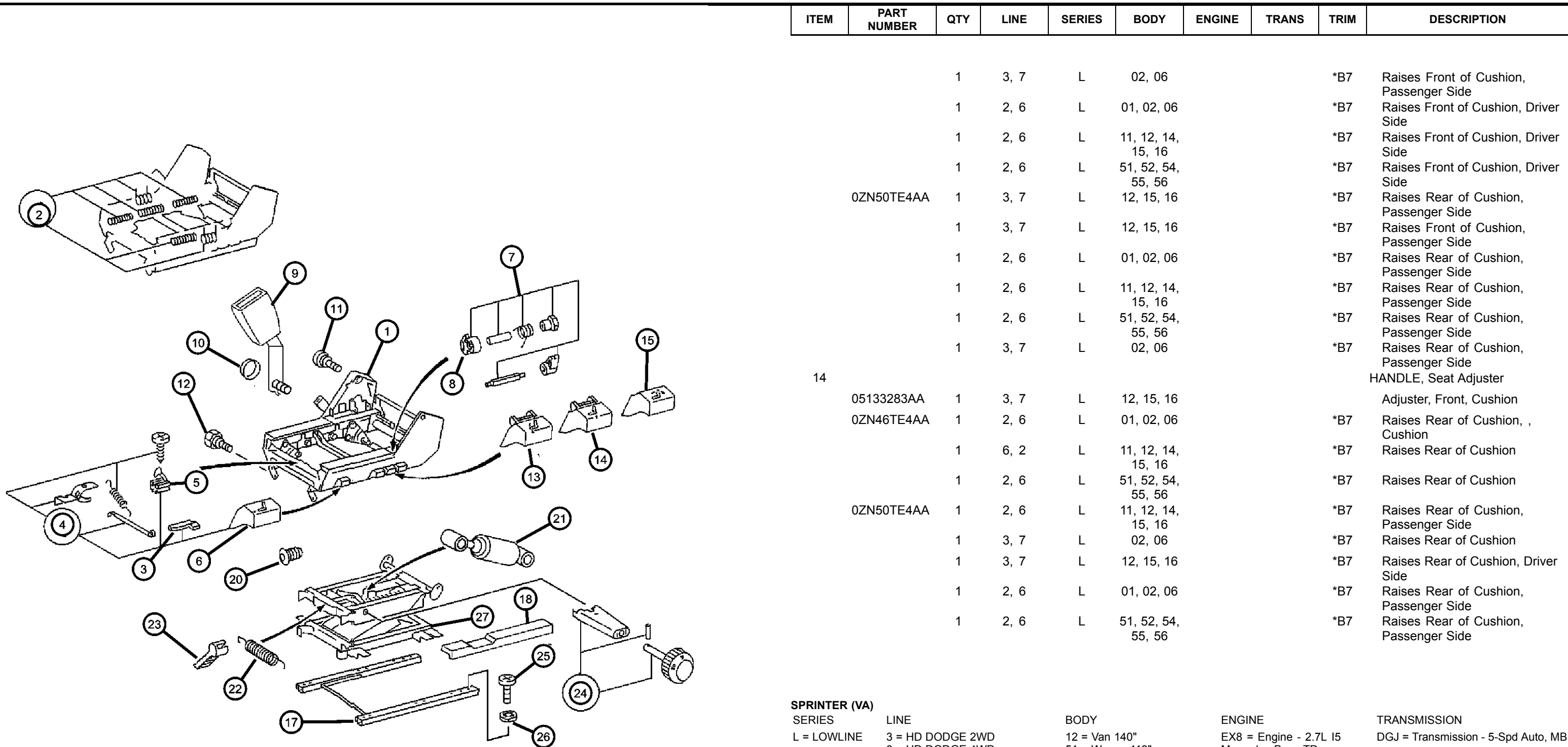
ITEM	PART NUMBER	QTY	LINE	SERIES	BODY	ENGINE	TRANS	TRIM	DESCRIPTION
11									BOLT, Pivot
	05133219AA	2	2, 6	L	01, 02, 06				
		2	2, 6	L	11, 12, 14, 15, 16				
		2	2, 6	L	51, 52, 54, 55, 56				
		2	3, 7	L	02, 06				
		2	3, 7	L	12, 15, 16				
12									BOLT, Seat
	05133220AA	2	2, 6	L	11, 12, 14, 15, 16				
		2	2, 6	L	01, 02, 06				
		2	2, 6	L	51, 52, 54, 55, 56				
		2	3, 7	L	02, 06				
		2	3, 7	L	12, 15, 16				
13									HANDLE, Seat Adjuster
	05133216AA	1	2, 6	L	01, 02, 06				Seat Cushion Depth, Driver Side
		1	2, 6	L	11, 12, 14, 15, 16				Seat Cushion Depth, Driver Side
		1	2, 6	L	51, 52, 54, 55, 56				Seat Cushion Depth, Driver Side
		1	3, 7	L	02, 06				Seat Cushion Depth, Driver Side
		1	3, 7	L	12, 15, 16				Seat Cushion Depth, Driver Side
	0ZN45TE4AA	1	3, 7	L	02, 06			*B7	Raises Front of Cushion, Driver Side
		1	3, 7	L	12, 15, 16			*B7	Raises Front of Cushion, Driver Side
	0ZN49TE4AA	1	2, 6	L	01, 02, 06			*B7	Raises Front of Cushion, Passenger Side
		1	2, 6	L	11, 12, 14, 15, 16			*B7	Raises Front of Cushion, Passenger Side
		1	2, 6	L	51, 52, 54, 55, 56			*B7	Raises Front of Cushion, Passenger Side

SPRINTER (VA)

SERIES	LINE	BODY	ENGINE	TRANSMISSION
L = LOWLINE	3 = HD DODGE 2WD 8 = HD DODGE 4WD 6 = Lt. Duty DODGE 4WD 2 = Med. Duty DODGE 2WD 7 = Med. Duty DODGE 4WD 4 = TRUCK	12 = Van 140" 51 = Wagon 118" 52 = Wagon 140" 14 = Van 118" 15 = Van 140" 16 = Van 158" 54 = Wagon 118" 55 = Wagon 140" 56 = Wagon 158" 01 = Chassis Forward Control 118" 02 = Chassis Forward Control 140" 06 = Front Section 158" 11 = Van 118"	EX8 = Engine - 2.7L I5 Mercedes-Benz TD	DGJ = Transmission - 5-Spd Auto, MB

AR = use ase required - = Non illustrated part

Front Seat - Attaching Parts
Figure IVA-525



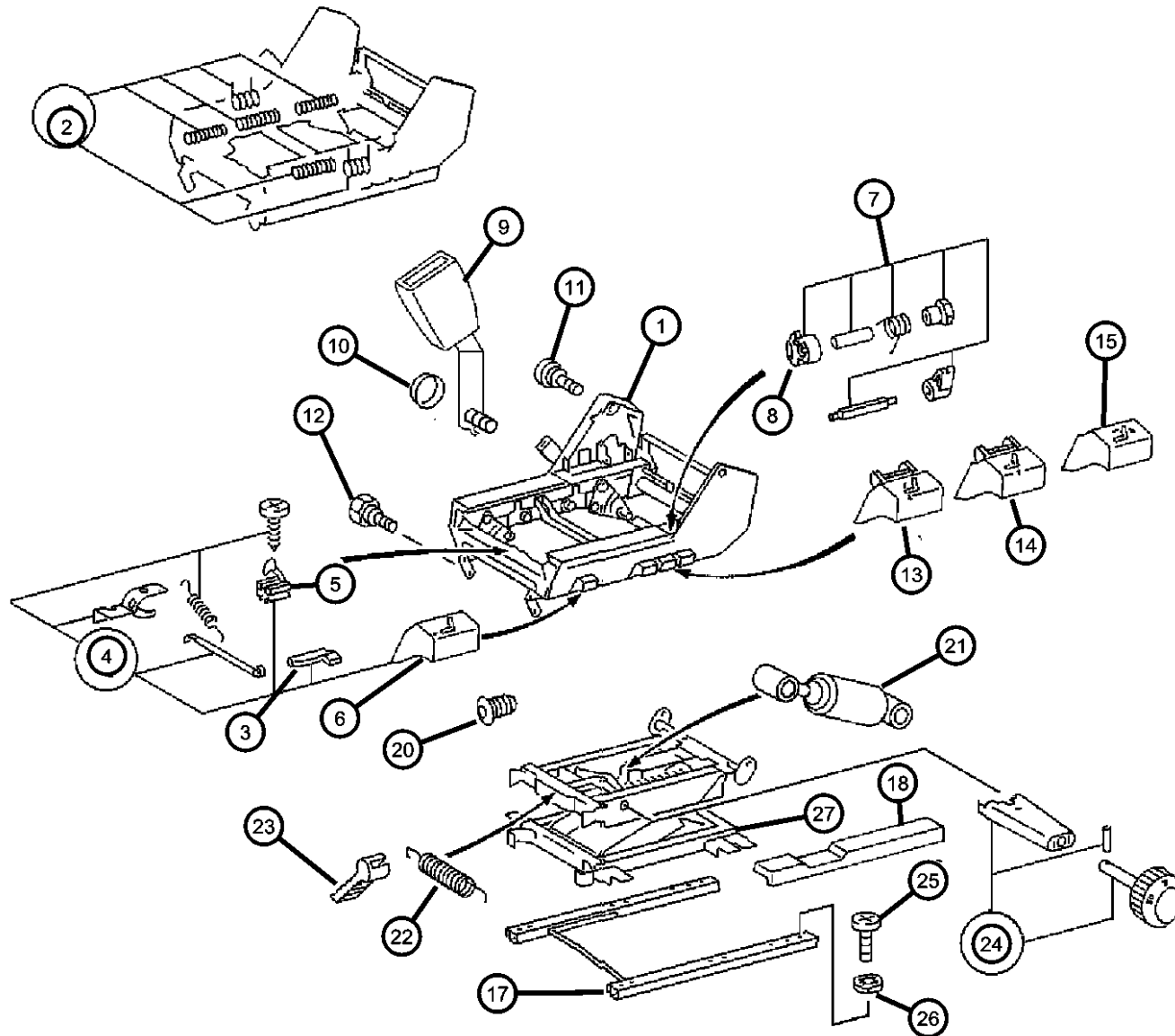
ITEM	PART NUMBER	QTY	LINE	SERIES	BODY	ENGINE	TRANS	TRIM	DESCRIPTION
		1	3, 7	L	02, 06			*B7	Raises Front of Cushion, Passenger Side
		1	2, 6	L	01, 02, 06			*B7	Raises Front of Cushion, Driver Side
		1	2, 6	L	11, 12, 14, 15, 16			*B7	Raises Front of Cushion, Driver Side
		1	2, 6	L	51, 52, 54, 55, 56			*B7	Raises Front of Cushion, Driver Side
	0ZN50TE4AA	1	3, 7	L	12, 15, 16			*B7	Raises Rear of Cushion, Passenger Side
		1	3, 7	L	12, 15, 16			*B7	Raises Front of Cushion, Passenger Side
		1	2, 6	L	01, 02, 06			*B7	Raises Rear of Cushion, Passenger Side
		1	2, 6	L	11, 12, 14, 15, 16			*B7	Raises Rear of Cushion, Passenger Side
		1	2, 6	L	51, 52, 54, 55, 56			*B7	Raises Rear of Cushion, Passenger Side
		1	3, 7	L	02, 06			*B7	Raises Rear of Cushion, Passenger Side
14									HANDLE, Seat Adjuster
	05133283AA	1	3, 7	L	12, 15, 16				Adjuster, Front, Cushion
	0ZN46TE4AA	1	2, 6	L	01, 02, 06			*B7	Raises Rear of Cushion, , Cushion
		1	6, 2	L	11, 12, 14, 15, 16			*B7	Raises Rear of Cushion
		1	2, 6	L	51, 52, 54, 55, 56			*B7	Raises Rear of Cushion
	0ZN50TE4AA	1	2, 6	L	11, 12, 14, 15, 16			*B7	Raises Rear of Cushion, Passenger Side
		1	3, 7	L	02, 06			*B7	Raises Rear of Cushion
		1	3, 7	L	12, 15, 16			*B7	Raises Rear of Cushion, Driver Side
		1	2, 6	L	01, 02, 06			*B7	Raises Rear of Cushion, Passenger Side
		1	2, 6	L	51, 52, 54, 55, 56			*B7	Raises Rear of Cushion, Passenger Side

SPRINTER (VA)

SERIES	LINE	BODY	ENGINE	TRANSMISSION
L = LOWLINE	3 = HD DODGE 2WD 8 = HD DODGE 4WD 6 = Lt. Duty DODGE 4WD 2 = Med. Duty DODGE 2WD 7 = Med. Duty DODGE 4WD 4 = TRUCK	12 = Van 140" 51 = Wagon 118" 52 = Wagon 140" 14 = Van 118" 15 = Van 140" 16 = Van 158" 54 = Wagon 118" 55 = Wagon 140" 56 = Wagon 158" 01 = Chassis Forward Control 118" 02 = Chassis Forward Control 140" 06 = Front Section 158" 11 = Van 118"	EX8 = Engine - 2.7L I5 Mercedes-Benz TD	DGJ = Transmission - 5-Spd Auto, MB

AR = use ase required - = Non illustrated part

Front Seat - Attaching Parts
Figure IVA-525



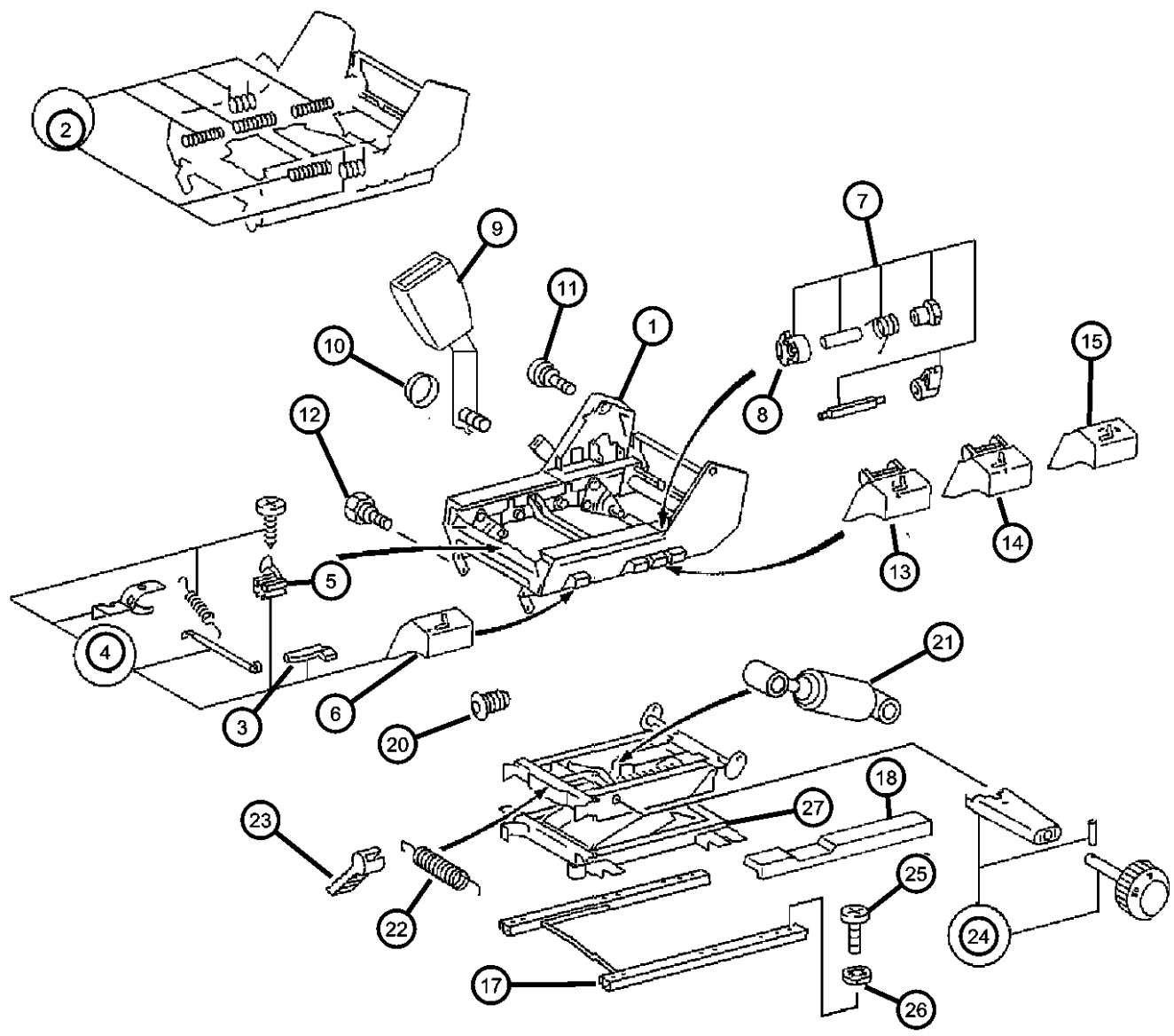
ITEM	PART NUMBER	QTY	LINE	SERIES	BODY	ENGINE	TRANS	TRIM	DESCRIPTION
		1	3, 7	L	02, 06			*B7	Raises Rear of Cushion, Passenger Side
		1	3, 7	L	12, 15, 16			*B7	Raises Rear of Cushion, Passenger Side
15	02N51TE4AA	1	2, 6	L	01, 02, 06			*B7	HANDLE, Seat Recliner Passenger Side
		1	2, 6	L	11, 12, 14, 15, 16			*B7	Passenger Side
		1	2, 6	L	51, 52, 54, 55, 56			*B7	Passenger Side
		1	3, 7	L	02, 06			*B7	Passenger Side
		1	3, 7	L	12, 15, 16			*B7	Passenger Side
-16	05103778AA	1	2, 6	L	01, 02, 06				HANDLE, Recliner
		1	2, 6	L	51, 52, 54, 55, 56				
		1	2, 6	L	11, 12, 14, 15, 16				
		1	3, 7	L	12, 15, 16				
		1	3, 7	L	02, 06				
17	05103702AA	1	2, 6	L	51, 52, 54, 55, 56				TRACK, Seat Adjuster
		1	2, 6	L	01, 02, 06				
		1	2, 6	L	11, 12, 14, 15, 16				
		1	3, 7	L	02, 06				
		1	3, 7	L	12, 15, 16				
18	05133224AA	1	2, 6	L	01, 02, 06				COVER, Seat Adjuster
		1	2, 6	L	11, 12, 14, 15, 16				

SPRINTER (VA)

SERIES	LINE	BODY	ENGINE	TRANSMISSION
L = LOWLINE	3 = HD DODGE 2WD 8 = HD DODGE 4WD 6 = Lt. Duty DODGE 4WD 2 = Med. Duty DODGE 2WD 7 = Med. Duty DODGE 4WD 4 = TRUCK	12 = Van 140" 51 = Wagon 118" 52 = Wagon 140" 14 = Van 118" 15 = Van 140" 16 = Van 158" 54 = Wagon 118" 55 = Wagon 140" 56 = Wagon 158" 01 = Chassis Forward Control 118" 02 = Chassis Forward Control 140" 06 = Front Section 158" 11 = Van 118"	EX8 = Engine - 2.7L I5 Mercedes-Benz TD	DGJ = Transmission - 5-Spd Auto, MB

AR = use ase required - = Non illustrated part

Front Seat - Attaching Parts
Figure IVA-525



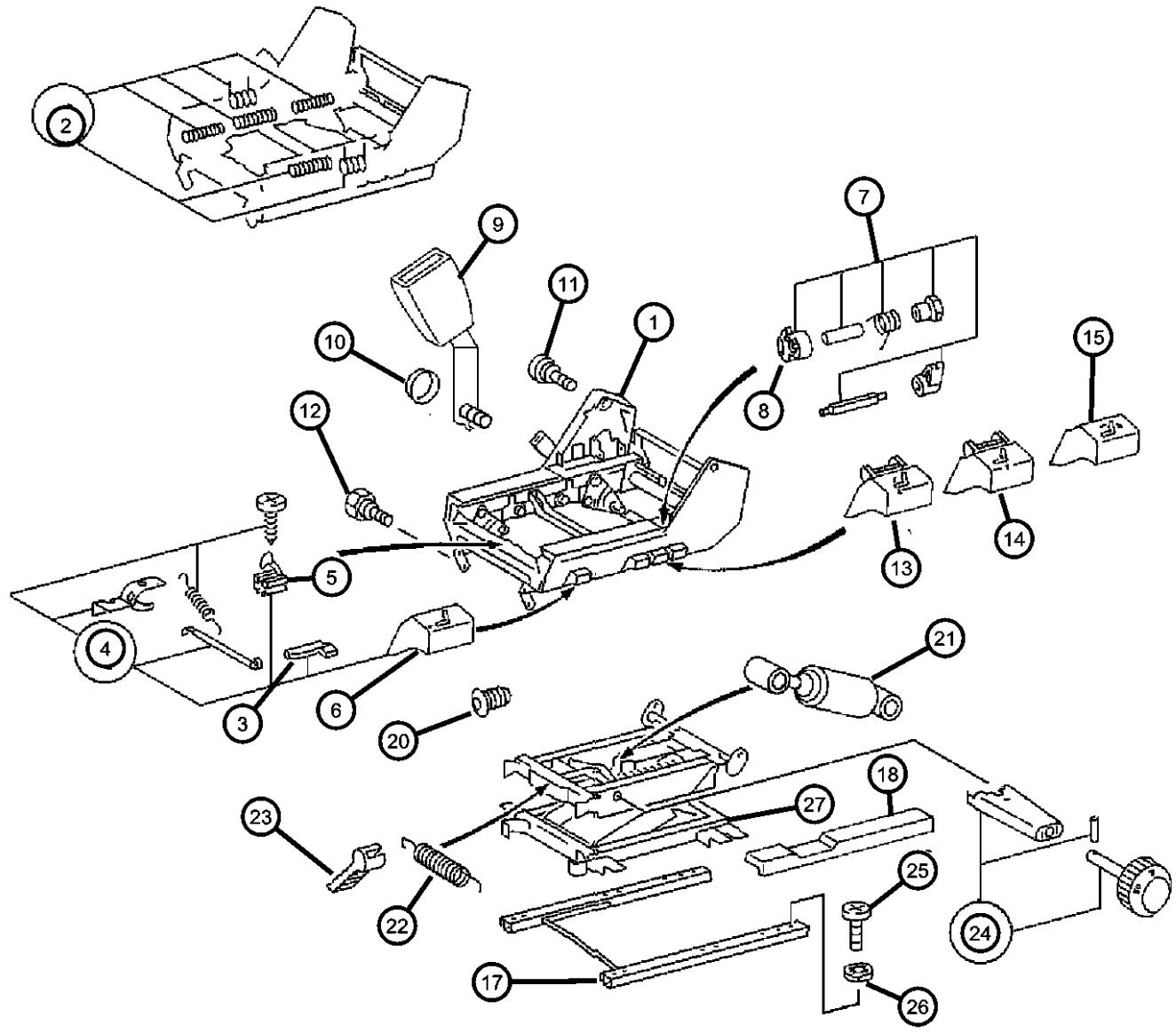
ITEM	PART NUMBER	QTY	LINE	SERIES	BODY	ENGINE	TRANS	TRIM	DESCRIPTION
		1	2, 6	L	51, 52, 54, 55, 56				
		1	3, 7	L	02, 06				
		1	3, 7	L	12, 15, 16				
-19	05133222AA	1	2, 6	L	01, 02, 06				SHIELD, Seat Adjuster
		1	2, 6	L	11, 12, 14, 15, 16				
		1	2, 6	L	51, 52, 54, 55, 56				
		1	3, 7	L	02, 06				
		1	3, 7	L	12, 15, 16				
20		1							PLUG, (NOT SERVICED)
21	05133483AA	1	2, 6	L	01, 02, 06				ABSORBER
		1	2, 6	L	11, 12, 14, 15, 16				Seat Suspension
		1	2, 6	L	51, 52, 54, 55, 56				Seat Suspension
		1	3, 7	L	02, 06				Seat Suspension
		1	3, 7	L	12, 15, 16				Seat Suspension
22		1							SPRING, (NOT SERVICED),
23		1							LEVER, (NOT SERVICED)
24		1							WHEEL, Hand, (NOT SERVICED)
25									SCREW, Seat
	05126139AA	6	2, 6	L	01, 02, 06				
		12	2, 6	L	11, 12, 14, 15, 16				
		12	2, 6	L	51, 52, 54, 55, 56				
		6	3, 7	L	02, 06				
		6	3, 7	L	12, 15, 16				

SPRINTER (VA)
 SERIES LINE BODY ENGINE TRANSMISSION
 L = LOWLINE 3 = HD DODGE 2WD 12 = Van 140" EX8 = Engine - 2.7L I5 DGJ = Transmission - 5-Spd Auto, MB
 8 = HD DODGE 4WD 51 = Wagon 118" Mercedes-Benz TD
 6 = Lt. Duty DODGE 4WD 52 = Wagon 140"
 2 = Med. Duty DODGE 2WD 14 = Van 118"
 7 = Med. Duty DODGE 4WD 15 = Van 140"
 4 = TRUCK 16 = Van 158"
 54 = Wagon 118"
 55 = Wagon 140"
 56 = Wagon 158"
 01 = Chassis Forward Control
 118"
 02 = Chassis Forward Control
 140"
 06 = Front Section 158"
 11 = Van 118"

AR = use ase required - = Non illustrated part

Front Seat - Attaching Parts
Figure IVA-525

ITEM	PART NUMBER	QTY	LINE	SERIES	BODY	ENGINE	TRANS	TRIM	DESCRIPTION
26									WASHER, Locking
	05125426AA	4	2, 6	L	01, 02, 06				
		4	2, 6	L	11, 12, 14, 15, 16				
		4	2, 6	L	51, 52, 54, 55, 56				
		4	3, 7	L	02, 06				
		4	3, 7	L	12, 15, 16				
27	05166120AA	1	2, 3, 6, 7	L					FRAME, Front Seat Cushion

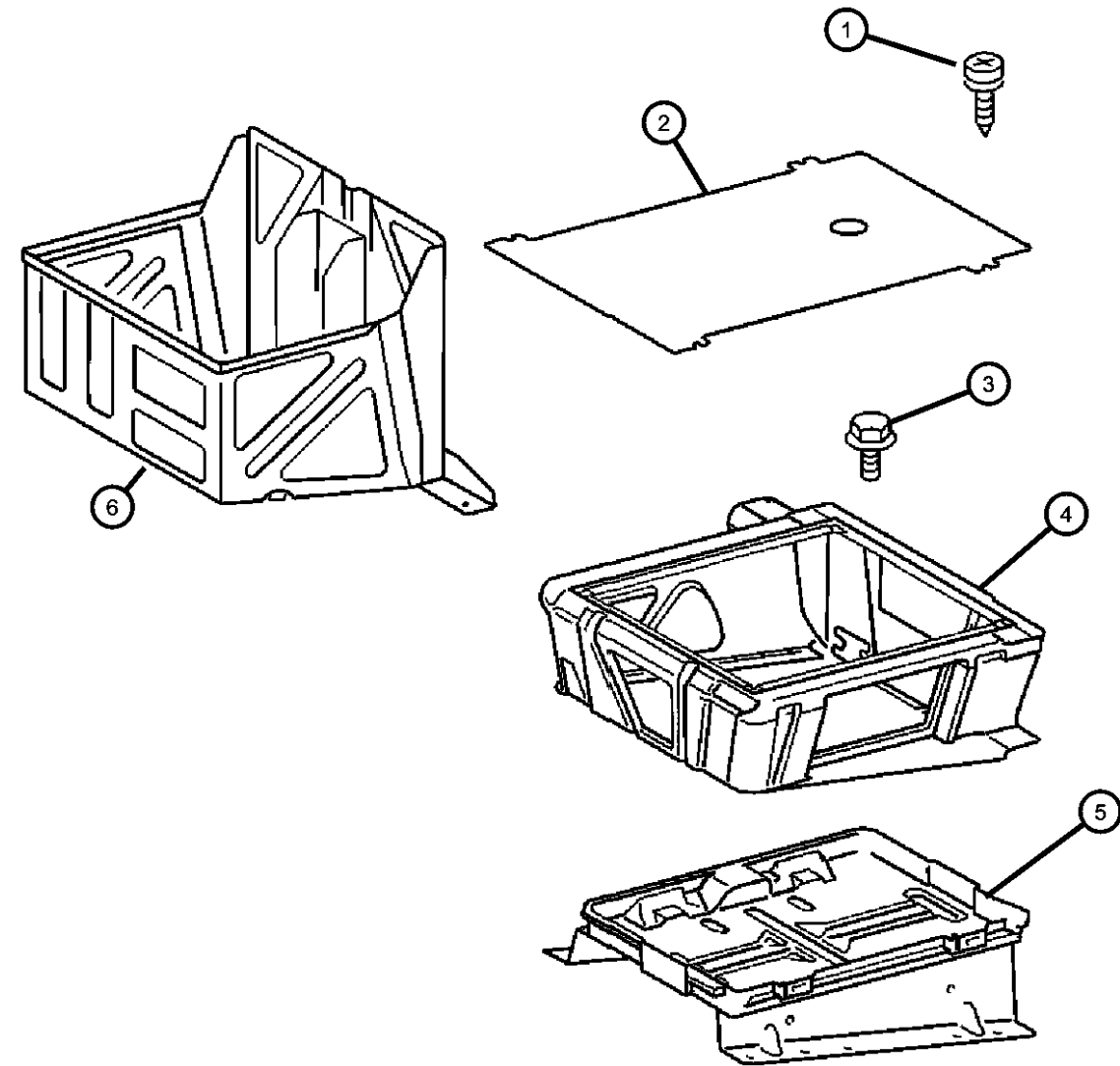


SPRINTER (VA)				
SERIES	LINE	BODY	ENGINE	TRANSMISSION
L = LOWLINE	3 = HD DODGE 2WD 8 = HD DODGE 4WD 6 = Lt. Duty DODGE 4WD 2 = Med. Duty DODGE 2WD 7 = Med. Duty DODGE 4WD 4 = TRUCK	12 = Van 140" 51 = Wagon 118" 52 = Wagon 140" 14 = Van 118" 15 = Van 140" 16 = Van 158" 54 = Wagon 118" 55 = Wagon 140" 56 = Wagon 158" 01 = Chassis Forward Control 118" 02 = Chassis Forward Control 140" 06 = Front Section 158" 11 = Van 118"	EX8 = Engine - 2.7L I5 Mercedes-Benz TD	DGJ = Transmission - 5-Spd Auto, MB

AR = use ase required - = Non illustrated part

Front Seat - Attaching Parts - Riser
Figure IVA-530

ITEM	PART NUMBER	QTY	LINE	SERIES	BODY	ENGINE	TRANS	TRIM	DESCRIPTION
------	-------------	-----	------	--------	------	--------	-------	------	-------------



1									SCREW, Tapping
	06104574AA	2	2, 6	L	01, 02, 06				
		2	2, 6	L	11, 12, 14, 15, 16				
		2	2, 6	L	51, 52, 54, 55, 56				
		2	3, 7	L	12, 15, 16				
2									COVER
	05104234AA	1	2, 6	L	01, 02, 06				Seat Box
		1	2, 6	L	11, 12, 14, 15, 16				Seat Box
		1	2, 6	L	51, 52, 54, 55, 56				Seat Box
		1	3, 7	L	02, 06				Seat Box
		1	3, 7	L	12, 15, 16				Seat Box
3									BOLT, Hex Head
	05126227AA	2	2, 6	L	01, 02, 06				
		2	2, 6	L	11, 12, 14, 15, 16				
		2	2, 6	L	51, 52, 54, 55, 56				
		2	3, 7	L	02, 06				
		2	3, 7	L	12, 15, 16				
4									RISER, Seat
	05122187AA	1	2, 6	L	11, 12, 14, 15, 16				
		1	2, 6	L	51, 52, 54, 55, 56				
		1	3, 7	L	12, 15, 16				Driver
	05122192AA	1	2, 6	L	11, 12, 14, 15, 16				Passenger
		1	2, 6	L	51, 52, 54, 55, 56				Passenger
		1	3, 7	L	12, 15, 16				Passenger

SPRINTER (VA)

SERIES

L = LOWLINE

LINE

3 = HD DODGE 2WD
 8 = HD DODGE 4WD
 6 = Lt. Duty DODGE 4WD
 2 = Med. Duty DODGE 2WD
 7 = Med. Duty DODGE 4WD
 4 = TRUCK

BODY

12 = Van 140"
 51 = Wagon 118"
 52 = Wagon 140"
 14 = Van 118"
 15 = Van 140"
 16 = Van 158"
 54 = Wagon 118"
 55 = Wagon 140"
 56 = Wagon 158"
 01 = Chassis Forward Control 118"
 02 = Chassis Forward Control 140"
 06 = Front Section 158"
 11 = Van 118"

ENGINE

EX8 = Engine - 2.7L I5
 Mercedes-Benz TD

TRANSMISSION

DGJ = Transmission - 5-Spd Auto, MB

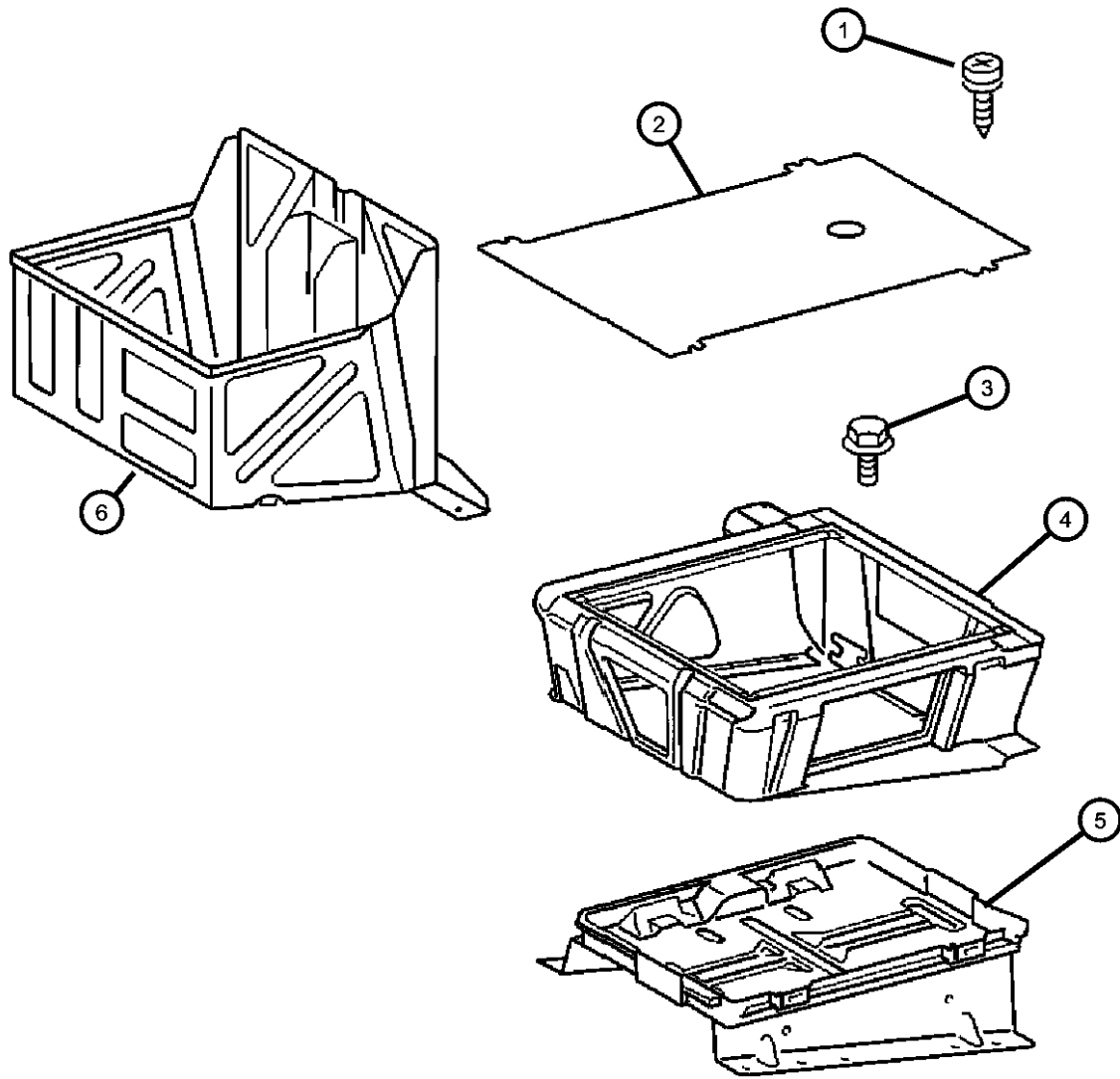
AR = use ase required - = Non illustrated part

2005 VA

Front Seat - Attaching Parts - Riser
Figure IVA-530

ITEM	PART NUMBER	QTY	LINE	SERIES	BODY	ENGINE	TRANS	TRIM	DESCRIPTION
------	-------------	-----	------	--------	------	--------	-------	------	-------------

5									TRAY, Battery
	05122170AA	1	2, 6	L	01, 02, 06				With Aux. Battery (2500GVW)
	0VU01205								Repair Battery Terminal End Top Post (Ten Per Box)
	0VU01207								Repair Battery Terminal End Side Post (Ten Per Box)
		1	2, 6	L	11, 12, 14, 15, 16				With Aux. Battery (2500GVW)
	0VU01205								Repair Battery Terminal End Top Post (Ten Per Box)
	0VU01207								Repair Battery Terminal End Side Post (Ten Per Box)
		1	2, 6	L	51, 52, 54, 55, 56				With Aux. Battery (2500GVW)
	0VU01205								Repair Battery Terminal End Top Post (Ten Per Box)
	0VU01207								Repair Battery Terminal End Side Post (Ten Per Box)
		1	3, 7	L	02, 06				With Aux. Battery (2500GVW)
	0VU01205								Repair Battery Terminal End Top Post (Ten Per Box)
	0VU01207								Repair Battery Terminal End Side Post (Ten Per Box)
		1	3, 7	L	12, 15, 16				With Aux. Battery (2500GVW)
	0VU01205								Repair Battery Terminal End Top Post (Ten Per Box)
	0VU01207								Repair Battery Terminal End Side Post (Ten Per Box)
6		1							BOX, Riser, (NOT SERVICED),

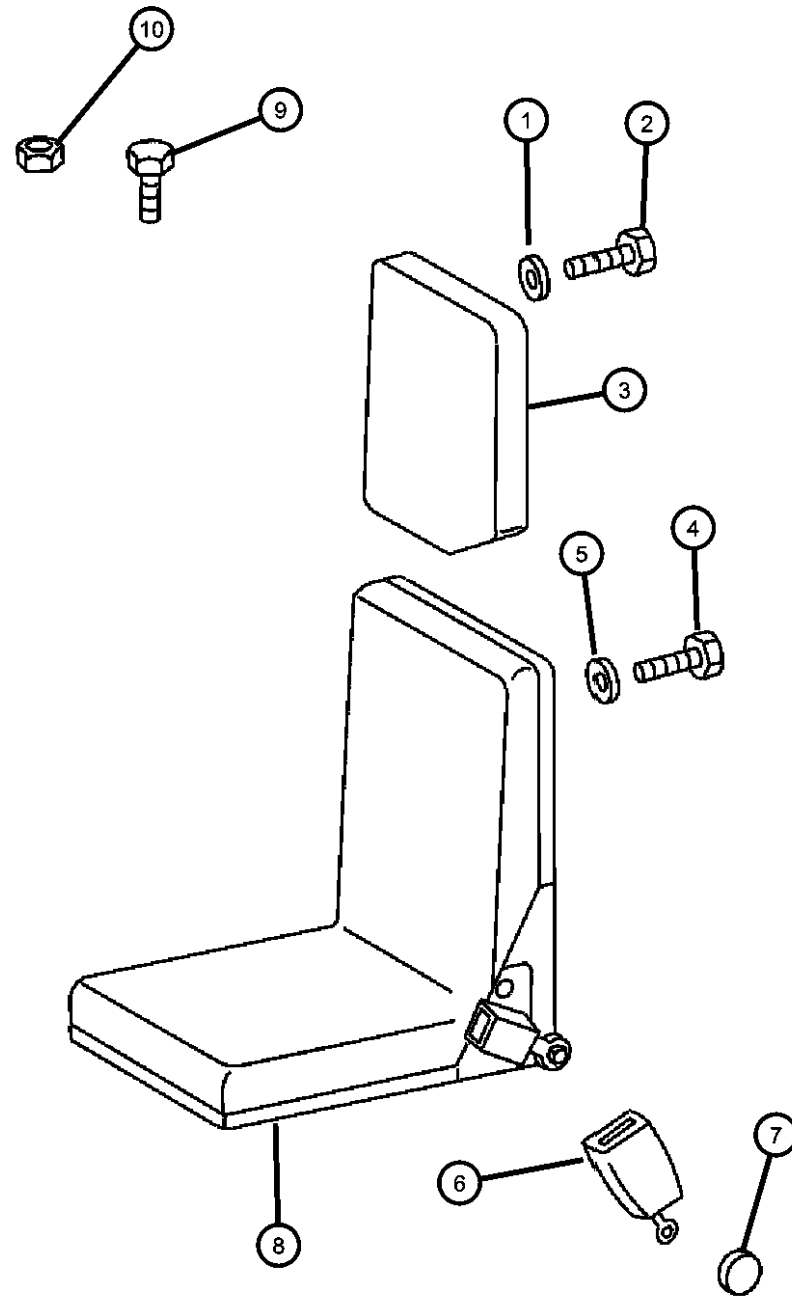


SPRINTER (VA)

SERIES	LINE	BODY	ENGINE	TRANSMISSION
L = LOWLINE	3 = HD DODGE 2WD 8 = HD DODGE 4WD 6 = Lt. Duty DODGE 4WD 2 = Med. Duty DODGE 2WD 7 = Med. Duty DODGE 4WD 4 = TRUCK	12 = Van 140" 51 = Wagon 118" 52 = Wagon 140" 14 = Van 118" 15 = Van 140" 16 = Van 158" 54 = Wagon 118" 55 = Wagon 140" 56 = Wagon 158" 01 = Chassis Forward Control 118" 02 = Chassis Forward Control 140" 06 = Front Section 158" 11 = Van 118"	EX8 = Engine - 2.7L I5 Mercedes-Benz TD	DGJ = Transmission - 5-Spd Auto, MB

AR = use ase required - = Non illustrated part

**Front Seat - Attaching Parts
Figure IVA-535**



ITEM	PART NUMBER	QTY	LINE	SERIES	BODY	ENGINE	TRANS	TRIM	DESCRIPTION
1	05098108AA	1	2, 6	L	01, 02, 06				WASHER, Flat
		1	2, 6	L	11, 12, 14, 15, 16				
		1	2, 6	L	51, 52, 54, 55, 56				
		1	3, 7	L	02, 06				
		1	3, 7	L	12, 15, 16				
2	06104025AA	4	2, 6	L	11, 12, 14, 15, 16				SCREW
		4	6, 2	L	51, 52, 54, 55, 56				
		4	3, 7	L	12, 15, 16				
3	05104535AA	1	3, 7	L	12, 15, 16				HEADREST, Front
4	06104049AA	6	2, 6	L	11, 12, 14, 15, 16				SCREW
		6	2, 6	L	51, 52, 54, 55, 56				
		2	3, 7	L	12, 15, 16				
5	05104641AA	2	2, 6	L	11, 12, 14, 15, 16				WASHER, Flat
		2	2, 6	L	51, 52, 54, 55, 56				
		2	3, 7	L	02, 06				
		4	3, 7	L	12, 15, 16				
6		4							SEAT BELT, See III 710 For Part Numbers, (NOT SERVICED)
7	05125999AA	1	3, 7	L	12, 15, 16				CAP, Screw Cover
		2	2, 6	L	01, 02, 06				

SPRINTER (VA)

SERIES

L = LOWLINE
 3 = HD DODGE 2WD
 8 = HD DODGE 4WD
 6 = Lt. Duty DODGE 4WD
 2 = Med. Duty DODGE 2WD
 7 = Med. Duty DODGE 4WD
 4 = TRUCK

LINE

BODY

12 = Van 140"
 51 = Wagon 118"
 52 = Wagon 140"
 14 = Van 118"
 15 = Van 140"
 16 = Van 158"
 54 = Wagon 118"
 55 = Wagon 140"
 56 = Wagon 158"
 01 = Chassis Forward Control 118"
 02 = Chassis Forward Control 140"
 06 = Front Section 158"
 11 = Van 118"

ENGINE

EX8 = Engine - 2.7L I5
 Mercedes-Benz TD

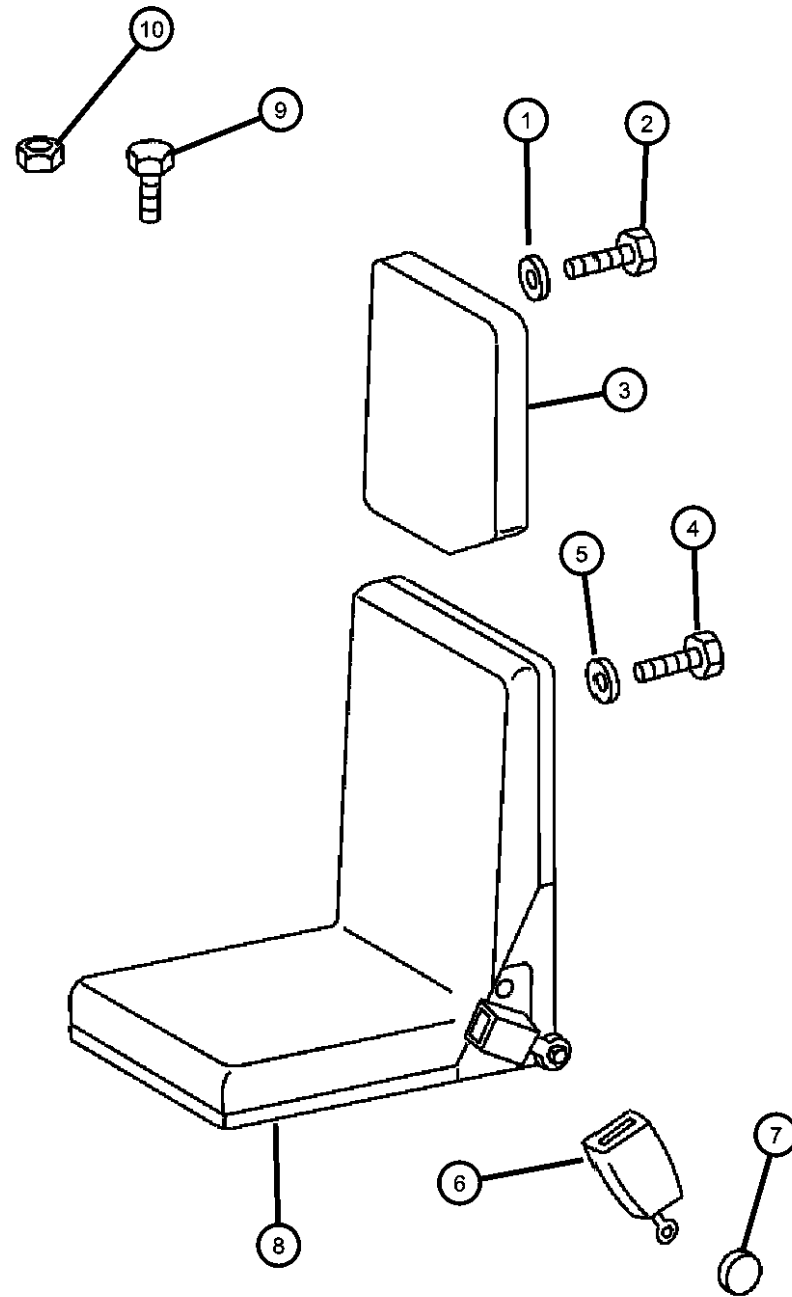
TRANSMISSION

DGJ = Transmission - 5-Spd Auto, MB

AR = use ase required - = Non illustrated part

2005 VA

Front Seat - Attaching Parts
Figure IVA-535



ITEM	PART NUMBER	QTY	LINE	SERIES	BODY	ENGINE	TRANS	TRIM	DESCRIPTION
		1	2, 6	L	11, 12, 14, 15, 16				
		1	2, 6	L	51, 52, 54, 55, 56				
8	05125327AA	1	2, 6	L	11, 12, 14, 15, 16				SEAT COMPLETE, Front
9	05103816AA	8	2, 6	L	51, 52, 54, 55, 56				BOLT, Hex Head
		7	2, 6	L	11, 12, 14, 15				
		9	2, 6	L	16				
		8	3, 7	L	12, 15				
		9	3, 7	L	16				
10	06104716AA	4	2, 6	L	01, 02, 06				NUT
		4	2, 6	L	11, 12, 14, 15, 16				
		4	2, 6	L	51, 52, 54, 55, 56				
		4	3, 7	L	12, 15, 16				

SPRINTER (VA)

SERIES

L = LOWLINE

LINE

3 = HD DODGE 2WD
8 = HD DODGE 4WD
6 = Lt. Duty DODGE 4WD
2 = Med. Duty DODGE 2WD
7 = Med. Duty DODGE 4WD
4 = TRUCK

BODY

12 = Van 140"
51 = Wagon 118"
52 = Wagon 140"
14 = Van 118"
15 = Van 140"
16 = Van 158"
54 = Wagon 118"
55 = Wagon 140"
56 = Wagon 158"
01 = Chassis Forward Control
118"
02 = Chassis Forward Control
140"
06 = Front Section 158"
11 = Van 118"

ENGINE

EX8 = Engine - 2.7L I5
Mercedes-Benz TD

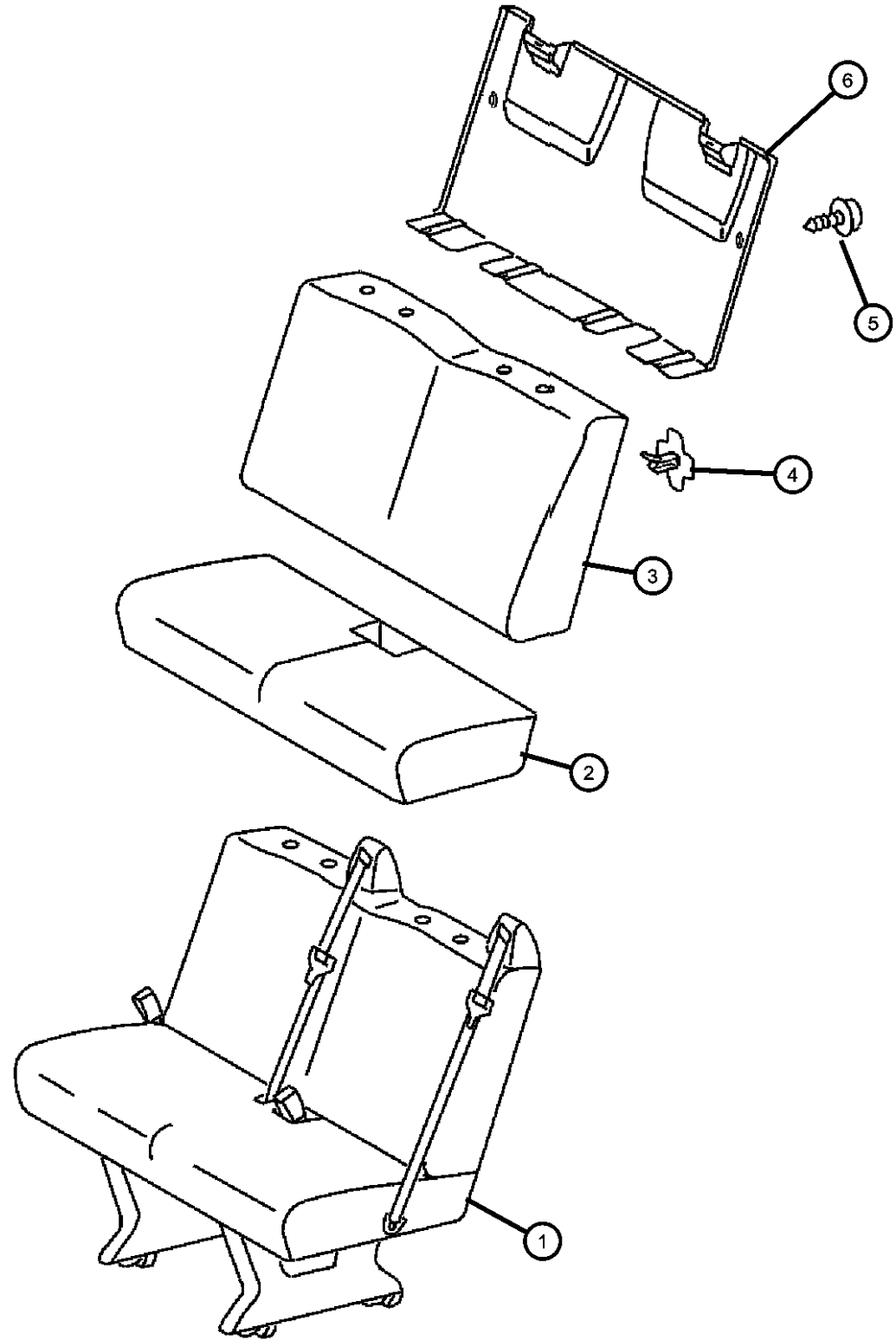
TRANSMISSION

DGJ = Transmission - 5-Spd Auto, MB

AR = use ase required - = Non illustrated part

2005 VA

Rear Seat - 2 Passenger
Figure IVA-610



ITEM	PART NUMBER	QTY	LINE	SERIES	BODY	ENGINE	TRANS	TRIM	DESCRIPTION	
1	05133134AA	1	2, 6	L	51, 52, 54, 55, 56				SEAT COMPLETE, Rear, Two Passenger Santos	
	05133138AA	1	2, 6	L	51, 52, 54, 55, 56					
2	05134610AA	1	2, 6	L	11, 12, 14, 15, 16				CUSHION, Rear Seat, Two Passenger	
		1	2, 6	L	51, 52, 54, 55, 56					
	05134085AA	1	2, 6	L	11, 12, 14, 15, 16					Santos
		1	2, 6	L	51, 52, 54, 55, 56					Santos
		1	3, 7	L	12, 15, 16					Santos
3	05134088AA	1	2, 6	L	11, 12, 14, 15, 16				SEAT BACK, Rear, 2 Passenger Santos	
		1	2, 6	L	51, 52, 54, 55, 56					
		1	3, 7	L	12, 15, 16					Santos
	05134611AA	1	2, 6	L	11, 12, 14, 15, 16					Santos
		1	2, 6	L	51, 52, 54, 55, 56					Santos
4	05103707AA	1	2, 6	L	11, 12, 14, 15, 16				BRACKET, Rear Seatback Left	
		1	2, 6	L	51, 52, 54, 55, 56					
	05103706AA	1	2, 6	L	11, 12, 14, 15, 16					Right
		1	2, 6	L	51, 52, 54, 55, 56					Right

SPRINTER (VA)

SERIES

L = LOWLINE

LINE

3 = HD DODGE 2WD
8 = HD DODGE 4WD
6 = Lt. Duty DODGE 4WD
2 = Med. Duty DODGE 2WD
7 = Med. Duty DODGE 4WD
4 = TRUCK

BODY

12 = Van 140"
51 = Wagon 118"
52 = Wagon 140"
14 = Van 118"
15 = Van 140"
16 = Van 158"
54 = Wagon 118"
55 = Wagon 140"
56 = Wagon 158"
01 = Chassis Forward Control 118"
02 = Chassis Forward Control 140"
06 = Front Section 158"
11 = Van 118"

ENGINE

EX8 = Engine - 2.7L I5
Mercedes-Benz TD

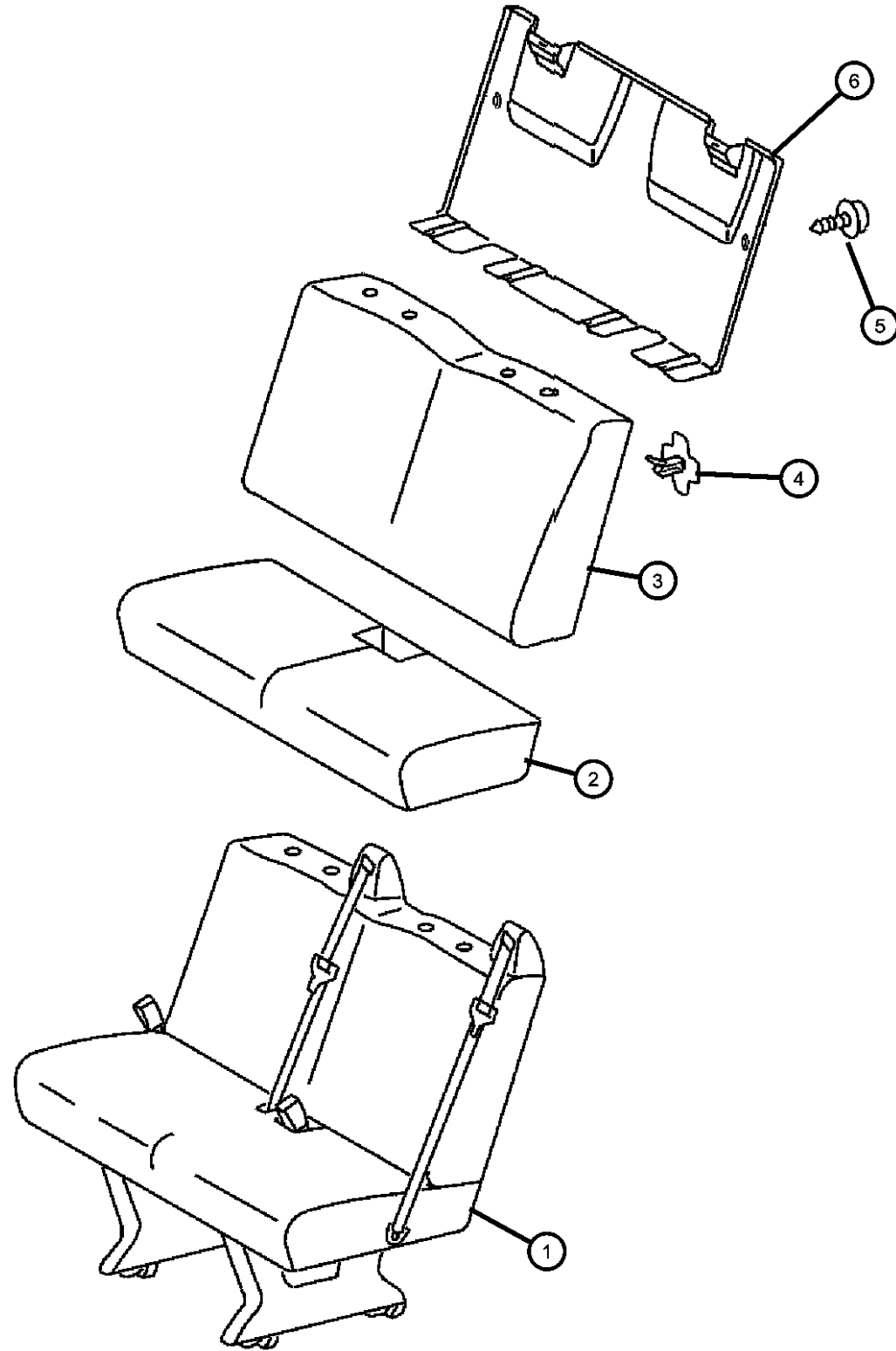
TRANSMISSION

DGJ = Transmission - 5-Spd Auto, MB

AR = use ase required - = Non illustrated part

2005 VA

Rear Seat - 2 Passenger
Figure IVA-610



ITEM	PART NUMBER	QTY	LINE	SERIES	BODY	ENGINE	TRANS	TRIM	DESCRIPTION
		1	3, 7	L	12, 15, 16				Right
		1	3, 7	L	12, 15, 16				Left
5	05134089AA	1	2, 6	L	11, 12, 14, 15, 16				PANEL, Rear Seat Back Two Passenger
		1	2, 6	L	51, 52, 54, 55, 56				Two Passenger
6	05133295AA	1	3, 7	L	12, 15, 16				Two Passenger
		2	2, 6	L	11, 12, 14, 15, 16				SCREW, Self-Tapping
		2	2, 6	L	51, 52, 54, 55, 56				
		2	3, 7	L	12, 15, 16				

SPRINTER (VA)

SERIES	LINE	BODY	ENGINE	TRANSMISSION
L = LOWLINE	3 = HD DODGE 2WD 8 = HD DODGE 4WD 6 = Lt. Duty DODGE 4WD 2 = Med. Duty DODGE 2WD 7 = Med. Duty DODGE 4WD 4 = TRUCK	12 = Van 140" 51 = Wagon 118" 52 = Wagon 140" 14 = Van 118" 15 = Van 140" 16 = Van 158" 54 = Wagon 118" 55 = Wagon 140" 56 = Wagon 158" 01 = Chassis Forward Control 118" 02 = Chassis Forward Control 140" 06 = Front Section 158" 11 = Van 118"	EX8 = Engine - 2.7L I5 Mercedes-Benz TD	DGJ = Transmission - 5-Spd Auto, MB

AR = use ase required - = Non illustrated part

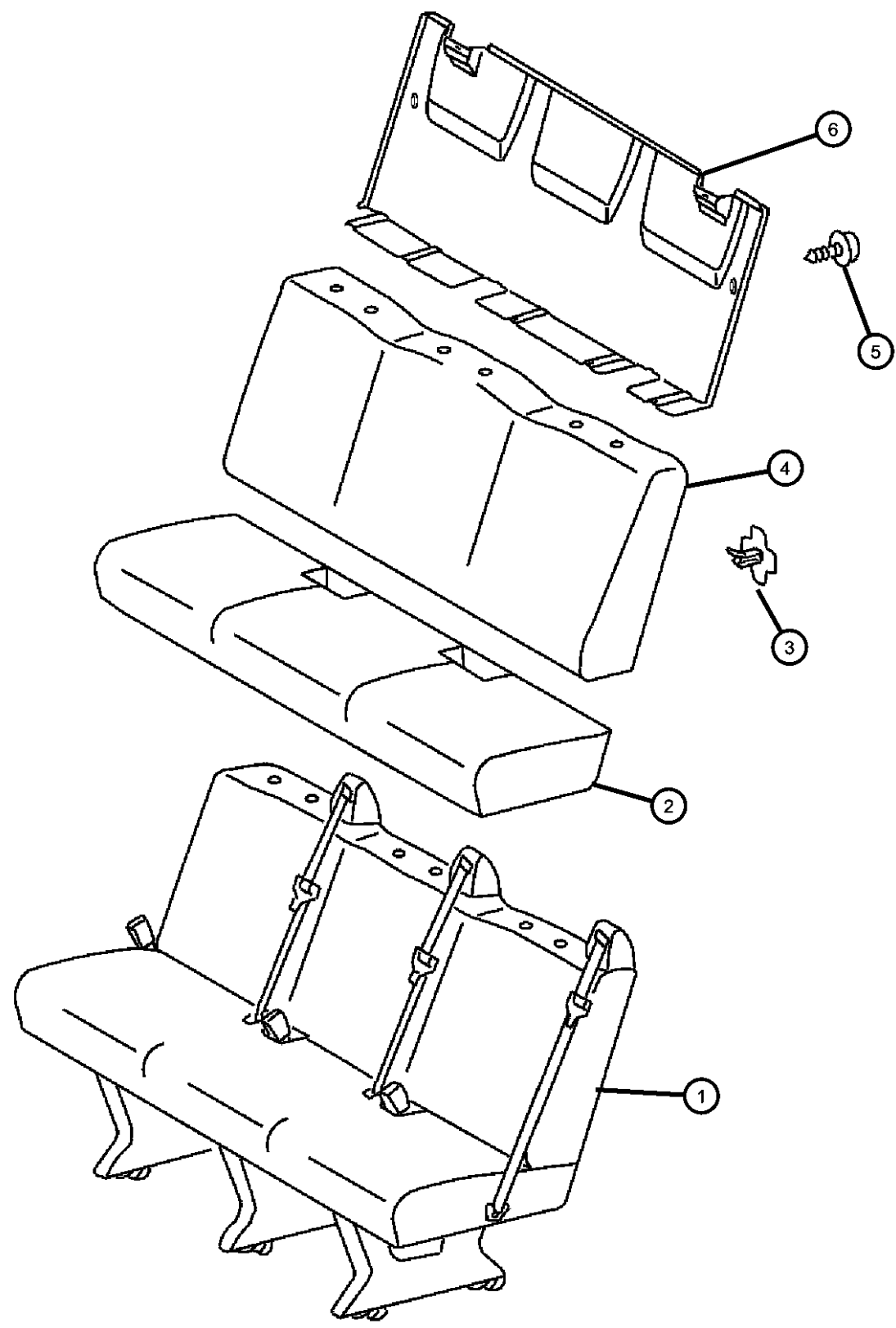
**Rear Seat - 3 Passenger
Figure IVA-615**

ITEM	PART NUMBER	QTY	LINE	SERIES	BODY	ENGINE	TRANS	TRIM	DESCRIPTION
1									SEAT COMPLETE, Rear, Three Passenger
	05133122AA	1	2, 6	L	11, 12, 14, 15, 16				First Rear Bench
	05133118AA	1	2, 6	L	11, 12, 14, 15, 16				Santos , First Rear Bench
		1	2, 6	L	51, 52, 54, 55, 56				Santos , First Rear Bench
		1	2, 6	L	51, 52, 54, 55, 56				First Rear Bench
	05133126AA	1	2, 6	L	51, 52, 54, 55, 56				Santos , Second Rear Bench
		1	2, 6	L	51, 52, 54, 55, 56				Santos , Third Rear bech
	05133130AA	1	2, 6	L	51, 52, 54, 55, 56				Second Rear Bench
		1	2, 6	L	51, 52, 54, 55, 56				Third Rear Bench
2									CUSHION, Rear Seat, Three Passenger
	05134103AA	1	2, 6	L	11, 12, 14, 15, 16				Santos , Second & Third Row Rear Bench
		1	2, 6	L	51, 52, 54, 55, 56				Santos , Second & Third Row Rear Bench
		1	3, 7	L	12, 15, 16				Santos , Second & Third Row Rear Bench
	05134612AA	1	2, 6	L	11, 12, 14, 15, 16				First Rear Bench
		1	2, 6	L	51, 52, 54, 55, 56				First Rear Bench
		1	3, 7	L	12, 15, 16				First Rear Bench
	05134614AA	1	2, 6	L	11, 12, 14, 15, 16				Second & Third Row Rear Bench
		1	2, 6	L	51, 52, 54, 55, 56				Second & Third Row Rear Bench
		1	3, 7	L	12, 15, 16				Second & Third Row Rear Bench
3									BRACKET, Rear Seatback
	05103706AA	1	2, 6	L	11, 12, 14, 15, 16				Right

SPRINTER (VA)

SERIES	LINE	BODY	ENGINE	TRANSMISSION
L = LOWLINE	3 = HD DODGE 2WD 8 = HD DODGE 4WD 6 = Lt. Duty DODGE 4WD 2 = Med. Duty DODGE 2WD 7 = Med. Duty DODGE 4WD 4 = TRUCK	12 = Van 140" 51 = Wagon 118" 52 = Wagon 140" 14 = Van 118" 15 = Van 140" 16 = Van 158" 54 = Wagon 118" 55 = Wagon 140" 56 = Wagon 158" 01 = Chassis Forward Control 118" 02 = Chassis Forward Control 140" 06 = Front Section 158" 11 = Van 118"	EX8 = Engine - 2.7L I5 Mercedes-Benz TD	DGJ = Transmission - 5-Spd Auto, MB

AR = use ase required - = Non illustrated part



Rear Seat - 3 Passenger
Figure IVA-615

ITEM	PART NUMBER	QTY	LINE	SERIES	BODY	ENGINE	TRANS	TRIM	DESCRIPTION
		1	2, 6	L	51, 52, 54, 55, 56				Right
		1	3, 7	L	12, 15, 16				Right
	05103707AA	1	2, 6	L	11, 12, 14, 15, 16				
		1	2, 6	L	51, 52, 54, 55, 56				Left
		1	3, 7	L	12, 15, 16				Left
4									SEAT BACK, Rear, 3 Passenger
	05134106AA	1	2, 6	L	11, 12, 14, 15, 16				Santos , Second & Third Row Rear Bench
		1	2, 6	L	51, 52, 54, 55, 56				Santos , Second & Third Row Rear Bench
	05134613AA	1	2, 6	L	11, 12, 14, 15, 16				First Rear Bench
		1	2, 6	L	51, 52, 54, 55, 56				First Rear Bench
	05134615AA	1	3, 7	L	12, 15, 16				First Rear Bench
		1	2, 6	L	11, 12, 14, 15, 16				Second & Third Row Rear Bench
		1	2, 6	L	51, 52, 54, 55, 56				Second & Third Row Rear Bench
		1	3, 7	L	12, 15, 16				Second & Third Row Rear Bench
		1	3, 7	L	12, 15, 16				Santos , Second & Third Row Rear Bench
5									SCREW, Self-Tapping
	05133295AA	2	2, 6	L	11, 12, 14, 15, 16				
		2	2, 6	L	51, 52, 54, 55, 56				
		2	3, 7	L	12, 15, 16				
6									PANEL, Seat Back, Two Passenger
	05134096AA	1	2, 6	L	51, 52, 54, 55, 56				

SPRINTER (VA)

SERIES

L = LOWLINE

LINE

3 = HD DODGE 2WD
8 = HD DODGE 4WD
6 = Lt. Duty DODGE 4WD
2 = Med. Duty DODGE 2WD
7 = Med. Duty DODGE 4WD
4 = TRUCK

BODY

12 = Van 140"
51 = Wagon 118"
52 = Wagon 140"
14 = Van 118"
15 = Van 140"
16 = Van 158"
54 = Wagon 118"
55 = Wagon 140"
56 = Wagon 158"
01 = Chassis Forward Control
118"
02 = Chassis Forward Control
140"
06 = Front Section 158"
11 = Van 118"

ENGINE

EX8 = Engine - 2.7L I5
Mercedes-Benz TD

TRANSMISSION

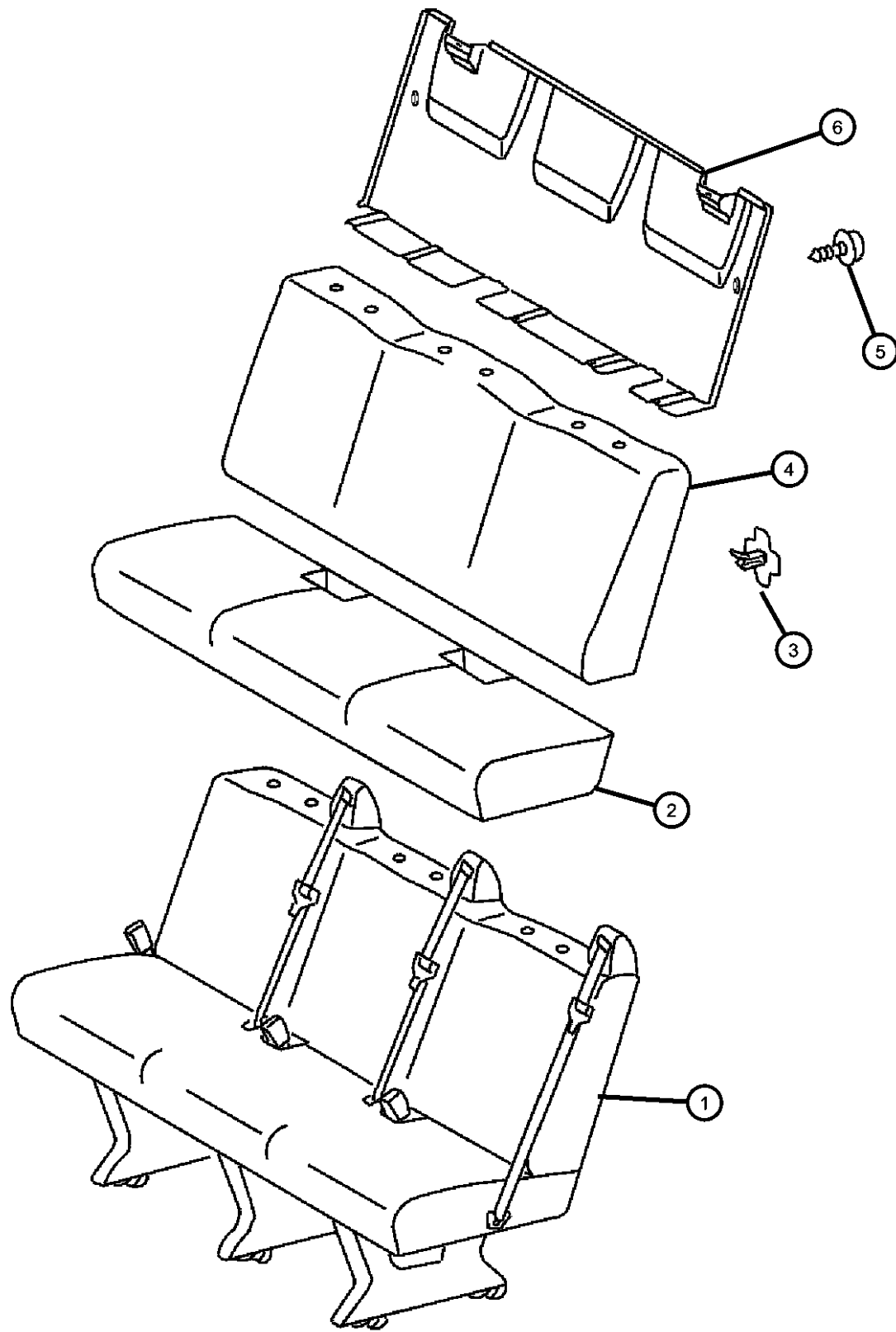
DGJ = Transmission - 5-Spd Auto, MB

AR = use ase required - = Non illustrated part

2005 VA

Rear Seat - 3 Passenger
Figure IVA-615

ITEM	PART NUMBER	QTY	LINE	SERIES	BODY	ENGINE	TRANS	TRIM	DESCRIPTION
------	-------------	-----	------	--------	------	--------	-------	------	-------------



1			3, 7	L	12, 15, 16				
1			2, 6	L	11, 12, 14, 15, 16				

SPRINTER (VA)

SERIES

L = LOWLINE

LINE

3 = HD DODGE 2WD
8 = HD DODGE 4WD
6 = Lt. Duty DODGE 4WD
2 = Med. Duty DODGE 2WD
7 = Med. Duty DODGE 4WD
4 = TRUCK

BODY

12 = Van 140"
51 = Wagon 118"
52 = Wagon 140"
14 = Van 118"
15 = Van 140"
16 = Van 158"
54 = Wagon 118"
55 = Wagon 140"
56 = Wagon 158"
01 = Chassis Forward Control 118"
02 = Chassis Forward Control 140"
06 = Front Section 158"
11 = Van 118"

ENGINE

EX8 = Engine - 2.7L I5
Mercedes-Benz TD

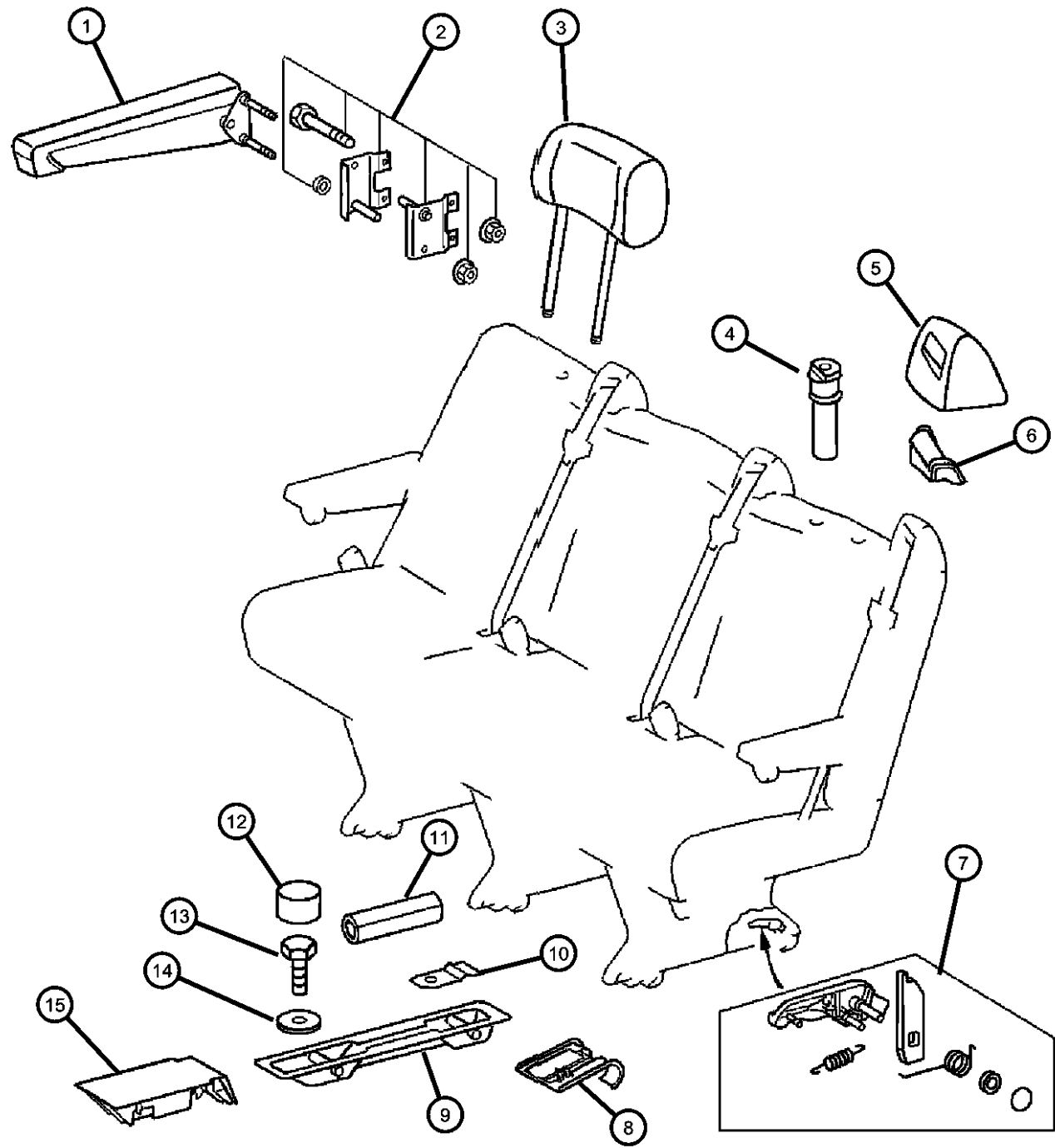
TRANSMISSION

DGJ = Transmission - 5-Spd Auto, MB

AR = use ase required - = Non illustrated part

2005 VA

**Attaching Parts - 3rd Passenger Seat
Figure IVA-620**

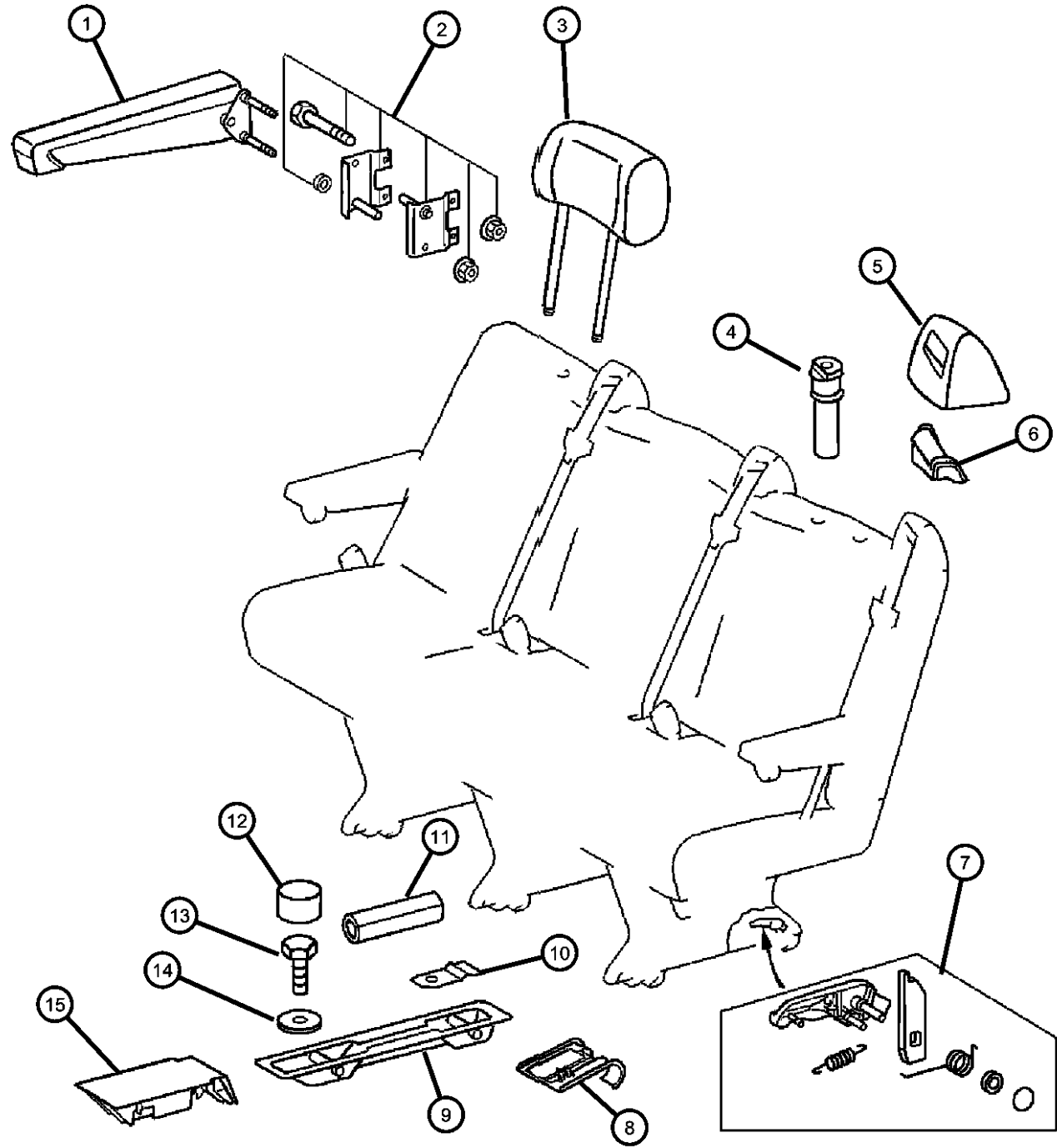


ITEM	PART NUMBER	QTY	LINE	SERIES	BODY	ENGINE	TRANS	TRIM	DESCRIPTION	
1	0ZN57CSSAA	1	2, 6	L	11, 12, 14, 15, 16			*B7	ARMREST, REAR SEAT Left	
		1	2, 6	L	51, 52, 54, 55, 56			*B7	Left	
	0ZN58CSSAA	1	3, 7	L	12, 15, 16			*B7	Left	
		1	2, 6	L	11, 12, 14, 15, 16			*B7	Right	
			1	2, 6	L	51, 52, 54, 55, 56			*B7	Right
			1	3, 7	L	12, 15, 16			*B7	Right
2	05134098AA	1	2, 6	L	11, 12, 14, 15, 16				BRACKET, Arm Rest	
		1	2, 6	L	51, 52, 54, 55, 56					
		1	3, 7	L	12, 15, 16					
3	05104534AA	3	2, 6	L	11, 12, 14, 15, 16				HEADREST Catano	
		3	3, 7	L	12, 15, 16				Catano	
	05125368AA	3	2, 6	L	11, 12, 14, 15, 16				Venice	
		3	3, 7	L	12, 15, 16				Venice	
	05125377AA	1	2, 6	L	51, 52, 54, 55, 56				Santos	
		1	3, 7	L	02, 06				Santos	
4	1AV08AA7AA	1	2, 6	L	11, 12, 14, 15, 16				Venice	
		1	3, 7	L	12, 15, 16				Santos	
		2	2, 6	L	51, 52, 54, 55, 56			*B7	SLEEVE, Headrest	
		2	2, 6	L	01, 02, 06			*B7		

SPRINTER (VA)
 SERIES LINE BODY ENGINE TRANSMISSION
 L = LOWLINE 3 = HD DODGE 2WD 12 = Van 140" EX8 = Engine - 2.7L I5 DGJ = Transmission - 5-Spd Auto, MB
 8 = HD DODGE 4WD 51 = Wagon 118" Mercedes-Benz TD
 6 = Lt. Duty DODGE 4WD 52 = Wagon 140"
 2 = Med. Duty DODGE 2WD 14 = Van 118"
 7 = Med. Duty DODGE 4WD 15 = Van 140"
 4 = TRUCK 16 = Van 158"
 54 = Wagon 118"
 55 = Wagon 140"
 56 = Wagon 158"
 01 = Chassis Forward Control
 118"
 02 = Chassis Forward Control
 140"
 06 = Front Section 158"
 11 = Van 118"

AR = use ase required - = Non illustrated part

Attaching Parts - 3rd Passenger Seat Figure IVA-620

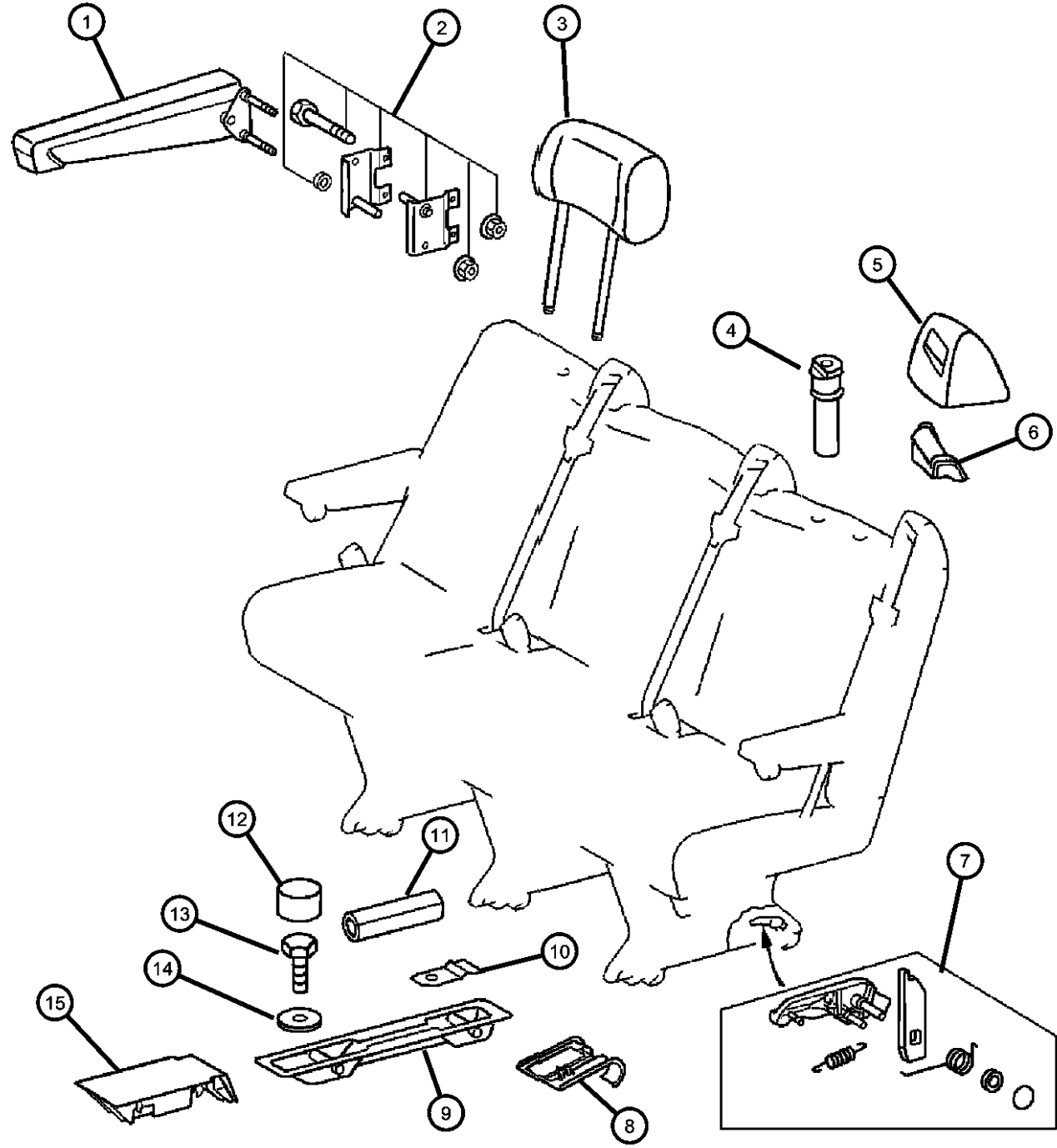


ITEM	PART NUMBER	QTY	LINE	SERIES	BODY	ENGINE	TRANS	TRIM	DESCRIPTION
5	05103708AA	2	2, 6	L	11, 12, 14, 15, 16			*B7	COVER, Seat Belt Opening
		2	3, 7	L	02, 06			*B7	
		2	3, 7	L	12, 15, 16			*B7	
6	05103709AA	1	2, 6	L	51, 52, 54, 55, 56				GUIDE, Seat Belt
		1	3, 7	L	12, 15, 16				
7	05103704AA	1	2, 6	L	51, 52, 54, 55, 56				LATCH, Seat
		1	3, 7	L	12, 15, 16				
8	05134099AA	2	2, 6	L	11, 12, 14, 15, 16				ESCUTCHEON, Seat Anchor
		2	2, 6	L	51, 52, 54, 55, 56				
		2	3, 7	L	12, 15, 16				
9	05104531AA	4	2, 6	L	11, 12, 14, 15, 16				ESCUTCHEON, Seat Anchor Second Rear Bench , 2 Passenger
		4	2, 6	L	51, 52, 54, 55, 56				
		4	3, 7	L	12, 15, 16				
		1	2, 6	L	11, 12, 14, 15, 16				Second Rear Bench , 2 Passenger
		1	2, 6	L	51, 52, 54, 55, 56				Second Rear Bench , 2 Passenger
		1	3, 7	L	12, 15, 16				Second Rear Bench , 2 Passenger

SPRINTER (VA)
 SERIES LINE BODY ENGINE TRANSMISSION
 L = LOWLINE 3 = HD DODGE 2WD 12 = Van 140" EX8 = Engine - 2.7L I5 DGJ = Transmission - 5-Spd Auto, MB
 8 = HD DODGE 4WD 51 = Wagon 118" Mercedes-Benz TD
 6 = Lt. Duty DODGE 4WD 52 = Wagon 140"
 2 = Med. Duty DODGE 2WD 14 = Van 118"
 7 = Med. Duty DODGE 4WD 15 = Van 140"
 4 = TRUCK 16 = Van 158"
 54 = Wagon 118"
 55 = Wagon 140"
 56 = Wagon 158"
 01 = Chassis Forward Control
 118"
 02 = Chassis Forward Control
 140"
 06 = Front Section 158"
 11 = Van 118"

AR = use ase required - = Non illustrated part

**Attaching Parts - 3rd Passenger Seat
Figure IVA-620**



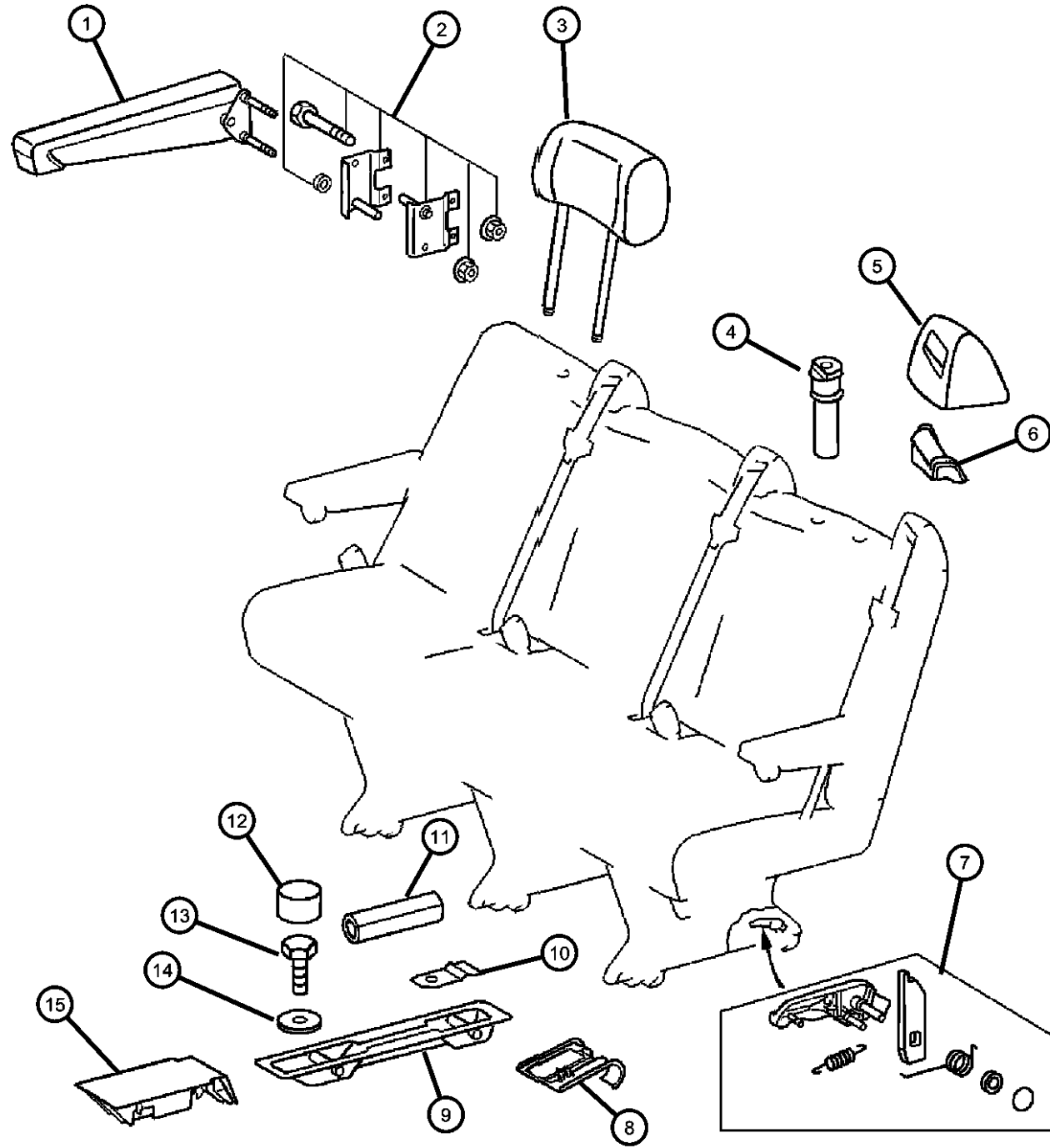
ITEM	PART NUMBER	QTY	LINE	SERIES	BODY	ENGINE	TRANS	TRIM	DESCRIPTION
	05104532AA	1	2, 6	L	11, 12, 14, 15, 16				First Rear Bench , 3 Passenger
		1	2, 6	L	51, 52, 54, 55, 56				First Rear Bench , 3 Passenger
		1	3, 7	L	12, 15, 16				First Rear Bench , 3 Passenger SPRING, Seat Latch Return
10	05134097AA	2	2, 6	L	11, 12, 14, 15, 16				
		2	2, 6	L	51, 52, 54, 55, 56				
		2	3, 7	L	12, 15, 16				
11	05104550AA	2	2, 6	L	11, 12, 14, 15, 16				PIN, Roll
		4	2, 6	L	51, 52, 54, 55, 56				
		4	3, 7	L	12, 15, 16				
12	05133484AA	6	2, 6	L	11, 12, 14, 15, 16				COVER, Seat Belt
		6	2, 6	L	51, 52, 54, 55, 56				
		6	3, 7	L	12, 15, 16				
13	06104216AA	4	2, 6	L	11, 12, 14, 15, 16				BOLT, Hex Head
		4	3, 7	L	02, 06				
		4	3, 7	L	12, 15, 16				
		4	2, 6	L	51, 52, 54, 55, 56				
14	05126189AA	4	2, 6	L	11, 12, 14, 15, 16				WASHER, Flat
		4	2, 6	L	51, 52, 54, 55, 56				

SPRINTER (VA)

SERIES	LINE	BODY	ENGINE	TRANSMISSION
L = LOWLINE	3 = HD DODGE 2WD 8 = HD DODGE 4WD 6 = Lt. Duty DODGE 4WD 2 = Med. Duty DODGE 2WD 7 = Med. Duty DODGE 4WD 4 = TRUCK	12 = Van 140" 51 = Wagon 118" 52 = Wagon 140" 14 = Van 118" 15 = Van 140" 16 = Van 158" 54 = Wagon 118" 55 = Wagon 140" 56 = Wagon 158" 01 = Chassis Forward Control 118" 02 = Chassis Forward Control 140" 06 = Front Section 158" 11 = Van 118"	EX8 = Engine - 2.7L I5 Mercedes-Benz TD	DGJ = Transmission - 5-Spd Auto, MB

AR = use ase required - = Non illustrated part

**Attaching Parts - 3rd Passenger Seat
Figure IVA-620**



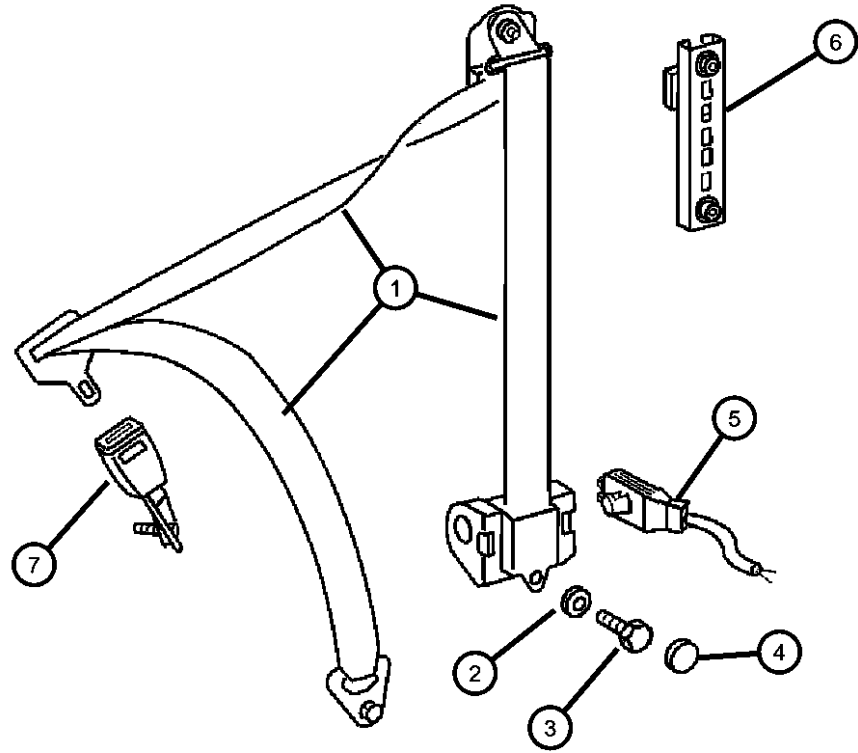
ITEM	PART NUMBER	QTY	LINE	SERIES	BODY	ENGINE	TRANS	TRIM	DESCRIPTION
15		4	3, 7	L	12, 15, 16				COVER, Seat Anchor
	05104533AA	1	2, 6	L	11, 12, 14, 15, 16				
		1	2, 6	L	51, 52, 54, 55, 56				HANDLE, Seat Adjuster
-16	05133285AA	1	3, 7	L	12, 15, 16				

SPRINTER (VA)

SERIES	LINE	BODY	ENGINE	TRANSMISSION
L = LOWLINE	3 = HD DODGE 2WD 8 = HD DODGE 4WD 6 = Lt. Duty DODGE 4WD 2 = Med. Duty DODGE 2WD 7 = Med. Duty DODGE 4WD 4 = TRUCK	12 = Van 140" 51 = Wagon 118" 52 = Wagon 140" 14 = Van 118" 15 = Van 140" 16 = Van 158" 54 = Wagon 118" 55 = Wagon 140" 56 = Wagon 158" 01 = Chassis Forward Control 118" 02 = Chassis Forward Control 140" 06 = Front Section 158" 11 = Van 118"	EX8 = Engine - 2.7L I5 Mercedes-Benz TD	DGJ = Transmission - 5-Spd Auto, MB

AR = use ase required - = Non illustrated part

Seat Belt - Front
Figure IVA-710



ITEM	PART NUMBER	QTY	LINE	SERIES	BODY	ENGINE	TRANS	TRIM	DESCRIPTION
1									SEAT BELT, Front Outer
	05103812AA	1	2, 6	L	01, 02, 06				Left
		1	2, 6	L	11, 12, 14, 15, 16				Left
		1	2, 6	L	51, 52, 54, 55, 56				Left
		1	3, 7	L	02, 06				Left
		1	3, 7	L	12, 15, 16				Left
	05103835AA	1	2, 6	L	01, 02, 06				Used without Jump Seat, Right
		1	2, 6	L	11, 12, 14, 15, 16				Used without Jump Seat, Right
		1	2, 6	L	51, 52, 54, 55, 56				Used without Jump Seat, Right
		1	3, 7	L	02, 06				Used without Jump Seat
	05103836AA	1	2, 6	L	11, 12, 14, 15, 16				Orange, Right & Left
		1	3, 7	L	12, 15, 16				Orange, Right & Left
	05125023AA	1	2, 6	L	11, 12, 14, 15, 16				Right
		1	3, 7	L	12, 15, 16				Used without Jump Seat
	05125026AA	1	2, 6	L	01, 02, 06				Used with Jump Seat, Right
		1	2, 6	L	11, 12, 14, 15, 16				Used with Jump Seat, Right
		1	2, 6	L	51, 52, 54, 55, 56				Used with Jump Seat, Right
		1	3, 7	L	02, 06				Used with Jump Seat, Right
		1	3, 7	L	12, 15, 16				Right
		1	3, 7	L	12, 15, 16				Used with Jump Seat, Right
2									WASHER, Seat Belt Attaching
	05125755AA	1	2, 6	L	01, 02, 06				
		1	2, 6	L	11, 12, 14, 15, 16				
		1	2, 6	L	51, 52, 54, 55, 56				

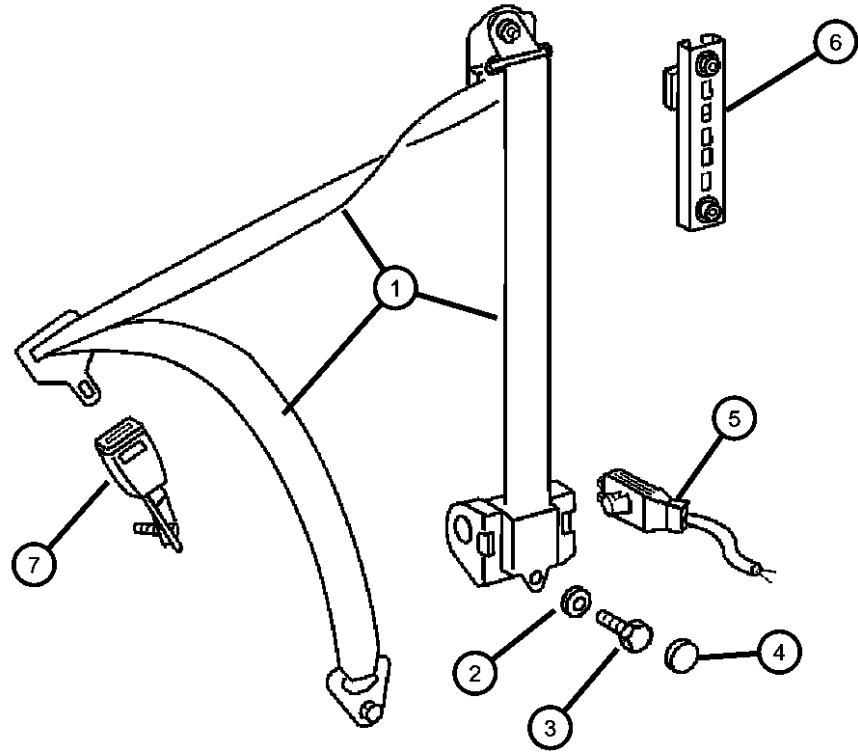
SPRINTER (VA)

SERIES	LINE	BODY	ENGINE	TRANSMISSION
L = LOWLINE	3 = HD DODGE 2WD 8 = HD DODGE 4WD 6 = Lt. Duty DODGE 4WD 2 = Med. Duty DODGE 2WD 7 = Med. Duty DODGE 4WD 4 = TRUCK	12 = Van 140" 51 = Wagon 118" 52 = Wagon 140" 14 = Van 118" 15 = Van 140" 16 = Van 158" 54 = Wagon 118" 55 = Wagon 140" 56 = Wagon 158" 01 = Chassis Forward Control 118" 02 = Chassis Forward Control 140" 06 = Front Section 158" 11 = Van 118"	EX8 = Engine - 2.7L I5 Mercedes-Benz TD	DGJ = Transmission - 5-Spd Auto, MB

AR = use ase required - = Non illustrated part

2005 VA

**Seat Belt - Front
Figure IVA-710**



ITEM	PART NUMBER	QTY	LINE	SERIES	BODY	ENGINE	TRANS	TRIM	DESCRIPTION
3	05125705AA	1	2, 6	L	01, 02, 06				BOLT, Seat Belt
		1	2, 6	L	11, 12, 14, 15, 16				
		1	2, 6	L	51, 52, 54, 55, 56				
4	05125999AA	1	2, 6	L	51, 52, 54, 55, 56				CAP, Screw Cover
		2	2, 6	L	01, 02, 06				
		1	2, 6	L	11, 12, 14, 15, 16				
		2	3, 7	L	02, 06				
		1	3, 7	L	12, 15, 16				
5	05133485AA	2	2, 6	L	11, 12, 14, 15, 16				HARNES, Wiring
		2	2, 6	L	51, 52, 54, 55, 56				
		2	3, 7	L	02, 06				
		2	3, 7	L	12, 15, 16				
		2	2, 6	L	01, 02, 06				
6	05104498AA	1	2, 6	L	01, 02, 06				ADJUSTER, Seat Belt Turning Loop
		1	2, 6	L	11, 12, 14, 15, 16				
		1	2, 6	L	51, 52, 54, 55, 56				
7	05103810AA	1	2, 6	L	01, 02, 06				SEAT BELT, Buckle Half Passenger Side
		1	2, 6	L	11, 12, 14, 15, 16				Passenger Side

SPRINTER (VA)

SERIES

L = LOWLINE

LINE

3 = HD DODGE 2WD
8 = HD DODGE 4WD
6 = Lt. Duty DODGE 4WD
2 = Med. Duty DODGE 2WD
7 = Med. Duty DODGE 4WD
4 = TRUCK

BODY

12 = Van 140"
51 = Wagon 118"
52 = Wagon 140"
14 = Van 118"
15 = Van 140"
16 = Van 158"
54 = Wagon 118"
55 = Wagon 140"
56 = Wagon 158"
01 = Chassis Forward Control
118"
02 = Chassis Forward Control
140"
06 = Front Section 158"
11 = Van 118"

ENGINE

EX8 = Engine - 2.7L I5
Mercedes-Benz TD

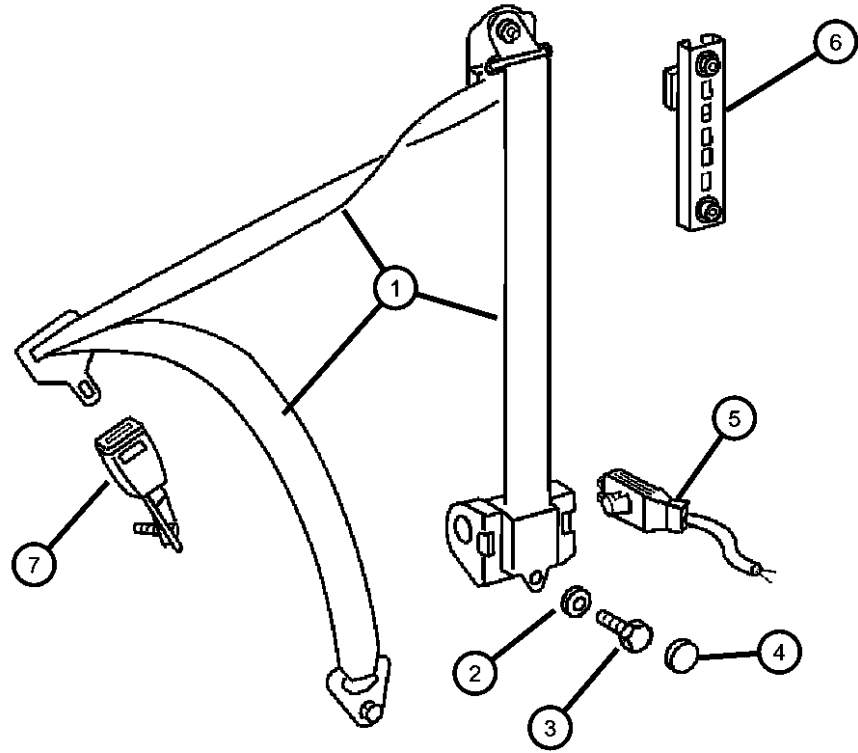
TRANSMISSION

DGJ = Transmission - 5-Spd Auto, MB

AR = use ase required - = Non illustrated part

2005 VA

Seat Belt - Front
Figure IVA-710



ITEM	PART NUMBER	QTY	LINE	SERIES	BODY	ENGINE	TRANS	TRIM	DESCRIPTION
		1	2, 6	L	51, 52, 54, 55, 56				Passenger Side
		1	3, 7	L	02, 06				Passenger Side
		1	3, 7	L	12, 15, 16				Passenger Side
	05103811AA	1	2, 6	L	11, 12, 14, 15, 16				Driver Side
		1	2, 6	L	51, 52, 54, 55, 56				Driver Side
		1	3, 7	L	12, 15, 16				Driver Side
	05124982AA	1	2, 6	L	11, 12, 14, 15, 16				With Luxury Bucket, Passenger Side
		1	2, 6	L	51, 52, 54, 55, 56				With Luxury Bucket, Passenger Side
		1	3, 7	L	12, 15, 16				With Luxury Bucket, Passenger Side
-8									SEAT BELT, Retractor
	05103834AA	2	2, 6	L	51, 52, 54, 55, 56				
	05125014AA	2	2, 6	L	11, 12, 14, 15, 16				

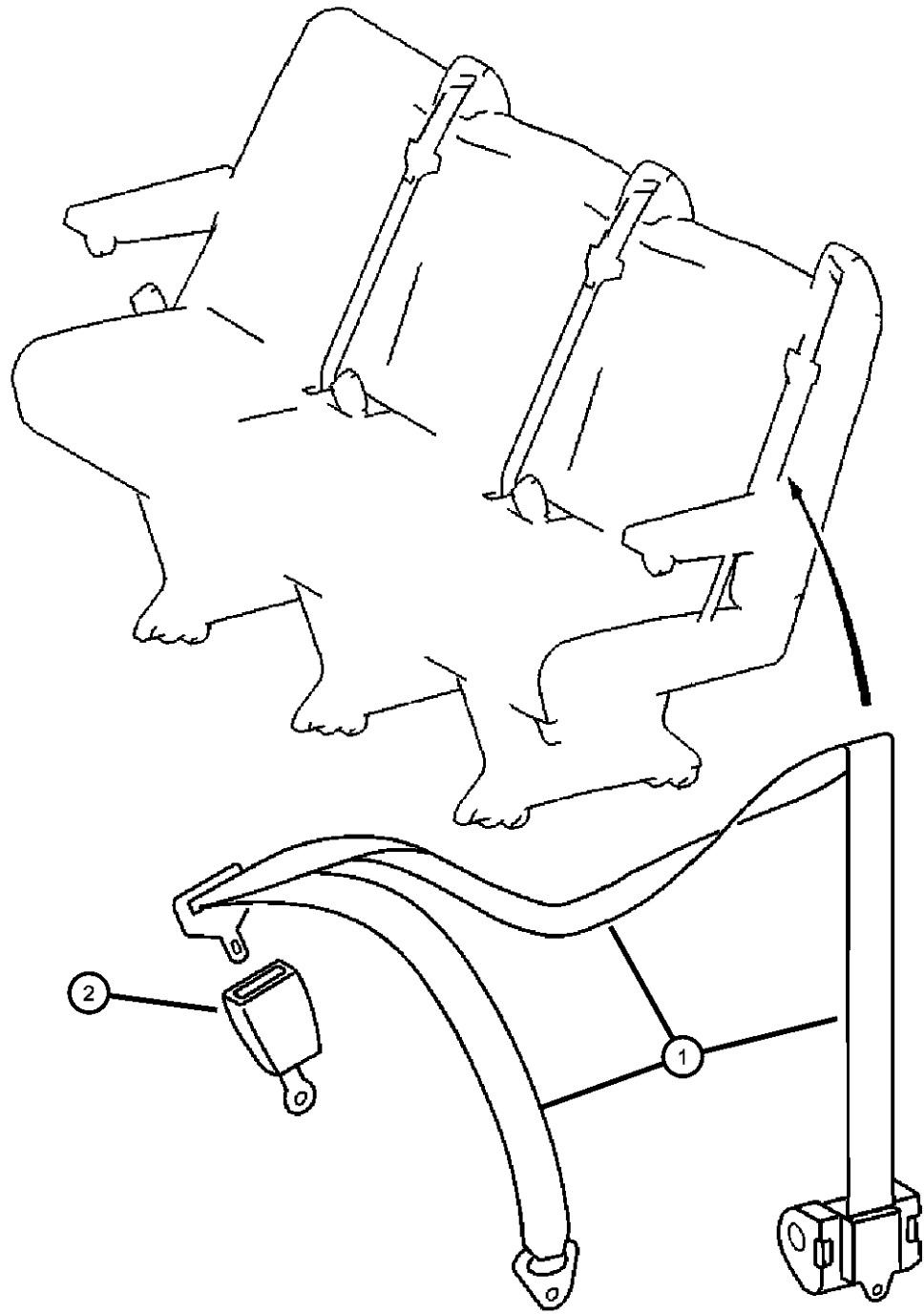
SPRINTER (VA)

SERIES	LINE	BODY	ENGINE	TRANSMISSION
L = LOWLINE	3 = HD DODGE 2WD 8 = HD DODGE 4WD 6 = Lt. Duty DODGE 4WD 2 = Med. Duty DODGE 2WD 7 = Med. Duty DODGE 4WD 4 = TRUCK	12 = Van 140" 51 = Wagon 118" 52 = Wagon 140" 14 = Van 118" 15 = Van 140" 16 = Van 158" 54 = Wagon 118" 55 = Wagon 140" 56 = Wagon 158"	EX8 = Engine - 2.7L I5 Mercedes-Benz TD	DGJ = Transmission - 5-Spd Auto, MB
		01 = Chassis Forward Control 118"		
		02 = Chassis Forward Control 140"		
		06 = Front Section 158"		
		11 = Van 118"		

AR = use ase required - = Non illustrated part

**Seat Belt - Second Row
Figure IVA-720**

ITEM	PART NUMBER	QTY	LINE	SERIES	BODY	ENGINE	TRANS	TRIM	DESCRIPTION
------	-------------	-----	------	--------	------	--------	-------	------	-------------



1									SEAT BELT, Retractor
	05103834AA	3	2, 6	L	51, 52, 54, 55, 56				
	05125014AA	2	2, 6	L	11, 12, 14, 15, 16				
		2	3, 7	L	12, 15, 16				
2									SEAT BELT, Buckle Half
	05104502AA	2	2, 6	L	11, 12, 14, 15, 16				
		2	2, 6	L	51, 52, 54, 55, 56				
		2	3, 7	L	12, 15, 16				

SPRINTER (VA)

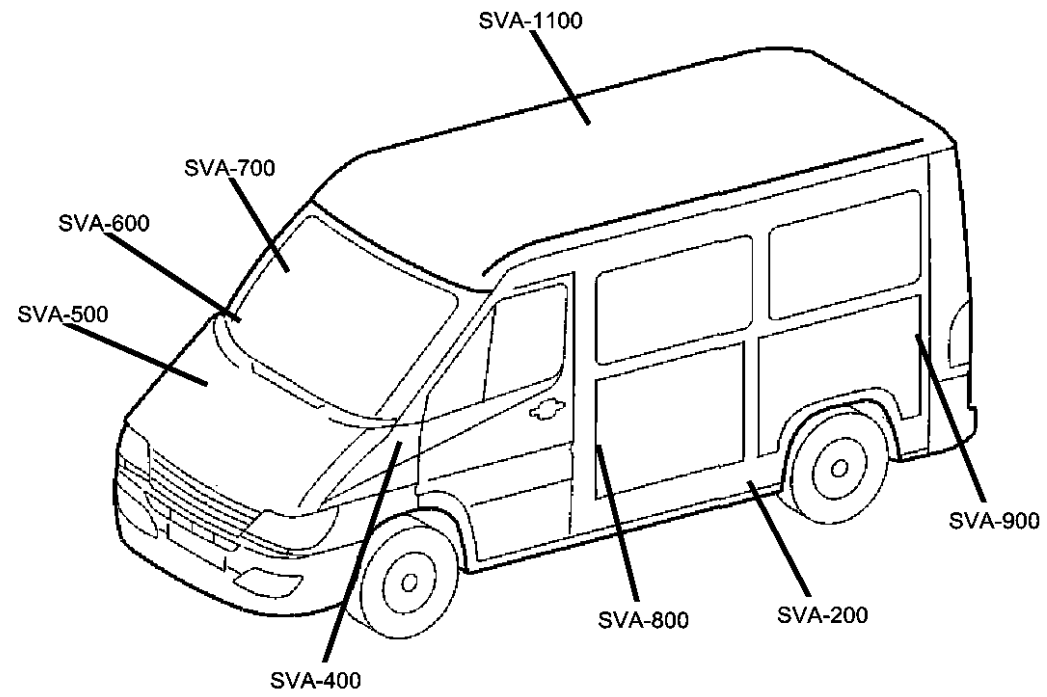
SERIES	LINE	BODY	ENGINE	TRANSMISSION
L = LOWLINE	3 = HD DODGE 2WD	12 = Van 140"	EX8 = Engine - 2.7L I5	DGJ = Transmission - 5-Spd Auto, MB
	8 = HD DODGE 4WD	51 = Wagon 118"	Mercedes-Benz TD	
	6 = Lt. Duty DODGE 4WD	52 = Wagon 140"		
	2 = Med. Duty DODGE 2WD	14 = Van 118"		
	7 = Med. Duty DODGE 4WD	15 = Van 140"		
	4 = TRUCK	16 = Van 158"		
		54 = Wagon 118"		
		55 = Wagon 140"		
		56 = Wagon 158"		
		01 = Chassis Forward Control		
		118"		
		02 = Chassis Forward Control		
		140"		
		06 = Front Section 158"		
		11 = Van 118"		

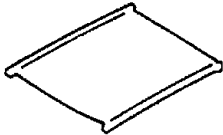

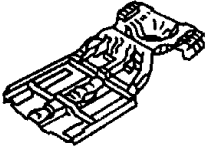

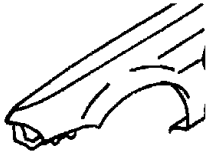
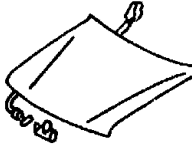
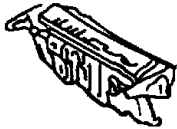

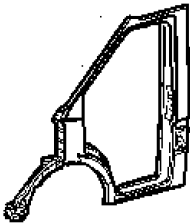
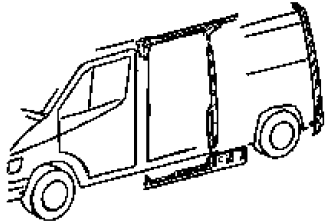
AR = use ase required - = Non illustrated part

2005 VA

Group - SVA

Body Sheet Metal Except Doors

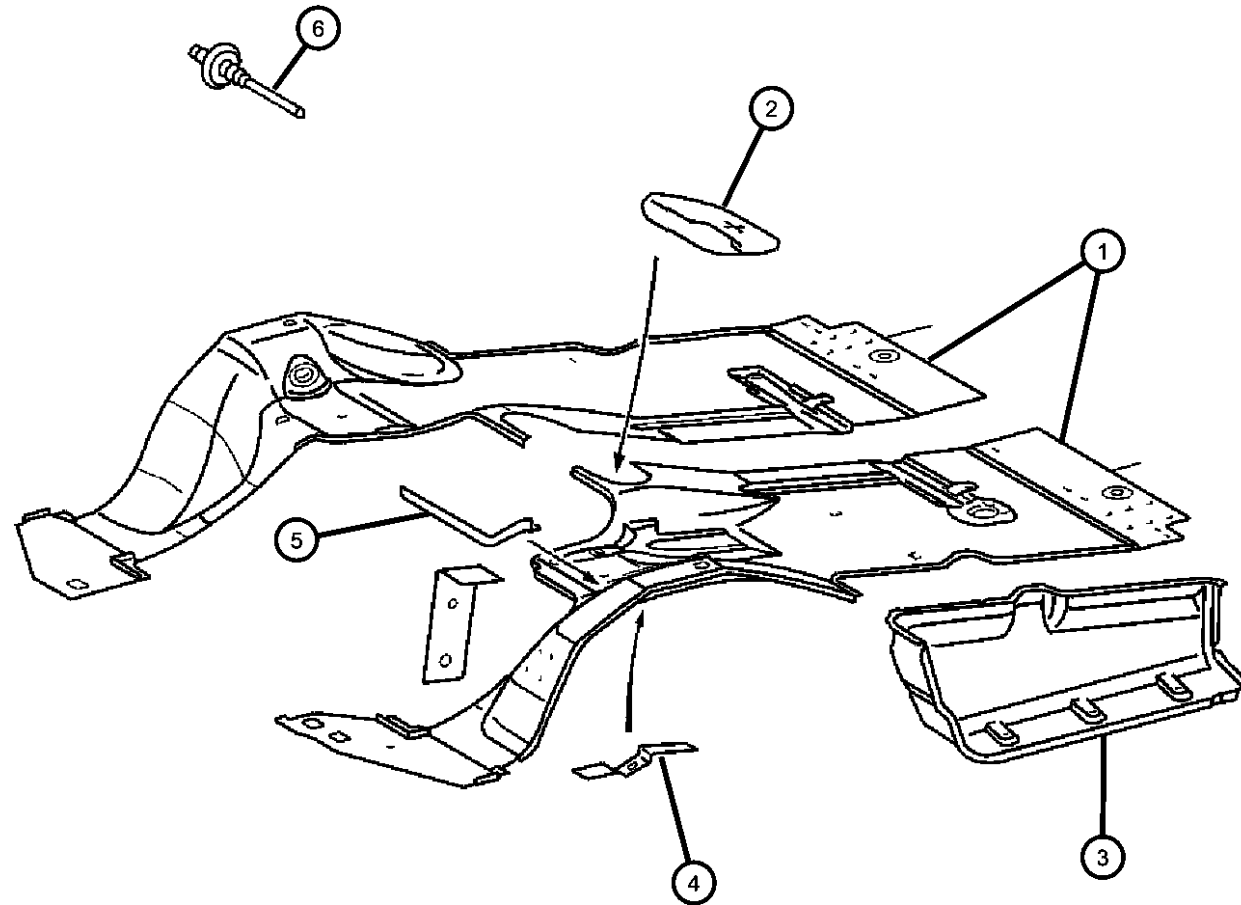


<p>SVA-1100 Roof Panels</p> 	<p>SVA-1200 Sunroof</p> 	<p>SVA-200 Floor Pans</p> 	<p>SVA-300 Plugs</p> 
<p>SVA-400 Front Fenders</p> 	<p>SVA-500 Hood and Hood Release</p> 	<p>SVA-600 Cowl and Dash Panel</p> 	<p>SVA-700 Glass and Rear View Mirror</p> 
<p>SVA-800 Aperture Panel</p> 	<p>SVA-900 Quarter Panel and Pillars</p> 		

Group - SVA Body Sheet Metal Except Doors

Illustration Title	Group-Fig. No.
Floor Pans	
Front Floor Pan.....	Fig. SVA - 210
Rear Floor Pan.....	Fig. SVA - 220
Plugs	
Plugs.....	Fig. SVA - 310
Front Fenders	
Front Fender.....	Fig. SVA - 410
Fender Splash Guards.....	Fig. SVA - 420
Hood and Hood Release	
Hood and Hood Release.....	Fig. SVA - 510
Cowl and Dash Panel	
Cowl and Dash.....	Fig. SVA - 610
Inner Paneling in Cab, Cowl.....	Fig. SVA - 620
Glass and Rear View Mirror	
Windshield, Backlite and Rear View Mirror.....	Fig. SVA - 710
Front Right Side Sliding Glass.....	Fig. SVA - 720
Side Glass, Fixed.....	Fig. SVA - 730
Aperture Panel	
Front Aperture, Inner, Left.....	Fig. SVA - 810
Front Aperture, Outer, Left.....	Fig. SVA - 820
Front Aperture, Inner, Right.....	Fig. SVA - 830
Front Aperture, Outer, Right.....	Fig. SVA - 840
Quarter Panel and Pillars	
Right Side Cargo Door Pillars & Wheelhouse.....	Fig. SVA - 910
Right Side Panels, Cargo.....	Fig. SVA - 920
Right Side Panels, Interior.....	Fig. SVA - 930
Left Side Cargo Door Pillars & Wheelhouse.....	Fig. SVA - 940
Left Side Panels, Cargo.....	Fig. SVA - 950
Left Side Panels, Exterior.....	Fig. SVA - 960
Rear Splash Shield.....	Fig. SVA - 970
Rear Step Panel.....	Fig. SVA - 980
Partition Wall & Load Protection Grill.....	Fig. SVA - 990
Roof Panels	
Low Roof Panel.....	Fig. SVA - 1110
High Roof Panel.....	Fig. SVA - 1120
Sunroof	
Manual Sunroof.....	Fig. SVA - 1210
Fixed Sunroof.....	Fig. SVA - 1220

Front Floor Pan
Figure SVA-210



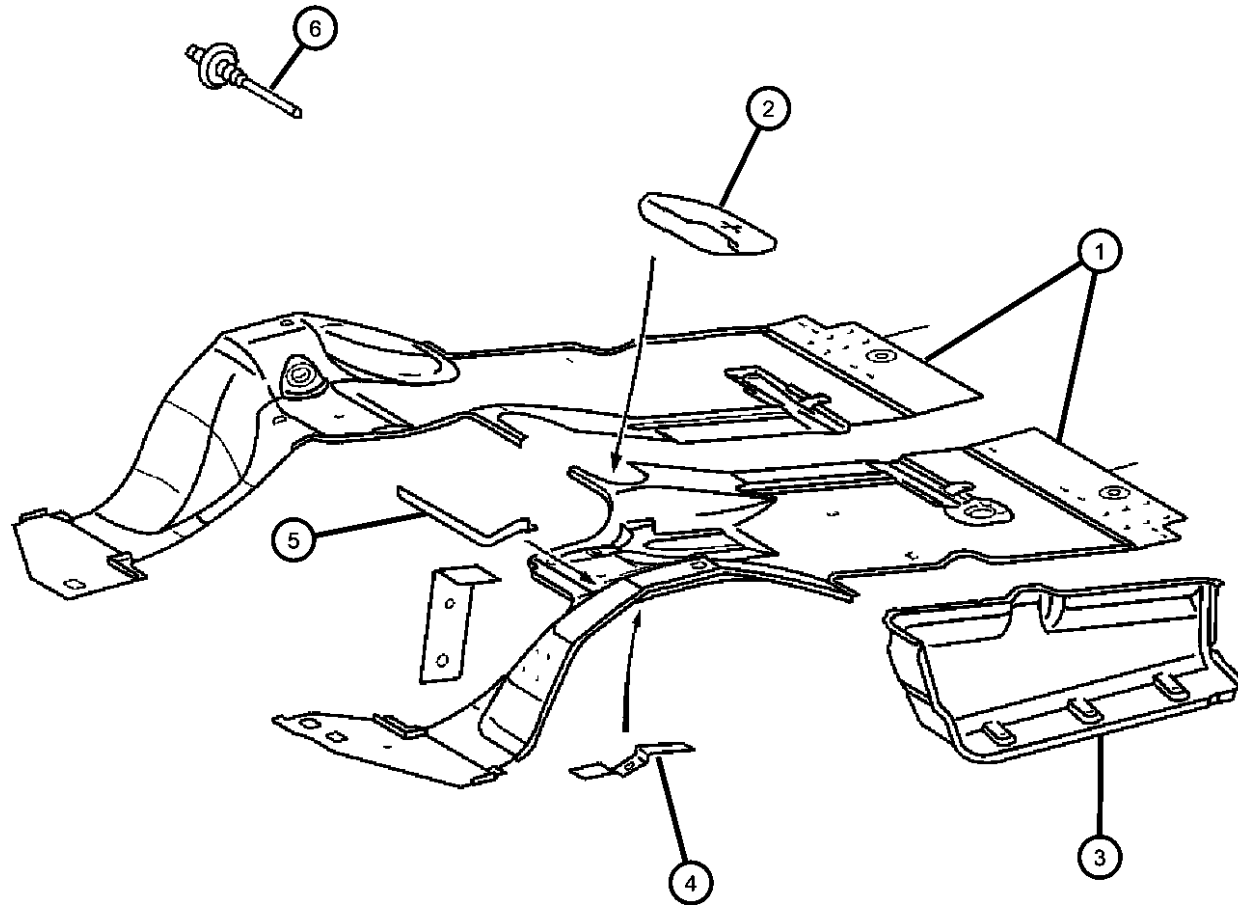
ITEM	PART NUMBER	QTY	LINE	SERIES	BODY	ENGINE	TRANS	TRIM	DESCRIPTION
1									PAD, Floor Pan
	05121511AA	1	2, 6		01, 02, 06				
		1	2, 6		11, 12, 14, 15, 16				
		1	2, 6		51, 52, 54, 55, 56				
		1	3, 7		02, 06				
		1	3, 7		12, 15, 16				
2									ESCUTCHEON, Floor
	05121510AA	1	2, 6		01, 02, 06				
		1	2, 6		11, 12, 14, 15, 16				
		1	2, 6		51, 52, 54, 55, 56				
		1	3, 7		02, 06				
		1	3, 7		12, 15, 16				
3									STEP PAD, Side Step
	05104161AA	1	2, 6		01, 02, 06				Left
		1	2, 6		11, 12, 14, 15, 16				Left
		1	2, 6		51, 52, 54, 55, 56				Left
		1	3, 7		02, 06				Left
		1	3, 7		12, 15, 16				Left
	05121571AA	1	2, 6		01, 02, 06				Right
		1	2, 6		11, 12, 14, 15, 16				Right
		1	2, 6		51, 52, 54, 55, 56				Right
		1	3, 7		02, 06				Right
		1	3, 7		12, 15, 16				Right
4									BRACKET, Floor Pan, Brake Cable
	05119269AA	1	2, 6		01, 02, 06				

SPRINTER (VA)

SERIES	LINE	BODY	ENGINE	TRANSMISSION
L = LOWLINE	3 = HD DODGE 2WD	12 = Van 140"	EX8 = Engine - 2.7L I5	DGJ = Transmission - 5-Spd Auto, MB
	8 = HD DODGE 4WD	51 = Wagon 118"	Mercedes-Benz TD	
	6 = Lt. Duty DODGE 4WD	52 = Wagon 140"		
	2 = Med. Duty DODGE 2WD	14 = Van 118"		
	7 = Med. Duty DODGE 4WD	15 = Van 140"		
	4 = TRUCK	16 = Van 158"		
		54 = Wagon 118"		
		55 = Wagon 140"		
		56 = Wagon 158"		
		01 = Chassis Forward Control 118"		
		02 = Chassis Forward Control 140"		
		06 = Front Section 158"		
		11 = Van 118"		

AR = use ase required - = Non illustrated part

Front Floor Pan
Figure SVA-210



ITEM	PART NUMBER	QTY	LINE	SERIES	BODY	ENGINE	TRANS	TRIM	DESCRIPTION
		1	2, 6		11, 12, 14, 15, 16				
		1	2, 6		51, 52, 54, 55, 56				
		1	3, 7		02, 06				
		1	3, 7		12, 15, 16				
5									PAD, Floor Pan
	05121494AA	1	2, 6		01, 02, 06				Left
		1	2, 6		11, 12, 14, 15, 16				Left
		1	2, 6		51, 52, 54, 55, 56				Left
		1	3, 7		02, 06				Left
	05121495AA	1	3, 7		12, 15, 16				Left
		1	2, 6		01, 02, 06				Right
		1	2, 6		11, 12, 14, 15, 16				Right
		1	2, 6		51, 52, 54, 55, 56				Right
		1	3, 7		02, 06				Right
		1	3, 7		12, 15, 16				Right
6									RIVET
	05133847AA	99	2, 6		01, 02, 06				
		99	2, 6		11, 12, 14, 15, 16				
		99	2, 6		51, 52, 54, 55, 56				
		99	3, 7		02, 06				
		99	3, 7		12, 15, 16				

SPRINTER (VA)

SERIES	LINE	BODY	ENGINE	TRANSMISSION
L = LOWLINE	3 = HD DODGE 2WD 8 = HD DODGE 4WD 6 = Lt. Duty DODGE 4WD 2 = Med. Duty DODGE 2WD 7 = Med. Duty DODGE 4WD 4 = TRUCK	12 = Van 140" 51 = Wagon 118" 52 = Wagon 140" 14 = Van 118" 15 = Van 140" 16 = Van 158" 54 = Wagon 118" 55 = Wagon 140" 56 = Wagon 158" 01 = Chassis Forward Control 118" 02 = Chassis Forward Control 140" 06 = Front Section 158" 11 = Van 118"	EX8 = Engine - 2.7L I5 Mercedes-Benz TD	DGJ = Transmission - 5-Spd Auto, MB

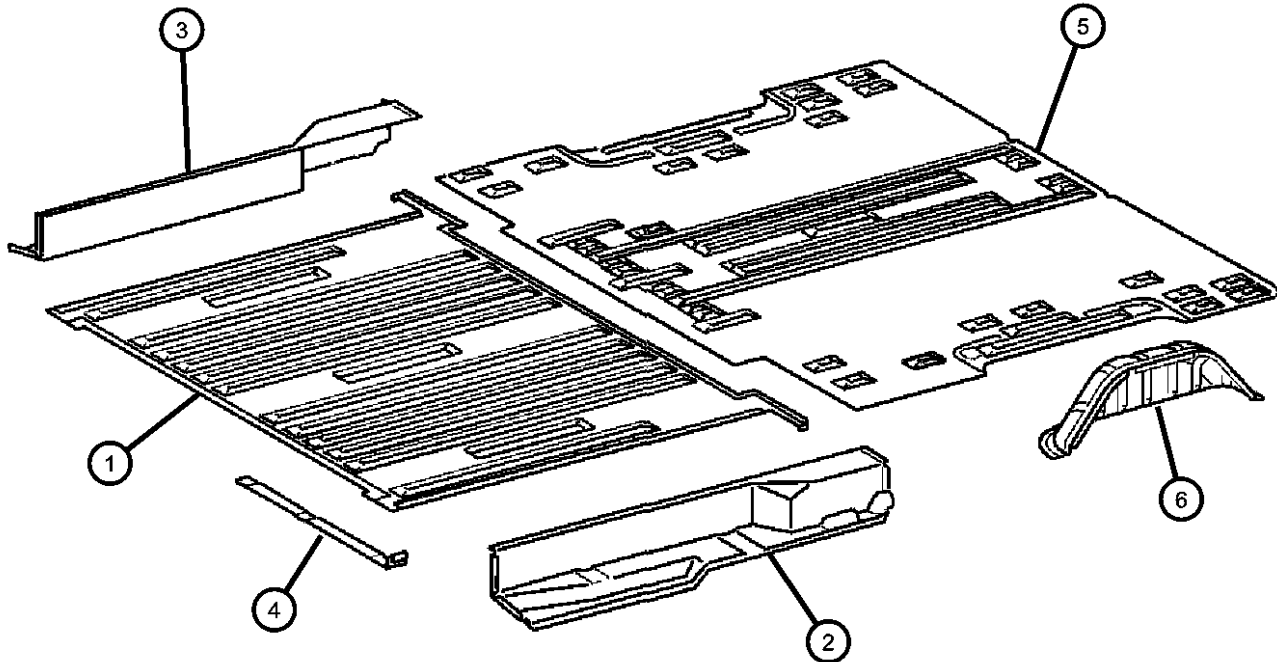
AR = use ase required - = Non illustrated part

2005 VA

Rear Floor Pan
Figure SVA-220

ITEM	PART NUMBER	QTY	LINE	SERIES	BODY	ENGINE	TRANS	TRIM	DESCRIPTION
------	-------------	-----	------	--------	------	--------	-------	------	-------------

Sales Codes:
 [CKZ] = Floor Covering, Rubber
 [CWC] = Cargo Partition
 [GKA] = Right Sliding Door
 [GKE] = Left Sliding Door



1									PAN, Center Floor
	05121536AA	1	2, 6		11, 12, 14, 15, 16				[GKE], Left Door Sliding
		1	2, 6		51, 52, 54, 55, 56				[GKE], Left Door Sliding
		1	3, 7		12, 15, 16				[GKE], Left Door Sliding
	05121540AA	1	2, 6		11, 12, 14, 15, 16				[GKE], Left Door Sliding & [GKA], Right Door Sliding
		1	2, 6		51, 52, 54, 55, 56				[GKE], Left Door Sliding & [GKA], Right Door Sliding
		1	3, 7		12, 15, 16				[GKE], Left Door Sliding & [GKA], Right Door Sliding
	05121544AA	1	2, 6		11, 12, 14, 15, 16				[GKA], Right Door Sliding
	05121546AA	1	2, 6		11, 12, 14, 15, 16				[CWC], With Cargo Partition
		1	3, 7		12, 15, 16				[CWC], With Cargo Partition
		1	2, 6		51, 52, 54, 55, 56				[GKA], Right Door Sliding
		1	3, 7		12, 15, 16				[GKA], Right Door Sliding
2									PANEL, Side Step Well, Left
	05121457AA	1	2, 6		11, 12, 14, 15, 16				[GKE], Left Door Sliding
		1	2, 6		51, 52, 54, 55, 56				[GKE], Left Door Sliding
		1	3, 7		12, 15, 16				[GKE], Left Door Sliding
	05121461AA	1	2, 6		11, 12, 14, 15, 16				[GKE], Left Door Sliding & [CKZ], Floor Covering, Rubber
		1	2, 6		51, 52, 54, 55, 56				[GKE], Left Door Sliding & [CKZ], Floor Covering, Rubber
		1	3, 7		12, 15, 16				[GKE], Left Door Sliding & [CKZ], Floor Covering, Rubber

SPRINTER (VA)

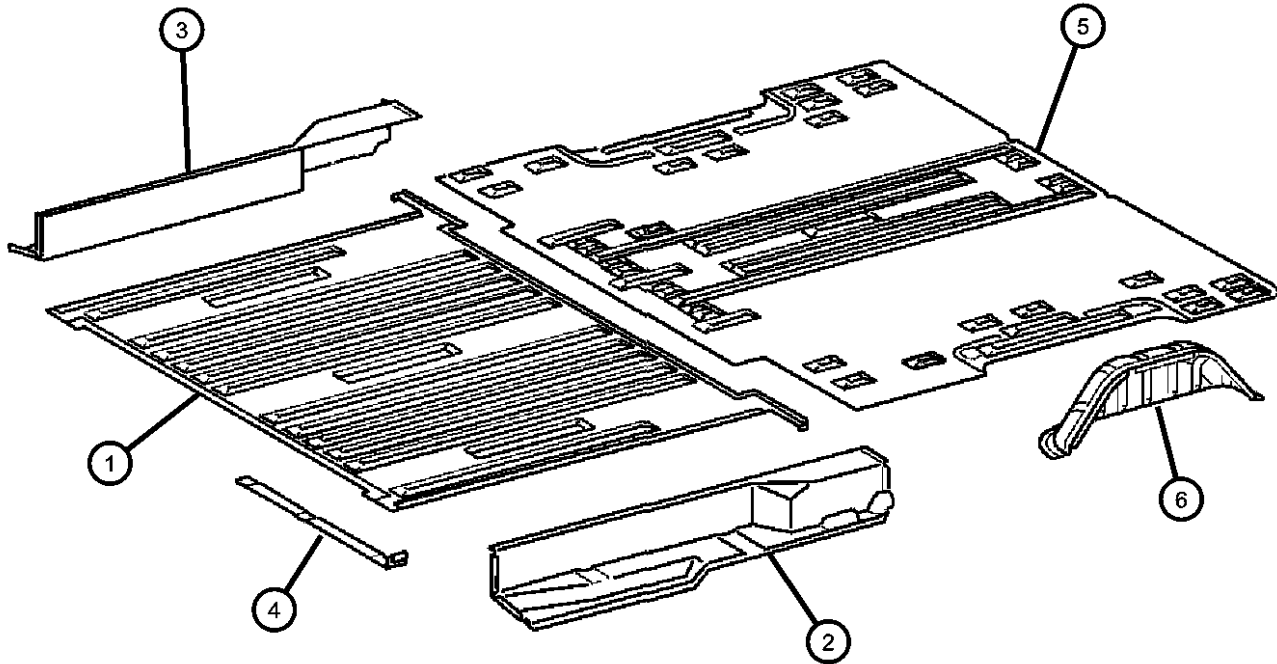
SERIES	LINE	BODY	ENGINE	TRANSMISSION
L = LOWLINE	3 = HD DODGE 2WD	12 = Van 140"	EX8 = Engine - 2.7L I5	DGJ = Transmission - 5-Spd Auto, MB
	8 = HD DODGE 4WD	51 = Wagon 118"	Mercedes-Benz TD	
	6 = Lt. Duty DODGE 4WD	52 = Wagon 140"		
	2 = Med. Duty DODGE 2WD	14 = Van 118"		
	7 = Med. Duty DODGE 4WD	15 = Van 140"		
	4 = TRUCK	16 = Van 158"		
		54 = Wagon 118"		
		55 = Wagon 140"		
		56 = Wagon 158"		
		01 = Chassis Forward Control 118"		
		02 = Chassis Forward Control 140"		
		06 = Front Section 158"		
		11 = Van 118"		

AR = use ase required - = Non illustrated part

2005 VA

**Rear Floor Pan
Figure SVA-220**

ITEM	PART NUMBER	QTY	LINE	SERIES	BODY	ENGINE	TRANS	TRIM	DESCRIPTION
3	05121464AA	1	2, 6		11, 12, 14, 15, 16				PANEL, Side Step Well, Right [GKA], Right Door Sliding & [CKZ], Floor Covering, Rubber
		1	2, 6		51, 52, 54, 55, 56				[GKA], Right Door Sliding & [CKZ], Floor Covering, Rubber
		1	3, 7		12, 15, 16				[GKA], Right Door Sliding & [CKZ], Floor Covering, Rubber
	05104158AA	1	2, 6		11, 12, 14, 15, 16				[GKA], Right Door Sliding
		1	2, 6		51, 52, 54, 55, 56				[GKA], Right Door Sliding
		1	3, 7		12, 15, 16				[GKA], Right Door Sliding
4	05121501AA	2	2, 6		11, 12, 14, 15, 16				BRACKET, Floor Pan, In Front of Central Entrance
		2	2, 6		51, 52, 54, 55, 56				
		2	3, 7		12, 15, 16				
5	05121474AA	1	3, 7		12, 15				PAN, Rear Floor 140 Inch Wheelbase
	05121476AA	1	3, 7		16				158 Inch Wheelbase
	05121561AA	1	2, 6		12, 15				140 Inch Wheelbase
		1	2, 6		52, 55				140 Inch Wheelbase
	05104565AA	1	2, 6		56				158 Inch Wheelbase
	05121563AA	1	2, 6		51, 54				118 Inch Wheelbase
6	05104162AA	2	2, 6		11, 12, 14, 15, 16				PANEL, Wheelhouse
		2	2, 6		51, 52, 54, 55, 56				
		2	3, 7		12, 15, 16				



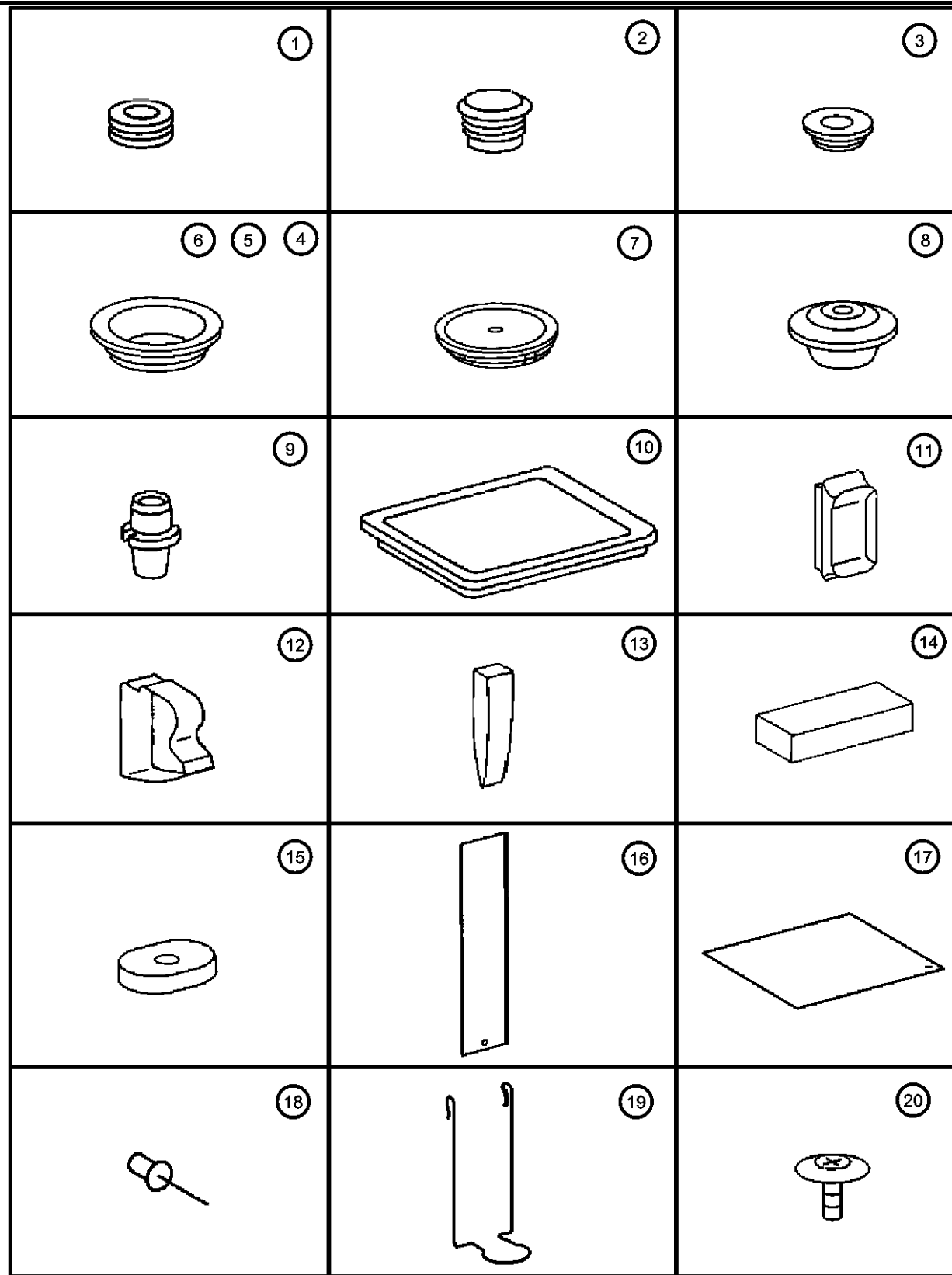
SPRINTER (VA)

SERIES	LINE	BODY	ENGINE	TRANSMISSION
L = LOWLINE	3 = HD DODGE 2WD 8 = HD DODGE 4WD 6 = Lt. Duty DODGE 4WD 2 = Med. Duty DODGE 2WD 7 = Med. Duty DODGE 4WD 4 = TRUCK	12 = Van 140" 51 = Wagon 118" 52 = Wagon 140" 14 = Van 118" 15 = Van 140" 16 = Van 158" 54 = Wagon 118" 55 = Wagon 140" 56 = Wagon 158" 01 = Chassis Forward Control 118" 02 = Chassis Forward Control 140" 06 = Front Section 158" 11 = Van 118"	EX8 = Engine - 2.7L I5 Mercedes-Benz TD	DGJ = Transmission - 5-Spd Auto, MB

AR = use ase required - = Non illustrated part

2005 VA

Plugs
Figure SVA-310



ITEM	PART NUMBER	QTY	LINE	SERIES	BODY	ENGINE	TRANS	TRIM	DESCRIPTION
1	05133657AA	1	3, 7		12, 15, 16				PLUG, Expansion, Dash Panel, Engine Compartment
	05133557AA	1	2, 6		01, 02, 06				
		1	2, 6		11, 12, 14, 15, 16				
2		1	2, 6		51, 52, 54, 55, 56				PLUG, Body, Water Drain, 22mm
	05125994AA	2	2, 6		01, 02, 06				
		2	2, 6		11, 12, 14, 15, 16				
		2	2, 6		51, 52, 54, 55, 56				
		2	3, 7		02, 06				
3		2	3, 7		12, 15, 16				PLUG, Door Contact Switch
	05098417AA	1	2, 6		51, 52, 54, 55, 56				
		1	2, 6		11, 12, 14, 15, 16				
4		1	3, 7		12, 15, 16				PLUG, W/S Washer Reservoir Hole
	05098441AA	2	3, 7		12, 15, 16				
		2	2, 6		11, 12, 14, 15, 16				
5		2	2, 6		11, 12, 14, 15, 16				GROMMET, Body
	05125511AA	2	3, 7		12, 15, 16				
6		4	2, 6		01, 02, 06				PLUG, Body
	05098415AA	8	2, 6		12, 15				
		8	2, 6		52, 55				

SPRINTER (VA)

SERIES

L = LOWLINE

LINE

3 = HD DODGE 2WD
8 = HD DODGE 4WD
6 = Lt. Duty DODGE 4WD
2 = Med. Duty DODGE 2WD
7 = Med. Duty DODGE 4WD
4 = TRUCK

BODY

12 = Van 140"
51 = Wagon 118"
52 = Wagon 140"
14 = Van 118"
15 = Van 140"
16 = Van 158"
54 = Wagon 118"
55 = Wagon 140"
56 = Wagon 158"
01 = Chassis Forward Control 118"
02 = Chassis Forward Control 140"
06 = Front Section 158"
11 = Van 118"

ENGINE

EX8 = Engine - 2.7L I5
Mercedes-Benz TD

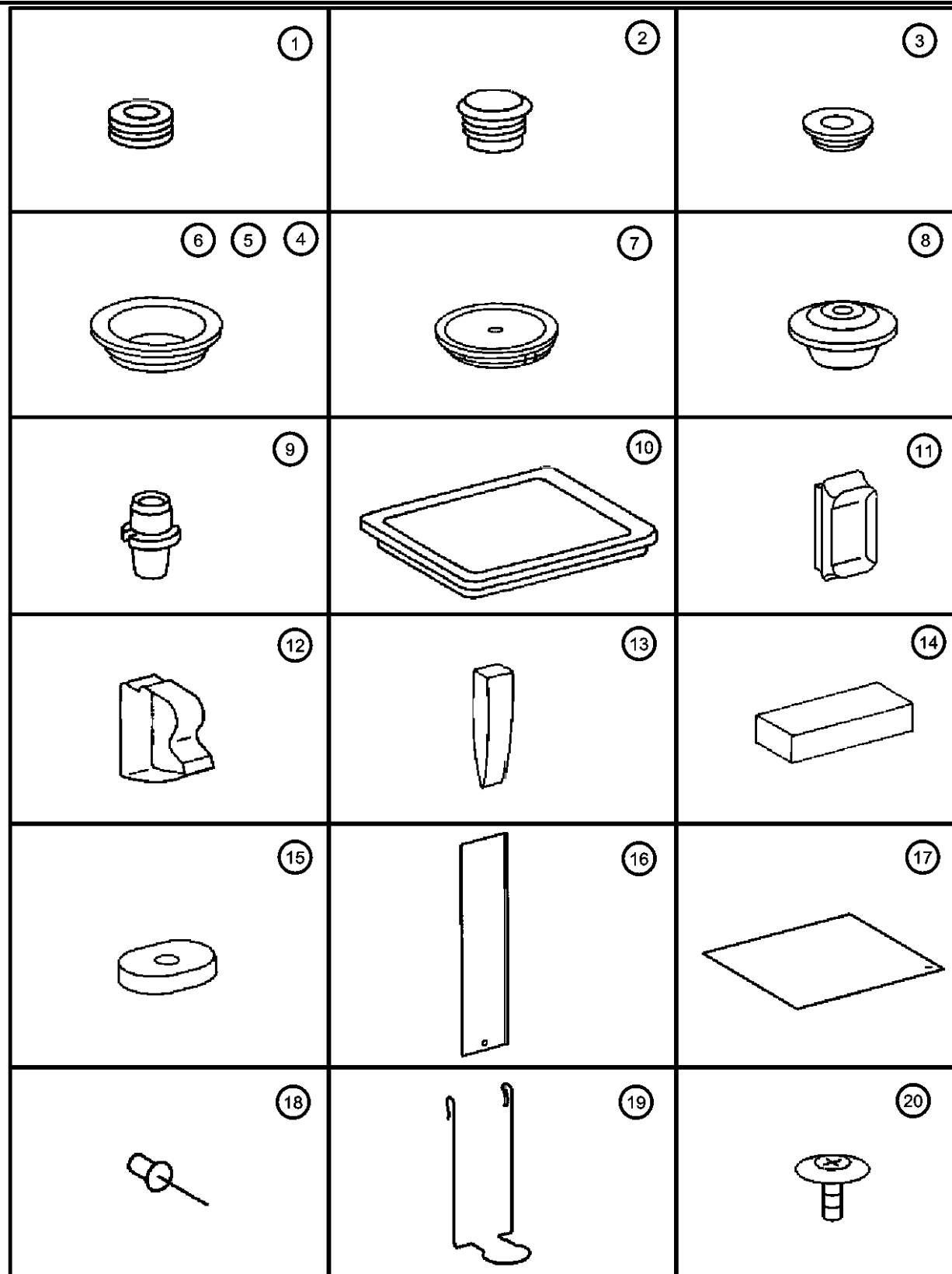
TRANSMISSION

DGJ = Transmission - 5-Spd Auto, MB

AR = use ase required - = Non illustrated part

2005 VA

Plugs
Figure SVA-310



ITEM	PART NUMBER	QTY	LINE	SERIES	BODY	ENGINE	TRANS	TRIM	DESCRIPTION
7	05125518AA	4	3, 7		02, 06				PLUG, Body, [89mm]
		8	3, 7		12, 15				
8	05103947AA	99	2, 6		11, 12, 14, 15, 16				PLUG
		99	2, 6		51, 52, 54, 55, 56				
		6	3, 7		12, 15				
		6	3, 7		16				
9	05133556AA	2	2, 6		11, 12, 14, 15, 16				DRAIN SPOUT, Drain Tube, [13mm]
		2	2, 6		51, 52, 54, 55, 56				
		2	3, 7		12, 15, 16				
		2	2, 6		01, 02, 06				
10	05126003AA	2	2, 6		11, 12, 14, 15, 16				PLUG, Body, Water Drain
		2	2, 6		51, 52, 54, 55, 56				
		2	3, 7		02, 06				
		2	3, 7		12, 15, 16				
11	05125514AA	2	2, 6		11, 12, 14, 15, 16				PLUG, Expansion
		4	2, 6		11, 12, 14, 15, 16				

SPRINTER (VA)

SERIES

L = LOWLINE

LINE

3 = HD DODGE 2WD
 8 = HD DODGE 4WD
 6 = Lt. Duty DODGE 4WD
 2 = Med. Duty DODGE 2WD
 7 = Med. Duty DODGE 4WD
 4 = TRUCK

BODY

12 = Van 140"
 51 = Wagon 118"
 52 = Wagon 140"
 14 = Van 118"
 15 = Van 140"
 16 = Van 158"
 54 = Wagon 118"
 55 = Wagon 140"
 56 = Wagon 158"
 01 = Chassis Forward Control 118"
 02 = Chassis Forward Control 140"
 06 = Front Section 158"
 11 = Van 118"

ENGINE

EX8 = Engine - 2.7L I5
 Mercedes-Benz TD

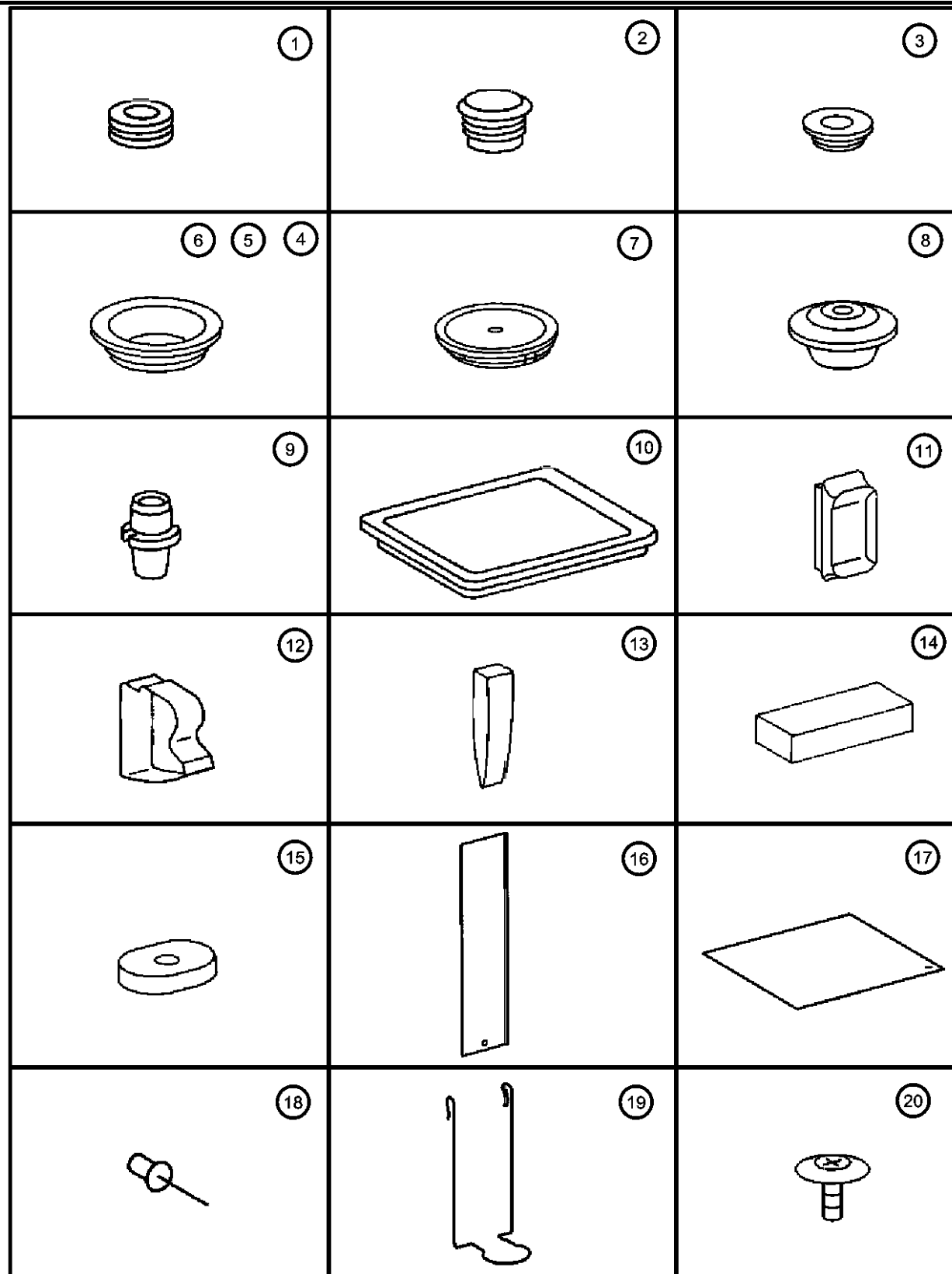
TRANSMISSION

DGJ = Transmission - 5-Spd Auto, MB

AR = use ase required - = Non illustrated part

2005 VA

Plugs
Figure SVA-310



ITEM	PART NUMBER	QTY	LINE	SERIES	BODY	ENGINE	TRANS	TRIM	DESCRIPTION
12	05124765AA	4	2, 6		51, 52, 54, 55, 56				SEAL
		4	3, 7		12, 15, 16				
13	05124768AA	2	2, 6		01, 02, 06				SEAL
		4	2, 6		11, 12, 14, 15, 16				
		4	2, 6		51, 52, 54, 55, 56				
		4	3, 7		12, 15, 16				
14	05124771AA	2	2, 6		11, 12, 14, 15, 16				SEAL, B-Pillar, Right
		2	3, 7		51, 52, 54, 55, 56				
15	05124774AA	1	2, 6		01, 02, 06				GROMMET Oval Shape
		1	2, 6		51, 52, 54, 55, 56				
		1	3, 7		02, 06				
		1	3, 7		12, 15, 16				
		1	2, 6		11, 12, 14, 15, 16				
15	05124775AA	1	2, 6		01, 02, 06				GROMMET Oval Shape
		1	2, 6		11, 12, 14, 15, 16				
		1	2, 6		51, 52, 54, 55, 56				
		1	3, 7		02, 06				
15	05124775AA	1	3, 7		12, 15, 16				Oval Shape
		1	3, 7		02, 06				
		1	2, 6		01, 02, 06				

SPRINTER (VA)

SERIES

L = LOWLINE

LINE

3 = HD DODGE 2WD
8 = HD DODGE 4WD
6 = Lt. Duty DODGE 4WD
2 = Med. Duty DODGE 2WD
7 = Med. Duty DODGE 4WD
4 = TRUCK

BODY

12 = Van 140"
51 = Wagon 118"
52 = Wagon 140"
14 = Van 118"
15 = Van 140"
16 = Van 158"
54 = Wagon 118"
55 = Wagon 140"
56 = Wagon 158"
01 = Chassis Forward Control 118"
02 = Chassis Forward Control 140"
06 = Front Section 158"
11 = Van 118"

ENGINE

EX8 = Engine - 2.7L I5
Mercedes-Benz TD

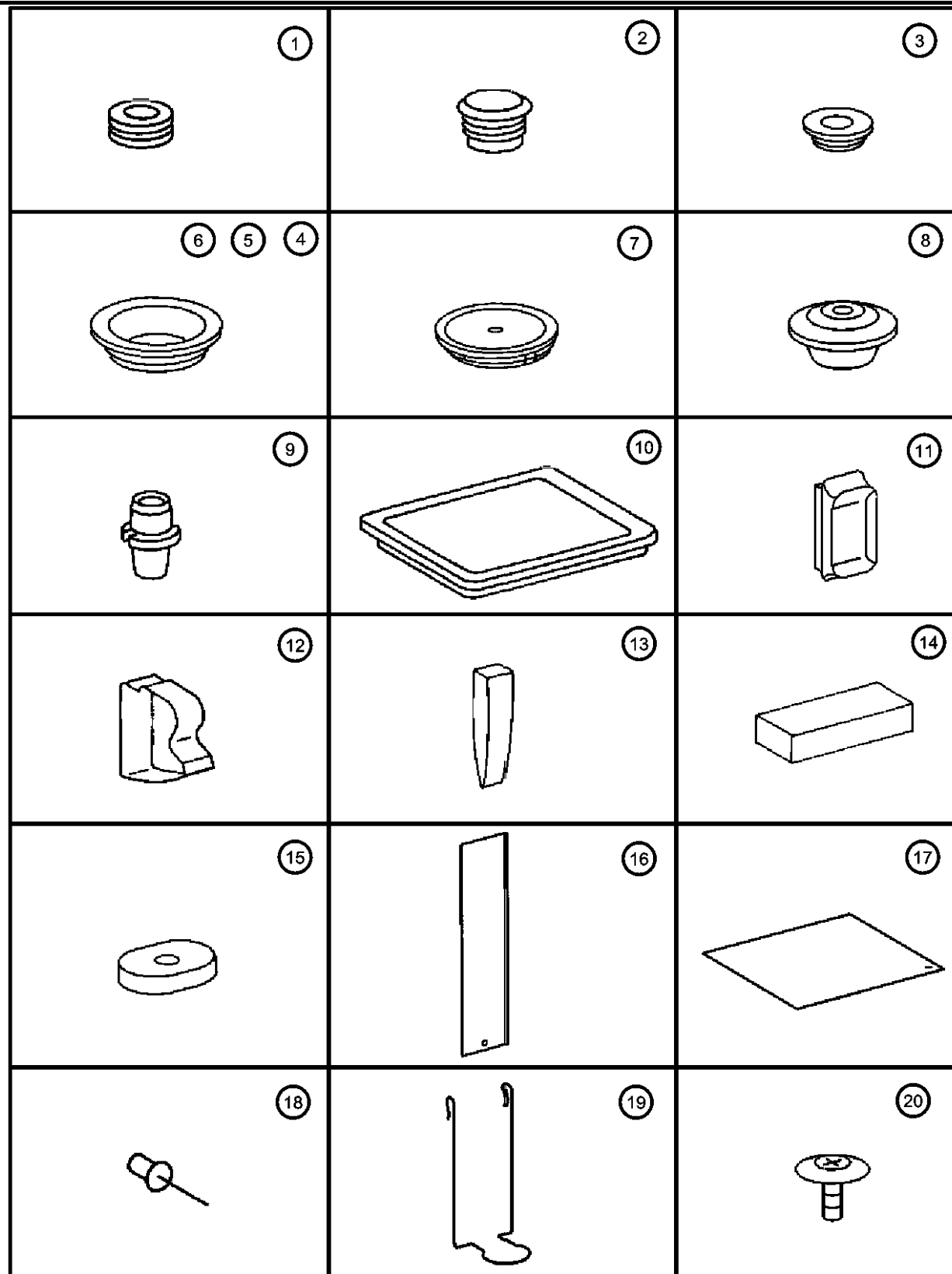
TRANSMISSION

DGJ = Transmission - 5-Spd Auto, MB

AR = use ase required - = Non illustrated part

2005 VA

**Plugs
Figure SVA-310**

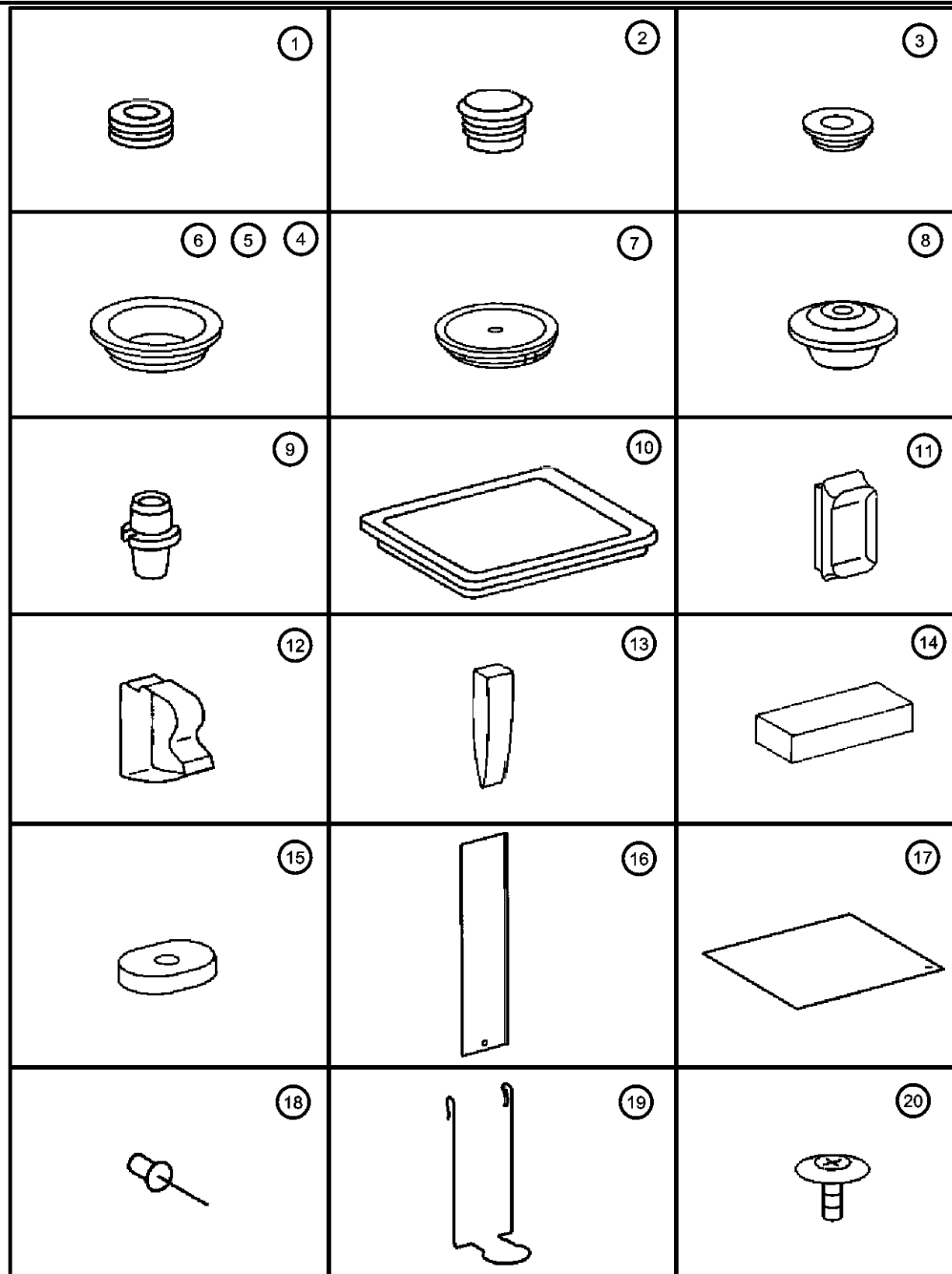


ITEM	PART NUMBER	QTY	LINE	SERIES	BODY	ENGINE	TRANS	TRIM	DESCRIPTION
		1	2, 6		11, 12, 14, 15, 16				Circular Solid
		1	2, 6		51, 52, 54, 55, 56				Circular Solid
		1	3, 7		02, 06				Circular Solid
	05124777AA	1	2, 6		01, 02, 06				Circular With Hole
		1	2, 6		11, 12, 14, 15, 16				Circular With Hole
		1	2, 6		51, 52, 54, 55, 56				Circular With Hole
		1	3, 7		02, 06				Circular With Hole
		1	3, 7		12, 15, 16				Circular With Hole
		1	3, 7		12, 15, 16				Circular Solid
16									COVER, Cable Guide Duct
	05122651AA	1	2, 6		01, 02, 06				
		1	2, 6		11, 12, 14, 15, 16				
		1	2, 6		51, 52, 54, 55, 56				
		1	3, 7		12, 15, 16				
		1	3, 7		02, 06				
17									COVER, Cable Guide Duct
	05122648AA	1	2, 6		01, 02, 06				
		1	2, 6		11, 12, 14, 15, 16				
		1	2, 6		51, 52, 54, 55, 56				
		1	3, 7		02, 06				
		1	3, 7		12, 15, 16				
18									RIVET, Blind Bulb, Cable Guide Duct [4.0x8]
	05133417AA	3	2, 6		01, 02, 06				
		3	3, 7		12, 15, 16				

SPRINTER (VA)									
SERIES	LINE			BODY		ENGINE		TRANSMISSION	
L = LOWLINE	3 = HD DODGE 2WD			12 = Van 140"		EX8 = Engine - 2.7L I5		DGJ = Transmission - 5-Spd Auto, MB	
	8 = HD DODGE 4WD			51 = Wagon 118"		Mercedes-Benz TD			
	6 = Lt. Duty DODGE 4WD			52 = Wagon 140"					
	2 = Med. Duty DODGE 2WD			14 = Van 118"					
	7 = Med. Duty DODGE 4WD			15 = Van 140"					
	4 = TRUCK			16 = Van 158"					
				54 = Wagon 118"					
				55 = Wagon 140"					
				56 = Wagon 158"					
				01 = Chassis Forward Control 118"					
				02 = Chassis Forward Control 140"					
				06 = Front Section 158"					
				11 = Van 118"					

AR = use ase required - = Non illustrated part

Plugs
Figure SVA-310



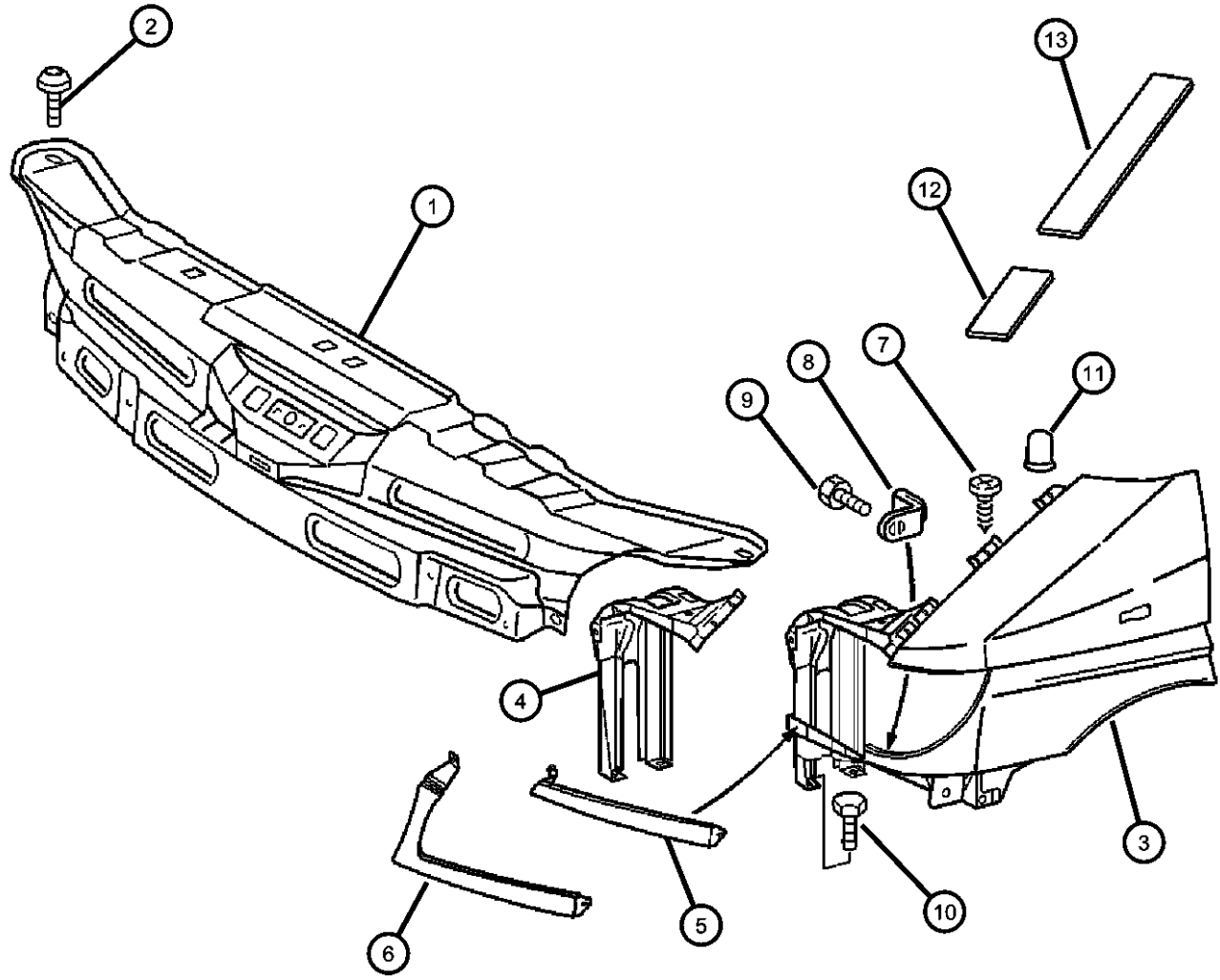
ITEM	PART NUMBER	QTY	LINE	SERIES	BODY	ENGINE	TRANS	TRIM	DESCRIPTION
		3	2, 6		11, 12, 14, 15, 16				
		3	2, 6		51, 52, 54, 55, 56				
		3	3, 7		02, 06				
19	05133558AA	2	2, 6		11, 12, 14, 15, 16				CLIP, Instrument Panel
		2	2, 6		51, 52, 54, 55, 56				
		1	3, 7		02, 06				
		1	3, 7		12, 15, 16				
20	05125982AA	1	2, 6		11, 12, 14, 15, 16				PLUG, Body
		1	2, 6		51, 52, 54, 55, 56				
		1	3, 7		12, 15, 16				

SPRINTER (VA)				
SERIES	LINE	BODY	ENGINE	TRANSMISSION
L = LOWLINE	3 = HD DODGE 2WD 8 = HD DODGE 4WD 6 = Lt. Duty DODGE 4WD 2 = Med. Duty DODGE 2WD 7 = Med. Duty DODGE 4WD 4 = TRUCK	12 = Van 140" 51 = Wagon 118" 52 = Wagon 140" 14 = Van 118" 15 = Van 140" 16 = Van 158" 54 = Wagon 118" 55 = Wagon 140" 56 = Wagon 158" 01 = Chassis Forward Control 118" 02 = Chassis Forward Control 140" 06 = Front Section 158" 11 = Van 118"	EX8 = Engine - 2.7L I5 Mercedes-Benz TD	DGJ = Transmission - 5-Spd Auto, MB

AR = use ase required - = Non illustrated part

2005 VA

**Front Fender
Figure SVA-410**

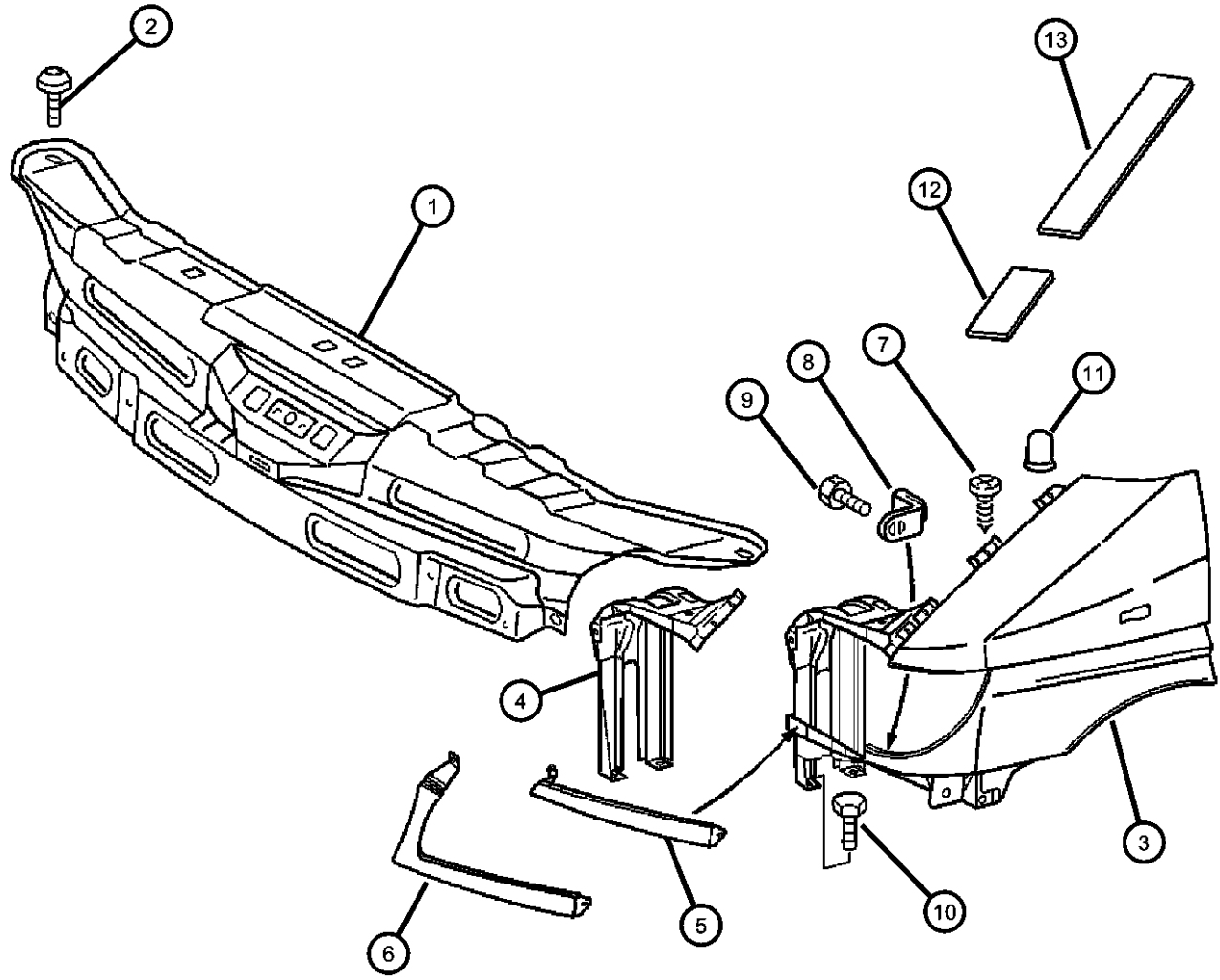


ITEM	PART NUMBER	QTY	LINE	SERIES	BODY	ENGINE	TRANS	TRIM	DESCRIPTION
1	05104504AA	1	2, 6		01, 02, 06				CROSSMEMBER, Radiator
		1	2, 6		11, 12, 14, 15, 16				
		1	2, 6		51, 52, 54, 55, 56				
		1	3, 7		02, 06				
		1	3, 7		12, 15, 16				
2	05103713AA	4	2, 6		01, 02, 06				SCREW
		4	2, 6		11, 12, 14, 15, 16				
		4	2, 6		51, 52, 54, 55, 56				
		4	3, 7		02, 06				
		4	3, 7		12, 15, 16				
3	05104180AA	1	2, 6		01, 02, 06				FENDER, Front
		1	2, 6		11, 12, 14, 15, 16				Left
		1	2, 6		51, 52, 54, 55, 56				Left
		1	3, 7		02, 06				Left
		1	3, 7		12, 15, 16				Left
	05104181AA	1	2, 6		01, 02, 06				Right
		1	2, 6		11, 12, 14, 15, 16				Right
		1	2, 6		51, 52, 54, 55, 56				Right
		1	3, 7		02, 06				Right
		1	3, 7		12, 15, 16				Right
4	05104165AA	1	2, 6		01, 02, 06				SUPPORT, Radiator Closure Panel
									Left

SPRINTER (VA)
 SERIES LINE BODY ENGINE TRANSMISSION
 L = LOWLINE 3 = HD DODGE 2WD 12 = Van 140" EX8 = Engine - 2.7L I5 DGJ = Transmission - 5-Spd Auto, MB
 8 = HD DODGE 4WD 51 = Wagon 118" Mercedes-Benz TD
 6 = Lt. Duty DODGE 4WD 52 = Wagon 140"
 2 = Med. Duty DODGE 2WD 14 = Van 118"
 7 = Med. Duty DODGE 4WD 15 = Van 140"
 4 = TRUCK 16 = Van 158"
 54 = Wagon 118"
 55 = Wagon 140"
 56 = Wagon 158"
 01 = Chassis Forward Control
 118"
 02 = Chassis Forward Control
 140"
 06 = Front Section 158"
 11 = Van 118"

AR = use ase required - = Non illustrated part

Front Fender
Figure SVA-410



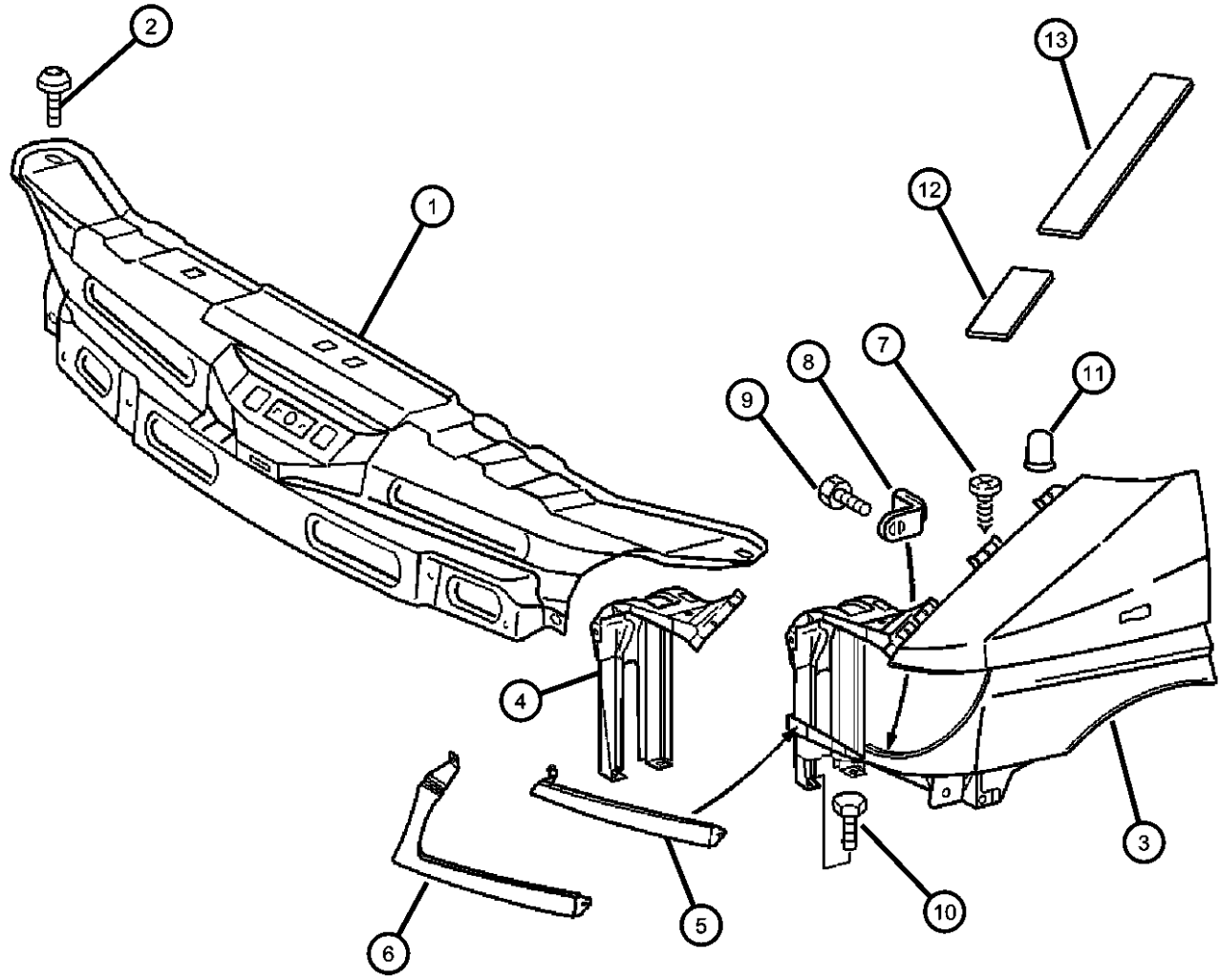
ITEM	PART NUMBER	QTY	LINE	SERIES	BODY	ENGINE	TRANS	TRIM	DESCRIPTION
		1	2, 6		11, 12, 14, 15, 16				Left
		1	2, 6		51, 52, 54, 55, 56				Left
		1	3, 7		02, 06				Left
		1	3, 7		12, 15, 16				Left
	05104169AA	1	2, 6		01, 02, 06				Right
		1	2, 6		11, 12, 14, 15, 16				Right
		1	2, 6		51, 52, 54, 55, 56				Right
		1	3, 7		02, 06				Right
		1	3, 7		12, 15, 16				Right
5									BEZEL, Headlamp, Dodge
	05104210AA	1	2, 3						Left
	05104213AA	1	2, 3						Right
6									BEZEL, Headlamp, Freightliner
	05104216AA	1	6		01, 02, 06				Left
		1	6		11, 12, 14, 15, 16				Left
		1	6		51, 52, 54, 55, 56				Left
		1	7		02, 06				Left
		1	7		12, 15, 16				Left
	05104217AA	1	6		01, 02, 06				Right
		1	6		11, 12, 14, 15, 16				Right
		1	6		51, 52, 54, 55, 56				Right
		1	7		02, 06				Right
		1	7		12, 15, 16				Right
7									SCREW

SPRINTER (VA)

SERIES	LINE	BODY	ENGINE	TRANSMISSION
L = LOWLINE	3 = HD DODGE 2WD	12 = Van 140"	EX8 = Engine - 2.7L I5	DGJ = Transmission - 5-Spd Auto, MB
	8 = HD DODGE 4WD	51 = Wagon 118"	Mercedes-Benz TD	
	6 = Lt. Duty DODGE 4WD	52 = Wagon 140"		
	2 = Med. Duty DODGE 2WD	14 = Van 118"		
	7 = Med. Duty DODGE 4WD	15 = Van 140"		
	4 = TRUCK	16 = Van 158"		
		54 = Wagon 118"		
		55 = Wagon 140"		
		56 = Wagon 158"		
		01 = Chassis Forward Control 118"		
		02 = Chassis Forward Control 140"		
		06 = Front Section 158"		
		11 = Van 118"		

AR = use ase required - = Non illustrated part

**Front Fender
Figure SVA-410**



ITEM	PART NUMBER	QTY	LINE	SERIES	BODY	ENGINE	TRANS	TRIM	DESCRIPTION
	06104581AA	7	2, 6		01, 02, 06				
		7	2, 6		11, 12, 14, 15, 16				
		7	2, 6		51, 52, 54, 55, 56				
		7	3, 7		02, 06				
		7	3, 7		12, 15, 16				
8									RETAINER
	05104527AA	1	2, 6		01, 02, 06				
		1	2, 6		11, 12, 14, 15, 16				
		1	2, 6		51, 52, 54, 55, 56				
		1	3, 7		02, 06				
		1	3, 7		12, 15, 16				
9									SCREW, Tapping
	06104574AA	2	2, 6		01, 02, 06				
		2	2, 6		11, 12, 14, 15, 16				
		2	2, 6		51, 52, 54, 55, 56				
		2	3, 7		02, 06				
		2	3, 7		12, 15, 16				
10	06104022AA	3	2, 3, 6, 7						SCREW
11									CAP, Protective
	05104537AA	1	2, 6		01, 02, 06				
		1	2, 6		11, 12, 14, 15, 16				
		1	2, 6		51, 52, 54, 55, 56				
		1	3, 7		02, 06				
		1	3, 7		12, 15, 16				

SPRINTER (VA)

SERIES	LINE	BODY	ENGINE	TRANSMISSION
L = LOWLINE	3 = HD DODGE 2WD 8 = HD DODGE 4WD 6 = Lt. Duty DODGE 4WD 2 = Med. Duty DODGE 2WD 7 = Med. Duty DODGE 4WD 4 = TRUCK	12 = Van 140" 51 = Wagon 118" 52 = Wagon 140" 14 = Van 118" 15 = Van 140" 16 = Van 158" 54 = Wagon 118" 55 = Wagon 140" 56 = Wagon 158" 01 = Chassis Forward Control 118" 02 = Chassis Forward Control 140" 06 = Front Section 158" 11 = Van 118"	EX8 = Engine - 2.7L I5 Mercedes-Benz TD	DGJ = Transmission - 5-Spd Auto, MB

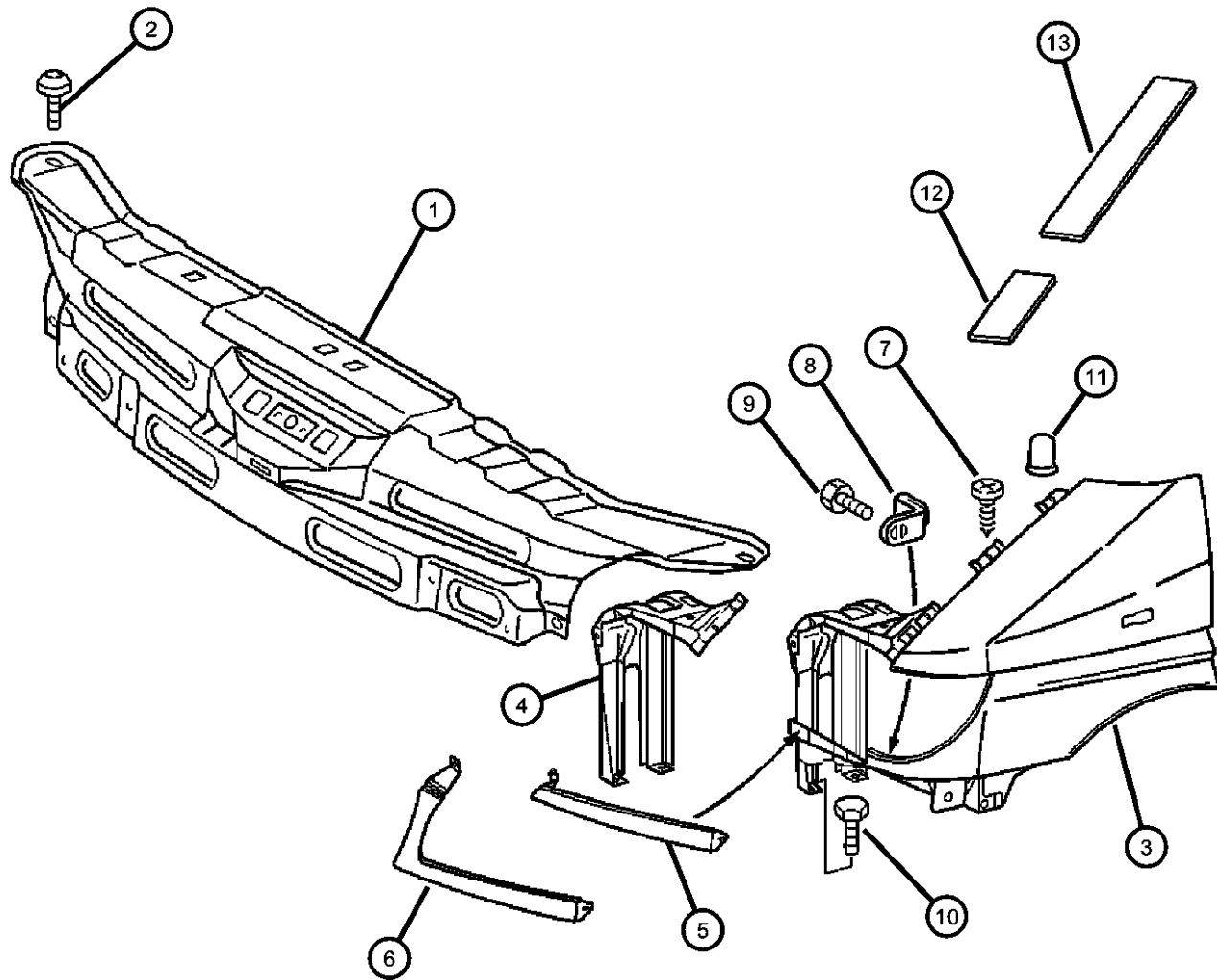
AR = use ase required - = Non illustrated part

Front Fender
Figure SVA-410

ITEM	PART NUMBER	QTY	LINE	SERIES	BODY	ENGINE	TRANS	TRIM	DESCRIPTION
------	-------------	-----	------	--------	------	--------	-------	------	-------------

12									SEAL, Fender To Cowl
	05121445AA	2	2, 6		01, 02, 06				
		2	2, 6		11, 12, 14, 15, 16				
		2	2, 6		51, 52, 54, 55, 56				
		2	3, 7		02, 06				
		2	3, 7		12, 15, 16				

13									SEAL, Fender To Cowl
	05121446AA	1	2, 6		01, 02, 06				
		1	2, 6		11, 12, 14, 15, 16				
		1	2, 6		51, 52, 54, 55, 56				
		1	3, 7		02, 06				
		1	3, 7		12, 15, 16				



SPRINTER (VA)

SERIES

L = LOWLINE

LINE

3 = HD DODGE 2WD
8 = HD DODGE 4WD
6 = Lt. Duty DODGE 4WD
2 = Med. Duty DODGE 2WD
7 = Med. Duty DODGE 4WD
4 = TRUCK

BODY

12 = Van 140"
51 = Wagon 118"
52 = Wagon 140"
14 = Van 118"
15 = Van 140"
16 = Van 158"
54 = Wagon 118"
55 = Wagon 140"
56 = Wagon 158"
01 = Chassis Forward Control 118"
02 = Chassis Forward Control 140"
06 = Front Section 158"
11 = Van 118"

ENGINE

EX8 = Engine - 2.7L I5
Mercedes-Benz TD

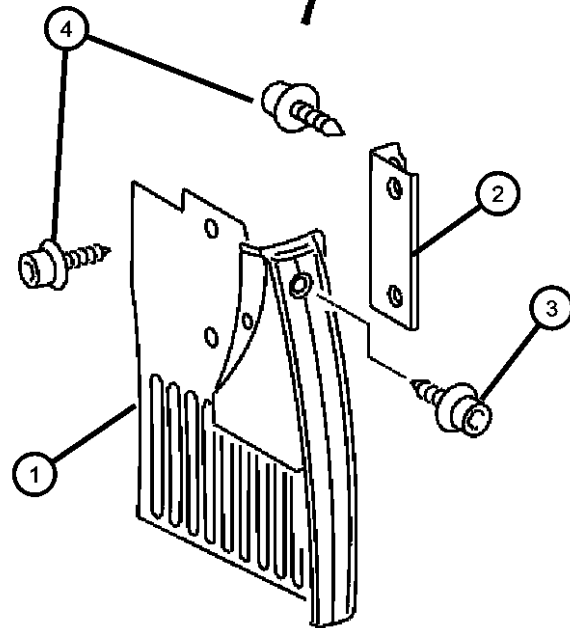
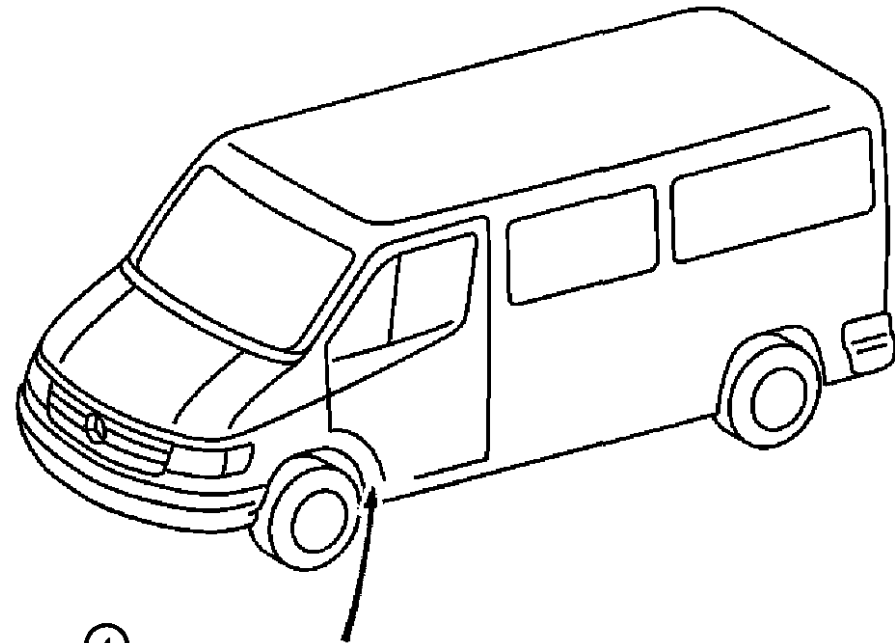
TRANSMISSION

DGJ = Transmission - 5-Spd Auto, MB

AR = use ase required - = Non illustrated part

2005 VA

**Fender Splash Guards
Figure SVA-420**



ITEM	PART NUMBER	QTY	LINE	SERIES	BODY	ENGINE	TRANS	TRIM	DESCRIPTION
1									GUARD, Splash
	05104518AA	1	2, 6		01, 02, 06				Left
		1	2, 6		11, 12, 14, 15, 16				Left
		1	2, 6		51, 52, 54, 55, 56				Left
		1	3, 7		02, 06				Left
		1	3, 7		12, 15, 16				Left
	05104521AA	1	2, 6		01, 02, 06				Right
		1	2, 6		11, 12, 14, 15, 16				Right
		1	2, 6		51, 52, 54, 55, 56				Right
		1	3, 7		02, 06				Right
		1	3, 7		12, 15, 16				Right
	05132502AA	1	2, 6		01, 02, 06				With 16 Inch Wheels, Left
		1	2, 6		11, 12, 14, 15, 16				With 16 Inch Wheels, Left
		1	2, 6		51, 52, 54, 55, 56				With 16 Inch Wheels, Left
	05132504AA	1	2, 6		01, 02, 06				With 16 Inch Wheels, Right
		1	2, 6		11, 12, 14, 15, 16				With 16 Inch Wheels, Right
		1	2, 6		51, 52, 54, 55, 56				With 16 Inch Wheels, Right
2									BRACKET
	05104519AA	1	2, 6		01, 02, 06				
		1	2, 6		11, 12, 14, 15, 16				
		1	2, 6		51, 52, 54, 55, 56				
		2	3, 7		02, 06				
		2	3, 7		12, 15, 16				
3									SCREW

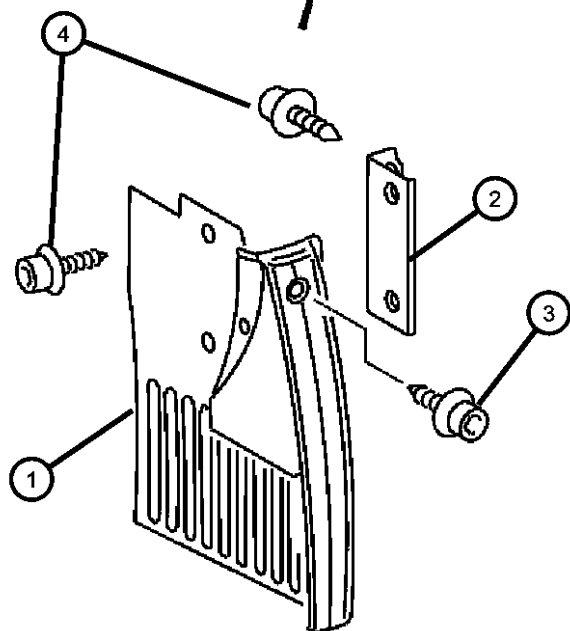
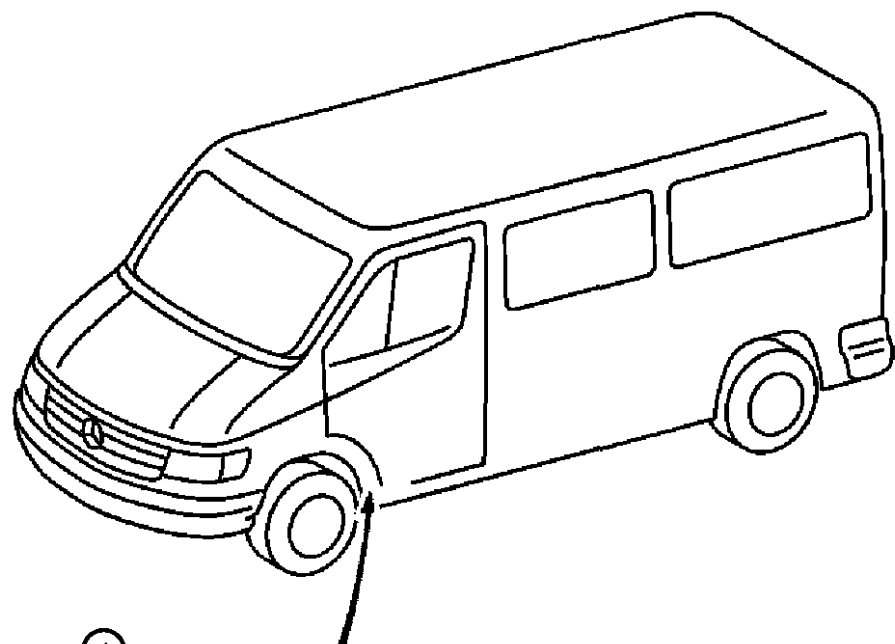
SPRINTER (VA)

SERIES	LINE	BODY	ENGINE	TRANSMISSION
L = LOWLINE	3 = HD DODGE 2WD 8 = HD DODGE 4WD 6 = Lt. Duty DODGE 4WD 2 = Med. Duty DODGE 2WD 7 = Med. Duty DODGE 4WD 4 = TRUCK	12 = Van 140" 51 = Wagon 118" 52 = Wagon 140" 14 = Van 118" 15 = Van 140" 16 = Van 158" 54 = Wagon 118" 55 = Wagon 140" 56 = Wagon 158" 01 = Chassis Forward Control 118" 02 = Chassis Forward Control 140" 06 = Front Section 158" 11 = Van 118"	EX8 = Engine - 2.7L I5 Mercedes-Benz TD	DGJ = Transmission - 5-Spd Auto, MB

AR = use ase required - = Non illustrated part

Fender Splash Guards
Figure SVA-420

ITEM	PART NUMBER	QTY	LINE	SERIES	BODY	ENGINE	TRANS	TRIM	DESCRIPTION
	06104582AA	2	2, 6		01, 02, 06				
		2	2, 6		11, 12, 14, 15, 16				
		2	2, 6		51, 52, 54, 55, 56				
		2	3, 7		02, 06				
		2	3, 7		12, 15, 16				
4	06104581AA	7	2, 6		01, 02, 06				SCREW
		1	2, 6		11, 12, 14, 15, 16				
		1	2, 6		51, 52, 54, 55, 56				
		1	3, 7		02, 06				
		1	3, 7		12, 15, 16				



SPRINTER (VA)

SERIES

L = LOWLINE

LINE

3 = HD DODGE 2WD
8 = HD DODGE 4WD
6 = Lt. Duty DODGE 4WD
2 = Med. Duty DODGE 2WD
7 = Med. Duty DODGE 4WD
4 = TRUCK

BODY

12 = Van 140"
51 = Wagon 118"
52 = Wagon 140"
14 = Van 118"
15 = Van 140"
16 = Van 158"
54 = Wagon 118"
55 = Wagon 140"
56 = Wagon 158"
01 = Chassis Forward Control
118"
02 = Chassis Forward Control
140"
06 = Front Section 158"
11 = Van 118"

ENGINE

EX8 = Engine - 2.7L I5
Mercedes-Benz TD

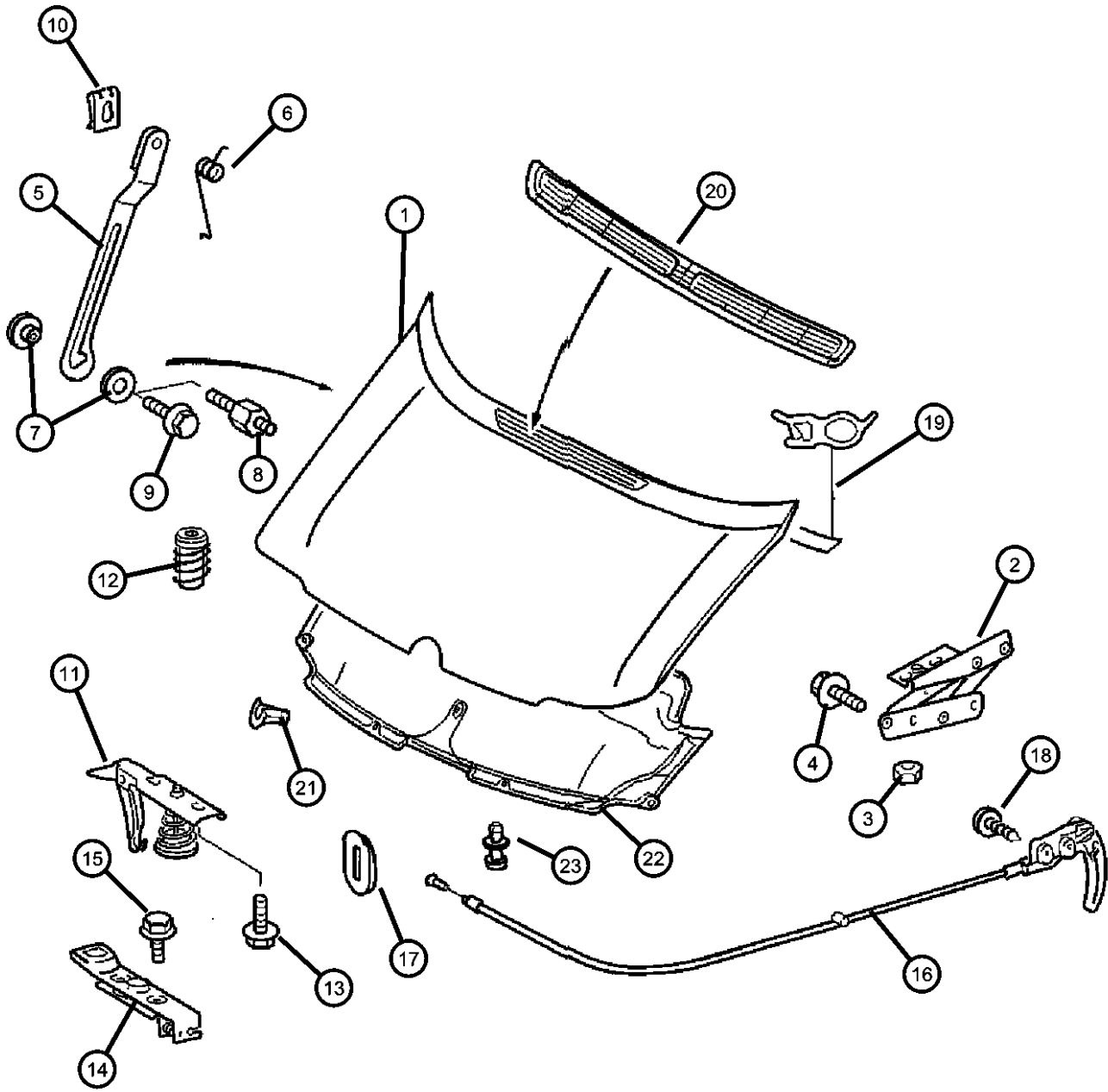
TRANSMISSION

DGJ = Transmission - 5-Spd Auto, MB

AR = use ase required - = Non illustrated part

2005 VA

**Hood and Hood Release
Figure SVA-510**



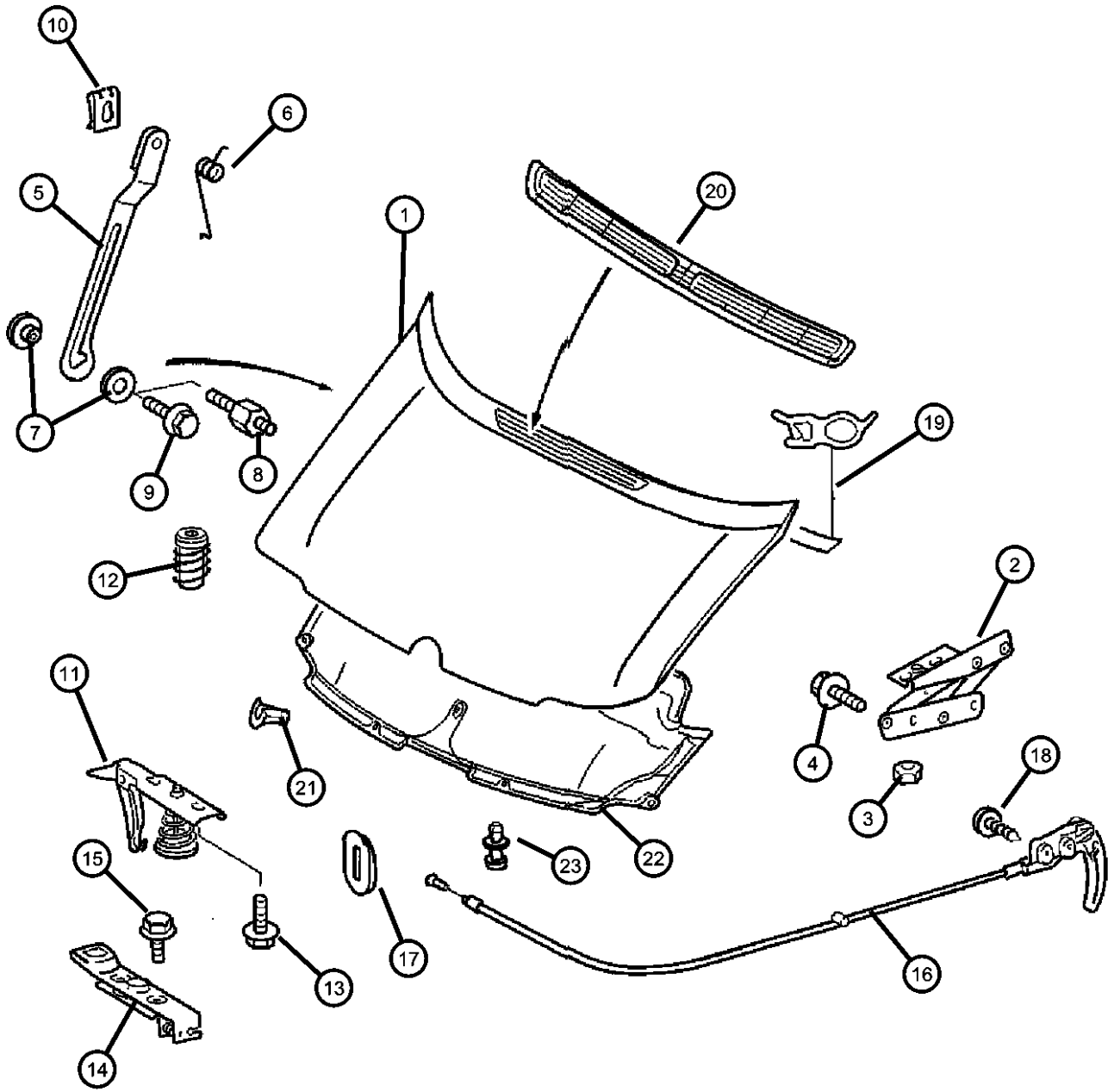
ITEM	PART NUMBER	QTY	LINE	SERIES	BODY	ENGINE	TRANS	TRIM	DESCRIPTION
1									HOOD
	05104402AB	1	2, 6		01, 02, 06				
		1	2, 6		11, 12, 14, 15, 16				
		1	2, 6		51, 52, 54, 55, 56				
		1	3, 7		02, 06				
		1	3, 7		12, 15, 16				
2									HINGE, Hood
	05104404AA	1	2, 6		01, 02, 06				Left
		1	2, 6		11, 12, 14, 15, 16				Left
		1	2, 6		51, 52, 54, 55, 56				Left
		1	3, 7		02, 06				Left
		1	3, 7		12, 15, 16				Left
	05104406AA	1	3, 7		02, 06				Right
		1	3, 7		12, 15, 16				Right
		1	2, 6		01, 02, 06				Right
		1	6, 2		11, 12, 14, 15, 16				Right
		1	2, 6		51, 52, 54, 55, 56				Right
3									NUT
	05103731AA	4	2, 6		01, 02, 06				
		4	2, 6		11, 12, 14, 15, 16				
		4	2, 6		51, 52, 54, 55, 56				
		4	3, 7		02, 06				
		4	3, 7		12, 15, 16				
4									SCREW
	06104022AA	1	2, 6		01, 02, 06				

SPRINTER (VA)

SERIES	LINE	BODY	ENGINE	TRANSMISSION
L = LOWLINE	3 = HD DODGE 2WD 8 = HD DODGE 4WD 6 = Lt. Duty DODGE 4WD 2 = Med. Duty DODGE 2WD 7 = Med. Duty DODGE 4WD 4 = TRUCK	12 = Van 140" 51 = Wagon 118" 52 = Wagon 140" 14 = Van 118" 15 = Van 140" 16 = Van 158" 54 = Wagon 118" 55 = Wagon 140" 56 = Wagon 158"	EX8 = Engine - 2.7L I5 Mercedes-Benz TD	DGJ = Transmission - 5-Spd Auto, MB
		01 = Chassis Forward Control 118" 02 = Chassis Forward Control 140" 06 = Front Section 158" 11 = Van 118"		

AR = use ase required - = Non illustrated part

Hood and Hood Release Figure SVA-510



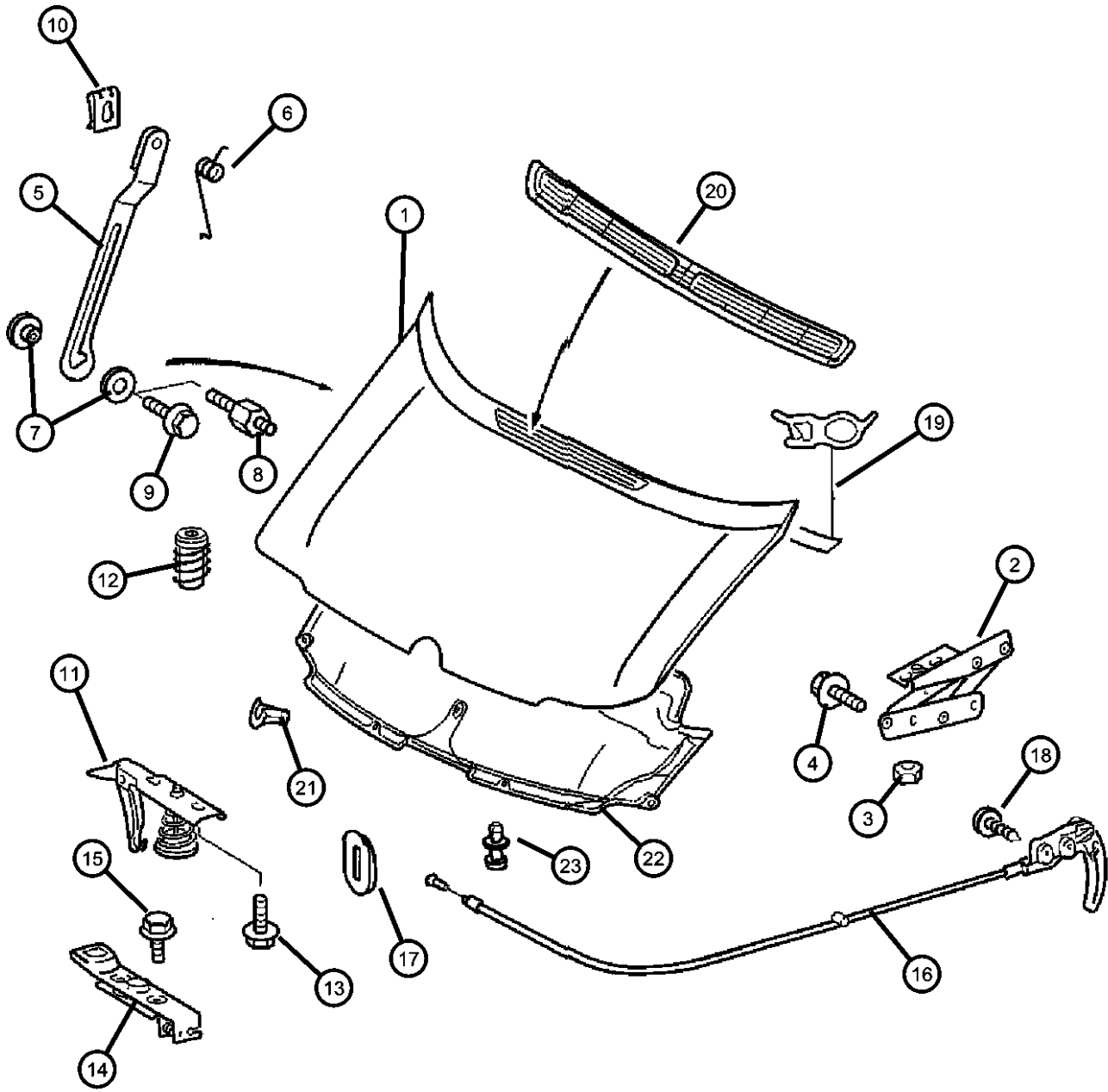
ITEM	PART NUMBER	QTY	LINE	SERIES	BODY	ENGINE	TRANS	TRIM	DESCRIPTION
		1	2, 6		11, 12, 14, 15, 16				
		1	3, 7		02, 06				
		1	3, 7		12, 15, 16				
		1	2, 6		51, 52, 54, 55, 56				
5									PROP, Hood
	05104407AA	1	2, 6		01, 02, 06				
		1	2, 6		11, 12, 14, 15, 16				
		1	2, 6		51, 52, 54, 55, 56				
		1	3, 7		02, 06				
		1	3, 7		12, 15, 16				
6									SPRING
	05104546AA	1	3, 7		02, 06				
		1	3, 7		12, 15, 16				
		1	2, 6		01, 02, 06				
		1	2, 6		11, 12, 14, 15, 16				
		1	2, 6		51, 52, 54, 55, 56				
7									BUSHING, Hood Prop Rod Pivot
	05104545AA	2	2, 6		01, 02, 06				
		2	2, 6		11, 12, 14, 15, 16				
		2	2, 6		51, 52, 54, 55, 56				
		2	3, 7		02, 06				
		2	3, 7		12, 15, 16				
8									SCREW
	05104542AA	1	2, 6		01, 02, 06				

SPRINTER (VA)

SERIES	LINE	BODY	ENGINE	TRANSMISSION
L = LOWLINE	3 = HD DODGE 2WD 8 = HD DODGE 4WD 6 = Lt. Duty DODGE 4WD 2 = Med. Duty DODGE 2WD 7 = Med. Duty DODGE 4WD 4 = TRUCK	12 = Van 140" 51 = Wagon 118" 52 = Wagon 140" 14 = Van 118" 15 = Van 140" 16 = Van 158" 54 = Wagon 118" 55 = Wagon 140" 56 = Wagon 158" 01 = Chassis Forward Control 118" 02 = Chassis Forward Control 140" 06 = Front Section 158" 11 = Van 118"	EX8 = Engine - 2.7L I5 Mercedes-Benz TD	DGJ = Transmission - 5-Spd Auto, MB

AR = use ase required - = Non illustrated part

Hood and Hood Release Figure SVA-510



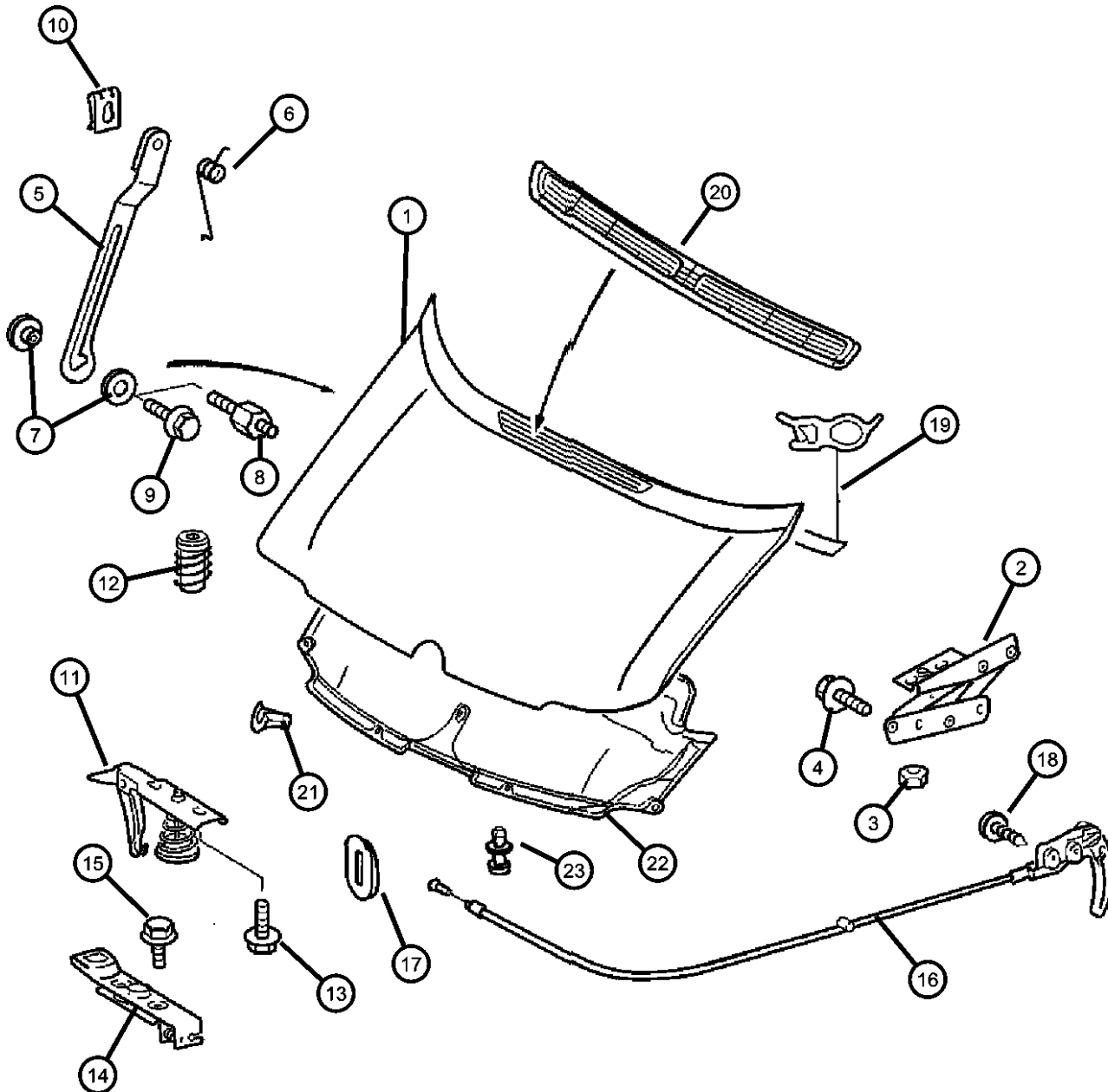
ITEM	PART NUMBER	QTY	LINE	SERIES	BODY	ENGINE	TRANS	TRIM	DESCRIPTION
		1	2, 6		11, 12, 14, 15, 16				
		1	2, 6		51, 52, 54, 55, 56				
		1	3, 7		02, 06				
		1	3, 7		12, 15, 16				
9									SCREW
	06104024AA	1	2, 6		11, 12, 14, 15, 16				
		1	2, 6		51, 52, 54, 55, 56				
		1	2, 6		01, 02, 06				
10									CLIP, Hood
	05126111AA	1	2, 6		01, 02, 06				
		1	2, 6		11, 12, 14, 15, 16				
		1	2, 6		51, 52, 54, 55, 56				
		1	3, 7		02, 06				
		1	3, 7		12, 15, 16				
11									STRIKER, Hood Latch
	05104401AA	1	2, 6		01, 02, 06				
		1	2, 6		11, 12, 14, 15, 16				
		1	2, 6		51, 52, 54, 55, 56				
12									BUMPER, Rubber
	05134041AA	2	3, 7		02, 06				
		2	3, 7		12, 15, 16				
		2	2, 6		01, 02, 06				
		2	2, 6		11, 12, 14, 15, 16				

SPRINTER (VA)

SERIES	LINE	BODY	ENGINE	TRANSMISSION
L = LOWLINE	3 = HD DODGE 2WD 8 = HD DODGE 4WD 6 = Lt. Duty DODGE 4WD 2 = Med. Duty DODGE 2WD 7 = Med. Duty DODGE 4WD 4 = TRUCK	12 = Van 140" 51 = Wagon 118" 52 = Wagon 140" 14 = Van 118" 15 = Van 140" 16 = Van 158" 54 = Wagon 118" 55 = Wagon 140" 56 = Wagon 158" 01 = Chassis Forward Control 118" 02 = Chassis Forward Control 140" 06 = Front Section 158" 11 = Van 118"	EX8 = Engine - 2.7L I5 Mercedes-Benz TD	DGJ = Transmission - 5-Spd Auto, MB

AR = use ase required - = Non illustrated part

Hood and Hood Release Figure SVA-510



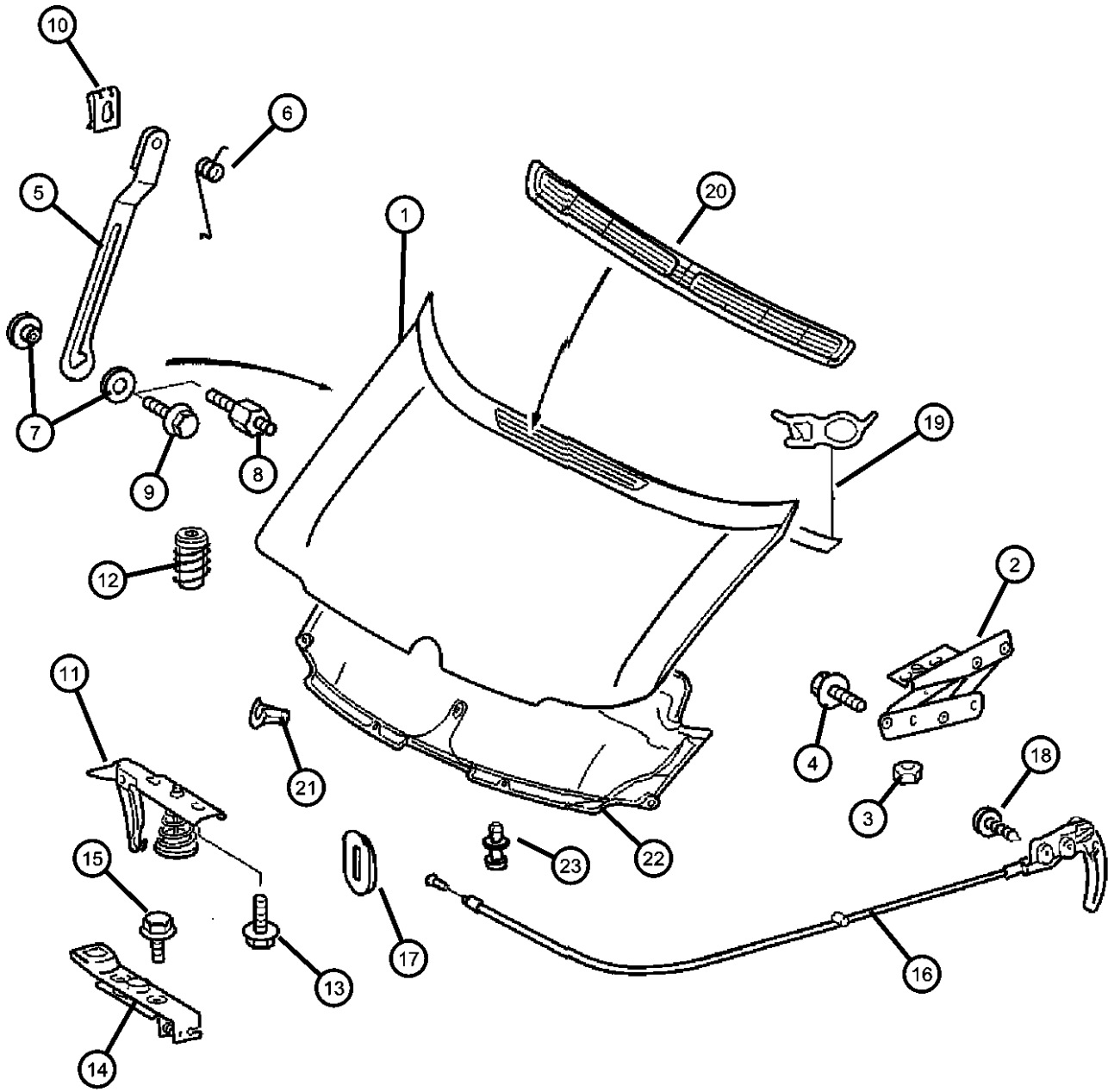
ITEM	PART NUMBER	QTY	LINE	SERIES	BODY	ENGINE	TRANS	TRIM	DESCRIPTION
		2	2, 6		51, 52, 54, 55, 56				
13	05073824AA	2	2, 3, 6, 7						SCREW
14	05104028AA	1	2, 6		11, 12, 14, 15, 16				LATCH, Hood
		1	2, 6		51, 52, 54, 55, 56				
		1	3, 7		02, 06				
		1	3, 7		12, 15, 16				
		1	2, 6		01, 02, 06				
15	05133476AA	2	2, 6		01, 02, 06				SCREW
		2	2, 6		11, 12, 14, 15, 16				
		2	2, 6		51, 52, 54, 55, 56				
		3	3, 7		02, 06				
		3	3, 7		12, 15, 16				
16	05104405AA	1	2, 6		01, 02, 06				CABLE, Hood Release
		1	2, 6		11, 12, 14, 15, 16				
		1	6, 2		51, 52, 54, 55, 56				
17	05133935AA	1	2, 6		01, 02, 06				GROMMET, Door Wiring
		1	2, 6		11, 12, 14, 15, 16				
		1	2, 6		51, 52, 54, 55, 56				
18		1	3, 7		12, 15, 16				SCREW

SPRINTER (VA)

SERIES	LINE	BODY	ENGINE	TRANSMISSION
L = LOWLINE	3 = HD DODGE 2WD 8 = HD DODGE 4WD 6 = Lt. Duty DODGE 4WD 2 = Med. Duty DODGE 2WD 7 = Med. Duty DODGE 4WD 4 = TRUCK	12 = Van 140" 51 = Wagon 118" 52 = Wagon 140" 14 = Van 118" 15 = Van 140" 16 = Van 158" 54 = Wagon 118" 55 = Wagon 140" 56 = Wagon 158" 01 = Chassis Forward Control 118" 02 = Chassis Forward Control 140" 06 = Front Section 158" 11 = Van 118"	EX8 = Engine - 2.7L I5 Mercedes-Benz TD	DGJ = Transmission - 5-Spd Auto, MB

AR = use ase required - = Non illustrated part

Hood and Hood Release Figure SVA-510



ITEM	PART NUMBER	QTY	LINE	SERIES	BODY	ENGINE	TRANS	TRIM	DESCRIPTION
	06104507AA	2	2, 6		01, 02, 06				
		2	2, 6		11, 12, 14, 15, 16				
		2	2, 6		51, 52, 54, 55, 56				
19	05134040AA	1	2, 6		01, 02, 06				SEAL, Hood
		1	2, 6		11, 12, 14, 15, 16				
		1	2, 6		51, 52, 54, 55, 56				
		1	3, 7		02, 06				
		1	3, 7		12, 15, 16				
20	05124653AA	1	2, 6		01, 02, 06				GRILLE, Hood
		1	2, 6		51, 52, 54, 55, 56				
		1	2, 6		11, 12, 14, 15, 16				
21	05103932AA	1	2, 6		11, 12, 14, 15, 16				GROMMET
		1	3, 7		12, 15, 16				
		1	2, 6		51, 52, 54, 55, 56				
22	05104486AA	1	2, 6		01, 02, 06				INSULATION, Hood
		1	2, 6		11, 12, 14, 15, 16				
		1	2, 6		51, 52, 54, 55, 56				
		1	3, 7		02, 06				
		1	3, 7		12, 15, 16				

SPRINTER (VA)

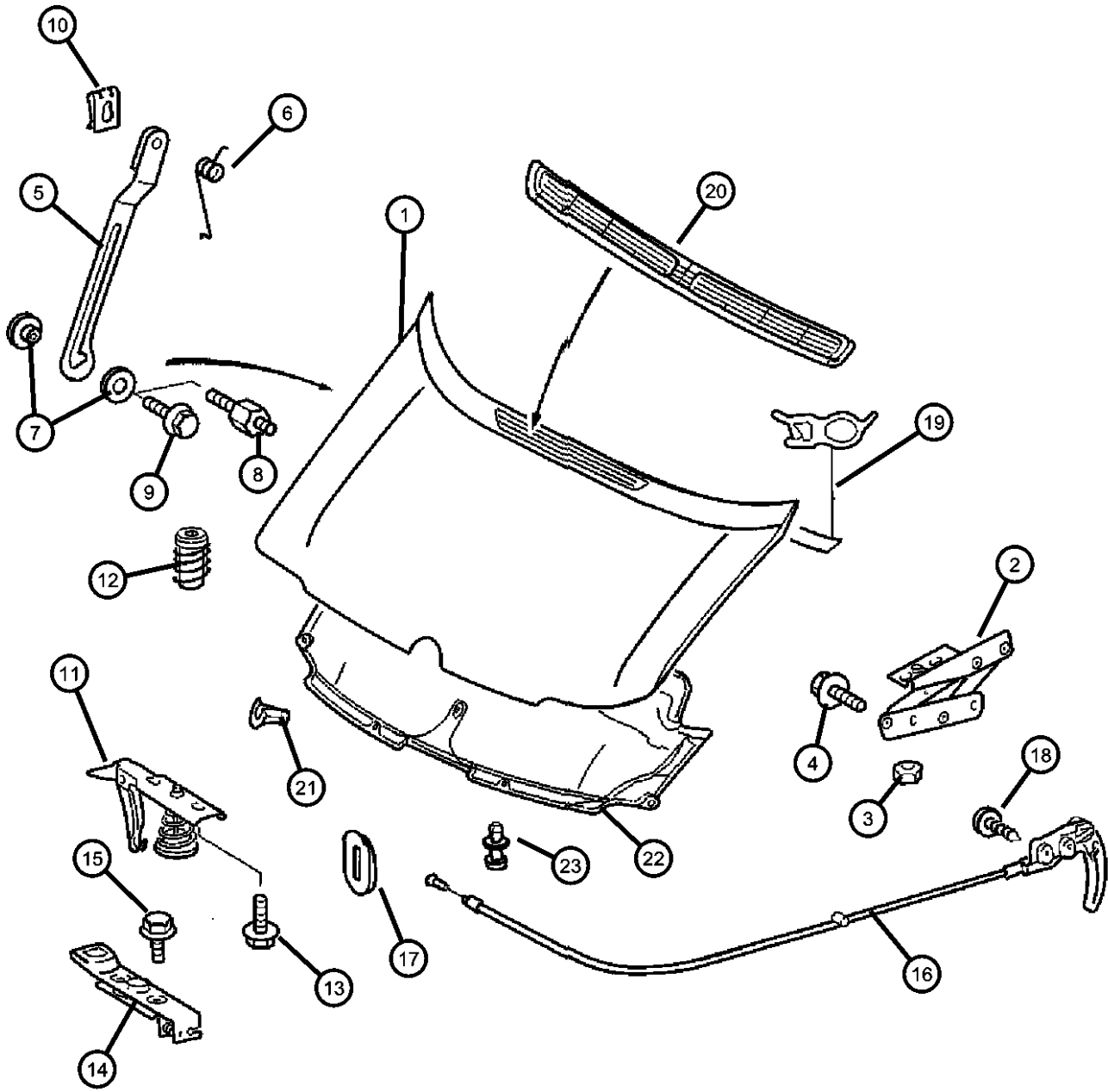
SERIES	LINE	BODY	ENGINE	TRANSMISSION
L = LOWLINE	3 = HD DODGE 2WD	12 = Van 140"	EX8 = Engine - 2.7L I5	DGJ = Transmission - 5-Spd Auto, MB
	8 = HD DODGE 4WD	51 = Wagon 118"	Mercedes-Benz TD	
	6 = Lt. Duty DODGE 4WD	52 = Wagon 140"		
	2 = Med. Duty DODGE 2WD	14 = Van 118"		
	7 = Med. Duty DODGE 4WD	15 = Van 140"		
	4 = TRUCK	16 = Van 158"		
		54 = Wagon 118"		
		55 = Wagon 140"		
		56 = Wagon 158"		
		01 = Chassis Forward Control 118"		
		02 = Chassis Forward Control 140"		
		06 = Front Section 158"		
		11 = Van 118"		

AR = use ase required - = Non illustrated part

Hood and Hood Release Figure SVA-510

ITEM	PART NUMBER	QTY	LINE	SERIES	BODY	ENGINE	TRANS	TRIM	DESCRIPTION
------	-------------	-----	------	--------	------	--------	-------	------	-------------

23									RIVET
	05103921AA	12	2, 6		01, 02, 06				
		12	2, 6		11, 12, 14, 15, 16				
		12	2, 6		51, 52, 54, 55, 56				
		12	3, 7		02, 06				
		12	3, 7		12, 15, 16				

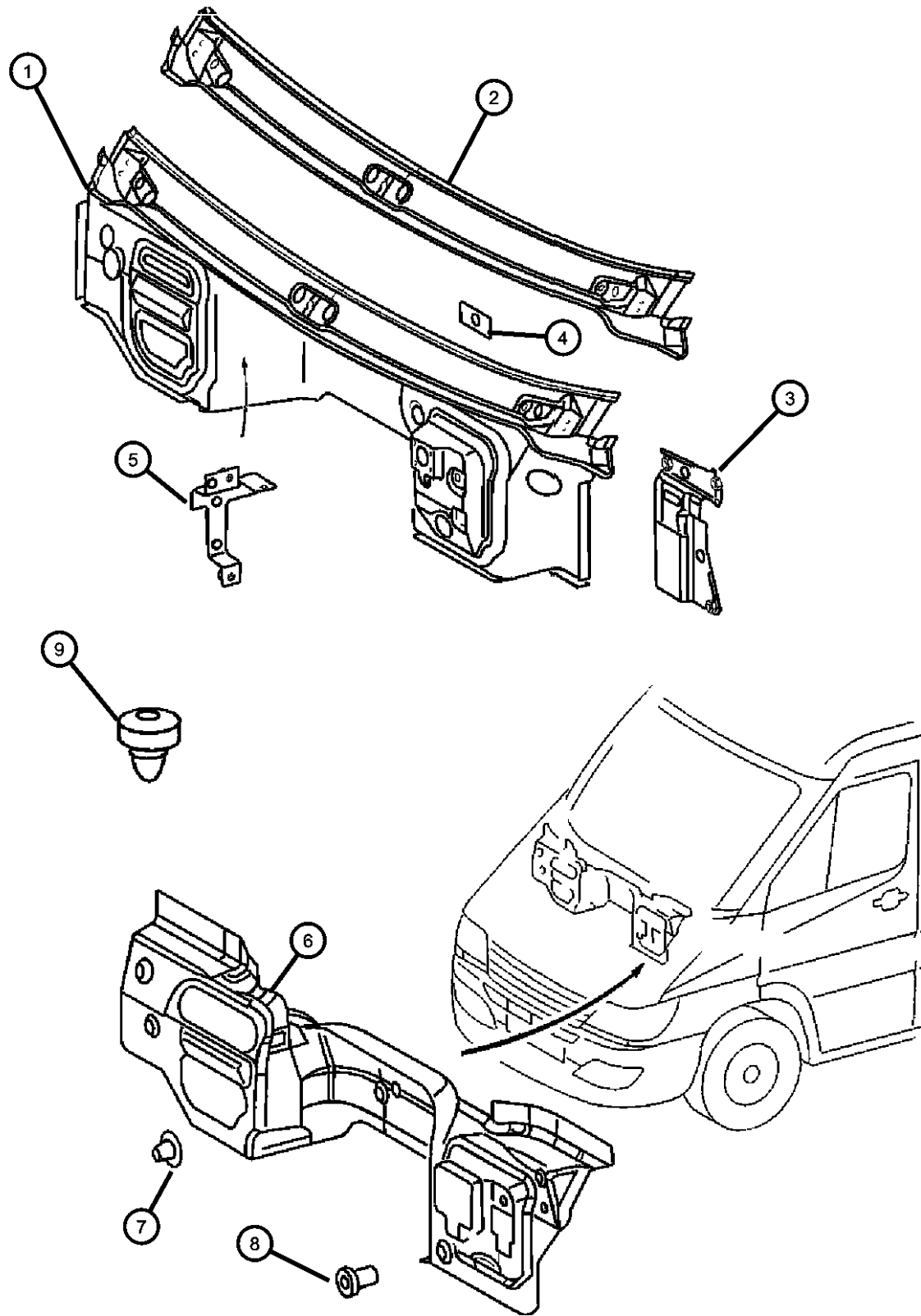


SPRINTER (VA)

SERIES	LINE	BODY	ENGINE	TRANSMISSION
L = LOWLINE	3 = HD DODGE 2WD 8 = HD DODGE 4WD 6 = Lt. Duty DODGE 4WD 2 = Med. Duty DODGE 2WD 7 = Med. Duty DODGE 4WD 4 = TRUCK	12 = Van 140" 51 = Wagon 118" 52 = Wagon 140" 14 = Van 118" 15 = Van 140" 16 = Van 158" 54 = Wagon 118" 55 = Wagon 140" 56 = Wagon 158"	EX8 = Engine - 2.7L I5 Mercedes-Benz TD	DGJ = Transmission - 5-Spd Auto, MB
		01 = Chassis Forward Control 118" 02 = Chassis Forward Control 140" 06 = Front Section 158" 11 = Van 118"		

AR = use ase required - = Non illustrated part

Cowl and Dash
Figure SVA-610



ITEM	PART NUMBER	QTY	LINE	SERIES	BODY	ENGINE	TRANS	TRIM	DESCRIPTION
1	05121578AA	1	2, 6		01, 02, 06				PANEL, Dash Upper
		1	2, 6		11, 12, 14, 15, 16				
		1	2, 6		51, 52, 54, 55, 56				
		1	3, 7		02, 06				
		1	3, 7		12, 15, 16				
2	05104164AA	1	2, 6		01, 02, 06				PANEL, Cowl Top
		1	2, 6		11, 12, 14, 15, 16				
		1	2, 6		51, 52, 54, 55, 56				
		1	3, 7		02, 06				
		1	3, 7		12, 15, 16				
3	05121583AA	1	2, 6		01, 02, 06				BRACKET, Dash
		1	2, 6		11, 12, 14, 15, 16				
		1	2, 6		51, 52, 54, 55, 56				
		1	3, 7		02, 06				
		1	3, 7		12, 15, 16				
4	05121447AA	1	2, 6		01, 02, 06				PLATE
		1	2, 6		11, 12, 14, 15, 16				
		1	2, 6		51, 52, 54, 55, 56				
		1	3, 7		02, 06				
		1	3, 7		12, 15, 16				
5									BRACKET

SPRINTER (VA)

SERIES

L = LOWLINE

LINE

3 = HD DODGE 2WD
8 = HD DODGE 4WD
6 = Lt. Duty DODGE 4WD
2 = Med. Duty DODGE 2WD
7 = Med. Duty DODGE 4WD
4 = TRUCK

BODY

12 = Van 140"
51 = Wagon 118"
52 = Wagon 140"
14 = Van 118"
15 = Van 140"
16 = Van 158"
54 = Wagon 118"
55 = Wagon 140"
56 = Wagon 158"
01 = Chassis Forward Control 118"
02 = Chassis Forward Control 140"
06 = Front Section 158"
11 = Van 118"

ENGINE

EX8 = Engine - 2.7L I5
Mercedes-Benz TD

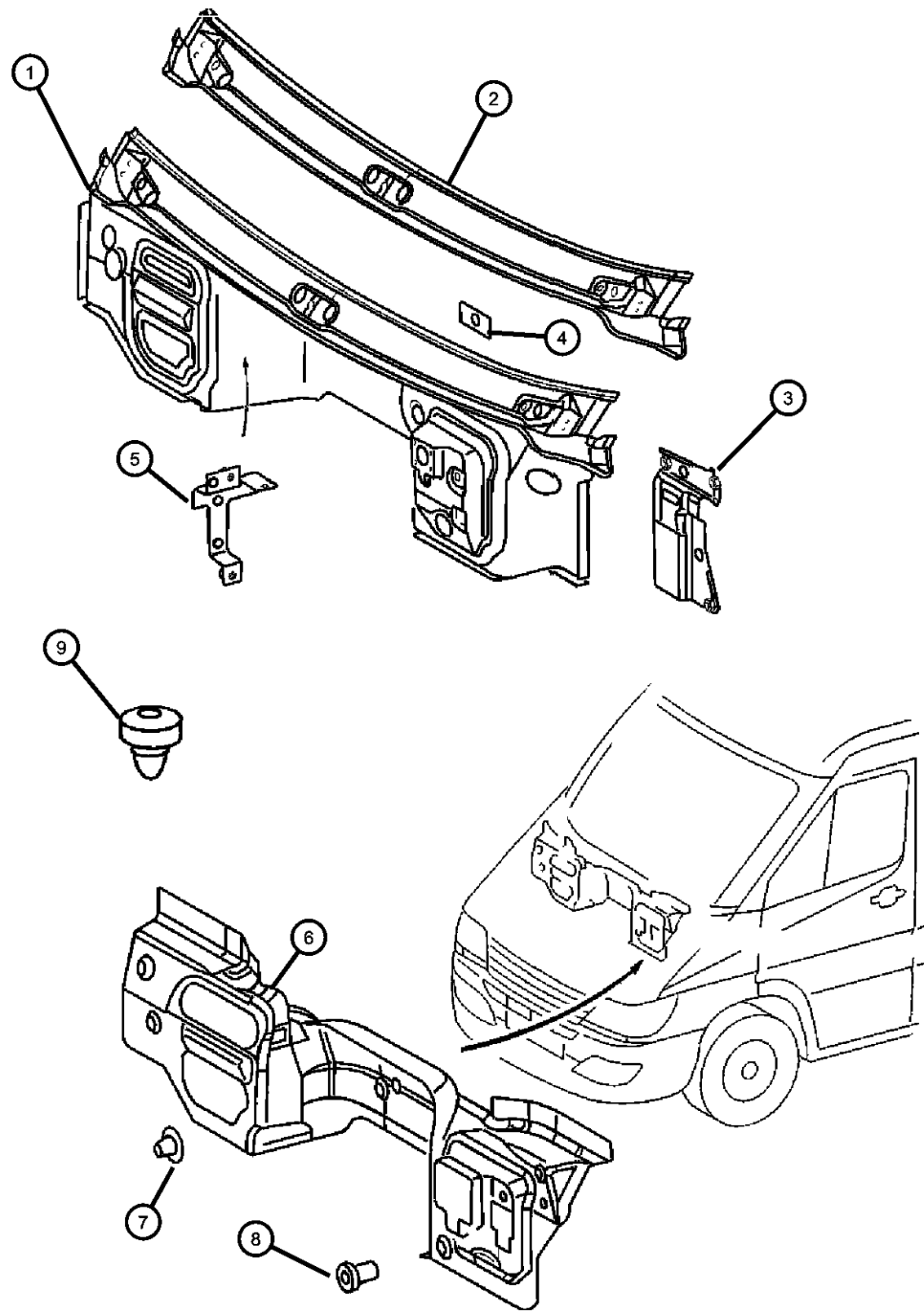
TRANSMISSION

DGJ = Transmission - 5-Spd Auto, MB

AR = use ase required - = Non illustrated part

2005 VA

**Cowl and Dash
Figure SVA-610**



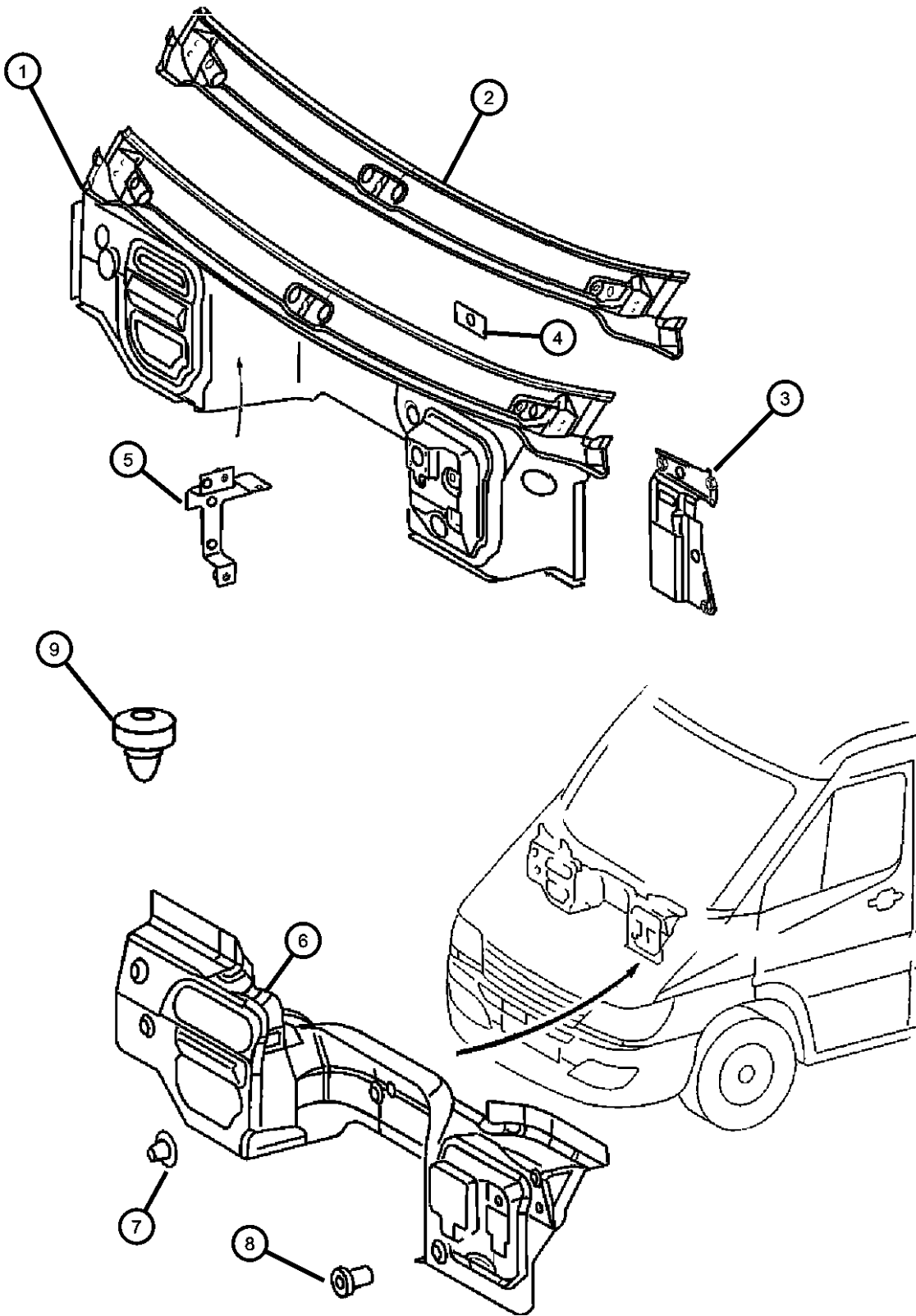
ITEM	PART NUMBER	QTY	LINE	SERIES	BODY	ENGINE	TRANS	TRIM	DESCRIPTION
6	05124627AA	1	2, 6		01, 02, 06				SILENCER, Dash Panel-Engine Compartment
		1	2, 6		11, 12, 14, 15, 16				
		1	2, 6		51, 52, 54, 55, 56				
		1	3, 7		02, 06				
		1	3, 7		12, 15, 16				
7	05122526AA	1	2, 6		01, 02, 06				PLUG, Button
		1	2, 6		11, 12, 14, 15, 16				
		1	2, 6		51, 52, 54, 55, 56				
		1	3, 7		02, 06				
		1	3, 7		12, 15, 16				
8	05097041AA	4	2, 6		01, 02, 06				PLUG, Button
		4	2, 6		11, 12, 14, 15, 16				
		4	2, 6		51, 52, 54, 55, 56				
		4	3, 7		02, 06				
		4	3, 7		12, 15, 16				
9	05125592AA	2	2, 6		01, 02, 06				BUMPER, Rubber
		2	2, 6		11, 12, 14, 15, 16				
		2	2, 6		51, 52, 54, 55, 56				
		2	3, 7		02, 06				
		2	3, 7		12, 15, 16				

SPRINTER (VA)

SERIES	LINE	BODY	ENGINE	TRANSMISSION
L = LOWLINE	3 = HD DODGE 2WD 8 = HD DODGE 4WD 6 = Lt. Duty DODGE 4WD 2 = Med. Duty DODGE 2WD 7 = Med. Duty DODGE 4WD 4 = TRUCK	12 = Van 140" 51 = Wagon 118" 52 = Wagon 140" 14 = Van 118" 15 = Van 140" 16 = Van 158" 54 = Wagon 118" 55 = Wagon 140" 56 = Wagon 158"	EX8 = Engine - 2.7L I5 Mercedes-Benz TD	DGJ = Transmission - 5-Spd Auto, MB
		01 = Chassis Forward Control 118"		
		02 = Chassis Forward Control 140"		
		06 = Front Section 158"		
		11 = Van 118"		

AR = use ase required - = Non illustrated part

Cowl and Dash
Figure SVA-610



ITEM	PART NUMBER	QTY	LINE	SERIES	BODY	ENGINE	TRANS	TRIM	DESCRIPTION
------	-------------	-----	------	--------	------	--------	-------	------	-------------

	05103724AA	2	2, 6		01, 02, 06				
		2	2, 6		11, 12, 14, 15, 16				
		2	2, 6		51, 52, 54, 55, 56				
		2	3, 7		02, 06				
		2	3, 7		12, 15, 16				

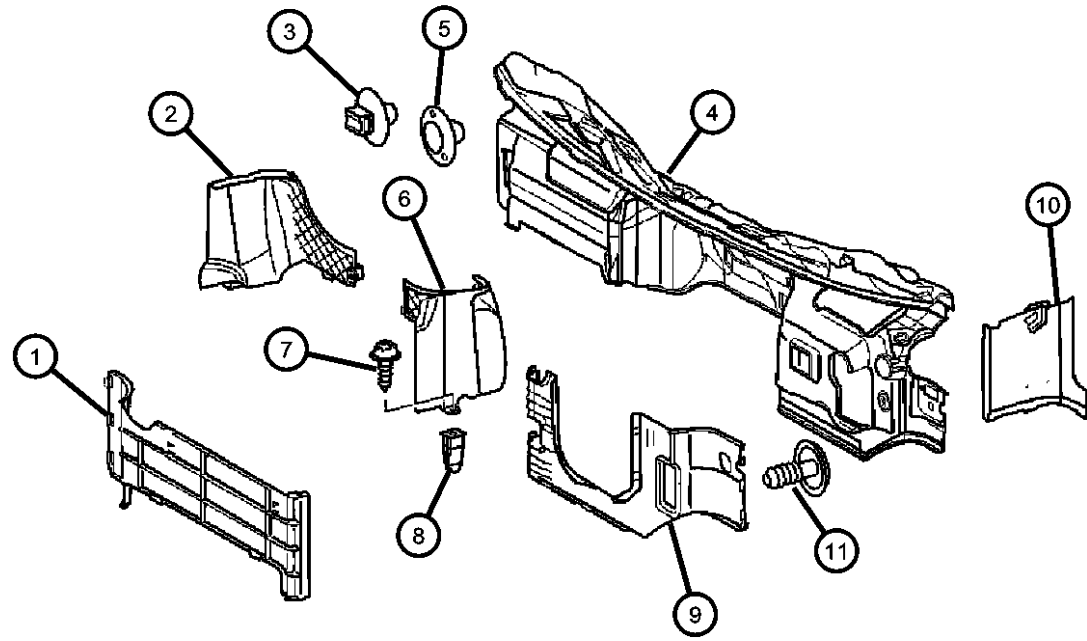
SPRINTER (VA)

SERIES	LINE	BODY	ENGINE	TRANSMISSION
L = LOWLINE	3 = HD DODGE 2WD	12 = Van 140"	EX8 = Engine - 2.7L I5	DGJ = Transmission - 5-Spd Auto, MB
	8 = HD DODGE 4WD	51 = Wagon 118"	Mercedes-Benz TD	
	6 = Lt. Duty DODGE 4WD	52 = Wagon 140"		
	2 = Med. Duty DODGE 2WD	14 = Van 118"		
	7 = Med. Duty DODGE 4WD	15 = Van 140"		
	4 = TRUCK	16 = Van 158"		
		54 = Wagon 118"		
		55 = Wagon 140"		
		56 = Wagon 158"		
		01 = Chassis Forward Control 118"		
		02 = Chassis Forward Control 140"		
		06 = Front Section 158"		
		11 = Van 118"		

AR = use ase required - = Non illustrated part

**Inner Paneling in Cab, Cowl
Figure SVA-620**

ITEM	PART NUMBER	QTY	LINE	SERIES	BODY	ENGINE	TRANS	TRIM	DESCRIPTION
1	05131688AA	1	2, 6		11, 12, 14, 15, 16				SILENCER, Dash And Cowl Sides
		1	2, 6		51, 52, 54, 55, 56				
		1	3, 7		12, 15, 16				
2	05122864AA	1	2, 6		01, 02, 06				PANEL, Bulkhead Support
		1	2, 6		11, 12, 14, 15, 16				
		1	2, 6		51, 52, 54, 55, 56				
		1	3, 7		02, 06				
		1	3, 7		12, 15, 16				
3	05125592AA	1	2, 6		01, 02, 06				PLUG, Button
		1	2, 6		11, 12, 14, 15, 16				
		1	2, 6		51, 52, 54, 55, 56				
		1	3, 7		02, 06				
		1	3, 7		12, 15, 16				
4	05122857AA	1	2, 6		01, 02, 06				PANEL, Cowl
		1	2, 6		11, 12, 14, 15, 16				
		1	2, 6		51, 52, 54, 55, 56				
		1	3, 7		02, 06				
		1	3, 7		12, 15, 16				
5	05097041AA	3	2, 6		01, 02, 06				PLUG, Button
		3	2, 6		11, 12, 14, 15, 16				



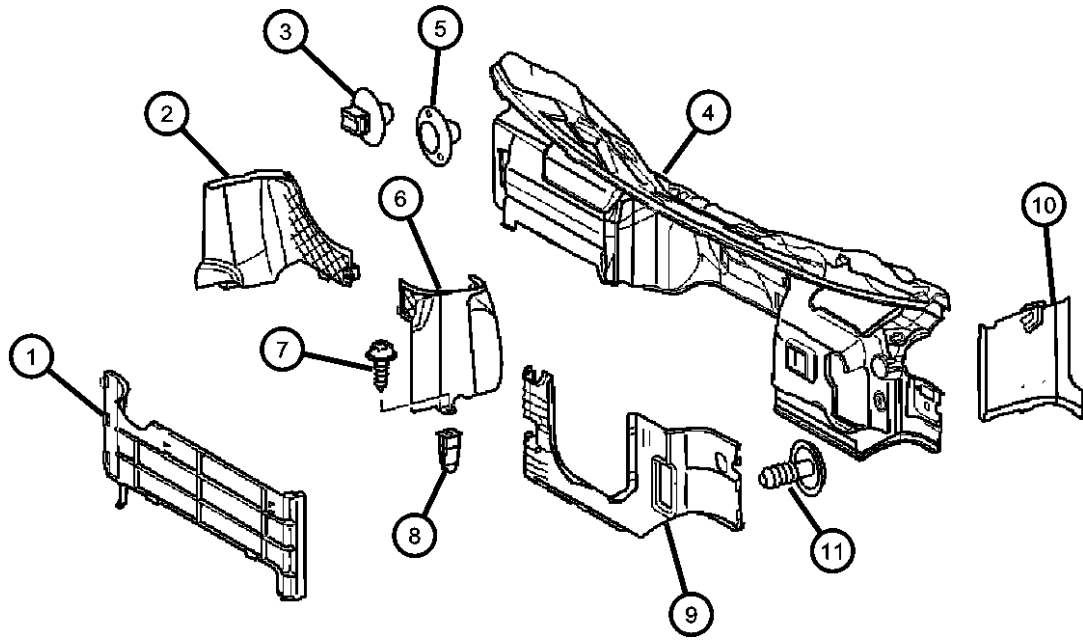
SPRINTER (VA)

SERIES	LINE	BODY	ENGINE	TRANSMISSION
L = LOWLINE	3 = HD DODGE 2WD 8 = HD DODGE 4WD 6 = Lt. Duty DODGE 4WD 2 = Med. Duty DODGE 2WD 7 = Med. Duty DODGE 4WD 4 = TRUCK	12 = Van 140" 51 = Wagon 118" 52 = Wagon 140" 14 = Van 118" 15 = Van 140" 16 = Van 158" 54 = Wagon 118" 55 = Wagon 140" 56 = Wagon 158"	EX8 = Engine - 2.7L I5 Mercedes-Benz TD	DGJ = Transmission - 5-Spd Auto, MB
		01 = Chassis Forward Control 118"		
		02 = Chassis Forward Control 140"		
		06 = Front Section 158"		
		11 = Van 118"		

AR = use ase required - = Non illustrated part

**Inner Paneling in Cab, Cowl
Figure SVA-620**

ITEM	PART NUMBER	QTY	LINE	SERIES	BODY	ENGINE	TRANS	TRIM	DESCRIPTION
6	05122862AA	3	2, 6		51, 52, 54, 55, 56				PANEL, Bulkhead Support
		3	3, 7		02, 06				
		3	3, 7		12, 15, 16				
		1	2, 6		01, 02, 06				
		1	2, 6		11, 12, 14, 15, 16				
7	06104574AA	1	2, 6		51, 52, 54, 55, 56				SCREW, Tapping
		1	3, 7		02, 06				
		1	3, 7		12, 15, 16				
		2	2, 6		01, 02, 06				
		2	2, 6		11, 12, 14, 15, 16				
8	05098837AA	2	2, 6		51, 52, 54, 55, 56				NUT, Plastic Snap-in
		2	3, 7		02, 06				
		2	3, 7		12, 15, 16				
		8	2, 6		01, 02, 06				
		8	2, 6		11, 12, 14, 15, 16				
9	05131685AA	8	2, 6		51, 52, 54, 55, 56				PANEL, Dash
		8	3, 7		02, 06				
		8	3, 7		12, 15, 16				
		1	2, 6		11, 12, 14, 15, 16				
		1	2, 6		51, 52, 54, 55, 56				



SPRINTER (VA)

SERIES

L = LOWLINE

LINE

3 = HD DODGE 2WD
8 = HD DODGE 4WD
6 = Lt. Duty DODGE 4WD
2 = Med. Duty DODGE 2WD
7 = Med. Duty DODGE 4WD
4 = TRUCK

BODY

12 = Van 140"
51 = Wagon 118"
52 = Wagon 140"
14 = Van 118"
15 = Van 140"
16 = Van 158"
54 = Wagon 118"
55 = Wagon 140"
56 = Wagon 158"
01 = Chassis Forward Control
118"
02 = Chassis Forward Control
140"
06 = Front Section 158"
11 = Van 118"

ENGINE

EX8 = Engine - 2.7L I5
Mercedes-Benz TD

TRANSMISSION

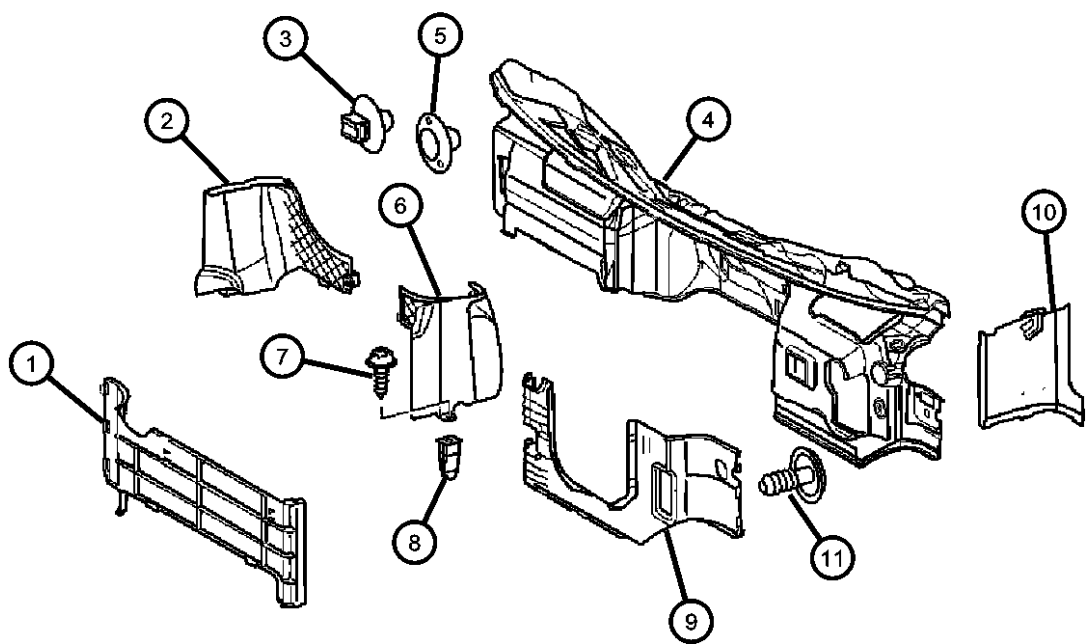
DGJ = Transmission - 5-Spd Auto, MB

AR = use ase required - = Non illustrated part

2005 VA

**Inner Paneling in Cab, Cowl
Figure SVA-620**

ITEM	PART NUMBER	QTY	LINE	SERIES	BODY	ENGINE	TRANS	TRIM	DESCRIPTION
		1	3, 7		12, 15, 16				
10									PANEL, Cowl Side
	05104266AA	1	2, 6		01, 02, 06				Right
		1	2, 6		11, 12, 14, 15, 16				Right
		1	2, 6		51, 52, 54, 55, 56				Right
		1	3, 7		02, 06				Right
		1	3, 7		12, 15, 16				Right
	05122865AA	1	2, 6		01, 02, 06				Left
		1	2, 6		11, 12, 14, 15, 16				Left
		1	2, 6		51, 52, 54, 55, 56				Left
		1	3, 7		02, 06				Left
		1	3, 7		12, 15, 16				Left
11									PLUG, Body
	1AS62DX9AA	2	2, 6		01, 02, 06				
		2	2, 6		11, 12, 14, 15, 16				
		2	2, 6		51, 52, 54, 55, 56				
		2	3, 7		02, 06				
		2	3, 7		12, 15, 16				



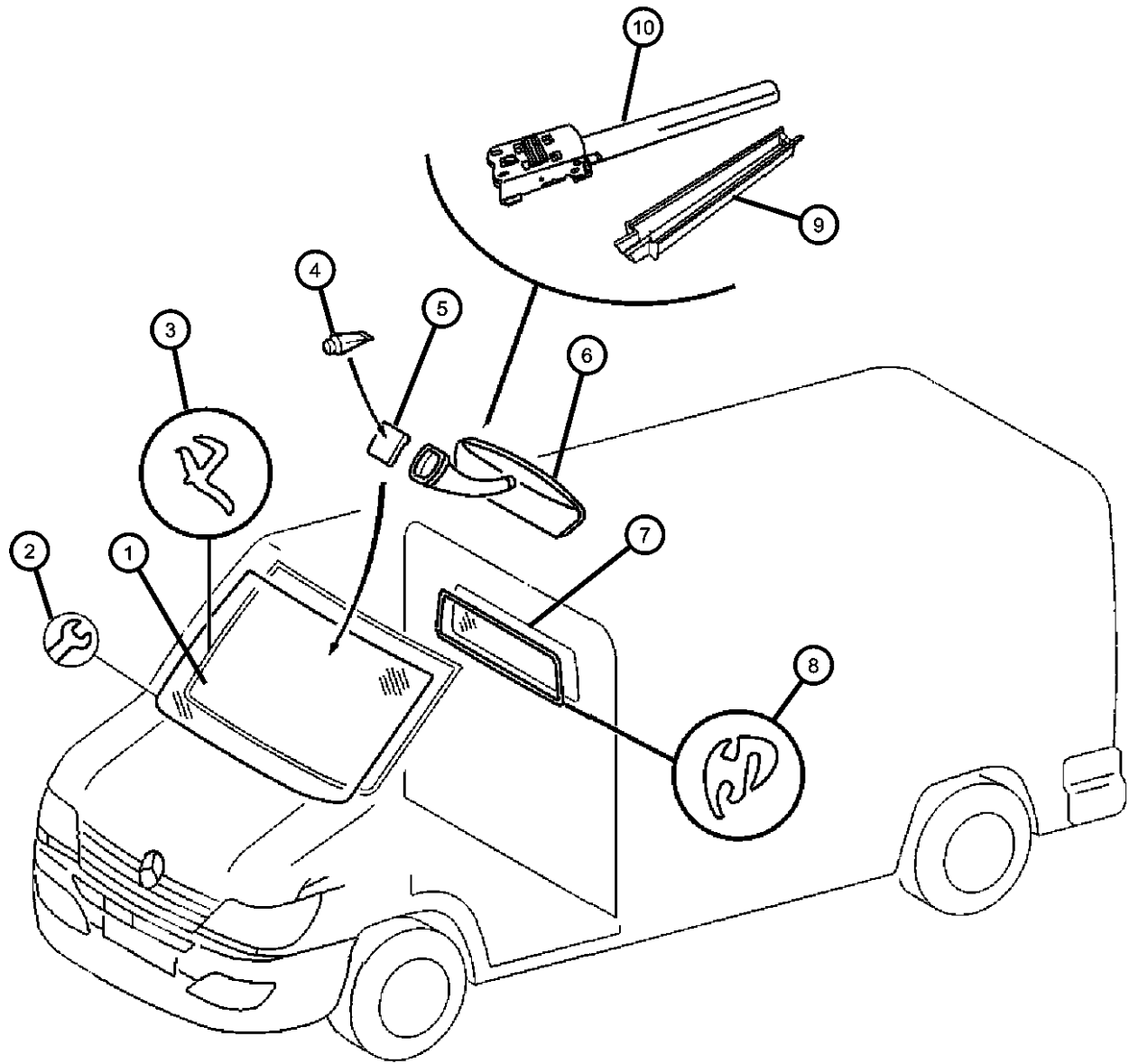
SPRINTER (VA)

SERIES	LINE	BODY	ENGINE	TRANSMISSION
L = LOWLINE	3 = HD DODGE 2WD 8 = HD DODGE 4WD 6 = Lt. Duty DODGE 4WD 2 = Med. Duty DODGE 2WD 7 = Med. Duty DODGE 4WD 4 = TRUCK	12 = Van 140" 51 = Wagon 118" 52 = Wagon 140" 14 = Van 118" 15 = Van 140" 16 = Van 158" 54 = Wagon 118" 55 = Wagon 140" 56 = Wagon 158" 01 = Chassis Forward Control 118" 02 = Chassis Forward Control 140" 06 = Front Section 158" 11 = Van 118"	EX8 = Engine - 2.7L I5 Mercedes-Benz TD	DGJ = Transmission - 5-Spd Auto, MB

AR = use ase required - = Non illustrated part

2005 VA

**Windshield, Backlite and Rear View Mirror
Figure SVA-710**



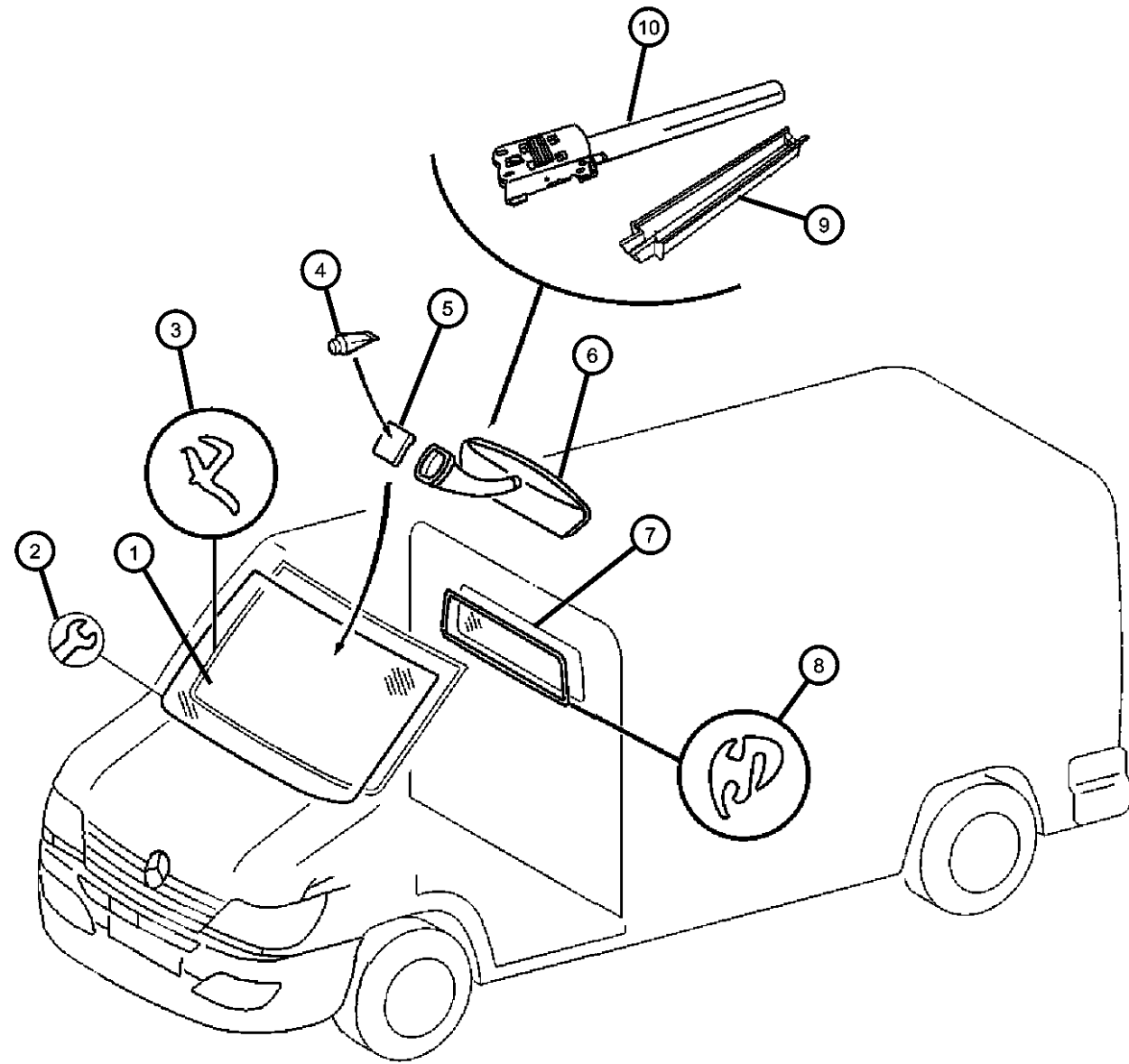
ITEM	PART NUMBER	QTY	LINE	SERIES	BODY	ENGINE	TRANS	TRIM	DESCRIPTION
1									WINDSHIELD
	05103585AA	1	2, 6		11, 12, 14, 15, 16				Solar, Without Shade Band
		1	2, 6		51, 52, 54, 55, 56				Solar, Without Shade Band
		1	3, 7		12, 15, 16				Solar, Without Shade Band
	05103586AA	1	2, 6		11, 12, 14, 15, 16				Solar, With Shade Band
		1	2, 6		51, 52, 54, 55, 56				Solar, With Shade Band
		1	3, 7		12, 15, 16				Solar, With Shade Band
	05122272AA	1	2, 6		11, 12, 14, 15, 16				Heated, With Rain Sensor
		1	2, 6		51, 52, 54, 55, 56				Heated, With Rain Sensor
		1	3, 7		12, 15, 16				Heated, With Rain Sensor
	05122274AA	1	2, 6		01, 02, 06				Heated, With Rain Sensor
		1	3, 7		02, 06				Heated, With Rain Sensor
	05122335AA	1	2, 6		01, 02, 06				Solar, With Shade Band
		1	3, 7		02, 06				Solar, With Shade Band
	05136429AA	1	2, 6		01, 02, 06				Solar, Without Shade Band
		1	3, 7		02, 06				Solar, Without Shade Band
2									REPAIR KIT, Windshield
	05104594AA	1	2, 6		01, 02, 06				
		1	2, 6		11, 12, 14, 15, 16				
		1	2, 6		51, 52, 54, 55, 56				
		1	3, 7		02, 06				
		1	3, 7		12, 15, 16				
3									WEATHERSTRIP
	05103584AA	1	2, 6		11, 12, 14, 15, 16				

SPRINTER (VA)

SERIES	LINE	BODY	ENGINE	TRANSMISSION
L = LOWLINE	3 = HD DODGE 2WD 8 = HD DODGE 4WD 6 = Lt. Duty DODGE 4WD 2 = Med. Duty DODGE 2WD 7 = Med. Duty DODGE 4WD 4 = TRUCK	12 = Van 140" 51 = Wagon 118" 52 = Wagon 140" 14 = Van 118" 15 = Van 140" 16 = Van 158" 54 = Wagon 118" 55 = Wagon 140" 56 = Wagon 158" 01 = Chassis Forward Control 118" 02 = Chassis Forward Control 140" 06 = Front Section 158" 11 = Van 118"	EX8 = Engine - 2.7L I5 Mercedes-Benz TD	DGJ = Transmission - 5-Spd Auto, MB

AR = use ase required - = Non illustrated part

**Windshield, Backlite and Rear View Mirror
Figure SVA-710**



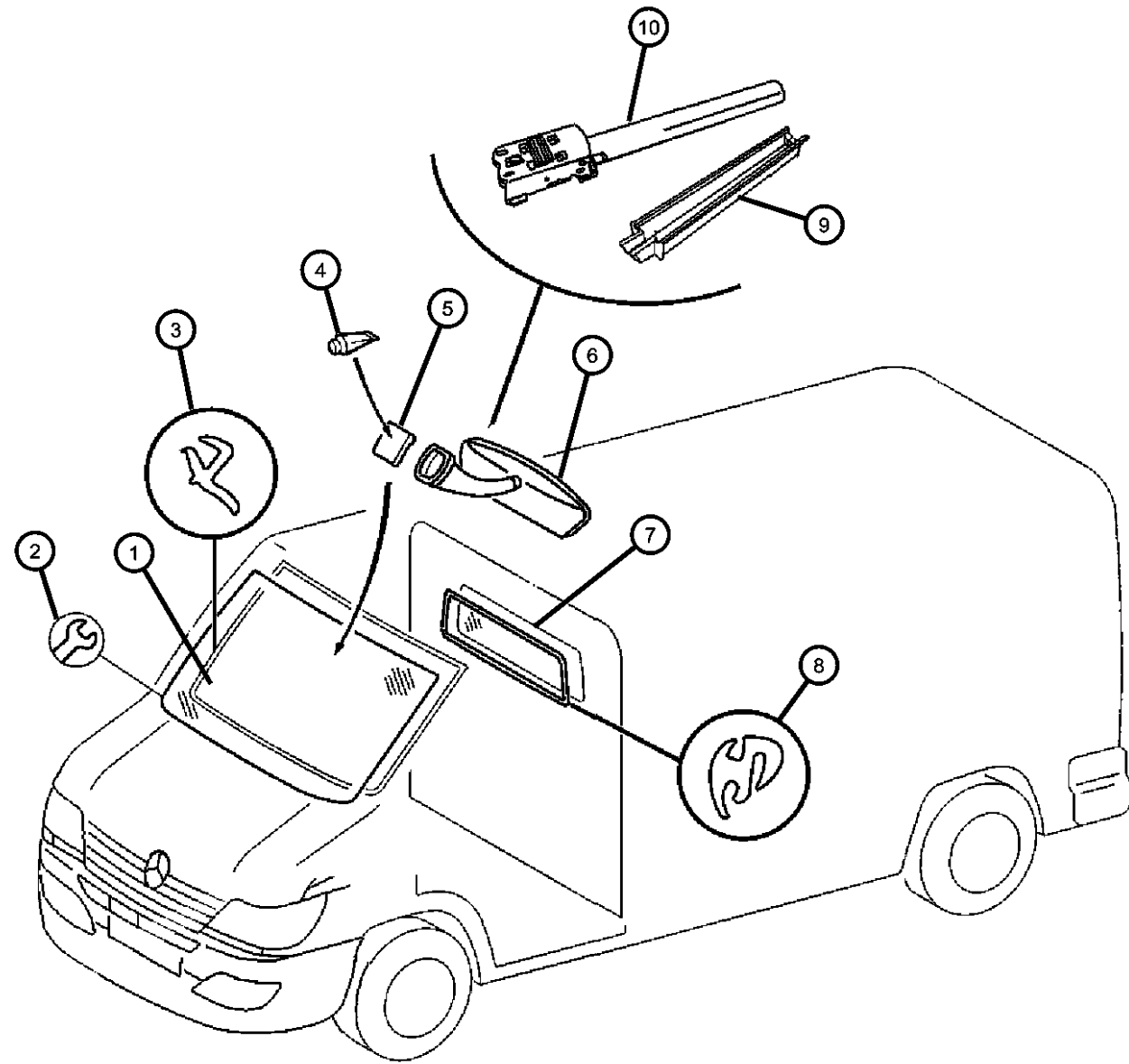
ITEM	PART NUMBER	QTY	LINE	SERIES	BODY	ENGINE	TRANS	TRIM	DESCRIPTION
		1	2, 6		51, 52, 54, 55, 56				
		1	3, 7		12, 15, 16				
	05122341AA	1	2, 6		01, 02, 06				
		1	3, 7		02, 06				
4	05073862AA	2	2, 3, 6, 7						ADHESIVE
5									BUTTON, Rear View Mirror
	05104241AA	1	2, 6		01, 02, 06				
		1	2, 6		11, 12, 14, 15, 16				
		1	2, 6		51, 52, 54, 55, 56				
		1	3, 7		02, 06				
		1	3, 7		12, 15, 16				
6									MIRROR, Inside Rear View
	05104435AA	1	2, 6		01, 02, 06				
		1	2, 6		11, 12, 14, 15, 16				
		1	2, 6		51, 52, 54, 55, 56				
		1	3, 7		02, 06				
		1	3, 7		12, 15, 16				
	05127266AA	1	2, 6		01, 02, 06				With Rain Sensor [GBF]
		1	2, 6		11, 12, 14, 15, 16				With Rain Sensor [GBF]
		1	2, 6		51, 52, 54, 55, 56				With Rain Sensor [GBF]
		1	3, 7		02, 06				With Rain Sensor [GBF]
		1	3, 7		12, 15, 16				With Rain Sensor [GBF]
7									GLASS, Backlite, Fixed
	05104249AA	1	2, 6		01, 02, 06				

SPRINTER (VA)

SERIES	LINE	BODY	ENGINE	TRANSMISSION
L = LOWLINE	3 = HD DODGE 2WD 8 = HD DODGE 4WD 6 = Lt. Duty DODGE 4WD 2 = Med. Duty DODGE 2WD 7 = Med. Duty DODGE 4WD 4 = TRUCK	12 = Van 140" 51 = Wagon 118" 52 = Wagon 140" 14 = Van 118" 15 = Van 140" 16 = Van 158" 54 = Wagon 118" 55 = Wagon 140" 56 = Wagon 158" 01 = Chassis Forward Control 118" 02 = Chassis Forward Control 140" 06 = Front Section 158" 11 = Van 118"	EX8 = Engine - 2.7L I5 Mercedes-Benz TD	DGJ = Transmission - 5-Spd Auto, MB

AR = use ase required - = Non illustrated part

**Windshield, Backlite and Rear View Mirror
Figure SVA-710**



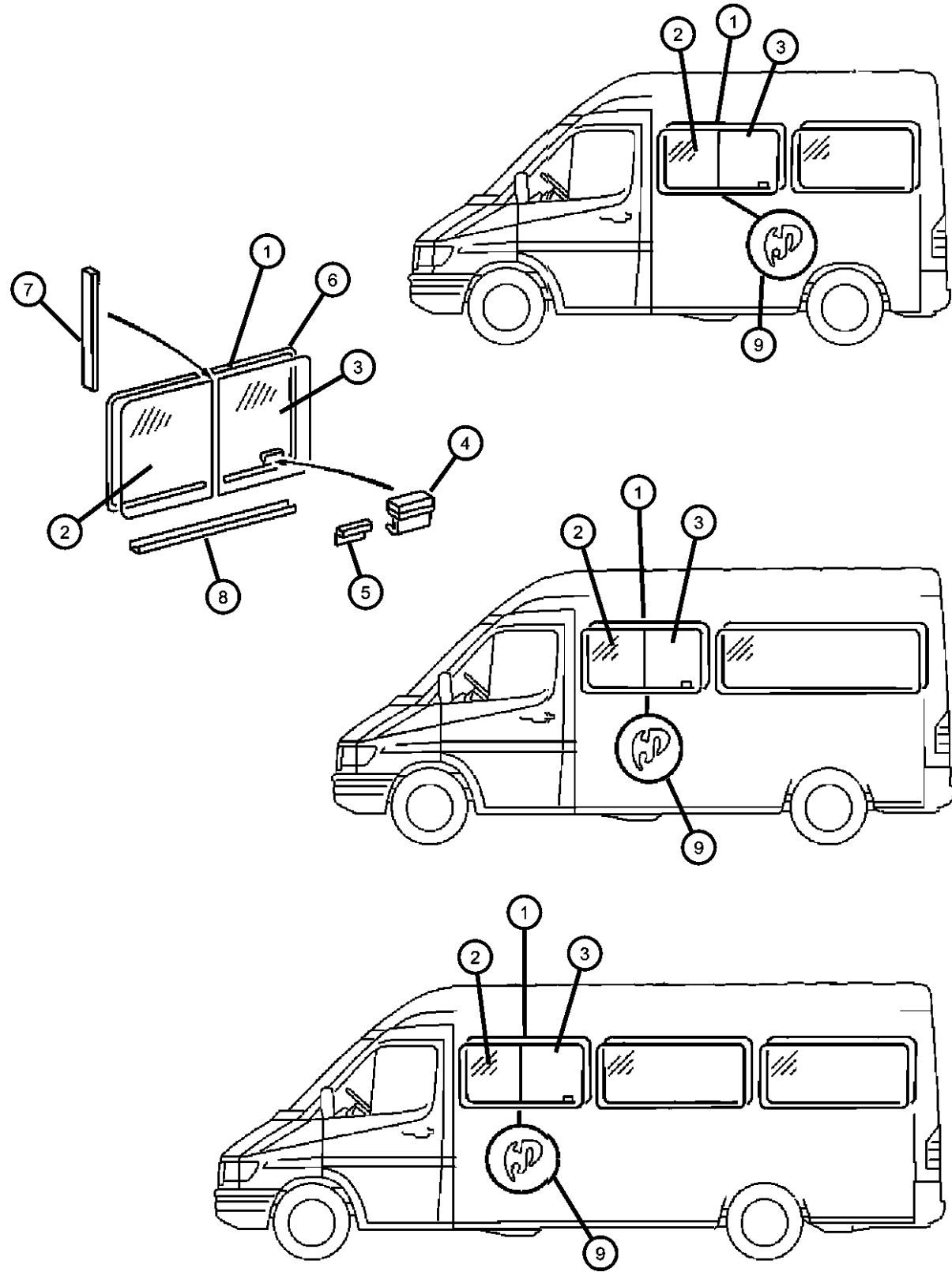
ITEM	PART NUMBER	QTY	LINE	SERIES	BODY	ENGINE	TRANS	TRIM	DESCRIPTION
8	05104250AA	1	2, 6		11, 12, 14, 15, 16				WEATHERSTRIP, Fixed
		1	3, 7		02, 06				
		1	3, 7		12, 15, 16				
9	05127268AA	1	2, 6		01, 02, 06				COVER, Rear View Mirror Wire, Outer
		1	2, 6		11, 12, 14, 15, 16				
		1	2, 6		51, 52, 54, 55, 56				
10	05127267AA	1	3, 7		02, 06				COVER, Rear View Mirror Wire, Inner
		1	3, 7		12, 15, 16				
		1	2, 6		01, 02, 06				
		1	2, 6		11, 12, 14, 15, 16				
		1	2, 6		51, 52, 54, 55, 56				
		1	3, 7		02, 06				
		1	3, 7		12, 15, 16				
		1	3, 7		12, 15, 16				
		1	3, 7		12, 15, 16				

SPRINTER (VA)

SERIES	LINE	BODY	ENGINE	TRANSMISSION
L = LOWLINE	3 = HD DODGE 2WD	12 = Van 140"	EX8 = Engine - 2.7L I5	DGJ = Transmission - 5-Spd Auto, MB
	8 = HD DODGE 4WD	51 = Wagon 118"	Mercedes-Benz TD	
	6 = Lt. Duty DODGE 4WD	52 = Wagon 140"		
	2 = Med. Duty DODGE 2WD	14 = Van 118"		
	7 = Med. Duty DODGE 4WD	15 = Van 140"		
	4 = TRUCK	16 = Van 158"		
		54 = Wagon 118"		
		55 = Wagon 140"		
		56 = Wagon 158"		
		01 = Chassis Forward Control 118"		
		02 = Chassis Forward Control 140"		
		06 = Front Section 158"		
		11 = Van 118"		

AR = use ase required - = Non illustrated part

**Front Right Side Sliding Glass
Figure SVA-720**



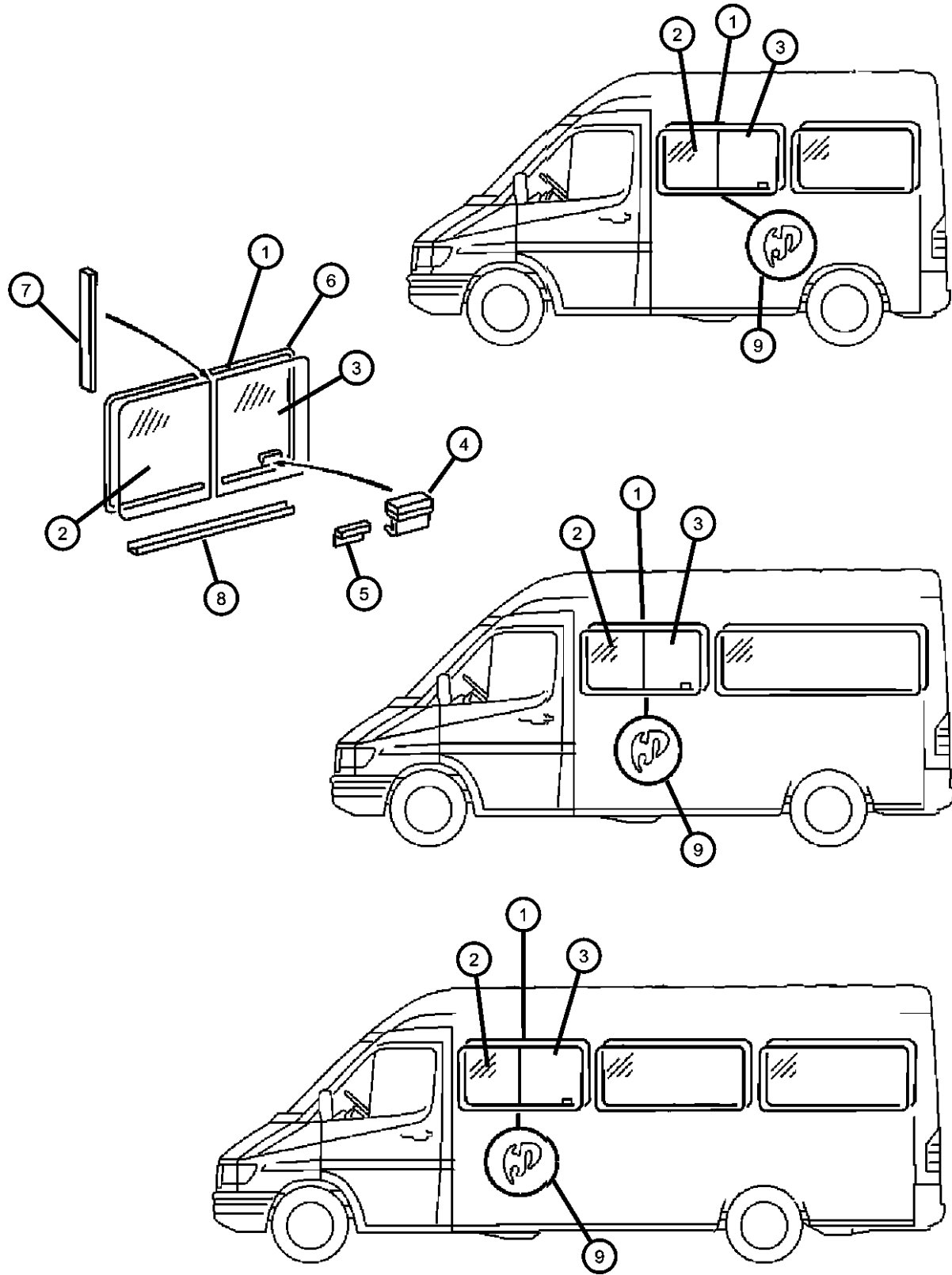
ITEM	PART NUMBER	QTY	LINE	SERIES	BODY	ENGINE	TRANS	TRIM	DESCRIPTION
1	05122302AA	1	2, 6		11, 12, 14, 15, 16				GLASS, Bodyside Window Privacy
		1	2, 6		51, 52, 54, 55, 56				Privacy
		1	3, 7		12, 15, 16				Privacy
2	05134043AA	1	2, 6		11, 12, 14, 15, 16				GLASS, Bodyside Window, Fixed Privacy
		1	2, 6		51, 52, 54, 55, 56				Privacy
		1	3, 7		12, 15, 16				Privacy
3	05134003AA	1	2, 6		11, 12, 14, 15, 16				GLASS, Sliding Door, Vented Privacy
		1	2, 6		51, 52, 54, 55, 56				Privacy
		1	3, 7		12, 15, 16				Privacy
4	05134004AA	1	2, 6		11, 12, 14, 15, 16				HANDLE, Vent Window
		1	2, 6		51, 52, 54, 55, 56				
		1	3, 7		12, 15, 16				
5	05133535AA	1	2, 6		11, 12, 14, 15, 16				RETAINER, Side Panel Vent Window
		1	2, 6		51, 52, 54, 55, 56				
		1	3, 7		12, 15, 16				
6	05134055AA	2	2, 6		11, 12, 14, 15, 16				WEATHERSTRIP, Side Panel Vent
		2	2, 6		51, 52, 54, 55, 56				

SPRINTER (VA)

SERIES	LINE	BODY	ENGINE	TRANSMISSION
L = LOWLINE	3 = HD DODGE 2WD 8 = HD DODGE 4WD 6 = Lt. Duty DODGE 4WD 2 = Med. Duty DODGE 2WD 7 = Med. Duty DODGE 4WD 4 = TRUCK	12 = Van 140" 51 = Wagon 118" 52 = Wagon 140" 14 = Van 118" 15 = Van 140" 16 = Van 158" 54 = Wagon 118" 55 = Wagon 140" 56 = Wagon 158" 01 = Chassis Forward Control 118" 02 = Chassis Forward Control 140" 06 = Front Section 158" 11 = Van 118"	EX8 = Engine - 2.7L I5 Mercedes-Benz TD	DGJ = Transmission - 5-Spd Auto, MB

AR = use ase required - = Non illustrated part

**Front Right Side Sliding Glass
Figure SVA-720**



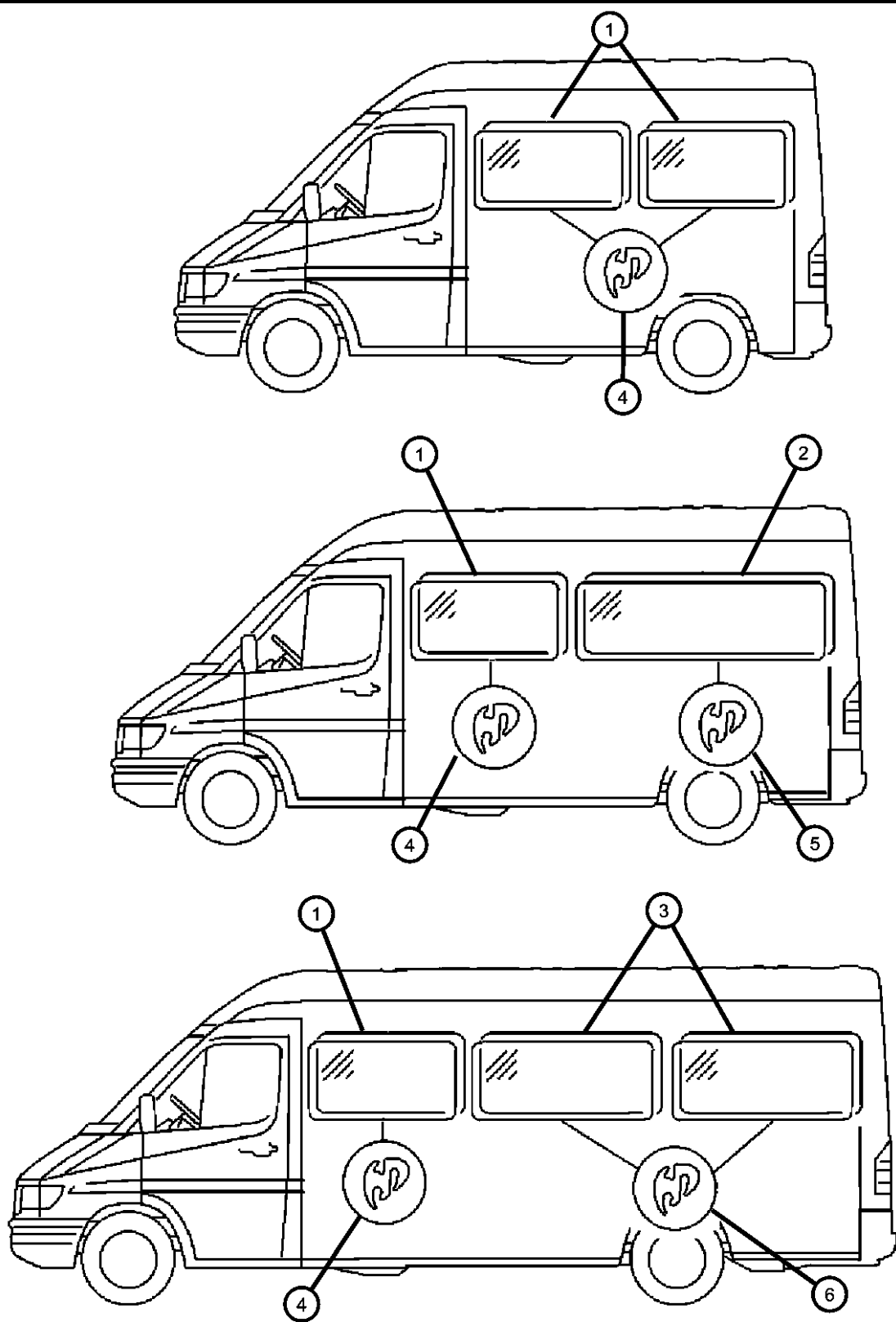
ITEM	PART NUMBER	QTY	LINE	SERIES	BODY	ENGINE	TRANS	TRIM	DESCRIPTION
7		2	3, 7		12, 15, 16				WEATHERSTRIP, Side Panel Vent
	05133536AA	1	2, 6		11, 12, 14, 15, 16				
		1	2, 6		51, 52, 54, 55, 56				
8		1	3, 7		12, 15, 16				WEATHERSTRIP, Glass
	05134059AA	2	2, 6		11, 12, 14, 15, 16				
		2	2, 6		51, 52, 54, 55, 56				
		2	3, 7		12, 15, 16				
9		1	2, 6		11, 12, 14, 15, 16				SEAL, Window Opening
	05104246AA	1	2, 6		51, 52, 54, 55, 56				
		1	3, 7		12, 15, 16				

SPRINTER (VA)

SERIES	LINE	BODY	ENGINE	TRANSMISSION
L = LOWLINE	3 = HD DODGE 2WD 8 = HD DODGE 4WD 6 = Lt. Duty DODGE 4WD 2 = Med. Duty DODGE 2WD 7 = Med. Duty DODGE 4WD 4 = TRUCK	12 = Van 140" 51 = Wagon 118" 52 = Wagon 140" 14 = Van 118" 15 = Van 140" 16 = Van 158" 54 = Wagon 118" 55 = Wagon 140" 56 = Wagon 158" 01 = Chassis Forward Control 118" 02 = Chassis Forward Control 140" 06 = Front Section 158" 11 = Van 118"	EX8 = Engine - 2.7L I5 Mercedes-Benz TD	DGJ = Transmission - 5-Spd Auto, MB

AR = use ase required - = Non illustrated part

Side Glass, Fixed
Figure SVA-730



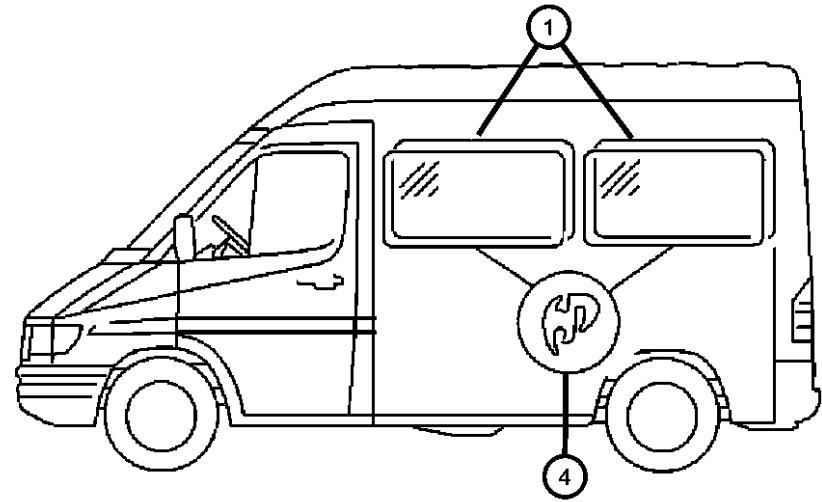
ITEM	PART NUMBER	QTY	LINE	SERIES	BODY	ENGINE	TRANS	TRIM	DESCRIPTION
1	05104245AA	1	2, 6		11, 12, 14, 15, 16				GLASS, Bodyside Window Privacy
		1	2, 6		51, 52, 54, 55, 56				Privacy
		1	3, 7		12, 15, 16				Privacy
2	05122350AA	1	2, 6		12, 15				GLASS, Bodyside Window Tint
		1	2, 6		52, 55				Tint
		1	3, 7		12, 15				Tint
3	05104247AA	1	2, 6		51, 52, 54, 55, 56				GLASS, Bodyside Window Tint
		1	3, 7		12, 15, 16				Tint
		1	2, 6		11, 12, 14, 15, 16				Tint
4	05134334AA	1	2, 6		11, 12, 14, 15, 16				Privacy
		1	2, 6		51, 52, 54, 55, 56				Privacy
		1	3, 7		12, 15, 16				Privacy
5	05104248AA	1	2, 6		12, 15				SEAL, Window Opening
		1	2, 6		52, 55				
		1	3, 7						

SPRINTER (VA)
SERIES **LINE** **BODY** **ENGINE** **TRANSMISSION**
L = LOWLINE 3 = HD DODGE 2WD 12 = Van 140" EX8 = Engine - 2.7L I5 DGJ = Transmission - 5-Spd Auto, MB
 8 = HD DODGE 4WD 51 = Wagon 118" Mercedes-Benz TD
 6 = Lt. Duty DODGE 4WD 52 = Wagon 140"
 2 = Med. Duty DODGE 2WD 14 = Van 118"
 7 = Med. Duty DODGE 4WD 15 = Van 140"
 4 = TRUCK 16 = Van 158"
 54 = Wagon 118"
 55 = Wagon 140"
 56 = Wagon 158"
 01 = Chassis Forward Control
 118"
 02 = Chassis Forward Control
 140"
 06 = Front Section 158"
 11 = Van 118"

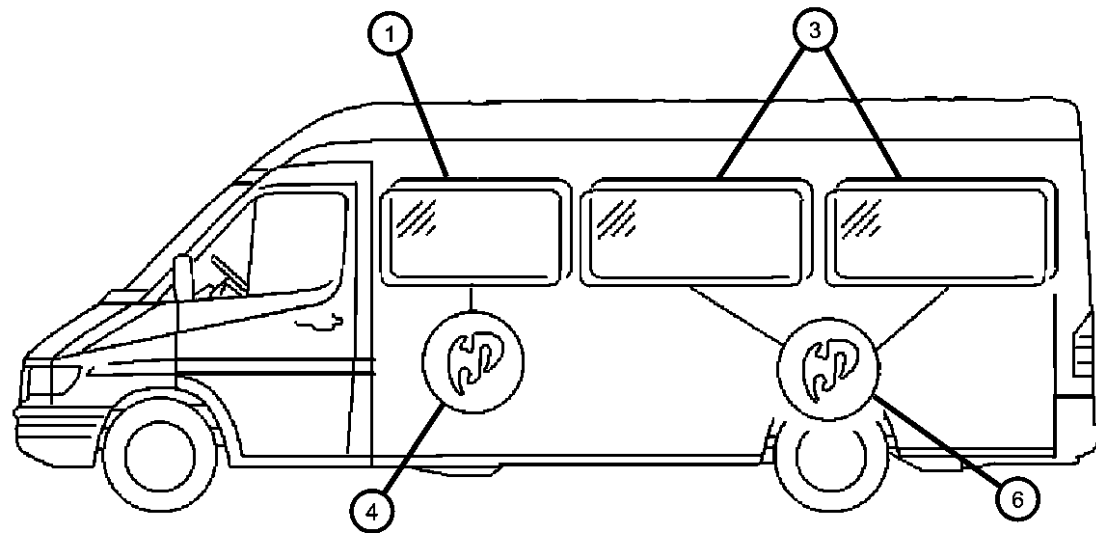
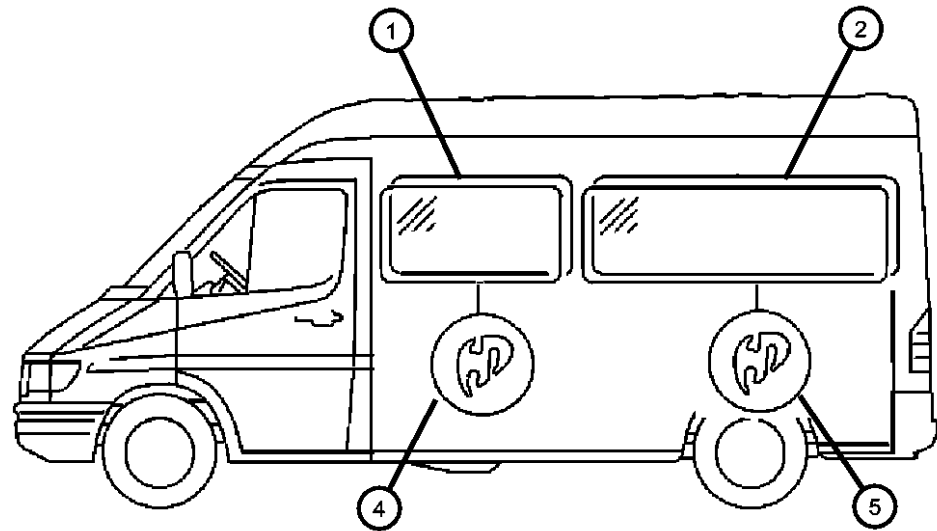
AR = use ase required - = Non illustrated part

Side Glass, Fixed
Figure SVA-730

ITEM	PART NUMBER	QTY	LINE	SERIES	BODY	ENGINE	TRANS	TRIM	DESCRIPTION
------	-------------	-----	------	--------	------	--------	-------	------	-------------



6		1	3, 7		12, 15				SEAL, Window Opening
	05122354AA	1	3, 7		12, 15, 16				
		1	2, 6		11, 12, 14, 15, 16				
		1	2, 6		51, 52, 54, 55, 56				



SPRINTER (VA)

SERIES

L = LOWLINE

LINE

3 = HD DODGE 2WD
8 = HD DODGE 4WD
6 = Lt. Duty DODGE 4WD
2 = Med. Duty DODGE 2WD
7 = Med. Duty DODGE 4WD
4 = TRUCK

BODY

12 = Van 140"
51 = Wagon 118"
52 = Wagon 140"
14 = Van 118"
15 = Van 140"
16 = Van 158"
54 = Wagon 118"
55 = Wagon 140"
56 = Wagon 158"
01 = Chassis Forward Control 118"
02 = Chassis Forward Control 140"
06 = Front Section 158"
11 = Van 118"

ENGINE

EX8 = Engine - 2.7L I5
Mercedes-Benz TD

TRANSMISSION

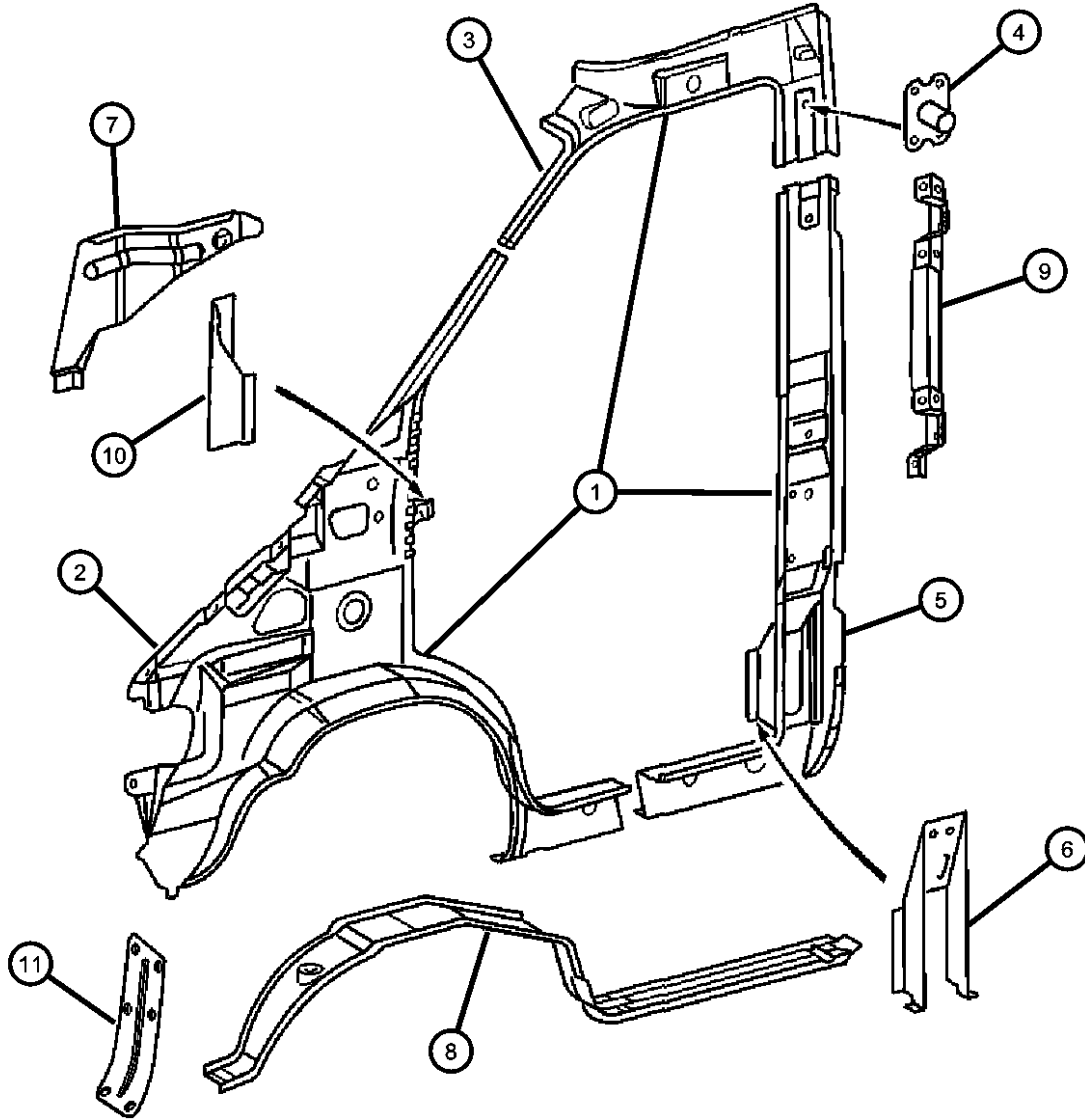
DGJ = Transmission - 5-Spd Auto, MB

AR = use ase required - = Non illustrated part

2005 VA

Front Aperture, Inner, Left
Figure SVA-810

ITEM	PART NUMBER	QTY	LINE	SERIES	BODY	ENGINE	TRANS	TRIM	DESCRIPTION	
1	05121784AA	1	2, 6		11, 12, 14, 15, 16				APERTURE, Body Side Door Without Left Sliding Door	
		1	2, 6		51, 52, 54, 55, 56				Without Left Sliding Door	
	05121786AA	1	3, 7		12, 15, 16				Without Left Sliding Door	
		1	2, 6		11, 12, 14, 15, 16				With Left Sliding Door	
			1	2, 6		51, 52, 54, 55, 56				With Left Sliding Door
			1	3, 7		12, 15, 16				With Left Sliding Door
	2	05104184AA	1	2, 6		01, 02, 06				PANEL, Body Side Aperture
1			2, 6		11, 12, 14, 15, 16					
1			2, 6		51, 52, 54, 55, 56					
1			3, 7		02, 06					
1			3, 7		12, 15, 16					
3	05121647AA	1	2, 6		11, 12, 14, 15, 16				PANEL, Body Side Aperture Without Left Sliding Door	
		1	2, 6		51, 52, 54, 55, 56				Without Left Sliding Door	
	05121649AA	1	3, 7		12, 15, 16				Without Left Sliding Door	
		1	2, 6		01, 02, 06				With Left Sliding Door	
			1	2, 6		11, 12, 14, 15, 16				With Left Sliding Door
			1	2, 6		51, 52, 54, 55, 56				With Left Sliding Door
4	05125412AA	1	3, 7		12, 15, 16				With Left Sliding Door	
		1	3, 7		12, 15, 16				TAPPING PLATE, Side Panel	



SPRINTER (VA)

SERIES

L = LOWLINE
 3 = HD DODGE 2WD
 8 = HD DODGE 4WD
 6 = Lt. Duty DODGE 4WD
 2 = Med. Duty DODGE 2WD
 7 = Med. Duty DODGE 4WD
 4 = TRUCK

LINE

BODY

12 = Van 140"
 51 = Wagon 118"
 52 = Wagon 140"
 14 = Van 118"
 15 = Van 140"
 16 = Van 158"
 54 = Wagon 118"
 55 = Wagon 140"
 56 = Wagon 158"
 01 = Chassis Forward Control
 118"
 02 = Chassis Forward Control
 140"
 06 = Front Section 158"
 11 = Van 118"

ENGINE

EX8 = Engine - 2.7L I5
 Mercedes-Benz TD

TRANSMISSION

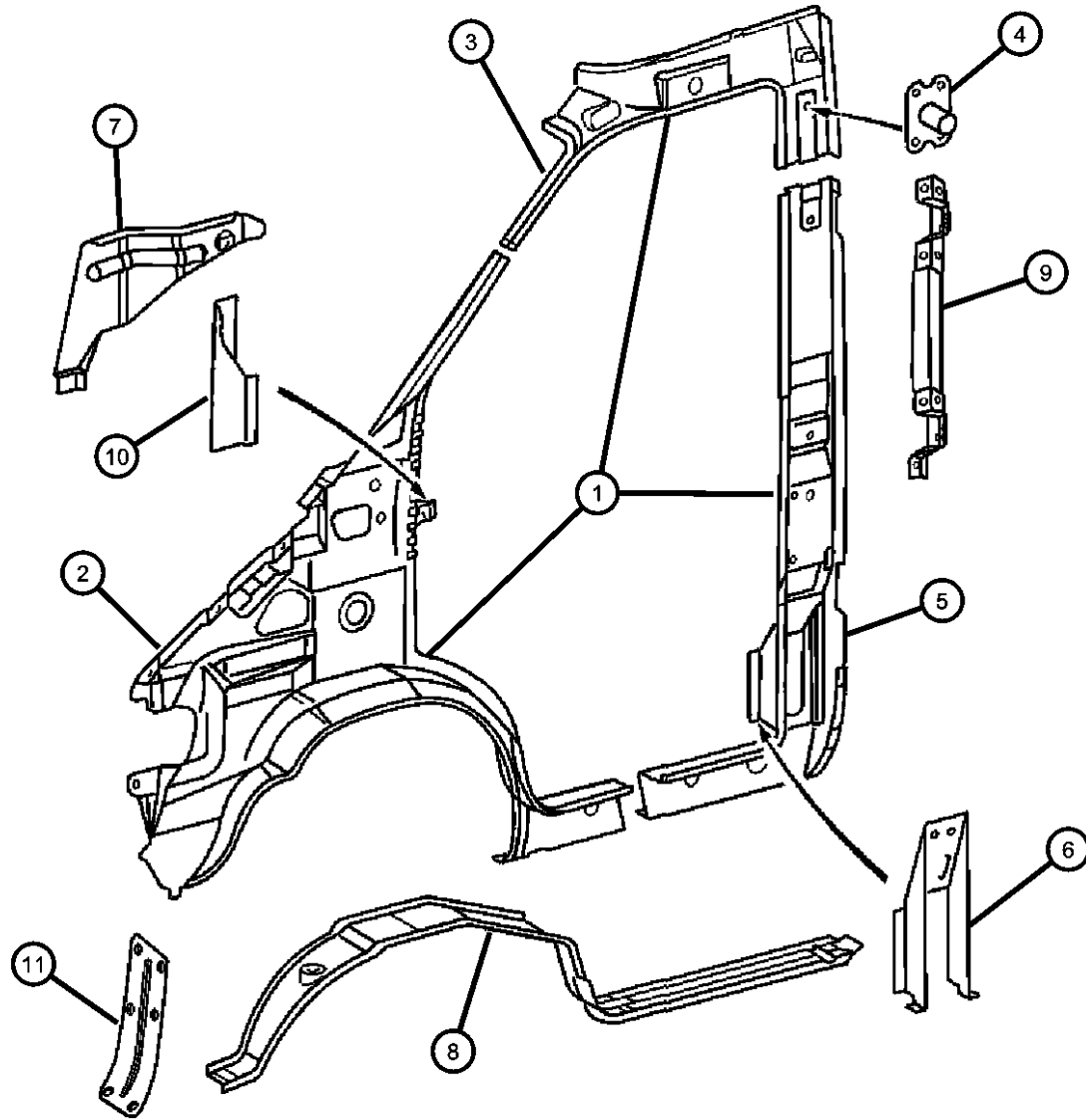
DGJ = Transmission - 5-Spd Auto, MB

AR = use ase required - = Non illustrated part

2005 VA

**Front Aperture, Inner, Left
Figure SVA-810**

ITEM	PART NUMBER	QTY	LINE	SERIES	BODY	ENGINE	TRANS	TRIM	DESCRIPTION
		1	2, 6		51, 52, 54, 55, 56				
		1	3, 7		02, 06				
		1	3, 7		12, 15, 16				
5									PILLAR, Front Door Lock
	05104186AA	1	2, 6		11, 12, 14, 15, 16				Without Left Sliding Door
		1	2, 6		51, 52, 54, 55, 56				Without Left Sliding Door
		1	3, 7		12, 15, 16				Without Left Sliding Door
	05121668AA	1	2, 6		01, 02, 06				With Left Sliding Door
		1	2, 6		11, 12, 14, 15, 16				With Left Sliding Door
		1	2, 6		51, 52, 54, 55, 56				With Left Sliding Door
		1	3, 7		12, 15, 16				With Left Sliding Door
6									REINFORCEMENT, Center Pillar
	05104189AA	1	2, 6		01, 02, 06				
		1	2, 6		11, 12, 14, 15, 16				
		1	2, 6		51, 52, 54, 55, 56				
7									BRACKET, Body Side Aperture
	05104193AA	1	2, 6		01, 02, 06				
		1	2, 6		11, 12, 14, 15, 16				
		1	2, 6		51, 52, 54, 55, 56				
		1	3, 7		02, 06				
		1	3, 7		12, 15, 16				
8									WHEELHOUSE, Front Inner
	05104199AA	1	2, 6		01, 02, 06				



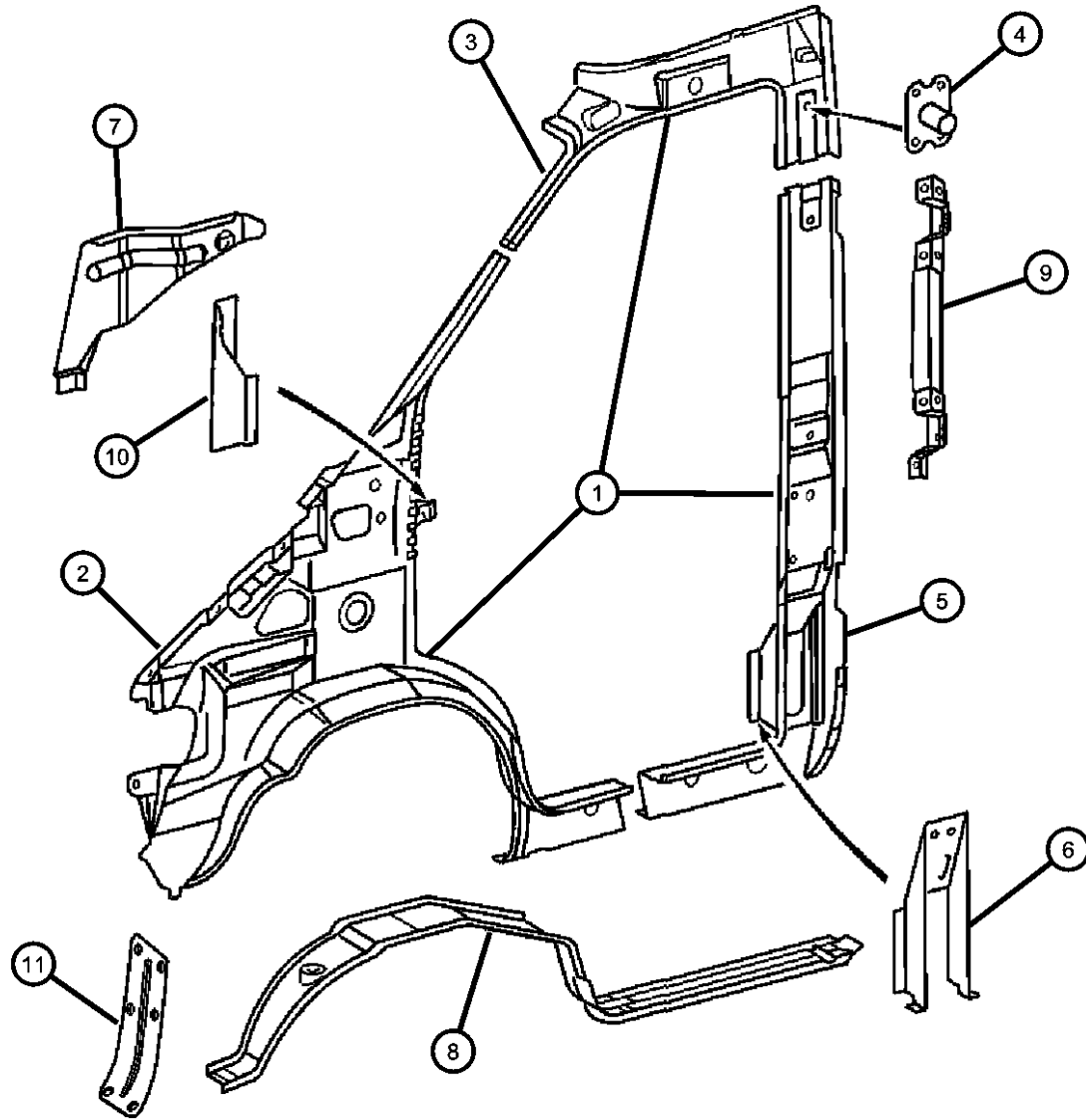
SPRINTER (VA)

SERIES	LINE	BODY	ENGINE	TRANSMISSION
L = LOWLINE	3 = HD DODGE 2WD 8 = HD DODGE 4WD 6 = Lt. Duty DODGE 4WD 2 = Med. Duty DODGE 2WD 7 = Med. Duty DODGE 4WD 4 = TRUCK	12 = Van 140" 51 = Wagon 118" 52 = Wagon 140" 14 = Van 118" 15 = Van 140" 16 = Van 158" 54 = Wagon 118" 55 = Wagon 140" 56 = Wagon 158" 01 = Chassis Forward Control 118" 02 = Chassis Forward Control 140" 06 = Front Section 158" 11 = Van 118"	EX8 = Engine - 2.7L I5 Mercedes-Benz TD	DGJ = Transmission - 5-Spd Auto, MB

AR = use ase required - = Non illustrated part

Front Aperture, Inner, Left
Figure SVA-810

ITEM	PART NUMBER	QTY	LINE	SERIES	BODY	ENGINE	TRANS	TRIM	DESCRIPTION
------	-------------	-----	------	--------	------	--------	-------	------	-------------



		1	2, 6		11, 12, 14, 15, 16				
		1	2, 6		51, 52, 54, 55, 56				
		1	3, 7		02, 06				
		1	3, 7		12, 15, 16				
9									BRACKET, Grab Handle
	05121721AA	1	2, 6		11, 12, 14, 15, 16				
		1	2, 6		51, 52, 54, 55, 56				
		1	3, 7		12, 15, 16				
10									REINFORCEMENT, Pillar And Cowl
	05133552AA	1	2, 6		01, 02, 06				
		1	2, 6		11, 12, 14, 15, 16				
		1	2, 6		51, 52, 54, 55, 56				
		1	3, 7		02, 06				
11									PANEL, Access
	05129943AA	1	2, 6		01, 02, 06				
		1	2, 6		11, 12, 14, 15, 16				
		1	2, 6		51, 52, 54, 55, 56				
		1	3, 7		02, 06				

SPRINTER (VA)

SERIES

L = LOWLINE

LINE

3 = HD DODGE 2WD
8 = HD DODGE 4WD
6 = Lt. Duty DODGE 4WD
2 = Med. Duty DODGE 2WD
7 = Med. Duty DODGE 4WD
4 = TRUCK

BODY

12 = Van 140"
51 = Wagon 118"
52 = Wagon 140"
14 = Van 118"
15 = Van 140"
16 = Van 158"
54 = Wagon 118"
55 = Wagon 140"
56 = Wagon 158"
01 = Chassis Forward Control
118"
02 = Chassis Forward Control
140"
06 = Front Section 158"
11 = Van 118"

ENGINE

EX8 = Engine - 2.7L I5
Mercedes-Benz TD

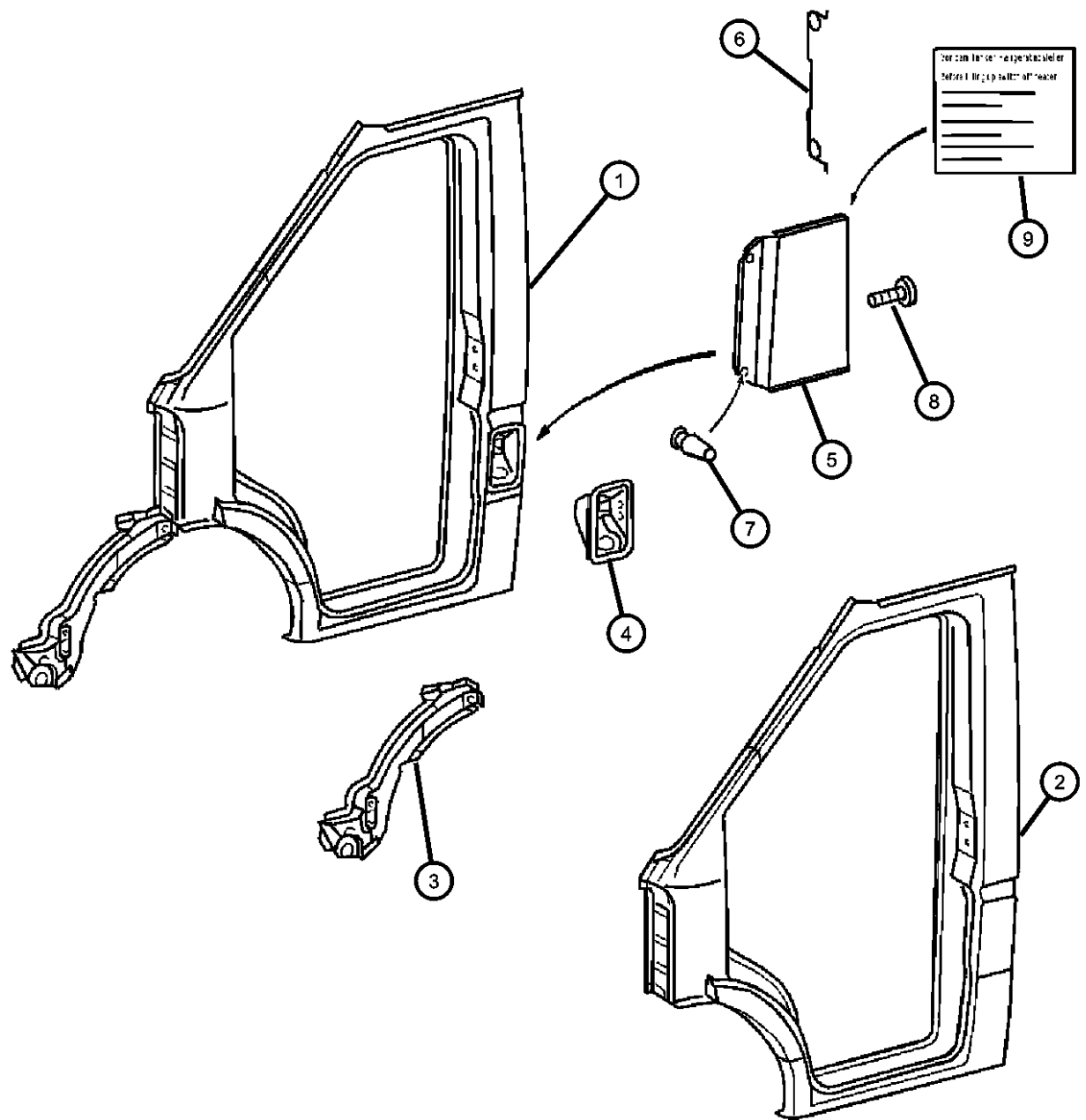
TRANSMISSION

DGJ = Transmission - 5-Spd Auto, MB

AR = use ase required - = Non illustrated part

2005 VA

**Front Aperture, Outer, Left
Figure SVA-820**

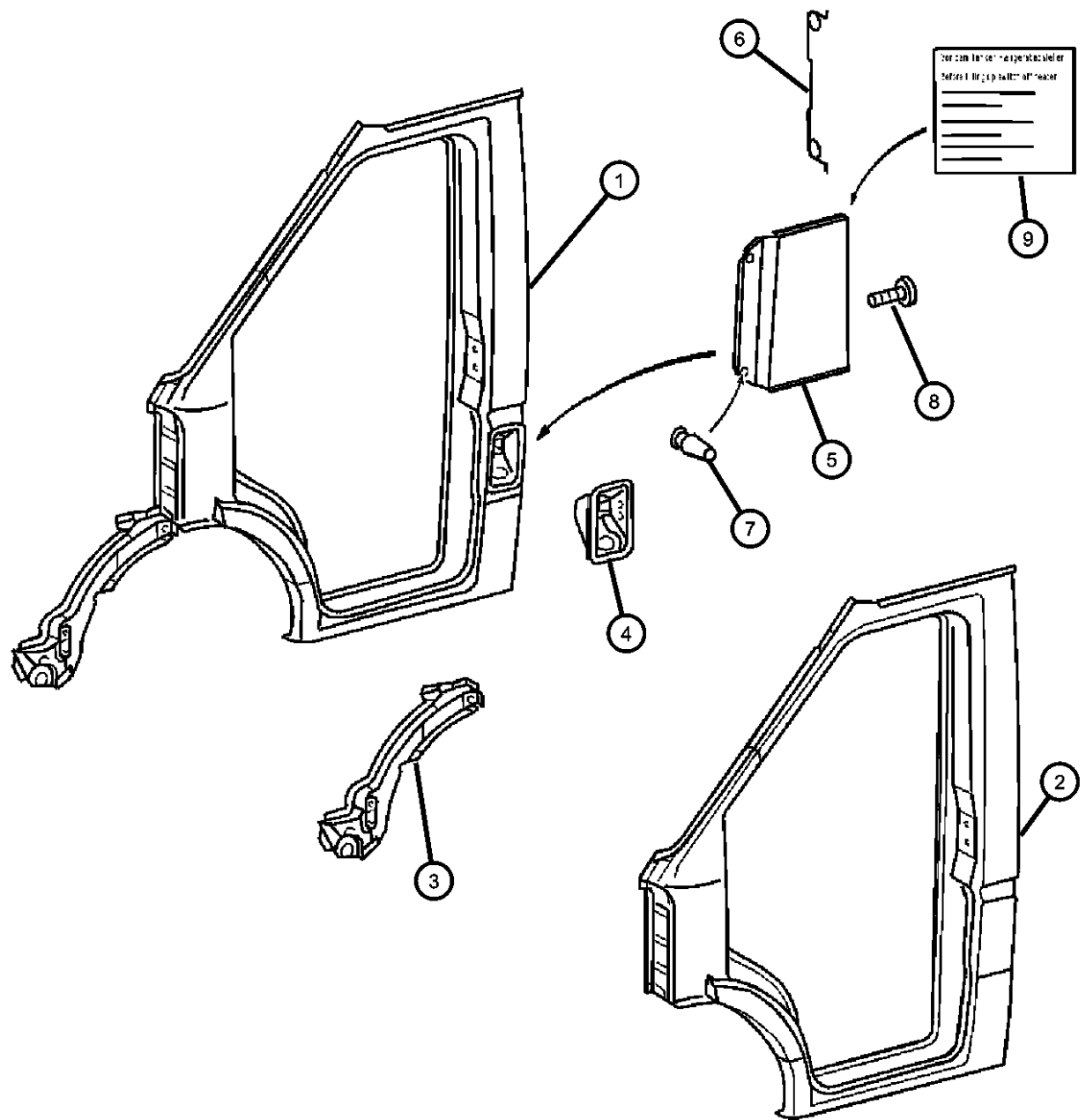


ITEM	PART NUMBER	QTY	LINE	SERIES	BODY	ENGINE	TRANS	TRIM	DESCRIPTION
1									APERTURE, Body Side Door, Complete
	05104182AA	1	2, 6		01, 02, 06				
		1	2, 6		51, 52, 54, 55, 56				
		1	3, 7		02, 06				
		1	2, 6		11, 12, 14, 15, 16				
		1	3, 7		12, 15, 16				
2									APERTURE, Body Side Door, Skin Only, With No Full Door Cutout
	05104220AA	1	2, 6		01, 02, 06				
		1	2, 6		11, 12, 14, 15, 16				
		1	2, 6		51, 52, 54, 55, 56				
		1	3, 7		02, 06				
		1	3, 7		12, 15, 16				
3									PANEL, Fender Extenssion
	05104192AA	1	2, 6		01, 02, 06				
		1	2, 6		11, 12, 14, 15, 16				
		1	2, 6		51, 52, 54, 55, 56				
		1	3, 7		02, 06				
		1	3, 7		12, 15, 16				
4									HOUSING, Fuel Filler
	05104167AA	1	3, 7		12, 15, 16				
		1	2, 6		11, 12, 14, 15, 16				
		1	2, 6		51, 52, 54, 55, 56				
5									DOOR, Fuel Fill
	05104399AA	1	2, 6		51, 52, 54, 55, 56				

SPRINTER (VA)					
SERIES	LINE	BODY	ENGINE	TRANSMISSION	
L = LOWLINE	3 = HD DODGE 2WD 8 = HD DODGE 4WD 6 = Lt. Duty DODGE 4WD 2 = Med. Duty DODGE 2WD 7 = Med. Duty DODGE 4WD 4 = TRUCK	12 = Van 140" 51 = Wagon 118" 52 = Wagon 140" 14 = Van 118" 15 = Van 140" 16 = Van 158" 54 = Wagon 118" 55 = Wagon 140" 56 = Wagon 158"	EX8 = Engine - 2.7L I5 Mercedes-Benz TD	DGJ = Transmission - 5-Spd Auto, MB	
		01 = Chassis Forward Control 118" 02 = Chassis Forward Control 140" 06 = Front Section 158" 11 = Van 118"			

AR = use ase required - = Non illustrated part

Front Aperture, Outer, Left
Figure SVA-820



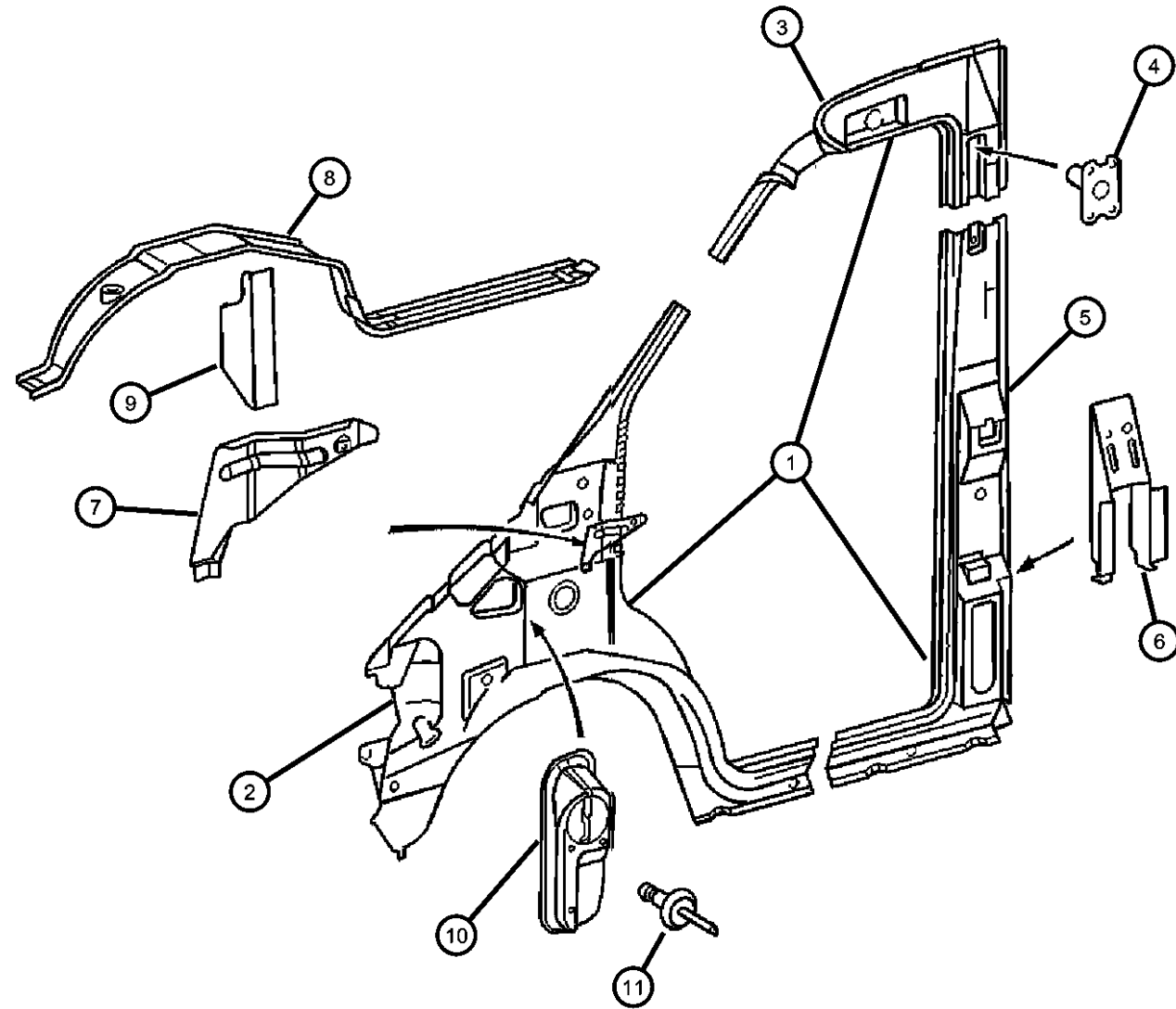
ITEM	PART NUMBER	QTY	LINE	SERIES	BODY	ENGINE	TRANS	TRIM	DESCRIPTION
		1	2, 6		01, 02, 06				
		1	2, 6		11, 12, 14, 15, 16				
6	05104408AA	1	2, 6		01, 02, 06				SPRING, Fuel Filler Door
		1	2, 6		11, 12, 14, 15, 16				
		1	2, 6		51, 52, 54, 55, 56				
7	05103917AA	2	2, 6		01, 02, 06				BUMPER, Fuel Door
		2	2, 6		11, 12, 14, 15, 16				
		2	2, 6		51, 52, 54, 55, 56				
8	05103714AA	2	2, 6		01, 02, 06				SCREW
		2	2, 6		11, 12, 14, 15, 16				
		2	2, 6		51, 52, 54, 55, 56				
9	05104152AA	1	2, 6		01, 02, 06				LABEL, Fuel
		1	2, 6		11, 12, 14, 15, 16				
		1	2, 6		51, 52, 54, 55, 56				
		1	3, 7		02, 06				
		1	3, 7		12, 15, 16				

SPRINTER (VA)

SERIES	LINE	BODY	ENGINE	TRANSMISSION
L = LOWLINE	3 = HD DODGE 2WD 8 = HD DODGE 4WD 6 = Lt. Duty DODGE 4WD 2 = Med. Duty DODGE 2WD 7 = Med. Duty DODGE 4WD 4 = TRUCK	12 = Van 140" 51 = Wagon 118" 52 = Wagon 140" 14 = Van 118" 15 = Van 140" 16 = Van 158" 54 = Wagon 118" 55 = Wagon 140" 56 = Wagon 158" 01 = Chassis Forward Control 118" 02 = Chassis Forward Control 140" 06 = Front Section 158" 11 = Van 118"	EX8 = Engine - 2.7L I5 Mercedes-Benz TD	DGJ = Transmission - 5-Spd Auto, MB

AR = use ase required - = Non illustrated part

**Front Aperture, Inner, Right
Figure SVA-830**



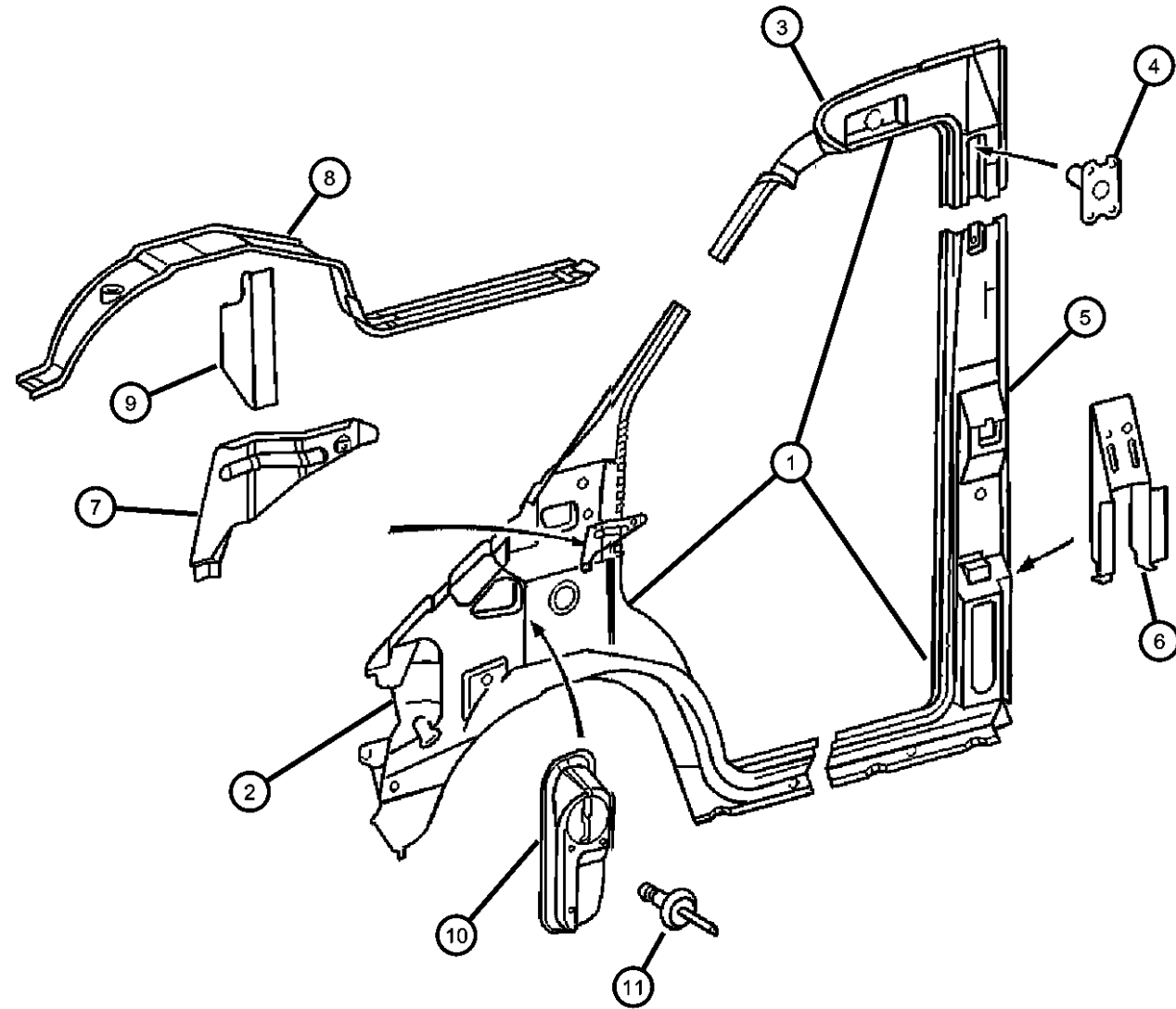
ITEM	PART NUMBER	QTY	LINE	SERIES	BODY	ENGINE	TRANS	TRIM	DESCRIPTION	
1	05104183AA	1	2, 6		11, 12, 14, 15, 16				APERTURE, Body Side Door With Sliding Door	
		1	2, 6		51, 52, 54, 55, 56				With Sliding Door	
	05121659AA	1	3, 7		12, 15, 16				With Sliding Door	
		1	2, 6		11, 12, 14, 15, 16				Without Sliding Door	
		1	2, 6		51, 52, 54, 55, 56				Without Sliding Door	
	2	05104185AA	1	3, 7		12, 15, 16				Without Sliding Door
			1	2, 6		01, 02, 06				PANEL, Body Side Aperture
1			2, 6		11, 12, 14, 15, 16					
1			2, 6		51, 52, 54, 55, 56					
1			3, 7		02, 06					
3	05121648AA	1	3, 7		12, 15, 16				PANEL, Body Side Aperture	
		1	2, 6		11, 12, 14, 15, 16				Without Sliding Door	
		1	2, 6		51, 52, 54, 55, 56				Without Sliding Door	
	05121650AA	1	3, 7		12, 15, 16				Without Sliding Door	
		1	2, 6		01, 02, 06				With Sliding Door	
		1	2, 6		11, 12, 14, 15, 16				With Sliding Door	
		1	2, 6		51, 52, 54, 55, 56				With Sliding Door	
4	05125412AA	1	3, 7		12, 15, 16				With Sliding Door	
		1	2, 6		01, 02, 06				TAPPING PLATE, Side Panel	
		1	2, 6		11, 12, 14, 15, 16					

SPRINTER (VA)

SERIES	LINE	BODY	ENGINE	TRANSMISSION
L = LOWLINE	3 = HD DODGE 2WD 8 = HD DODGE 4WD 6 = Lt. Duty DODGE 4WD 2 = Med. Duty DODGE 2WD 7 = Med. Duty DODGE 4WD 4 = TRUCK	12 = Van 140" 51 = Wagon 118" 52 = Wagon 140" 14 = Van 118" 15 = Van 140" 16 = Van 158" 54 = Wagon 118" 55 = Wagon 140" 56 = Wagon 158" 01 = Chassis Forward Control 118" 02 = Chassis Forward Control 140" 06 = Front Section 158" 11 = Van 118"	EX8 = Engine - 2.7L I5 Mercedes-Benz TD	DGJ = Transmission - 5-Spd Auto, MB

AR = use ase required - = Non illustrated part

Front Aperture, Inner, Right
Figure SVA-830



ITEM	PART NUMBER	QTY	LINE	SERIES	BODY	ENGINE	TRANS	TRIM	DESCRIPTION
		1	2, 6		51, 52, 54, 55, 56				
		1	3, 7		02, 06				
		1	3, 7		12, 15, 16				
5									PANEL, Body Side Aperture
	05121644AA	1	2, 6		11, 12, 14, 15, 16				Without Sliding Door
		1	2, 6		51, 52, 54, 55, 56				Without Sliding Door
		1	3, 7		12, 15, 16				Without Sliding Door
	05121645AA	1	2, 6		01, 02, 06				With Sliding Door
		1	2, 6		11, 12, 14, 15, 16				With Sliding Door
		1	2, 6		51, 52, 54, 55, 56				With Sliding Door
		1	3, 7		12, 15, 16				With Sliding Door
6									REINFORCEMENT, Center Pillar
	05104189AA	1	2, 6		01, 02, 06				
		1	2, 6		11, 12, 14, 15, 16				
		1	2, 6		51, 52, 54, 55, 56				
7									BRACKET, Instrument Panel
	05104195AA	1	2, 6		01, 02, 06				
		1	2, 6		11, 12, 14, 15, 16				
		1	2, 6		51, 52, 54, 55, 56				
		1	3, 7		02, 06				
		1	3, 7		12, 15, 16				
8									WHEELHOUSE, Front Inner
	05104200AA	1	2, 6		01, 02, 06				

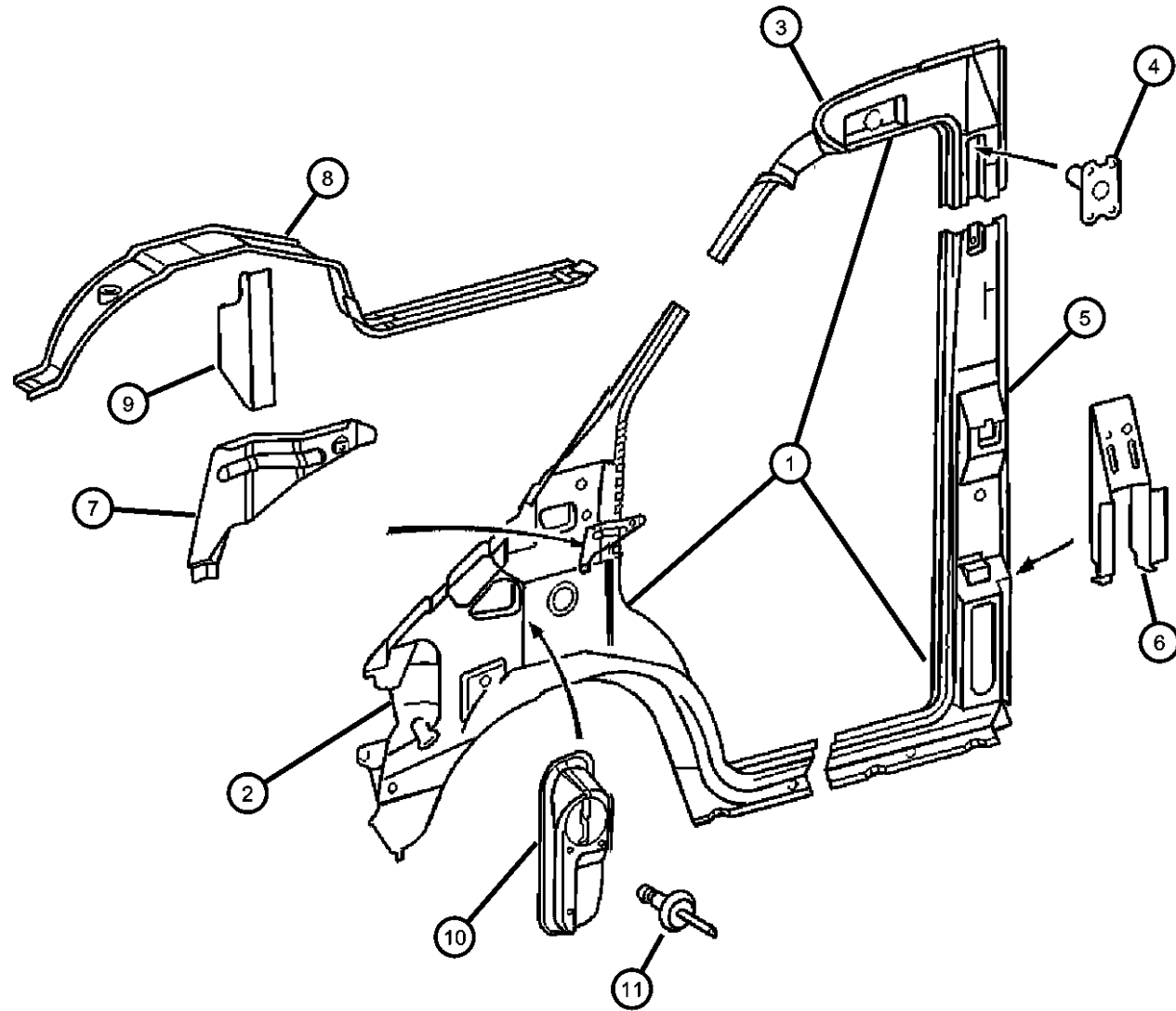
SPRINTER (VA)

SERIES	LINE	BODY	ENGINE	TRANSMISSION
L = LOWLINE	3 = HD DODGE 2WD 8 = HD DODGE 4WD 6 = Lt. Duty DODGE 4WD 2 = Med. Duty DODGE 2WD 7 = Med. Duty DODGE 4WD 4 = TRUCK	12 = Van 140" 51 = Wagon 118" 52 = Wagon 140" 14 = Van 118" 15 = Van 140" 16 = Van 158" 54 = Wagon 118" 55 = Wagon 140" 56 = Wagon 158" 01 = Chassis Forward Control 118" 02 = Chassis Forward Control 140" 06 = Front Section 158" 11 = Van 118"	EX8 = Engine - 2.7L I5 Mercedes-Benz TD	DGJ = Transmission - 5-Spd Auto, MB

AR = use ase required - = Non illustrated part

2005 VA

**Front Aperture, Inner, Right
Figure SVA-830**



ITEM	PART NUMBER	QTY	LINE	SERIES	BODY	ENGINE	TRANS	TRIM	DESCRIPTION
		1	2, 6		11, 12, 14, 15, 16				
		1	2, 6		51, 52, 54, 55, 56				
		1	3, 7		02, 06				
		1	3, 7		12, 15, 16				
9									REINFORCEMENT, Pillar And Cowl
	05133552AA	1	3, 7		02, 06				
		1	3, 7		12, 15, 16				
		1	2, 6		01, 02, 06				
		1	2, 6		11, 12, 14, 15, 16				
		1	2, 6		51, 52, 54, 55, 56				
10									BUSHING, Door Aperture
	05104187AA	1	2, 6		01, 02, 06				
		1	2, 6		11, 12, 14, 15, 16				
		1	2, 6		51, 52, 54, 55, 56				
		1	3, 7		02, 06				
		1	3, 7		12, 15, 16				
11									RIVET
	05133554AA	3	2, 6		01, 02, 06				
		3	2, 6		11, 12, 14, 15, 16				
		3	2, 6		51, 52, 54, 55, 56				
		3	3, 7		02, 06				
		3	3, 7		12, 15, 16				
12									COVER
	05122859AA	1	2, 6		01, 02, 06				

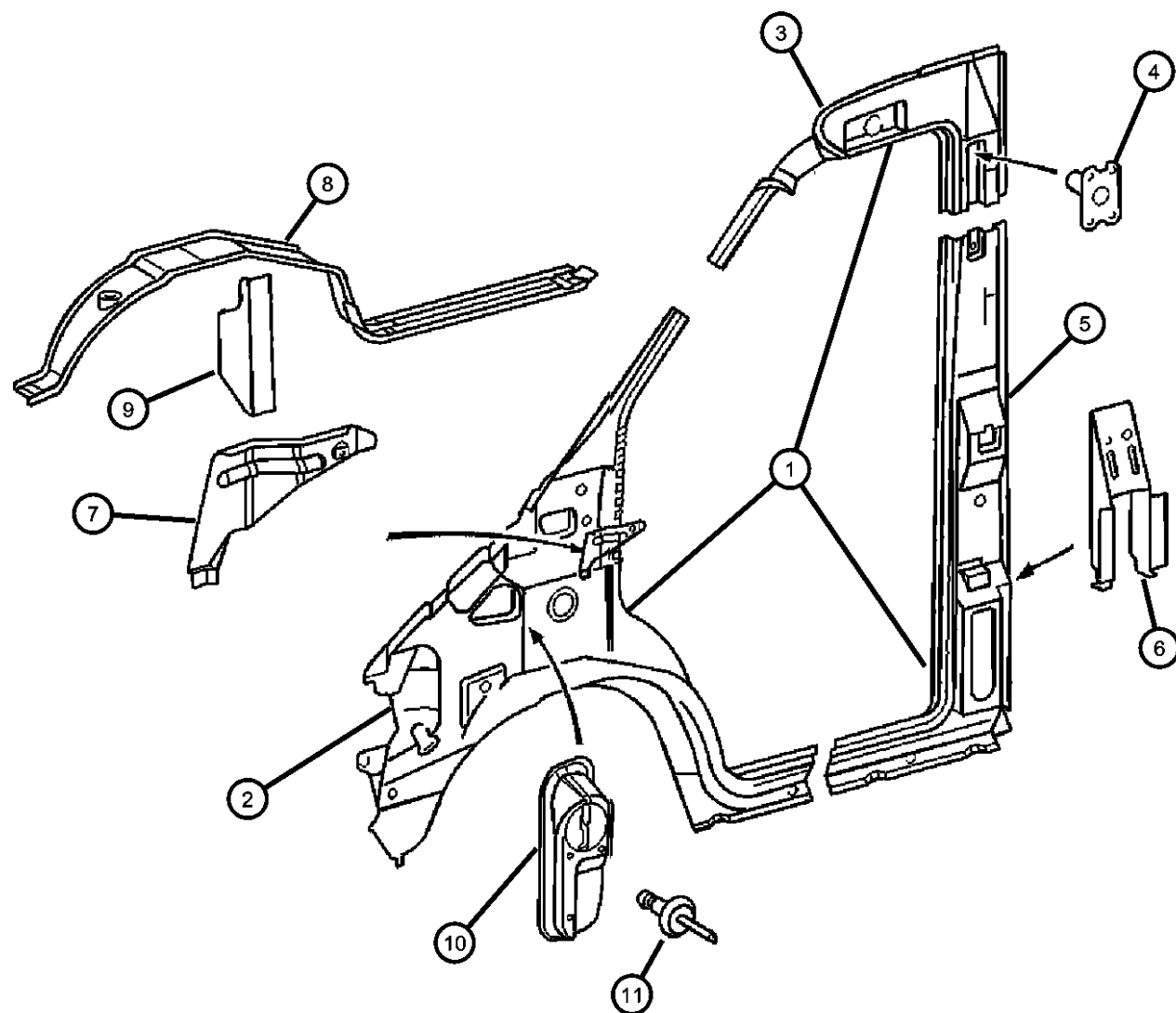
SPRINTER (VA)

SERIES	LINE	BODY	ENGINE	TRANSMISSION
L = LOWLINE	3 = HD DODGE 2WD	12 = Van 140"	EX8 = Engine - 2.7L I5	DGJ = Transmission - 5-Spd Auto, MB
	8 = HD DODGE 4WD	51 = Wagon 118"	Mercedes-Benz TD	
	6 = Lt. Duty DODGE 4WD	52 = Wagon 140"		
	2 = Med. Duty DODGE 2WD	14 = Van 118"		
	7 = Med. Duty DODGE 4WD	15 = Van 140"		
	4 = TRUCK	16 = Van 158"		
		54 = Wagon 118"		
		55 = Wagon 140"		
		56 = Wagon 158"		
		01 = Chassis Forward Control 118"		
		02 = Chassis Forward Control 140"		
		06 = Front Section 158"		
		11 = Van 118"		

AR = use ase required - = Non illustrated part

Front Aperture, Inner, Right
Figure SVA-830

ITEM	PART NUMBER	QTY	LINE	SERIES	BODY	ENGINE	TRANS	TRIM	DESCRIPTION
------	-------------	-----	------	--------	------	--------	-------	------	-------------



		1	2, 6		11, 12, 14, 15, 16				
		1	2, 6		51, 52, 54, 55, 56				
		1	3, 7		02, 06				
		1	3, 7		12, 15, 16				

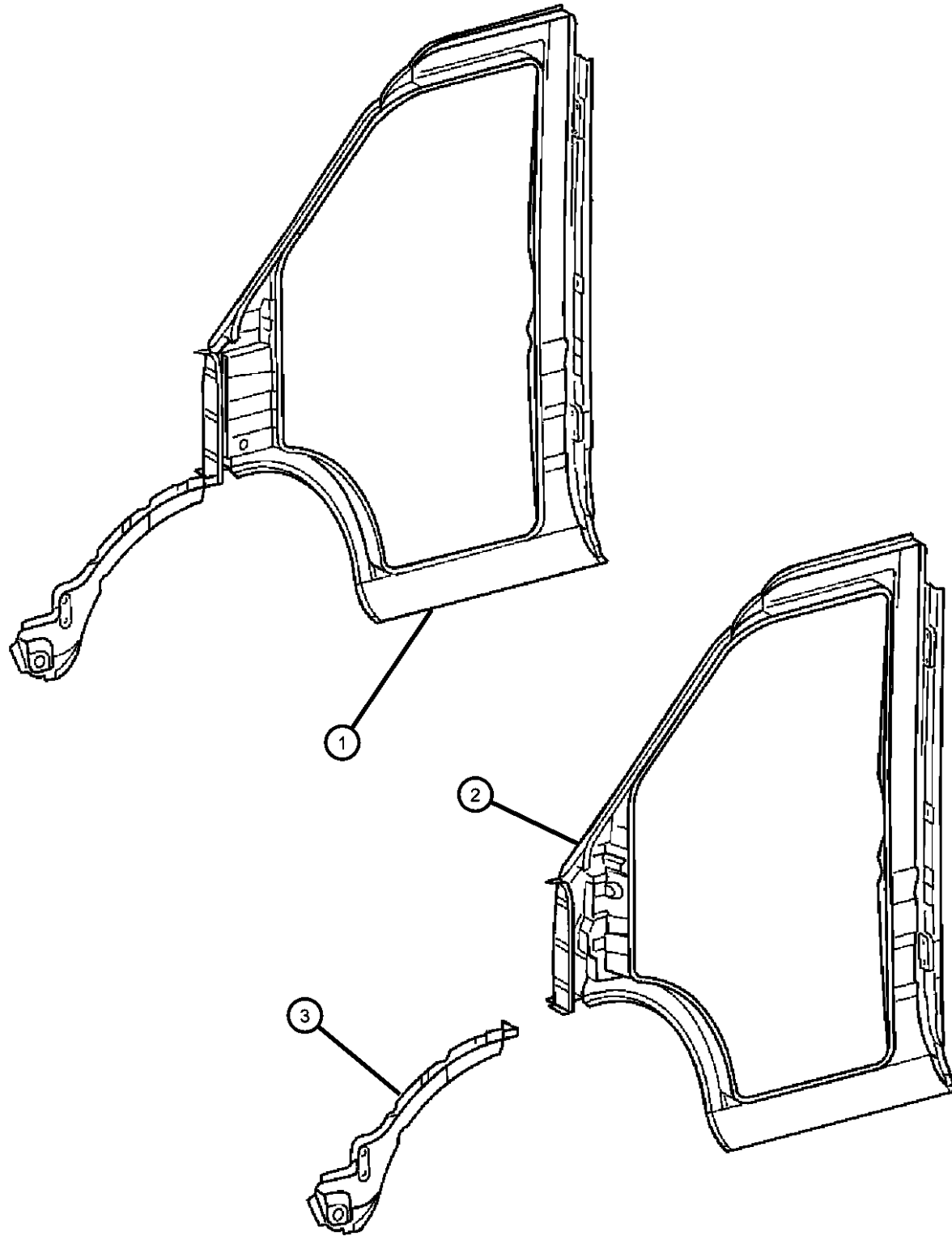
SPRINTER (VA)

SERIES	LINE	BODY	ENGINE	TRANSMISSION
L = LOWLINE	3 = HD DODGE 2WD	12 = Van 140"	EX8 = Engine - 2.7L I5	DGJ = Transmission - 5-Spd Auto, MB
	8 = HD DODGE 4WD	51 = Wagon 118"	Mercedes-Benz TD	
	6 = Lt. Duty DODGE 4WD	52 = Wagon 140"		
	2 = Med. Duty DODGE 2WD	14 = Van 118"		
	7 = Med. Duty DODGE 4WD	15 = Van 140"		
	4 = TRUCK	16 = Van 158"		
		54 = Wagon 118"		
		55 = Wagon 140"		
		56 = Wagon 158"		
		01 = Chassis Forward Control 118"		
		02 = Chassis Forward Control 140"		
		06 = Front Section 158"		
		11 = Van 118"		

AR = use ase required - = Non illustrated part

2005 VA

**Front Aperture, Outer, Right
Figure SVA-840**



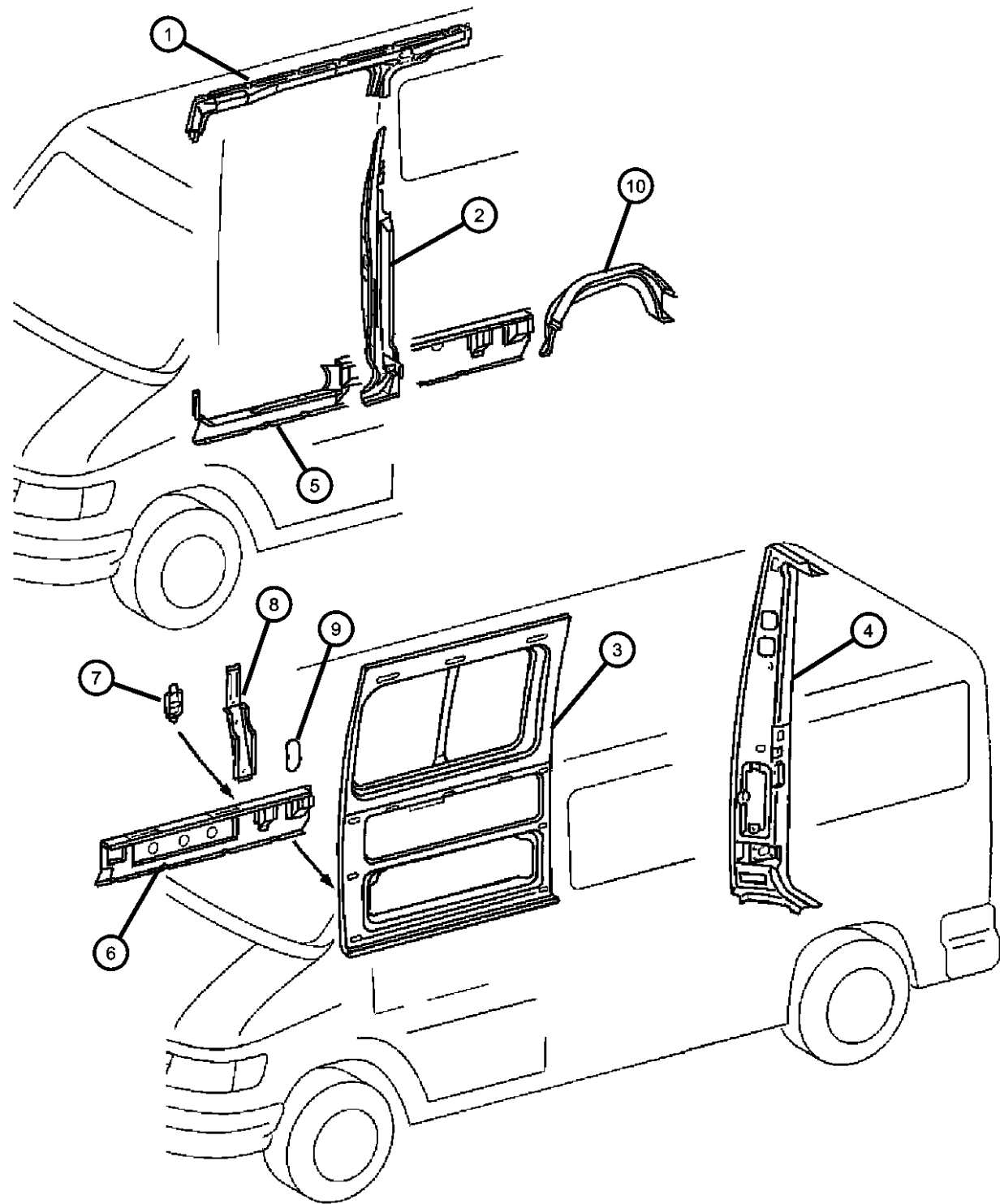
ITEM	PART NUMBER	QTY	LINE	SERIES	BODY	ENGINE	TRANS	TRIM	DESCRIPTION
1									APERTURE, Body Side Door
	05121683AA	1	2, 6		01, 02, 06				
		1	2, 6		11, 12, 14, 15, 16				
		1	2, 6		51, 52, 54, 55, 56				
		1	3, 7		02, 06				
		1	3, 7		12, 15, 16				
2									APERTURE, Body Side Door
	05104221AA	1	2, 6		01, 02, 06				
		1	2, 6		11, 12, 14, 15, 16				
		1	2, 6		51, 52, 54, 55, 56				
		1	3, 7		02, 06				
		1	3, 7		12, 15, 16				
3									PANEL, Fender Extentsion
	05104190AA	1	2, 6		51, 52, 54, 55, 56				
		1	3, 7		02, 06				
		1	3, 7		12, 15, 16				
		1	2, 6		01, 02, 06				
		1	2, 6		11, 12, 14, 15, 16				

SPRINTER (VA)

SERIES	LINE	BODY	ENGINE	TRANSMISSION
L = LOWLINE	3 = HD DODGE 2WD 8 = HD DODGE 4WD 6 = Lt. Duty DODGE 4WD 2 = Med. Duty DODGE 2WD 7 = Med. Duty DODGE 4WD 4 = TRUCK	12 = Van 140" 51 = Wagon 118" 52 = Wagon 140" 14 = Van 118" 15 = Van 140" 16 = Van 158" 54 = Wagon 118" 55 = Wagon 140" 56 = Wagon 158" 01 = Chassis Forward Control 118" 02 = Chassis Forward Control 140" 06 = Front Section 158" 11 = Van 118"	EX8 = Engine - 2.7L I5 Mercedes-Benz TD	DGJ = Transmission - 5-Spd Auto, MB

AR = use ase required - = Non illustrated part

**Right Side Cargo Door Pillars & Wheelhouse
Figure SVA-910**

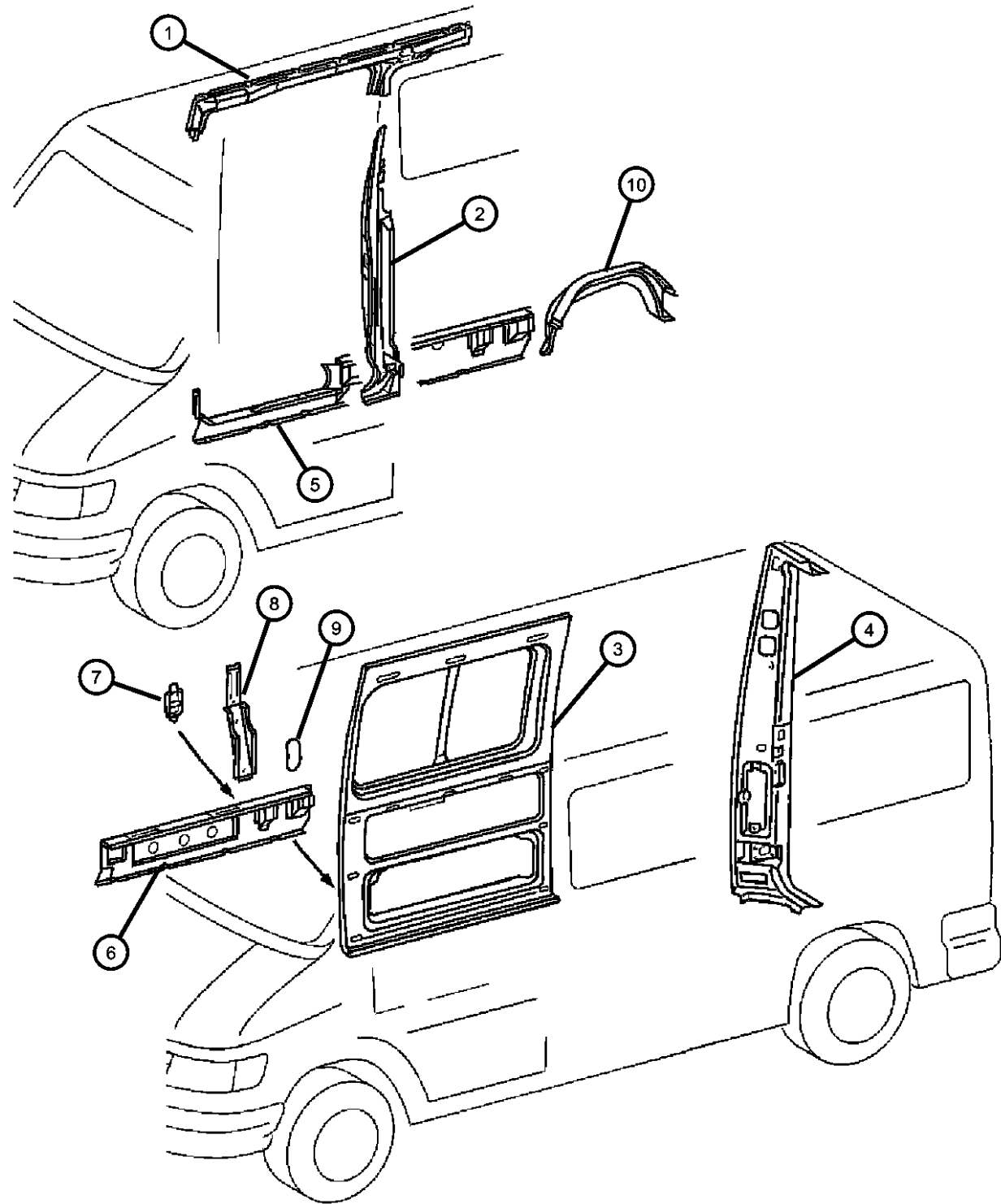


ITEM	PART NUMBER	QTY	LINE	SERIES	BODY	ENGINE	TRANS	TRIM	DESCRIPTION
1									REINFORCEMENT, Body Side Aperture
	05104204AA	1	2, 6		11, 12, 14, 15, 16				
		1	2, 6		51, 52, 54, 55, 56				
		1	3, 7		12, 15, 16				
2									PILLAR, Side Cargo Door
	05104166AA	1	3, 7		12, 15, 16				[140 & 158] Inch Wheelbase
		1	2, 6		12, 15, 16				[140 & 158] Inch Wheelbase
		1	2, 6		11, 14				[140 & 158] Inch Wheelbase
		1	2, 6		52, 55, 56				[140 & 158] Inch Wheelbase
		1	2, 6		51, 54				[140 & 158] Inch Wheelbase
	05121699AA	1	2, 6		11, 14				[118] Inch Wheelbase
		1	2, 6		12, 15				[118] Inch Wheelbase
		1	2, 6		51, 54				[118] Inch Wheelbase
		1	2, 6		52, 55				[118] Inch Wheelbase
		1	3, 7		12, 15, 16				[118] Inch Wheelbase
3									PANEL, Body Side Front
	05104197AA	1	2, 6		11, 12, 14, 15, 16				
		1	2, 6		51, 52, 54, 55, 56				
		1	3, 7		12, 15, 16				
4									PILLAR, Rear Cargo Door Hinge
	05104178AA	1	2, 6		14, 15, 16				High Roof
		1	2, 6		54, 55, 56				High Roof
		1	3, 7		15, 16				High Roof
	05121908AA	1	2, 6		11, 12				Low Roof
		1	2, 6		51, 52				Low Roof
		1	3, 7		12				Low Roof

SPRINTER (VA)
 SERIES LINE BODY ENGINE TRANSMISSION
 L = LOWLINE 3 = HD DODGE 2WD 12 = Van 140" EX8 = Engine - 2.7L I5 DGJ = Transmission - 5-Spd Auto, MB
 8 = HD DODGE 4WD 51 = Wagon 118" Mercedes-Benz TD
 6 = Lt. Duty DODGE 4WD 52 = Wagon 140"
 2 = Med. Duty DODGE 2WD 14 = Van 118"
 7 = Med. Duty DODGE 4WD 15 = Van 140"
 4 = TRUCK 16 = Van 158"
 54 = Wagon 118"
 55 = Wagon 140"
 56 = Wagon 158"
 01 = Chassis Forward Control
 118"
 02 = Chassis Forward Control
 140"
 06 = Front Section 158"
 11 = Van 118"

AR = use ase required - = Non illustrated part

**Right Side Cargo Door Pillars & Wheelhouse
Figure SVA-910**



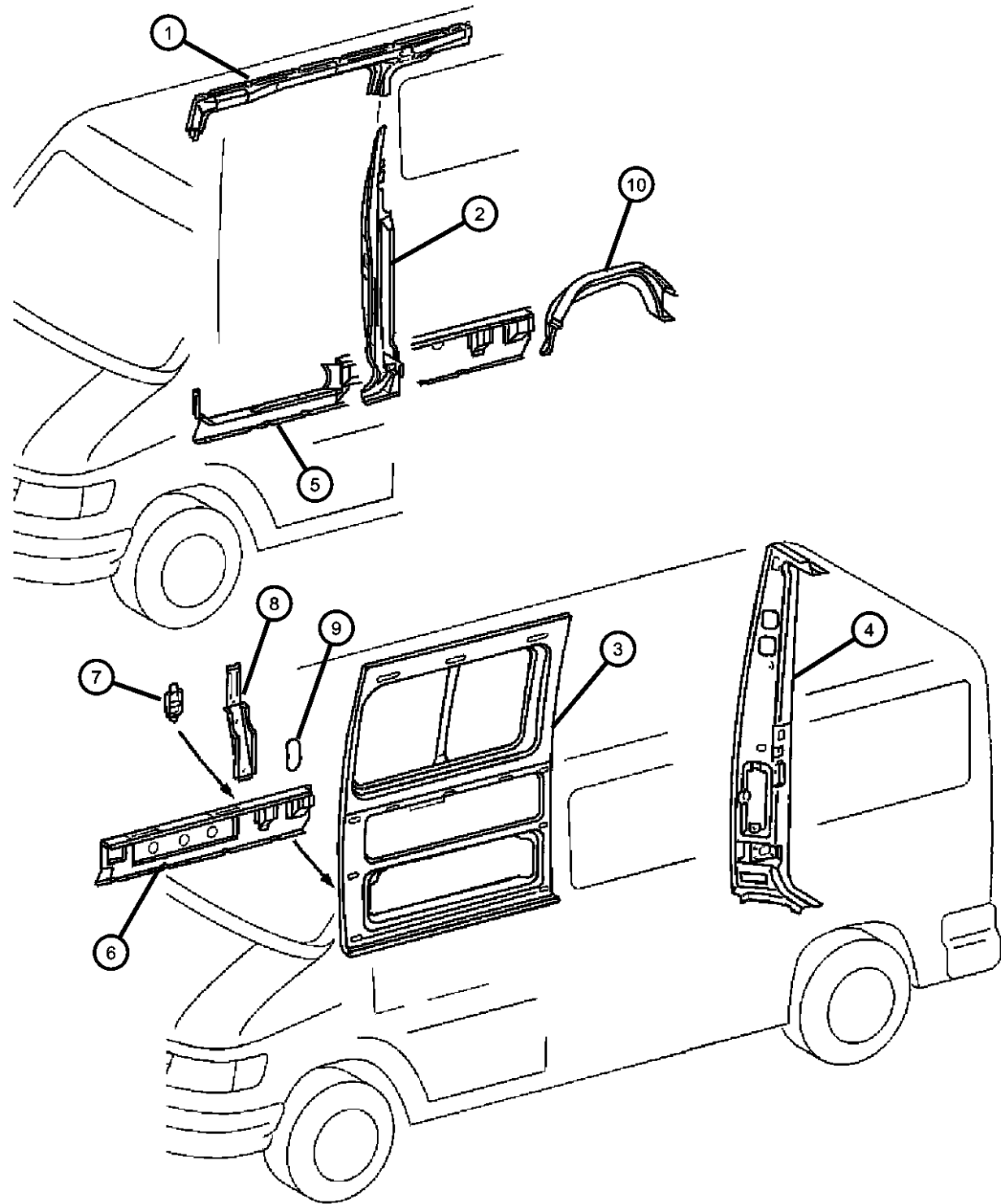
ITEM	PART NUMBER	QTY	LINE	SERIES	BODY	ENGINE	TRANS	TRIM	DESCRIPTION
5									SUPPORT, Sill Reinforcement
	05121747AA	1	3, 7		16				[158] Inch Wheelbase, Without Right Sliding Door
	05104171AA	1	2, 6		11, 14				[118] Inch Wheelbase
		1	2, 6		51, 54				[118] Inch Wheelbase
		1	2, 6		16				[158] Inch Wheelbase, Without Right Sliding Door
		1	2, 6		56				[158] Inch Wheelbase, Without Right Sliding Door
	05121752AA	1	2, 6		12, 15				[140] Inch Wheelbase
		1	2, 6		52, 55				[140] Inch Wheelbase
	05121755AA	1	2, 6		16				[158] Inch Wheelbase, With Right Sliding Door
		1	2, 6		56				[158] Inch Wheelbase, With Right Sliding Door
	05121776AA	1	3, 7		12, 15				[140] Inch Wheelbase
	05121780AA	1	3, 7		16				[158] Inch Wheelbase, With Right Sliding Door
6									SUPPORT, Sill Reinforcement
	05121743AA	1	2, 6		12, 15				[140] Inch Wheelbase, With Right Sliding Door
		1	6, 2		52, 55				[140] Inch Wheelbase, With Right Sliding Door
		1	3, 7		12, 15				[140] Inch Wheelbase, With Right Sliding Door
	05121766AA	1	3, 7		12, 15				[140] Inch Wheelbase, Without Right Sliding Door
	05131075AA	1	2, 6		11, 14				[118] Inch Wheelbase, Without Right Sliding Door
		1	2, 6		51, 54				[118] Inch Wheelbase, Without Right Sliding Door
	05131079AA	1	2, 6		12, 15				[140] Inch Wheelbase, Without Right Sliding Door
	05131083AA	1	2, 6		56				[158] Inch Wheelbase, Without Right Sliding Door

SPRINTER (VA)

SERIES	LINE	BODY	ENGINE	TRANSMISSION
L = LOWLINE	3 = HD DODGE 2WD 8 = HD DODGE 4WD 6 = Lt. Duty DODGE 4WD 2 = Med. Duty DODGE 2WD 7 = Med. Duty DODGE 4WD 4 = TRUCK	12 = Van 140" 51 = Wagon 118" 52 = Wagon 140" 14 = Van 118" 15 = Van 140" 16 = Van 158" 54 = Wagon 118" 55 = Wagon 140" 56 = Wagon 158" 01 = Chassis Forward Control 118" 02 = Chassis Forward Control 140" 06 = Front Section 158" 11 = Van 118"	EX8 = Engine - 2.7L I5 Mercedes-Benz TD	DGJ = Transmission - 5-Spd Auto, MB

AR = use ase required - = Non illustrated part

Right Side Cargo Door Pillars & Wheelhouse
Figure SVA-910



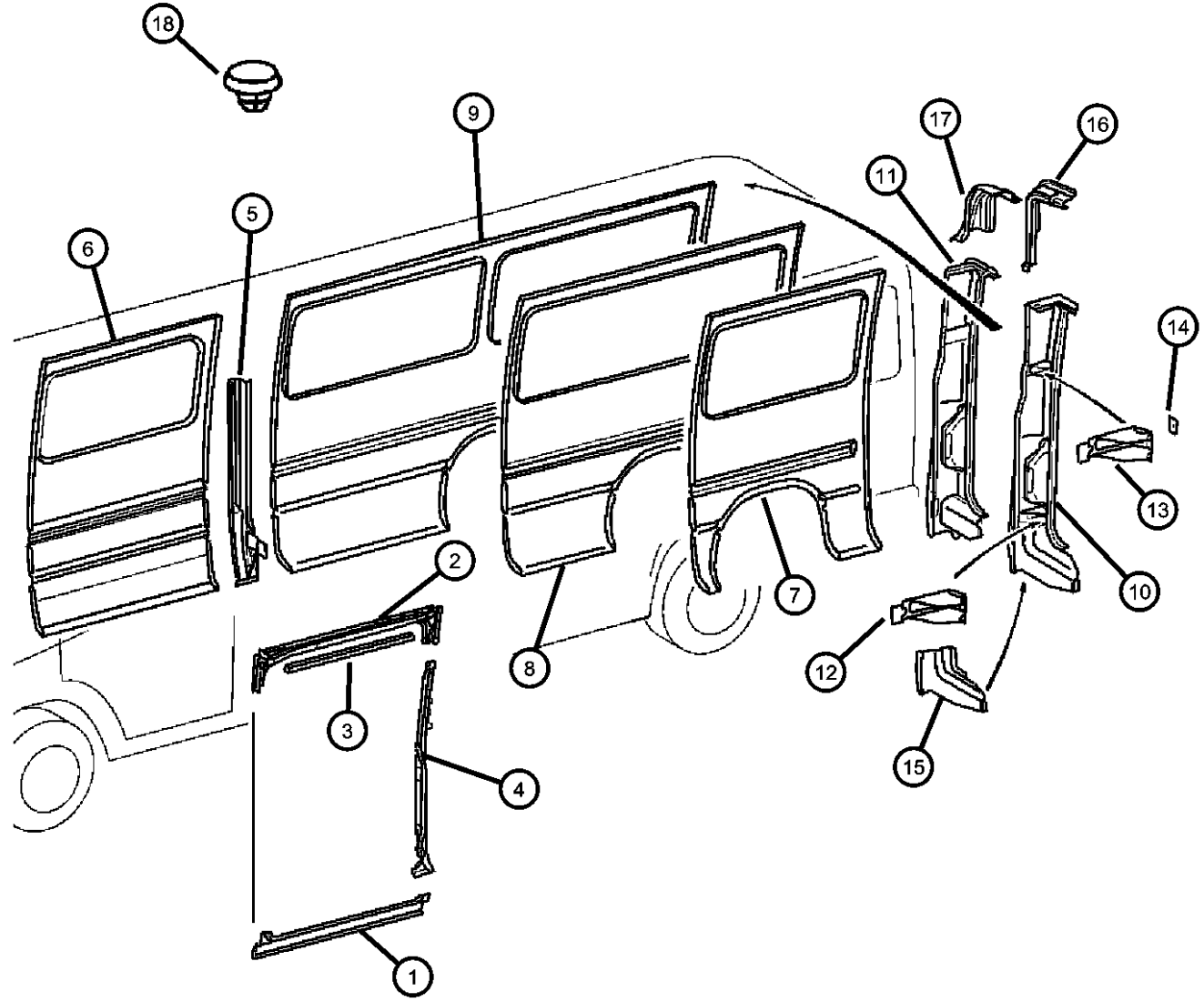
ITEM	PART NUMBER	QTY	LINE	SERIES	BODY	ENGINE	TRANS	TRIM	DESCRIPTION
		1	2, 6		52, 55				[140] Inch Wheelbase, Without Right Sliding Door
		1	2, 6		16				[158] Inch Wheelbase, Without Right Sliding Door
7									PLUG, Body
	05125519AA	2	2, 6		12, 15				
		1	2, 6		11, 14				
		2	2, 6		52, 55				
		1	2, 6		51, 54				
		2	3, 7		12, 15, 16				
8									REINFORCEMENT, Side Panel
	05104198AA	1	2, 6		52, 55				
		1	3, 7		12, 15, 16				
		1	2, 6		12, 15				
9									COVER, Sill
	05121838AA	1	2, 6		11, 12, 14, 15, 16				
		1	2, 6		51, 52, 54, 55, 56				
		1	3, 7		12, 15, 16				
10									WHEELHOUSE
	05121862AA	1	2, 6		11, 12, 14, 15, 16				
		1	2, 6		51, 52, 54, 55, 56				
	05121865AA	1	2, 6		11, 12, 14, 15, 16				With [WDG], 16x6 Steel Wheels
		1	2, 6		51, 52, 54, 55, 56				With [WDG], 16x6 Steel Wheels
		1	3, 7		12, 15, 16				With [WDG], 16x6 Steel Wheels

SPRINTER (VA)

SERIES	LINE	BODY	ENGINE	TRANSMISSION
L = LOWLINE	3 = HD DODGE 2WD 8 = HD DODGE 4WD 6 = Lt. Duty DODGE 4WD 2 = Med. Duty DODGE 2WD 7 = Med. Duty DODGE 4WD 4 = TRUCK	12 = Van 140" 51 = Wagon 118" 52 = Wagon 140" 14 = Van 118" 15 = Van 140" 16 = Van 158" 54 = Wagon 118" 55 = Wagon 140" 56 = Wagon 158" 01 = Chassis Forward Control 118" 02 = Chassis Forward Control 140" 06 = Front Section 158" 11 = Van 118"	EX8 = Engine - 2.7L I5 Mercedes-Benz TD	DGJ = Transmission - 5-Spd Auto, MB

AR = use ase required - = Non illustrated part

**Right Side Panels, Cargo
Figure SVA-920**



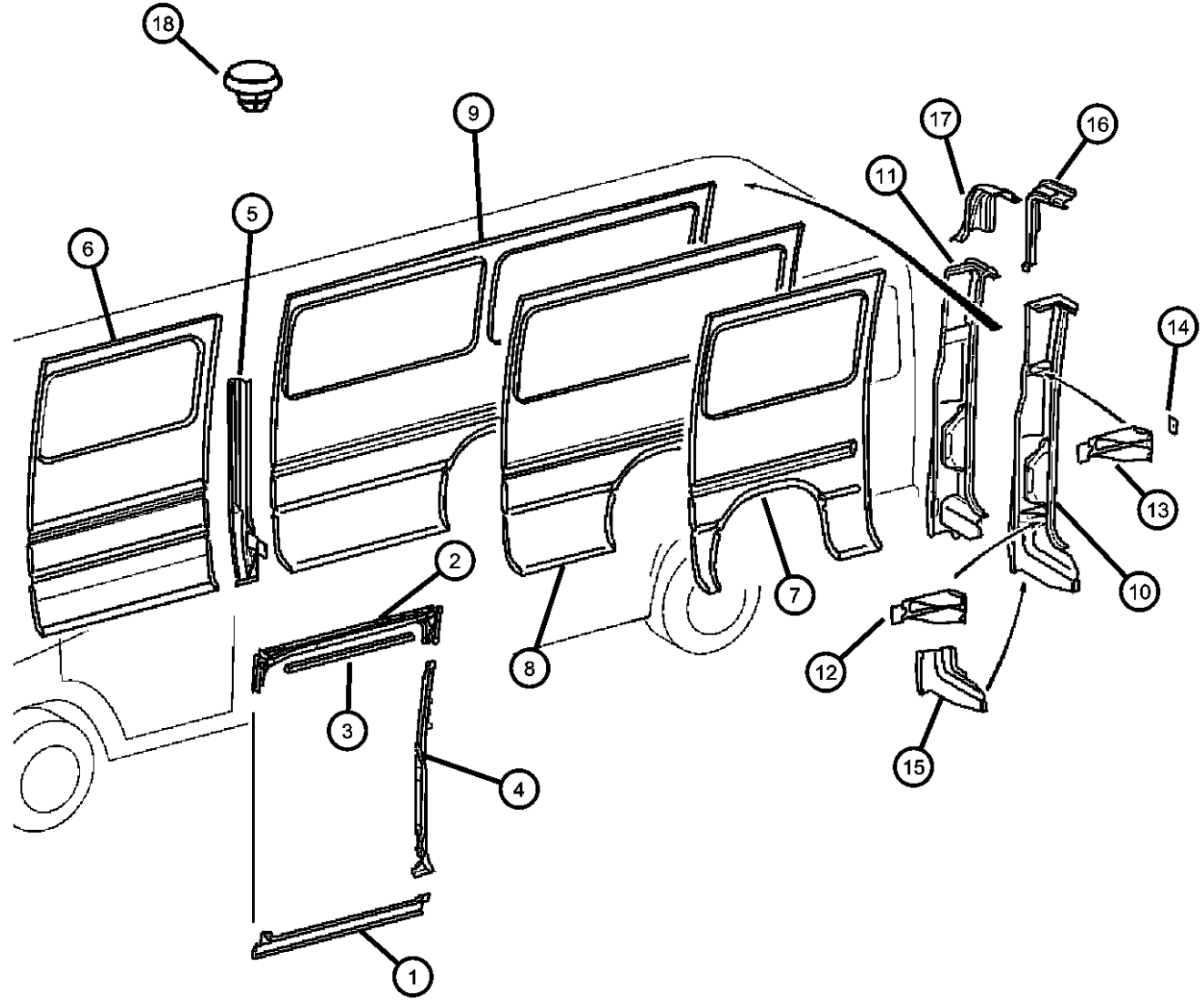
ITEM	PART NUMBER	QTY	LINE	SERIES	BODY	ENGINE	TRANS	TRIM	DESCRIPTION
1	05104214AA	1	2, 6		51, 52, 54, 55, 56				PANEL, Sill
		1	3, 7		12, 15, 16				
		1	2, 6		11, 12, 14, 15, 16				
2	05104179AA	1	3, 7		12, 15, 16				PANEL, Cargo Compartment, Upper
		1	2, 6		11, 12, 14, 15, 16				
		1	2, 6		51, 52, 54, 55, 56				
3	05122036AA	1	2, 6		11, 12, 14, 15, 16				TRACK, Sliding Door
		1	2, 6		51, 52, 54, 55, 56				
		1	3, 7		12, 15, 16				
4	05104166AA	1	2, 6		12, 15, 16				PILLAR, Side Cargo Door [140 & 158] Inch Wheelbase
		1	2, 6		52, 55, 56				
		1	3, 7		12, 15, 16				
		1	2, 6		11, 14				
		1	2, 6		12, 15				
		1	2, 6		51, 54				
		1	2, 6		52, 55				
1	3, 7		12, 15, 16						
5	05121704AA	1	2, 6		12, 15				PILLAR, Side Cargo Door [140 & 158] Inch Wheelbase
		1	2, 6		52, 55				
		1	3, 7		12, 15				

SPRINTER (VA)

SERIES	LINE	BODY	ENGINE	TRANSMISSION
L = LOWLINE	3 = HD DODGE 2WD 8 = HD DODGE 4WD 6 = Lt. Duty DODGE 4WD 2 = Med. Duty DODGE 2WD 7 = Med. Duty DODGE 4WD 4 = TRUCK	12 = Van 140" 51 = Wagon 118" 52 = Wagon 140" 14 = Van 118" 15 = Van 140" 16 = Van 158" 54 = Wagon 118" 55 = Wagon 140" 56 = Wagon 158" 01 = Chassis Forward Control 118" 02 = Chassis Forward Control 140" 06 = Front Section 158" 11 = Van 118"	EX8 = Engine - 2.7L I5 Mercedes-Benz TD	DGJ = Transmission - 5-Spd Auto, MB

AR = use ase required - = Non illustrated part

**Right Side Panels, Cargo
Figure SVA-920**



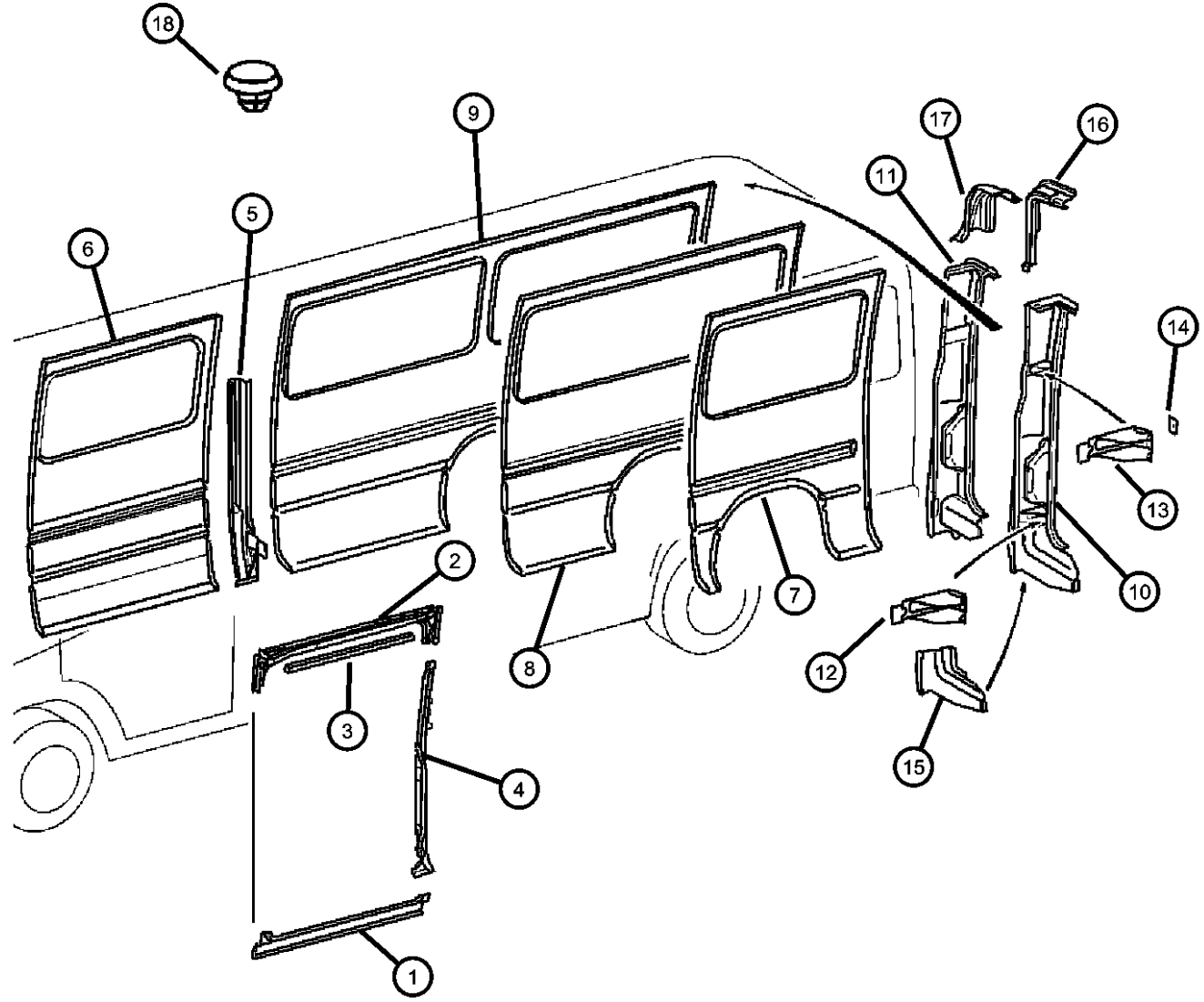
ITEM	PART NUMBER	QTY	LINE	SERIES	BODY	ENGINE	TRANS	TRIM	DESCRIPTION
	05131053AA	1	2, 6		11, 14				[118] Inch Wheelbase
		1	2, 6		51, 54				[118] Inch Wheelbase
6									PANEL, Body Side Front
	05104205AA	1	2, 6		11, 12, 14, 15, 16				
		1	2, 6		51, 52, 54, 55, 56				
		1	3, 7		12, 15, 16				PANEL, Body Side Rear
7									
	05131138AA	1	2, 6		11, 14				
		1	2, 6		51, 54				
8									PANEL, Body Side Rear
	05121965AA	1	2, 6		12, 15				Without Windows, Outer
	05121967AA	1	2, 6		12, 15				With Windows, Outer
		1	2, 6		52, 55				With Windows, Outer
	05121993AA	1	3, 7		12, 15				Outer
9									PANEL, Body Side Rear
	05104225AA	1	2, 6		16				No Windows, Without [R16] Wheels
	05121970AA	1	2, 6		16				With Windows, Without [R16] Wheels
		1	2, 6		56				With Windows, Without [R16] Wheels
	05121998AA	1	3, 7		16				
	05131173AA	1	2, 6		16				No Windows, With [R16] Wheels
	05131178AA	1	2, 6		16				With Windows & [R16] Wheels
		1	2, 6		56				With Windows & [R16] Wheels
10									PANEL, D Pillar
	05104176AA	1	2, 6		54, 55, 56				With High Roof
		1	3, 7		15, 16				With High Roof
	05121679AA	1	2, 6		11, 12				With Low Roof

SPRINTER (VA)

SERIES	LINE	BODY	ENGINE	TRANSMISSION
L = LOWLINE	3 = HD DODGE 2WD 8 = HD DODGE 4WD 6 = Lt. Duty DODGE 4WD 2 = Med. Duty DODGE 2WD 7 = Med. Duty DODGE 4WD 4 = TRUCK	12 = Van 140" 51 = Wagon 118" 52 = Wagon 140" 14 = Van 118" 15 = Van 140" 16 = Van 158" 54 = Wagon 118" 55 = Wagon 140" 56 = Wagon 158"	EX8 = Engine - 2.7L I5 Mercedes-Benz TD	DGJ = Transmission - 5-Spd Auto, MB
		01 = Chassis Forward Control 118"		
		02 = Chassis Forward Control 140"		
		06 = Front Section 158"		
		11 = Van 118"		

AR = use ase required - = Non illustrated part

**Right Side Panels, Cargo
Figure SVA-920**

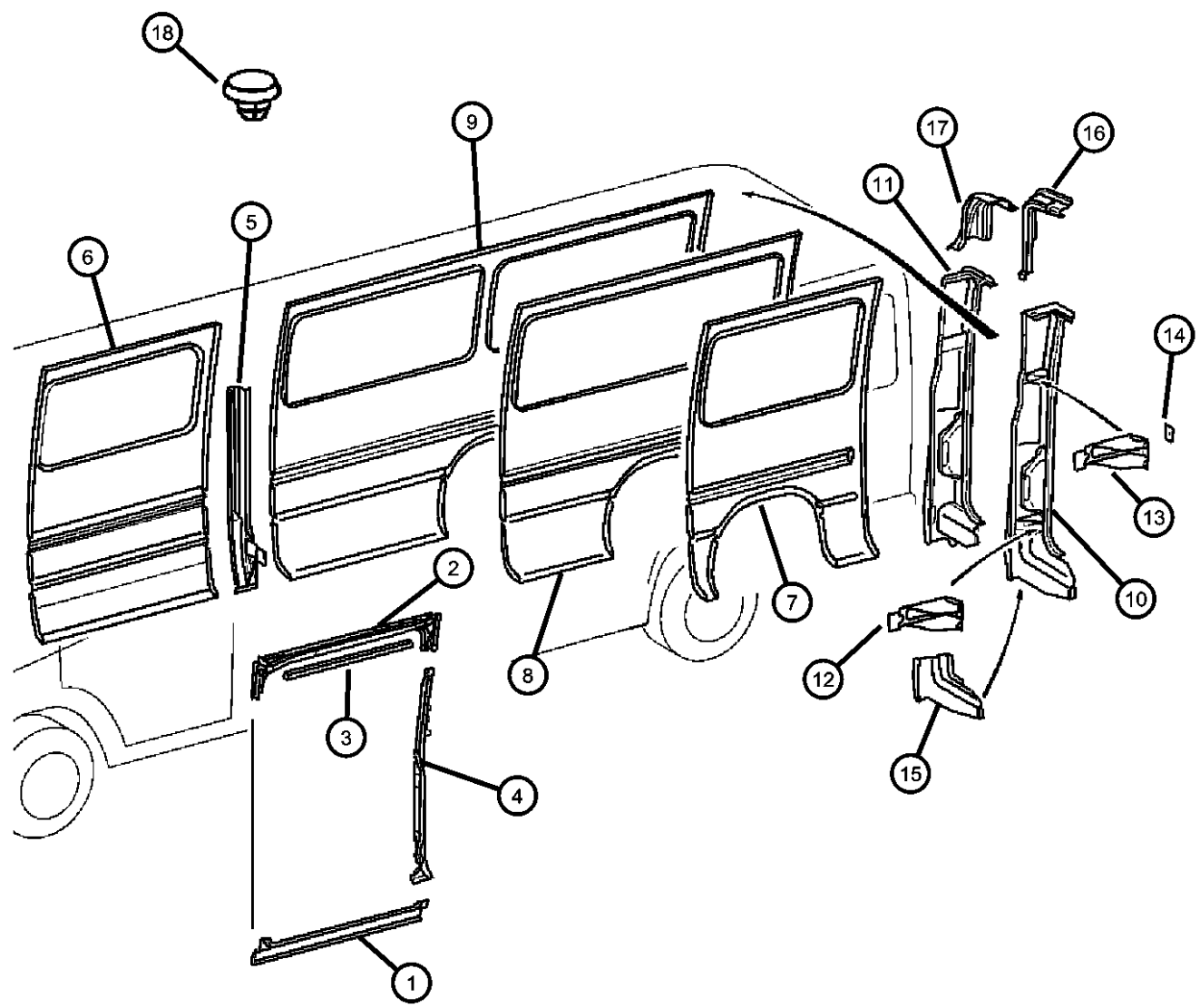


ITEM	PART NUMBER	QTY	LINE	SERIES	BODY	ENGINE	TRANS	TRIM	DESCRIPTION
		1	2, 6		51, 52				With Low Roof
		1	3, 7		12				With Low Roof
		1	2, 6		14, 15, 16				With High Roof
11									PANEL, D Pillar
	05104208AA	1	2, 6		11, 12				
		1	2, 6		14, 15, 16				
		1	2, 6		51, 52				
		1	3, 7		12				
12									REINFORCEMENT, Rear door hinge
	05104209AA	1	6, 2		11, 12, 14, 15, 16				
		1	2, 6		51, 52, 54, 55, 56				
		1	3, 7		12, 15, 16				
13									REINFORCEMENT, Rear door hinge
	05104215AA	1	2, 6		51, 52, 54, 55, 56				
		1	3, 7		12, 15, 16				
		1	2, 6		11, 12, 14, 15, 16				
14									PLATE, Rear Door Hinge
	05104188AA	2	2, 6		11, 12, 14, 15, 16				
		2	2, 6		51, 52, 54, 55, 56				
		2	3, 7		12, 15, 16				
15									EXTENSION, D Pillar Lower
	05104211AA	1	2, 6		11, 12, 14, 15, 16				
		1	2, 6		51, 52, 54, 55, 56				

SPRINTER (VA)				
SERIES	LINE	BODY	ENGINE	TRANSMISSION
L = LOWLINE	3 = HD DODGE 2WD 8 = HD DODGE 4WD 6 = Lt. Duty DODGE 4WD 2 = Med. Duty DODGE 2WD 7 = Med. Duty DODGE 4WD 4 = TRUCK	12 = Van 140" 51 = Wagon 118" 52 = Wagon 140" 14 = Van 118" 15 = Van 140" 16 = Van 158" 54 = Wagon 118" 55 = Wagon 140" 56 = Wagon 158" 01 = Chassis Forward Control 118" 02 = Chassis Forward Control 140" 06 = Front Section 158" 11 = Van 118"	EX8 = Engine - 2.7L I5 Mercedes-Benz TD	DGJ = Transmission - 5-Spd Auto, MB

AR = use ase required - = Non illustrated part

**Right Side Panels, Cargo
Figure SVA-920**



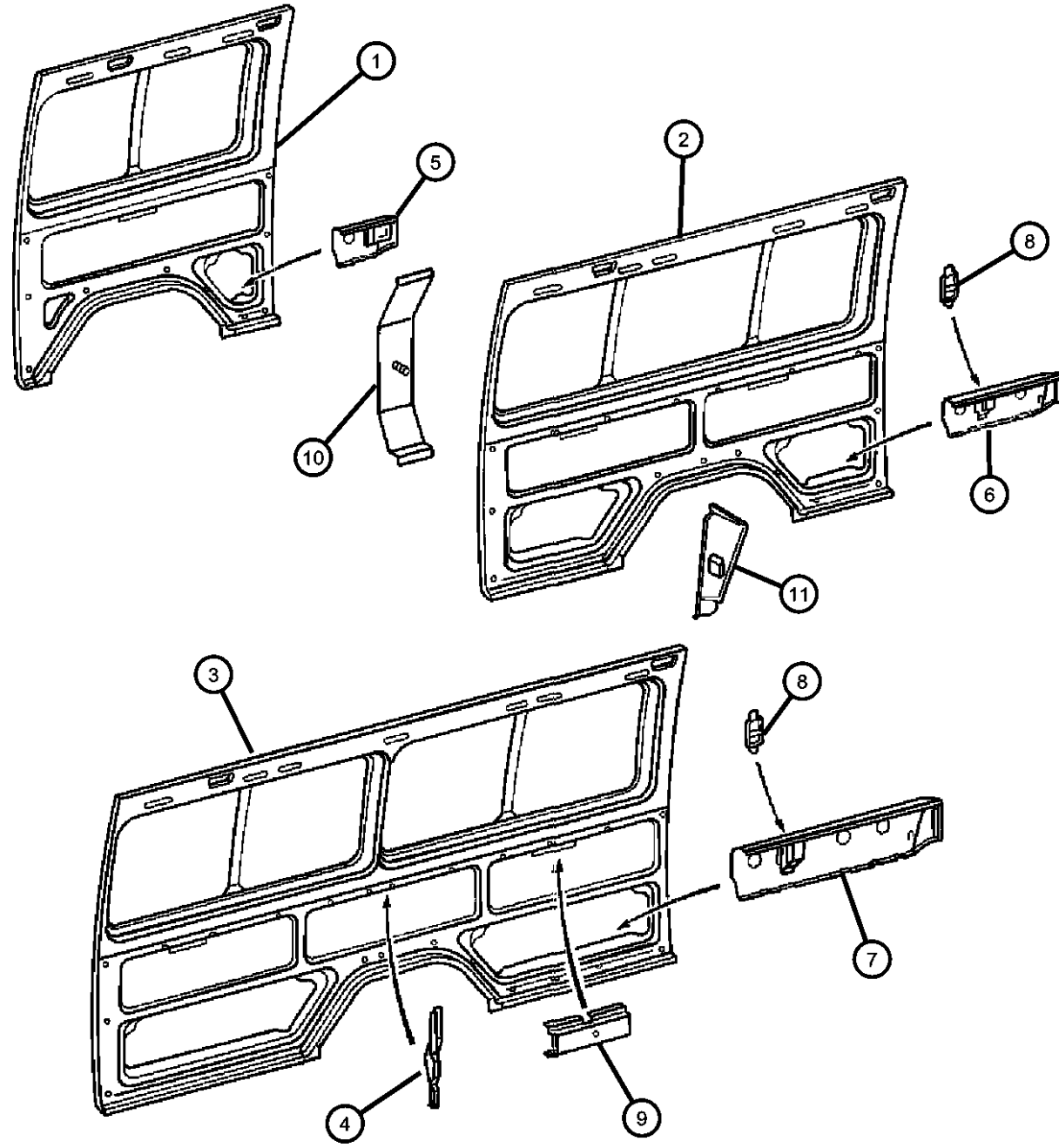
ITEM	PART NUMBER	QTY	LINE	SERIES	BODY	ENGINE	TRANS	TRIM	DESCRIPTION
16		1	3, 7		12, 15, 16				EXTENSION, D Pillar Upper
	05104224AA	1	2, 6		14, 15, 16				
		1	2, 6		54, 55, 56				
		1	3, 7		15, 16				
17									PANEL, D Pillar Trim
	05104218AA	1	3, 7		15, 16				
		1	2, 6		14, 15, 16				
		1	2, 6		54, 55, 56				
18									PLUG, Expansion
	05133657AA	1	2, 6		11, 12, 14, 15, 16				
		1	2, 6		51, 52, 54, 55, 56				
		1	3, 7		12, 15, 16				

SPRINTER (VA)

SERIES	LINE	BODY	ENGINE	TRANSMISSION
L = LOWLINE	3 = HD DODGE 2WD 8 = HD DODGE 4WD 6 = Lt. Duty DODGE 4WD 2 = Med. Duty DODGE 2WD 7 = Med. Duty DODGE 4WD 4 = TRUCK	12 = Van 140" 51 = Wagon 118" 52 = Wagon 140" 14 = Van 118" 15 = Van 140" 16 = Van 158" 54 = Wagon 118" 55 = Wagon 140" 56 = Wagon 158" 01 = Chassis Forward Control 118" 02 = Chassis Forward Control 140" 06 = Front Section 158" 11 = Van 118"	EX8 = Engine - 2.7L I5 Mercedes-Benz TD	DGJ = Transmission - 5-Spd Auto, MB

AR = use ase required - = Non illustrated part

**Right Side Panels, Interior
Figure SVA-930**



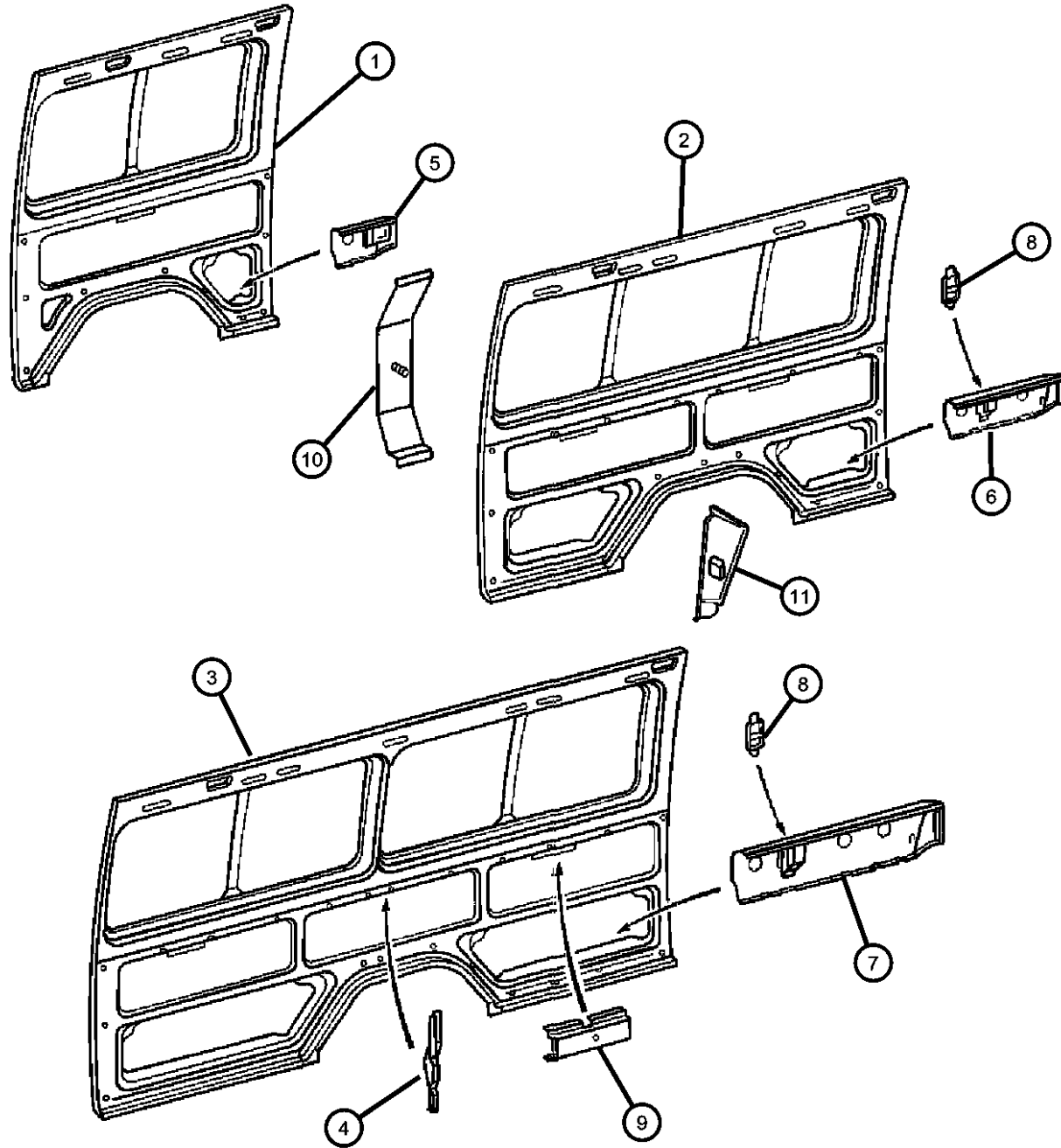
ITEM	PART NUMBER	QTY	LINE	SERIES	BODY	ENGINE	TRANS	TRIM	DESCRIPTION
1	05131122AA	1	2, 6		51, 54				PANEL, Body Side Rear, [118] Inch Wheelbase Without Sliding Door
	05121897AA	1	2, 6		11, 14				With Sliding Door
		1	2, 6		51, 54				With Sliding Door
		1	2, 6		11, 14				Without Sliding Door
2	05121892AA	1	2, 6		12, 15				PANEL, Body Side Rear, [140] Inch Wheelbase Without Sliding Door,Inner
		1	2, 6		52, 55				Without Sliding Door,Inner
	05121899AA	1	3, 7		12, 15				Without Sliding Door,Inner
		1	2, 6		12, 15				With Sliding Door,Inner
		1	2, 6		52, 55				With Sliding Door,Inner
		1	3, 7		12, 15				With Sliding Door,Inner
3	05104203AA	1	2, 6		16				PANEL, Body Side Rear, [158] Inch Wheelbase With Sliding Door
		1	2, 6		56				With Sliding Door
		1	3, 7		16				With Sliding Door
	05121895AA	1	2, 6		16				Without Sliding Door
		1	2, 6		56				Without Sliding Door
		1	3, 7		16				Without Sliding Door
4	05121707AA	1	2, 6		11, 12, 14, 15, 16				REINFORCEMENT, Quarter Inner With 16x6 Steel Wheels
		1	2, 6		51, 52, 54, 55, 56				With 16x6 Steel Wheels
		1	3, 7		12, 15, 16				With 16x6 Steel Wheels
	05131056AA	1	2, 6		11, 12, 14, 15, 16				
		1	2, 6		51, 52, 54, 55, 56				

SPRINTER (VA)

SERIES	LINE	BODY	ENGINE	TRANSMISSION
L = LOWLINE	3 = HD DODGE 2WD 8 = HD DODGE 4WD 6 = Lt. Duty DODGE 4WD 2 = Med. Duty DODGE 2WD 7 = Med. Duty DODGE 4WD 4 = TRUCK	12 = Van 140" 51 = Wagon 118" 52 = Wagon 140" 14 = Van 118" 15 = Van 140" 16 = Van 158" 54 = Wagon 118" 55 = Wagon 140" 56 = Wagon 158" 01 = Chassis Forward Control 118" 02 = Chassis Forward Control 140" 06 = Front Section 158" 11 = Van 118"	EX8 = Engine - 2.7L I5 Mercedes-Benz TD	DGJ = Transmission - 5-Spd Auto, MB

AR = use ase required - = Non illustrated part

**Right Side Panels, Interior
Figure SVA-930**



ITEM	PART NUMBER	QTY	LINE	SERIES	BODY	ENGINE	TRANS	TRIM	DESCRIPTION
5	05121739AA	1	2, 6		51, 54				SUPPORT
		1	2, 6		11, 14				
6	05121743AA	1	2, 6		12, 15				SUPPORT, Sill Reinforcement
		1	2, 6		52, 55				
		1	3, 7		12, 15				
7	05121747AA	1	2, 6		16				SUPPORT, Sill Reinforcement
		1	2, 6		56				
		1	3, 7		16				
8	05125519AA	1	2, 6		12, 15				PLUG, Body
		1	2, 6		11, 14				
		1	2, 6		51, 54				
		1	2, 6		52, 55				
		1	3, 7		12, 15, 16				
9	05131057AA	1	2, 6		51, 52, 54, 55, 56				REINFORCEMENT, Side Panel
		2	2, 6		11, 12, 14, 15, 16				
10	05127239AA	3	2, 6		11, 14, 16				BRACKET
		5	3, 7		12, 15				
		7	3, 7		16				
		3	2, 6		51, 54, 56				
11									PANEL, Rear Side

SPRINTER (VA)

SERIES

L = LOWLINE

LINE

3 = HD DODGE 2WD
 8 = HD DODGE 4WD
 6 = Lt. Duty DODGE 4WD
 2 = Med. Duty DODGE 2WD
 7 = Med. Duty DODGE 4WD
 4 = TRUCK

BODY

12 = Van 140"
 51 = Wagon 118"
 52 = Wagon 140"
 14 = Van 118"
 15 = Van 140"
 16 = Van 158"
 54 = Wagon 118"
 55 = Wagon 140"
 56 = Wagon 158"
 01 = Chassis Forward Control
 118"
 02 = Chassis Forward Control
 140"
 06 = Front Section 158"
 11 = Van 118"

ENGINE

EX8 = Engine - 2.7L I5
 Mercedes-Benz TD

TRANSMISSION

DGJ = Transmission - 5-Spd Auto, MB

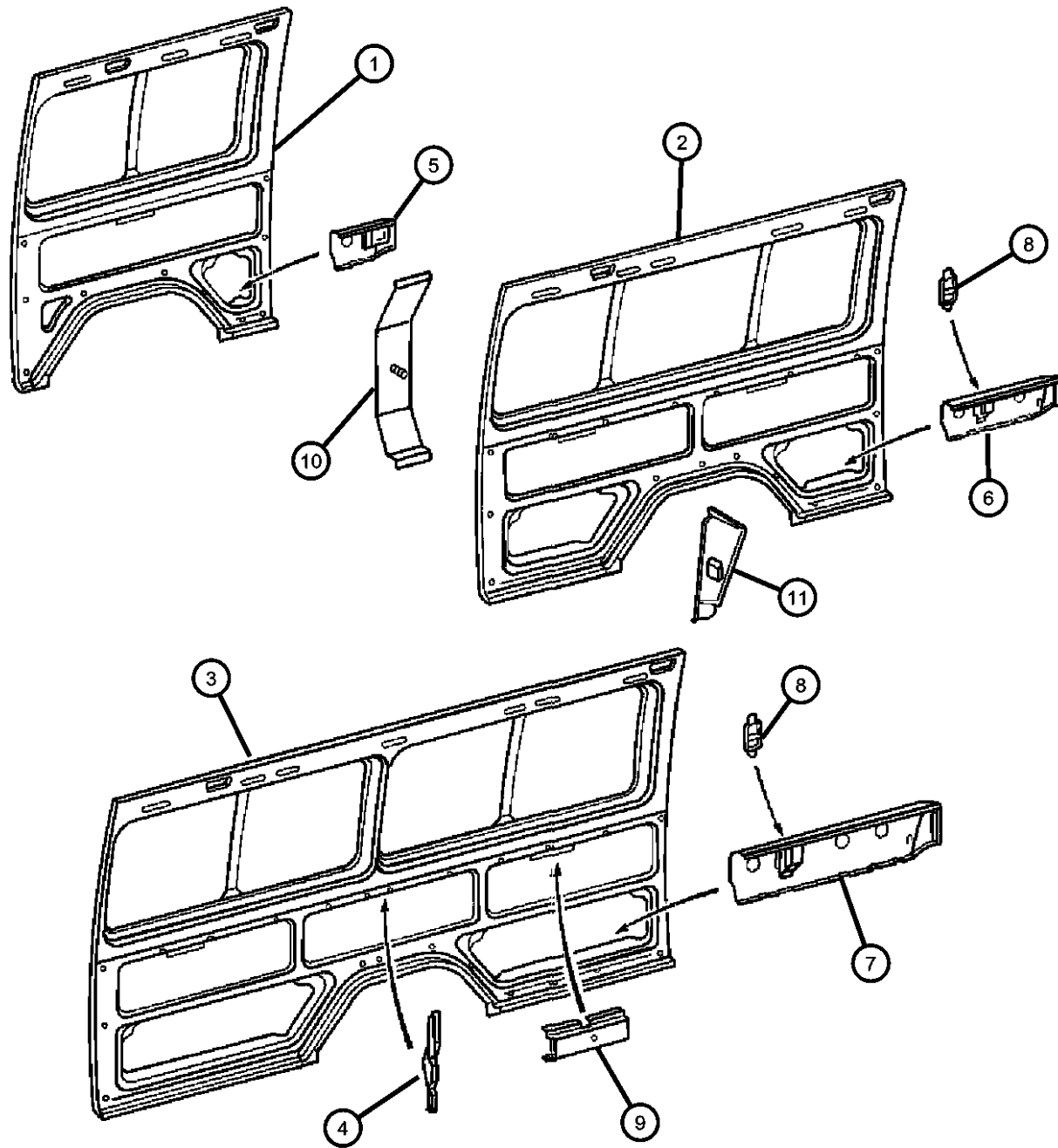
AR = use ase required - = Non illustrated part

2005 VA

Right Side Panels, Interior
Figure SVA-930

ITEM	PART NUMBER	QTY	LINE	SERIES	BODY	ENGINE	TRANS	TRIM	DESCRIPTION
------	-------------	-----	------	--------	------	--------	-------	------	-------------

	05129938AA	2	6, 2		11, 12, 14, 15, 16				
		2	2, 6		51, 52, 54, 55, 56				



SPRINTER (VA)

SERIES

L = LOWLINE

LINE

3 = HD DODGE 2WD
8 = HD DODGE 4WD
6 = Lt. Duty DODGE 4WD
2 = Med. Duty DODGE 2WD
7 = Med. Duty DODGE 4WD
4 = TRUCK

BODY

12 = Van 140"
51 = Wagon 118"
52 = Wagon 140"
14 = Van 118"
15 = Van 140"
16 = Van 158"
54 = Wagon 118"
55 = Wagon 140"
56 = Wagon 158"
01 = Chassis Forward Control
118"
02 = Chassis Forward Control
140"
06 = Front Section 158"
11 = Van 118"

ENGINE

EX8 = Engine - 2.7L I5
Mercedes-Benz TD

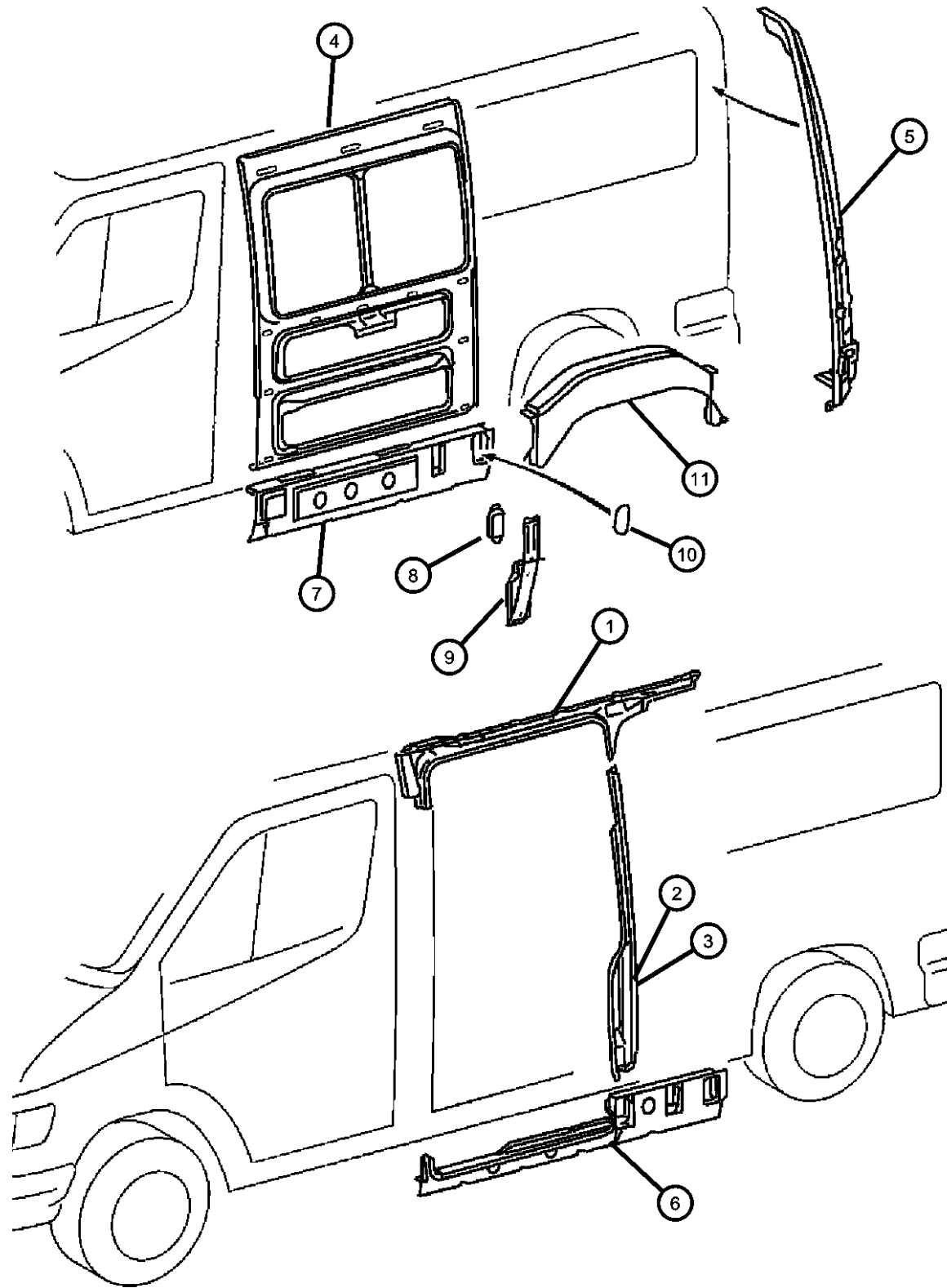
TRANSMISSION

DGJ = Transmission - 5-Spd Auto, MB

AR = use ase required - = Non illustrated part

2005 VA

**Left Side Cargo Door Pillars & Wheelhouse
Figure SVA-940**



ITEM	PART NUMBER	QTY	LINE	SERIES	BODY	ENGINE	TRANS	TRIM	DESCRIPTION
1									REINFORCEMENT, Body Side Aperture
	05121903AA	1	2, 6		11, 12, 14, 15, 16				
		1	2, 6		51, 52, 54, 55, 56				
		1	3, 7		12, 15, 16				
2									PILLAR, Side Cargo Door
	05121914AA	1	2, 6		11, 12, 14, 15, 16				
		1	2, 6		51, 52, 54, 55, 56				
		1	3, 7		12, 15, 16				
3									REINFORCEMENT, Quarter Inner
	05121706AA	1	2, 6		11, 12, 14, 15, 16				
		1	2, 6		51, 52, 54, 55, 56				
		1	3, 7		12, 15, 16				
4									PANEL, Body Side Front
	05104197AA	1	2, 6		11, 12, 14, 15, 16				
		1	2, 6		51, 52, 54, 55, 56				
		1	3, 7		12, 15, 16				
5									PILLAR, Rear Cargo Door Hinge
	05104177AA	1	2, 6		14, 15, 16				With High Roof
		1	2, 6		54, 55, 56				With High Roof
		1	3, 7		15, 16				With High Roof
	05121906AA	1	2, 6		11, 12				With Low Roof
		1	2, 6		51, 52				With Low Roof
		1	3, 7		12				With Low Roof
6									SUPPORT, Sill Reinforcement
	05121749AA	1	2, 6		11, 14				With 118 Inch Wheelbase

SPRINTER (VA)

SERIES

L = LOWLINE

LINE

3 = HD DODGE 2WD
 8 = HD DODGE 4WD
 6 = Lt. Duty DODGE 4WD
 2 = Med. Duty DODGE 2WD
 7 = Med. Duty DODGE 4WD
 4 = TRUCK

BODY

12 = Van 140"
 51 = Wagon 118"
 52 = Wagon 140"
 14 = Van 118"
 15 = Van 140"
 16 = Van 158"
 54 = Wagon 118"
 55 = Wagon 140"
 56 = Wagon 158"
 01 = Chassis Forward Control
 118"
 02 = Chassis Forward Control
 140"
 06 = Front Section 158"
 11 = Van 118"

ENGINE

EX8 = Engine - 2.7L I5
 Mercedes-Benz TD

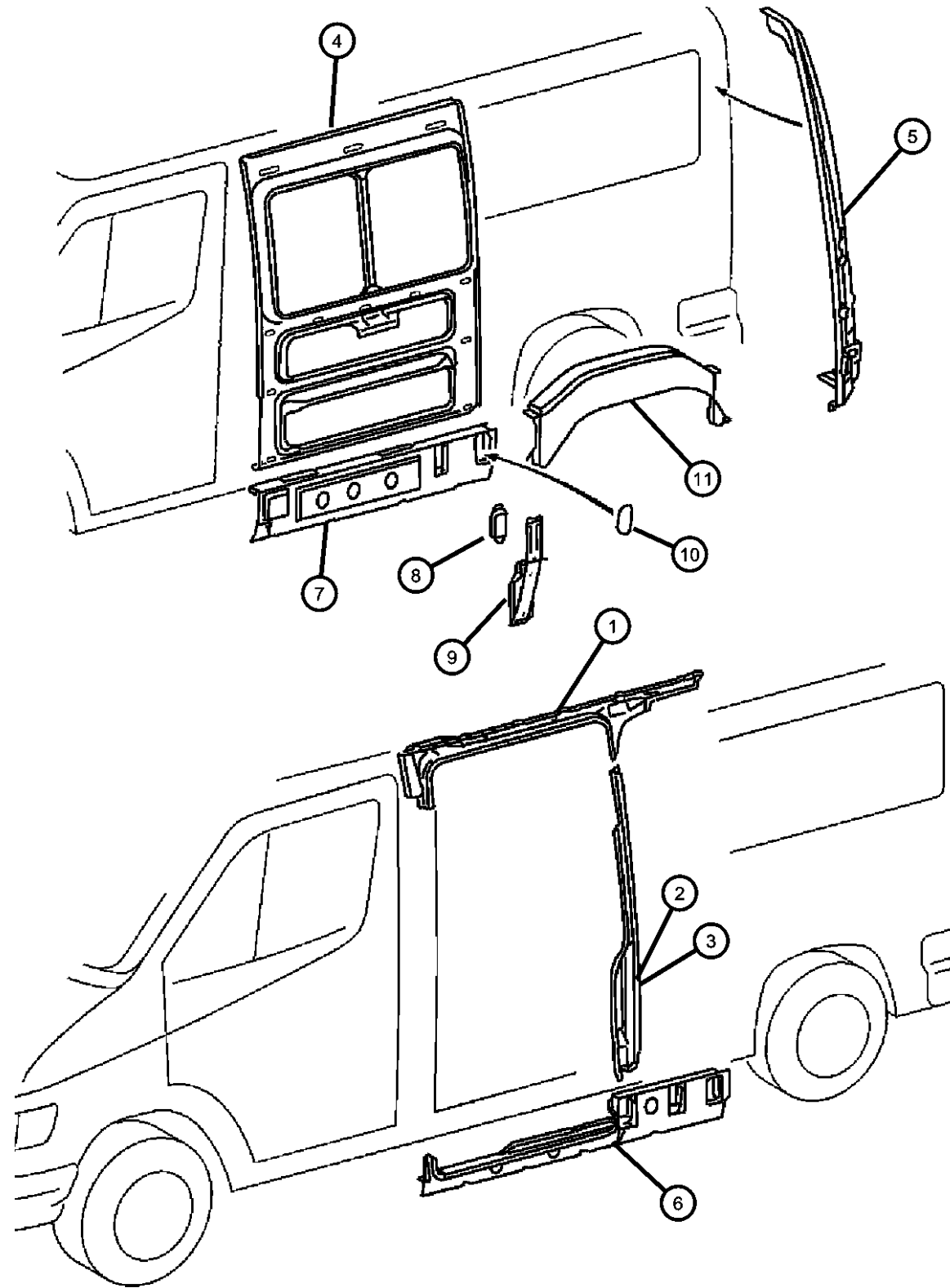
TRANSMISSION

DGJ = Transmission - 5-Spd Auto, MB

AR = use ase required - = Non illustrated part

2005 VA

**Left Side Cargo Door Pillars & Wheelhouse
Figure SVA-940**



ITEM	PART NUMBER	QTY	LINE	SERIES	BODY	ENGINE	TRANS	TRIM	DESCRIPTION
		1	2, 6		51, 54				With 118 Inch Wheelbase
	05121751AA	1	2, 6		12, 15				With 140 Inch Wheelbase
		1	2, 6		52, 55				With 140 Inch Wheelbase
	05121754AA	1	2, 6		16				With 158 Inch Wheelbase
		1	2, 6		56				With 158 Inch Wheelbase
	05121774AA	1	3, 7		12, 15				With 140 Inch Wheelbase
	05121778AA	1	3, 7		16				With 158 Inch Wheelbase
7									SUPPORT, Sill Reinforcement
	05104175AA	1	2, 6		16				With 158 Inch Wheelbase
		1	2, 6		56				With 158 Inch Wheelbase
	05121759AA	1	2, 6		11, 14				With 118 Inch Wheelbase
		1	2, 6		51, 54				With 118 Inch Wheelbase
	05121761AA	1	2, 6		12, 15				With 140 Inch Wheelbase
		1	2, 6		52, 55				With 140 Inch Wheelbase
	05121764AA	1	3, 7		12, 15				With 140 Inch Wheelbase
	05121769AA	1	3, 7		16				With 158 Inch Wheelbase
8									PLUG, Body
	05125519AA	1	2, 6		52, 55				
		1	7, 3		12, 15, 16				
		1	2, 6		12, 15				
		1	2, 6		11, 14				
		1	2, 6		51, 54				
9									REINFORCEMENT, Side Panel
	05104198AA	1	2, 6		12, 15				
		1	2, 6		52, 55				
		1	3, 7		12, 15, 16				
10									COVER, Sill
	05121838AA	1	3, 7		12, 15, 16				

SPRINTER (VA)

SERIES

L = LOWLINE

LINE

3 = HD DODGE 2WD
 8 = HD DODGE 4WD
 6 = Lt. Duty DODGE 4WD
 2 = Med. Duty DODGE 2WD
 7 = Med. Duty DODGE 4WD
 4 = TRUCK

BODY

12 = Van 140"
 51 = Wagon 118"
 52 = Wagon 140"
 14 = Van 118"
 15 = Van 140"
 16 = Van 158"
 54 = Wagon 118"
 55 = Wagon 140"
 56 = Wagon 158"
 01 = Chassis Forward Control
 118"
 02 = Chassis Forward Control
 140"
 06 = Front Section 158"
 11 = Van 118"

ENGINE

EX8 = Engine - 2.7L I5
 Mercedes-Benz TD

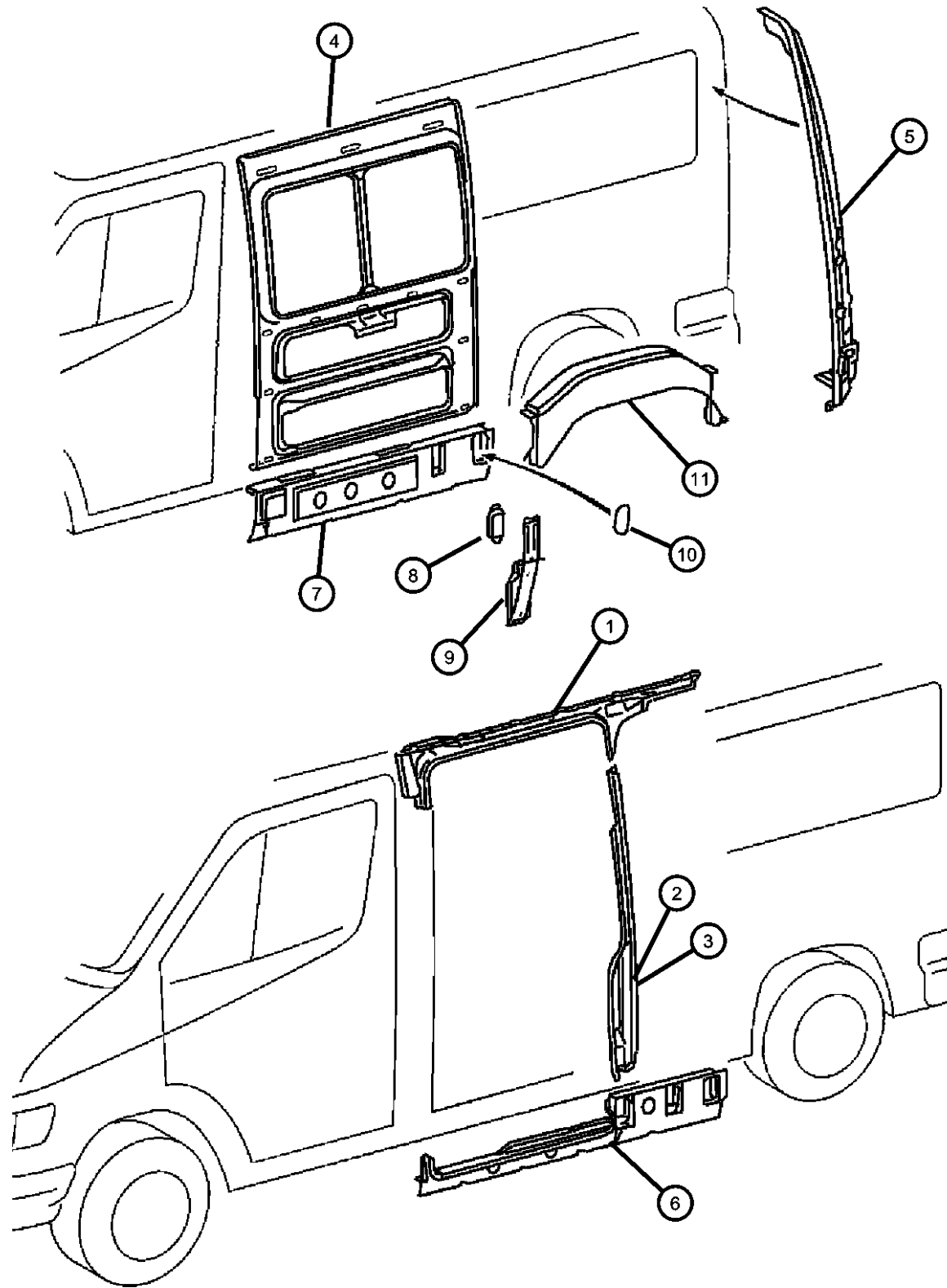
TRANSMISSION

DGJ = Transmission - 5-Spd Auto, MB

AR = use ase required - = Non illustrated part

2005 VA

**Left Side Cargo Door Pillars & Wheelhouse
Figure SVA-940**



ITEM	PART NUMBER	QTY	LINE	SERIES	BODY	ENGINE	TRANS	TRIM	DESCRIPTION
------	-------------	-----	------	--------	------	--------	-------	------	-------------

		1	2, 6		11, 12, 14, 15, 16				
		1	2, 6		51, 52, 54, 55, 56				
11									WHEELHOUSE
	05121862AA	1	2, 6		11, 12, 14, 15, 16				
		1	2, 6		51, 52, 54, 55, 56				
	05121865AA	1	3, 7		12, 15, 16				

SPRINTER (VA)

SERIES

L = LOWLINE

LINE

3 = HD DODGE 2WD
 8 = HD DODGE 4WD
 6 = Lt. Duty DODGE 4WD
 2 = Med. Duty DODGE 2WD
 7 = Med. Duty DODGE 4WD
 4 = TRUCK

BODY

12 = Van 140"
 51 = Wagon 118"
 52 = Wagon 140"
 14 = Van 118"
 15 = Van 140"
 16 = Van 158"
 54 = Wagon 118"
 55 = Wagon 140"
 56 = Wagon 158"
 01 = Chassis Forward Control
 118"
 02 = Chassis Forward Control
 140"
 06 = Front Section 158"
 11 = Van 118"

ENGINE

EX8 = Engine - 2.7L I5
 Mercedes-Benz TD

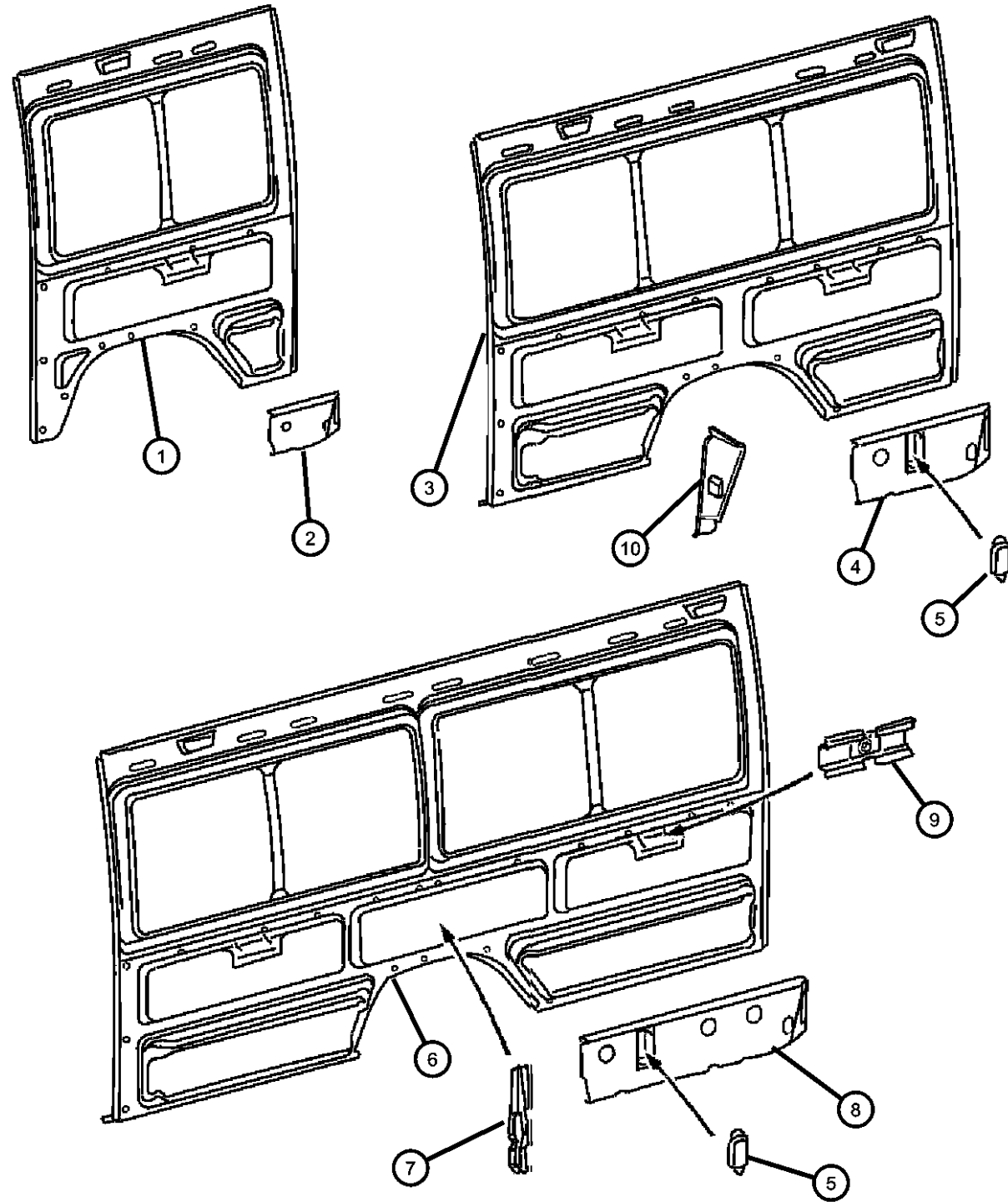
TRANSMISSION

DGJ = Transmission - 5-Spd Auto, MB

AR = use ase required - = Non illustrated part

2005 VA

Left Side Panels, Cargo
Figure SVA-950



ITEM	PART NUMBER	QTY	LINE	SERIES	BODY	ENGINE	TRANS	TRIM	DESCRIPTION
1									PANEL, Body Side Rear, With 118 Inch Wheelbase
	05121888AA	1	2, 6		11, 14				
		1	2, 6		51, 54				
2									SUPPORT, With 118 Inch Wheelbase
	05121737AA	1	2, 6		11, 14				
		1	2, 6		51, 54				
3									PANEL, Body Side Rear, With 140 Inch Wheelbase
	05121890AA	1	2, 6		12, 15				
		1	2, 6		52, 55				
		1	3, 7		12, 15				
4									SUPPORT, With 140 & 158 Inch Wheelbase
	05121741AA	1	2, 6		52, 55				
		1	3, 7		12, 15				
		1	2, 6		12, 15				
5									PLUG, Body, With 140 Inch Wheelbase
	05125519AA	1	2, 6		11, 14				
		1	2, 6		12, 15				
		1	2, 6		51, 54				
		1	2, 6		52, 55				
		1	3, 7		12, 15, 16				
6									PANEL, Body Side Rear, With 158 Inch Wheelbase
	05104202AA	1	2, 6		16				
		1	2, 6		56				
		1	3, 7		16				
7									REINFORCEMENT, Quarter Inner, With 158 Inch Wheelbase

SPRINTER (VA)

SERIES

L = LOWLINE

LINE

3 = HD DODGE 2WD
8 = HD DODGE 4WD
6 = Lt. Duty DODGE 4WD
2 = Med. Duty DODGE 2WD
7 = Med. Duty DODGE 4WD
4 = TRUCK

BODY

12 = Van 140"
51 = Wagon 118"
52 = Wagon 140"
14 = Van 118"
15 = Van 140"
16 = Van 158"
54 = Wagon 118"
55 = Wagon 140"
56 = Wagon 158"
01 = Chassis Forward Control 118"
02 = Chassis Forward Control 140"
06 = Front Section 158"
11 = Van 118"

ENGINE

EX8 = Engine - 2.7L I5
Mercedes-Benz TD

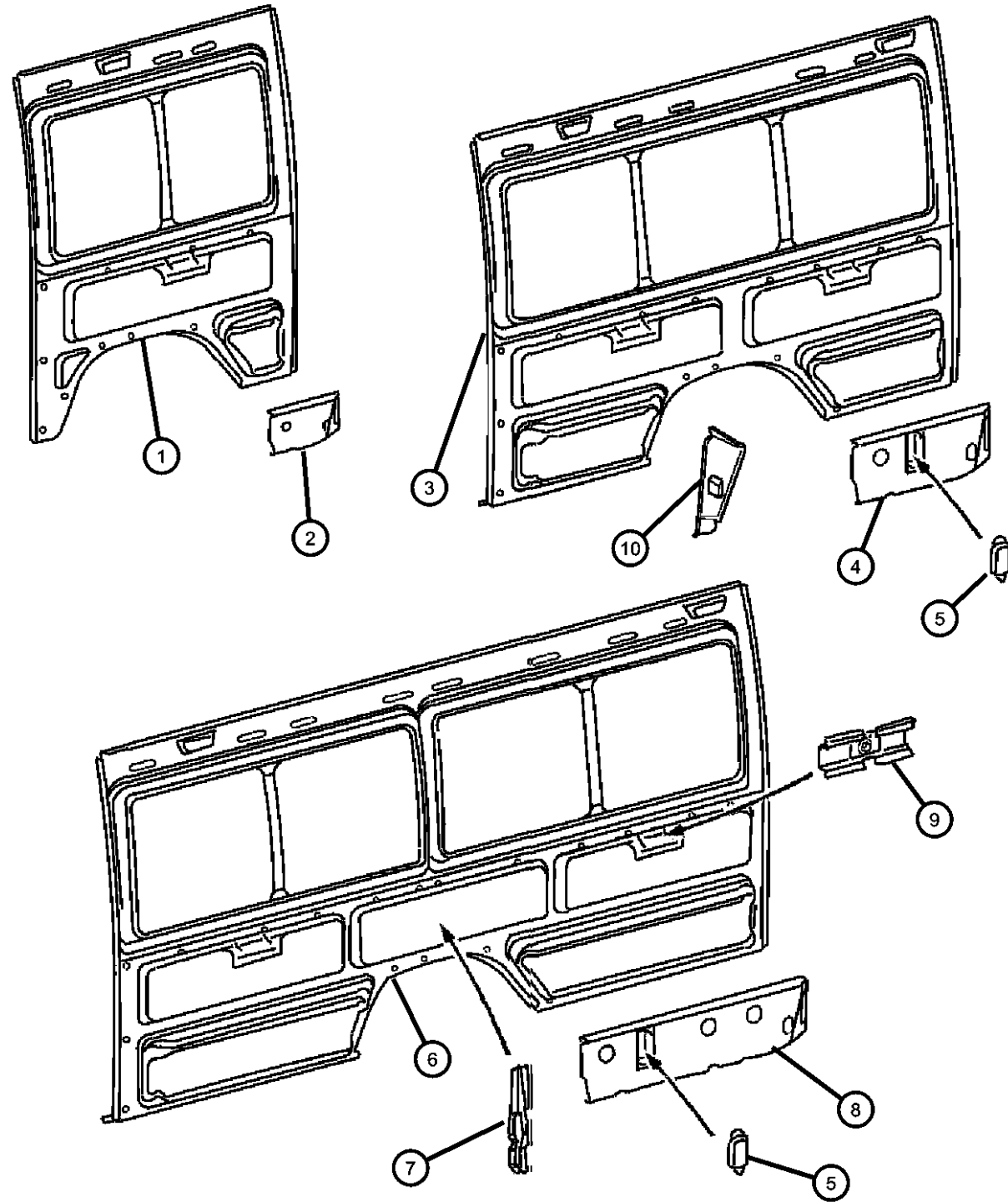
TRANSMISSION

DGJ = Transmission - 5-Spd Auto, MB

AR = use ase required - = Non illustrated part

2005 VA

Left Side Panels, Cargo
Figure SVA-950



ITEM	PART NUMBER	QTY	LINE	SERIES	BODY	ENGINE	TRANS	TRIM	DESCRIPTION
8	05121799AA	1	2, 6		11, 12, 14, 15, 16				SUPPORT, With 158 Inch Wheelbase
		1	2, 6		51, 52, 54, 55, 56				
		1	3, 7		12, 15, 16				
9	05121745AA	1	2, 6		16				REINFORCEMENT, Side Panel, With 158 Inch Wheelbase
		1	2, 6		56				
		1	3, 7		16				
10	05131057AA	2	2, 6		11, 12, 14, 15, 16				REINFORCEMENT, Side Panel, With 158 Inch Wheelbase
		2	2, 6		51, 52, 54, 55, 56				
10	05129937AA	2	2, 6		51, 52, 54, 55, 56				PANEL, Rear Side
		2	2, 6		11, 12, 14, 15, 16				

SPRINTER (VA)

SERIES

L = LOWLINE

LINE

3 = HD DODGE 2WD
 8 = HD DODGE 4WD
 6 = Lt. Duty DODGE 4WD
 2 = Med. Duty DODGE 2WD
 7 = Med. Duty DODGE 4WD
 4 = TRUCK

BODY

12 = Van 140"
 51 = Wagon 118"
 52 = Wagon 140"
 14 = Van 118"
 15 = Van 140"
 16 = Van 158"
 54 = Wagon 118"
 55 = Wagon 140"
 56 = Wagon 158"
 01 = Chassis Forward Control
 118"
 02 = Chassis Forward Control
 140"
 06 = Front Section 158"
 11 = Van 118"

ENGINE

EX8 = Engine - 2.7L I5
 Mercedes-Benz TD

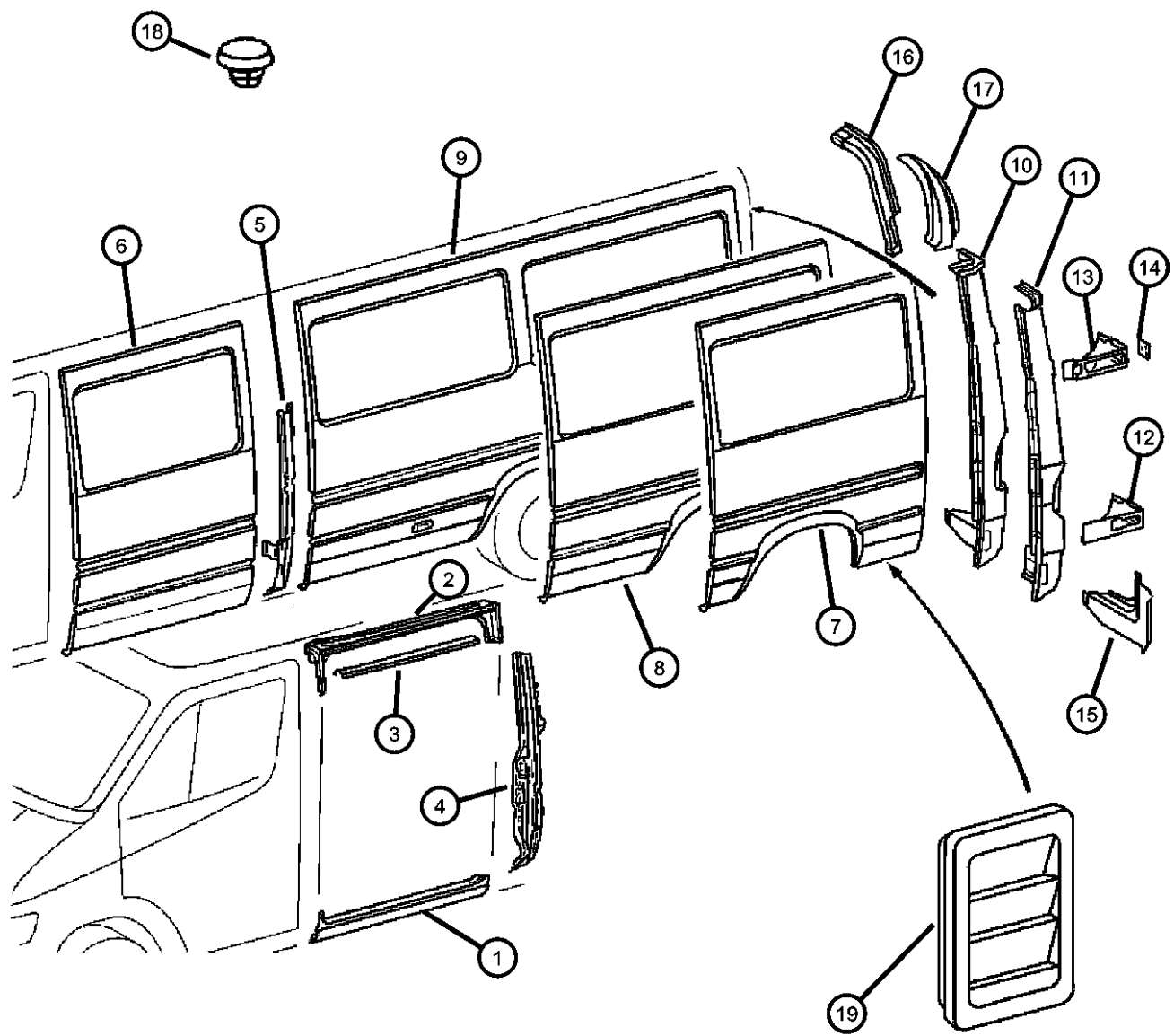
TRANSMISSION

DGJ = Transmission - 5-Spd Auto, MB

AR = use ase required - = Non illustrated part

2005 VA

**Left Side Panels, Exterior
Figure SVA-960**



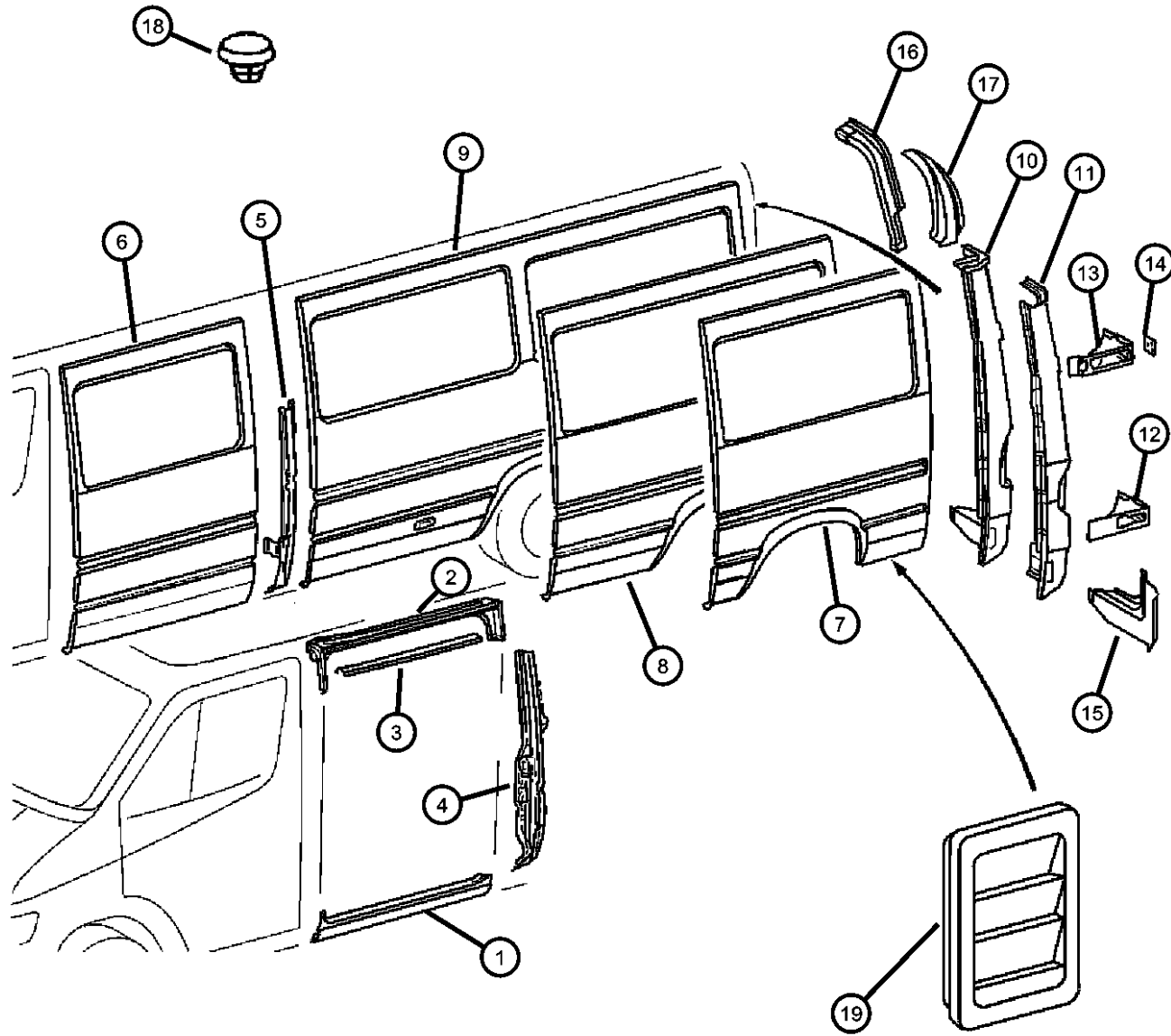
ITEM	PART NUMBER	QTY	LINE	SERIES	BODY	ENGINE	TRANS	TRIM	DESCRIPTION
1	05121937AA	1	2, 6		11, 12, 14, 15, 16				PANEL, Sill
		1	2, 6		51, 52, 54, 55, 56				
		1	3, 7		12, 15, 16				
2	05121682AA	1	2, 6		11, 12, 14, 15, 16				PANEL, Cargo Compartment, Upper
		1	2, 6		51, 52, 54, 55, 56				
		1	3, 7		12, 15, 16				
3	05122035AA	1	2, 6		11, 12, 14, 15, 16				TRACK, Sliding Door
		1	2, 6		51, 52, 54, 55, 56				
		1	3, 7		12, 15, 16				
4	05121696AA	1	2, 6		12, 15				PILLAR, Side Cargo Door With 140 & 158 Inch Wheelbase
		1	2, 6		52, 55				With 140 & 158 Inch Wheelbase
		1	3, 7		12, 15				With 140 & 158 Inch Wheelbase
	05131051AA	1	2, 6		51, 54				With 118 Inch Wheelbase
	05131053AA	1	2, 6		11, 14				With 118 Inch Wheelbase
5	05104168AA	1	2, 6		11, 14				PILLAR, Side Cargo Door With 118 Inch Wheelbase
		1	2, 6		51, 54				With 118 Inch Wheelbase
	05104170AA	1	2, 6		12, 15				With 140 & 158 Inch Wheelbase
		1	2, 6		52, 55				With 140 & 158 Inch Wheelbase
		1	3, 7		12, 15				With 140 & 158 Inch Wheelbase
6									PANEL, Body Side Front

SPRINTER (VA)

SERIES	LINE	BODY	ENGINE	TRANSMISSION
L = LOWLINE	3 = HD DODGE 2WD 8 = HD DODGE 4WD 6 = Lt. Duty DODGE 4WD 2 = Med. Duty DODGE 2WD 7 = Med. Duty DODGE 4WD 4 = TRUCK	12 = Van 140" 51 = Wagon 118" 52 = Wagon 140" 14 = Van 118" 15 = Van 140" 16 = Van 158" 54 = Wagon 118" 55 = Wagon 140" 56 = Wagon 158" 01 = Chassis Forward Control 118" 02 = Chassis Forward Control 140" 06 = Front Section 158" 11 = Van 118"	EX8 = Engine - 2.7L I5 Mercedes-Benz TD	DGJ = Transmission - 5-Spd Auto, MB

AR = use ase required - = Non illustrated part

**Left Side Panels, Exterior
Figure SVA-960**



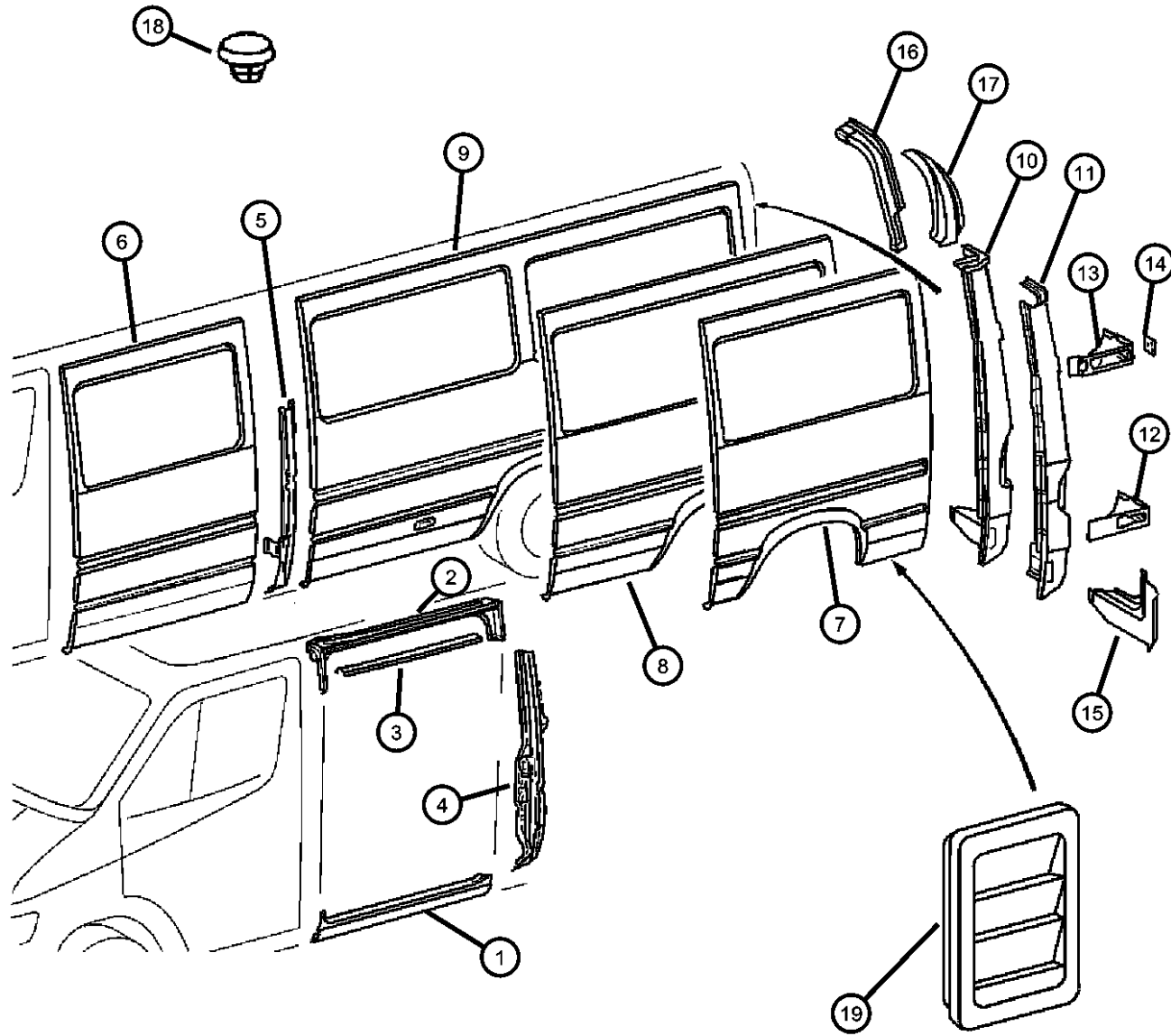
ITEM	PART NUMBER	QTY	LINE	SERIES	BODY	ENGINE	TRANS	TRIM	DESCRIPTION
	05104205AA	1	2, 6		11, 12, 14, 15, 16				
		1	2, 6		51, 52, 54, 55, 56				
		1	3, 7		12, 15, 16				
7									PANEL, Body Side Rear, With 118 Inch Wheelbase
	05104212AA	1	2, 6		11, 14				
		1	2, 6		51, 54				
8									PANEL, Body Side Rear, With 140 Inch Wheelbase
	05121941AA	1	2, 6		12, 15				
	05121948AA	1	2, 6		52, 55				
	05121990AA	1	3, 7		12, 15				
	05131158AA	1	2, 6		12, 15				With 16x6 Steel Wheels
	05131164AA	1	6, 2		52, 55				With 16x6 Steel Wheels
9									PANEL, Body Side Rear, With 158 Inch Wheelbase
	05104219AA	1	2, 6		16				
		1	2, 6		56				
	05121995AA	1	3, 7		16				
	05131170AA	1	2, 6		16				With 16x6 Steel Wheels
	05131176AA	1	2, 6		56				With 16x6 Steel Wheels
10									PANEL, D Pillar
	05104172AA	1	2, 6		11, 12				Low Roof
		1	2, 6		51, 52				Low Roof
		1	3, 7		12				Low Roof
	05104174AA	1	2, 6		14, 15, 16				High Roof
		1	2, 6		54, 55, 56				High Roof
		1	3, 7		15, 16				
11									PANEL, D Pillar

SPRINTER (VA)

SERIES	LINE	BODY	ENGINE	TRANSMISSION
L = LOWLINE	3 = HD DODGE 2WD 8 = HD DODGE 4WD 6 = Lt. Duty DODGE 4WD 2 = Med. Duty DODGE 2WD 7 = Med. Duty DODGE 4WD 4 = TRUCK	12 = Van 140" 51 = Wagon 118" 52 = Wagon 140" 14 = Van 118" 15 = Van 140" 16 = Van 158" 54 = Wagon 118" 55 = Wagon 140" 56 = Wagon 158" 01 = Chassis Forward Control 118" 02 = Chassis Forward Control 140" 06 = Front Section 158" 11 = Van 118"	EX8 = Engine - 2.7L I5 Mercedes-Benz TD	DGJ = Transmission - 5-Spd Auto, MB

AR = use ase required - = Non illustrated part

**Left Side Panels, Exterior
Figure SVA-960**



ITEM	PART NUMBER	QTY	LINE	SERIES	BODY	ENGINE	TRANS	TRIM	DESCRIPTION
	05104206AA	1	2, 6		11, 12				
		1	2, 6		51, 52				
		1	2, 6		54, 55, 56				
		1	3, 7		12				
12									REINFORCEMENT, Rear door hinge
	05122031AA	1	2, 6		11, 12, 14, 15, 16				
		1	2, 6		51, 52, 54, 55, 56				
		1	3, 7		12, 15, 16				
13									REINFORCEMENT, Rear door hinge
	05122032AA	1	2, 6		11, 12, 14, 15, 16				
		1	2, 6		51, 52, 54, 55, 56				
		1	3, 7		12, 15, 16				
14									PLATE, Rear Door Hinge
	05104188AA	2	2, 6		11, 12, 14, 15, 16				
		2	2, 6		51, 52, 54, 55, 56				
		2	3, 7		12, 15, 16				
15									EXTENSION, D Pillar Lower
	05104207AA	1	2, 6		11, 12, 14, 15, 16				
		1	2, 6		51, 52, 54, 55, 56				
		1	3, 7		12, 15, 16				
16									EXTENSION, D Pillar Upper
	05121988AA	1	2, 6		14, 15, 16				
		1	2, 6		54, 55, 56				

SPRINTER (VA)

SERIES

L = LOWLINE

LINE

3 = HD DODGE 2WD
 8 = HD DODGE 4WD
 6 = Lt. Duty DODGE 4WD
 2 = Med. Duty DODGE 2WD
 7 = Med. Duty DODGE 4WD
 4 = TRUCK

BODY

12 = Van 140"
 51 = Wagon 118"
 52 = Wagon 140"
 14 = Van 118"
 15 = Van 140"
 16 = Van 158"
 54 = Wagon 118"
 55 = Wagon 140"
 56 = Wagon 158"
 01 = Chassis Forward Control 118"
 02 = Chassis Forward Control 140"
 06 = Front Section 158"
 11 = Van 118"

ENGINE

EX8 = Engine - 2.7L I5
 Mercedes-Benz TD

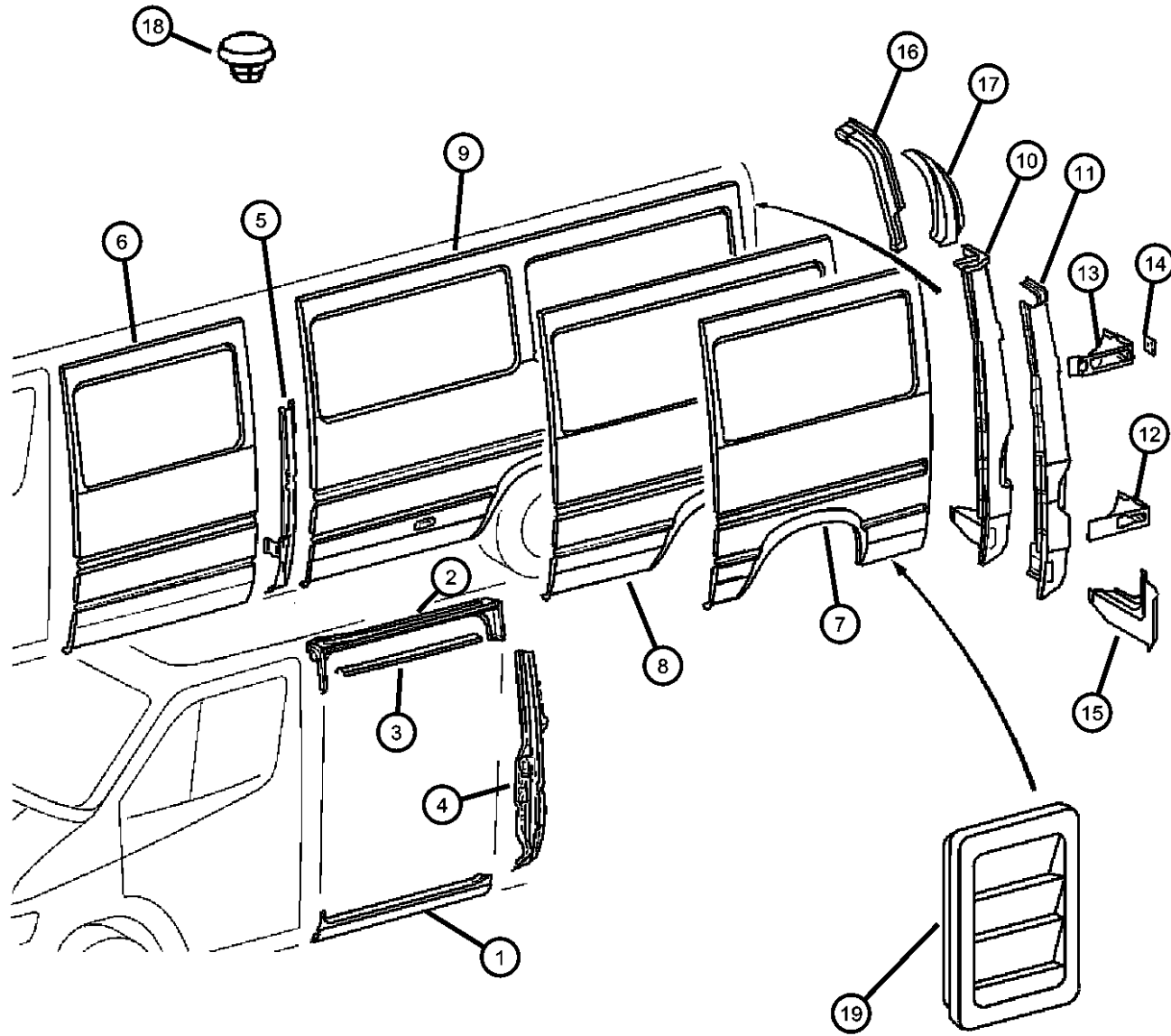
TRANSMISSION

DGJ = Transmission - 5-Spd Auto, MB

AR = use ase required - = Non illustrated part

2005 VA

**Left Side Panels, Exterior
Figure SVA-960**



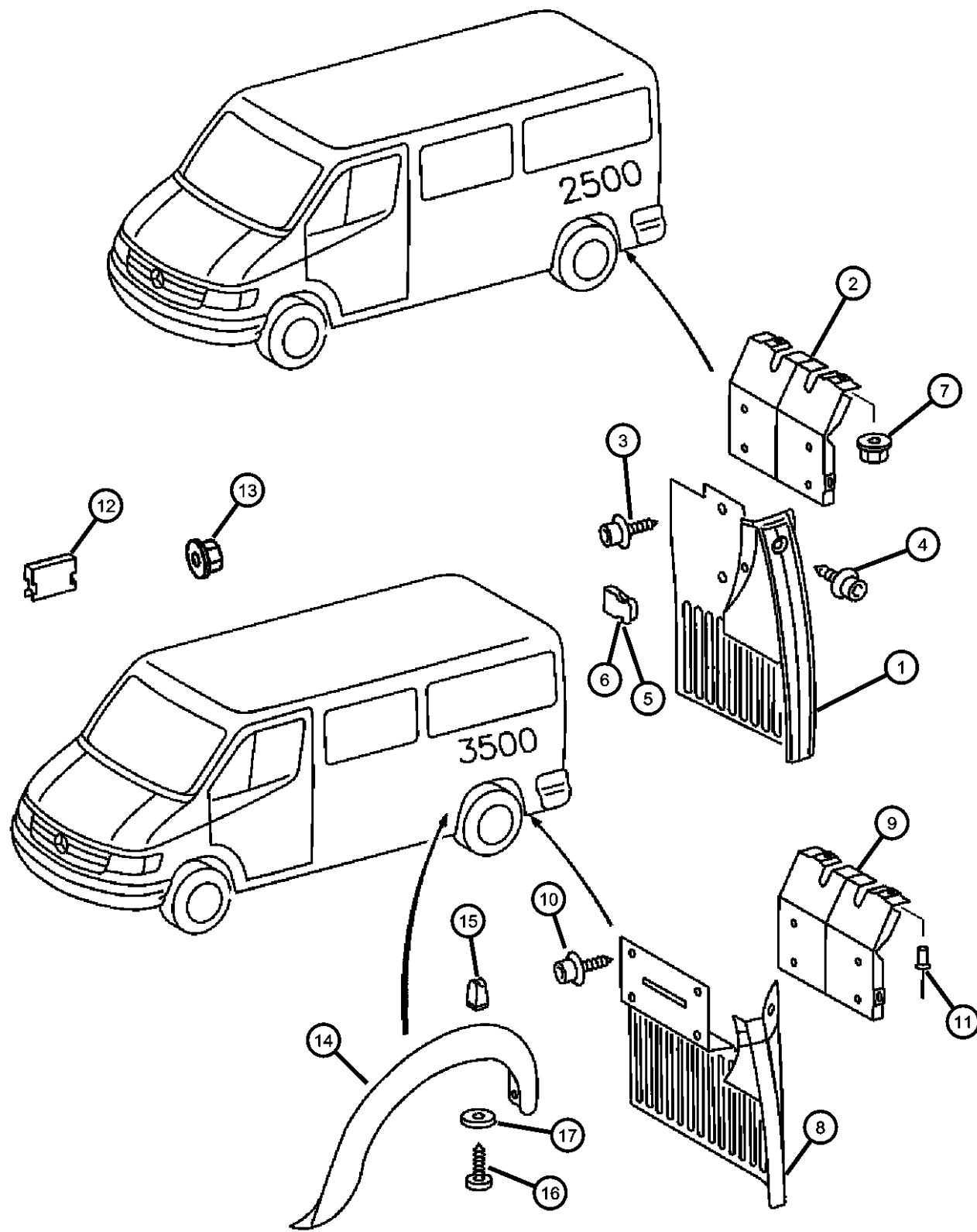
ITEM	PART NUMBER	QTY	LINE	SERIES	BODY	ENGINE	TRANS	TRIM	DESCRIPTION
17		1	3, 7		15, 16				PANEL, D Pillar Trim
	05122050AA	1	2, 6		14, 15, 16				
		1	2, 6		54, 55, 56				
18		1	3, 7		15, 16				PLUG, Expansion
	05133657AA	1	2, 6		11, 12, 14, 15, 16				
		1	2, 6		51, 52, 54, 55, 56				
19		1	3, 7		12, 15, 16				EXHAUSTER, Quarter Panel
	05104472AA	2	2, 6		01, 02, 06				
		2	2, 6		11, 12, 14, 15, 16				
		2	2, 6		51, 52, 54, 55, 56				
		2	3, 7		02, 06				
		2	3, 7		12, 15, 16				

SPRINTER (VA)

SERIES	LINE	BODY	ENGINE	TRANSMISSION
L = LOWLINE	3 = HD DODGE 2WD 8 = HD DODGE 4WD 6 = Lt. Duty DODGE 4WD 2 = Med. Duty DODGE 2WD 7 = Med. Duty DODGE 4WD 4 = TRUCK	12 = Van 140" 51 = Wagon 118" 52 = Wagon 140" 14 = Van 118" 15 = Van 140" 16 = Van 158" 54 = Wagon 118" 55 = Wagon 140" 56 = Wagon 158" 01 = Chassis Forward Control 118" 02 = Chassis Forward Control 140" 06 = Front Section 158" 11 = Van 118"	EX8 = Engine - 2.7L I5 Mercedes-Benz TD	DGJ = Transmission - 5-Spd Auto, MB

AR = use ase required - = Non illustrated part

Rear Splash Shield
Figure SVA-970

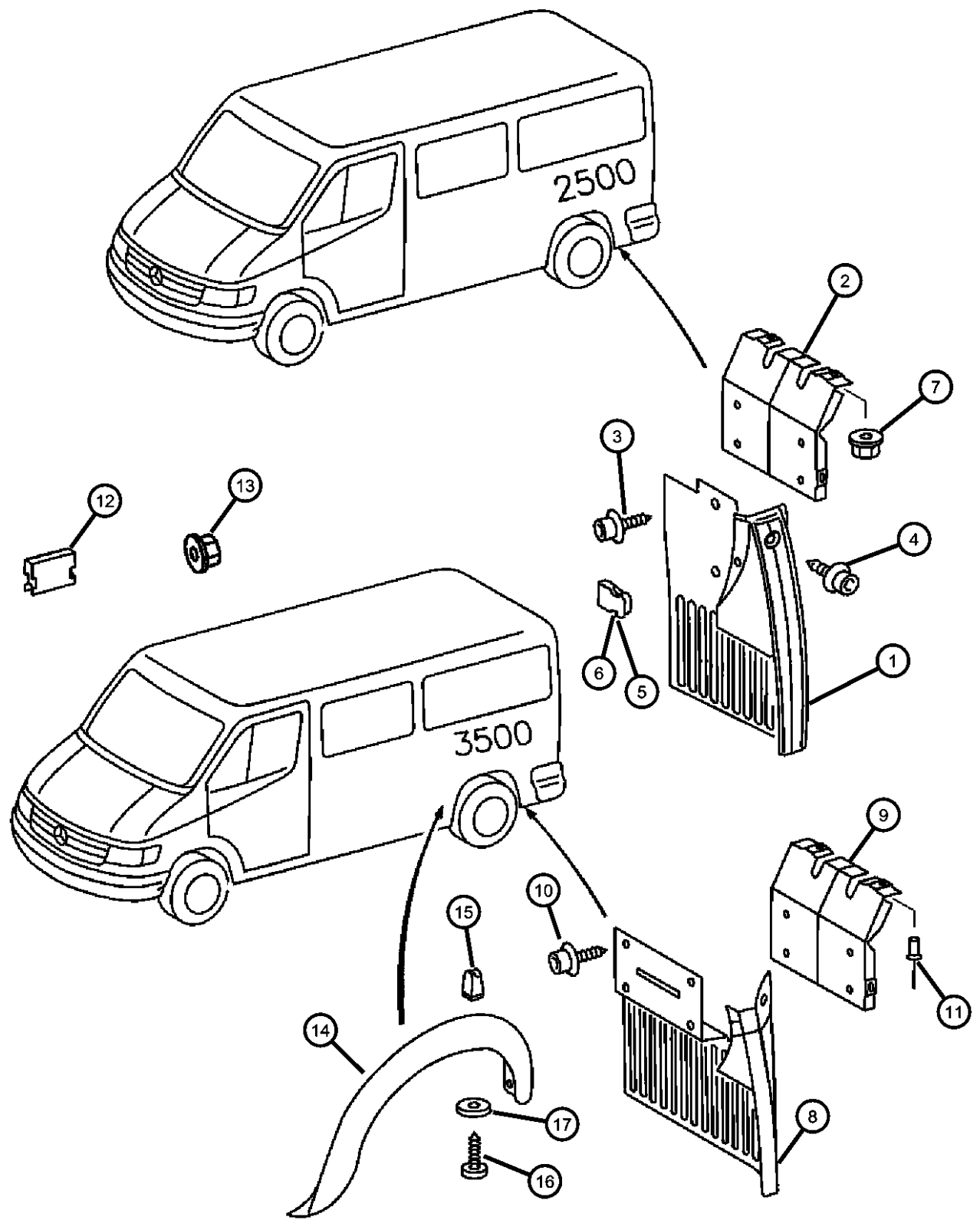


ITEM	PART NUMBER	QTY	LINE	SERIES	BODY	ENGINE	TRANS	TRIM	DESCRIPTION
1									GUARD, Splash
	05104518AA	1	2, 6		01, 02, 06				With 15 Inch Wheels, Left
		1	2, 6		11, 12, 14, 15, 16				With 15 Inch Wheels, Left
		1	2, 6		51, 52, 54, 55, 56				With 15 Inch Wheels, Left
		1	3, 7		02, 06				With 15 Inch Wheels, Left
		1	3, 7		12, 15, 16				With 15 Inch Wheels, Left
	05104521AA	1	2, 6		01, 02, 06				With 15 Inch Wheels, Right
		1	2, 6		11, 12, 14, 15, 16				With 15 Inch Wheels, Right
		1	2, 6		51, 52, 54, 55, 56				With 15 Inch Wheels, Right
		1	3, 7		02, 06				With 15 Inch Wheels, Right
		1	3, 7		12, 15, 16				With 15 Inch Wheels, Right
	05125152AA	1	3, 7		12, 15, 16				Left
	05125153AA	1	3, 7		12, 15, 16				Right
	05132505AA	1	2, 6		11, 12, 14, 15, 16				With 16x6 Steel Wheels, Left
		1	2, 6		51, 52, 54, 55, 56				With 16x6 Steel Wheels, Left
	05132507AA	1	2, 6		11, 12, 14, 15, 16				With 16x6 Steel Wheels, Right
		1	2, 6		51, 52, 54, 55, 56				With 16x6 Steel Wheels, Right
2									BRACKET
	05104520AA	1	2, 6		11, 12, 14, 15, 16				Left
		1	2, 6		51, 52, 54, 55, 56				Left
	05104522AA	1	2, 6		11, 12, 14, 15, 16				Right
		1	2, 6		51, 52, 54, 55, 56				Right
3									SCREW

SPRINTER (VA)
SERIES **LINE** **BODY** **ENGINE** **TRANSMISSION**
L = LOWLINE 3 = HD DODGE 2WD 12 = Van 140" EX8 = Engine - 2.7L I5 DGJ = Transmission - 5-Spd Auto, MB
 8 = HD DODGE 4WD 51 = Wagon 118" Mercedes-Benz TD
 6 = Lt. Duty DODGE 4WD 52 = Wagon 140"
 2 = Med. Duty DODGE 2WD 14 = Van 118"
 7 = Med. Duty DODGE 4WD 15 = Van 140"
 4 = TRUCK 16 = Van 158"
 54 = Wagon 118"
 55 = Wagon 140"
 56 = Wagon 158"
 01 = Chassis Forward Control 118"
 02 = Chassis Forward Control 140"
 06 = Front Section 158"
 11 = Van 118"

AR = use ase required - = Non illustrated part

Rear Splash Shield
Figure SVA-970



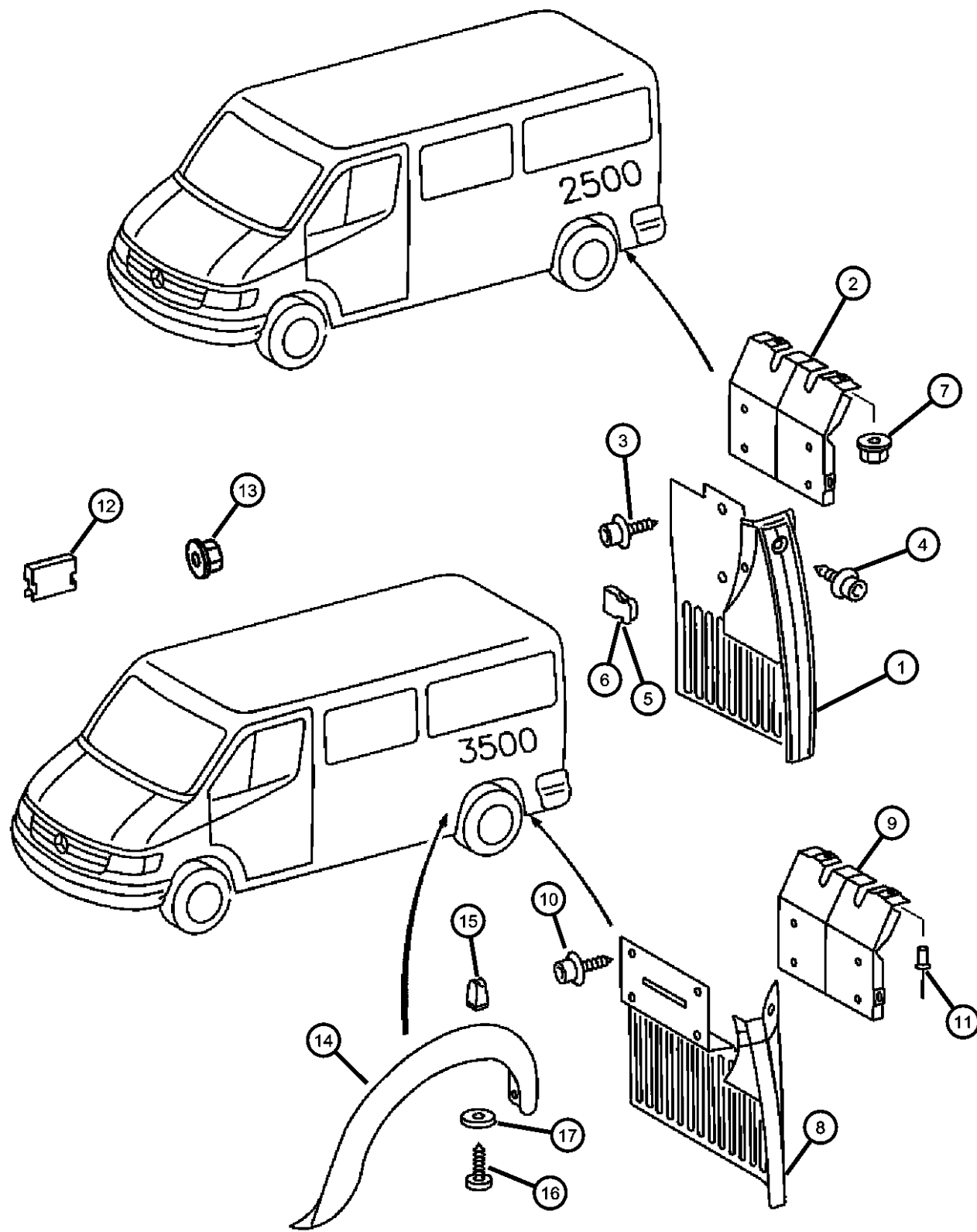
ITEM	PART NUMBER	QTY	LINE	SERIES	BODY	ENGINE	TRANS	TRIM	DESCRIPTION
	06104581AA	7	2, 6		01, 02, 06				
		7	2, 6		11, 12, 14, 15, 16				
		7	2, 6		51, 52, 54, 55, 56				
		7	3, 7		02, 06				
		7	3, 7		12, 15, 16				
4	06104581AA	2	2, 6		01, 02, 06				SCREW
		2	2, 6		11, 12, 14, 15, 16				
		2	3, 7		12, 15, 16				
		2	2, 6		51, 52, 54, 55, 56				
		2	3, 7		02, 06				
5	05103875AA	2	2, 6		11, 12, 14, 15, 16				CLIP
		2	2, 6		51, 52, 54, 55, 56				
6	05132726AA	2	2, 6		11, 12, 14, 15, 16				CLIP
		2	2, 6		51, 52, 54, 55, 56				
7	06104911AA	2	2, 6		11, 12, 14, 15, 16				NUT, Hex
		1	2, 6		01, 02, 06				
		2	3, 7		12, 15, 16				
		2	2, 6		51, 52, 54, 55, 56				
		1	3, 7		02, 06				

SPRINTER (VA)

SERIES	LINE	BODY	ENGINE	TRANSMISSION
L = LOWLINE	3 = HD DODGE 2WD 8 = HD DODGE 4WD 6 = Lt. Duty DODGE 4WD 2 = Med. Duty DODGE 2WD 7 = Med. Duty DODGE 4WD 4 = TRUCK	12 = Van 140" 51 = Wagon 118" 52 = Wagon 140" 14 = Van 118" 15 = Van 140" 16 = Van 158" 54 = Wagon 118" 55 = Wagon 140" 56 = Wagon 158" 01 = Chassis Forward Control 118" 02 = Chassis Forward Control 140" 06 = Front Section 158" 11 = Van 118"	EX8 = Engine - 2.7L I5 Mercedes-Benz TD	DGJ = Transmission - 5-Spd Auto, MB

AR = use ase required - = Non illustrated part

Rear Splash Shield
Figure SVA-970



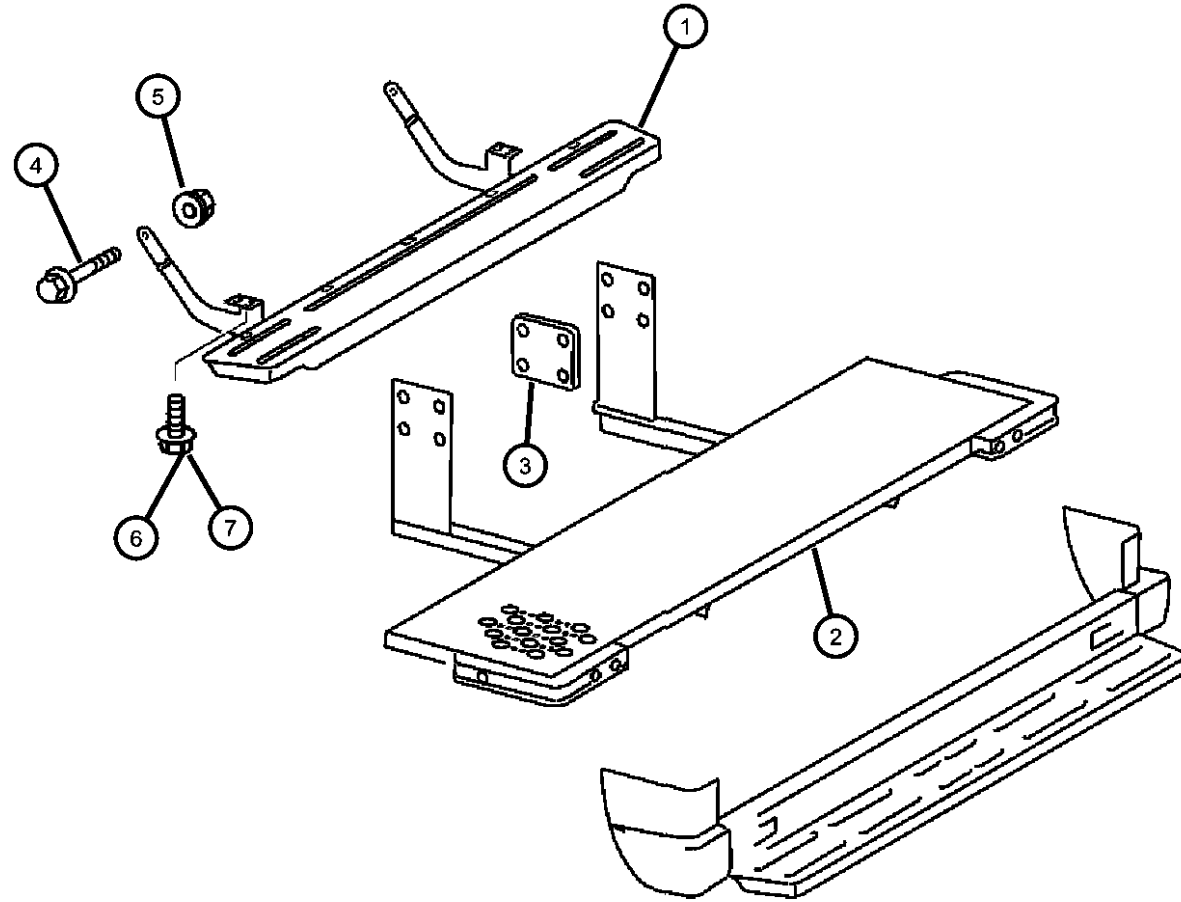
ITEM	PART NUMBER	QTY	LINE	SERIES	BODY	ENGINE	TRANS	TRIM	DESCRIPTION
8									GUARD, Splash
	05125152AA	1	3, 7		12, 15, 16				Left
	05125153AA	1	3, 7		12, 15, 16				Right
9	05125158AA	2	3, 7		12, 15, 16				BRACKET Right & Left
10	06104581AA	8	3, 7		12, 15, 16				SCREW
11	06104871AA	4	3, 7		12, 15, 16				RIVET
12	05125567AA	4	3, 7		12, 15, 16				CLIP
13	06104911AA	2	3, 7		12, 15, 16				NUT, Hex
14	05125142AA	2	3, 7		12, 15, 16				MOLDING, Wheel Opening Flare
15	05098837AA	16	3, 7		12, 15, 16				NUT, Plastic Snap-in
16	06104614AA	16	3, 7		12, 15, 16				SCREW
17	05104639AA	16	3, 7		12, 15, 16				WASHER

SPRINTER (VA)

SERIES	LINE	BODY	ENGINE	TRANSMISSION
L = LOWLINE	3 = HD DODGE 2WD 8 = HD DODGE 4WD 6 = Lt. Duty DODGE 4WD 2 = Med. Duty DODGE 2WD 7 = Med. Duty DODGE 4WD 4 = TRUCK	12 = Van 140" 51 = Wagon 118" 52 = Wagon 140" 14 = Van 118" 15 = Van 140" 16 = Van 158" 54 = Wagon 118" 55 = Wagon 140" 56 = Wagon 158" 01 = Chassis Forward Control 118" 02 = Chassis Forward Control 140" 06 = Front Section 158" 11 = Van 118"	EX8 = Engine - 2.7L I5 Mercedes-Benz TD	DGJ = Transmission - 5-Spd Auto, MB

AR = use ase required - = Non illustrated part

Rear Step Panel
Figure SVA-980



ITEM	PART NUMBER	QTY	LINE	SERIES	BODY	ENGINE	TRANS	TRIM	DESCRIPTION
1									BUMPER, Step
	05104132AA	1	2, 6		12, 15				With 140 & 158 Inch Wheelbase
		1	2, 6		52, 55				With 140 & 158 Inch Wheelbase
	05120038AA	1	3, 7		12, 15				With 140 Inch Wheelbase
	05120040AA	1	3, 7		16				With 158 Inch Wheelbase
	05104133AA	1	2, 6		11, 14				With 118 Inch Wheelbase
		1	2, 6		51, 54				With 118 Inch Wheelbase
2									BUMPER, Step
	05104135AA	1	2, 6		16				
		1	2, 6		56				
3									PLATE, Towing Mounting
	05104056AA	2	2, 6		01, 02, 06				
		2	2, 6		11, 12, 14, 15, 16				
		2	2, 6		51, 52, 54, 55, 56				
		2	3, 7		02, 06				
		2	3, 7		12, 15, 16				
4									SCREW
	05104664AA	8	2, 6		11, 12, 14, 15, 16				
		8	2, 6		51, 52, 54, 55, 56				
		8	3, 7		12, 15, 16				
5									NUT
	06104718AA	8	2, 6		01, 02, 06				
		8	2, 6		11, 12, 14, 15, 16				
		8	3, 7		02, 06				
		8	3, 7		12, 15, 16				
		8	2, 6		51, 52, 54, 55, 56				

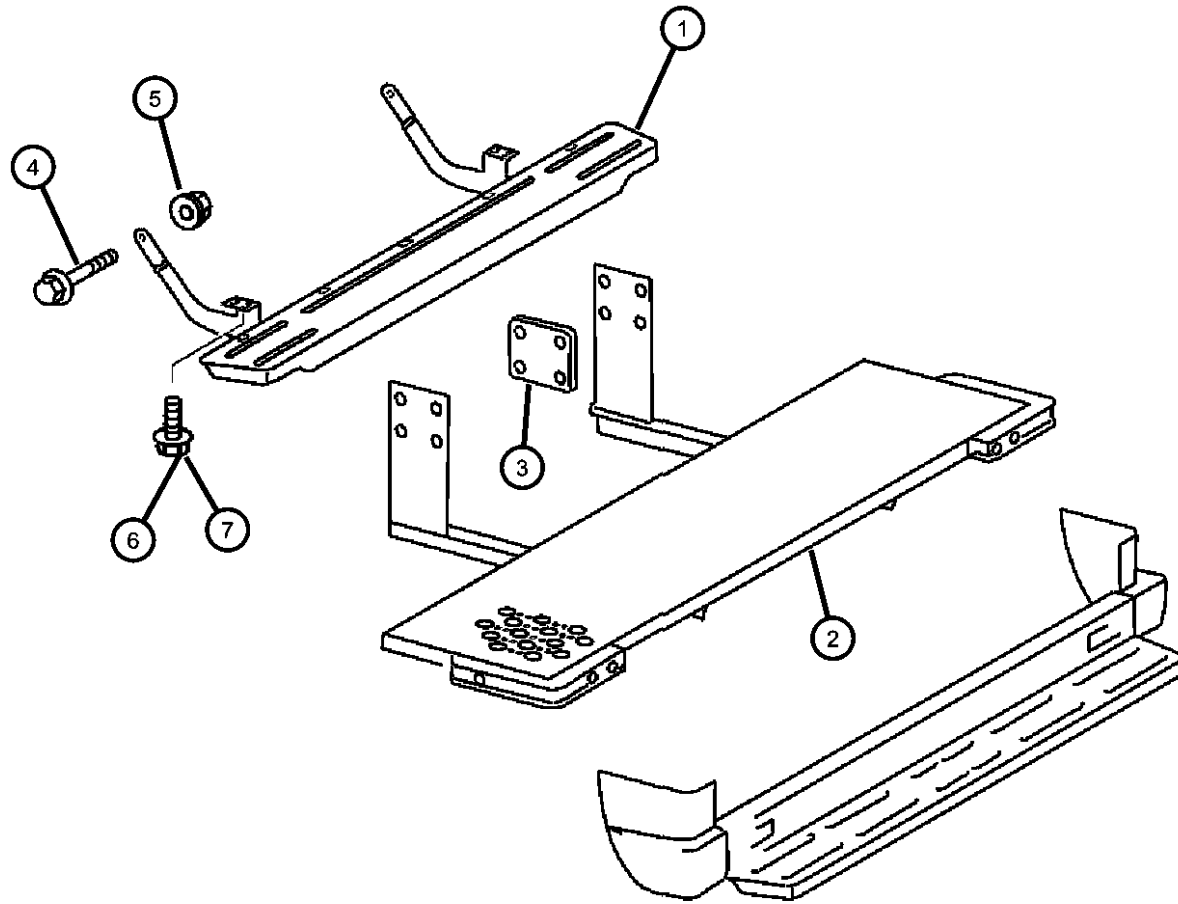
SPRINTER (VA)

SERIES	LINE	BODY	ENGINE	TRANSMISSION
L = LOWLINE	3 = HD DODGE 2WD	12 = Van 140"	EX8 = Engine - 2.7L I5	DGJ = Transmission - 5-Spd Auto, MB
	8 = HD DODGE 4WD	51 = Wagon 118"	Mercedes-Benz TD	
	6 = Lt. Duty DODGE 4WD	52 = Wagon 140"		
	2 = Med. Duty DODGE 2WD	14 = Van 118"		
	7 = Med. Duty DODGE 4WD	15 = Van 140"		
	4 = TRUCK	16 = Van 158"		
		54 = Wagon 118"		
		55 = Wagon 140"		
		56 = Wagon 158"		
		01 = Chassis Forward Control 118"		
		02 = Chassis Forward Control 140"		
		06 = Front Section 158"		
		11 = Van 118"		

AR = use ase required - = Non illustrated part

Rear Step Panel
Figure SVA-980

ITEM	PART NUMBER	QTY	LINE	SERIES	BODY	ENGINE	TRANS	TRIM	DESCRIPTION
6									BOLT, Hex Flange Head, M10x1.50x25
	06104215AA	4	2, 6		11, 12, 14, 15, 16				Rocker Panel to Frame
		4	2, 6		51, 52, 54, 55, 56				Rocker Panel to Frame
		4	3, 7		12, 15, 16				Rocker Panel to Frame
7									SCREW
	05104666AA	4	2, 6		11, 12, 14, 15, 16				Step to Crossmember
		4	2, 6		51, 52, 54, 55, 56				Step to Crossmember
		4	3, 7		12, 15, 16				Step to Crossmember

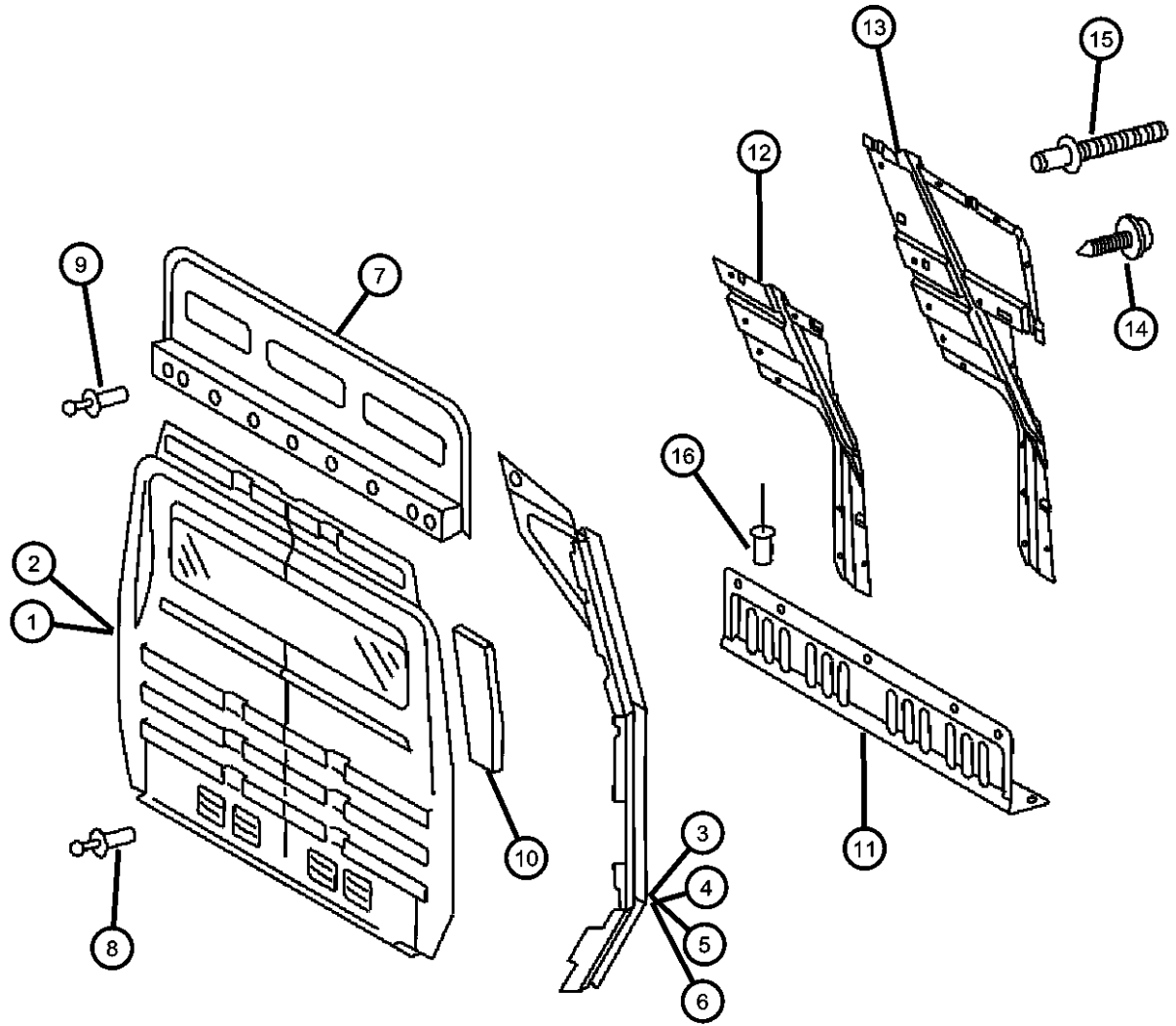


SPRINTER (VA)

SERIES	LINE	BODY	ENGINE	TRANSMISSION
L = LOWLINE	3 = HD DODGE 2WD 8 = HD DODGE 4WD 6 = Lt. Duty DODGE 4WD 2 = Med. Duty DODGE 2WD 7 = Med. Duty DODGE 4WD 4 = TRUCK	12 = Van 140" 51 = Wagon 118" 52 = Wagon 140" 14 = Van 118" 15 = Van 140" 16 = Van 158" 54 = Wagon 118" 55 = Wagon 140" 56 = Wagon 158" 01 = Chassis Forward Control 118" 02 = Chassis Forward Control 140" 06 = Front Section 158" 11 = Van 118"	EX8 = Engine - 2.7L I5 Mercedes-Benz TD	DGJ = Transmission - 5-Spd Auto, MB

AR = use ase required - = Non illustrd part

Partition Wall & Load Protection Grill
Figure SVA-990



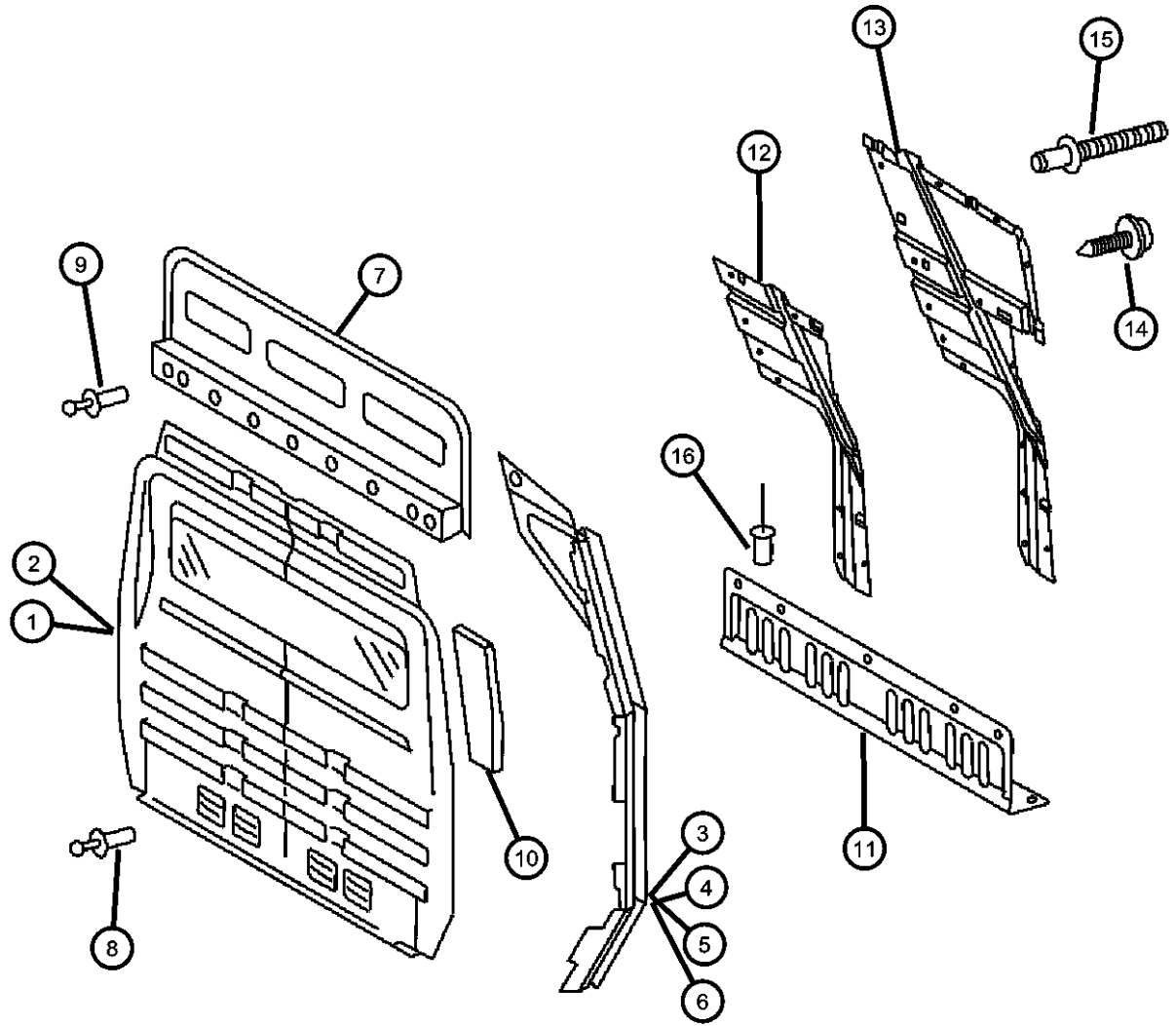
ITEM	PART NUMBER	QTY	LINE	SERIES	BODY	ENGINE	TRANS	TRIM	DESCRIPTION
1	05104304AA	1	2, 6		11, 12, 14, 15, 16				PANEL, Cargo Compartment, Without Windows
		1	3, 7		12, 15, 16				
2	05104307AA	1	2, 6		11, 12, 14, 15, 16				PANEL, Cargo Compartment, With Windows
		1	3, 7		12, 15, 16				
3	05104310AA	1	2, 6		11, 12, 14, 15, 16				PANEL EXTENSION, Extension, W/O Slide Left
		1	3, 7		12, 15, 16				Left
4	05104311AA	1	2, 6		11, 12, 14, 15, 16				PANEL EXTENSION, Extension, W/ Slide Left
		1	3, 7		12, 15, 16				Left
5	05123641AA	1	2, 6		11, 12, 14, 15, 16				PANEL EXTENSION, Extension, W/O Slide Right
		1	3, 7		12, 15, 16				Right
6	05104312AA	1	2, 6		11, 12, 14, 15, 16				PANEL EXTENSION, Extension, W/ Slide Right
		1	3, 7		12, 15, 16				Right
7	05104308AA	1	2, 6		14, 15, 16				PANEL, Cargo Compartment, Upper
		1	3, 7		15, 16				
8									RIVET

SPRINTER (VA)

SERIES	LINE	BODY	ENGINE	TRANSMISSION
L = LOWLINE	3 = HD DODGE 2WD 8 = HD DODGE 4WD 6 = Lt. Duty DODGE 4WD 2 = Med. Duty DODGE 2WD 7 = Med. Duty DODGE 4WD 4 = TRUCK	12 = Van 140" 51 = Wagon 118" 52 = Wagon 140" 14 = Van 118" 15 = Van 140" 16 = Van 158" 54 = Wagon 118" 55 = Wagon 140" 56 = Wagon 158" 01 = Chassis Forward Control 118" 02 = Chassis Forward Control 140" 06 = Front Section 158" 11 = Van 118"	EX8 = Engine - 2.7L I5 Mercedes-Benz TD	DGJ = Transmission - 5-Spd Auto, MB

AR = use ase required - = Non illustrated part

Partition Wall & Load Protection Grill
Figure SVA-990



ITEM	PART NUMBER	QTY	LINE	SERIES	BODY	ENGINE	TRANS	TRIM	DESCRIPTION
	05103839AA	16	2, 6		11, 12, 14, 15, 16				
		16	3, 7		12, 15, 16				
9									RIVET
	05103838AA	4	2, 6		01, 02, 06				
		4	2, 6		11, 12, 14, 15, 16				
		4	2, 6		51, 52, 54, 55, 56				
		4	3, 7		12, 15, 16				
10									PAD, Isolator
	05103712AA	1	2, 6		11, 12, 14, 15, 16				10 Meters Long
		1	3, 7		02, 06				10 Meters Long
		1	3, 7		12, 15, 16				10 Meters Long
		1	2, 6		51, 52, 54, 55, 56				10 Meters Long
11	05123631AA	1	3, 7		12, 15, 16				REINFORCEMENT, Cab Back
12	05104313AA	1							REINFORCEMENT, Side PanelLeft
13	05104314AA	1							REINFORCEMENT, Side PanelRight
14									SCREW, Tapping
	06104580AA	2	2, 6		51, 52, 54, 55, 56				
		2	3, 7		12, 15, 16				
		2	2, 6		11, 12, 14, 15, 16				
15									RIVET
	05103838AA	4	2, 6		01, 02, 06				
		4	2, 6		11, 12, 14, 15, 16				

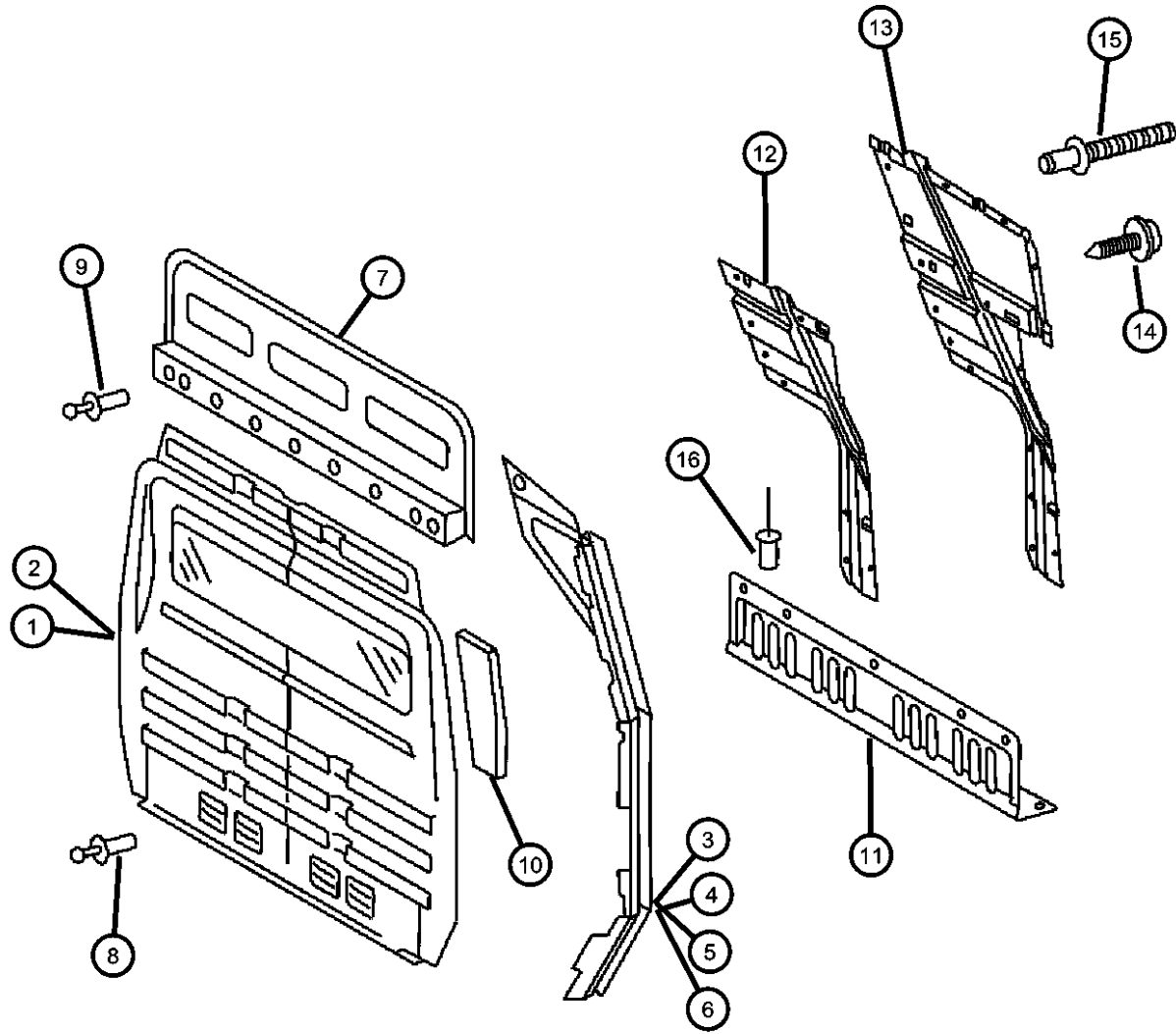
SPRINTER (VA)

SERIES	LINE	BODY	ENGINE	TRANSMISSION
L = LOWLINE	3 = HD DODGE 2WD	12 = Van 140"	EX8 = Engine - 2.7L I5	DGJ = Transmission - 5-Spd Auto, MB
	8 = HD DODGE 4WD	51 = Wagon 118"	Mercedes-Benz TD	
	6 = Lt. Duty DODGE 4WD	52 = Wagon 140"		
	2 = Med. Duty DODGE 2WD	14 = Van 118"		
	7 = Med. Duty DODGE 4WD	15 = Van 140"		
	4 = TRUCK	16 = Van 158"		
		54 = Wagon 118"		
		55 = Wagon 140"		
		56 = Wagon 158"		
		01 = Chassis Forward Control 118"		
		02 = Chassis Forward Control 140"		
		06 = Front Section 158"		
		11 = Van 118"		

AR = use ase required - = Non illustrated part

**Partition Wall & Load Protection Grill
Figure SVA-990**

ITEM	PART NUMBER	QTY	LINE	SERIES	BODY	ENGINE	TRANS	TRIM	DESCRIPTION
		4	2, 6		51, 52, 54, 55, 56				
16	05125822AA	10	3, 7		12, 15, 16				RIVET, Blind Bulb

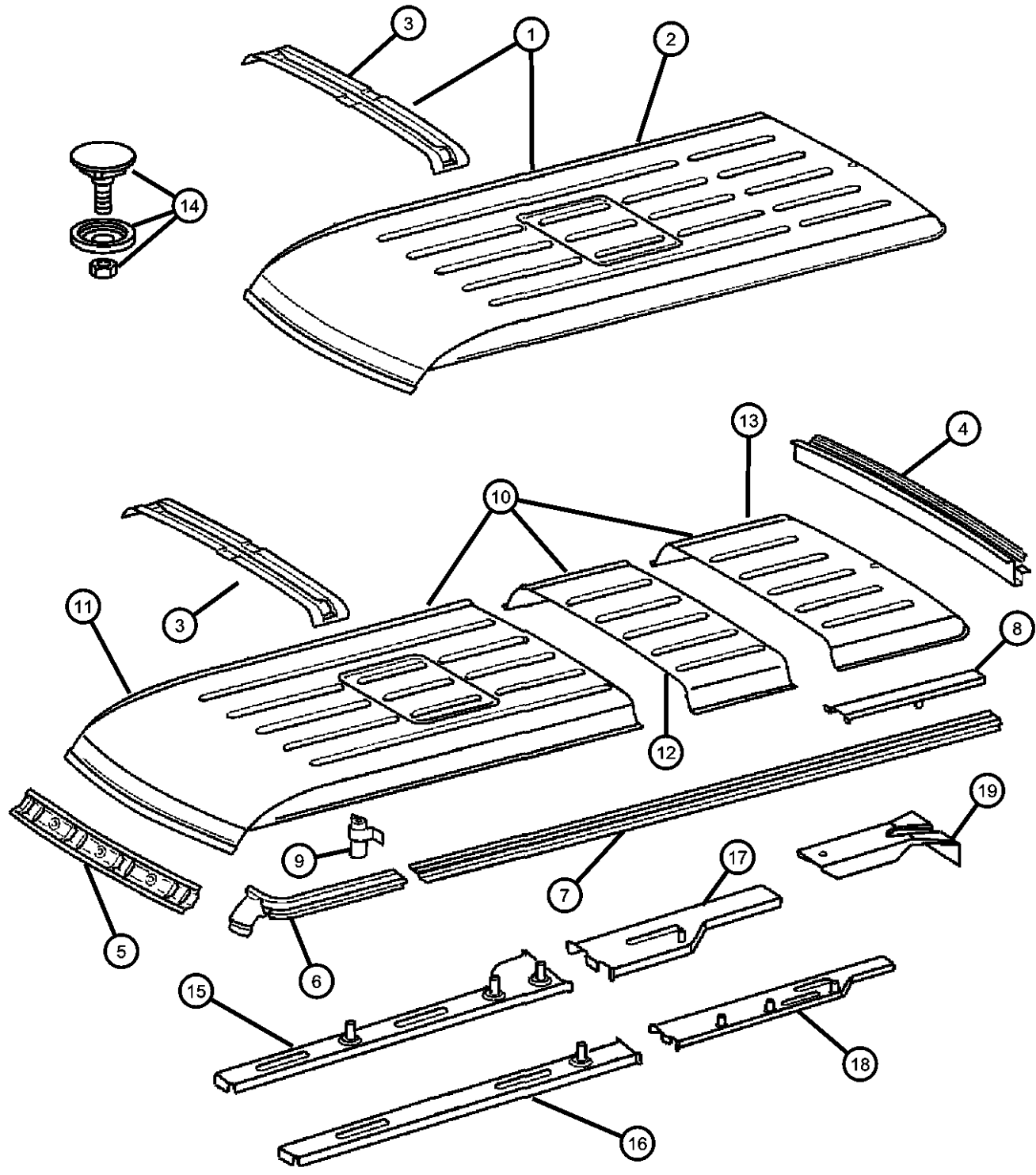


SPRINTER (VA)

SERIES	LINE	BODY	ENGINE	TRANSMISSION
L = LOWLINE	3 = HD DODGE 2WD 8 = HD DODGE 4WD 6 = Lt. Duty DODGE 4WD 2 = Med. Duty DODGE 2WD 7 = Med. Duty DODGE 4WD 4 = TRUCK	12 = Van 140" 51 = Wagon 118" 52 = Wagon 140" 14 = Van 118" 15 = Van 140" 16 = Van 158" 54 = Wagon 118" 55 = Wagon 140" 56 = Wagon 158" 01 = Chassis Forward Control 118" 02 = Chassis Forward Control 140" 06 = Front Section 158" 11 = Van 118"	EX8 = Engine - 2.7L I5 Mercedes-Benz TD	DGJ = Transmission - 5-Spd Auto, MB

AR = use ase required - = Non illustrated part

Low Roof Panel
Figure SVA-1110



ITEM	PART NUMBER	QTY	LINE	SERIES	BODY	ENGINE	TRANS	TRIM	DESCRIPTION
1	05134039AA	1	2, 6		11				ROOF [118] Inch Wheel Base
		1	2, 6		51				[118] Inch Wheel Base
2	05122155AA	1	2, 6		11, 14				PANEL, Roof [118] Inch Wheel Base
		1	2, 6		51, 54				[118] Inch Wheel Base
3	05122107AA	3	2, 6		11				BOW, Roof
		4	2, 6		12				
		3	2, 6		51				
		4	2, 6		52				
		4	7, 3		15				
4	05122058AA	1	2, 6		11, 12				RAIL, Roof
		1	2, 6		51, 52				
		1	3, 7		12				
5	05104163AA	1	2, 6		51, 52, 54, 55, 56				SUPPORT, Roof
		1	3, 7		02, 06				
		1	3, 7		12, 15, 16				
		1	2, 6		01, 02, 06				
		1	2, 6		11, 12, 14, 15, 16				
6	05104194AA	1	2, 6		11, 12, 14, 15, 16				RAIL, Roof Side Left
		1	2, 6		51, 52, 54, 55, 56				Left
		1	3, 7		12, 15, 16				Left

SPRINTER (VA)

SERIES

L = LOWLINE

LINE

3 = HD DODGE 2WD
8 = HD DODGE 4WD
6 = Lt. Duty DODGE 4WD
2 = Med. Duty DODGE 2WD
7 = Med. Duty DODGE 4WD
4 = TRUCK

BODY

12 = Van 140"
51 = Wagon 118"
52 = Wagon 140"
14 = Van 118"
15 = Van 140"
16 = Van 158"
54 = Wagon 118"
55 = Wagon 140"
56 = Wagon 158"
01 = Chassis Forward Control
118"
02 = Chassis Forward Control
140"
06 = Front Section 158"
11 = Van 118"

ENGINE

EX8 = Engine - 2.7L I5
Mercedes-Benz TD

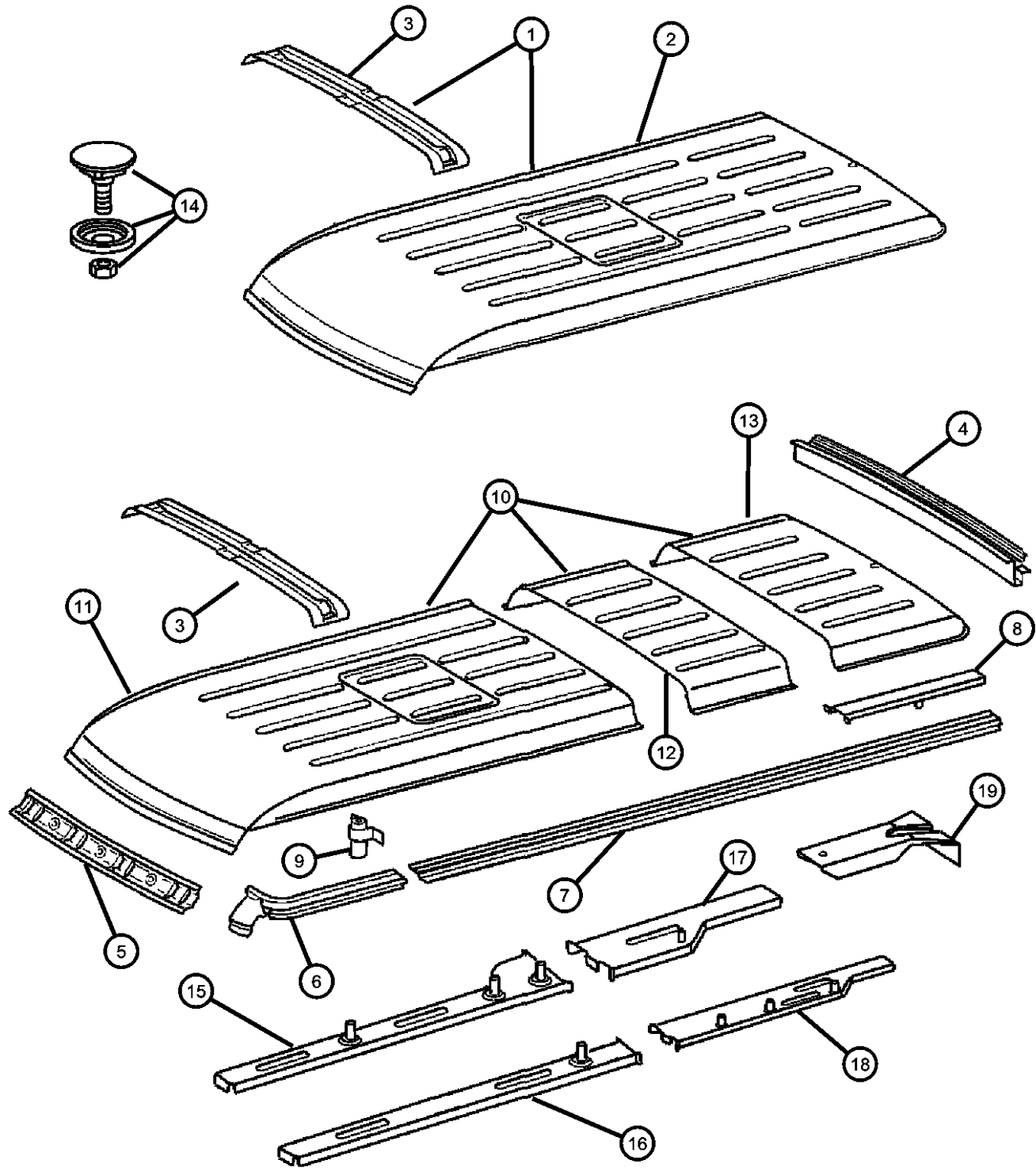
TRANSMISSION

DGJ = Transmission - 5-Spd Auto, MB

AR = use ase required - = Non illustrated part

2005 VA

Low Roof Panel
Figure SVA-1110



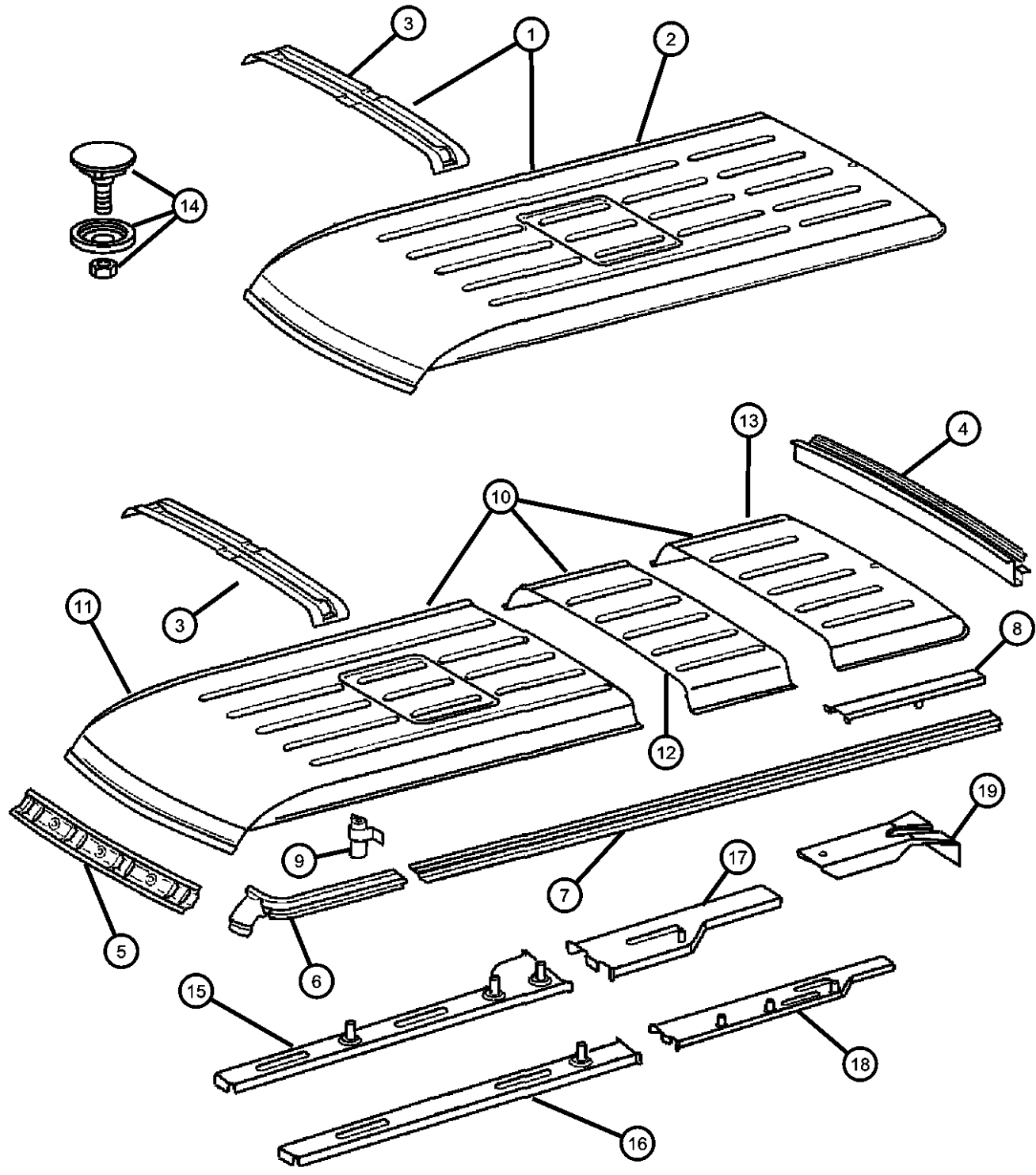
ITEM	PART NUMBER	QTY	LINE	SERIES	BODY	ENGINE	TRANS	TRIM	DESCRIPTION
	05104196AA	1	6, 2		11, 12, 14, 15, 16				Right
		1	3, 7		12, 15, 16				Right
		1	2, 6		51, 52, 54, 55, 56				Right
7									RAIL, Roof Side
	05104191AA	1	2, 6		16				[158] Inch Wheel Base, Right & Left
		1	2, 6		56				[158] Inch Wheel Base, Right & Left
		1	3, 7		16				[158] Inch Wheel Base, Right & Left
	05121826AA	1	2, 6		11, 14				[118] Inch Wheel Base, Right & Left
		1	2, 6		51, 54				[118] Inch Wheel Base, Right & Left
	05121827AA	1	2, 6		12, 15				[140] Inch Wheel Base, Right & Left
		1	2, 6		52, 55				[140] Inch Wheel Base, Right & Left
8									REINFORCEMENT, Roof Panel
	05131214AA	2	2, 6		12				[140] Inch Wheel Base
		2	2, 6		52				[140] Inch Wheel Base
9									REINFORCEMENT, Roof Panel
	05131213AA	2	2, 6		52				[140] Inch Wheel Base
		2	2, 6		12				[140] Inch Wheel Base
10									ROOF
	05134036AA	1	2, 6		12				[140] Inch Wheel Base
		1	2, 6		52				[140] Inch Wheel Base
		1	3, 7		15				[140] Inch Wheel Base
11									PANEL, Roof
	05122156AA	1	2, 6		12				[140] Inch Wheel Base
		1	2, 6		52				[140] Inch Wheel Base

SPRINTER (VA)

SERIES	LINE	BODY	ENGINE	TRANSMISSION
L = LOWLINE	3 = HD DODGE 2WD	12 = Van 140"	EX8 = Engine - 2.7L I5	DGJ = Transmission - 5-Spd Auto, MB
	8 = HD DODGE 4WD	51 = Wagon 118"	Mercedes-Benz TD	
	6 = Lt. Duty DODGE 4WD	52 = Wagon 140"		
	2 = Med. Duty DODGE 2WD	14 = Van 118"		
	7 = Med. Duty DODGE 4WD	15 = Van 140"		
	4 = TRUCK	16 = Van 158"		
		54 = Wagon 118"		
		55 = Wagon 140"		
		56 = Wagon 158"		
		01 = Chassis Forward Control 118"		
		02 = Chassis Forward Control 140"		
		06 = Front Section 158"		
		11 = Van 118"		

AR = use ase required - = Non illustrated part

Low Roof Panel
Figure SVA-1110



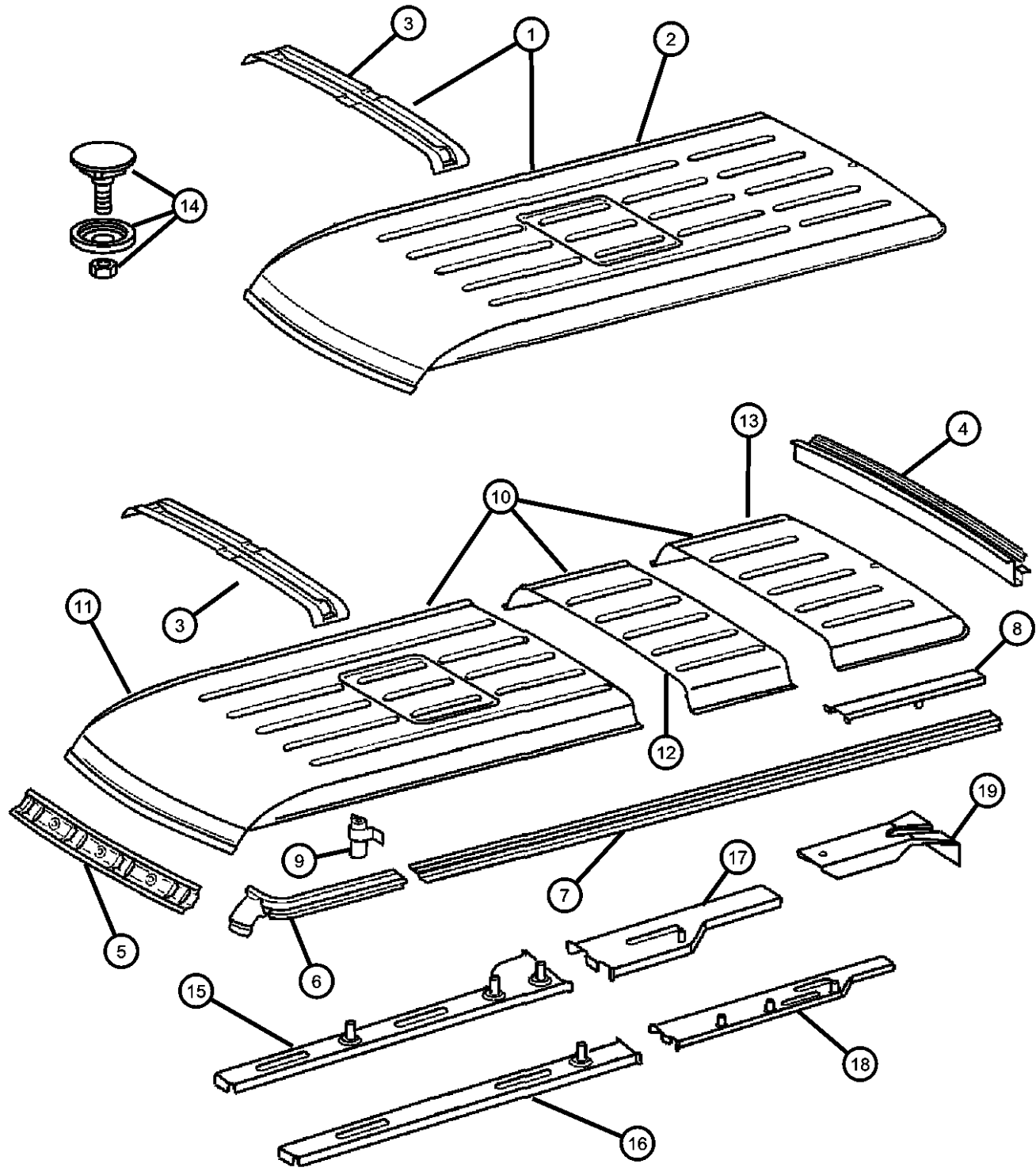
ITEM	PART NUMBER	QTY	LINE	SERIES	BODY	ENGINE	TRANS	TRIM	DESCRIPTION
12		1	3, 7		15				[140] Inch Wheel Base PANEL, Roof
	05122133AA	1	2, 6		12				[140] Inch Wheel Base
		1	3, 7		15				[140] Inch Wheel Base
		1	2, 6		52				[140] Inch Wheel Base
13		1	2, 6		12				PANEL, Roof
	05122134AA	1	2, 6		12				[140] Inch Wheel Base
		1	2, 6		52				[140] Inch Wheel Base
		1	3, 7		15				[140] Inch Wheel Base
14		1	2, 6		01, 02, 06				PANEL, For Sealing Antenna
	05124422AA	1	2, 6		11, 12, 14, 15, 16				
		1	2, 6		51, 52, 54, 55, 56				
		1	3, 7		02, 06				
		1	3, 7		12, 15, 16				
15		1	2, 6		12				BRACKET, Roof
	05122081AA	1	2, 6		12				Left
		1	2, 6		52				Left
		1	3, 7		15				Left
	05122083AA	1	2, 6		12				Right
		1	2, 6		52				Right
		1	3, 7		15				Right
16		1	2, 6		11				BRACKET, Roof, Front Right
	05122090AA	1	2, 6		11				
		1	2, 6		51				
17		1	2, 6		12				BRACKET, Roof
	05122084AA	1	2, 6		12				Left

SPRINTER (VA)

SERIES	LINE	BODY	ENGINE	TRANSMISSION
L = LOWLINE	3 = HD DODGE 2WD	12 = Van 140"	EX8 = Engine - 2.7L I5	DGJ = Transmission - 5-Spd Auto, MB
	8 = HD DODGE 4WD	51 = Wagon 118"	Mercedes-Benz TD	
	6 = Lt. Duty DODGE 4WD	52 = Wagon 140"		
	2 = Med. Duty DODGE 2WD	14 = Van 118"		
	7 = Med. Duty DODGE 4WD	15 = Van 140"		
	4 = TRUCK	16 = Van 158"		
		54 = Wagon 118"		
		55 = Wagon 140"		
		56 = Wagon 158"		
		01 = Chassis Forward Control		
		118"		
		02 = Chassis Forward Control		
		140"		
		06 = Front Section 158"		
		11 = Van 118"		

AR = use ase required - = Non illustrated part

Low Roof Panel
Figure SVA-1110



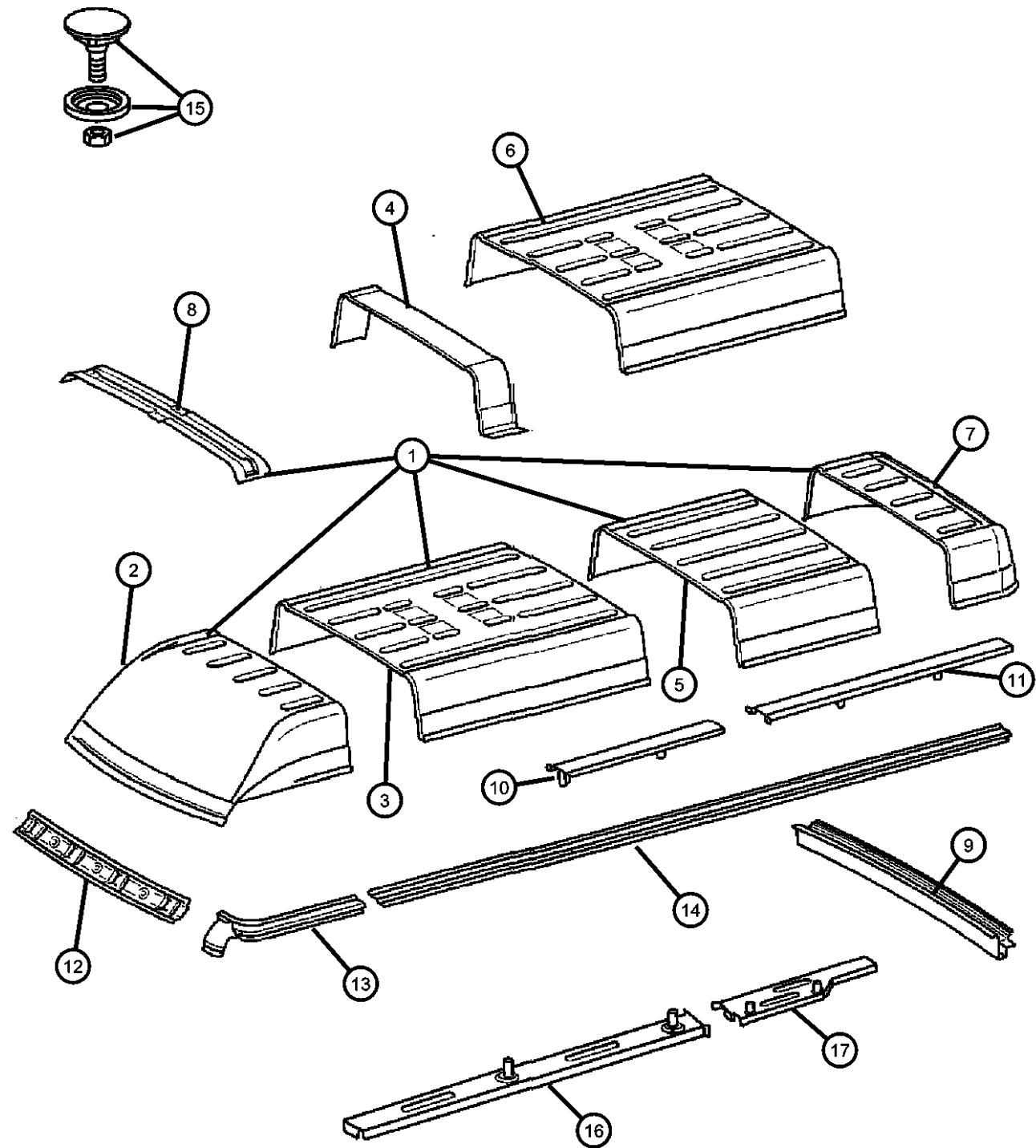
ITEM	PART NUMBER	QTY	LINE	SERIES	BODY	ENGINE	TRANS	TRIM	DESCRIPTION
		1	2, 6		52				Left
		1	3, 7		15				Left
	05122085AA	1	2, 6		12				Right
		1	2, 6		52				Right
		1	3, 7		15				Right
18									BRACKET, Roof
	05122092AA	1	2, 6		11				Right
		1	2, 6		51				Right
	05122093AA	1	2, 6		11				Left
		1	2, 6		51				Left
19									REINFORCEMENT, Roof Panel
	05122125AA	2	6, 2		11, 12, 14, 15, 16				
		2	2, 6		51, 52, 54, 55, 56				
		2	3, 7		12, 15, 16				

SPRINTER (VA)

SERIES	LINE	BODY	ENGINE	TRANSMISSION
L = LOWLINE	3 = HD DODGE 2WD 8 = HD DODGE 4WD 6 = Lt. Duty DODGE 4WD 2 = Med. Duty DODGE 2WD 7 = Med. Duty DODGE 4WD 4 = TRUCK	12 = Van 140" 51 = Wagon 118" 52 = Wagon 140" 14 = Van 118" 15 = Van 140" 16 = Van 158" 54 = Wagon 118" 55 = Wagon 140" 56 = Wagon 158"	EX8 = Engine - 2.7L I5 Mercedes-Benz TD	DGJ = Transmission - 5-Spd Auto, MB
		01 = Chassis Forward Control 118"		
		02 = Chassis Forward Control 140"		
		06 = Front Section 158"		
		11 = Van 118"		

AR = use ase required - = Non illustrated part

High Roof Panel
Figure SVA-1120



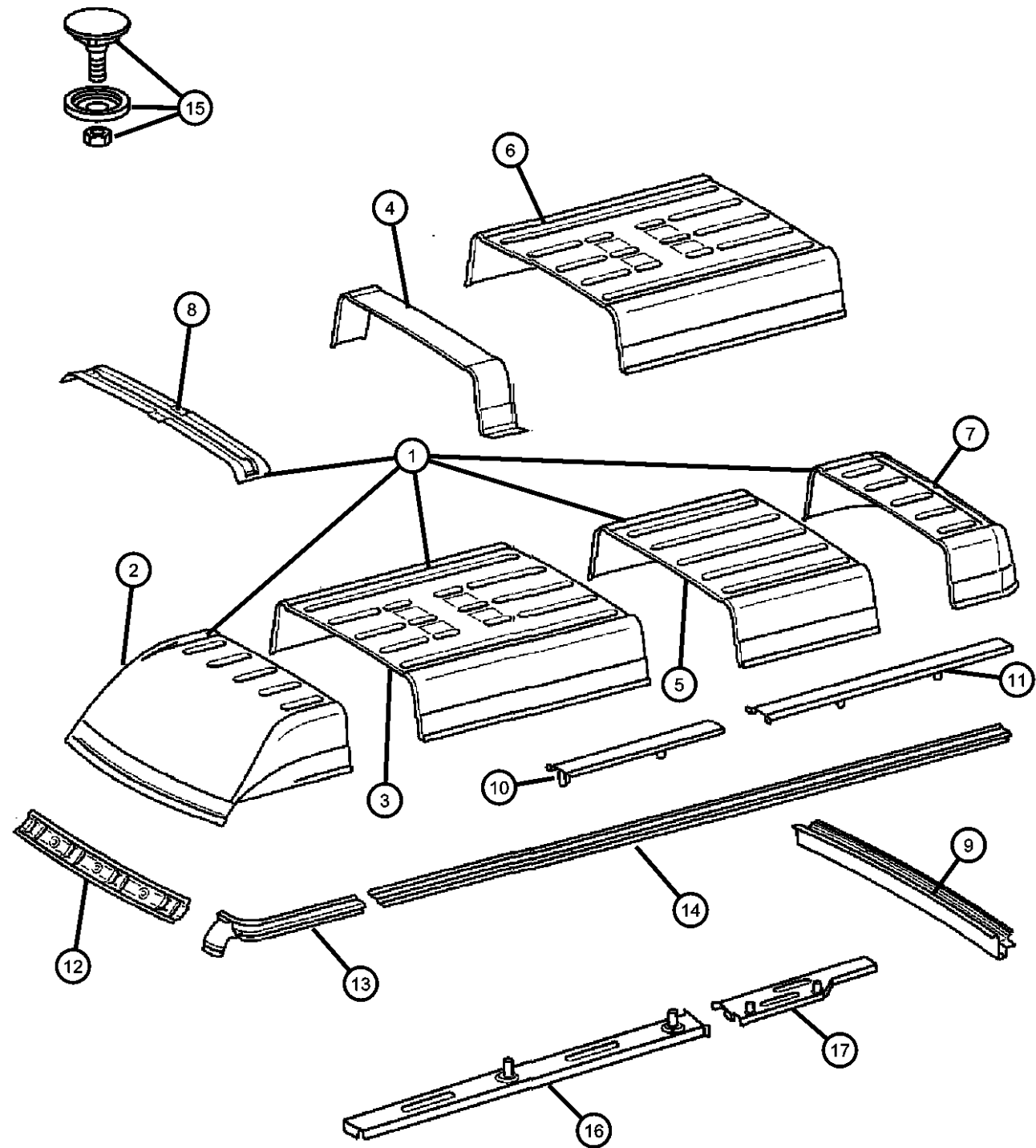
ITEM	PART NUMBER	QTY	LINE	SERIES	BODY	ENGINE	TRANS	TRIM	DESCRIPTION
1									ROOF
	05104228AA	1	2, 6		12				140 Inch Wheel Base
		1	2, 6		52				140 Inch Wheel Base
		1	3, 7		15				140 Inch Wheel Base
	05134037AA	1	6, 2		16				158 Inch Wheel Base
		1	2, 6		56				158 Inch Wheel Base
		1	3, 7		16				158 Inch Wheel Base
	05134038AA	1	2, 6		11				118 Inch Wheel Base
		1	2, 6		51				118 Inch Wheel Base
2									PANEL, Roof
	05104233AA	1	2, 6		14, 15, 16				
		1	2, 6		11, 12, 16				
		1	2, 6		54, 55, 56				
		1	2, 6		51, 52, 56				
		1	3, 7		15, 16				
3									PANEL, Roof
	05122143AA	1	2, 6		16				
		1	2, 6		54, 55, 56				
		1	2, 6		56				
		1	3, 7		15, 16				
		1	3, 7		16				
		1	2, 6		11, 12, 16				
4									EXTENSION, Roof Bow
	05131242AA	1	6, 2		14				
		1	2, 6		54				
5									PANEL, Roof
	05122144AA	1	2, 6		12				140 Inch Wheel Base
		1	2, 6		52				140 Inch Wheel Base

SPRINTER (VA)

SERIES	LINE	BODY	ENGINE	TRANSMISSION
L = LOWLINE	3 = HD DODGE 2WD 8 = HD DODGE 4WD 6 = Lt. Duty DODGE 4WD 2 = Med. Duty DODGE 2WD 7 = Med. Duty DODGE 4WD 4 = TRUCK	12 = Van 140" 51 = Wagon 118" 52 = Wagon 140" 14 = Van 118" 15 = Van 140" 16 = Van 158" 54 = Wagon 118" 55 = Wagon 140" 56 = Wagon 158" 01 = Chassis Forward Control 118" 02 = Chassis Forward Control 140" 06 = Front Section 158" 11 = Van 118"	EX8 = Engine - 2.7L I5 Mercedes-Benz TD	DGJ = Transmission - 5-Spd Auto, MB

AR = use ase required - = Non illustrated part

High Roof Panel
Figure SVA-1120



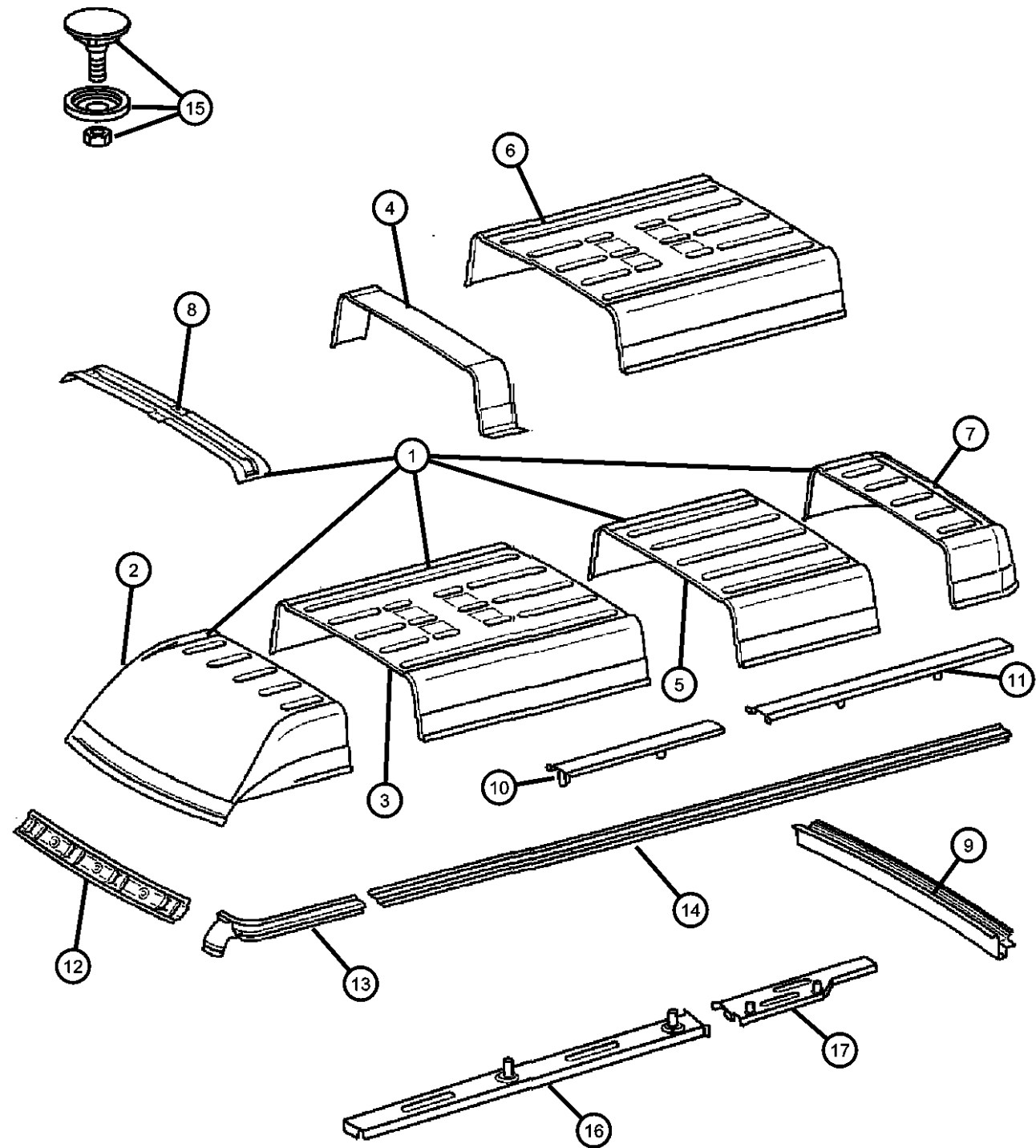
ITEM	PART NUMBER	QTY	LINE	SERIES	BODY	ENGINE	TRANS	TRIM	DESCRIPTION
		1	3, 7		15				140 Inch Wheel Base
6									PANEL, Roof
	05104232AA	1	2, 6		11, 12, 16				158 Inch Wheel Base, With Electric Fan
		1	3, 7		15, 16				158 Inch Wheel Base, With Electric Fan
	05122143AA	1	2, 6		11, 12, 16				140 & 158 Inch Wheel Base
		1	2, 6		54, 55, 56				140 & 158 Inch Wheel Base
		1	3, 7		15, 16				140 & 158 Inch Wheel Base
7									PANEL, Roof
	05104231AA	1	2, 6		52, 56				
		1	2, 6		12, 16				
		1	3, 7		15, 16				
8									BOW, Roof
	05104227AA	1	2, 6		14, 15, 16				With 140 & 158 Inch Wheelbase
		1	2, 6		54, 55, 56				With 140 & 158 Inch Wheelbase
		1	3, 7		15, 16				With 140 & 158 Inch Wheelbase
	05122107AA	3	2, 6		11				With 118 Inch Wheelbase
		4	2, 6		12				With 118 Inch Wheelbase
		3	2, 6		51				With 118 Inch Wheelbase
		4	6, 2		52				With 118 Inch Wheelbase
	05104229AA	2	2, 6		11				With Electric Fan
		3	2, 6		12				With Electric Fan
		4	2, 6		16				With Electric Fan
		2	2, 6		51				With Electric Fan
		3	2, 6		52				With Electric Fan
		4	2, 6		56				With Electric Fan
		3	3, 7		15				With Electric Fan
		4	3, 7		16				With Electric Fan

SPRINTER (VA)

SERIES	LINE	BODY	ENGINE	TRANSMISSION
L = LOWLINE	3 = HD DODGE 2WD 8 = HD DODGE 4WD 6 = Lt. Duty DODGE 4WD 2 = Med. Duty DODGE 2WD 7 = Med. Duty DODGE 4WD 4 = TRUCK	12 = Van 140" 51 = Wagon 118" 52 = Wagon 140" 14 = Van 118" 15 = Van 140" 16 = Van 158" 54 = Wagon 118" 55 = Wagon 140" 56 = Wagon 158" 01 = Chassis Forward Control 118" 02 = Chassis Forward Control 140" 06 = Front Section 158" 11 = Van 118"	EX8 = Engine - 2.7L I5 Mercedes-Benz TD	DGJ = Transmission - 5-Spd Auto, MB

AR = use ase required - = Non illustrated part

High Roof Panel
Figure SVA-1120



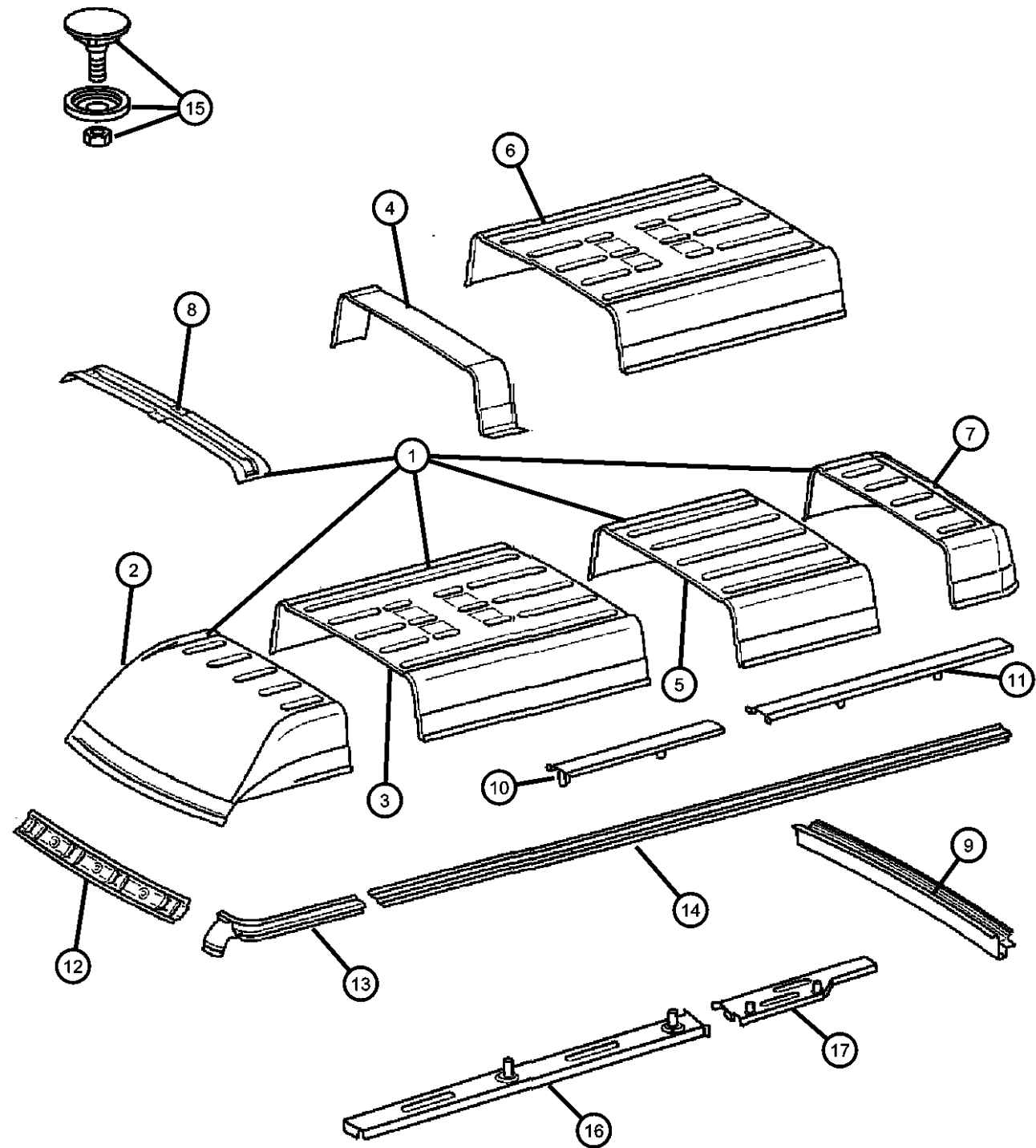
ITEM	PART NUMBER	QTY	LINE	SERIES	BODY	ENGINE	TRANS	TRIM	DESCRIPTION
9		4	3, 7		15				With 118 Inch Wheelbase BOW, Roof
	05104226AA	1	2, 6		14, 15, 16				
		1	2, 6		54, 55, 56				
10		2	2, 6		55				REINFORCEMENT, Roof Panel
	05131215AA	2	2, 6		15				
		2	2, 6		11				REINFORCEMENT, Roof Panel
11		2	2, 6		11				
	05131216AA	2	2, 6		51				
		2	2, 6		01, 02, 06				SUPPORT, Roof
12		1	2, 6		11, 12, 14, 15, 16				
	05104163AA	1	2, 6		51, 52, 54, 55, 56				
		1	3, 7		02, 06				
		1	3, 7		12, 15, 16				
13		1	2, 6		11, 12, 14, 15, 16				RAIL, Roof Side Left
	05104194AA	1	2, 6		51, 52, 54, 55, 56				Left
		1	3, 7		12, 15, 16				Left
	05104196AA	1	2, 6		11, 12, 14, 15, 16				Right
		1	3, 7		12, 15, 16				Right
		1	2, 6		51, 52, 54, 55, 56				Right
14		1	2, 6		16				RAIL, Roof Side 158 Inch Wheel Base
	05104191AA	1	2, 6						

SPRINTER (VA)

SERIES	LINE	BODY	ENGINE	TRANSMISSION
L = LOWLINE	3 = HD DODGE 2WD 8 = HD DODGE 4WD 6 = Lt. Duty DODGE 4WD 2 = Med. Duty DODGE 2WD 7 = Med. Duty DODGE 4WD 4 = TRUCK	12 = Van 140" 51 = Wagon 118" 52 = Wagon 140" 14 = Van 118" 15 = Van 140" 16 = Van 158" 54 = Wagon 118" 55 = Wagon 140" 56 = Wagon 158" 01 = Chassis Forward Control 118" 02 = Chassis Forward Control 140" 06 = Front Section 158" 11 = Van 118"	EX8 = Engine - 2.7L I5 Mercedes-Benz TD	DGJ = Transmission - 5-Spd Auto, MB

AR = use ase required - = Non illustrated part

High Roof Panel
Figure SVA-1120



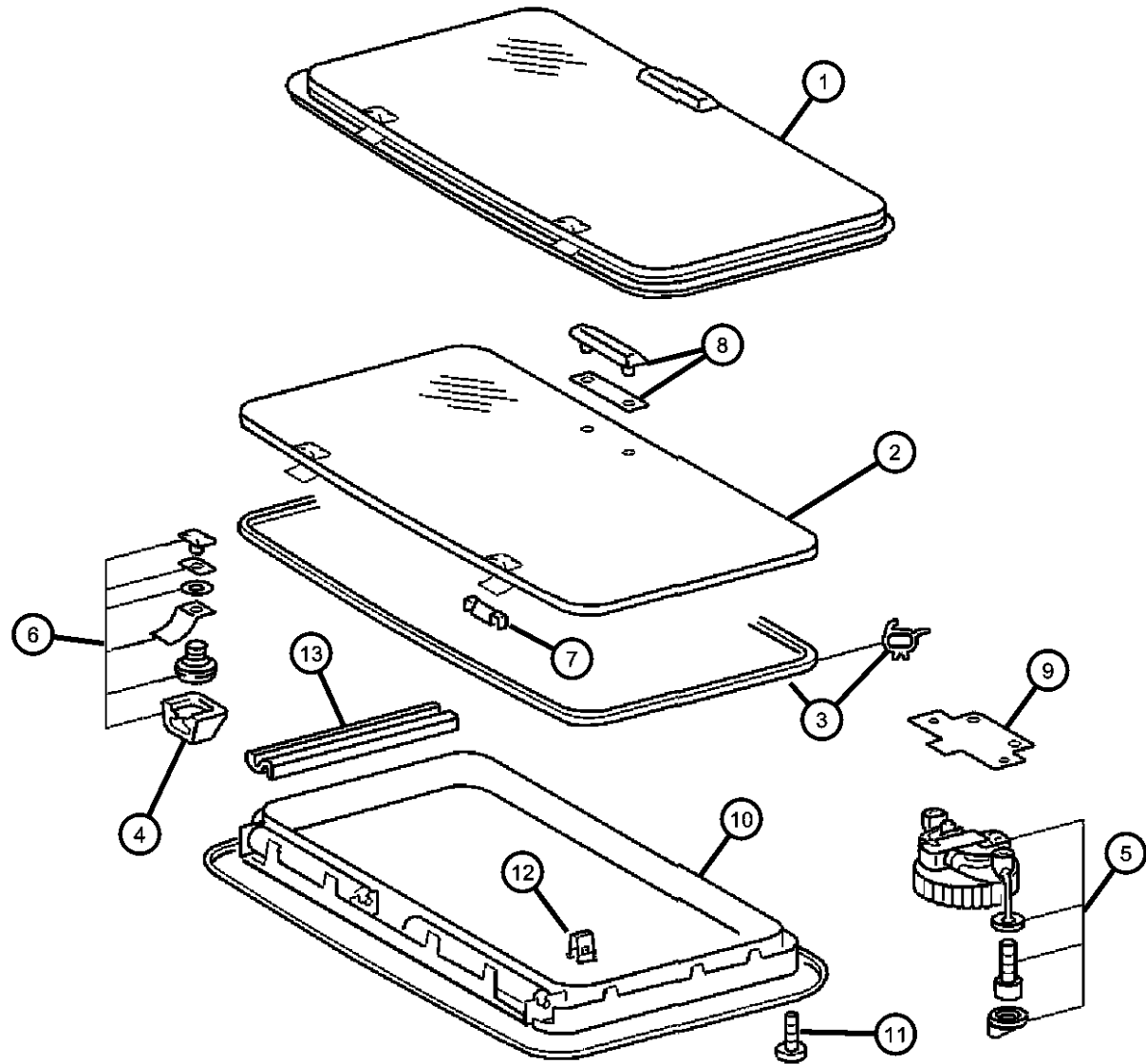
ITEM	PART NUMBER	QTY	LINE	SERIES	BODY	ENGINE	TRANS	TRIM	DESCRIPTION
		1	2, 6		56				158 Inch Wheel Base
		1	3, 7		16				158 Inch Wheel Base
	05121827AA	1	2, 6		12, 15				140 Inch Wheel Base
		1	2, 6		52, 55				140 Inch Wheel Base
		1	3, 7		12, 15				140 Inch Wheel Base
15									PANEL, For Sealing Antenna
	05124422AA	1	2, 6		01, 02, 06				
		1	2, 6		11, 12, 14, 15, 16				
		1	3, 7		02, 06				
		1	3, 7		12, 15, 16				
		1	2, 6		51, 52, 54, 55, 56				
16									BRACKET, Roof
	05122086AA	1	2, 6		15				
		1	2, 6		55				
		1	3, 7		15				
17									BRACKET, Roof
	05122088AA	1	2, 6		15				Rear Left
		1	2, 6		55				Rear Left
		1	3, 7		15				Rear Left
	05122089AA	1	2, 6		15				Rear Right
		1	2, 6		55				Rear Right
		1	3, 7		15				Rear Right

SPRINTER (VA)

SERIES	LINE	BODY	ENGINE	TRANSMISSION
L = LOWLINE	3 = HD DODGE 2WD 8 = HD DODGE 4WD 6 = Lt. Duty DODGE 4WD 2 = Med. Duty DODGE 2WD 7 = Med. Duty DODGE 4WD 4 = TRUCK	12 = Van 140" 51 = Wagon 118" 52 = Wagon 140" 14 = Van 118" 15 = Van 140" 16 = Van 158" 54 = Wagon 118" 55 = Wagon 140" 56 = Wagon 158" 01 = Chassis Forward Control 118" 02 = Chassis Forward Control 140" 06 = Front Section 158" 11 = Van 118"	EX8 = Engine - 2.7L I5 Mercedes-Benz TD	DGJ = Transmission - 5-Spd Auto, MB

AR = use ase required - = Non illustrated part

Manual Sunroof
Figure SVA-1210



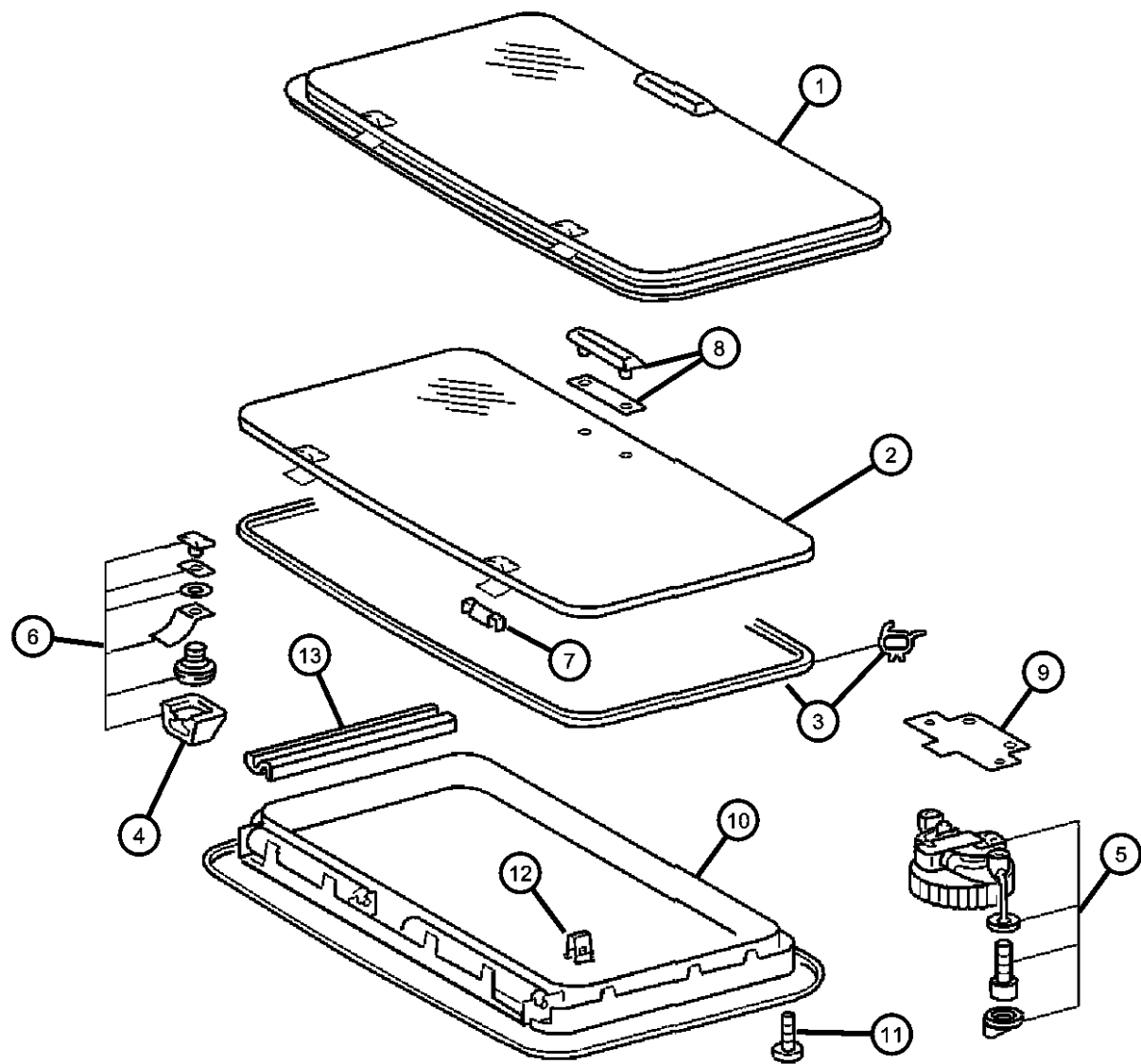
ITEM	PART NUMBER	QTY	LINE	SERIES	BODY	ENGINE	TRANS	TRIM	DESCRIPTION
1									SUNROOF, Complete
	05104476AA	1	6, 2		01, 02, 06				
		1	2, 6		11, 12, 14, 15, 16				
		1	2, 6		51, 52, 54, 55, 56				
		1	3, 7		02, 06				
		1	3, 7		12, 15, 16				
2									GLASS, Sunroof
	05134005AA	1	2, 6		01, 02, 06				
		1	2, 6		11, 12, 14, 15, 16				
		1	2, 6		51, 52, 54, 55, 56				
		1	3, 7		02, 06				
		1	3, 7		12, 15, 16				
3									SEAL, Sunroof
	05134006AA	1	3, 7		02, 06				
		1	3, 7		12, 15, 16				
		1	2, 6		01, 02, 06				
		1	2, 6		11, 12, 14, 15, 16				
		1	2, 6		51, 52, 54, 55, 56				
4									COVER, Hinge
	05134007AA	1	2, 6		01, 02, 06				
		1	2, 6		11, 12, 14, 15, 16				
		1	2, 6		51, 52, 54, 55, 56				
		1	3, 7		02, 06				
		1	3, 7		12, 15, 16				
5									HANDLE, Sunroof

SPRINTER (VA)

SERIES	LINE	BODY	ENGINE	TRANSMISSION
L = LOWLINE	3 = HD DODGE 2WD 8 = HD DODGE 4WD 6 = Lt. Duty DODGE 4WD 2 = Med. Duty DODGE 2WD 7 = Med. Duty DODGE 4WD 4 = TRUCK	12 = Van 140" 51 = Wagon 118" 52 = Wagon 140" 14 = Van 118" 15 = Van 140" 16 = Van 158" 54 = Wagon 118" 55 = Wagon 140" 56 = Wagon 158" 01 = Chassis Forward Control 118" 02 = Chassis Forward Control 140" 06 = Front Section 158" 11 = Van 118"	EX8 = Engine - 2.7L I5 Mercedes-Benz TD	DGJ = Transmission - 5-Spd Auto, MB

AR = use ase required - = Non illustrated part

Manual Sunroof
Figure SVA-1210



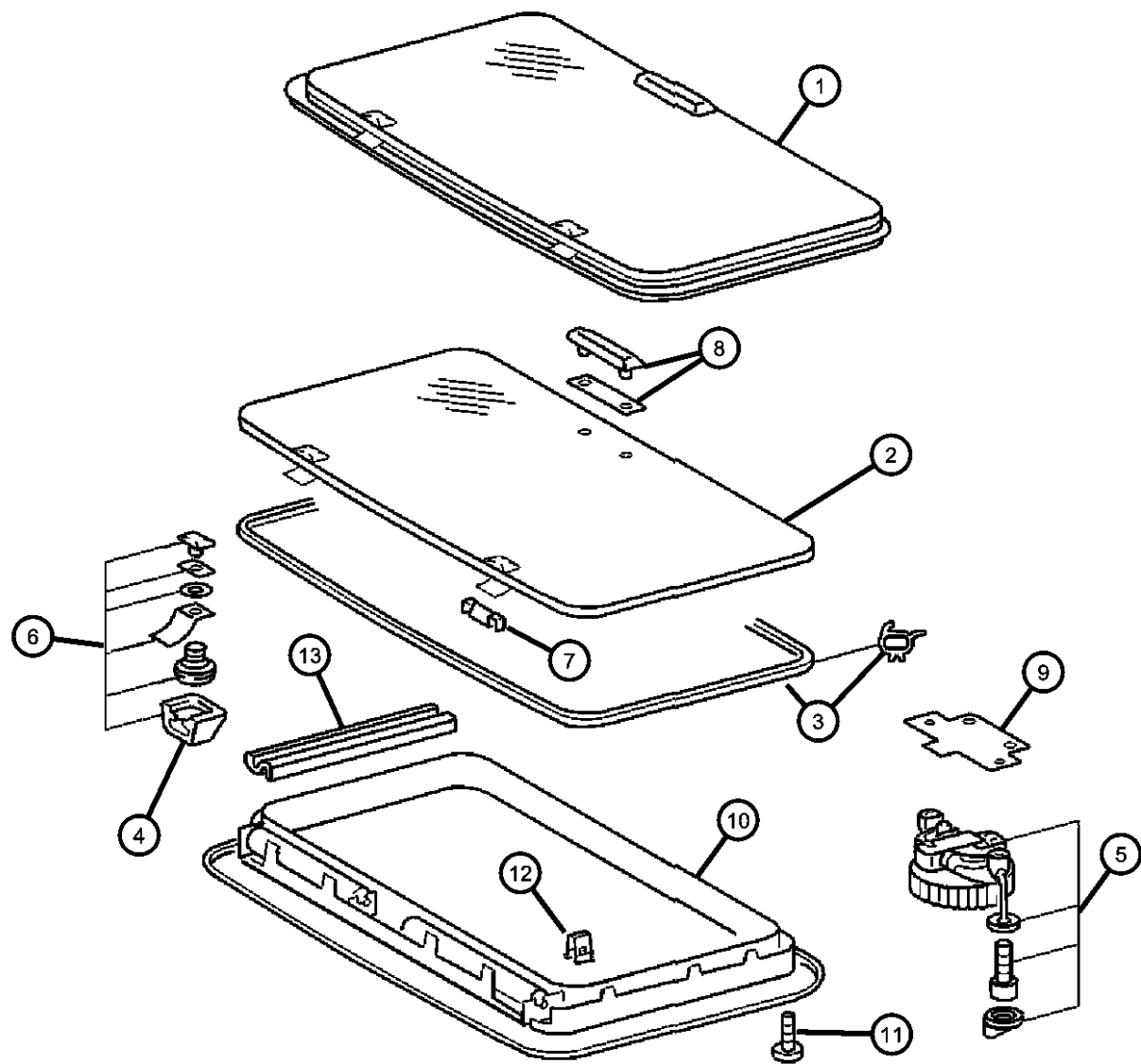
ITEM	PART NUMBER	QTY	LINE	SERIES	BODY	ENGINE	TRANS	TRIM	DESCRIPTION
6	05134008AA	1	2, 6		01, 02, 06				HINGE, Sunroof
		1	2, 6		11, 12, 14, 15, 16				
		1	2, 6		51, 52, 54, 55, 56				
		1	3, 7		02, 06				
		1	3, 7		12, 15, 16				
7	05134009AA	1	2, 6		11, 12, 14, 15, 16				HINGE, Sunroof
		1	2, 6		51, 52, 54, 55, 56				
		1	3, 7		02, 06				
		1	3, 7		12, 15, 16				
		1	2, 6		01, 02, 06				
8	05134010AA	1	2, 6		01, 02, 06				PLATE, Sunroof
		1	2, 6		11, 12, 14, 15, 16				
		1	2, 6		51, 52, 54, 55, 56				
		1	3, 7		02, 06				
		1	3, 7		12, 15, 16				
9	05134012AA	1	2, 6		01, 02, 06				PLATE, Sunroof
		1	3, 7		12, 15, 16				
		1	2, 6		11, 12, 14, 15, 16				
		1	2, 6		51, 52, 54, 55, 56				
		1	3, 7		02, 06				

SPRINTER (VA)

SERIES	LINE	BODY	ENGINE	TRANSMISSION
L = LOWLINE	3 = HD DODGE 2WD	12 = Van 140"	EX8 = Engine - 2.7L I5	DGJ = Transmission - 5-Spd Auto, MB
	8 = HD DODGE 4WD	51 = Wagon 118"	Mercedes-Benz TD	
	6 = Lt. Duty DODGE 4WD	52 = Wagon 140"		
	2 = Med. Duty DODGE 2WD	14 = Van 118"		
	7 = Med. Duty DODGE 4WD	15 = Van 140"		
	4 = TRUCK	16 = Van 158"		
		54 = Wagon 118"		
		55 = Wagon 140"		
		56 = Wagon 158"		
		01 = Chassis Forward Control 118"		
		02 = Chassis Forward Control 140"		
		06 = Front Section 158"		
		11 = Van 118"		

AR = use ase required - = Non illustrated part

Manual Sunroof
Figure SVA-1210



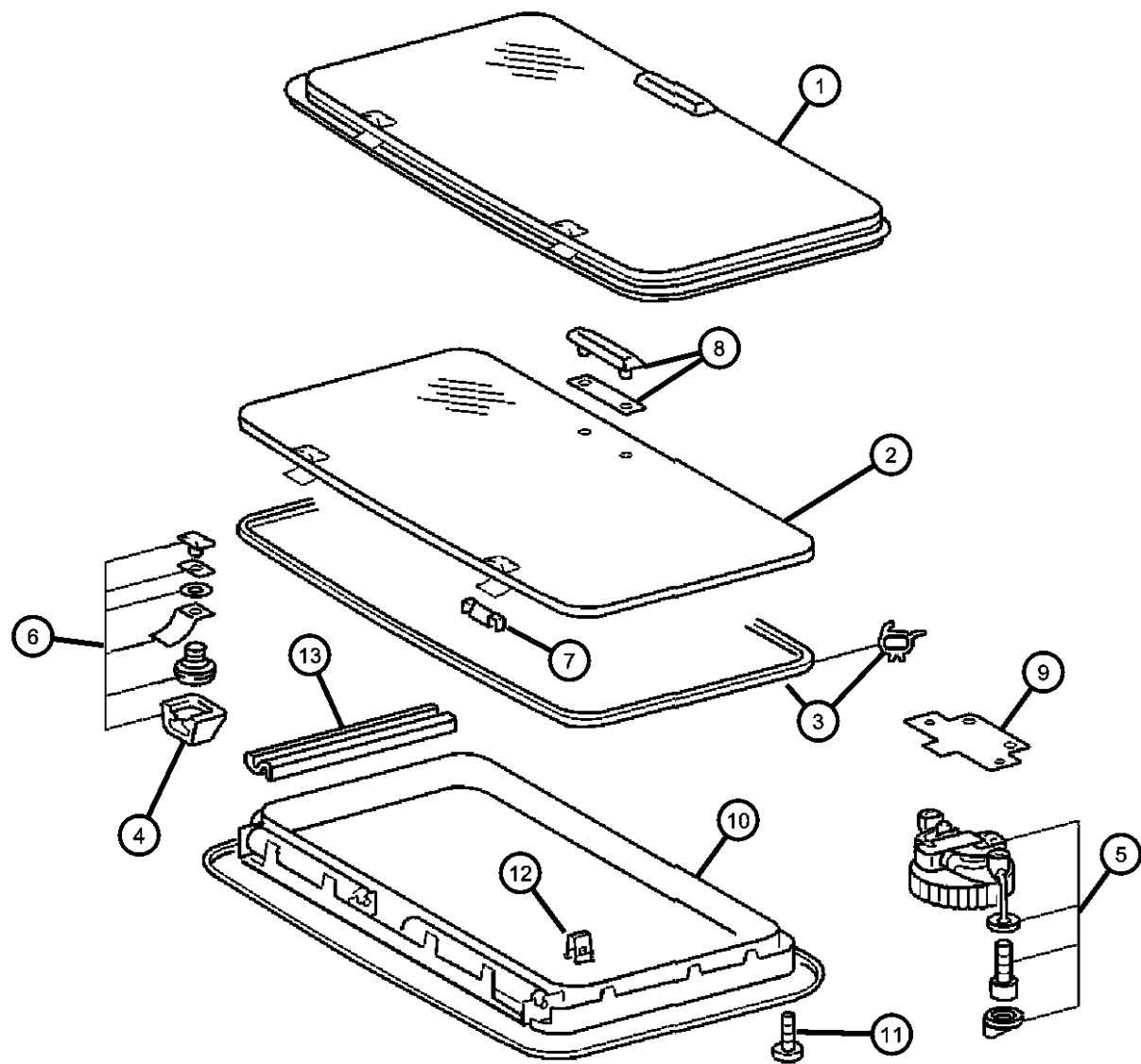
ITEM	PART NUMBER	QTY	LINE	SERIES	BODY	ENGINE	TRANS	TRIM	DESCRIPTION
	05134011AA	1	2, 6		01, 02, 06				
		1	2, 6		11, 12, 14, 15, 16				
		1	2, 6		51, 52, 54, 55, 56				
		1	3, 7		02, 06				
		1	3, 7		12, 15, 16				
10									FRAME, Sunroof
	05124714AA	1	2, 6		01, 02, 06				
		1	2, 6		11, 12, 14, 15, 16				
	05124715AA	1	2, 6		01, 02, 06				Without Double Shade
		1	2, 6		11, 12, 14, 15, 16				Without Double Shade
		1	2, 6		51, 52, 54, 55, 56				Without Double Shade
		1	3, 7		02, 06				Without Double Shade
		1	3, 7		12, 15, 16				Without Double Shade
		1	2, 6		51, 52, 54, 55, 56				
		1	3, 7		02, 06				
		1	3, 7		12, 15, 16				
11									SCREW
	05126276AA	24	2, 6		01, 02, 06				
		24	2, 6		11, 12, 14, 15, 16				
		24	6, 2		16				
		24	3, 7		02, 06				
		24	3, 7		16				
		24	3, 7		12, 15				
		24	2, 6		51, 52, 54, 55				

SPRINTER (VA)
SERIES **LINE** **BODY** **ENGINE** **TRANSMISSION**
L = LOWLINE 3 = HD DODGE 2WD 12 = Van 140" EX8 = Engine - 2.7L I5 DGJ = Transmission - 5-Spd Auto, MB
 8 = HD DODGE 4WD 51 = Wagon 118" Mercedes-Benz TD
 6 = Lt. Duty DODGE 4WD 52 = Wagon 140"
 2 = Med. Duty DODGE 2WD 14 = Van 118"
 7 = Med. Duty DODGE 4WD 15 = Van 140"
 4 = TRUCK 16 = Van 158"
 54 = Wagon 118"
 55 = Wagon 140"
 56 = Wagon 158"
 01 = Chassis Forward Control
 118"
 02 = Chassis Forward Control
 140"
 06 = Front Section 158"
 11 = Van 118"

AR = use ase required - = Non illustrated part

Manual Sunroof
Figure SVA-1210

ITEM	PART NUMBER	QTY	LINE	SERIES	BODY	ENGINE	TRANS	TRIM	DESCRIPTION
------	-------------	-----	------	--------	------	--------	-------	------	-------------



12		24	2, 6		56				CLIP, Sunroof
	05125572AA	14	2, 6		01, 02, 06				
		14	2, 6		11, 12, 14, 15, 16				
		14	2, 6		51, 52, 54, 55, 56				
		14	3, 7		02, 06				
		14	3, 7		12, 15, 16				
13									SUPPORT
	05104495AA	2	2, 6		01, 02, 06				
		2	2, 6		11, 12, 14, 15, 16				
		2	2, 6		51, 52, 54, 55, 56				
		2	3, 7		02, 06				
		2	3, 7		12, 15, 16				

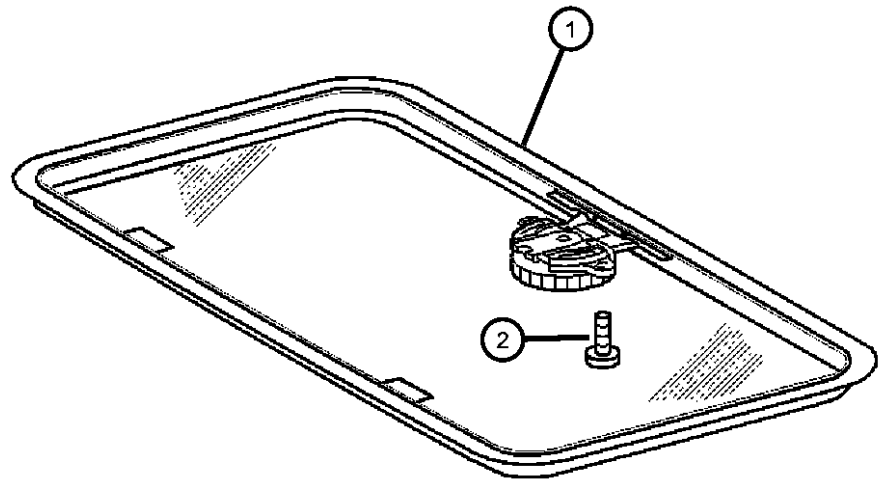
SPRINTER (VA)

SERIES	LINE	BODY	ENGINE	TRANSMISSION
L = LOWLINE	3 = HD DODGE 2WD	12 = Van 140"	EX8 = Engine - 2.7L I5	DGJ = Transmission - 5-Spd Auto, MB
	8 = HD DODGE 4WD	51 = Wagon 118"	Mercedes-Benz TD	
	6 = Lt. Duty DODGE 4WD	52 = Wagon 140"		
	2 = Med. Duty DODGE 2WD	14 = Van 118"		
	7 = Med. Duty DODGE 4WD	15 = Van 140"		
	4 = TRUCK	16 = Van 158"		
		54 = Wagon 118"		
		55 = Wagon 140"		
		56 = Wagon 158"		
		01 = Chassis Forward Control 118"		
		02 = Chassis Forward Control 140"		
		06 = Front Section 158"		
		11 = Van 118"		

AR = use ase required - = Non illustrated part

**Fixed Sunroof
Figure SVA-1220**

ITEM	PART NUMBER	QTY	LINE	SERIES	BODY	ENGINE	TRANS	TRIM	DESCRIPTION
1									GLASS, Sunroof
	05104480AA	1	2, 6		11, 12, 14, 15				
		1	2, 6		51, 52, 54, 55				
		2	2, 6		56				
		1	3, 7		12, 15				
		2	3, 7		16				
		2	2, 6		16				
2									SCREW
	05126276AA	24	2, 6		01, 02, 06				
		24	2, 6		11, 12, 14, 15				
		24	2, 6		16				
		24	2, 6		51, 52, 54, 55				
		24	3, 7		02, 06				
		24	3, 7		16				
		24	3, 7		12, 15				



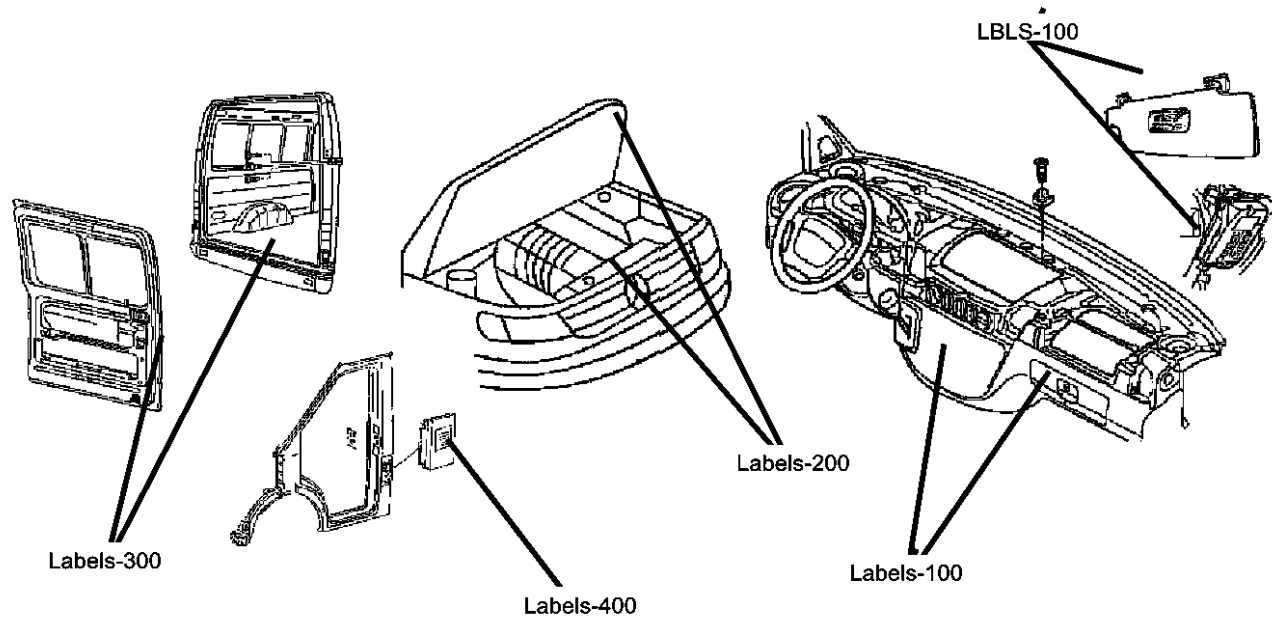
SPRINTER (VA)

SERIES	LINE	BODY	ENGINE	TRANSMISSION
L = LOWLINE	3 = HD DODGE 2WD	12 = Van 140"	EX8 = Engine - 2.7L I5	DGJ = Transmission - 5-Spd Auto, MB
	8 = HD DODGE 4WD	51 = Wagon 118"	Mercedes-Benz TD	
	6 = Lt. Duty DODGE 4WD	52 = Wagon 140"		
	2 = Med. Duty DODGE 2WD	14 = Van 118"		
	7 = Med. Duty DODGE 4WD	15 = Van 140"		
	4 = TRUCK	16 = Van 158"		
		54 = Wagon 118"		
		55 = Wagon 140"		
		56 = Wagon 158"		
		01 = Chassis Forward Control 118"		
		02 = Chassis Forward Control 140"		
		06 = Front Section 158"		
		11 = Van 118"		

AR = use ase required - = Non illustrated part

Group - LBLS

Labels All Vehicle Locations



Group - LBLS Labels All Vehicle Locations

Illustration Title

Group-Fig. No.

Interior

Instrument Panel / Visors & Interior Fig. LBLS - 105

Under Hood

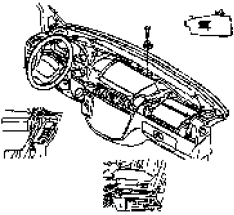

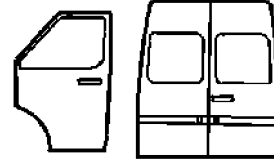
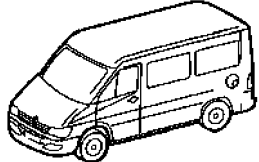
Engine Compartment Fig. LBLS - 205

Doors

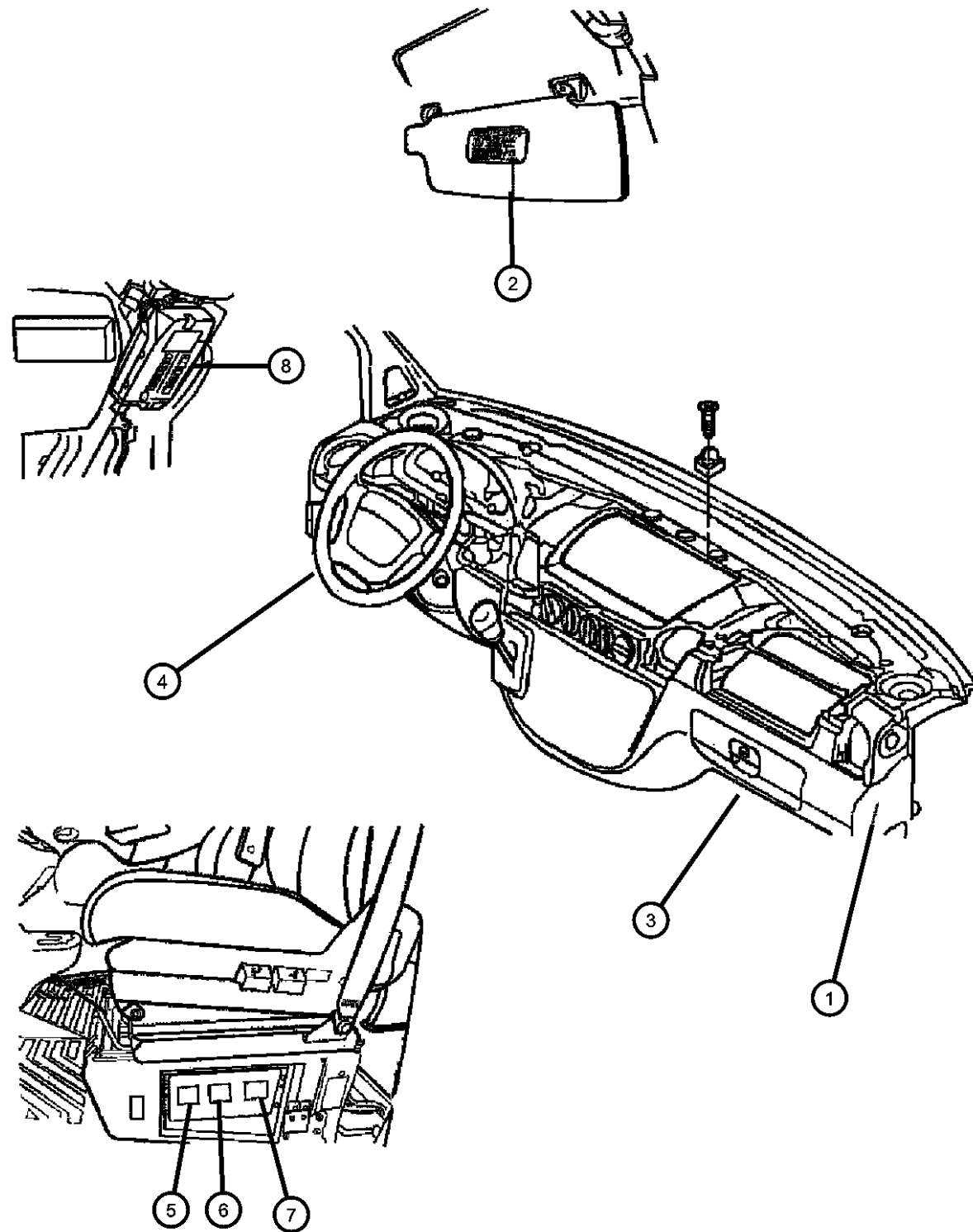
Front / Side & Cargo Fig. LBLS - 305

Exterior

Fuel Door & Filler Fig. LBLS - 410

<p>LBLS-100 Interior</p> 	<p>LBLS-200 Under Hood</p> 	<p>LBLS-300 Doors</p> 	<p>LBLS-400 Exterior</p> 
--	---	---	---

**Instrument Panel / Visors & Interior
Figure LBL5-105**



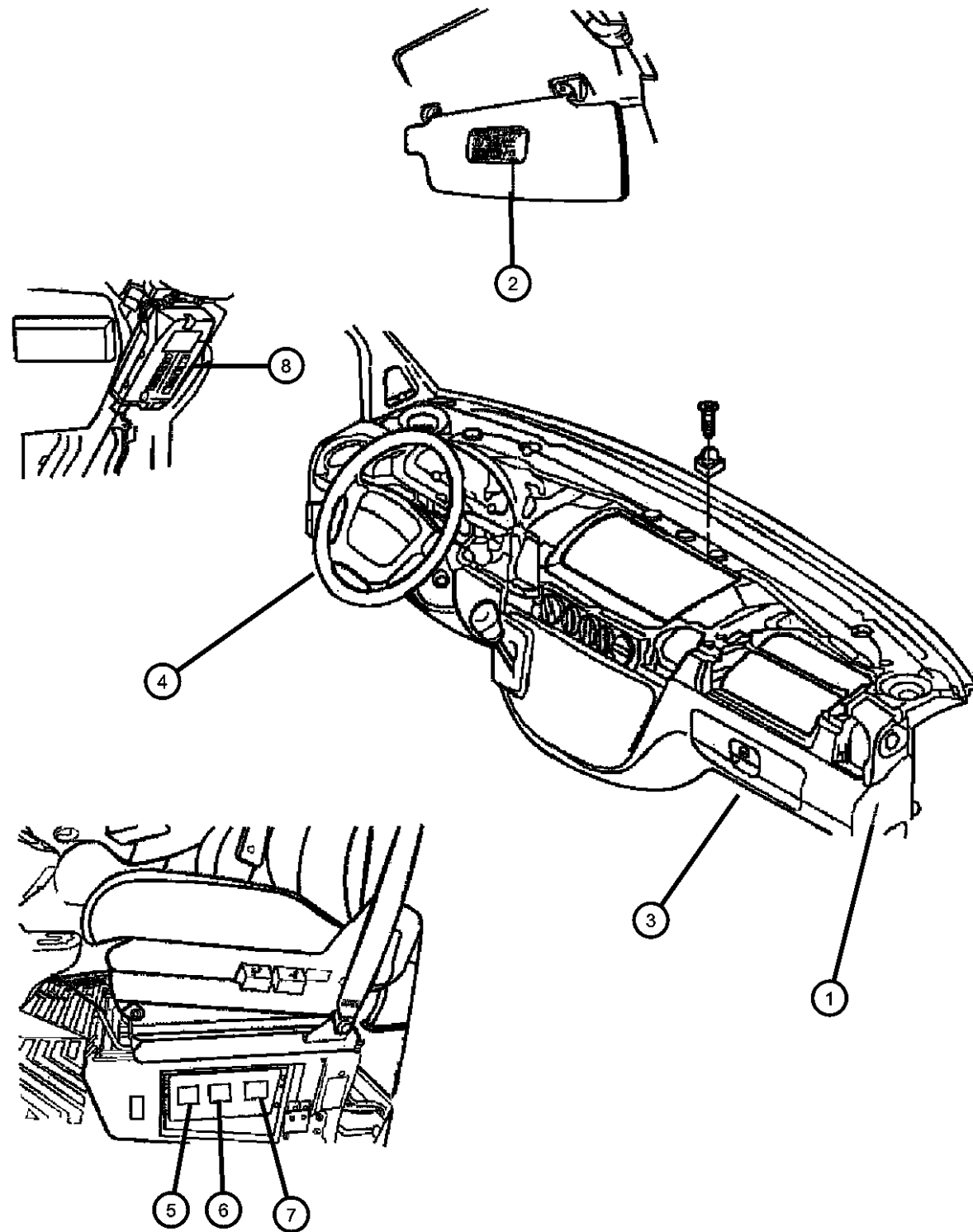
ITEM	PART NUMBER	QTY	LINE	SERIES	BODY	ENGINE	TRANS	TRIM	DESCRIPTION
1	05096894AA	1		L	01, 02, 06	EX8			LABEL, Airbag
		1		L	11, 12, 14, 15, 16	EX8			Round sticker on instrument panel
		1		L	51, 52, 54, 55, 56	EX8			Round sticker on instrument panel
		1		L	02, 06	EX8			Round sticker on instrument panel
		1		L	12, 15, 16	EX8			Round sticker on instrument panel
2	05124329AB	1		L	01, 02, 06				LABEL, Airbag
		1		L	11, 12, 14, 15, 16				
		1		L	51, 52, 54, 55, 56				
		1		L	02, 06				
		1		L	12, 15, 16				
3	05124329AB	1		L	01, 02, 06				LABEL, Airbag
		1		L	11, 12, 14, 15, 16				
		1		L	51, 52, 54, 55, 56				
		1		L	02, 06				
4	05121112AA	1		L	01, 02, 06	EX8			LABEL, Warning
		1		L	11, 12, 14, 15, 16	EX8			
		1		L	51, 52, 54, 55, 56	EX8			
		1		L	02, 06	EX8			
		1		L	12, 15, 16	EX8			
5									LABEL, Fuse Block

SPRINTER (VA)

SERIES	LINE	BODY	ENGINE	TRANSMISSION
L = LOWLINE	3 = HD DODGE 2WD 8 = HD DODGE 4WD 6 = Lt. Duty DODGE 4WD 2 = Med. Duty DODGE 2WD 7 = Med. Duty DODGE 4WD 4 = TRUCK	12 = Van 140" 51 = Wagon 118" 52 = Wagon 140" 14 = Van 118" 15 = Van 140" 16 = Van 158" 54 = Wagon 118" 55 = Wagon 140" 56 = Wagon 158" 01 = Chassis Forward Control 118" 02 = Chassis Forward Control 140" 06 = Front Section 158" 11 = Van 118"	EX8 = Engine - 2.7L I5 Mercedes-Benz TD	DGJ = Transmission - 5-Spd Auto, MB

AR = use ase required - = Non illustrated part

**Instrument Panel / Visors & Interior
Figure LBLS-105**

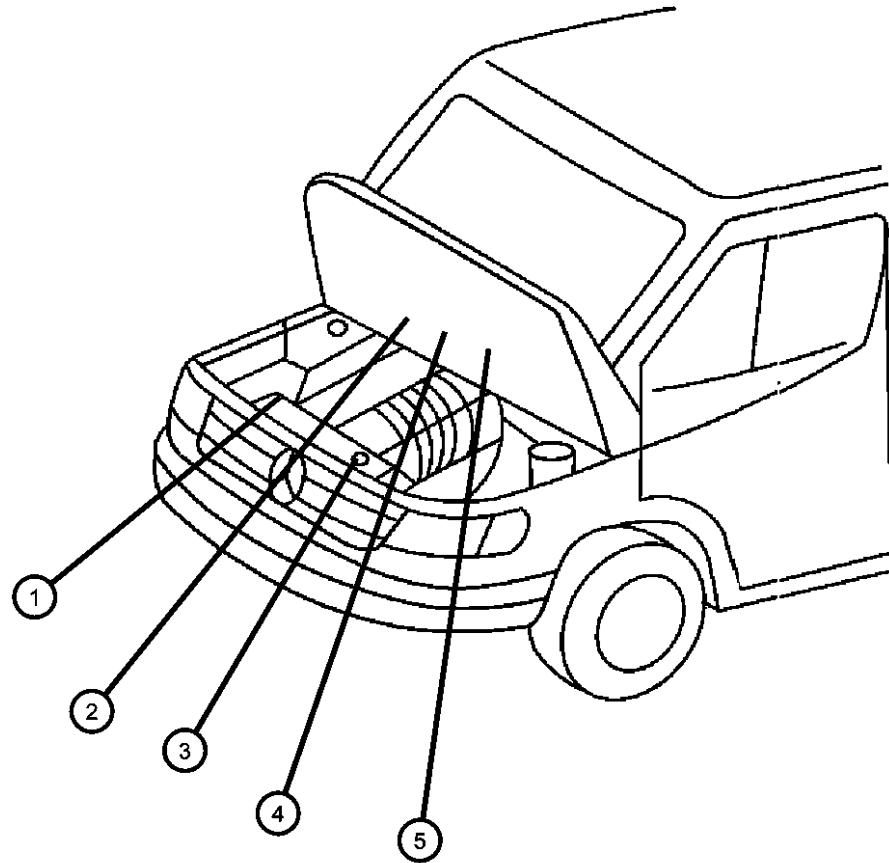


ITEM	PART NUMBER	QTY	LINE	SERIES	BODY	ENGINE	TRANS	TRIM	DESCRIPTION
	05121129AA	1		L	01, 02, 06	EX8			
		1		L	11, 12, 14, 15, 16	EX8			
		1		L	51, 52, 54, 55, 56	EX8			
		1		L	02, 06	EX8			
		1		L	12, 15, 16	EX8			
6	05121077AA	1		L	02, 06	EX8			LABEL
		1		L	12, 15, 16	EX8			
		1		L	01, 02, 06	EX8			
		1		L	11, 12, 14, 15, 16	EX8			
		1		L	51, 52, 54, 55, 56	EX8			
7		1							LABEL, Tire, PRECISION PRINTERS P.O. BOX 26 CEDAR RIDGE, CA 95924 FAX: 530-273-2878 CONTACT: LISA 800-252-8660 FREIGHTLINER P, (NOT SERVICED)
									LABEL, Airbag
8	05161821AA	1		L	01, 02, 06	EX8			
		1		L	11, 12, 14, 15, 16	EX8			
		1		L	51, 52, 54, 55, 56	EX8			
		1		L	02, 06	EX8			
		1		L	12, 15, 16	EX8			

SPRINTER (VA)				
SERIES	LINE	BODY	ENGINE	TRANSMISSION
L = LOWLINE	3 = HD DODGE 2WD 8 = HD DODGE 4WD 6 = Lt. Duty DODGE 4WD 2 = Med. Duty DODGE 2WD 7 = Med. Duty DODGE 4WD 4 = TRUCK	12 = Van 140" 51 = Wagon 118" 52 = Wagon 140" 14 = Van 118" 15 = Van 140" 16 = Van 158" 54 = Wagon 118" 55 = Wagon 140" 56 = Wagon 158" 01 = Chassis Forward Control 118" 02 = Chassis Forward Control 140" 06 = Front Section 158" 11 = Van 118"	EX8 = Engine - 2.7L I5 Mercedes-Benz TD	DGJ = Transmission - 5-Spd Auto, MB

AR = use ase required - = Non illustrated part

**Engine Compartment
Figure LBL5-205**



ITEM	PART NUMBER	QTY	LINE	SERIES	BODY	ENGINE	TRANS	TRIM	DESCRIPTION
1	05104155AA	1		L	01, 02, 06	EX8			LABEL, Fan Caution
		1		L	11, 12, 14, 15, 16	EX8			
		1		L	51, 52, 54, 55, 56	EX8			
		1		L	02, 06	EX8			
		1		L	12, 15, 16	EX8			
2	05124359AA	1		L	01, 02, 06	EX8			LABEL, A/C Spec.
		1		L	11, 12, 14, 15, 16	EX8			
		1		L	51, 52, 54, 55, 56	EX8			
		1		L	02, 06	EX8			
		1		L	12, 15, 16	EX8			
3	05104154AA	1		L	01, 02, 06	EX8			LABEL, Coolant Warning
		1		L	11, 12, 14, 15, 16	EX8			
		1		L	51, 52, 54, 55, 56	EX8			
		1		L	02, 06	EX8			
		1		L	12, 15, 16	EX8			
4	05121165AA	1		L	01, 02, 06	EX8			LABEL, Adhesive Foil
		1		L	11, 12, 14, 15, 16	EX8			
		1		L	51, 52, 54, 55, 56	EX8			
		1		L	02, 06	EX8			
		1		L	12, 15, 16	EX8			
5								LABEL, Tire Pressure	

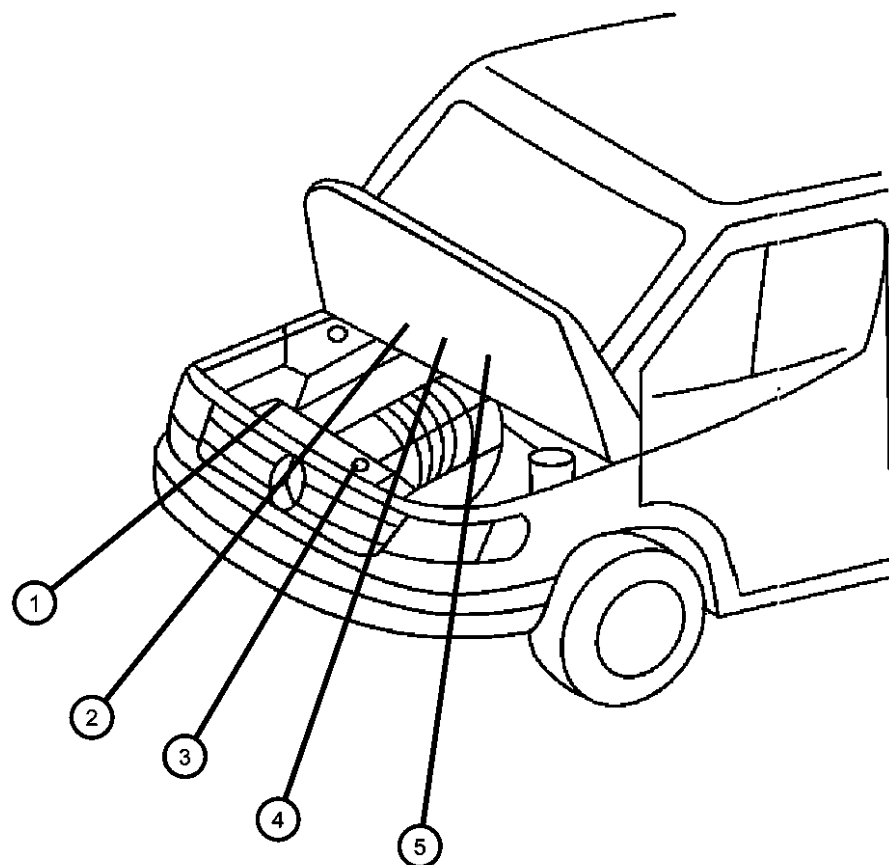
SPRINTER (VA)

SERIES	LINE	BODY	ENGINE	TRANSMISSION
L = LOWLINE	3 = HD DODGE 2WD 8 = HD DODGE 4WD 6 = Lt. Duty DODGE 4WD 2 = Med. Duty DODGE 2WD 7 = Med. Duty DODGE 4WD 4 = TRUCK	12 = Van 140" 51 = Wagon 118" 52 = Wagon 140" 14 = Van 118" 15 = Van 140" 16 = Van 158" 54 = Wagon 118" 55 = Wagon 140" 56 = Wagon 158" 01 = Chassis Forward Control 118" 02 = Chassis Forward Control 140" 06 = Front Section 158" 11 = Van 118"	EX8 = Engine - 2.7L I5 Mercedes-Benz TD	DGJ = Transmission - 5-Spd Auto, MB

AR = use ase required - = Non illustrated part

**Engine Compartment
Figure LBL5-205**

ITEM	PART NUMBER	QTY	LINE	SERIES	BODY	ENGINE	TRANS	TRIM	DESCRIPTION
	05121159AA	1		L	01, 02, 06	EX8			
		1		L	11, 12, 14, 15, 16	EX8			
		1		L	51, 52, 54, 55, 56	EX8			
		1		L	02, 06	EX8			
		1		L	12, 15, 16	EX8			



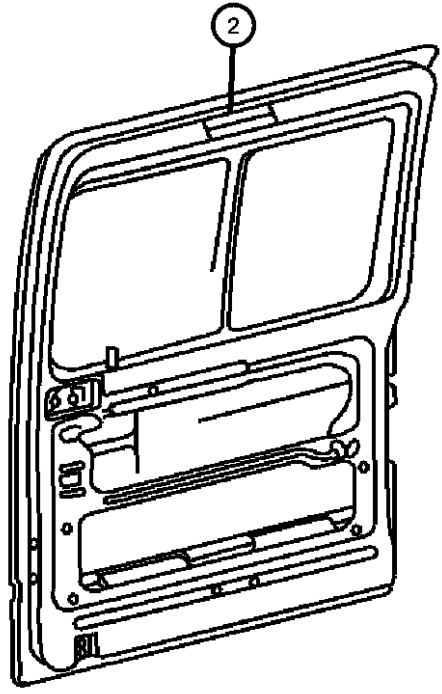
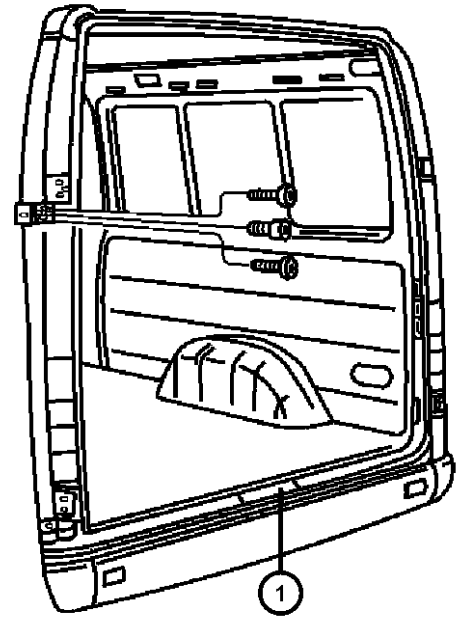
SPRINTER (VA)

SERIES	LINE	BODY	ENGINE	TRANSMISSION
L = LOWLINE	3 = HD DODGE 2WD 8 = HD DODGE 4WD 6 = Lt. Duty DODGE 4WD 2 = Med. Duty DODGE 2WD 7 = Med. Duty DODGE 4WD 4 = TRUCK	12 = Van 140" 51 = Wagon 118" 52 = Wagon 140" 14 = Van 118" 15 = Van 140" 16 = Van 158" 54 = Wagon 118" 55 = Wagon 140" 56 = Wagon 158" 01 = Chassis Forward Control 118" 02 = Chassis Forward Control 140" 06 = Front Section 158" 11 = Van 118"	EX8 = Engine - 2.7L I5 Mercedes-Benz TD	DGJ = Transmission - 5-Spd Auto, MB

AR = use ase required - = Non illustrated part

2005 VA

Front / Side & Cargo
Figure LBL5-305



ITEM	PART NUMBER	QTY	LINE	SERIES	BODY	ENGINE	TRANS	TRIM	DESCRIPTION
1	05124356AA	1		L	12, 15, 16	EX8			LABEL Cargo holddown
		1		L	12, 15	EX8			Cargo holddown
2	05121112AA	1		L	01, 02, 06	EX8			LABEL, Warning Sliding door
		1		L	11, 12, 14, 15, 16	EX8			Sliding door
		1		L	51, 52, 54, 55, 56	EX8			Sliding door
		1		L	02, 06	EX8			Sliding door
		1		L	12, 15, 16	EX8			Sliding door

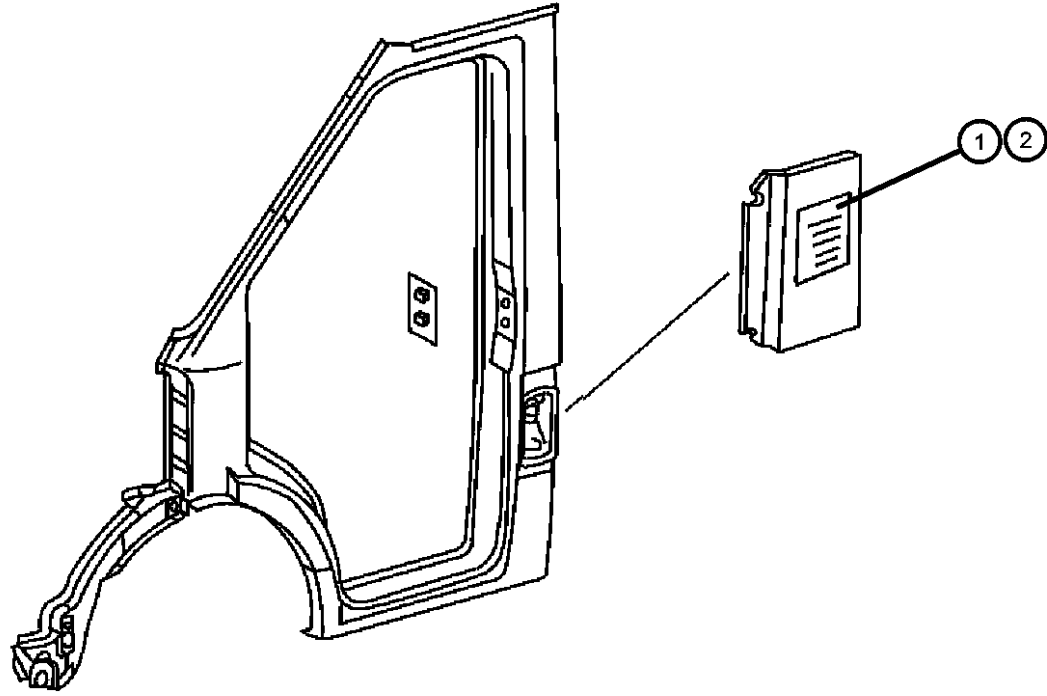
SPRINTER (VA)

SERIES	LINE	BODY	ENGINE	TRANSMISSION
L = LOWLINE	3 = HD DODGE 2WD 8 = HD DODGE 4WD 6 = Lt. Duty DODGE 4WD 2 = Med. Duty DODGE 2WD 7 = Med. Duty DODGE 4WD 4 = TRUCK	12 = Van 140" 51 = Wagon 118" 52 = Wagon 140" 14 = Van 118" 15 = Van 140" 16 = Van 158" 54 = Wagon 118" 55 = Wagon 140" 56 = Wagon 158" 01 = Chassis Forward Control 118" 02 = Chassis Forward Control 140" 06 = Front Section 158" 11 = Van 118"	EX8 = Engine - 2.7L I5 Mercedes-Benz TD	DGJ = Transmission - 5-Spd Auto, MB

AR = use ase required - = Non illustrated part

Fuel Door & Filler
Figure LBL5-410

ITEM	PART NUMBER	QTY	LINE	SERIES	BODY	ENGINE	TRANS	TRIM	DESCRIPTION
1									LABEL, Fuel
	05104152AA	1		L	01, 02, 06	EX8			
		1		L	11, 12, 14, 15, 16	EX8			
		1		L	51, 52, 54, 55, 56	EX8			
		1		L	02, 06	EX8			
		1		L	12, 15, 16	EX8			
2									LABEL, Diesel Fuel
	05104153AA	1		L	01, 02, 06	EX8			
		1		L	11, 12, 14, 15, 16	EX8			
		1		L	51, 52, 54, 55, 56	EX8			
		1		L	02, 06	EX8			
		1		L	12, 15, 16	EX8			



SPRINTER (VA)

SERIES	LINE	BODY	ENGINE	TRANSMISSION
L = LOWLINE	3 = HD DODGE 2WD 8 = HD DODGE 4WD 6 = Lt. Duty DODGE 4WD 2 = Med. Duty DODGE 2WD 7 = Med. Duty DODGE 4WD 4 = TRUCK	12 = Van 140" 51 = Wagon 118" 52 = Wagon 140" 14 = Van 118" 15 = Van 140" 16 = Van 158" 54 = Wagon 118" 55 = Wagon 140" 56 = Wagon 158" 01 = Chassis Forward Control 118" 02 = Chassis Forward Control 140" 06 = Front Section 158" 11 = Van 118"	EX8 = Engine - 2.7L I5 Mercedes-Benz TD	DGJ = Transmission - 5-Spd Auto, MB

AR = use ase required - = Non illustrated part

2005 VA