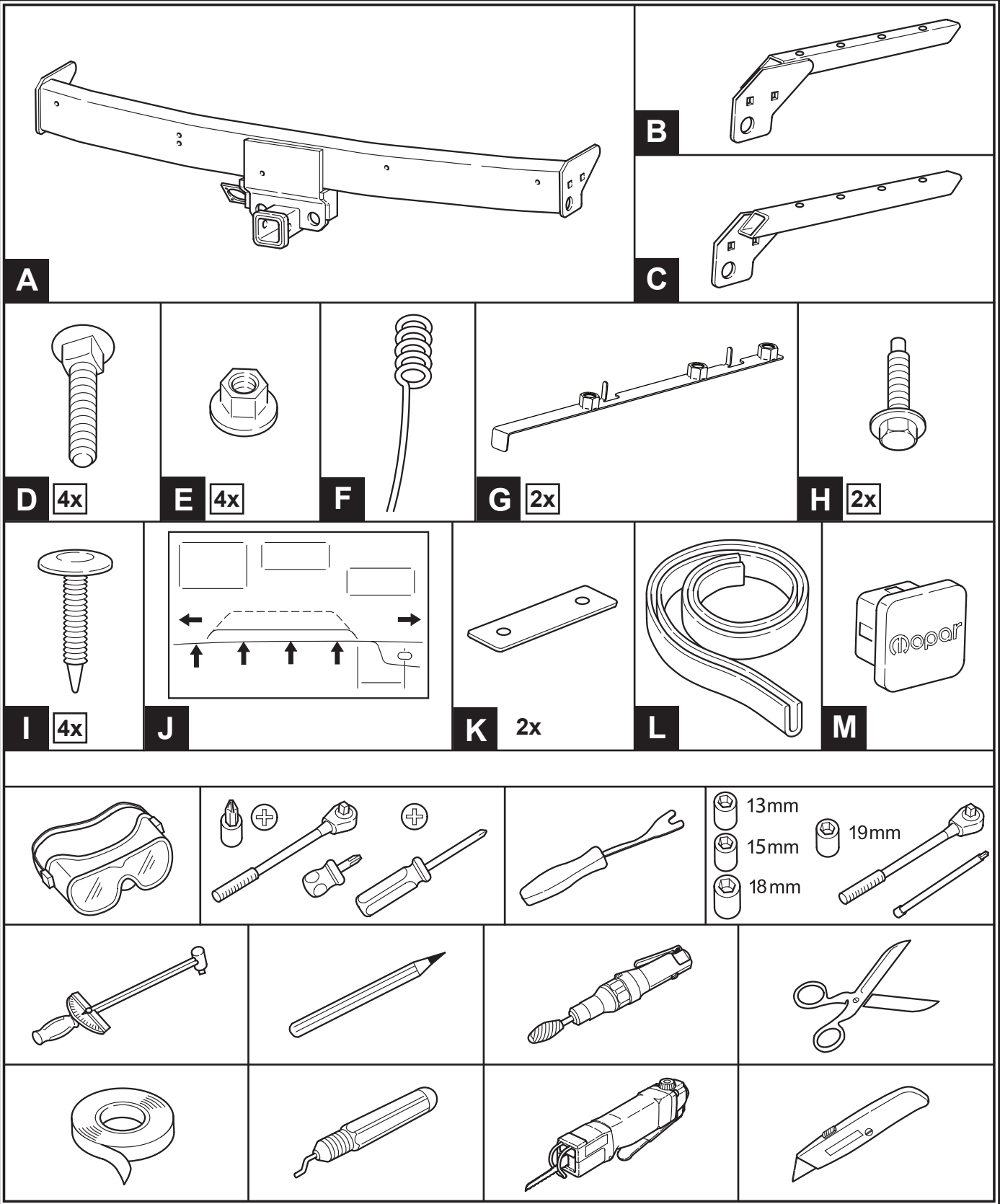


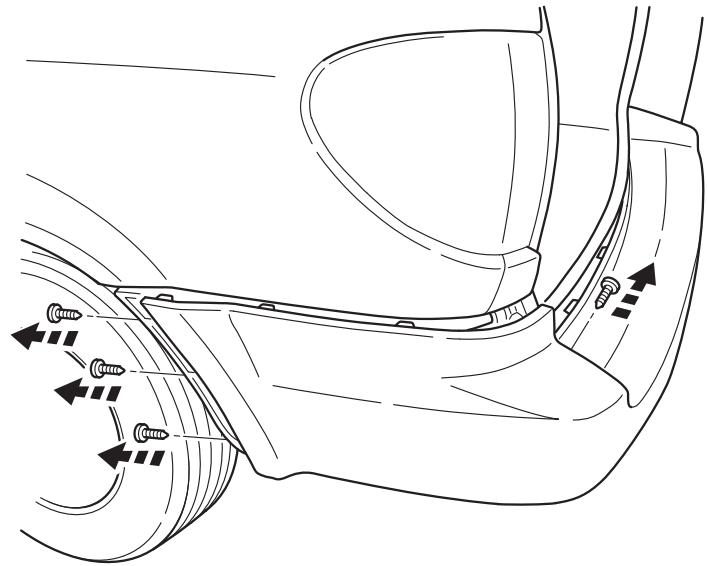
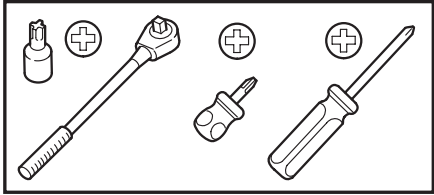
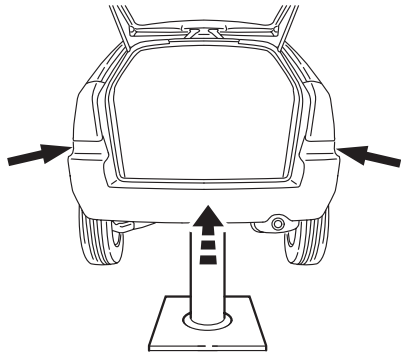


CHRYSLER, DODGE MINIVAN

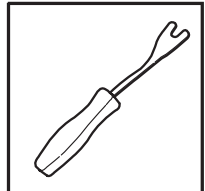
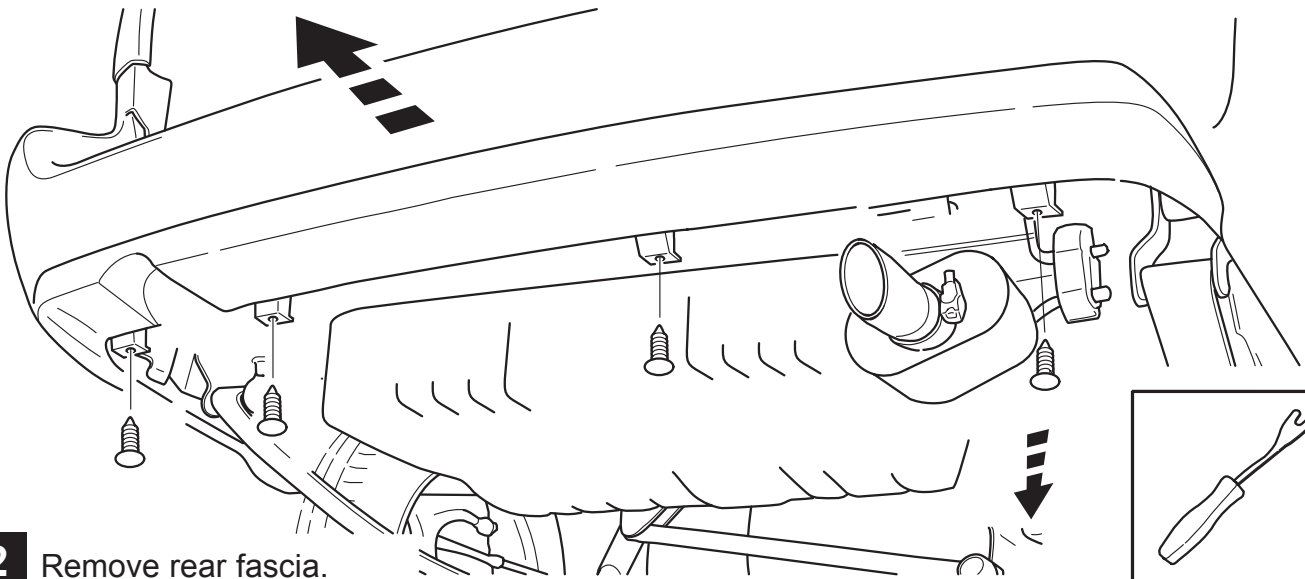
2008 AND FORWARD

Trailer Hitch

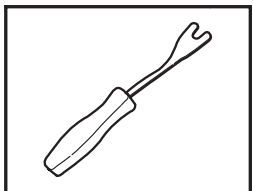
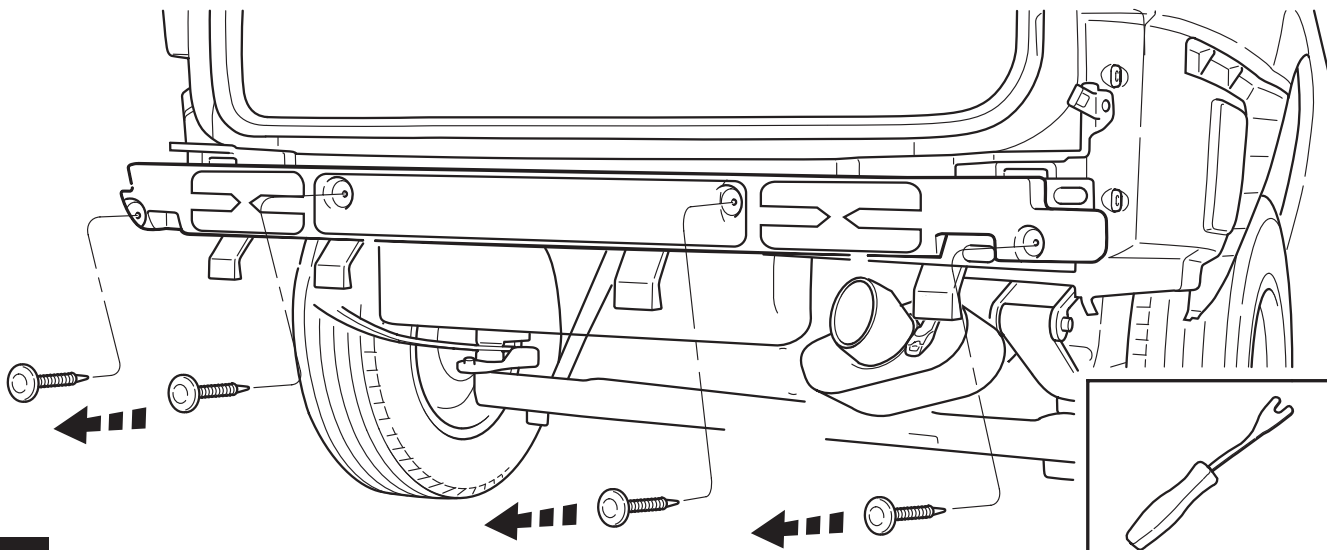




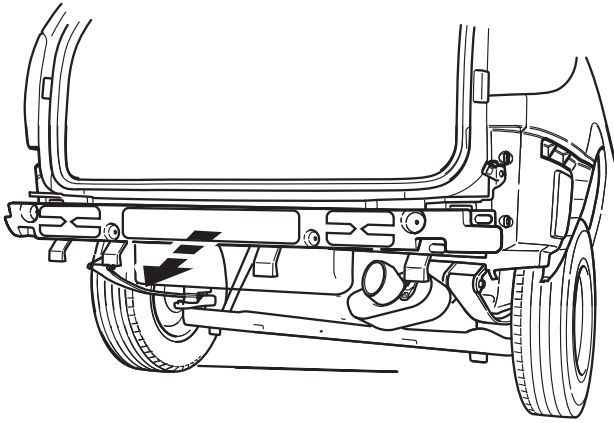
1



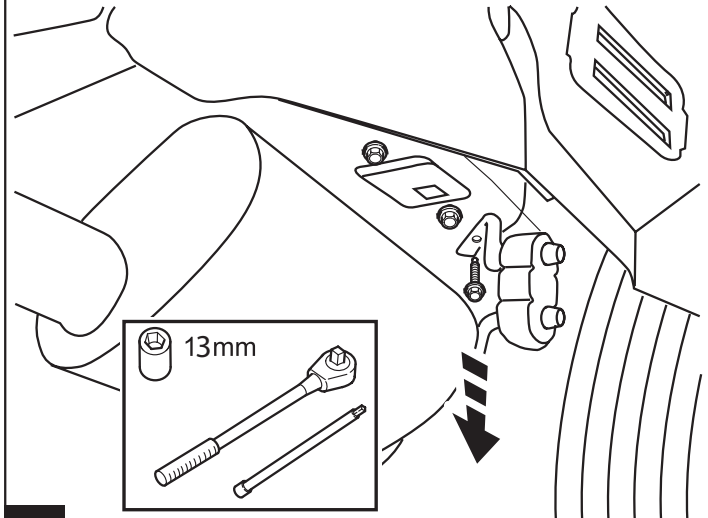
2 Remove rear fascia.



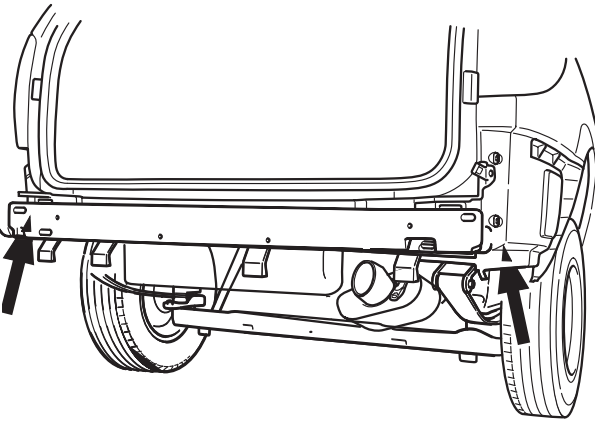
3 Remove (4) plastic retainers.



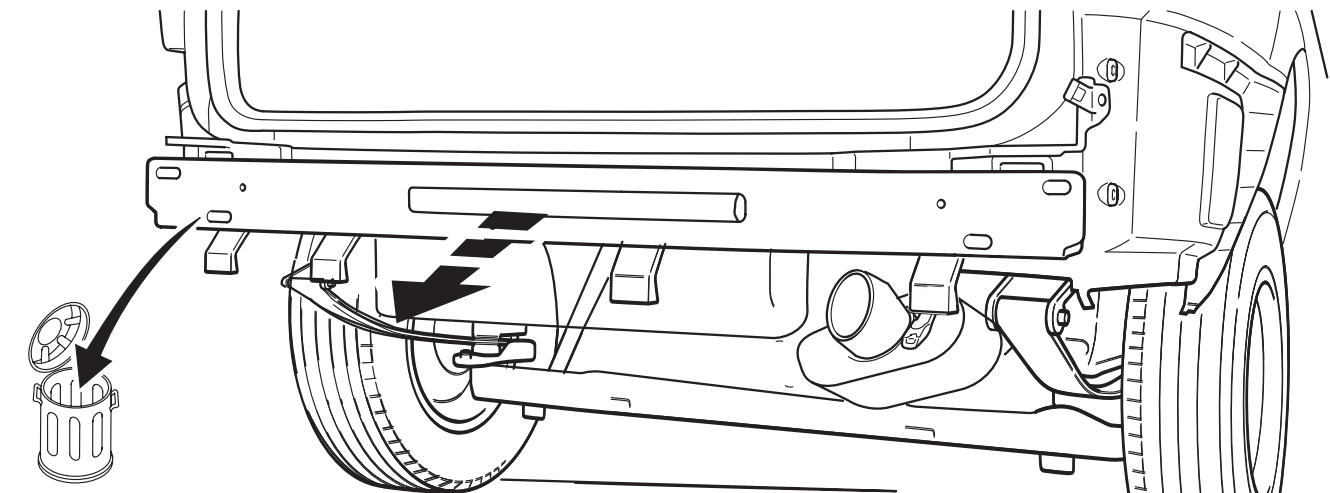
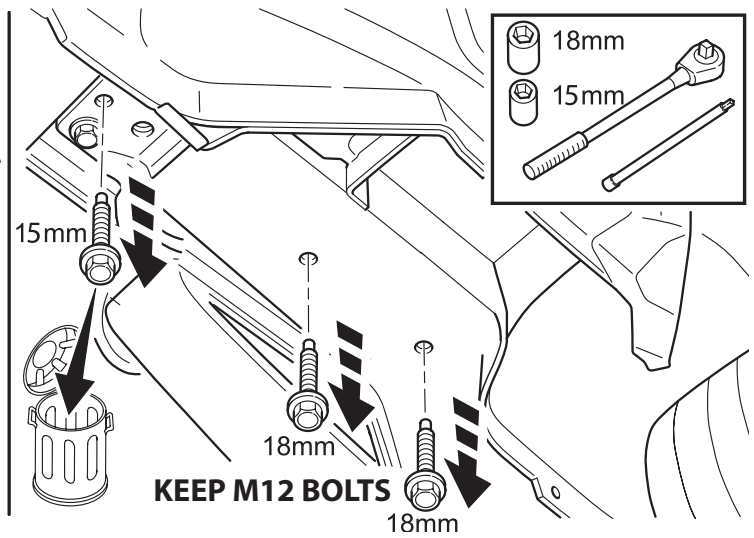
4 Remove plastic fascia support.



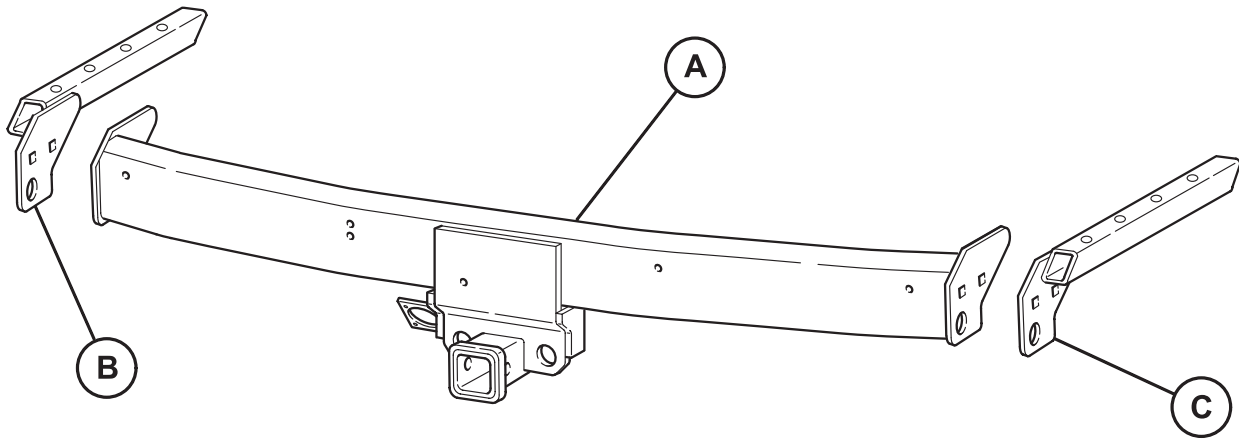
5 Remove bolt holding muffer hanger



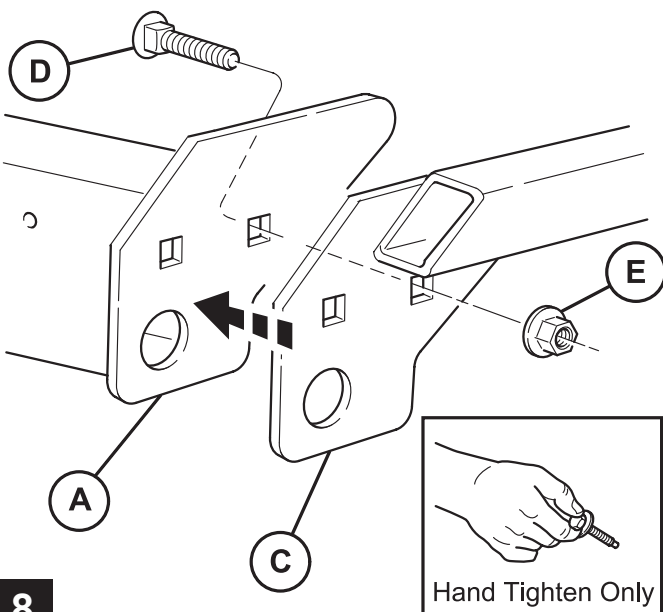
6 Remove (6) bolts attaching metal bumper to frame rails. **Keep M12 bolts**, discard M10 bolts.



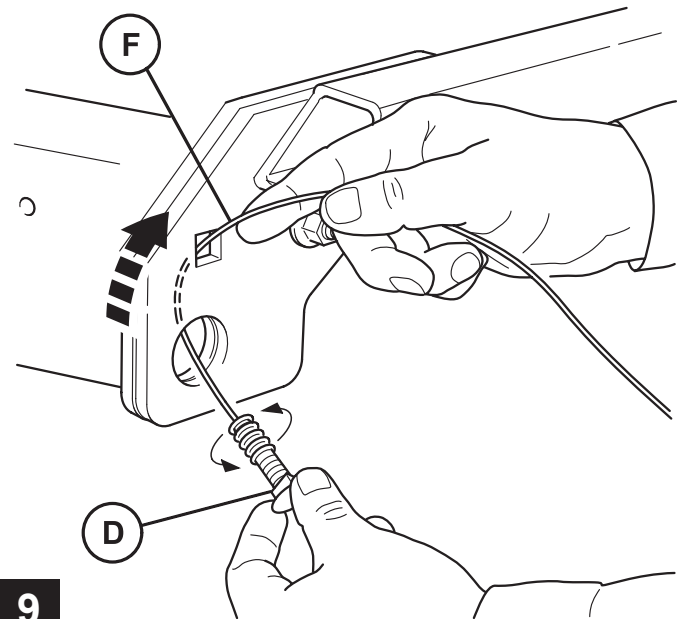
7 Remove and discard metal bumper assembly.



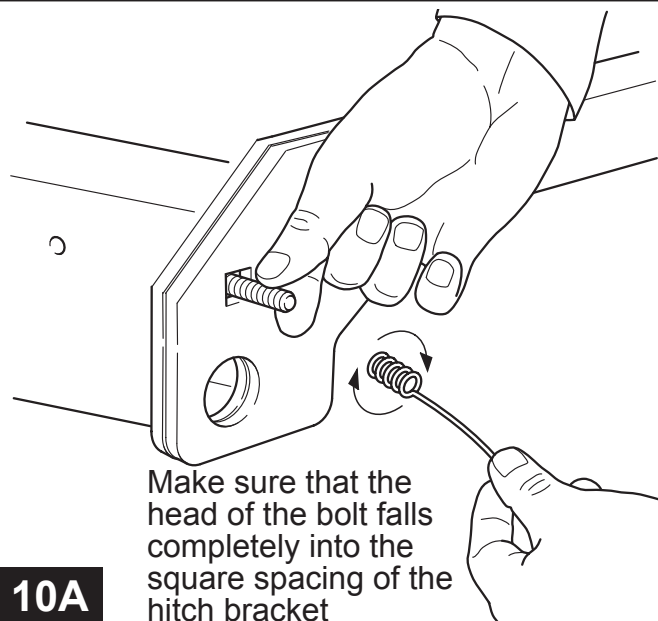
Assemble left and right rail extensions to trailer hitch.



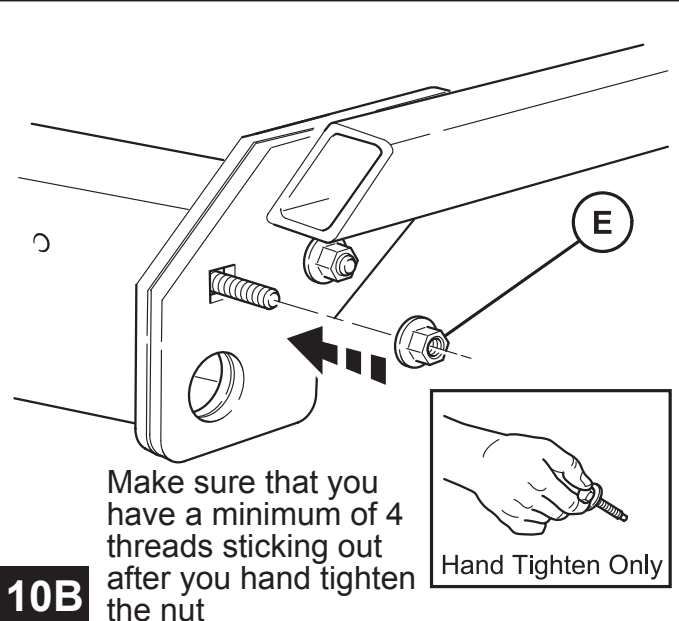
8



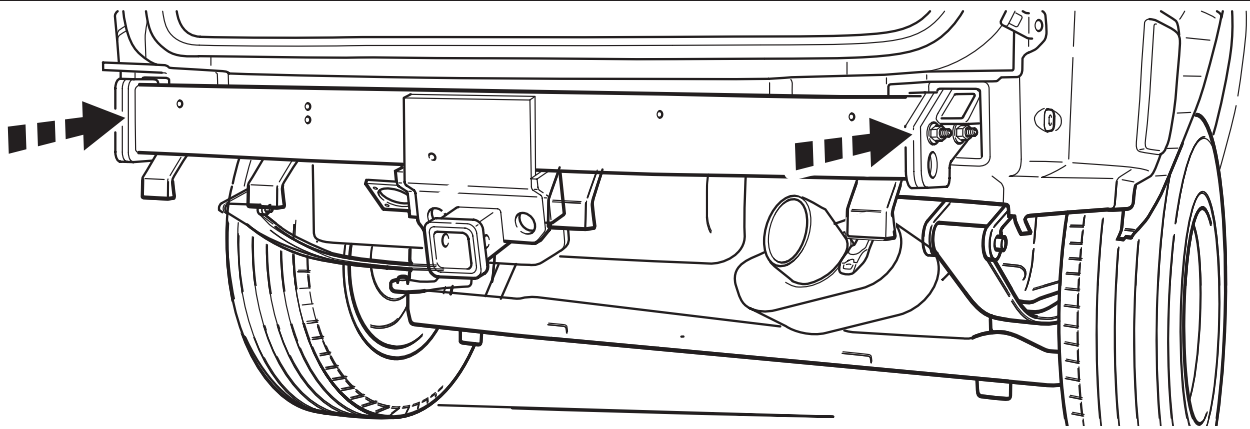
9



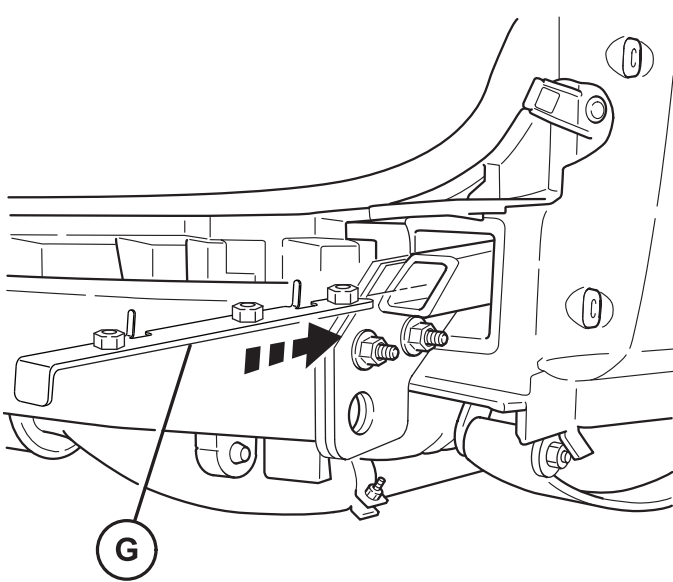
10A



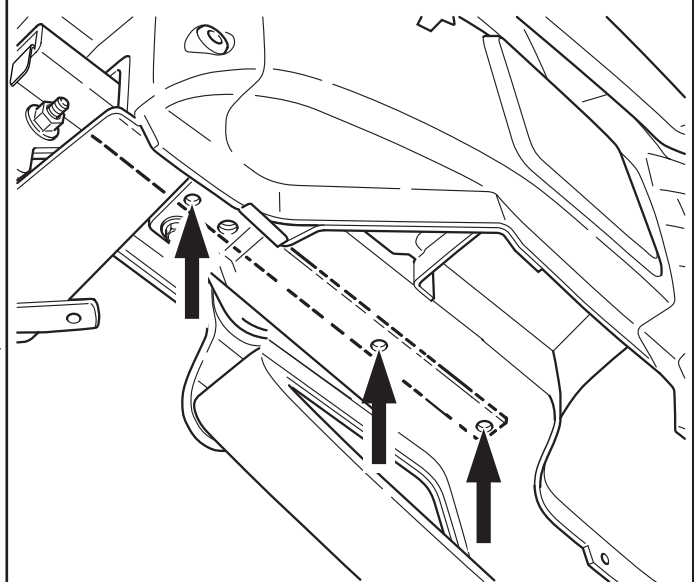
10B



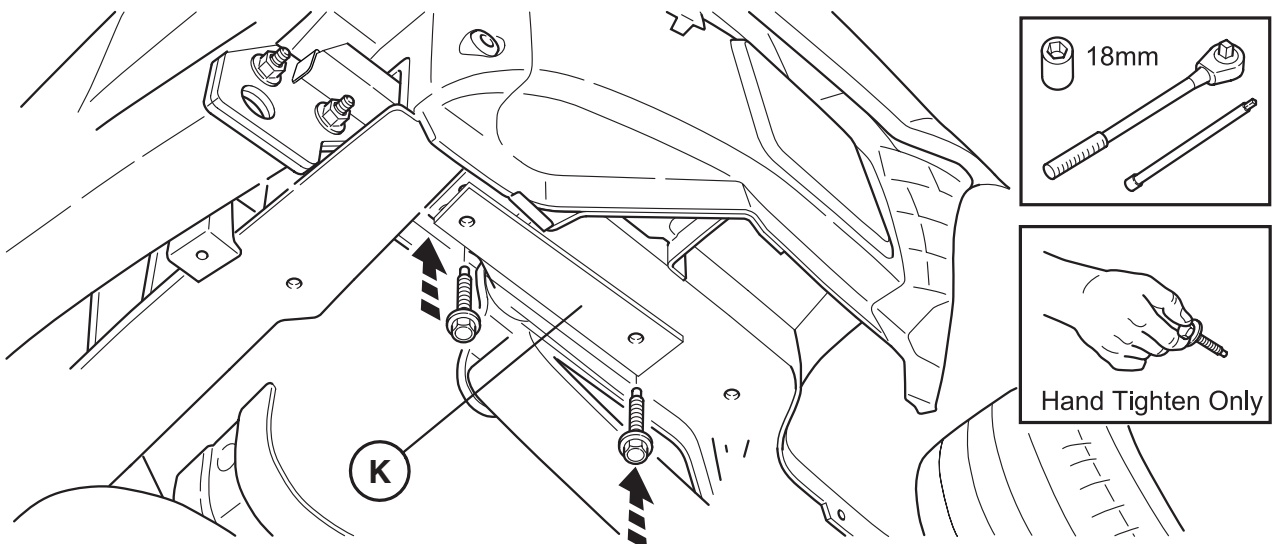
11 Raise hitch assembly up to the vehicle. Insert left and right rail extensions into frame rails and push in the hitch assembly.



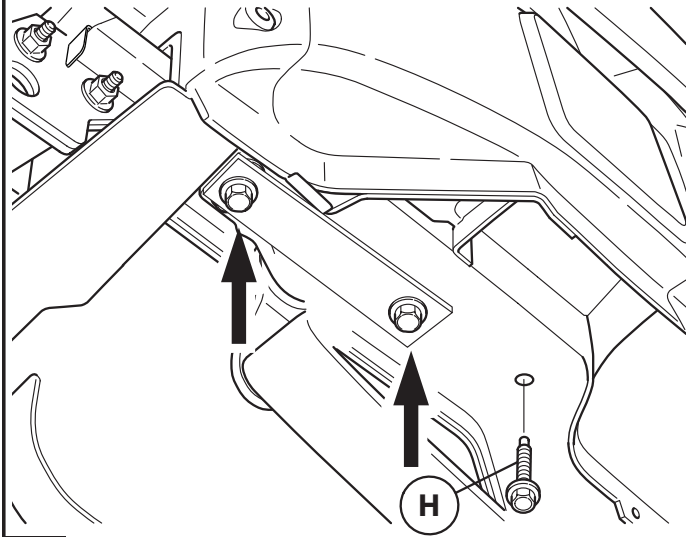
12 Insert handle nuts into rail extensions.



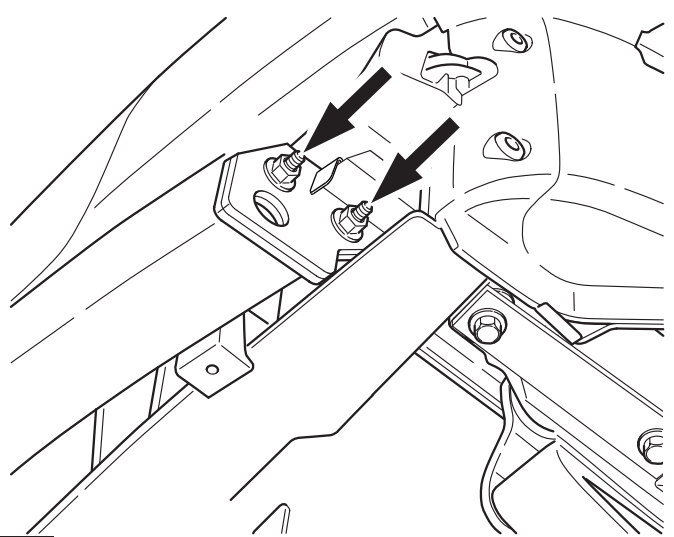
13 Align holes in rail extensions to those in the frame rails and handle nuts.



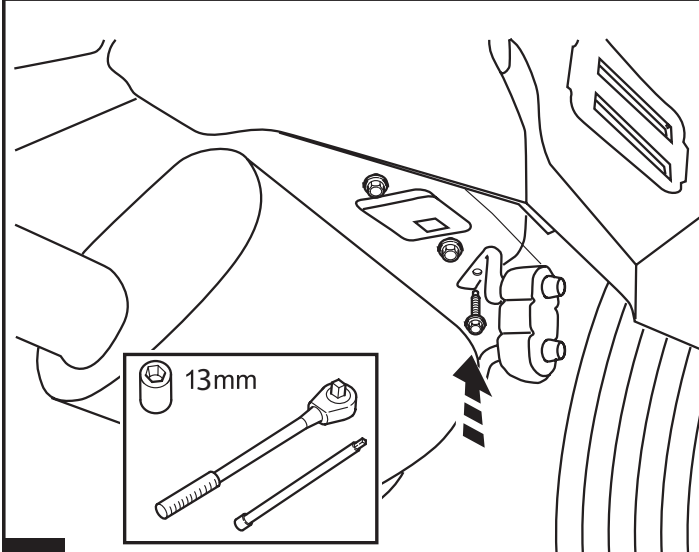
14 Lift up on hitch crossbar to help align holes, install the mounting plate **re-using M12 bolts from step 6**.



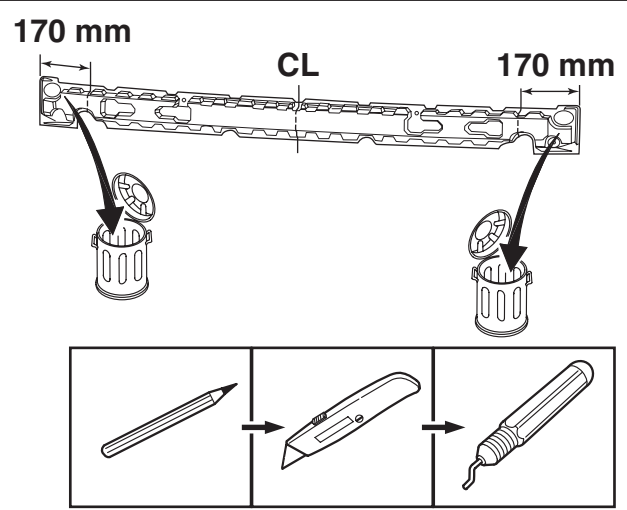
15 Tighten bolts to 75 ft.-lbs. (101 N-m).



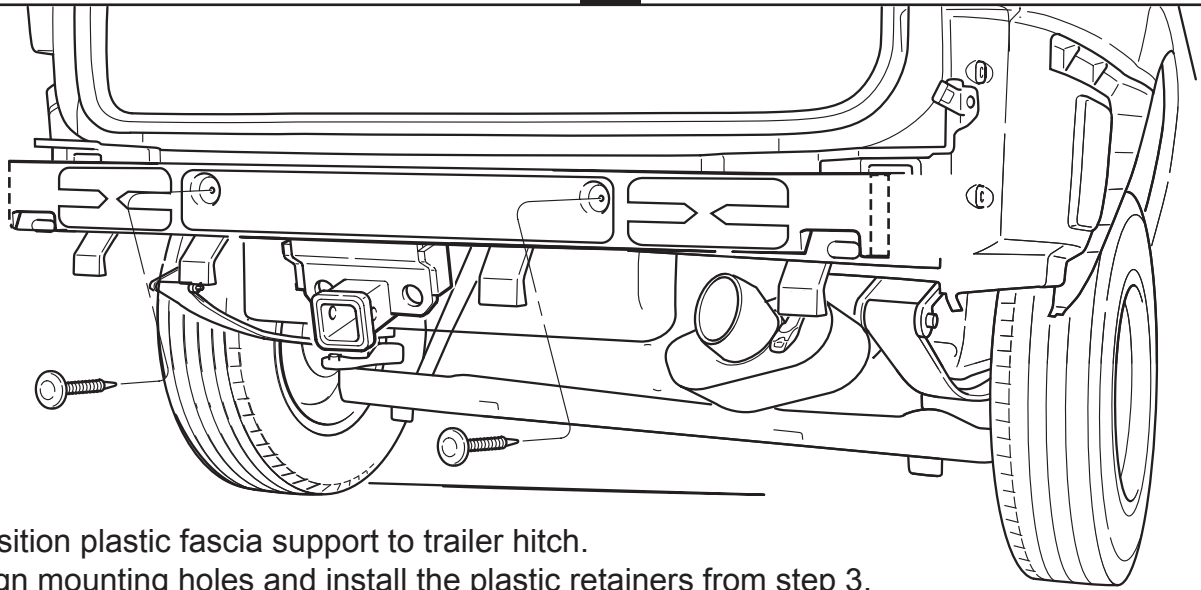
16 Tighten nuts to 75 ft.-lbs. (101 N-m).



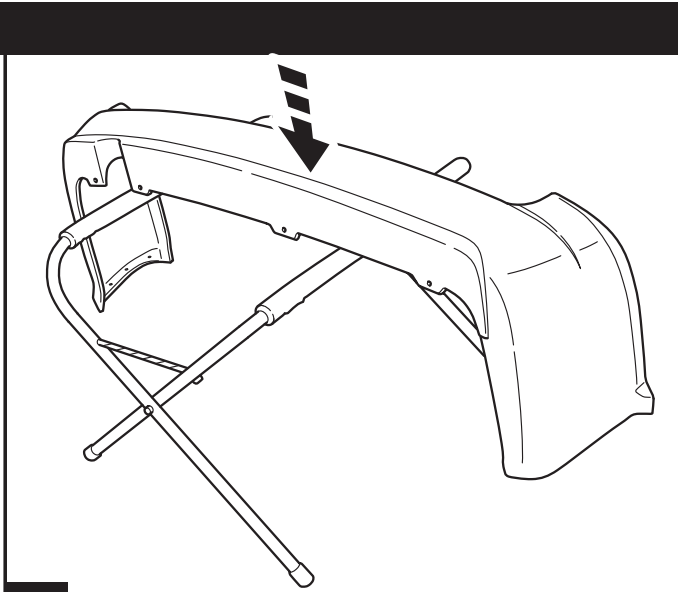
17 Re-install bolt holding muffler hanger



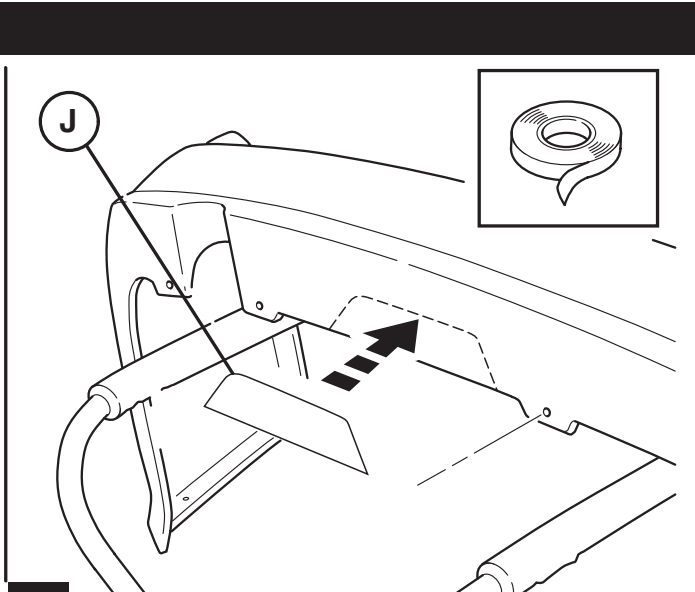
18 Cut off 170 mm off of each end of plastic fascia



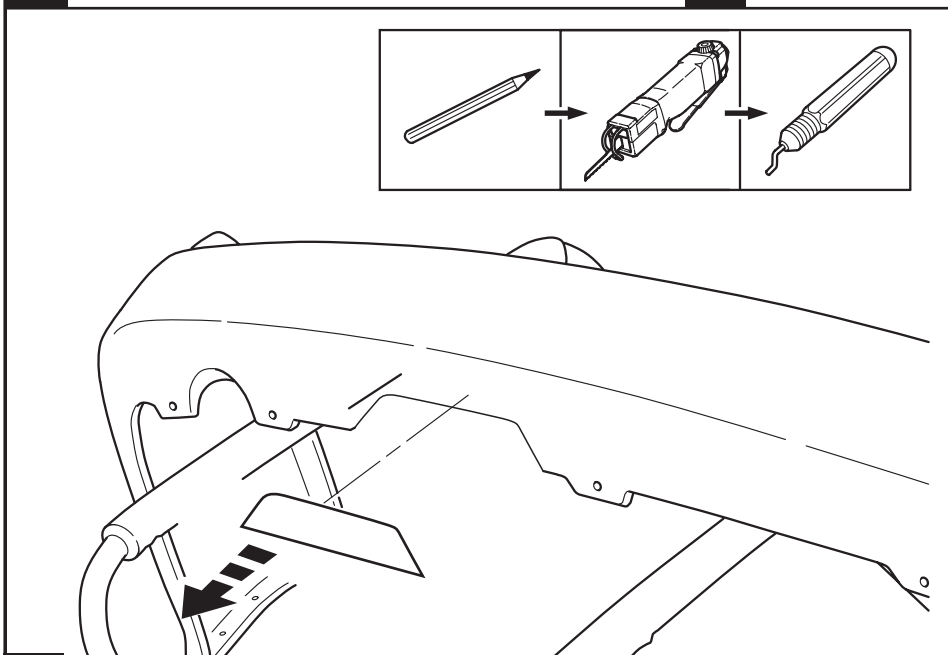
19 Position plastic fascia support to trailer hitch. Align mounting holes and install the plastic retainers from step 3.



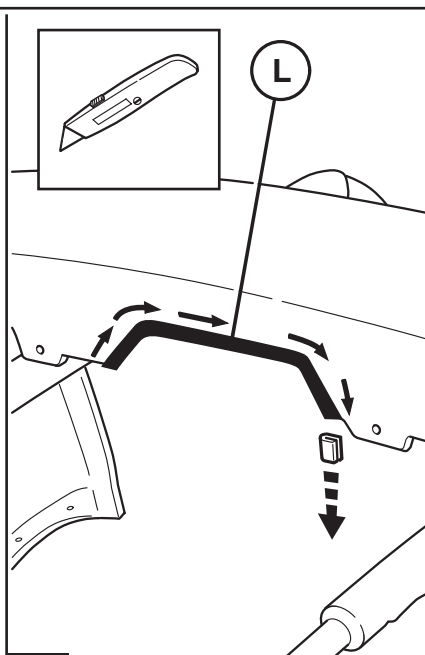
20 Place fascia on a protected surface.



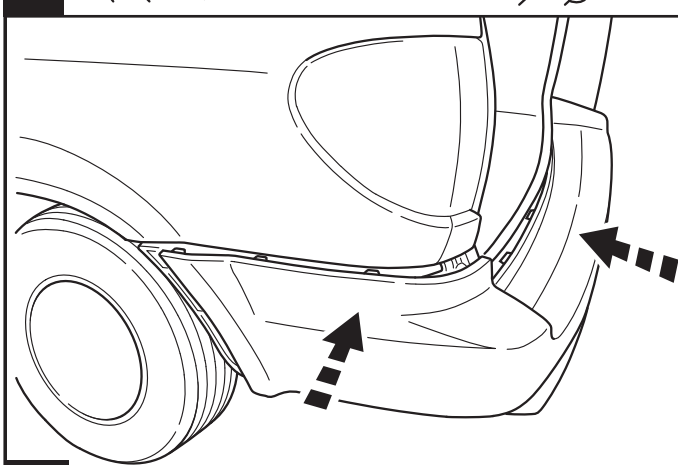
21



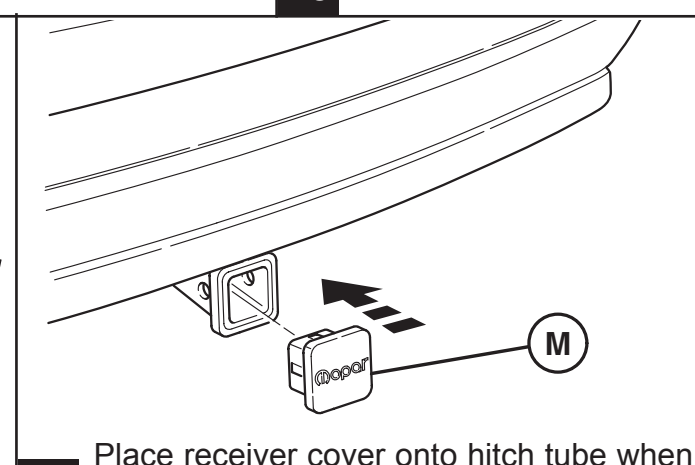
22



23



24 Re-install rear fascia (See Step 1).



25 Place receiver cover onto hitch tube when hitch is not in use.