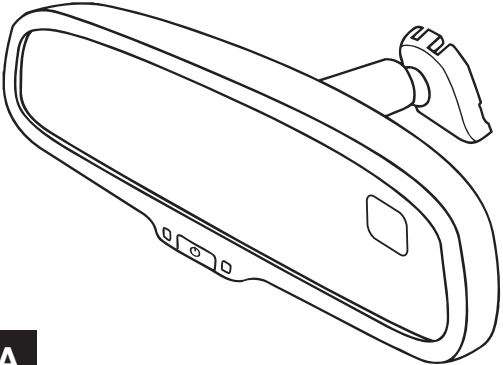

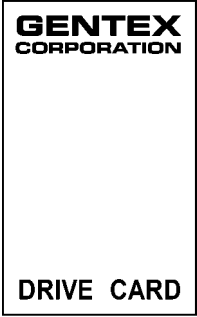
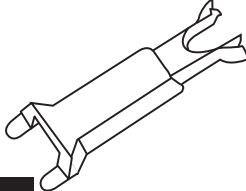
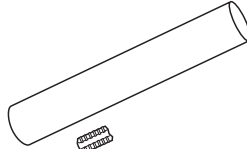

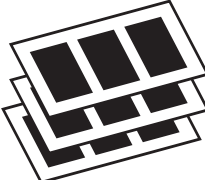

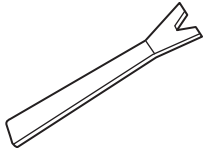
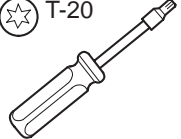
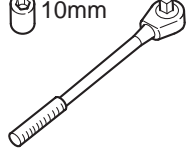




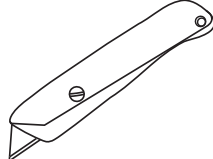
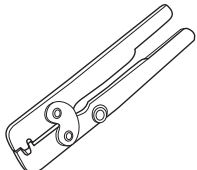
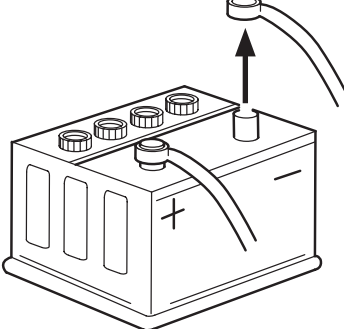
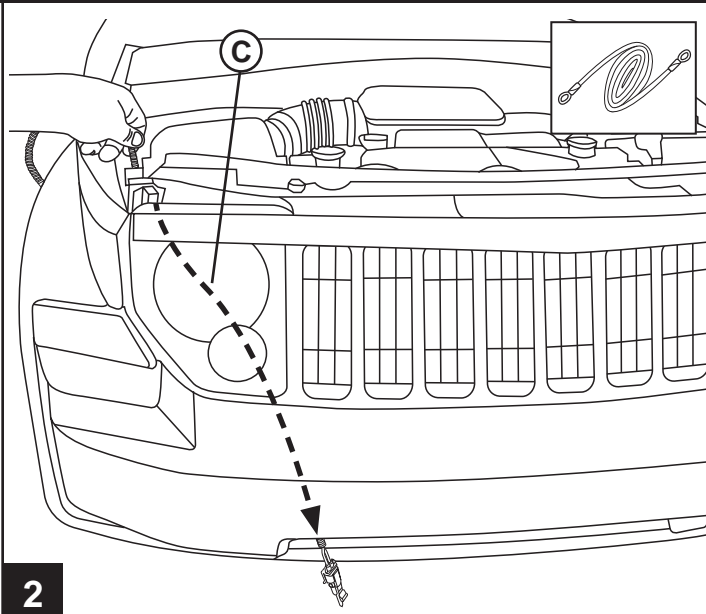




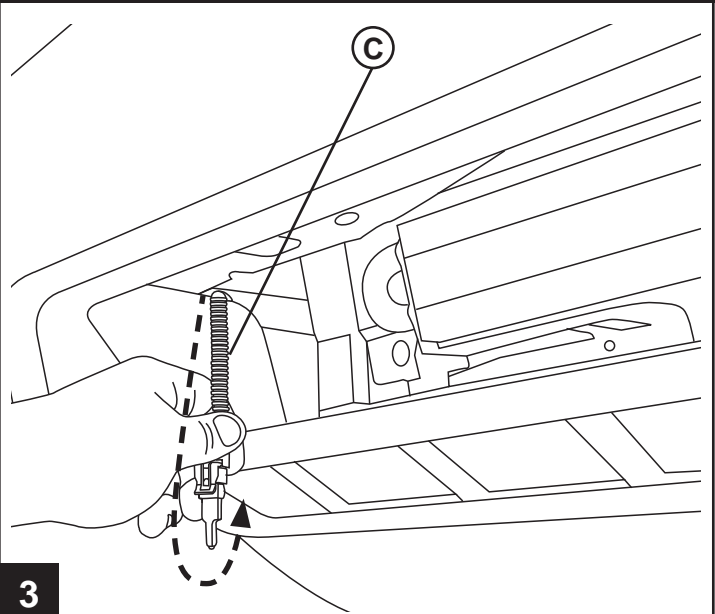
JEEP LIBERTY

Auto-Dimming Mirror with Compass and Temperature

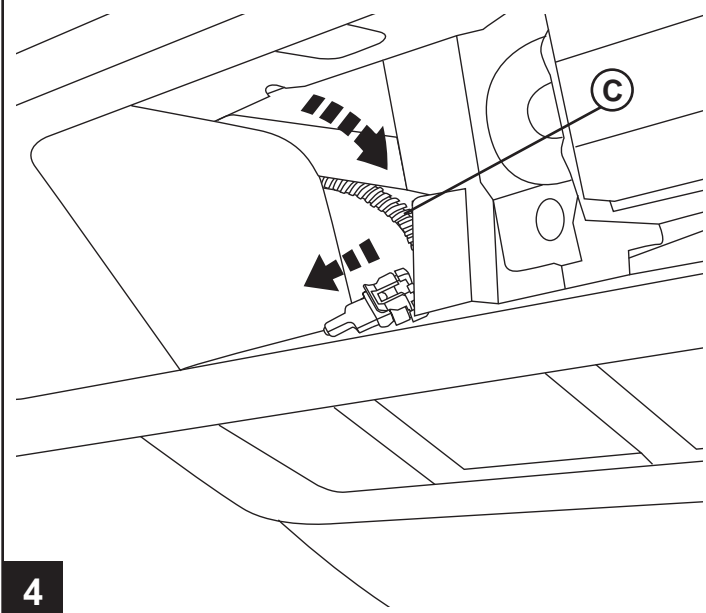
 A	 B			
 E	 F 2x	 G 5x	 I 9x	 J
	 T-20	 10mm		
	 RTV SEALANT			
1				



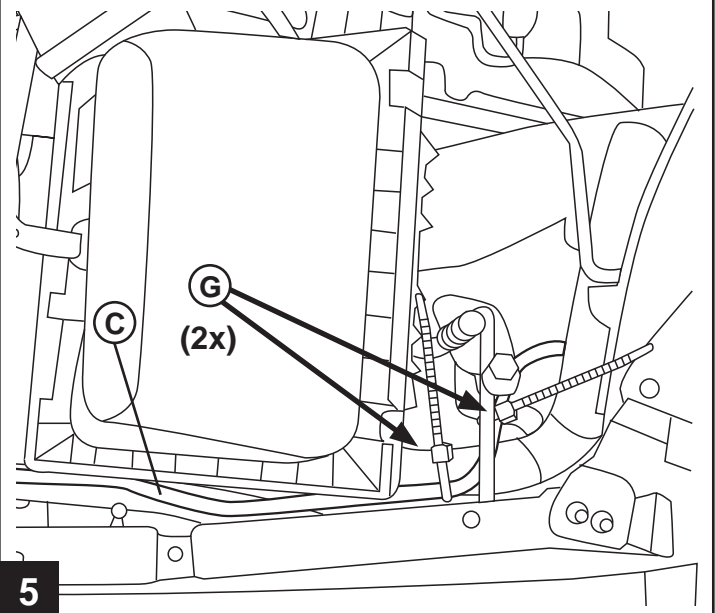
2



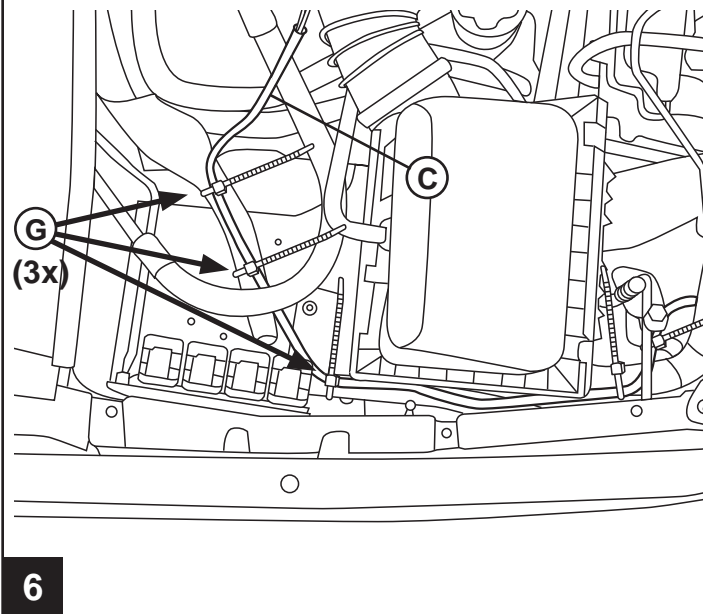
3



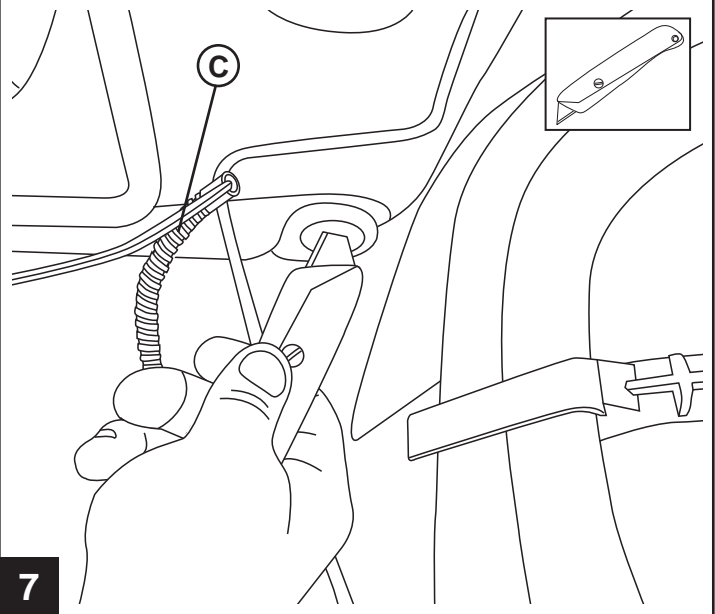
4



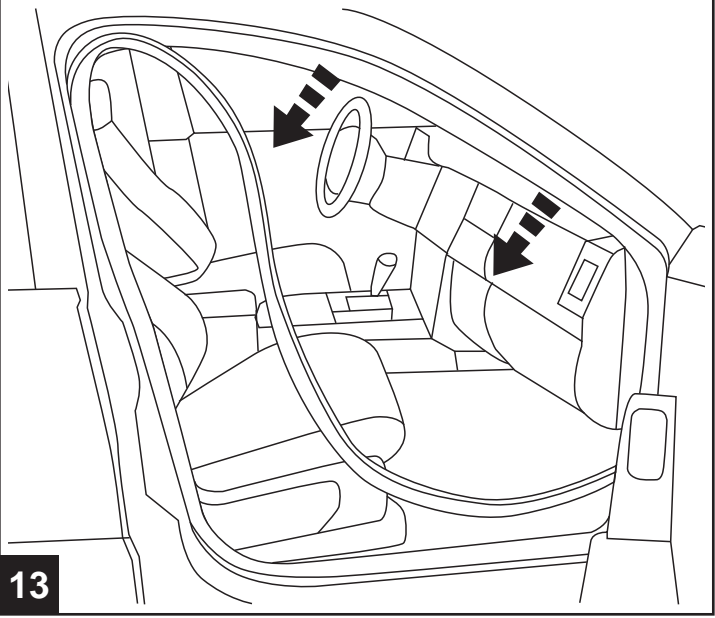
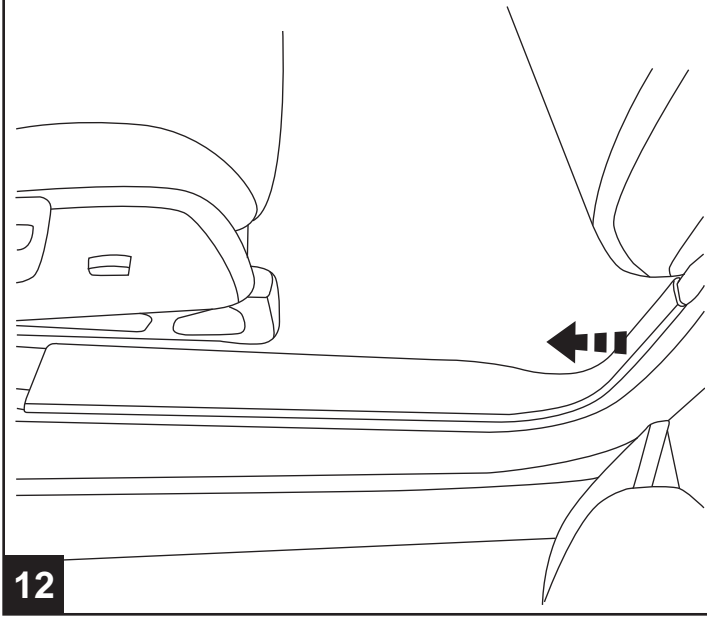
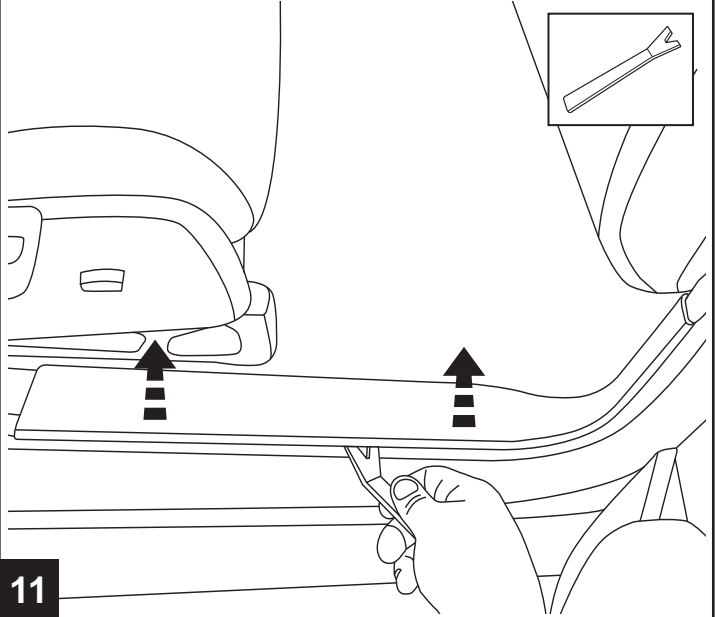
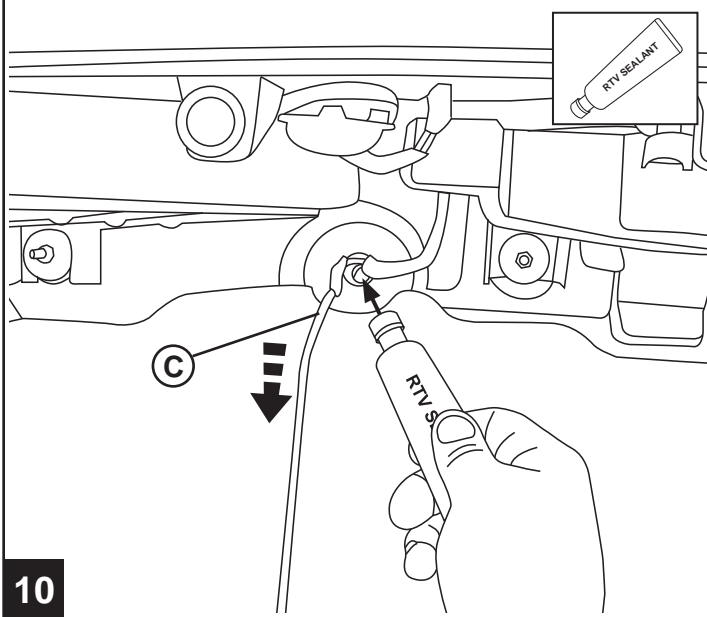
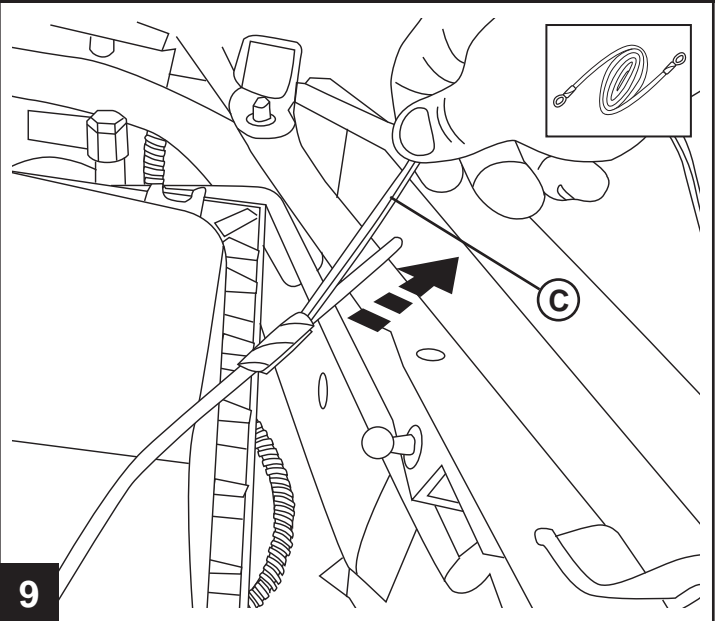
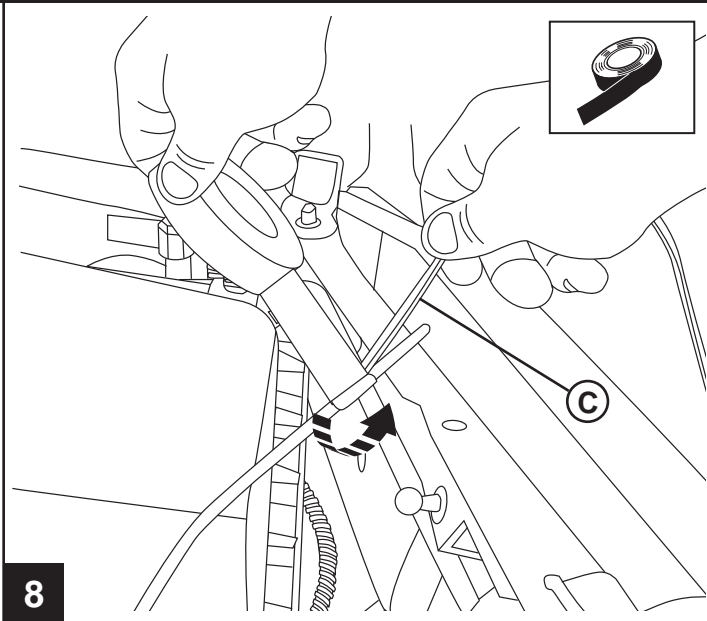
5

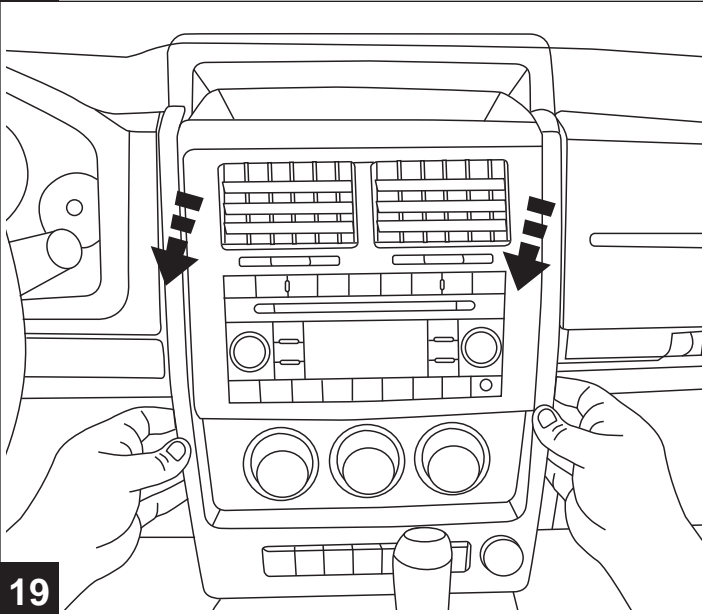
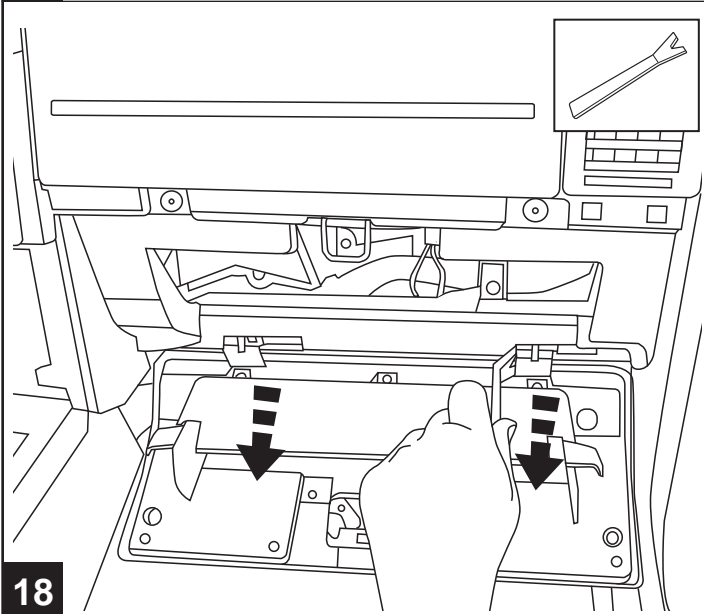
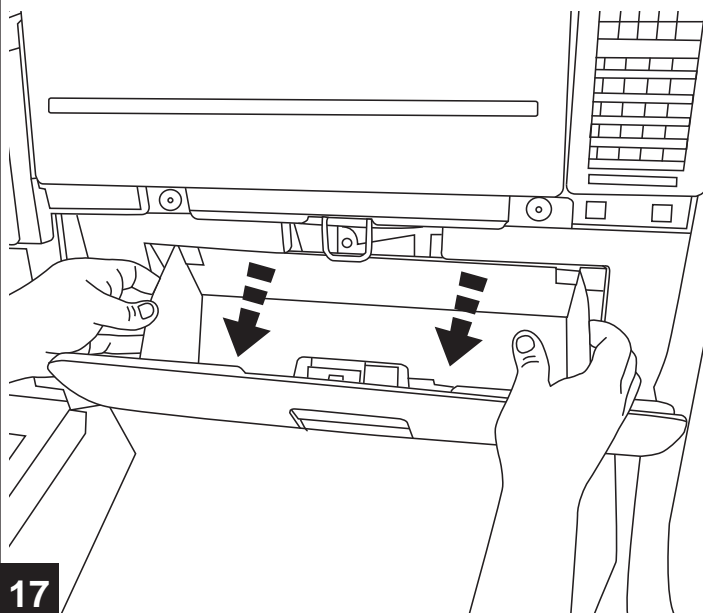
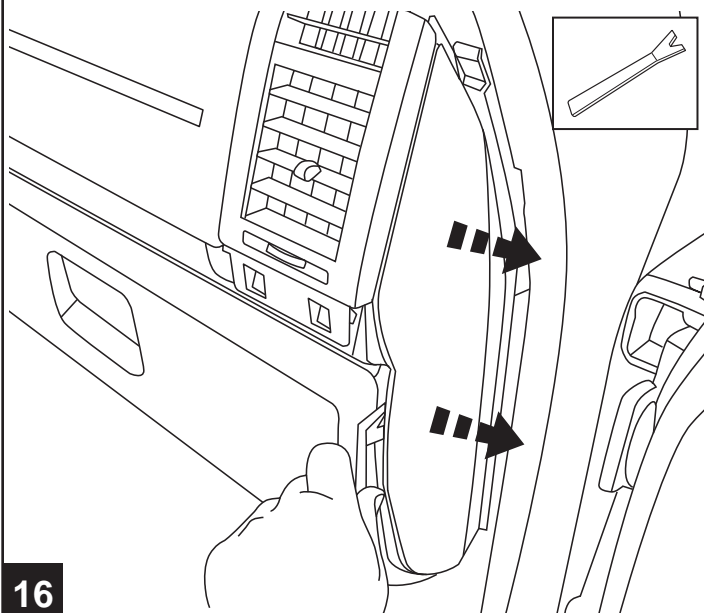
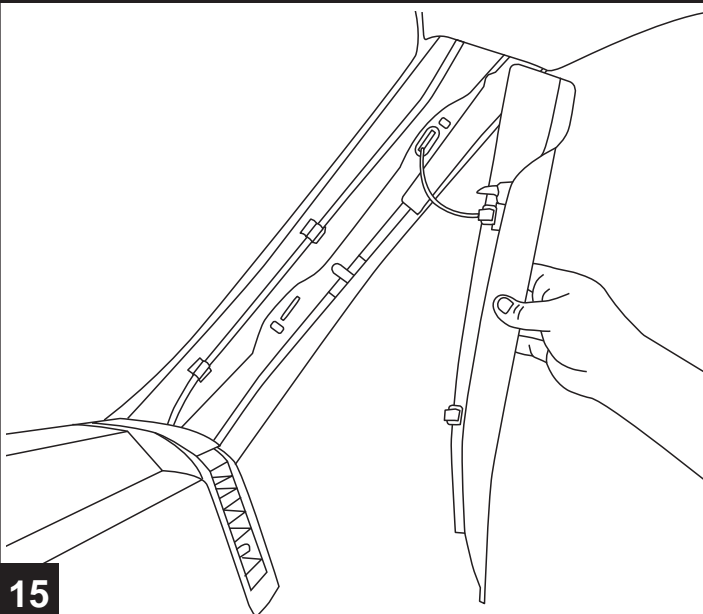
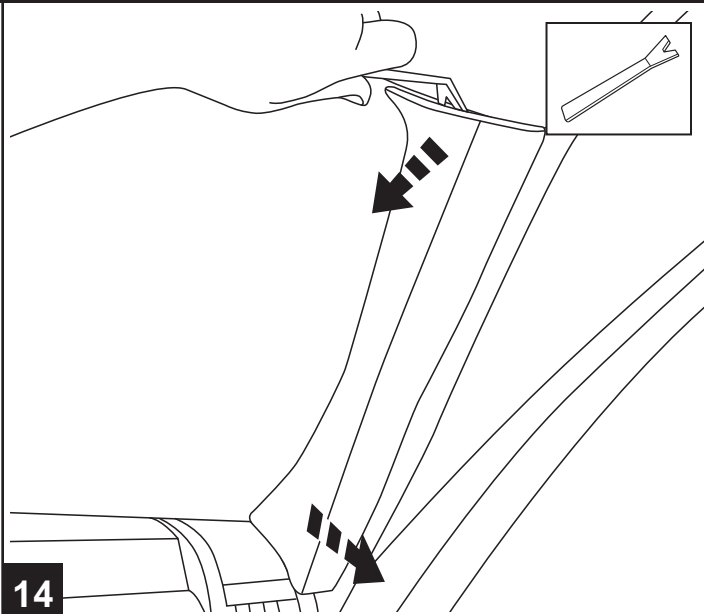


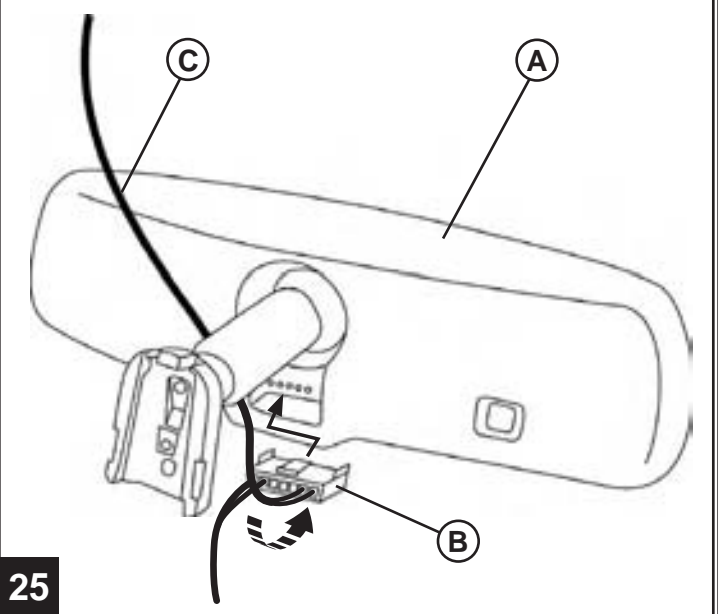
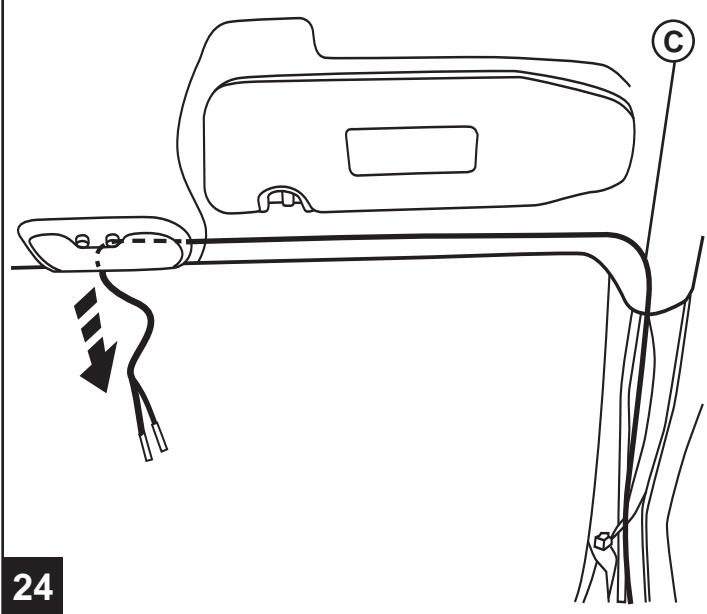
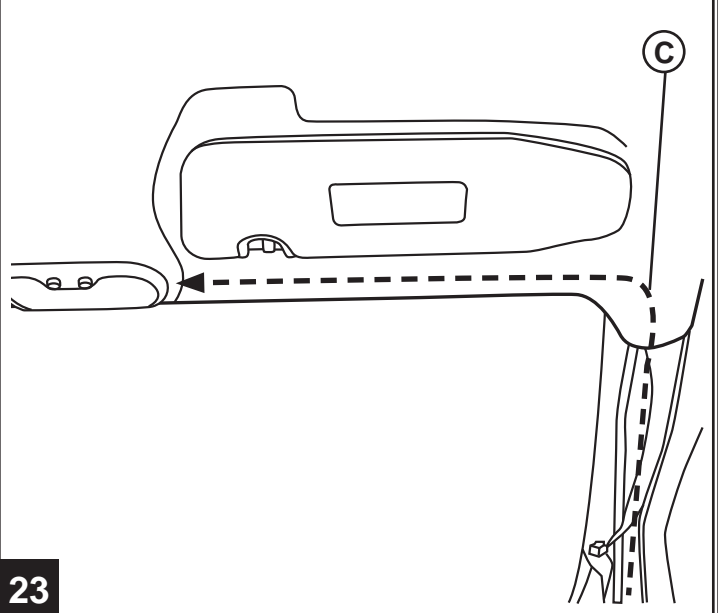
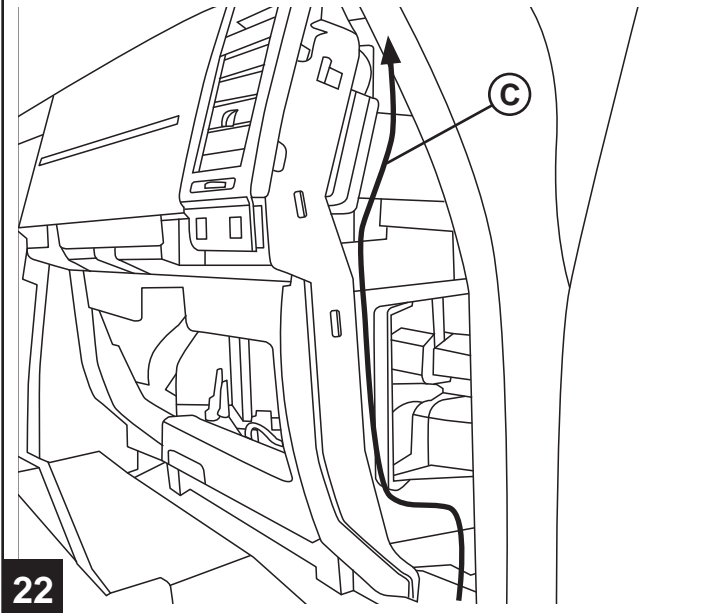
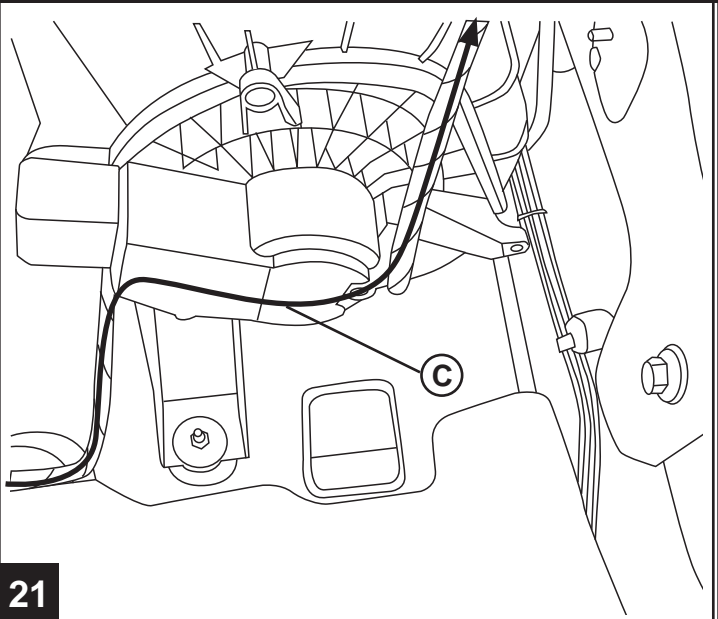
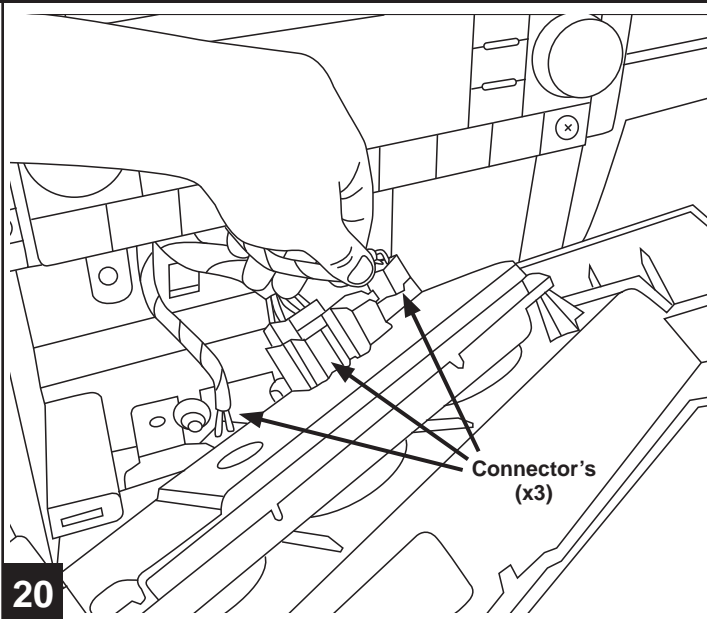
6

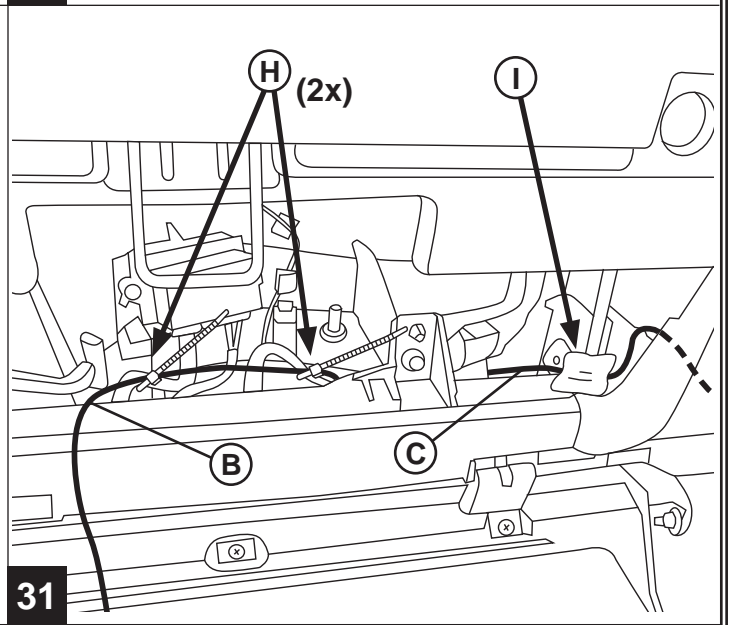
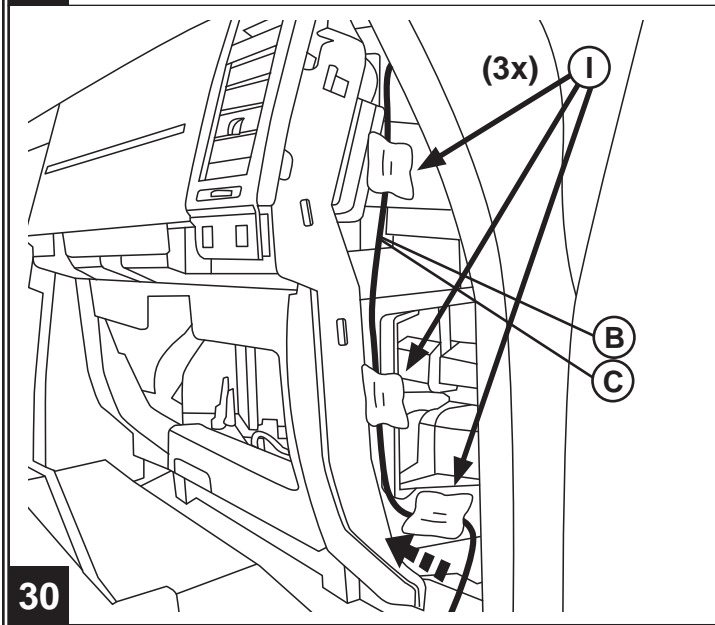
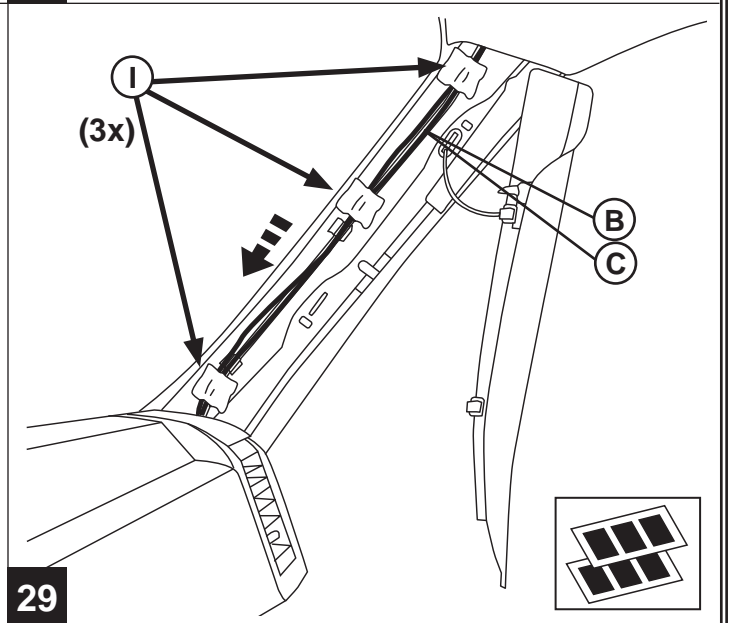
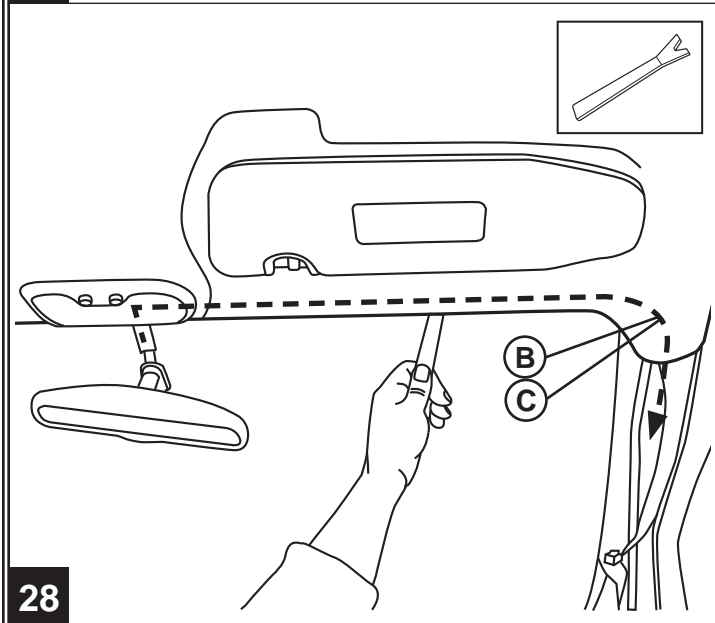
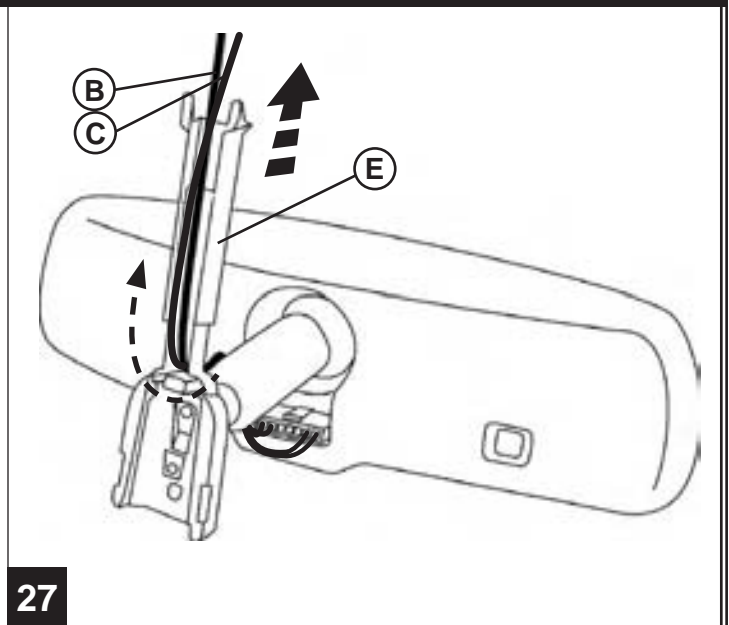
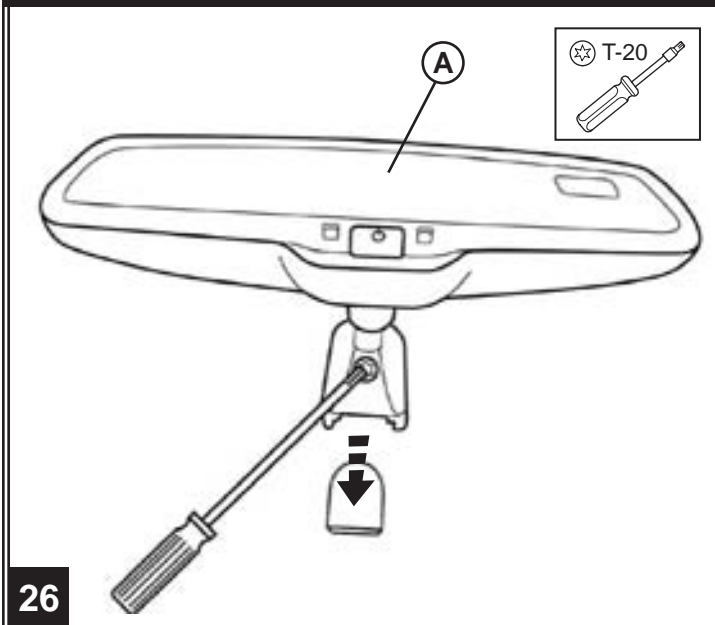


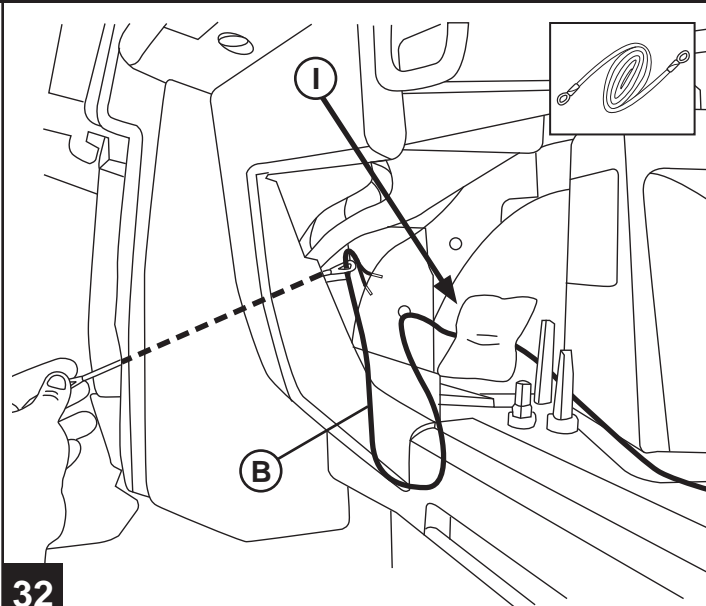
7



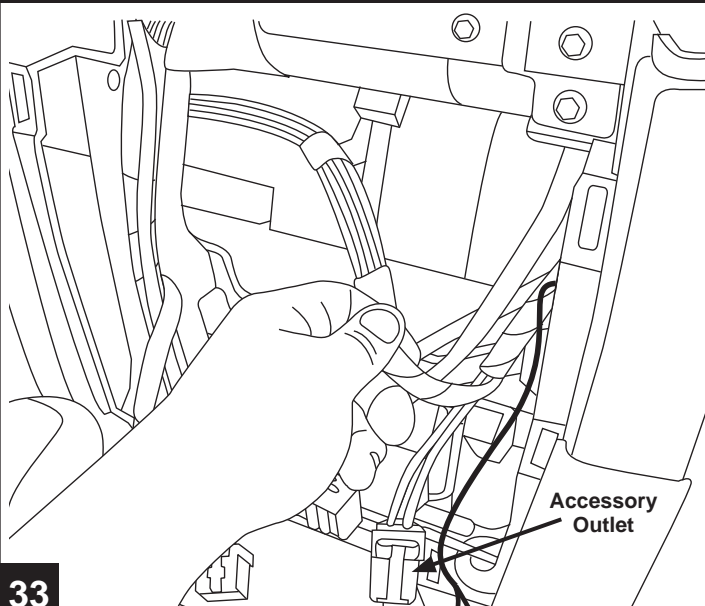




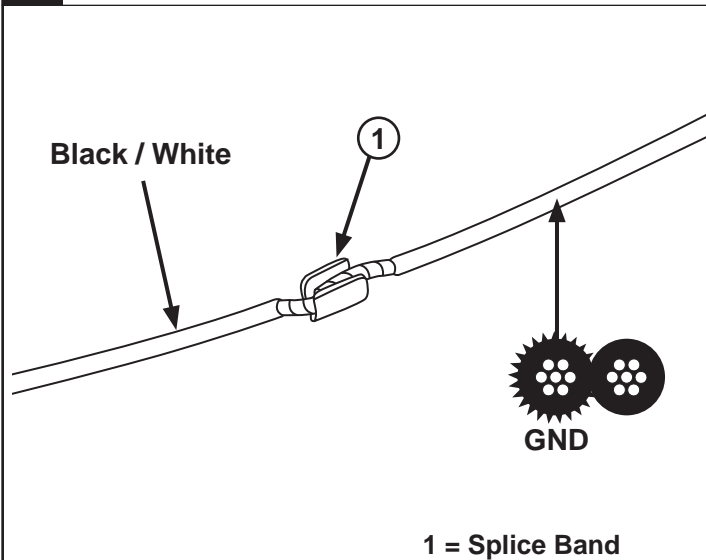




32

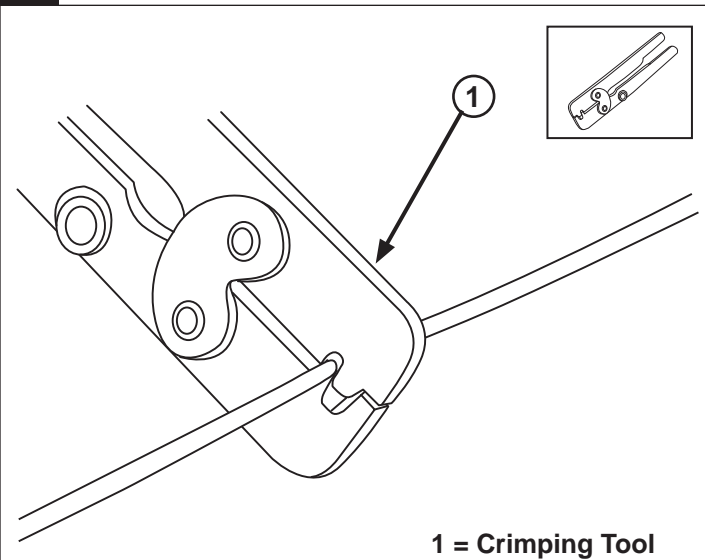


33



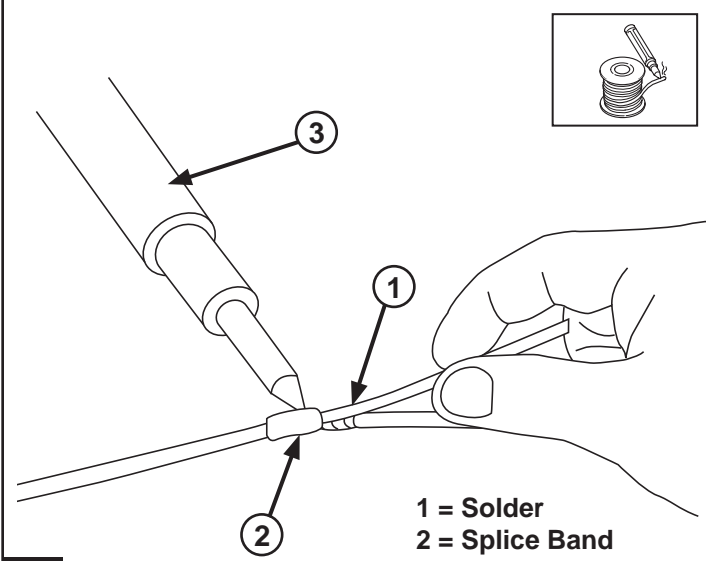
34

1 = Splice Band



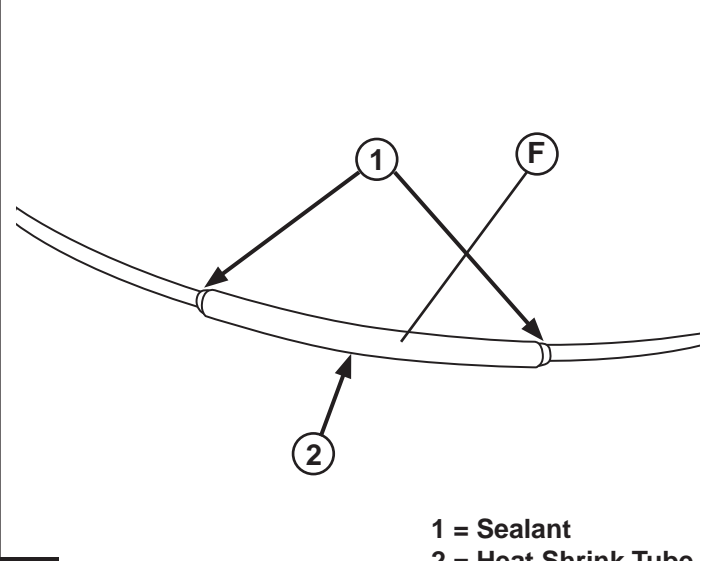
35

1 = Crimping Tool



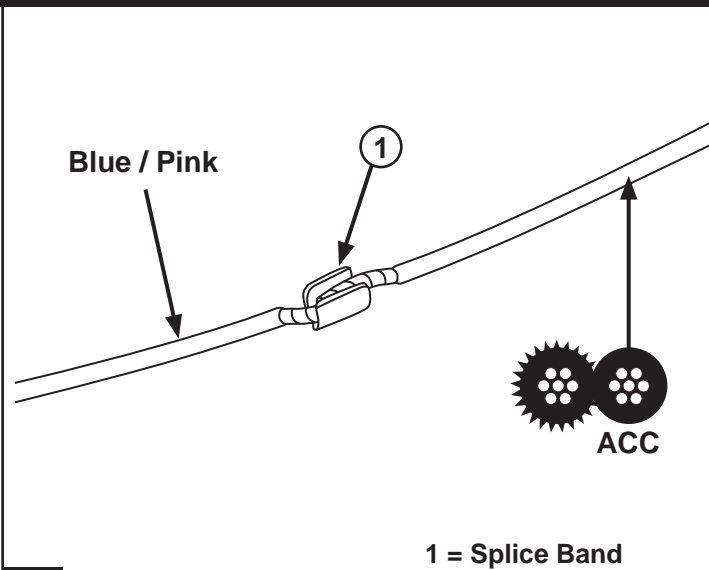
36

1 = Solder
2 = Splice Band
3 = Soldering Iron

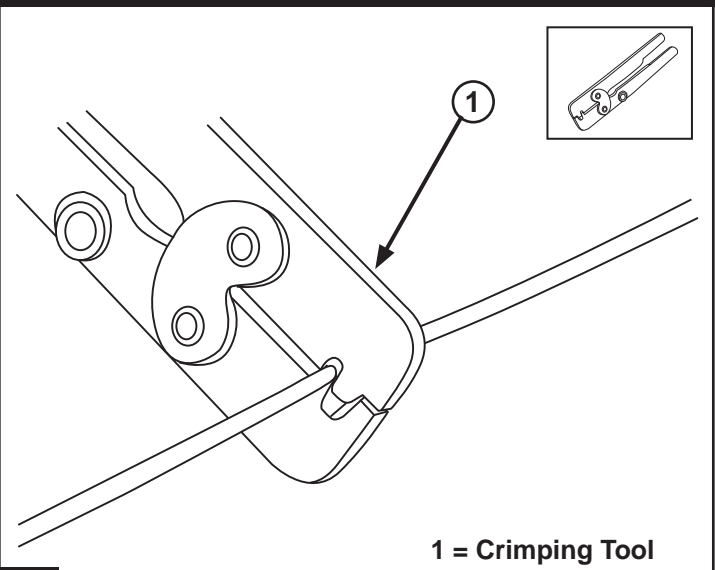


37

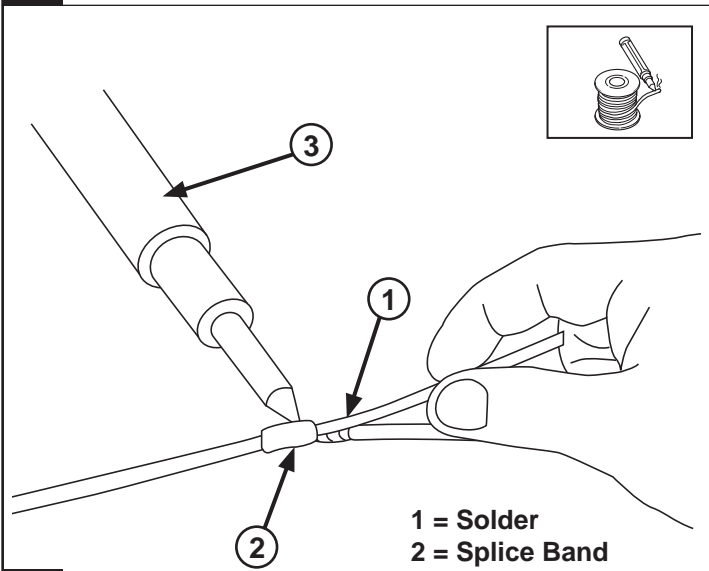
1 = Sealant
2 = Heat Shrink Tube



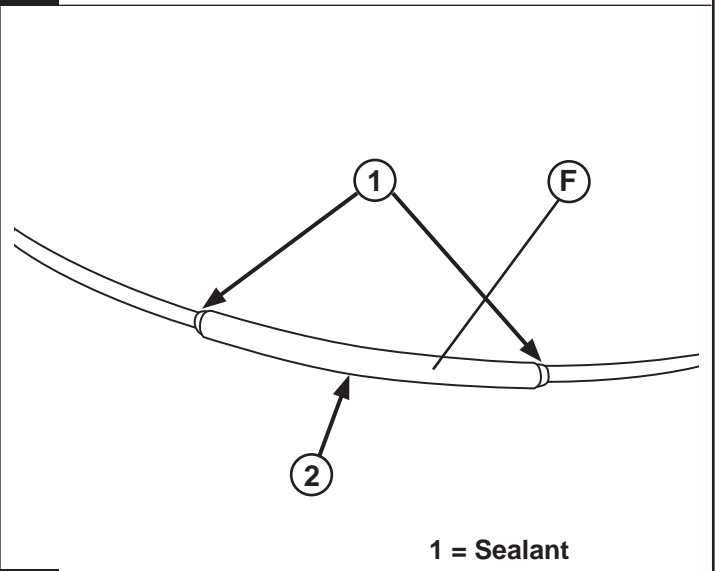
38



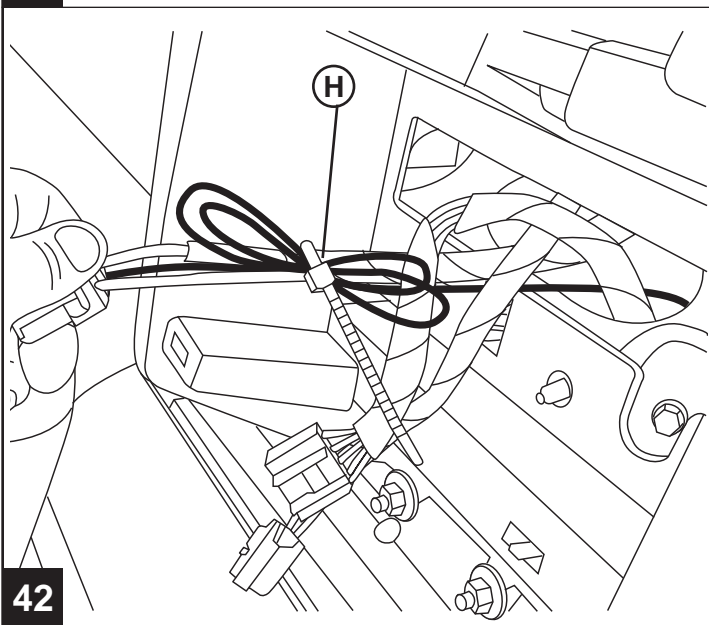
39



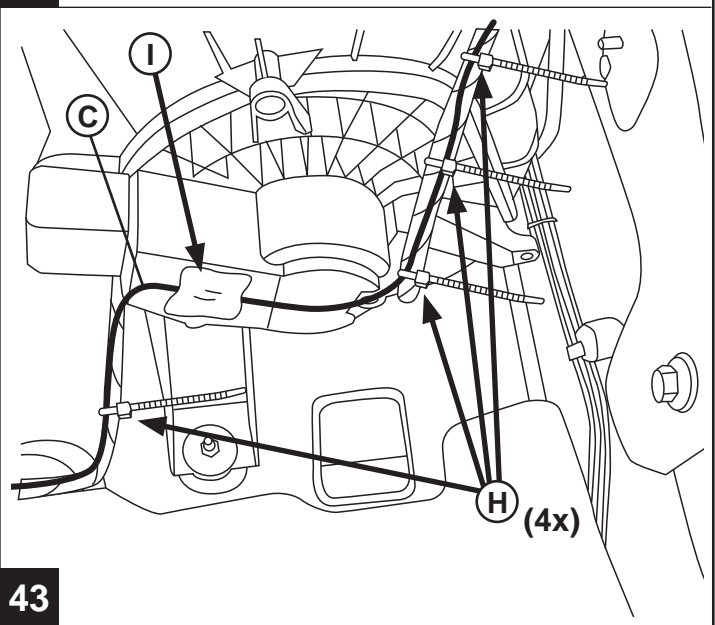
40



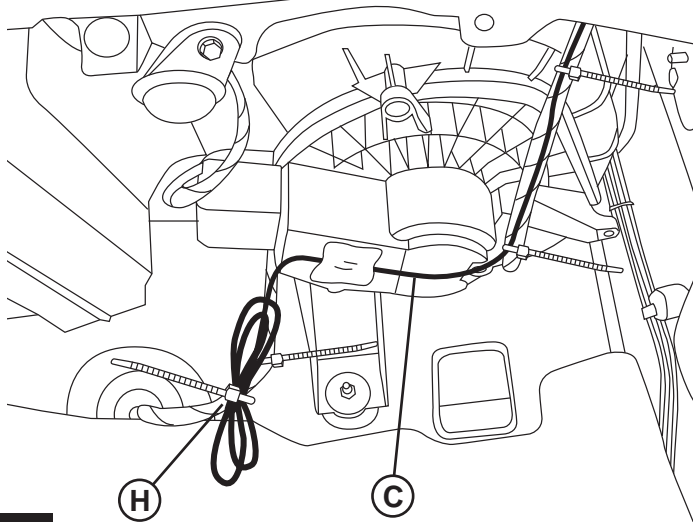
41



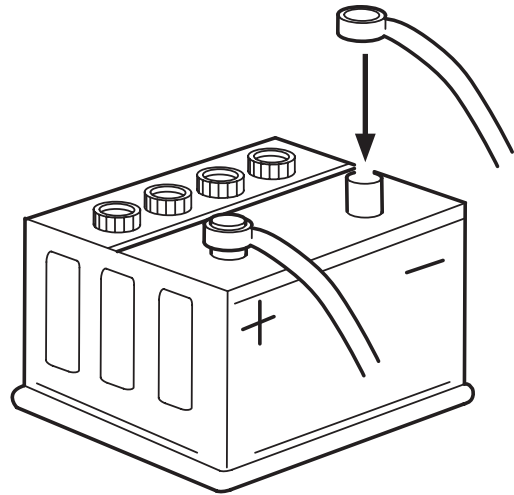
42



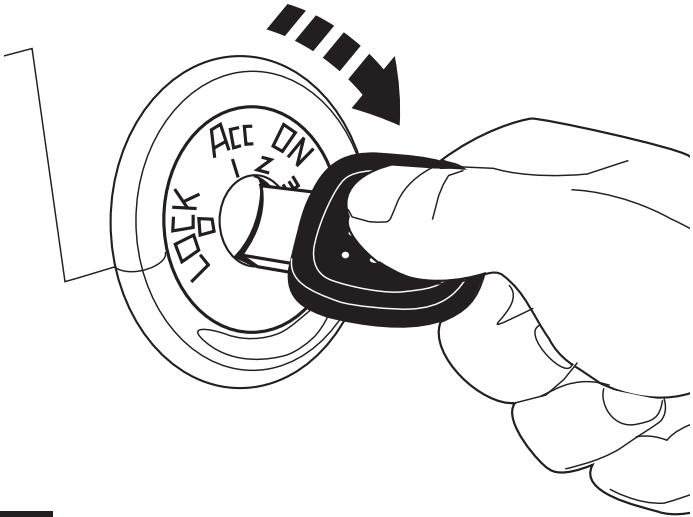
43



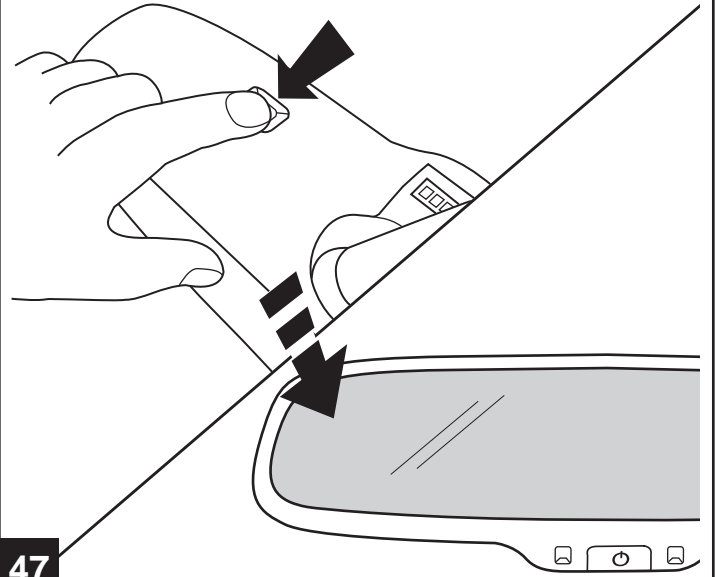
44



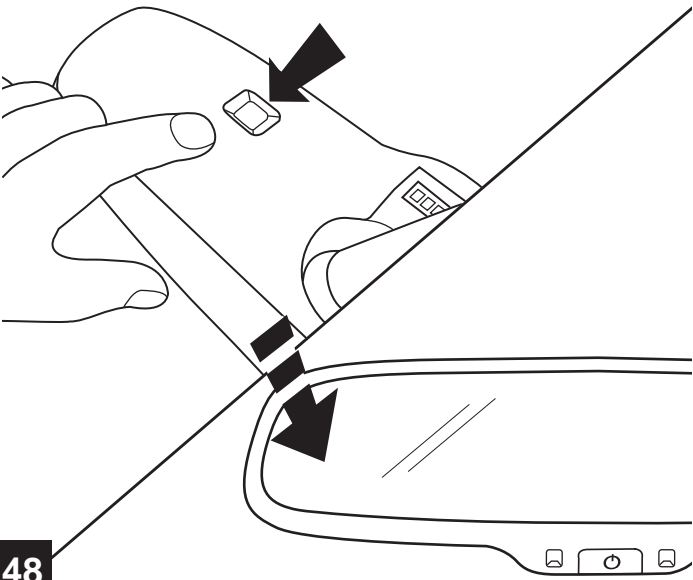
45



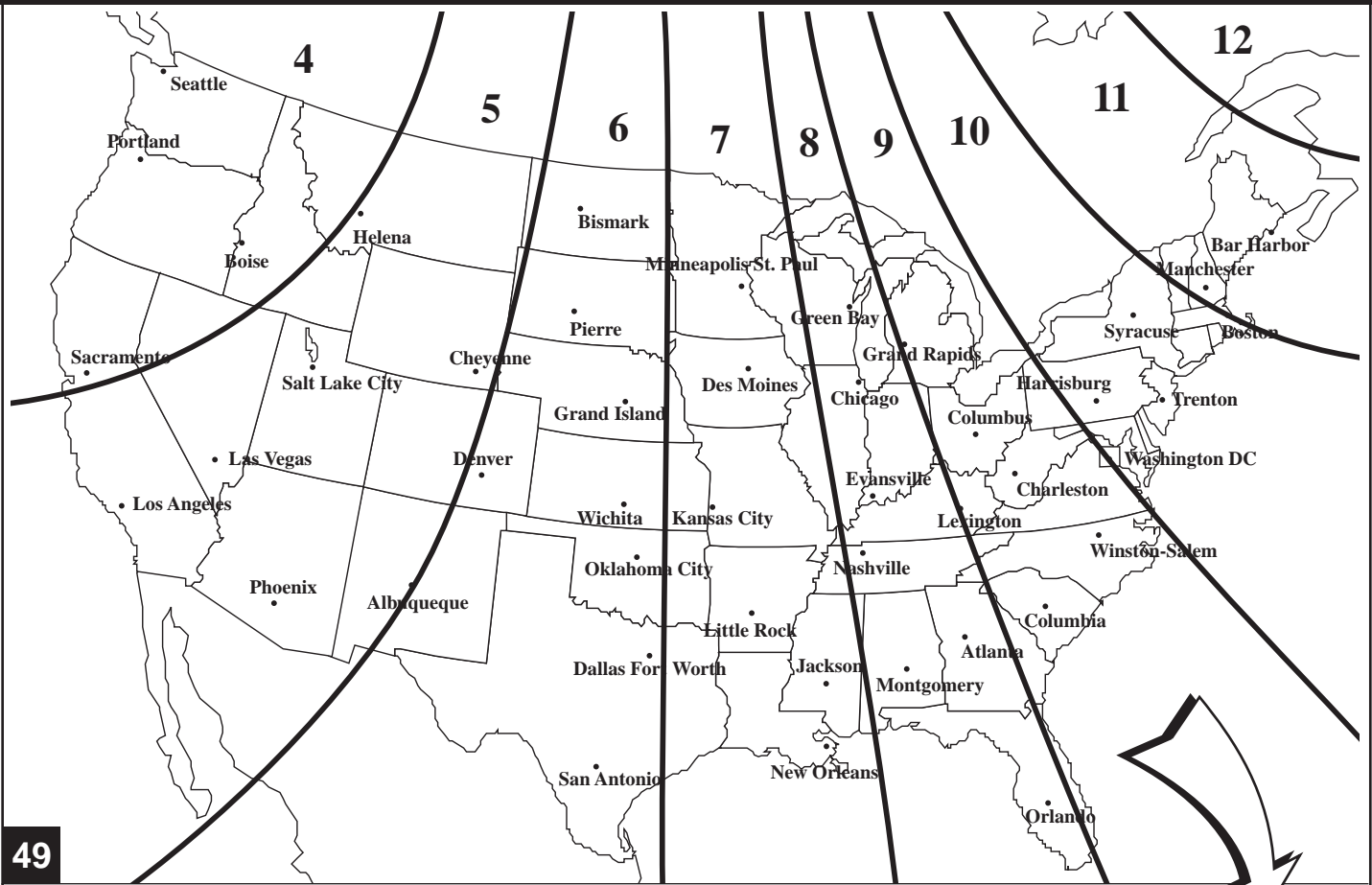
46



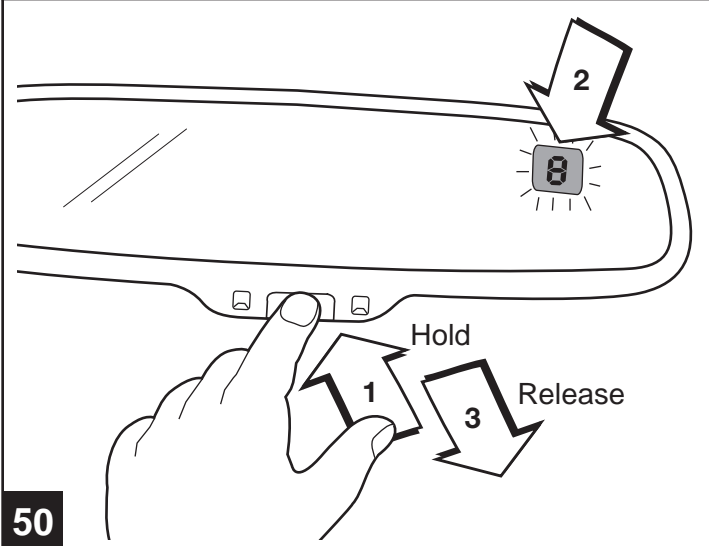
47



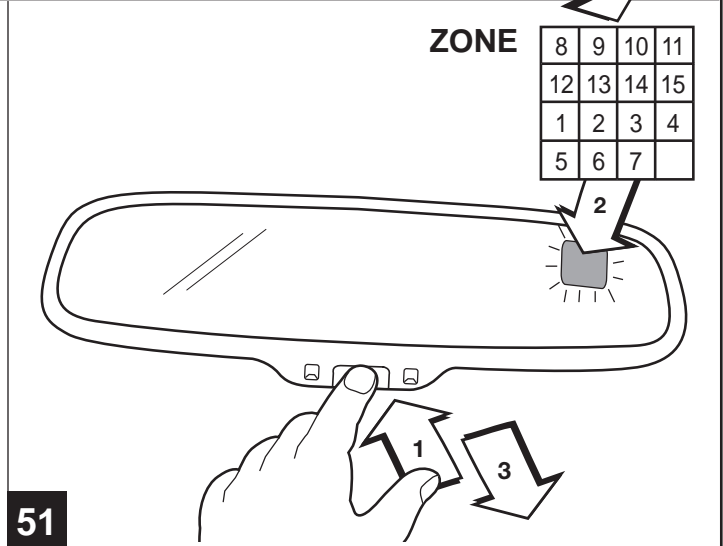
48



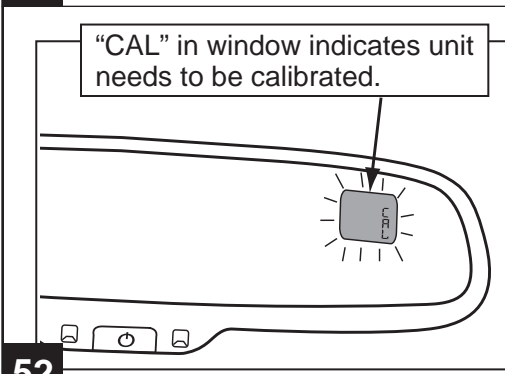
49



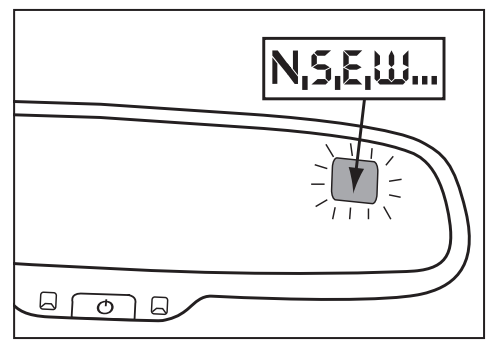
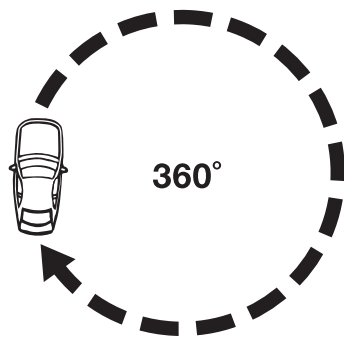
50



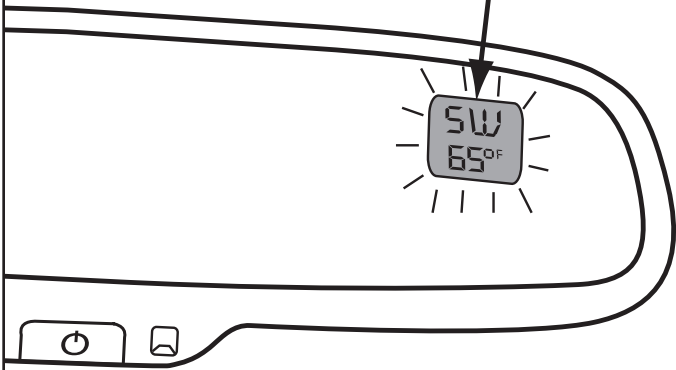
51



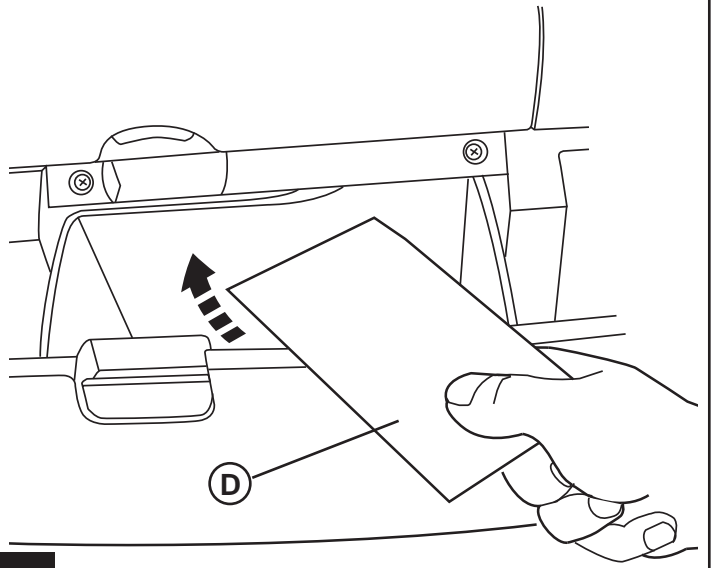
52



Check Temp Display



53

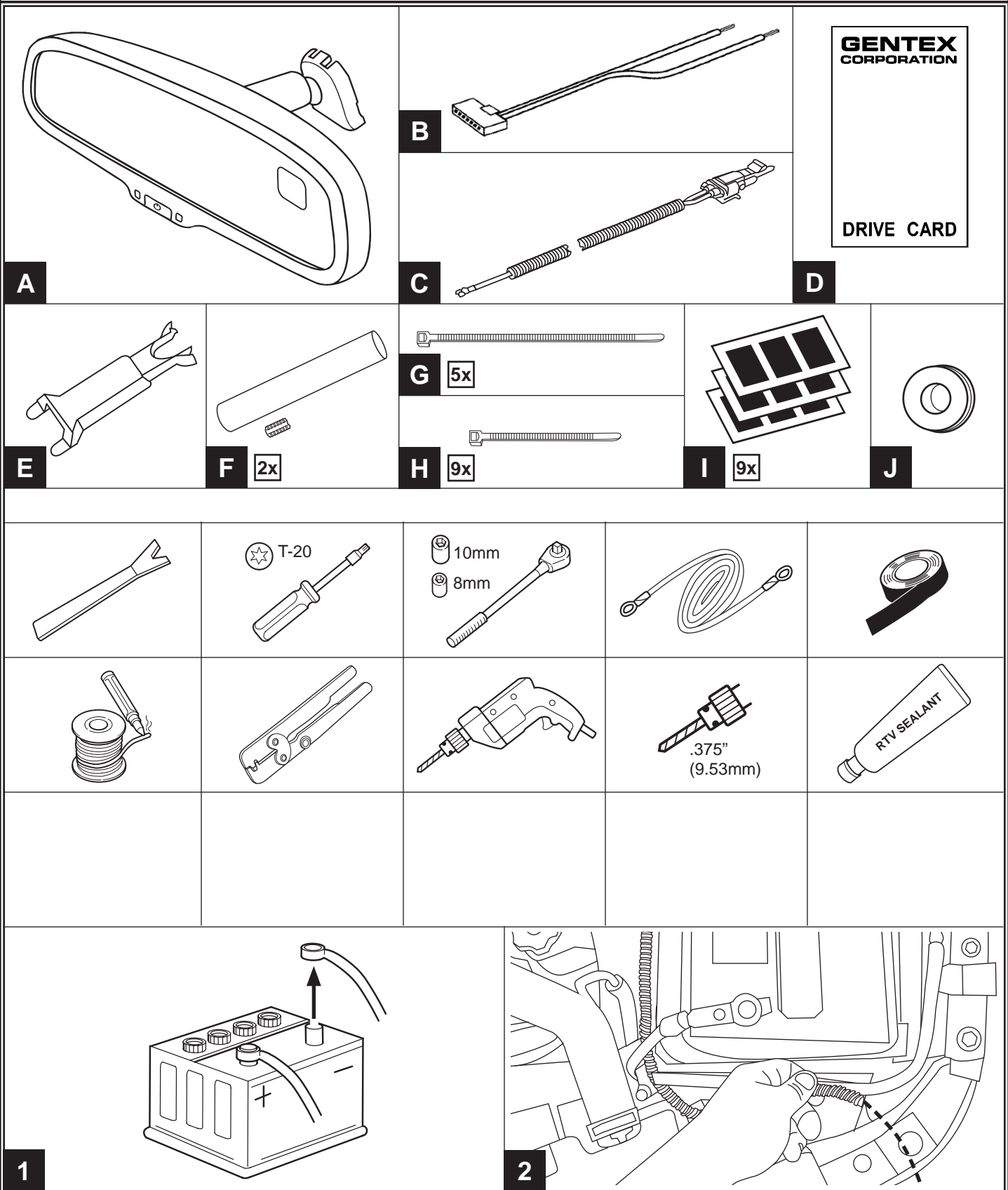


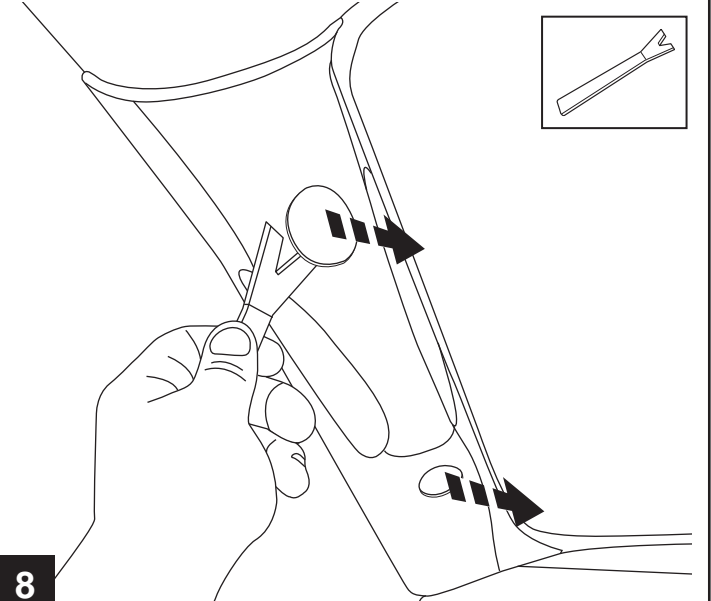
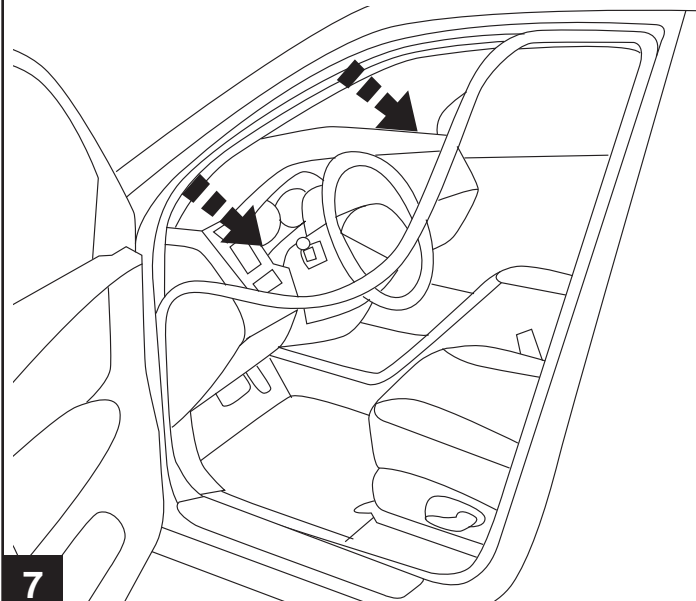
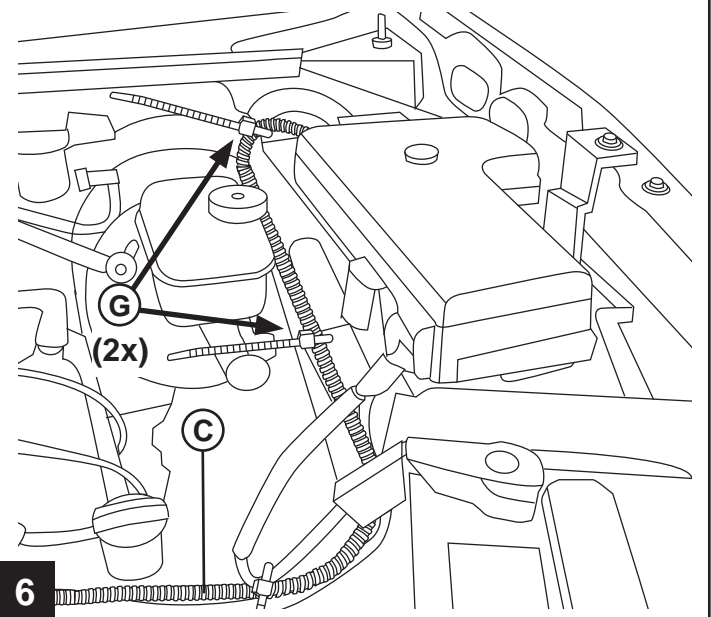
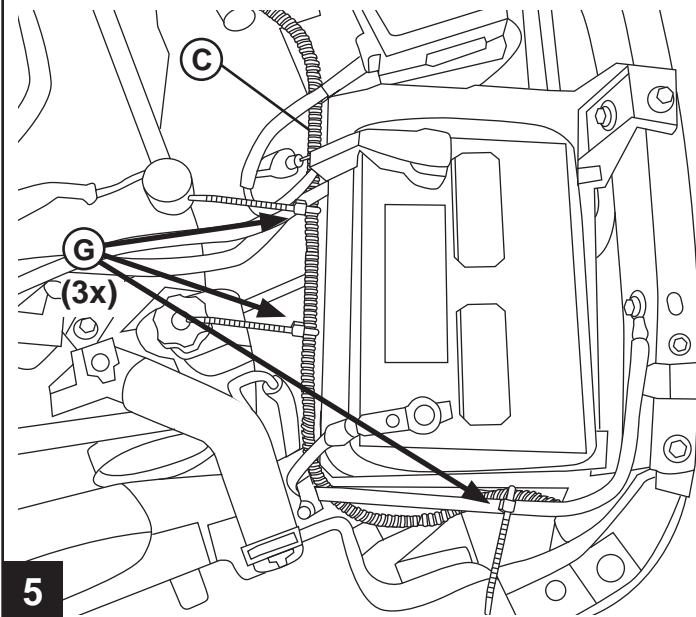
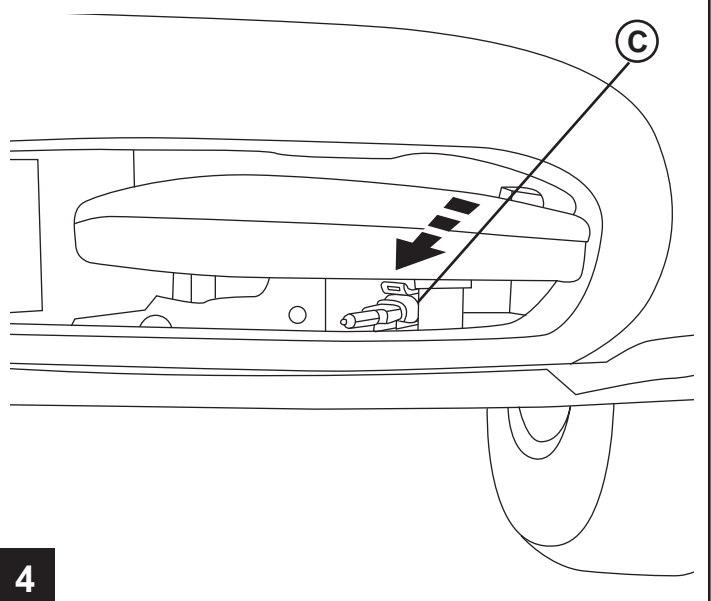
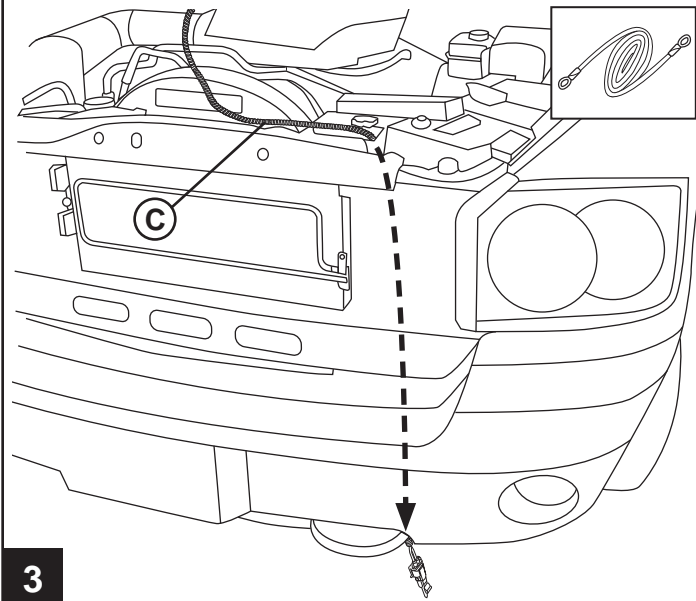
54

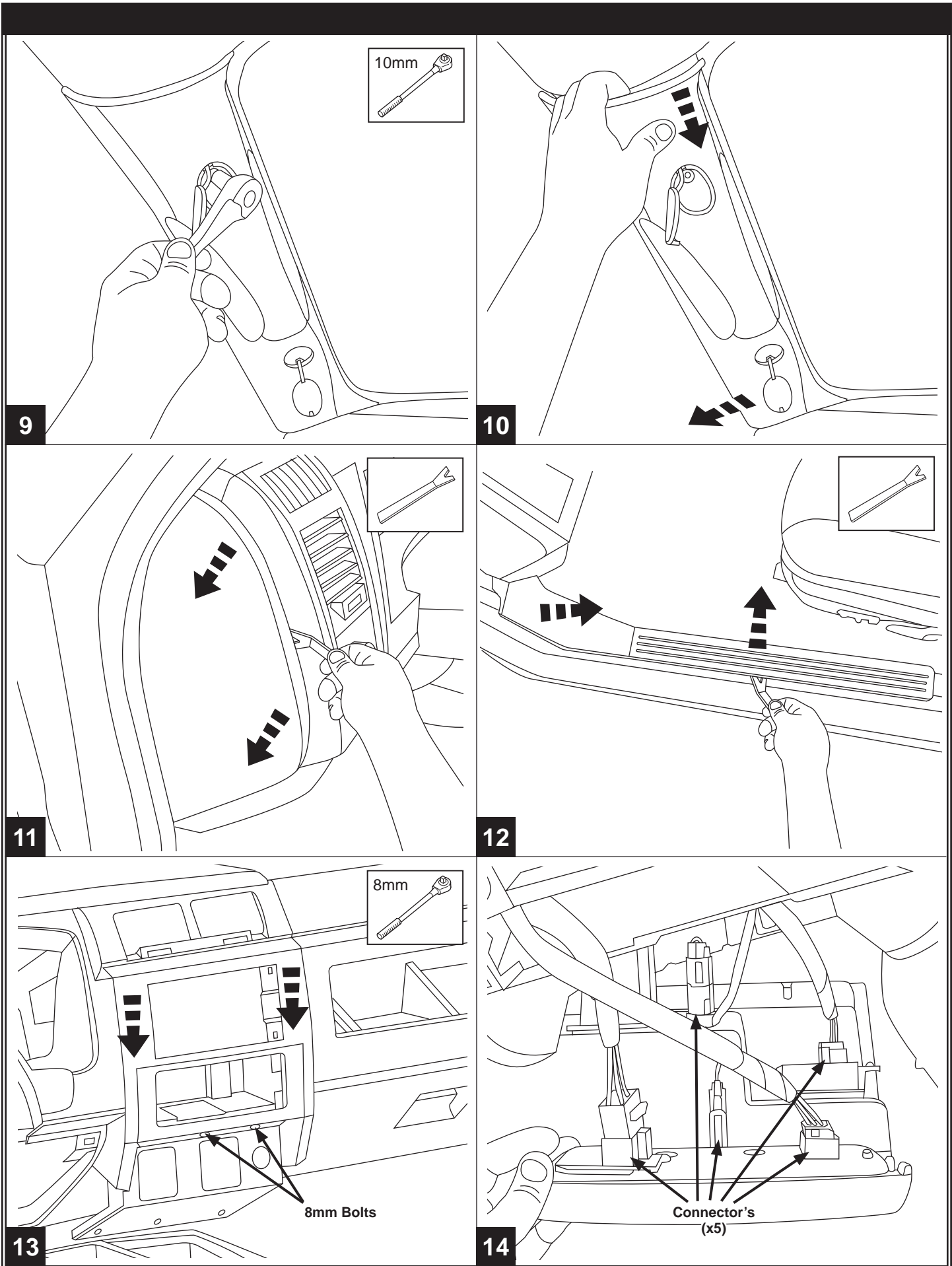


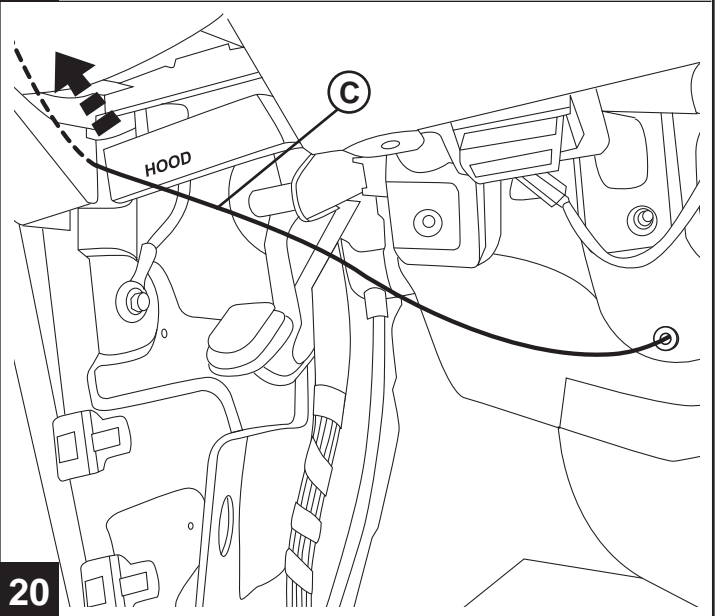
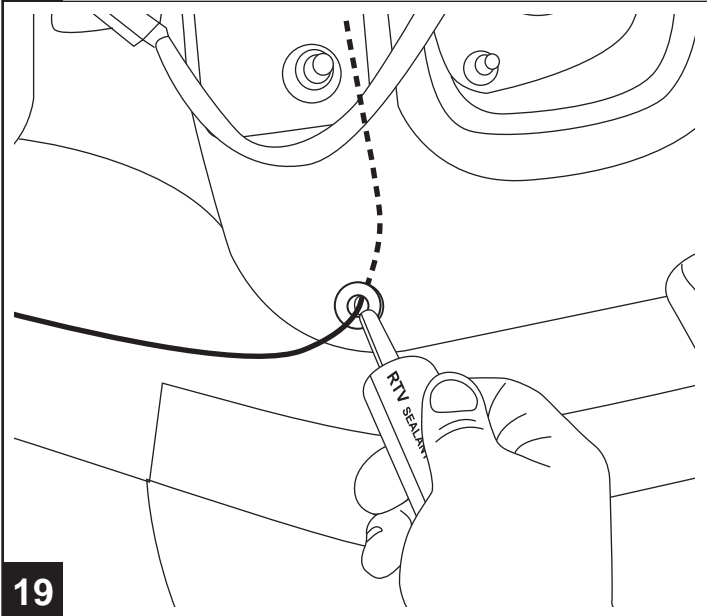
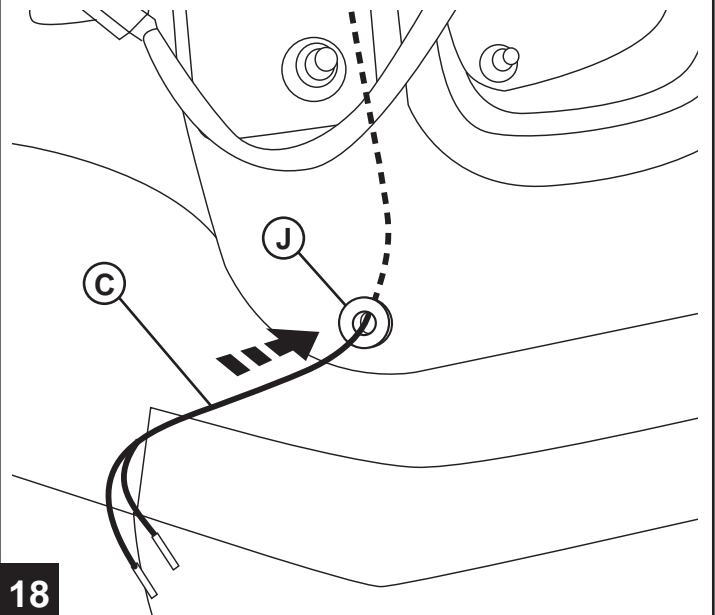
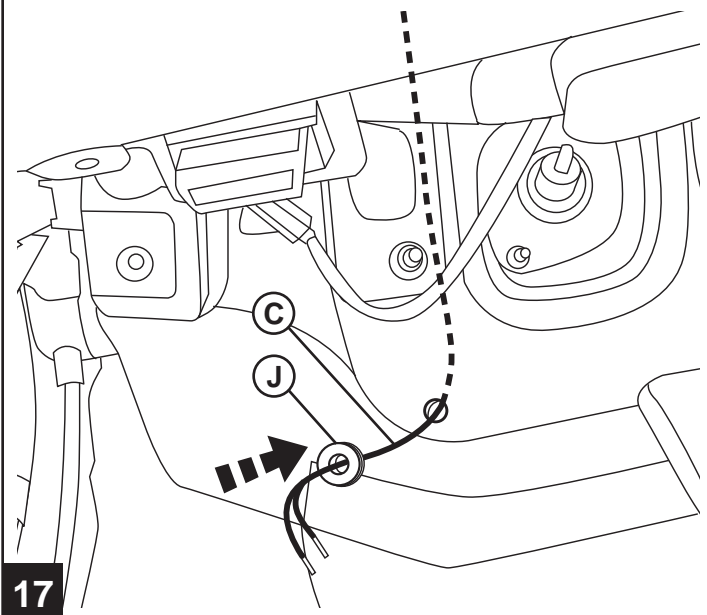
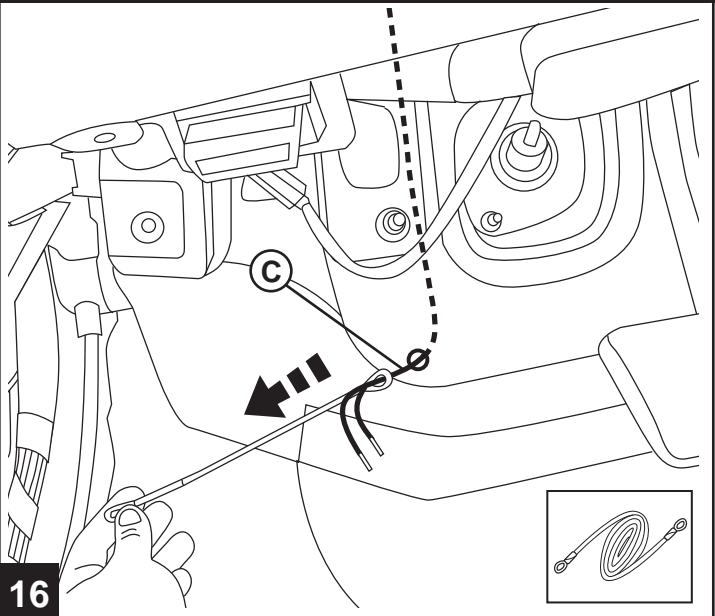
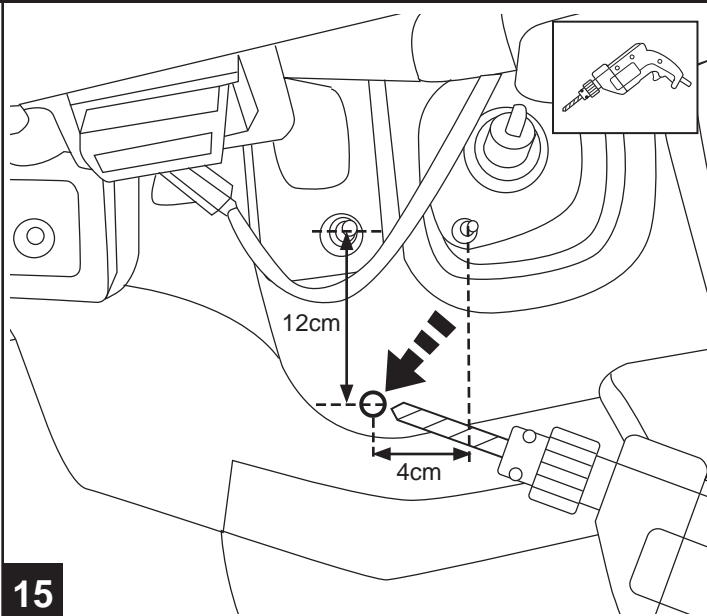
DODGE DAKOTA

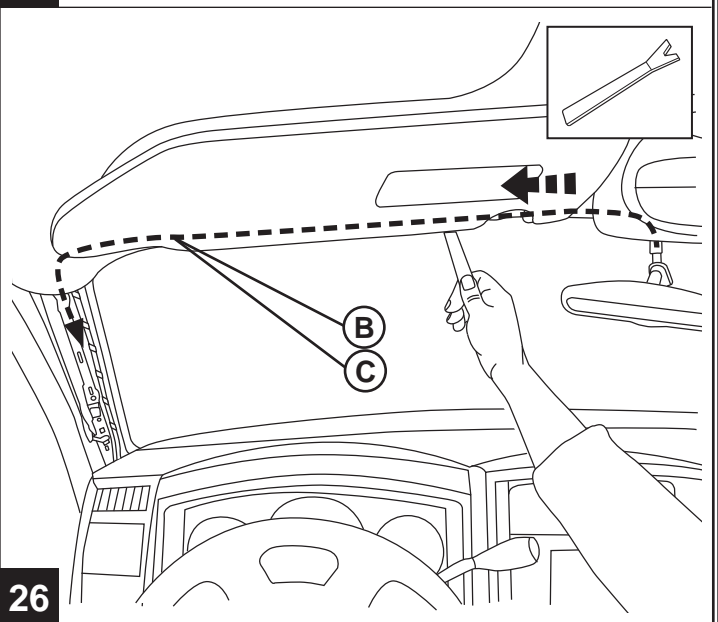
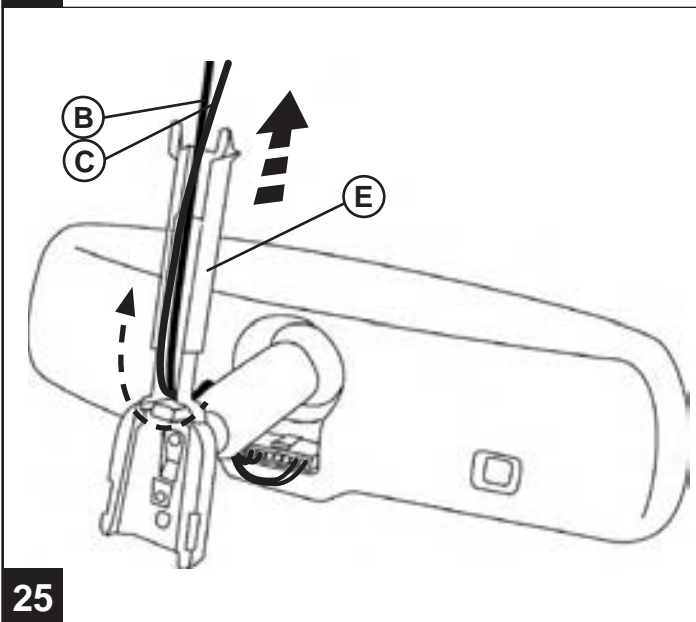
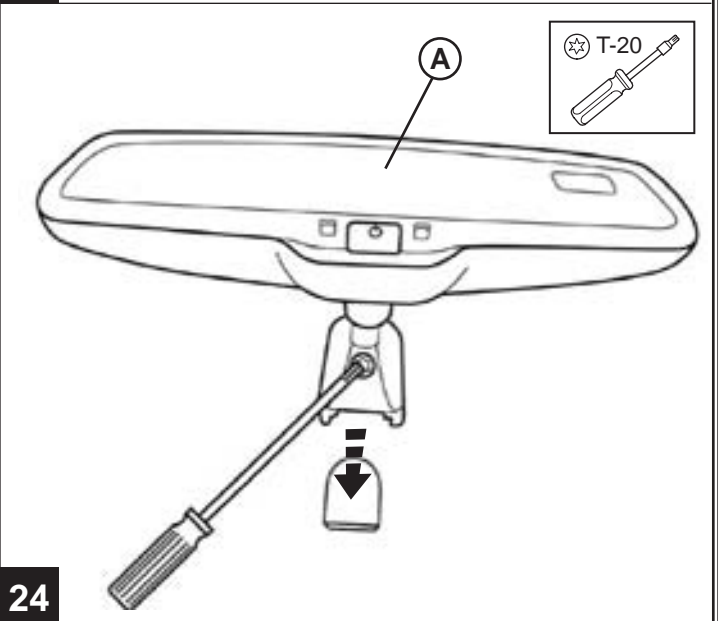
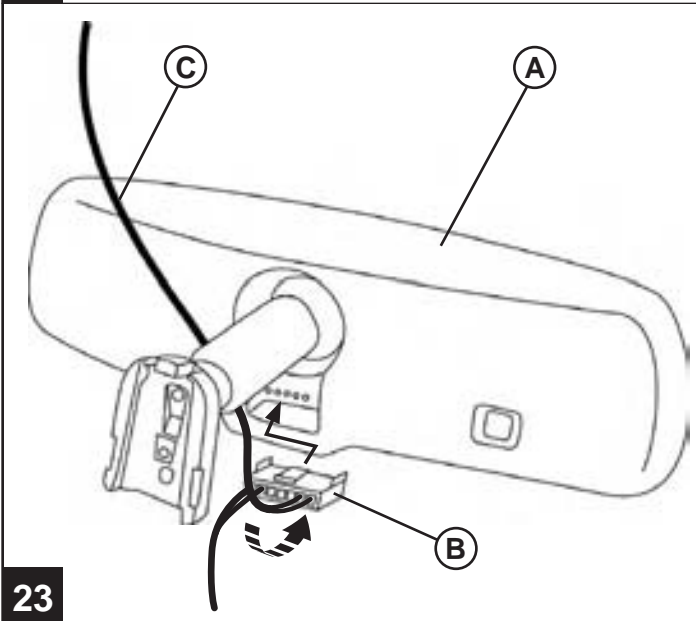
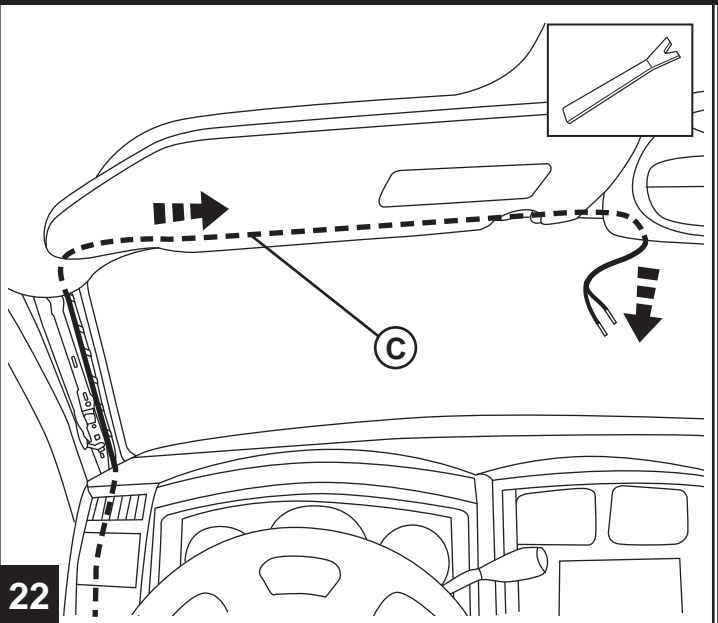
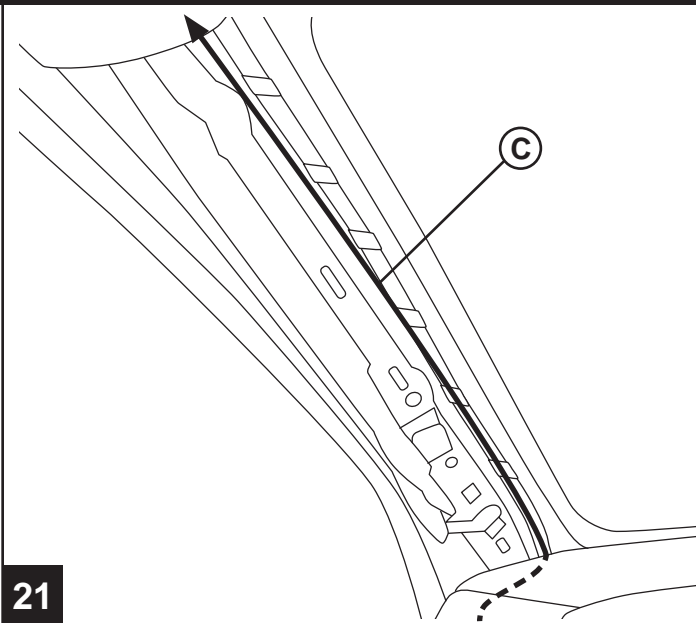
Auto-Dimming Mirror with Compass and Temperature

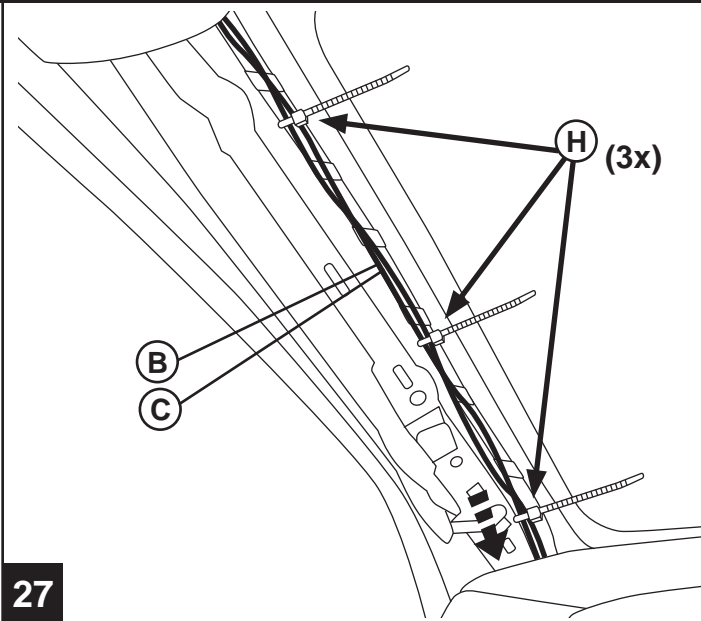




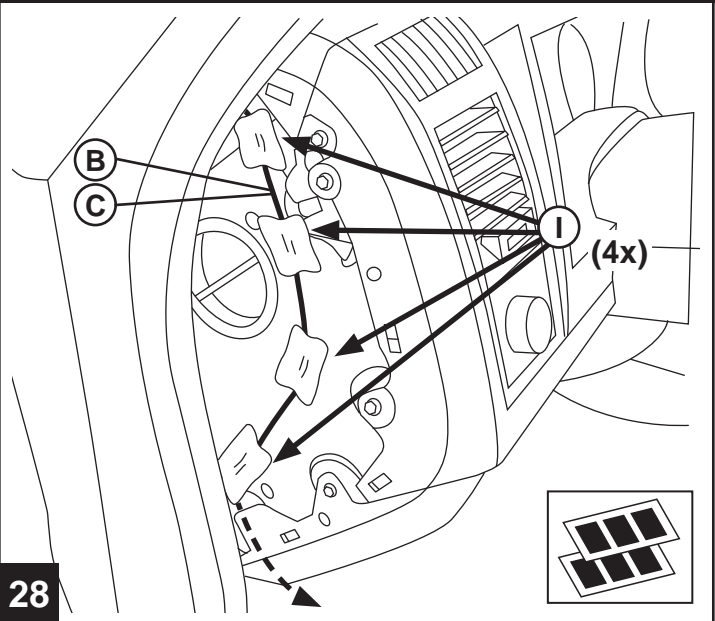




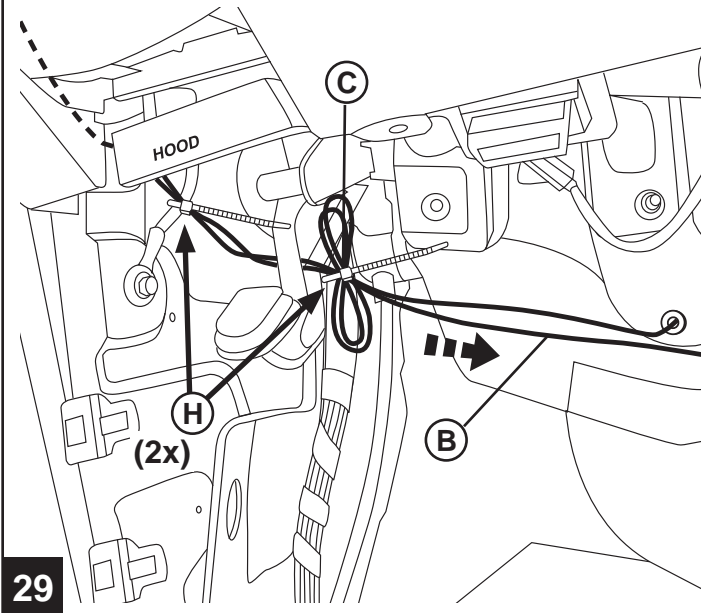




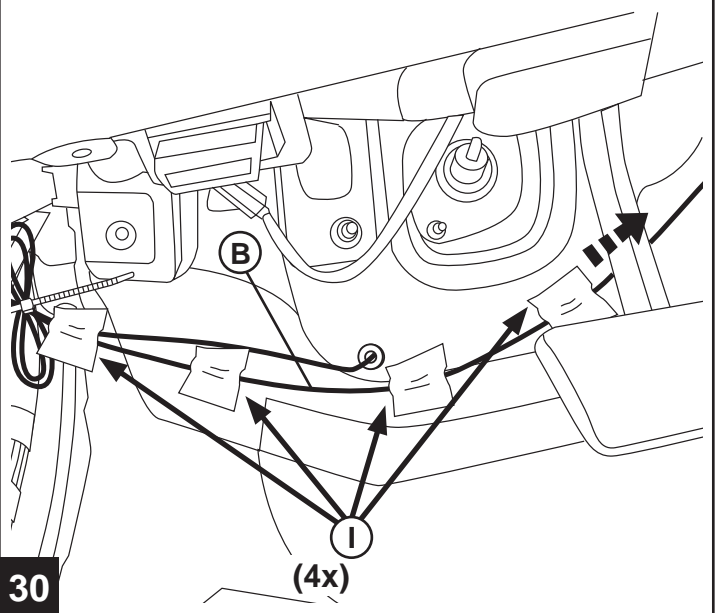
27



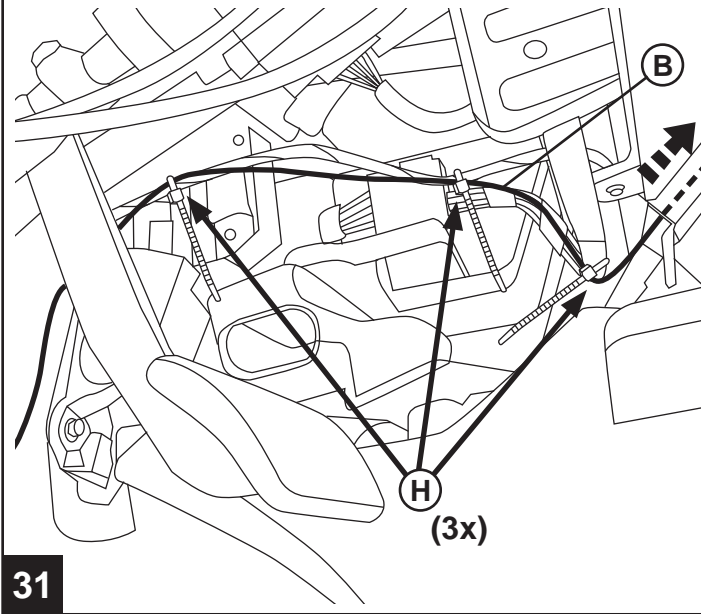
28



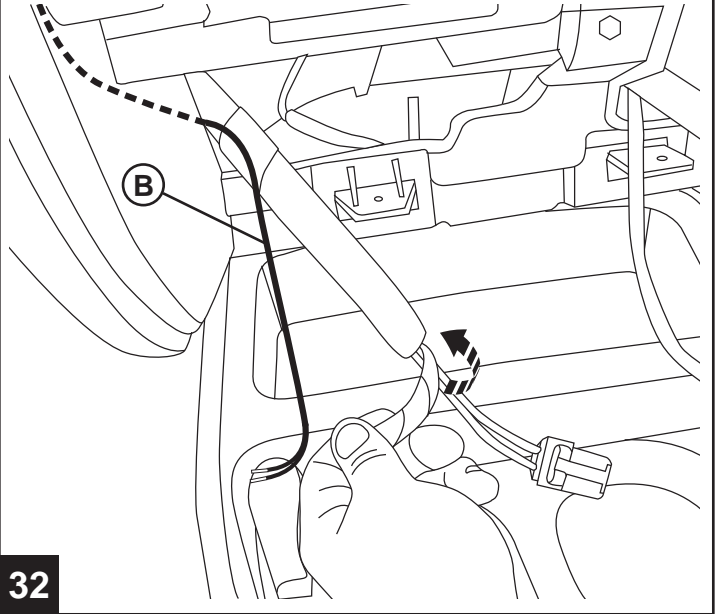
29



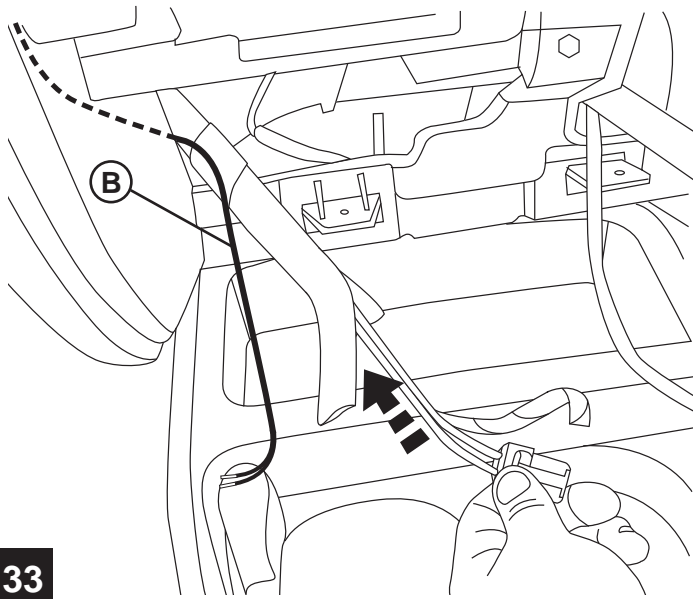
30



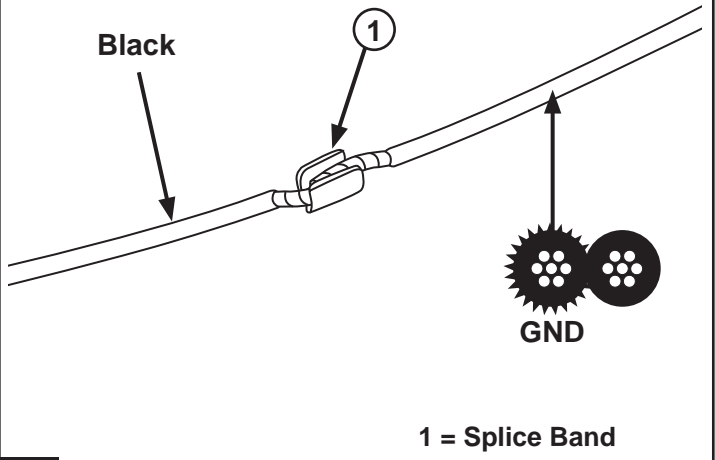
31



32

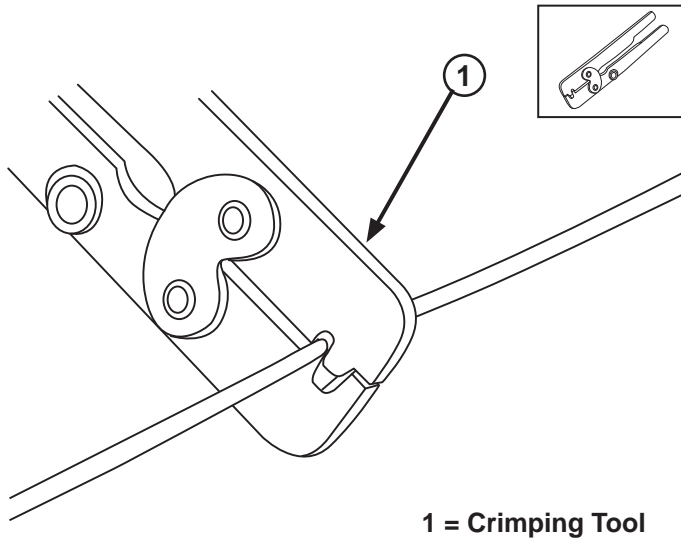


33



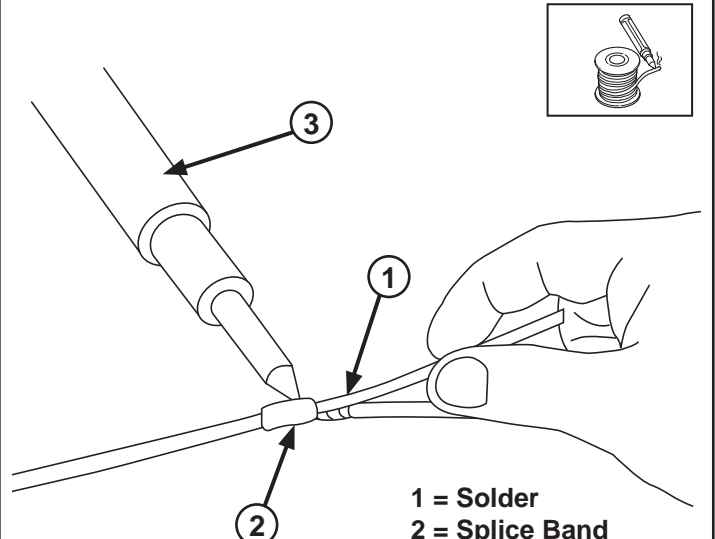
34

1 = Splice Band



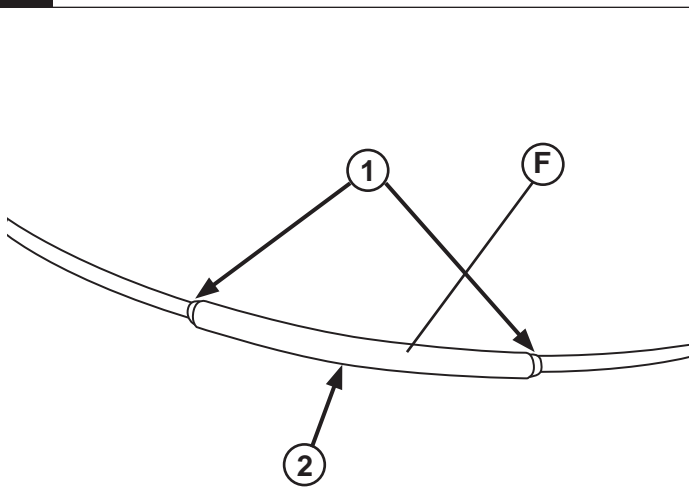
35

1 = Crimping Tool



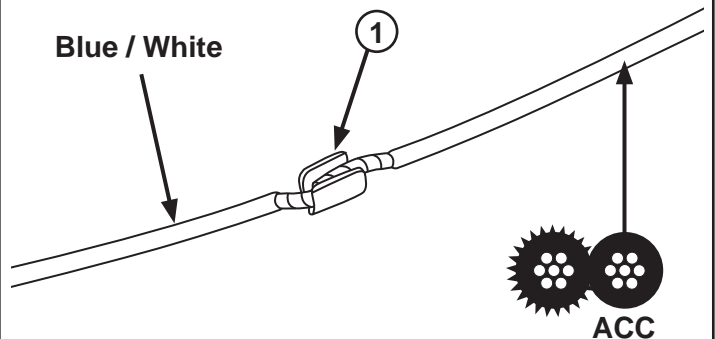
36

1 = Solder
2 = Splice Band
3 = Soldering Iron



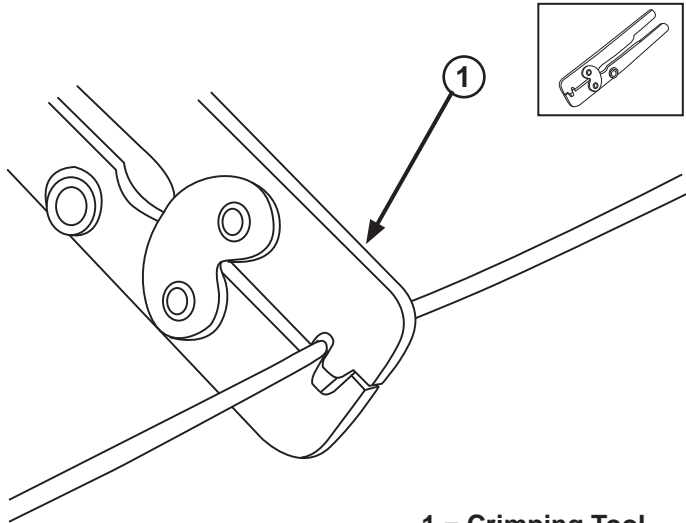
37

1 = Sealant
2 = Heat Shrink Tube



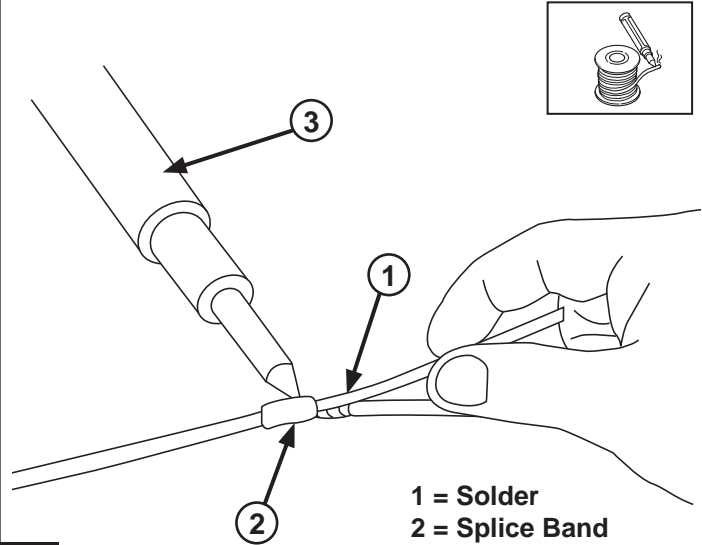
38

1 = Splice Band



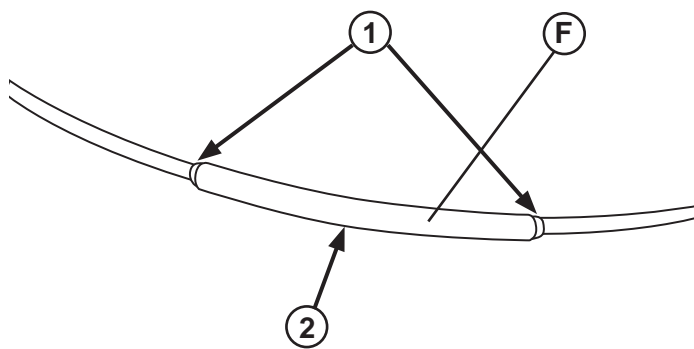
1 = Crimping Tool

39



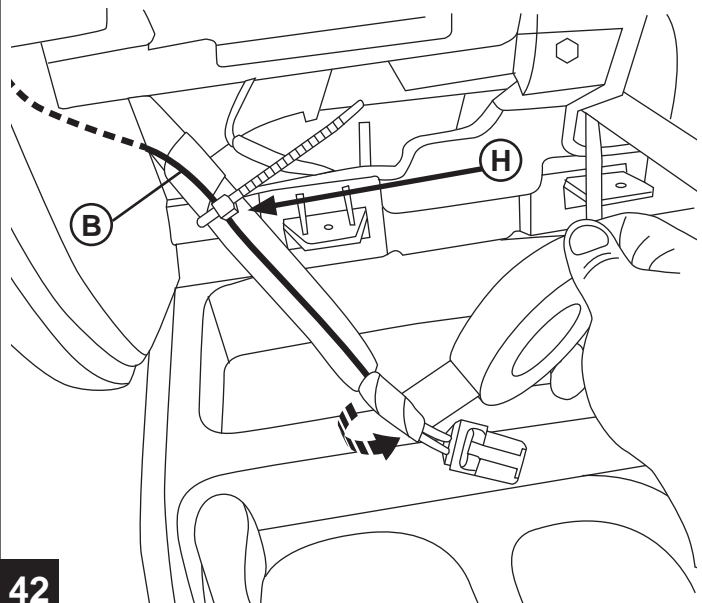
1 = Solder
2 = Splice Band
3 = Soldering Iron

40

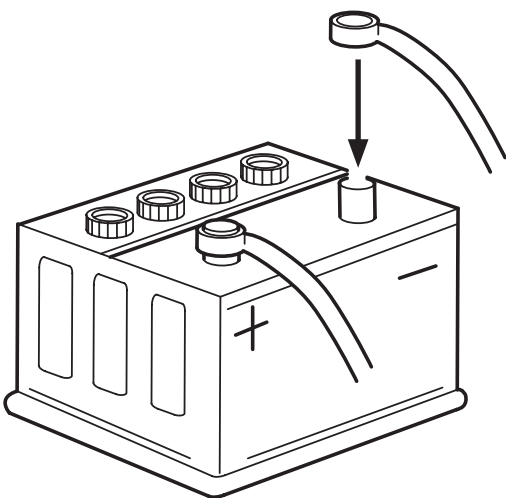


1 = Sealant
2 = Heat Shrink Tube

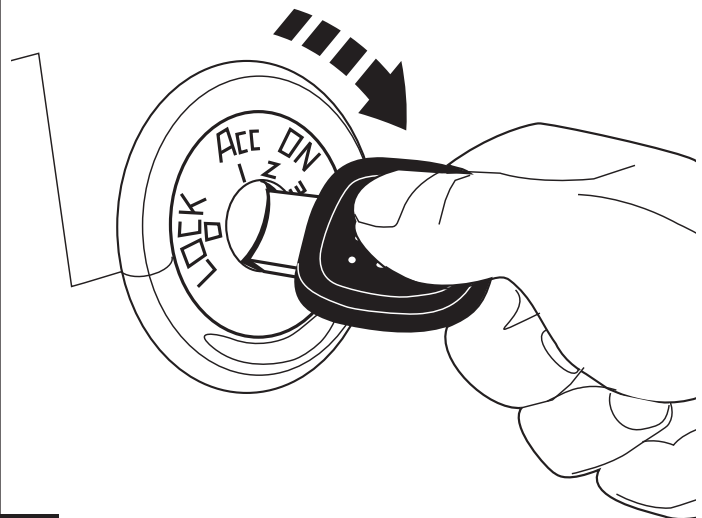
41



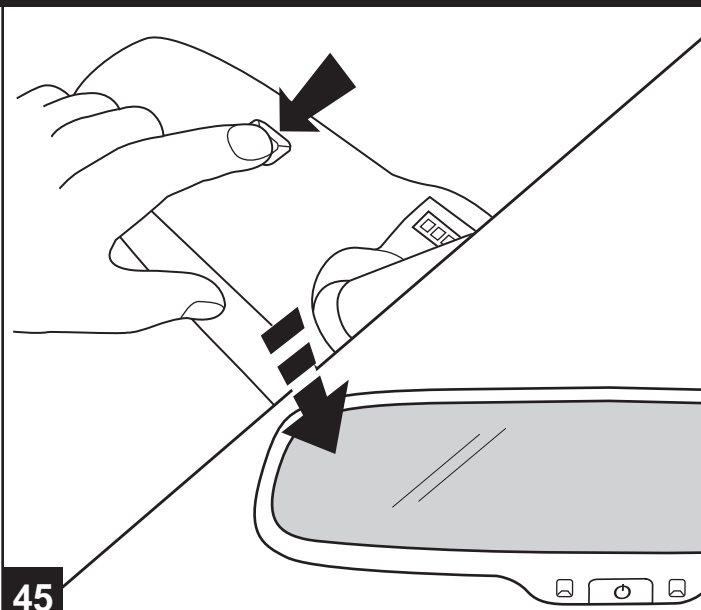
42



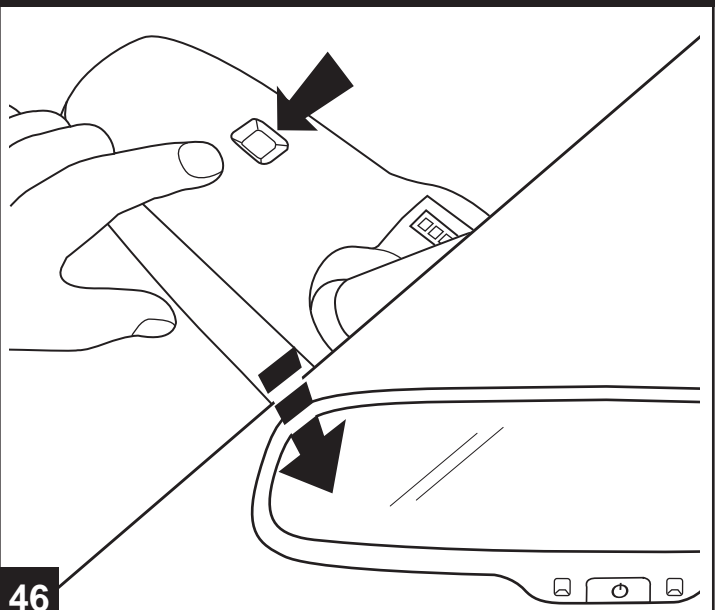
43



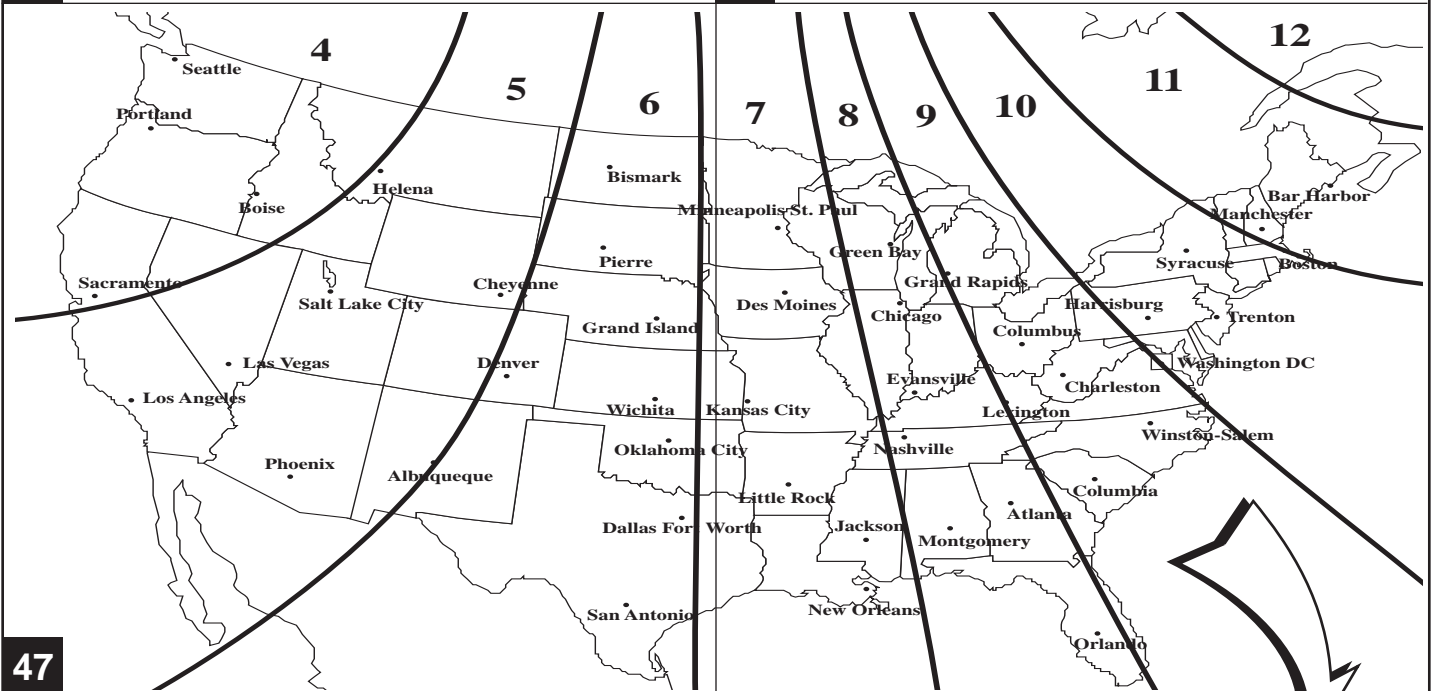
44



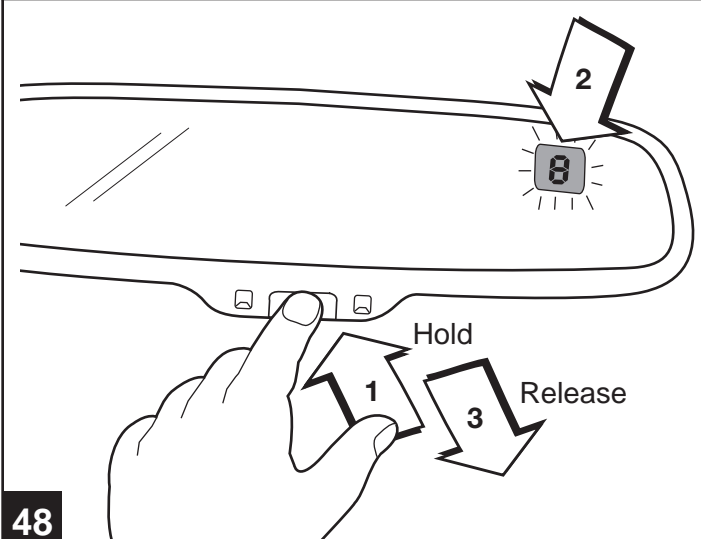
45



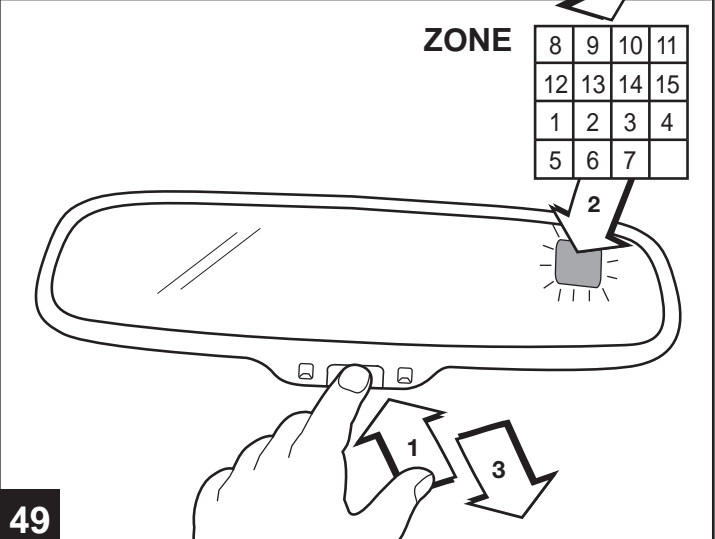
46



47



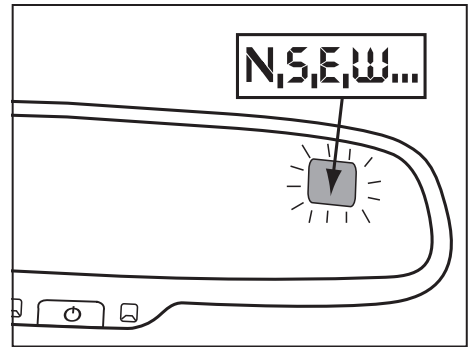
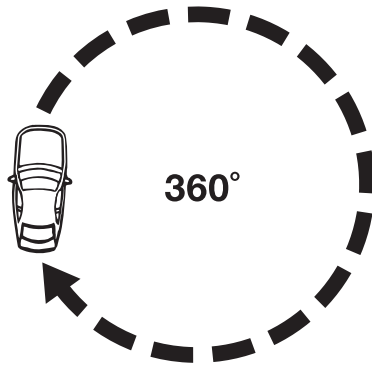
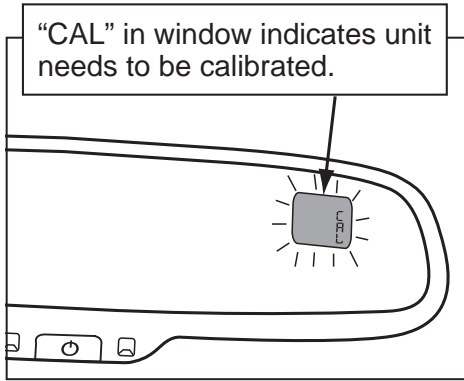
48



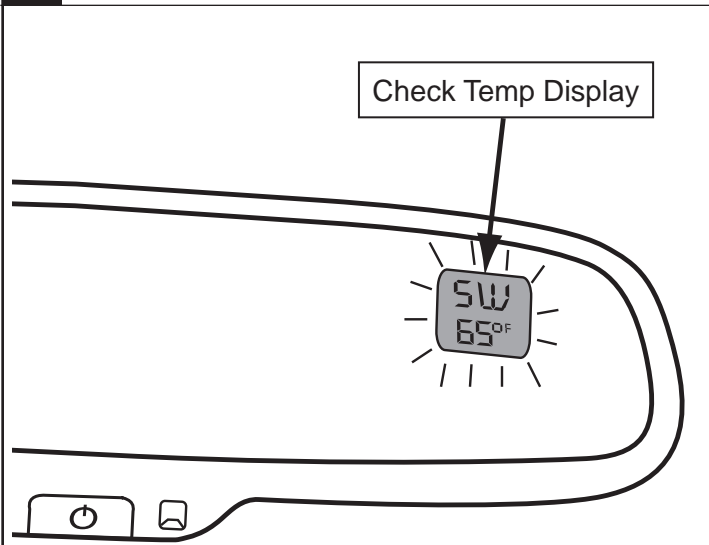
49

ZONE

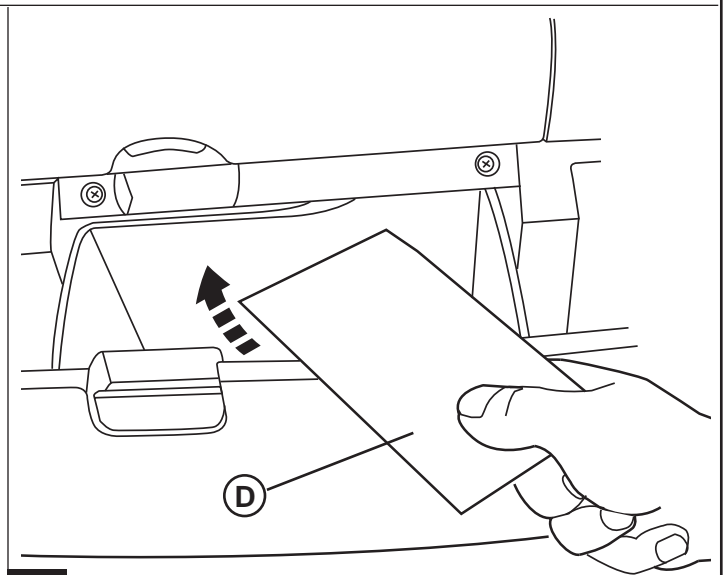
8	9	10	11
12	13	14	15
1	2	3	4
5	6	7	



50



51

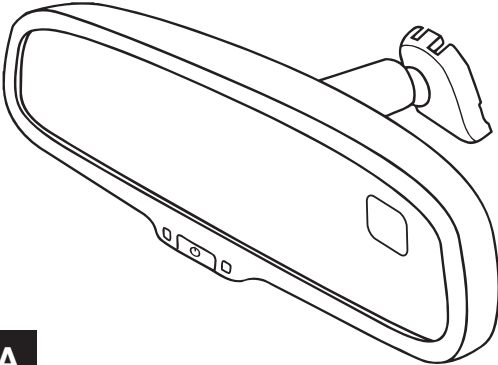


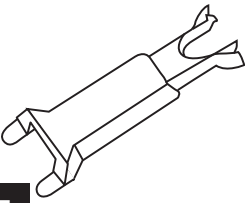
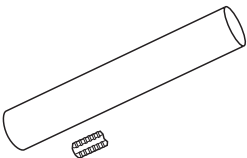

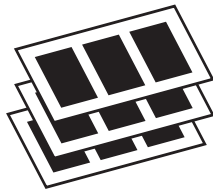

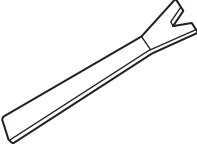
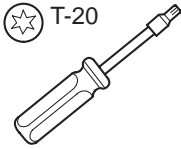
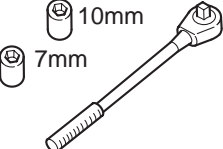




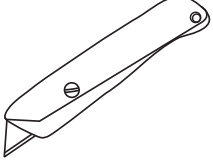
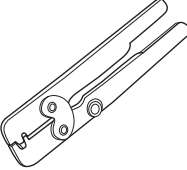
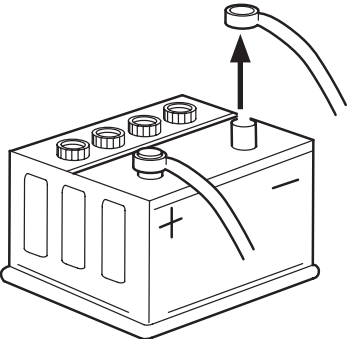


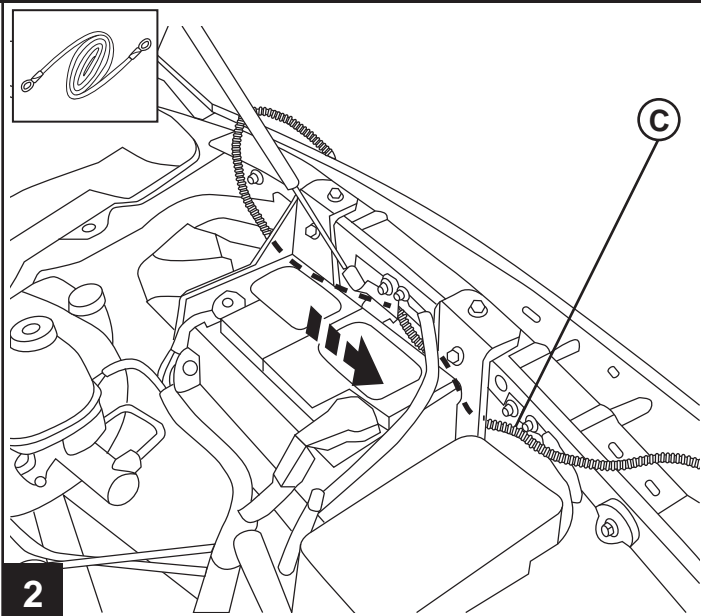
52



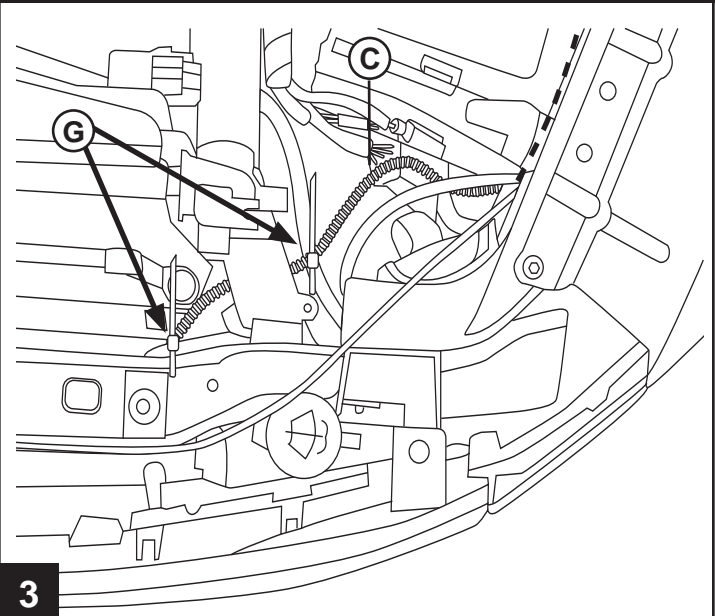
DODGE RAM

Auto-Dimming Mirror with Compass and Temperature

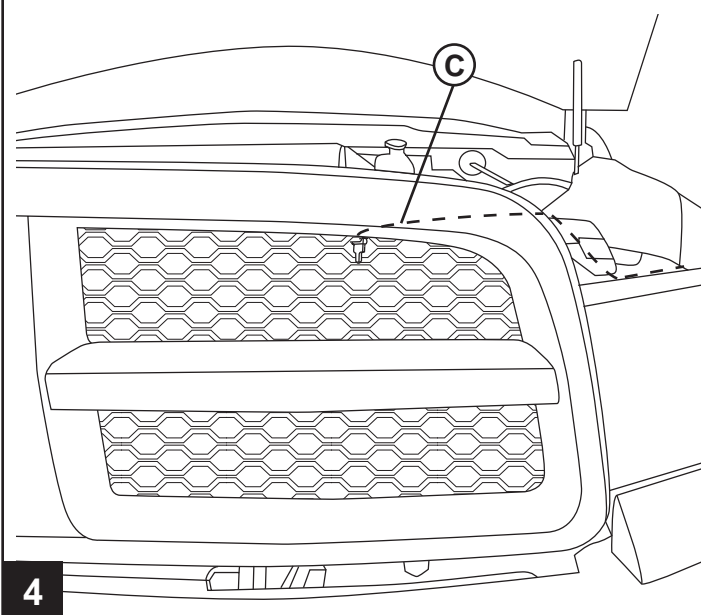
 A	 B			
 E	 F 2x	 G 5x	 I 9x	 J
	 T-20	 10mm 7mm		
	 RTV SEALANT			
1				



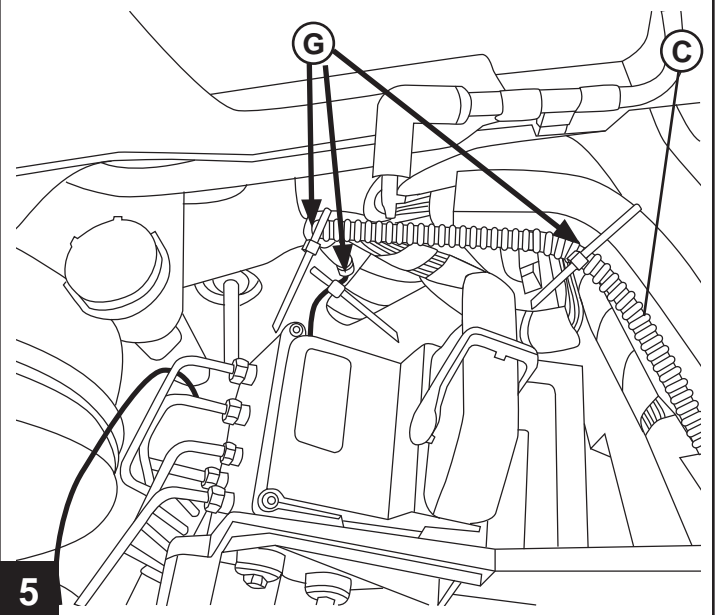
2



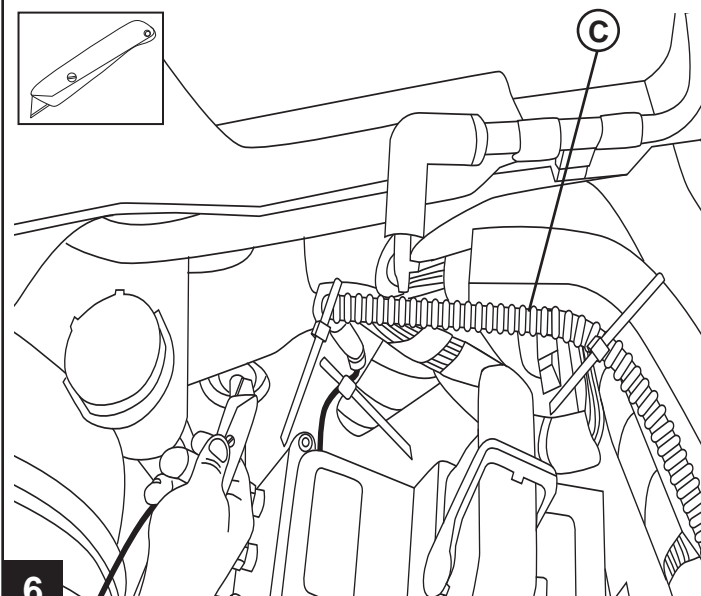
3



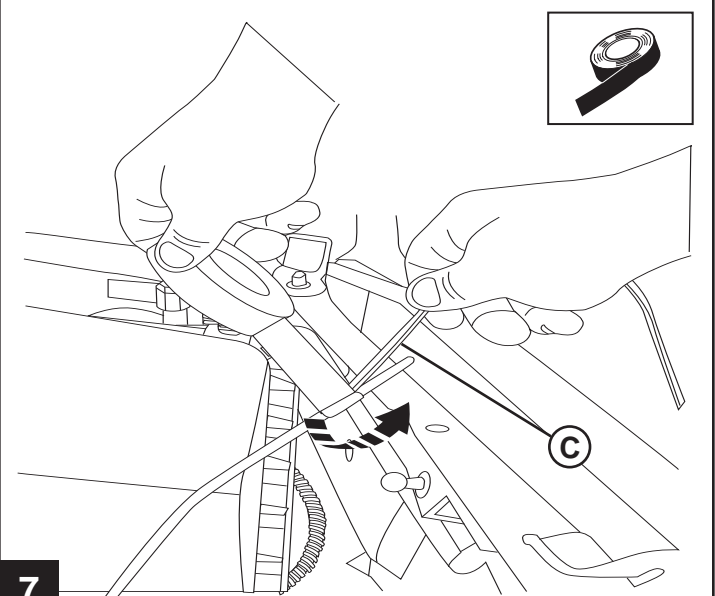
4



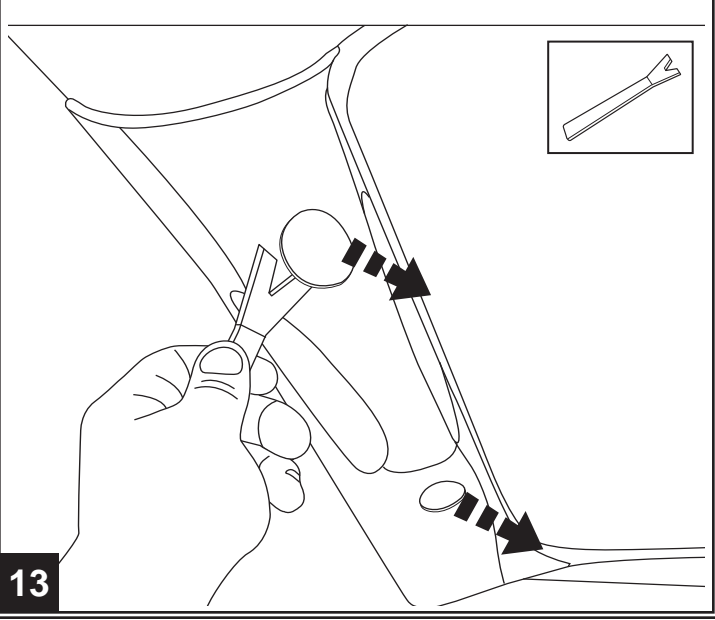
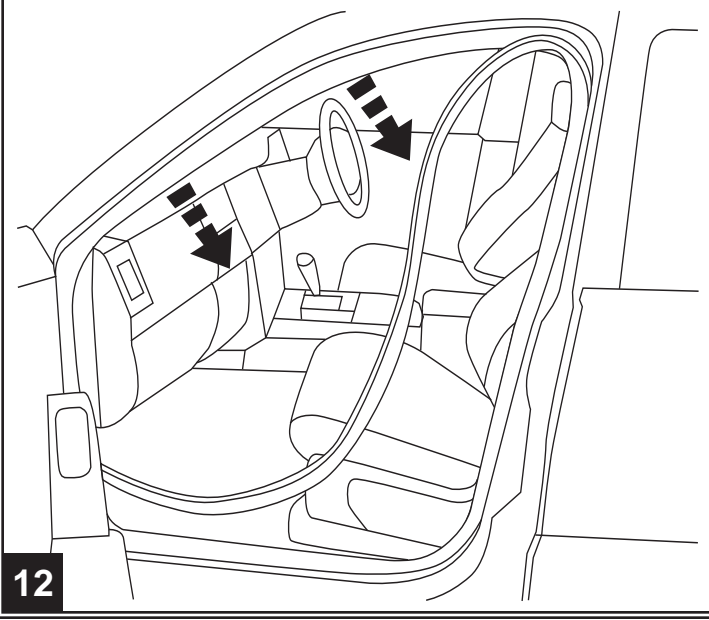
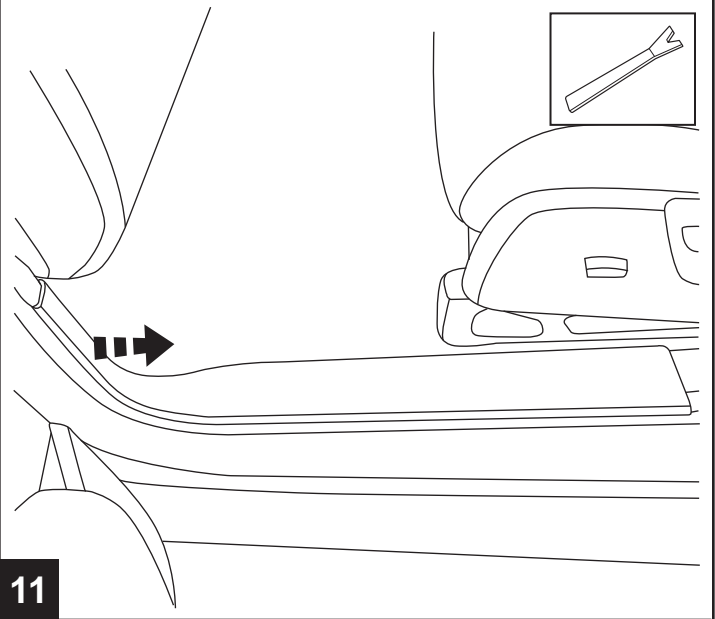
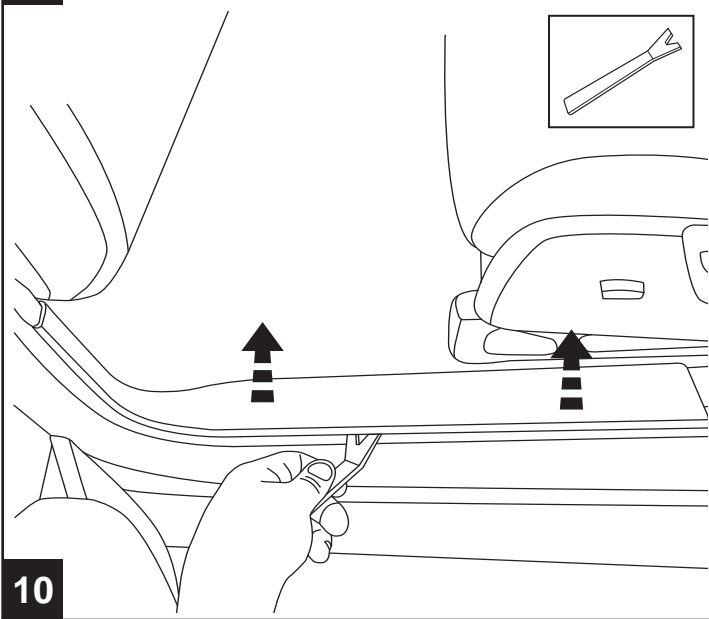
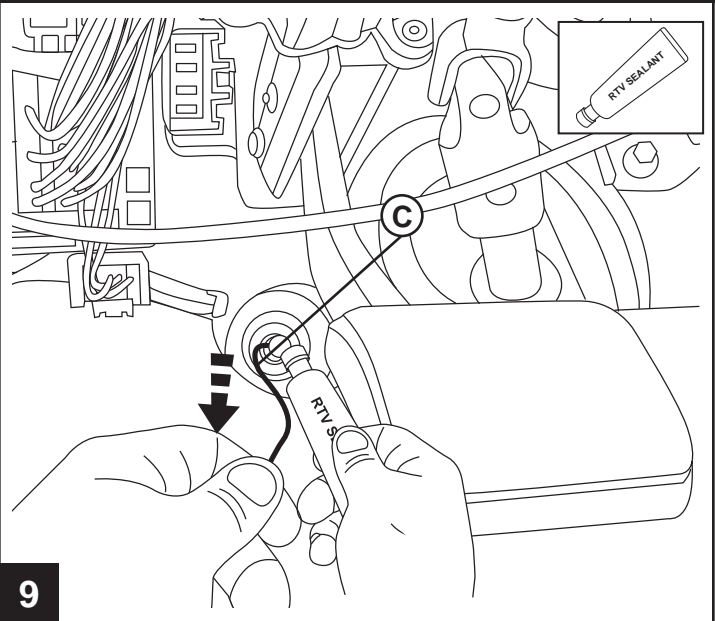
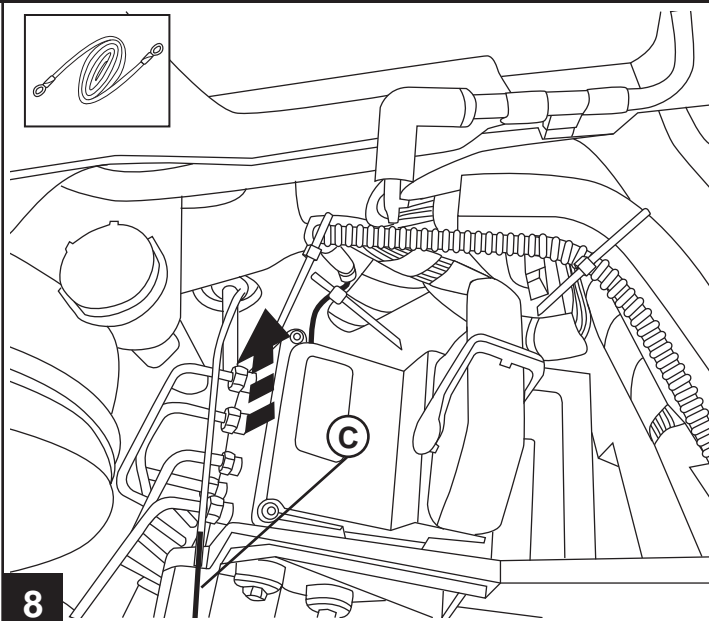
5

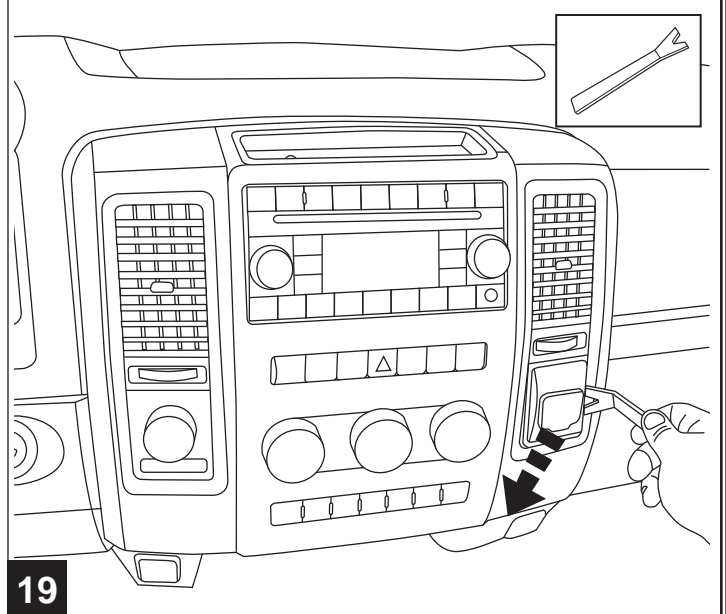
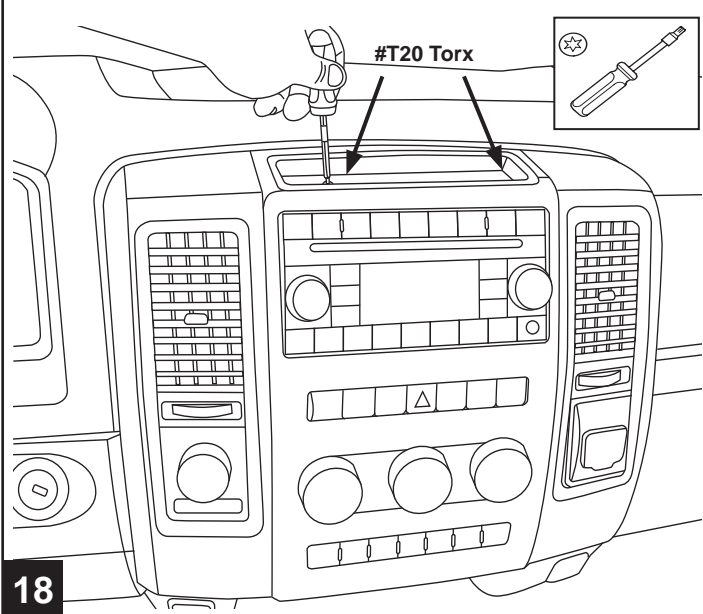
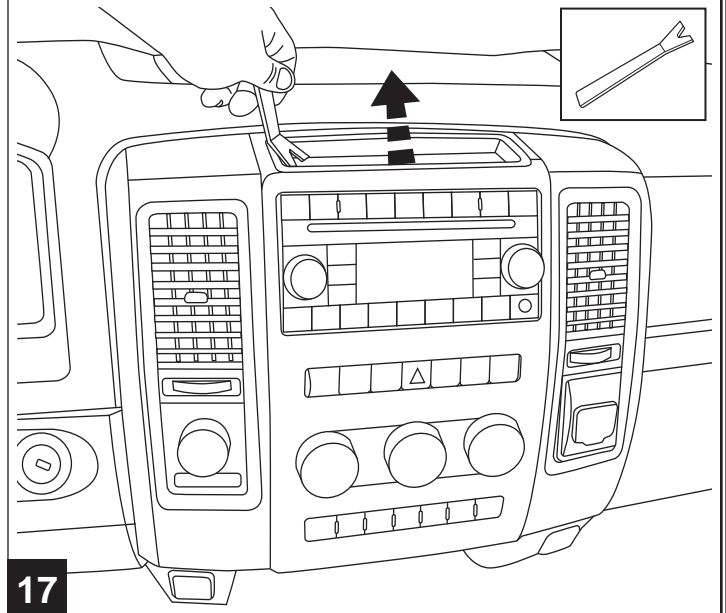
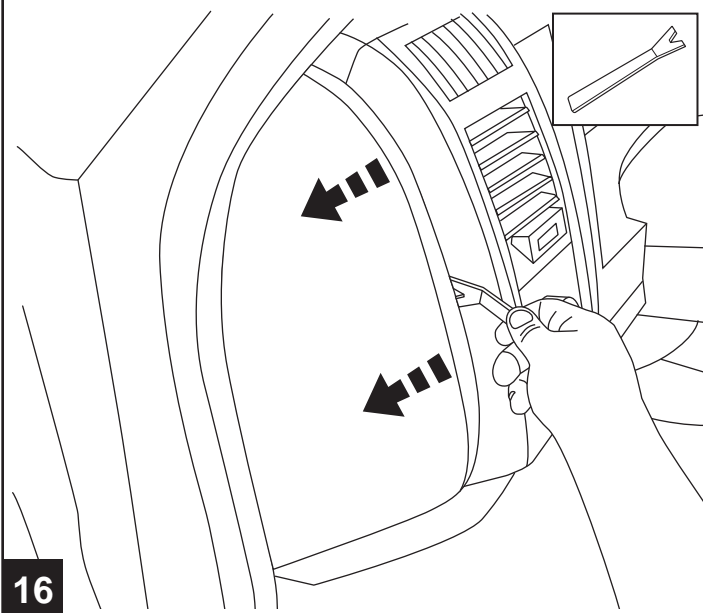
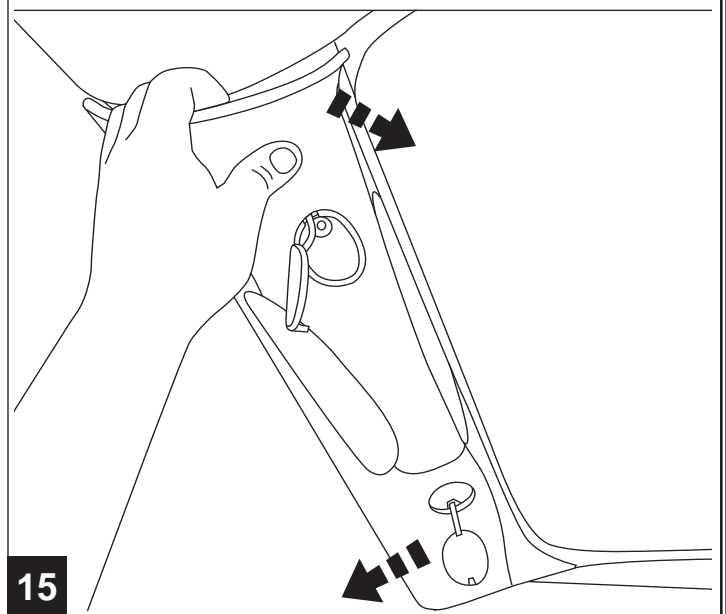
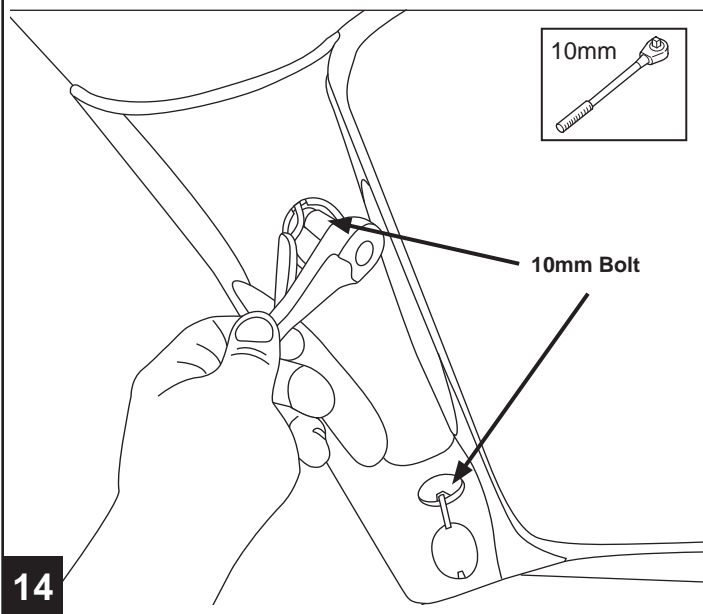


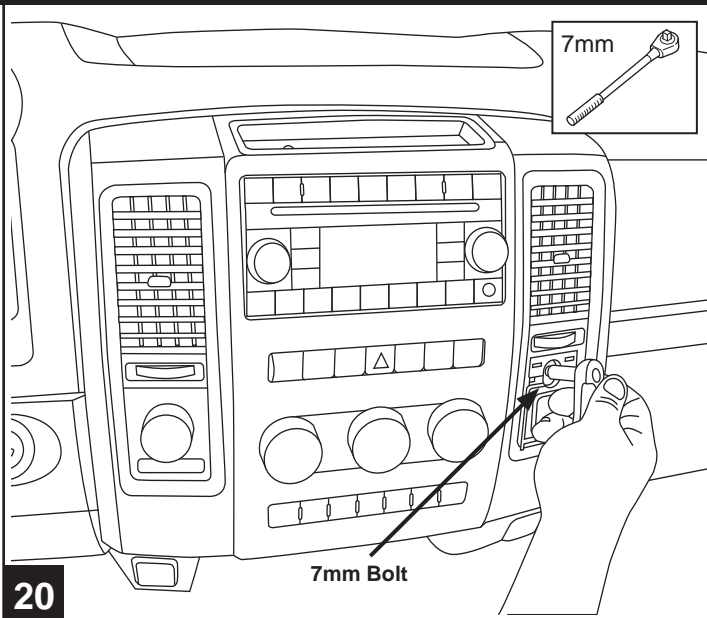
6



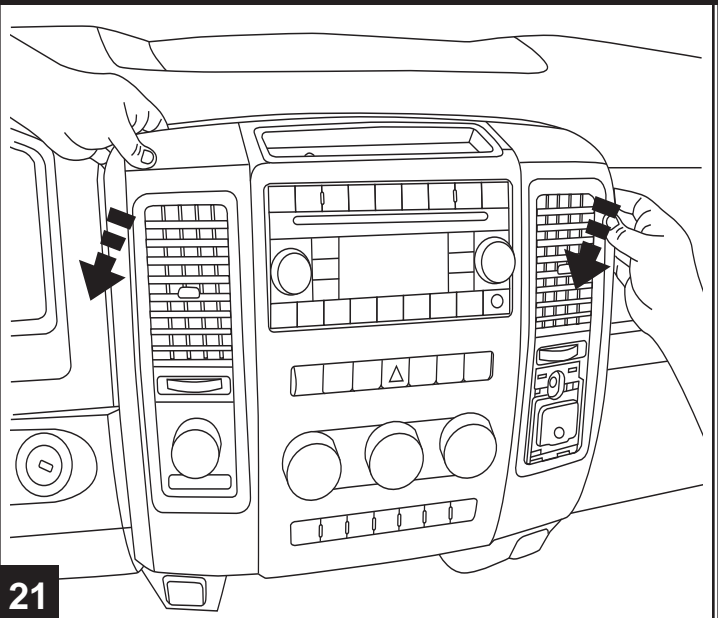
7



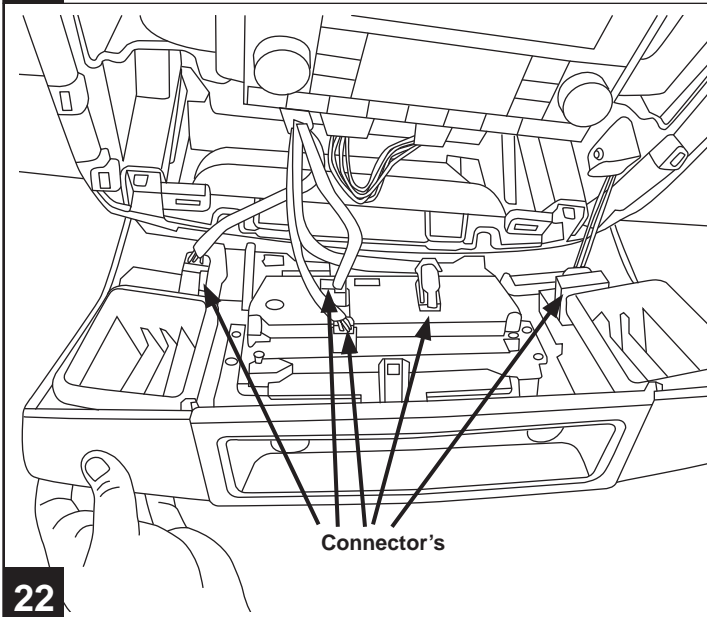




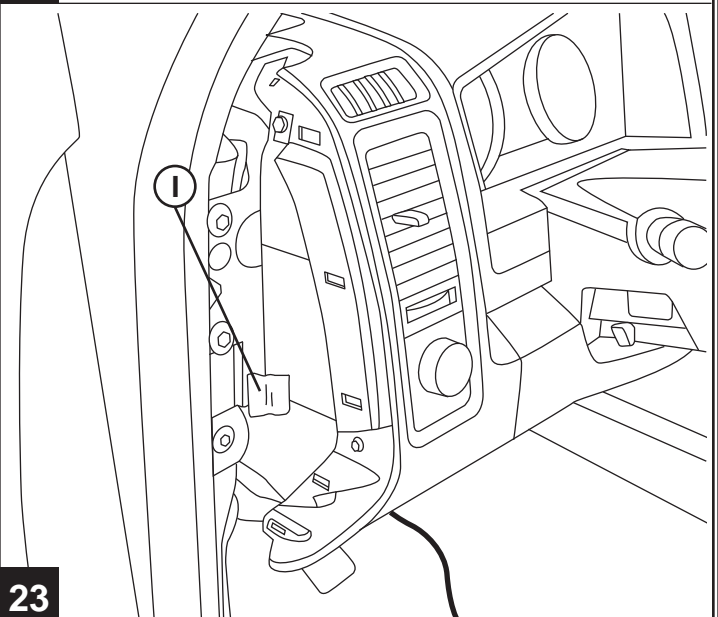
20



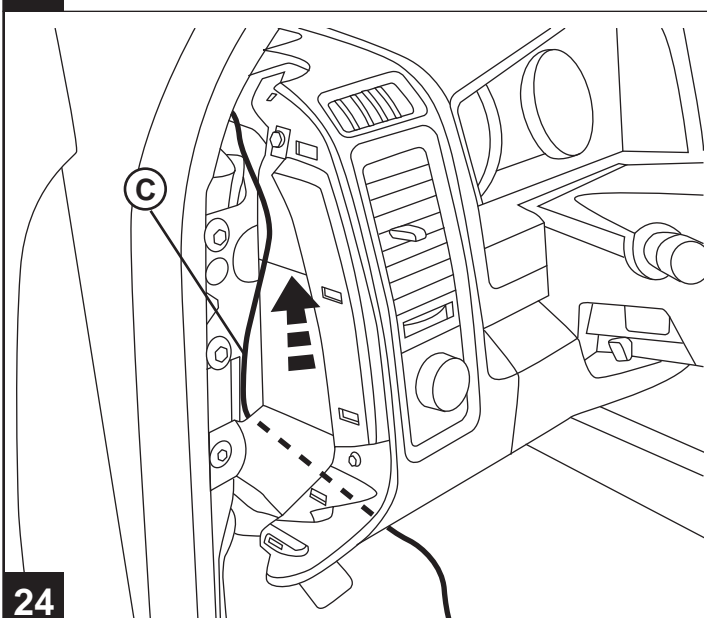
21



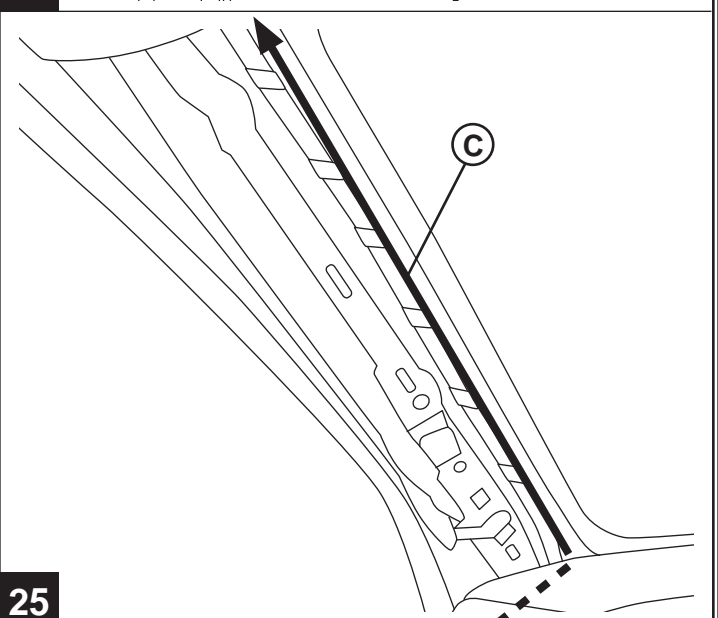
22



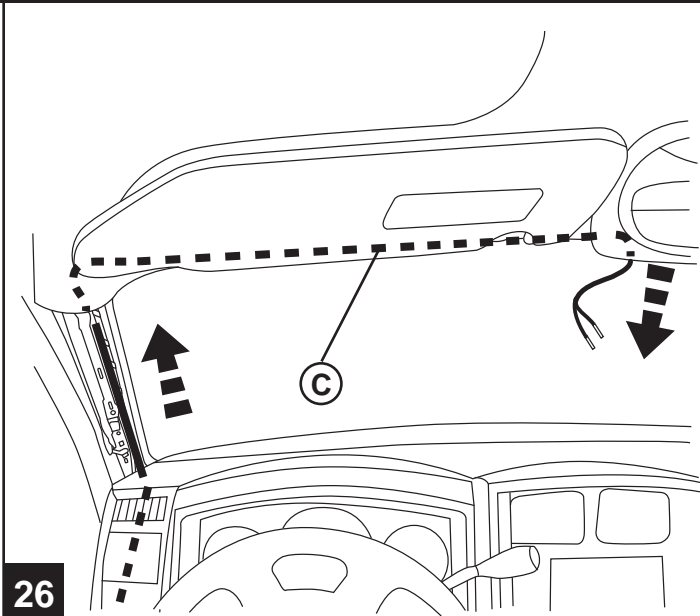
23



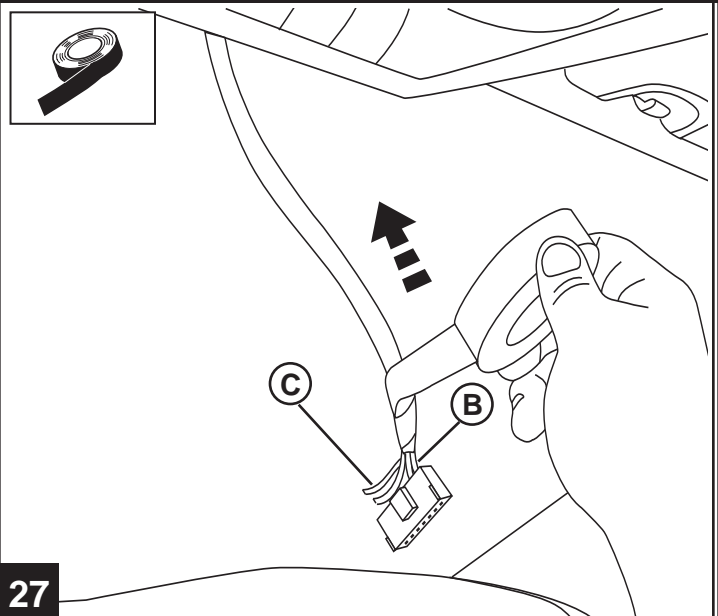
24



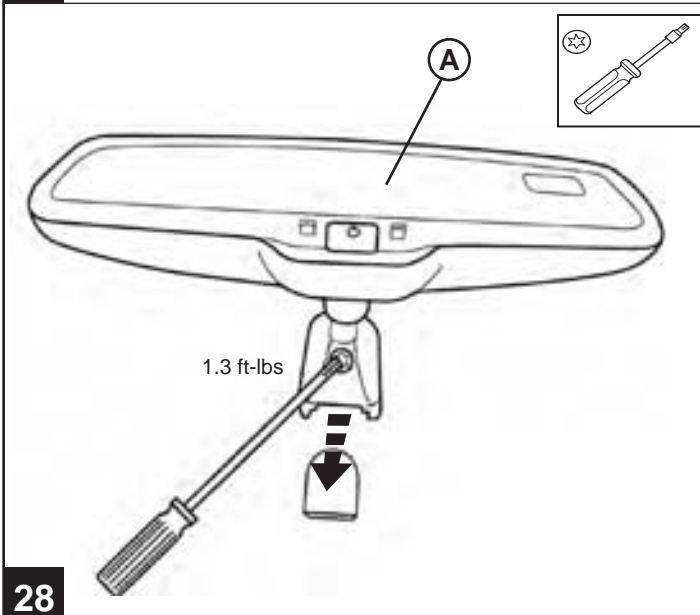
25



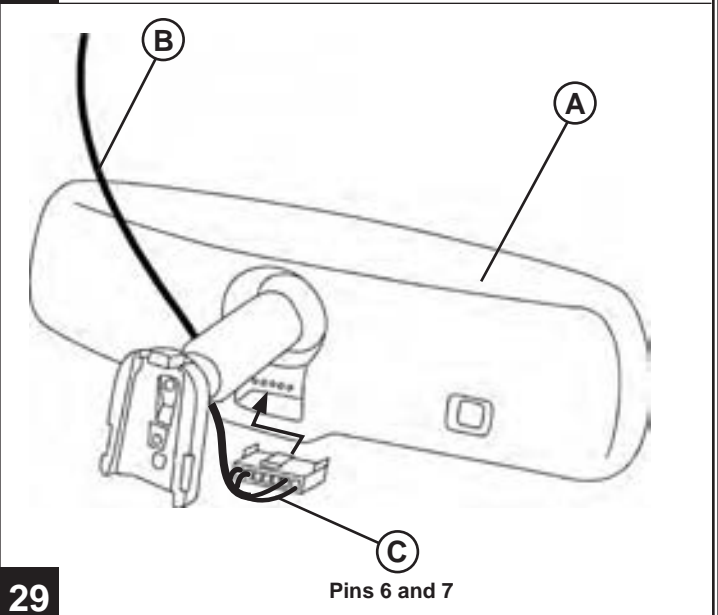
26



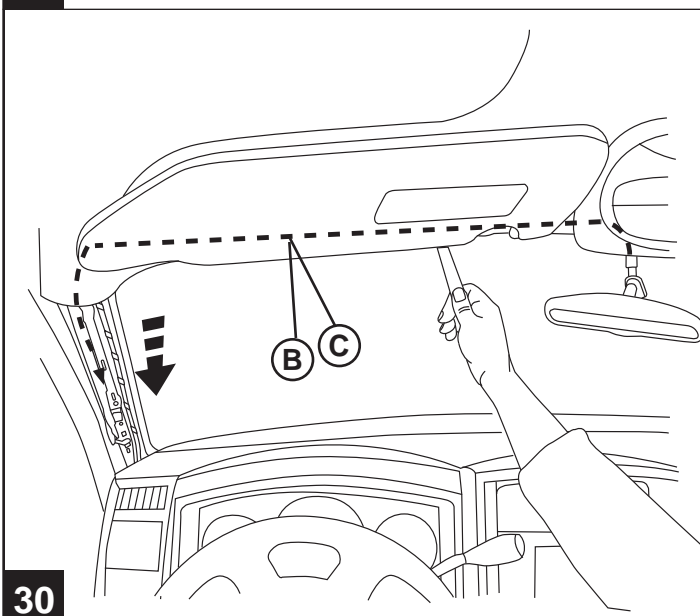
27



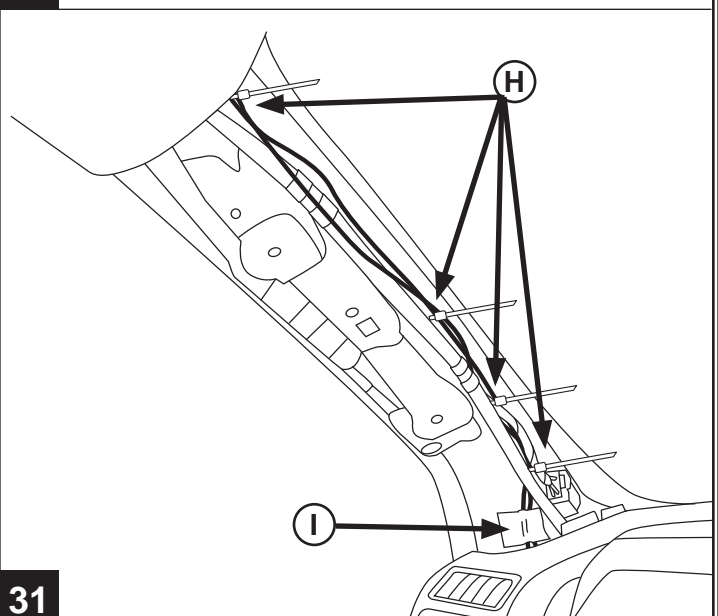
28



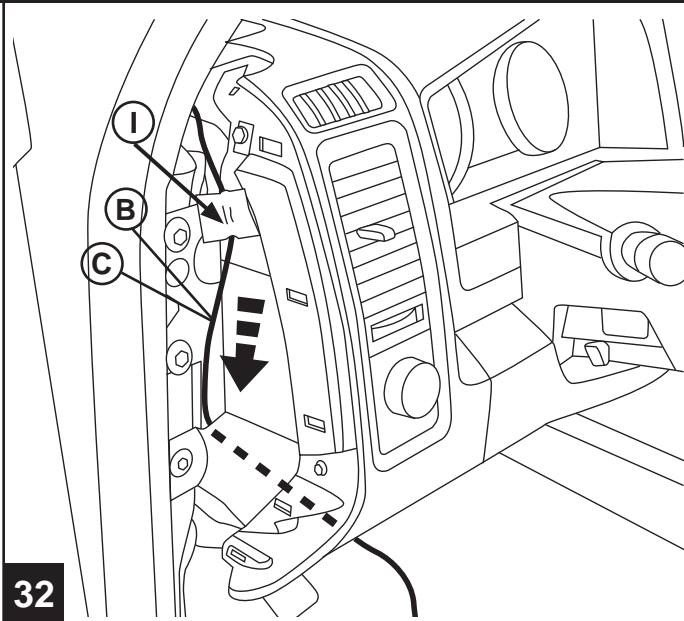
29



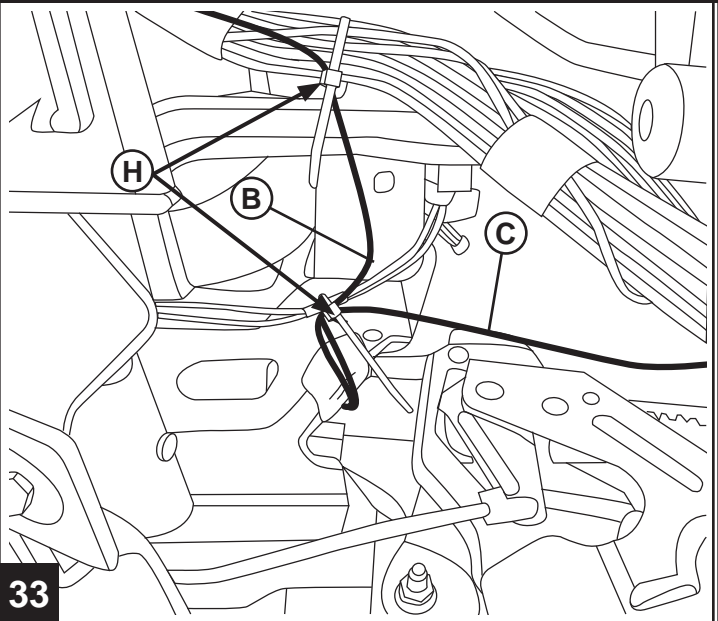
30



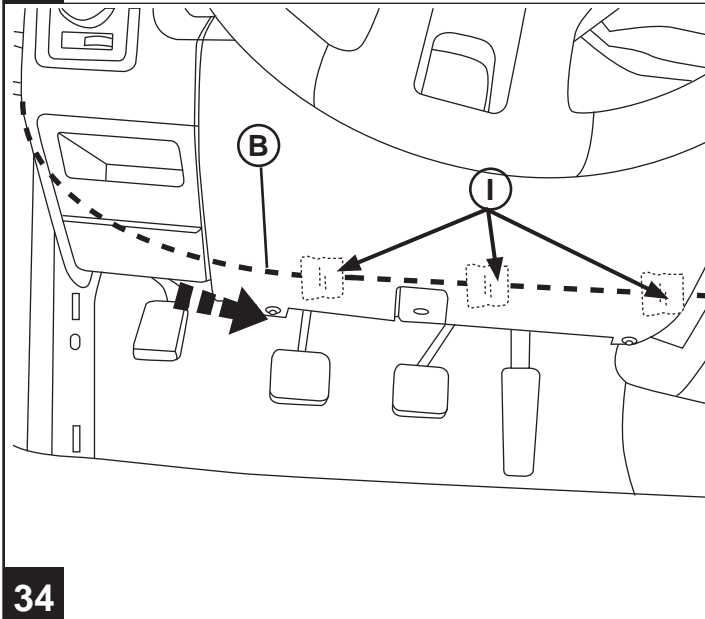
31



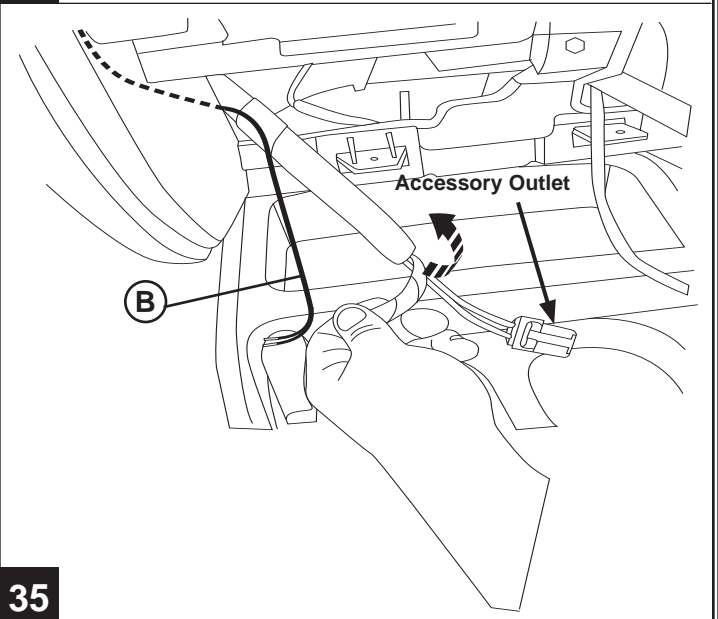
32



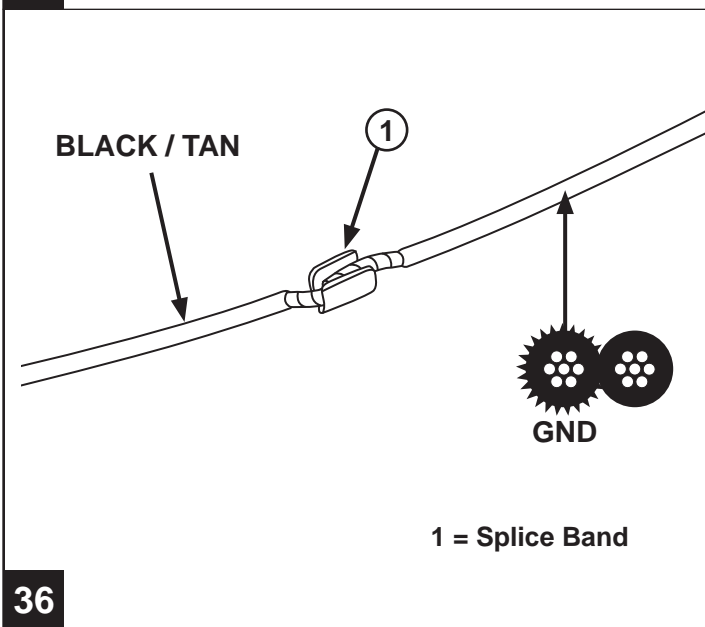
33



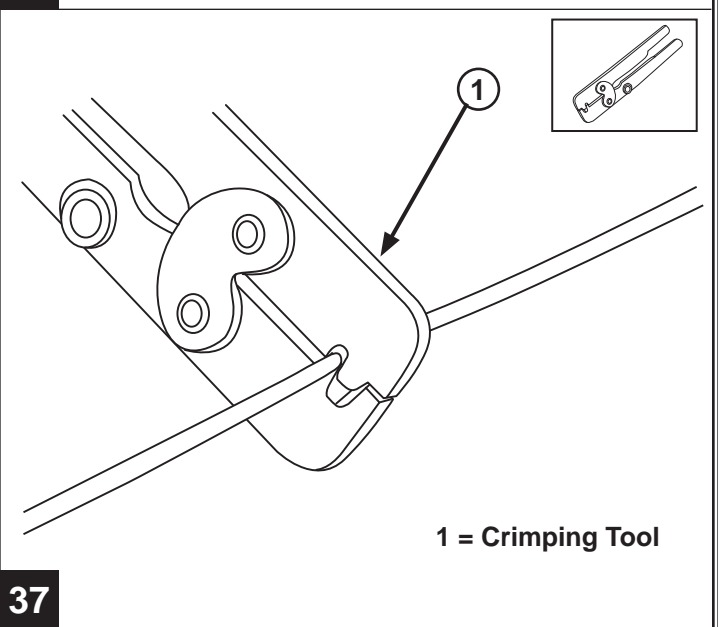
34



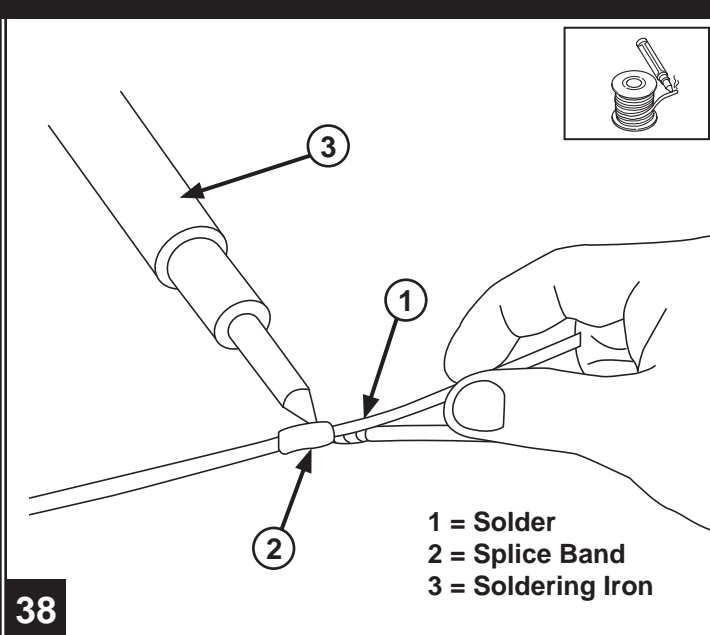
35



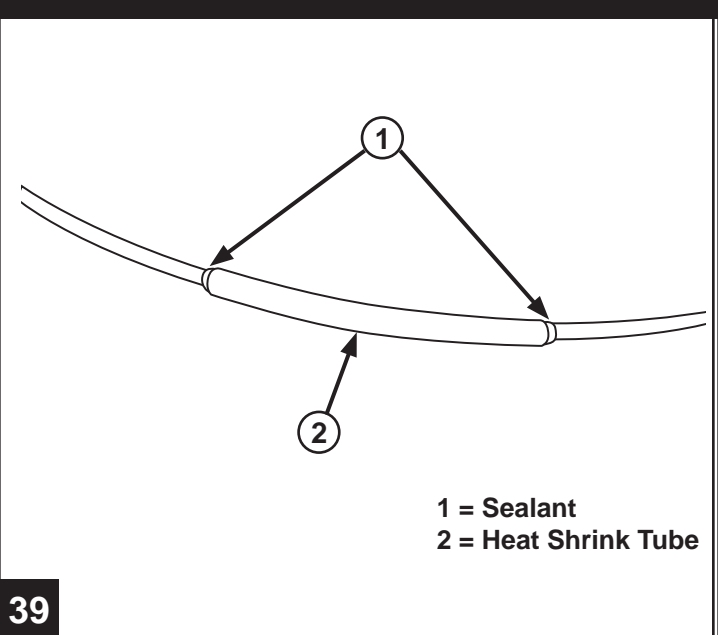
36



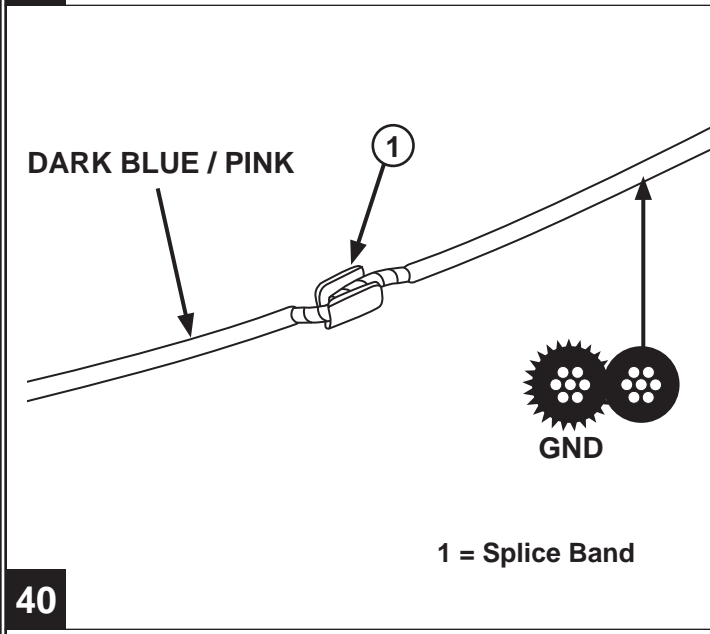
37



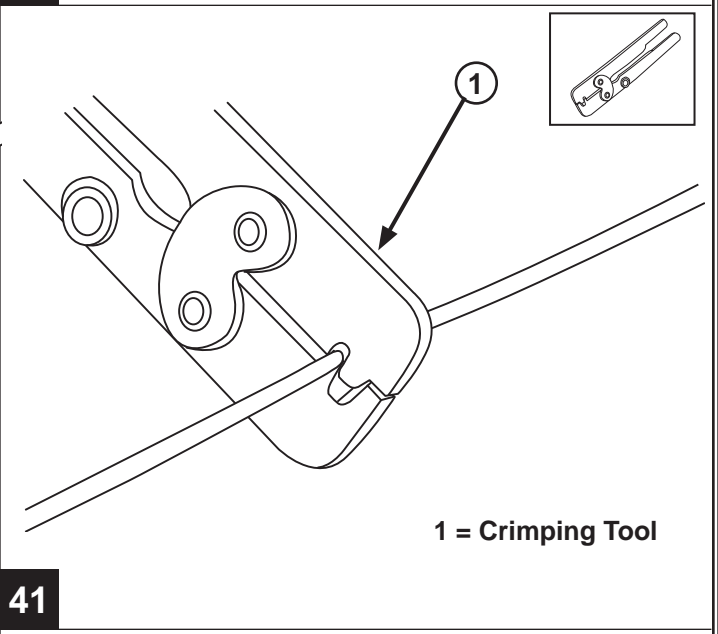
38



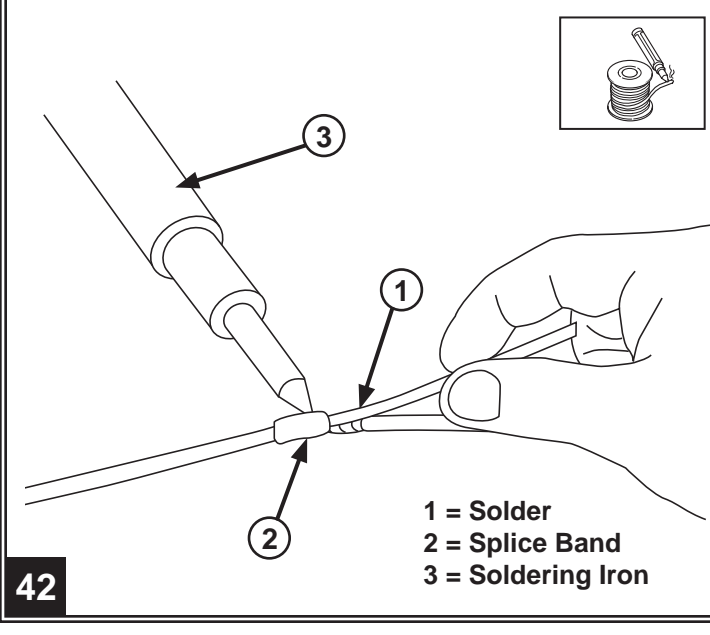
39



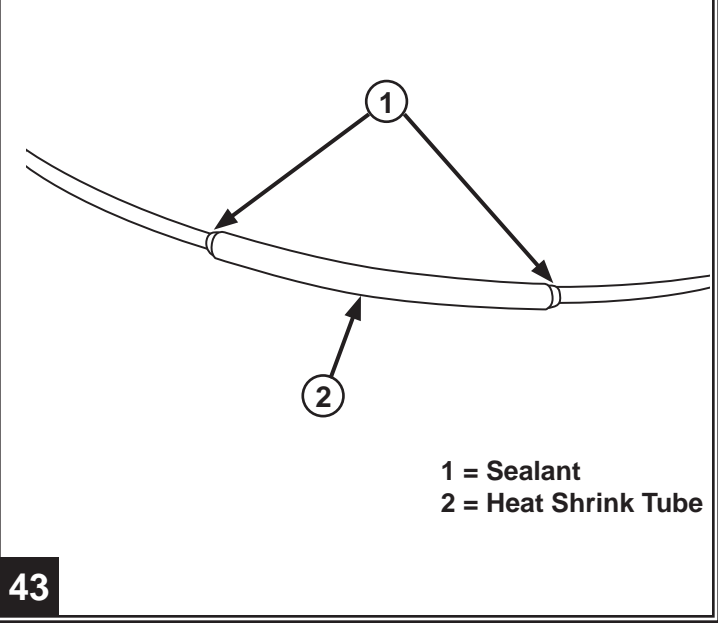
40



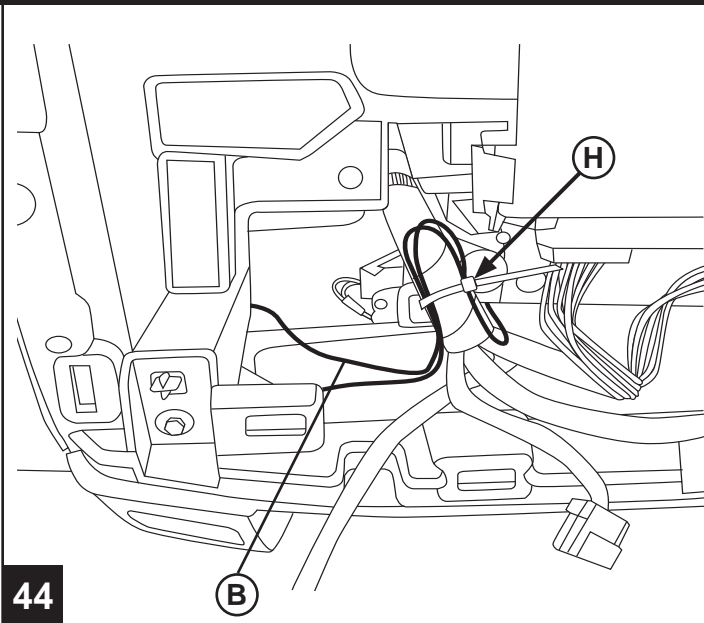
41



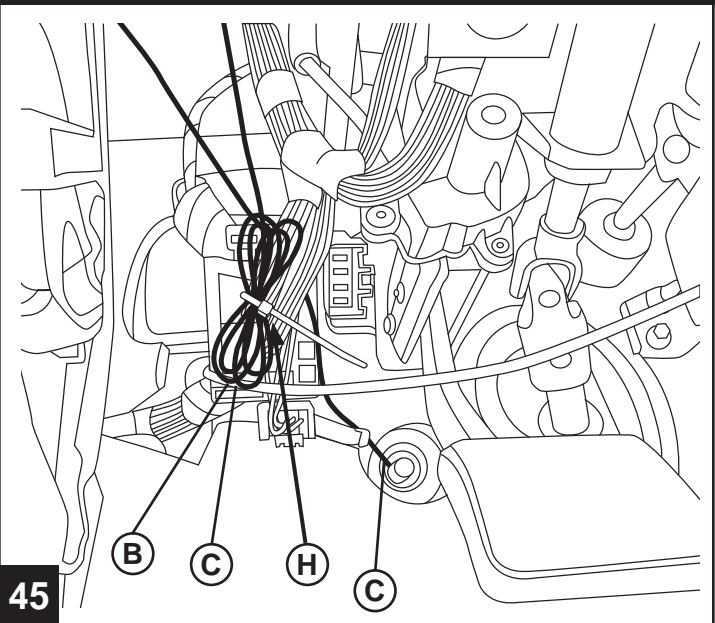
42



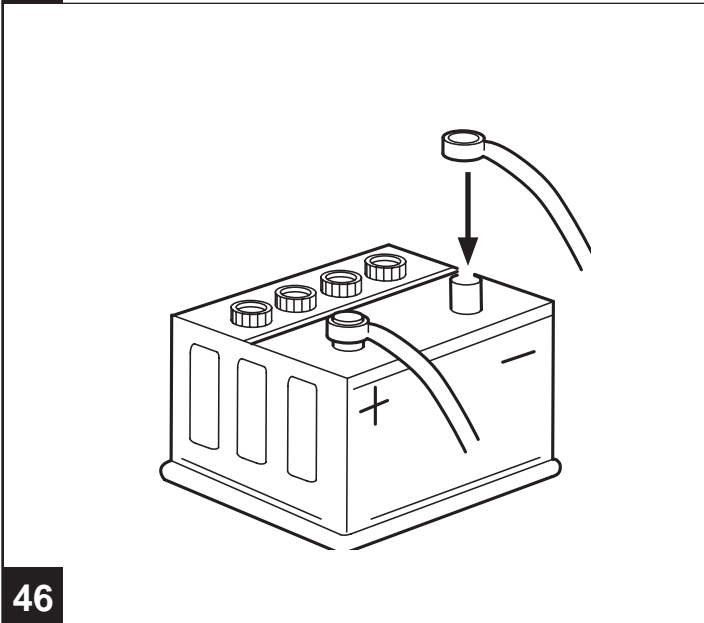
43



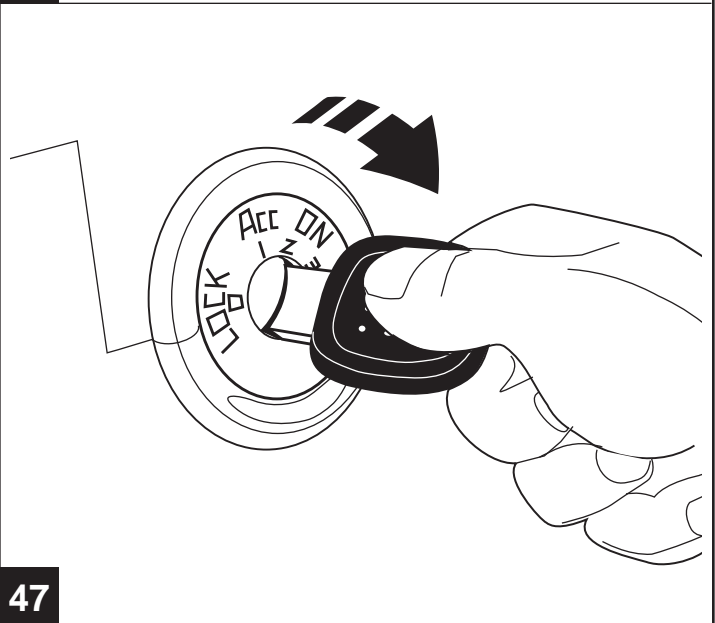
44



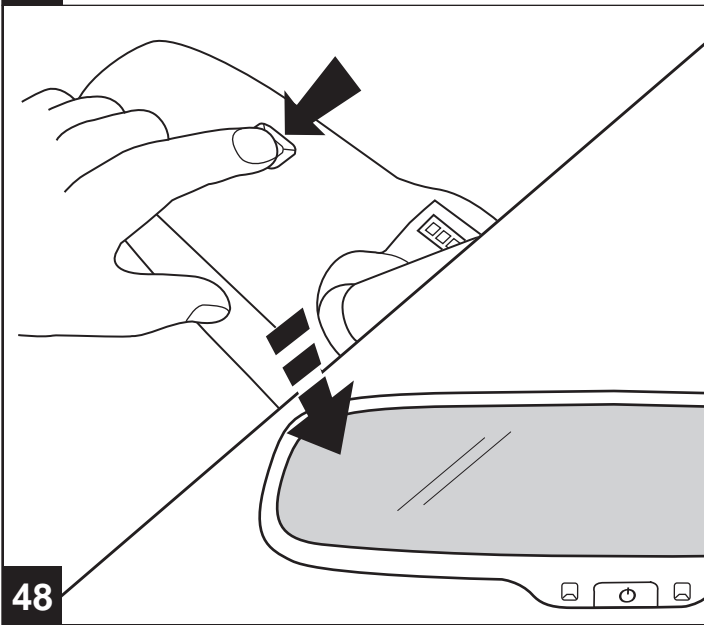
45



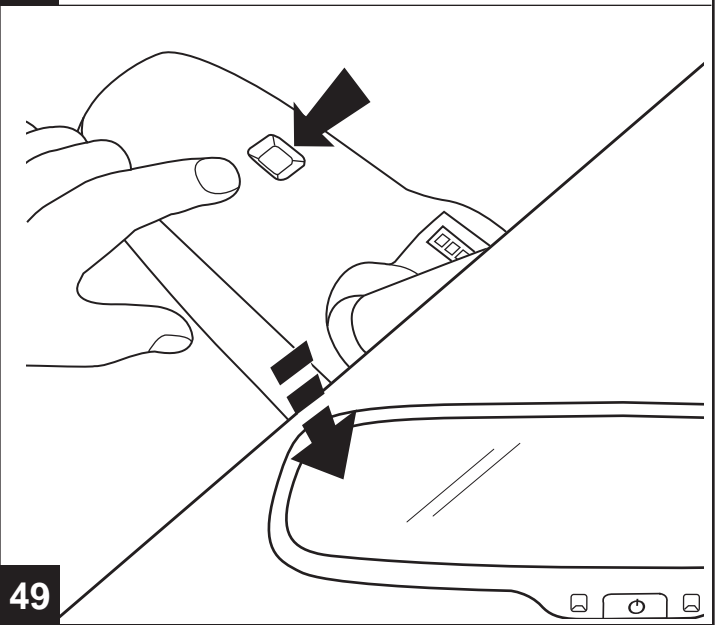
46



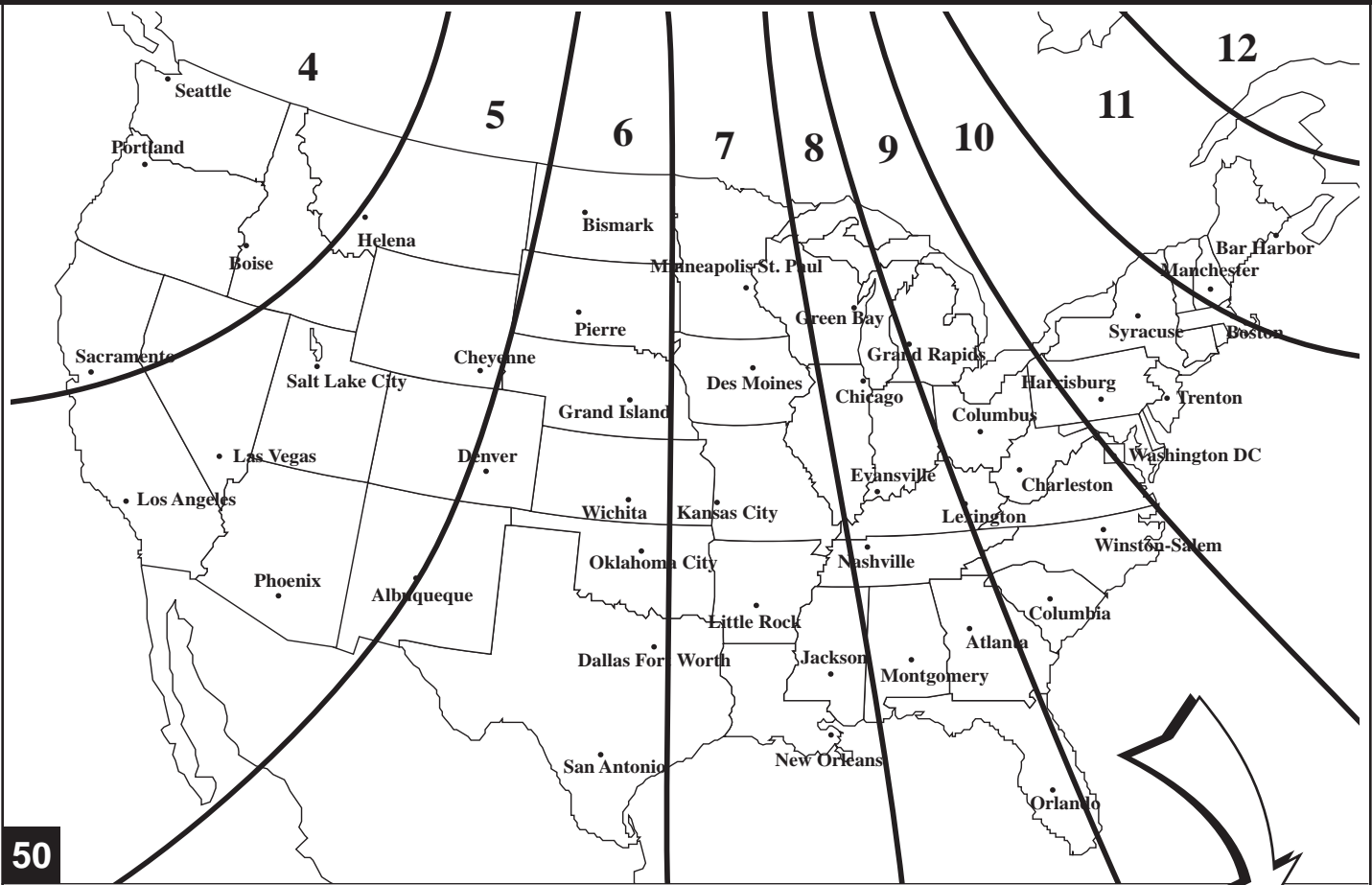
47



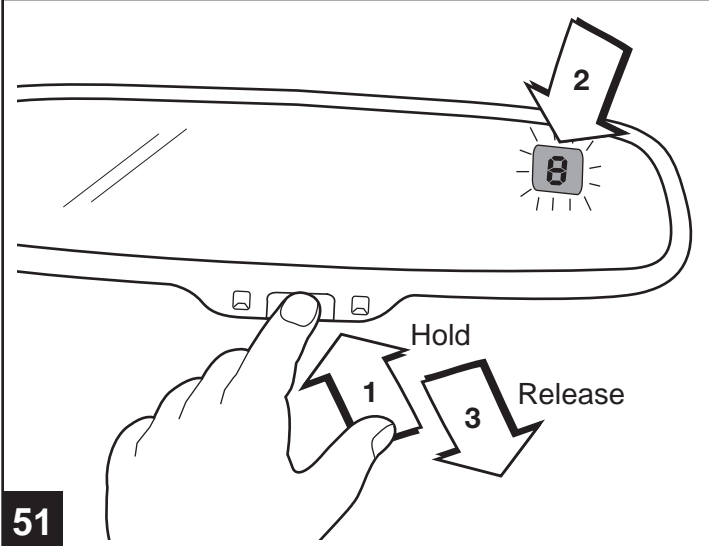
48



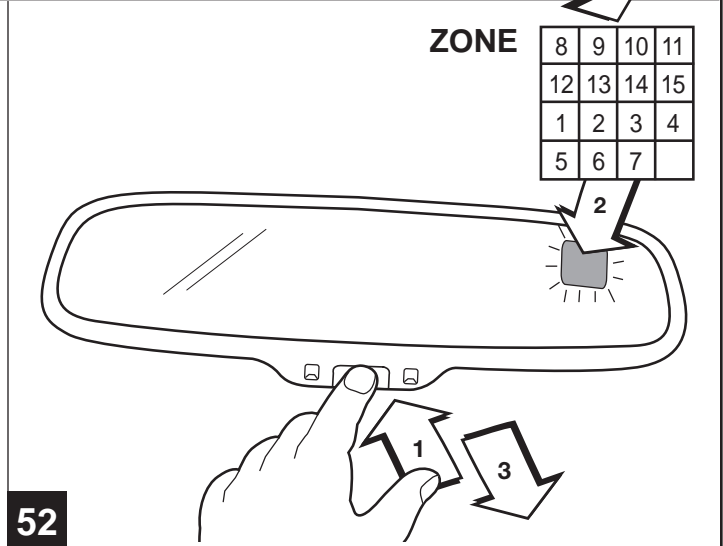
49



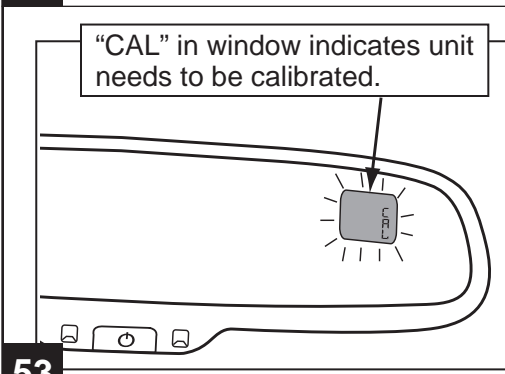
50



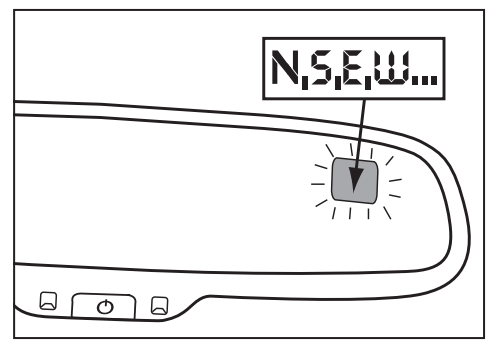
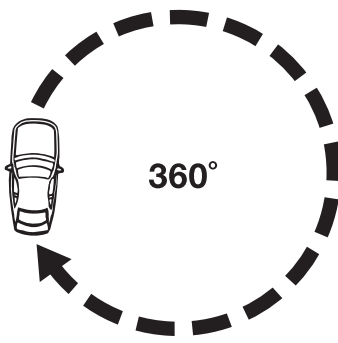
51



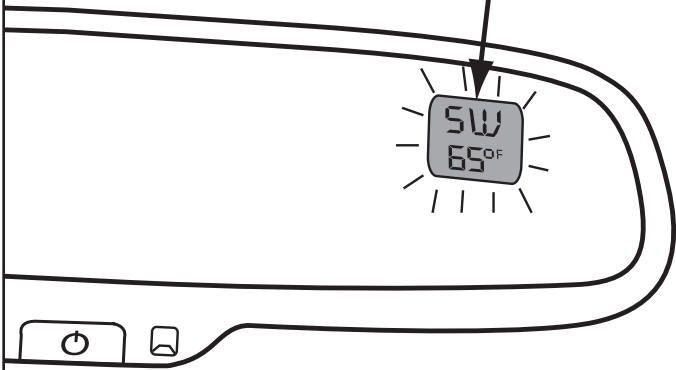
52



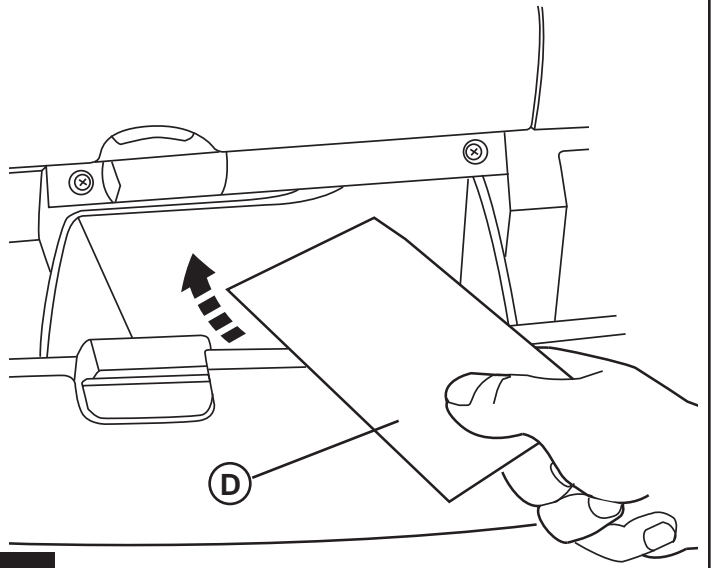
53



Check Temp Display



54



55