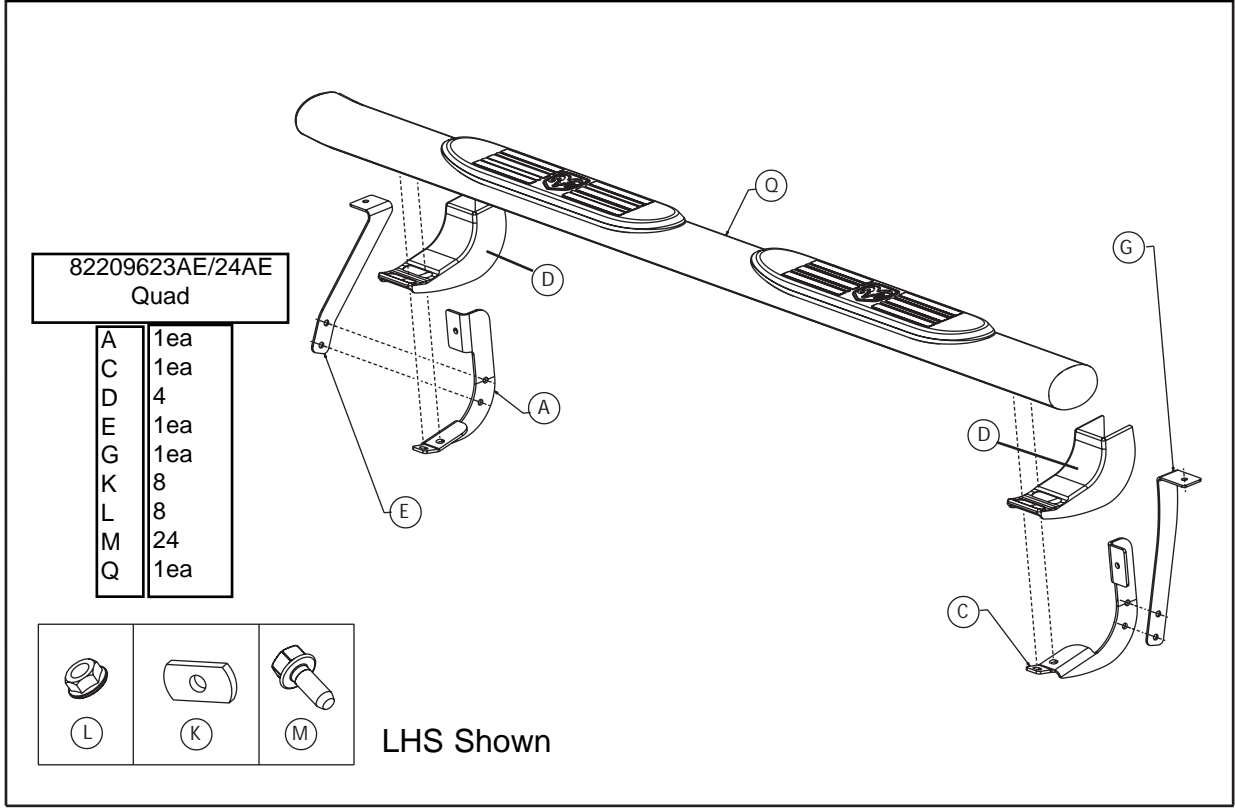
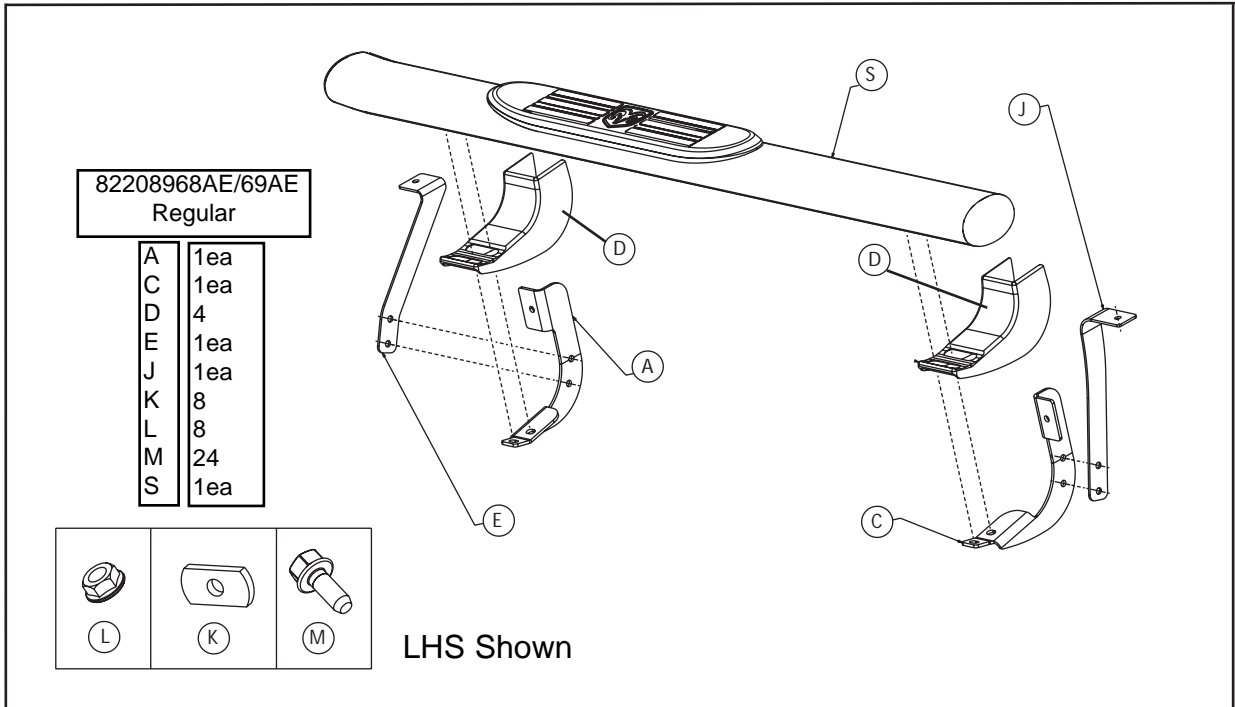
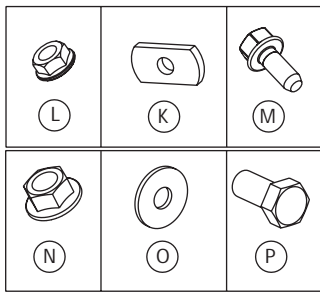
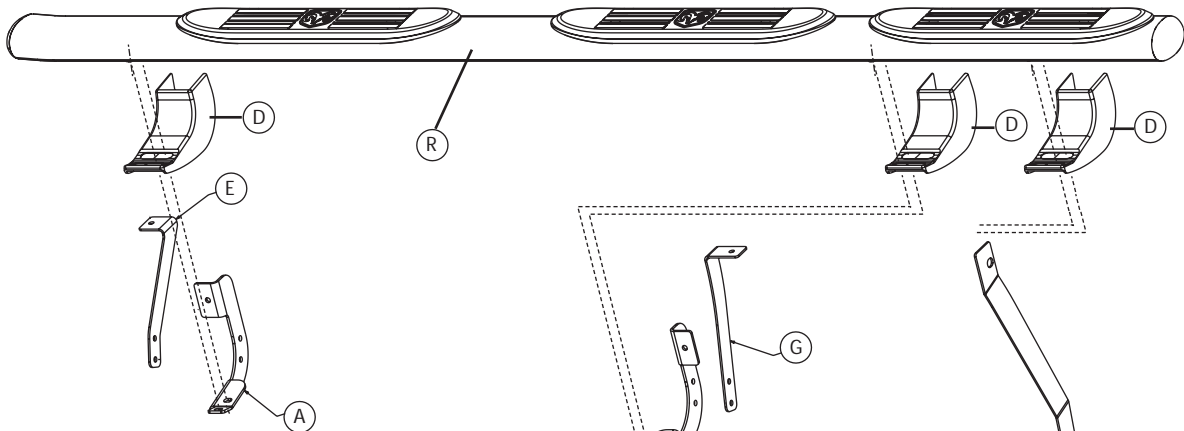




Dodge Ram

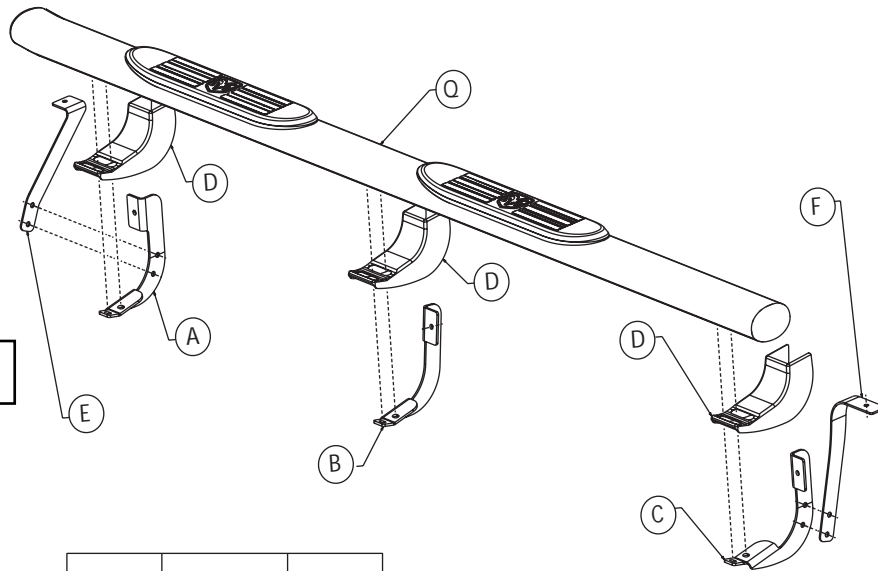
Regular, Quad, Quad Wheel to Wheel, Mega Cabs
Tubular Side Step



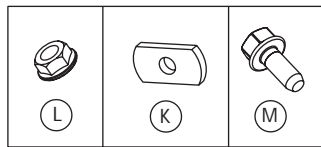


82210060AE W2W			
A	1ea	N	2
C	1ea	O	2
D	6	P	2
E	1ea	R	1ea
G	1ea		
H	1ea		
K	8		
L	8		
M	28		

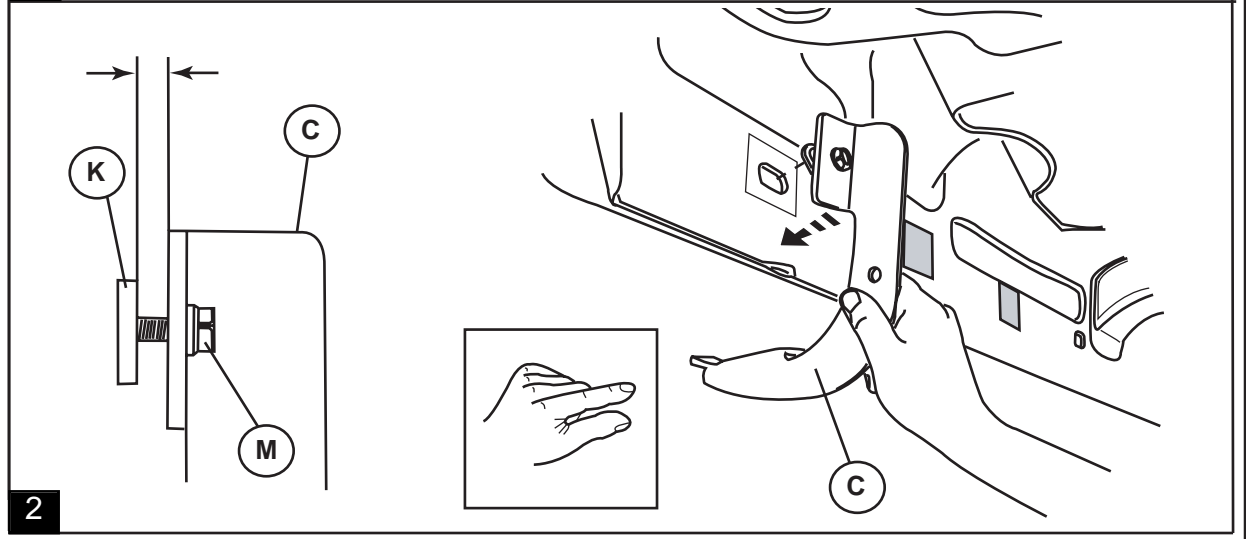
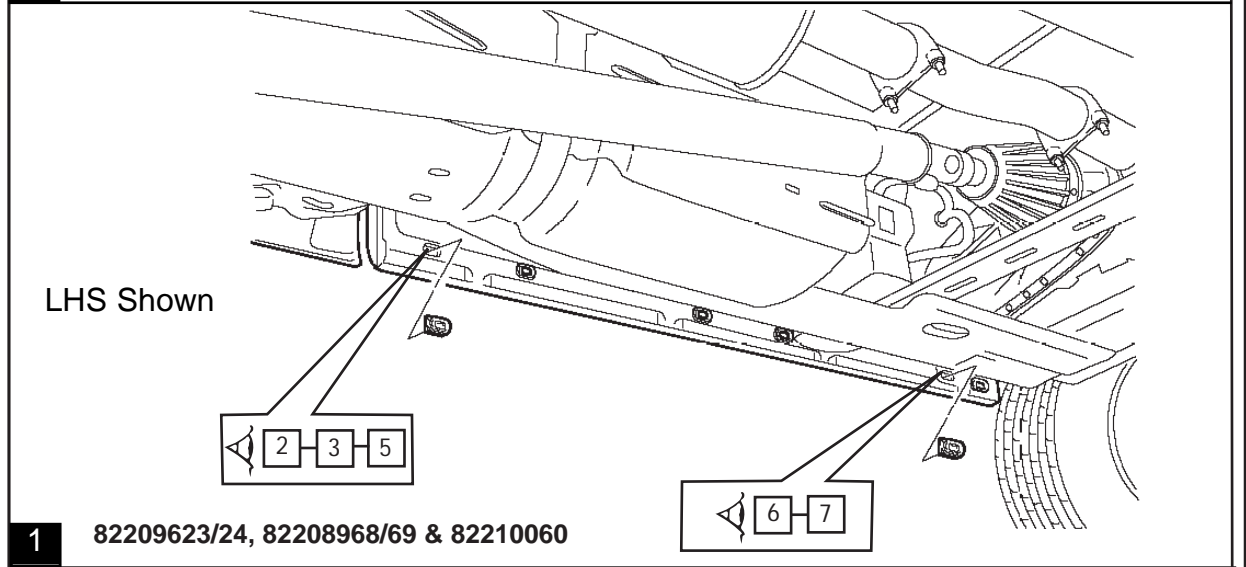
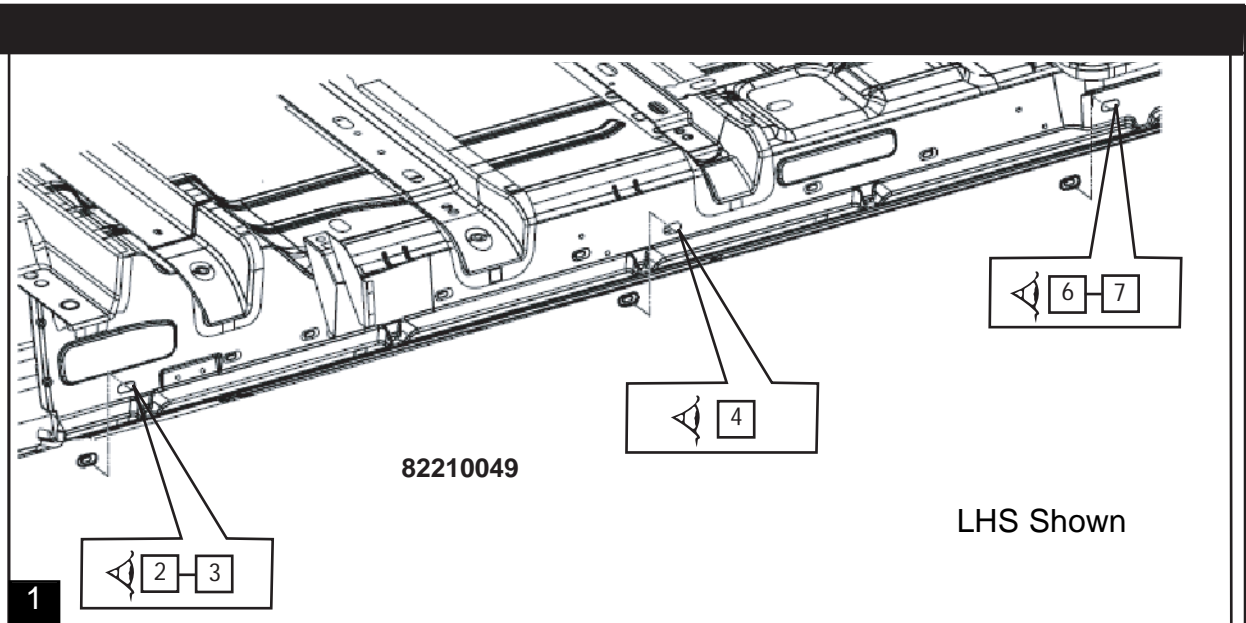
LHS Shown

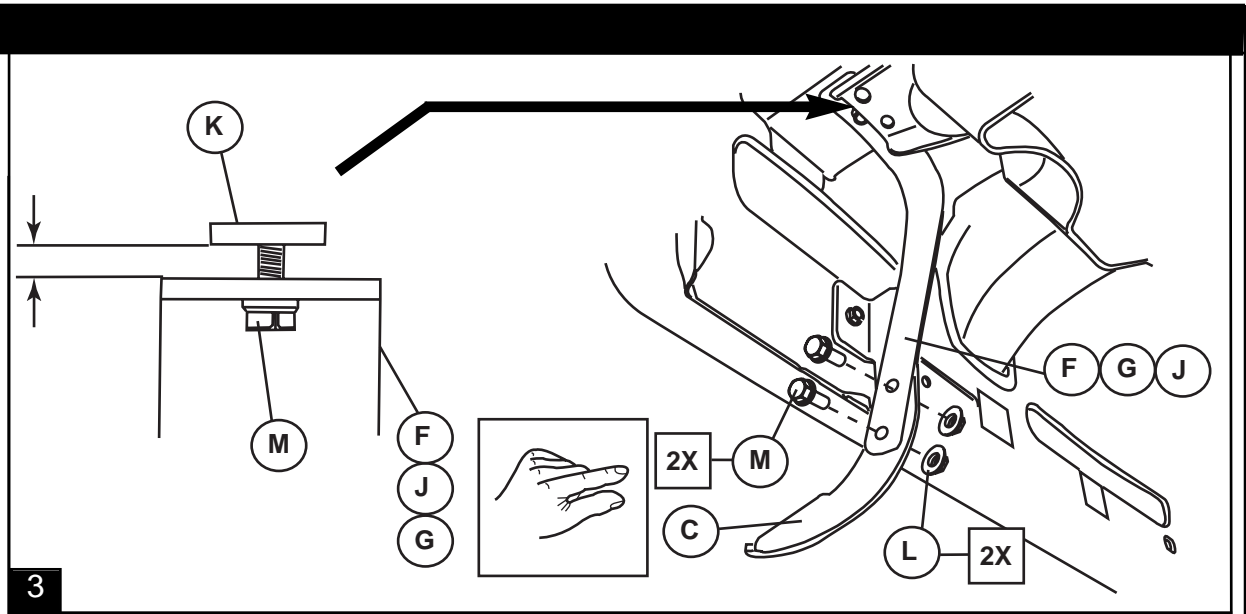


82210049AE Mega	
A	1ea
B	2
C	1ea
D	6
E	1ea
F	1ea
K	10
L	8
M	30
Q	1ea

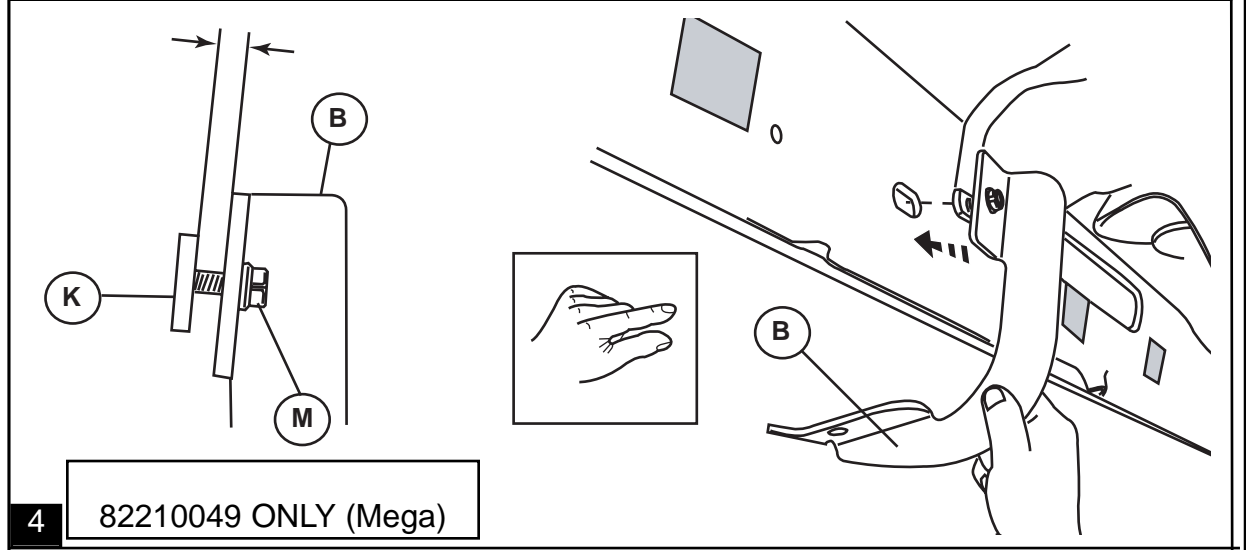


LHS Shown



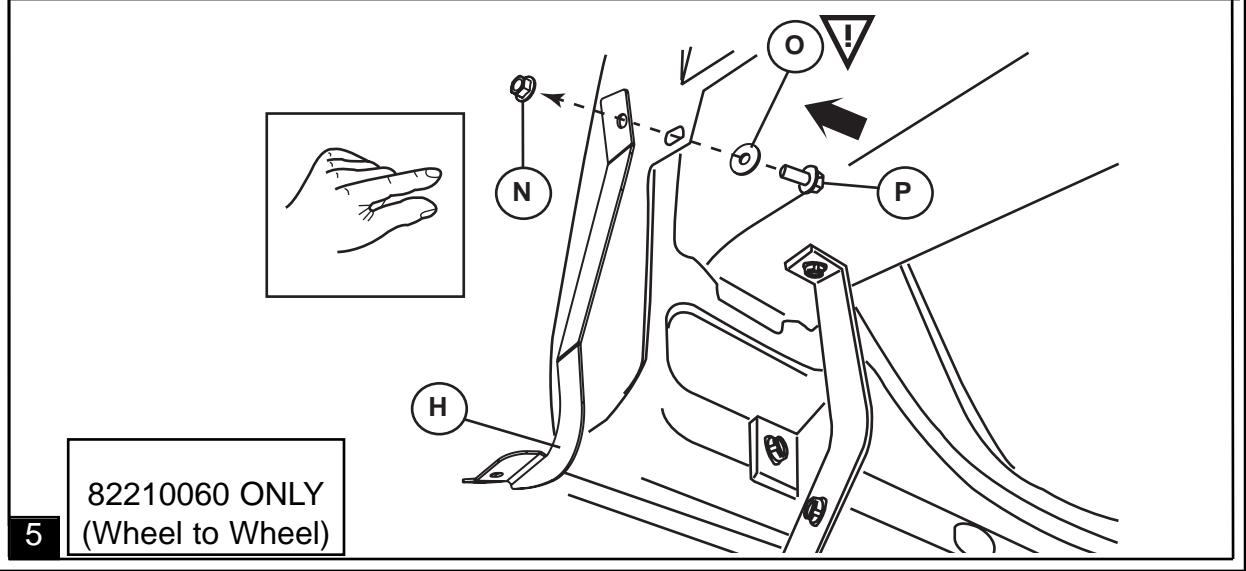


3



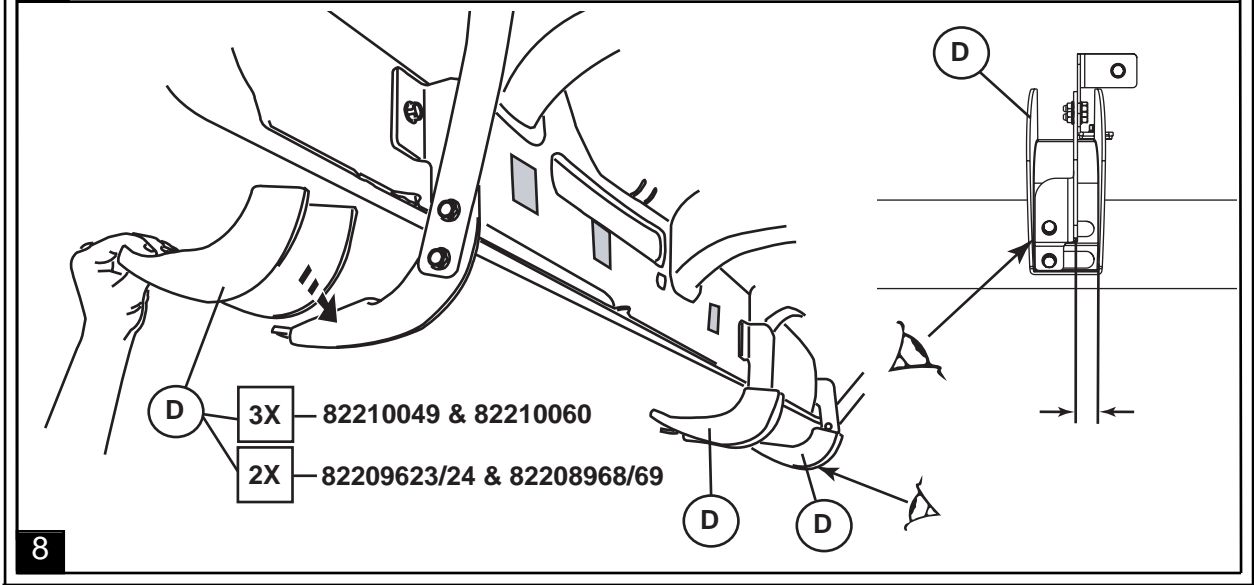
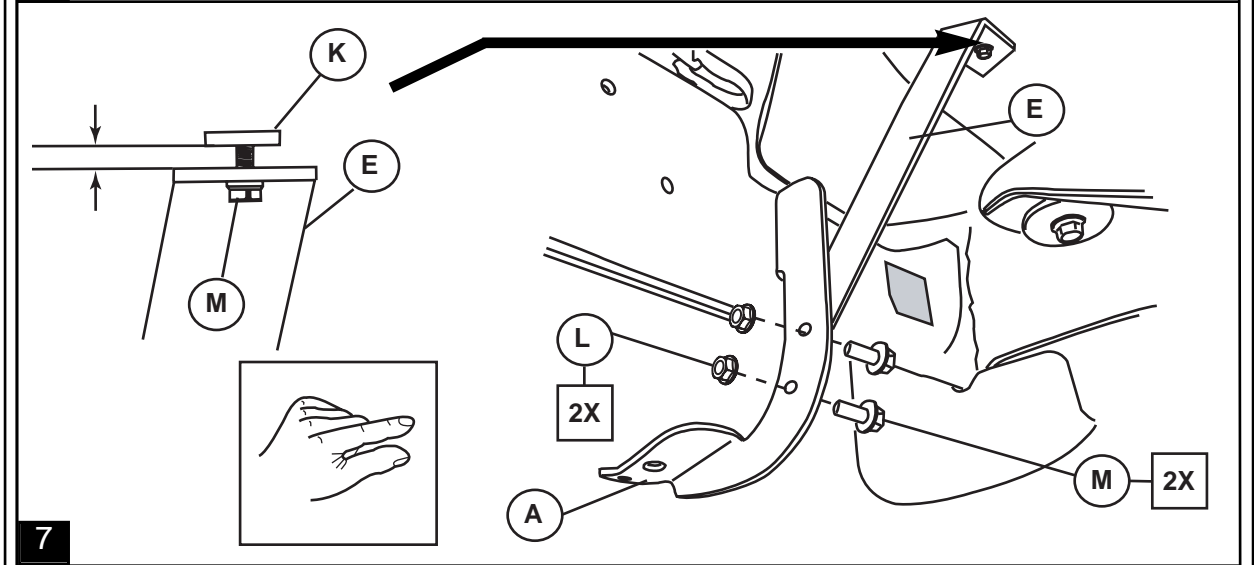
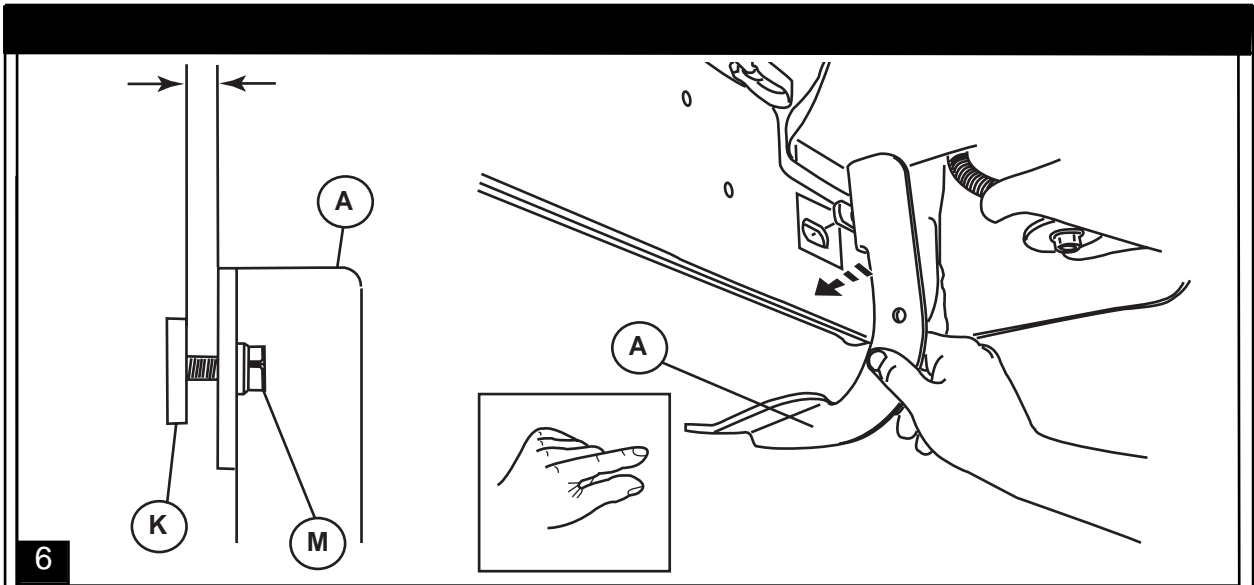
4

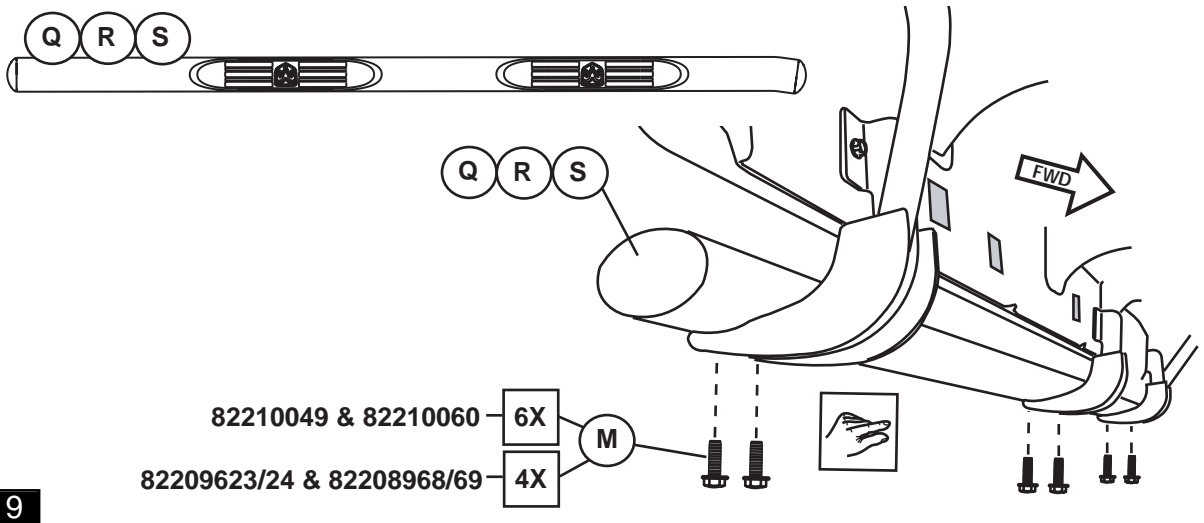
82210049 ONLY (Mega)



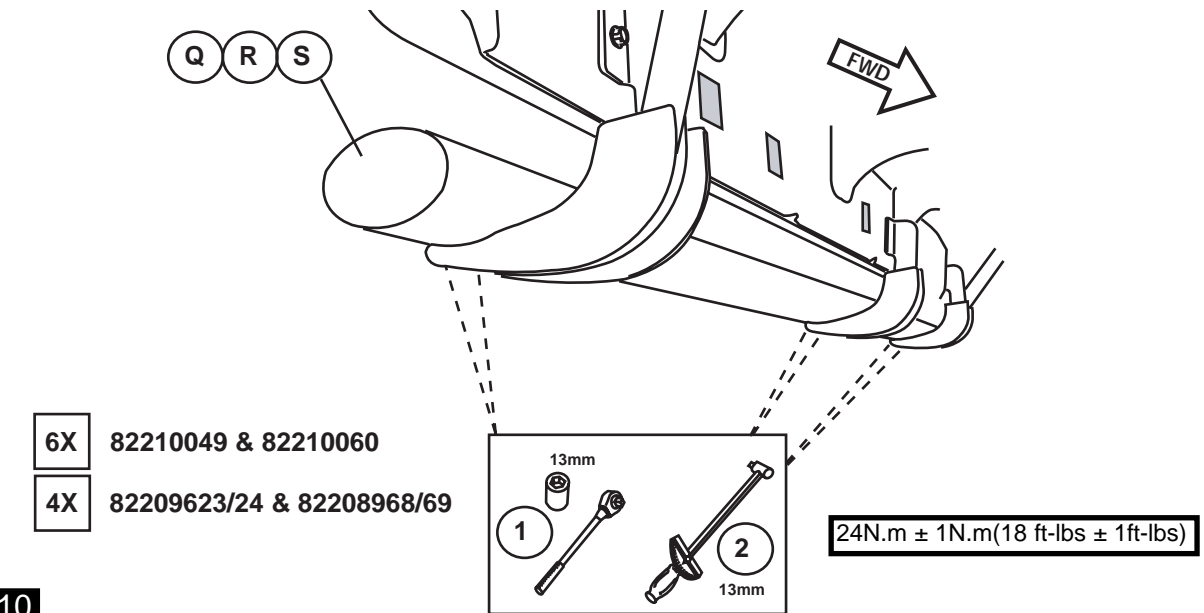
5

82210060 ONLY
(Wheel to Wheel)





9



10

Tighten all flange head fasteners to 18ft-lbs ± 1 ft-lbs. (24N.m ± 1 N.m).
 82210060 - Items P,O,N to 78 ft-lbs. (105 N.m).
 Repeat for Passenger Side.
 Caution - Do Not Over-Torque.

Apriete todos cierres de cabeza de reborde a 18ft-lbs ± 1 ft-lbs. (24N.m ± 1 N.m).
 82210060 - Los articulos P,O,N a 78 ft-lbs. (105 N.m).
 Repita para el lado de pasajero.
 Precaution - No Apriete Demasiado.

Resserrer tous fermoirs de tête de bride à 18ft-lbs ± 1 ft-lbs. (24N.m ± 1 N.m).
 82210060 - D'articles P,O,N à 78 ft-lbs. (105 N.m).
 Répéter pour le côté du passager.

11

Attention: Ne Pas Surcoupler.