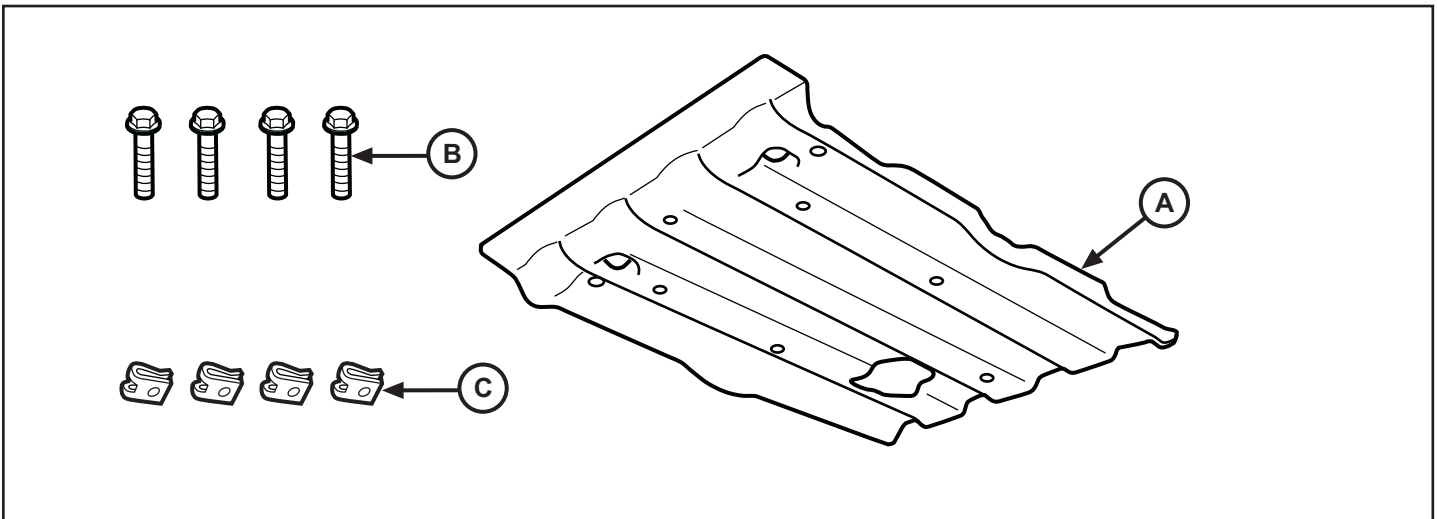




Front Skid Plate

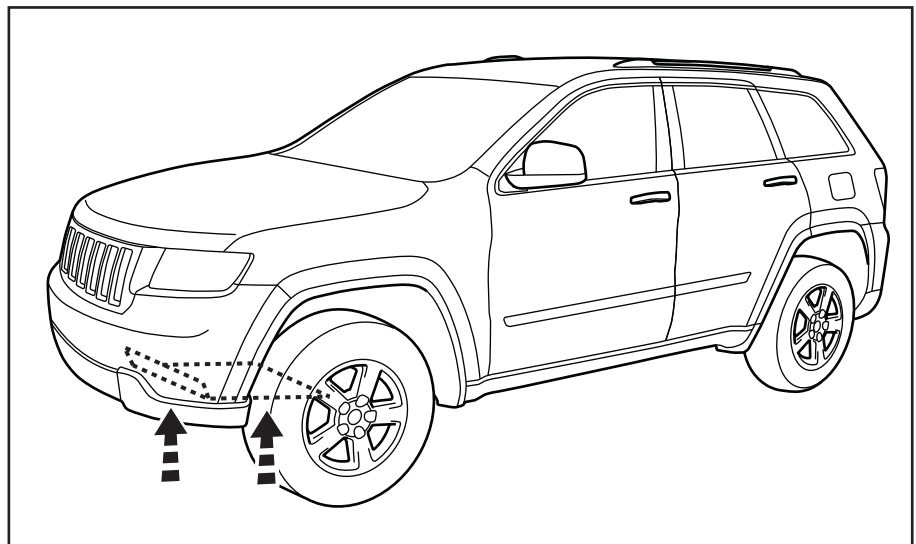
JEEP GRAND CHEROKEE



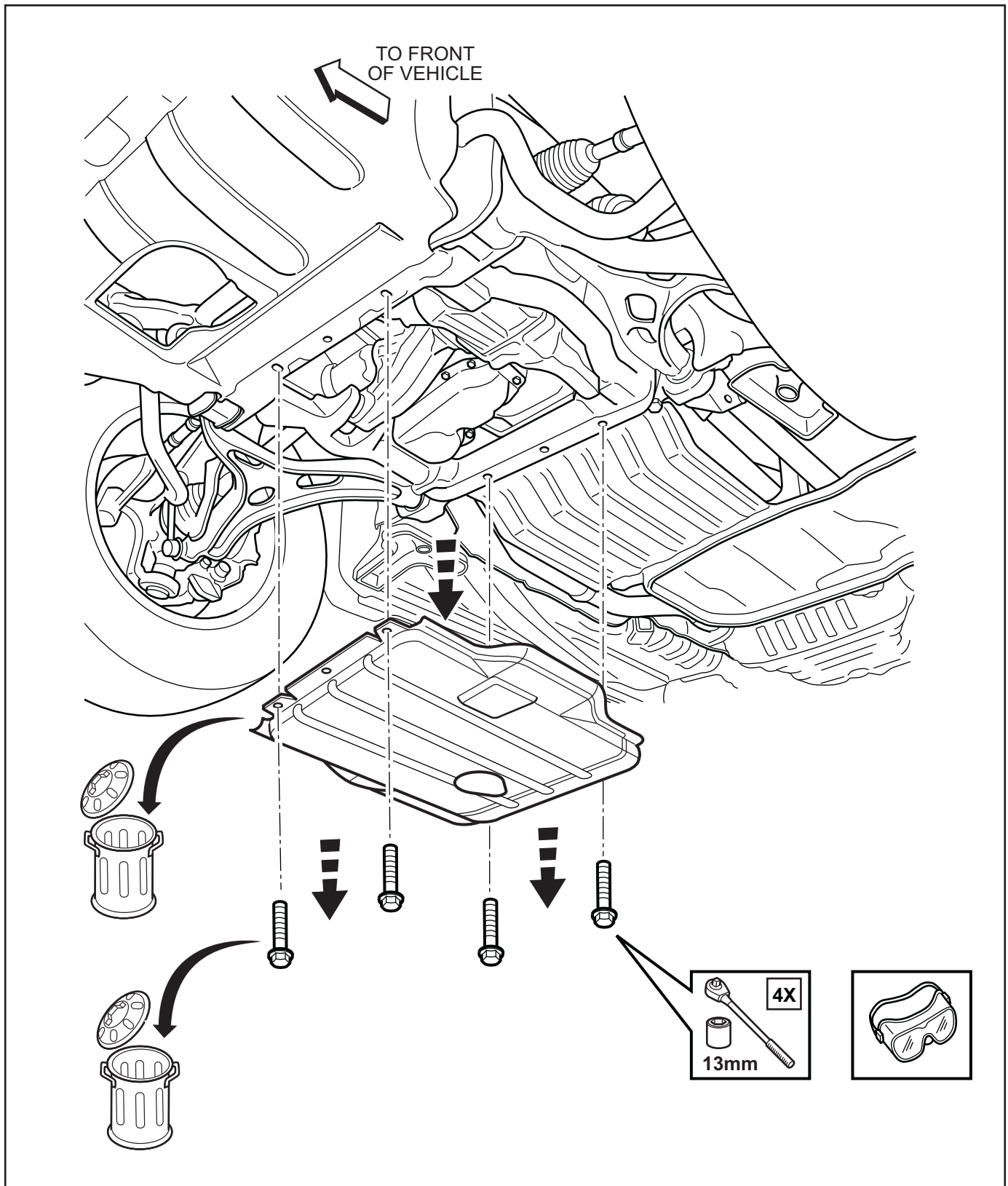
CALL OUT	DESCRIPTION	QUANTITY
A	Front Skid Plate	1
B	13mm Flange Bolt	4
C	Clip Nuts	4

FRONT SKID PLATE

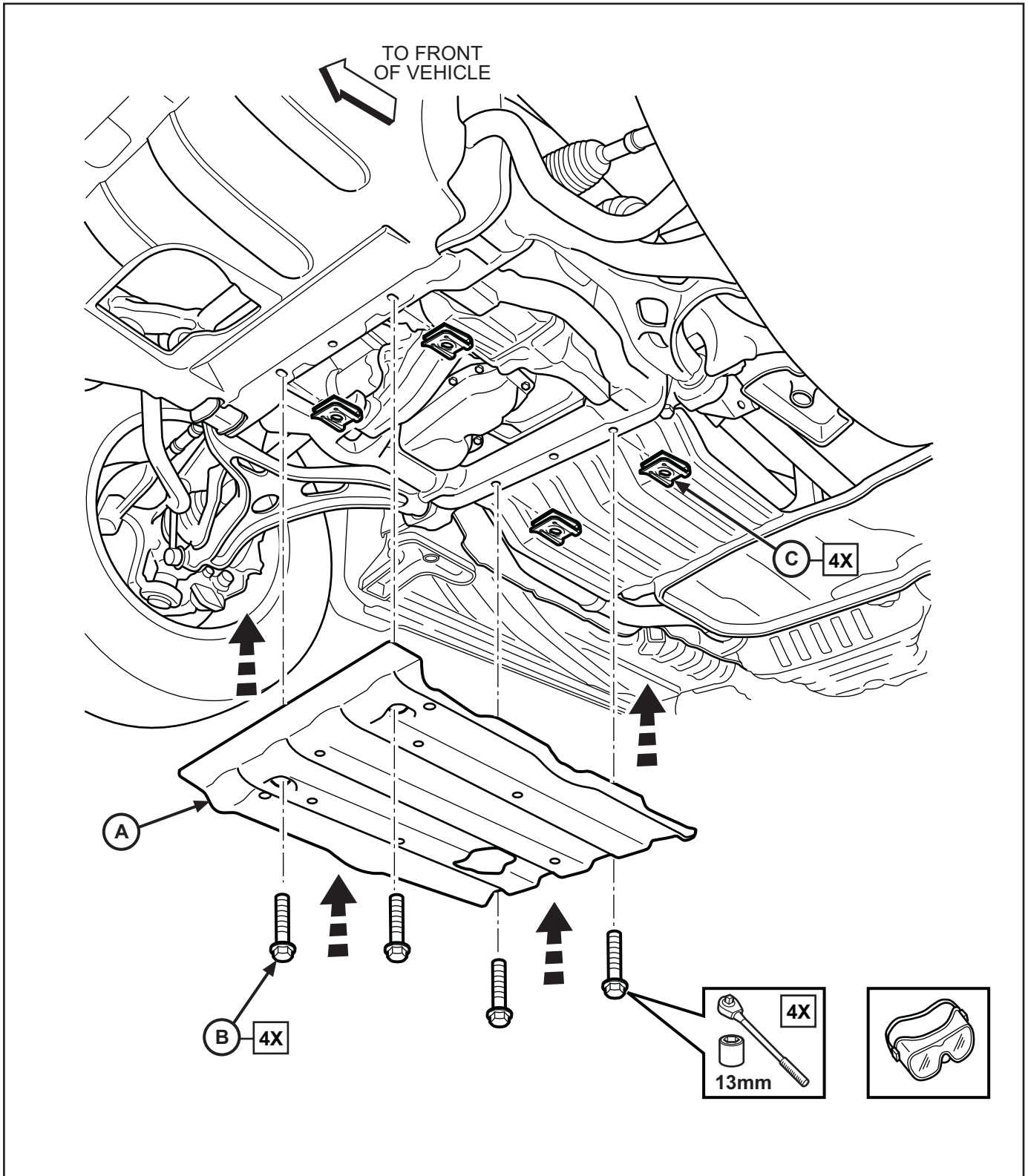
1. Mounting location shown.
2. Use hoist to raise vehicle.



2. Remove (4) 13mm bolts from the existing engine encapsulation panel. Remove the panel and discard.



3. Bolt Front Skid Plate into position as shown using (4) 13mm bolts and (4) clip nuts provided. Tighten to 19 Nm (14 ft. lbs.)



4. Lower vehicle.