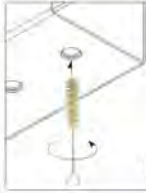




1997-06 JEEP WRANGLER TRAILER HITCH

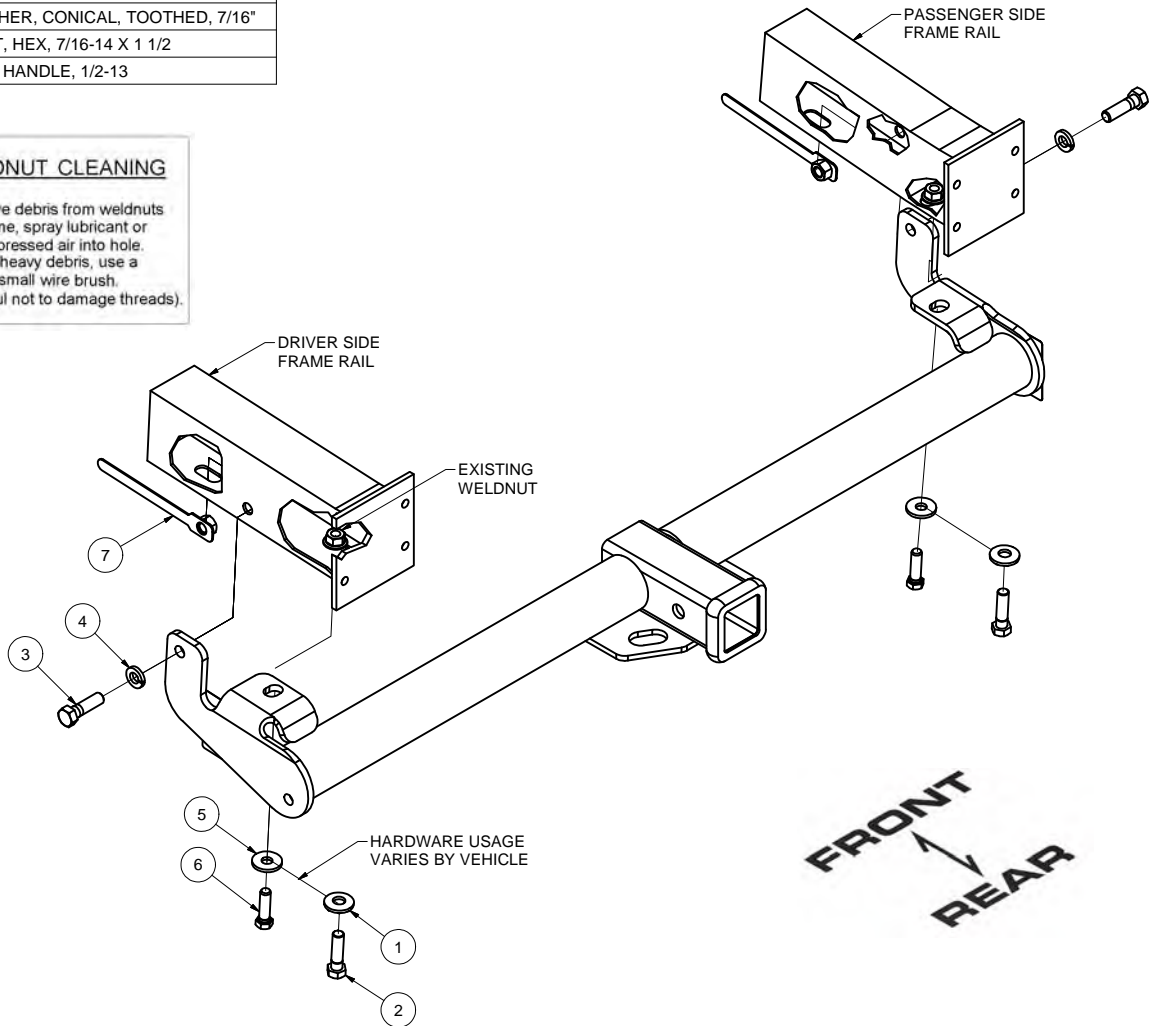
Parts List			
ITEM	QTY	PART NUMBER	DESCRIPTION
1	2	600100	WASHER, CONICAL, TOOTHED, 1/2"
2	2	600111	BOLT, HEX, M12-1.75x45
3	2	600113	BOLT, HEX, 1/2-13 X 1 3/4
4	2	600114	WASHER, LOCK, 1/2"
5	2	600116	WASHER, CONICAL, TOOTHED, 7/16"
6	2	600117	BOLT, HEX, 7/16-14 X 1 1/2
7	2	600118	NUT, HANDLE, 1/2-13

TOOLS REQUIRED
SOCKET WRENCH
5/8" SOCKET
3/4" SOCKET
TORQUE WRENCH



WELDNUT CLEANING

To remove debris from weldnuts in frame, spray lubricant or compressed air into hole. For heavy debris, use a small wire brush. (Be careful not to damage threads).



INSTALLATION INSTRUCTIONS:

1. Remove existing bolt from bumper attachment on driver and passenger side.
2. Remove tow hooks if equipped. Return hooks and hardware to vehicle owner.
3. Raise hitch into position and secure with hardware as shown. Hardware attaching to weldnut from Step 1 will vary by vehicle. Use either 7/16" bolt and 7/16" conical toothed washer, or M12 bolt and 1/2" conical toothed washer. Note: Clean weldnuts as shown in diagram prior to install.
4. Torque 1/2" hardware to 110 lb-ft (149 N•m), 7/16" hardware to 70 lb-ft (95 N•m), and M12 hardware to 79 lb-ft (107 N•m).