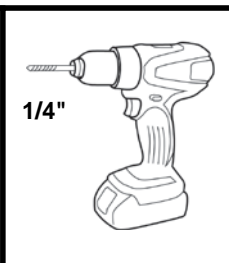
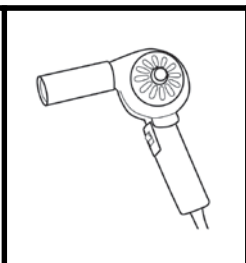
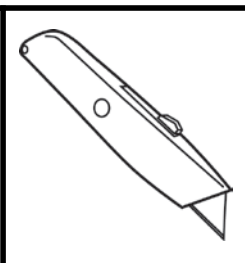
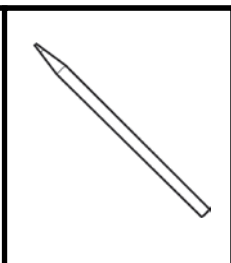
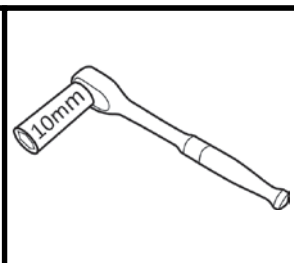
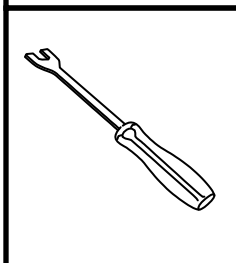
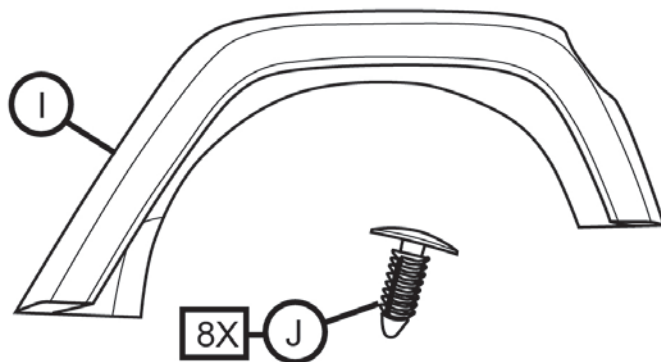
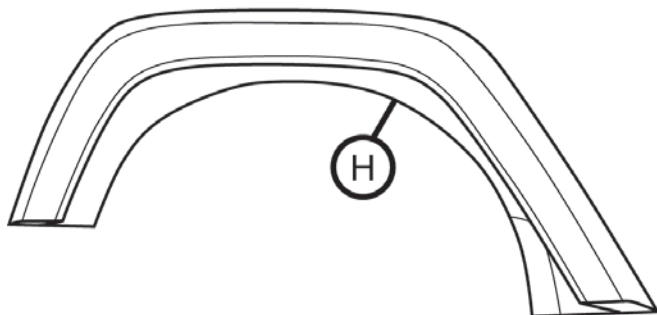
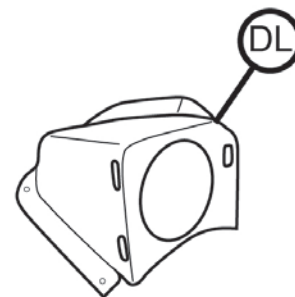
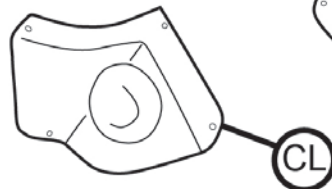
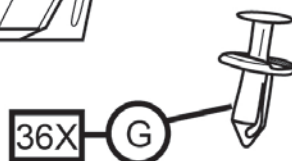
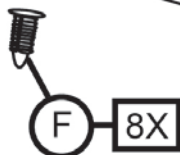
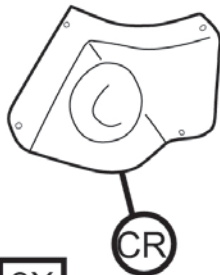
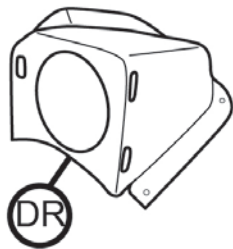
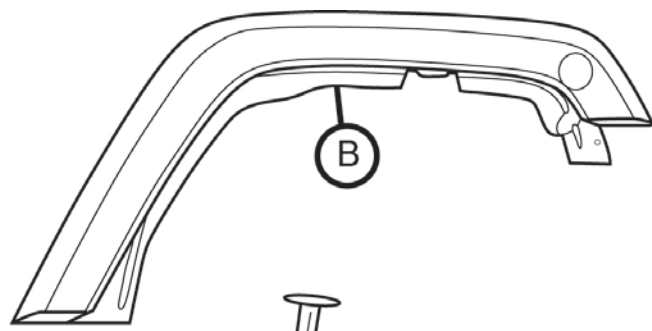
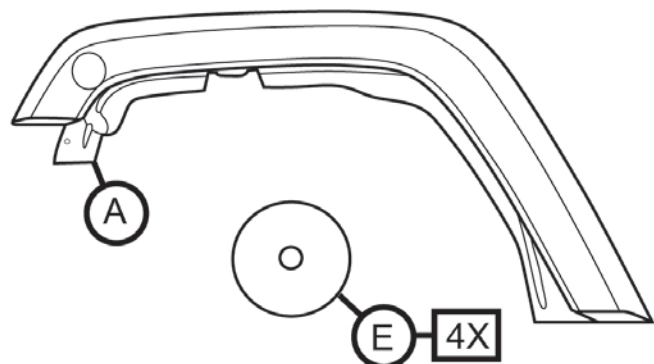


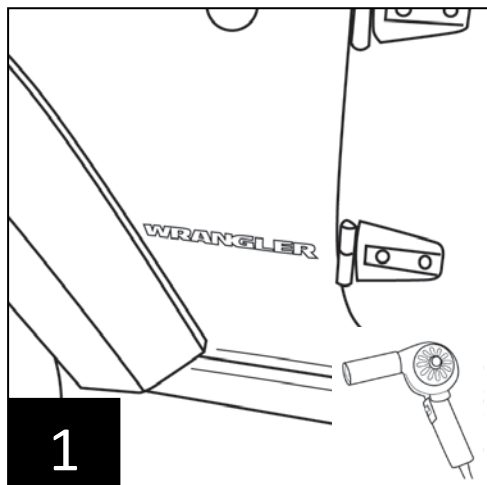


JEEP WRANGLER HIGHTOP FENDER FLARE KIT 2DR / 4DR

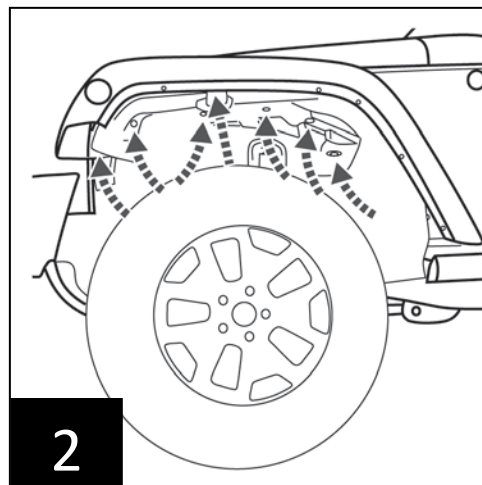
www.mopar.com



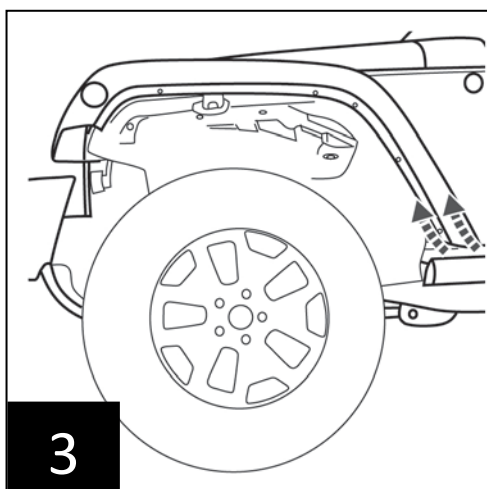
Front Flare Installation



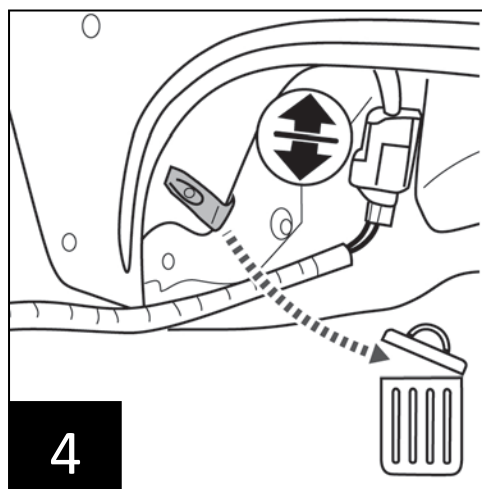
1
If desired, remove Wrangler decal from both sides of vehicle. Use heat gun.



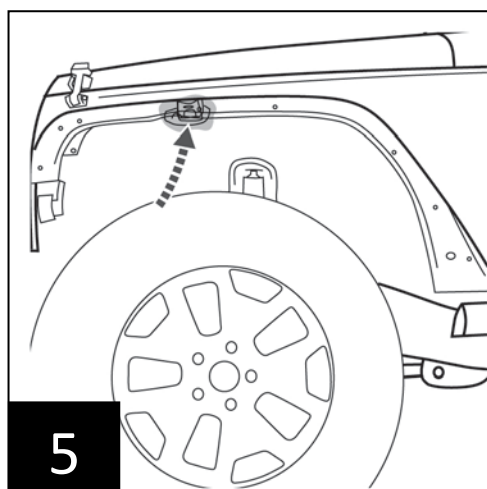
2
Remove and retain 6 factory screws. Remove one retainer from front of flare.



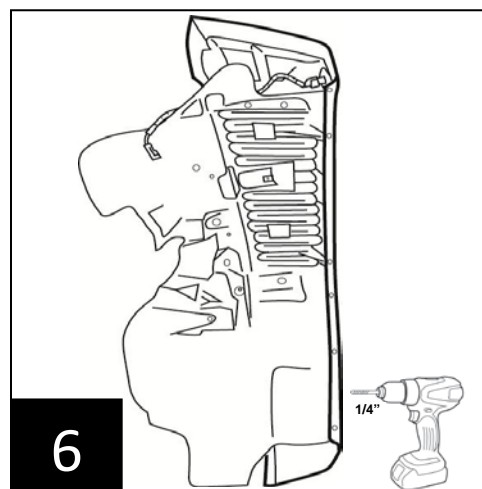
3
Remove flare by pulling out away from vehicle.



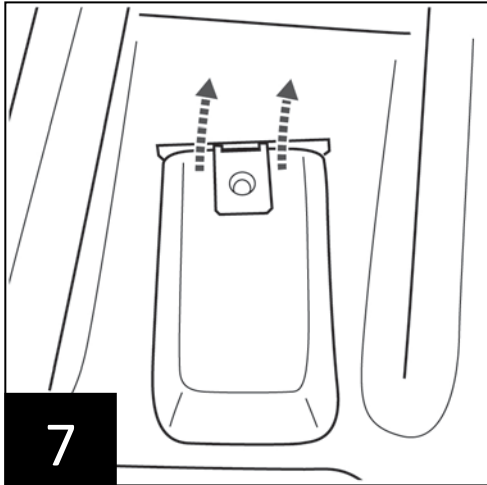
4
Disconnect marker light harness. Remove and discard J clip.



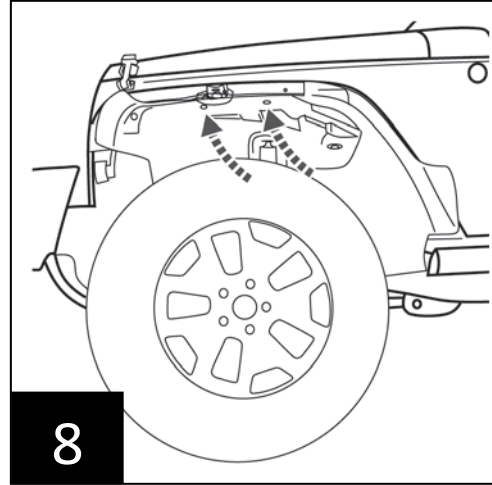
5
Remove any remaining retainers. Paint shaded area black if desired.



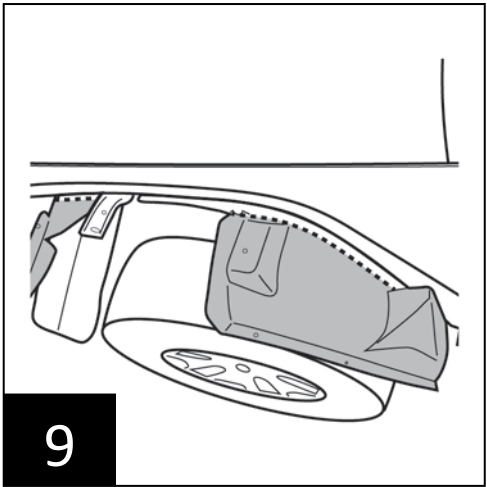
6
Drill rivets, disassemble flare. Retain splash shield, marker light, and wire harness.



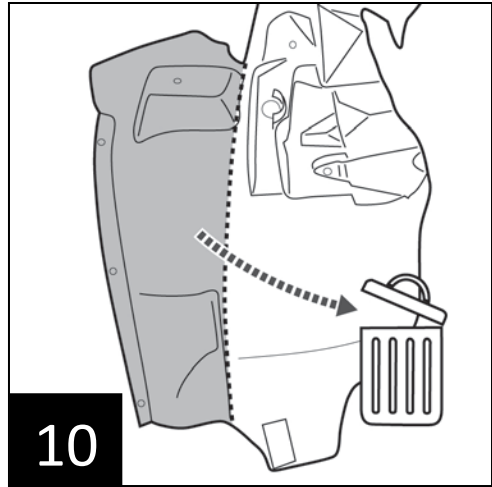
7
Remove and retain clip.



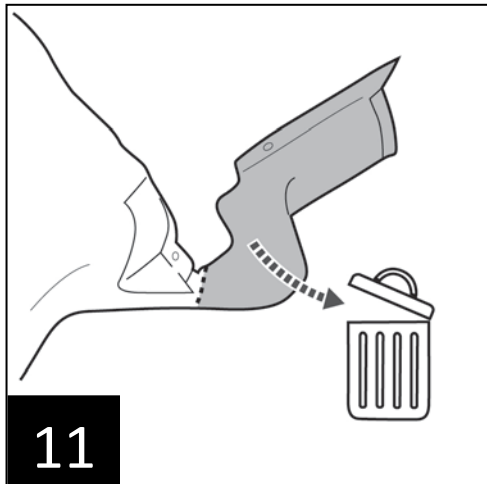
8
Secure splash shield using forward and rearward bolts and washers (E).



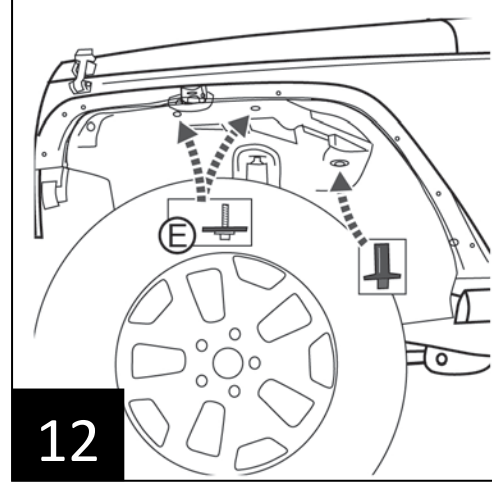
9
Mark line using sheet metal as guide.



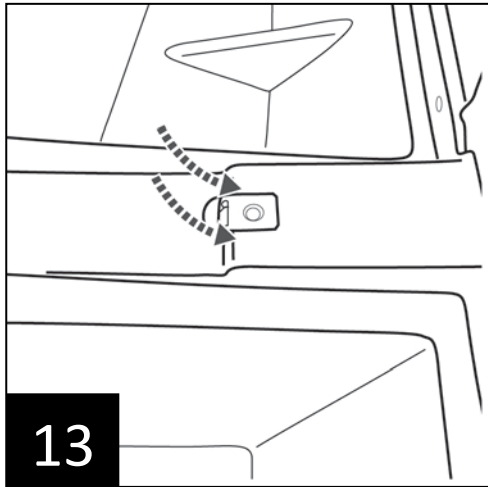
10
Cut along marked line, discard shaded section.



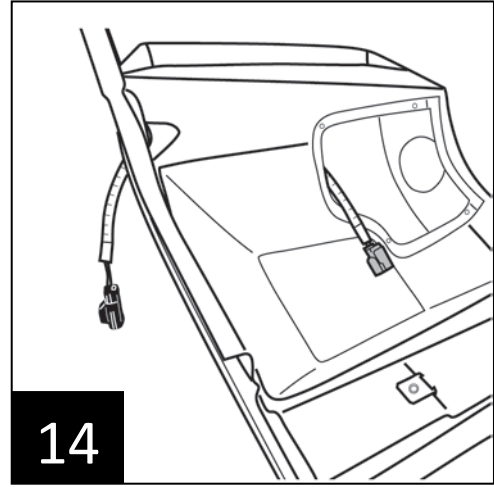
11
Cut along marked line, discard shaded section.



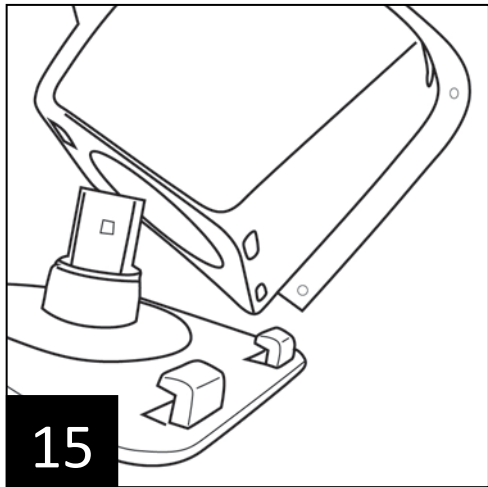
12
Re-install splash shield using 3 factory screws and 2 supplied washers (E). Note: Liner moves freely around barrel bolt.



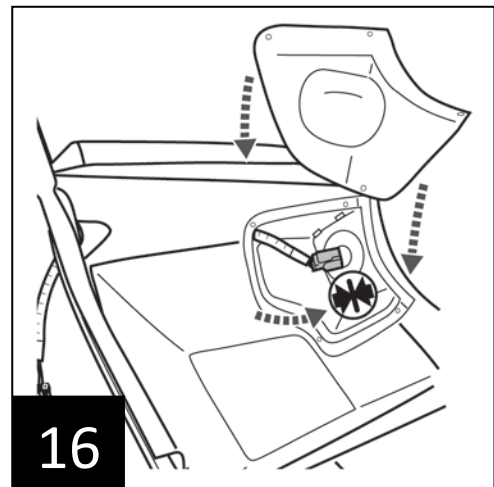
13
Install factory clip.



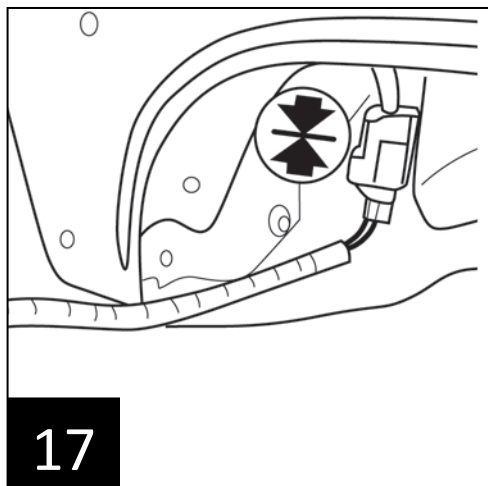
14
Thread marker light harness through flare assembly.



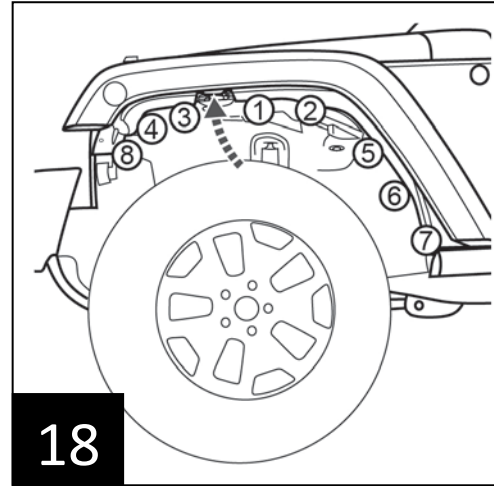
15
Hook marker light into housing (DL), snap into place.



16
Place (DL) into marker light hole, connect marker light harness. Place (CL) over pocket, secure with 4 retainers (F).

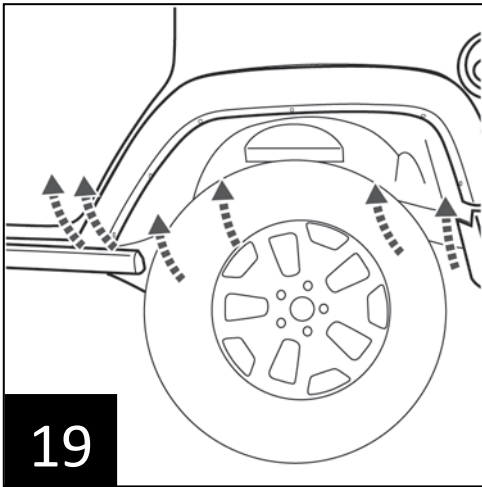


17
Reconnect marker light harness.

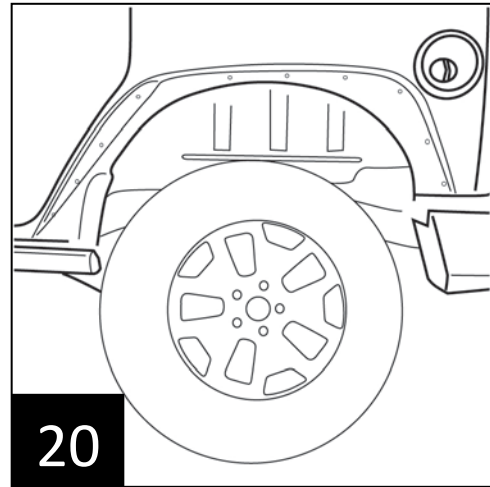


18
Install flare using 8 retainers (G). Reinstall factory bolt.

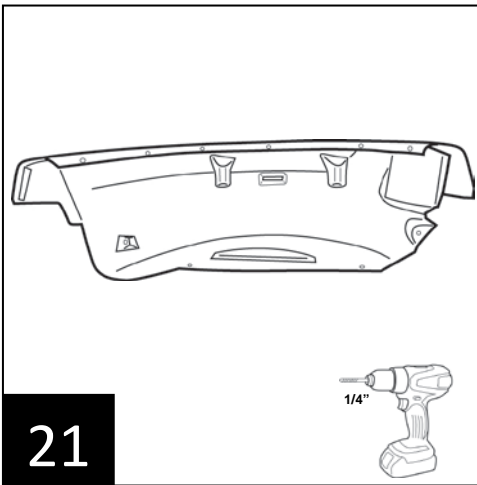
Rear Flare Installation



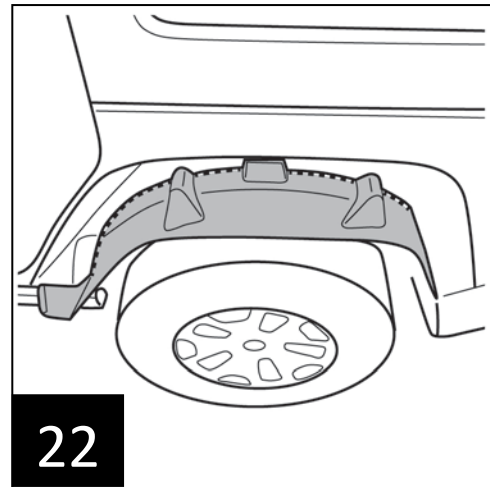
Remove 4 retainers from splash shield. Remove flare by pulling out away from vehicle.



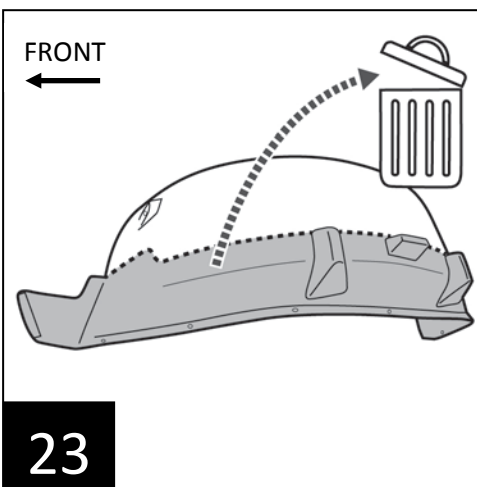
Remove any remaining factory retainers.



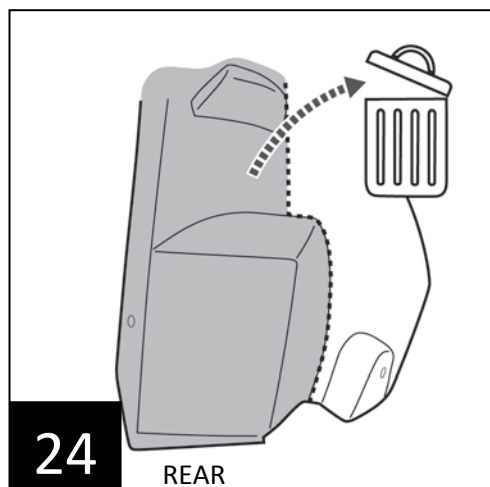
Drill rivets, disassemble flare. Retain splash shield.



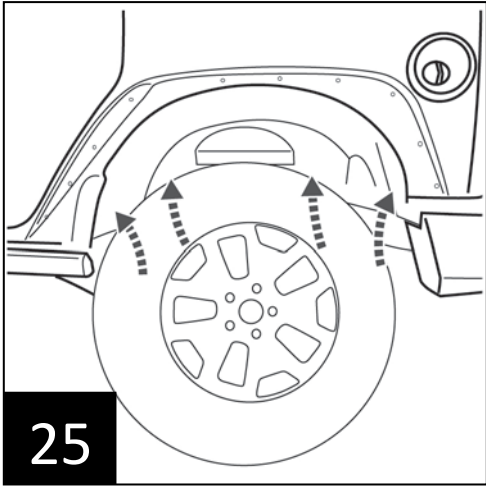
Secure splash shield using factory retainers. Mark line using sheet metal as guide.



Starting at front, cut along marked line, stop mid way. See step 24.

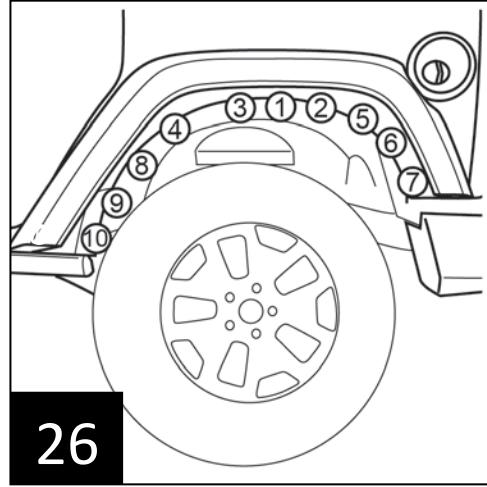


Continue cut along marked line, follow molded feature in splash shield along dashed line. Discard shaded portion.



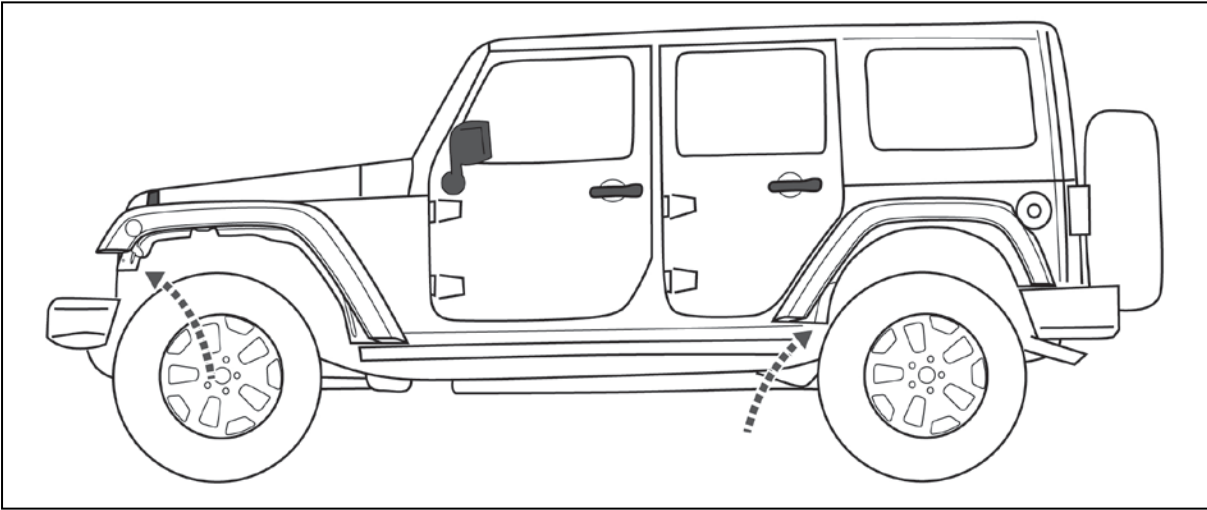
25

Re-install splash shield using 4 retainers (J).



26

Install flare using 10 retainers (G).



Depending on lift and tire combination, some trimming may be required.