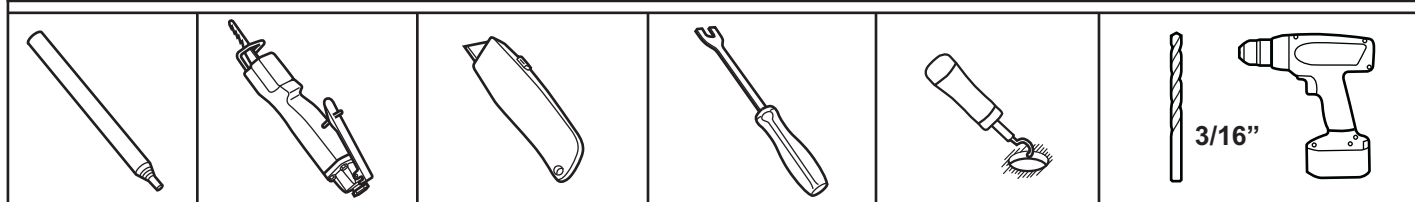
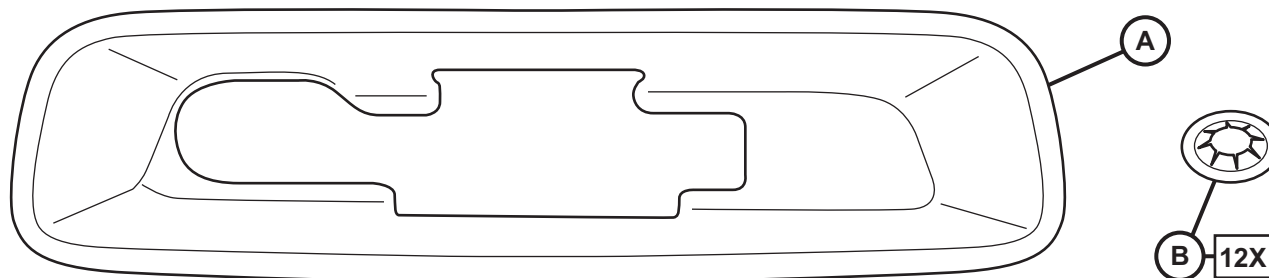


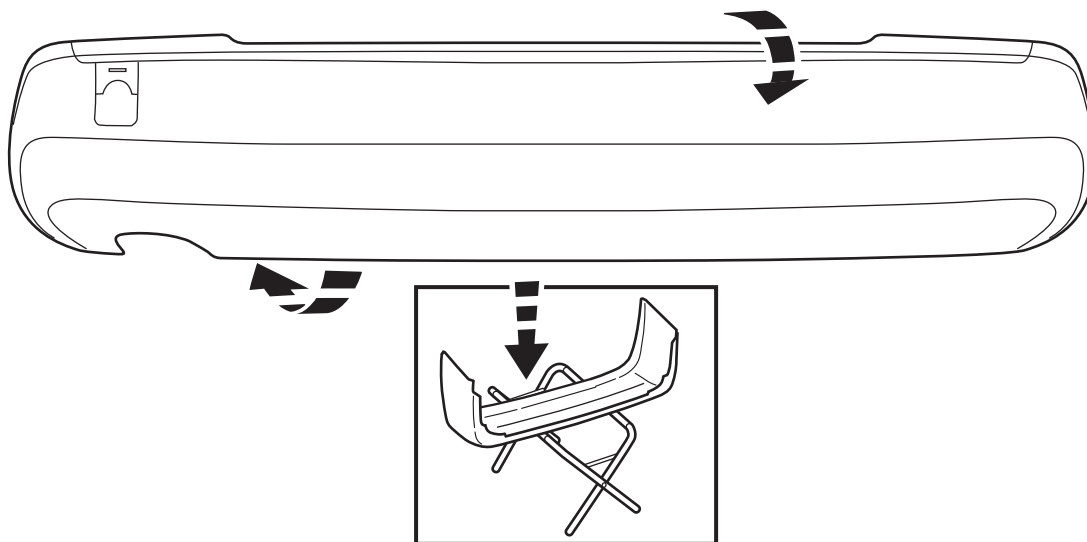


TRAILER HITCH BEZEL JEEP CHEROKEE

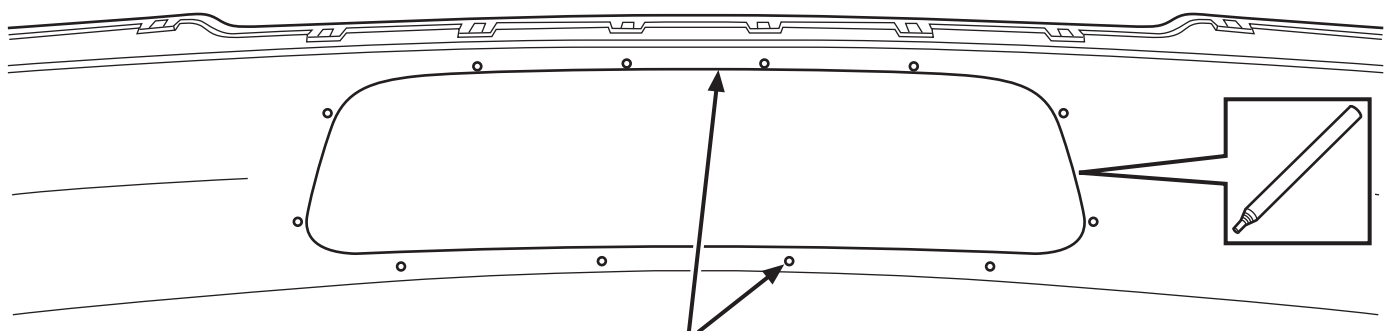
www.mopar.com



FOLLOW THESE STEPS AFTER REMOVING FASCIA AS SHOWN IN HITCH RECEIVER I-SHEET K6861570AB
Suivez ces étapes après le retrait du carénage arrière comme indiqué dans le document récepteur d'attelage K6861570AB
Siga estos pasos después de la eliminación de la fascia trasera como se muestra en el documento K6861570AB receptor de enganche



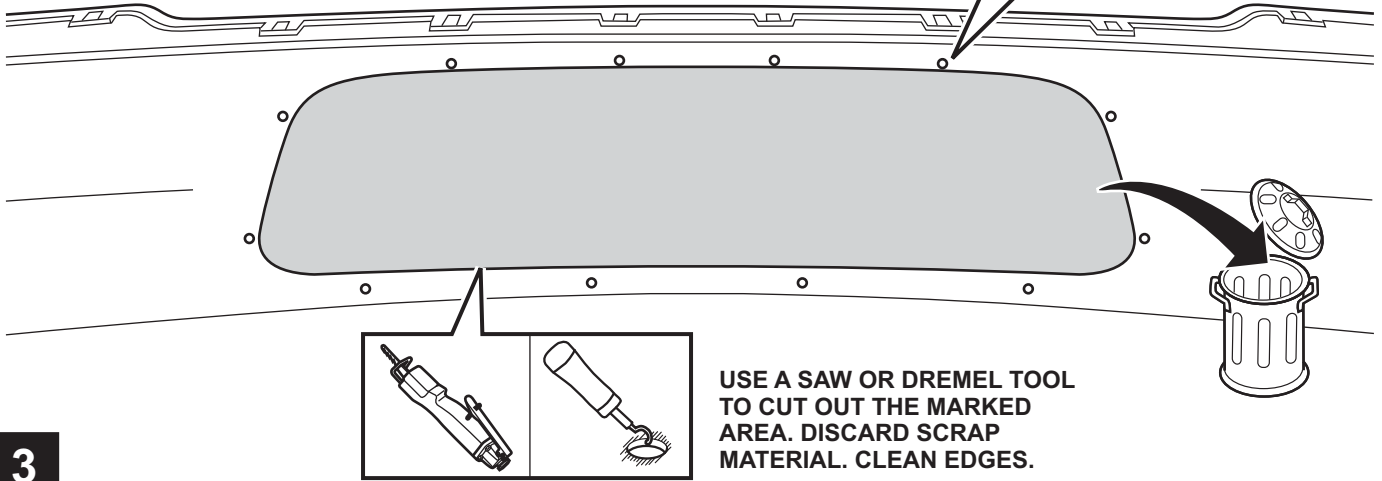
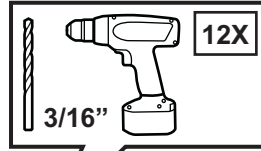
1



LOCATE SCRIBE MARKS INSIDE FASCIA

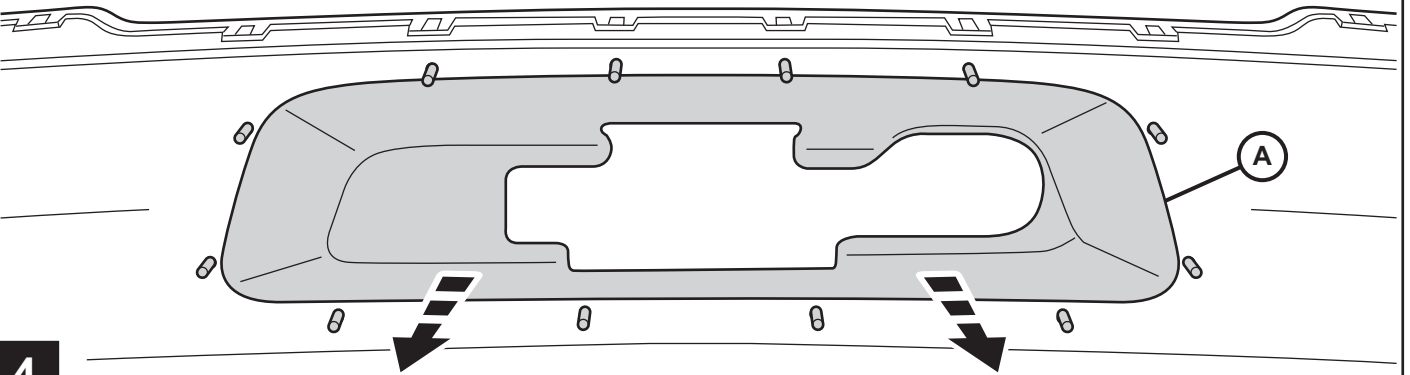
2

DRILL 3/16" HOLES AT ALL TWELVE (12) CIRCLE LOCATIONS.
NOTE: HOLES CAN BE ENLARGED TO 1/4" IF NECESSARY.



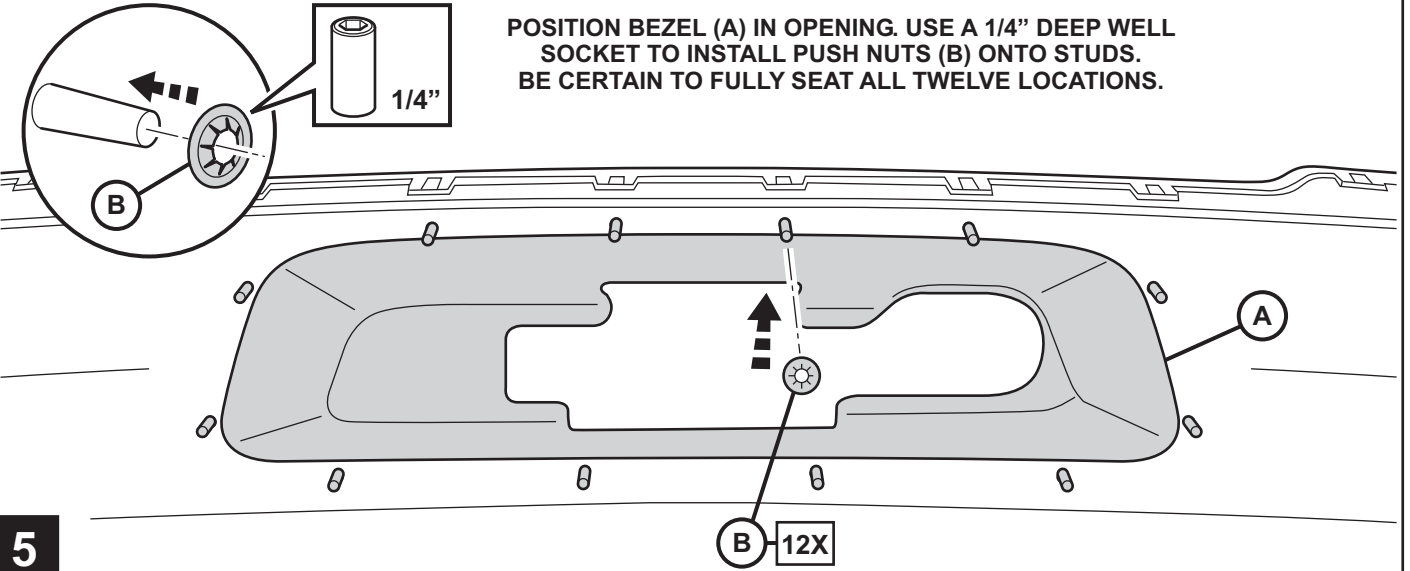
3

USE A SAW OR DREMEL TOOL TO CUT OUT THE MARKED AREA. DISCARD SCRAP MATERIAL. CLEAN EDGES.



4

POSITION BEZEL (A) IN OPENING. USE A 1/4" DEEP WELL SOCKET TO INSTALL PUSH NUTS (B) ONTO STUDS. BE CERTAIN TO FULLY SEAT ALL TWELVE LOCATIONS.



5

REINSTALL FASCIA ACCORDING TO STEPS SHOWN IN HITCH RECEIVER I-SHEET K6861570AB

6