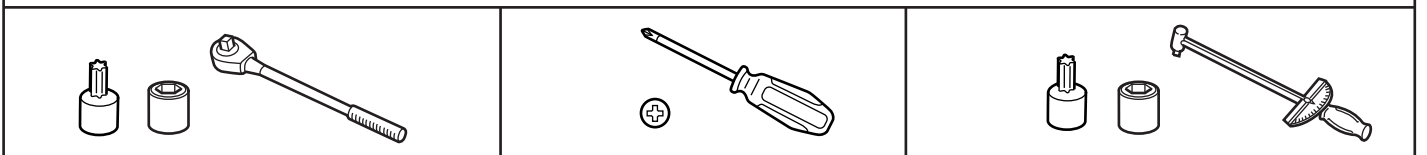
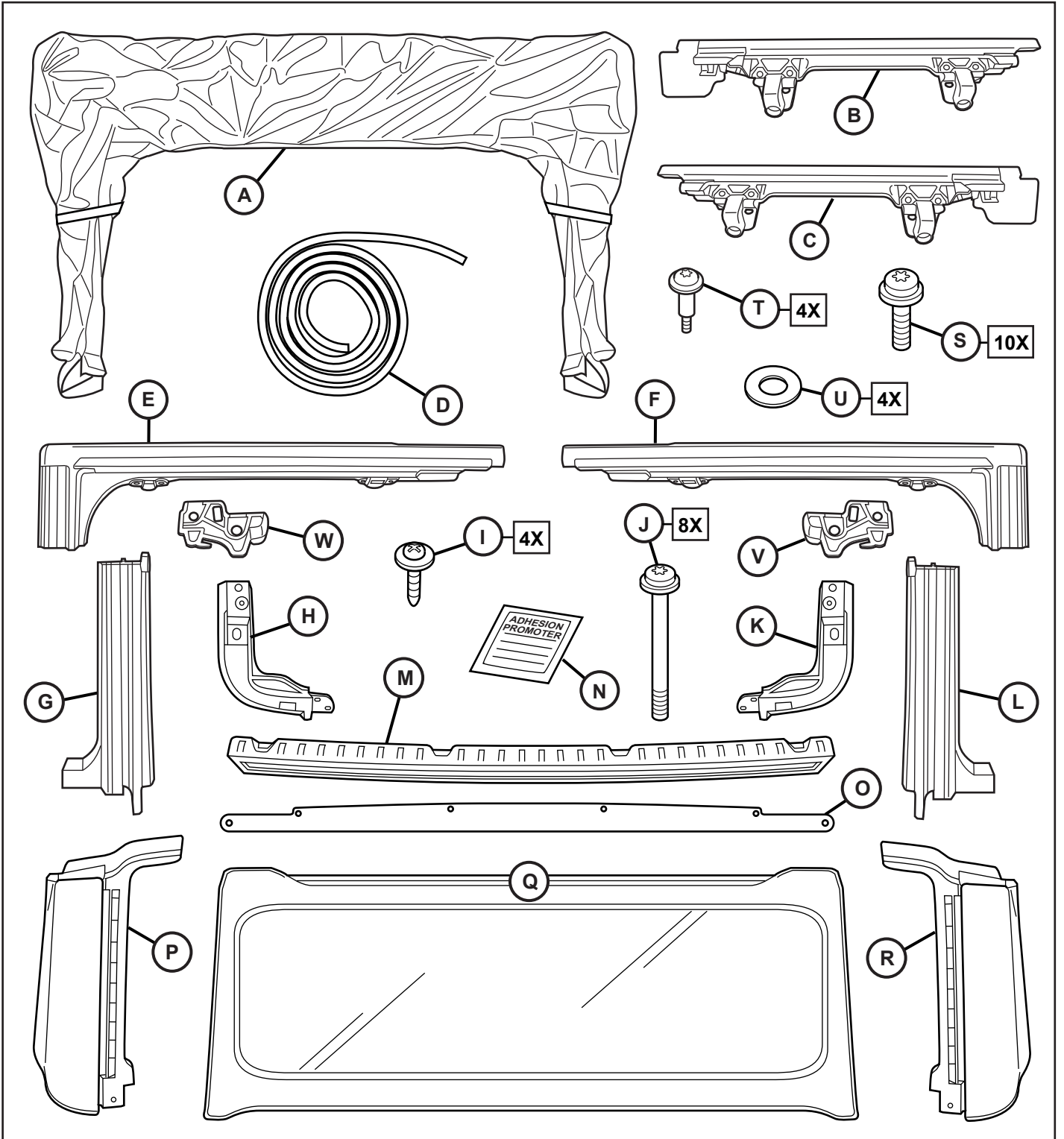
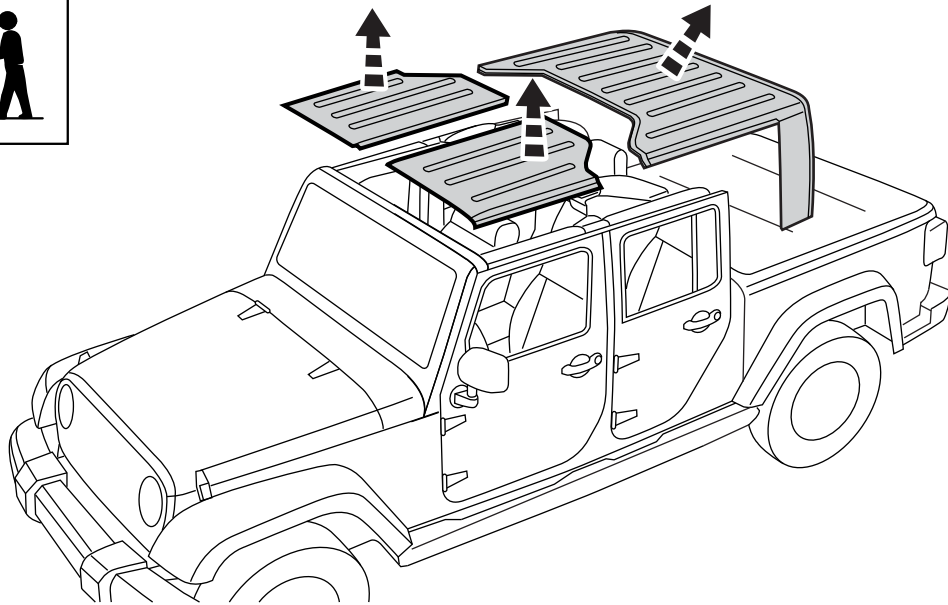
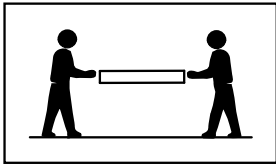




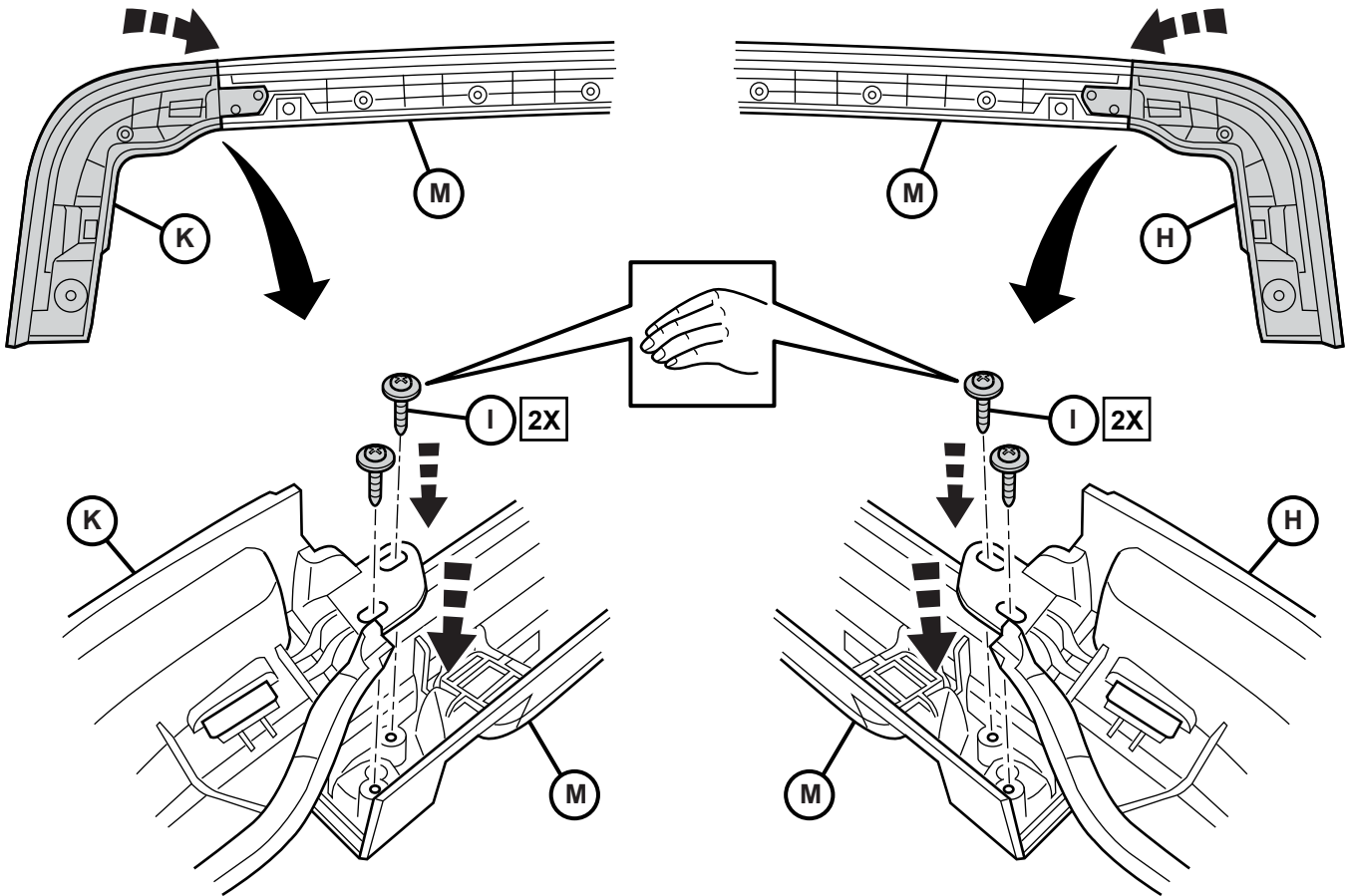
SOFT TOP JEEP GLADIATOR

www.mopar.com

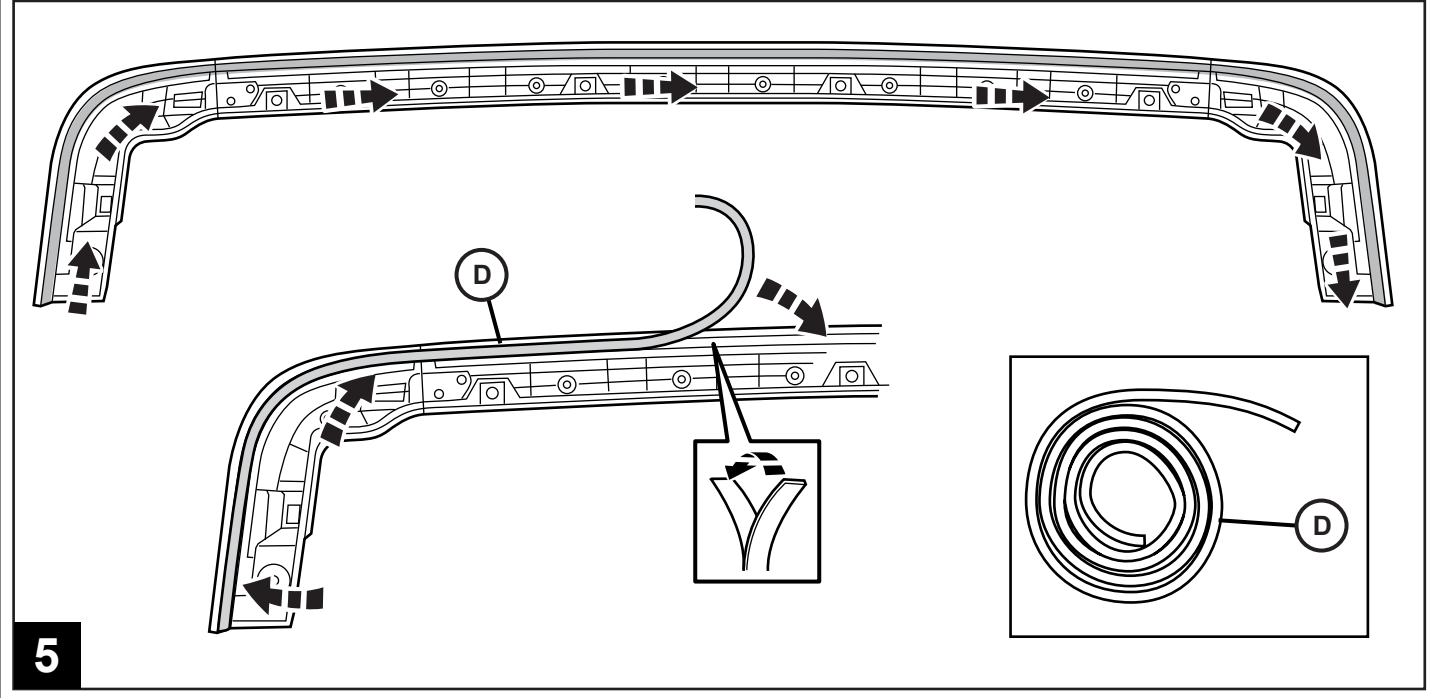
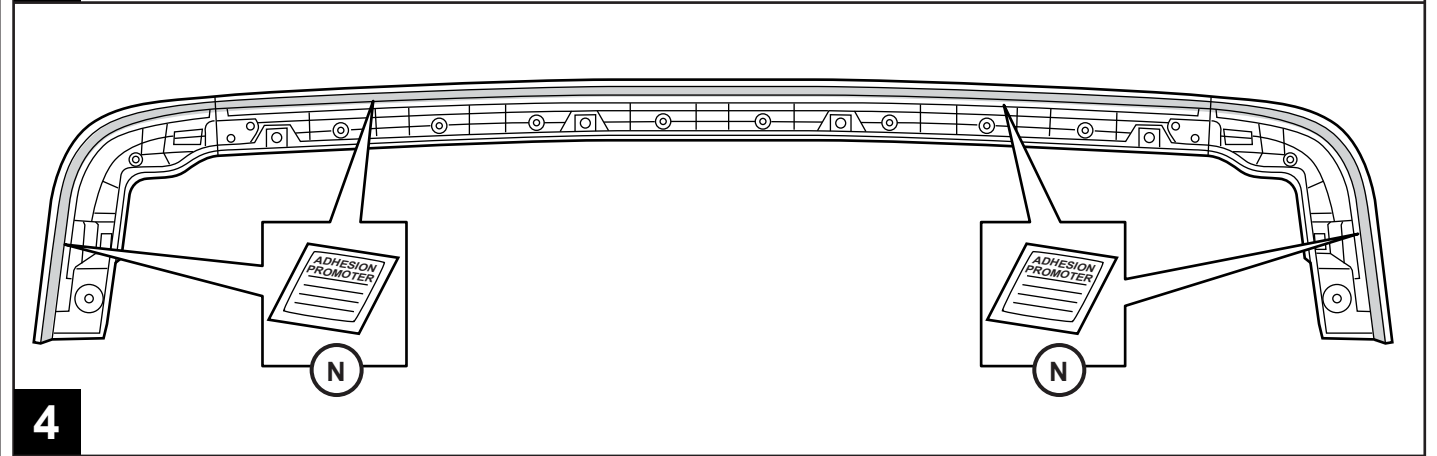
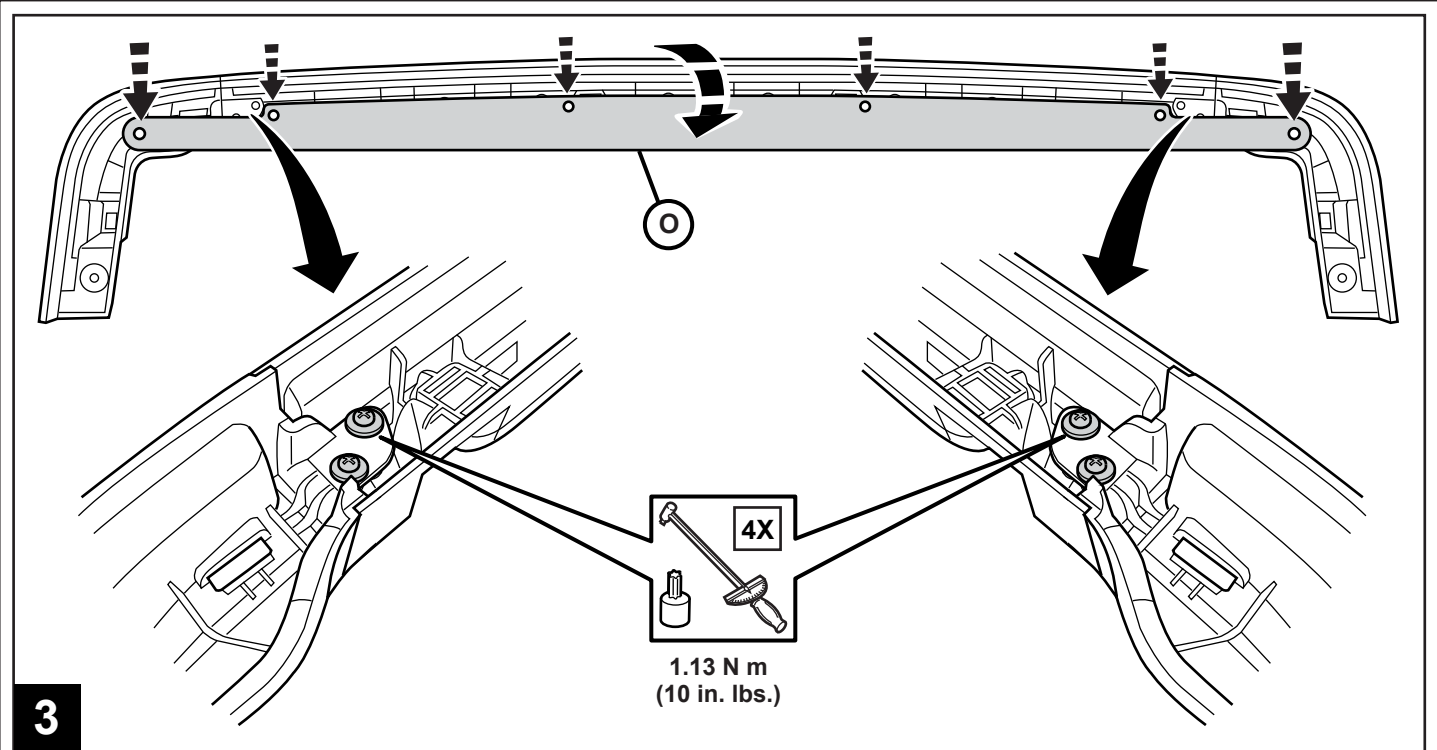


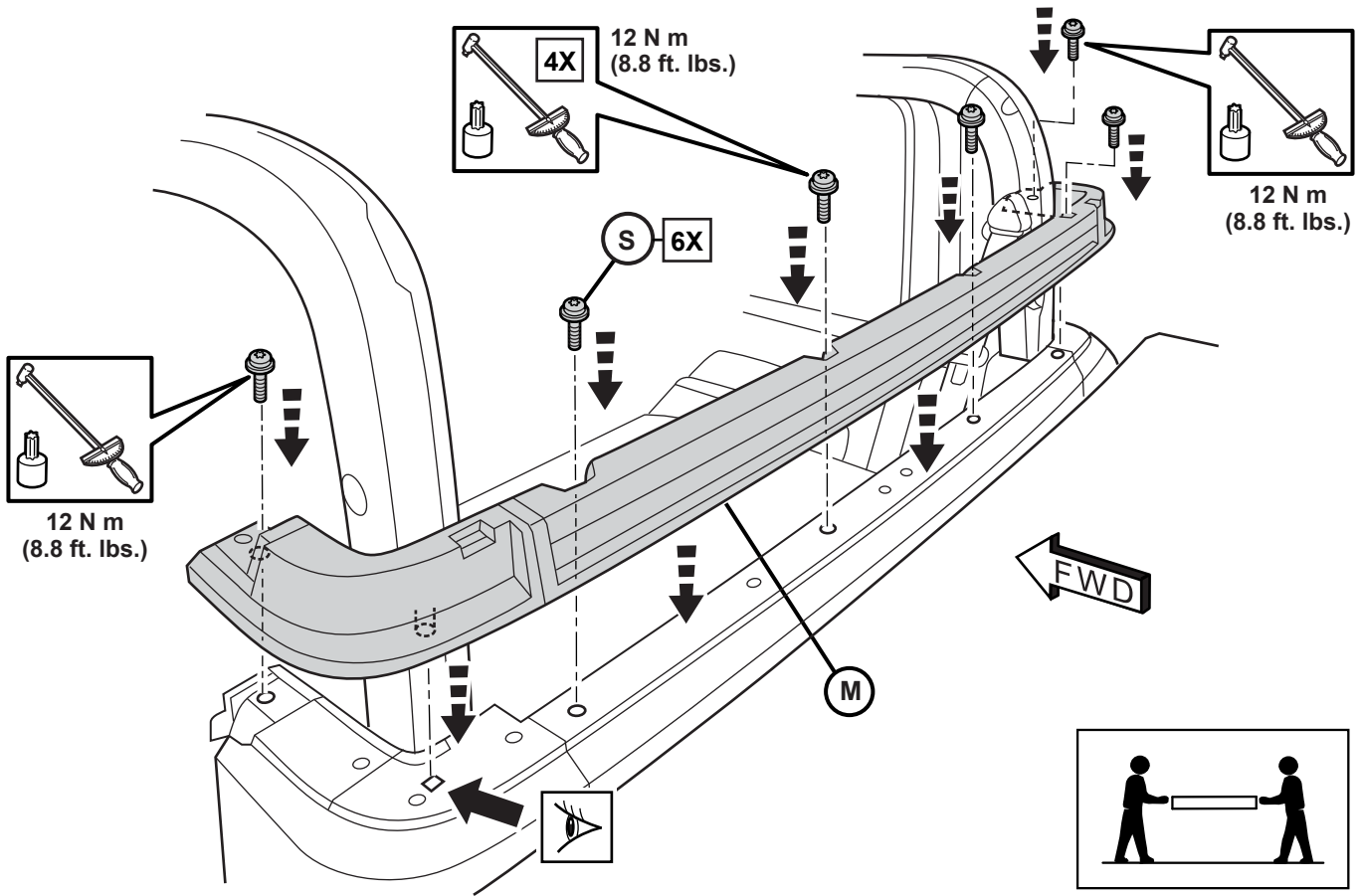


1

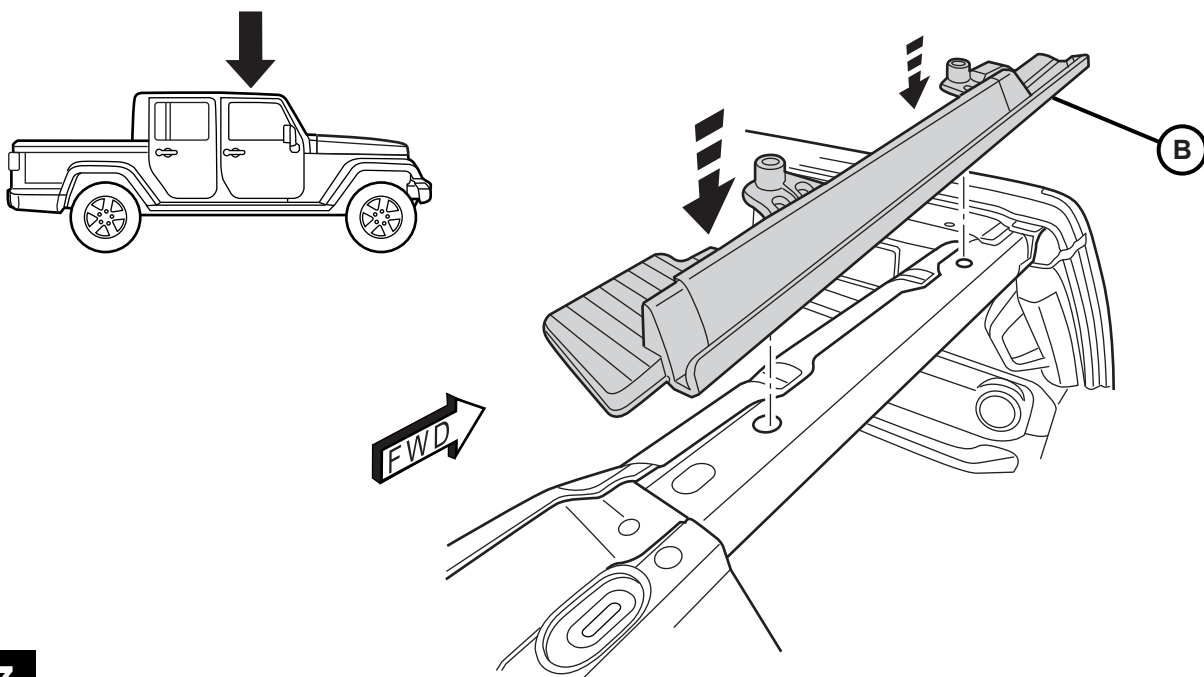


2

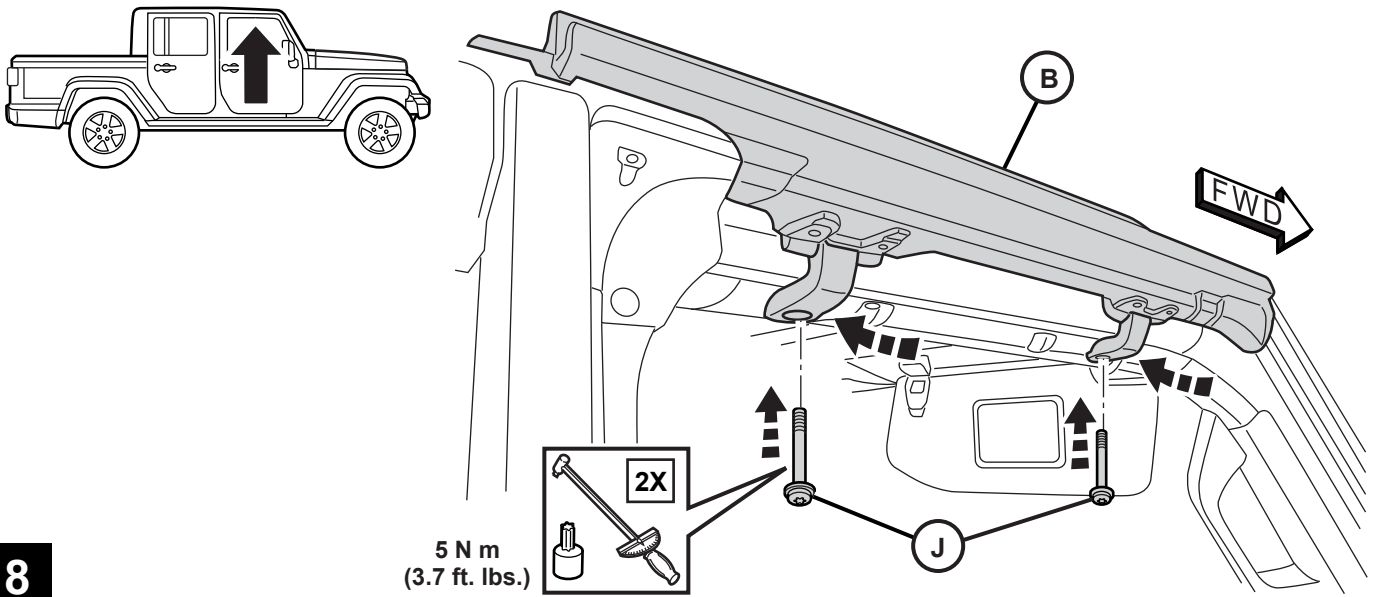




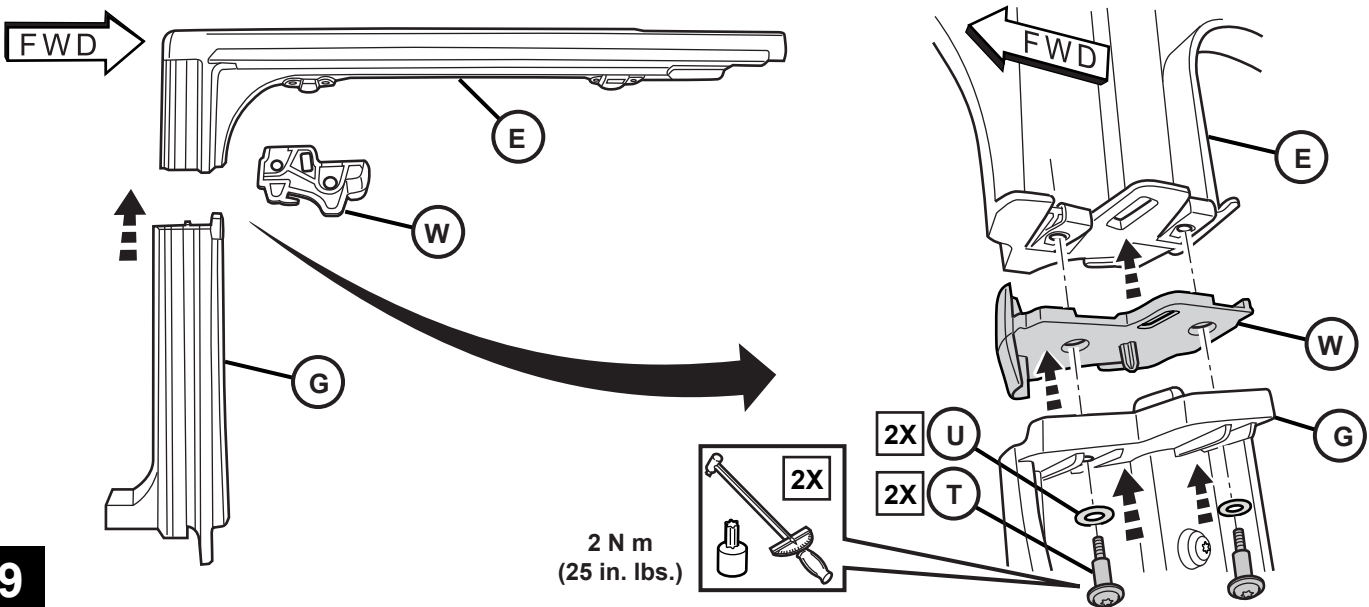
6



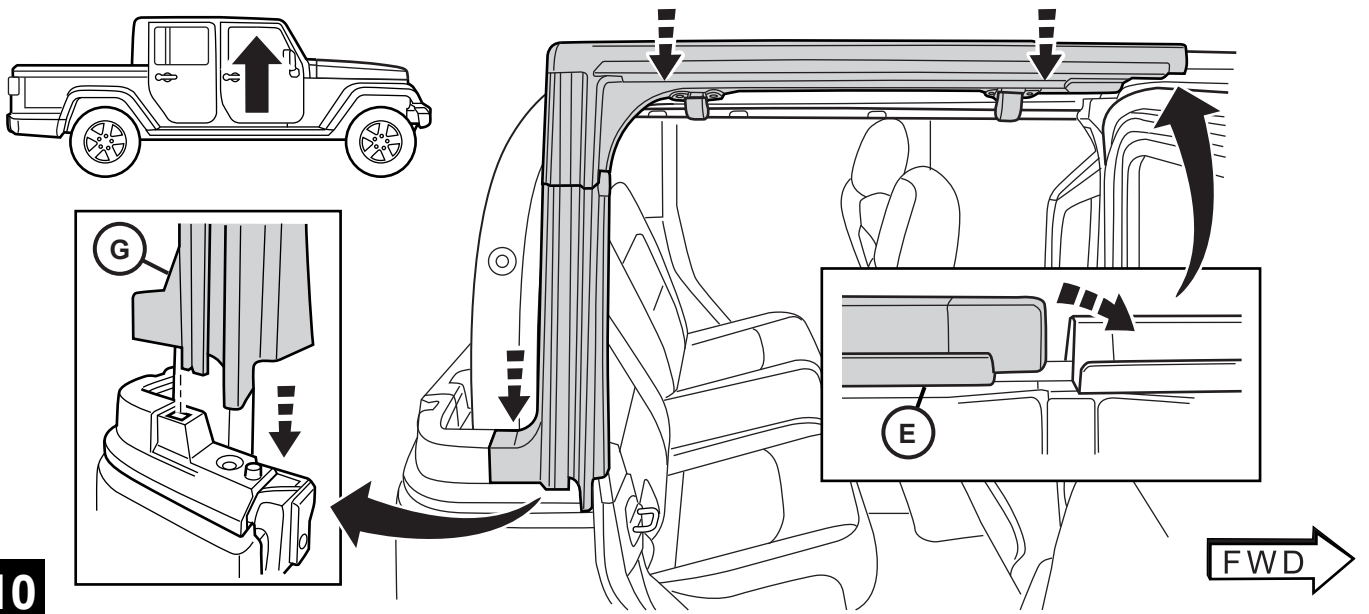
7



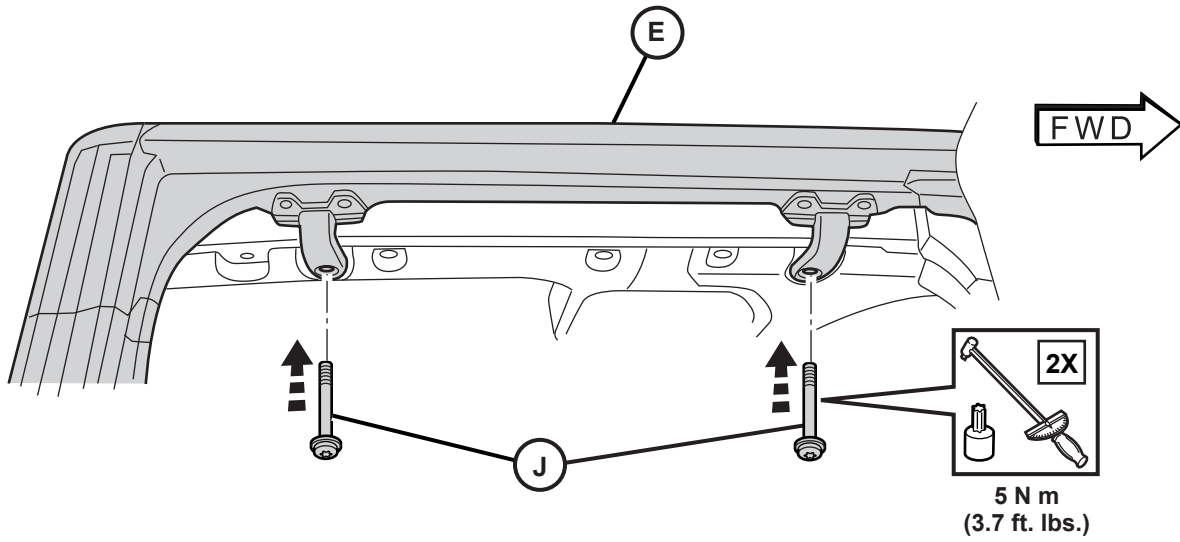
8



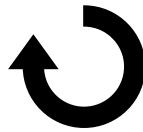
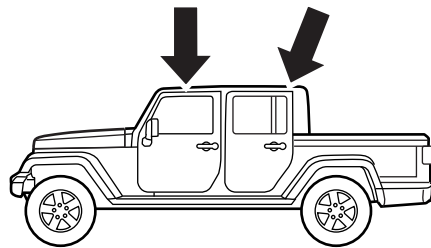
9



10



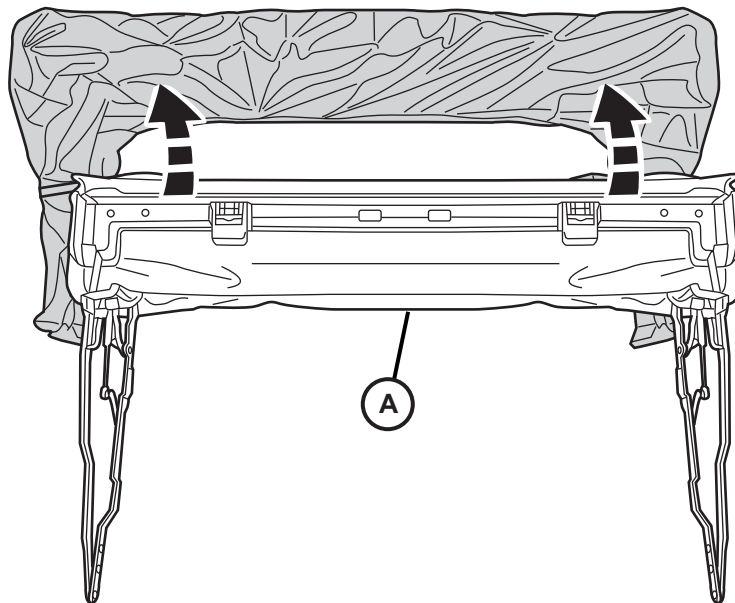
11



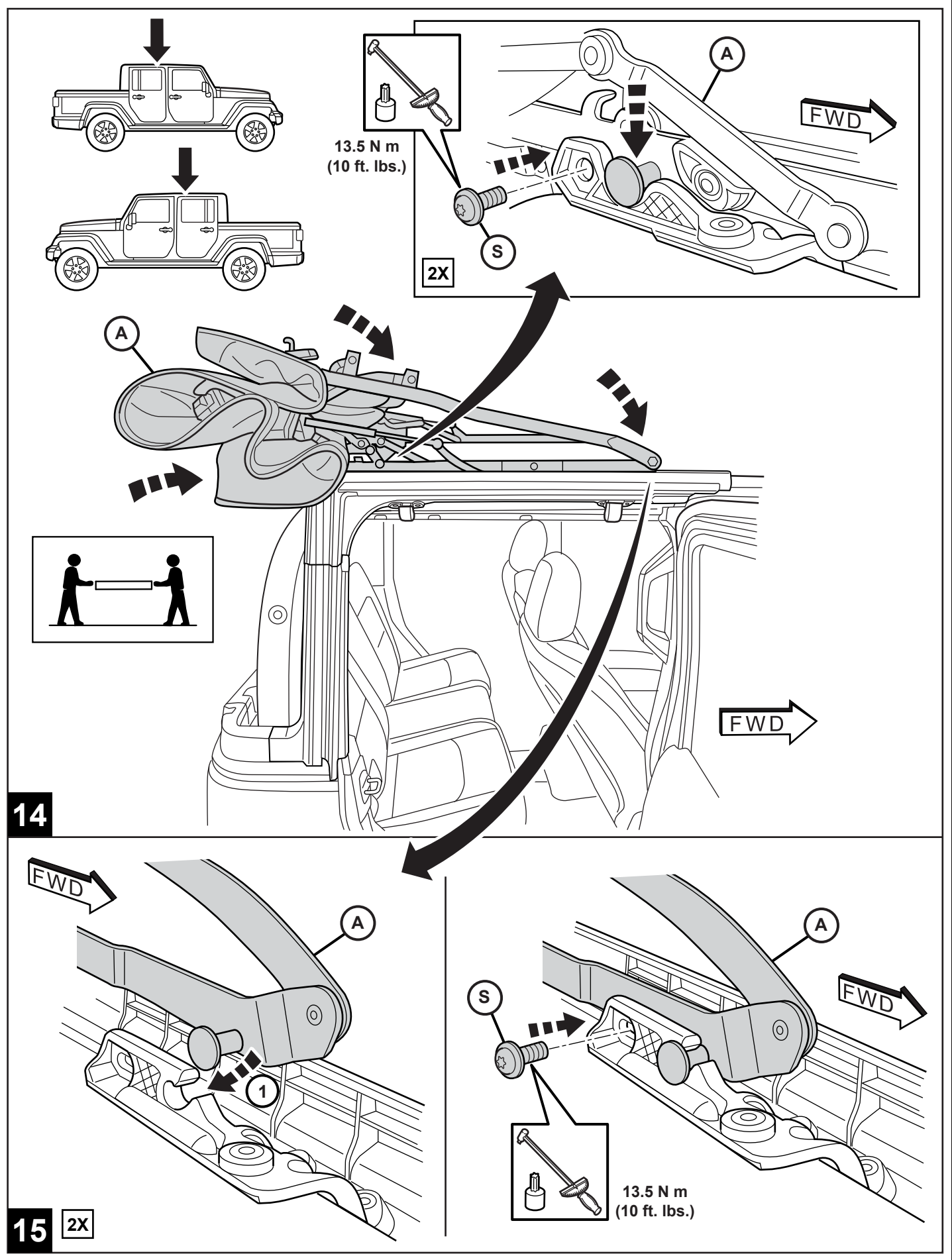
7 → **11**

(C) (F) (L) (V)

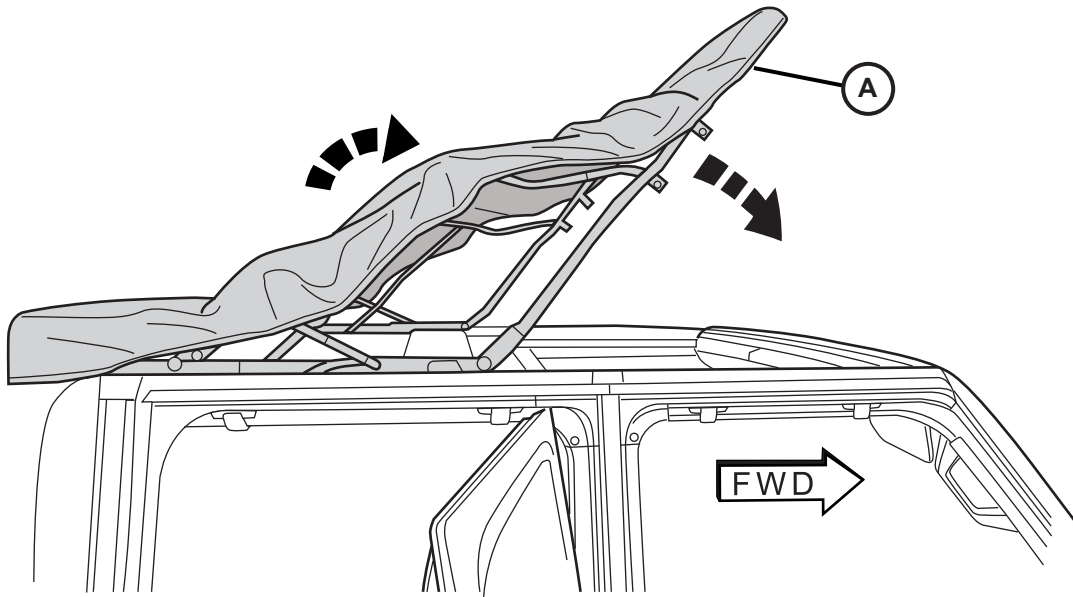
12



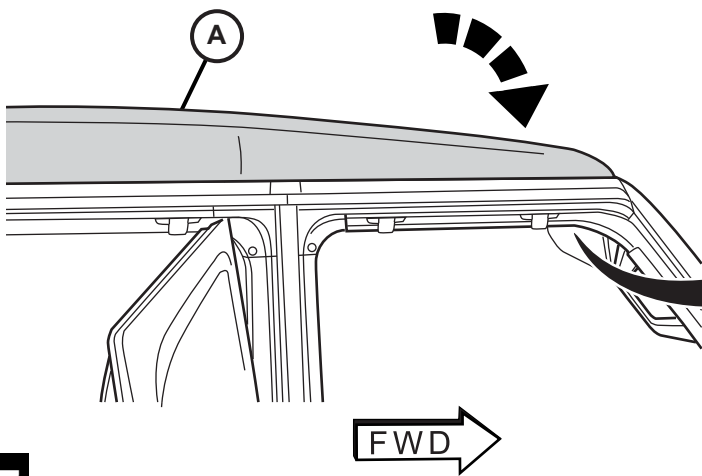
13



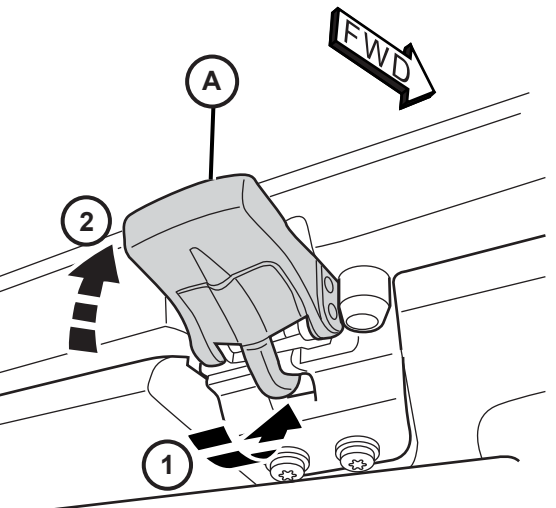
16



17

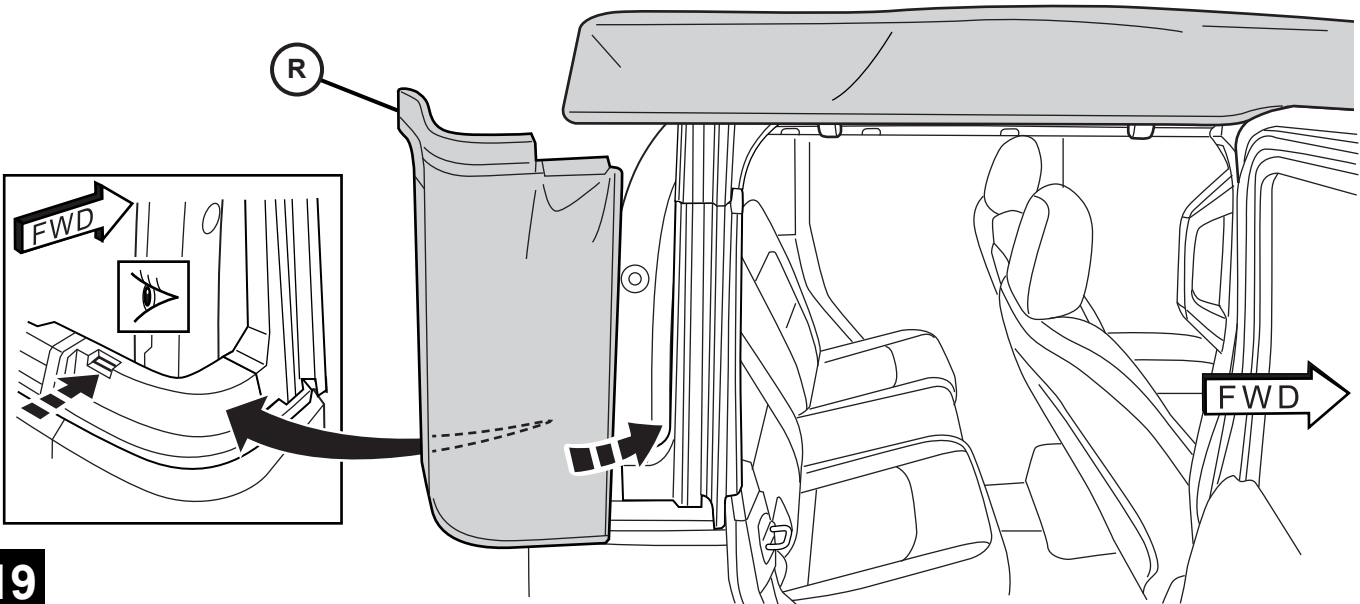


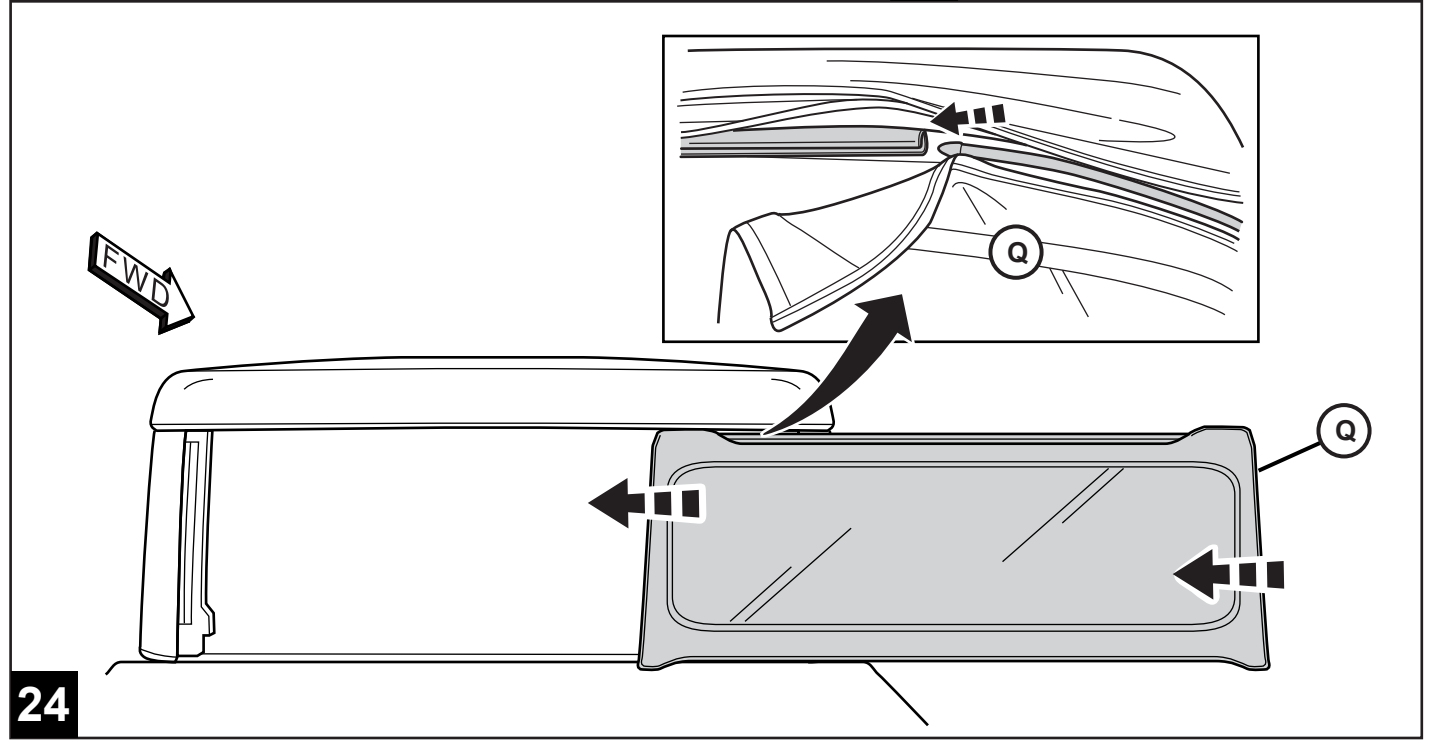
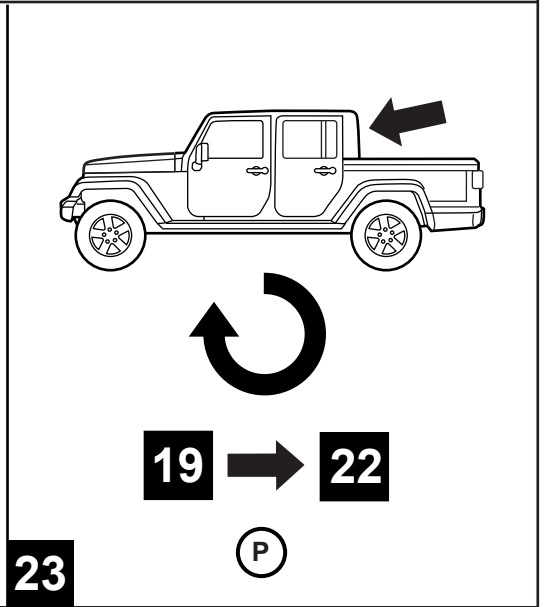
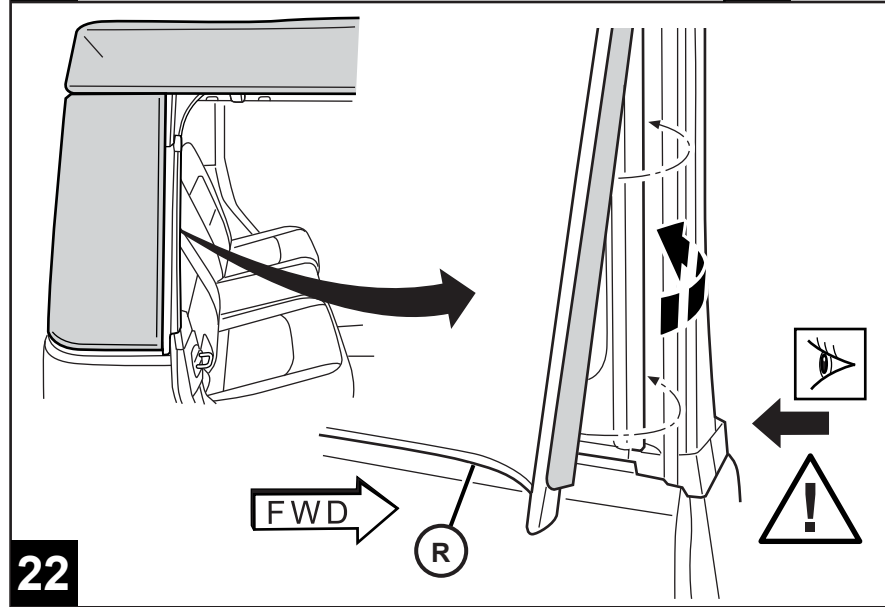
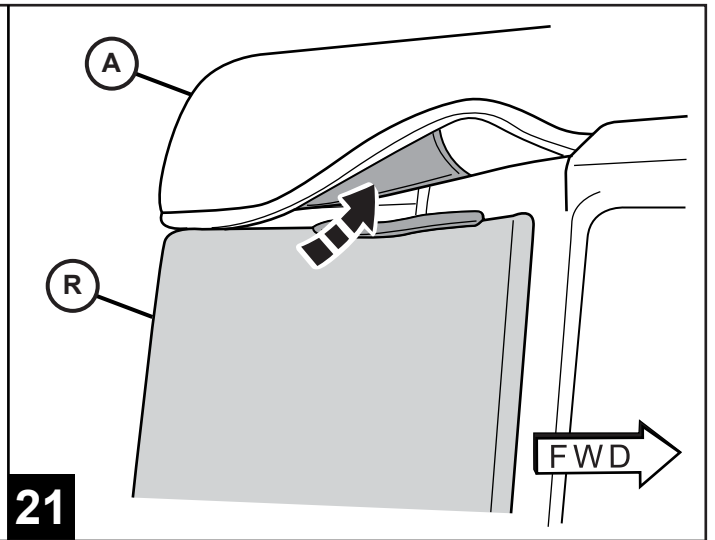
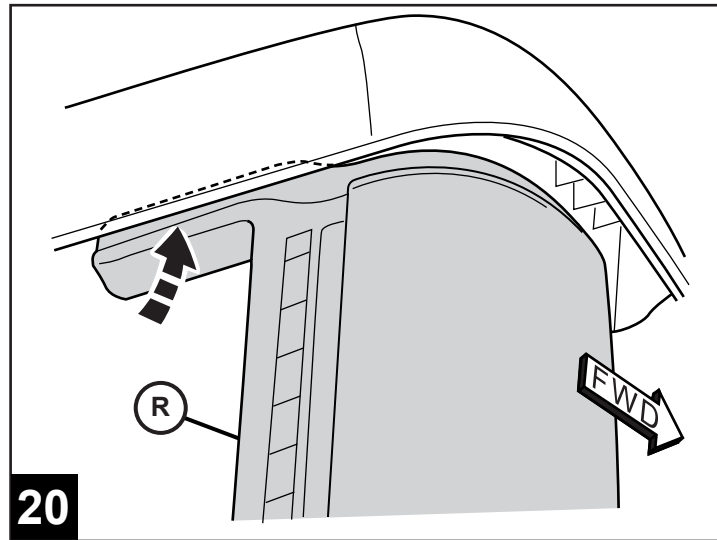
18

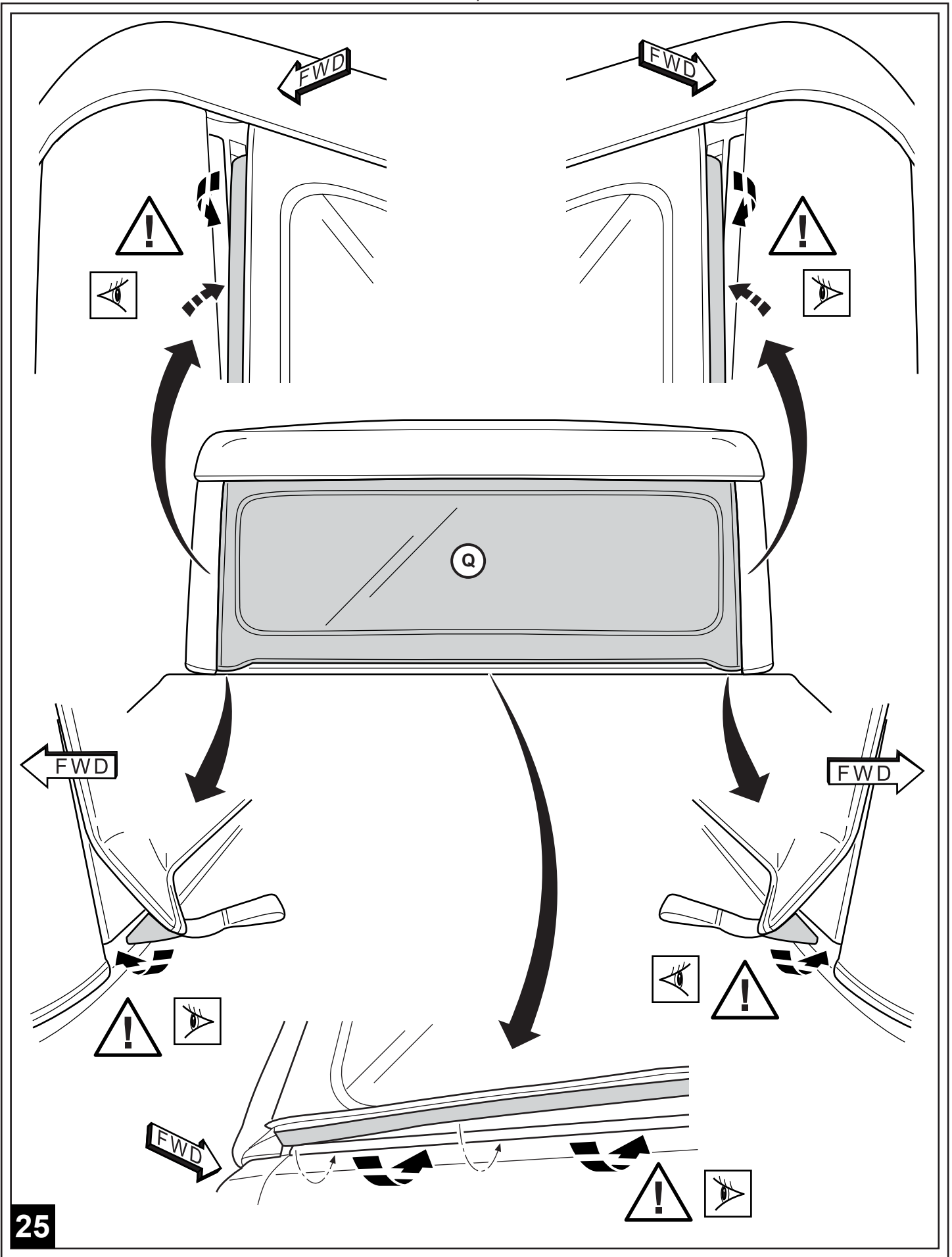


2X

19







25