

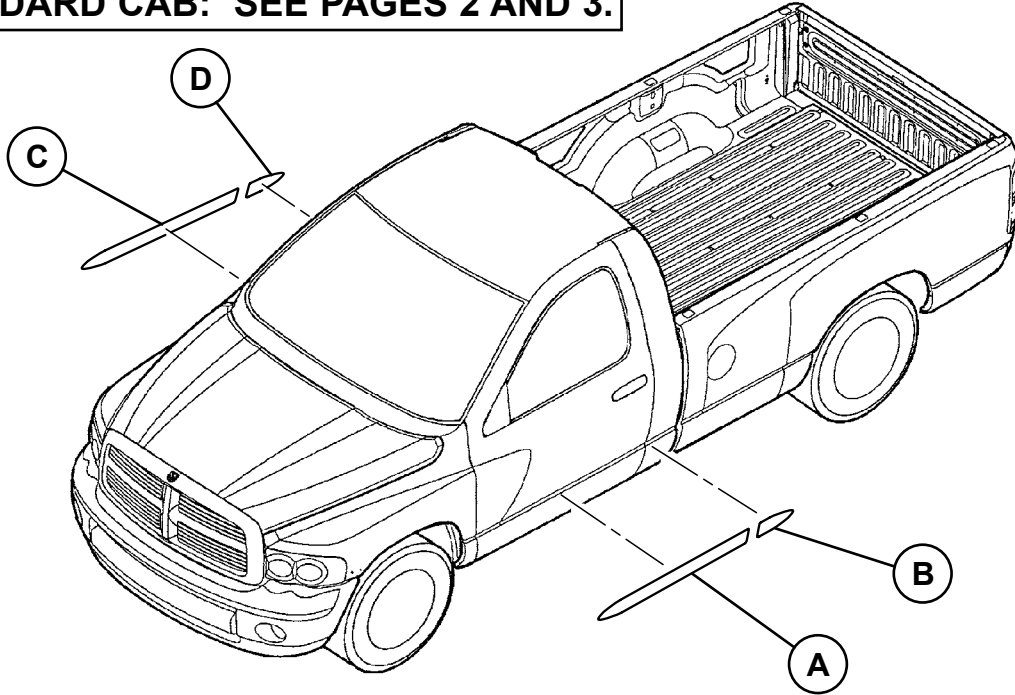


MOPAR®

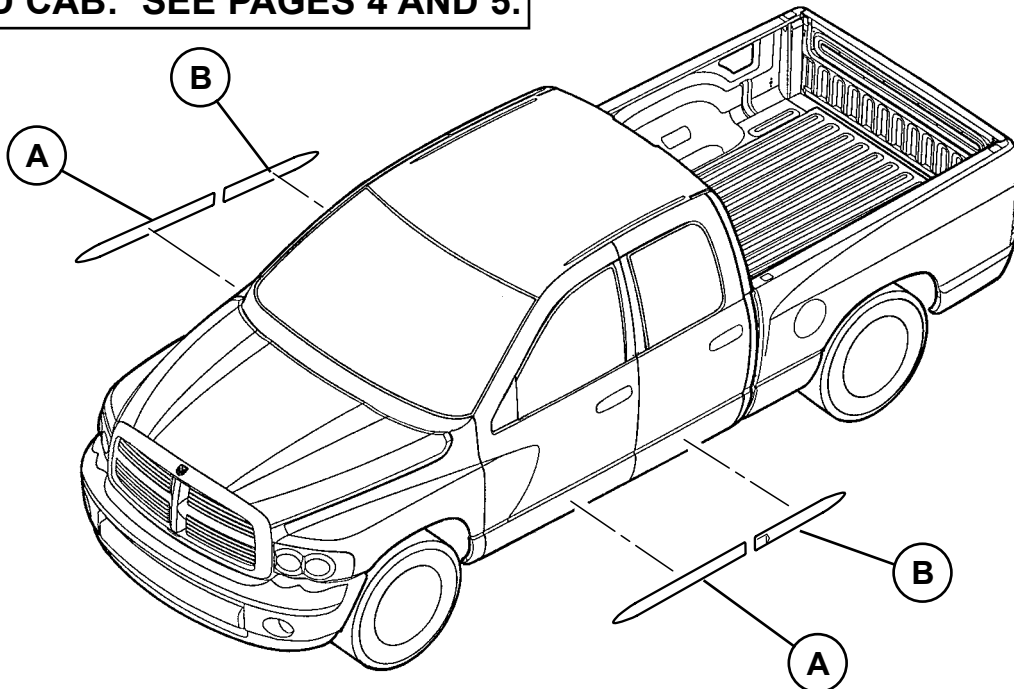
# DODGE RAM TRUCK

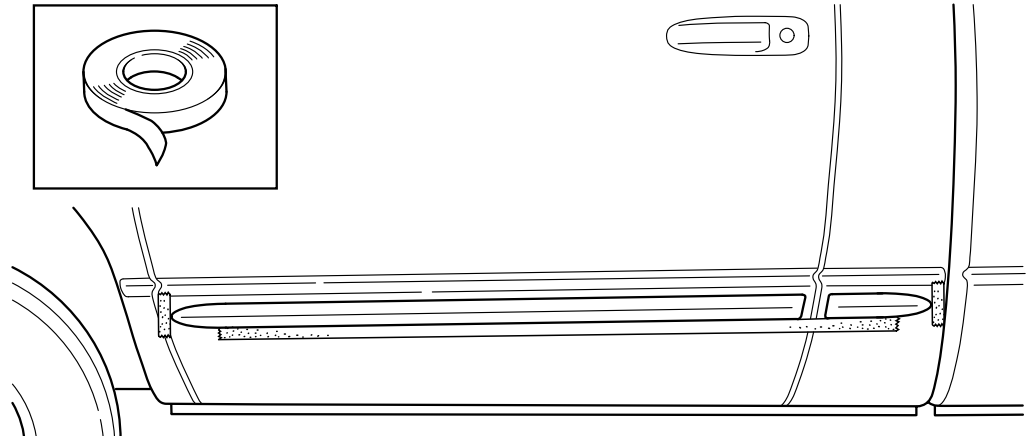
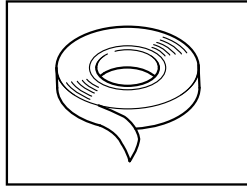
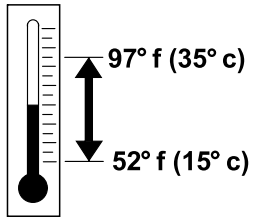
## Chrome Door Mouldings

**STANDARD CAB: SEE PAGES 2 AND 3.**



**QUAD CAB: SEE PAGES 4 AND 5.**

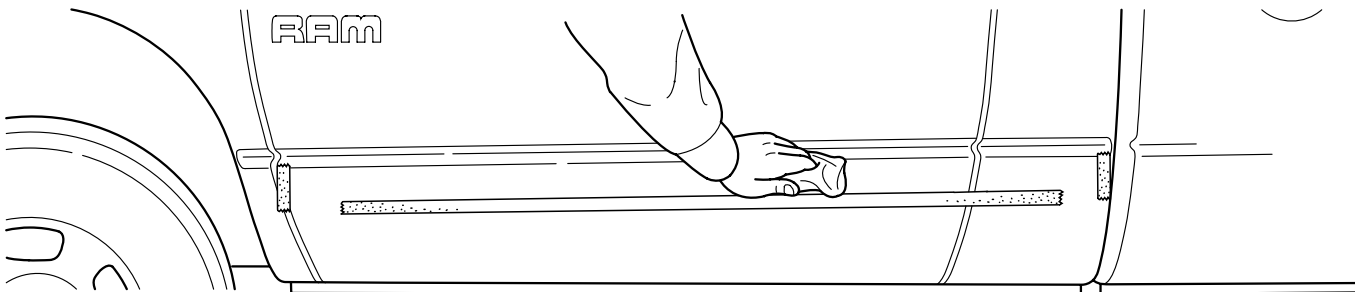
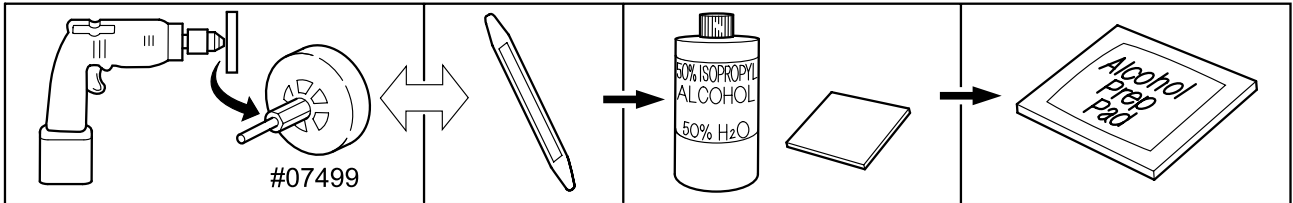




**1**

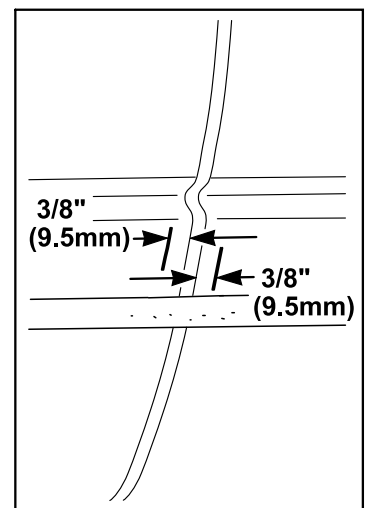
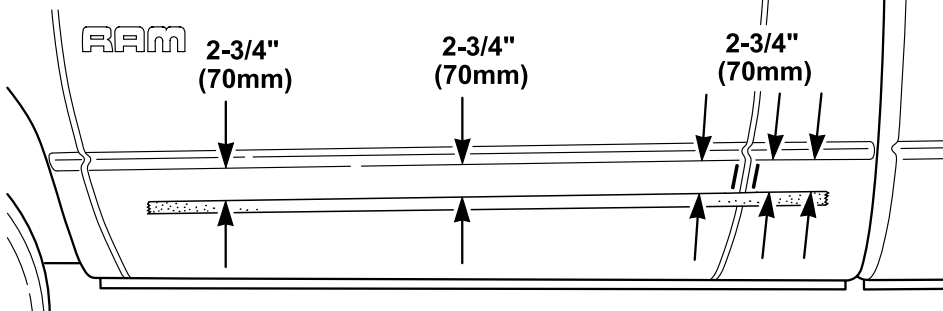
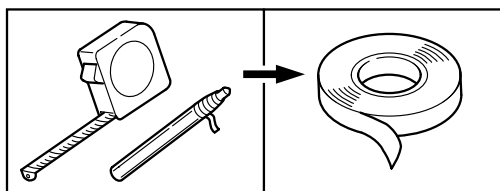
**2**

IF VEHICLE HAS FACTORY INSTALLED MOULDINGS, APPLY MASKING TAPE AS SHOWN.



**3**

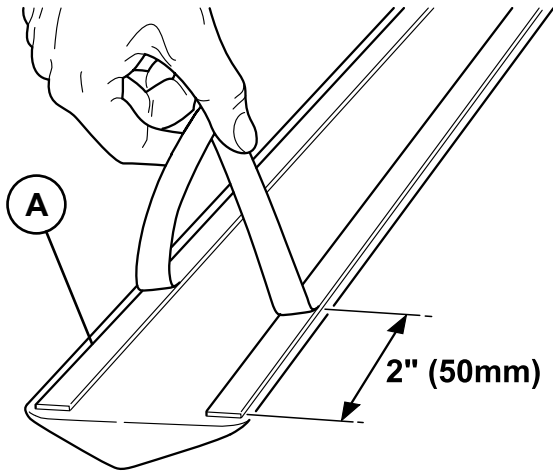
REMOVE EXISTING MOULDINGS AND ADHESIVE RESIDUE.



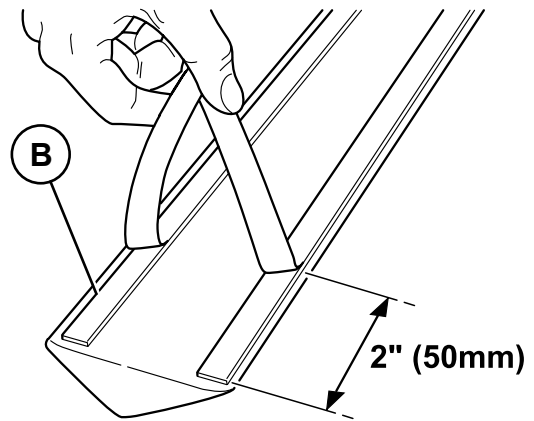
**4**

IF VEHICLE HAS NO MOULDINGS, MEASURE AS SHOWN AND APPLY MASKING TAPE.

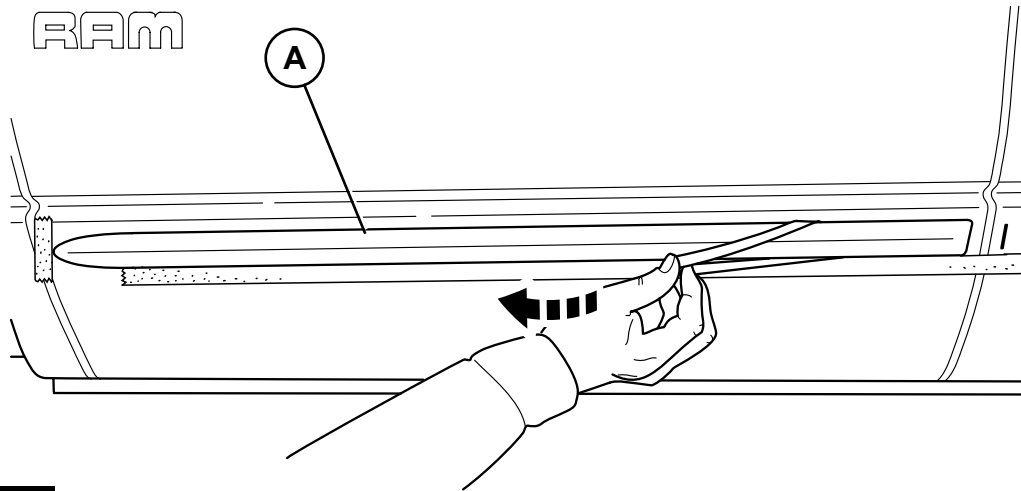
# STANDARD CAB



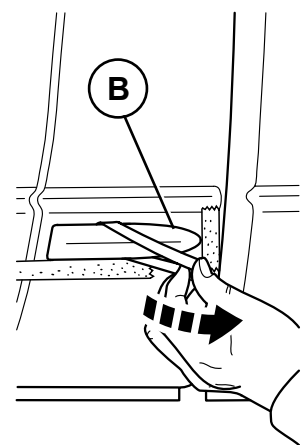
5



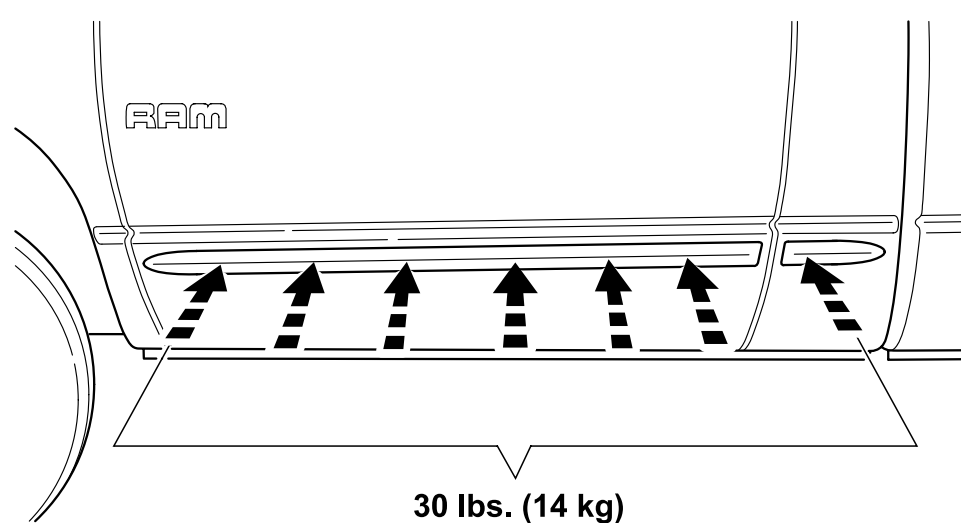
6



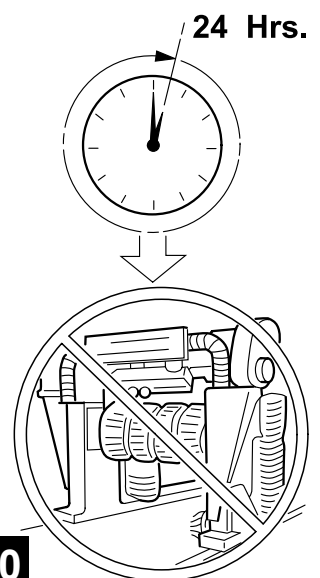
7



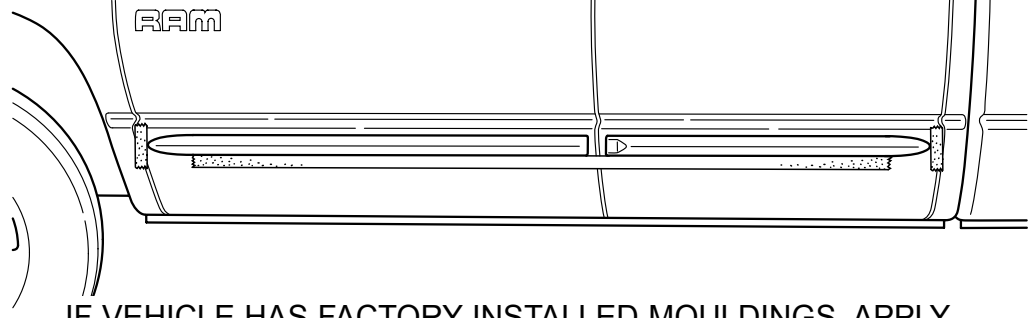
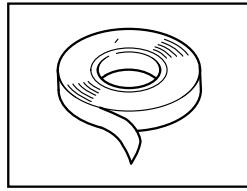
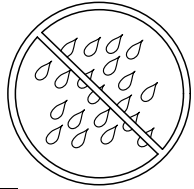
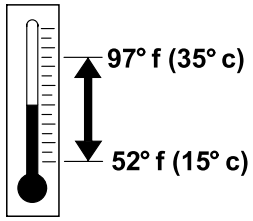
8



9

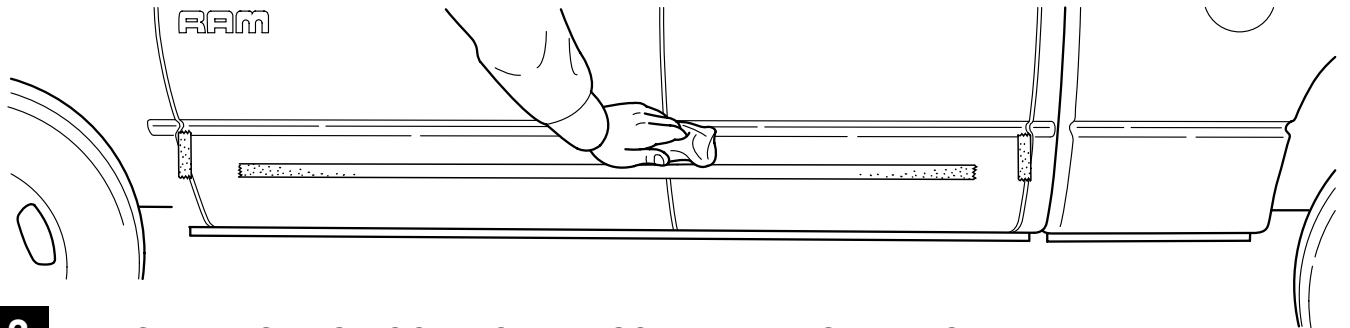
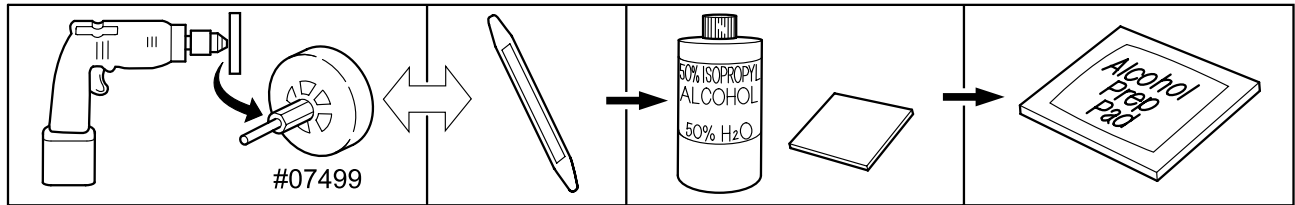


10

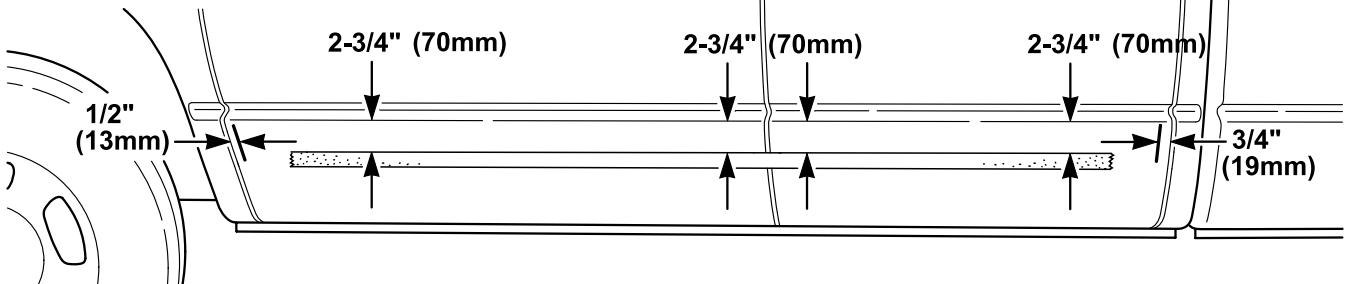
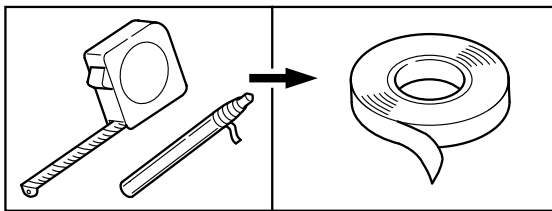


**2** IF VEHICLE HAS FACTORY INSTALLED MOULDINGS, APPLY MASKING TAPE AS SHOWN.

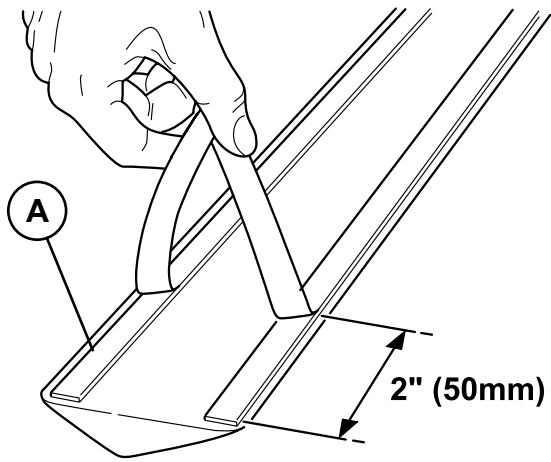
**1**



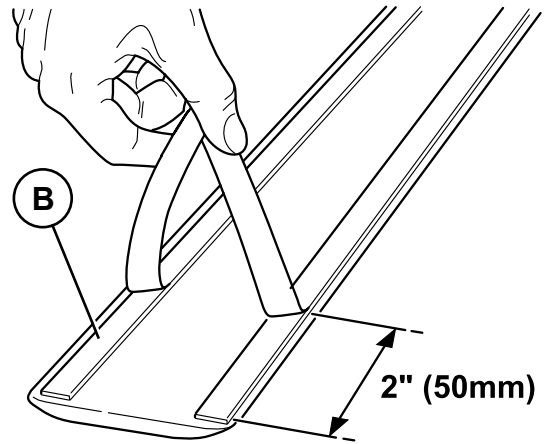
**3** REMOVE EXISTING DOOR MOULDINGS AND ADHESIVE RESIDUE.



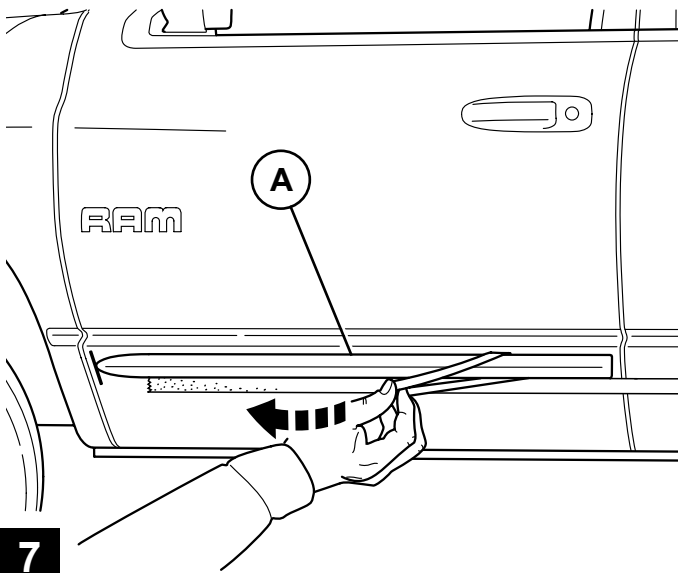
**5** IF VEHICLE HAS NO MOULDINGS, MEASURE AS SHOWN AND APPLY MASKING TAPE.



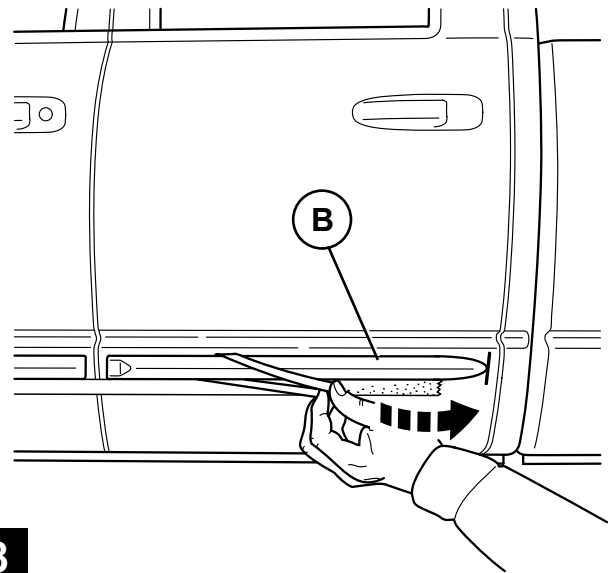
5



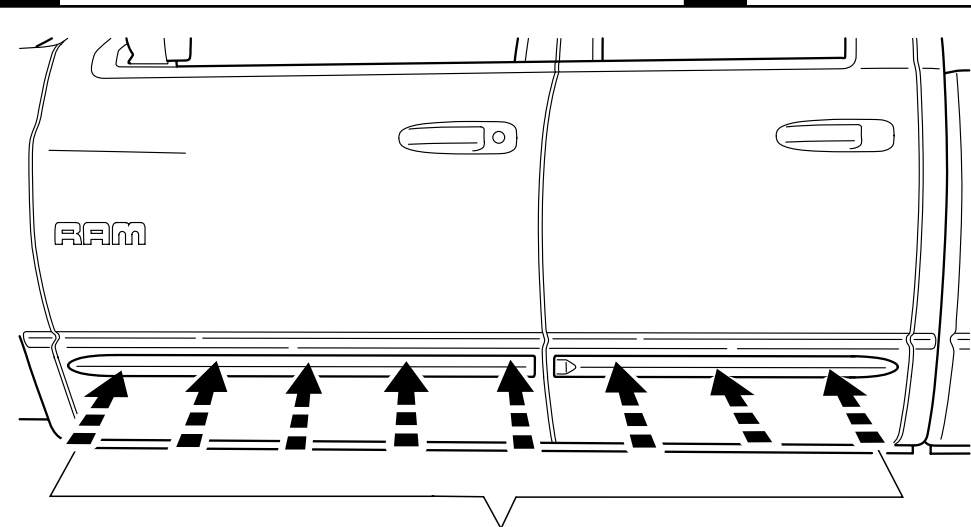
6



7

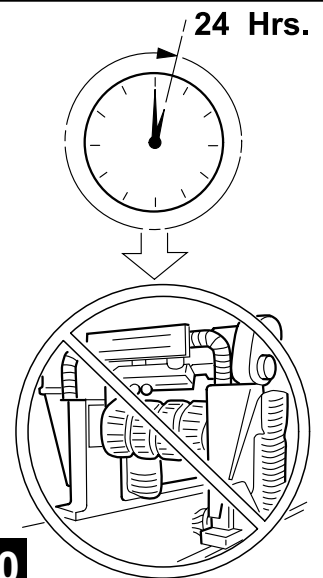


8



9

30 lbs. (14 kg)



10