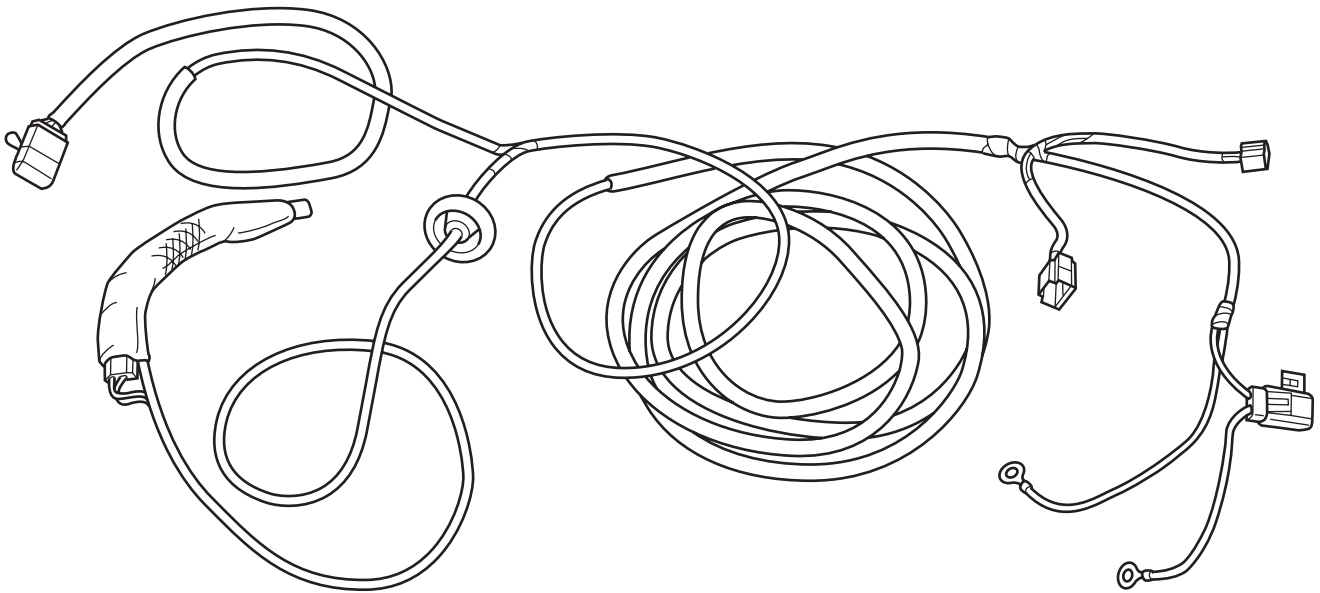




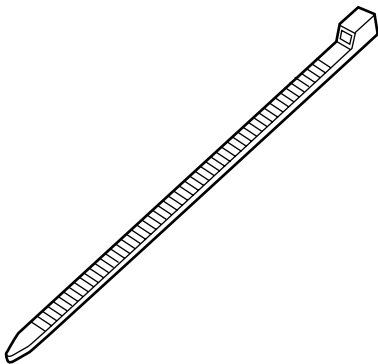
MOPAR®

CHRYSLER PT CRUISER

Trailer Tow Harness

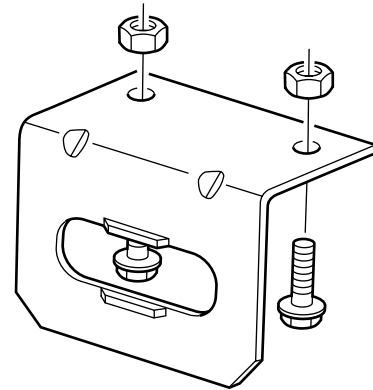


A

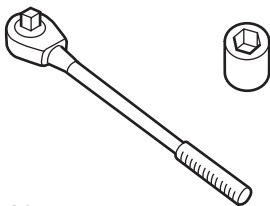


B

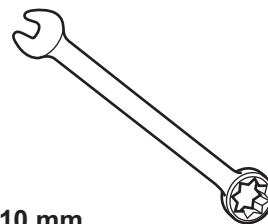
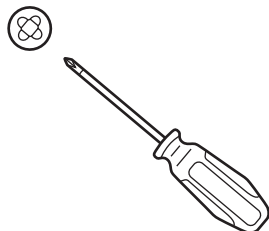
12X



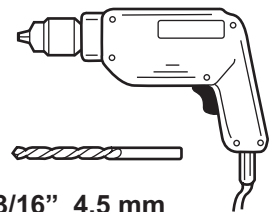
C



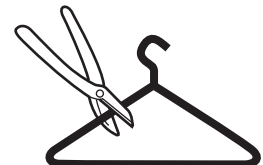
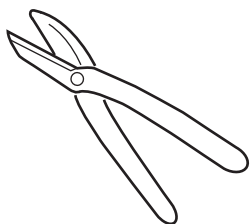
10 mm

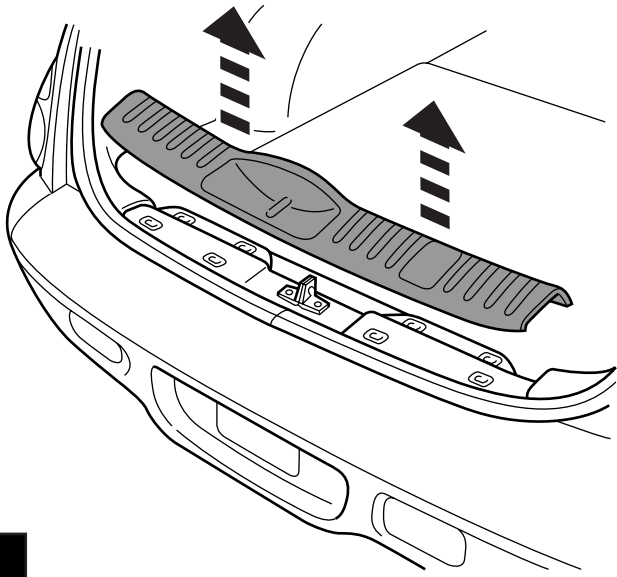


10 mm

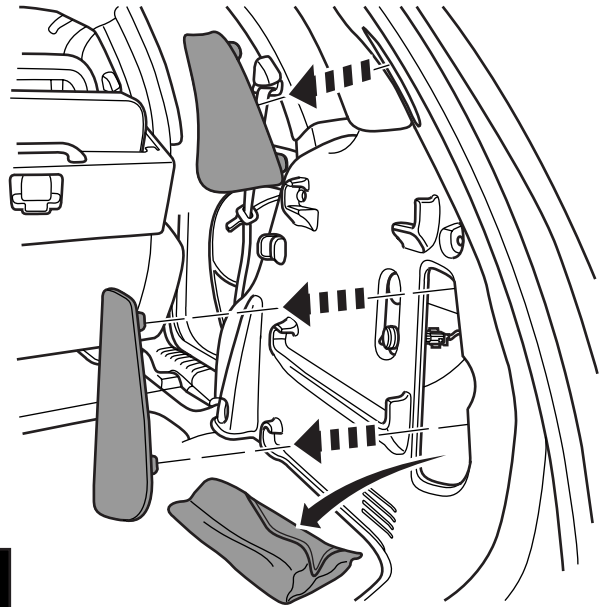


3/16" 4.5 mm

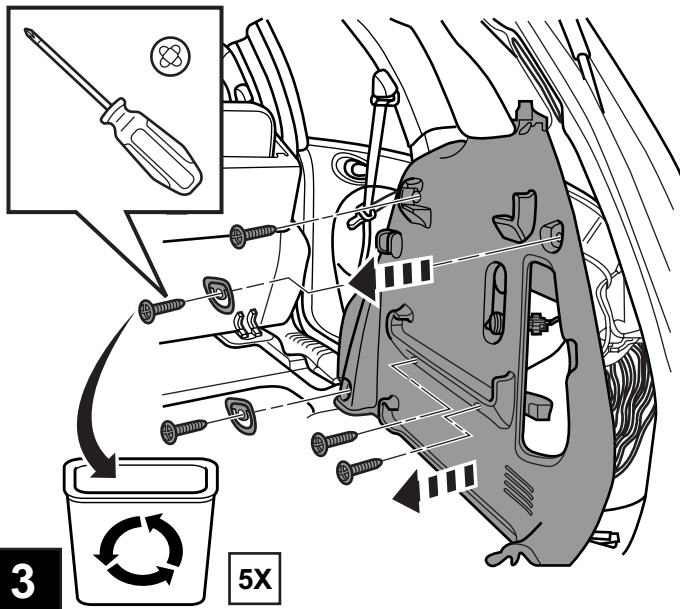




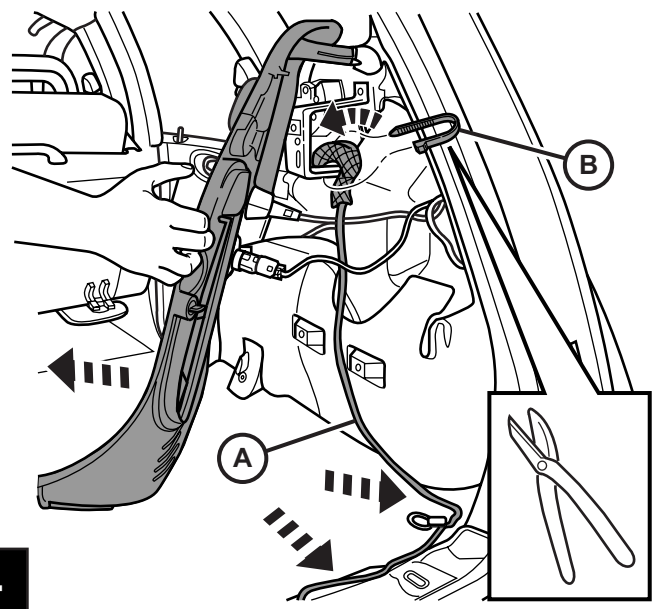
1



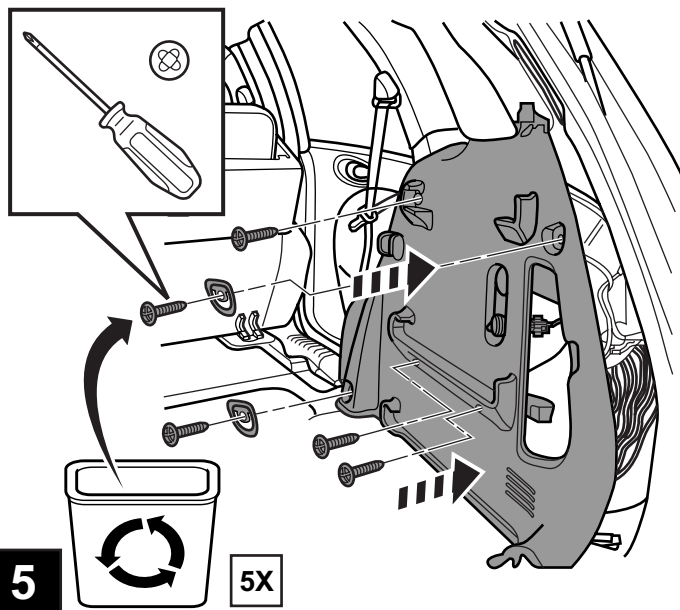
2



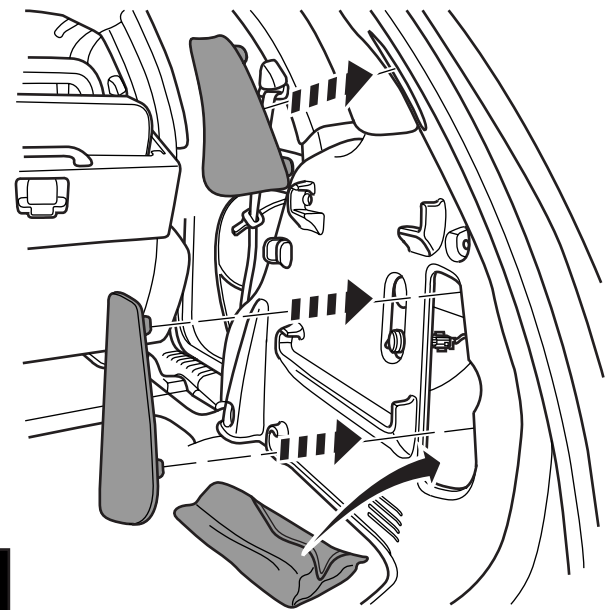
3



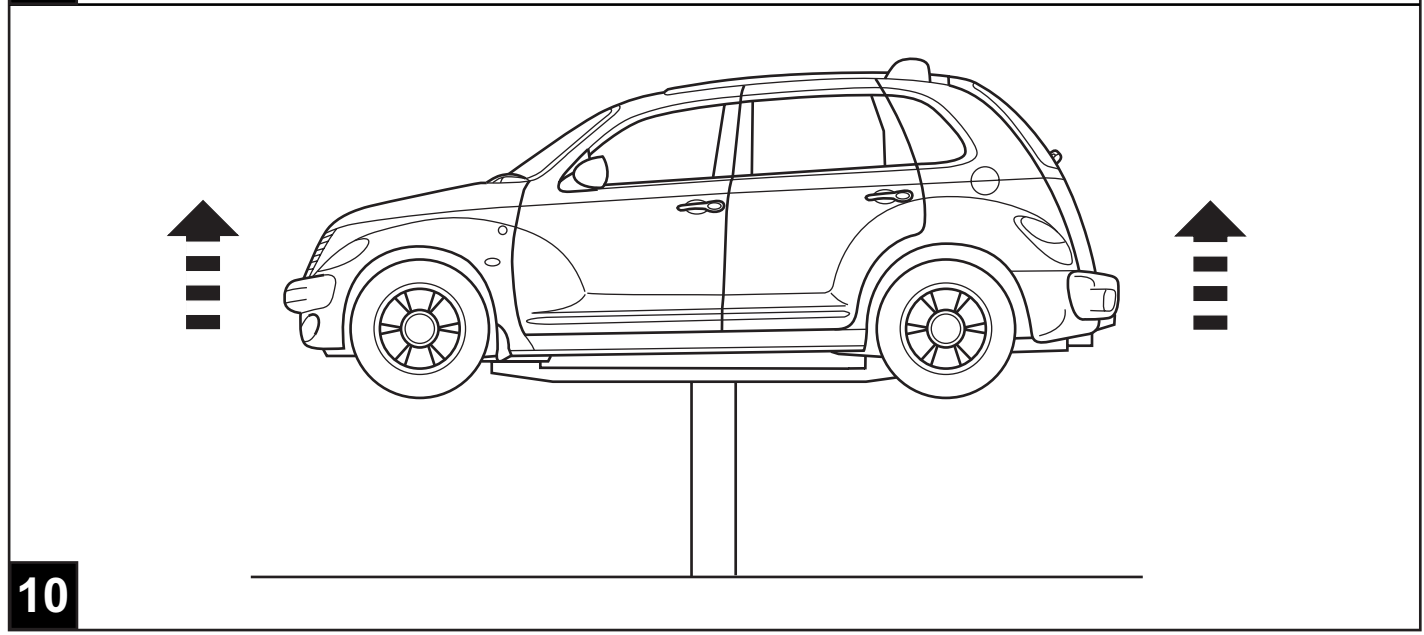
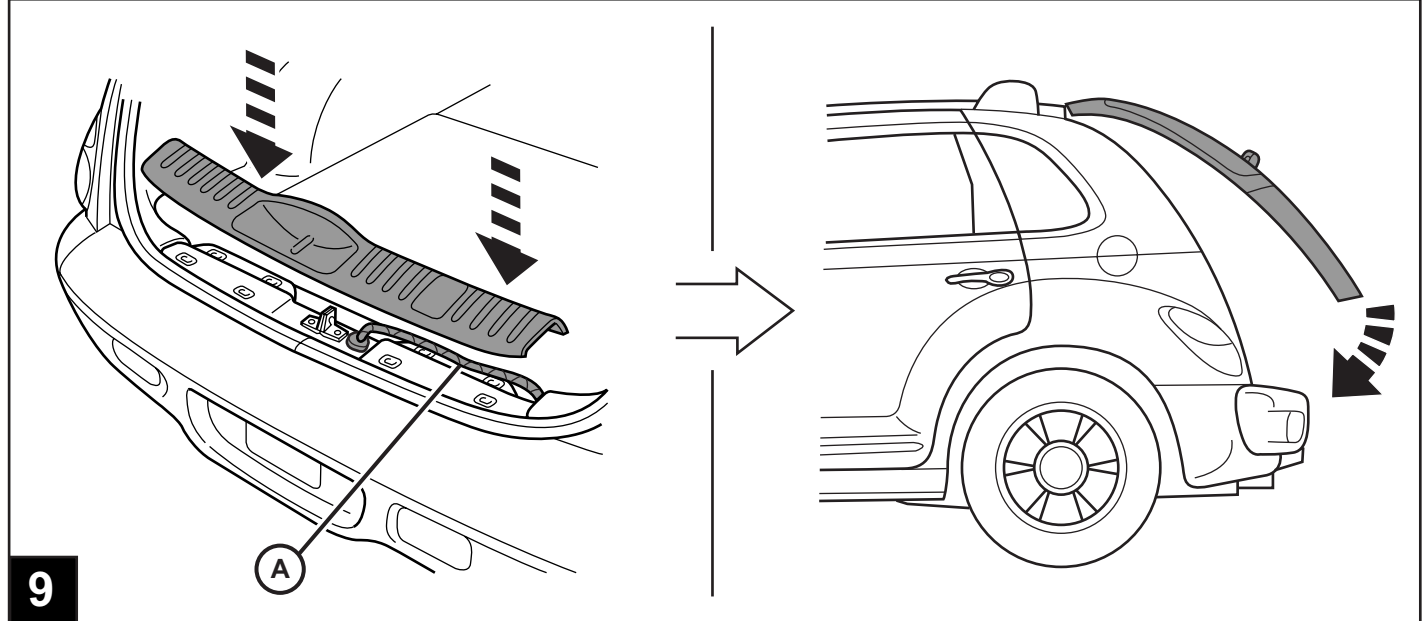
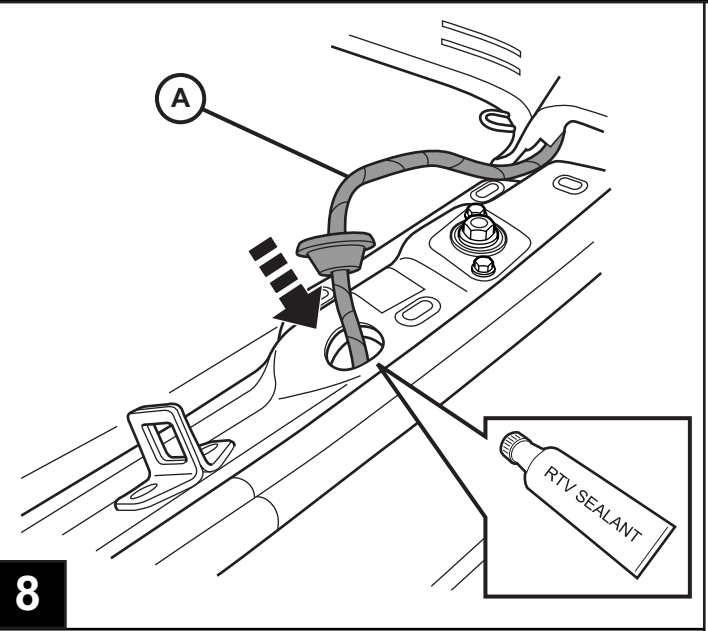
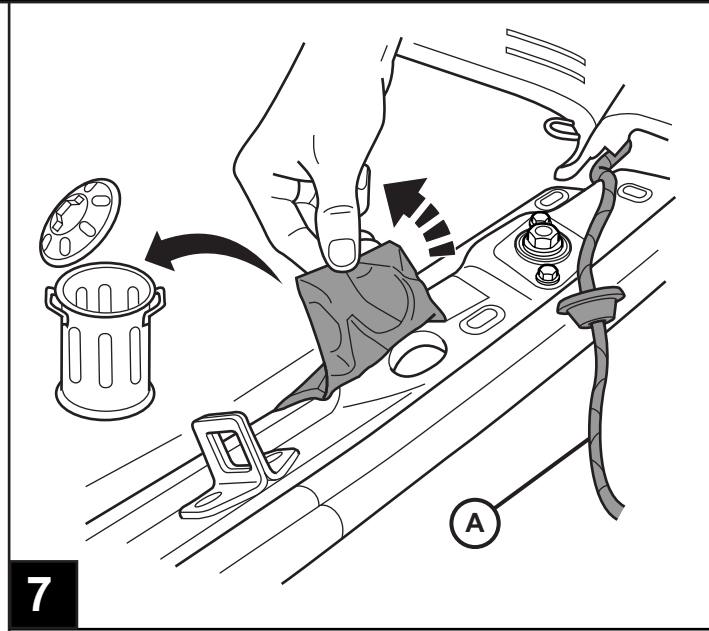
4

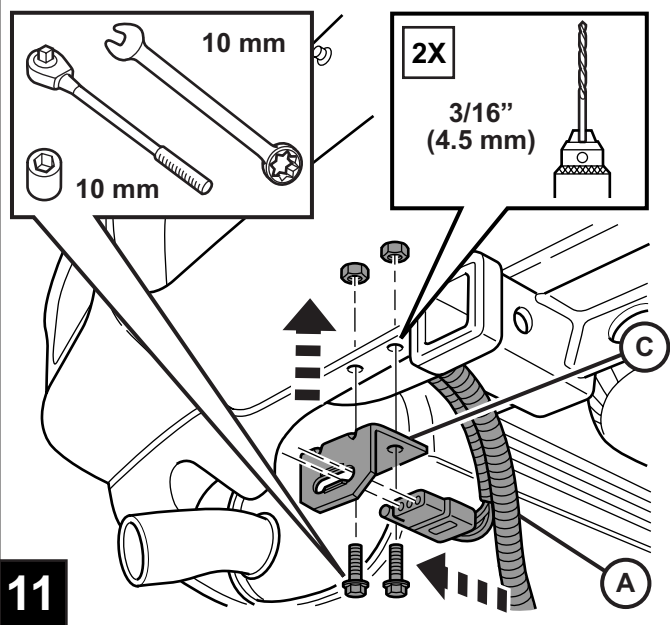


5

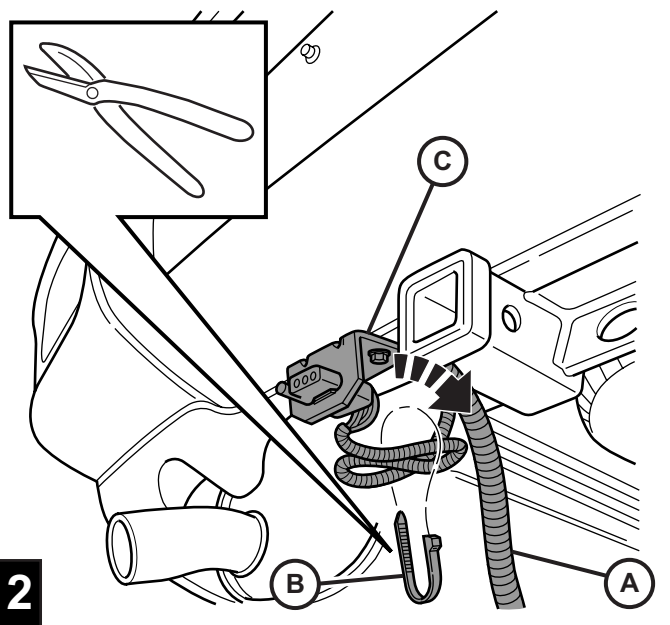


6

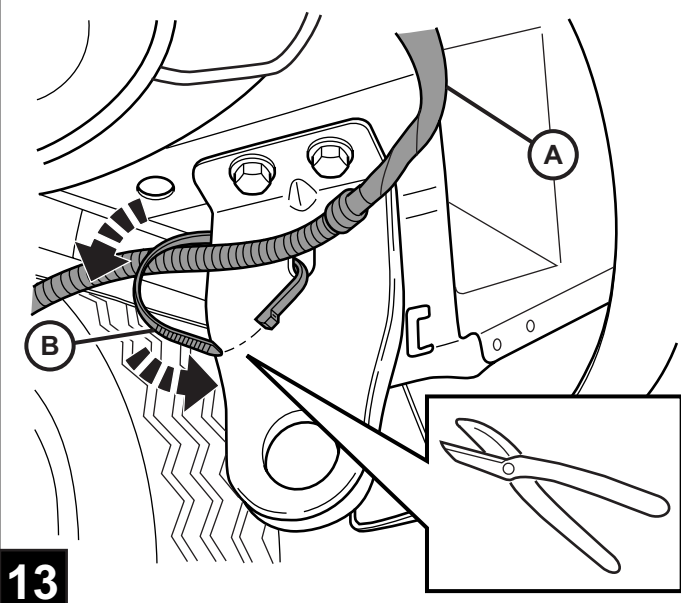




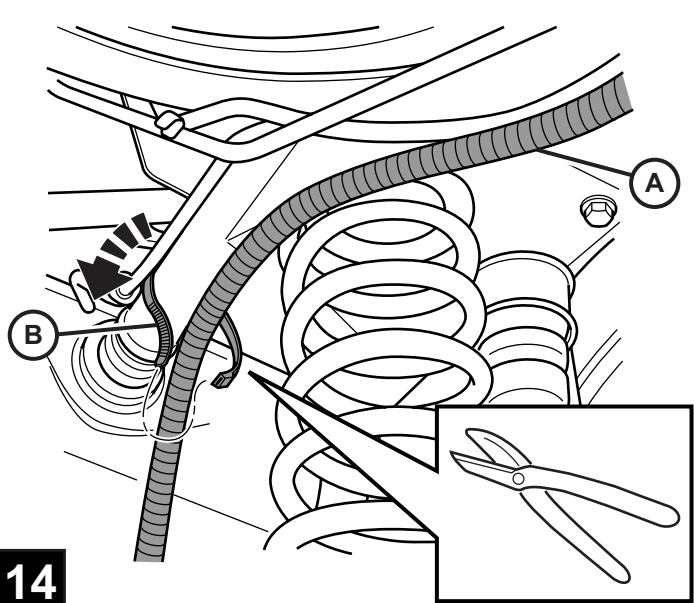
11



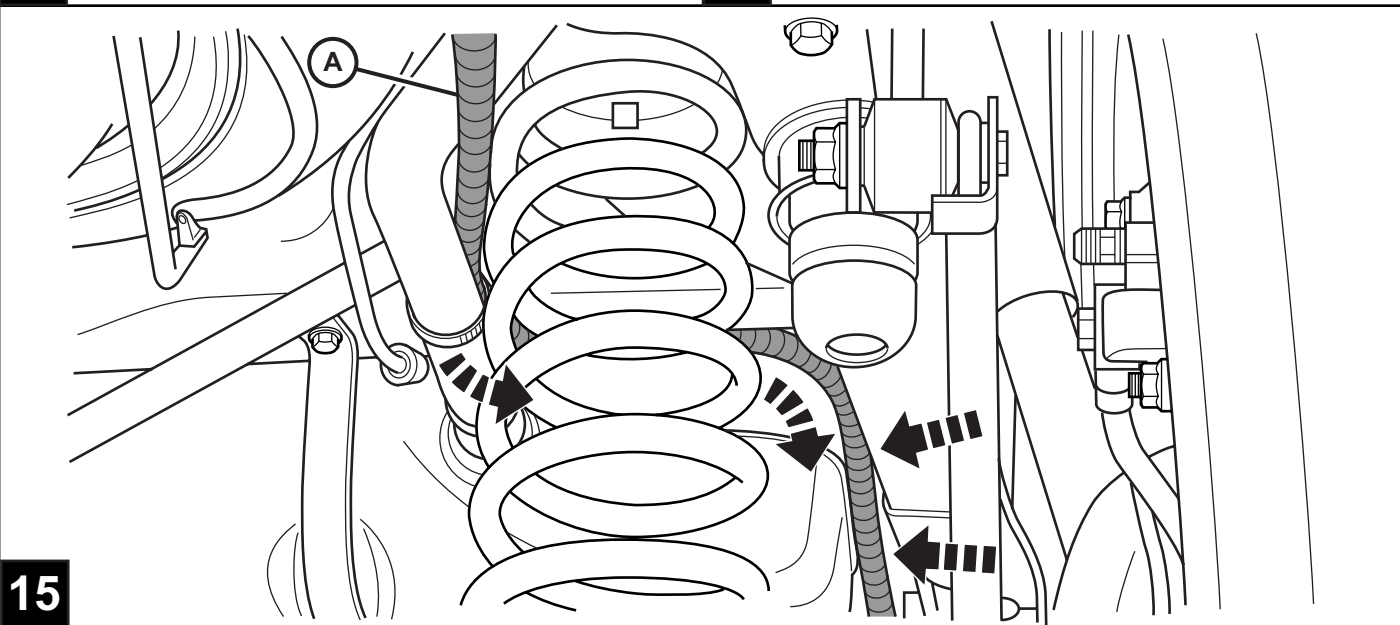
12



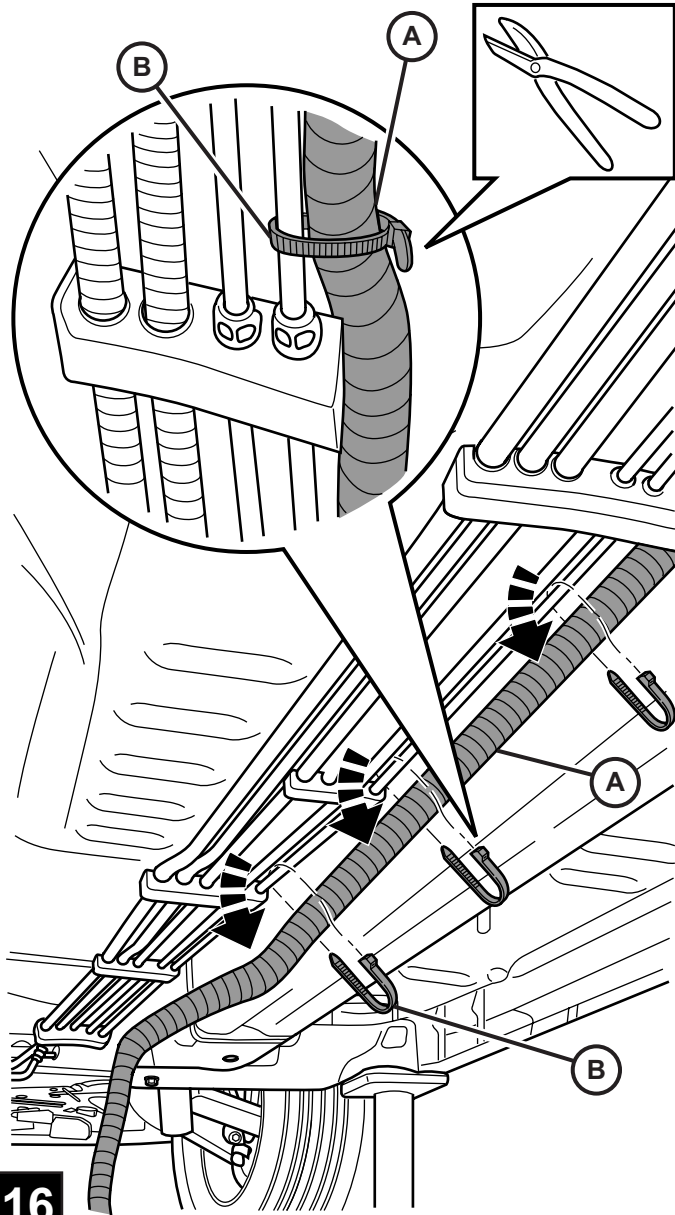
13



14



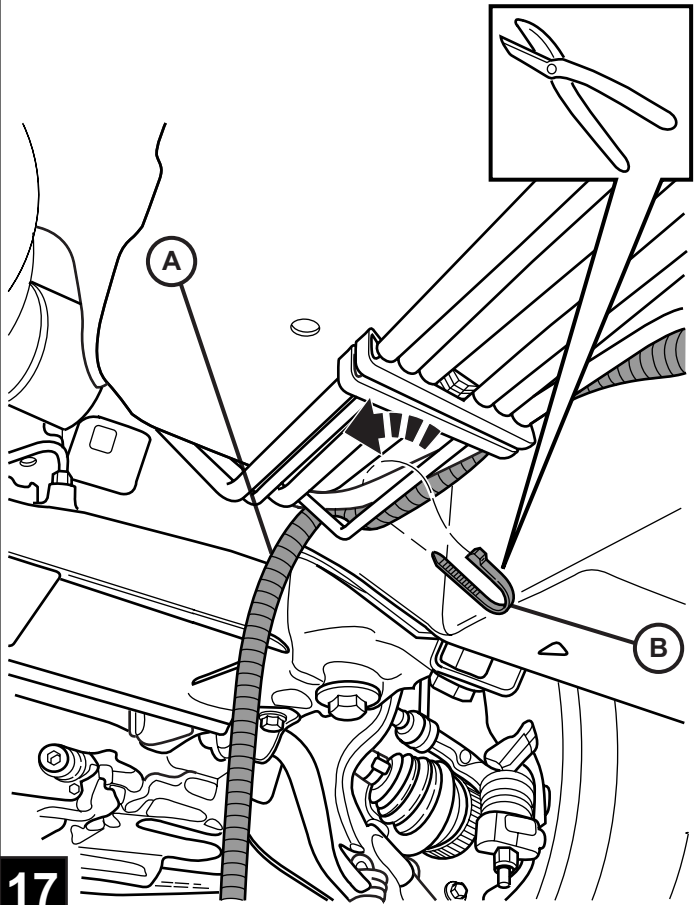
15



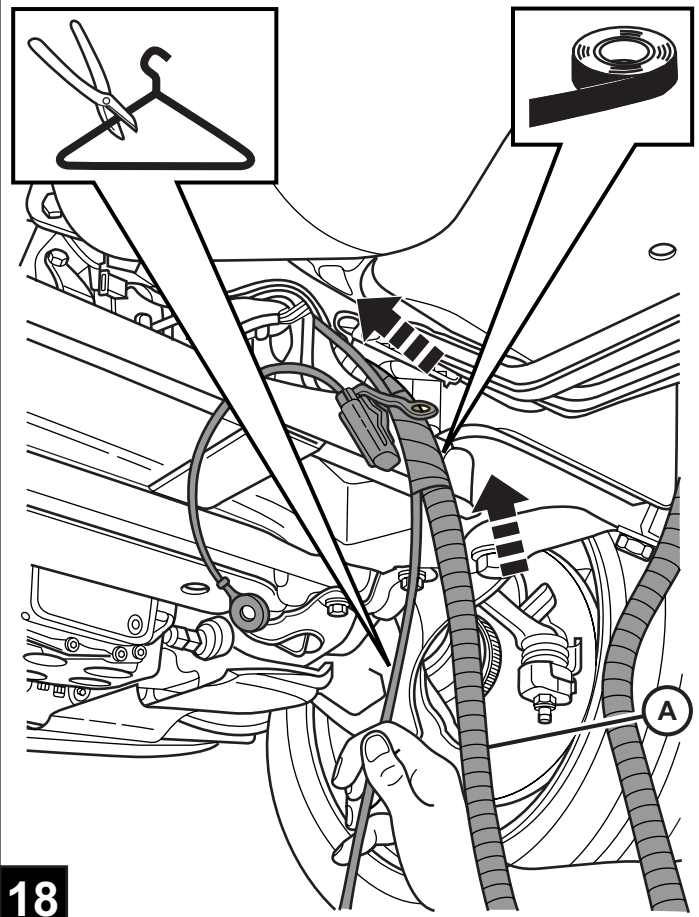
16

⚠ CAUTION ⚠

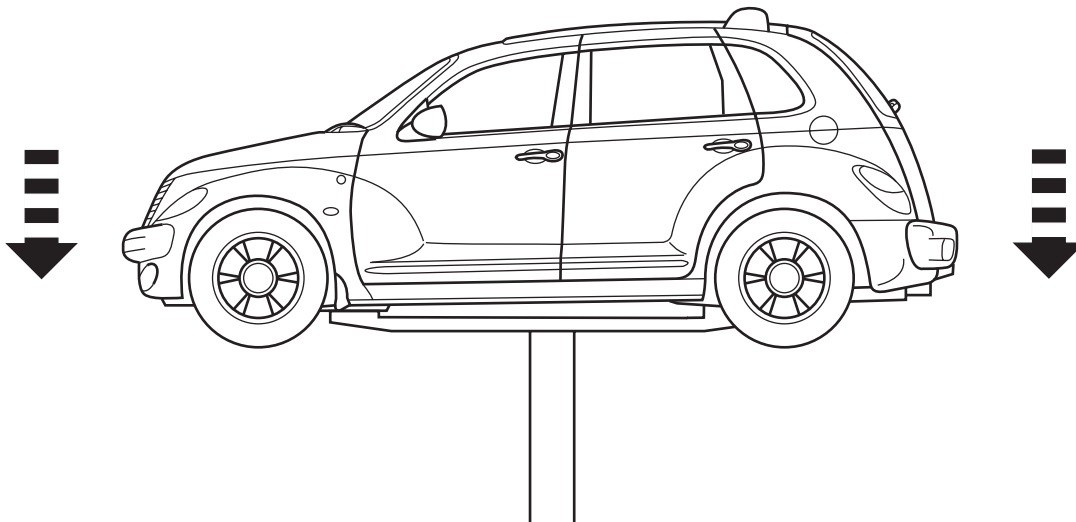
WHEN ROUTING TOW HARNESS THROUGH ENGINE COMPARTMENT, HARNESS MUST BE MOUNTED AWAY FROM EXHAUST MANIFOLD HEAT SHIELD AND EXHAUST PIPE.



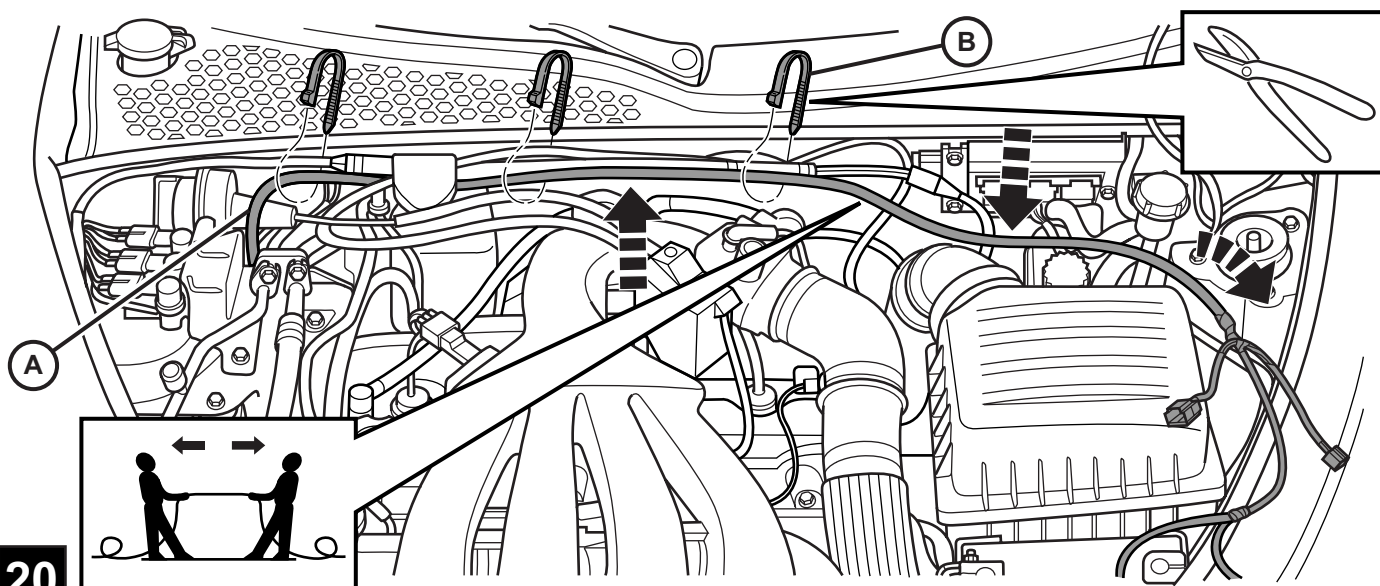
17



18



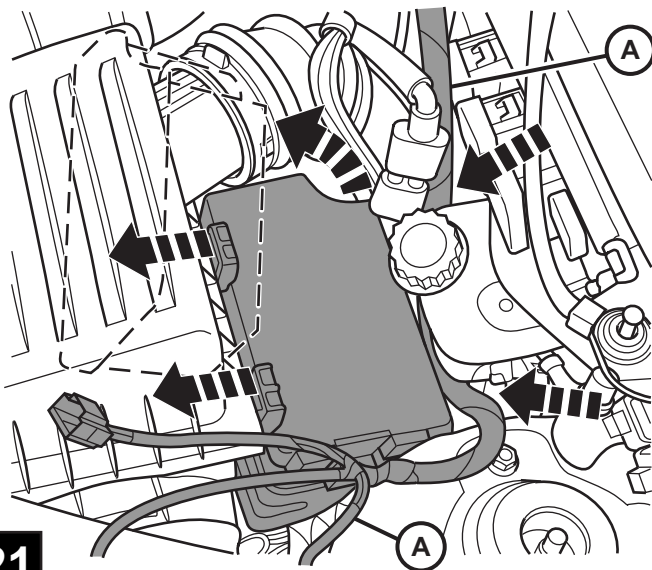
19



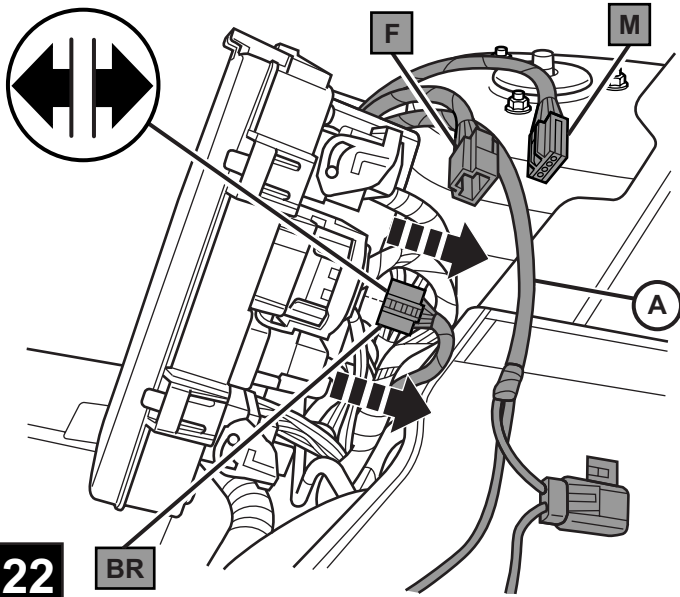
20

⚠ CAUTION ⚠

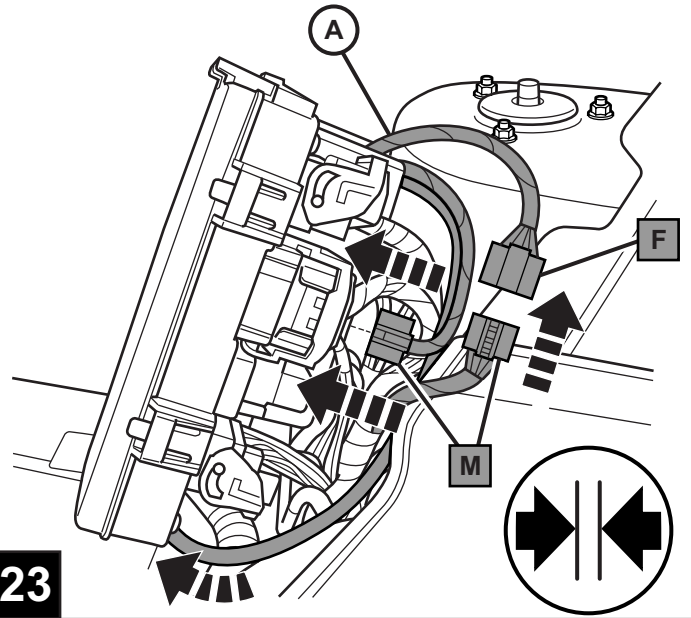
TO AVOID FIRE OR MELTING,
TOW HARNESS ***MUST*** BE
ROUTED AWAY FROM EXHAUST
MANIFOLD HEAT SHIELD AND
EXHAUST PIPE.



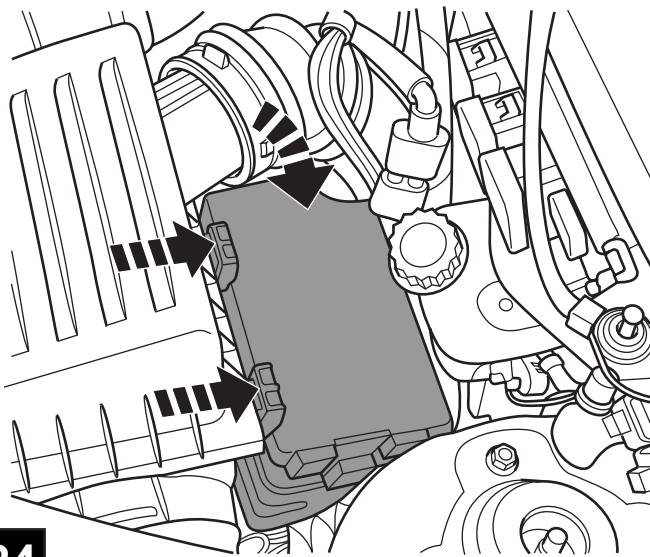
21



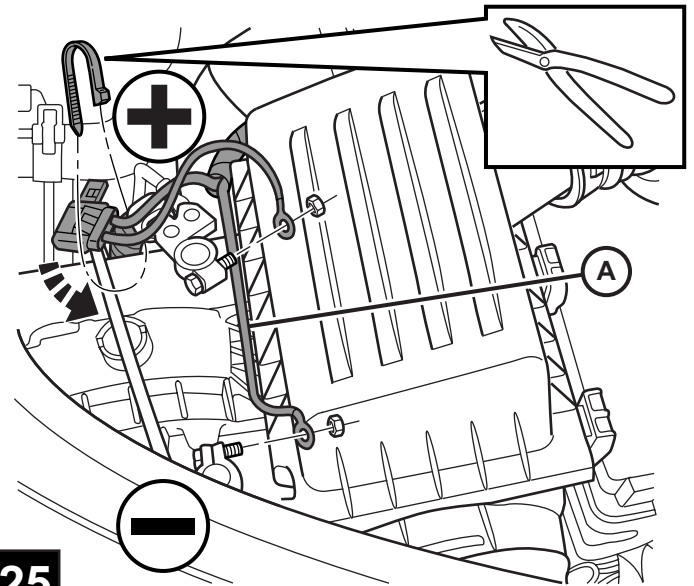
22



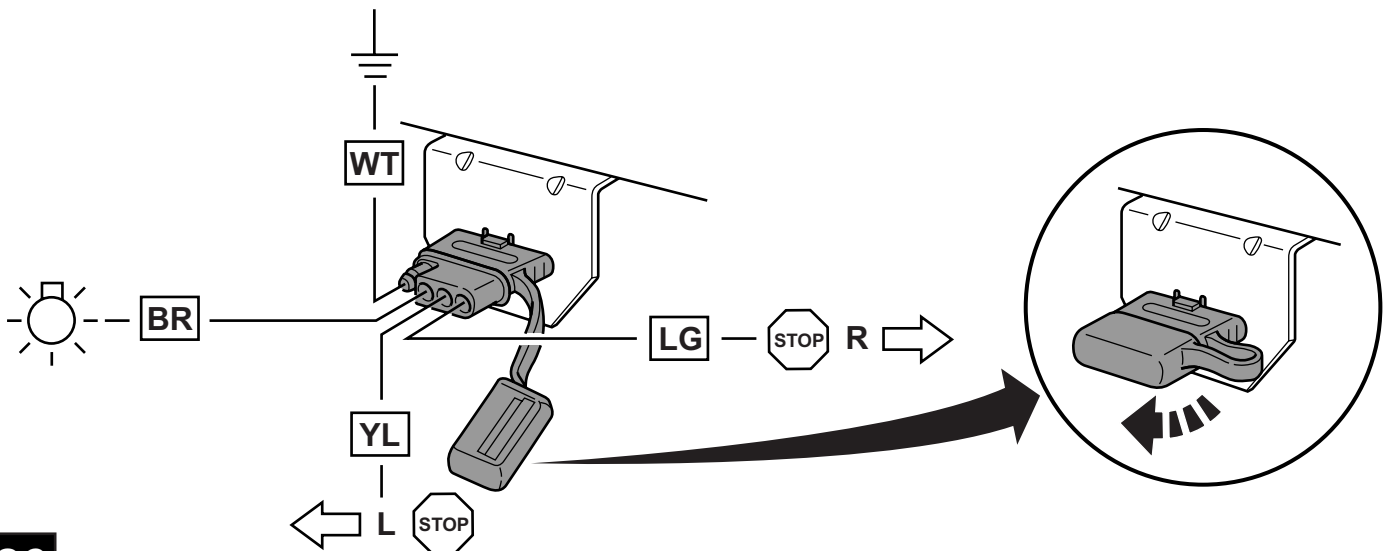
23



24



25



26