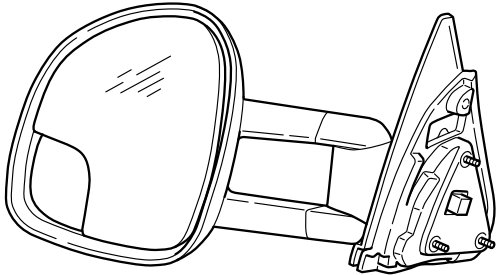


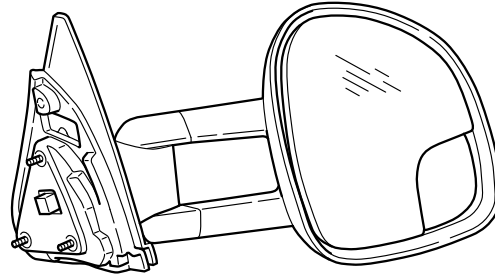


DODGE RAM

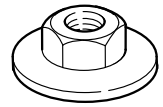
Extendable Trailer Tow Mirrors



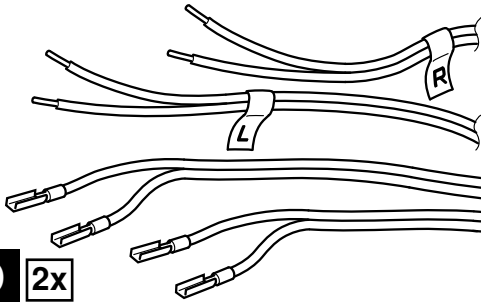
A **L**



B **R**

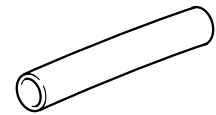


C **6x**



Identify L (left) wires from R (right) wires with masking tape and a permanent marker.

D **2x**

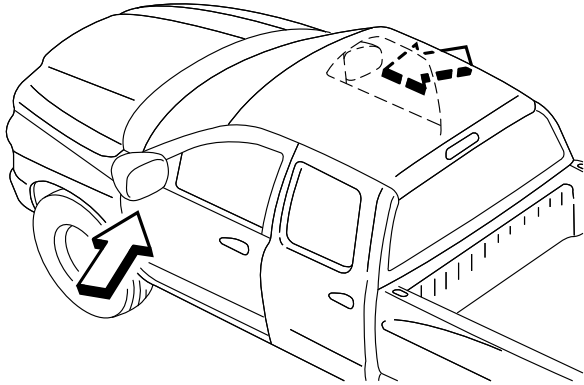


E **2x**

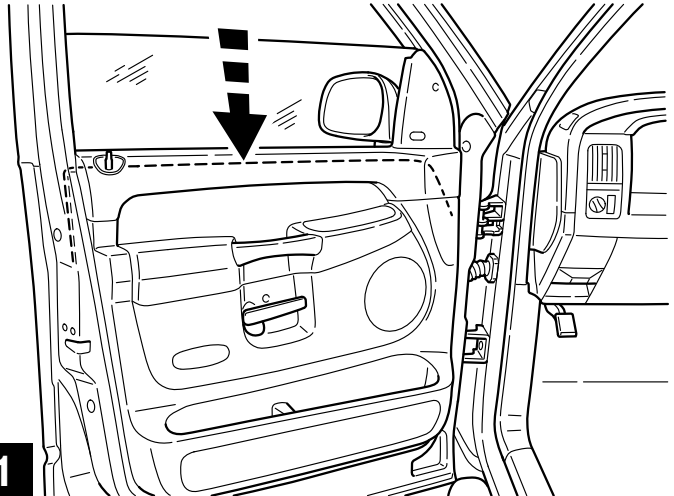
Items D and E are only for vehicles equipped with electric mirrors.

		 10mm	 13/16			
					PLASTIC 	METAL

1 - 8

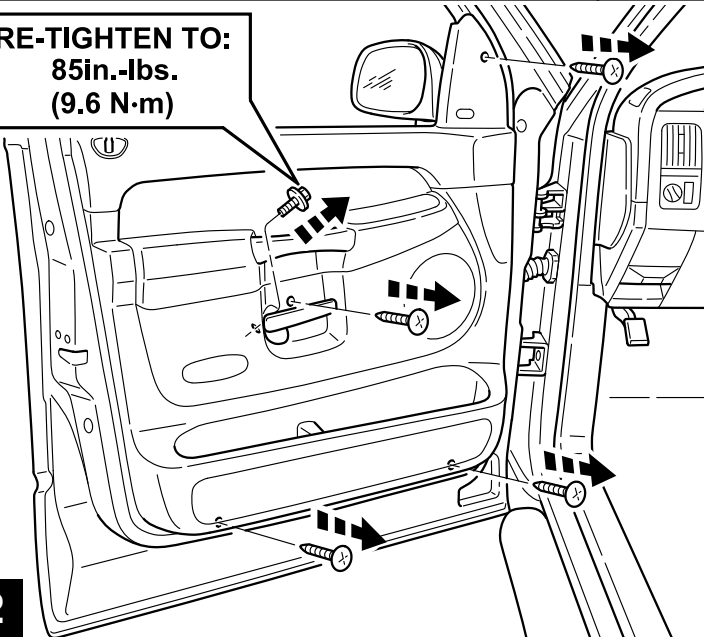


1

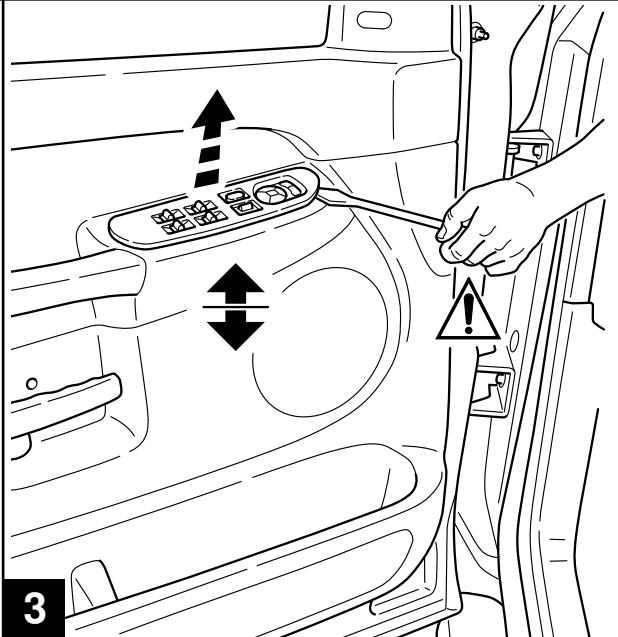


RE-TIGHTEN TO:
85in.-lbs.
(9.6 N·m)

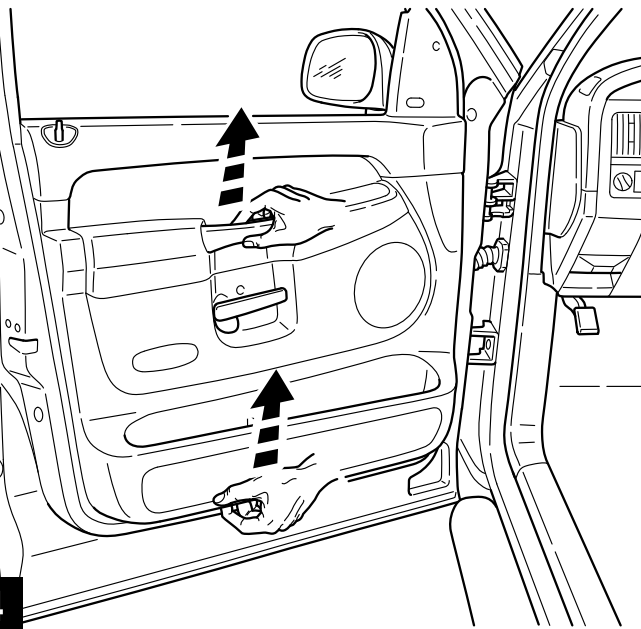
2



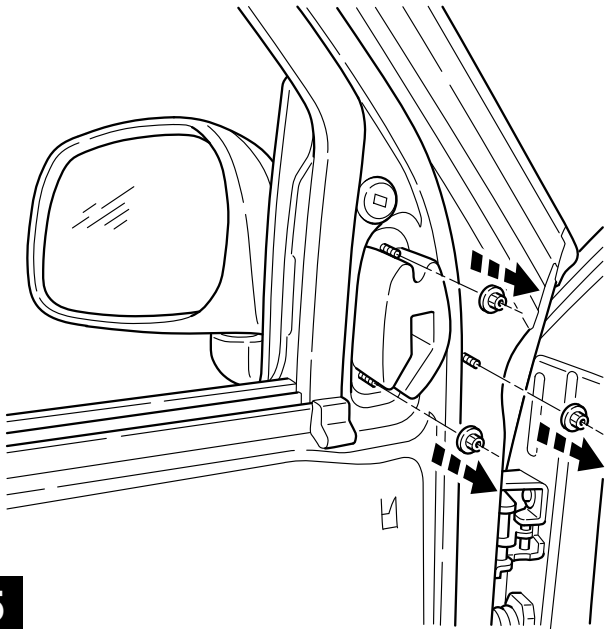
3

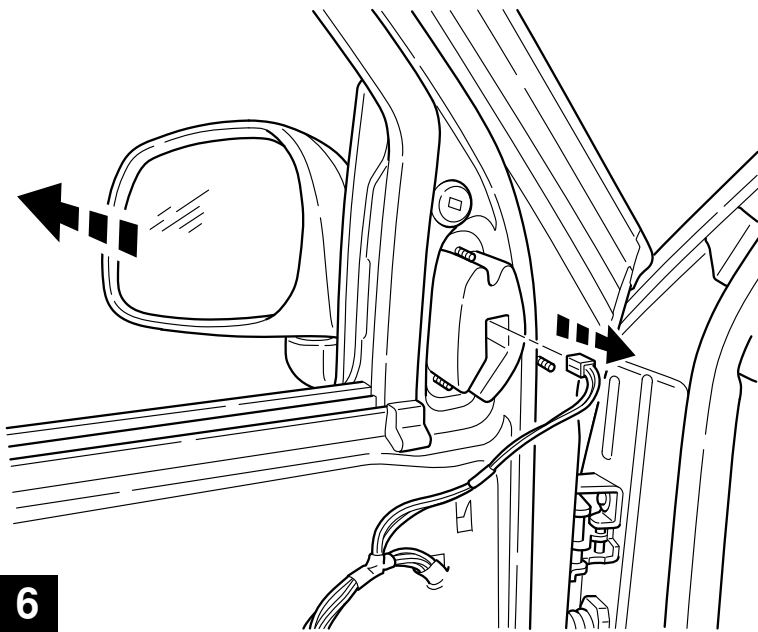


4

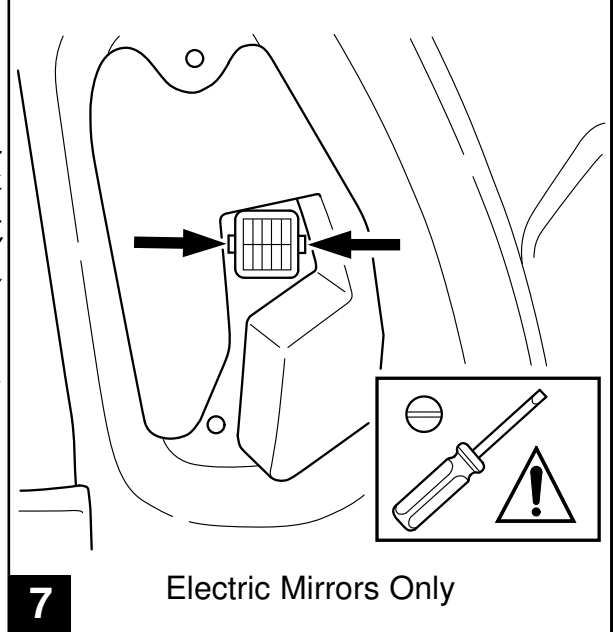


5



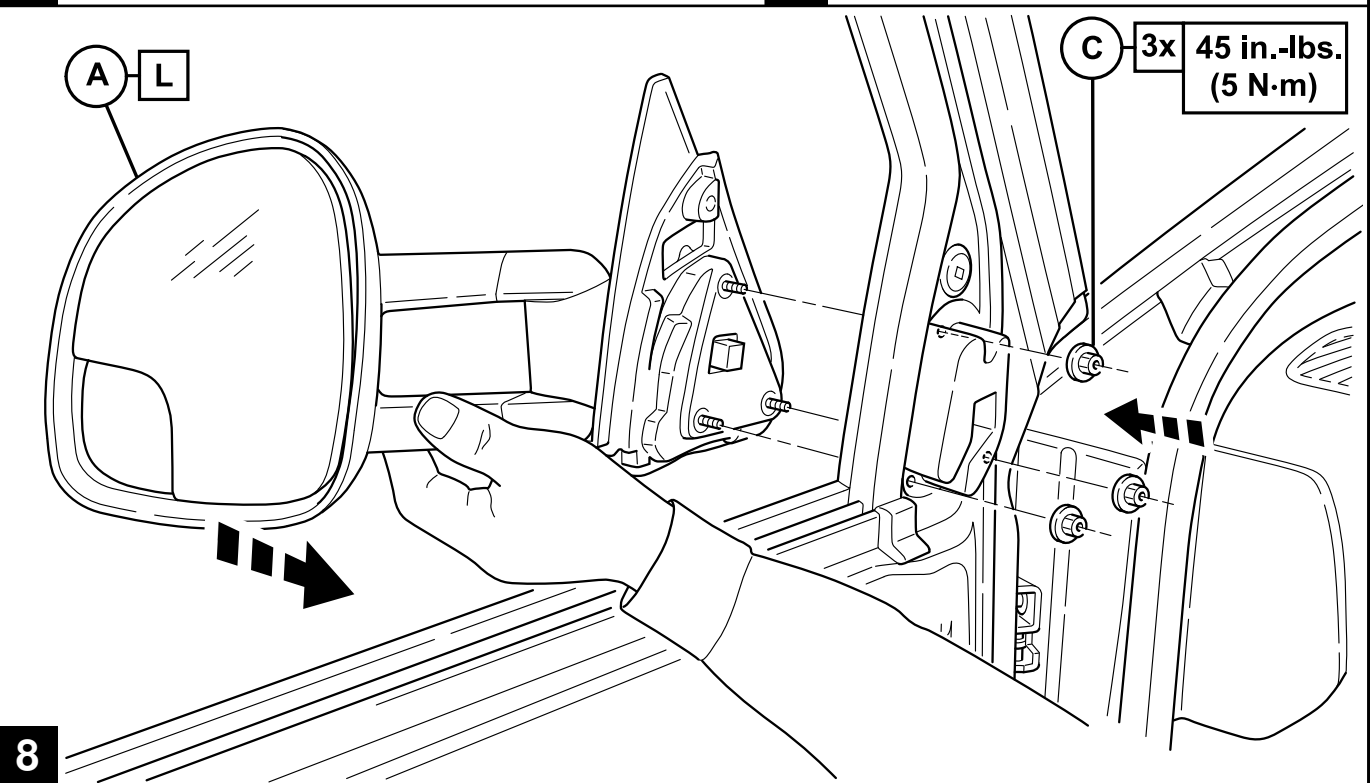


6



7

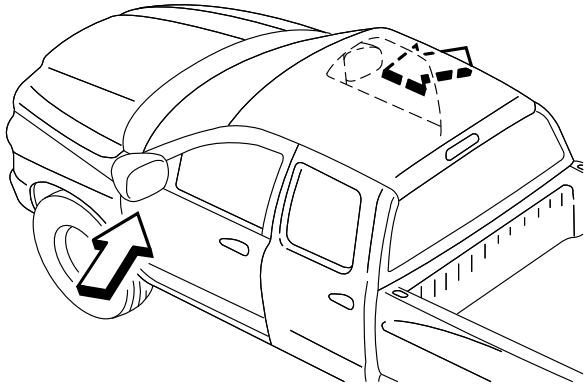
Electric Mirrors Only



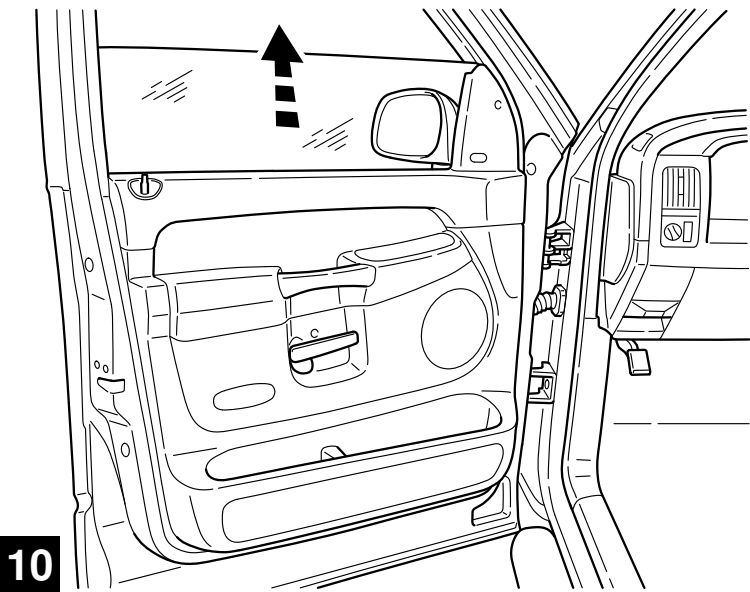
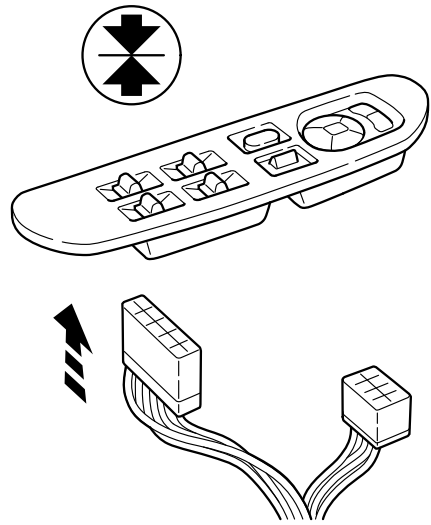
8

NOTE: Installation is now complete on vehicles without electric mirrors.
Proceed to Step 9 for vehicles with electric mirrors.

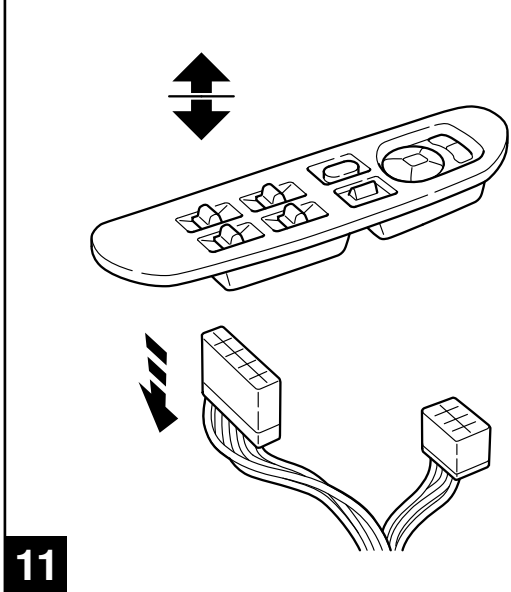
9 — 15



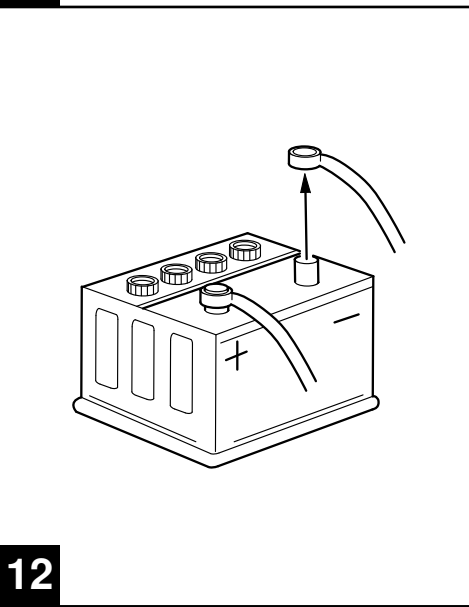
9



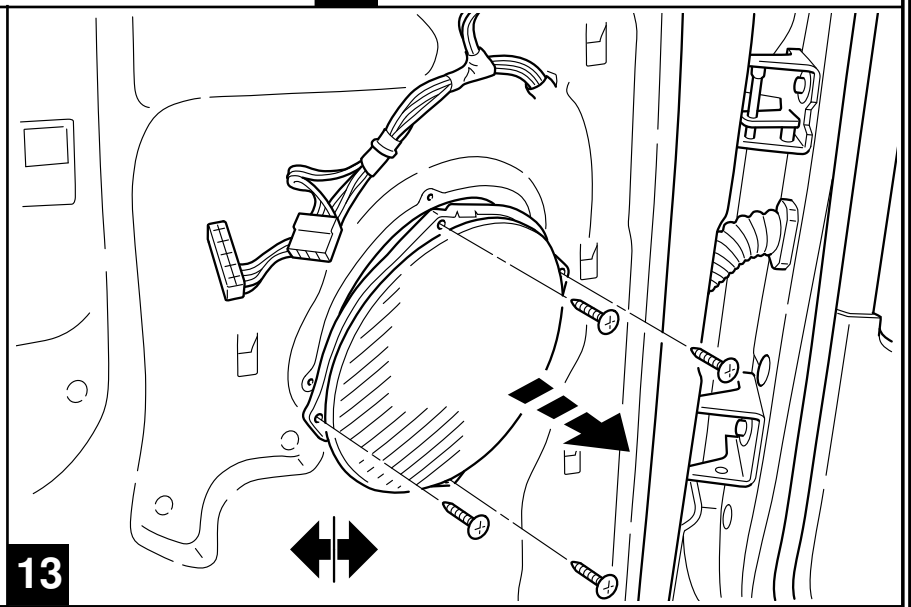
10



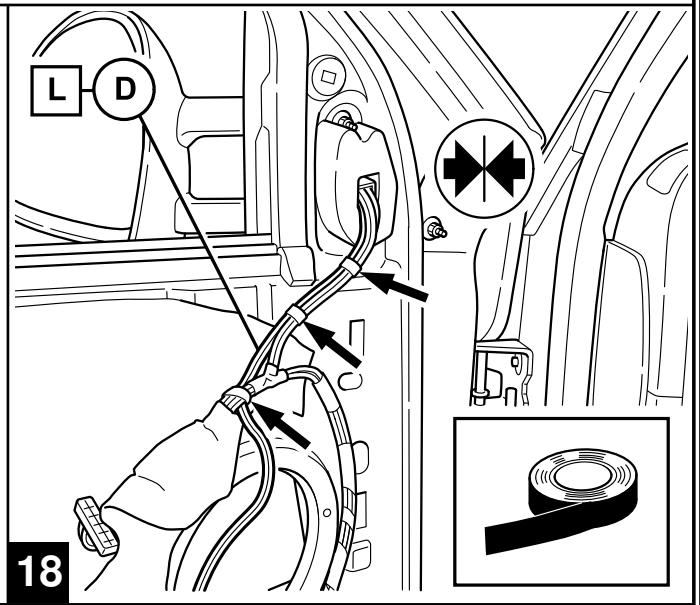
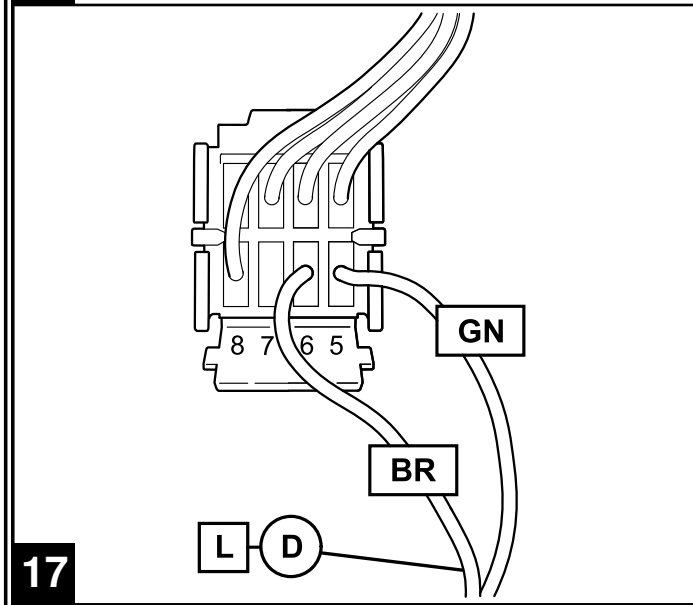
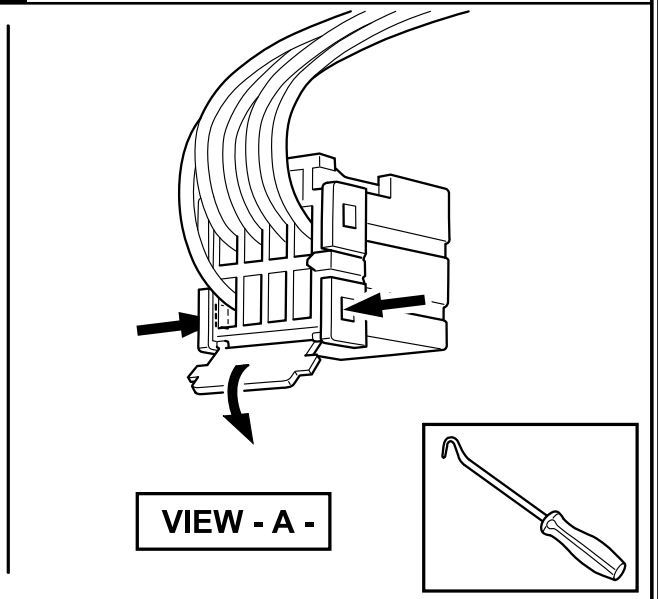
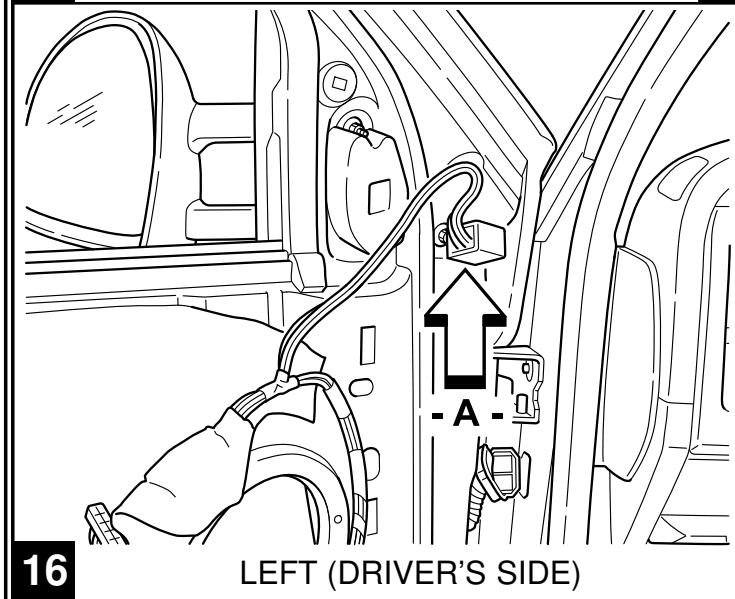
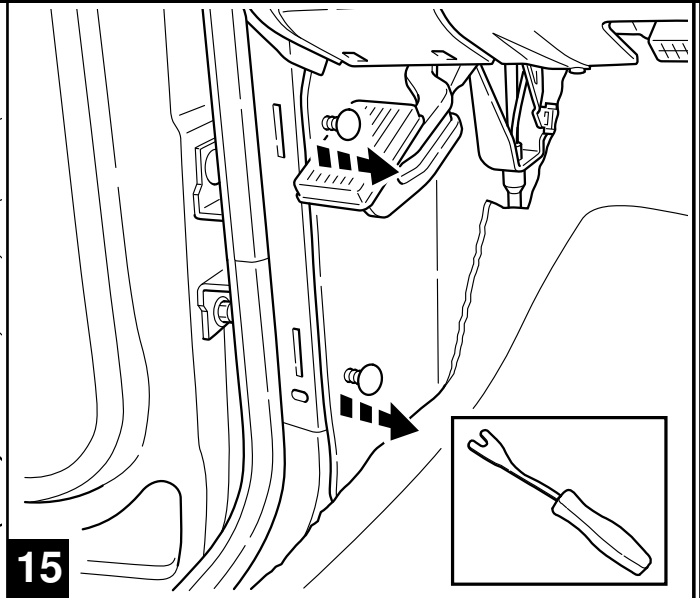
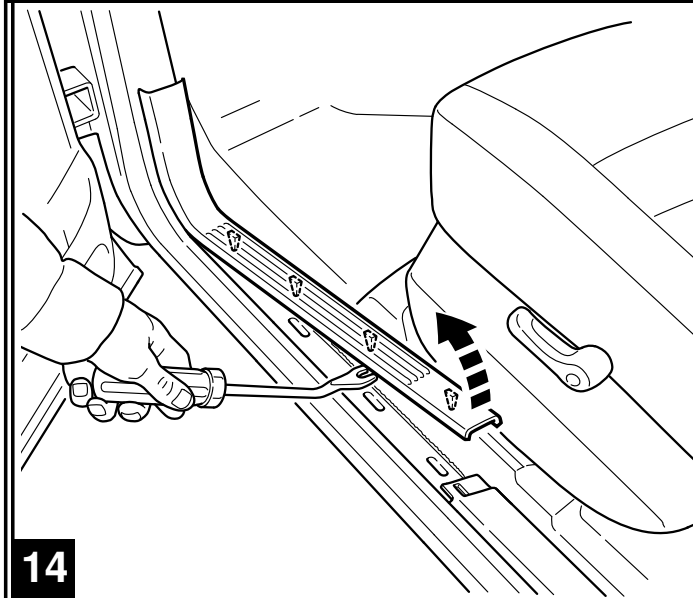
11

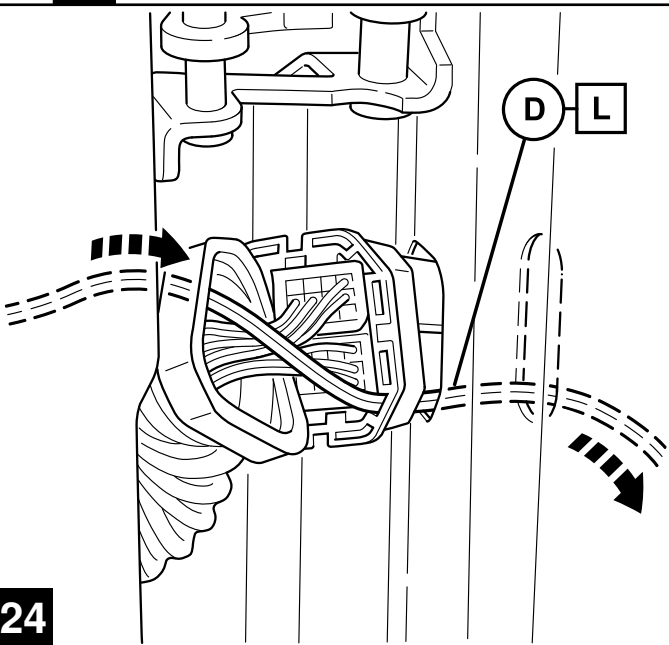
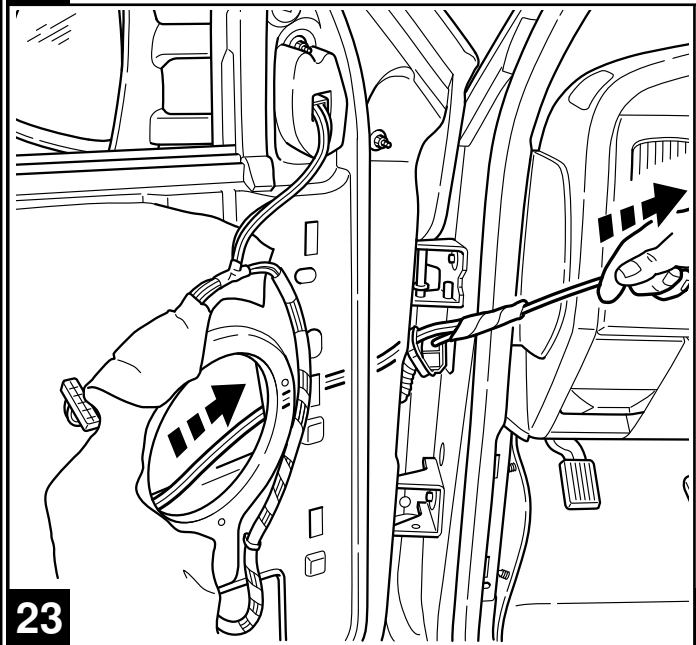
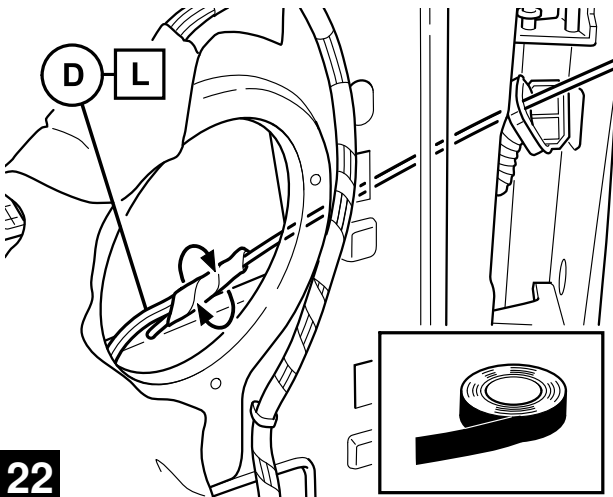
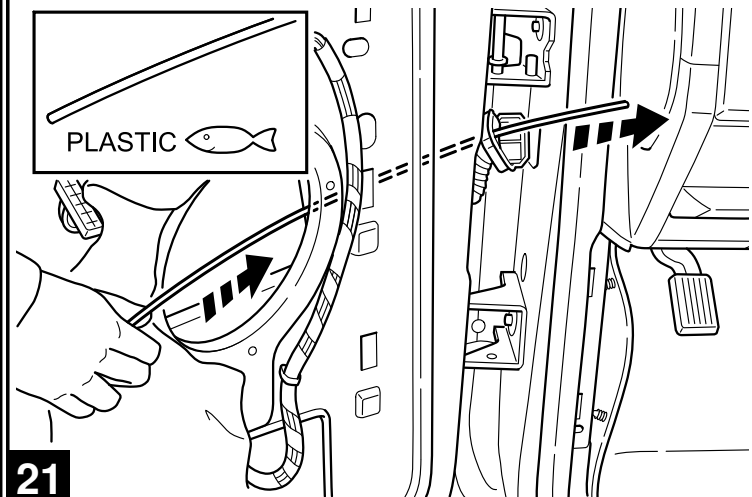
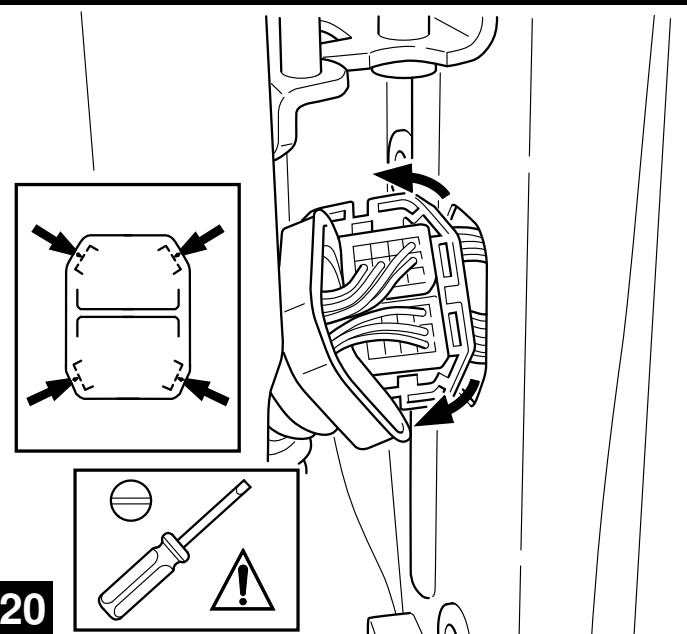
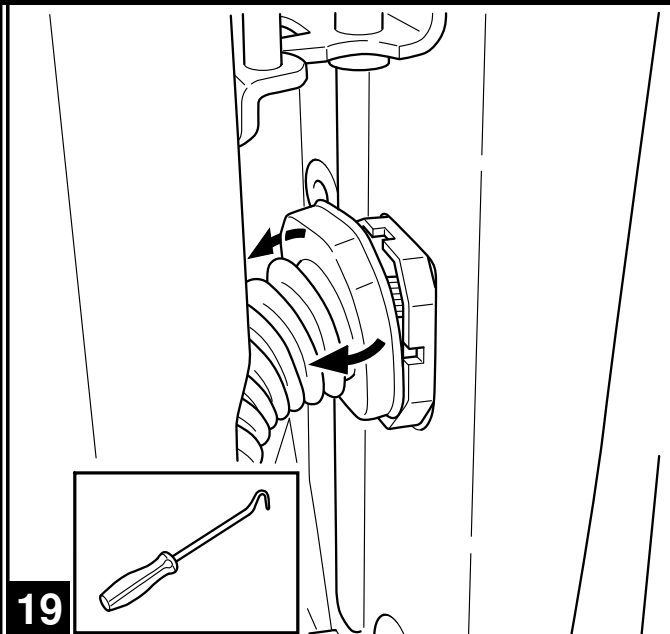


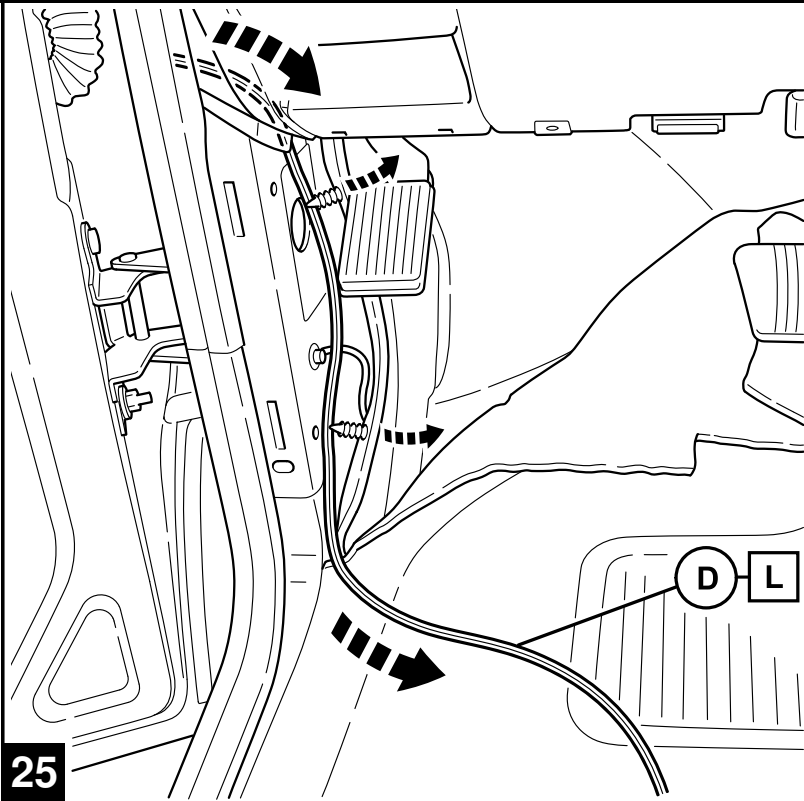
12



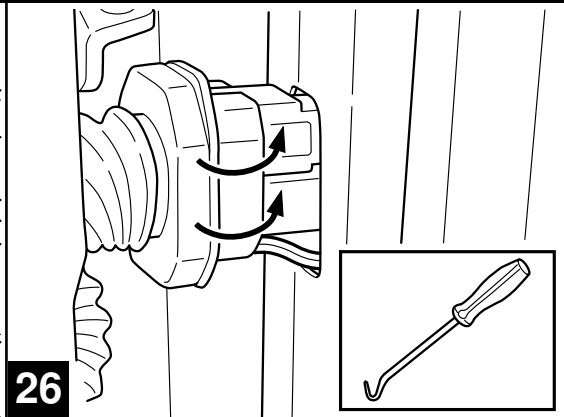
13



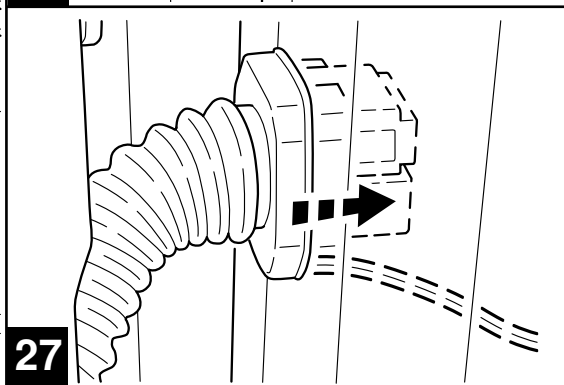




25

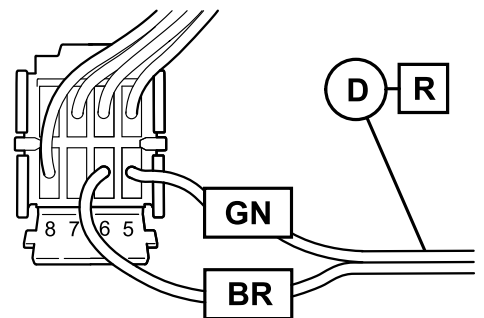


26

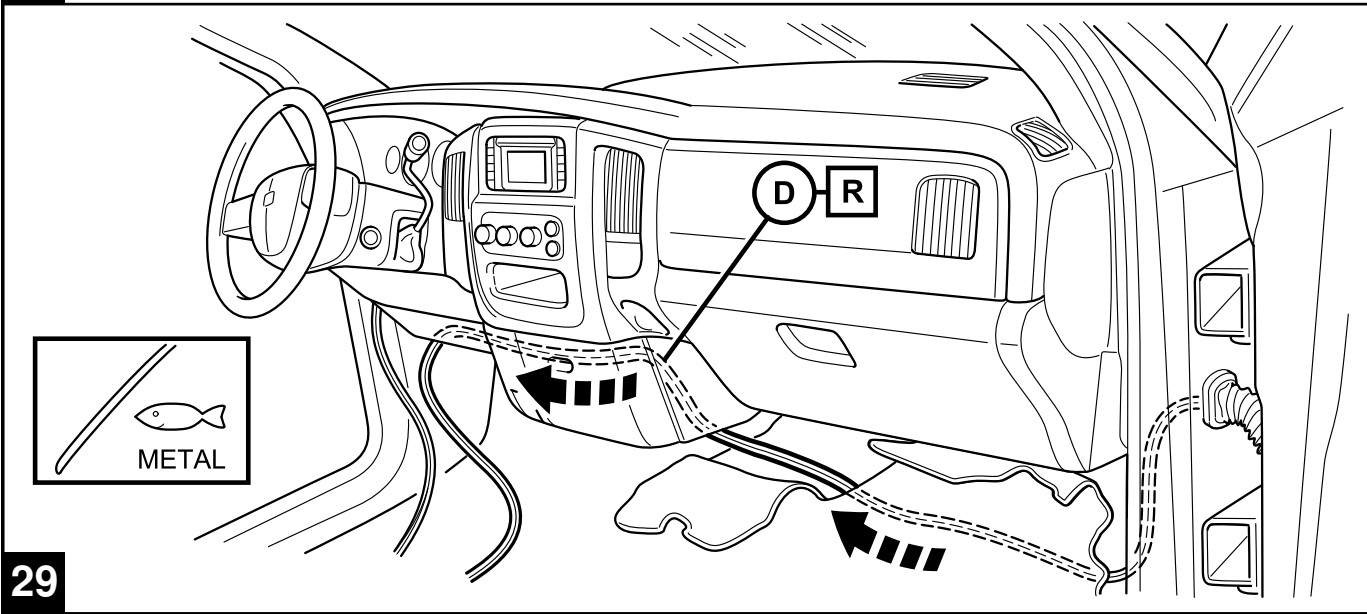


27

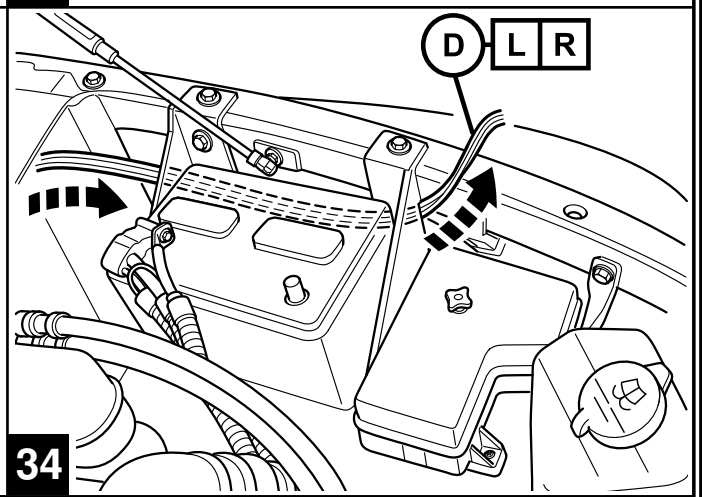
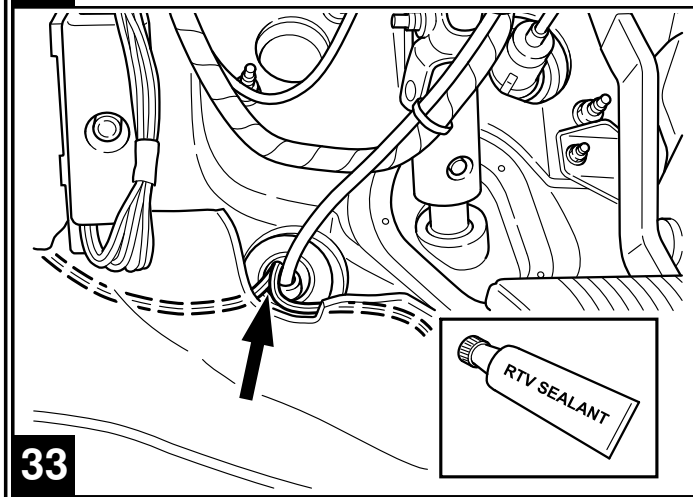
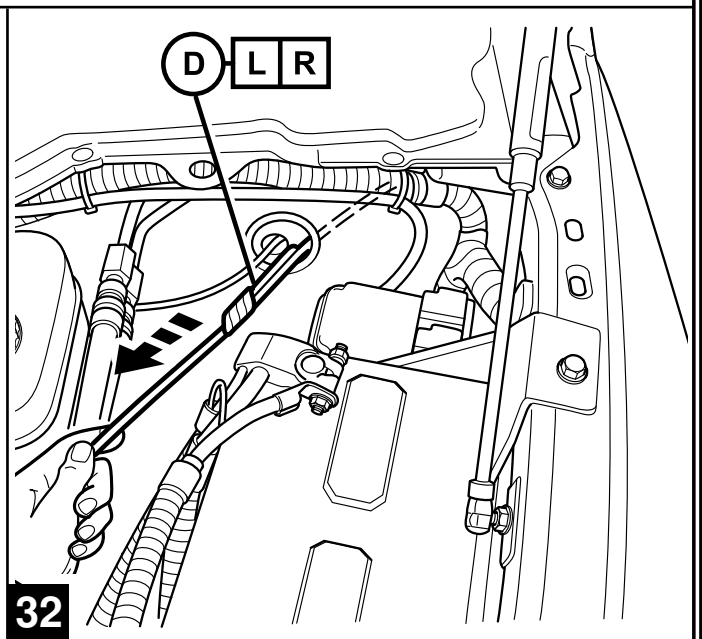
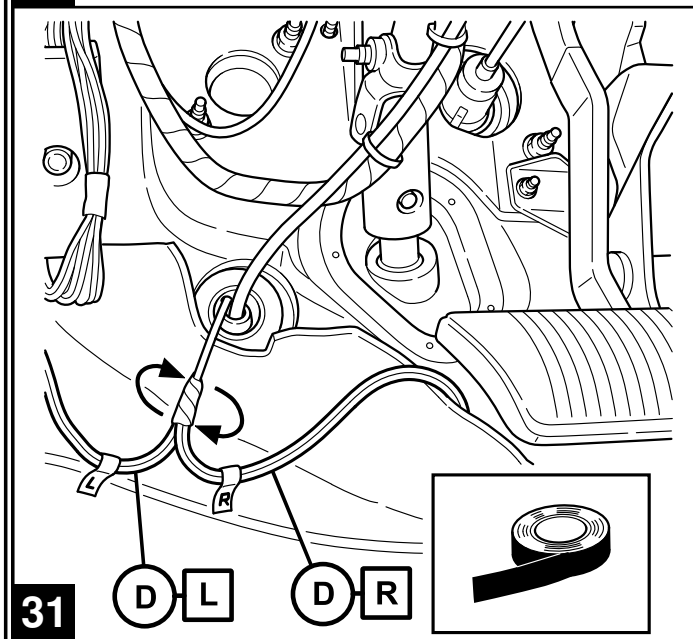
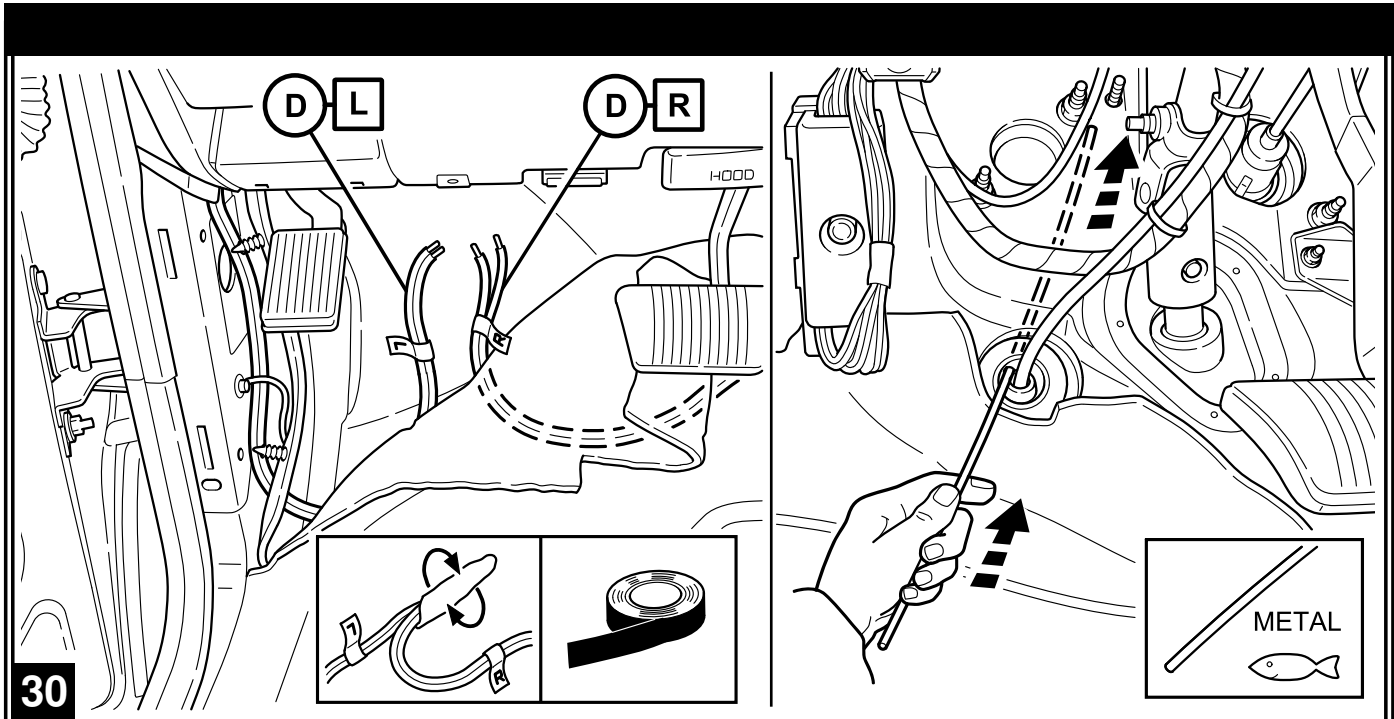
NOTE: Repeat Steps 16-27 for the right (passenger's side) mirror connector.

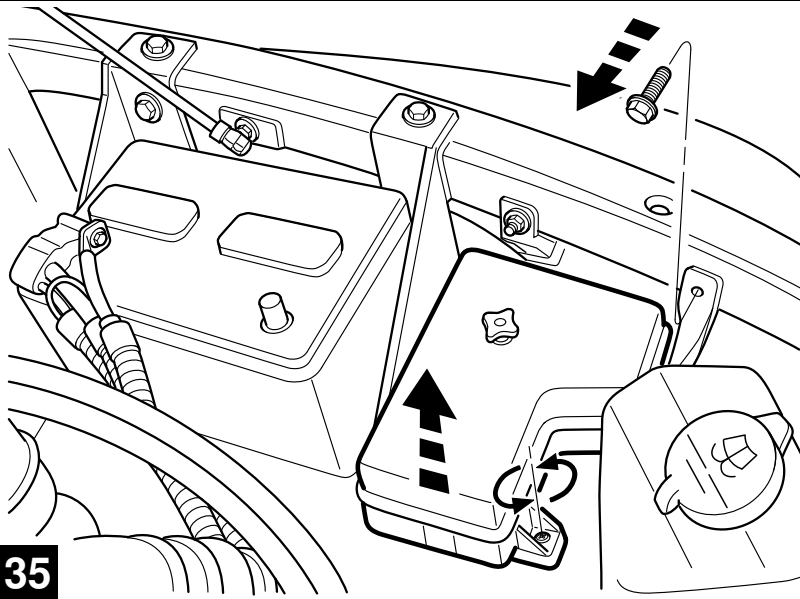


28

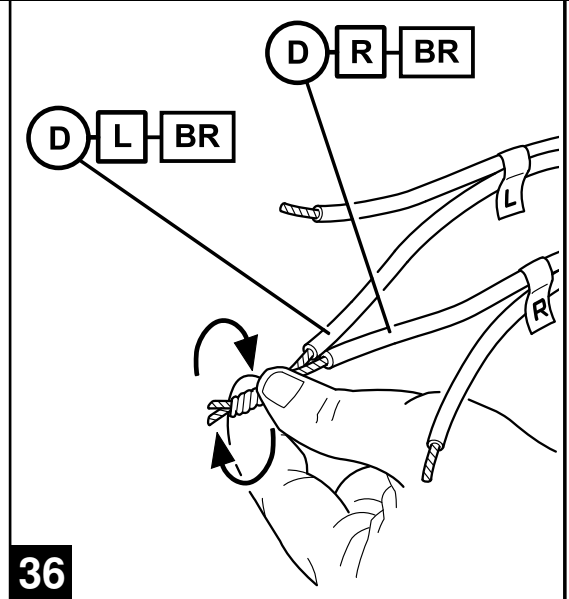


29



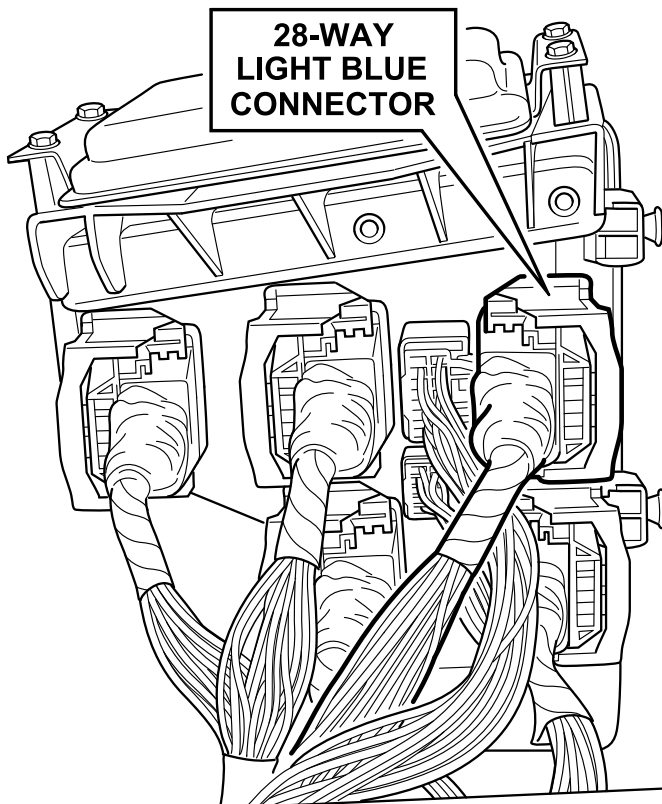


35



36

Center splice left and right mirror wires (brown) together to the 28-way connector wire according to model year. Use chart for proper wire color/cavity. See Step 38 for proper center splice.

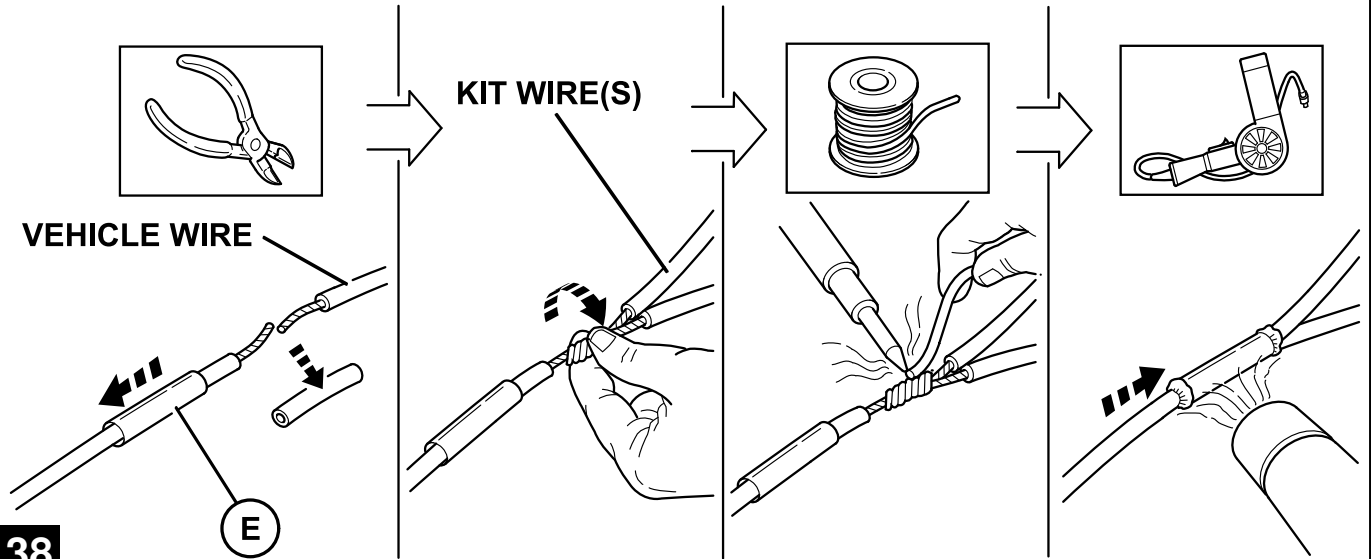


**28-WAY
LIGHT BLUE
CONNECTOR**

Fused Park Lamp Relay Output		
Model Year	Wire Color	Cavity
2002	BK/YL	10
2003	BK/YL	10
2004	WT/YL	19
2005	WT/YL	19

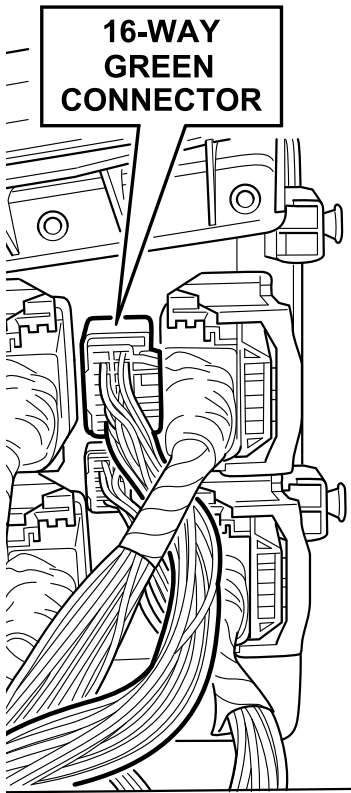
37

2002-2005 ONLY



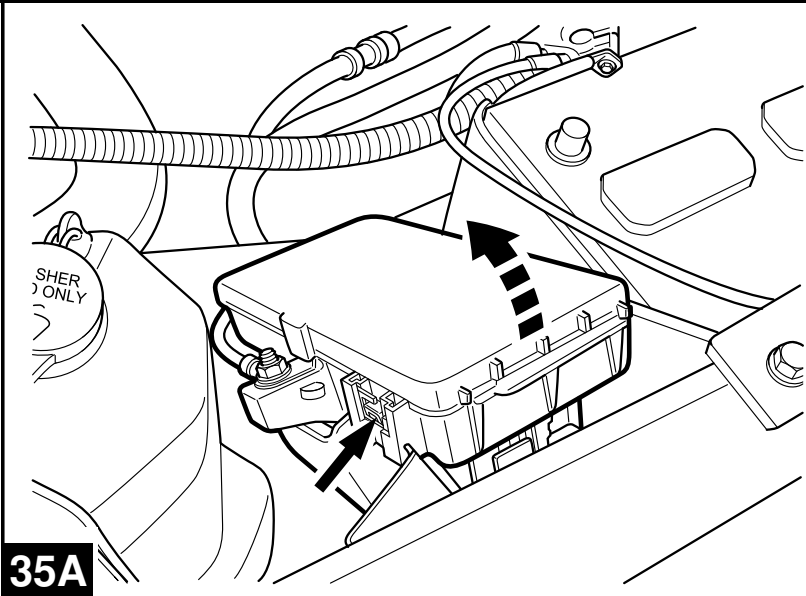
38

Center splice left and right mirror wires (green) separately to the 16-way connector wires according to model year. Use chart for proper wire color/cavity.

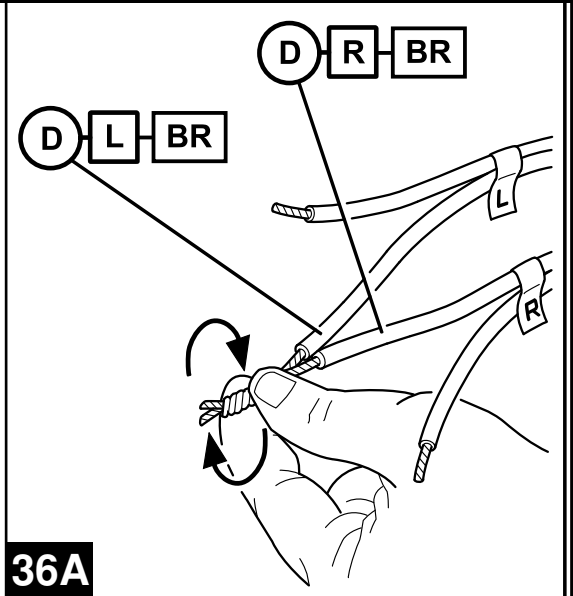


Model Year	Left Front Turn Lamp Driver		Right Front Turn Lamp Driver	
	Wire Color	Cavity	Wire Color	Cavity
2002	LG	16	LG/TN	19
2003	LG	16	LG/TN	19
2004	WT/LG	12	WT/TN	15
2005	WT/LG	12	WT/TN	15

39

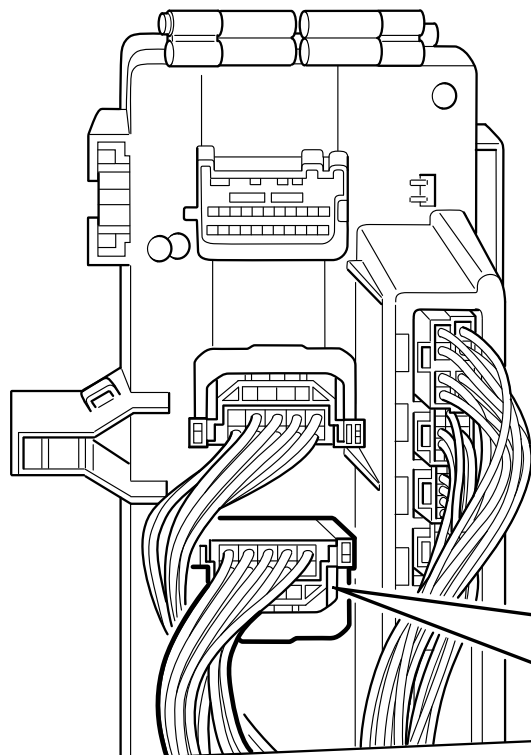


35A



36A

Center splice left and right mirror wires (brown) together to the 12-way connector wire. Use chart for proper wire color/cavity. See Step 38A for proper center splice.

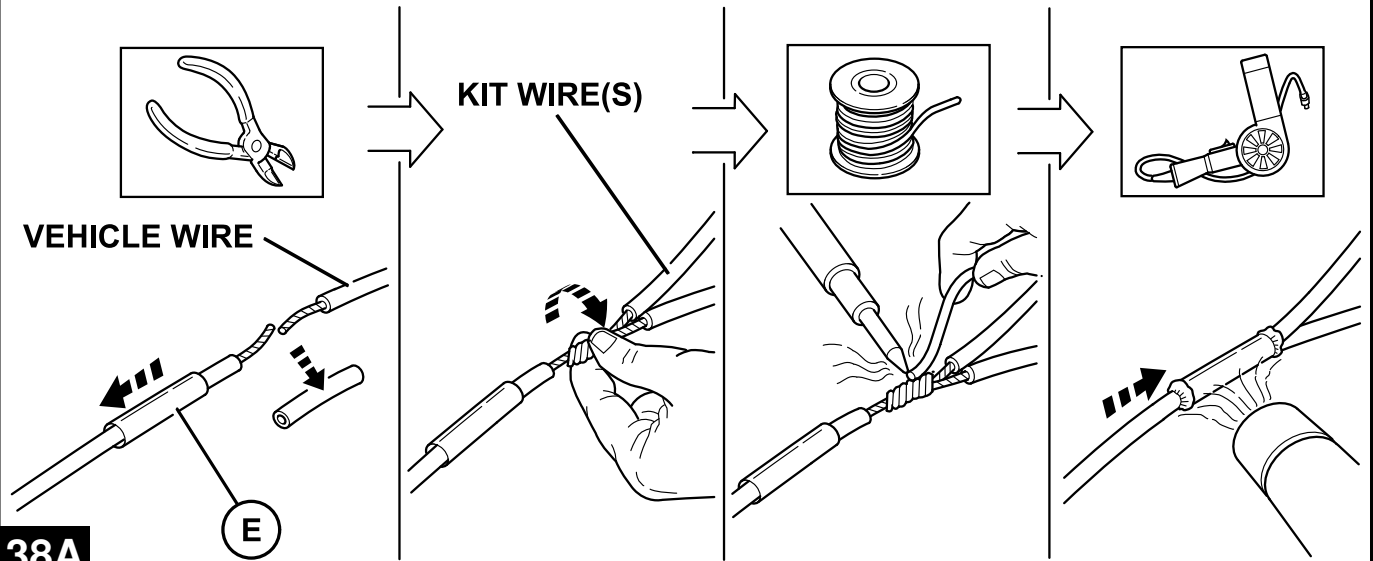


12-WAY
LIGHT BLUE
CONNECTOR

Fused Park Lamp Relay Output		
Model Year	Wire Color	Cavity
2006	WT/YL	8

37A

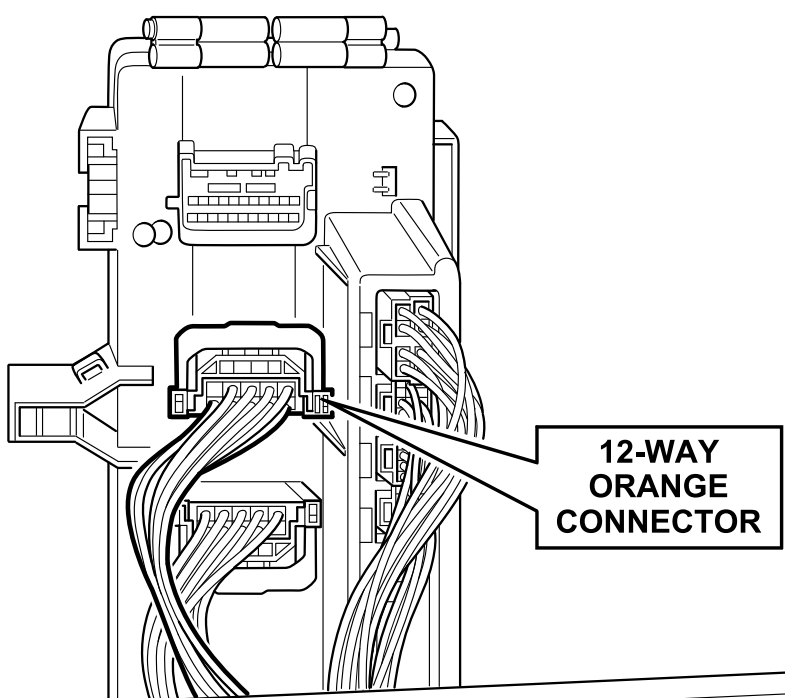
2006 ⇒



38A

Center splice left and right mirror wires (green) separately to the 12-way connector wires. Use chart for proper wire color/cavity.

	Left Front Turn Lamp Driver		Right Front Turn Lamp Driver	
Model Year	Wire Color	Cavity	Wire Color	Cavity
2006	WT/LG	1	WT/TN	2



39A