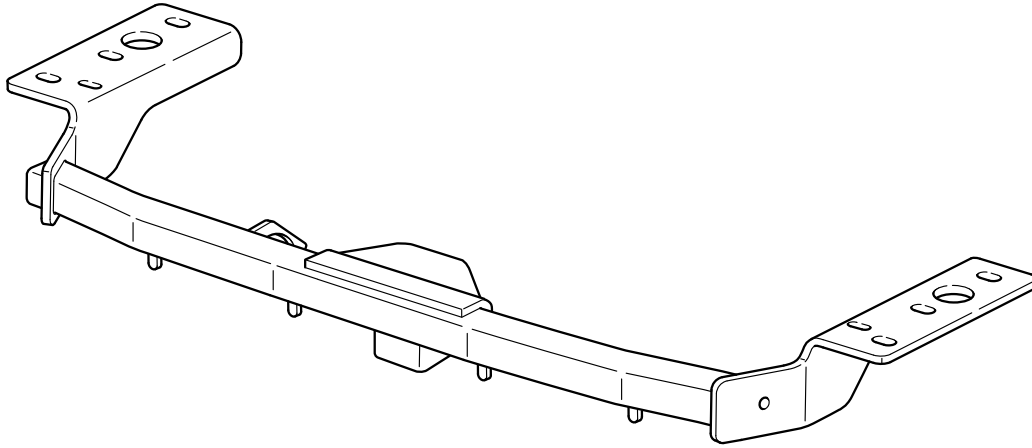




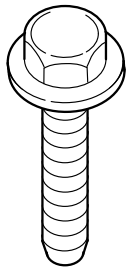
# CHRYSLER 300 / DODGE MAGNUM, CHARGER

## Trailer Hitch

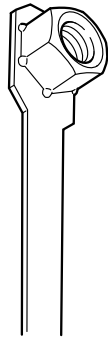
MOPAR®



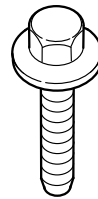
**A**



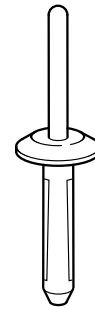
**B** 6x



**C** 3x

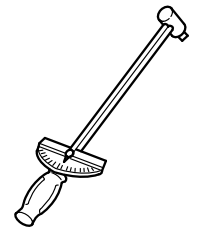
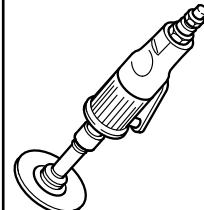
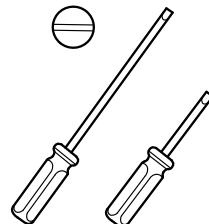
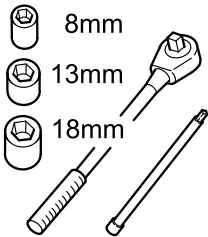
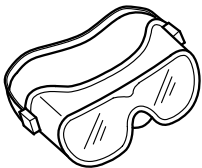


**D** 2x

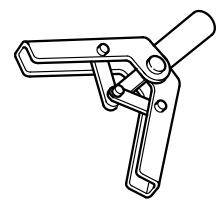
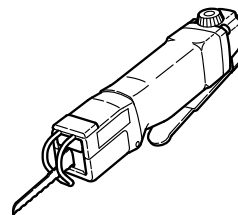
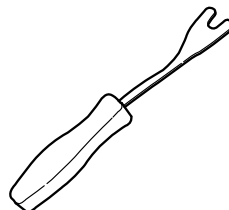
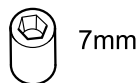
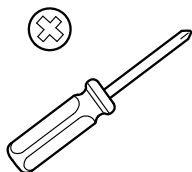


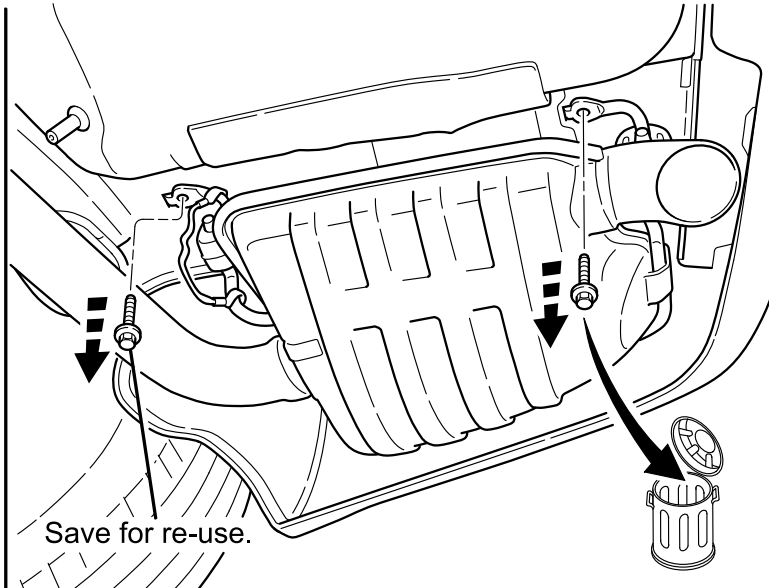
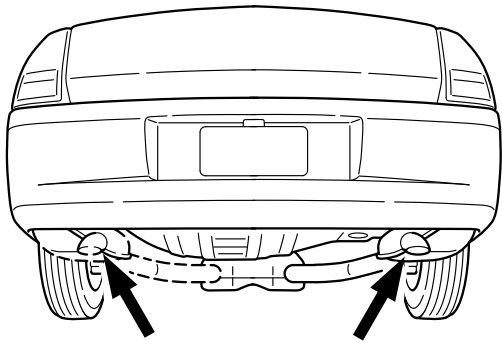
**E** 6x

CHARGER ONLY

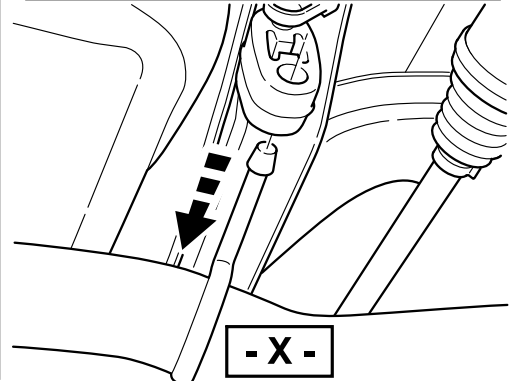
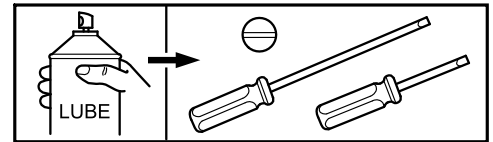
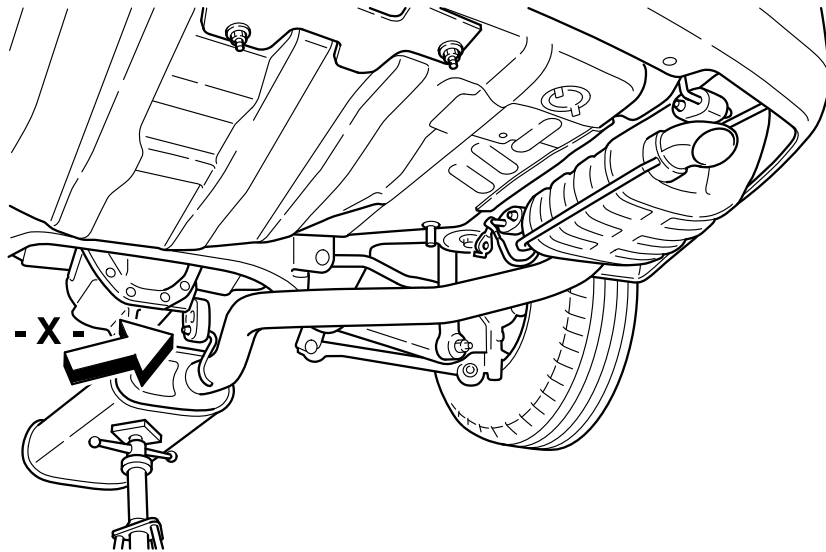


**CHARGER ONLY:**

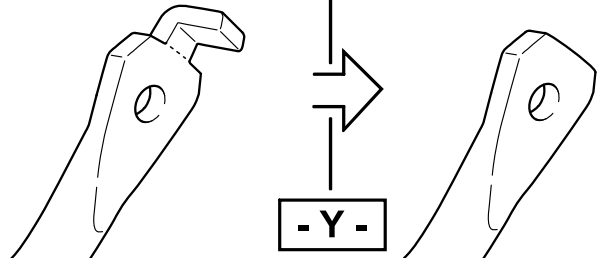
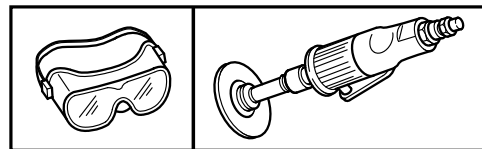
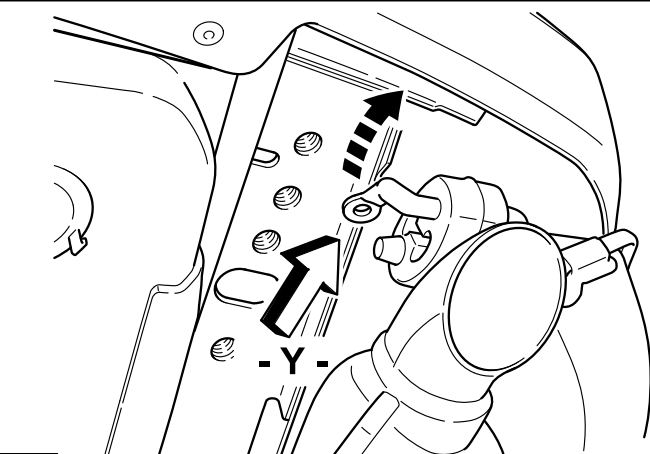




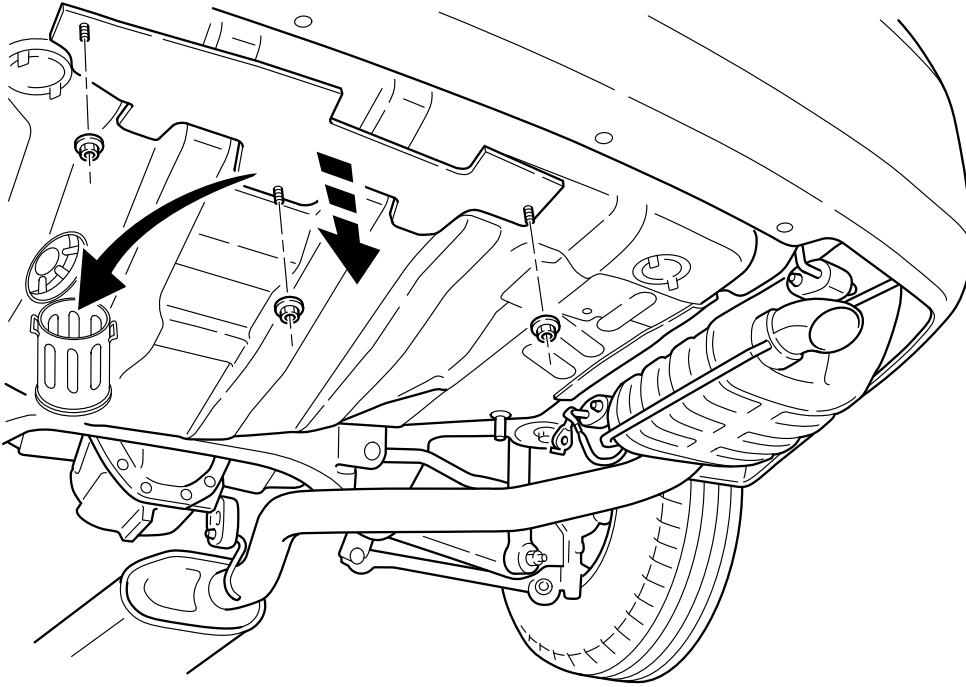
**1** Remove front and rear muffer support bracket bolts.



**2** Place a jack stand under catalytic converter. Remove exhaust pipe support(s) from hanger(s).



**3** Grind mounting tab(s) off of rear most muffer support bracket(s).

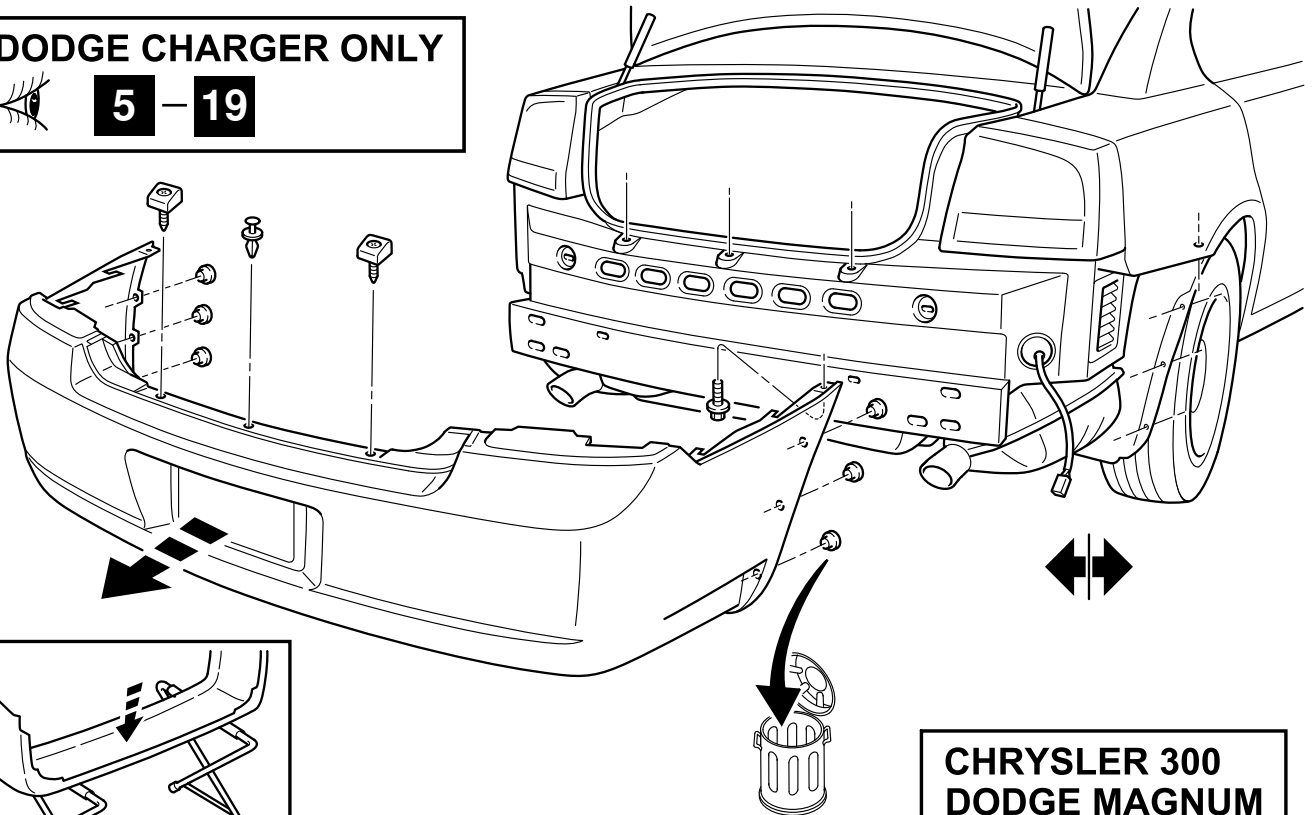


**4** Remove and discard rear air dam and fasteners.

**DODGE CHARGER ONLY**



**5 - 19**

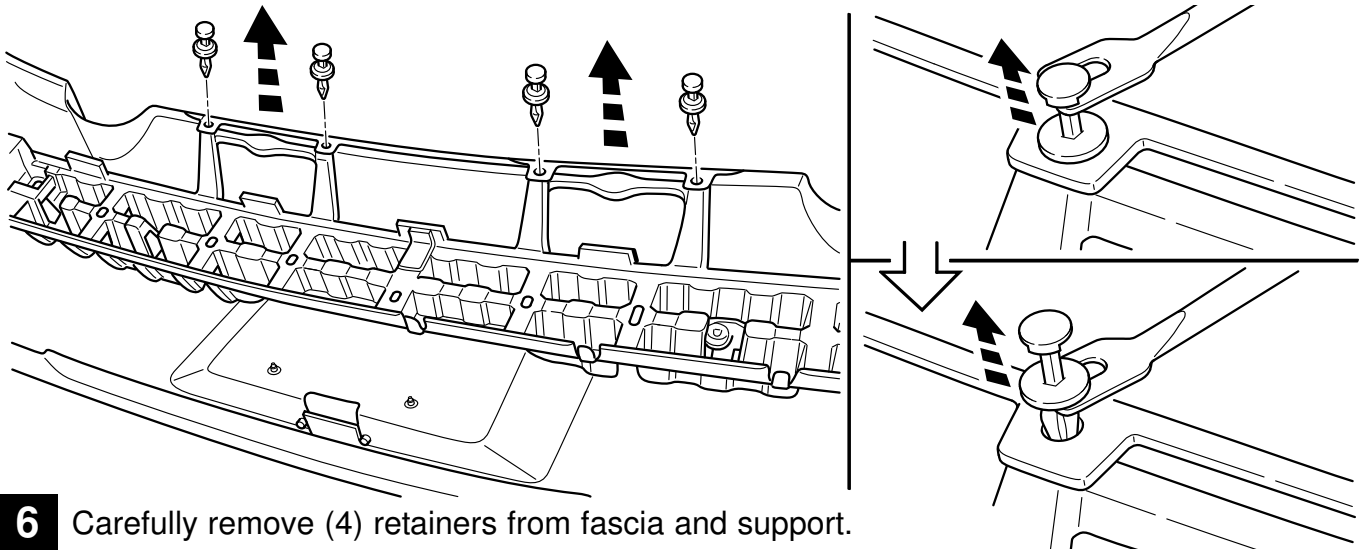


**CHRYSLER 300  
DODGE MAGNUM**

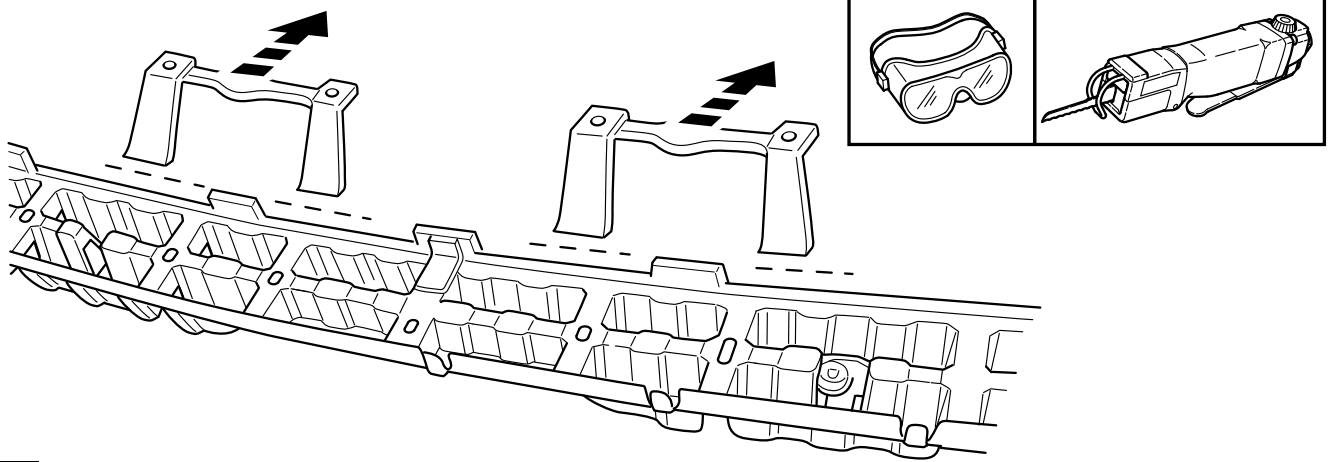


**8 - 16**

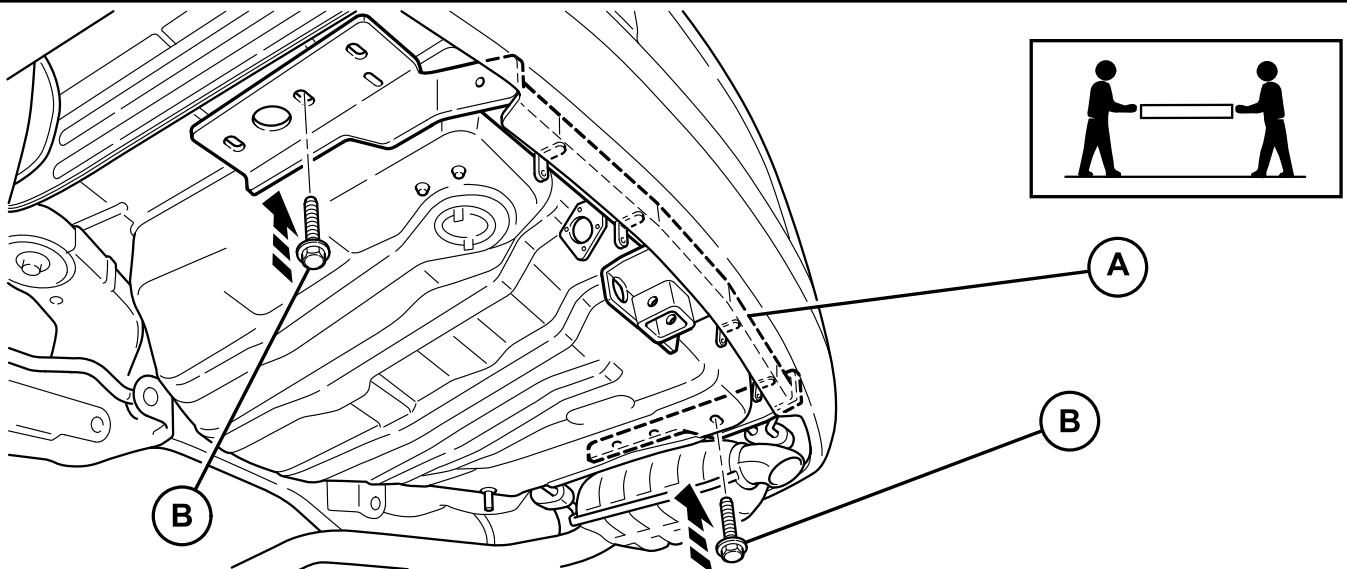
**5** Disconnect and remove rear fascia. Place on a protected surface.



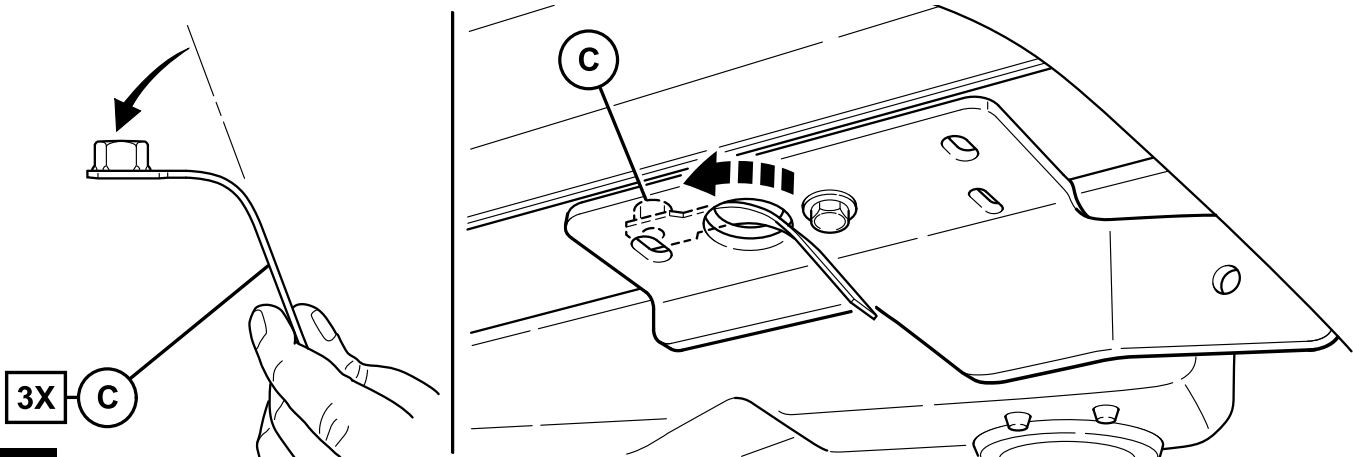
**6** Carefully remove (4) retainers from fascia and support.



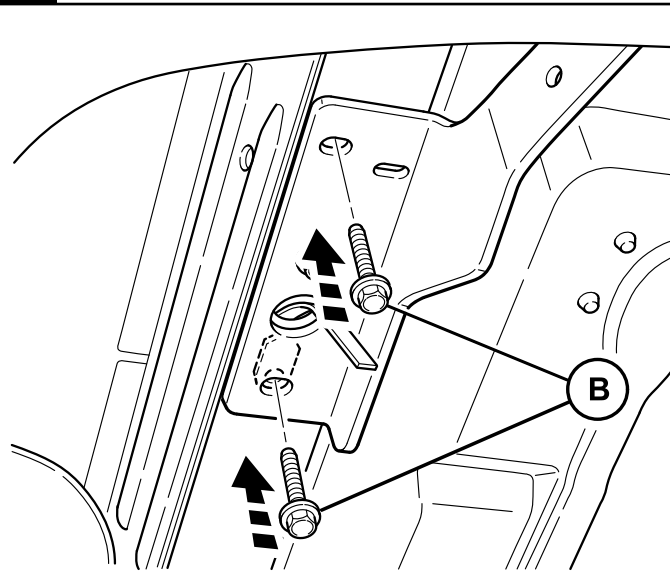
**7** Remove support from fascia and trim as shown.



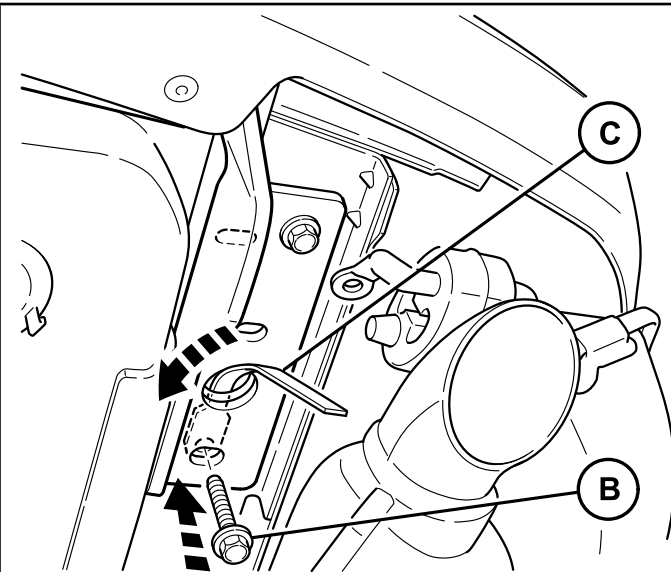
**8** Raise hitch assembly up to vehicle. Attach to frame rails with (2) bolts.



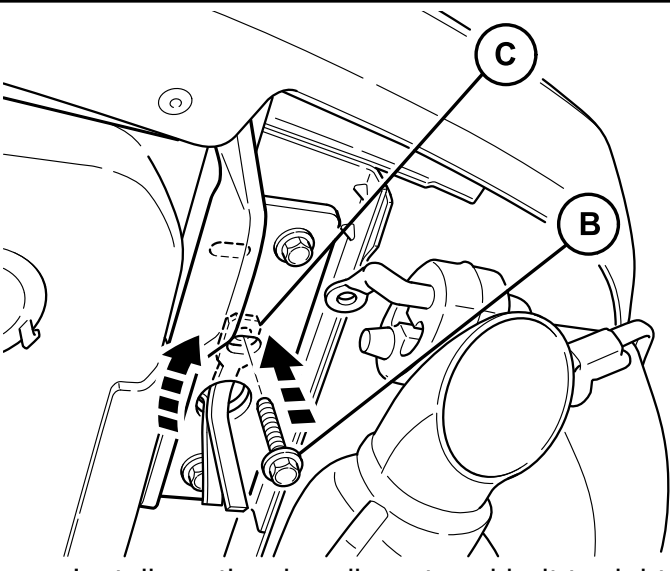
**9** Bend and insert handle nut through access holes in left hitch flange and frame rail.



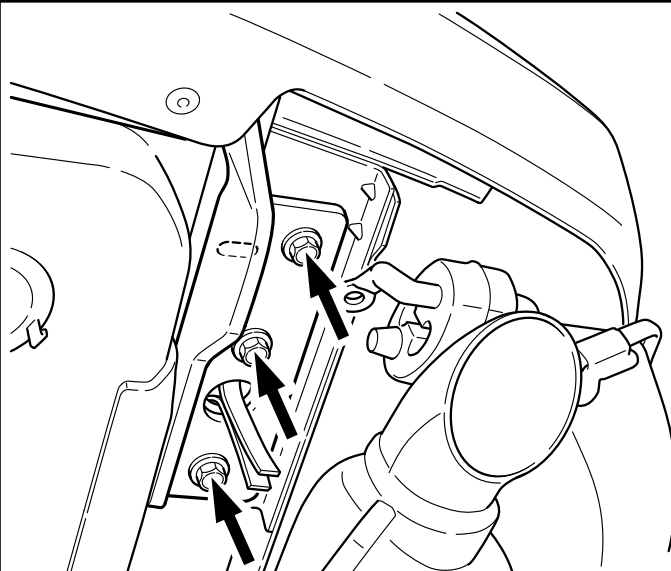
**10** Install (2) bolts to left side.



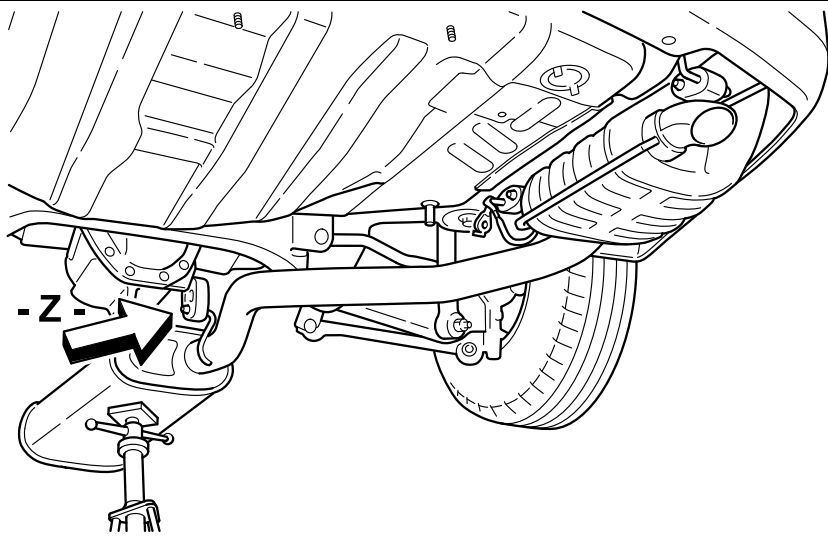
**11** Install handle nut and bolt to right side.



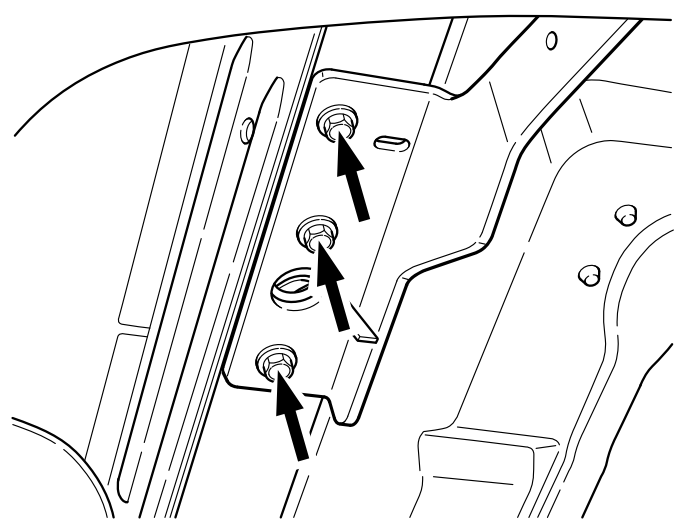
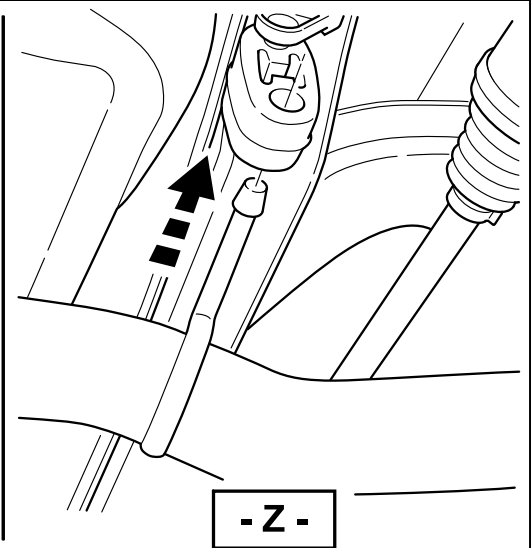
**12** Install another handle nut and bolt to right side.



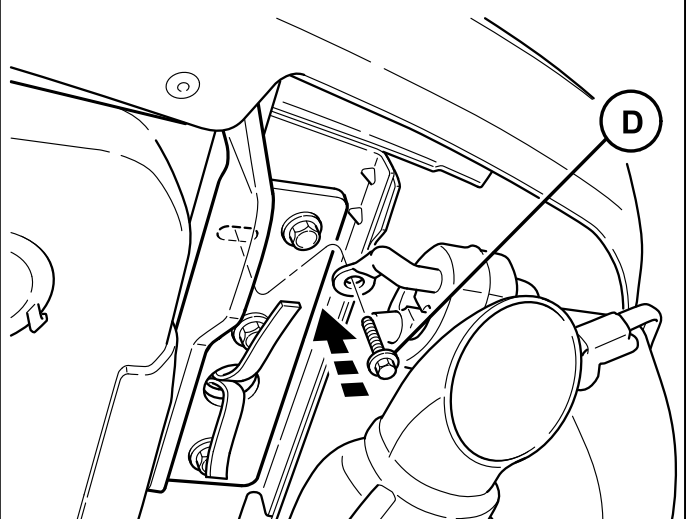
**13** Tighten bolts to 75 ft.-lbs. (101 N·m).



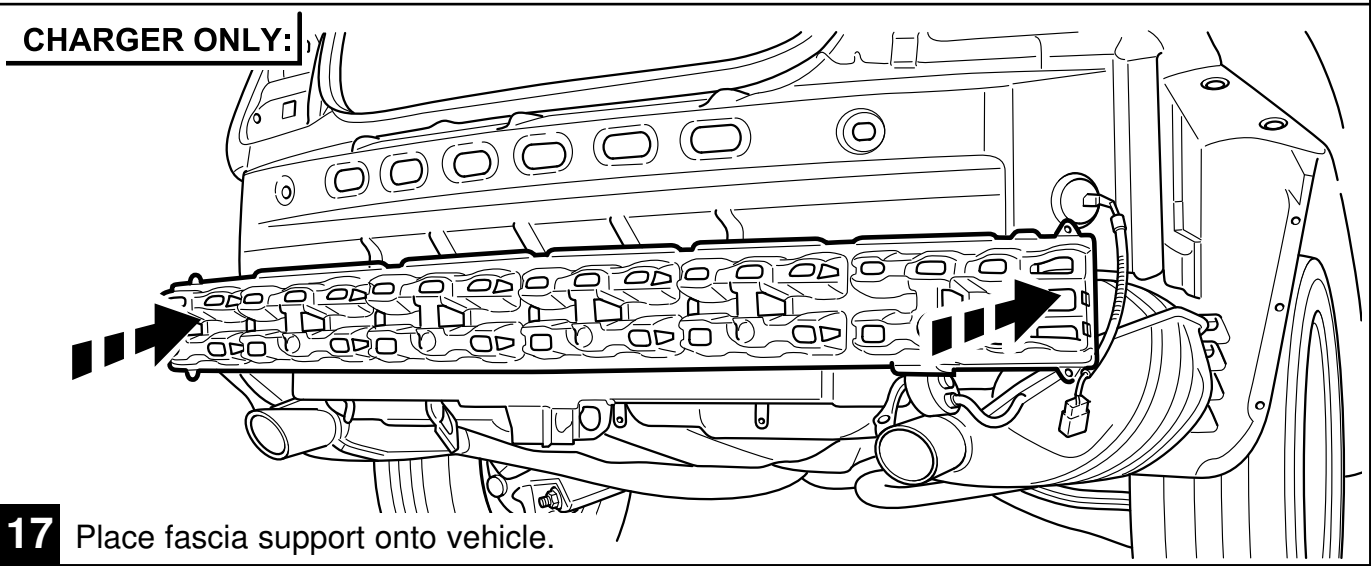
**14** Re-install exhaust pipe support(s) to hanger(s).



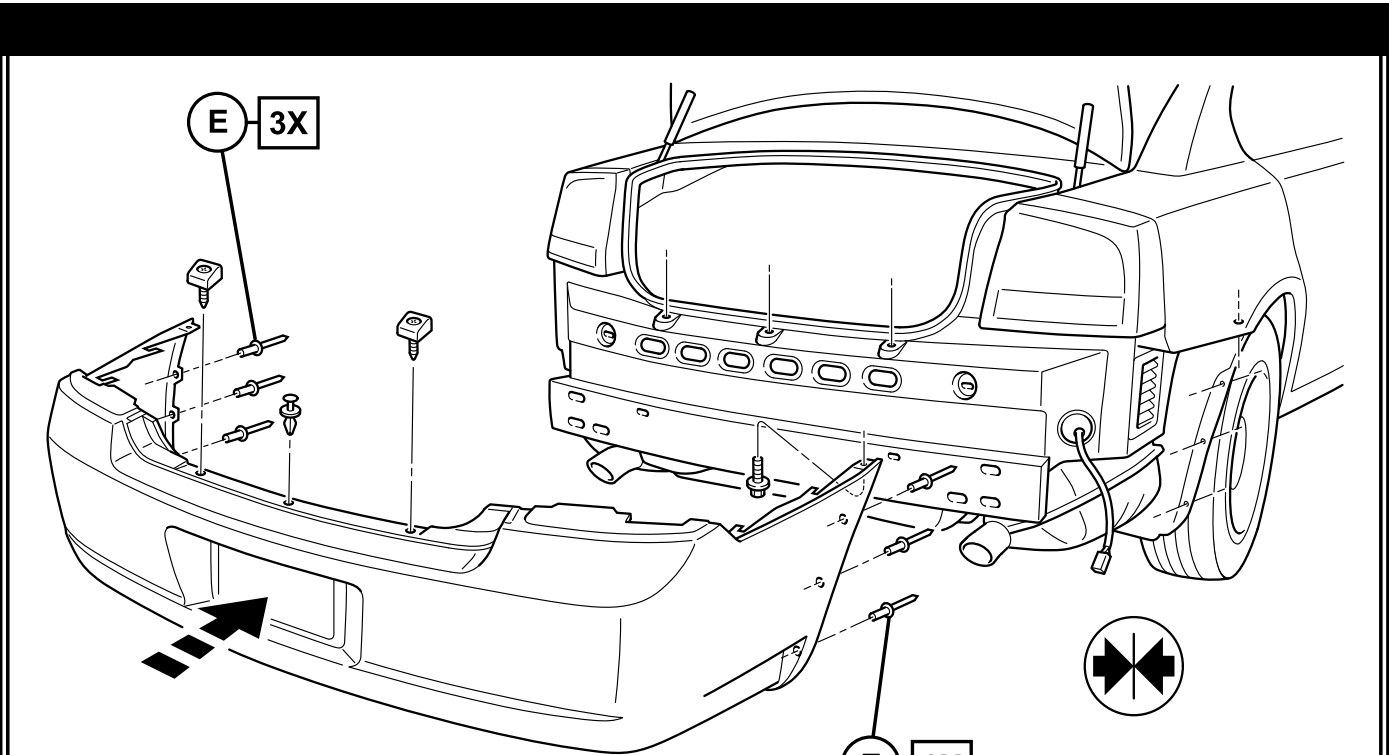
**15** Tighten bolts to 75 ft.-lbs. (101 N-m).



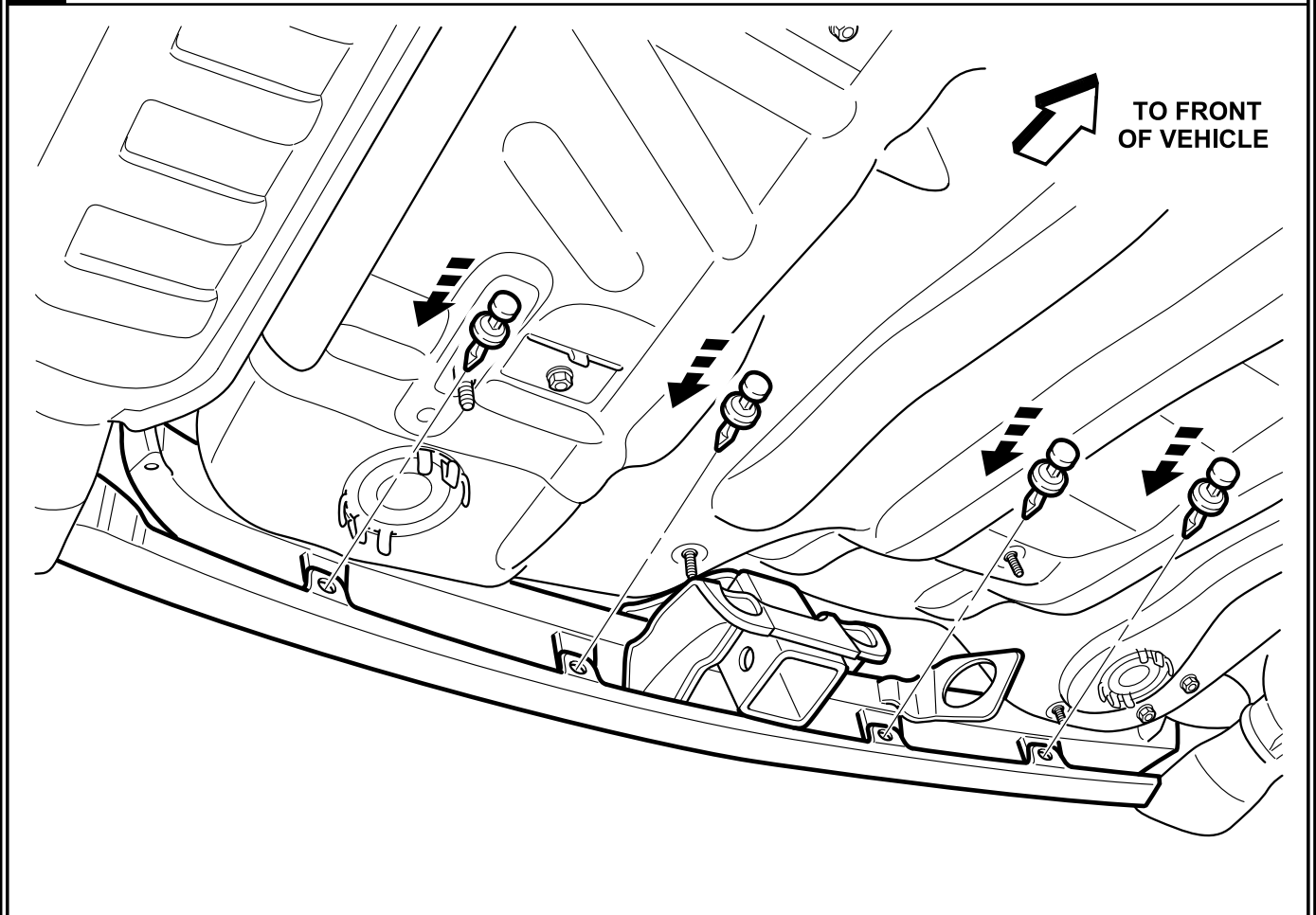
**16** Tighten bolts to 16 ft.-lbs. (21 N-m).



**17** Place fascia support onto vehicle.



**18** Re-connect and re-install rear fascia.



**19** Install (4) retainers (removed in Step 9) to tabs in rear fascia and trailer hitch.