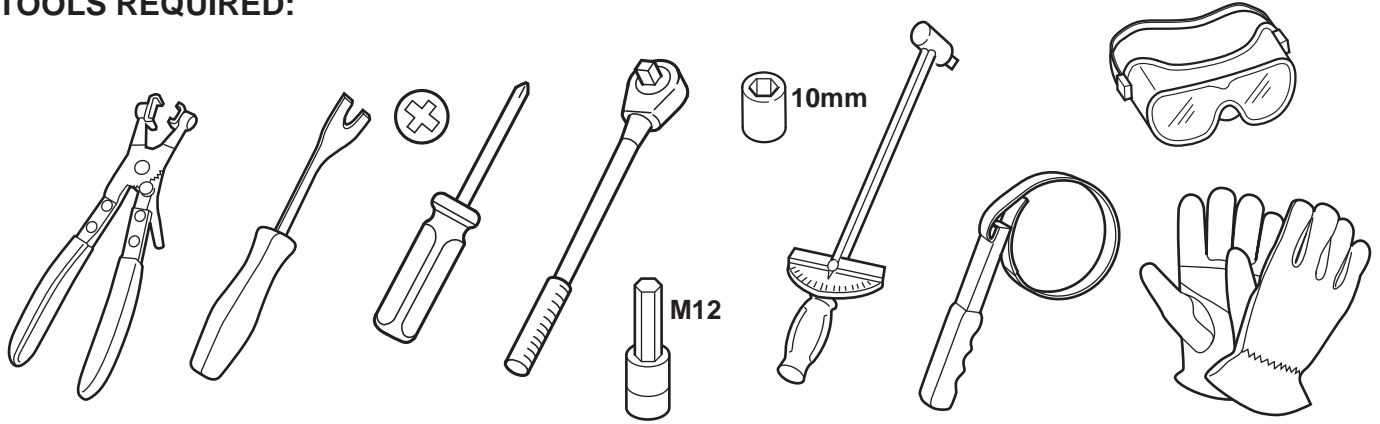




MOPAR®

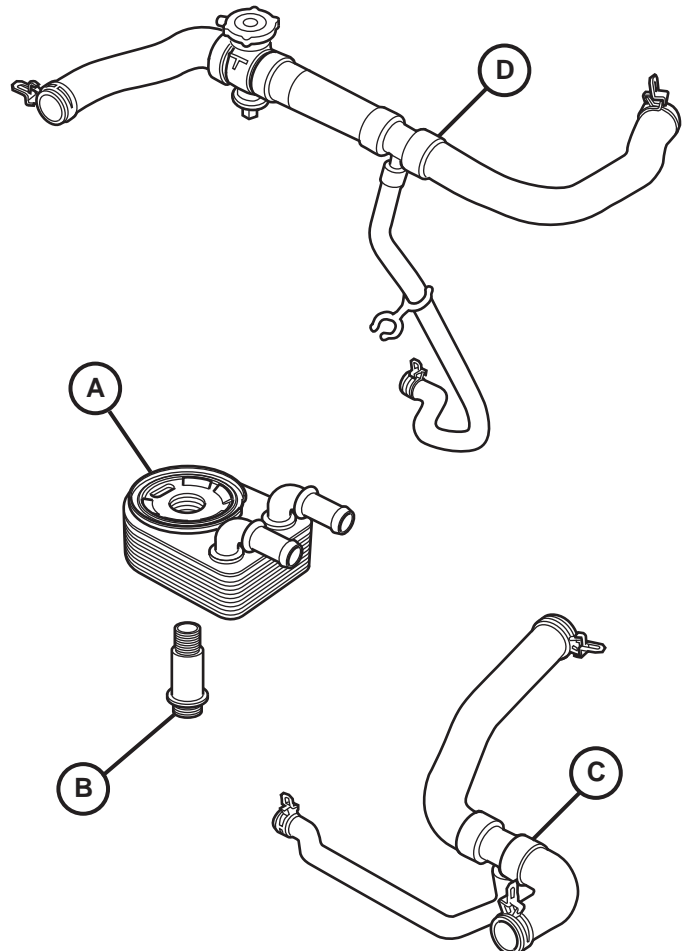
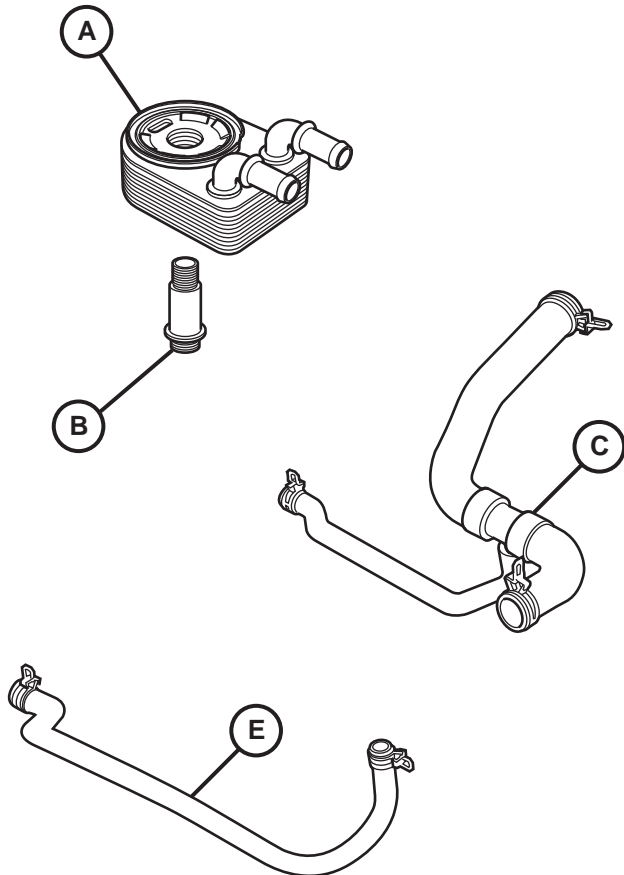
ENGINE OIL COOLER

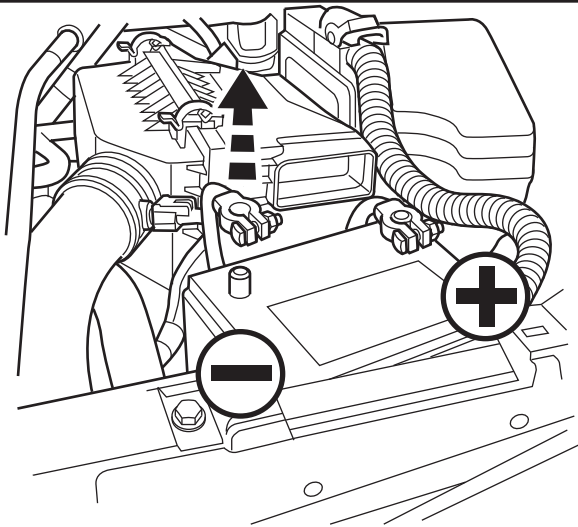
TOOLS REQUIRED:



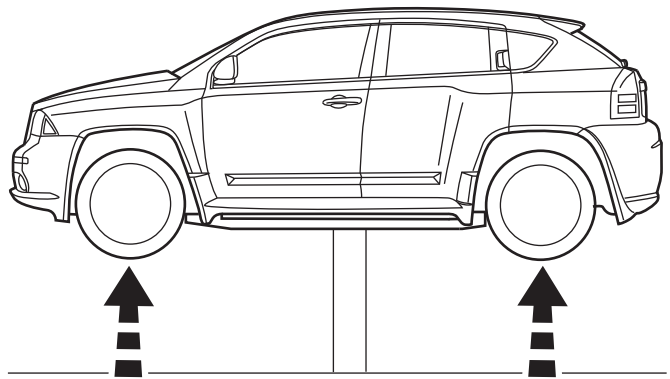
AUTOMATIC TRANSMISSION KIT 82210700

MANUAL TRANSMISSION KIT 82210701

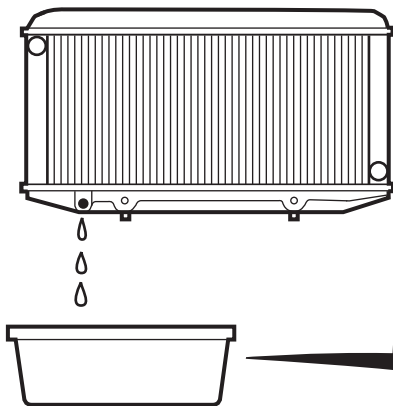




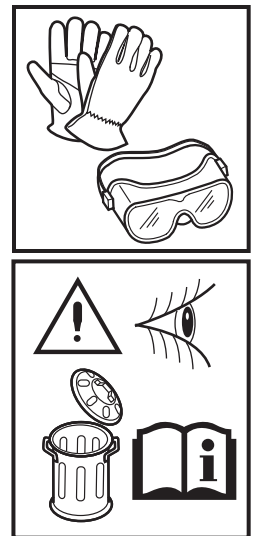
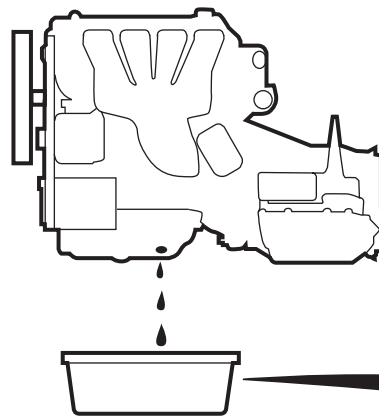
1 DISCONNECT BATTERY AT NEGATIVE POST.



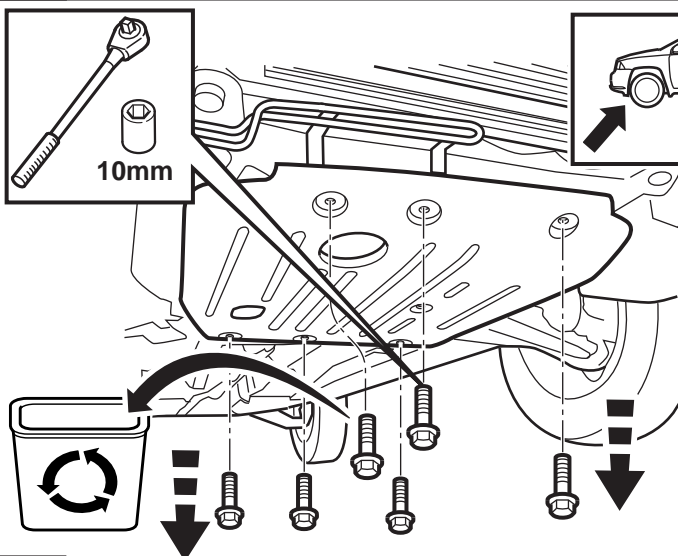
2 RAISE VEHICLE TO APPROPRIATE WORKING HEIGHT ON HOIST.



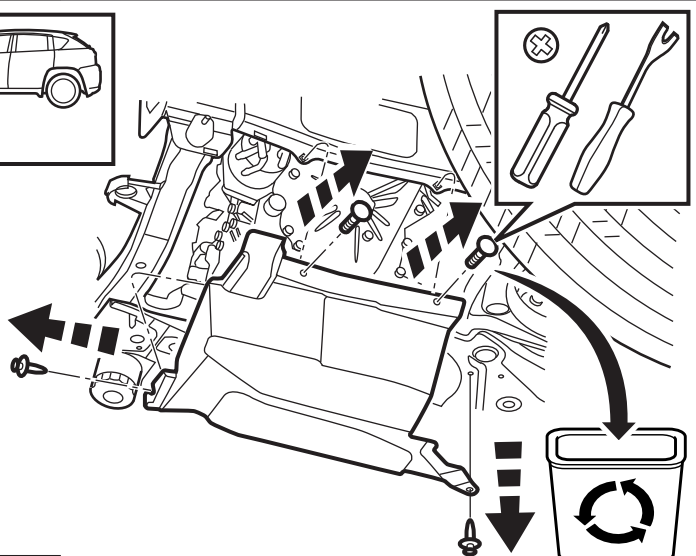
3 DRAIN ENGINE COOLANT.



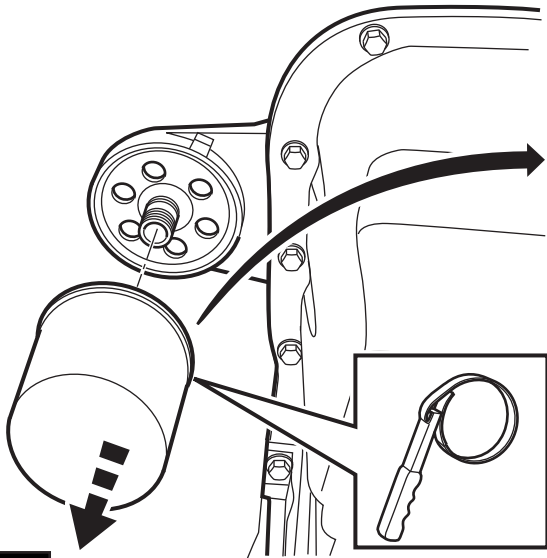
4 DRAIN ENGINE OIL.



5 REMOVE (6) SKID PLATE BOLTS.



6 REMOVE LEFT SIDE SPLASH GUARD.

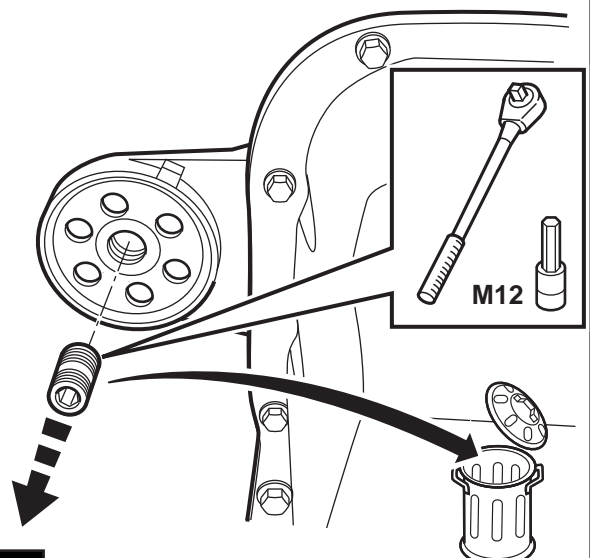


7 REMOVE OIL FILTER.

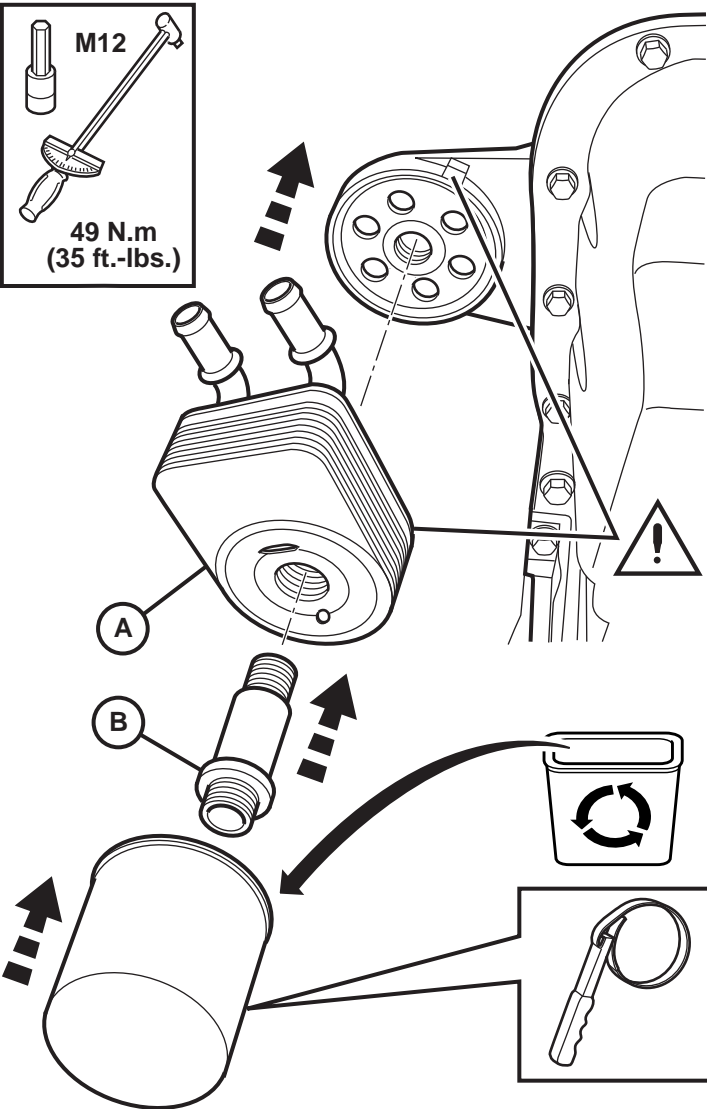
OVER
3 MONTHS
OR
6,000 MILES



UNDER
3 MONTHS
OR UNDER
6,000 MILES

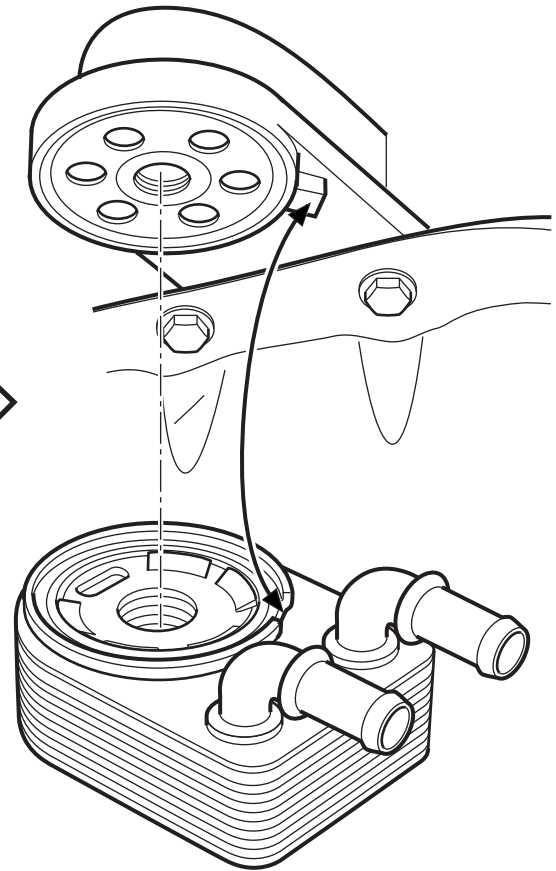


8 REMOVE OIL FILTER INSERT USING A M12 HEX KEY AND DISCARD.



9 INSTALL OIL COOLER "A" SLIDING NEW INSERT "B" THROUGH OIL COOLER OPENING, TORQUE TO 49 N.m (35 ft.-lbs.) INSTALL OIL FILTER.

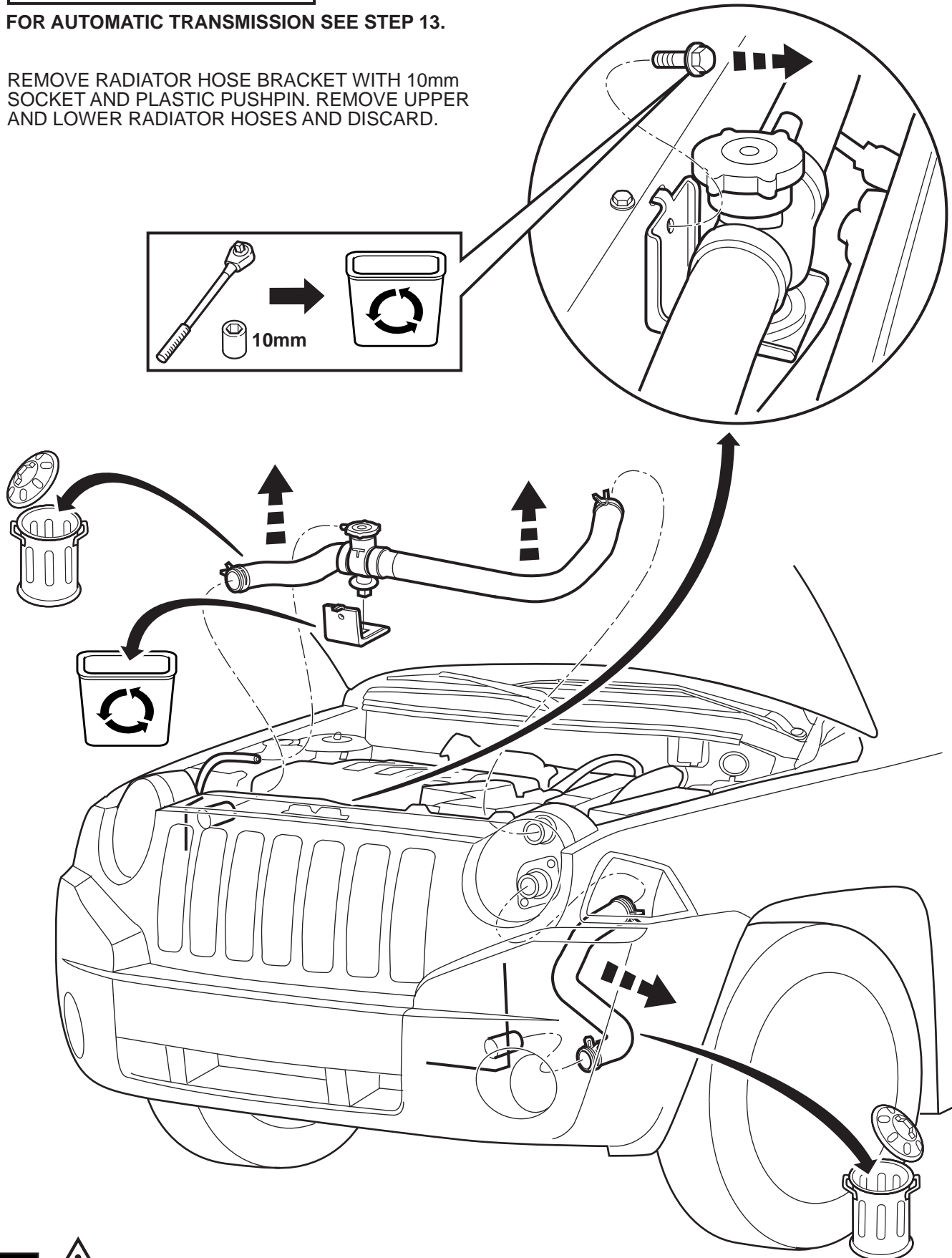
! ENGINE OIL COOLER MUST BE ROTATED AND LOCKED IN PLACE AS SHOWN.



MANUAL TRANSMISSION ONLY

FOR AUTOMATIC TRANSMISSION SEE STEP 13.

REMOVE RADIATOR HOSE BRACKET WITH 10mm SOCKET AND PLASTIC PUSHPIN. REMOVE UPPER AND LOWER RADIATOR HOSES AND DISCARD.



10

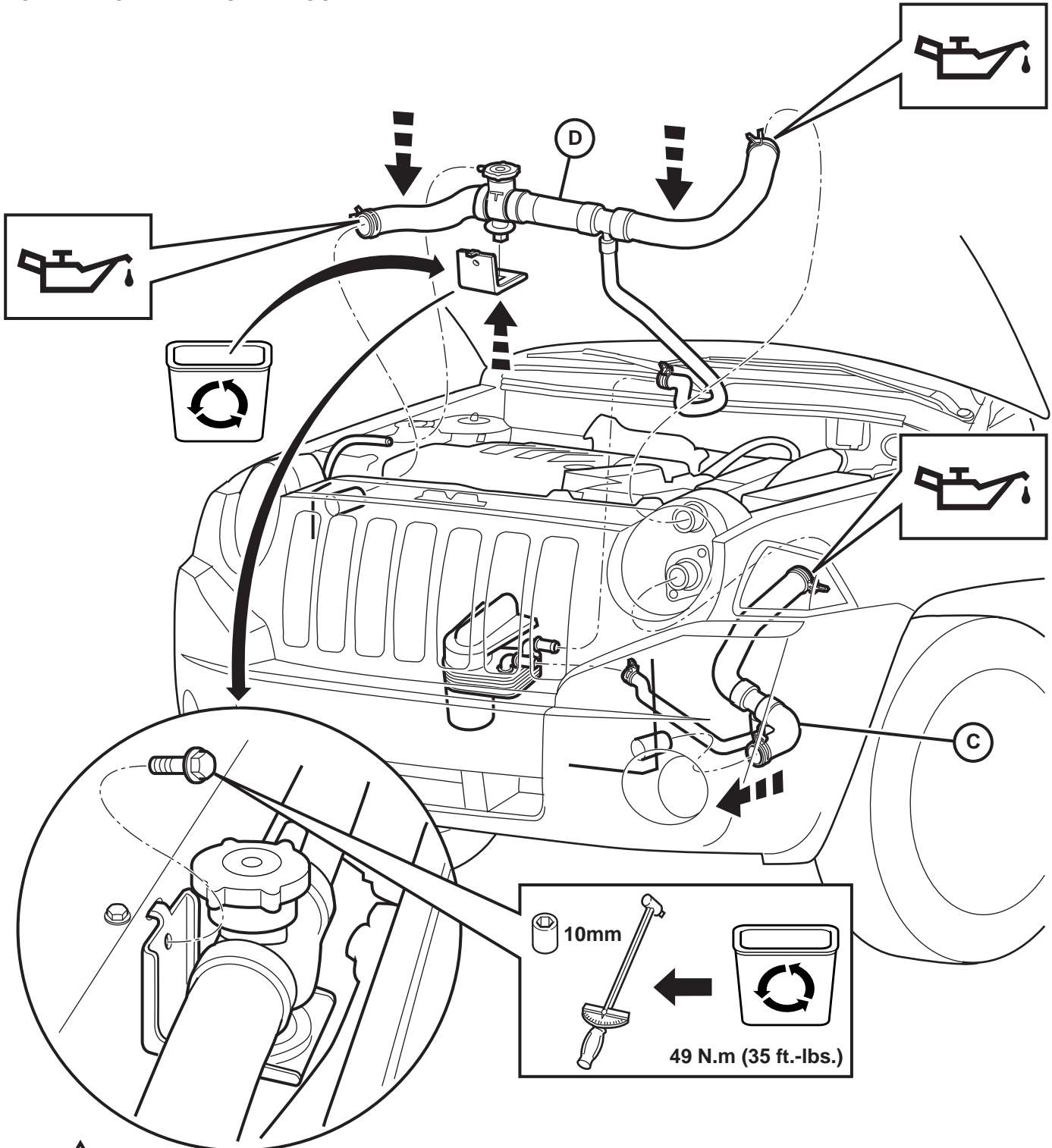


FOLLOW SAME ROUTING PROCEDURE FOR INSTALLATION AS REMOVAL OF COMPONENTS.

MANUAL TRANSMISSION ONLY

FOR AUTOMATIC TRANSMISSION SEE STEP 13.

INSTALL PUSH GROMMET IN RADIATOR HOSE ASSEMBLY "D" INTO BODY BRACKET AND REINSTALL BRACKET WITH 10mm BOLT. LUBRICATE INSIDE OF EACH END OF RADIATOR HOSES. INSTALL NEW UPPER RADIATOR HOSE "D" TO RADIATOR AND ENGINE BLOCK AND CONNECT BOTH LARGE ENDS WITH THE CLAMPS. NEXT INSTALL NEW LOWER RADIATOR HOSE "C" AND CONNECT BOTH LARGE ENDS WITH CLAMPS TO RADIATOR AND ENGINE BLOCK.



11

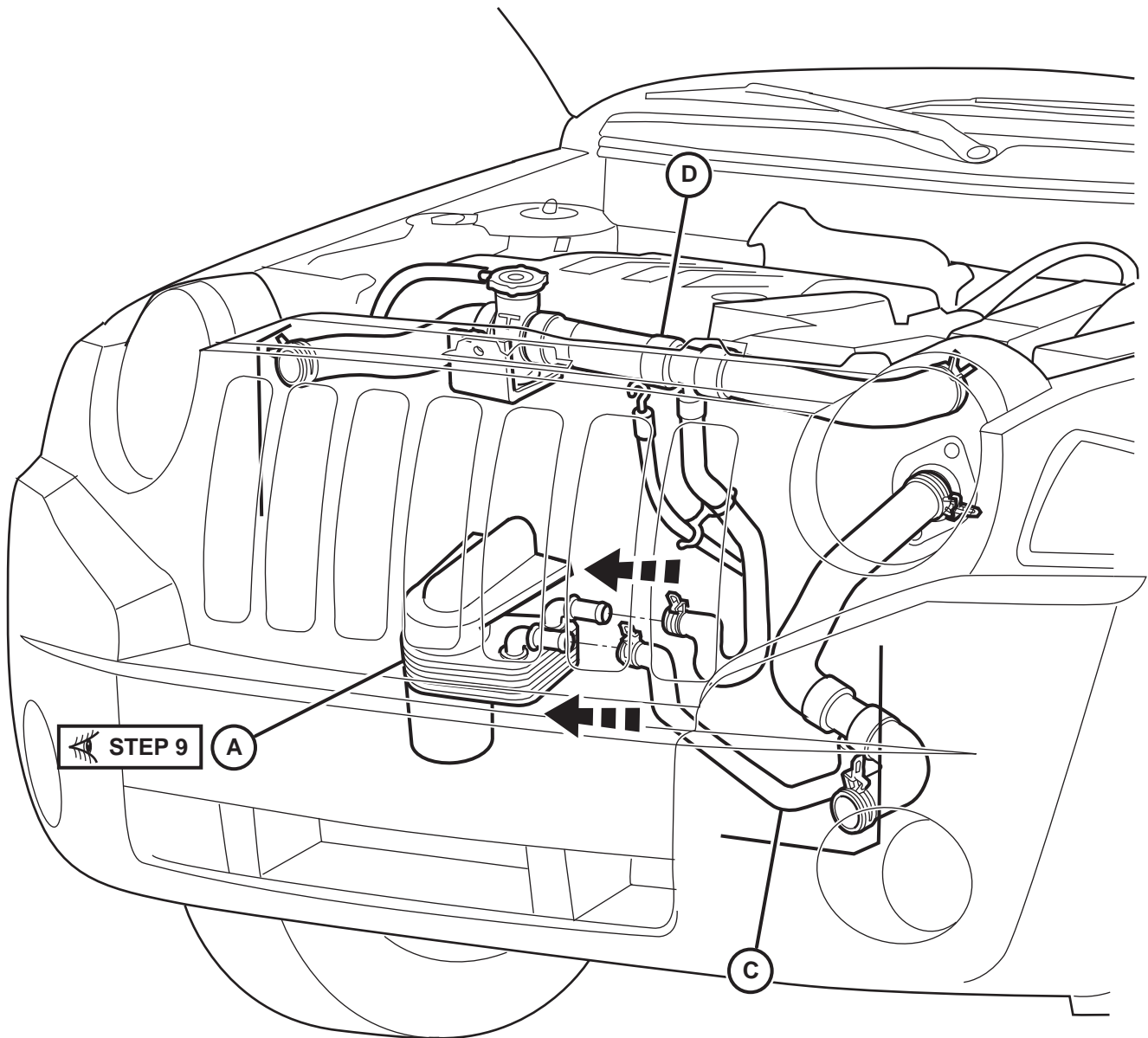


FOLLOW SAME ROUTING PROCEDURE FOR INSTALLATION AS REMOVAL OF COMPONENTS.

MANUAL TRANSMISSION ONLY

FOR AUTOMATIC TRANSMISSION SEE STEP 13.

CONNECT SMALLER END OF UPPER RADIATOR HOSE "D" TO OILCOOLER. CONNECT SMALLER END OF LOWER RADIATOR HOSE "C" TO OIL COOLER. SECURE SMALL END OF UPPER RADIATOR HOSE WITH CLIP TO TRANSMISSION FLUID DIPSTICK SHAFT.



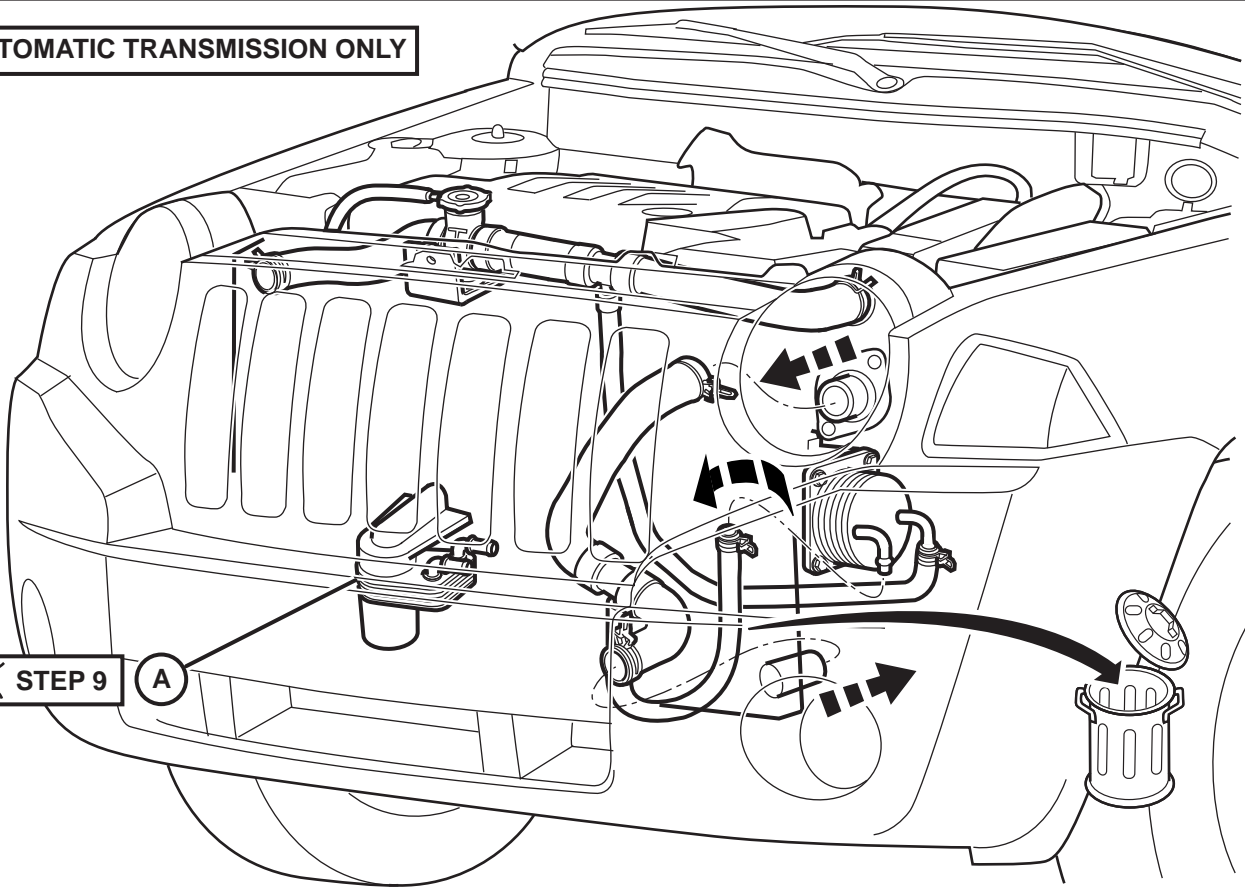
12



FOLLOW SAME ROUTING PROCEDURE FOR INSTALLATION AS REMOVAL OF COMPONENTS.

AUTOMATIC TRANSMISSION ONLY

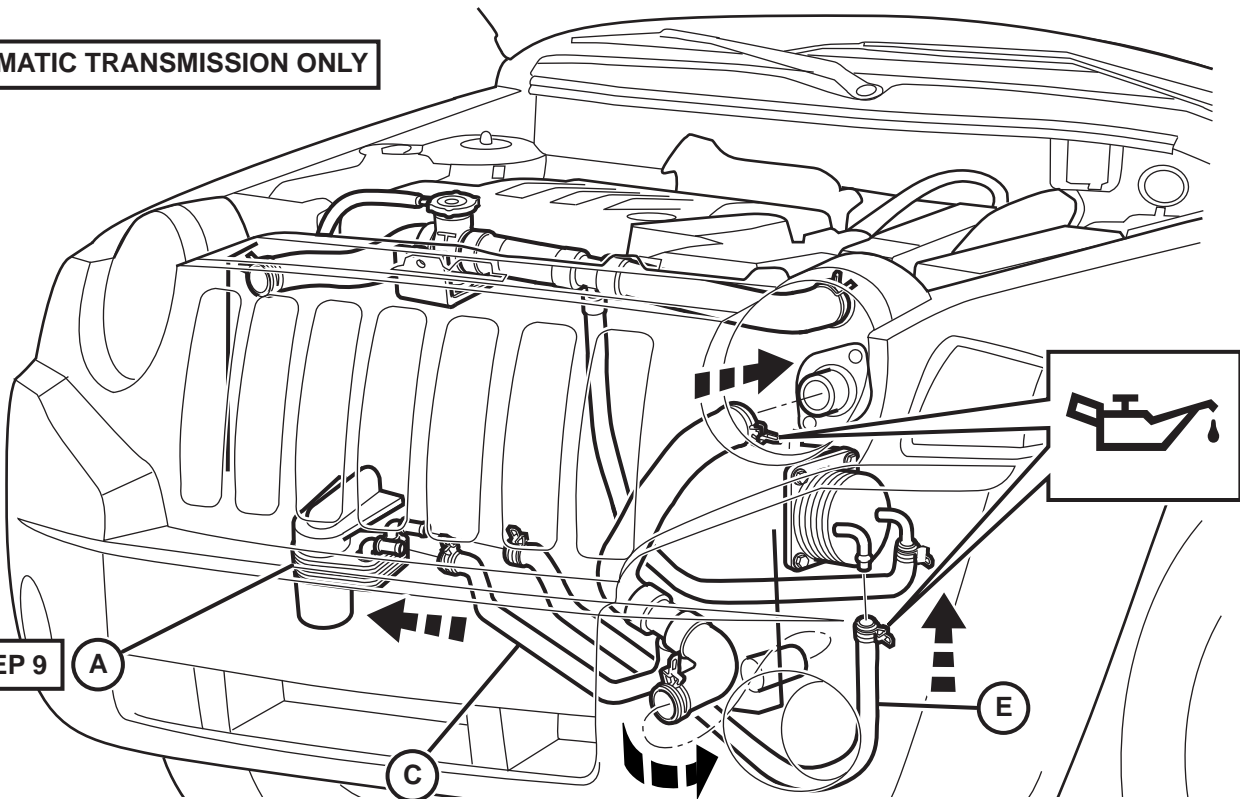
STEP 9 (A)



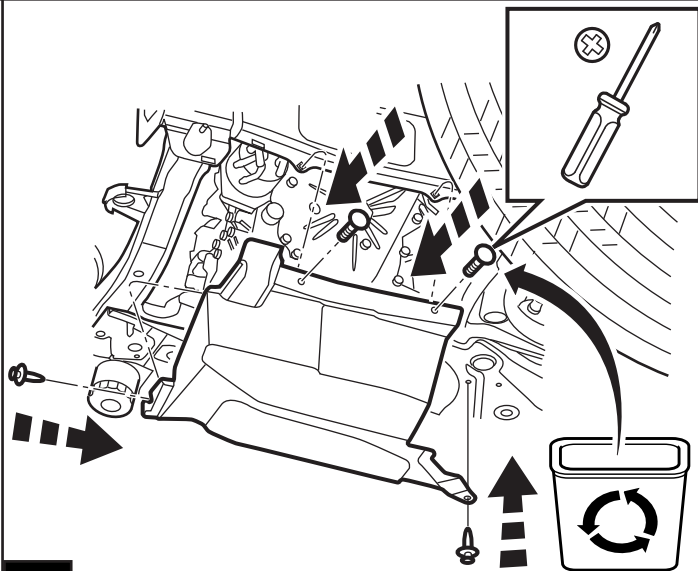
13 DISCONNECT LOWER RADIATOR HOSE AND SMALL HOSE ATTACHED TO CVT UNIT AND DISCARD.

AUTOMATIC TRANSMISSION ONLY

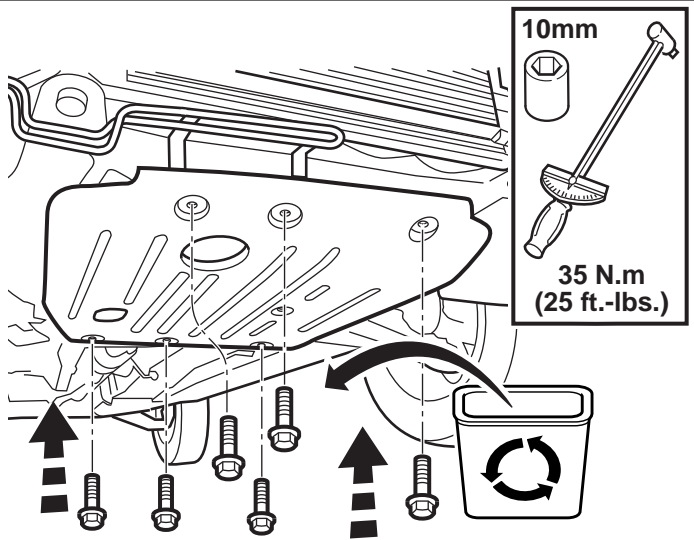
STEP 9 (A)



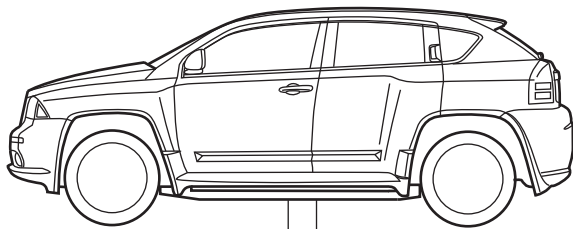
14 LUBRICATE INSIDE OF EACH END OF NEW RADIATOR HOSES. INSTALL NEW LOWER RADIATOR HOSE "C" AND CONNECT BOTH LARGE ENDS WITH CLAMPS TO RADIATOR AND ENGINE BLOCK. CONNECT SMALLER END TO OIL COOLER "A". INSTALL SMALL HOSE "E" TO CVT UNIT AND OIL COOLER.



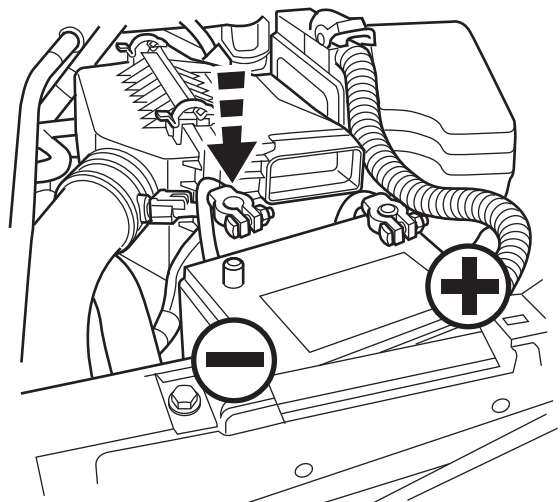
15 RE-INSTALL DRIVER'S SIDE SPLASH SHIELD.



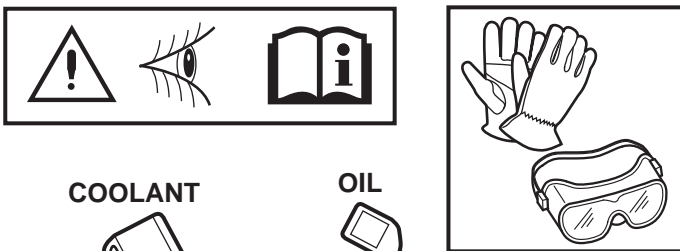
16 RE-INSTALL SKID PLATE WITH (6) BOLTS TORQUE TO 35 N.m (25 ft.-lbs.).



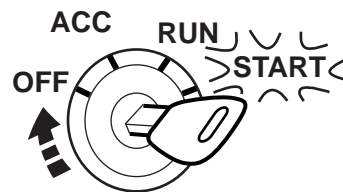
17 AFTER ALL CONNECTIONS ARE MADE, LOWER VEHICLE.



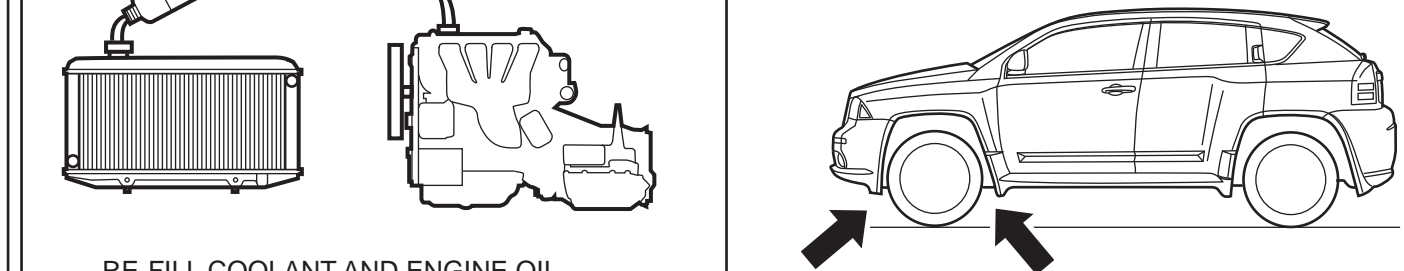
18 RECONNECT BATTERY AT NEGATIVE POST.



19 RE-FILL COOLANT AND ENGINE OIL, SEE OWNER'S MANUAL FOR PROPER SPECIFICATIONS.

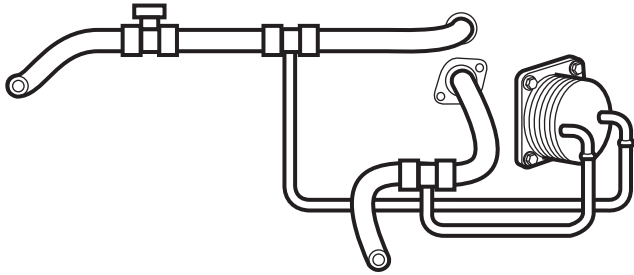


20 START VEHICLE AND CHECK FOR LEAKS.

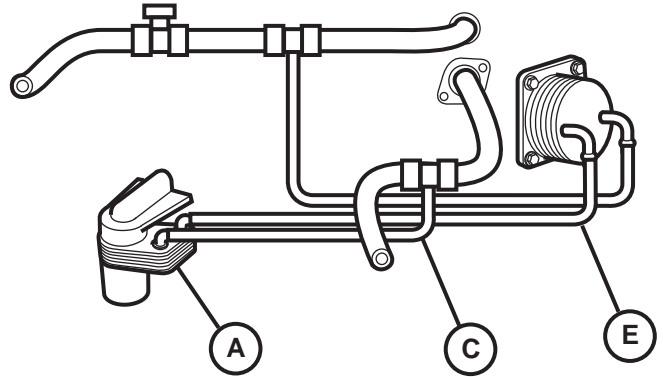


**AUTOMATIC TRANSMISSION KIT
82210700**

BEFORE OIL COOLER INSTALLATION

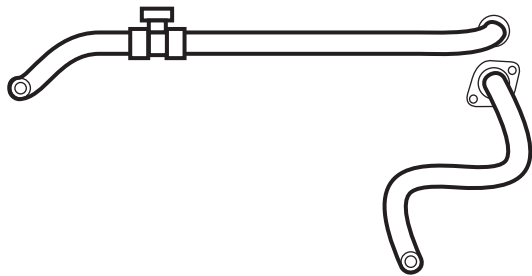


AFTER OIL COOLER INSTALLATION



**MANUAL TRANSMISSION KIT
82210701**

BEFORE OIL COOLER INSTALLATION



AFTER OIL COOLER INSTALLATION

