

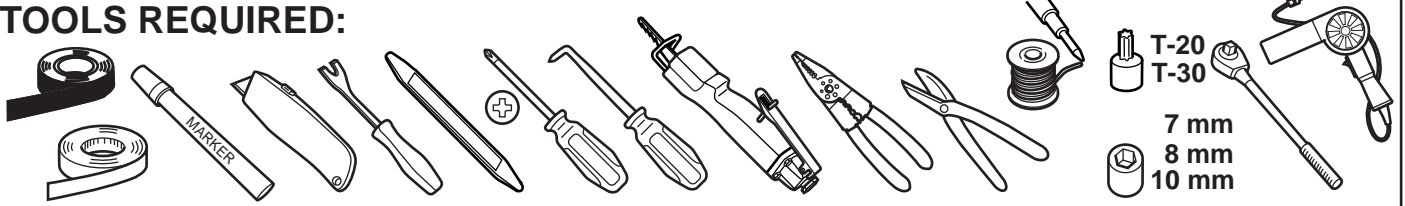


RT MINIVAN

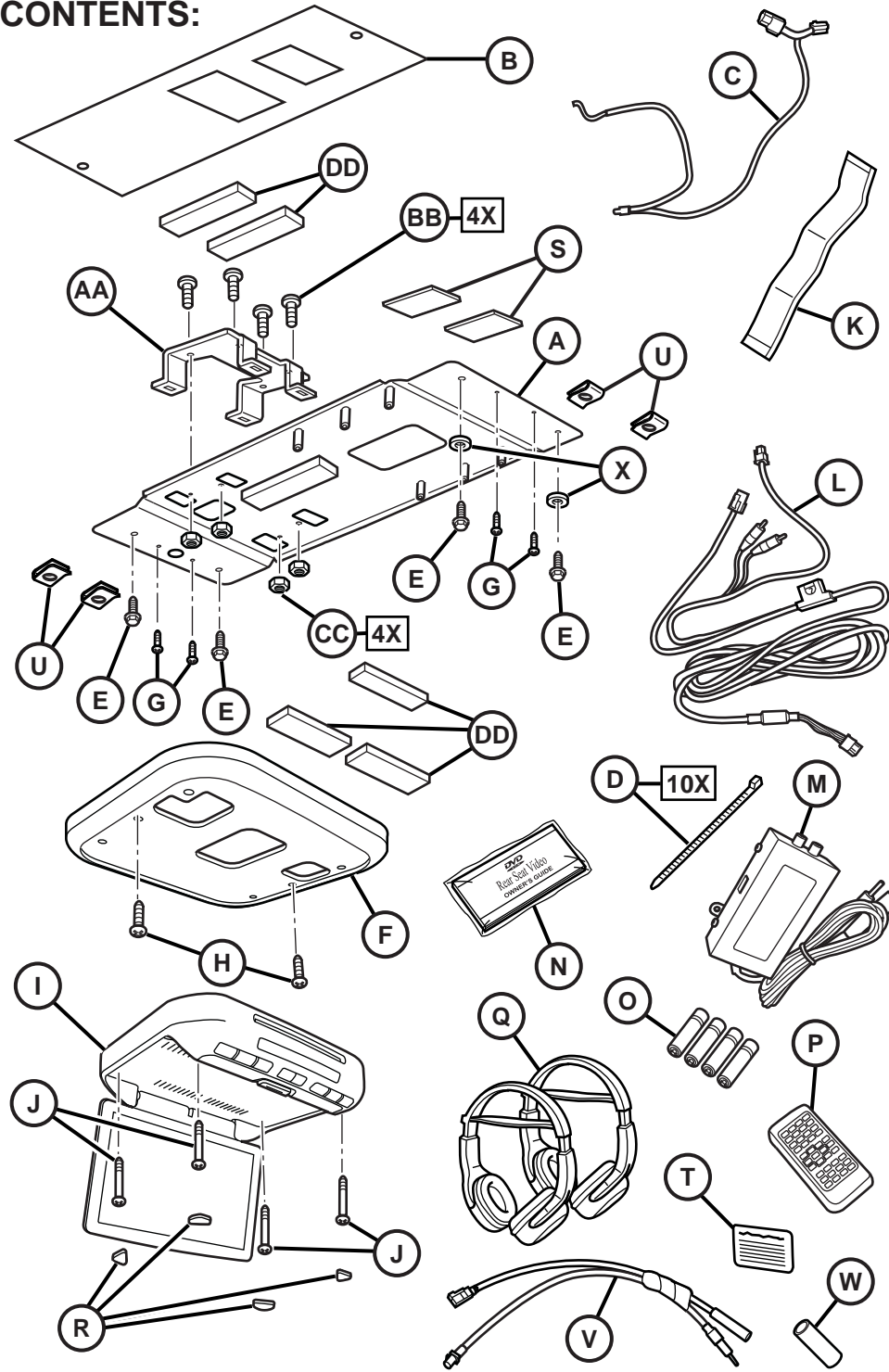
10" DVD VES KIT

NON MOONROOF ONLY

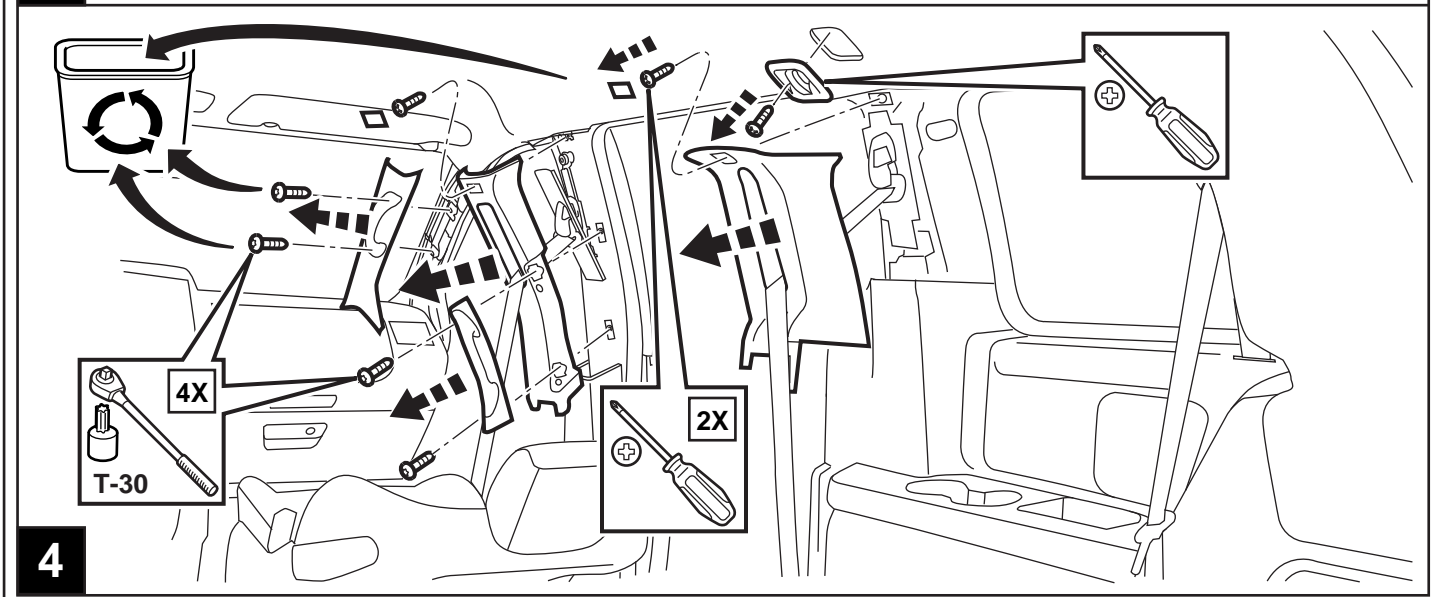
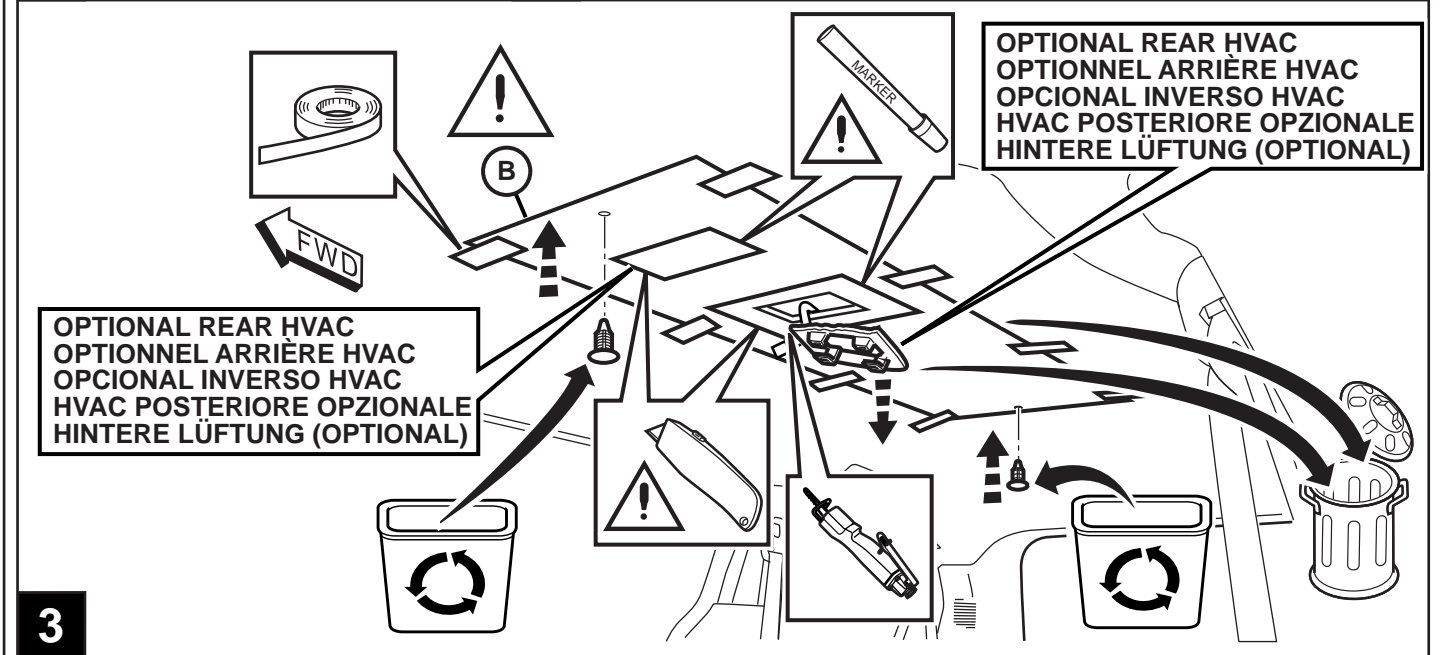
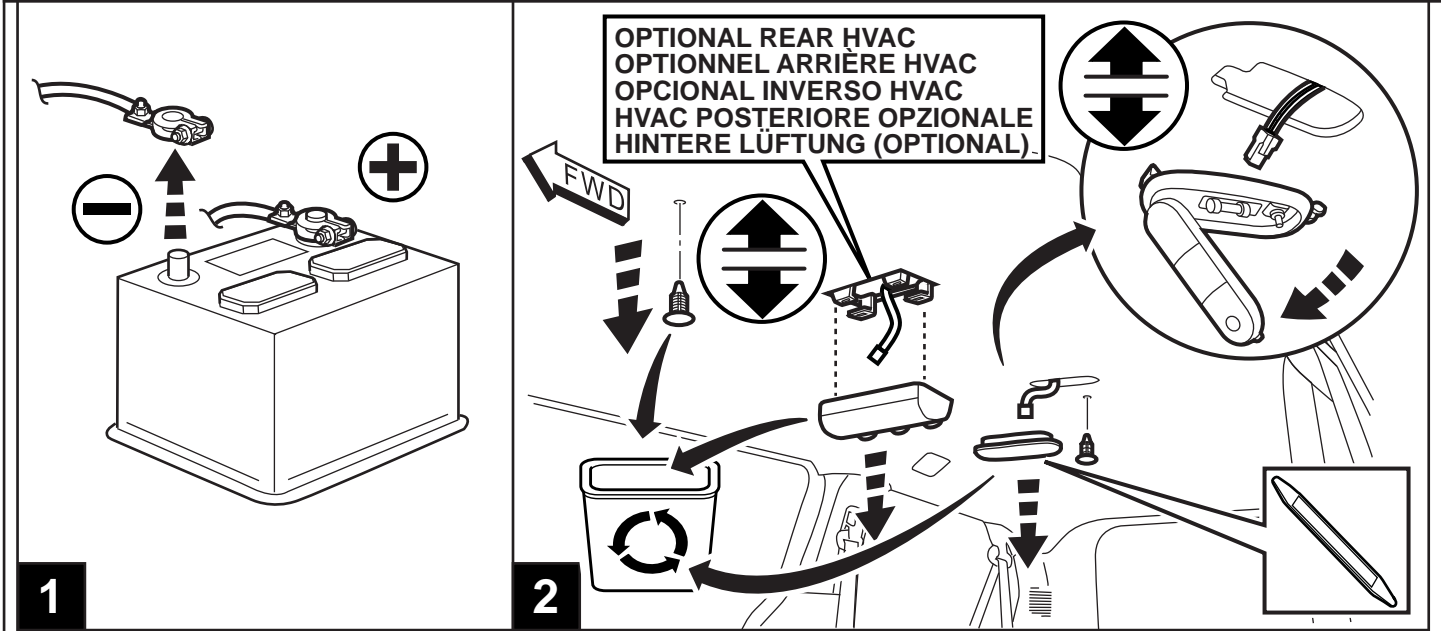
TOOLS REQUIRED:



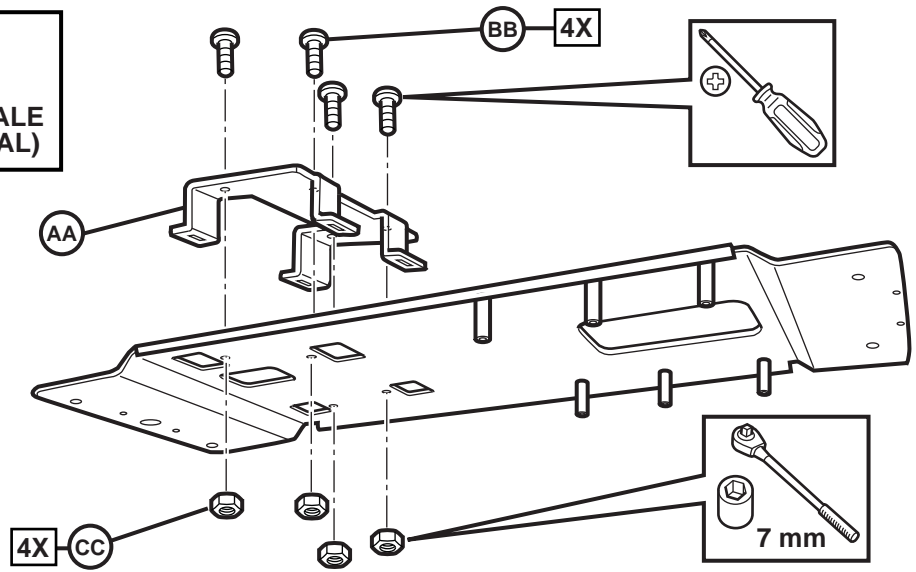
CONTENTS:



Item	Qty.	Description
(A)	1	Mounting Bracket
(B)	1	Template
(C)	1	T-Harness
(D)	10	Tie Straps
(E)	4	M6 Bolts
(F)	1	Shroud
(G)	4	Self-tapping Screws
(H)	2	Shroud Screws
(I)	1	10" DVD Unit
(J)	4	DVD Mounting Screws
(K)	1	Foam Tape
(L)	1	Wire Harness
(M)	1	FM Modulator
(N)	1	Owner's Manual
(O)	4	Batteries
(P)	1	DVD Remote Control
(Q)	2	Headphones
(R)	4	Screw Cover
(S)	2	Foam Strips
(T)	1	Mercury Warning Label
(U)	4	U-nuts
(V)	1	Antenna Adapter
(W)	1	Shrink Wrap
(X)	2	Flat Washers
(AA)	1	HVAC Bracket
(BB)	4	Screws
(CC)	4	Nuts
(DD)	5	Foam Pads

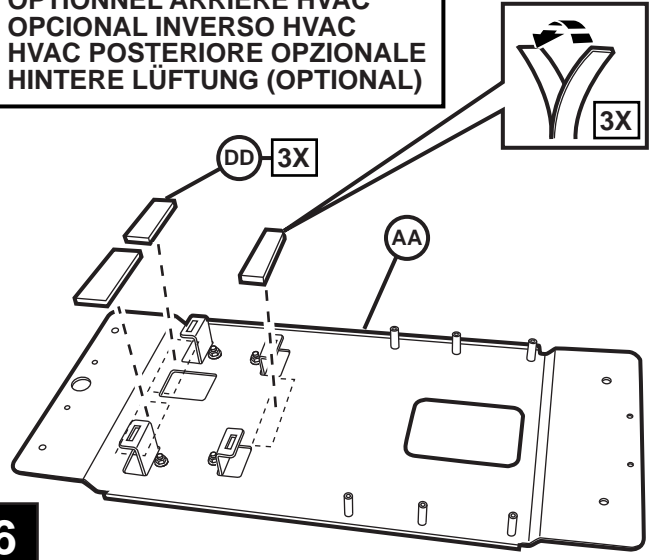


OPTIONAL REAR HVAC
 OPTIONNEL ARRIÈRE HVAC
 OPCIONAL INVERSO HVAC
 HVAC POSTERIORE OPZIONALE
 HINTERE LÜFTUNG (OPTIONAL)



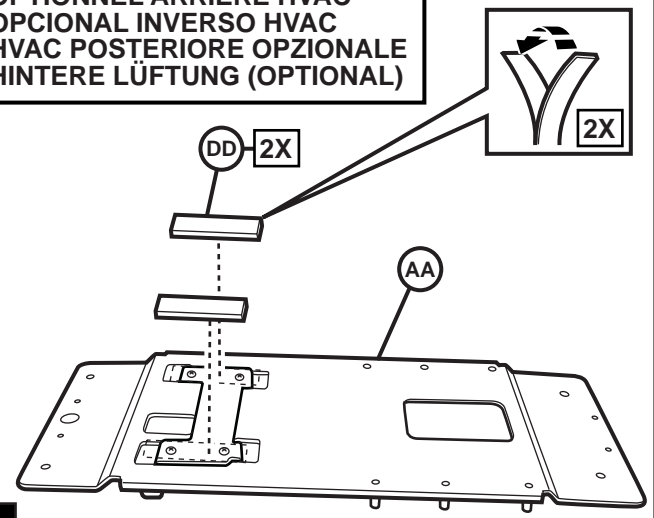
5

OPTIONAL REAR HVAC
 OPTIONNEL ARRIÈRE HVAC
 OPCIONAL INVERSO HVAC
 HVAC POSTERIORE OPZIONALE
 HINTERE LÜFTUNG (OPTIONAL)

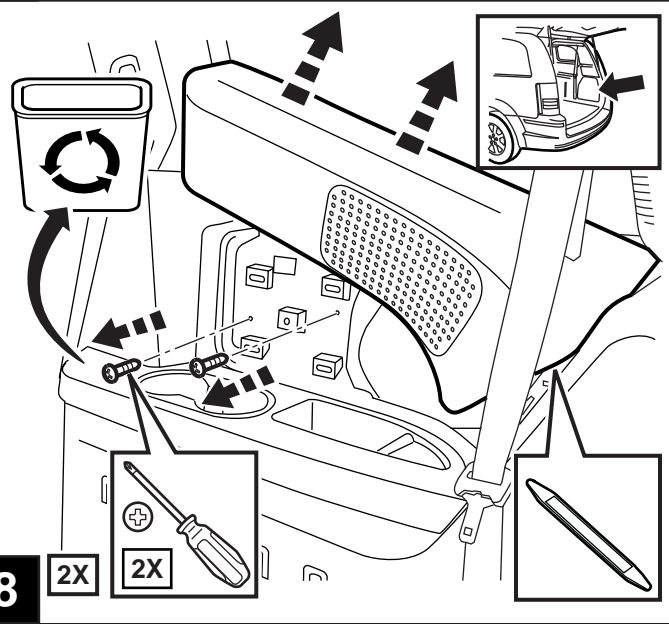


6

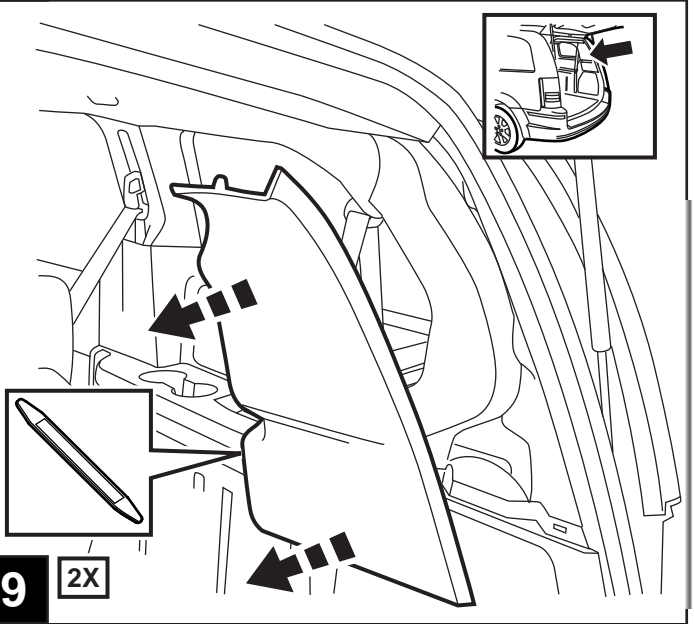
OPTIONAL REAR HVAC
 OPTIONNEL ARRIÈRE HVAC
 OPCIONAL INVERSO HVAC
 HVAC POSTERIORE OPZIONALE
 HINTERE LÜFTUNG (OPTIONAL)



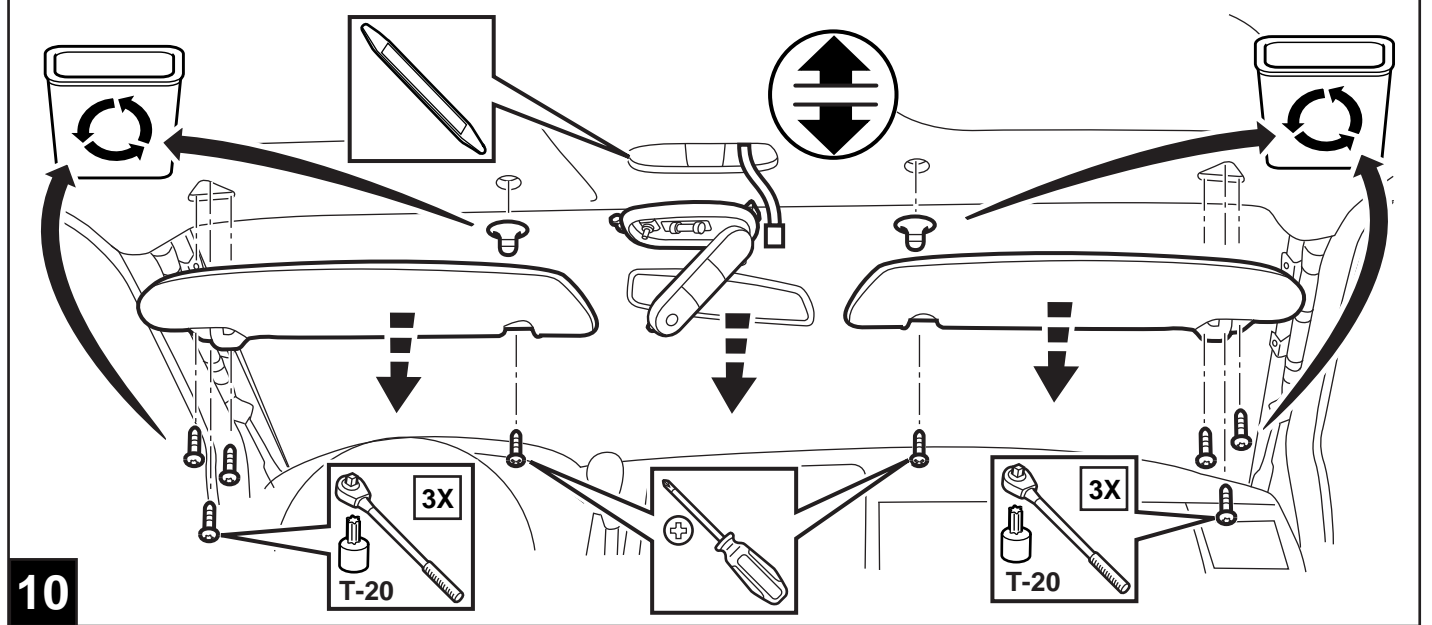
7



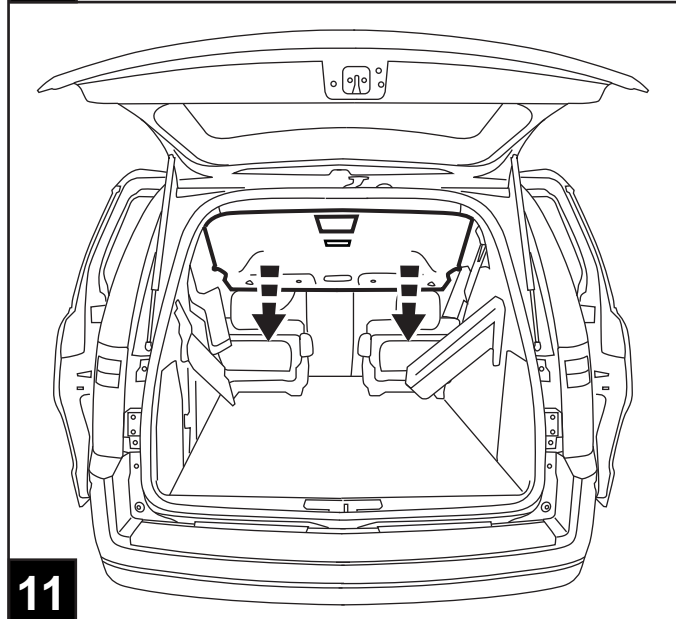
8



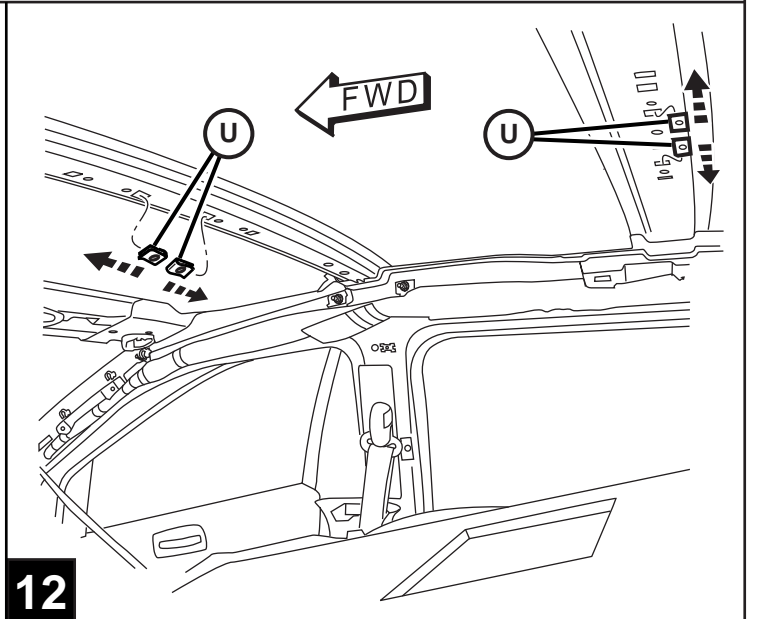
9



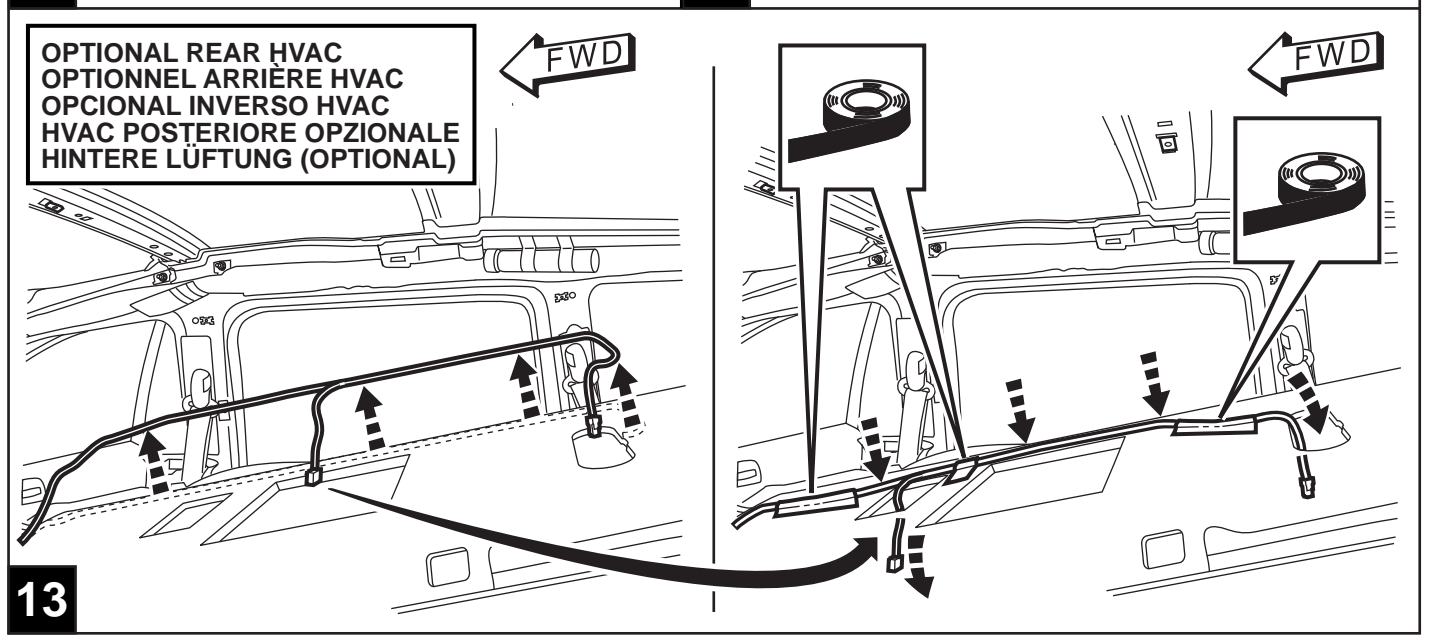
10



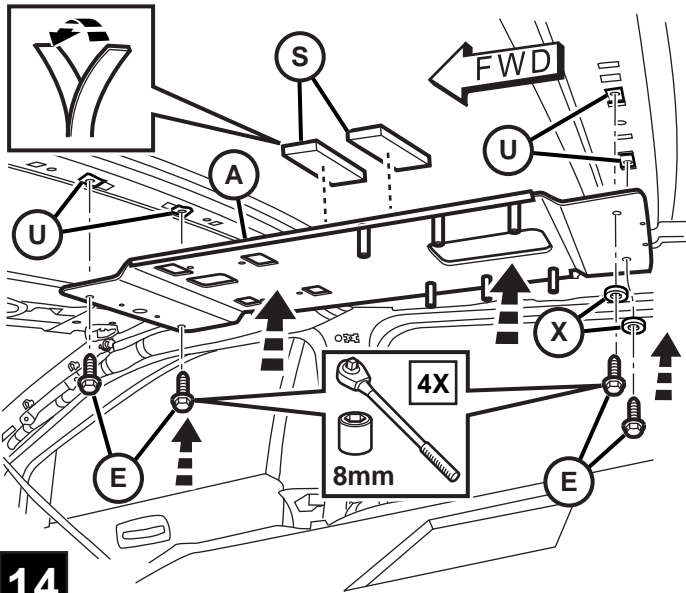
11



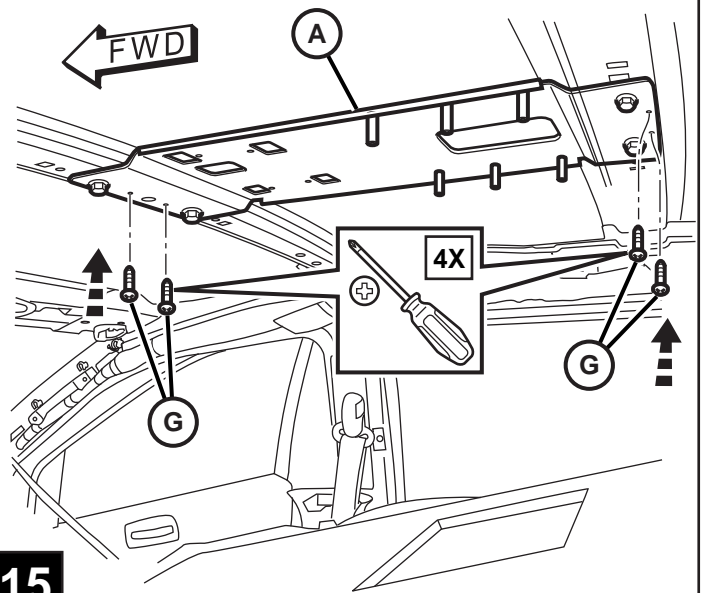
12



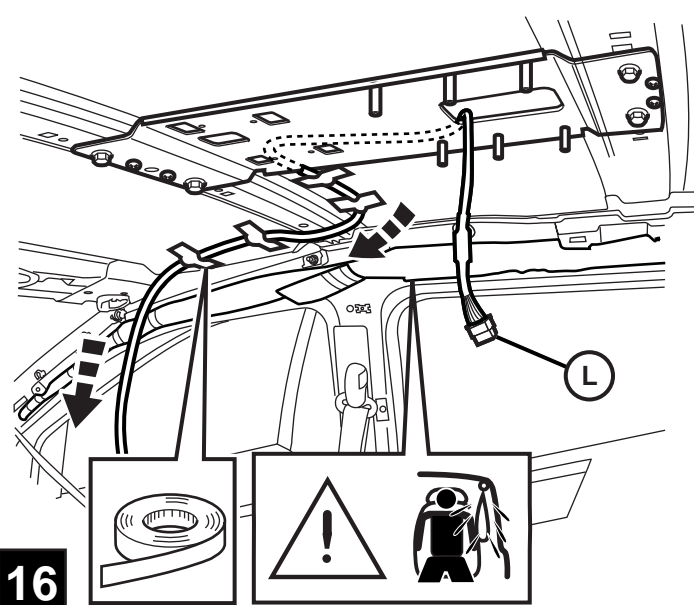
13



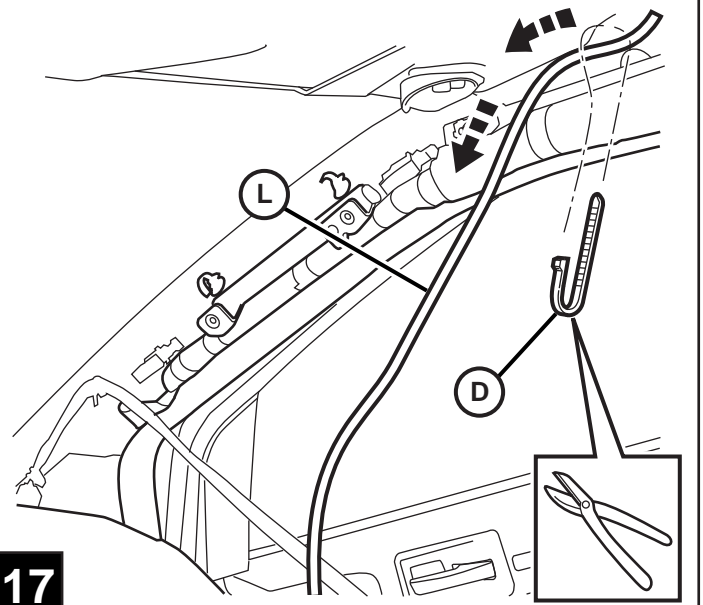
14



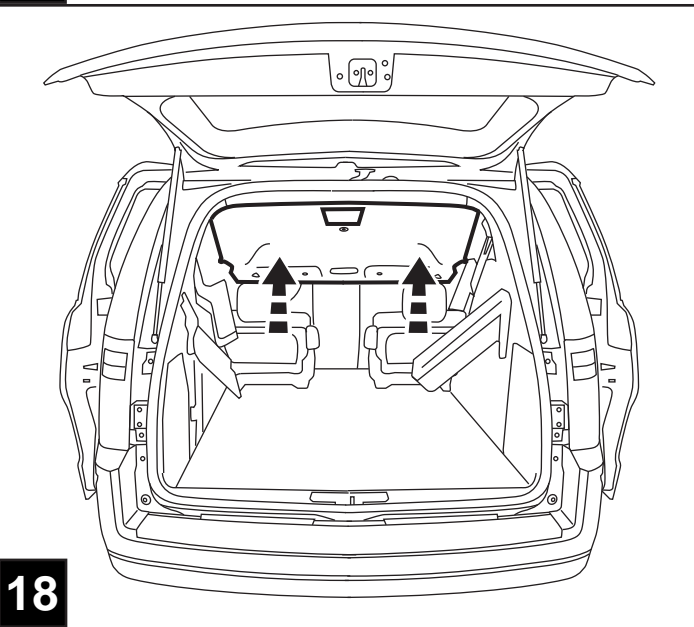
15



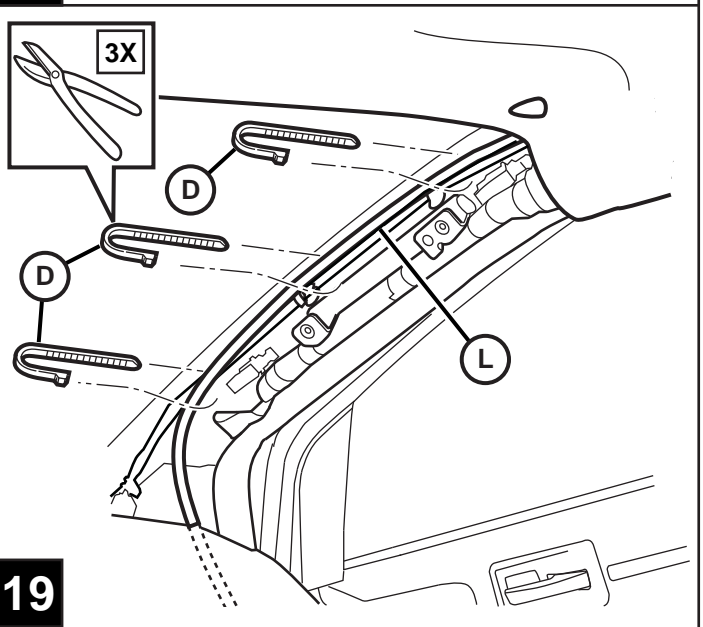
16



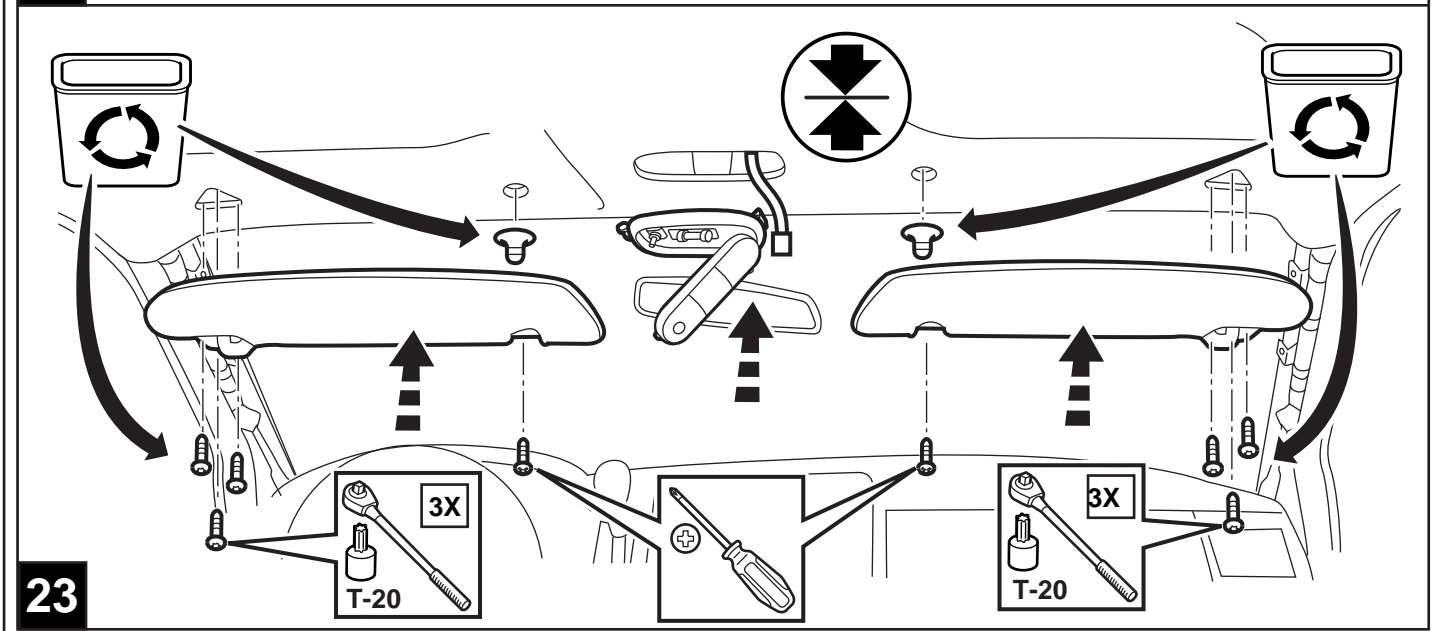
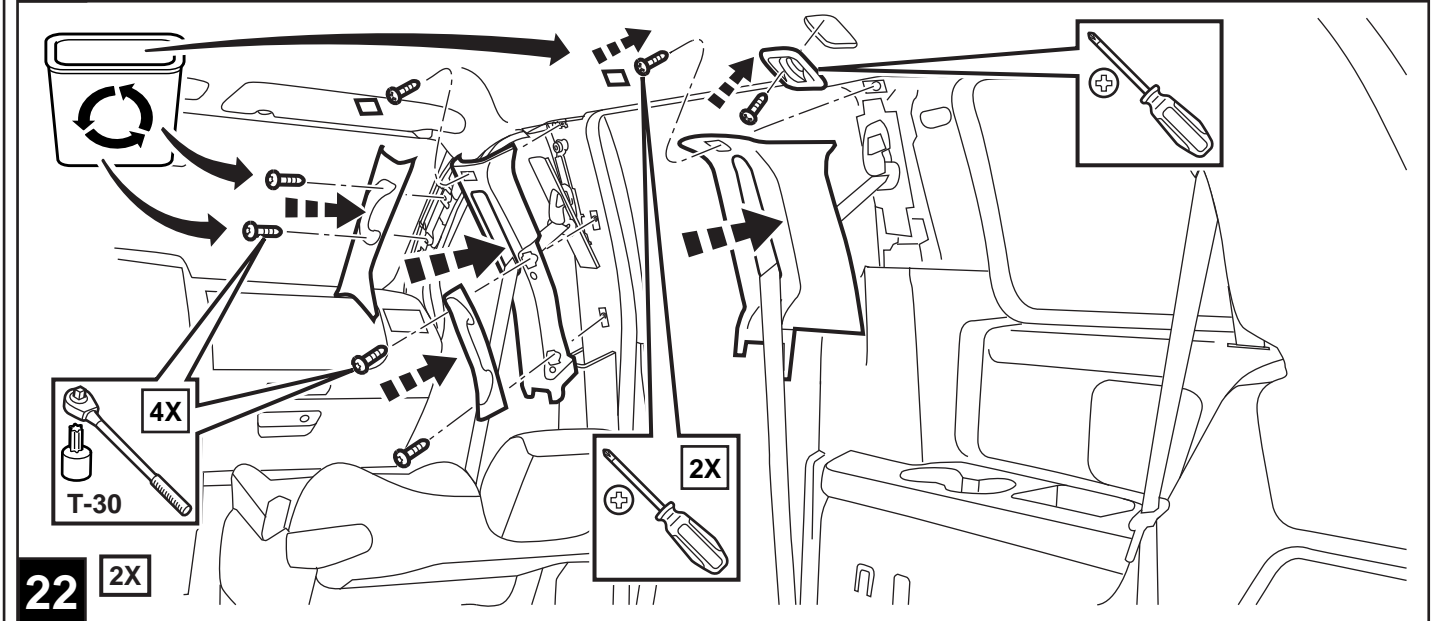
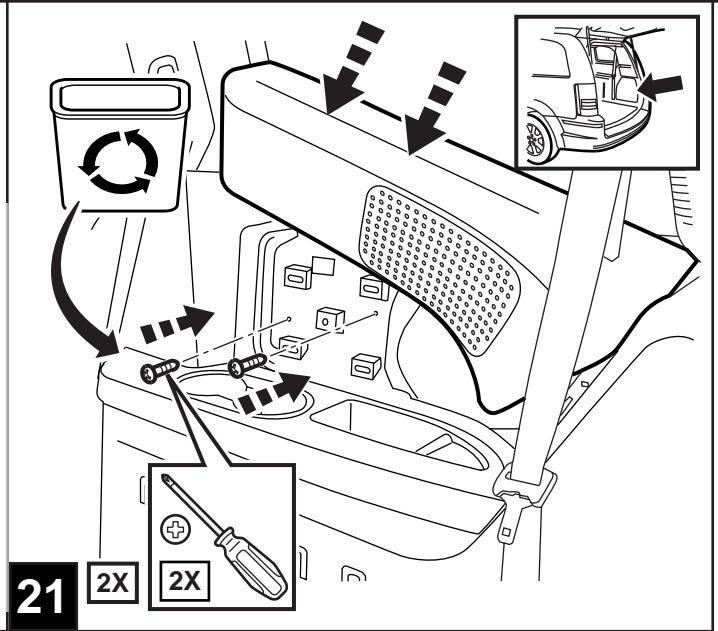
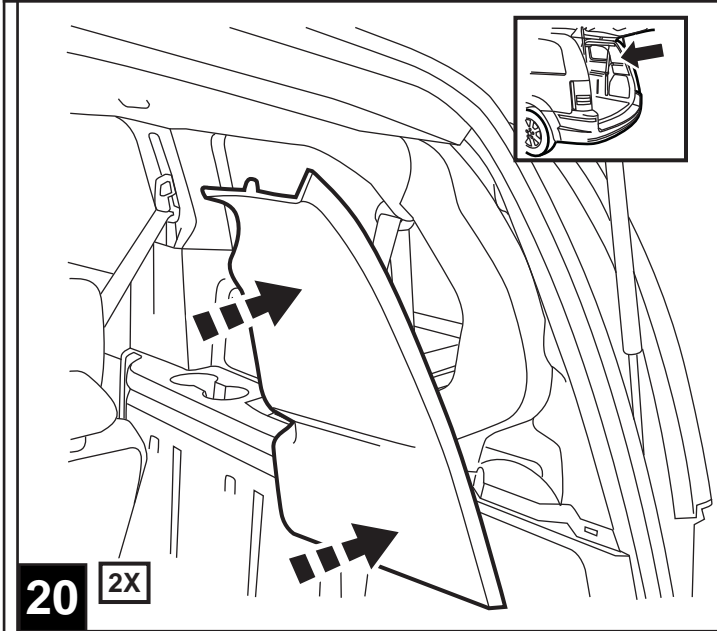
17

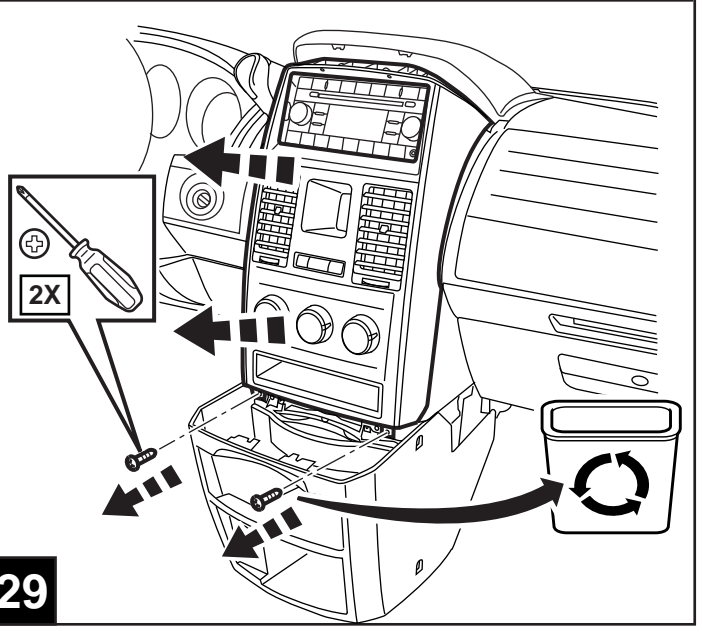
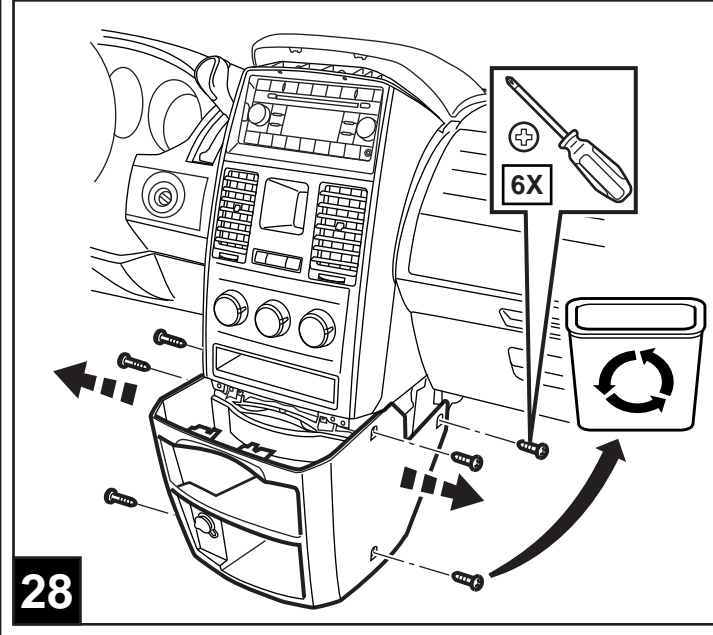
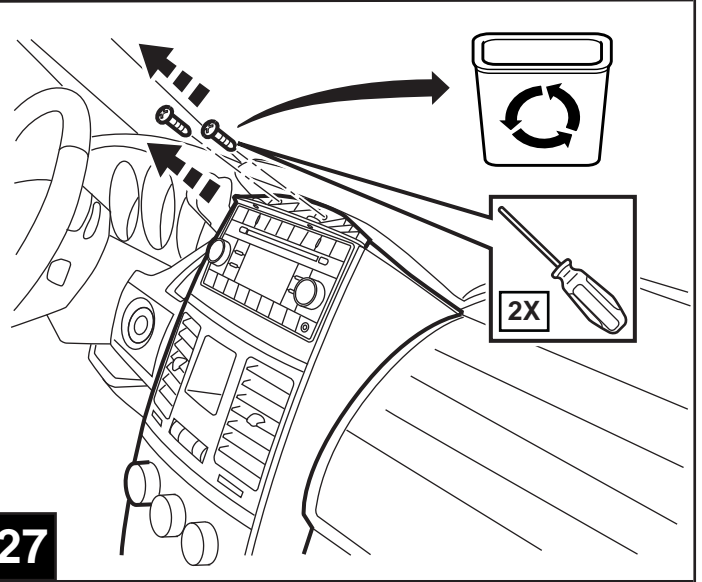
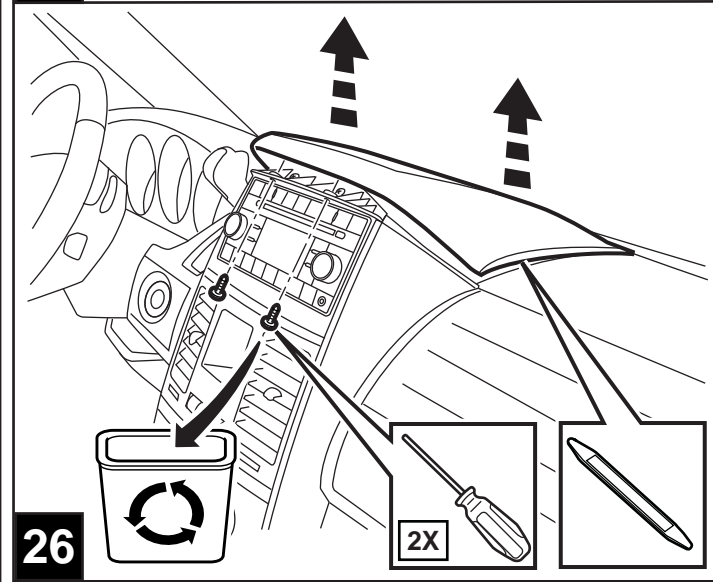
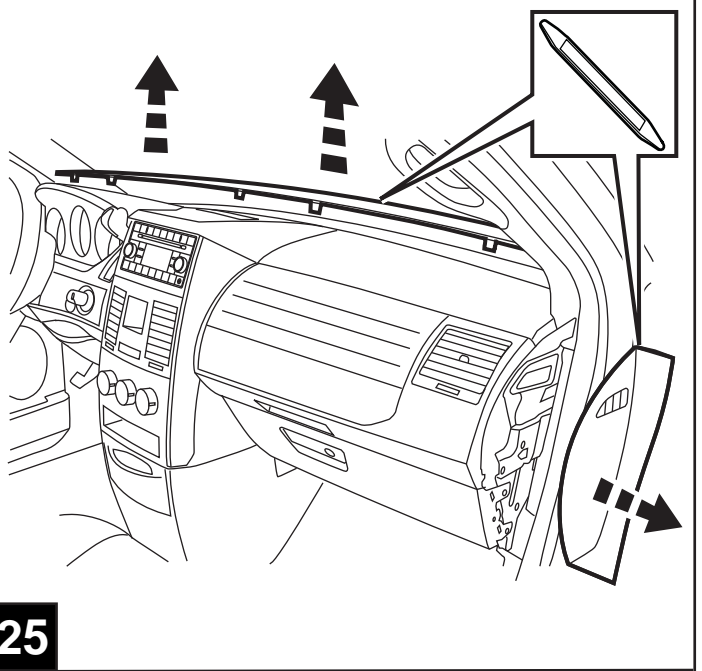
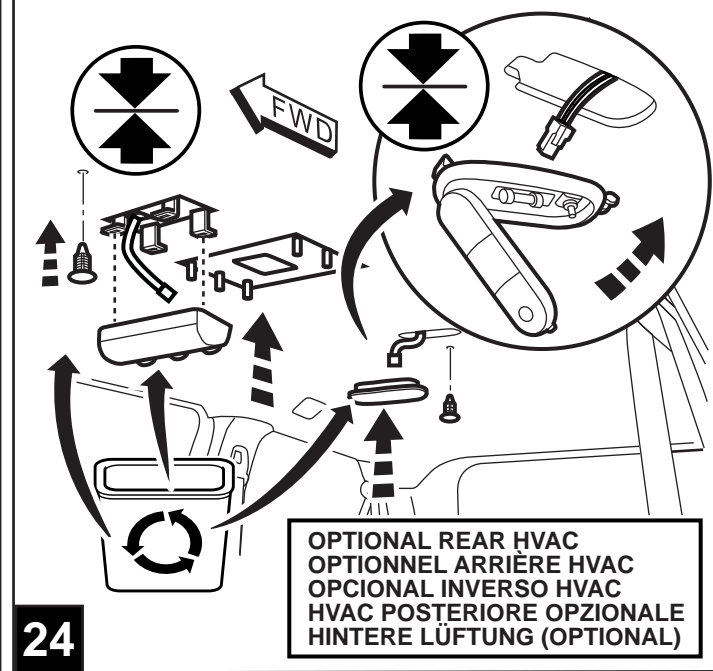


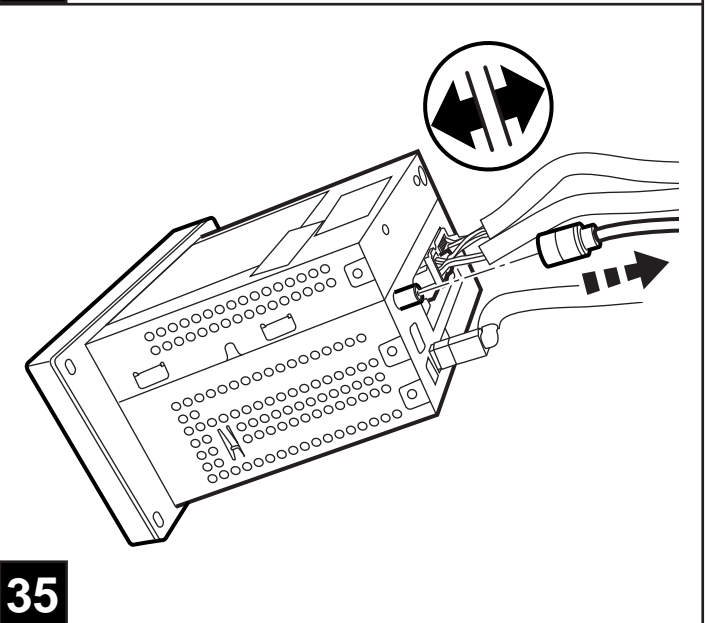
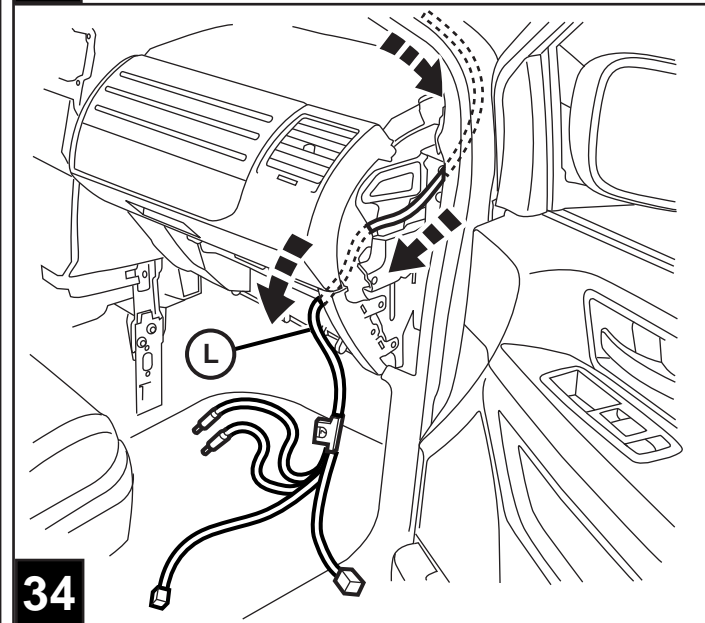
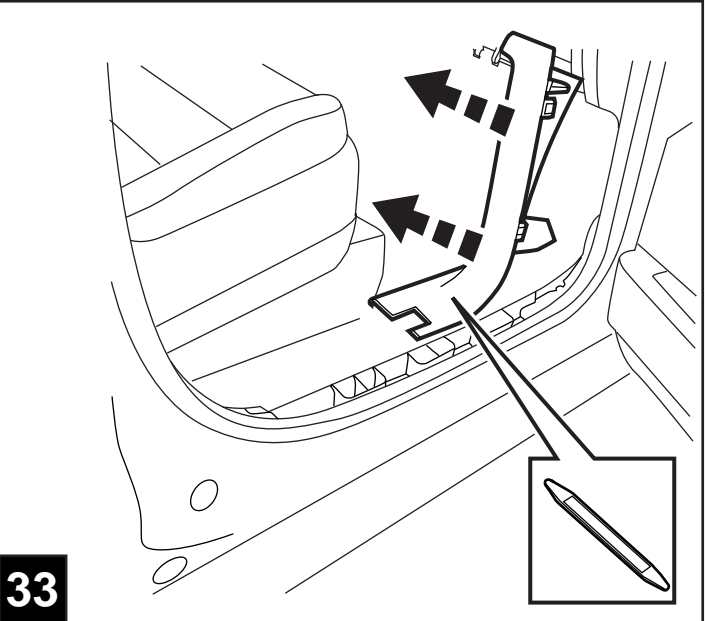
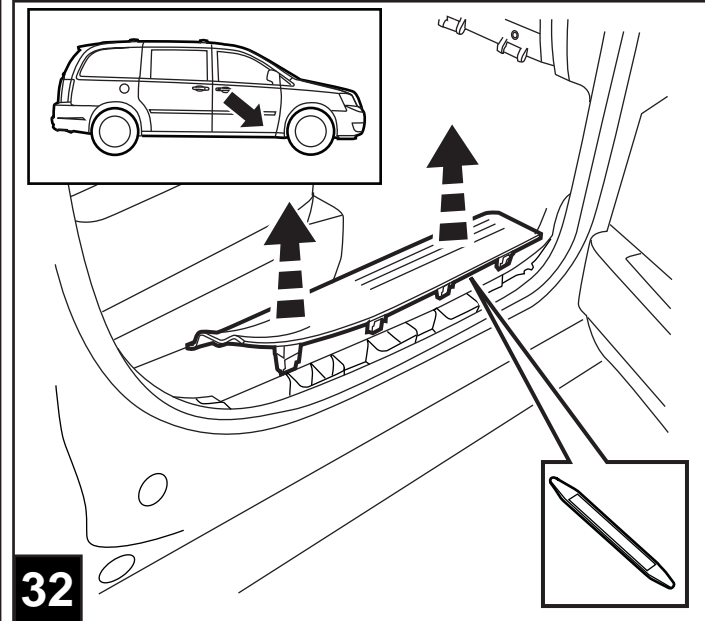
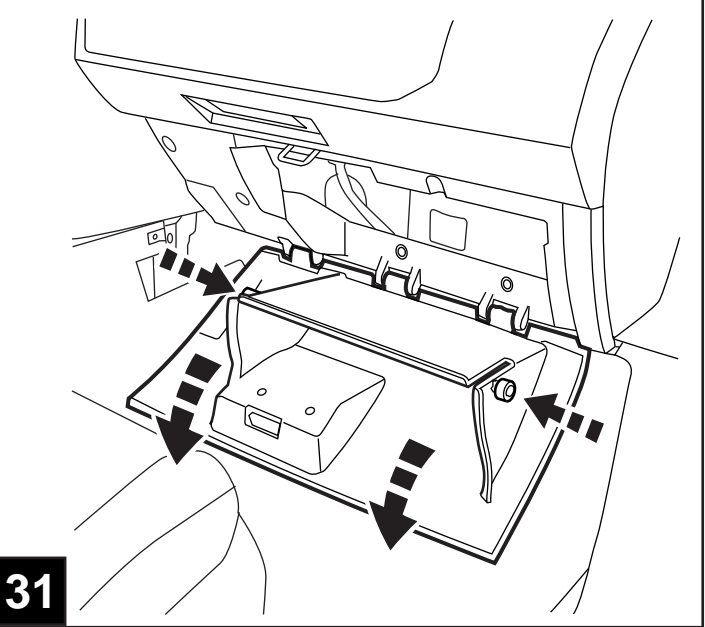
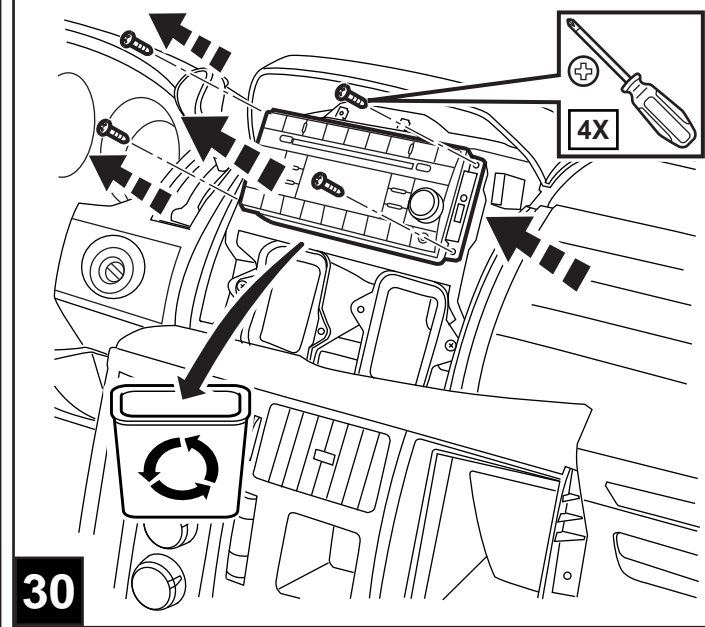
18

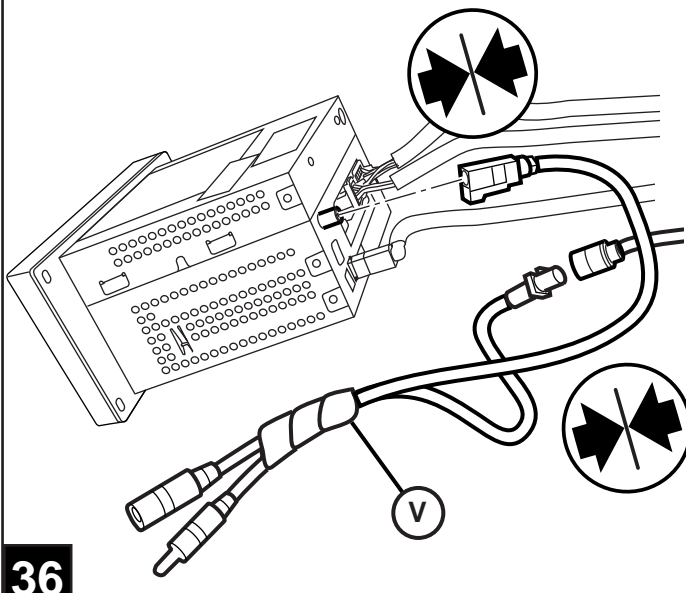


19

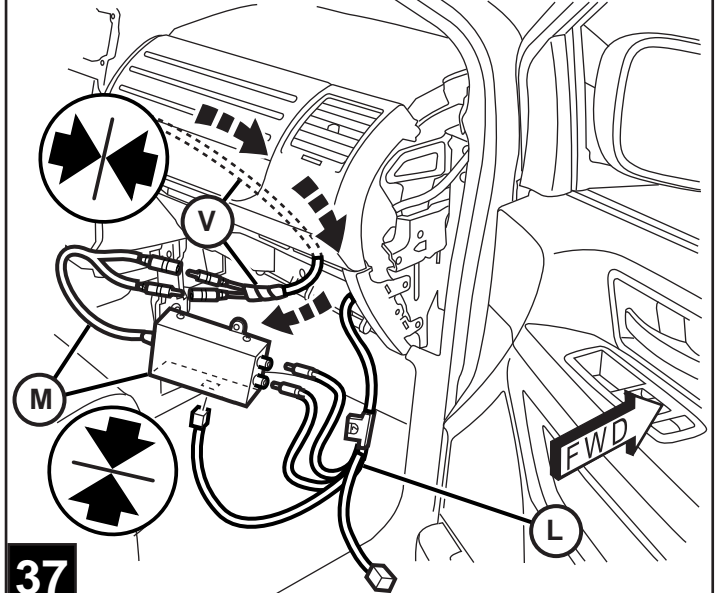




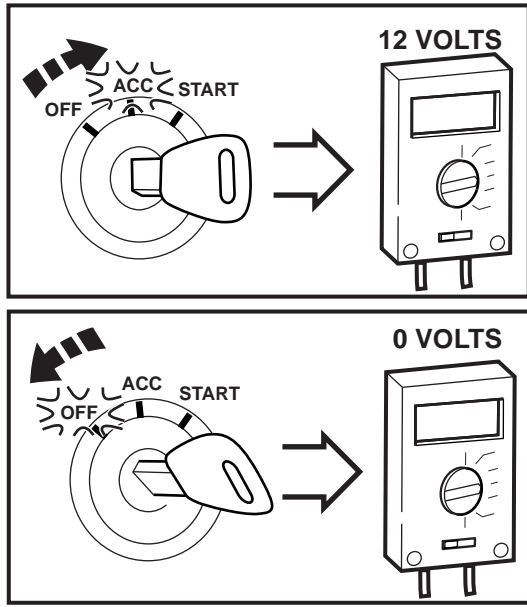




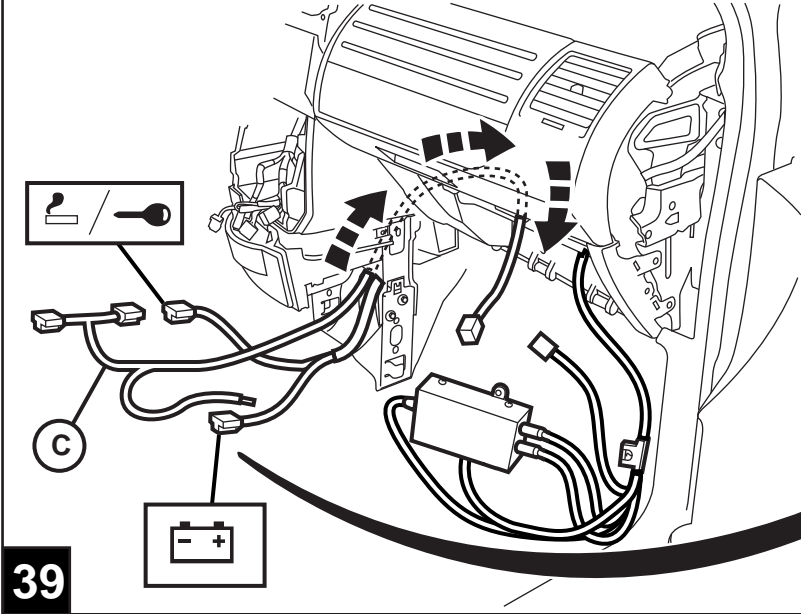
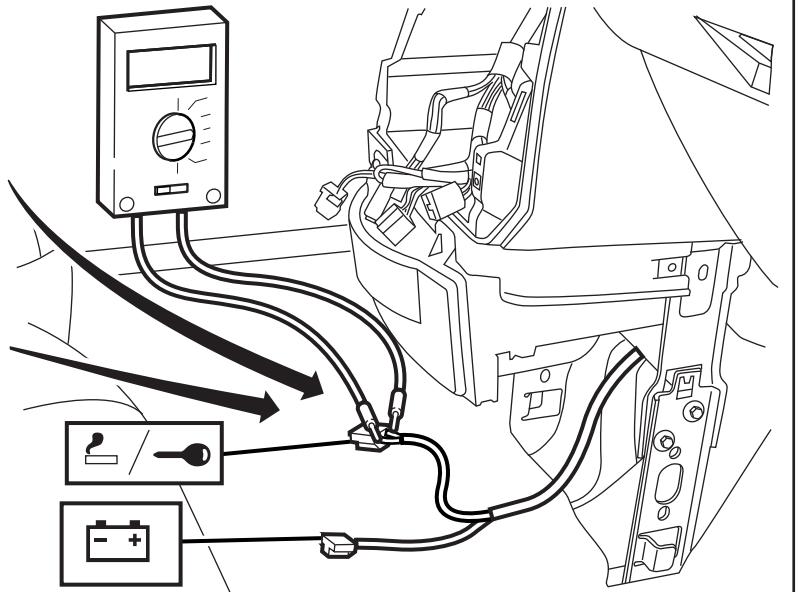
36



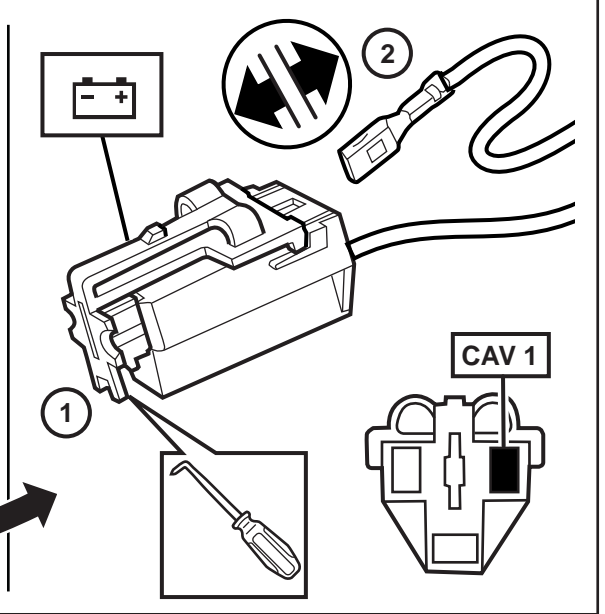
37

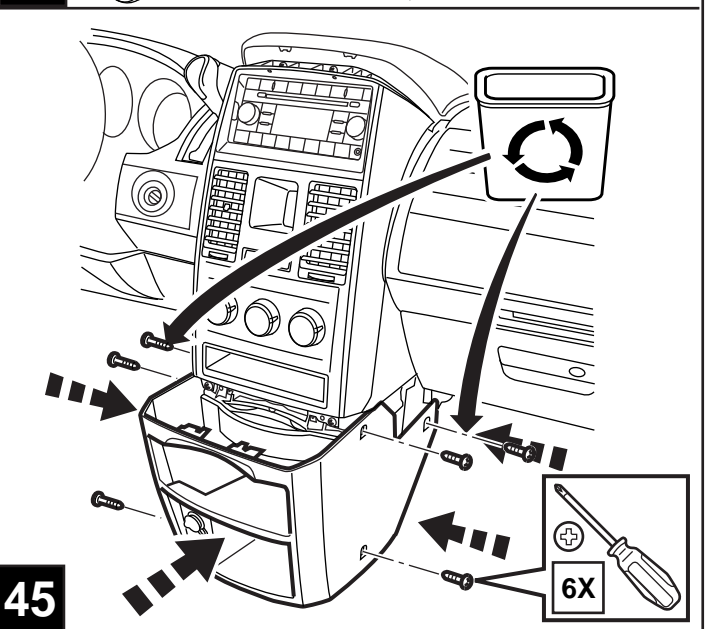
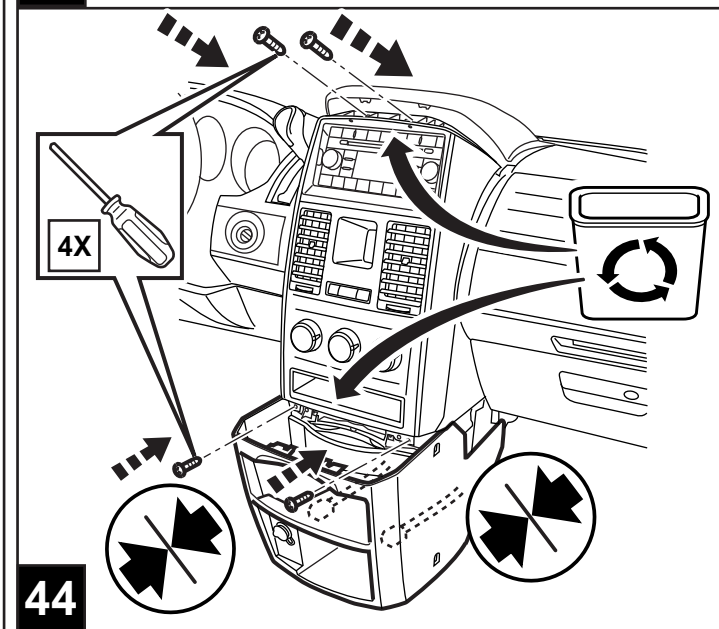
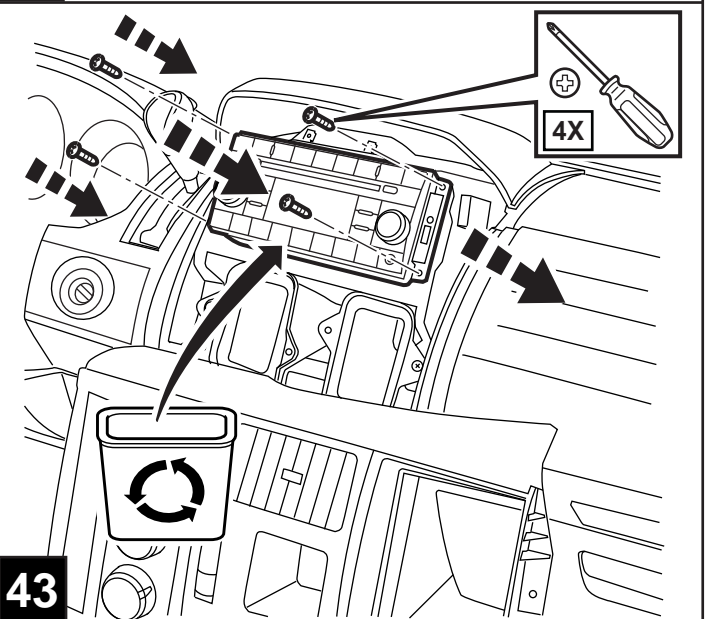
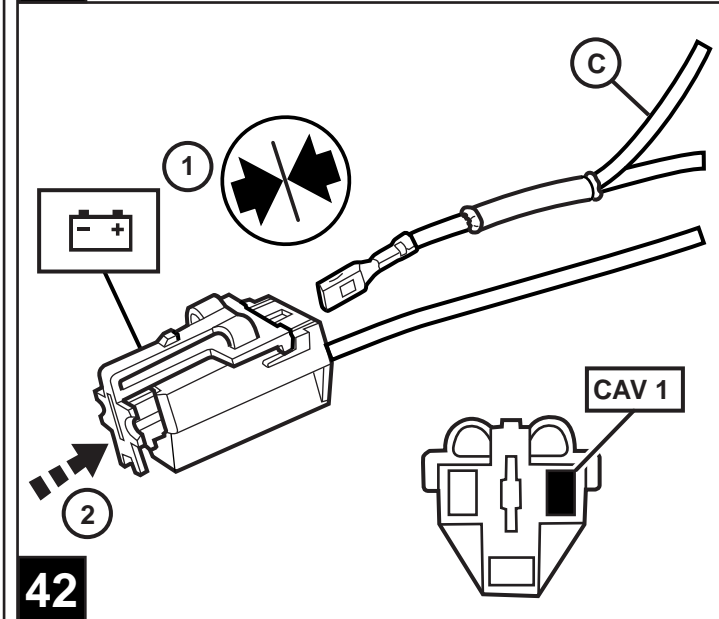
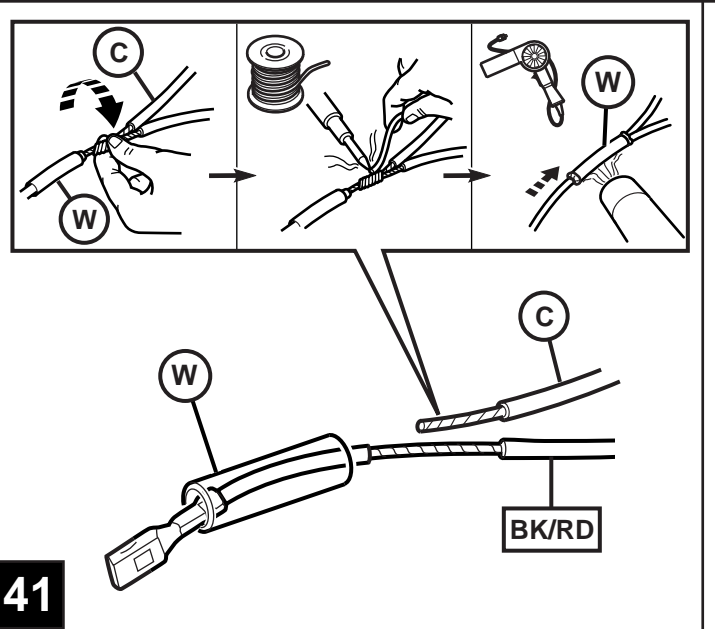
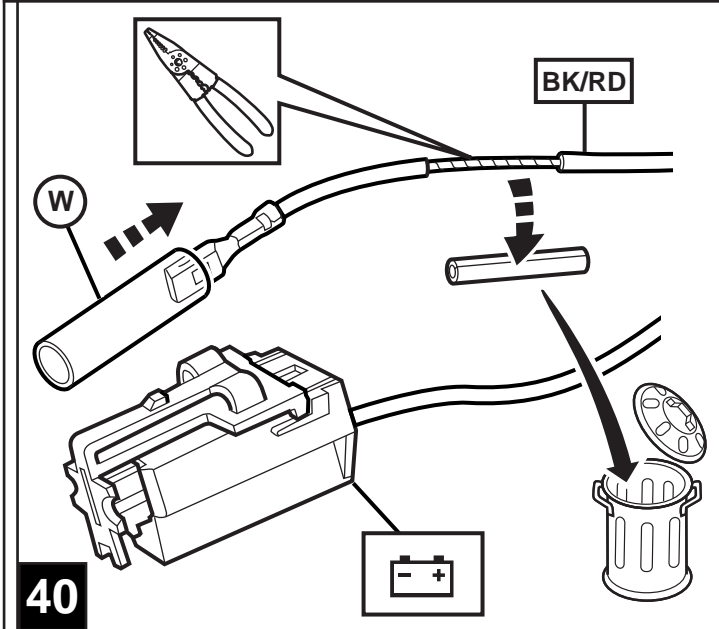


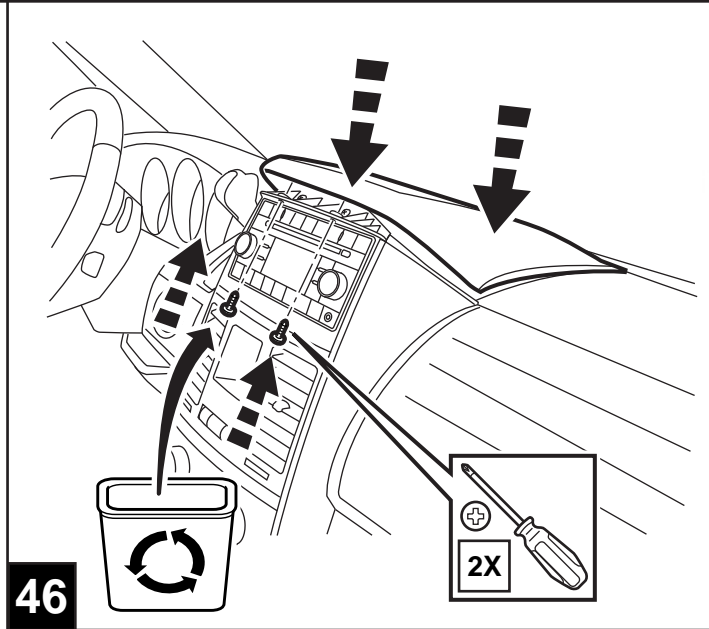
38



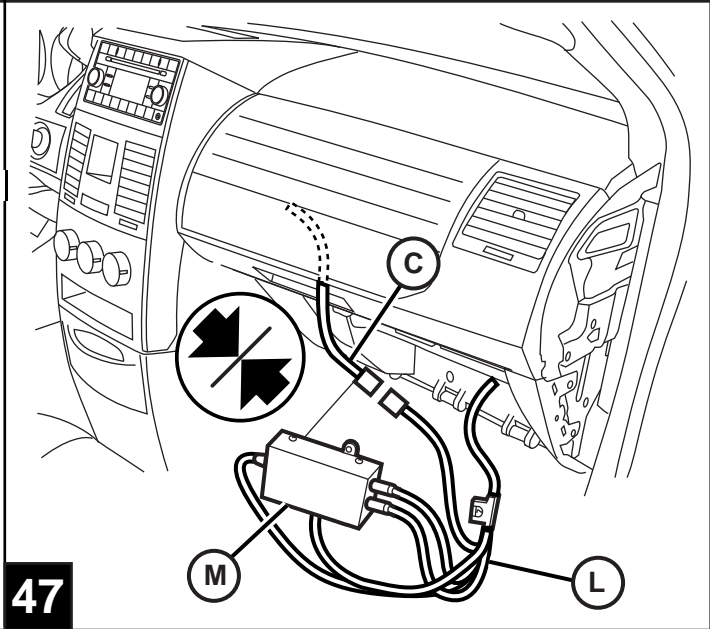
39







46

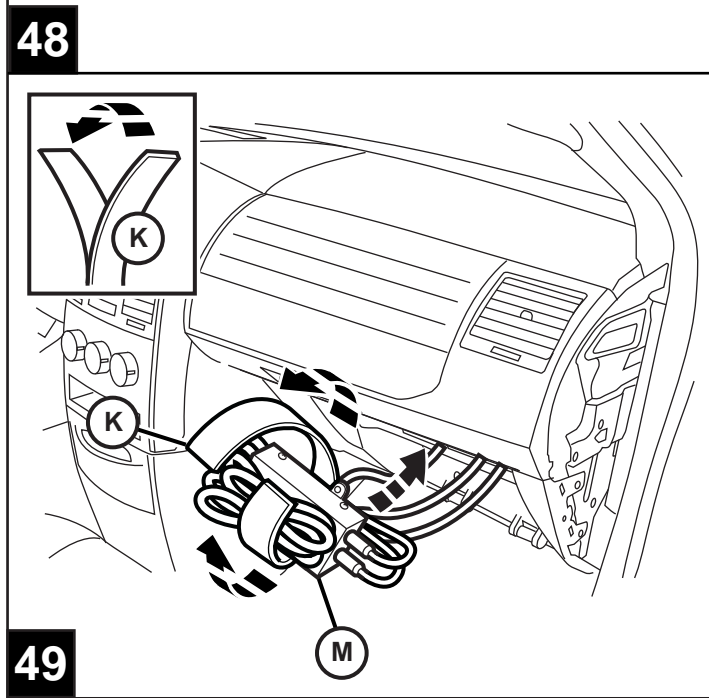


47

FM MODULATOR (ITEM "M") DIP SWITCH SETTINGS FOR NAFTA/BUX FREQUENCIES.
AJUSTE DE LOS INTERRUPTORES DIP DEL MODULADOR DE FM (ITEM "M") PARA LAS FRECUENCIAS DE NAFTA/BUX.
RÉGLAGES DE CONTACT DIP DU MODULATEUR DE FM (ITEM "M") POUR DES FRÉQUENCES DE NAFTA/BUX.
FM REGLER (EINHEIT "M") DIP-SCHALTER EINSTELLUNGEN FÜR NAFTA/BUX FREQUENZEN.
DIP SWITCH MODULATORE FM (ARTICOLO "M") IMPOSTAZIONI PER FREQUENZE NAFTA/BUX.

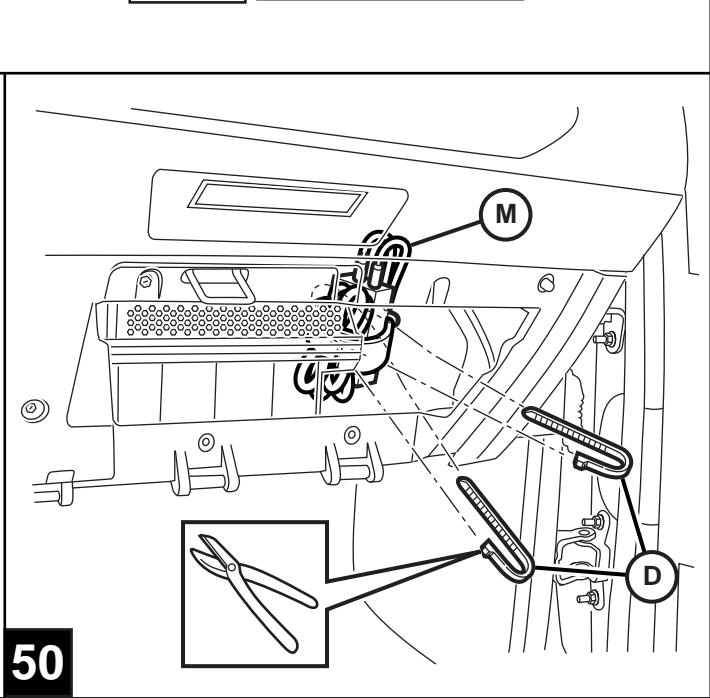
OFF	<input type="checkbox"/>	<input type="checkbox"/>	<input type="checkbox"/>	<input type="checkbox"/>	87.9	BUX ONLY
ON	<input type="checkbox"/>	<input type="checkbox"/>	<input type="checkbox"/>	<input type="checkbox"/>		
OFF	<input type="checkbox"/>	<input type="checkbox"/>	<input type="checkbox"/>	<input type="checkbox"/>	88.1	
ON	<input type="checkbox"/>	<input type="checkbox"/>	<input type="checkbox"/>	<input type="checkbox"/>		
OFF	<input type="checkbox"/>	<input type="checkbox"/>	<input type="checkbox"/>	<input type="checkbox"/>	88.3	
ON	<input type="checkbox"/>	<input type="checkbox"/>	<input type="checkbox"/>	<input type="checkbox"/>		
OFF	<input type="checkbox"/>	<input type="checkbox"/>	<input type="checkbox"/>	<input type="checkbox"/>	88.5	
ON	<input type="checkbox"/>	<input type="checkbox"/>	<input type="checkbox"/>	<input type="checkbox"/>		
OFF	<input type="checkbox"/>	<input type="checkbox"/>	<input type="checkbox"/>	<input type="checkbox"/>	88.7	
ON	<input type="checkbox"/>	<input type="checkbox"/>	<input type="checkbox"/>	<input type="checkbox"/>		
OFF	<input type="checkbox"/>	<input type="checkbox"/>	<input type="checkbox"/>	<input type="checkbox"/>	88.9	
ON	<input type="checkbox"/>	<input type="checkbox"/>	<input type="checkbox"/>	<input type="checkbox"/>		

US/CAN

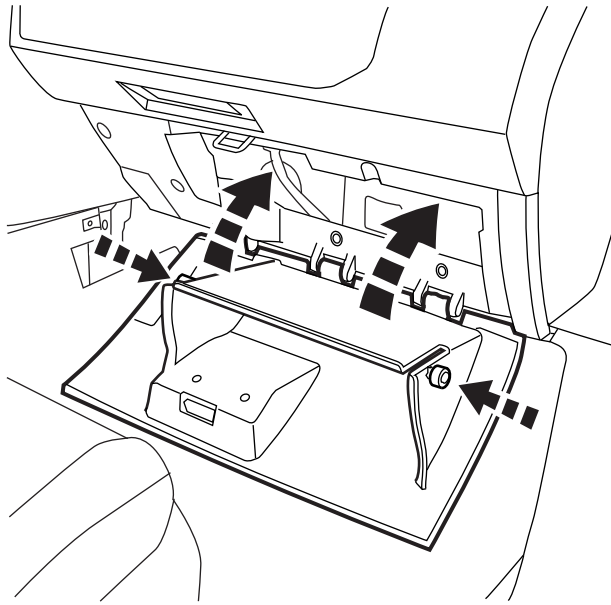


48

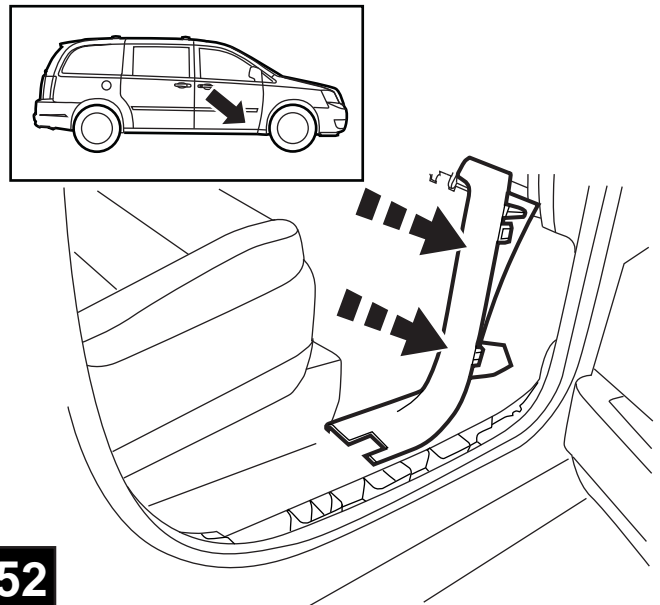
49



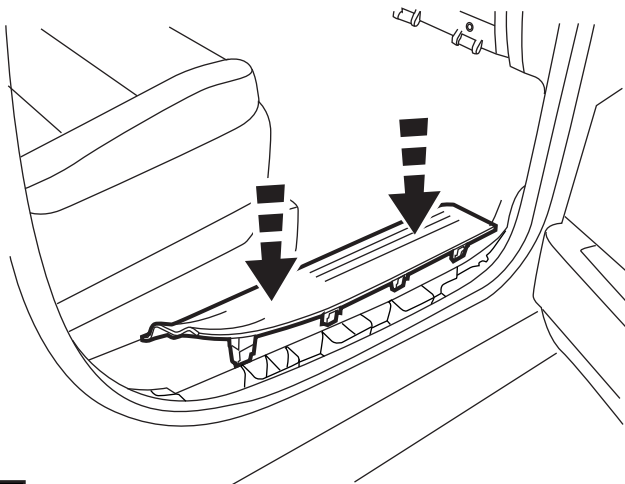
50



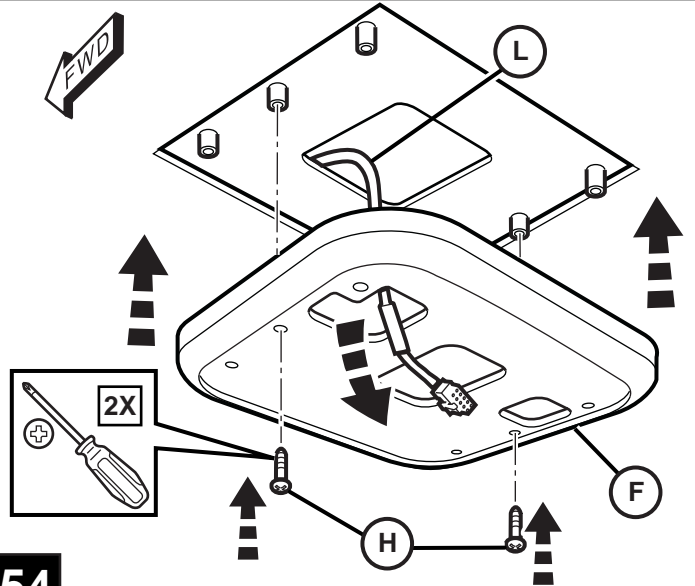
51



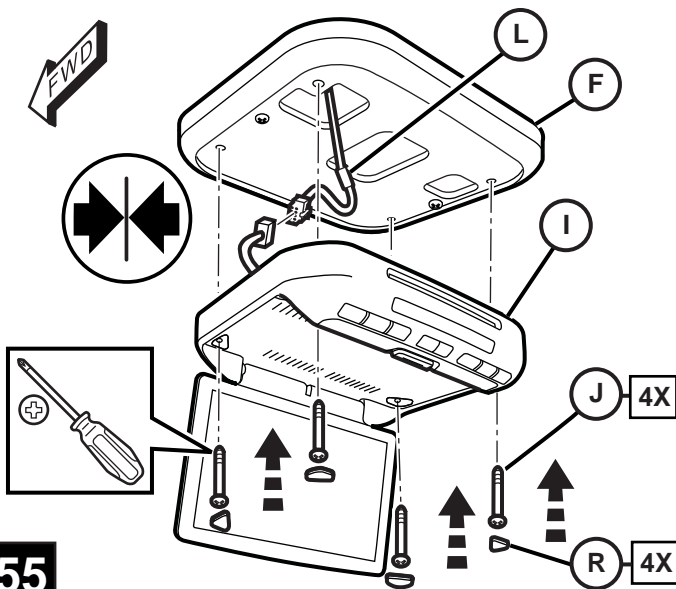
52



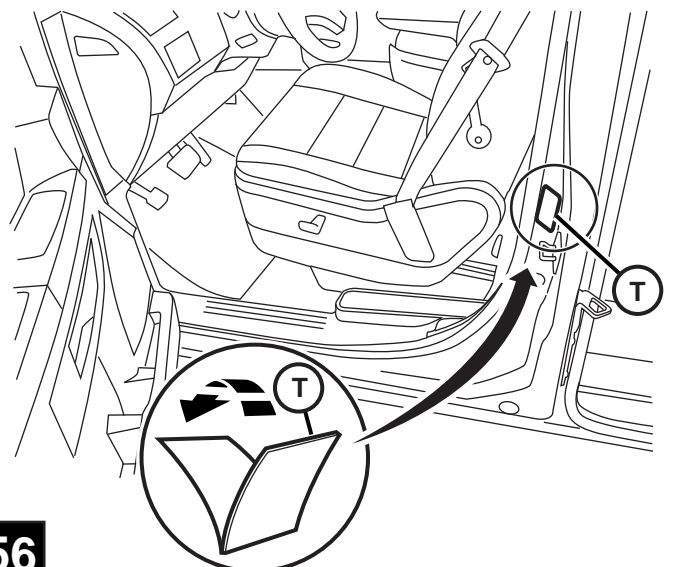
53



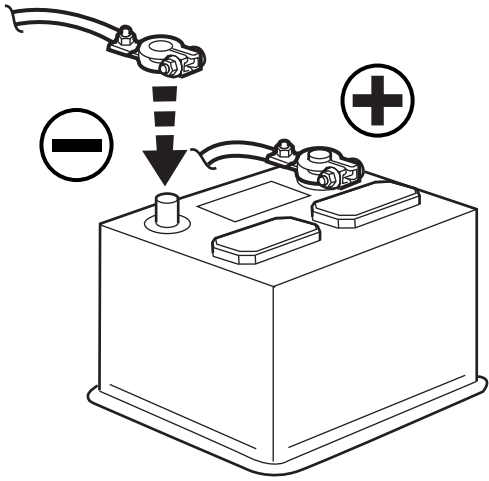
54



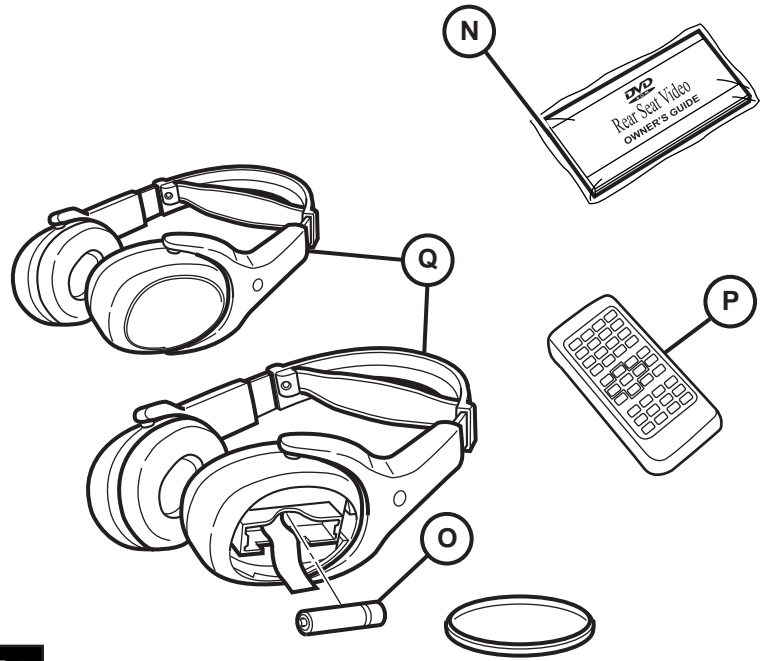
55



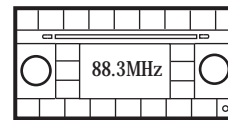
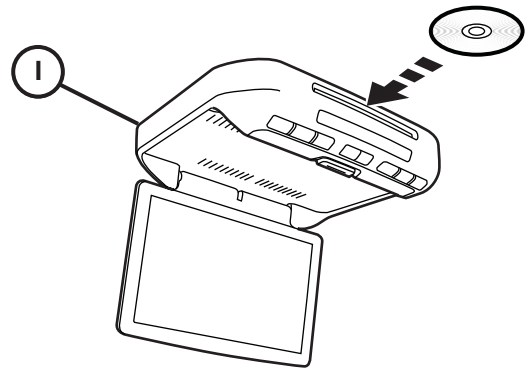
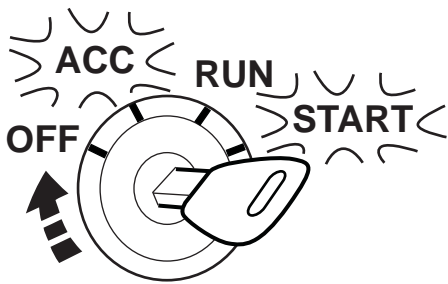
56



57



58



59