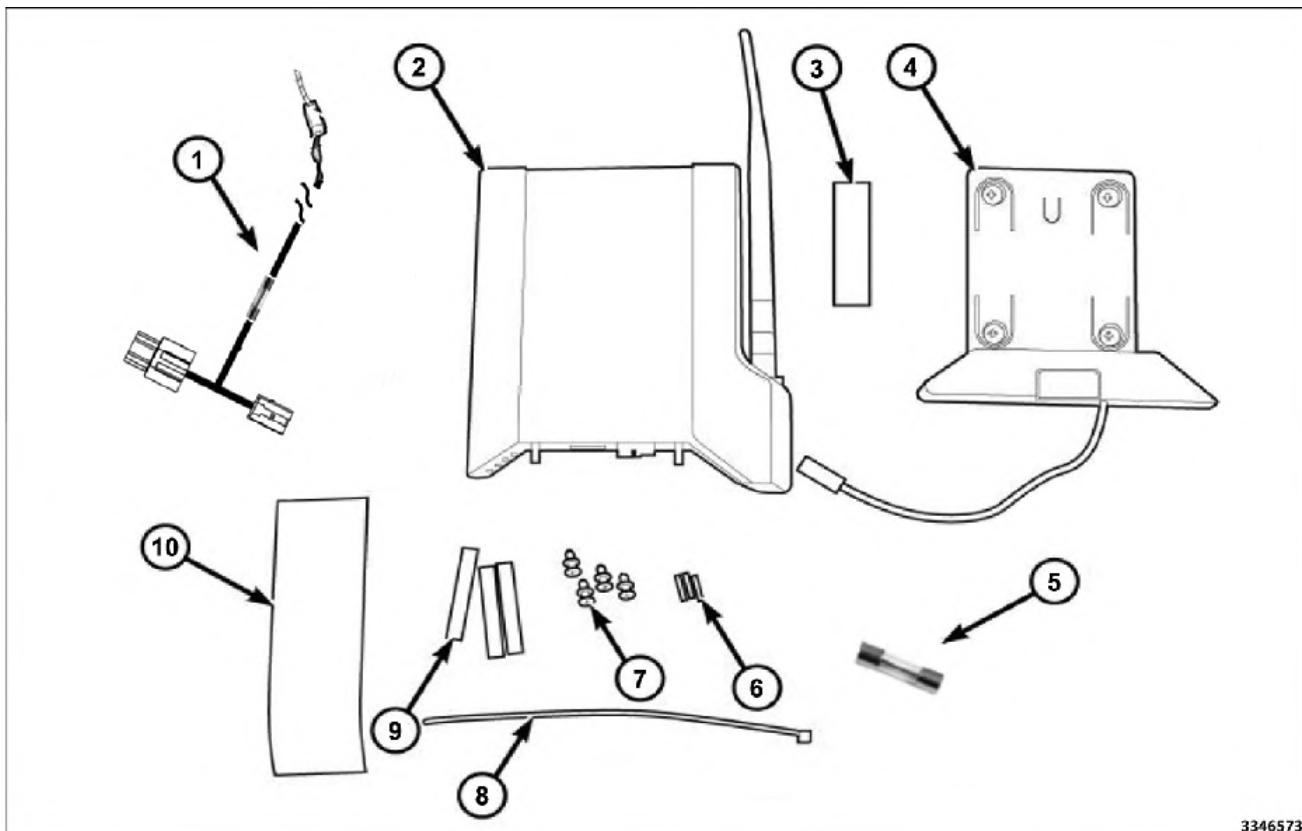




Wi-Fi Router



3346573

Call Out	Description	Quantity
1	Wi-Fi power and go wires	1
2	Wi-Fi router	1
3	Foam strip	2
4	Wi-Fi docking station	1
5	In-line Fuse	1
6	Wire connector	3
7	Scrivets	4
8	Tie strap	3
9	Heat shrink tube	3
10	Velcro strip	2



Installation Instructions

- 1) Completely read the enclosed owners manual supplied with this kit to become familiar with the cautions and warnings.
- 2) Disconnect and isolate the battery negative cable.
- 3) Select a location for the Wi-Fi unit. See appendix for suggested locations.
- 4) Locate the switched power outlet.



Switch power outlet symbol

- 5) Disconnect switch power outlet. For procedure related to removing trim to access the switched power outlet refer to the vehicle service manual.
- 6) Connect supplied wire harness with “T” connector to the switched power outlet and connect the original switched power outlet connector to the supplied wire harness. See appendix for wiring diagram.
- 7) Route supplied wire harness to the chosen location of the Wi-Fi router. Secure the wire harness with the supplied zip ties every 150mm (every 100mm around seat track area).
- 8) Remove trim along the wire harness routing path to hide the Wi-Fi router wire harness. For procedure related to removing trim refer to the vehicle service manual.
- 9) Secure the Wi-Fi router with the provided materials. Note: If using the supplied screws confirm they will not damage components or wiring behind mounting panel.



Installation Instructions

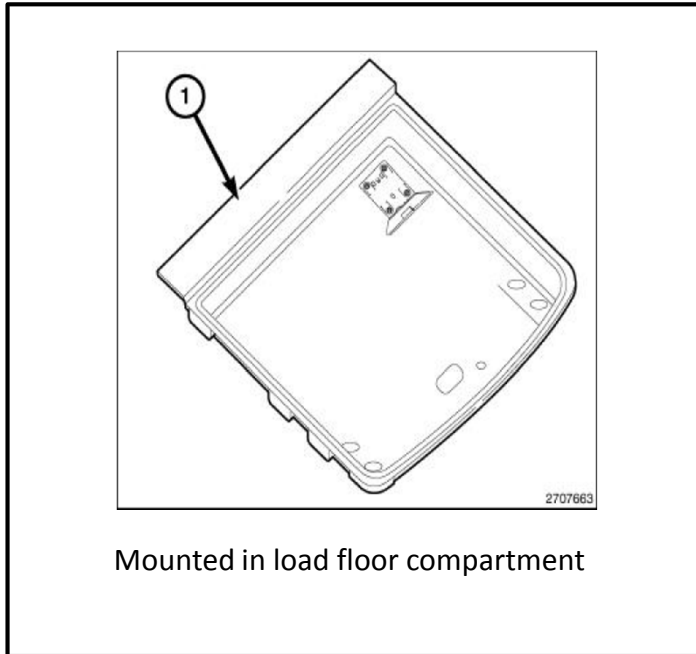
cont.

- 10) Bundle the excess length of the supplied wire harness using supplied zip ties and stow under the trim.
- 11) Reinstall any trim removed from installation.
- 12) Connect the negative battery cable.
- 13) Verify system operation.

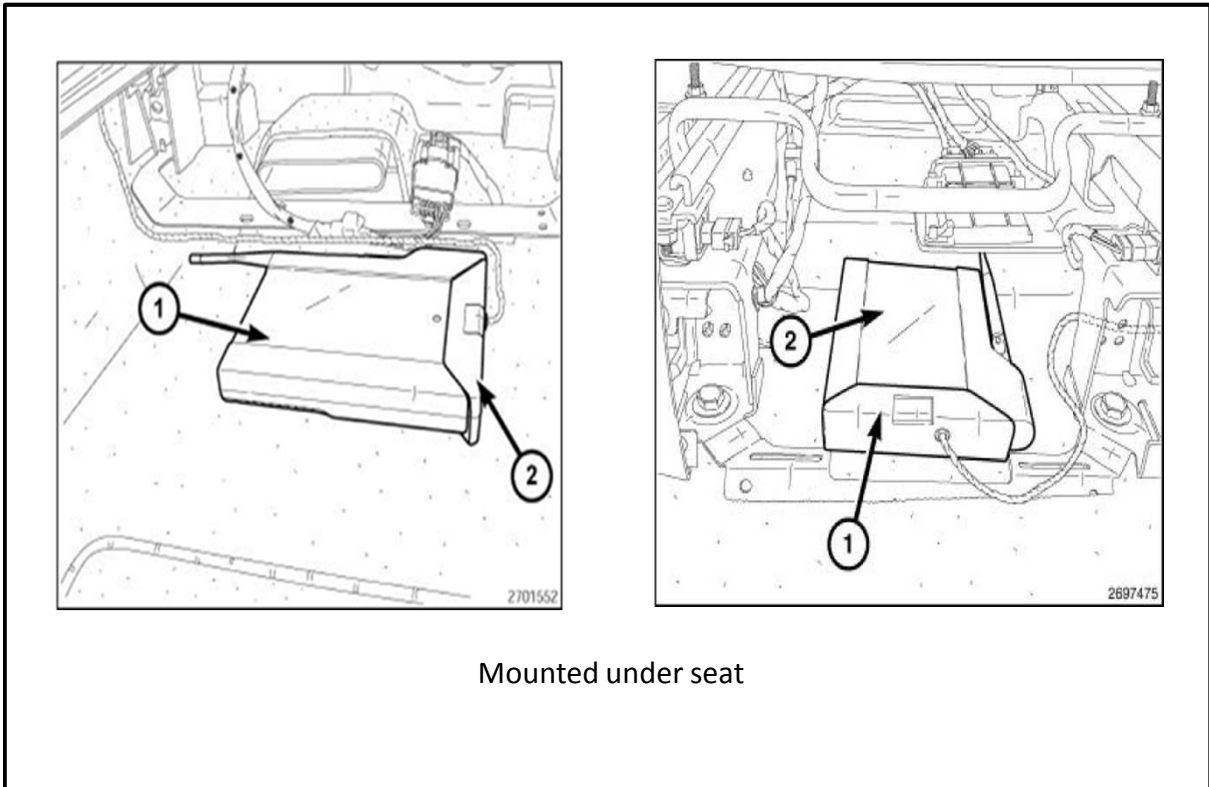


Appendix

Common places to install router



Mounted in load floor compartment

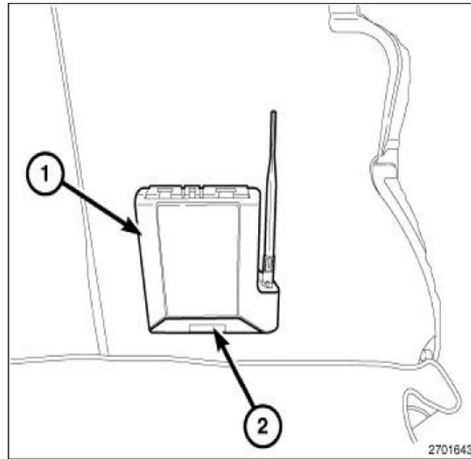


Mounted under seat

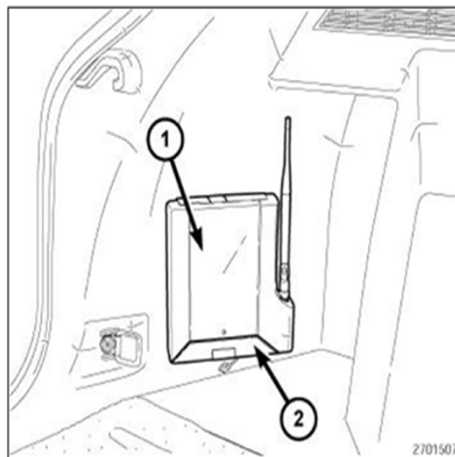


Appendix

Common places to install router cont.



Mounted on back side of rear seat



Mounted to trim of rear cargo area



Appendix

T-Harness connection

