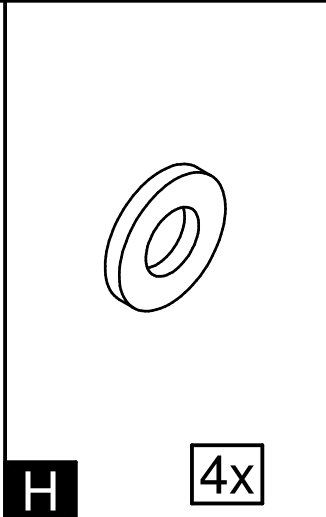
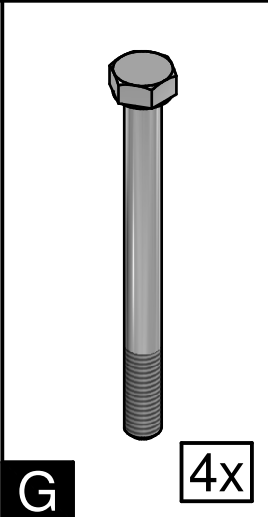
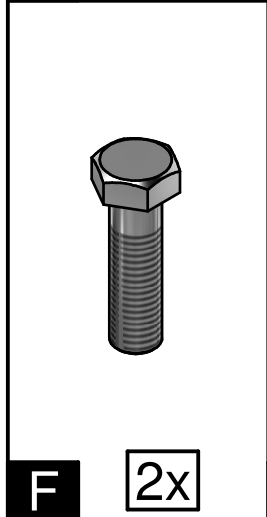
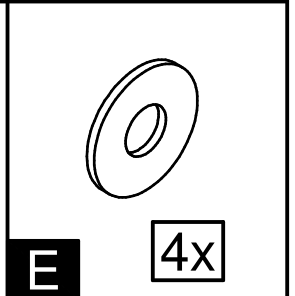
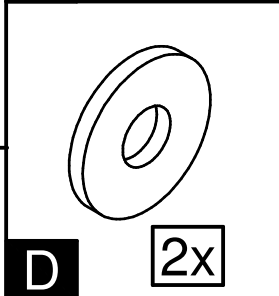
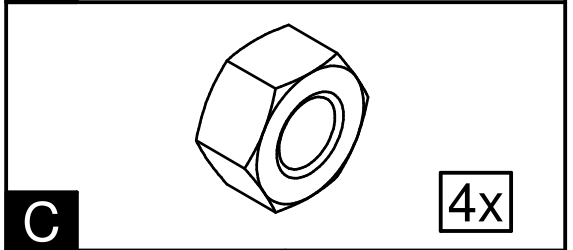
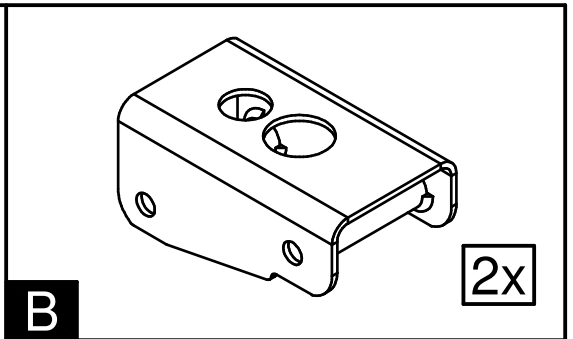
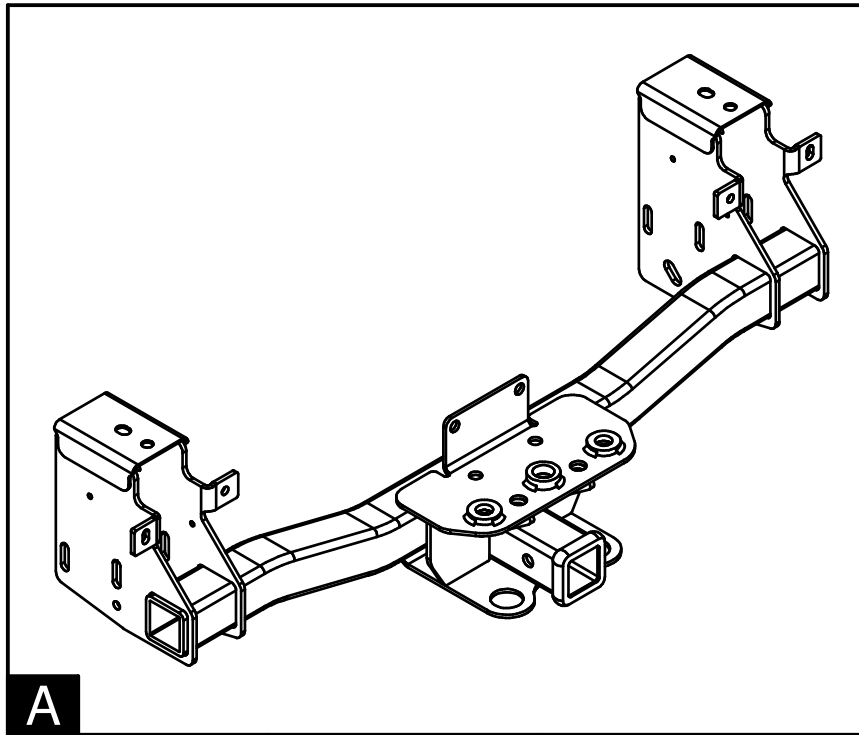


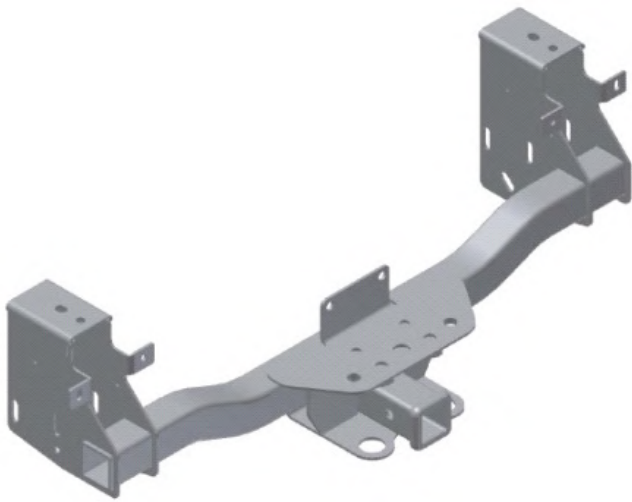


DODGE RAM

82212510

Receiver Kit, Trailer Tow

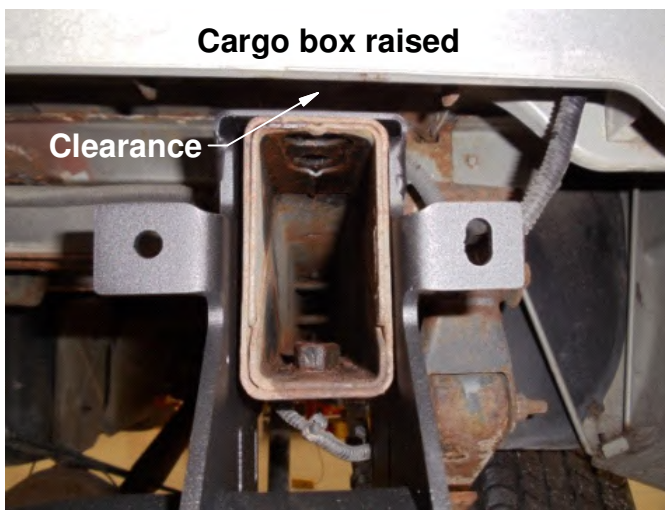




1 Hitch member assembly



2 Remove (6) M12-1.75 x 55mm bolts attaching the cargo box to the frame using a 18mm socket and extension. Save for use later.



3 Lift cargo box with an overhead hoist or floor jack until the end of the frame is accessible as shown.



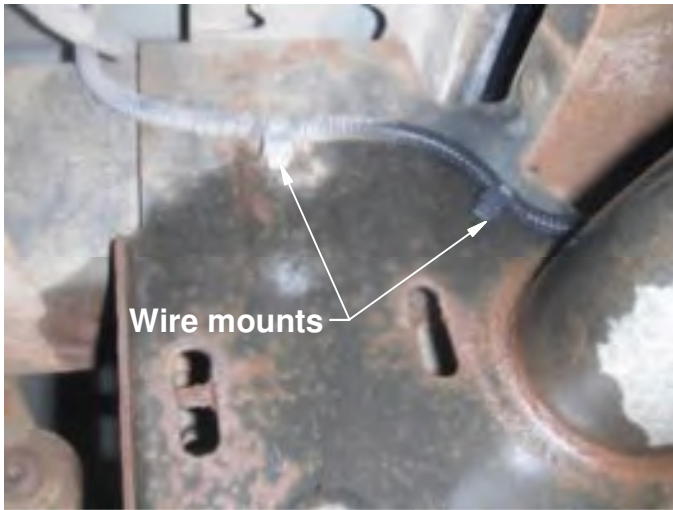
4 Place block between frame and cargo box, lower cargo box onto blocking.



5 Remove (4) M10 flange nuts, (2) per side, with a 15mm socket and discard.



6 Remove (2) bolt tabs, (1) per side and discard. **SUPPORT BUMPER DURING BUMPER MOUNT REMOVAL.**



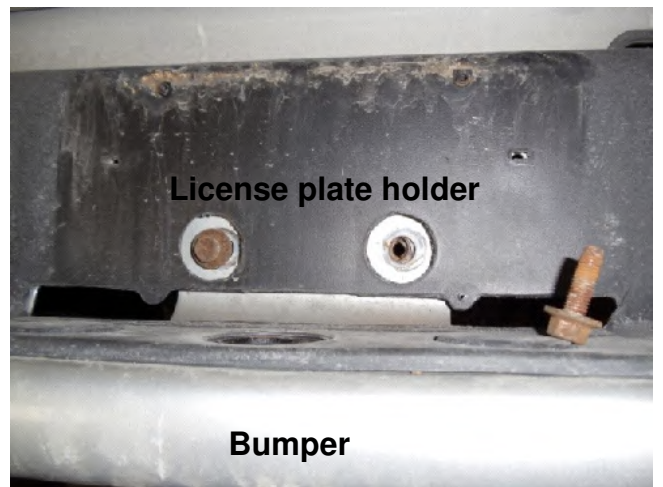
7 Remove electrical wire tabs from bumper mount



8 Remove (2) M10 flange nuts from the bumper mounting arms using a 15mm socket. Save for later use.



9 Remove (2) flag bolts from bumper mount (1) per side. Save for later use.



10 Remove (2) bolts from bumper using a 15mm socket. Save bolts and clipnuts for later use.



11 Remove (2) remaining bolts from bumper using a 15mm socket. Save for later use.

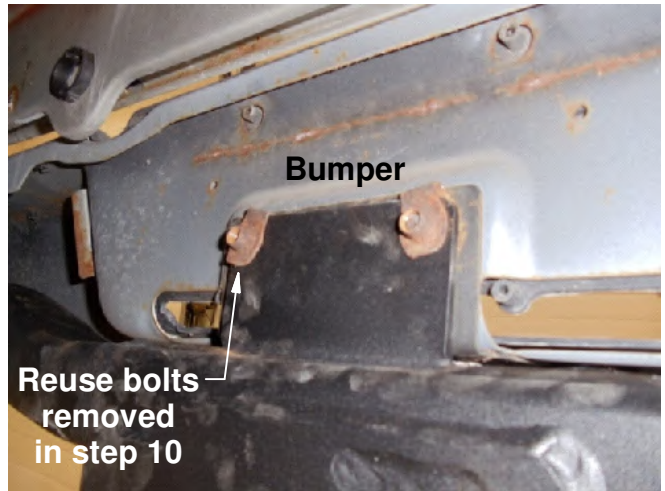


12 Remove (2) M14 bolts from lower bumper mounting bracket using a 21mm socket. Save for later use.



13

Remove bumper from vehicle, then slide the bumper mount beam off.



14

Reinstall clipnuts removed in step 10. Install (2) - M10 bolts in the center - mount bracket torque to 15 lb-ft.



15

Receiver hitch

Slide Receiver hitch onto the frame rails.



16

Cargo box lowered

Raise the cargo box, remove blocks, and lower back onto the frame.



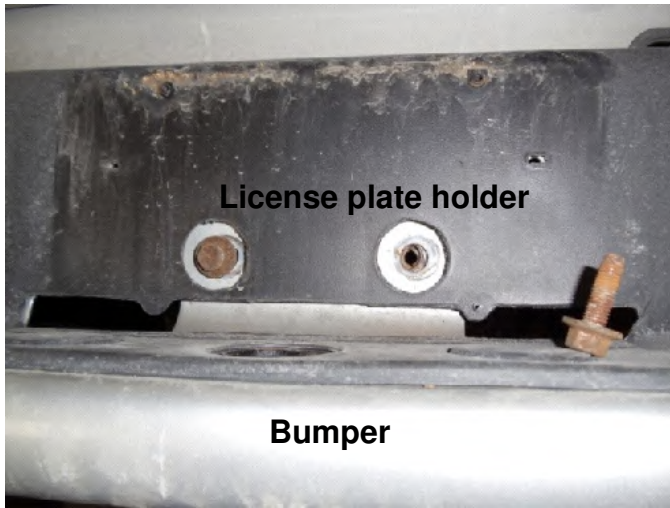
17

Square the cargo box to the frame and cab of the truck. Loosely reinstall the bolts removed in step 2.



18

Torque all (6) M12 bed bolts to 88 lb-ft.

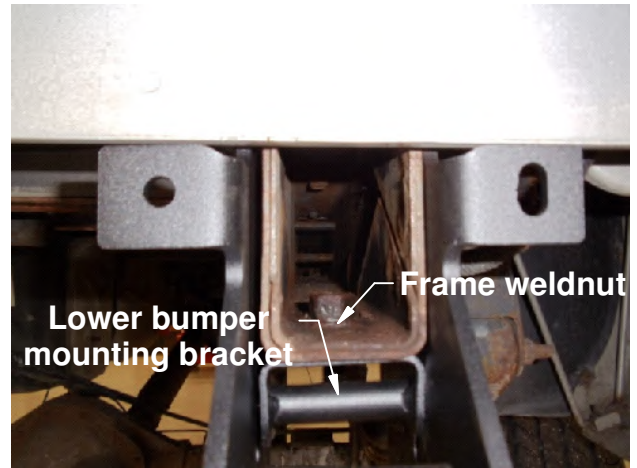


License plate holder

Bumper

19

Attach rear bumper to the hitch assembly.

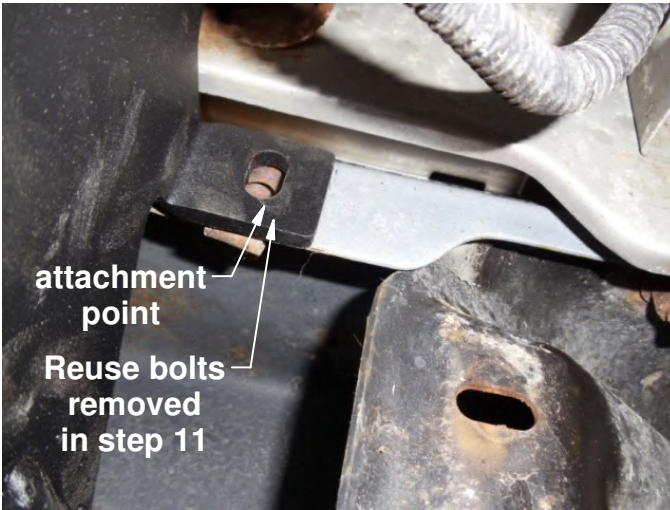


Lower bumper mounting bracket

Frame weldnut

20

Install (2) lower bumper mounting brackets and attach with (2) supplied M14 bolts into frame weldnuts. Torque M14 bolts.

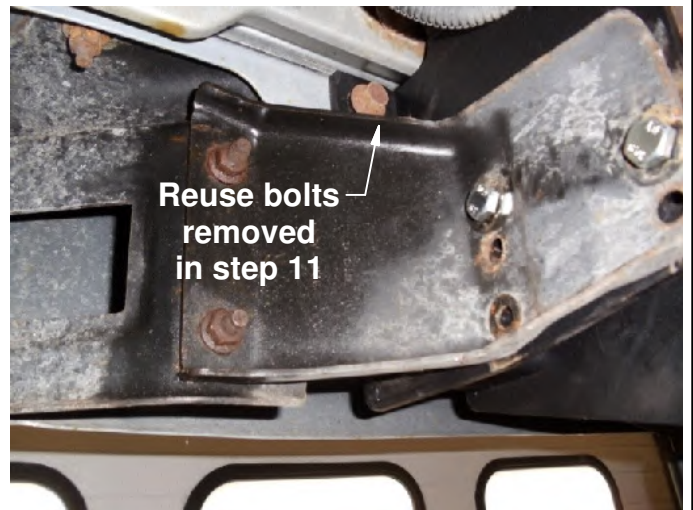


attachment point

Reuse bolts removed in step 11

21

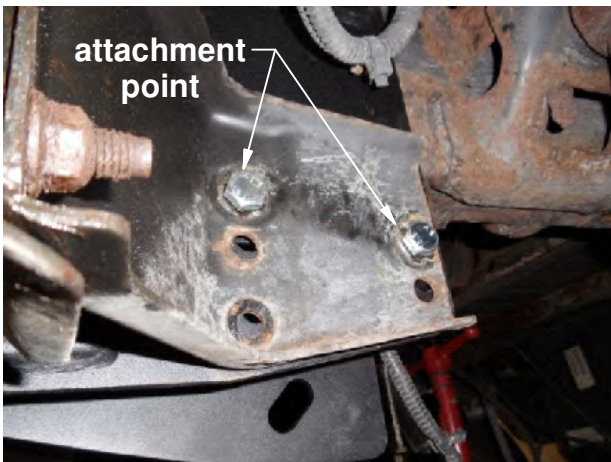
Install (1) - M10 bolt on the drivers side outboard - Bumper to hitch mounting brackets



Reuse bolts removed in step 11

22

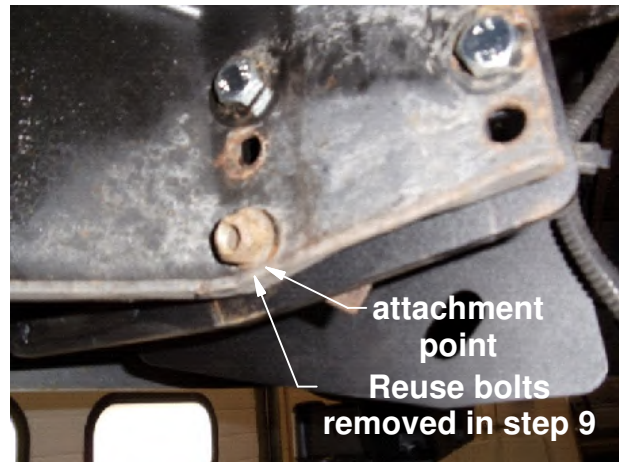
Install (1) - M10 bolt on the passenger side outboard - bumper to hitch mounting brackets



attachment point

23

Attach bumper support arm to hitch, both sides; using (2) M10 x 110 mm bolts for each side. Secure with supplied M10 nuts.



attachment point

Reuse bolts removed in step 9

24

Re-install M10 bolts with flag nuts, (1) per side, attaching the bumper reinforcement bracket to the hitch. Install license plate

Tighten all bolts

Torque bolts to specifications

M10 fasteners to 56 lb-ft

M14 fasteners to 153 lb-ft

**Route and install the wiring harness
as shown in the photos below**

25



Outboard passenger side

26



Inboard passenger side



Outboard driver side



Inboard driver side