



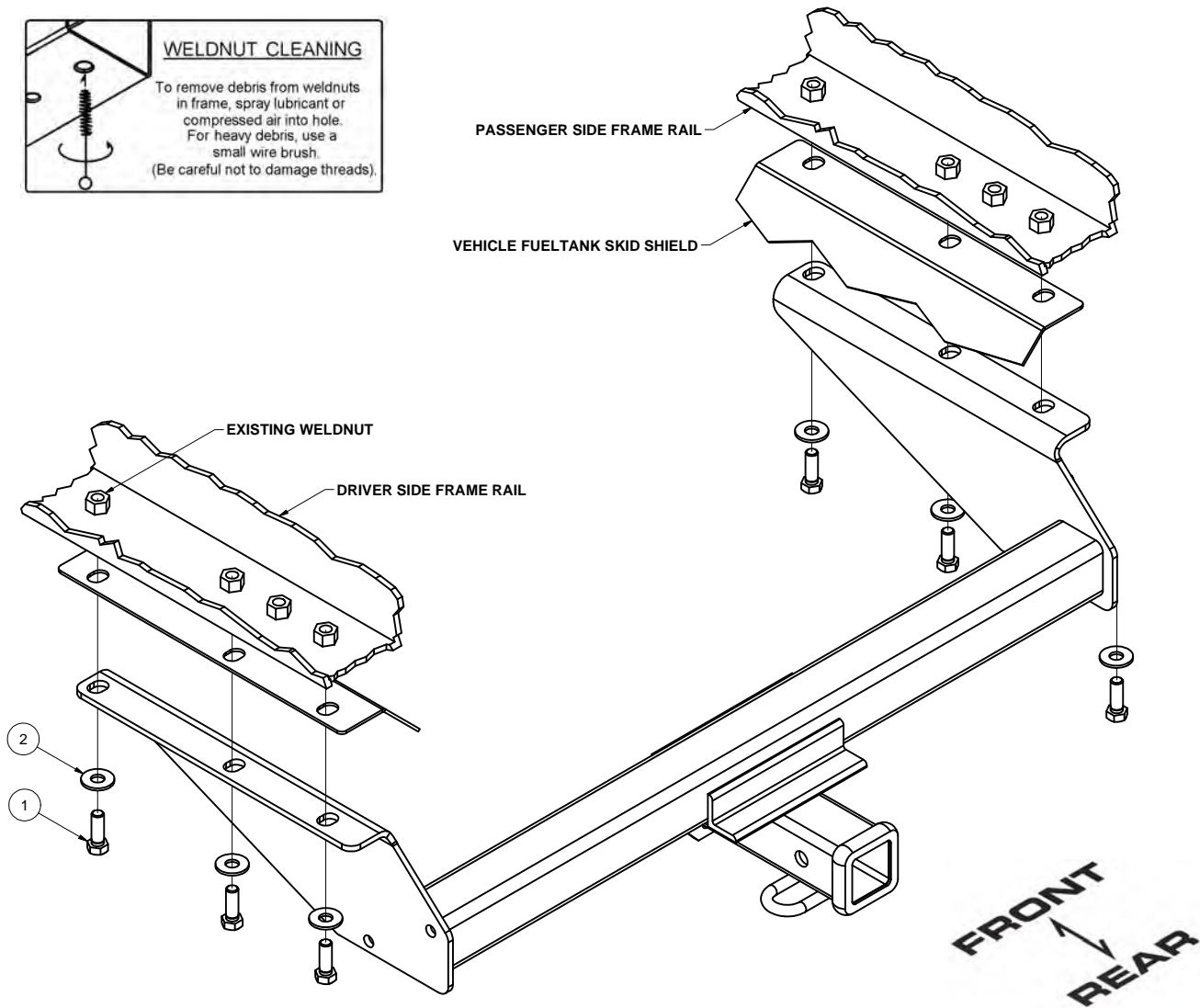
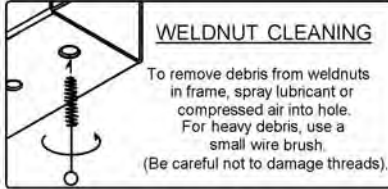
# 2001-07 JEEP LIBERTY TRAILER HITCH

## Parts List

ITEM	QTY	PART NUMBER	DESCRIPTION
1	6	M12-1.75 x 35mm	HEX TAP BOLT
2	6	1/2"	CONICAL TOOTHED WASHER

## TOOLS REQUIRED

RATCHET  
TORQUE WRENCH  
19mm or 3/4in SOCKET



## INSTALLATION INSTRUCTIONS:

- 1) Remove rear tow hook if present, tow hook cannot be used with hitch.
- 2) Support the fuel tank skid shield, then remove the (6) M12 fasteners securing the fuel tank skid shield to the frame rails if equipped, discard fasteners.
- 3) Raise the hitch into position, sandwiching the fuel tank skid shield between the frame and the hitch, loosely install M12 fasteners with 1/2" conical washers.
- 4) Torque all M12 fasteners to 65 lb-ft (88 N•m).