



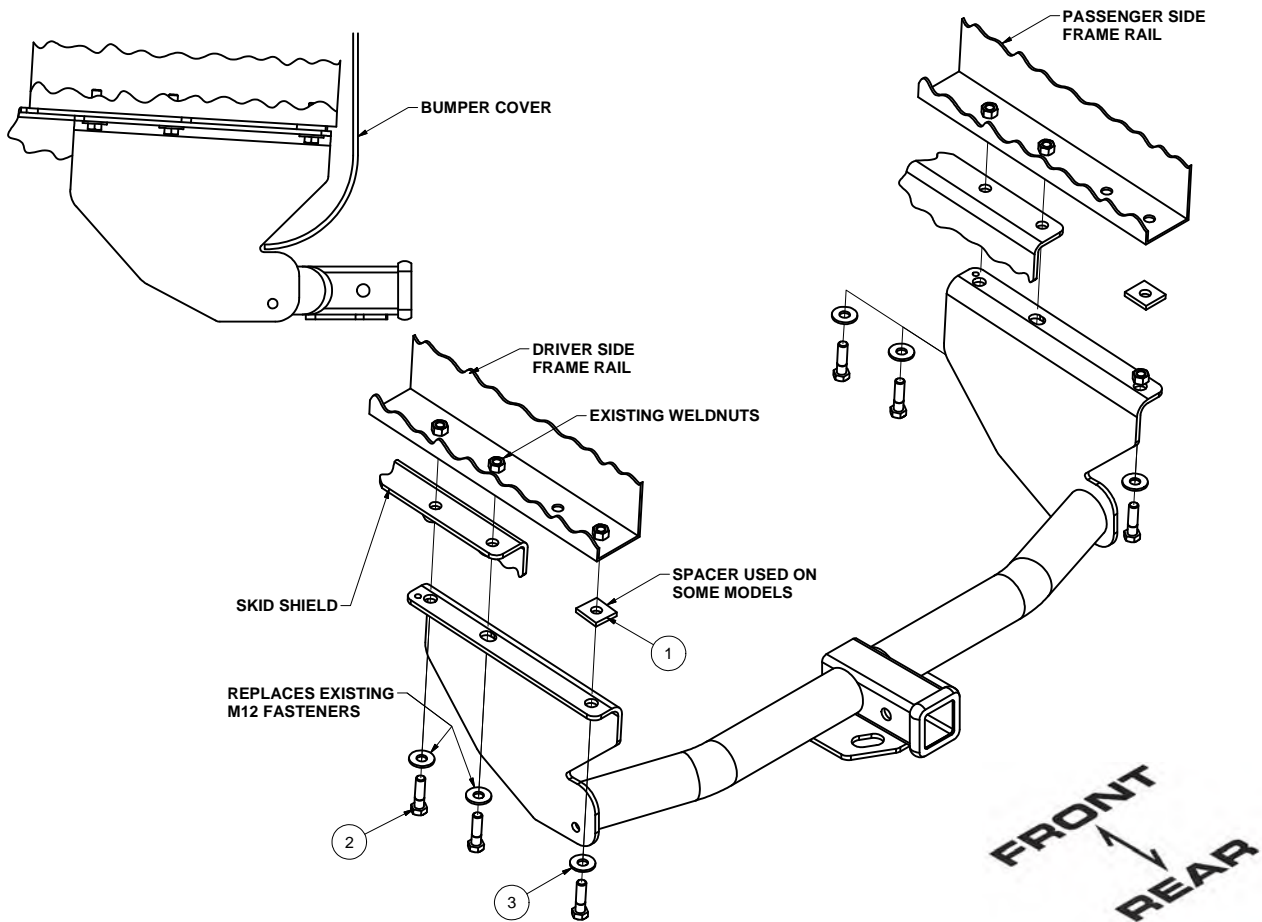
# 1999-04 JEEP GRAND CHEROKEE TRAILER HITCH

Parts List

ITEM	QTY	PART NUMBER	DESCRIPTION
1	2	CM-SP25	.250 x 1.38 x 1.50" ROUND HOLE SPACER
2	6	M12-1.75 x 45mm	HEX BOLT
3	6	1/2"	CONICAL TOOTHED WASHER

TOOLS REQUIRED

RATCHET
TORQUE WRENCH
19mm or 3/4in SOCKET



## INSTALLATION INSTRUCTIONS:

- 1) Remove rear tow hook if present, tow hook cannot be used with hitch.
- 2) Support the fuel tank skid shield, then remove the (6) M12 fasteners securing the fuel tank skid shield to the frame rails if equipped, discard fasteners.
- 3) Raise the hitch into position and loosely install the four M12 fasteners with 1/2" conical washers.
- 4) Place spacers between the frame and hitch before installing the supplied M12 hex bolts and conical washers as shown. Spacers are not required on vehicles equipped with skid shield supports. Remove the support bolts to install hitch.
- 5) With spacers or support bars between hitch and frame torque all fasteners to 65 lb-ft (88 N•m).