



MOPAR®

**FRONT BUMPER WINCH MOUNT
FOR 10TH ANNIVERSARY RUBICON**

K6861890

Last Updated: 07/11/13

PLEASE READ BEFORE YOU START

TO GUARANTEE A QUALITY INSTALLATION, WE RECOMMEND READING THESE INSTRUCTIONS THOROUGHLY BEFORE BEGINNING ANY WORK. THESE INSTRUCTIONS ASSUME A CERTAIN AMOUNT OF MECHANICAL ABILITY AND ARE NOT WRITTEN NOR INTENDED FOR SOMEONE NOT FAMILIAR WITH AUTO REPAIR.

INCLUDED PARTS	QTY	REQUIRED TOOLS
Winch Plate	1	Power Drill
Fairlead Bracket	1	Electric Saw or Air Tool w/ Cutting Wheel
Vacuum Pump Bracket	1	1/2" Drill Bit
OLI Bracket	1	Various Metric Wrenches and Sockets
Hardware Pack	1	Tape Measure
		Torque Wrench
		Deburring Tool

A. PREPARING VEHICLE FOR WINCH PLATE KIT INSTALLATION

* Refer to Service Manual procedure.

1. Raise and Support the Vehicle.
2. Remove the Front Bumper Skid Plate and save all fasteners.*
3. Disconnect the vehicle wiring from the fog lamps.*
4. Carefully remove the Front Bumper and Tow Hooks and Save the Fasteners*. Place the Bumper on a Work Surface.
5. Remove the Top Bumper Décor Plate and save all fasteners.*
6. Remove the Front Cover Décor Plate – These parts will not be re-installed.*
7. Carefully remove BUT DO NOT DISCARD the plastic filler panel in front of the grille.* You need to trim this piece and re-use it later. Save fasteners – Refer to Section G

B. WINCH KIT ASSEMBLY

1. Assemble the Winch Plate (A) and Fairlead Bracket (B) Together. Use the four (4) M10 Hex Head Bolts, Washers and Nuts (Fig. 1). Torque (34 ft-#/44 N-m). 15mm and 17mm Tools.
2. Install the vacuum pump bracket (C) to the winch mount (Fig. 1) with Two (2) M8 Bolts, Nuts, and Washers – Torque (16 ft-#/22 N-m). 13mm Tools.
3. Install the OLI bracket (D) to the Winch Mount (As Shown) with two (2) M8 bolts, Nuts, and Washers – Torque (16 ft-#/22 N-m). 13mm Tools. **NOTE: this Bracket is ONLY REQUIRED to be installed, if installing MOPAR Winch Kit #82213746.**

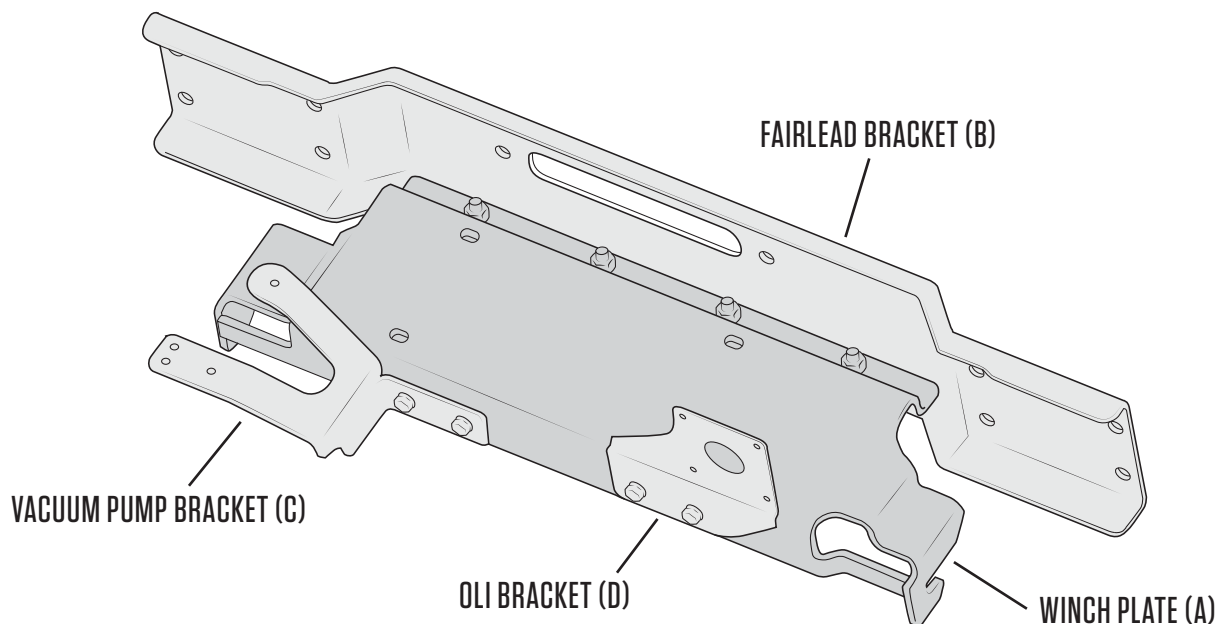


Figure 1

C. MODIFYING THE VEHICLE FOR WINCH KIT INSTALLATION

1. Drill out the Lower Mounting hole to 1/2" dia, (Fig. 2), to allow a 12mm bolt to pass through. Deburr the edges of the hole and apply a rust inhibitor to all the bare edges.
2. Remove the OEM vacuum pump from the bracket welded to the frame rail (hardware will not be re-used). Refer To Service Manual Procedure.
3. Disconnect the vacuum hose from the pump.
4. Unplug the Vacuum Pump Harness Connector from Vehicle Harness.
5. Modify the vehicle vacuum pump bracket (Fig. 3) by trimming off the OEM bracket to maximize clearance to all winches. Deburr the edges and apply a rust inhibitor to the bare edges.

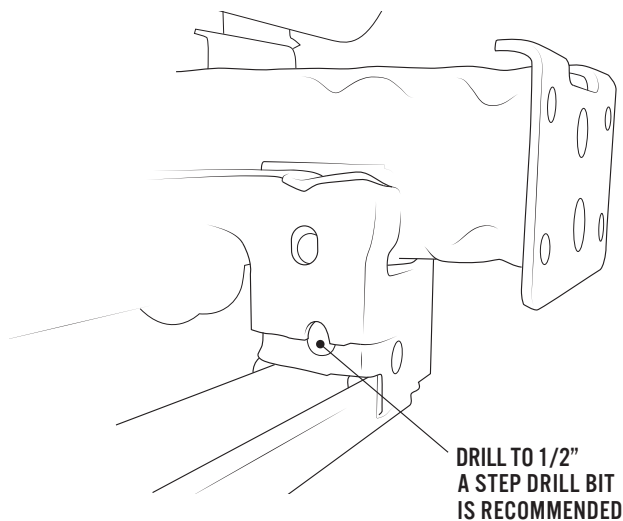


Figure 2

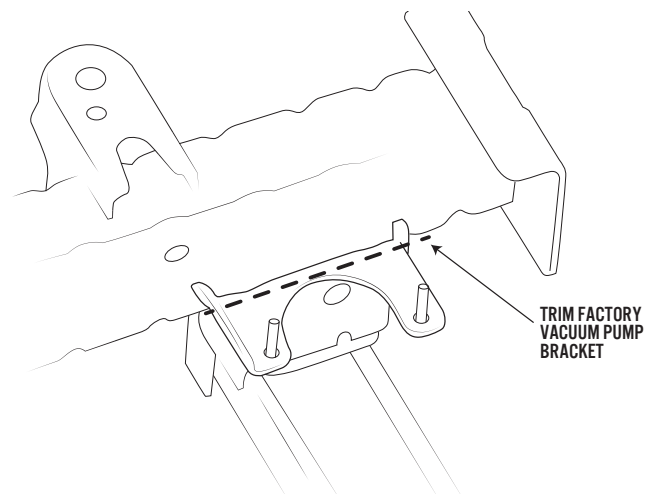


Figure 3

D. INSTALLING THE WINCH MOUNTING KIT COMPONENTS ON THE VEHICLE

1. Mount the vacuum pump to the bracket (C) installed in step B-2, using the two (2) M6 bolts, nuts, and washers (Fig 4.) – Torque (7ft-# - 9 N-m).

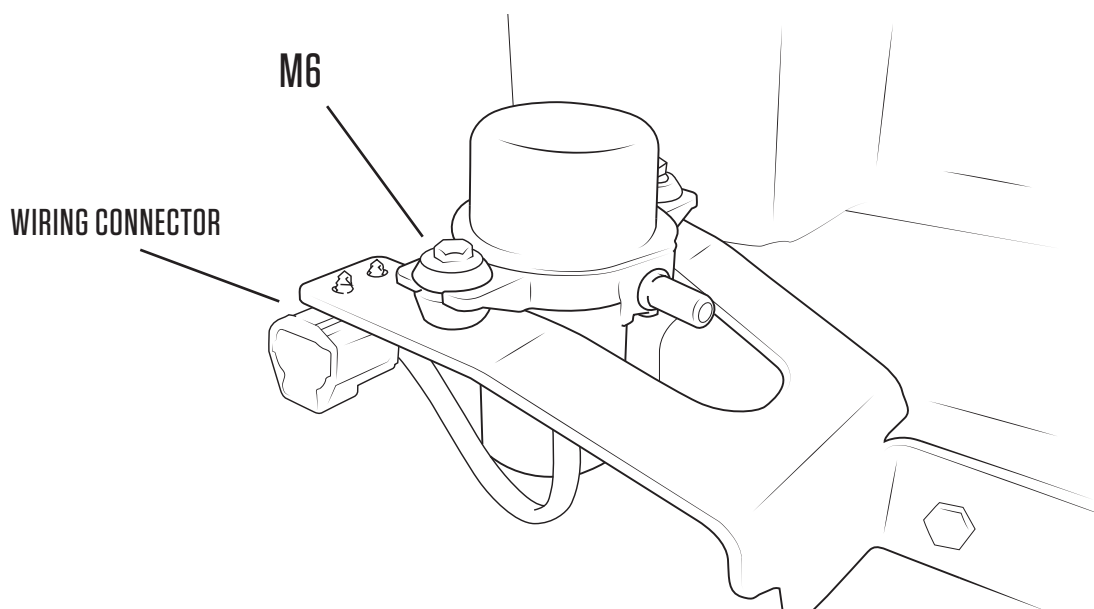


Figure 4

2. Position the Winch Mount Assembly from Step B, onto the Vehicle Frame Rails (Fig. 5).
3. Orient Hardware as shown (Fig. 5) for a proper installation of the Winch Mount Assembly. There are three (3) 40mm diameter washers supplied (4.5mm thick) and one (1) 26mm diameter washer supplied (2.5mm thick), all of which may not be needed for the installation.
4. Check the gap between the winch mount and frame rail (Fig. 5) – Shim, as necessary, using the washers provided.
5. Bolt the winch mount to the lower frame attachment points (19mm tools) using the Two (2) M12 hex head bolts, washers, spacers and nut plates (Fig. 5)— Torque to 55ft-#-74 N-m.
6. Re-connect the vacuum hose to the vacuum pump – Tie-wraps are supplied in the fastener pack (if needed) to secure the vacuum hose away from vehicle components.
7. Re-connect the Vacuum pump harness connector to the vehicle harness.
8. Attach the wiring connector (Fig. 4) to the vacuum pump bracket. Tie-wraps are included in the fastener pack to secure harness away from vehicle components.

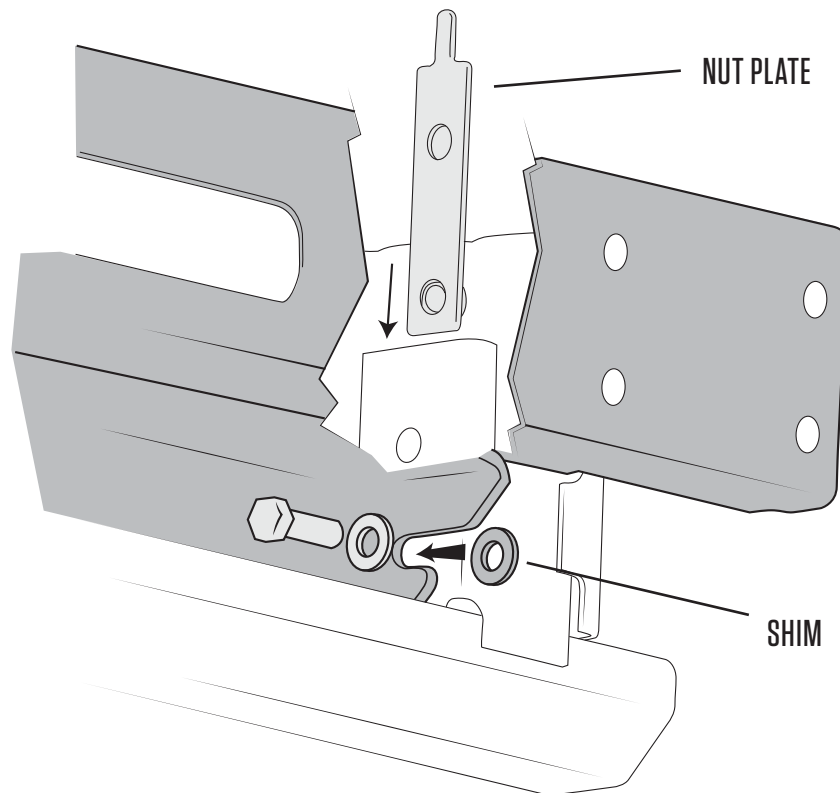


Figure 5

E. INSTALL THE WINCH FOLLOWING PROCEDURES SUPPLIED IN THE WINCH KIT.

NOTE: A M6 nut has been provided in the Hardware Kit to Connect the Winch Negative (-) Power Cable to the Battery Negative (-) Terminal Connector.

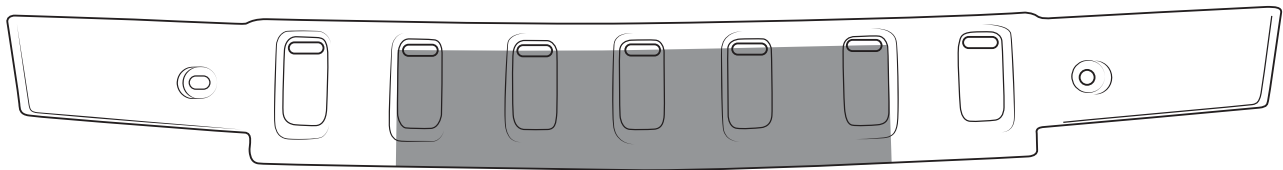
F. RE-INSTALL FRONT BUMPER

1. Re-install the Front Bumper using the Hardware removed in step A-4. Refer to Service Manual procedure.
2. Re-connect Fog Lamp Wiring to the Fog Lamps.
3. Re-install Skid Plate using the hardware removed in step A-2. Refer to Service Manual procedure.
4. Install the screws removed in step A-5 using the nuts from the bumper Decor Plate (optional).

G. MODIFY THE FACTORY BUMPER TRIM PANEL

The factory filler panel is left in place to hide the frame rails and other underbody components. However, it will be necessary to trim the panel if you are installing a winch. The following steps illustrate how to trim the panel to fit a Warn 9.5cti style winch. Because there are many different winches available in the market, your trim may vary. You can use different tools for this job. A reciprocating saw with a metal cutting blade will work fine. An air saw or hand saw will also work as well. Clean up the edges using sand paper or a razor knife.

1. Start by cutting the filler panel as shown below. Insert your saw and cut through the 5 center slots. This will give you a good starting point for most winch profiles. This trim will provide approximately 16" of width. Measure the main body of your winch and adjust this as necessary.



Remove This Section

2. Next make additional cuts to accommodate the ends of the winch. The images below show the necessary trim for the Warn 9.5cti.
3. Verify the trim panel clearance to the winch, modify if required, and re-install using the factory scrivenets saved from disassembly.

