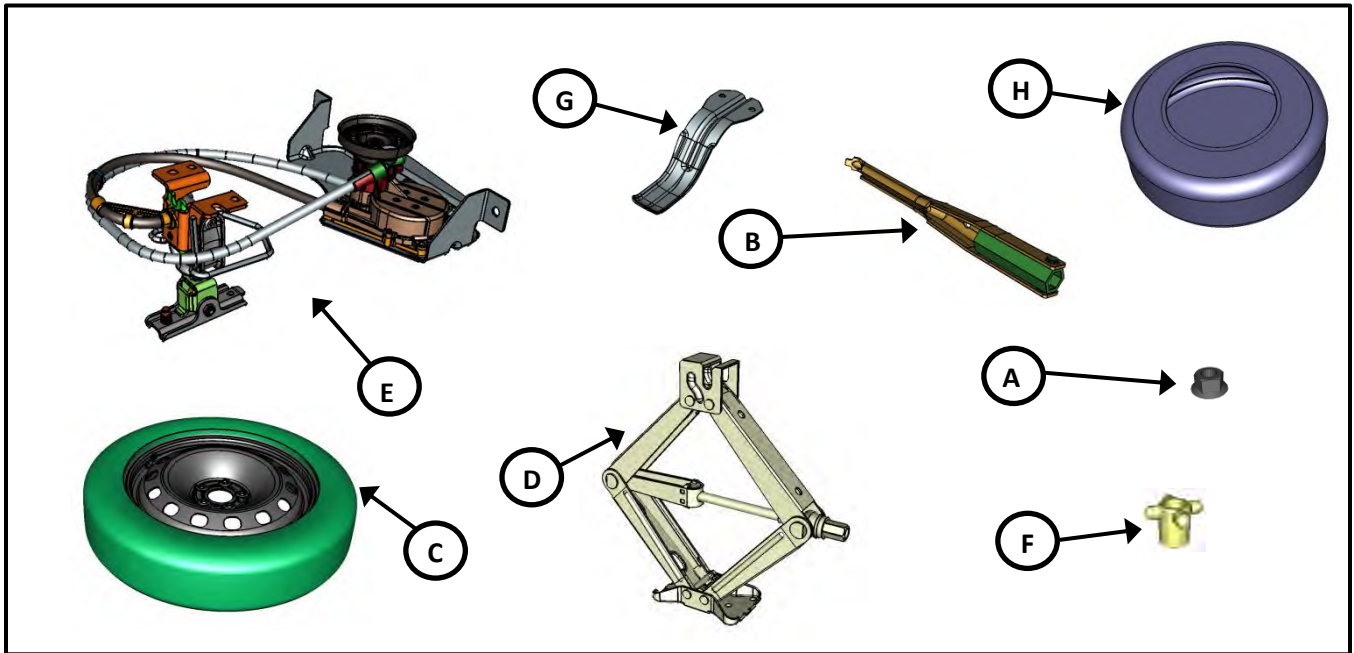




Spare Tire

FIAT 500L



CALL OUT	DESCRIPTION	QUANTITY
A	M8 Nut	11
B	Lug Nut Wrench	1
C	Spare tire	1
D	Jack	1

CALL OUT	DESCRIPTION	QUANTITY
E	Winch Assembly	1
F	Wheel Lock Knob	1
G	Bracket	2
H	Wheel Cover	1

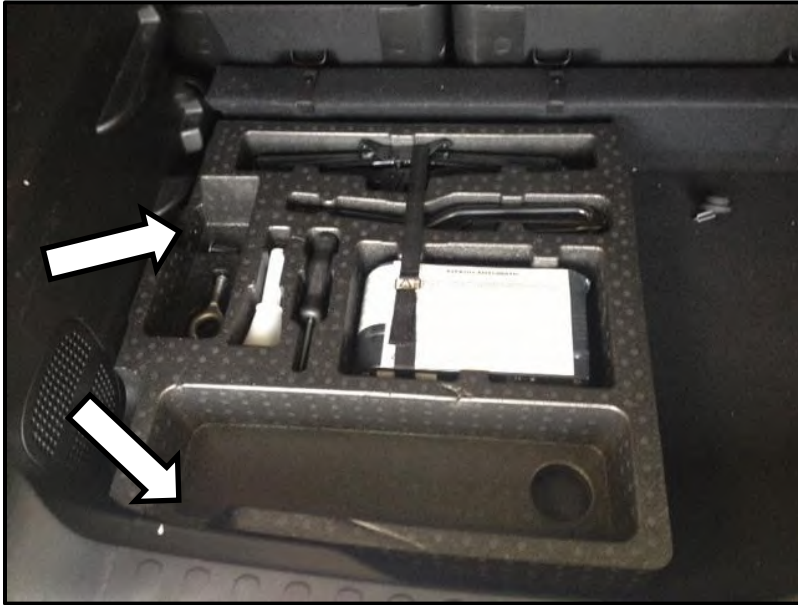
TOOLS REQUIRED	
Socket Wrench	13 mm Socket
Allen Wrench	6 mm

SPARE TIRE

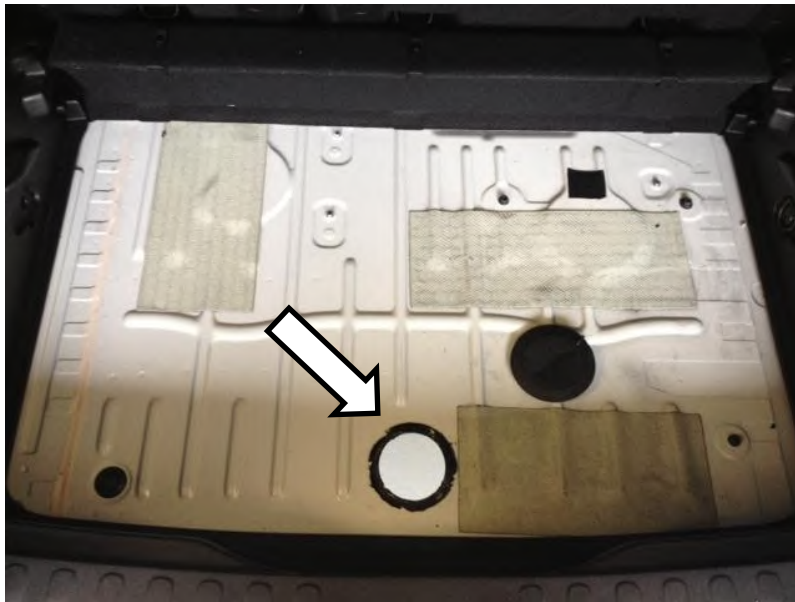
1. Mounting Location



2. Open rear hatch. Locate the emergency kit under the rear carpet. Use a 6 mm Allen wrench to remove the two fasteners that lock it in place.

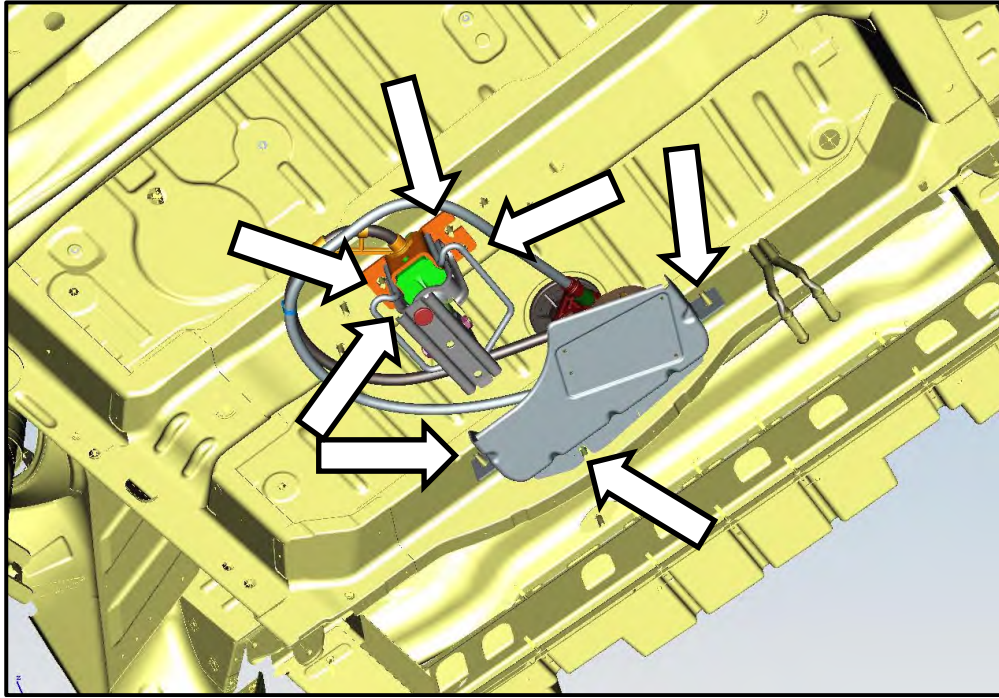


3. Move carpet to gain access to the body plug. Remove the plug and discard.

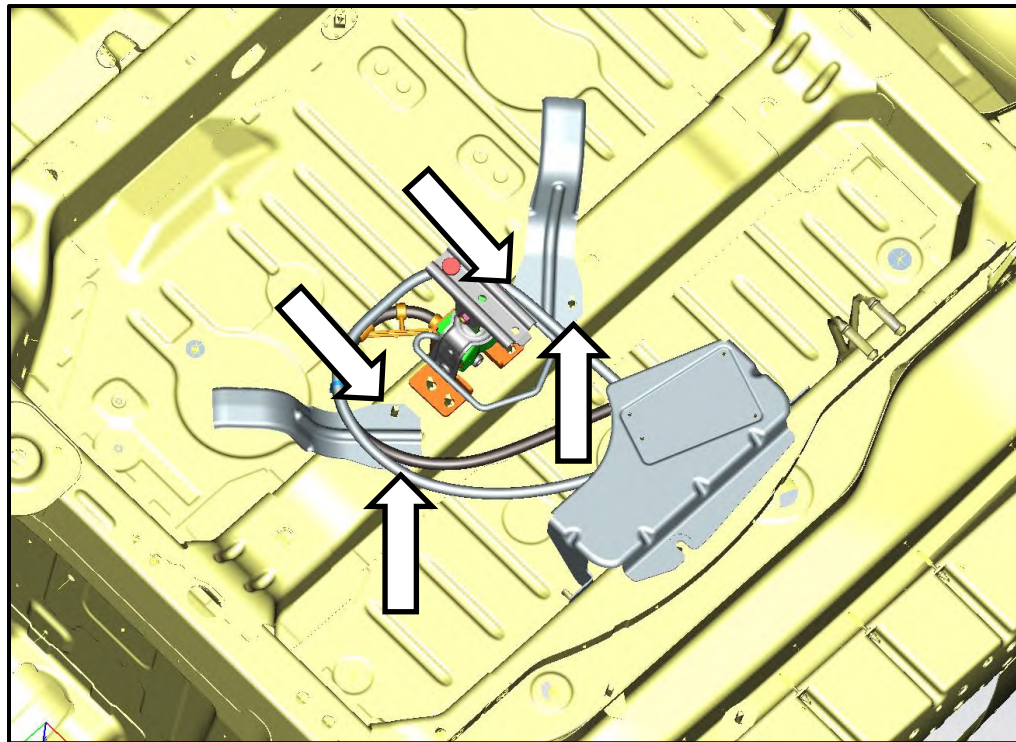


4. Raise vehicle at this time.

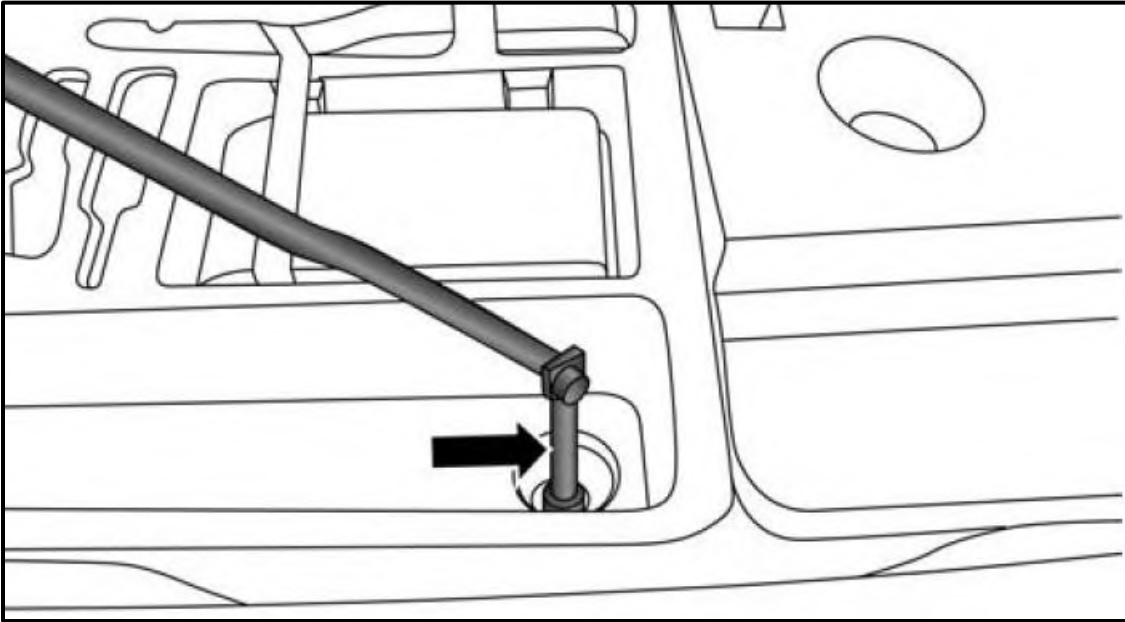
5. Place the winch assembly (E) in vehicle position and fasten in seven locations with the M8 nuts (A). Torque to 25 Nm.



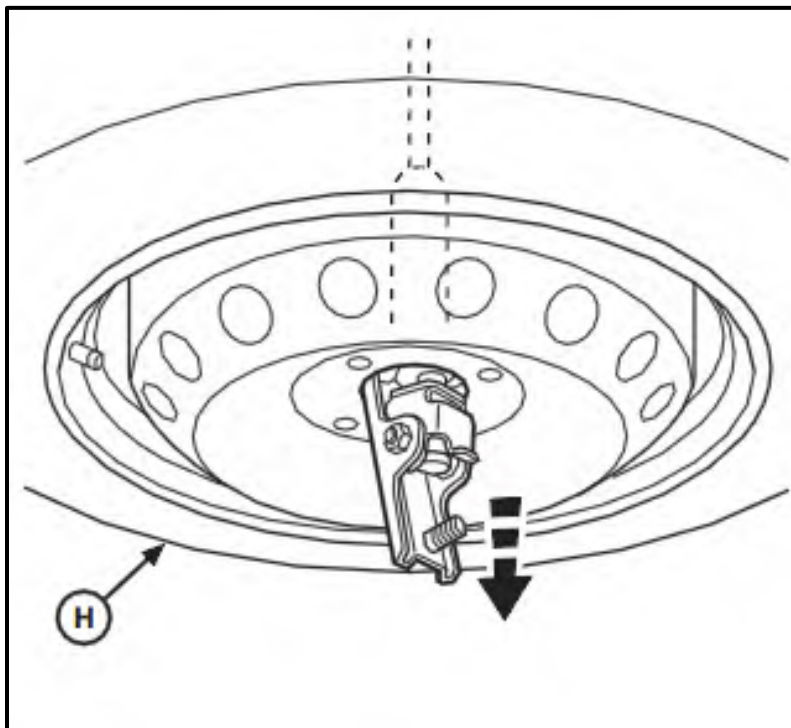
6. Install the two wheel brackets (B). Fasten with two M8 nuts each (A) and torque to 25 Nm.



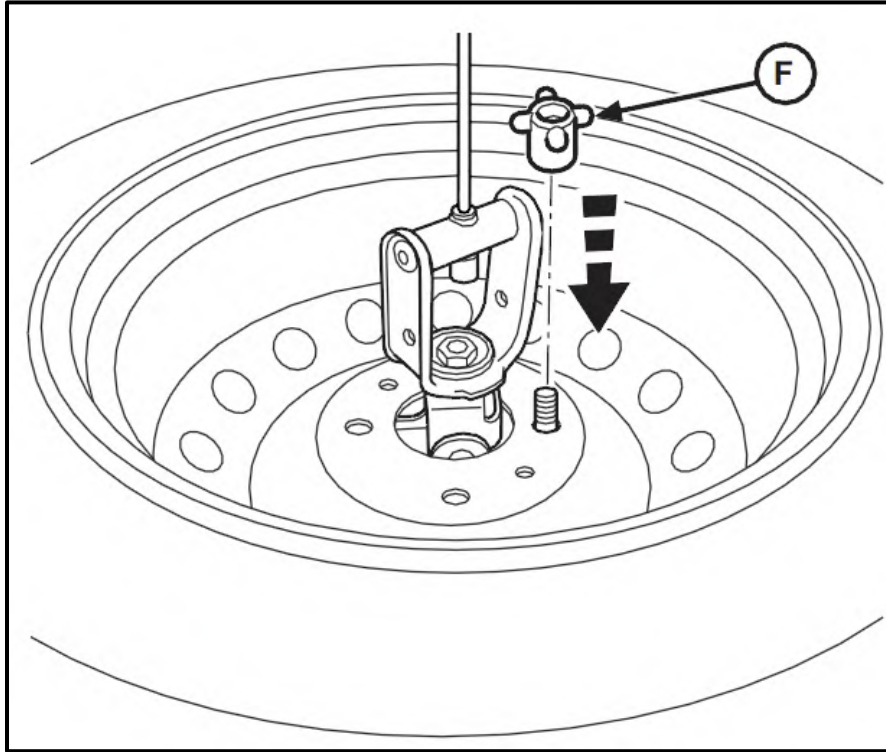
7. Extend the winch cable to allow room for the tire. Use the Lug nut wrench (**B**) to extend the cable.



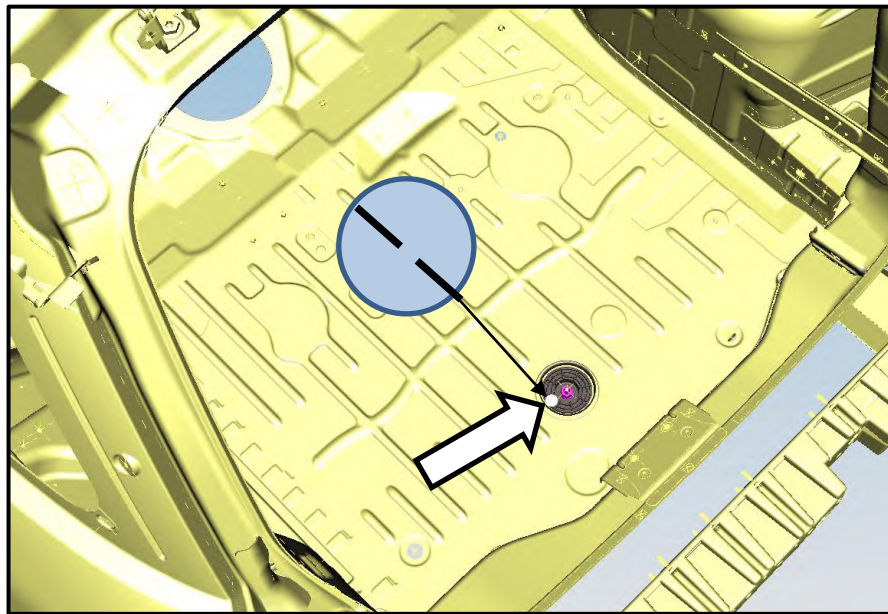
8. Lift the spare tire (**F**) into position with the stem side down. Slide the retaining shoe through the center hole as shown.



9. From the top side of the spare tire, be sure the threaded stud on the retaining shoe passes through one of the wheel lug hole. Install the wheel lock knob (F) and hand tighten securely.



10. Raise the tire with the lug nut wrench (B) until the effort increases and you hear a snap noise. Then check the transparent window for the cable end position.



11. Lower the vehicle.