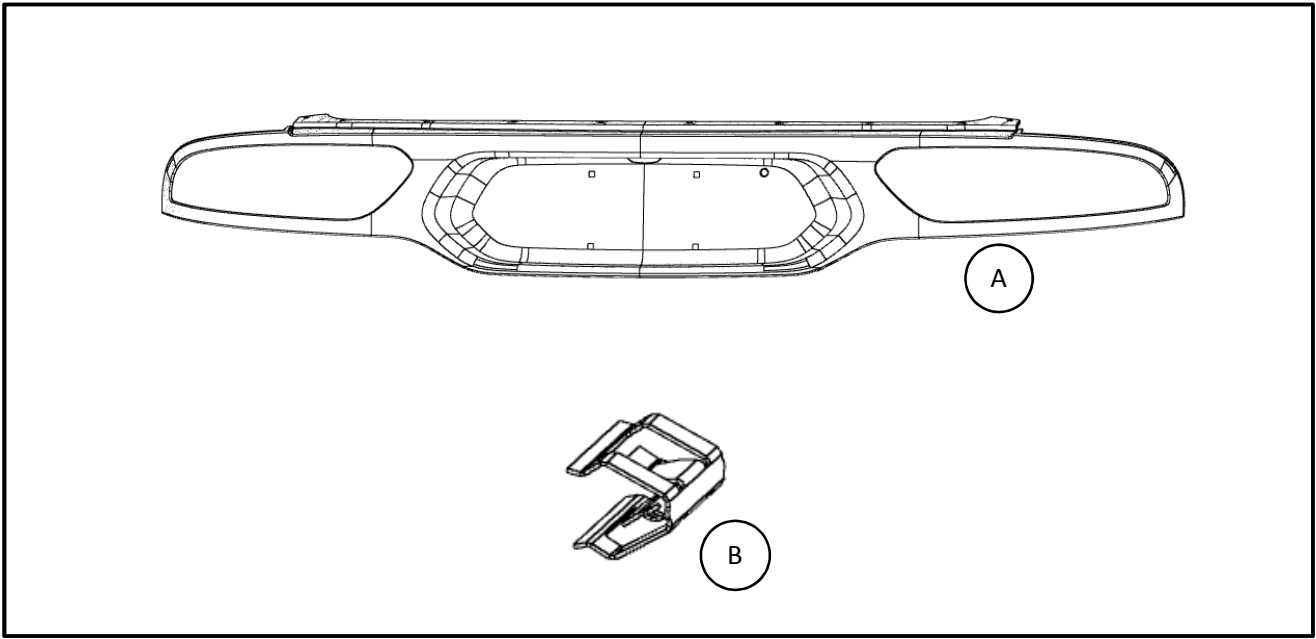




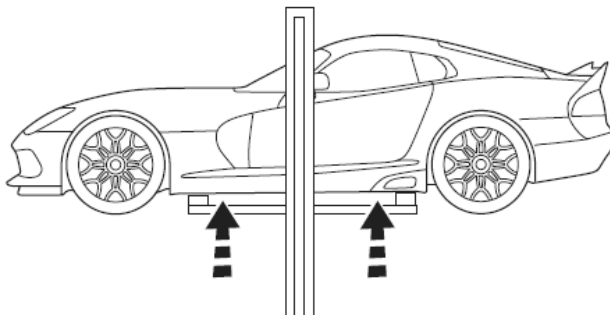
Carbon Fiber Rear Applique

Dodge Viper

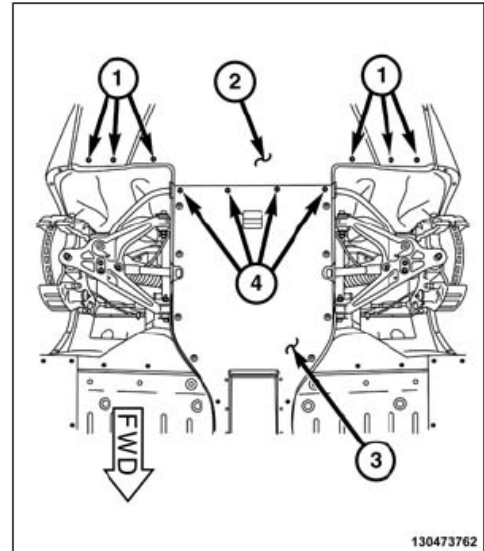


CALL OUT	DESCRIPTION	QUANTITY
A	Carbon Fiber Rear Applique	1
B	Applique Clip	6

1. Disconnect and isolate the negative battery cable.
- 2.



3. Remove the six fasteners (1) that connect the wheel well to the rear belly pan.



4. Remove the four fasteners (4) connecting the center belly pan (3) to the rear belly pan (2)

Removing the Wheels

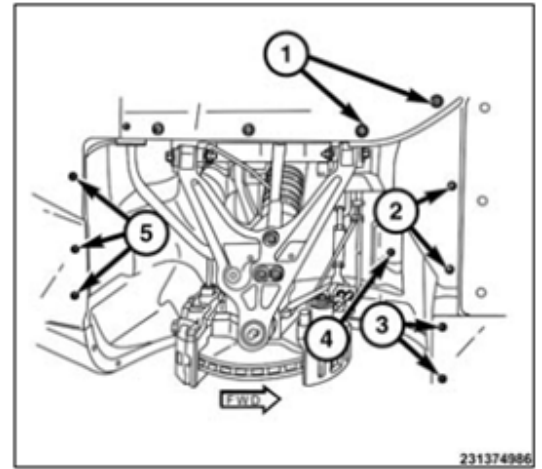
5. Remove the driver's side rear wheel by removing the six wheel mounting lug nuts (1) from the studs and sliding the tire and wheel assembly from the hub.



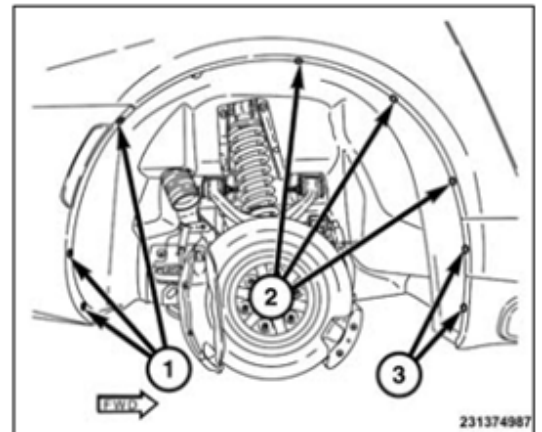
6. Repeat step 6 for the rear wheel on the passenger's side.

Removing the Wheelhouse Splash Shield

7. On the driver's side, ensure that the fasteners to the center and rear belly pan have been removed (marked as 1 & 5 in the image to the right).
8. Remove the fasteners (2) to the trunk pan.
9. Remove the sill trim panel fasteners (3).
10. Remove the upper fastener (4) from the rear wheelhouse splash shield.

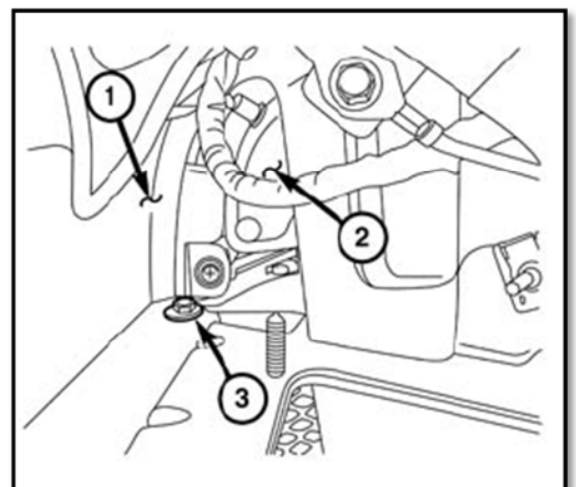


11. Remove the fasteners (1) from the rear fascia.
12. Remove the fasteners (2) from the quarter panel.
13. Remove the fasteners (3) from the sill trim panel.
14. Remove the Wheelhouse Splash Shield.
15. Repeat steps 7-13 on the Passenger-side.

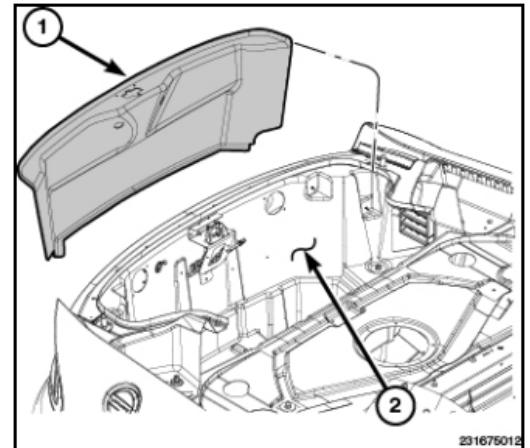


Removing Rear Fascia/Applique

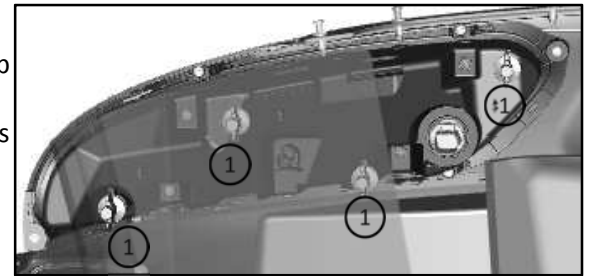
16. On the passenger-side, locate and remove the fastener (3) at the rear inner quarter panel (1) by the tail lamp (2).
17. Repeat step 16 on the Driver-Side.
18. Pull outward on the side of the fascia to unclip it from the quarter panel.
19. Repeat step 18 on the other side.
20. Disconnect the side marker lamp.
21. Disconnect the rear fascia wiring harness connectors on the right/left quarter panel mounting bracket.



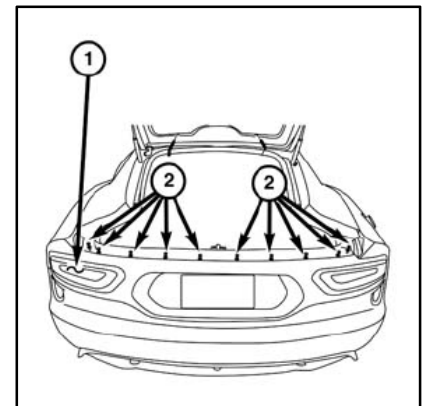
22. Open the liftgate.
23. Remove the two push pins from the latch striker area.
24. Route the liftgate weather-strip under the trunk trim panel (1).
25. Remove the trunk trim panel from the trunk pan (2)



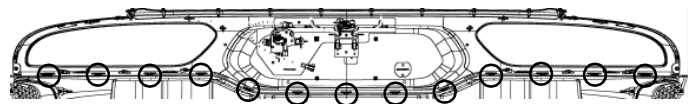
26. Remove the 4 wing nuts (1) used for mounting the tail lamp carpets).
27. Ensure the wire harness is disconnected from the tail lamps
28. Repeat steps 26 and 27 on the other side.



29. Remove the ten pushpin fasteners (2) from the rear applique (1).
30. With the help of an assistant, pull rearward to unclip the rear fascia applique (1) from the quarter panel.
31. Unfasten the lock cylinder cable.
32. Remove the rear fascia from the vehicle and place on a clean surface.

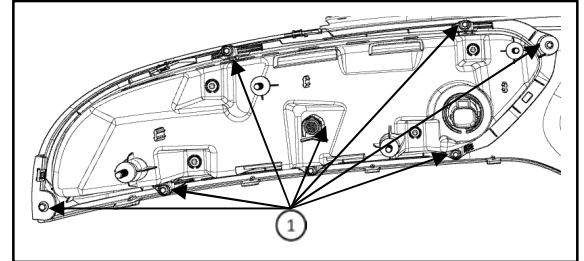


33. Unclip the applique from the fascia (thirteen clips).

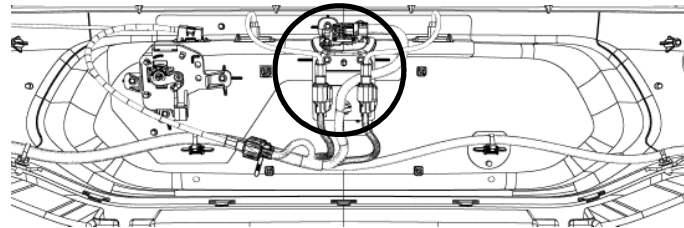


Transferring hardware from production applique to Carbon Fiber Applique

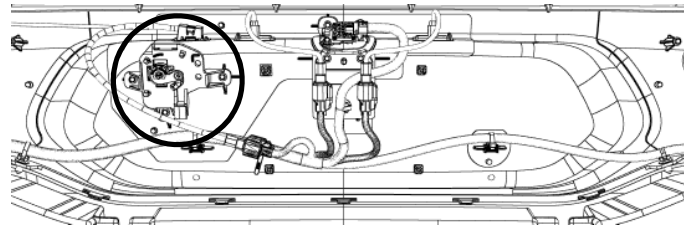
34. Remove the seven fasteners (1) that hold the tail lamp in place and transfer the tail lamp to the carbon fiber applique (A).
35. Center the tail-lamp in the opening and secure in place by tightening the seven fasteners (1).
36. Repeat steps 35 & 36 for the other tail lamp.



37. Unplug the power connectors and remove carrier plate and camera.
38. Transfer assembly to the carbon fiber applique and secure in place by tightening the fasteners.



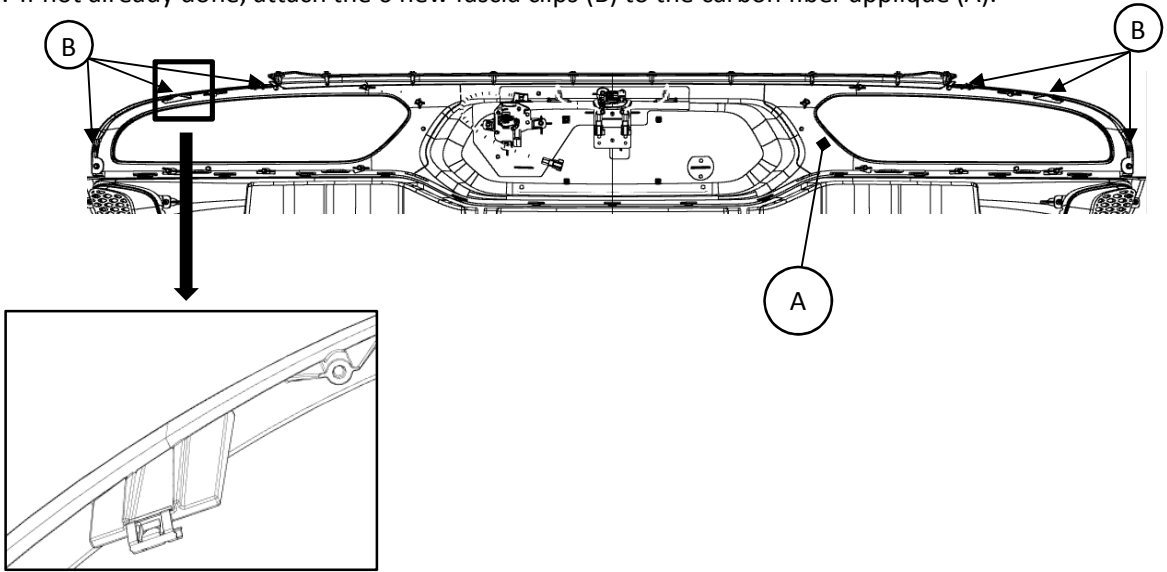
39. Remove the three fasteners that secure the lock mechanism in place.
40. Transfer assembly to the carbon fiber applique and secure in place by tightening the 3 fasteners.



41. Transfer the power harness from the production applique to the carbon fiber applique (A).
42. Clip the carbon fiber applique (A) into the rear fascia (thirteen clips). Make sure to secure the power harness.
43. Plug in the connectors for the carrier plate/camera.

Re-Assembly

44. If not already done, attach the 6 new fascia clips (B) to the carbon fiber applique (A).



45. Reverse steps 1-32 to complete install

