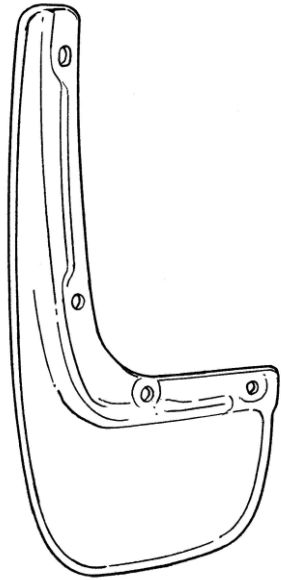




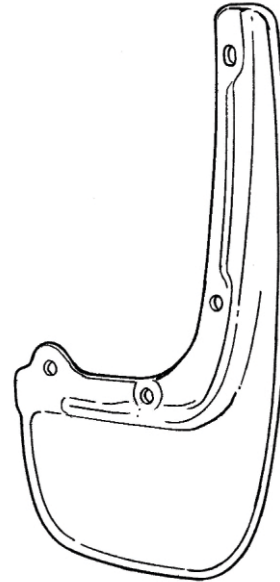
# CHRYSLER PACIFICA Rear Splashguards

Rear Right

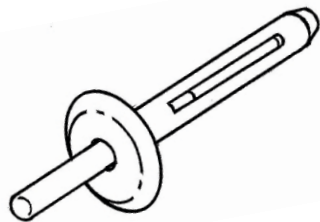


**A**

Rear Left



**B**



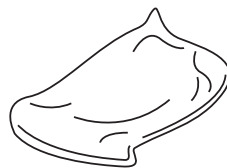
**C** 1X



**D** 1X



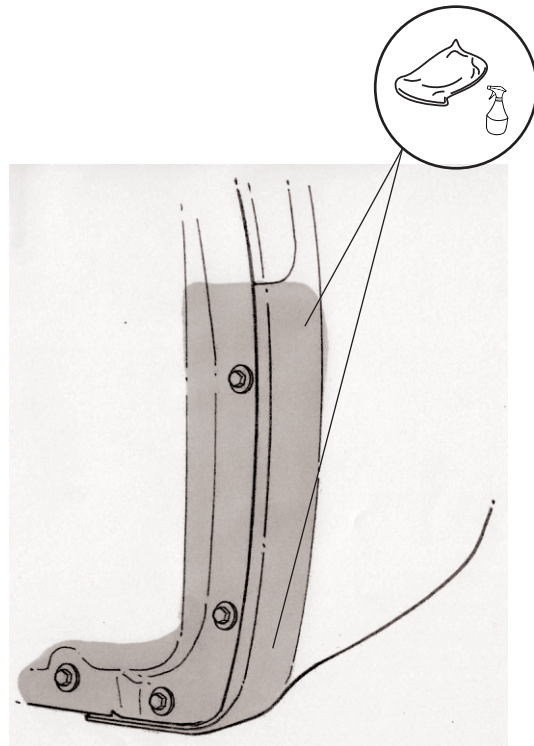
8mm Socket/Driver



3/16" (5.0 mm)  
5/16" (8.0 mm)

- Remove rear tire for drilling access, follow owners manual procedure

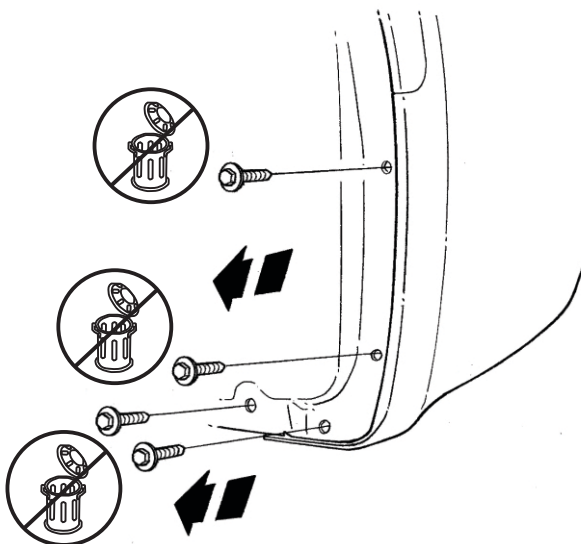
**1**



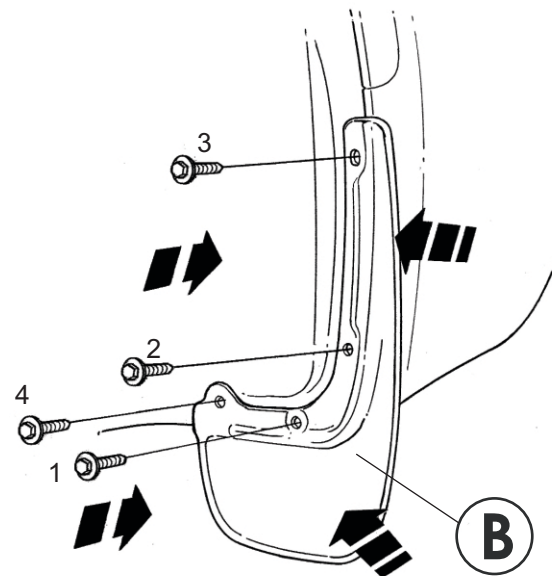
**2**

Drivers Side With  
Aero Shield

Torque: 3.8 - 4.4Nm  
(34-39 in lb)



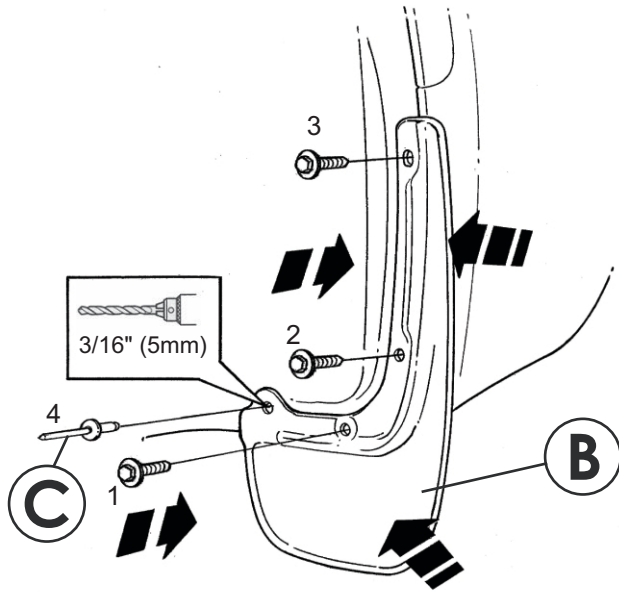
**3**



**4 A**

Drivers Side Without  
Aero Shield

Torque: 3.8 - 4.4Nm  
(34-39 in lb)



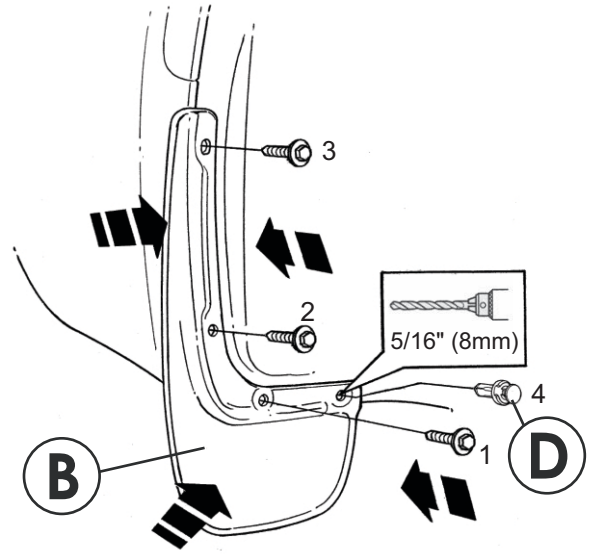
**4 B**

Reinstall rear tire, follow owners  
manual procedure

**5**

Passengers Side  
With/Without Aero Shield

Torque: 3.8 - 4.4Nm  
(34-39 in lb)



**4 C**

- GB** NOTE: Repeat steps 1-4 on the other side
- E** NOTA: Repita estos pasos 1-4 en otro lado
- F** NOTE: Répétez les étapes 1-4 pour l'autre côté
- G** ANMERKUNG: Wiederhole Schritte 1-4 auf der piher Seite
- I** NOTA: Ripetere i passaggi da 1 a 4 su lato

**6**