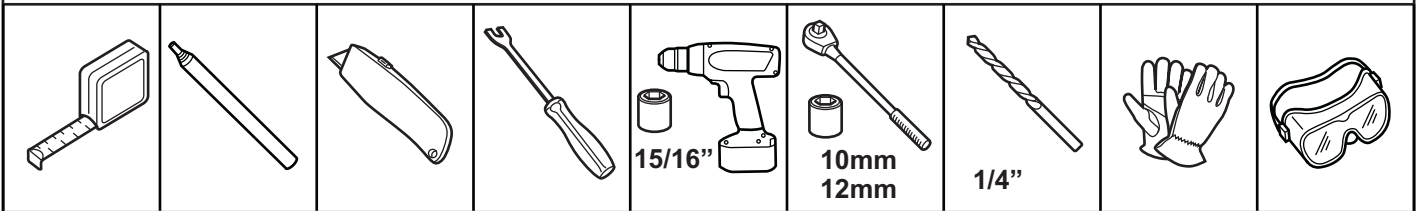
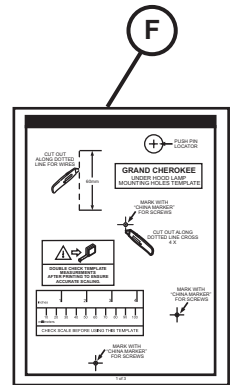
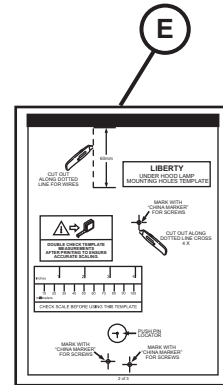
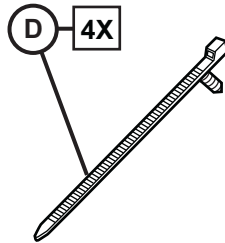
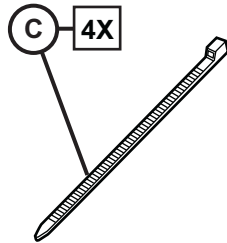
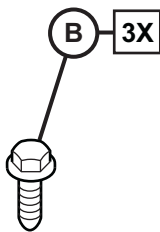
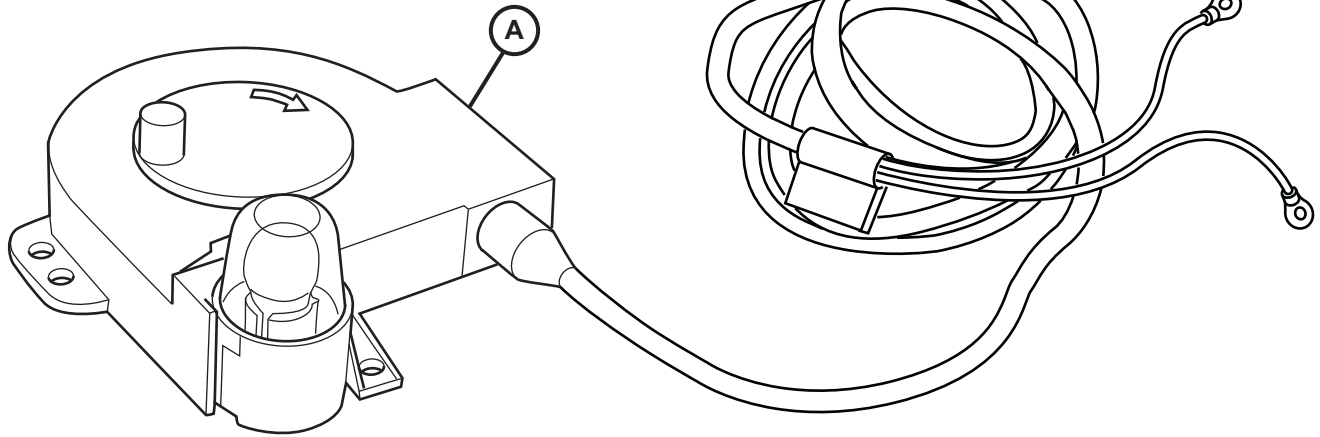




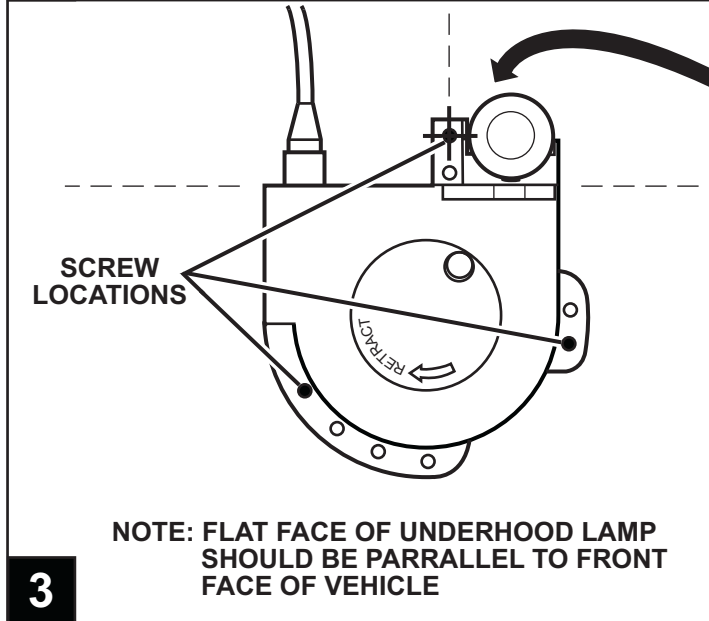
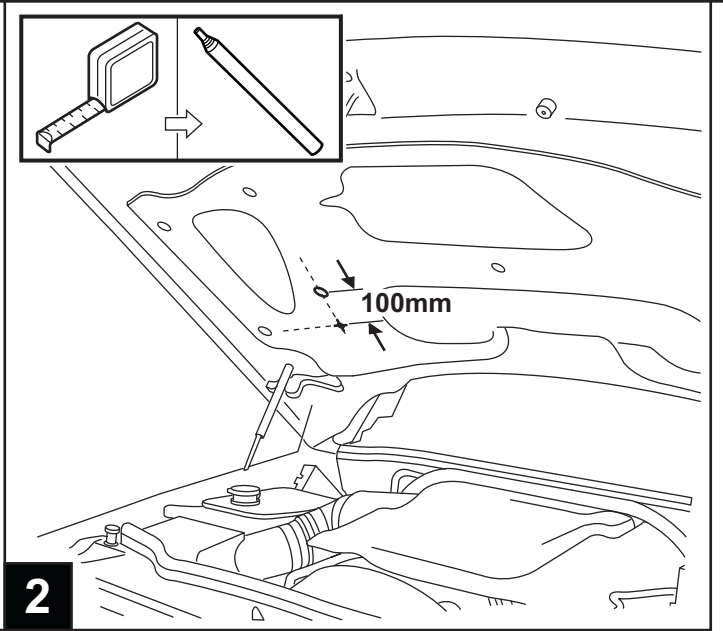
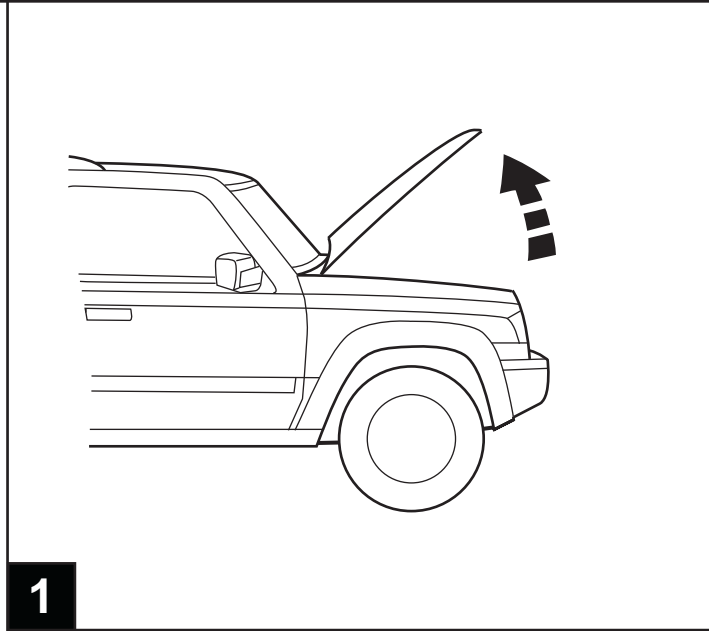
Under Hood Lamp Kit



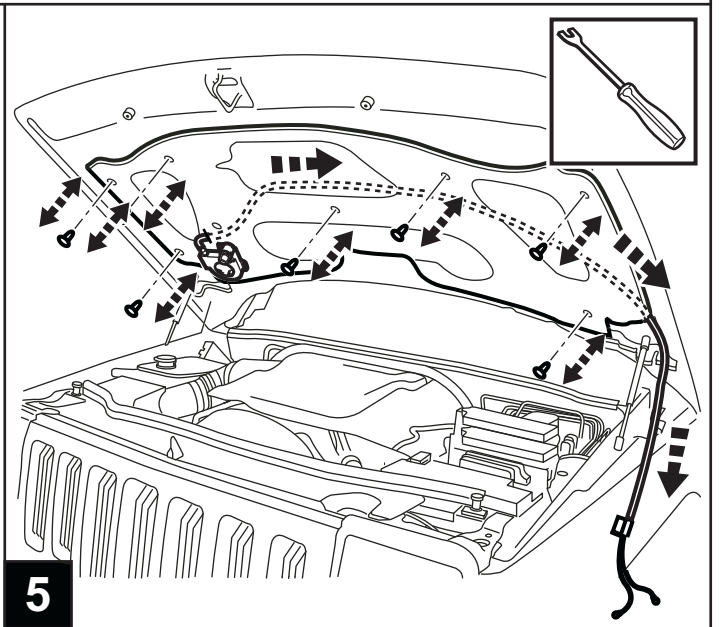
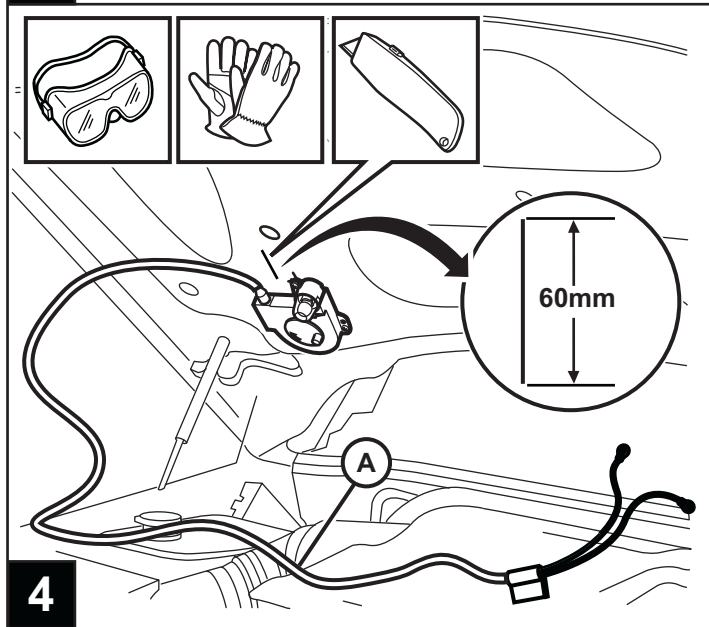
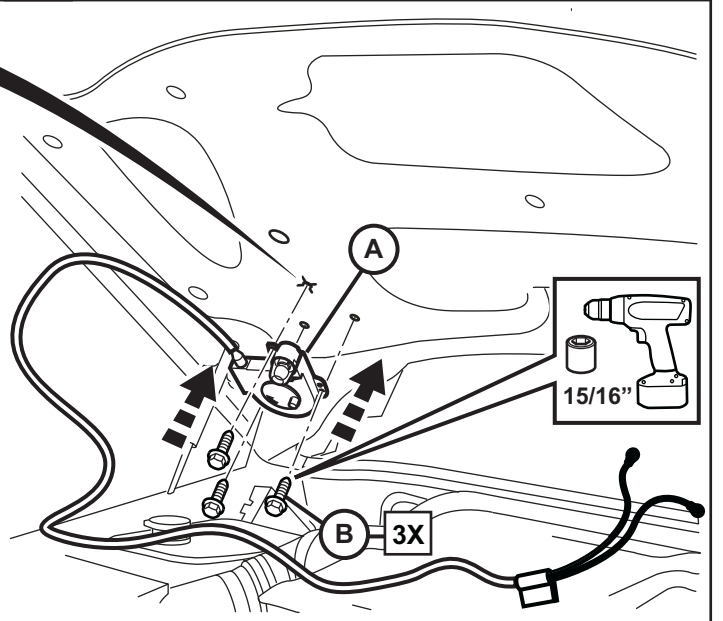
CONTENTS

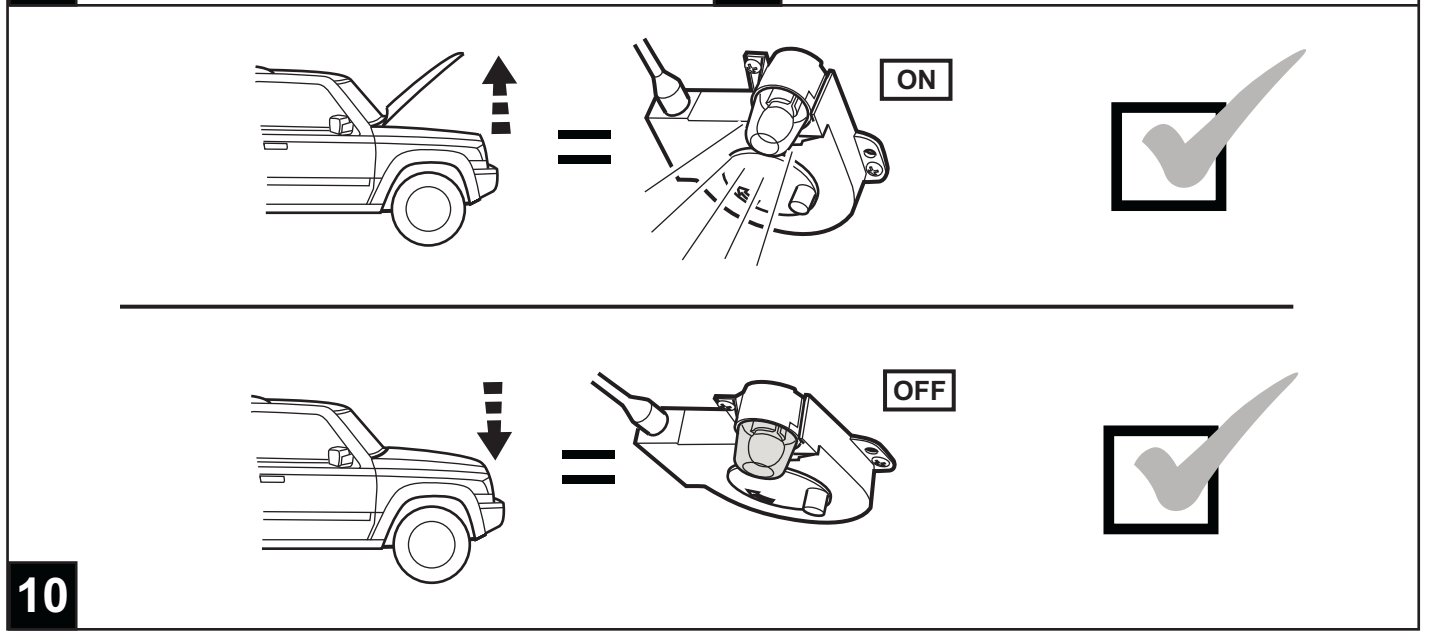
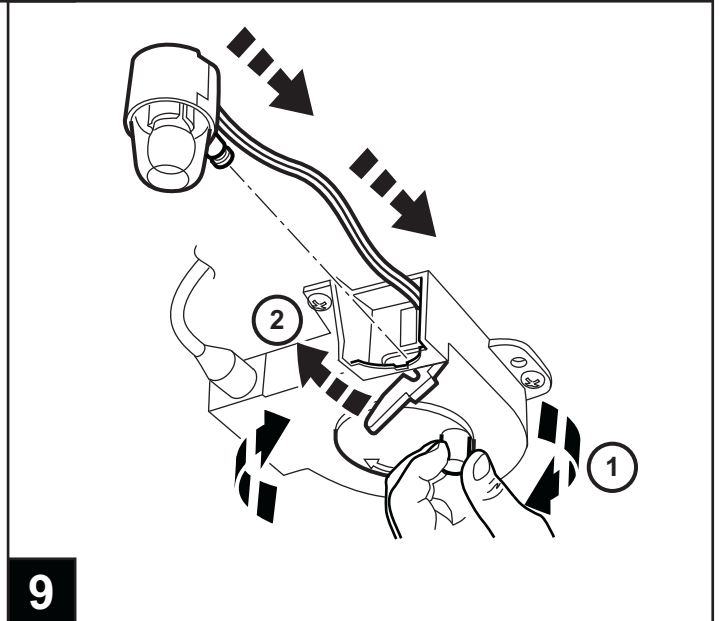
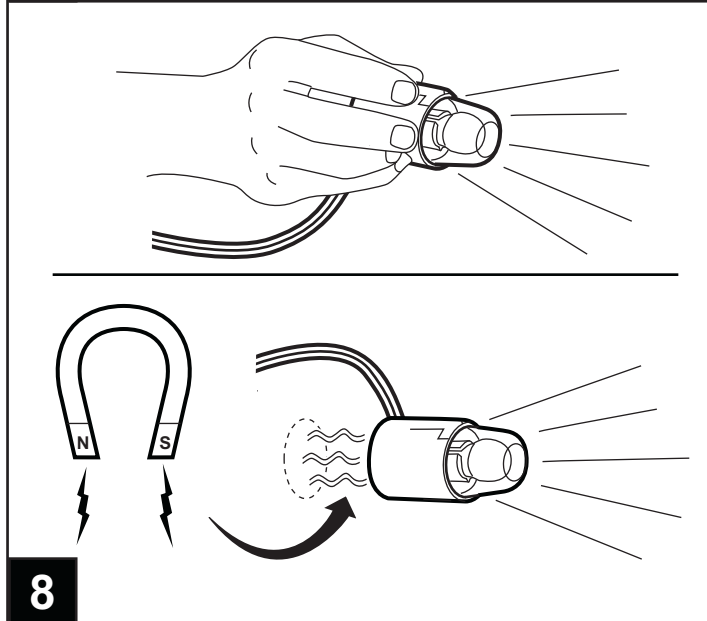
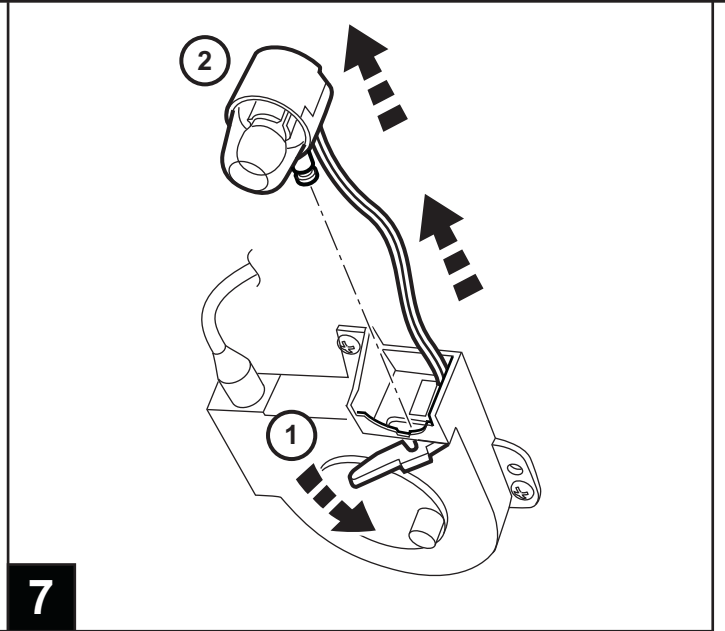
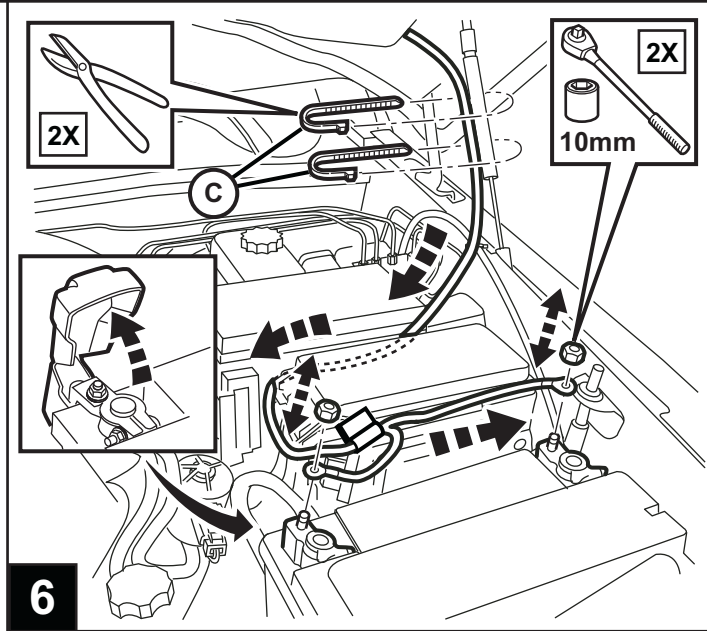
Jeep Commander	2 - 3
Jeep Grand Cherokee	4 - 5
Jeep Liberty	6 - 7
Jeep Wrangler	8 - 9
Dodge Ram	10-11
Templates	12-13

JEEP COMMANDER

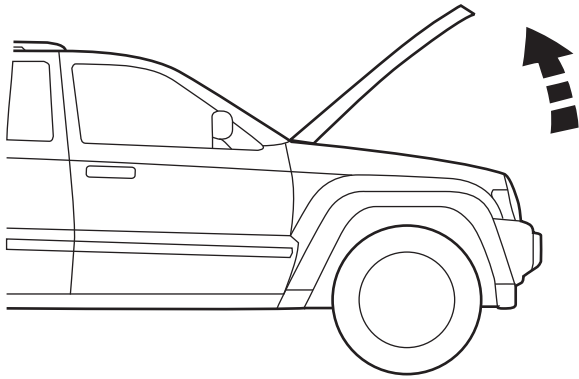


NOTE: FLAT FACE OF UNDERHOOD LAMP SHOULD BE PARRALLEL TO FRONT FACE OF VEHICLE

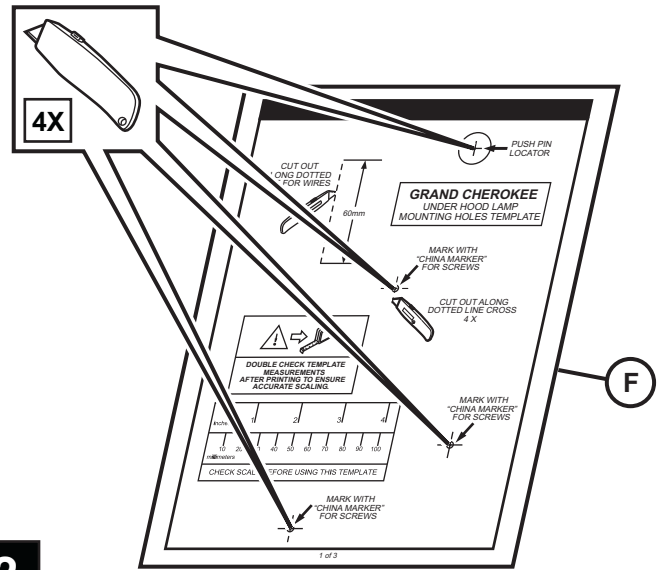




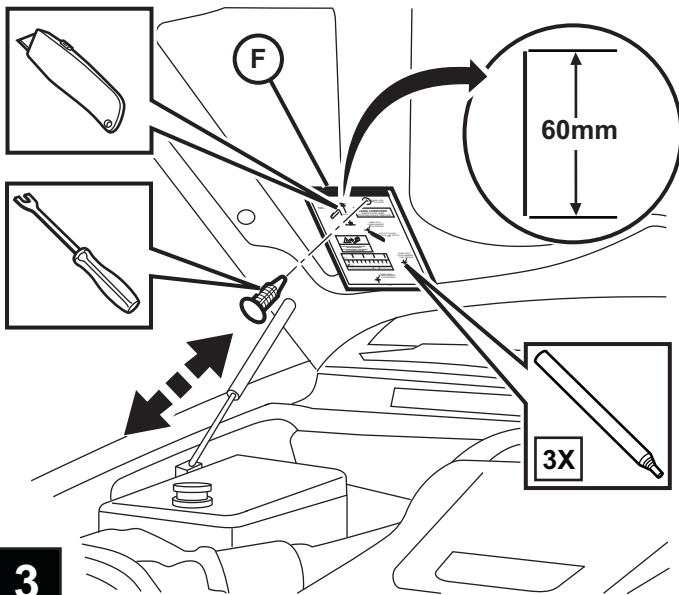
JEEP GRAND CHEROKEE



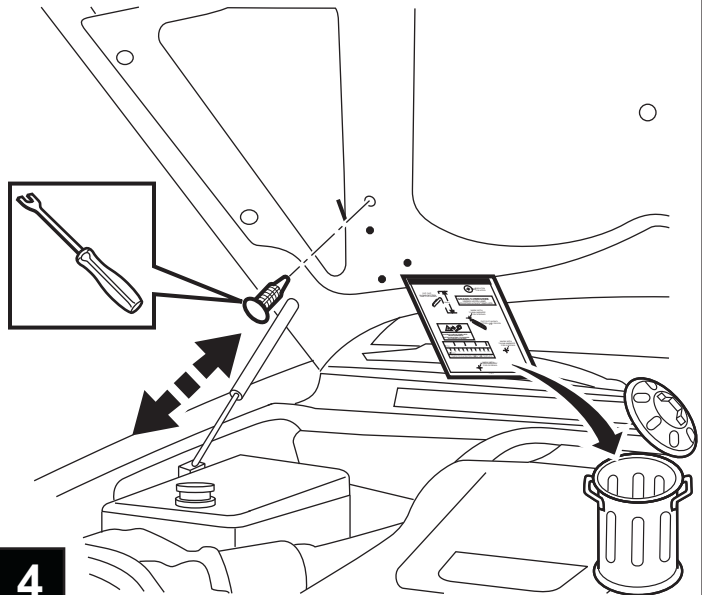
1



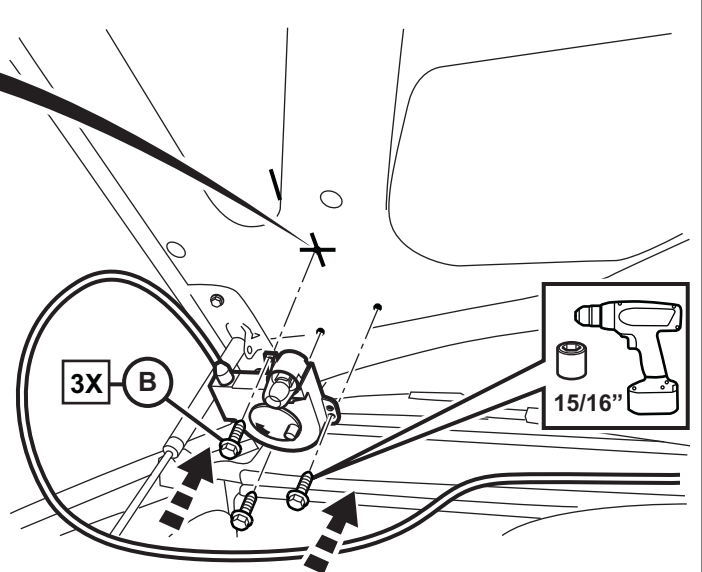
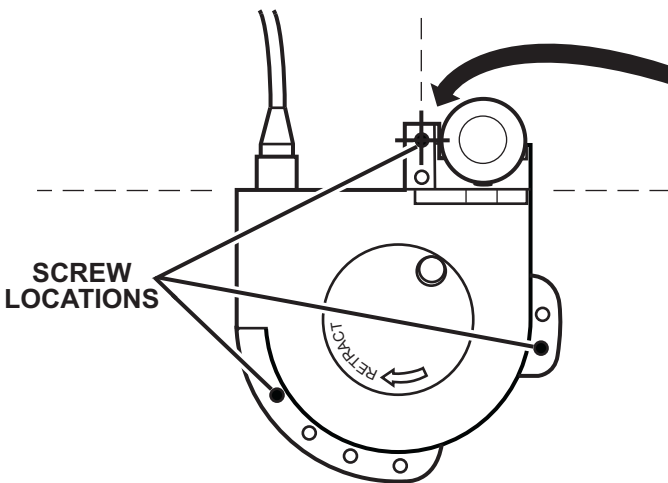
2



3



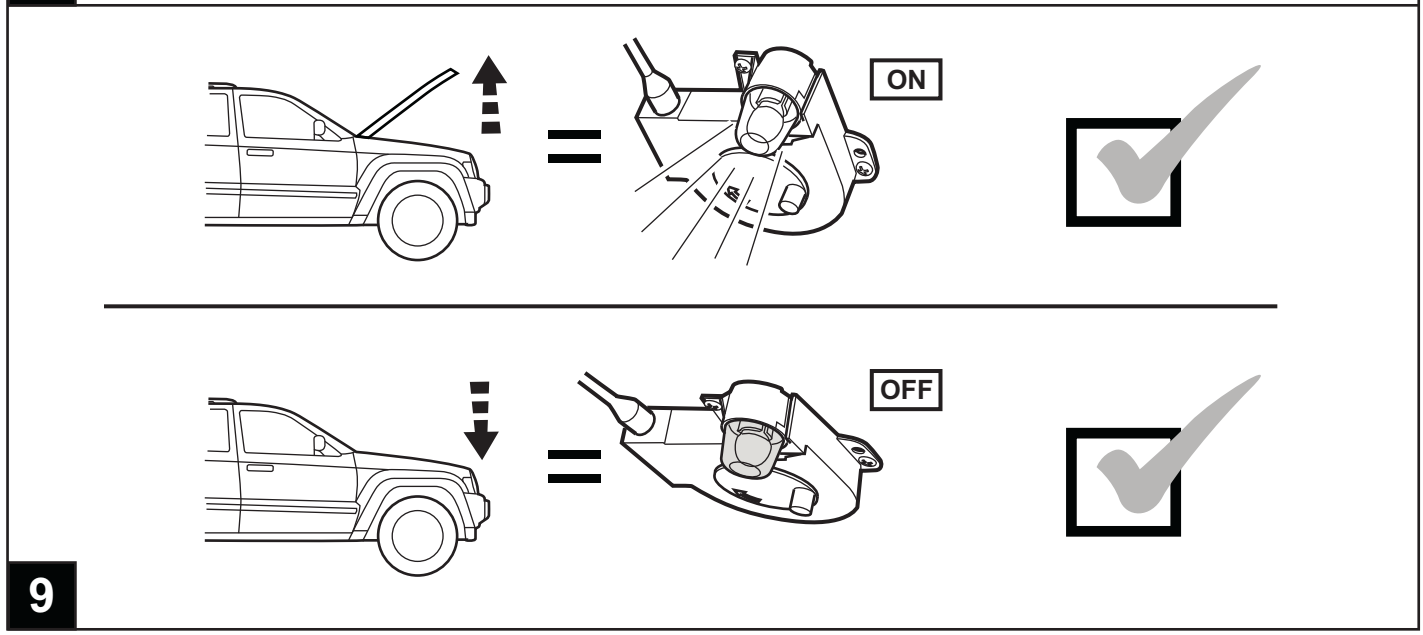
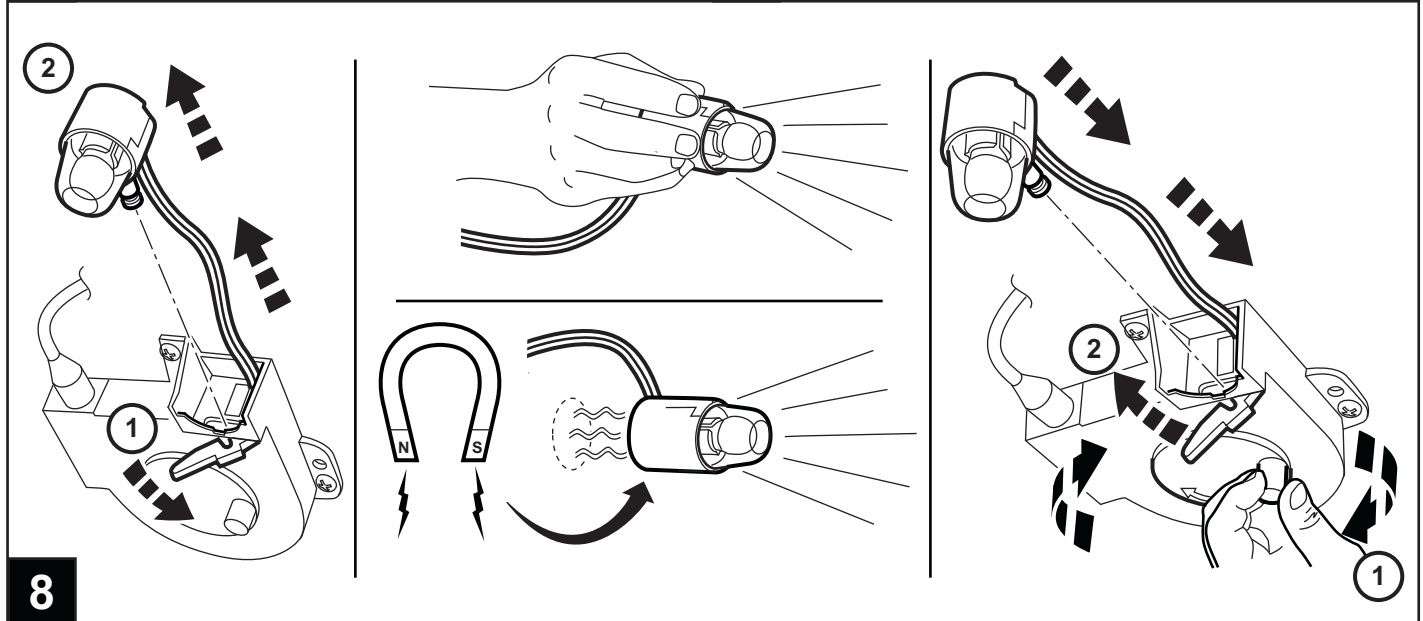
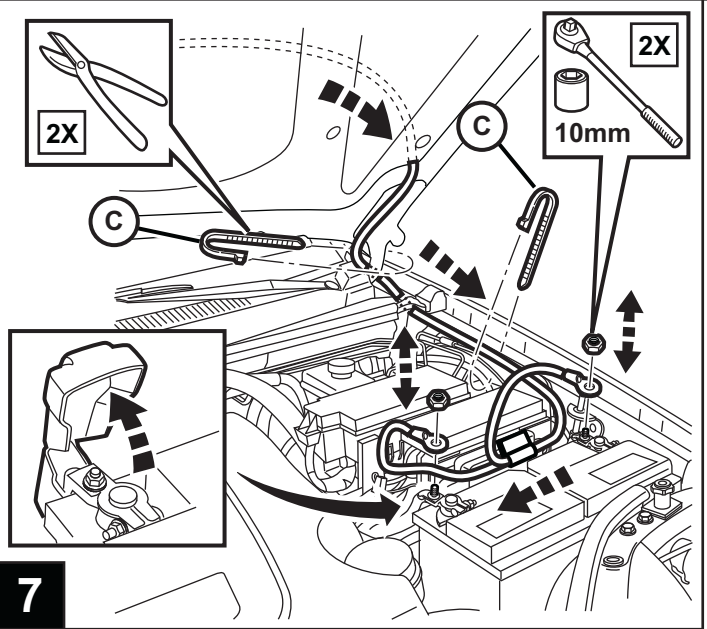
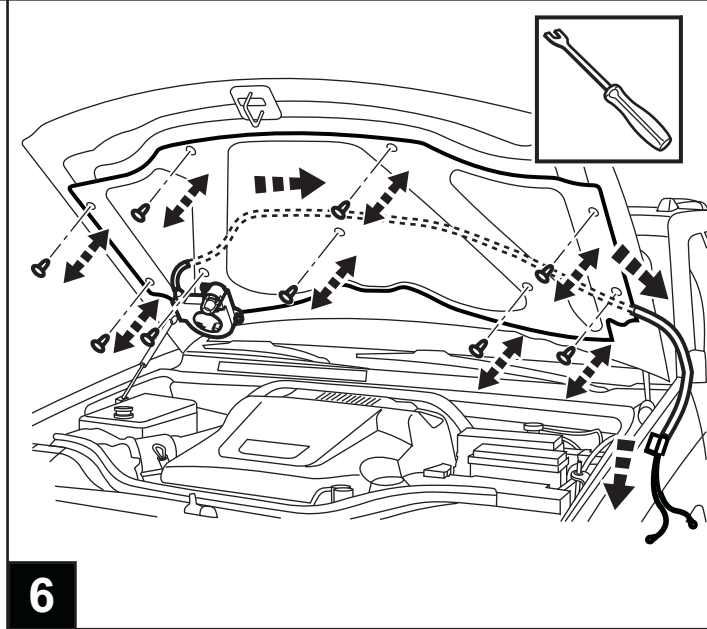
4



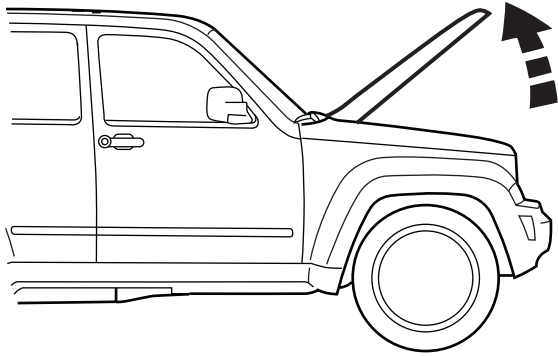
5

NOTE: FLAT FACE OF UNDERHOOD LAMP SHOULD BE PARRALLEL TO FRONT FACE OF VEHICLE

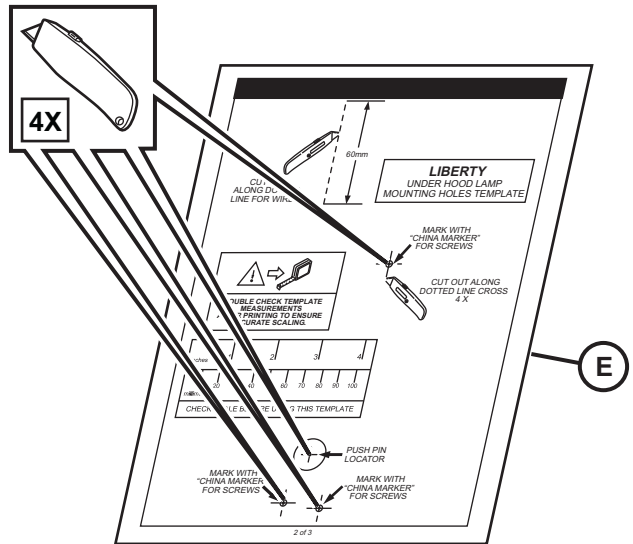
JEEP GRAND CHEROKEE



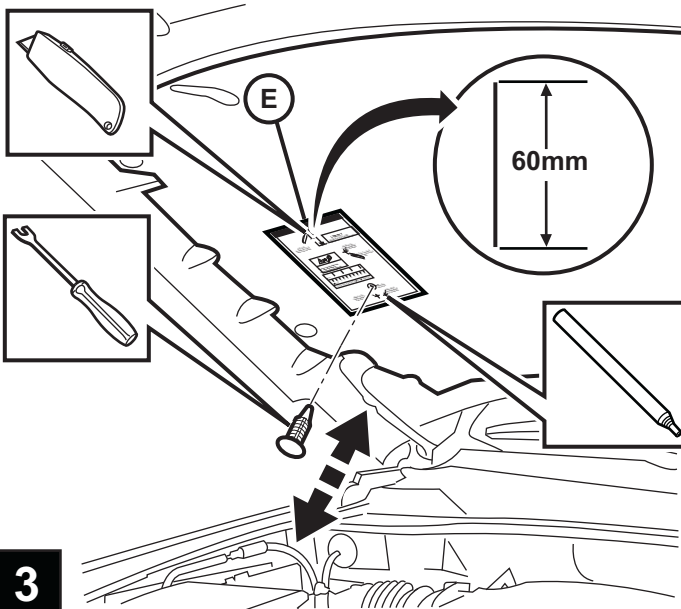
JEEP LIBERTY



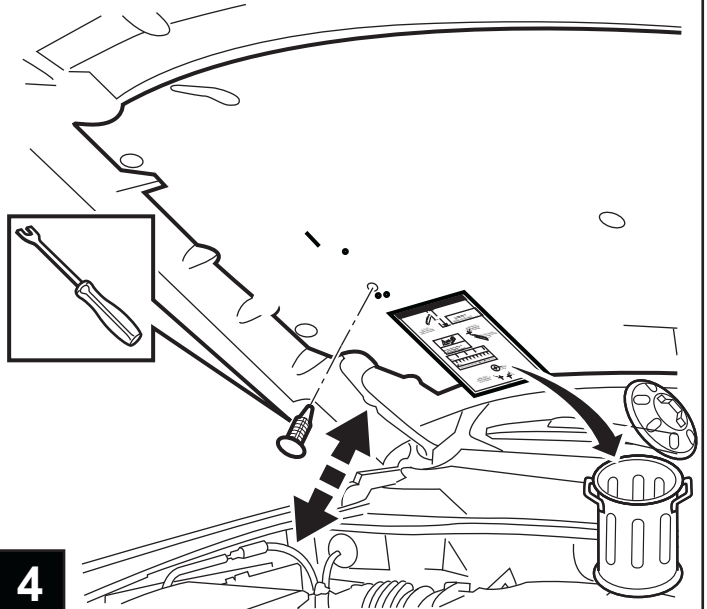
1



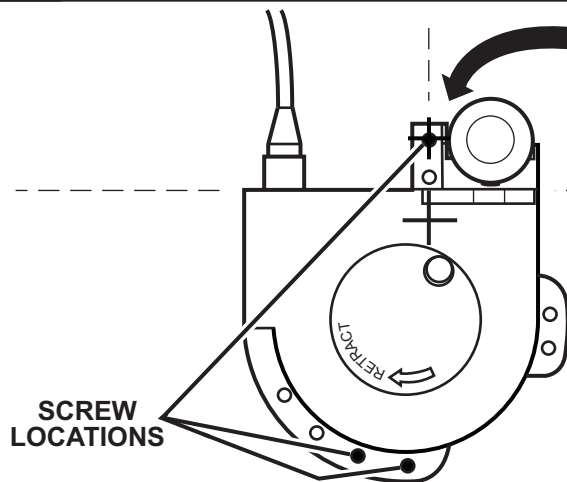
2



3

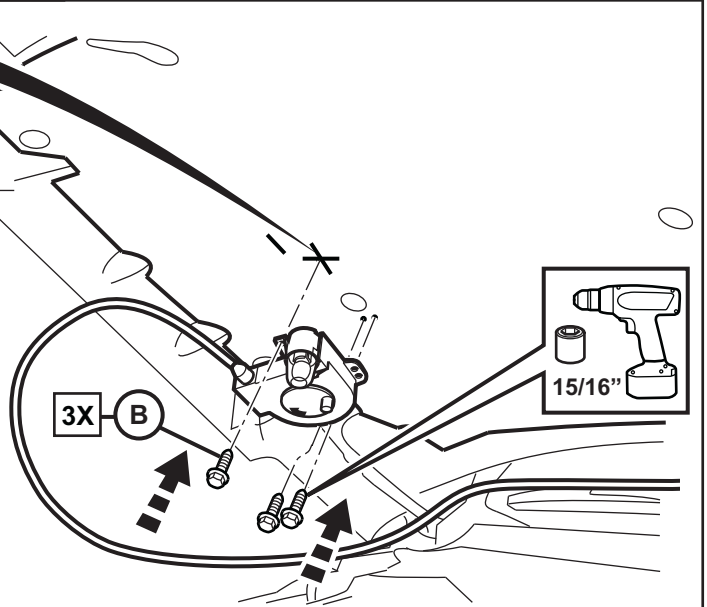


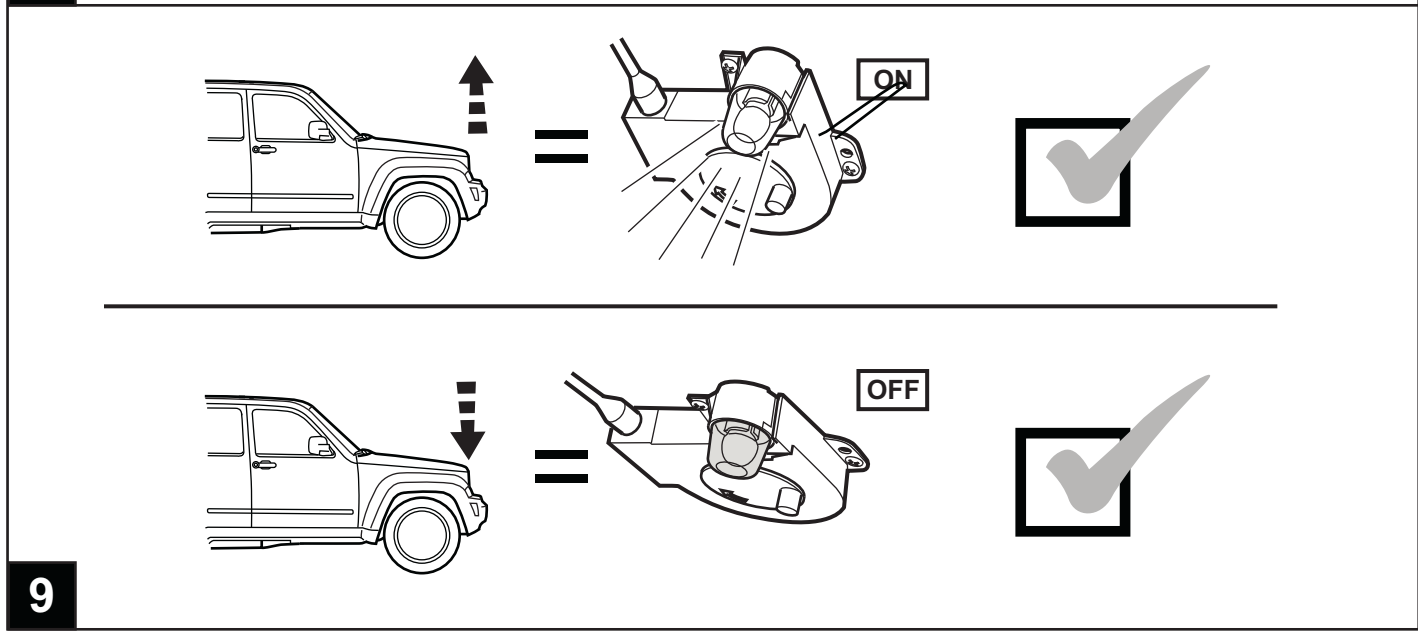
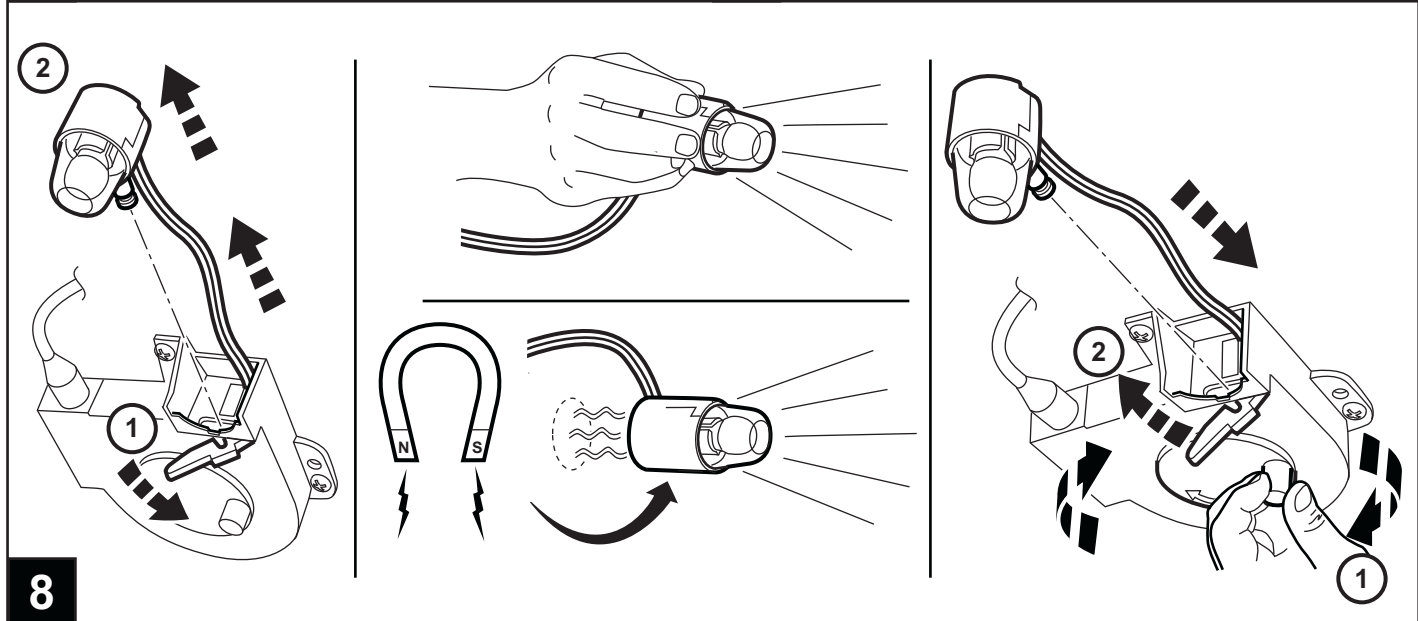
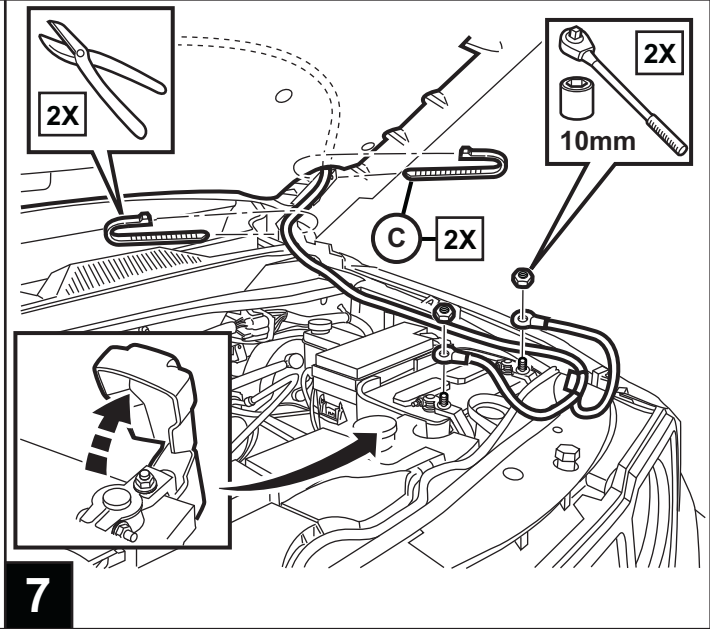
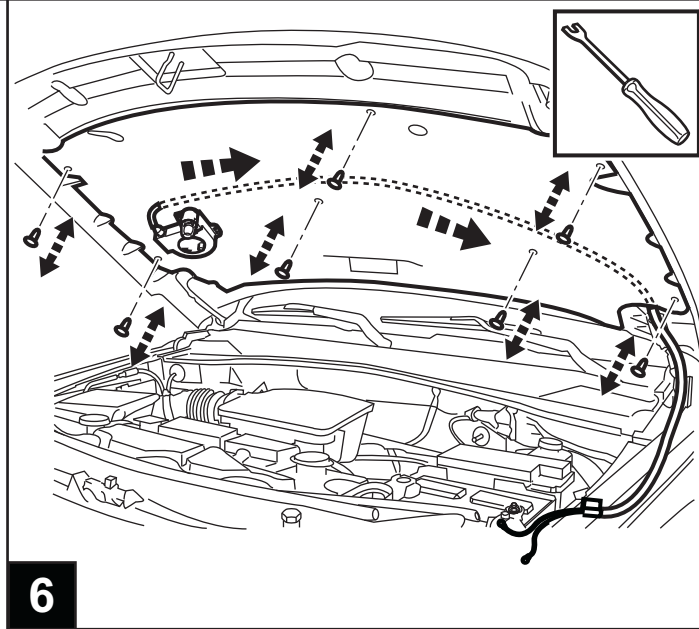
4



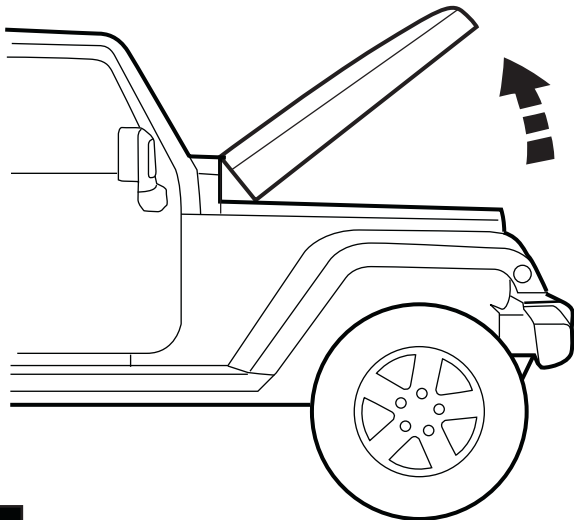
5

NOTE: FLAT FACE OF UNDERHOOD LAMP SHOULD BE PARRALLEL TO FRONT FACE OF VEHICLE

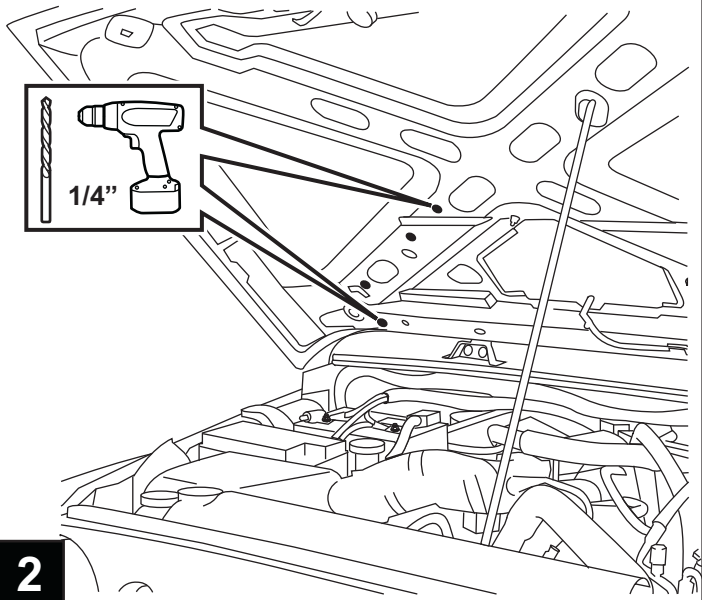




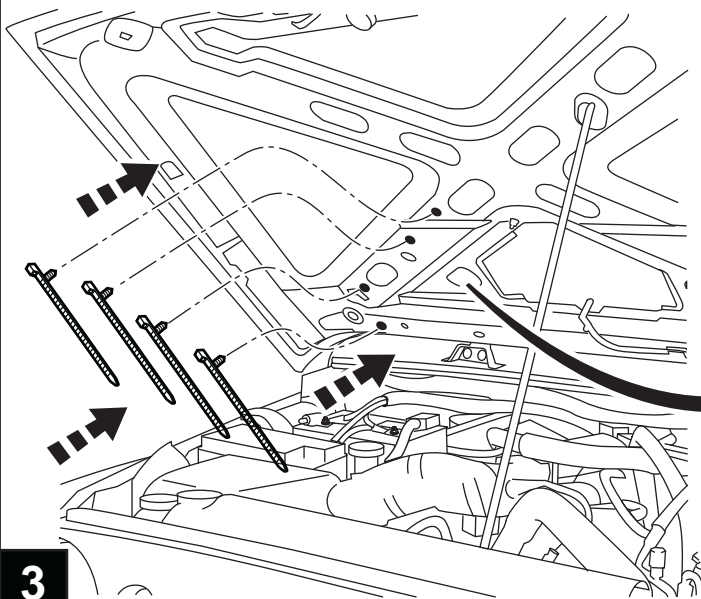
JEEP WRANGLER



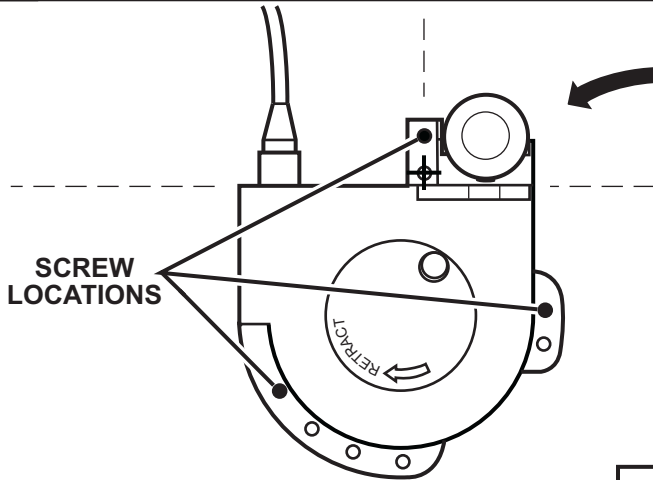
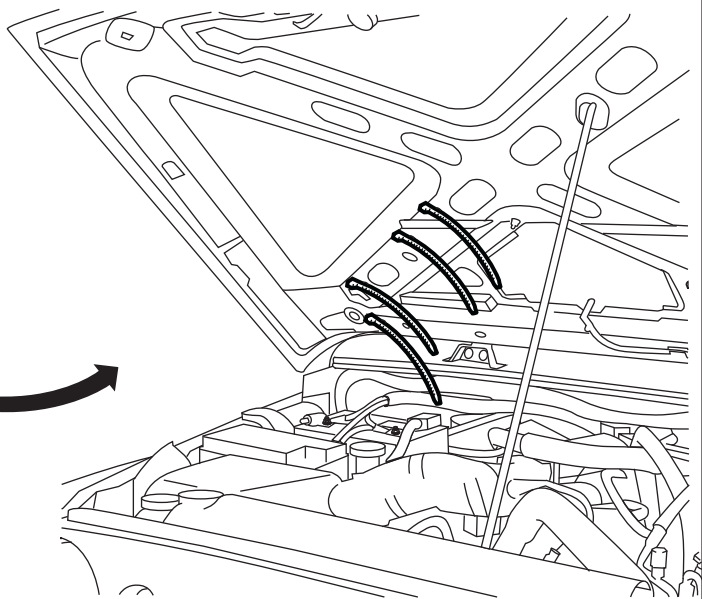
1



2



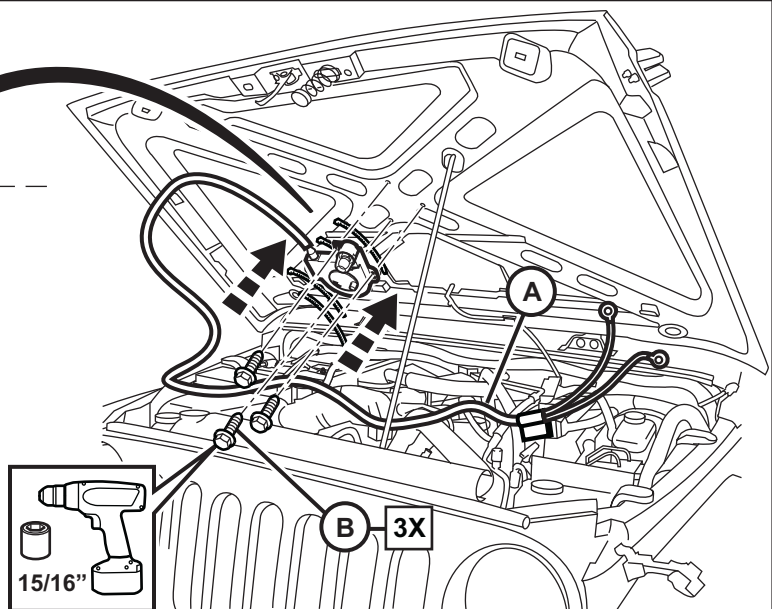
3



SCREW LOCATIONS

NOTE: FLAT FACE OF UNDERHOOD LAMP SHOULD BE PARRALLEL TO FRONT FACE OF VEHICLE

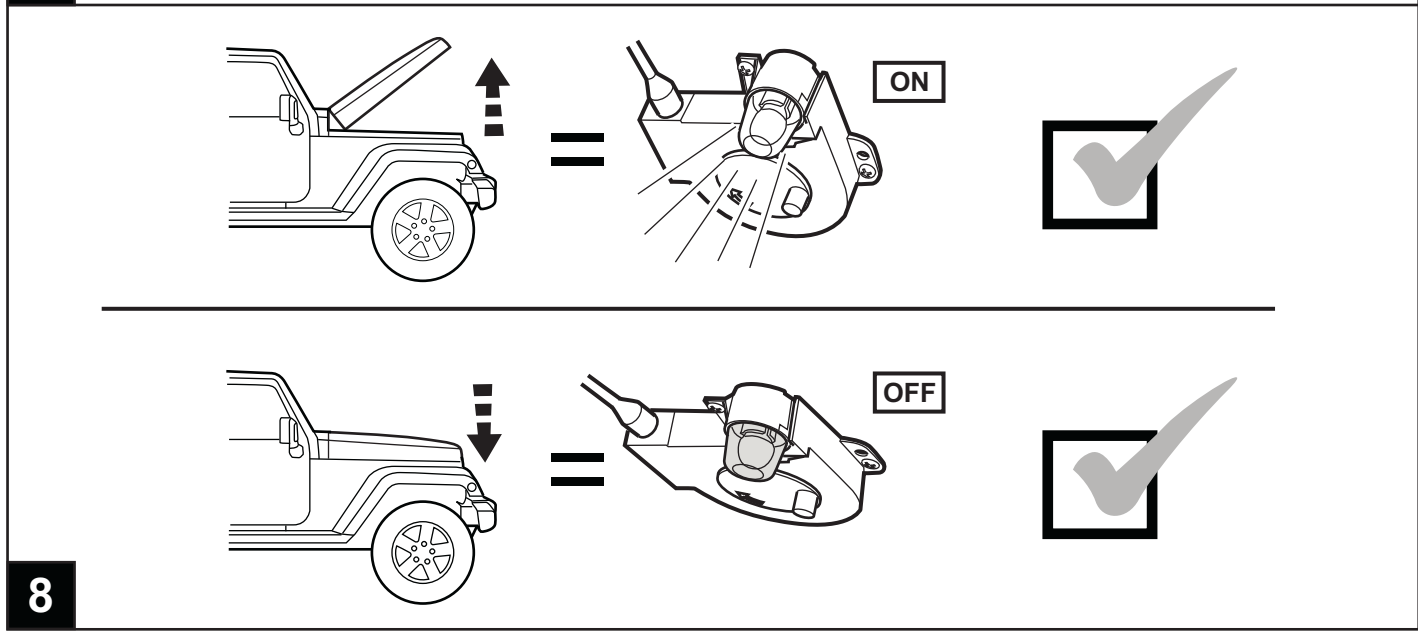
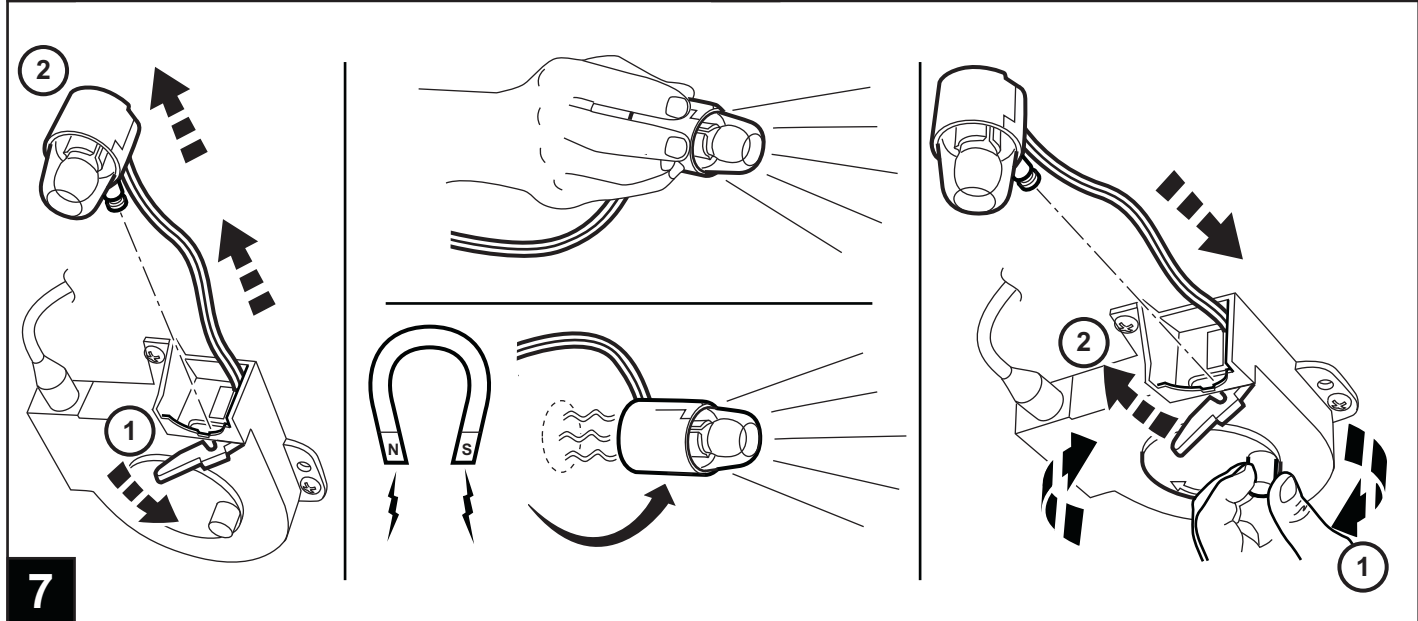
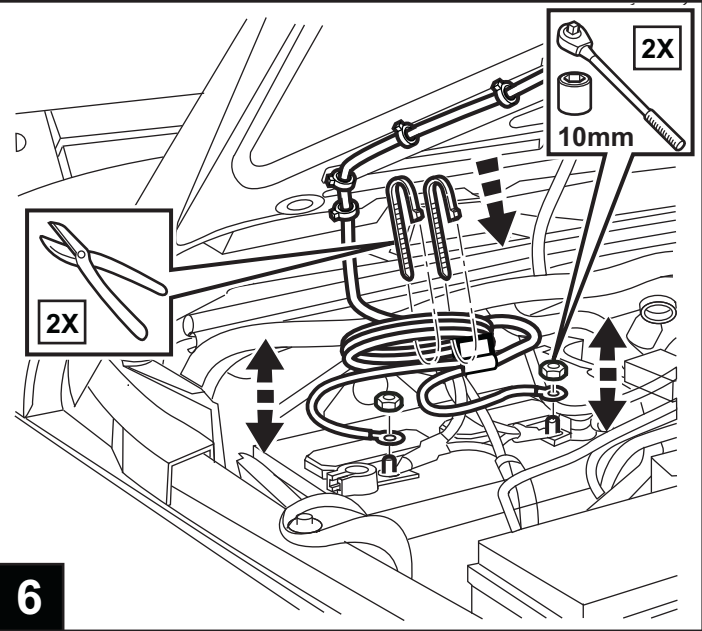
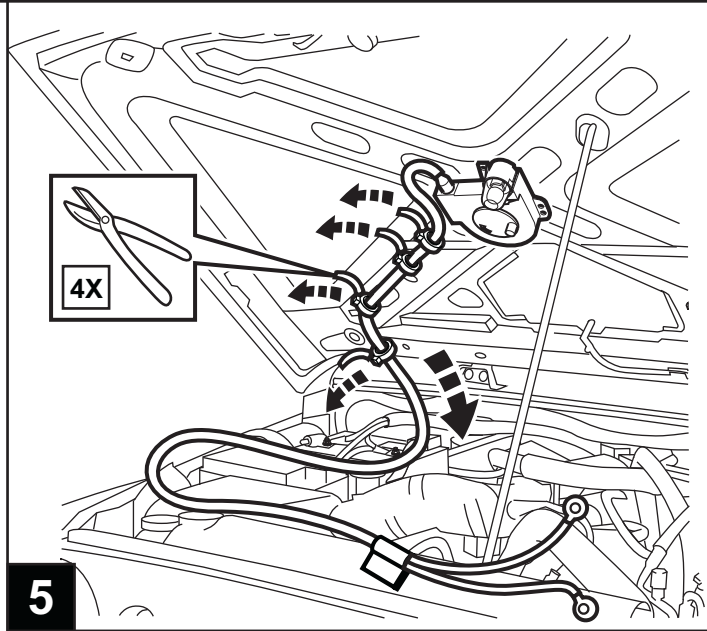
4



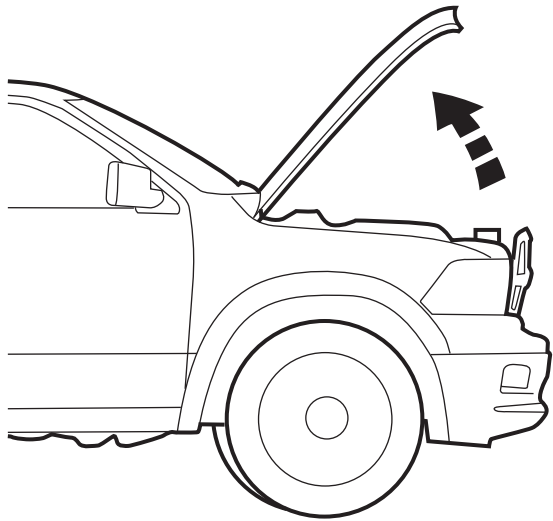
15/16"

B 3X

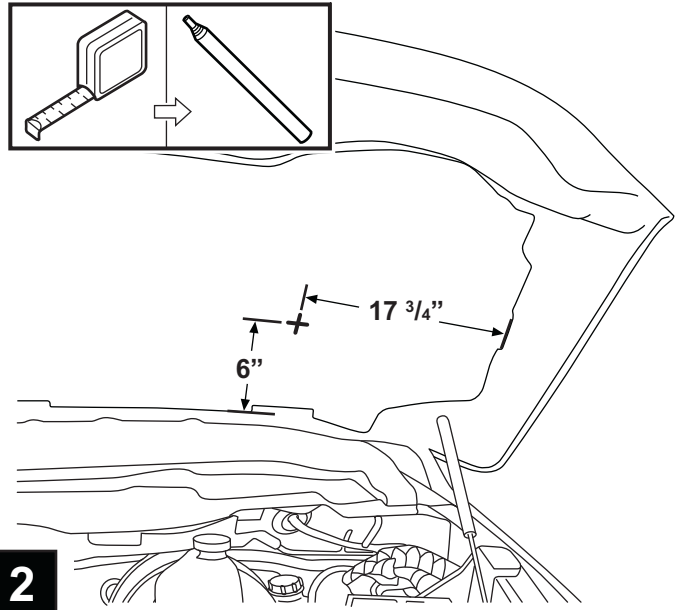
A



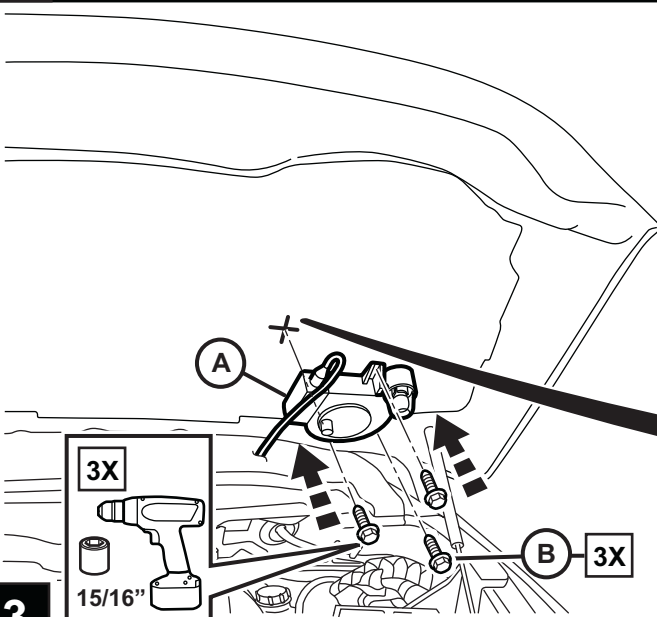
DODGE RAM



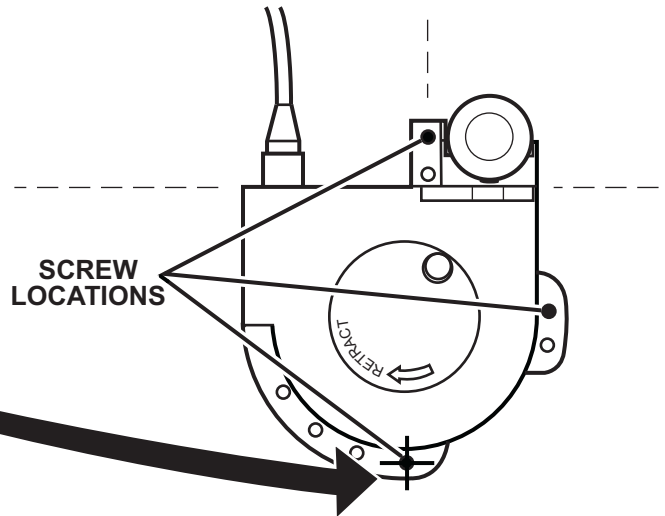
1



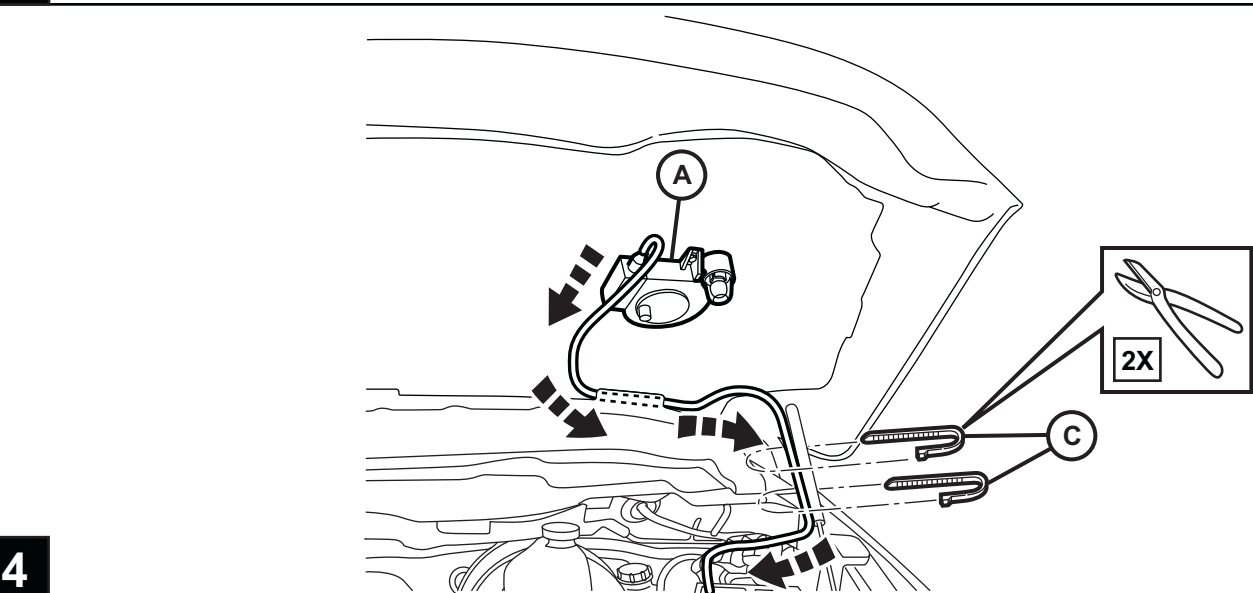
2



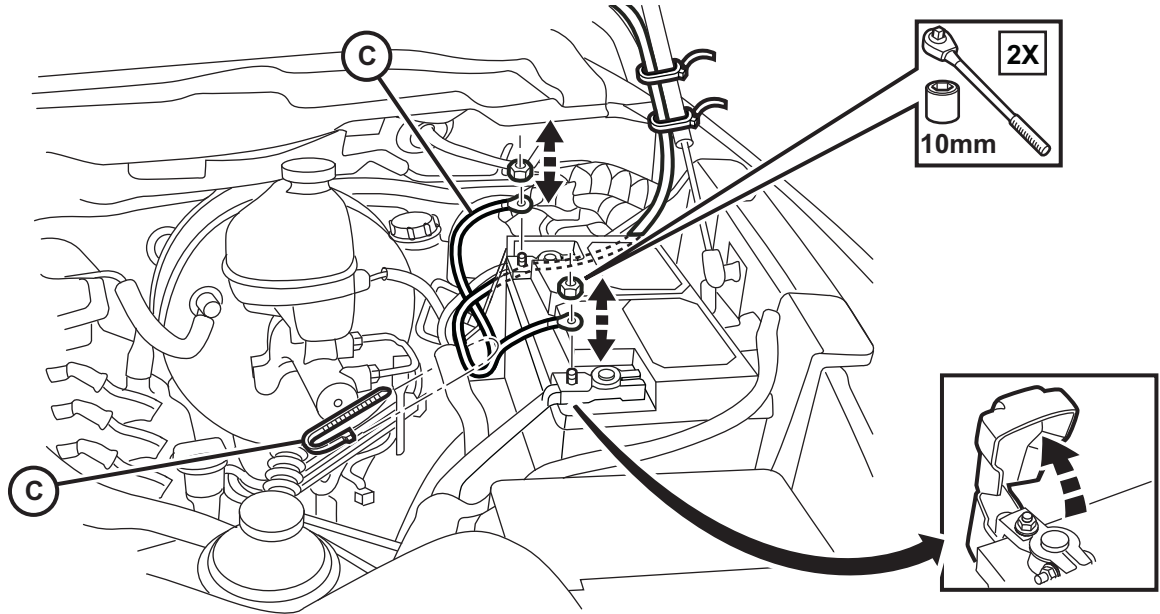
3



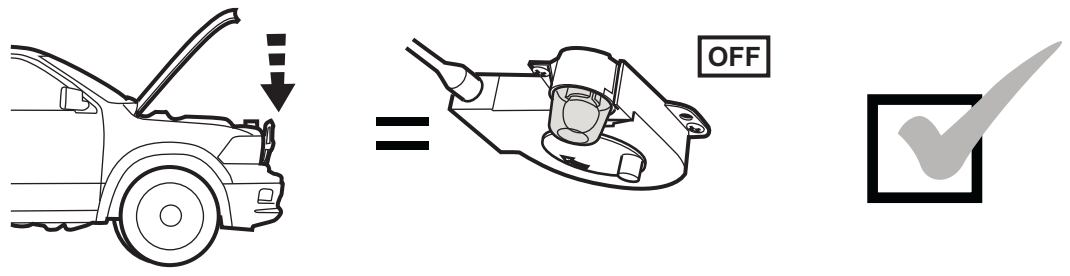
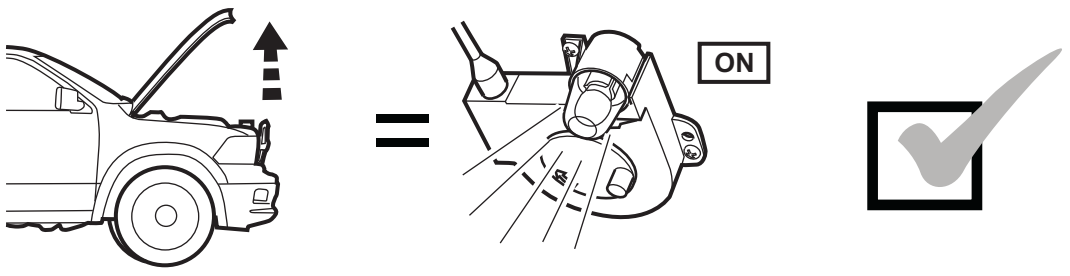
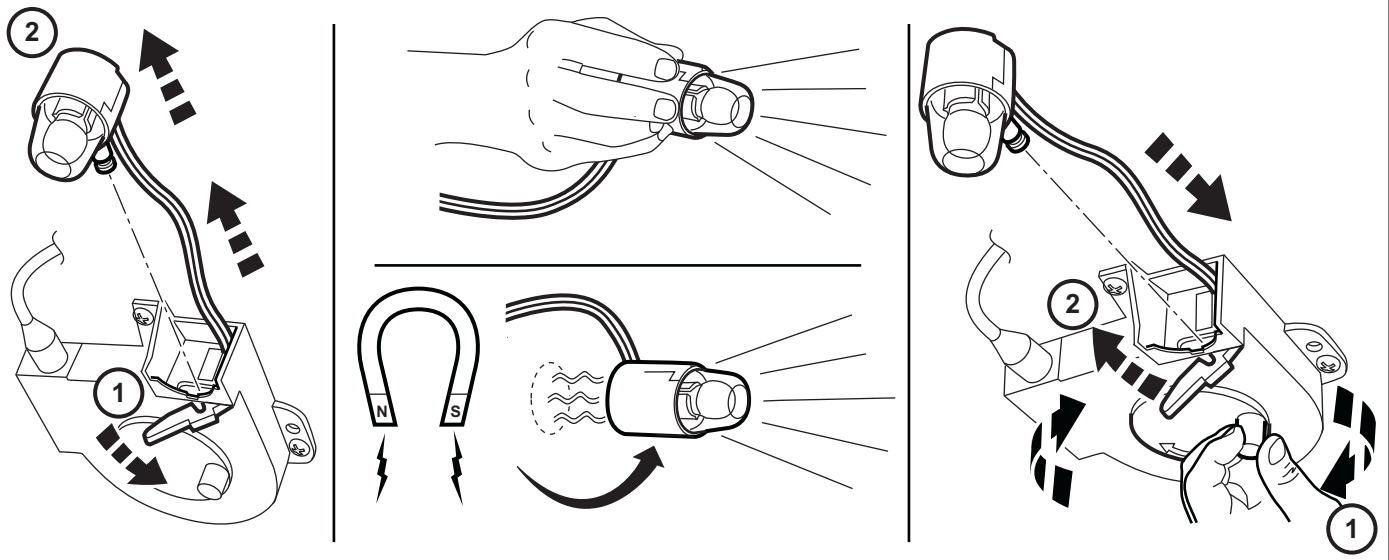
NOTE: FLAT FACE OF UNDERHOOD LAMP SHOULD BE PARRALLEL TO FRONT FACE OF VEHICLE



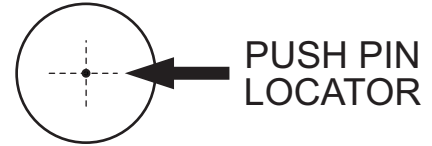
4



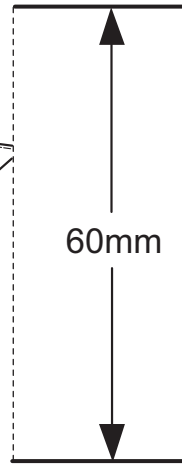
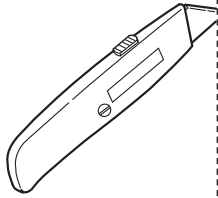
5



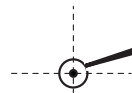
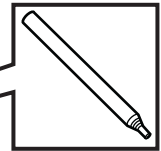
6



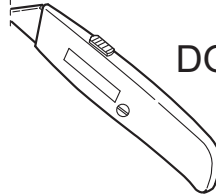
CUT OUT
ALONG DOTTED
LINE FOR WIRES



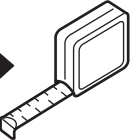


GRAND CHEROKEE
UNDER HOOD LAMP
MOUNTING HOLES TEMPLATE



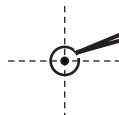
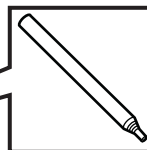
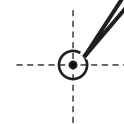
CUT OUT ALONG
DOTTED LINE CROSS
4 X

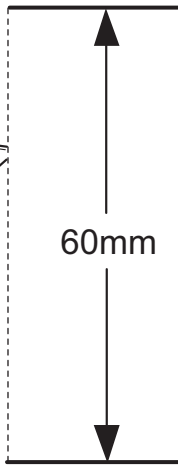
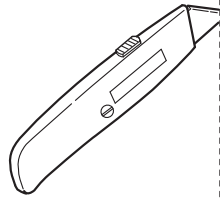


**DOUBLE CHECK TEMPLATE
MEASUREMENTS
AFTER PRINTING TO ENSURE
ACCURATE SCALING.**


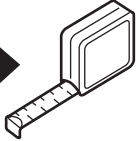
inches	1	2	3	4						
millimeters	10	20	30	40	50	60	70	80	90	100
CHECK SCALE BEFORE USING THIS TEMPLATE										





CUT OUT
ALONG DOTTED
LINE FOR WIRES

LIBERTY
UNDER HOOD LAMP
MOUNTING HOLES TEMPLATE

**DOUBLE CHECK TEMPLATE
MEASUREMENTS
AFTER PRINTING TO ENSURE
ACCURATE SCALING.**

