

AUTHENTIC PERFORMANCE™

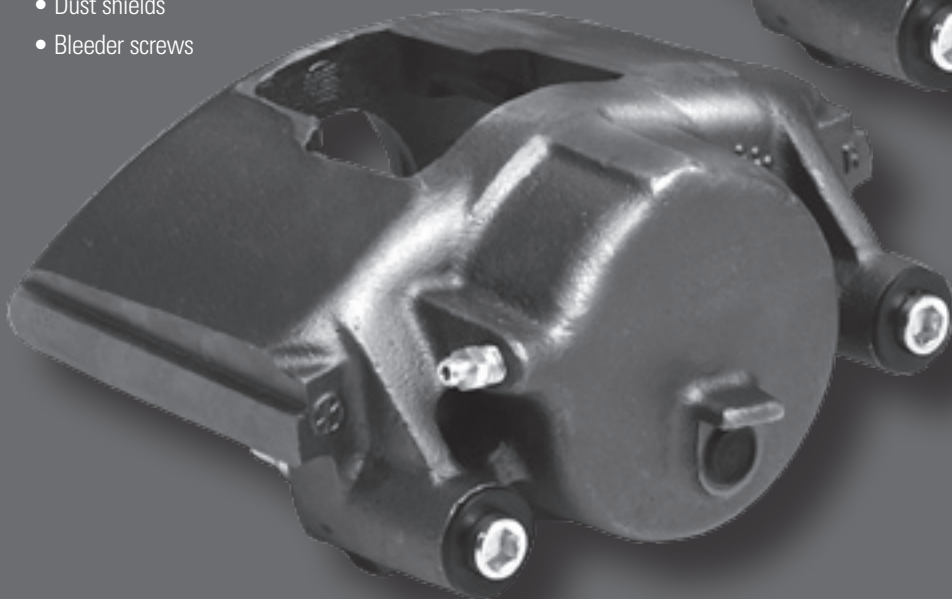
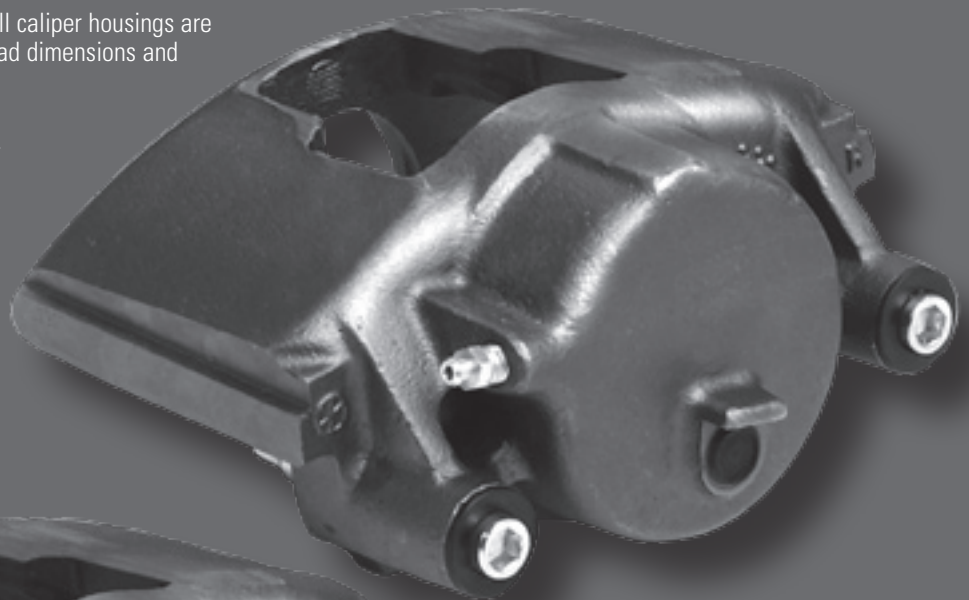


# THE MOPAR® ADVANTAGE CALIPERS

- Each caliper is thoroughly cleaned, and all caliper housings are inspected for vertical and horizontal spread dimensions and bore dimensions.
- All finished surfaces are carefully inspected.
- Specialized tooling ensures that the pistons are installed squarely into the piston bore.
- Final assembly is pressure tested for low and high pressure leakage.

## New Components

- Rubber bushings
- Seals
- Dust shields
- Bleeder screws



# CALIPERS

## PRODUCT FEATURES:

- Meets O.E. specifications as set by Chrysler LLC Engineering
- Rubber bushings, seals, dust shields and bleeder screws are 100% new
- Pressure tested for leakage
- Brake pads not included



## PASSENGER CARS

MODEL YEAR	APPLICATION	O.E. PART NO. LEFT SIDE	O.E. PART NO. RIGHT SIDE	REMAN PART NO. LEFT SIDE	REMAN PART NO. RIGHT SIDE
2000-1995	JA, JX Bodies	04728239	04728238	R4728239	R4728238
2000-1989	JX, PL Bodies	05011701AA	05011700AA	R5011701AA	R5011700AA
1999-1994	PL Body	05011071AA	05011070AA	R5011071AA	R5011070AA
1993-1991	C, Y Bodies w/14" Wheel	04423467	04423466	—	R4423466

## MINIVANS

MODEL YEAR	APPLICATION	O.E. PART NO. LEFT SIDE	O.E. PART NO. RIGHT SIDE	REMAN PART NO. LEFT SIDE	REMAN PART NO. RIGHT SIDE
2000-1993	AS Body	04883377AA	04883376AA	R4883377AA	R4883376AA
1993-1991	AS Body w/14" Wheel	04423467	04423466	—	R4423466
	AS Body w/15" Wheel	04423717	04423716	R4423717	R4423716

## TRUCKS & VANS

MODEL YEAR	APPLICATION	O.E. PART NO. LEFT SIDE	O.E. PART NO. RIGHT SIDE	REMAN PART NO. LEFT SIDE	REMAN PART NO. RIGHT SIDE
1998-1997	AN Body	04886073AA	04886072AA	R4886073AA	R4886072AA
1998-1994	BR Body - (75 mm) 1500 Series	04746367	04746366	R4746367	R4746366
	BR Body - (80 mm) 2500 Series	04746355	04746354	R4746355	R4746354
	BR Body - (86 mm) 3500 Series	04746345	04746344	R4746345	R4746344
1997-1986	AB Body	04313391	04313390	R4313391	R4313390
1996-1991	AN Body	52007057	52007056	R2007057	R2007056
1990-1986	AN Body	04313867	04313866	R4313867	R4313866

## JEEP®

MODEL YEAR	APPLICATION	O.E. PART NO. LEFT SIDE	O.E. PART NO. RIGHT SIDE	REMAN PART NO. LEFT SIDE	REMAN PART NO. RIGHT SIDE
1997-1991	MJ, XJ, YJ, ZJ Bodies	05252985	05252984	R5252985	R5252984

# MASTER CYLINDERS

## PRODUCT FEATURES:

- Meets O.E. specifications as set by Chrysler LLC Engineering
- ABS master cylinders are approved for warranty repairs



## PASSENGER CARS

MODEL YEAR	APPLICATION	O.E. PART NO.	REMAN PART NO.
<b>ABS</b>			
1997-1995	JA, JX Bodies w/ABS	04764103	R4764103
1993-1991	C, Y Bodies w/ABS	04683633	R4683633
<b>STANDARD</b>			
2000-1995	JA, JX Bodies w/o ABS	04764192	R4764192

## MINIVANS

MODEL YEAR	APPLICATION	O.E. PART NO.	REMAN PART NO.
<b>ABS</b>			
2000-1997	NS Body w/Traction Control	04721321	R4721321
1993-1991	AS Body w/ABS, Short WB - AWD	04683522	R4683522
	AS Body w/ABS, Long WB - FWD	04683398	R4683398
	AS Body w/ABS, Short WB - FWD	04683474	R4683474
	AS Body w/ABS, Long WB - AWD	04683555	R4683555
<b>STANDARD</b>			
2000-1996	NS Body w/o Traction Control	04683264	R4683264

# MASTER CYLINDERS

(CONTINUED)

## TRUCKS

MODEL YEAR	APPLICATION	O.E. PART NO.	REMAN PART NO.
<b>ABS</b>			
1997-1994	AB Body	52007310	R2007310
	BR Body	52004508	R2004508
<b>STANDARD</b>			
2002-1998	AB Body	04897210AB	R4897210AB
	BE, BR Bodies	05011256AB	R5011256AB
2001-1997	AN Body	04798157	R4798157

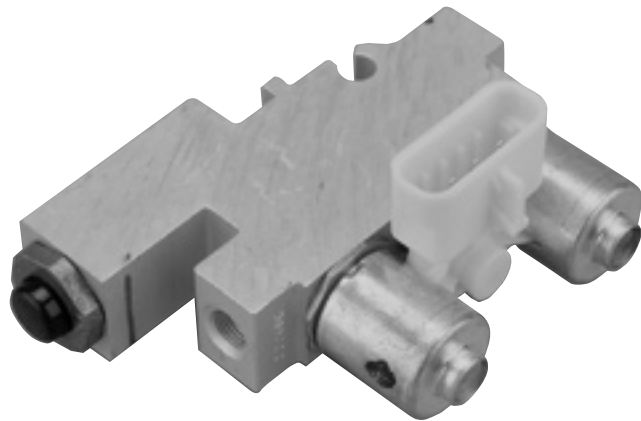
## JEEP®

MODEL YEAR	APPLICATION	O.E. PART NO.	REMAN PART NO.
2001-1997	TJ Body	04798157	R4798157
2001-1995	XJ Body	04761941	R4761941

## RWAL & SWAL VALVE ASSEMBLIES

### PRODUCT FEATURES:

- Brake pressure limiting valve
- Includes solenoid control valves



## RWAL - TRUCKS & VANS

MODEL YEAR	APPLICATION	O.E. PART NO.	REMAN PART NO.
1993-1989	BR Body (1/2 Ton), AD Body	04294857/052004693/52006185	R2004693
	BR Body (3/4 Ton), AB Body	04485143/052004694/52004016	R2004016
	BR Body (1 Ton)	04485144/052004695	R2004695
1992-1989	AN Body	04294919	R4294919

## SWAL - TRUCKS & VANS

MODEL YEAR	APPLICATION	O.E. PART NO.	REMAN PART NO.
1997-1995	AB Body w/rear wheel ABS	52008934	R2008934
1997-1994	BR Body (1,2,6,7) 2 & 4WD w/rear wheel ABS	52007312	R2007312
1997	AN Body (1,5) 2 & 4WD w/rear wheel ABS	52007312	R2007312
1996-1993	AN Body (1,5) 2 & 4WD w/rear wheel ABS	52008304	R2008304
1994	AB Body w/rear wheel ABS	52007312	R2007312

# ABS COMPONENTS

## PRODUCT FEATURES:

- Meets O.E. specifications

## ACTUATOR ASSEMBLY W/ABS - JEEP®

MODEL YEAR	APPLICATION	O.E. PART NO.	REMAN PART NO.
1993-1989	XJ Body	04637621/04746415	R4746415
1993-1989	XJ Body	04637620/04746418	R4746418

## ACTUATOR PISTON KITS W/ABS - PASSENGER CARS, MINIVAN, TRUCK & JEEP®

MODEL YEAR	APPLICATION	O.E. PART NO.	REMAN PART NO.
1993-1991	C, Y Bodies	04740084	R4740084
1993-1991	AS Body	04740086	R4740086
1992-1991	BB Body	04856887	R4856887

## PUMP & MOTOR ASSEMBLIES - MINIVAN, TRUCK & JEEP®

MODEL YEAR	APPLICATION	O.E. PART NO.	REMAN PART NO.
1993-1991	AS Body	04509292	R4509292
1992	AB Body	04723544	R4723544
1992-1991	AB Body	04584472	R4584472
1991	XJ Body	52007515	R2007515
1990-1989	XJ Body	52003297	R2003297

## MODULATOR - JEEP®

MODEL YEAR	APPLICATION	O.E. PART NO.	REMAN PART NO.
1991-1990	XJ Body	04637626	R4637626

## CONTROL MODULES

MODEL YEAR	APPLICATION	O.E. PART NO.	REMAN PART NO.
1998-1995	JA, JX Bodies	04605094	R4605094
	PL Body	05269963	R5269963
1997-1995	JX Body	04671221	R4671221

AUTHENTIC PERFORMANCE™



# DRIVELINE

---

CV AXLE ASSEMBLIES

---

