

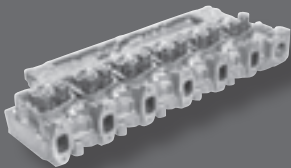
AUTHENTIC PERFORMANCE™



# THE MOPAR® ADVANTAGE

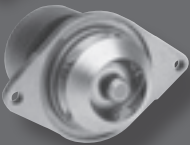
## DIESEL ENGINES AND PARTS

When most people look at an engine, they see the whole engine. Mopar Remanufacturing, however, sees the hundreds of parts that are necessary to provide reliable power. In addition, Mopar puts a great deal of effort into remanufacturing an extremely wide variety of hard-to-find parts, so it can provide a replacement engine for almost any vehicle. Here are some examples of key engine components that get special attention from Mopar Remanufacturing.



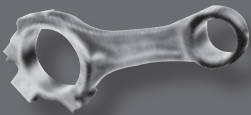
**Cylinder Head Assembly** — Mopar will still remanufacture the cylinder heads when a complete engine replacement isn't necessary. Mopar Diesel In-Line, 6-cylinder heads use original equipment components and meet strict original equipment engineering standards. In addition, replacing only the cylinder heads when necessary saves the customer the cost of an entire engine.

---



**Water Pump Assemblies** — Basic operations include pre-inspection, salvage, assembly, testing and packaging. Since seals, bearings, and the impeller are replaced 100%, the major focus of the remanufacturing operation centers on the body and pulley.

---



**Connecting Rods** — The connecting rod is a key component that transfers power from the piston to the crankshaft which, in turn, drives the diesel engine. These rods are inspected to detect potentially damaging cracks and to ensure a superfine finish on the wear surfaces. All rods are then checked with magnetic particle testing equipment, and each rod is torqued and rehone to original specifications.

---



**Turbochargers** — One of the fastest growing parts lines, more and more customers are discovering the advantages of a remanufactured diesel turbocharger. State-of-the-art processes are used to produce high quality, reliable turbos. This technology includes laser micrometers, CNC lathes and delicate balancing machines. When any turbo is in operation, the turbine wheel may reach speeds up to 100,000 rpm, so holding tight tolerances is critical to proper turbo performance.

---



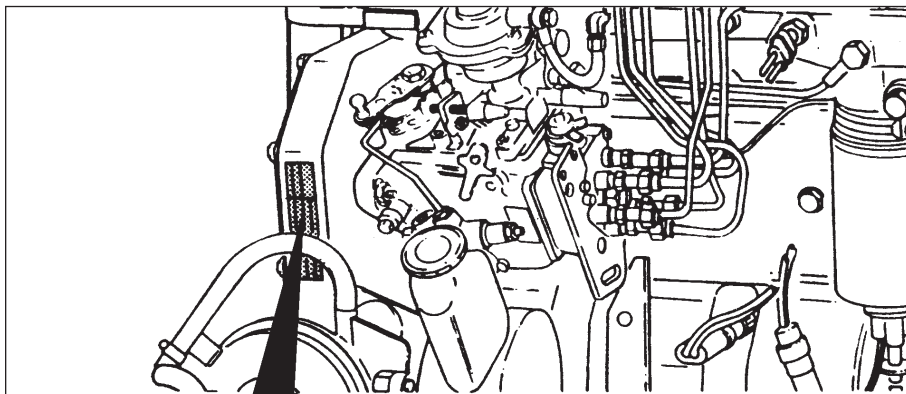
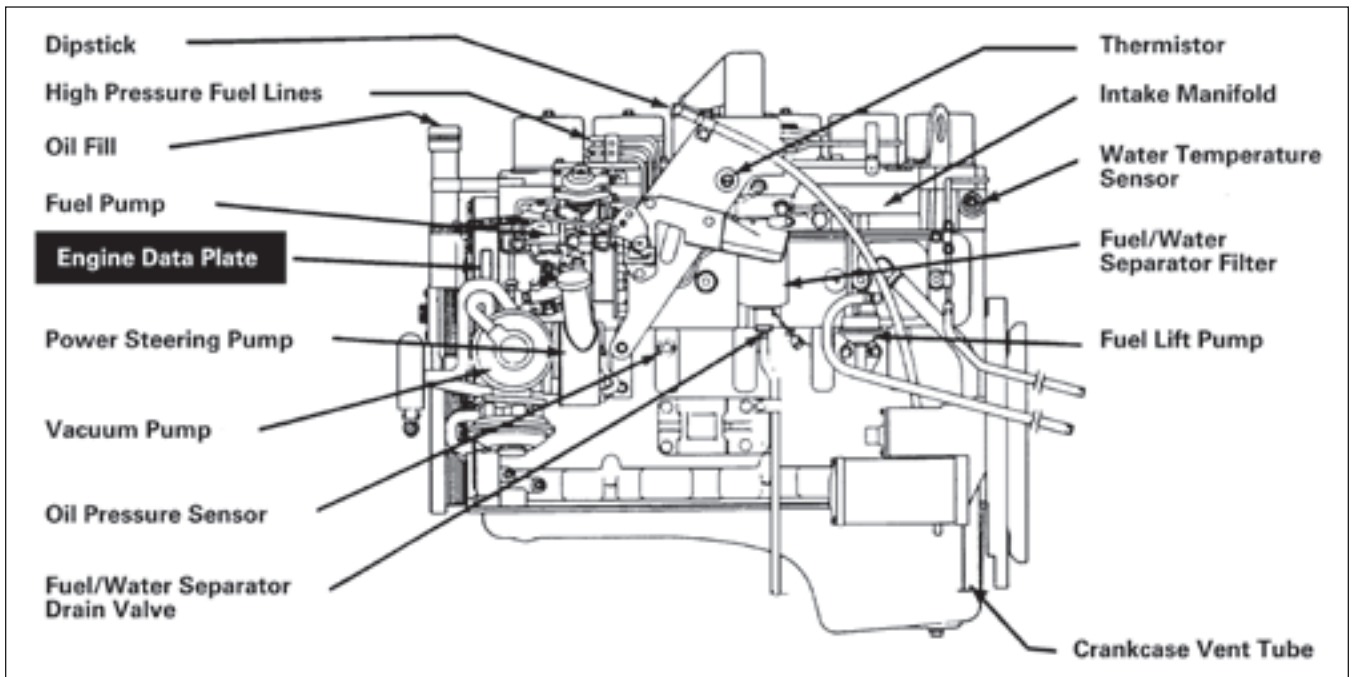
**Fuel Injector** — These components are crucial for distributing fuel to the cylinders. All critical parts are carefully examined using the latest in measuring and gauging technology. Every remanufactured injector must pass rigorous testing on customized high-tech calibration test stands and meet original equipment specifications.


# CUMMINS – DIESEL ENGINES INFORMATION

## CPL IDENTIFICATION

To help you with product identification, Certified Parts List information is found on the engine data plate. This number will help determine the appropriate Chrysler LLC replacement part number.

## FUEL SIDE OF ENGINE



 Cummins Engine Company, Inc. Box 3005 Columbus, Indiana 47302-3005	Engine	C.I.D./L	Series	CPL	Engine Serial No.	44252750
	Cert. I.D.	359/ 5.9	B	0804	Injector P/N	3909522
	Tuning-TDC	TDC 1.40 mm			Cust. Spec	41671
	Valve lash cold	.010 in. / .020 in.			Rated HP	160 at 2500 RPM
	Firing Order	153624			Fuel rate at rated HP	78.0 mm <sup>3</sup> /stroke
	Date of Mfg. Made in U.S.A.	Low idle RPM	700	E.C.S	LDA	Model Name

CPL

# DIESEL ENGINES

Below is a helpful matrix identifying which engine parts are included with the reman engine assembly.

## MOPAR® REMAN ENGINE MATRIX

MODEL YEAR	ENGINE	CYLINDER BLOCK	CYLINDER HEAD(S)	CRANKSHAFT	MAIN & ROD BEARINGS	CONNECTING ROD SET	PISTON, PIN, RINGS SET	CAMSHAFT(S)	VALVES AND SPRINGS	ROCKER ARMS	ROCKER SHAFTS	PUSHRODS	TAPPETS	CYL. HEAD GASKET(S)	VALVE COVER(S) W/GASKETS
<b>COMPLETE ENGINE ASSEMBLIES</b>															
1998	R3040141AB	x	x	x	x	x	x	x	x	x	x	x	x	x	x
1998	R3040143AB	x	x	x	x	x	x	x	x	x	x	x	x	x	x
1997	R3040141	x	x	x	x	x	x	x	x	x	x	x	x	x	x
1996	R4864331	x	x	x	x	x	x	x	x	x	x	x	x	x	x
1996	R4864332	x	x	x	x	x	x	x	x	x	x	x	x	x	x
1993-1991.5	R4711579	x	x	x	x	x	x	x	x	x	x	x	x	x	x
<b>LONG BLOCK ASSEMBLIES</b>															
2008-2007	R8036075AA	x	x	x	x	x	x	x	x	x	x	x	x	x	x
2008-2007	R8003550AA	x	x	x	x	x	x	x	x	x	x	x	x	x	x
2008-2005	R8001618AA	x	x	x	x	x	x	x	x	x	x	x	x	x	x
2007-2006	R8001619AA	x	x	x	x	x	x	x	x	x	x	x	x	x	x
2005-2004.5	R5140910AA	x	x	x	x	x	x	x	x	x	x	x	x	x	x
2004-2003	R5093538AA (250 HP)	x	x	x	x	x	x	x	x	x	x	x	x	x	x
2004-2003	R5093540AA (305 HP)	x	x	x	x	x	x	x	x	x	x	x	x	x	x
2002-2001	R5019755AA	x	x	x	x	x	x	x	x	x	x	x	x	x	x
2002-2001	R5019756AA	x	x	x	x	x	x	x	x	x	x	x	x	x	x
2000-1998.5	R5016374AA	x	x	x	x	x	x	x	x	x	x	x	x	x	x
<b>SHORT BLOCK ENGINE ASSEMBLIES</b>															
2008-2007	R8003549AA	x		x	x	x	x	x					x		
2008-2006*	R8001621AA	x		x	x	x	x								
2008-2004.5**	R8001620AA	x		x	x	x	x								
2004-2003	R5093537AA	x		x	x	x	x								
2004-2003	R5093539AA	x		x	x	x	x								
2002-2001	R5019753AA	x		x	x	x	x								
2002-2001	R5019754AA	x		x	x	x	x								
2000-1998.5	R5015092AA	x		x	x	x	x								
1998-1996	R4864329	x		x	x	x	x								
1998-1996	R4864330	x		x	x	x	x								
1995-1994	R4761368	x		x	x	x	x								

\*\*All Except 2007-2006 Mega Cab with Auto Trans.

\*Mega Cab with Auto Trans.

# DIESEL ENGINES

(CONTINUED)

## MOPAR® REMAN ENGINE MATRIX (CONT.)

MODEL YEAR	ENGINE	OIL PUMP	OIL PICKUP	OIL PAN	WATER PUMP	EXHAUST MANIFOLD	INTAKE MANIFOLD	FUEL INJECTORS	FUEL PUMP	TURBOCHARGER	BLUE/YELLOW PLASTIC CRATE	CARDBOARD BOX	METAL SKID	WOODEN SKID
<b>COMPLETE ENGINE ASSEMBLIES</b>														
1998	R3040141AB	X	X	X	X	X	X	X	X	X			X	
1998	R3040143AB	X	X	X	X	X	X	X	X	X			X	
1997	R3040141	X	X	X	X	X	X	X	X	X			X	
1996	R4864331	X	X	X	X	X	X	X	X	X			X	
1996	R4864332	X	X	X	X	X	X	X	X	X			X	
1993-1991.5	R4711579	X	X	X	X	X	X	X	X	X			X	
<b>LONG BLOCK ASSEMBLIES</b>														
2008-2007	R8036075AA	X	X	X	X		X	X					X	
2008-2007	R8003550AA	X	X	X	X		X	X					X	
2008-2005	R8001618AA	X	X	X	X		X						X	
2007-2006	R8001619AA	X	X	X	X		X						X	
2005-2004.5	R5140910AA	X	X	X	X		X						X	
2004-2003	R5093538AA (250 HP)	X	X	X	X		X						X	
2004-2003	R5093540AA (305 HP)	X	X	X	X		X						X	
2002-2001	R5019755AA	X	X	X	X		X						X	
2002-2001	R5019756AA	X	X	X	X		X						X	
2000-1998.5	R5016374AA	X	X	X	X		X						X	
<b>SHORT BLOCK ENGINE ASSEMBLIES</b>														
2008-2007	R8003549AA										X	X		X
2008-2006*	R8001621AA										X	X		X
2008-2004.5**	R8001620AA										X	X		X
2004-2003	R5093537AA										X	X		X
2004-2003	R5093539AA										X	X		X
2002-2001	R5019753AA										X	X		X
2002-2001	R5019754AA										X	X		X
2000-1998.5	R5015092AA										X	X		X
1998-1996	R4864329										X	X		X
1998-1996	R4864330										X	X		X
1995-1994	R4761368										X	X		X

\*\*All Except 2007-2006 Mega Cab with Auto Trans.

\*Mega Cab with Auto Trans.

# LONG BLOCK ENGINES

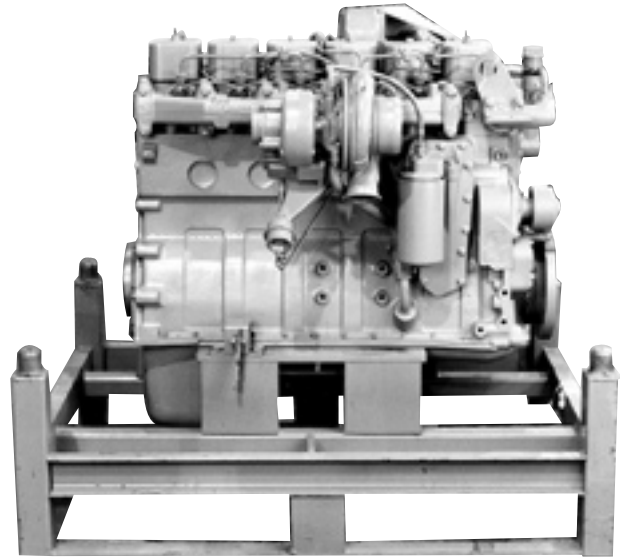
## FACTORY REMANUFACTURED TO CHRYSLER LLC STANDARDS

### 100% NEW PARTS:

Pistons, Rings, Gaskets, Seals, Hoses,  
Main Rod Bearings, Fuel Line, Filters, Lube Pump

### LONG BLOCK KIT CONTAINS:

- Remanufactured Short Block Kit
- Camshaft and Camshaft Gear
- Remanufactured Cylinder Head Kit
- Valve Cover and Oil Pan
- Remanufactured Water Pump Kit
- Gear Cover



\*COMPLETE ENGINE ASSEMBLIES

## CUMMINS-DIESEL APPLICATIONS

MODEL YEAR	APPLICATION	ENGINE	TRANS	ENGINE CPL	REMAN PART NO.
<b>LONG BLOCK ASSEMBLIES</b>					
2008-2007	6.7L Pickup	ETJ	All	8230, 8231, 8233, 8234	R8036075AA
2008-2007	6.7L Chassis Cab	ETJ	All	1257, 1264, 2885, 8232	R8003550AA
2008-2006	5.9L	ETH	DEG, DG8	1000, 1083, 1091, 1095, 8344, 8345, 8348, 8349 (325 HP) <b>Not for use on Megacab 4X4 w/Auto Trans</b>	R8001618AA
2008-2006	5.9L	ETH	DG8	1000, 1083, 8344, 8345 (325 HP) <b>For use only on Megacab 4X4 w/Auto Trans</b>	R8001619AA
2005	5.9L	ETH	DEG	8423, 8424 (325 HP) <b>Requires swapping Valve Cover &amp; Rocker Housing from original engine</b>	R8001618AA
2005-2004.5	5.9L	ETH	DG8, DEE	8346, 8347, 8350, 8351, 8421, 8422, 8423, 8424 (325 HP) <b>2004.5 is designated by Sales Code XCK</b>	R5141910AA
2004-2003	5.9L	ETH	DG8, DEE	2998, 8213, 8228 (High Output 305/555)	R5093540AA
		ETC	All	2624, 8212, 8218, 8223, 8224, 8226, 8410, 8412 (Std. Output 235/460)	R5093538AA
2002-2001	5.9L	ETH	DEE	2415, 2495, 2906, 2907, 8034, 8035 (245 HP M/T)	R5019756AA
		ETC	DG7, DDX	2496, 2497, 2865, 2866, 2902, 2903, 2904, 2905, 8030, 8031, 8032, 8033 (235 HP)	R5019755AA
2000-1998.5	5.9L	ETC	ALL	2024, 2098, 2279, 2280, 2512, 2513, 2514, 2515, 2616, 2617, 2618, 2619, 2660, 2661, 2662, 2663 (235 & 215 HP)	R5016374AA
<b>COMPLETE ENGINE ASSEMBLIES</b>					
1998-1997	5.9L	ETB	DDX	2175 (EPA 215 HP M/T)	R3040141AB
			DG7	2174 (EPA 180 HP A/T)	R3040143AB
1998-1996	5.9L	ETB	DDX	1863, 2308 (CAL 180 HP M/T) - with EGR	R3040142AB
			DG7	1863, 2308 (CAL 180 HP A/T) - with EGR	R3040144AB
1996	5.9L	ETB	DDX	2023, 2175 (215 HP M/T)	R4864332
			DG7	2022, 2174 (180 HP A/T)	R4864331
1995-1994	5.9L	ETB	DDX	1549, 1815, 1959, 1968 (175 HP M/T)	R4711581
			DG7	1550, 1816 (160 HP A/T)	R4711580
1993-1991.5	5.9L	ETB	ALL	1351, 1579 (160 HP)	R4711579
1991-1989	5.9L	ETA	ALL	804 (160 HP)	R4429018

Transmission Sales Codes: DEE = NVG5600 Manual 6-speed; DEG = G56 Manual 6-speed w/Dual Mass Flywheel; DG8 = 48RE 4-speed Automatic

# SHORT BLOCK ENGINES

## KIT CONTAINS:

- Cylinder Block
- Crankshaft and Gear
- Connecting Rods
- Main, Thrust and Rod Bearing Set
- Piston and Rings
- Camshaft Bushings (camshaft not included)
- Block Hardware Kit



## CUMMINS-DIESEL APPLICATIONS

MODEL YEAR	APPLICATION	ENGINE	TRANS	ENGINE CPL	REMAN PART NO.
<b>SHORT BLOCK ASSEMBLIES</b>					
2008-2007	6.7L	ETJ	ALL	1257, 1264, 2885, 8232, 8230, 8231, 8233, 8234	R8003549AA
2008-2004.5	5.9L	ETH	DEG, DG8	1000, 1083, 1091, 1095, 8344, 8345, 8346, 8347, 8348, 8349, 8350, 8351, 8421, 8422, 8423, 8424 (325 HP) <b>Not for use on Megacab 4X4 w/Auto Trans and 2004.5 is designated by Sales Code XCK</b>	R8001620AA
2007-2006*	5.9L	ETH	DG8	1000, 1083, 8344, 8345 (325 HP) <b>For use only on Megacab 4X4 w/Auto Trans</b>	R8001621AA
2004-2003	5.9L	ETH	DG8, DEE	2998, 8213, 8228 (305 HP)	R5093539AA
		ETC	All	2624, 8212, 8218, 8223, 8224, 8226, 8410, 8412 (250 & 235 HP)	R5093537AA
2002-2001	5.9L	ETH	DEE	2415, 2495, 2906, 2907, 8034, 8035 (245 HP M/T)	R5019754AA
		ETC	DG7, DDX	2496, 2497, 2865, 2866, 2902, 2903, 2904, 2905, 8030, 8031, 8032, 8033 (235 HP)	R5019753AA
2000-1998.5	5.9L	ETC	ALL	2024, 2098, 2279, 2280, 2512, 2513, 2514, 2515, 2616, 2617, 2618, 2619, 2660, 2661, 2662, 2663 (235 & 215 HP)	R5015092AA
1998-1996	5.9L	ETB	DDX	2023, 2175 (215 HP)	R4864330
			DG7	1863, 2022, 2174, 2308 (180 HP)	R4864329
1995-1994	5.9L	ETB	ALL	1549, 1550, 1815, 1816, 1959, 1968 (175 & 160 HP)	R4761368
1993-1991.5	5.9L	ETB	ALL	1579, 1351 (160 HP)	R4713169
1991-1989	5.9L	ETA	ALL	804 (160 HP)	R4429255

\*Mega Cab with Auto Trans.

Transmission Sales Codes: DEE = NVG5600 Manual 6-speed; DEG = G56 Manual 6-speed w/Dual Mass Flywheel; DG8 = 48RE 4-speed Automatic

# CONNECTING RODS

## KIT CONTAINS:

- Connecting Rod
- Rod Bushing (1 set)
- Rod Bolts



## CUMMINS-DIESEL APPLICATIONS

MODEL YEAR	APPLICATION	ENGINE CPL	REMAN PART NO.
2003.5-1998.5	5.9L	2024, 2098, 2279, 2280, 2415, 2495, 2496, 2497, 2512, 2513, 2514, 2515, 2616, 2617, 2618, 2619, 2660, 2661, 2662, 2663, 2865, 2866, 2902, 2903, 2904, 2905, 2906, 2907, 2998, 8030, 8031, 8032, 8033, 8034, 8035, 8212, 8213, 8218, 8223, 8224, 8226, 8228, 8624, 98293, 98294, 98329	R5003649AA
1998-1989	5.9L	804, 1351, 1549, 1550, 1579, 1815, 1816, 1863, 1959, 2022, 2023, 2174, 2175, 2308 (all 12-valve engines)	R4761457

# CRANKSHAFTS

## KIT CONTAINS:

- Crankshaft
- Crankshaft Gear
- Dowel Pin
- Main, Thrust and Rod Bearings (1 set)



## CUMMINS-DIESEL APPLICATIONS

MODEL YEAR	APPLICATION	ENGINE CPL	REMAN PART NO.
2005-2003	5.9L	2624, 2998, 8128, 8212, 8213, 8223, 8224, 8226, 8228, 8229, 8344, 8345, 8346, 8347, 8348, 8349, 8350, 8351, 8410, 8411, 8412, 8413, 8421, 8422, 8423, 8424, 98293, 98294, 98329	R5086725AA
2002-2001	5.9L	2415, 2495, 2496, 2497, 2865, 2866, 2902, 2903, 2904, 2905, 2906, 2907, 8030, 8031, 8032, 8033, 8034, 8035	R4429632
1998-1989	5.9L	804, 1351, 1549, 1550, 1579, 1815, 1816, 1863, 1959, 2022, 2023, 2174, 2175, 2308 (all 12-valve engines)	R4429632

# CYLINDER HEADS

## KIT CONTAINS:

- Cylinder Head (excludes head gasket)
- Valves
- Springs



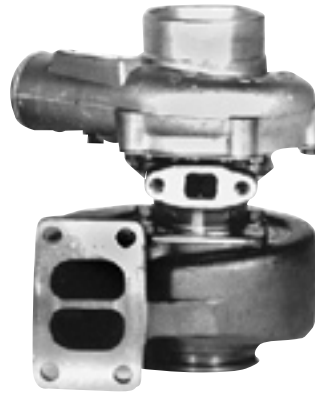
## CUMMINS-DIESEL APPLICATIONS

MODEL YEAR	APPLICATION	ENGINE CPL	REMAN PART NO.
2008-2007	6.7L (Pickup)	8230, 8231, 8233, 8234	R8027066AA
2008-2007	6.7L (Chassis Cab)	1257, 1264, 2885, 8232	R8003404AB
2008-2006	5.9L	8344, 8345, 8348, 8349, 1000, 1083, 1091, 1095	R5179792AA
2005-2004.5	5.9L	8212, 8213, 8226, 8228, 8344, 8345, 8346, 8347, 8348, 8349, 8350, 8351, 8410, 8412, 8421, 8422, 8423, 8424	R5135783AA
2004-2003	5.9L	2426, 2998, 8128, 8212, 8213, 8223, 8224, 8226, 8228, 8229, 8410, 8411, 8412, 8413, 98293, 98294, 98329	R5086860AA
2002-1998.5	5.9L	2024, 2098, 2279, 2280, 2496, 2497, 2415, 2495, 2512, 2513, 2514, 2515, 2616, 2617, 2618, 2619, 2660, 2661, 2662, 2663, 2865, 2866, 2902, 2903, 2904, 2905, 2906, 2907, 8030, 8031, 8032, 8033, 8034, 8035	R5014202AA
1998-1991.5	5.9L	1351, 1549, 1550, 1579, 1815, 1816, 1863, 1959, 1968, 2022, 2023, 2174, 2175, 2308	R5014749AB
1991-1989	5.9L	804 (7 mm head replaces 9 mm head — requires 7 mm injectors)	R4797177

# TURBOCHARGERS

## KIT CONTAINS:

- Turbocharger
- Exhaust Flange Gasket
- Oil Line Gaskets



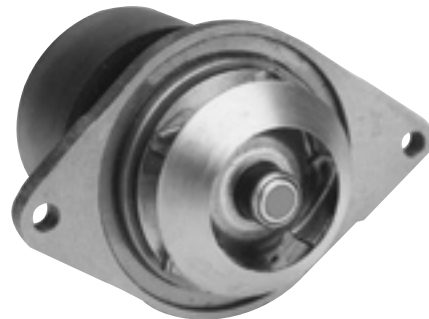
## CUMMINS-DIESEL APPLICATIONS

MODEL YEAR	APPLICATION	ENGINE CPL	REMAN PART NO.
2008-2007	6.7L	1257, 1264, 2885, 8230, 8231, 8232, 8233, 8234	R8013095AA
2008-2004.5	5.9L	1000, 1083, 1091, 1095, 8212, 8213, 8226, 8228, 8344, 8345, 8346, 8347, 8348, 8349, 8350, 8351, 8410, 8412, 8421, 8422, 8423, 8424	R5143256AA
2004-2003	5.9L	2426, 2998, 8128, 8212, 8213, 8223, 8224, 8226, 8228, 8229, 8410, 8411, 8412, 8413, 98293, 98294, 98329	R5086863AB
2002-2000	5.9L	2415, 2495, 2496, 2497, 2662, 2663, 2904, 2905, 2906, 2907, 8032, 8033, 8034, 8035 (235 HP M/T)	R5017509AA
2000-1999	5.9L	2616, 2617, 2618, 2619, 2660, 2661 (A/T)	R5014203AA
1998.5	5.9L	2024, 2098, 2279, 2280, 2512, 2513, 2514, 2515	R5010961AA
1998-1996.5	5.9L	1863, 2308 (CARB)	R5010280AA
1998-1996	5.9L	2023, 2175 (M/T)	R5010278AA
1998-1994	5.9L	1816, 1968, 2022, 2174	R5010276AA
1995-1994	5.9L	1549, 1550, 1815, 1959	R5010960AA
1993-1991.5	5.9L	1351, 1579	R4728700
1991-1989	5.9L	804	R4728036

# WATER PUMPS

## KIT CONTAINS:

- Water Pump
- Gasket



## CUMMINS-DIESEL APPLICATIONS

MODEL YEAR	APPLICATION	ENGINE CPL	REMAN PART NO.
2008-2007	6.7L	1257, 1264, 2885, 8230, 8231, 8232, 8233, 8234	R8003402AA
2008-2003	5.9L	1000, 1083, 1091, 1095, 2624, 2998, 8128, 8212, 8213, 8223, 8224, 8226, 8228, 8229, 8344, 8345, 8346, 8347, 8348, 8349, 8350, 8351, 8410, 8411, 8412, 8413, 8421, 8422, 8423, 8424, 98293, 98294, 98329	R5086959AA
2002-1998.5	5.9L	2024, 2098, 2279, 2280, 2415, 2495, 2496, 2497, 2512, 2513, 2514, 2515, 2616, 2617, 2618, 2619, 2660, 2661, 2662, 2663, 2865, 2866, 2902, 2903, 2904, 2905, 2906, 2907, 8030, 8031, 8032, 8033, 8034, 8035 (all 24-valve engines)	R5010964AA
1998-1989	5.9L	804, 1351, 1549, 1550, 1579, 1815, 1816, 1863, 1959, 1968, 2022, 2023, 2174	R5003665AA



# FUEL INJECTORS

## KIT CONTAINS:

- Fuel Injector
- Copper Banjo Seal
- Copper Sealing Washer
- Copper 7 mm to 9 mm Adapter Sleeve (where applicable)



## CUMMINS-DIESEL APPLICATIONS

MODEL YEAR	APPLICATION	ENGINE CPL	O.E. PART NO.	REMAN PART NO.
2008-2007	6.7L	8230, 8231, 8233, 8234	68027067AA	R8027067AA
2008-2007	6.7L	1257, 1264, 2885, 8232	67002012AB	R8002012AB
2006-2004.5	5.9L	8212, 8213, 8226, 8228, 8344, 8345, 8346, 8347, 8348, 8349, 8350, 8351, 8410, 8412, 8421, 8422, 8423, 8424	05135790AD	R5135790AD
2004-2003	5.9L	2426, 2998, 8128, 8212, 8213, 8223, 8224, 8226, 8228, 8229, 8410, 8411, 8412, 8413, 98293, 98294, 98329	08004082AA	R8004082AA
2002-1998.5	5.9L	2024, 2279, 2415, 2495, 2496, 2497, 2512, 2514, 2616, 2618, 2662, 2663, 2865, 2866, 2902, 2903, 2904, 2905, 2906, 2907, 8030, 8031, 8032, 8033, 8034, 8035 (235 HP)	05013847AA	R5013847AA
		2098, 2280, 2513, 2515, 2617, 2619, 2660, 2661 (215 HP)	05013848AA	R5013848AA
1998-1996	5.9L	2023, 2175 (215 HP)	N/A	R4864328
1995-1994	5.9L	1550, 1816 (175 HP)	N/A	R4761595
		1549, 1815, 1959, 1968 (160 HP)	04761596	R4761596
1993-1991.5	5.9L	1351, 1579 (160 HP)	04638651	R4638651
1991-1989	5.9L	804 (7mm injector tip — supersedes 9mm injector)	04720540	R4720540

# STARTERS

## KIT CONTAINS:

- New Brushes and Holders
- New Battery Posts, Copper Field Coils and Noise Reduction Pads
- New Pinion Assembly
- New Solenoid Switch
- New Over-running Clutch



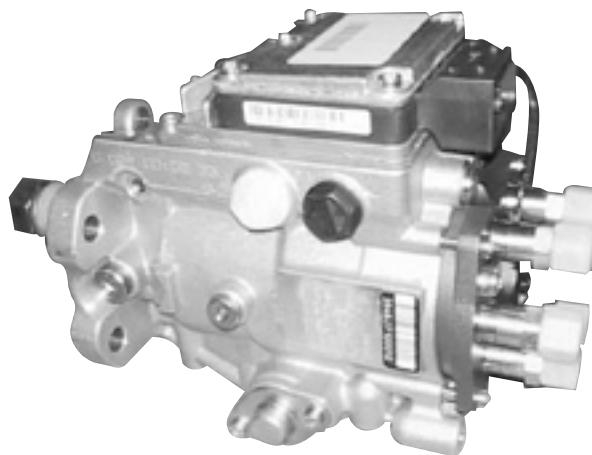
## CUMMINS-DIESEL APPLICATIONS

MODEL YEAR	APPLICATION	ENGINE CPL	REMAN PART NO.
2002-1994	5.9L	1549, 1550, 1815, 1816, 1863, 1959, 2022, 2023, 2174, 2175, 2308, 2024, 2098, 2279, 2280, 2512, 2513, 2514, 2515, 2516, 2517, 2518, 2519, 2616, 2617, 2618, 2619, 2660, 2661, 2662, 2663, 2415, 2495, 2496, 2497, 2865, 2866, 2902, 2903, 2904, 2905, 2906, 8030, 8031, 8032, 8033, 8034, 8035	R4741012
1993-1989	5.9L	804, 1351, 1579	R4428221AB

# FUEL INJECTION PUMPS

## KIT CONTAINS:

- Fuel Pump (complete assembly)
- Mounting Gasket



## CUMMINS-DIESEL APPLICATIONS

MODEL YEAR	APPLICATION	ENGINE CPL	REMAN PART NO.
2008-2007	6.7L	1257, 1264, 2885, 8230, 8231, 8232, 8233, 8234	R8027022AA
2008-2003	5.9L	1000, 1083, 1091, 1095, 8344, 8345, 8346, 8347, 8348, 8349, 8350, 8351, 8421, 8422, 8423, 8424, 2624, 2998, 8128, 8212, 8213, 8223, 8224, 8226, 8228, 8229, 8410, 8411, 8412, 8413, 98293, 98294, 98329	R5143425AA
2002	5.9L	8034, 8035 (245 HP)	R5019657AD
2002-2001	5.9L	2660, 2661, 2662, 2663, 2496, 2497, 2865, 2866, 2902, 2903, 2904, 2905, 8030, 8031, 8032, 8033 (235 HP)	R5019658AD
2001-2000	5.9L	2415, 2495 2906, 2907 (245 HP M/T)	R5019657AC
2000-1998	5.9L	2024, 2098, 2279, 2280, 2512, 2513, 2514, 2515, 2616, 2617, 2618, 2619 (235 HP)	R5013925AA
1998-1997	5.9L	2175 (EPA 215 HP M/T)	R4883974AA
		2174 (EPA 180 HP A/T)	R4883973AA
1998-1996.5	5.9L	1863, 2308 (CARB 180 HP)	R4883975AA
1996	5.9L	2022 (160 HP A/T)	R4882480
1995-1994	5.9L	1550, 1816 (175 HP M/T)	R4761367
		1549, 1815, 1959, 1968 (160 HP A/T)	R4798548
1993-1991.5	5.9L	1351, 1579 (160 HP)	R4728745
1991-1989	5.9L	804 (160 HP)	R4429991

# EGR VALVE KIT

## KIT CONTAINS:

- EGR Valve
- EGR Valve Gasket

## CUMMINS-DIESEL APPLICATIONS

MODEL YEAR	APPLICATION	ENGINE CPL	REMAN PART NO.
2008-2007	6.7L	1257, 1264, 2885, 8230, 8231, 8232, 8233, 8234	R8026995AA

# ENGINE CONTROLLERS (JTEC)

## PRODUCT FEATURES:

- Engine controller for Jeep® vehicles, Truck and Viper
- Contains OBDII emissions diagnostic system
- Reflash capability for easy software upgrades using DRBIII
- Each unit is tested to meet O.E. specifications using the same series of tests as new parts
- Faulty components are replaced with new
- Unit fully resealed



## CUMMINS-DIESEL APPLICATIONS

MODEL YEAR	APPLICATION	ENGINE CPL	O.E. PART NO.	REMAN PART NO.	O.E. GENERIC PART NO.	GENERIC PART NO.
2008-2007	6.7L (Chassis Cab and Pickup)	1257, 1264, 2885, 8232, 8230, 8231, 8233, 8234	05179028AB	R5179028AB	05179028AB	R5179028AB
2008-2006	5.9L	8344, 8345, 8348, 8349, 1000, 1083, 1091, 1095	05179027AA	R5179027AA	05179027AA	R5179027AA
2005-2003	—	8218, 8224, 2624, 8223, 8212, 8213, 8226, 8228, 8344, 8345, 8346, 8347, 8348, 8349, 8350, 8351, 8410, 8412, 8421, 8422, 8423, 2426, 2998, 8128, 8212, 8213, 8224, 8229, 8411, 8413, 98293, 98294, 98329	N/A	N/A	05191829AA	R5191829AA
2002	—	8030, 8031, 8032, 8033, 8034, 8035	N/A	N/A	05083997AA	R5083997AA
2001*	—	2415 (EPA 245 HP M/T)	333032305J	R33032305J	05083997AA	R5083997AA
		2495 (CARB 24 HP M/T)	373930304J	R73930304J	05083997AA	R5083997AA
		2496 (EPA 235 HP M/T)	333033306J	R33033306J	05083997AA	R5083997AA
		2497 (CARB 235 HP M/T)	373931305J	R73931305J	05083997AA	R5083997AA
		2865 (EPA 235 HP A/T)	333030307J	R33030307J	05083997AA	R5083997AA
		2866 (CARB 235 HP A/T)	373932306J	R73932306J	05083997AA	R5083997AA

\*Early production sold first half of 2000.

Note: All are approved for new-vehicle warranty usage.

# ENGINE CONTROLLERS (JTEC)

## CUMMINS—DIESEL APPLICATIONS (CONT.)

MODEL YEAR	APPLICATION	ENGINE CPL	O.E. PART NO.	REMAN PART NO.	O.E. GENERIC PART NO.	GENERIC PART NO.
2001	—	2902 (EPA 235 HP A/T)	383237303J	R83237303J	05083997AA	R5083997AA
		2903 (CARB 235 HP A/T)	383238303J	R83238303J	05083997AA	R5083997AA
		2904 (EPA 235 HP M/T)	383239302J	R83239302J	05083997AA	R5083997AA
		2905 (CARB 235 HP M/T)	383330302J	R83330302J	05083997AA	R5083997AA
		2906 (EPA 245 HP M/T)	383331302J	R83331302J	05083997AA	R5083997AA
		2907 (CARB 245 HP M/T)	383332302J	R83332302J	05083997AA	R5083997AA
2000	—	2660 (EPA 215 HP A/T)	353339304J	R53339304J	05083997AA	R5083997AA
		2661 (CARB 215 HP A/T)	353430304J	R53430304J	05083997AA	R5083997AA
		2662 (EPA 235 HP M/T)	353431304J	R53431304J	05083997AA	R5083997AA
		2663 (CARB 235 HP M/T)	353432304J	R53432304J	05083997AA	R5083997AA
1999	—	2516, 2616 (EPA 235 HP M/T)	323639306J	R23639306J	N/A	R5083996AA
		2517, 2617 (EPA 215 HP A/T)	323730306J	R23730306J	N/A	R5083996AA
		2518, 2618 (CARB 235 HP M/T)	323638306J	R23638306J	N/A	R5083996AA
		2519, 2619 (CARB 215 HP A/T)	323637306J	R23637306J	N/A	R5083996AA
1998.5	—	2024, 2515 (EPA 235 HP M/T)	N/A	R33036304J	N/A	R5083996AA
		2098, 2513 (EPA 215 HP A/T)	N/A	R33037304J	N/A	R5083996AA
		2279, 2514 (CARB 235 HP M/T)	N/A	R33034304J	N/A	R5083996AA
		2280, 2515 (CARB 215 HP A/T)	N/A	R33035304J	N/A	R5083996AA

\*Early production sold first half of 2000.

Note: All are approved for new-vehicle warranty usage.

# VACUUM PUMPS

## KIT CONTAINS:

- New Seals, O-rings and Impellers



## CUMMINS-DIESEL APPLICATIONS

MODEL YEAR	ENGINE CPL	REMAN PART NO.
2002-1991	All	R5019734AA

AUTHENTIC PERFORMANCE™



# FUEL SYSTEMS

---

ELECTRIC FUEL PUMPS

---

