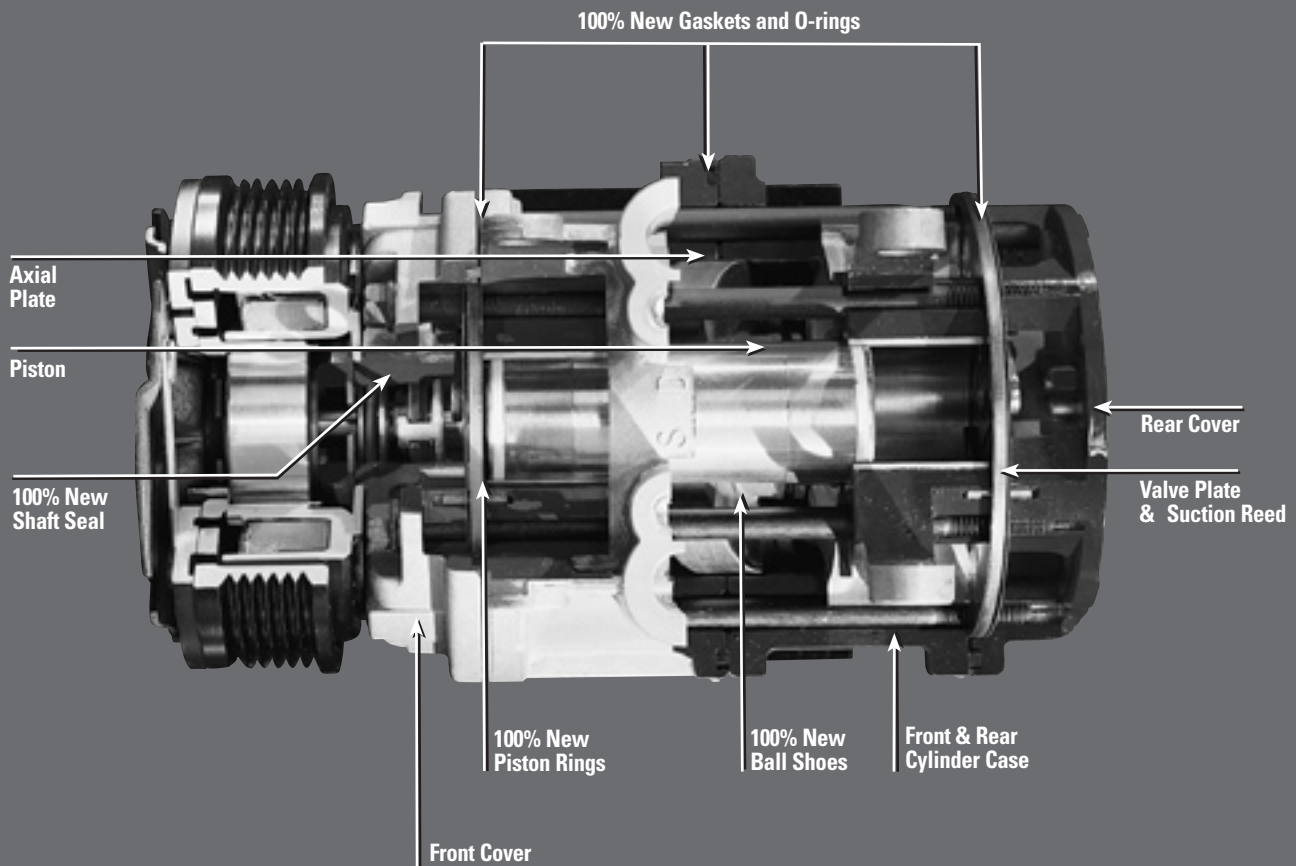


AUTHENTIC PERFORMANCE™



# THE MOPAR® ADVANTAGE

## A/C COMPRESSOR



# A/C CLUTCH AND COIL KITS

## PRODUCT FEATURES:

- New snap rings
- New bearings
- The armature assembly and clutch pulley assembly are balanced and all units are tested to ensure they meet Chrysler LLC O.E. specifications



## PASSENGER CARS

MODEL YEAR	APPLICATION	O.E. PART NO. CLUTCH PULLEY/ COIL ASSEMBLY	REMAN PART NO.
1993-1985	L, K, E, H, G Bodies 2.2L	03848982/04462370	R0631137
	M Bodies 8-cyl.	03848981/04462370	R0631140

## MINIVANS

MODEL YEAR	APPLICATION	O.E. PART NO. CLUTCH PULLEY/ COIL ASSEMBLY	REMAN PART NO.
1993-1985	AS Body 2.2L	03848982/04462370	R0631137

## TRUCKS

MODEL YEAR	APPLICATION	O.E. PART NO. CLUTCH PULLEY/ COIL ASSEMBLY	REMAN PART NO.
1991-1985	AB, AD Bodies 8-cyl.	03848981/04462370	R0631140

# HEATER & A/C BLOWER MOTORS

## PRODUCT FEATURES:

- 100% new brushes, brush springs, circuit breakers, gaskets and O-rings
- Drive gears, armature, bushings, permanent magnet field remanufactured to Chrysler LLC standards
- Armatures are rewound to O.E. specifications
- Tested for proper current, ground and contact
- Fully computerized testing and measurement system ensures proper functioning of the motor



## PASSENGER CARS

MODEL YEAR	APPLICATION	O.E. PART NO.	REMAN PART NO.
1992-1988	Eagle Premier, Dodge Monaco	83504902	R3504902

## MINIVANS

MODEL YEAR	APPLICATION	O.E. PART NO.	REMAN PART NO.
1990-1984	AS Body; Htr. & Htr./AC	04494309	R4494309

# A/C COMPRESSORS

## PRODUCT FEATURES:

- Cylinders are gauged and rehone to O.E. specifications
- Shaft bearings are replaced 100% new, and shaft end play is set to O.E. tolerances
- Piston/swash plate clearances to O.E. specifications
- Reed valves are checked and tested for pressure buildup and vacuum capability
- Compressor is assembled in climate controlled room to control internal dimensional checks, contamination and rust
- Rotational torque of the pump assembly tested 100%
- Each compressor is functionally tested for pumping capacity
- Each compressor is leak tested to maximum leak rate of one pound refrigerant loss in 80 years with helium mass spectrometer equipment



## PASSENGER CARS

MODEL YEAR	APPLICATION	ENGINE	COMPRESSOR TYPE	O.E. PART NO.	REMAN PART NO.* W/O CLUTCH
2001-1993	LH Body	3.3L, 3.5L	10PA17C	04758452/04596148	R1017016
1999-1996	PL Body	2.0L	10PA17C	05264745 05278462AA 05264732	R1017016
1997-1996	LH Body	3.3L, 3.5L	10PA17C	04758900	R1017016
1996-1994	PL Body	2.0L	10PA17C	04874535	R1017016
1995-1994	A, P Bodies	2.2L, 2.5L (exc. 16V)	10PA17C	04677299	R1017016
	A, J, P Bodies	3.0L, 3.3L, 3.8L	10PA17C	04677301	R1017016
1993-1991	A, G, J, P Bodies	3.0L, 3.3L	10PA17C	05264371	R1017016
1992-1991	A, C, G, J, P Bodies	2.2L, 2.5L (exc. 16V)	10PA17C	05264372	R1017016
1991-1985	All	2.2L, 2.5L, 3.0L - Solid Engine Mount	A590	04443131	R4443131
1991-1979	All	All I-6 cylinders, V8	C171	04339455	R4339455

\*Compatible with both R12 and R134a refrigerant.

# A/C COMPRESSORS

(CONTINUED)

## MINIVANS

MODEL YEAR	APPLICATION	ENGINE	COMPRESSOR TYPE	O.E. PART NO.	REMAN PART NO.* W/O CLUTCH
1995-1993	AS Body	3.0L	10PA17K	04677038	R1017035
	AS Body	3.3L	10PA17K	04677347/04677039/ 04677346	R1017035
	AS Body	2.2L, 2.5L (exc. 16V)	10PA17C	04677040	R1017016
1993-1991	AS Body	3.0L, 3.3L, 3.8L	10PA17C	05264371	R1017016
1991-1985	All	2.2L, 2.5L, 3.0L - Solid Engine Mount	A590	04443131	R4443131

\*Compatible with both R12 and R134a refrigerant.

## TRUCKS

MODEL YEAR	APPLICATION	ENGINE	COMPRESSOR TYPE	O.E. PART NO.	REMAN PART NO.* W/O CLUTCH
2001-1994	AN Body	3.9L, 5.2L, 5.9L	SD7H15	55055540	R7150049
2000-1994	BR Body	Diesel	SD7H15	55036561	R5036561AB
1998-1996	AN Body	2.5L	SD7H15	55037358	R7150066
1996-1994	BR Body	Gas	SD7H15	55036799	R7150049
1995-1994	AN Body	2.5L	SD7H15	55036563	R7150045
1993-1992	AD Body	5.9L	SDB709	55035703	R7090003
	AN Body	2.5L, 3.9L, 5.2L	SDB709	55035647	R7090003
	AD Body	3.9L, 5.2L	SDB709	55035703	R7090003
1993-1990	AD Body	Diesel w/intercooler	SDB709	56004657	R7091003
	All	5.2L	SDB709	56004660	R7090003
1991-1988	AD Body	5.9L Diesel	SDB709	04428903	R4428903
1991-1979	All	All I-6 cylinders, V8	C171	04339455	R4339455

\*Compatible with both R12 and R134a refrigerant.

## JEEP®

MODEL YEAR	APPLICATION	ENGINE	COMPRESSOR TYPE	O.E. PART NO.	REMAN PART NO.* W/O CLUTCH
1996-1994	XJ Body	2.5L, 4.0L	SD7H15	55037359	R7150036
	YJ Body	All	SD709	56004354	R7090016
	ZJ Body	5.2L	10PA17C	56006551	R1017016
1993	YJ Body w/Factory A/C (after 12/23/93)	6-cyl.	SD7H15	55037359	R7150036
1993-1991	YJ Body w/Factory A/C (up to 12/23/93)	6-cyl.	SD709	56004354	R7090016
	MJ, XJ Bodies, Briarwood	All	SD709	56004354	R7090016
	ZJ Body	4.0L	10PA17C	56006551	R1017016
1990-1987	MJ, SJ, XJ Bodies w/ wide cylinder head stamped 5081U (4-cyl.)	4-cyl., 6-cyl.	SD508	53005752	R5080070

\*Compatible with both R12 and R134a refrigerant.

# A/C COMPRESSORS WITH CLUTCH KIT

## PRODUCT FEATURES:

- Each part is cleaned and inspected
- Cylinders are gauged and re honed
- Shaft bearings are removed and replaced, if necessary
- Reed valves are checked and tested for pressure buildup and vacuum capability
- Front and rear heads are inspected to ensure that O-ring seals, threads and all internal surfaces are free from imperfections and external damage
- Piston rings and O-rings are replaced with new
- Clutch kit is included



## PASSENGER CARS

MODEL YEAR	APPLICATION	ENGINE	O.E. PART NO.	PART NO.* W/CLUTCH KIT
1999-1996	PL Body	1.8L, 2.0L	5264732/5264745/ 5278462AA	R1017209
1999-1993	LH Body	2.7L V6	04698723AD	R4698723AD
1997-1996	LH Body	3.3L, 3.5L	04758900	R1017357
1996-1993	LH Body	3.3L, 3.5L	04596148/04758452	R1017355
1995	PL Body	2.0L	04874535	R4874535

\*Compatible with both R12 and R134a refrigerant.

## MINIVANS

MODEL YEAR	APPLICATION	ENGINE	O.E. PART NO.	PART NO.* W/CLUTCH KIT
2000-1996	NS Body	2.4L	04677205	R4677205
	NS Body	3.0L	04677143	R4677143
	NS Body	3.3L, 3.8L	04677156AB	R4677156AB
1995-1993	AS Body	3.0L	04677038	R1017305
	AS Body	3.3L, 3.8L	04677039/04677202/ 04677346/04677347	R1017385

\*Compatible with both R12 and R134a refrigerant.

## TRUCKS

MODEL YEAR	APPLICATION	ENGINE	O.E. PART NO.	PART NO. W/CLUTCH KIT
2003-2002	DN Body	5.9L	55056095AB	R5056095AB
2002	AN Body	2.5L	55056108AE	R5056108AE
2002-1997	BR Body	3.9L, 5.2L, 5.9L	55055540AM	R5055540AM
2002-1996	BR Body	Diesel	55055339AH	R5055339AH
1999-1994	AN, N, BR Bodies	3.9L, 5.2L, 5.9L	55036799	R7150499

## JEEP®

MODEL YEAR	APPLICATION	ENGINE	O.E. PART NO.	PART NO. W/CLUTCH KIT
2004-2002	KJ Body	3.7L V6	55037466AE	R5037466AE
2001-1994	XJ Body	2.5L, 4.0L	55037359	R7150406
1998-1994	ZJ Body	4.0L	55036151	R5036151
1995-1993	YJ Body w/Factory A/C (after 12/23/93)	6-cyl.	55037359	R7150406

Note: The photo shown on this page may not be representative of the actual part.



AUTHENTIC PERFORMANCE™



# STEERING

---

POWER STEERING PUMPS

---

RACK & PINION  
POWER STEERING GEARS

---

