



**2003 SHOCKS, STRUTS &
LIFTGATE SUPPORTS**

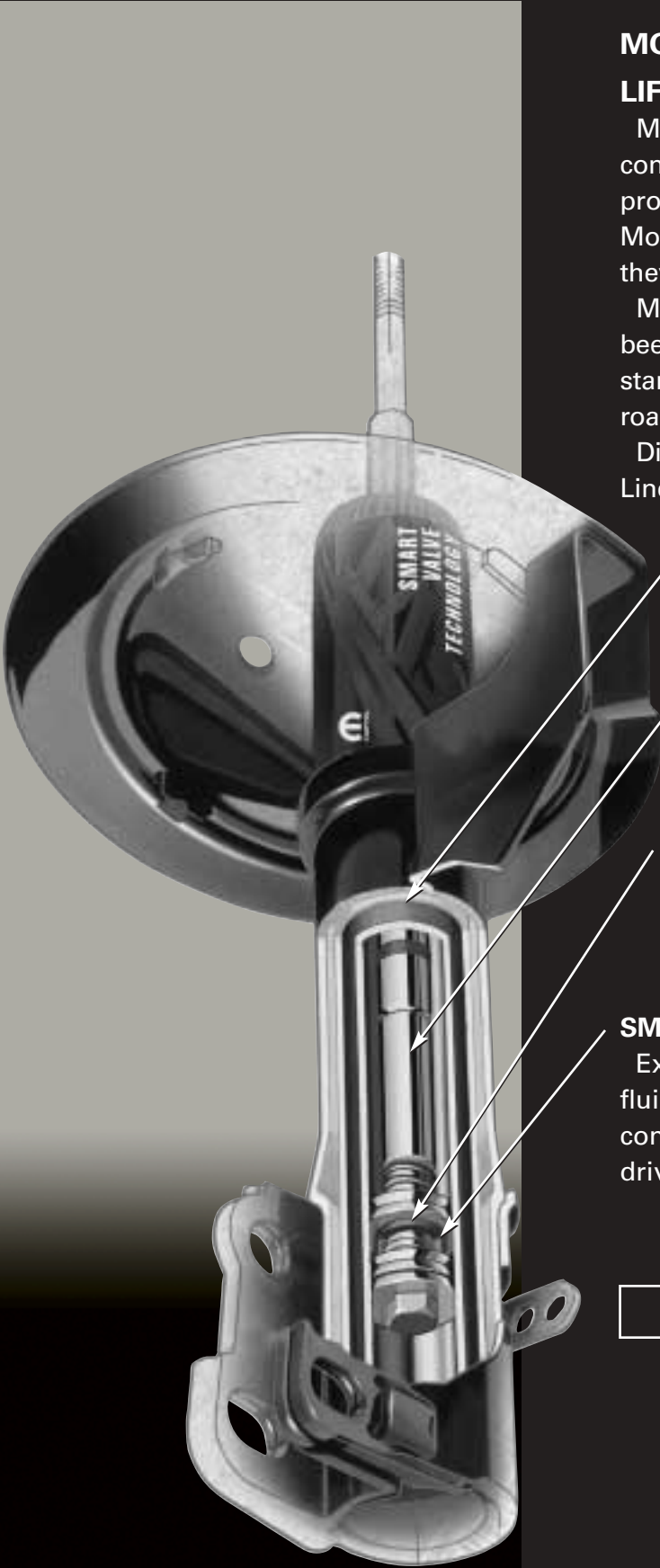


MOPAR VALUE LINE SHOCKS, STRUTS & LIFTGATE SUPPORTS

Mopar Value Line consolidates fast-moving and competitively priced products into a single marketing program so you can give your customers the Mopar quality they want and the competitive prices they demand.

Mopar Shocks, Struts and Liftgate Supports have been developed using DaimlerChrysler Engineering standards for optimal vehicle control over a variety of road conditions.

Discover the Mopar Difference with Value Line products.



NITROGEN GAS CHARGED

Increased nitrogen gas-charged pressure helps reduce fading and improves handling.

CHROME-PLATED PISTON ROD

A chrome-plated piston rod helps reduce corrosion and wear, providing longer life.

O-RING PISTON SEAL

An o-ring piston seal helps eliminate fluid leakage and increases piston efficiency, providing optimal comfort and control.

SMART VALVE TECHNOLOGY

Exclusive Smart Valve Technology (SVT) controls the fluid path to provide a softer ride under normal conditions and a firmer ride under extreme driving situations.

MOPAR VALUE LINE

Batteries
Belts & Hoses
Brakes
Exhaust
Filters

Lighting
Shocks, Struts & Liftgate Supports
Spark Plugs
Wiper Blades

TABLE OF CONTENTS

DESCRIPTION	PAGE
Product Line Overview	4-5
SVT Overview	6
Lifetime Limited Warranty.....	7
G00 Applications.....	8-11
Mopar to O.E. Cross Reference.....	12
O.E. to Mopar Cross Reference.....	13
2003 Shock & Strut Applications	14
2002 Shock & Strut Applications	15
2001 Shock & Strut Applications.....	16
2000 Shock & Strut Applications	17
1999 Shock & Strut Applications.....	18
1998 Shock & Strut Applications.....	19
1997 Shock & Strut Applications.....	20
1996 Shock & Strut Applications.....	21
1995 Shock & Strut Applications.....	22
1994 Shock & Strut Applications.....	23
1993 Shock & Strut Applications.....	24
Strut Mount & Bearing Applications	25
Liftgate Support Applications.....	26

Since the time of printing, some of the information you'll find in this catalog may have been updated. DaimlerChrysler Motors Company, LLC reserves the right to discontinue parts or specifications and applications without notice and without incurring obligation.

SHOCKS, STRUTS & LIFTGATE SUPPORTS

PRODUCT LINE OVERVIEW

MOPAR SHOCKS, STRUTS & LIFTGATE SUPPORTS

G0073XXX Series

MOPAR GAS PLUS/HEAVY-DUTY GAS CHARGED SHOCKS

The Gas Plus heavy-duty shock absorber is a competitively priced, quality engineered, nitrogen gas-charged replacement shock. It provides excellent ride comfort and handling control, and the nitrogen charge helps eliminate shock fade caused by aeration and foaming. It features a 1 3/16" piston bore to improve heat dissipation, prolong shock life and provide consistent performance on varying road conditions.



G0080XXX/G0060XXX Series

SVT SHOCK

Mopar SVT shocks (G0080XXX Series) feature Smart Valve Technology, which provides a superior ride under normal conditions plus additional control under harsh or heavily loaded conditions. SVT shocks utilize highly polished piston rods and advanced radial lip rods seals to retain gas pressurization and prolong shock life. Extra large 1 3/16" piston bore has 40% more working area than 1" bore shocks for better ride control. Exclusive O-ring piston seal helps eliminate fluid leakage and increases efficiency of piston operation for longer life.

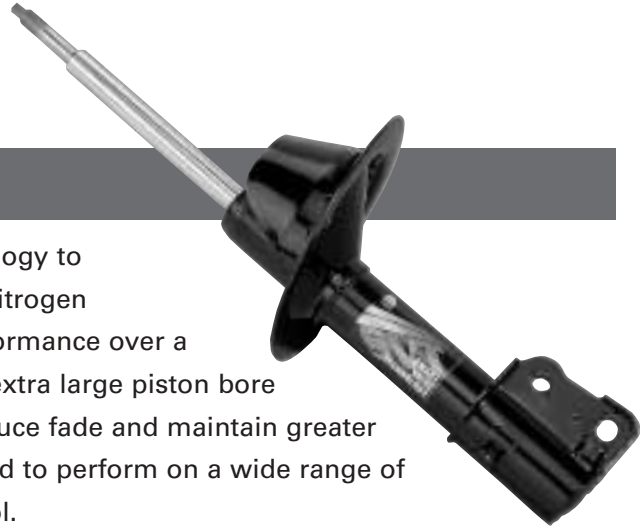
Mopar SVT shocks (G0060XXX Series) offer Smart Valve Technology in a larger package to meet the demands of Jeep and Dodge Truck owners. The extra large fluid reservoir and 1 3/8" piston bore help handle harsh conditions for a firm, yet smooth ride. For superb handling, consistent control and greater stability when the going gets tough, recommend the SVT shock.



G0067XXX Series

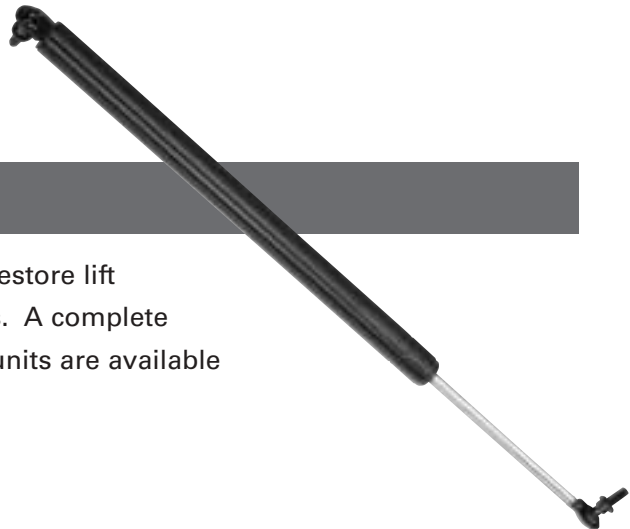
SVT STRUT

Mopar SVT struts bring Smart Valve Technology to front-wheel-drive cars and minivans. The nitrogen gas-charged strut provides impressive performance over a standard replacement strut. It features an extra large piston bore and computer engineered valve to help reduce fade and maintain greater front-end stability. The SVT strut is designed to perform on a wide range of road surfaces and maintain handling control.



MOPAR LIFTGATE SUPPORTS

Mopar's line of replacement liftgate supports restore lift in worn, tired rear liftgates, hatches and hoods. A complete line of high quality, gas-charged replacement units are available for many popular vehicles.

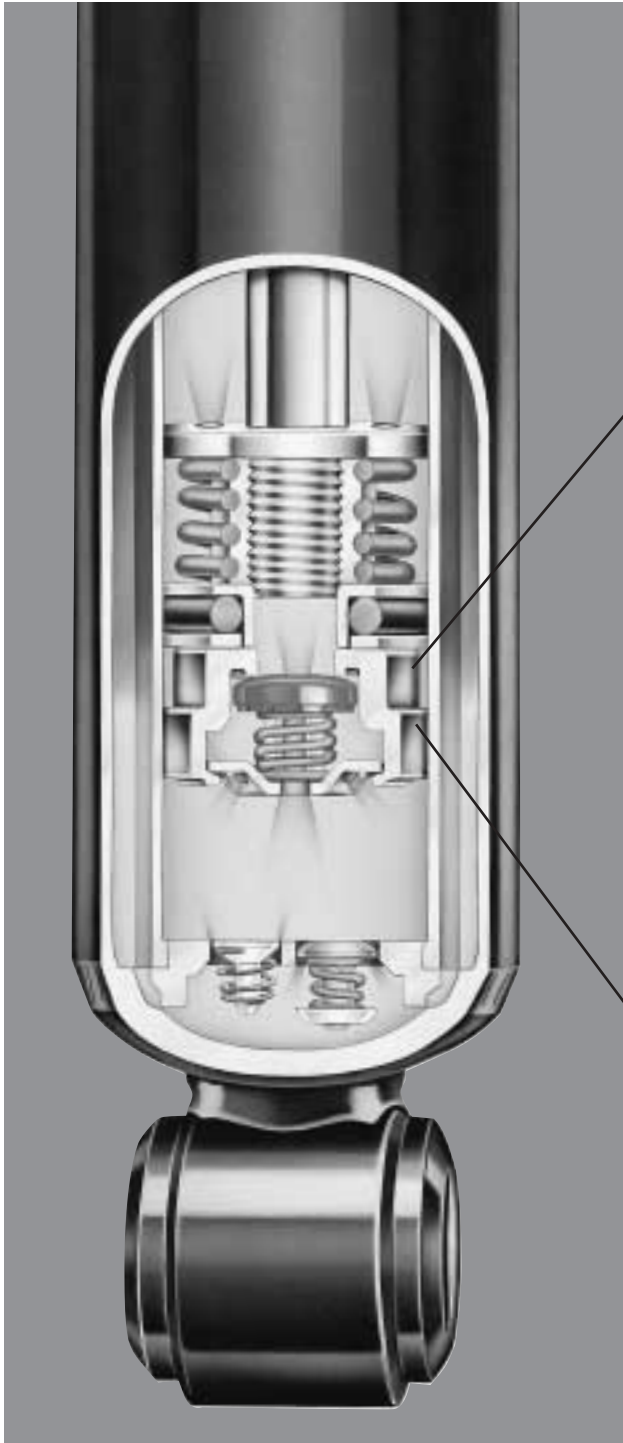


SHOCKS, STRUTS & LIFTGATE SUPPORTS

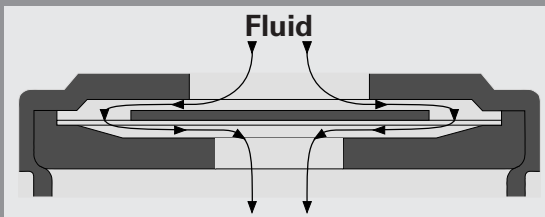
SVT OVERVIEW

Smart Valve Technology Comes to Mopar Shocks & Struts

Mopar's line of shocks and struts feature Smart Valve Technology (SVT), which controls the fluid path to provide a softer ride under normal conditions and a firmer ride under extreme driving situations. Mopar Gas Plus and SVT shocks and struts offer superior performance at a competitive price.

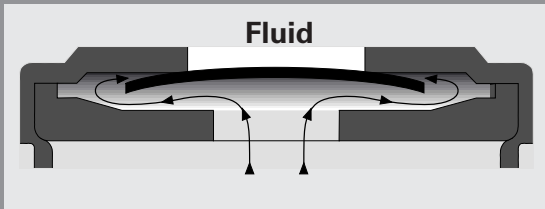


SVT valve under normal conditions



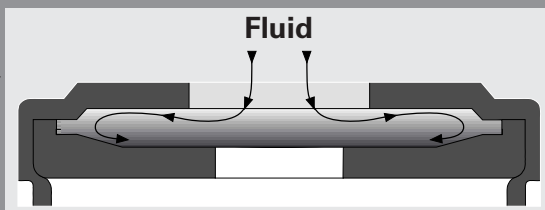
Provides a smooth comfortable ride.

SVT valve during high velocity compression



Flexes to restrict fluid flow, slow the piston and provide better control and handling.

SVT valve during high velocity rebound



Flexes to absorb the impact of abrupt road changes.

LIFETIME LIMITED WARRANTY
I. What Is Warranted

Mopar replacement Shocks and Struts sold by an authorized Chrysler, Dodge, or Jeep® dealer are warranted against defects in workmanship or materials for the lifetime of the vehicle on which they are installed. This warranty is given only to the original retail purchaser and is not transferable.

II. How to Obtain Mopar Warranty Service

Where both parts and labor are covered warranty items, repairs will be made by any Chrysler, Dodge, or Jeep dealer at no charge using new or remanufactured components. Where parts only are covered, any Chrysler, Dodge, or Jeep dealer will provide replacement parts at no charge. It is recommended that you take your Chrysler, Dodge, or Jeep vehicle to your selling dealer or to the dealer who sold or installed your Mopar part. However, you may obtain replacement parts or service under warranty from any authorized Chrysler, Dodge, or Jeep dealer. Except in an emergency, warranty service for Mopar Parts may be obtained only at an authorized Chrysler, Dodge, or Jeep dealer.

III. What Is Not Covered

Mopar warranties do not cover any non-DaimlerChrysler Motors Company, LLC or non-Mopar parts, components or equipment. These warranties also do not cover the costs of any repairs or adjustments that might be caused by or needed because of the use or installation of a non-DaimlerChrysler Motors Company, LLC or non-Mopar parts, equipment, materials or additives.

Mopar warranties do not cover the costs of repairing damage or conditions caused by fire or accident; by abuse, negligence, or misuse (for example, driving over curbs, or overloading or racing the vehicle); by improper adjustment, alteration or failure to maintain the vehicle on which they are installed; or corrosion or damage caused by the use of caustic materials.

Mopar Limited Warranties do not cover parts installed on a vehicle used for racing or competition nor do they cover the repair of any damage or conditions caused by racing or competition.

Mopar Limited Warranties do not cover the costs of repairing or replacing any part due to damage caused by poor or improper maintenance, contaminated fuels, or the use of fuels, oils, lubricants or fluids of a type other than those recommended in your Owner's Manual.

Mopar warranties do not cover the costs of repairing damage caused by environmental factors or Acts of God. "Environmental factors" include such items as airborne fallout, chemicals, tree sap, salt, ocean spray and road hazards. "Acts of God" include such things as hail, floods, windstorms, lightning, tornadoes, sandstorms and earthquakes.

Mopar warranties do not apply to parts installed on a vehicle which has had its odometer or emissions systems tampered with or disconnected; or which has been declared to be a total loss by any insurance company or is rebuilt after being declared to be a total loss; or is issued a certificate of title indicating that it is designated as "salvage," "junk," "rebuilt" or words of similar import.

DaimlerChrysler Motors Company, LLC will deny warranty coverage without notice if it finds that a vehicle is ineligible for warranty coverage because it has been salvaged or declared a total loss as set forth in the above paragraph.

Mopar Limited Warranties do NOT cover any incidental or consequential damages connected with the failure of the part under warranty. Such damages include lost time; inconvenience; the loss of the use of your vehicle; the cost of rental cars, gasoline, telephone, travel or lodging; the loss of personal or commercial property; or the loss of revenue. Some states do not allow the exclusion or limitation of incidental or consequential damages, so the above limitations or exclusions may not apply to you.

Your warranties can also be restricted by DaimlerChrysler Motors Company, LLC, as set forth in the New Vehicle Limited Warranty. If your new vehicle limited warranty is restricted by DaimlerChrysler Motors Company, LLC, coverage under your Mopar Parts Limited Warranties may also be restricted or denied.

IV. Other Terms

To the extent allowed by law, any implied warranties, including any implied warranty of merchantability or fitness for a particular purpose, are limited in duration to the duration of these express warranties. To the extent allowed by law, if the parts are installed on a vehicle used primarily for business or commercial purposes, no implied warranties apply. Some states do not allow limitations on how long an implied warranty lasts, so the above limitations may not apply to you.

These warranties are the only express warranties made by DaimlerChrysler Motors Company, LLC for Mopar Parts. Except where prohibited by law, this warranty is the sole and exclusive remedy.

No person, including a dealer or employee of DaimlerChrysler Corporation or DaimlerChrysler Motors Company, LLC, has the authority to vary or change these warranties.

Michigan law governs this warranty to the extent allowed by law. Interpretation of the terms of this warranty must be done using Michigan law.

These Limited Warranties give you specific legal rights and you may also have other rights that vary from state to state.

SHOCKS, STRUTS & LIFTGATE SUPPORTS

G00 APPLICATIONS

SVT SHOCK ABSORBERS

Veh. Pos.	Year	Application
G0060012		
R	92-93	Ram D-100-D-250 (AB Body) All exc. D-200, D-250 heavy-duty package, crew cab w/165" wheelbase & Diesel
G0060017		
F	92-93	MB-300 (MB Body) All exc. w/4000 lb. front axle
F	92-93	Ram D-100-D-250 (AD Body) All exc. D-200-D-250 heavy-duty package, crew cab w/165" wheelbase & Diesel
F	92-93	BF-300 (BF Body) All exc. w/4000 lb. front axle
F	92-02	Ram Van (AB Body) All exc. B-350 w/4000 lb. front axle
G0060028		
F	92-93	Ram W100-W350 (AW Body) All
G0060029		
R	92-93	Ram W100-W350 (AN Body) All
G0060039		
R	92-93	MB-300 (MB Body) All exc. w/4000 lb. front axle
R	92-93	MB-350 (MB Body) w/4000 lb. front axle
R	92-93	BF-300 (BF Body) All exc. w/4000 lb. front axle
R	92-93	BF-350 (BF Body) w/4000 lb. front axle
R	92-02	Ram Van (AB Body) All
G0060043		
F	92-93	BF-350 (BF Body) w/4000 lb. front axle
F	92-93	MB-350 (MB Body) w/4000 lb. front axle
F	99-00	Grand Cherokee (WJ Body) SDA, SDU
G0060052		
F	92	Comanche (MJ Body) All
F	92-96	Cherokee, Wagoneer (XJ Body) All
F	92-98	Grand Cherokee (ZJ Body) Standard Suspension, SDA
F	97	Wagoneer (XJ Body) All
F	97-02	Cherokee (XJ Body) SDA, SDU
F	99-02	Grand Cherokee (WJ Body)
G0060053		
R	92-98	Cherokee, Wagoneer (XJ Body) All
R	97	Wagoneer (XJ Body) All
R	97-00	Cherokee (XJ Body) SDA, SDU

Veh. Pos.	Year	Application
G0060062		
R	92-95	Caravan, Town & Country, Voyager (AS Body) All
G0060083		
R	92-96	Dakota (AN Body) 2WD
G0060099		
R	92-95	Wrangler (YJ Body) All
G0060101		
R	92	Comanche (MJ Body) All
G0060110		
R	92-96	Dakota (AN Body) 4WD SFA, SFB
G0060111		
R	97-02	Dakota (AN Body) All
R	97-02	Durango (DN Body) All
G0060129		
F	92-95	Wrangler (YJ Body) Standard Suspension
G0060186		
R	93-95	Grand Cherokee (ZJ Body) Standard Suspension
G0060205		
F	94-02	Ram Truck (BR Body) 2WD
G0060206		
R	94-02	Ram Truck (BR Body) 2WD
R	94-02	Ram Truck (BR Body) 4WD All exc. 8800 GVW & Diesel
G0060216		
F	94-02	Ram Truck (BR Body) 4WD all exc. 8800 GVW & Diesel
G0060217		
F	94-02	Ram Truck (BR Body) 4WD w/8800 GVW & Diesel

F = Front R = Rear

SVT SHOCK ABSORBERS (CONT.)

Veh. Pos.	Year	Application
G0060218		
R	94-02	Ram Truck (BR Body) 4WD w/8800 GVW & Diesel
G0060226		
R	95-98	Grand Cherokee (ZJ Body) Standard Suspension, SDA
G0060233		
R	96-00	Caravan, Town & Country, Voyager (NS Body) heavy-duty w/o load leveling
G0060264		
R	97	Wrangler (TJ Body) SDA, SDU
F	97-02	Wrangler (TJ Body) SDA, SDU
G0060265		
R	98-02	Wrangler (TJ Body) SDA, SDU
G0060306		
F	92-00	Dakota (AN Body) 4WD
F	98-99	Durango (DN Body) 4WD w/3.9L, 5.2L, 5.9L engines
F	00-02	Durango (DN Body) 4WD SFB w/EMO, SGB
F	00-02	Durango (DN Body) 4WD SFC w/EMO, SGC, right, left
F	00-02	Durango (DN Body) 4WD SFB w/EVO
G0060313		
F	92-02	Dakota (AN Body) 2WD
G0061170		
R	99-02	Grand Cherokee (WJ Body) SDA, SDU
G0089632		
R	92-93	Daytona, LeBaron (AG Body) All
R	92-93	5th Avenue, Imperial (AY Body) All exc. self leveling system
R	92-93	New Yorker, Salon, Landau (AC Body) FWD All exc. self leveling system
R	92-94	Shadow, Sundance (AP Body) All
R	92-95	Acclaim, LeBaron, Spirit (AA Body) All

Veh. Pos.	Year	Application
G0089743		
R	92-93	Dynasty (AC Body) All exc. self leveling system
G0089895		
F	92	Comanche (MJ Body) All
F	92	Cherokee, Wagoneer (XJ Body) All
F	97	Wagoneer (XJ Body) All
F	97-02	Cherokee (XJ Body) SDA, SDU
F	00-02	Cherokee (XJ Body) SDA, SDU
G0089896		
R	92	Cherokee, Wagoneer (XJ Body) All
R	97	Cherokee (XJ Body) SDA, SDU
R	97-02	Wagoneer (XJ Body) All
R	00-02	Cherokee (XJ Body) SDA, SDU
G0089897		
R	92	Caravan, Town & Country, Voyager (AS Body) All
R	95	Caravan, Town & Country, Voyager (AS Body) All
G0089899		
F	92-95	Wrangler (YJ Body) Heavy-duty Suspension
G0089900		
R	92-95	Wrangler (YJ Body) Heavy-duty Suspension

SHOCKS, STRUTS & LIFTGATE SUPPORTS

G00 APPLICATIONS

PREMIUM SVT STRUTS

Veh. Pos.	Year	Application
G0067525AB		
F	92-95	Caravan, Town & Country, Voyager (AS Body) All
G0067526		
F	92-93	5th Avenue, Imperial (AY Body) All exc. self leveling system
F	92-93	New Yorker, Salon, Landau (AC Body) FWD all exc. self leveling system
F	92-93	Daytona, LeBaron (AG Body) All
F	92-94	Dynasty (AC Body) All exc. self leveling system
F	92-94	Shadow, Sundance (AP Body) All
F	92-95	Acclaim, LeBaron, Spirit (AA Body) All
G0067663		
F	93-97	Concorde, Intrepid, LHS, New Yorker, Vision (LH Body) All left
F	98-00	300M, Concorde, Intrepid, LHS (LH Body) SDG left, luxury tuned
F	98-00	300M, Concorde, Intrepid, LHS (LH Body) SDD left, perf. tuned
F	98-00	300M, Concorde, Intrepid, LHS (LH Body) SDC left, firm feel suspension

Veh. Pos.	Year	Application
G0067664		
F	93-97	Concorde, Intrepid, LHS, New Yorker, Vision (LH Body) All right
F	98-00	300M, Concorde, Intrepid, LHS (LH Body) SDG right, luxury tuned
F	98-00	300M, Concorde, Intrepid, LHS (LH Body) SDD right, perf. tuned
F	98-00	300M, Concorde, Intrepid, LHS (LH Body) SDC right, firm feel suspension
G0067665		
R	93-97	Concorde, Intrepid, LHS, New Yorker, Vision (LH Body) All right
R	93-97	Concorde, Intrepid, LHS, New Yorker, Vision (LH Body) All left
G0067697		
F	96-00	Caravan, Town & Country, Voyager (NS Body) All

F = Front R = Rear

G00 APPLICATIONS

G00 APPLICATIONS
HEAVY-DUTY GAS/GAS PLUS SHOCK ABSORBERS

Veh. Pos.	Year	Application	Veh. Pos.	Year	Application
G0020727			G0073574		
R	92-95	Caravan, Town & Country, Voyager (AS Body) All	R	92-93	BF-300 (BF Body) All exc. w/4000 lb. front axle
G0073310			R	92-93	BF-300 (BF Body) w/4000 lb. front axle
R	92-93	Ram D-100-D-250 (AD Body) All exc. D-200-D-250 heavy-duty package, crew cab w/165" wheelbase & Diesel	R	92-93	MB-300 (MB Body) All exc. w/4000 lb. front axle
G0073318			R	92-93	MB-350 (MB Body) w/4000 lb. front axle
F	92-99	Ram Van (AB Body) All exc. B-350 w/4000lb. front axle	R	92-99	Ram Van (AB Body) All exc. B-350 w/4000 lb. front axle
F	92-93	MB-300 (MB Body) All exc. w/4000 lb. front axle	G0073630		
F	92-93	BF-300 (BF Body) All exc. w/4000 lb. front axle	F	92-00	Dakota (AN Body) 2WD
F	92-93	Ram D-100-D-250 (AD Body) All exc. D-200-D-250 heavy-duty package, crew cab w/165" wheelbase & Diesel	G0073631		
G0073508			R	92-96	Dakota (AN Body) 2WD
R	92-93	Ram W100-W350 (AW Body) All	G0081833		
			F	92-95	Caravan, Town & Country, Voyager (AS Body) All

SHOCKS, STRUTS & LIFTGATE SUPPORTS

MOPAR TO O.E. CROSS REFERENCE

Mopar Part Number	O.E. Part Number
G0020264	04886533AE 04897567AA
G0020727	—
G0053254	04879188AA 04895052AA MR223972 MR297999 MR455123 MR455124 MR510122
G0060012	—
G0060017	04740238 04740240 04740241 04740243 05011635AC 05011635AE 05011636AB 05011636AE 52039382AC 52039383AC 52106314AC
G0060028	—
G0060029	—
G0060039	04740244 04740245 52039319 52039319AB 52039319AC 52106311AA 52106311AB 52106311AC 52106320AA 52106320AB 52106320AC
G0060043	—
G0060052	04638190 04638190AC 04741675 04883368AC 04897412AA 04897412AD 04897413AA 04897413AD 04897414AA 04897794AA 05014730AA 05014730AB 05014732AA 05014732AB 52087776 52087840 52089057
G0060053	04886509AA 04886509AE 52087777 52087777AE
G0060062	04743127
G0060083	52004974 52004975 52004976 52004977 52037630
G0060099	83502867
G0060110	52037628 52037630
G0060111	52038559 52038559AB 52038560 52038561

Mopar Part Number	O.E. Part Number
G0060111 (Cont.)	52038562AB 52038563 52038875 52039292 52088221AB 52088235AB 52106337AA 52106337AB 52106338AA 52106368AA 52106758AC 52106759AC 52106822AD 52106927AB 52106928AB 52106929AB 52106931AB 52106955AB 52113059AA
G0060129	83502866
G0060186	52088164
G0060205	04897443AC 04897457AA 04897458AB 04897460AB 04897460AC 04897461AC 04897462AC 04897463AB 04897465AA 05017167AA 05017607AA 05017608AA 52038517 52038518 52038519 52038520 52038521 52038526
G0060206	052106080A 52038607 52038608 52038609 52038615 52038749 52039452 52039481AA 52039483AB 52039484AA 52039488AE 52039490AB 52106080AB 52106082AB 52113001AB
G0060216	04897466AA 04897466AB 05017608AC 05017609AC 05017610AC 52038724
G0060217	04897464AB 04897468AA 04897469AC 04897471AB 05017611AC 05017612AC 52038437 52038440 52038441 52038554

Mopar Part Number	O.E. Part Number
G0060218	52038435 52038525 52038536 52038609 52038615 52038616 52038626 52039486AA 52039488AA 52039490AB 52039491AA 52039491AB 52039491AE 52106381AE 52106495AB 52106496AB
G0060226	52087901 52088164 52088202 52088202AC 52088578
G0060233	04684681AB 04743225AA 04743226AA 04743413AC 04743227AA 04743224AA
G0060264	04886533AC 04886533AE 04897567AA
G0060265	52087835AB 52088651AD 52088651AF 52088651AH 52088651AJ
G0060306	04883070 04883071 04883072 04883072AB 04883073 04883073AB 04897393AA 04897393AG 04897593AB 05015442AD 05015443AD 05015445AD 05015554AC 05016355AB 05018088AA 52004971 52004972
G0060313	04883055 04883055AB 04883056 05011245AB 05011245AC 05011246AA 05011246AB 05014143AC 05014144AB 05015435AD 05015555AB 05016352AA 52004968 52004971 52038133 52038134 52038135
G0061170	52088221 52088235

Mopar Part Number	O.E. Part Number
G0067525AB	04743643
G0067526	04449626
G0067663	04616023 04616727 04782013AB 04782013AC 04782111AC 04782111AD 04782111AE 04898183AB 04898183AC
G0067664	04616022 04616726 04782012AB 04782012AC 04782110AD 04782110AE 04895182AB 04895182AC
G0067665	04582609 04755030
G0067697	04897451AA 05066336AA 05066333AA 05066333AA 05066337AA
G0067820	MB910496 MR223778
G0067856	04782250AC 04782250AD 04895000AC 04895000AE 04895001AE
G0073310	—
G0073318	—
G0073318HD	04740240 04740241
G0073508	—
G0073574	—
G0073630	52004968 52004972 52038133 52038134 52038135
G0073631	52004974 52004975 52004976 52004977 52004978 52037628
G0081833	—
G0089632	—
G0089632	04694771
G0089743	—
G0089895	04897412AA 04897412AD 04897414AA 04897414AD 52087831
G0089896	04886509AA 04886509AE 52087948 52087948AB
G0089897	—
G0089899	83502836
G0089900	83502837

MOPAR TO O.E. CROSS REFERENCE

O.E. TO MOPAR CROSS REFERENCE

O.E. Part Number	Mopar Part Number	O.E. Part Number	Mopar Part Number	O.E. Part Number	Mopar Part Number	O.E. Part Number	Mopar Part Number
—	G0020727	04895000AE	G0067856	05066334AA	G0067697	52039488AE	G0060206
—	G0060012	04895001AE	G0067856	05066336AA	G0067697	52039490AB	G0060206
—	G0060028	04895052AA	G0053254	05066337AA	G0067697	52039490AB	G0060218
—	G0060029	04895182AB	G0067664	052106080A	G0060206	52039491AA	G0060218
—	G0060043	04895182AC	G0067664	52004968	G0060313	52039491AB	G0060218
—	G0073310	04897393AA	G0060306	52004968	G0073630	52039491AE	G0060218
—	G0073318	04897393AG	G0060306	52004971	G0060306	52087776	G0060052
—	G0073508	04897412AA	G0060052	52004971	G0060313	52087777	G0060053
—	G0073574	04897412AA	G0089895	52004972	G0060306	52087777AE	G0060053
—	G0081833	04897412AD	G0060052	52004972	G0073630	52087831	G0089895
—	G0089632	04897412AD	G0089895	52004974	G0060083	52087835AB	G0060265
—	G0089743	04897412AD	G0060052	52004974	G0073631	52087840	G0060052
—	G0089897	04897413AD	G0060052	52004975	G0060083	52087901	G0060226
04449626	G0067526	04897414AA	G0060052	52004975	G0073631	52087948	G0089896
04582609	G0067665	04897414AA	G0089895	52004976	G0060083	52087948AB	G0089896
04616022	G0067664	04897414AD	G0089895	52004976	G0073631	52088164	G0060186
04616023	G0067663	04897443AC	G0060205	52004977	G0060083	52088164	G0060226
04616726	G0067664	04897451AA	G0067697	52004977	G0073631	52088202	G0060226
04616727	G0067663	04897457AA	G0060205	52037628	G0060110	52088202AC	G0060226
04638190	G0060052	04897458AB	G0060205	52037628	G0073631	52088221	G0061170
04638190AC	G0060052	04897460AB	G0060205	52037630	G0060083	52088221AB	G0060111
04684681AB	G0060233	04897460AC	G0060205	52037630	G0060110	52088235	G0061170
04694771	G0089632	04897461AC	G0060205	52038133	G0060313	52088235AB	G0060111
04740238	G0060017	048974622C	G0060205	52038133	G0073630	52088578	G0060226
04740240	G0060017	04897463AB	G0060205	52038134	G0060313	52088651AD	G0060265
04740240	G0073318HD	04897464AB	G0060217	52038134	G0073630	52088651AF	G0060265
04740241	G0060017	04897465AA	G0060205	52038135	G0060313	52088651AH	G0060265
04740241	G0073318HD	04897466AA	G0060216	52038135	G0073630	52088651AJ	G0060265
04740243	G0060017	04897466AB	G0060216	52038435	G0060218	52089057	G0060052
04740244	G0060039	04897468AA	G0060217	52038437	G0060217	52106080AB	G0060206
04740245	G0060039	04897469AC	G0060217	52038440	G0060217	52106082AB	G0060206
04741675	G0060052	04897471AB	G0060217	52038441	G0060217	52106311AA	G0060039
04743127	G0060062	04897567AA	G0020264	52038517	G0060205	52106311AB	G0060039
04743224AA	G0060233	04897567AA	G0060264	52038518	G0060205	52106311AC	G0060039
04743225AA	G0060233	04897593AB	G0060306	52038519	G0060205	52106314AC	G0060017
04743226AA	G0060233	04897794AA	G0060052	52038520	G0060205	52106320AA	G0060039
04743227AA	G0060233	04898183AB	G0067663	52038521	G0060205	52106320AB	G0060039
04743413AC	G0060233	04898183AC	G0067663	52038525	G0060218	52106320AC	G0060039
04743643	G0067525AB	05011245AB	G0060313	52038526	G0060205	52106337AA	G0060111
04755030	G0067665	05011245AC	G0060313	52038536	G0060218	52106337AB	G0060111
04782012AB	G0067664	05011246AA	G0060313	52038554	G0060217	52106338AA	G0060111
04782012AC	G0067664	05011246AB	G0060313	52038559	G0060111	52106368AA	G0060111
04782013AB	G0067663	05011635AC	G0060017	52038559AB	G0060111	52106381AE	G0060218
04782013AC	G0067663	05011635AE	G0060017	52038560	G0060111	52106495AB	G0060218
04782110AD	G0067664	05011636AB	G0060017	52038561	G0060111	52106496AB	G0060218
04782110AE	G0067664	05011636AE	G0060017	52038562AB	G0060111	52106758AC	G0060111
04782111AC	G0067663	05014143AC	G0060313	52038563	G0060111	52106759AC	G0060111
04782111AD	G0067663	05014144AB	G0060313	52038607	G0060206	52106822AD	G0060111
04782111AE	G0067663	05014730AA	G0060052	52038608	G0060206	52106927AB	G0060111
04782250AC	G0067856	05014730AB	G0060052	52038609	G0060218	52106928AB	G0060111
04782250AD	G0067856	05014732AA	G0060052	52038615	G0060206	52106929AB	G0060111
04879188AA	G0053254	05014732AB	G0060052	52038615	G0060206	52106931AB	G0060111
04883055	G0060313	05015435AD	G0060313	52038616	G0060218	52106955AB	G0060111
04883055AB	G0060313	05015442AD	G0060306	52038626	G0060218	52113001AB	G0060206
04883056	G0060313	05015443AD	G0060306	52038724	G0060216	52113059AA	G0060111
04883070	G0060306	05015445AD	G0060306	52038749	G0060206	83502836	G0089899
04883071	G0060306	05015554AC	G0060306	52038775	G0060111	83502837	G0089900
04883072	G0060306	05015555AB	G0060313	52039292	G0060111	83502866	G0060129
04883072AB	G0060306	05016352AA	G0060313	52039319	G0060039	83502867	G0060099
04883073	G0060306	05016355AB	G0060306	52039319AB	G0060039	MB910496	G0067820
04883073AB	G0060306	05017167AA	G0060205	52039319AC	G0060039	MR223778	G0067820
04883368AC	G0060052	05017607AA	G0060205	52039382AC	G0060017	MR223972	G0053254
04886509AA	G0060053	05017608AA	G0060205	52039383AC	G0060017	MR297999	G0053254
04886509AA	G0089896	05017608AC	G0060216	52039452	G0060206	MR455123	G0053254
04886509AE	G0060053	05017609AC	G0060216	52039481AA	G0060206	MR455124	G0053254
04886509AE	G0089896	05017610AC	G0060216	52039483AB	G0060206	MR510122	G0053254
04886533AC	G0060264	05017611AC	G0060217	52039484AA	G0060206		
04886533AE	G0020264	05017612AC	G0060217	52039486AA	G0060218		
04886533AE	G0060264	05018088AA	G0060306	52039488AA	G0060218		
04895000AC	G0067856	05066333AA	G0067697				

SHOCKS, STRUTS & LIFTGATE SUPPORTS

2003 SHOCK & STRUT APPLICATIONS

PASSENGER CARS

MODEL	BODY CODE	DESCRIPTION	ORIGINAL EQUIPMENT	
			FRONT	REAR
Sebring Convertible	JR	EER (SDC, ZDJ, ZTH)	04879351AA	—
Sebring Sedan Stratus Sedan	JR	Front-EER (SDD, ZAB, ZNB) Rear-SDC, SDA, SDE SDE Front-EER (SDE, ZDE, ZTD) Rear-SDD EER (SDC, ZDE, ZTD) ZCC, ZRB, SDC, SDE SDA, ZCC, ZRB	04879422AA — 04879186AA 04879338AA 04879185AA 04782758AA	04782310AA 04879188AA 04879888AA — — —
300M Concorde Intrepid LHS	LH	Front-Right Side, SDC Rear-SDC Front-Left Side, SDC Rear-SDG Front-Right Side, SDD Rear-SDD Front-Left Side, SDD Rear-SDB Front-Right Side, SDG Rear-SDE Left Side, SDG Right Side, SDB Left Side, SDB Right Side, SDE Left Side, SDE	04782012AE 04782013AE 04782110AG 04782111AG 04895182AE 04895183AE 04782778AA 04782779AA 04895560AA 04895561AA	04895000AE 04782250AD 04895001AF 04782781AA 04782667AA — — — — — —
Neon	PL	Front-SDC Rear-Left Side, SDF, SDB Front-SDK Rear-Right Side, SDF, SDB Front-SDF, SDB, SDD Rear-Right Side, SDE Front-SDE Rear-Left Side, SDK Right Side, Left Side, SDC	05272325AE 05272783AC 04656174AE 04656694AB	04656355AD 04656354AD 05272698AB 05272785AC 05272890AB
Sebring Coupe Stratus Coupe	ST	Front-Left Side, Status SE Rear-EF7 EF7, Right Side, Stratus SE Front-EY7, Left Side, Rear-EY7 EY7, Right Side	MR455121 MR455122 MR594679 MR594680	MR455124 — MR455123 —
Stratus R/T	ST	Front-EF7, Status R/T, Left Side EF7, Right Side, Stratus R/T	MR510093 MR510094	— —

MINIVANS

MODEL	BODY CODE	DESCRIPTION	ORIGINAL EQUIPMENT	
			FRONT	REAR
Pacifica	CS	All	05103294AA	04766854AB
Caravan Voyager Town & Country	RS	SDA Front-SDC, SDM Rear-SDC Front-SDC Rear-SDC, SER Front-SDA, SDM Rear-SDA, SER SDA, SER SDM, SDC, SER SDA, SER SDM, SDC SDA	05066333AA 05066334AA 05066336AA 05066337AA — — — — — —	04743226AA 04743227AA 04743233AA 04743232AA 04743231AA 04743230AA 04743229AA 04743225AA 04743224AA

TRUCKS, VANS & SPORT UTILITY VEHICLES

MODEL	BODY CODE	DESCRIPTION	ORIGINAL EQUIPMENT	
			FRONT	REAR
Ram Van	AB	Z1D, Z1E Z1D, Z1E Front-Z1F Rear-Z2F, Z2G, Z3E Front-Z2F, Z3E, Z3F Rear-Z3E, Z3F	05011636AE — 05016226AC 05011635AE	52039319AC 52106310AD 52106311AC 52106320AC
Dakota	AN	2WD Front- (SFB, Z1P, Z1Q) EVO Rear- (SGB, Z1M, Z1N) 2WD Front- (SFB, Z1R) EVO Rear- (SGB, Z1P, Z1Q) 2WD Front- (SFB, Z1R) EVO Rear- (SGB) 4WD Front- (SFB, Z5M, Z5N) EVO Rear- (SGB, Z5M, Z5N) 4WD Front- (SFB, Z5P) EVO Rear- (SGB, Z5P) 4WD Front- (SFB) Rear- (SGB) 2WD (SGB, Z1R) 2WD (SGD)	05015435AD 05016353AB 05015444AD 05015443AD 05016355AB 05015445AD — —	52038559AB 52106927AB 52106758AC 52106928AB 52106955AB 52106759AC 52106929AB 52106337AB
Durango	DN	4WD SFB 2WD 2WD Front- (EMO) Rear-EMO (SGB, Z1A, Z1D) 4WD Front- (EMO) SFB Rear-EMO (SGB, Z5A) 4WD Front- (EMO) SFC Rear-EMO (SGC)	05015554AC 05015555AB 05016352AA 04897393AG 05018088AA	— — 52106931AC 52106822AE 52113059AA
Ram Truck	DR	2WD (EKG) 2WD (EMO) 2WD 2WD (TTQ) 2WD 2WD 2WD 4WD 4WD (TTJ) 4WD 4WD 4WD (TTJ) 4WD	05072921AC 05072923AC — — — — — 05073263AB 05073264AC 05073265AB 05073261AB 05073262AB 05073263AB	— — 05211026AA-DGO 52110147AA-DBB 05211026AA-DGO 52110147AA-DBB 52110213AA 52110202AA 52110204AA-DGO 52110212AA-DBB 52110211AA 52110436AA 52110214AA 52110207AA 52110208AA 52110209AA
Liberty	KJ	Front-SDA	52088650AC	52088673AD
PT Cruiser	PT	SDC Front-SDC Rear-SDF, Mandatory SDA	04656449AC 04656459AC 04656697AC	04656439AE 04656612AE 04656678AE
Wrangler	TJ	SDA SDU	04897567AA 04886533AH	52087835AB 52088651AJ
Grand Cherokee	WJ	SDA SDU	05014730AI 05014732AE	52088221AG 52088235AD

2002 SHOCK & STRUT APPLICATIONS

PASSENGER CARS

MODEL	BODY CODE	DESCRIPTION	ORIGINAL EQUIPMENT		SVT	
			FRONT	REAR	FRONT	REAR
Sebring Convertible	JR	All	04879216AA 04879217AA	04895052AA 04895052AA	—	—
Sebring Sedan Stratus Sedan	JR	ECC, EDV EDZ EES	04879184AA 04879185AA 04879186AA	04879188AA 04895052AA 04879188AA	— — —	G0053254 G0053254 G0053254
300M Concorde Intrepid LHS	LH	SDC Right Side, Firm Feel Suspension SDC Left Side, Firm Feel Suspension SDD Right Side, Perf. Tuned SDD Left Side, Perf. Tuned SDG Right Side, Luxury Tuned SDG Left Side, Luxury Tuned	04782012AC 04782013AC 04782110AE 04782111AE 04895182AC 04898183AC	04895000AE 04895000AE 04895001AE 04895001AE 04782250AD 04782250AD	G0067664 G0067663 G0067664 G0067663 G0067664 G0067663	G0067856 G0067856 G0067856 G0067856 G0067856 G0067856
Neon	PL	SDF Right Side SDF Left Side SDE Right Side SDE Left Side SDC Right Side SDC Left Side SDK Right Side SDK Left Side	04656174AE 04656174AE 04656694AB 04656694AB 05272325AE 05272325AE 05272783AC 05272783AC	04656354AC 04656355AC 04656354AC 04656355AC 04656474AD 04656475AD 05272784AC 05272785AC	— — — — — — — —	— — — — — — — —
Sebring Coupe Stratus Coupe	ST	EY7 Left Side EY7 Right Side EF7 Left Side EF7 Right Side	MR455119 MR455120 MR455121 MR455122	MR455123 MR455123 MR455124 MR455124	— — — —	G0053254 G0053254 G0053254 G0053254
Stratus R/T	ST	EF7 Left Side EF7 Right Side	MR510093 MR510094	MR510122 MR510122	— —	G0053254 G0053254

MINIVANS

MODEL	BODY CODE	DESCRIPTION	ORIGINAL EQUIPMENT		SVT	
			FRONT	REAR	FRONT	REAR
Caravan Town & Country Voyager	RS	SDA SDB SDC SDA SDM LWB w/Load Leveling, SDA LWB w/Load Leveling, SDC AWD w/Load Leveling, AWD SWB w/Load Leveling, SDA SWB w/Load Leveling, SDC	05066333AA 05066334AA 05066336AA 05066337AA 05066333AA 05066334AA 05066336AA 05066337AA 05066337AA	04743224AA 04743225AA 04743226AA 04743227AA 04743229AA 04743230AA 04743231AA 04743232AA 04743233AA	G0067697 G0067697 G0067697 G0067697 G0067697 G0067697 G0067697 G0067697 G0067697	G0060233 G0060233 G0060233 G0060233 — — — — —

TRUCKS, VANS & SPORT UTILITY VEHICLES

MODEL	BODY CODE	DESCRIPTION	ORIGINAL EQUIPMENT		SVT	
			FRONT	REAR	FRONT	REAR
Ram Van	AB	Line 1 Body 11 51 12 13 Line 2 Body 12 13 52 53 Line 3 Body 12 13 52 53	52039382AC 52106314AC 52039383AC	52039319AC 52106311AC 52106320AC	G0060017 G0060017 G0060017	G0060039 G0060039 G0060039
Dakota	AN	2WD 2.5L 4 Cyl. 2WD 3.9L 6 Cyl. 2WD 5.9L 8 Cyl. 2WD 4.7L 8 Cyl. 4WD w/3.9L Engine 4WD w/5.2L & 5.9L Engines 4WD w/4.7L Engine 4WD SGC	05011245AC 04883055AB 05011246AB 05015435AD 05015442AD 05015443AD 05015445AD 05016355AB	52106927AB 52038559AB 52106929AB 52106337AB 52106758AC 52106928AB 52106955AB 52106759AC	G0060313 G0060313 G0060313 G0060313 G0060306 G0060306 G0060306 G0060306	G0060111 G0060111 G0060111 G0060111 G0060111 G0060111 G0060111 G0060111
Ram Truck	BR/BE	EMO EWO ETO EMO Line 3 Body 62 65 34 ETO Line 3 Body 62 65 34	05017608AC 05017609AC 05017610AC 05017611AC 05017612AC	52039488AE 52039488AA 52039490AB 52106381AE 52039491AE	G0060216 G0060216 G0060216 G0060217 G0060217	G0060218 G0060218 G0060218 G0060218 G0060218
Durango	DN	2WD w/4.7L Engine 2WD w/5.9L Engine 4WD w/4.7L Engine 4WD w/5.9L Engine, SFB 4WD w/5.9L Engine, SFC	05015555AB 05016352AA 05015554AC 04897393AG 05018088AA	52106931AC 52106931AC 52113059AA 52106822AE 52106822AE	G0060313 G0060313 G0060306 G0060306 G0060306	G0060111 G0060111 G0060111 G0060111 G0060111
Ram Truck	DR	EKO EMO EVO	05072921AC 05072923AC 05072922AC	52110042AA 52113410AA 52113227AA	— — —	— — —
Liberty	KJ	All	52088650AD	52088673AD	—	—
PT Cruiser	PT	SDA SDF SDC	04656449AD 04656459AC 04656697AC	04656439AF 04656612AE 04656439AF	— — —	— — —
Wrangler	TJ	SDA SDU	04897567AA 04886533AE	52087835AB 52088651AJ	G0060264 G0060264	G0060265 G0060265
Grand Cherokee	WJ	SDA SDU	05014730AH 05014732AD	52088221AE 52088235AB	G0060052 G0060052	G0060053 G0060053

Note: G00 series shocks and struts cannot be used for warranty.

SHOCKS, STRUTS & LIFTGATE SUPPORTS

2001 SHOCK & STRUT APPLICATIONS

PASSENGER CARS

MODEL	BODY CODE	DESCRIPTION	ORIGINAL EQUIPMENT		SVT	
			FRONT	REAR	FRONT	REAR
Sebring Convertible	JR	All	04879216AA 04879217AA	04895052AA 04895052AA	—	—
Sebring Sedan Stratus Sedan	JR	ECC, EDV EDZ EES	04879184AA 04879185AA 04879186AA	04879188AA 04895052AA 04879188AA	— — —	G0053254 G0053254 G0053254
300M Concorde Intrepid LHS	LH	SDC Right Side, Firm Feel Suspension SDC Left Side, Firm Feel Suspension SDD Right Side, Perf. Tuned SDD Left Side, Perf. Tuned SDG Right Side, Luxury Tuned SDG Left Side, Luxury Tuned	04782012AC 04782013AC 04782110AE 04782111AE 04895182AC 04898183AC	04895000AE 04895000AE 04895001AE 04895001AE 04782250AD 04782250AD	G0067664 G0067663 G0067664 G0067663 G0067664 G0067663	G0067856 G0067856 G0067856 G0067856 G0067856 G0067856
Neon	PL	SDF Right Side SDF Left Side SDE Right Side SDE Left Side SDC Right Side SDC Left Side SDK Right Side SDK Left Side	04656174AE 04656174AE 04656694AB 04656694AB 05272325AE 05272325AE 05272783AC 05272783AC	04656354AC 04656355AC 04656354AC 04656355AC 04656474AD 04656475AD 05272784AC 05272785AC	— — — — — — — —	— — — — — — — —
Sebring Coupe Stratus Coupe	ST	EY7 Left Side EY7 Right Side EF7 Left Side EF7 Right Side	MR455119 MR455120 MR455121 MR455122	MR455123 MR455123 MR455124 MR455124	— — — —	G0053254 G0053254 G0053254 G0053254
Stratus R/T	ST	EF7 Left Side EF7 Right Side	MR510093 MR510094	MR510122 MR510122	— —	G0053254 G0053254

MINIVANS

MODEL	BODY CODE	DESCRIPTION	ORIGINAL EQUIPMENT		SVT	
			FRONT	REAR	FRONT	REAR
Caravan Town & Country Voyager	RS	SDA SDB SDC SDA, SDM LWB w/Load Leveling, SDA LWB w/Load Leveling, SDC AWD w/Load Leveling, AWD SWB w/Load Leveling, SDA SWB w/Load Leveling, SDC	05066333AA 05066334AA 05066336AA 05066337AA 05066333AA 05066334AA 05066336AA 05066337AA 05066337AA	04743224AA 04743225AA 04743226AA 04743227AA 04743229AA 04743230AA 04743231AA 04743232AA 04743233AA	G0067697 G0067697 G0067697 G0067697 G0067697 G0067697 G0067697 G0067697 G0067697	G0060233 G0060233 G0060233 G0060233 — — — — —

TRUCKS, VANS & SPORT UTILITY VEHICLES

MODEL	BODY CODE	DESCRIPTION	ORIGINAL EQUIPMENT		SVT	
			FRONT	REAR	FRONT	REAR
Ram Van	AB	Line 1 Body 11 51 12 13 Line 2 Body 12 13 52 53 Line 3 Body 12 13 52 53	52039382AC 52106314AC 52039383AC	52039319AC 52106311AC 52106320AC	G0060017 G0060017 G0060017	G0060039 G0060039 G0060039
Ram Truck	BR/BE	2WD 3.9L 6 Cyl. 2WD 5.9L 8 Cyl. 2WD 5.2L EMO EWO ETO EMO Line 3 Body 62 65 34 ETO Line 3 Body 62 65 34	05017167AA 05017607AA 05017608AA 05017608AC 05017609AC 05017610AC 05017611AC 05017612AC	52106080AB 52039481AA 52113001AB 52039488AE 52039488AA 52039490AB 52106381AE 52039491AE	G0060205 G0060205 G0060205 G0060216 G0060216 G0060216 G0060217 G0060217	G0060206 G0060206 G0060206 G0060218 G0060218 G0060218 G0060218 G0060218
Dakota	AN	2WD 2.5L 4 Cyl. 2WD 3.9L 6 Cyl. 2WD 5.9L 8 Cyl. 2WD 4.7L 8 Cyl. 4WD w/3.9L Engine 4WD w/5.2L & 5.9L Engines 4WD w/4.7L Engine 4WD SGC	05011245AC 04883055AB 05011246AB 05015435AD 05015442AD 05015443AD 05015445AD 05016355AB	05210627AB 52038559AB 52106929AB 52106337AB 52106758AC 52106928AB 52106955AB 52106759AC	G0060313 G0060313 G0060313 G0060313 G0060306 G0060306 G0060306 G0060306	G0060111 G0060111 G0060111 G0060111 G0060111 G0060111 G0060111 G0060111
Durango	DN	2WD w/4.7L Engine 2WD w/5.9L Engine 4WD w/4.7L Engine 4WD w/5.9L Engine, SFB 4WD w/5.9L Engine, SFC	05015555AB 05016352AA 05015554AC 04897393AG 05018088AA	52106931AC 52106931AC 52113059AA 52106822AE 52106822AE	G0060313 G0060313 G0060306 G0060306 G0060306	G0060111 G0060111 G0060111 G0060111 G0060111
PT Cruiser	PT	SDA SDF SDC	04656449AD 04656459AC 04656697AC	04656439AF 04656612AE 04656439AF	— — —	— — —
Wrangler	TJ	SDA SDU	04897567AA 04886533AE	52087835AB 52088651AI	G0060264 G0060264	G0060265 G0060265
Grand Cherokee	WJ	SDA SDU	05014730AH 05014732AC	52088221AE 52088235AB	G0060052 G0060052	G0060053 G0060053
Cherokee	XJ	SDB SDA SDU	04897414AG 04897413AF 04897412AF	52087948AD 52087777AE 04886509AG	G0060052 G0060052 G0060052	G0060111 G0060111 G0060111

Note: G00 series shocks and struts cannot be used for warranty.

2000 SHOCK & STRUT APPLICATIONS

PASSENGER CARS

MODEL	BODY CODE	DESCRIPTION	ORIGINAL EQUIPMENT		SVT	
			FRONT	REAR	FRONT	REAR
Avenger	FJ	High Line	MB910496	MR297999	G0067820	G0053254
Sebring		Premium Line	MR223778	MR223972	G0067820	G0053254
Breeze	JA	EDZ	04764523AA	04764469AA	—	—
Cirrus		ECB	04764859AA	04764522AA	—	—
Stratus		EEB	04764872AA	04764522AA	—	—
Sebring Convertible	JX	ECB	04782264AB	0472266AA	—	—
		EEB	04782265AB	0472266AA	—	—
300M	LH	SDC Right Side, Firm Feel Suspension	04782012AC	04895000AC	G0067664	G0067856
Concorde		SDC Left Side, Firm Feel Suspension	04782013AC	04895000AC	G0067663	G0067856
Intrepid		SDD Right Side, Perf. Tuned	04782110AD	04895001AE	G0067664	G0067856
LHS		SDD Left Side, Perf. Tuned	04782111AD	04895001AE	G0067663	G0067856
		SDG Right Side, Luxury Tuned	04895182AC	04782250AC	G0067664	G0067856
		SDG Left Side, Luxury Tuned	04898183AC	04782250AC	G0067663	G0067856
Neon	PL	SDF Right Side	04656174AC	04656354AC	—	—
		SDF Left Side	04656174AC	04656355AC	—	—
		SDC Right Side	05272325AD	04656474AD	—	—
		SDC Left Side	05272325AD	04656475AD	—	—

MINIVANS

MODEL	BODY CODE	DESCRIPTION	ORIGINAL EQUIPMENT		SVT	
			FRONT	REAR	FRONT	REAR
Caravan	NS	All w/o Load Leveling	04897451AA	04684681AB	G0067697	G0060233
Town & Country		All Rear Appl. Only: Standard w/Load Leveling	04897451AA	04743412AB	G0067697	—
Voyager		Standard w/Load Leveling	04897451AA	04743411AC	G0067697	—
		Standard Suspension AWD, Standard	04897451AA	04743413AC	G0067697	—
		Heavy-Duty Suspension w/o Load Leveling	04897451AA	04684681AB	G0067697	G0060233
		AWD, Standard w/Load Leveling	04897451AA	04684682AB	G0067697	—

TRUCKS, VANS & SPORT UTILITY VEHICLES

MODEL	BODY CODE	DESCRIPTION	ORIGINAL EQUIPMENT		SVT	
			FRONT	REAR	FRONT	REAR
Ram Van	AB	Line 1 Body 11 51 12 13	05011636AE	52039319AB	G0060017	G0060039
		Line 2 Body 12 13 52 53	05011635AE	52106311AB	G0060017	G0060039
		Line 3 Body 12 13 52 53	05011635AE	52106320AB	G0060017	G0060039
Dakota	AN	2WD 2.5L 4 Cyl.	05011245AC	52106927AB	G0060313	G0060111
		2WD 3.9L 6 Cyl.	04883055AB	52038559AB	G0060313	G0060111
		2WD 5.9L 8 Cyl.	05011246AB	52106929AB	G0060313	G0060111
		2WD 4.7L 8 Cyl.	05015435AD	52106337AB	G0060313	G0060111
		4WD w/3.9L Engine	05015442AD	52106758AC	G0060306	G0060111
		4WD w/5.2L & 5.9L Engines	05015443AD	52106928AB	G0060306	G0060111
		4WD w/4.7L Engine	05015445AD	52106955AB	G0060306	G0060111
	4WD SGC	05016355AB	52106759AC	G0060306	G0060111	
Ram Truck	BR/BE	2WD 3.9L 6 Cyl.	05017167AA	52106080AB	G0060205	G0060206
		2WD 5.9L 8 Cyl.	05017607AA	52039481AA	G0060205	G0060206
		2WD 5.2L	05017608AA	52113001AB	G0060205	G0060206
		EM0	05017608AC	52039488AE	G0060216	G0060218
		EW0	05017609AC	52039488AA	G0060216	G0060218
		ET0	05017610AC	52039490AB	G0060216	G0060218
		EM0 Line 3 Body 62 65 34 ET0 Line 3 Body 62 65 34	05017611AC 05017612AC	52106381AE 52039491AE	G0060217 G0060217	G0060218 G0060218
Durango	DN	2WD w/4.7L Engine	05015555AB	52106931AB	G0060313	G0060111
		2WD w/5.9L Engine	05016352AA	52106931AB	G0060313	G0060111
		4WD w/4.7L Engine	05015554AC	52113059AA	G0060306	G0060111
		4WD w/5.9L Engine, SFB	04897393AG	52106822AD	G0060306	G0060111
		4WD w/5.9L Engine, SFC	05018088AA	52106822AD	G0060306	G0060111
Wrangler	TJ	SDA	04897567AA	52087835AB	G0060264	G0060265
		SDU	04886533AE	52088651AH	G0060264	G0060265
Cherokee	XJ	SDA	04897413AD	52087777AE	G0060052	G0060053
		SDB	04897414AD	52087948AB	G0089895	G0089896
		SDU	04897412AD	04886509AE	G0060052	G0060053
		SDU RHD	04897412AD	04886509AE	G0089895	G0089896
Grand Cherokee	WJ	SDA	05014730AB	52088221AB	G0060052	G0060111
		SDU	05014732AB	52088235AB	G0060052	G0060111

Note: G00 series shocks and struts cannot be used for warranty.

SHOCKS, STRUTS & LIFTGATE SUPPORTS

1999 SHOCK & STRUT APPLICATIONS

PASSENGER CARS

MODEL	BODY CODE	DESCRIPTION	ORIGINAL EQUIPMENT		SVT	
			FRONT	REAR	FRONT	REAR
Avenger	FJ	High Line	MB910496	MR297999	G0067820	G0053254
Sebring		Premium Line	MR223778	MR223972	G0067820	G0053254
Breeze	JA	EDZ	04764523AA	04764469AA	—	—
Cirrus		ECB	04764859AA	04764522AA	—	—
Stratus		EEB	04764872AA	04764522AA	—	—
Sebring	JX	ECB	04782264AA	0472266AA	—	—
Convertible		EEB	04782265AA	0472266AA	—	—
300M	LH	SDC Right Side, Firm Feel Suspension	04782012AB	04895000AC	G0067664	G0067856
Concorde		SDC Left Side, Firm Feel Suspension	04782013AB	04895000AC	G0067663	G0067856
Intrepid		SDD Right Side, Perf. Tuned	04782110AD	04895001AE	G0067664	G0067856
LHS		SDD Left Side, Perf. Tuned	04782111AD	04895001AE	G0067663	G0067856
		SDG Right Side, Luxury Tuned	04895182AB	04782250AC	G0067664	G0067856
		SDG Left Side, Luxury Tuned	04898183AB	04782250AC	G0067663	G0067856
Neon	PL	SDF	04626778	04656071	—	—
		SDE	04626835	04656070	—	—
		SDC	04626681	04656069	—	—

MINIVANS

MODEL	BODY CODE	DESCRIPTION	ORIGINAL EQUIPMENT		SVT	
			FRONT	REAR	FRONT	REAR
Caravan	NS	All w/o Load Leveling	04897451AA	04684681AB	G0067697	G0060233
Town & Country		All Rear Appl. Only: Standard w/Load Leveling	04897451AA	04743412AB	G0067697	—
Voyager		Standard w/Load Leveling	04897451AA	04743411AC	G0067697	—
		Standard Suspension AWD, Standard	04897451AA	04743413AC	G0067697	—
		Heavy-Duty Suspension w/o Load Leveling	04897451AA	04684681AB	G0067697	G0060233
		AWD, Standard w/Load Leveling	04897451AA	04684682AB	G0067697	—

TRUCKS, VANS & SPORT UTILITY VEHICLES

MODEL	BODY CODE	DESCRIPTION	ORIGINAL EQUIPMENT		SVT	
			FRONT	REAR	FRONT	REAR
Ram Van	AB	Line 1 Body 11 51 12 13	05011636AE	52039319AC	G0060017	G0060039
		Line 2 Body 12 13 52 53	05011635AE	52106311AC	G0060017	G0060039
		Line 3 Body 12 13 52 53	05011635AE	52106320AC	G0060017	G0060039
Dakota	AN	2 WD 2.5L 4 Cyl.	05011245AC	52106927AB	G0060313	G0060111
		2WD 3.9L 6 Cyl.	04883055AB	52038559AB	G0060313	G0060111
		2WD 5.9L 8 Cyl.	05011246AB	52106929AB	G0060313	G0060111
		2WD 4.7L 8 Cyl.	05015435AD	52106337AB	G0060313	G0060111
		4WD w/3.9L Engine	05015442AD	52106758AC	G0060306	G0060111
		4WD w/5.2L & 5.9L Engines	05015443AD	52106928AB	G0060306	G0060111
		4WD w/4.7L Engine	05015445AD	52106955AB	G0060306	G0060111
		4WD SGC	05016355AB	52106759AC	G0060306	G0060111
Ram Truck	BR/BE	2WD 3.9L 6 Cyl.	04897443AC	52106080AB	G0060205	G0060206
		2WD 5.9L 8 Cyl.	04897460AC	52039481AA	G0060205	G0060206
		2WD 5.2L	04897462AC	52039481AA	G0060205	G0060206
		2WD 8.0L	04897461AC	52113001AB	G0060205	G0060206
		2WD 5.9L Diesel	04897462AC	52039490AB	G0060205	G0060206
		4WD (Exc. 8800 GVW & Diesel)	04897466AB	52039490AB	G0060216	G0060218
		4WD (w/8800 GVW & Diesel)	04897469AC	52039491AB	G0060217	G0060218
Durango	DN	2WD w/3.9L Engine	05014143AC	52039292	G0060313	G0060111
		2WD w/5.2L & 5.9L Engines	05014144AB	52039292	G0060313	G0060111
		4WD w/3.9L, 5.2L & 5.9L Engines	04897593AB	52106368AA	G0060306	G0060111
Wrangler	TJ	SDA	04897567AA	52087835AB	G0060264	G0060265
		SDU	04886533AC	52088651AF	G0060264	G0060265
Grand Cherokee	WJ	SDA	05014730AA	52088221	G0060052	G0061170
		SDU	05014732AA	52088235	G0060052	G0061170
Cherokee	XJ	SDA	04897413AD	52087777AE	G0060052	G0060053
		SDB	04897414AD	52087948AB	G0089895	G0089896
		SDU	04897412AD	04886509AE	G0060052	G0060053
		SDU, RHD	04897412AD	04886509AE	G0089895	G0089896

Note: G00 series shocks and struts cannot be used for warranty.

1998 SHOCK & STRUT APPLICATIONS

PASSENGER CARS

MODEL	BODY CODE	DESCRIPTION	ORIGINAL EQUIPMENT		SVT	
			FRONT	REAR	FRONT	REAR
Avenger	FJ	High Line	MB910496	MR297999	—	—
Sebring		Premium Line	MR223778	MR223972	—	—
Cirrus	JA	SDC	04764222	04764225	—	—
Stratus		SDA	04764223	04764227	—	—
Sebring	JX	SDF	04626930	04626947	—	—
Convertible		SDA	04626821	04626822	—	—
		SDC	04656155	04656341	—	—
300M	LH	SDC Right Side, Firm Feel Suspension	04782012AB	04895000AC	G0067664	G0067856
Concorde		SDC Left Side, Firm Feel Suspension	04782013AB	04895000AC	G0067663	G0067856
Intrepid		SDD Right Side, Perf. Tuned	04782110AD	04895001AE	G0067664	G0067856
LHS		SDD Left Side, Perf. Tuned	04782111AC	04895001AE	G0067663	G0067856
		SDG Right Side, Luxury Tuned	04895182AB	04782250AC	G0067664	G0067856
		SDG Left Side, Luxury Tuned	04898183AB	04782250AC	G0067663	G0067856
Neon	PL	SDF	04626778	04656071	—	—
		SDE	04626835	04656070	—	—
		SDC	04626681	04656069	—	—

MINIVANS

MODEL	BODY CODE	DESCRIPTION	ORIGINAL EQUIPMENT		SVT	
			FRONT	REAR	FRONT	REAR
Caravan	NS	All w/o Load Leveling	04897451AA	04684681AB	G0067697	G0060233
Town & Country		All Rear Appl. Only: Standard w/Load Leveling	04897451AA	04743412AB	G0067697	—
Voyager		Standard w/Load Leveling	04897451AA	04743411AC	G0067697	—
		Standard Suspension AWD, Standard	04897451AA	04743413AC	G0067697	—
		Heavy-Duty Suspension w/o Load Leveling	04897451AA	04684681AB	G0067697	G0060233
		AWD, Standard w/Load Leveling	04897451AA	04684682AB	G0067697	—

TRUCKS, VANS & SPORT UTILITY VEHICLES

MODEL	BODY CODE	DESCRIPTION	ORIGINAL EQUIPMENT		SVT	
			FRONT	REAR	FRONT	REAR
Ram Van	AB	Line 1 Body 11 51 12 13	05011636AB	52039319	G0060017	G0060039
		Line 2 Body 12 13 52 53	05011635AC	52106311AA	G0060017	G0060039
		Line 3 Body 12 13 52 53	05011635AC	52106320AA	G0060017	G0060039
Dakota	AN	2WD 2.5L 4 Cyl.	05011245AB	52038559AB	G0060313	G0060111
		2WD 3.9L 6 Cyl.	04883055	52106338AA	G0060313	G0060111
		2WD ELO 8 Cyl.	04883056	52038560	G0060313	G0060111
		2WD 5.9L 8 Cyl.	05011246AA	52038562AB	G0060313	G0060111
		4WD w/3.9L Engine	04883070	52038563	G0060306	G0060111
		4WD w/5.2L & 5.9L Engines	04883071	52106337AA	G0060306	G0060111
		4WD Z5B	04883072AB	52038561	G0060306	G0060111
		4WD Z5C	04883073AB	52038561	G0060306	G0060111
Ram Truck	BR/BE	2WD Z2B	04897460AB	52039484AA	G0060205	G0060206
		2WD Z1A	04897458AB	52039481AA	G0060205	G0060206
		2WD Z3A	04897463AB	52106080AB	G0060205	G0060206
		2WD Z1B	04897457AA	52106082AB	G0060205	G0060206
		2WD Z2B	04897465AA	52039483AB	G0060205	G0060206
		4WD Z6A	04897466AA	52106495AB	G0060216	G0060218
		4WD Z7B	04897468AA	52106496AB	G0060217	G0060218
		4WD Z3B	04897471AB	52039486AA	G0060217	G0060218
		4WD Z7B, Z8A	04897464AB	52039488AA	G0060217	G0060218
		4WD R8 Diesel	04897464AB	52039491AA	G0060217	G0060218
Durango	DN	4WD w/3.9L, 5.2L & 5.9L Engines	04897393AA	52038875	G0060306	G0060111
Wrangler	TJ	SDA	04897567AA	52087835AB	G0060264	G0060265
		SDU	04886533AC	52088651AD	G0060264	G0060265
Cherokee	XJ	SDA	04897413AA	52087777	G0060052	G0060053
		SDB	04897414AA	52087948	G0089895	G0089896
		SDU	04897412AA	04886509AA	G0060052	G0060053
		SDU, RHD	04897412AA	04886509AA	G0089895	G0089896
Grand Cherokee	ZJ	Standard Suspension (SDA) 4.0L	04897794AA	52088578	G0060052	G0060226
		Standard Suspension (SDA) 5.2L	04638190AC	52088202AC	G0060052	G0060226
		Up Country Suspension	04741675	52088202	G0060052	G0060226

Note: G00 series shocks and struts cannot be used for warranty.

SHOCKS, STRUTS & LIFTGATE SUPPORTS

1997 SHOCK & STRUT APPLICATIONS

PASSENGER CARS

MODEL	BODY CODE	DESCRIPTION	ORIGINAL EQUIPMENT		SVT	
			FRONT	REAR	FRONT	REAR
Avenger	FJ	High Line	MB910496	MR297999	G0067820	G0053254
Sebring		Premium Line	MR223778	MR223972	G0067820	G0053254
Cirrus	JA	SDC	04764222	04764225	—	—
Stratus		SDA	04764223	04764227	—	—
Sebring	JX	SDF	04626930	04626947	—	—
Convertible		SDA	04626821	04626822	—	—
		SDC	04656155	04656341	—	—
Concorde	LH	SDC Right Side	04616022	04582609	G0067664	G0067665
Intrepid		SDC Left Side	04616023	04582609	G0067663	G0067665
LHS		SDE Right Side	04616726	04755030	G0067664	G0067665
New Yorker		SDE Left Side	04616727	04755030	G0067663	G0067665
Neon	PL	SDF	04626778	04656071	—	—
		SDE	04626835	04656070	—	—
		SDC	04626681	04656069	—	—

MINIVANS

MODEL	BODY CODE	DESCRIPTION	ORIGINAL EQUIPMENT		SVT	
			FRONT	REAR	FRONT	REAR
Caravan	NS	All w/o Load Leveling	04897451AA	04684681AB	G0067697	G0060233
Town & Country		All Rear Appl. Only: Standard w/Load Leveling	04897451AA	04743412AB	G0067697	—
Voyager		Standard w/Load Leveling	04897451AA	04743411AC	G0067697	—
		Standard Suspension AWD, Standard	04897451AA	04743413AC	G0067697	—
		Heavy-Duty Suspension w/o Load Leveling	04897451AA	04684681AB	G0067697	G0060233
		AWD, Standard w/Load Leveling	04897451AA	04684682AB	G0067697	—

TRUCKS, VANS & SPORT UTILITY VEHICLES

MODEL	BODY CODE	DESCRIPTION	ORIGINAL EQUIPMENT		SVT	
			FRONT	REAR	FRONT	REAR
Ram Van	AB	DJB, SFB	04740238	04740244	G0060017	G0060039
		DJE, SFB	04740243	04740244	G0060017	G0060039
Dakota	AN	2WD 2.5L 4 Cyl.	04883055	52038559	G0060313	G0060111
		2WD 3.9L 6 Cyl.	04883055	52038560	G0060313	G0060111
		2WD 5.9L 8 Cyl.	04883056	52038563	G0060313	G0060111
		4WD w/3.9L Engine Z5A	04883070	52038561	G0060306	G0060111
		4WD w/5.2L & 5.9L Engines Z5A	04883071	52038562AB	G0060306	G0060111
		4WD w/3.9L Engine Z5B	04883072	52038561	G0060306	G0060111
		4WD w/5.2L & 5.9L Engines Z5B	04883073	52038562AB	G0060306	G0060111
Ram Truck	BR	2WD 3.9L	52038518	52038607	G0060205	G0060206
		2WD 5.2L, 5.9L	52038517	52039452	G0060205	G0060206
		2WD 5.2L, 5.9L 7500GVW	52038520	52038749	G0060205	G0060206
		2WD 8.0L	52038521	52038749	G0060205	G0060206
		2WD 5.9L Diesel	52038526	52038749	G0060205	G0060206
		4WD R6	52038724	52038615	G0060216	G0060218
		4WD R7 Z7A, GVW	52038437	52038609	G0060217	G0060218
		4WD R7 Z7B, GVW	52038440	52038435	G0060217	G0060218
		4WD R8 Gas	52038441	52038536	G0060217	G0060218
		4WD R8 Diesel	52038554	52038525	G0060217	G0060218
Wrangler	TJ	SDA	04897567AA	52087835AB	G0020264	G0060265
		SDU	04886533AE	52088651A1	G0020264	G0060265
Cherokee	XJ	SDA	04897413AA	52087777	G0060052	G0060053
		SDB	04897414AA	52087948	G0060052	G0089896
		SDU	04897412AA	04886509AA	G0060052	G0060053
		SDU, RHD	04897412AA	04886509AA	G0089895	G0089896
Grand Cherokee	ZJ	Standard Suspension (SDA) 4.0L	04897794AA	52088578	G0060052	G0060226
		Standard Suspension (SDA) 5.2L	04883368AC	52088202AC	G0060052	G0060226
		Up Country Suspension	04741675	52088202	G0060052	G0060226

Note: G00 series shocks and struts cannot be used for warranty.

1996 SHOCK & STRUT APPLICATIONS

PASSENGER CARS

MODEL	BODY CODE	DESCRIPTION	ORIGINAL EQUIPMENT		SVT	
			FRONT	REAR	FRONT	REAR
Avenger	FJ	High Line	MB910496	MB948117	—	—
Sebring		Premium Line	MB910497	MB948117	—	—
Breeze	JA	Standard Suspension (SDA)	04764223	04764227	—	—
Cirrus		Firm Suspension (SDC)	04764222	04764225	—	—
Sebring	JX	SDF	04626930	04626947	—	—
Convertible		SDA	04626821	04626822	—	—
		SDC	04656155	04656341	—	—
Concorde	LH	SDC Right Side	04616022	04582609	G0067664	G0067665
Intrepid		SDC Left Side	04616023	04582609	G0067663	G0067665
LHS		SDE Right Side	04616726	04755030	G0067664	G0067665
New Yorker		SDE Left Side	04616727	04755030	G0067663	G0067665
Neon	PL	SDK	04626858	04626894	—	—
		SDE	04626835	04626836	—	—
		SDC	04626681	04626847	—	—
		SDA	04626180	04626847	—	—

MINIVANS

MODEL	BODY CODE	DESCRIPTION	ORIGINAL EQUIPMENT		SVT	
			FRONT	REAR	FRONT	REAR
Caravan	NS	All w/o Load Leveling	04897451AA	04684681AB	G0067697	G0060233
Town & Country		All Rear Appl. Only: Standard w/Load Leveling	04897451AA	04743412AB	G0067697	—
Voyager		Standard w/Load Leveling	04897451AA	04743411AC	G0067697	—
		Standard Suspension AWD, Standard	04897451AA	04743413AC	G0067697	G0060233
		Heavy-Duty Suspension w/o Load Leveling	04897451AA	04684681AB	G0067697	—
		AWD, Standard w/Load Leveling	04897451AA	04684682AB	G0067697	—

TRUCKS, VANS & SPORT UTILITY VEHICLES

MODEL	BODY CODE	DESCRIPTION	ORIGINAL EQUIPMENT		SVT	
			FRONT	REAR	FRONT	REAR
Ram Van	AB	B 1,2 Standard	04740240	04740245	G0060017, G0073318HD	G0060039
		B2 6400GVW	04740241	04740247	G0060017, G0073318HD	—
Dakota	AN	2WD SFA 2.5L, 3.9L	52004968	52004975	G0060313, G0073630	G0060083, G0073631
		2WD SFA 5.2L	52038134	52004976	G0060313, G0073630	G0060083, G0073631
		2WD SFB 2.5L, 3.9L	52038133	52004974	G0060313, G0073630	G0060083, G0073631
		2WD SFB 5.2L	52038135	52004977	G0060313, G0073630	G0060083, G0073631
		4WD SFA	52004971	52037630	G0060306	G0060110
		4WD SFB	52004972	52037628	G0060306	G0060110
Ram Truck	BR	2WD 3.9L	52038518	52038607	G0060205	G0060206
		2WD 5.2L, 5.9L	52038517	52038608	G0060205	G0060206
		2WD 5.2L, 5.9L 7500GVW	52038519	52038608	G0060205	G0060206
		2WD 8.0L	52038521	52038609	G0060205	G0060206
		2WD 5.9L Diesel	52038526	52038615	G0060205	G0060206
		4WD R6	52038724	52038435	G0060216	G0060218
		4WD R7 Z7A, GVW	52038437	52038536	G0060217	G0060218
		4WD R7 Z7B, GVW	52038440	52038616	G0060217	G0060218
		4WD R8 Gas	52038441	52038525	G0060217	G0060218
		4WD R8 Diesel	52038554	52038626	G0060217	G0060218
Cherokee	XJ	SFA Standard Suspension	52087776	52087777	G0060052	G0060053
Wagoneer		SFE w/Heavy-Duty Suspension	52087831	52087948	G0089895	G0089896
Grand Cherokee	ZJ	Standard Suspension (SDA) 4.0L	52087840	52088164	G0060052	G0060226
		Standard Suspension (SDA) 5.2L	52089057	52088164	G0060052	G0060226
		Up Country Suspension	04741675	52088202	G0060052	G0060226

Note: G00 series shocks and struts cannot be used for warranty.

SHOCKS, STRUTS & LIFTGATE SUPPORTS

1995 SHOCK & STRUT APPLICATIONS

PASSENGER CARS

MODEL	BODY CODE	DESCRIPTION	ORIGINAL EQUIPMENT		SVT	
			FRONT	REAR	FRONT	REAR
Acclaim Lebaron Spirit	AA	All	04449626	04694771	G0067526	G0089632
Avenger Sebring	FJ	High Line Premium Line	MB910496 MB910497	MB948117 MB948117	— —	— —
Breeze Cirrus Stratus	JA	Standard Suspension (SDA) Firm Suspension (SDC)	04616971 04695933	04695937 04695927	— —	— —
Concorde Intrepid LHS New Yorker	LH	SDC Right Side SDC Left Side SDE Right Side SDE Left Side	04616022 04616023 04616726 04616727	04582609 04582609 04755030 04755030	G0067664 G0067663 G0067664 G0067663	G0067665 G0067665 G0067665 G0067665
Neon	PL	SDK SDE SDC SDA	04626858 04626835 04626681 04626180	04626894 04626836 04626847 04626847	— — — —	— — — —

MINIVANS

MODEL	BODY CODE	DESCRIPTION	ORIGINAL EQUIPMENT		SVT	
			FRONT	REAR	FRONT	REAR
Caravan Town & Country Voyager	AS	All	04743643	04743127	G0067525AB	G0060062 G0089897

TRUCKS, VANS & SPORT UTILITY VEHICLES

MODEL	BODY CODE	DESCRIPTION	ORIGINAL EQUIPMENT		SVT	
			FRONT	REAR	FRONT	REAR
Ram Van	AB	B 1,2 Standard B2 6400GVW	04740240 04740241	04740245 04740244	G0060017 G0073318HD	G0060039 G0060039
Dakota	AN	2WD SFA 2.5L, 3.9L 2WD SFA 5.2L 2WD SFB 2.5L, 3.9L 2WD SFB 5.2L 4WD SFA 4WD SFB	52004968 52038134 52038133 52038135 52004971 52004972	52004975 52004976 52004974 52004977 52037630 52037628	G0060313 G0073630 G0060313 G0073630 G0060313 G0073630 G0060313 G0073630 G0060306 G0060306	G0060083 G0073631 G0060083 G0073631 G0060083 G0073631 G0060083 G0073631 G0060110 G0060110
Ram Truck	BR	2WD 3.9L 2WD 5.2L, 5.9L 2WD 5.2L, 5.9L 7500GVW 2WD 8.0L 2WD 5.9L Diesel 4WD R6 4WD R7, Z7A, GVW 4WD R7, Z7B, GVW 4WD R8 Gas 4WD R8 Diesel	52038518 52038517 52038519 52038521 52038526 52038724 52038437 52038440 52038441 52038554	— — — — — — — — — —	G0060205 G0060205 G0060205 G0060205 G0060205 G0060216 G0060217 G0060217 G0060217 G0060217	G0060206 G0060206 G0060206 G0060206 G0060206 G0060218 G0060218 G0060218 G0060218 G0060218
Cherokee Wagoneer	XJ	SFA Standard Suspension SFE w/Heavy-Duty Suspension	52087776 52087831	52087777 52087948	G0060052 G0089895	G0060053 G0089896
Wrangler	YJ	SFA Standard Suspension SFB w/Heavy-Duty Suspension	83502866 83502836	83502867 83502837	G0060129 G0089899	G0060099 G0089900
Grand Cherokee	ZJ	Standard Suspension (SDA) 4.0L Standard Suspension (SDA) 5.2L Up Country Suspension	52087840 52089057 04741675	52087901 52087901 52088202	G0060052 G0060052 G0060052	G0060226 G0060226 G0060226

Note: G00 series shocks and struts cannot be used for warranty.

1994 SHOCK & STRUT APPLICATIONS

PASSENGER CARS

MODEL	BODY CODE	DESCRIPTION	SVT		HEAVY-DUTY GAS CHARGED	
			FRONT	REAR	FRONT	REAR
Acclaim LeBaron Spirit	AA	All	G0067526	G0089632	—	—
Dynasty	AC	All (Exc. Self Leveling System)	G0067526	G0089743	—	—
Daytona	AG	All (Exc. Shelby)	G0067526	G0089632	—	—
Shadow Sundance	AP	All	G0067526	G0089632	—	—
Concorde Intrepid LHS New Yorker Vision	LH	All Right Side All Left Side	G0067664 G0067663	G0067665 G0067665	— —	— —
Neon	PL	All Standard Suspension (SDA) Firm Suspension (SDC) Sport Suspension (SDE)	— — —	— — —	04626180 04626681 04626835	04626992 04656069 04656070

MINIVANS

MODEL	BODY CODE	DESCRIPTION	SVT		HEAVY-DUTY GAS CHARGED	
			FRONT	REAR	FRONT	REAR
Caravan Town & Country Voyager	AS	All	G0067525AB	G0060062	G0081833	G0020727

TRUCKS, VANS & SPORT UTILITY VEHICLES

MODEL	BODY CODE	DESCRIPTION	SVT		HEAVY-DUTY GAS/GAS PLUS CHARGED	
			FRONT	REAR	FRONT	REAR
Ram Van	AB	All (Exc. B-350 w/4000 lb. Front Axle)	G0060017	G0060039	G0073318	G0073574
Dakota	AN	2WD	G0060313	G0060083	G0073630	G0073631
		4WD	G0060306	G0060110	—	—
Ram Truck	BR	2WD	G0060205	G0060206	—	—
		4WD (Exc. 8800 GVW & Diesel)	G0060216	G0060206	—	—
		4WD (w/8800 GVW & Diesel)	G0060217	G0060218	—	—
Cherokee Wagoneer	XJ	All	G0060052	G0060053	—	—
Wrangler	YJ	All	G0060129	G0060099	—	—
Grand Cherokee	ZJ	All Standard Suspension	G0060052	G0060186	04638190	52088164

Note: G00 series shocks and struts cannot be used for warranty.

SHOCKS, STRUTS & LIFTGATE SUPPORTS

1993 SHOCK & STRUT APPLICATIONS

PASSENGER CARS

MODEL	BODY CODE	DESCRIPTION	SVT		HEAVY-DUTY GAS CHARGED	
			FRONT	REAR	FRONT	REAR
Acclaim Spirit	AA	All	G0067526	G0089632	—	—
Dynasty	AC	All (Exc. Self Leveling System)	G0067526	G0089743	—	—
Landau (FWD) New Yorker Salon	AC	All (Exc. Self-Leveling System)	G0067526	G0089632	—	—
Daytona LeBaron	AG	All	G0067526	G0089632	—	—
Shadow Sundance	AP	All	G0067526	G0089632	—	—
Fifth Avenue Imperial	AY	All (Exc. Self Leveling System)	G0067526	G0089632	—	—
Concorde Intrepid Vision	LH	All Right Side All Left Side	G0067664 G0067663	G0067665 G0067665	— —	— —

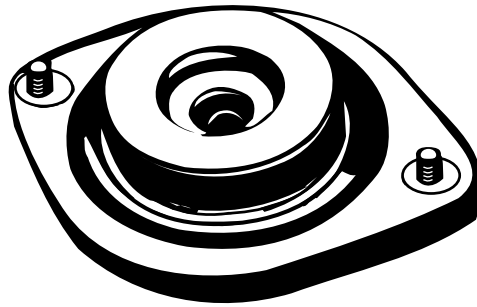
MINIVANS

MODEL	BODY CODE	DESCRIPTION	SVT		HEAVY-DUTY GAS CHARGED	
			FRONT	REAR	FRONT	REAR
Caravan Town & Country Voyager	AS	All	G0067525AB	G0060062	G0081833	G0020727

TRUCKS, VANS & SPORT UTILITY VEHICLES

MODEL	BODY CODE	DESCRIPTION	SVT		HEAVY-DUTY GAS/GAS PLUS CHARGED	
			FRONT	REAR	FRONT	REAR
Ram Van	AB	All (Exc. B-350 w/4000 lb. Front Axle)	G0060017	G0060039	G0073318	G0073574
Ram D100-D250	AD	All (Exc. D-200 & D-250 Heavy-Duty Package, Crew Cab w/165 Wheelbase & Diesel)	G0060017	G0060012	G0073318	G0073310
Dakota	AN	2WD	G0060313	G0060083	G0073630	G0073631
		4WD	G0060306	G0060110	—	—
Ram W100-W350	AW	All	G0060028	G0060029	—	G0073508
BF-300	BF	All (Exc. w/4000 lb. Front Axle)	G0060017	G0060039	G0073318	G0073574
BF-350		w/4000 lb. Front Axle	G0060043	G0060039	—	G0073574
MB-300	MB	All (Exc. w/4000 lb. Front Axle)	G0060017	G0060039	G0073318	G0073574
MB-350		w/4000 lb. Front Axle	G0060043	G0060039	—	G0073574
Cherokee Wagoneer	XJ	All	G0060052	G0060053	—	—
Wrangler	YJ	All	G0060129	G0060099	—	—
Grand Cherokee	ZJ	All Standard Suspension	G0060052	G0060186	04638190	52088164

Note: G00 series shocks and struts cannot be used for warranty.



MYI / MYO	Application	Description	Part Number
02-03	KJ Body - Liberty (Right Side - Upper)	Front Shock Mount	52128532AA
02-03	KJ Body - Liberty (Left Side - Upper)	Front Shock Mount	52128533AA
01-03	RS Body - Caravan, Town & Country, Voyager	Front Strut Mount	04766116AA
00-03	PL Body - Neon	Front Strut Mount	05272226
98-03	LH Body - 300M, Intrepid, Concorde (Right Side)	Front Strut Mount	04782018AB
98-03	LH Body - 300M, Intrepid, Concorde (Left Side)	Front Strut Mount	04782019AB
97-99	PL Body - Neon	Front Strut Mount	04626100AB
96-00	NS Body - Caravan, Town & Country, Voyager	Front Strut Mount	04694870
95-00	JA, JX Bodies - Breeze, Stratus, Sebring (Rear)	Rear Strut Mount	04695766
95-99	PL Body - Neon (Rear Upper)	Rear Strut Mount	04626182
93-97	LH Body - Intrepid, Concorde (Right Side)	Front Strut Mount	04582758
93-97	LH Body - Intrepid, Concorde (Left Side)	Front Strut Mount	04582759
89-95	AA Body - Acclaim, LeBaron Sedan, Spirit	Strut Bearing	04684643
88-92	BB Body - Premier, Monaco	Front Strut Damper	05272048
88-91	AC Body - Dynasty, New Yorker	Strut Bearing	04684643
86-95	AJ Body - LeBaron Coupe, LeBaron Convertible	Strut Bearing	04684643
86-94	AP Body - Shadow, Sundance	Strut Bearing	04684643
84-95	AS Body - Caravan, Town & Country, Voyager	Strut Bearing	04684643
84-85	E, G, H, K, P, Bodies	Front Strut Mount	04322298

Note: New applications are highlighted.

SHOCKS, STRUTS & LIFTGATE SUPPORTS

LIFTGATE SUPPORT APPLICATIONS

PASSENGER CARS

MYI/MYO	MODEL	BODY CODE	DESCRIPTION	PART NUMBER
84-93	Daytona, Laser	AG	Liftgate	G0004712
86-95	Shadow, Sundance	AP	Liftgate	G0004449
77-88	Eagle	BB	Liftgate	G0004403
85-89	LeBaron GTS, Lancer	H	Liftgate	G0004436
95-00	Breeze, Cirrus, Stratus	JA	Decklid	04814200
01-04	Sebring	JR-27	Decklid	04878430AB
01-04	Stratus, Sebring	JR-41	Decklid	04814200AD
96-00	Sebring	JX-27	Decklid	04783045AB
81-88	Aries, Reliant	K	Liftgate	G0004442
78-90	Horizon, Omni	L	Liftgate 4-door	G0004618
80-87	Horizon, Omni	L	Liftgate 2-door	G0004400
98-04	300M	LH	Decklid	04575666AE
98-04	300M, Intrepid	LH	Hood - Right Side	04580770AE
98-04	300M, Intrepid	LH	Hood - Left Side	04580771AE
98-04	Concorde	LH	Decklid	04575629AC
98-04	Concorde, LHS	LH	Hood - Right Side	04580772AD
98-04	Concorde, LHS	LH	Hood - Left Side	04580773AD
98-04	Intrepid	LH	Decklid	04756959AC
93-97	Concorde, Intrepid, Vision	LH	Hood	G0004468

MINIVANS

MYI/MYO	MODEL	BODY CODE	DESCRIPTION	PART NUMBER
84-92	Caravan, Town & Country, Voyager	AS	Liftgate	G0004775
91-95	Caravan, Town & Country, Voyager	AS	Liftgate	G0004837
96-00	Caravan, Town & Country, Voyager	NS	Liftgate	G0004532
01-03	Caravan, Town & Country, Voyager	RS	Liftgate	04894554AC

TRUCKS, VANS & SPORT UTILITY VEHICLES

MYI/MYO	MODEL	BODY CODE	DESCRIPTION	PART NUMBER
81-90	Ram Charger	AD	Liftgate	G0004715
91-93	Ram Charger	AD	Liftgate	G0004772
98-03	Durango	DN	Liftgate	55256444AC
02-04	Liberty	KJ	Liftgate Glass	55360171AB
97-04	Wrangler	TJ	Rear Window	55076310AB
99-04	Grand Cherokee	WJ	Flipper Glass (Replace in pairs)	55136965AA*
99-04	Grand Cherokee	WJ	Right Side	55137022AB*
99-04	Grand Cherokee	WJ	Left Side	55137023AB*
84-94	Cherokee	XJ	Liftgate (Replace in pairs)	G0004782
95-96	Cherokee	XJ	Liftgate (Replace in pairs)	G0004296
97-01	Cherokee	XJ	Liftgate	55076208AB
87-95	Wrangler	YJ	Rear Window	G0004761
92-95	Grand Cherokee	ZJ	Liftgate - Right Side	G0004856
92-95	Grand Cherokee	ZJ	Liftgate - Left Side	G0004857
94-98	Grand Cherokee	ZJ	Flipper Glass	55076210

*1999 Grand Cherokee only must also replace entire liftgate glass assembly.

Note: New applications are highlighted.



Mopar Liftgate Supports are custom engineered and manufactured to original equipment specifications to provide smooth, long-lasting performance.

HEAVY GAUGE STEEL BODY is electrostatically painted and heat cured to original equipment specifications.

PATENTED TEMPERATURE COMPENSATION MODULE valve ensures consistent operation even in extreme weather conditions by compensating for normal gas pressure changes caused by temperature variations.

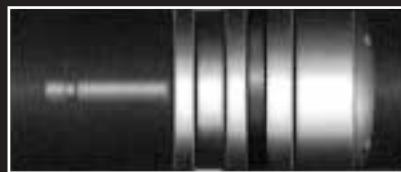
SELF CLEANING PISTON ASSEMBLY automatically opens during each compression cycle to keep orifice clear of fluid contaminants and provide smoother operation and more reliable performance.

RUBBER O-RING PISTON SEAL – the most effective type of hydraulic seal – helps prevent fluid leakage around the piston, forcing the fluid to pass efficiently through piston valving components, providing controlled lift and consistent performance.

TEFLON® BACK-UP RING – enhances performance through improved oil and pressure gas sealing.

METALLIC UPPER BRUSHING – is manufactured with bearing quality precision to provide exact fit with piston rod and promote longer operating life.

HARDENED CHROMIUM PLATED STEEL SHAFT – is precision ground and polished for superior corrosion resistance and leak-free sealing.



PATENTED TEMPERATURE COMPENSATION MODULE (TCM) valve remains closed at temperatures above 40 degrees and prevents expansion of a portion of the compressed gas within the spring. When the temperature drops below 20 degrees, the valve opens to allow expansion of gas within the tube. This valve makes it possible for the extended force to increase at the TCM valve opening temperature.



Other VALUE LINE Products

- Batteries
- Belts & Hoses
- Brakes
- Exhaust
- Filters
- Lighting
- **Shocks, Struts & Liftgate Supports**
- Spark Plugs
- Wiper Blades



Visit us today at
www.mopar.com for more information.

